

VIN PLATE DECODING INFORMATION

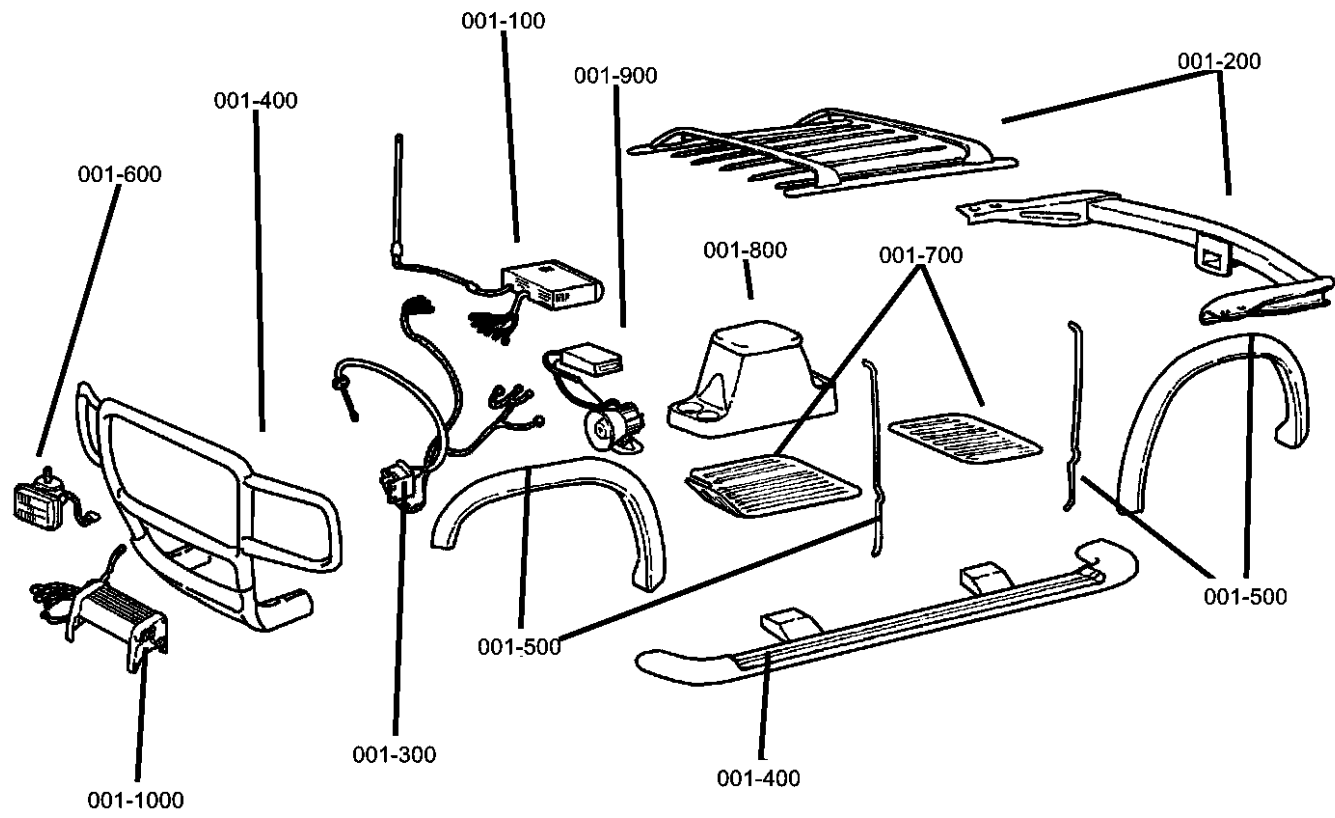
1	2	3	4	5	6	7	8	9	10	11	12 thru 17
Country	Make	Vehicle Type	Other	Line	Series	Body Style	Engine	Check Digit	Model Year	Assy. Plant	Sequence No.


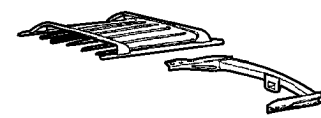

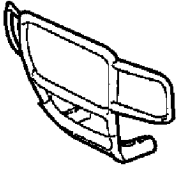
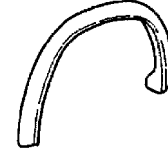



The following table interprets the VIN Plate position shown above.

Position	Interpretation	Codes = Description
1	Country of Origin	1 = Built in U.S. by DaimlerChrysler Corporation
2	Assembler	J = Jeep
3	Vehicle Type	4 = Multipurpose Passenger Vehicle Less Side Air Bags
4	GVWR & Pass. Safety	E = 1361-1814 kg (3001-4000 lbs) F = 1814-2267 kg (4001-5000 lbs) G = 2268-2721 kg (5001-6000 lbs) H = 2722-3175 kg (6001-7000 lbs) J = 3176-3628 kg (7001-8000 lbs) K = 3629-4082 kg (8001-9000 lbs) L = 4083-4535 kg (9001-10000 lbs) M = 4536-6350 kg (10001-14000 lbs)
5	Vehicle Line	K = Liberty 4x2 Left Hand Drive L = Liberty/Cherokee 4x4 Left Hand Drive M = Liberty/Cherokee 4x4 Right Hand Drive
6	Series	4 = H Series - Liberty/Cherokee Sport 3 = M Series - Liberty Renegade 5 = P Series - Liberty/Cherokee Limited
7	Body Style	8 = KJ - 74
8	Engine	1 = 2.4L I4 Cyl. Gas DOHC (ED1) 7 = 2.5L I4 Cyl. 16V Turbo Diesel (ENJ) 5 = 2.8L I4 Cyl. 16V Turbo Diesel (ENR) K = 3.7L V6 Cyl. Gas (EKG)
9	Check Digit	0 = Check Digit 0 = Check Digit
10	Model Year	2 = 2002 3 = 2003 3 = 2003
11	Assembly Plant	L = Toledo North Assembly
12 thru 17	Vehicle Build Sequence	Model Year Assembly Sequence

Group - 1

Component Parts for Mopar Accessories

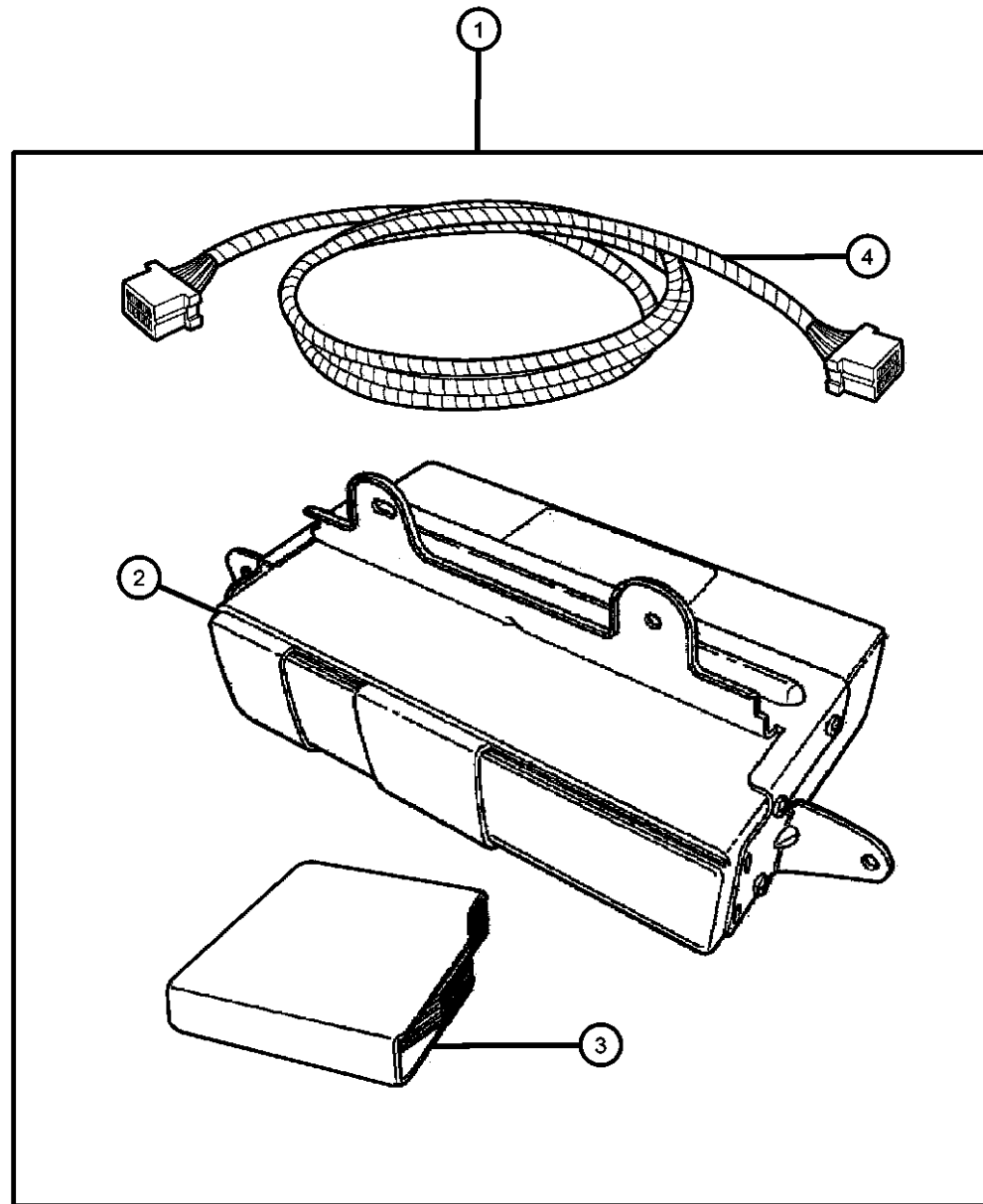


<p>001-100 Audio & Electronics</p> 	<p>001-200 Carriers & Cargo Hauling</p> 	<p>001-300 Driving Convenience</p> 	<p>001-400 Exterior Appearance</p> 
<p>001-500 Exterior Protection</p> 	<p>001-600 Fog Lights & Electrical</p> 	<p>001-800 Interior Storage</p> 	<p>001-900 Security</p> 

Group - 1 Component Parts for Mopar Accessories

Illustration Title	Group-Fig. No.
Audio & Electronics	
Player Kit - CD Changer	Fig. 1 - 110
Satellite Receiver Kit	Fig. 1 - 120
Install Kit - Sattelite Receiver Without CD Changer	Fig. 1 - 130
Install Kit - Satellite Receiver With CD	Fig. 1 - 135
Carriers & Cargo Hauling	
Bike Carrier - Roof - Fork Mount	Fig. 1 - 210
Bike Carrier - Roof - Upright Mount	Fig. 1 - 215
Bike Carrier - Spare Tire Mount	Fig. 1 - 220
Carrier Kit - Canoe	Fig. 1 - 225
Carrier Kit - Water Sports	Fig. 1 - 230
Ski Carrier - Spare Tire Mount	Fig. 1 - 235
Ski Carrier - Roof Mount	Fig. 1 - 240
Luggage Carrier - Roof - Hard Style	Fig. 1 - 245
Luggage Carrier - Roof - Vinyl	Fig. 1 - 250
Rack Kit - Sport Utility	Fig. 1 - 255
Wiring Kit - Trailer Tow - 4 Way	Fig. 1 - 260
Wiring Kit - Trailer Tow - 7 Way	Fig. 1 - 265
Fan Kit - Engine	Fig. 1 - 270
Driving Convenience	
Hands Free Kit/Cellular Phone Blue Tooth	Fig. 1 - 320
Exterior Appearance	
Running Board Kit	Fig. 1 - 410
Wheel Kit	Fig. 1 - 415
Decor Kit Bodyside	Fig. 1 - 420
Exterior Protection	
Skid Plate - Transfer Case	Fig. 1 - 510
Skid Plate - Fuel Tank	Fig. 1 - 515
Deflector Kit - Air Front	Fig. 1 - 520
Fog Lights & Electrical	
Light Kit - Fog	Fig. 1 - 610
Light Bar Roof	Fig. 1 - 615
Heater Kit	Fig. 1 - 620
Hands Free Kit - Cellular Phone - Blue Tooth	Fig. 1 - 625
Interior Storage	
Guard Kit - Dog	Fig. 1 - 810
Security	
Alarm - EVS II Base System	Fig. 1 - 910
Alarm - EVS II Plus System	Fig. 1 - 915

Player Kit - CD Changer
Figure 1-110



ITEM	PART NUMBER	QTY	LINE	SERIES	BODY	ENGINE	TRANS	TRIM	DESCRIPTION
------	-------------	-----	------	--------	------	--------	-------	------	-------------

Note; For Warranty Repair On Item 2, Order Through [GPOP] Function 11, Using Z Prefix

1	82208269	1			74				PLAYER KIT, CD Changer - 6 Disc
2	56038616AA	1			74				CHANGER, CD
3	04797433	1							MAGAZINE, CD Changer
4	05073243AB	1			74				CABLE, CD Changer

LIBERTY (KJ)

SERIES

P = Limited
H = Sport
M = Renegade

LINE

J = LHD (4WD)
U = RHD (4WD)
T = LHD (2WD)

BODY

74 = 4 Door (104.3 WB)

ENGINE

ED1 = Engine - 2.4L 4 Cyl
DOHC 16v SMPI
EKG = Engine - 3.7L V6
ENJ = Engine -2.5L 4 Cyl 16V
Turbo Diesel
ENR = Engine - 2.8L 4 Cyl
Turbo Diesel
ENO = 4Cyl Turbo Diesel
EK0 = All 3.7L
ED0 = All 2.4L

TRANSMISSION

DDD = Transmission - 5-Speed HD
Manual
DDK = Transmission - 5-Speed HD
Manual
DG4 = Transmission-Multi-Speed
Auto, 45RFE
DG6 = Transmission-4-Spd.
Automatic, 42RLE
DGQ = Transmission-5-Spd Automatic
5-45RFE
DBB = All Manual Transmissions
DG0 = All Automatic Transmissions

AR = use ase required - = Non illustrated part

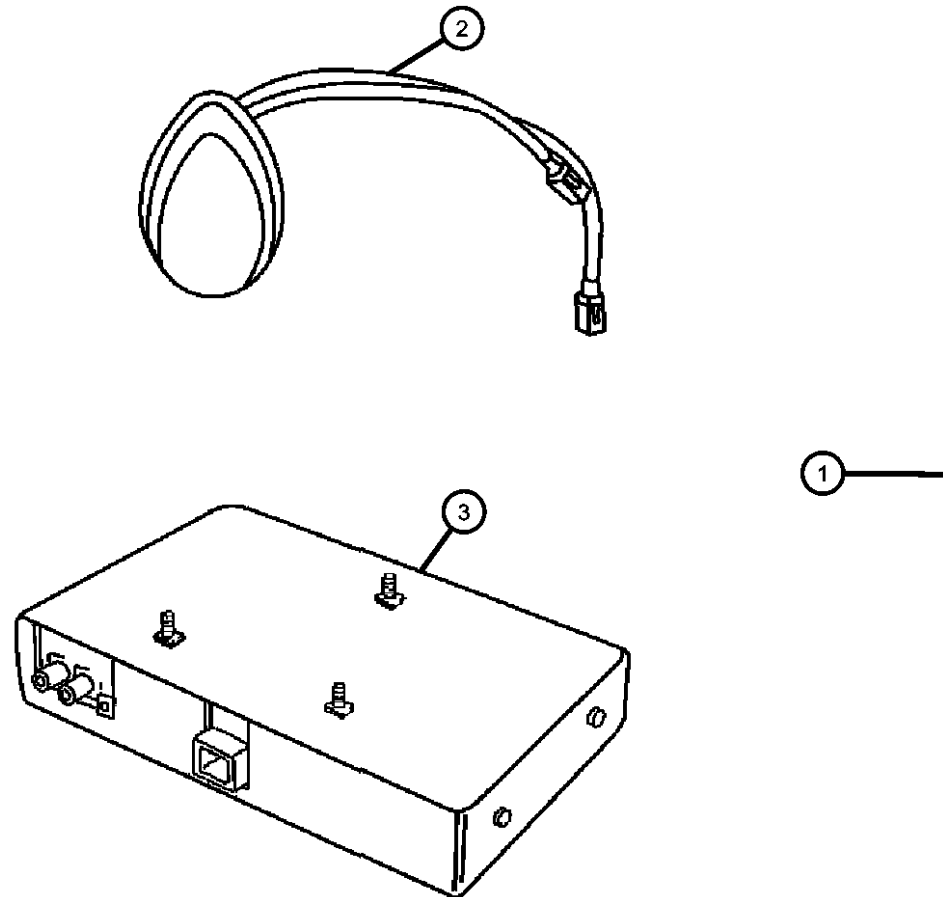
2004 KJ

**Satellite Receiver Kit
Figure 1-120**

ITEM	PART NUMBER	QTY	LINE	SERIES	BODY	ENGINE	TRANS	TRIM	DESCRIPTION
------	-------------	-----	------	--------	------	--------	-------	------	-------------

Note: For Warranty Repair on Item 3, Order Through [GPOP] Function 11, Using Z Prefix

1	82206488AA	1							RECEIVER, Satellite
2	05066205AC	1							ANTENNA, Satellite
3	05064020AG	1							RECEIVER, Satellite



LIBERTY (KJ)

SERIES	LINE
P = Limited	J = LHD (4WD)
H = Sport	U = RHD (4WD)
M = Renegade	T = LHD (2WD)

BODY
74 = 4 Door (104.3 WB)

ENGINE
ED1 = Engine - 2.4L 4 Cyl DOHC 16v SMPI
EKG = Engine - 3.7L V6
ENJ = Engine -2.5L 4 Cyl 16V Turbo Diesel
ENR = Engine - 2.8L 4 Cyl Turbo Diesel
ENO = 4Cyl Turbo Diesel
EK0 = All 3.7L
ED0 = All 2.4L

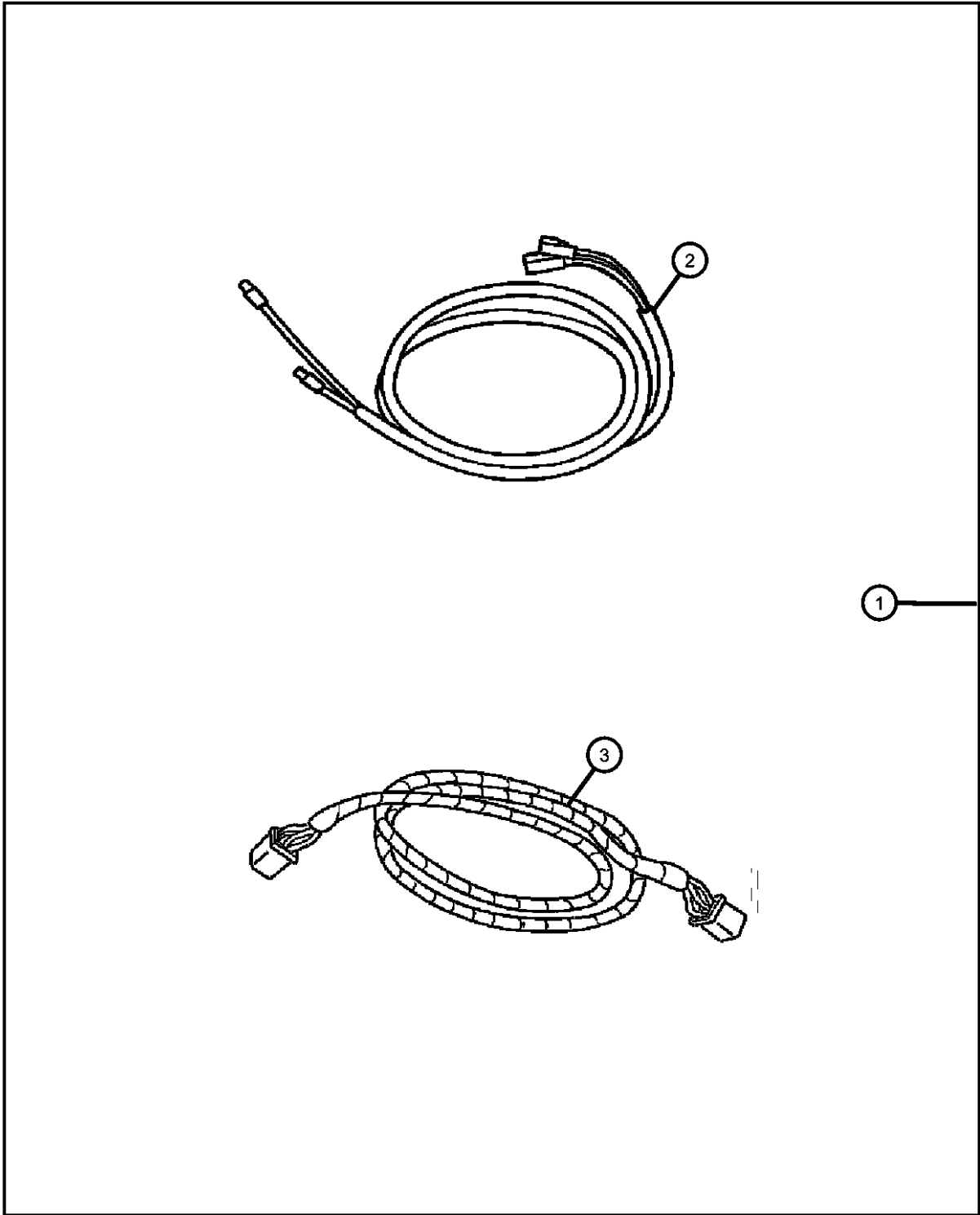
TRANSMISSION
DDD = Transmission - 5-Speed HD Manual
DDK = Transmission - 5-Speed HD Manual
DG4 = Transmission-Multi-Speed Auto, 45RFE
DG6 = Transmission-4-Spd. Automatic, 42RLE
DGQ = Transmission-5-Spd Automatic 5-45RFE
DBB = All Manual Transmissions
DG0 = All Automatic Transmissions

AR = use ase required - = Non illustrated part

2004 KJ

Install Kit - Sattelite Receiver Without CD Changer
Figure 1-130

ITEM	PART NUMBER	QTY	LINE	SERIES	BODY	ENGINE	TRANS	TRIM	DESCRIPTION
1	82206489	1							INSTALL KIT, Sattelite Receiver
2	05066207AB	1							CABLE, Antenna
3	05066203AA	1							WIRING, Rcvr to Radio

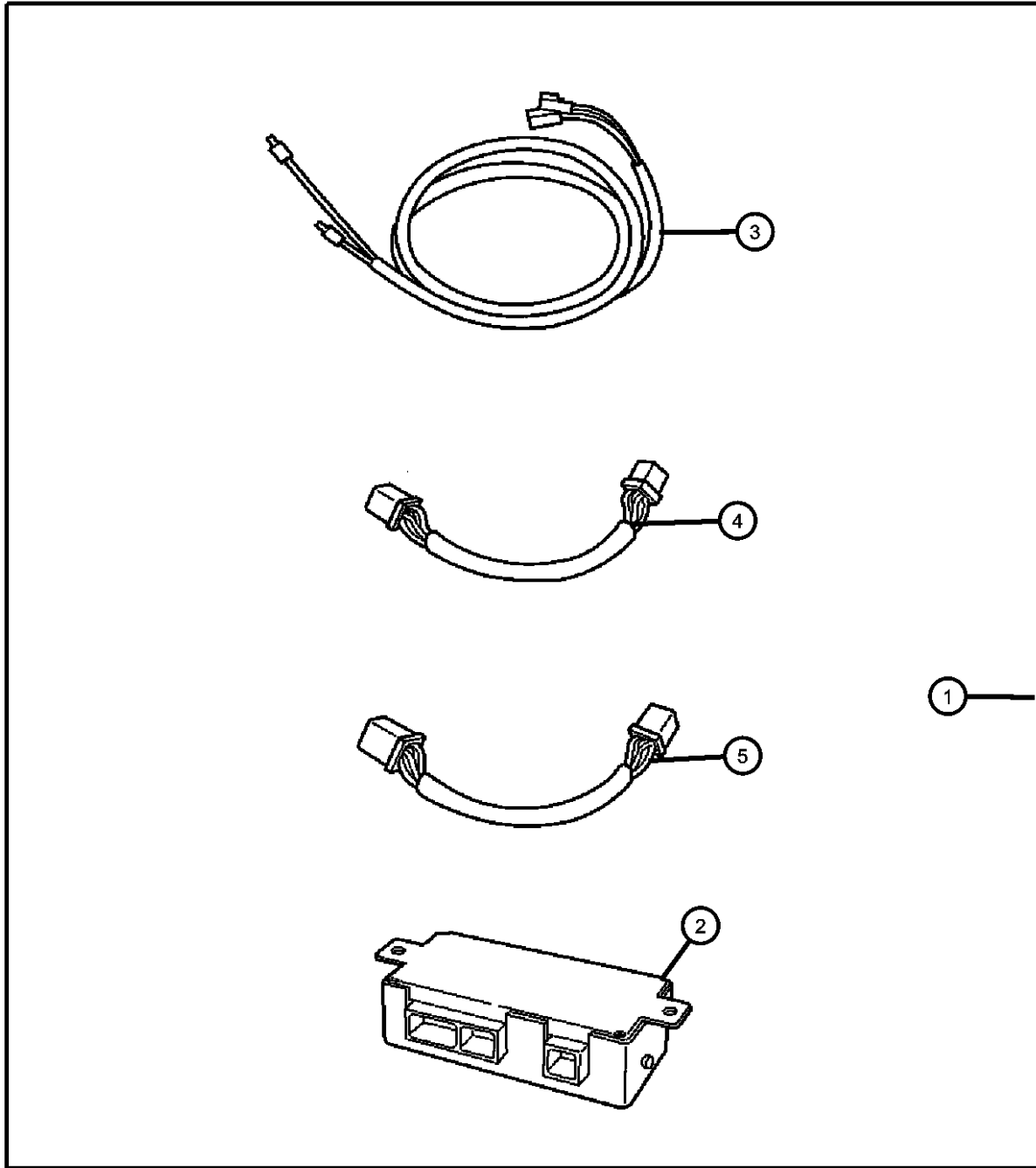


LIBERTY (KJ)				
SERIES	LINE	BODY	ENGINE	TRANSMISSION
P = Limited	J = LHD (4WD)	74 = 4 Door (104.3 WB)	ED1 = Engine - 2.4L 4 Cyl DOHC 16v SMPI	DDD = Transmission - 5-Speed HD Manual
H = Sport	U = RHD (4WD)		EKG = Engine - 3.7L V6	DDK = Transmission - 5-Speed HD Manual
M = Renegade	T = LHD (2WD)		ENJ = Engine -2.5L 4 Cyl 16V Turbo Diesel	DG4 = Transmission-Multi-Speed Auto, 45RFE
			ENR = Engine - 2.8L 4 Cyl Turbo Diesel	DG6 = Transmission-4-Spd. Automatic, 42RLE
			ENO = 4Cyl Turbo Diesel	DGQ = Transmission-5-Spd Automatic 5-45RFE
			EK0 = All 3.7L	DBB = All Manual Transmissions
			ED0 = All 2.4L	DG0 = All Automatic Transmissions

AR = use ase required - = Non illustrated part

Install Kit - Satellite Receiver With CD
Figure 1-135

ITEM	PART NUMBER	QTY	LINE	SERIES	BODY	ENGINE	TRANS	TRIM	DESCRIPTION
1	82207565	1							INSTALL KIT, Satelite Receiver
2	05066202AC	1							MODULE, RR Multiplex
3	05066207AB	1							CABLE, Antenna
4	05066206AA	1							WIRING, RCVR TO MUX
5	05083163AA	1							WIRING, CD to MUX
-6	05066210AA	1							WIRING, Adaptor



LIBERTY (KJ)

SERIES LINE
P = Limited J = LHD (4WD)
H = Sport U = RHD (4WD)
M = Renegade T = LHD (2WD)

BODY
74 = 4 Door (104.3 WB)

ENGINE
ED1 = Engine - 2.4L 4 Cyl
DOHC 16v SMPI
EKG = Engine - 3.7L V6
ENJ = Engine -2.5L 4 Cyl 16V
Turbo Diesel
ENR = Engine - 2.8L 4 Cyl
Turbo Diesel
ENO = 4Cyl Turbo Diesel
EKO = All 3.7L
EDO = All 2.4L

TRANSMISSION
DDD = Transmission - 5-Speed HD
Manual
DDK = Transmission - 5-Speed HD
Manual
DG4 = Transmission-Multi-Speed
Auto, 45RFE
DG6 = Transmission-4-Spd.
Automatic, 42RLE
DGQ = Transmission-5-Spd Automatic
5-45RFE
DBB = All Manual Transmissions
DG0 = All Automatic Transmissions

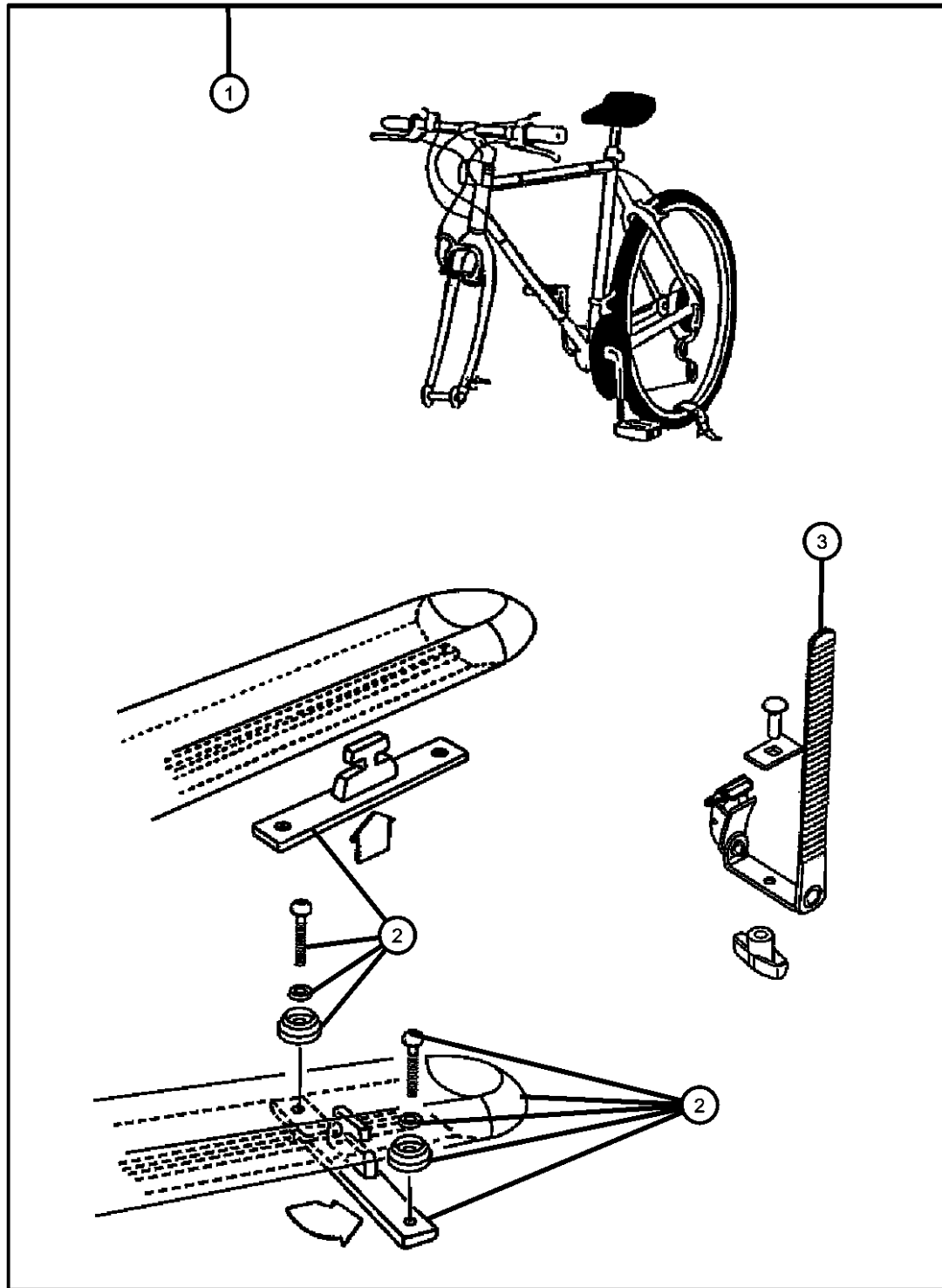
AR = use ase required - = Non illustrated part

Bike Carrier - Roof - Fork Mount
Figure 1-210

ITEM	PART NUMBER	QTY	LINE	SERIES	BODY	ENGINE	TRANS	TRIM	DESCRIPTION
------	-------------	-----	------	--------	------	--------	-------	------	-------------

Note; Requires Sport Utility Rack

1	82207943	1			74				CARRIER KIT, Bike, Fork - Mount
2	05093779AA	1			74				HARDWARE KIT, Accessory
3	05114532AA	1			74				STRAP, Cargo Tie Down



LIBERTY (KJ)

SERIES

P = Limited
H = Sport
M = Renegade

LINE

J = LHD (4WD)
U = RHD (4WD)
T = LHD (2WD)

BODY

74 = 4 Door (104.3 WB)

ENGINE

ED1 = Engine - 2.4L 4 Cyl
DOHC 16v SMPI
EKG = Engine - 3.7L V6
ENJ = Engine -2.5L 4 Cyl 16V
Turbo Diesel
ENR = Engine - 2.8L 4 Cyl
Turbo Diesel
ENO = 4Cyl Turbo Diesel
EKO = All 3.7L
EDO = All 2.4L

TRANSMISSION

DDD = Transmission - 5-Speed HD
Manual
DDK = Transmission - 5-Speed HD
Manual
DG4 = Transmission-Multi-Speed
Auto, 45RFE
DG6 = Transmission-4-Spd.
Automatic, 42RLE
DGQ = Transmission-5-Spd Automatic
5-45RFE
DBB = All Manual Transmissions
DG0 = All Automatic Transmissions

AR = use ase required - = Non illustrated part

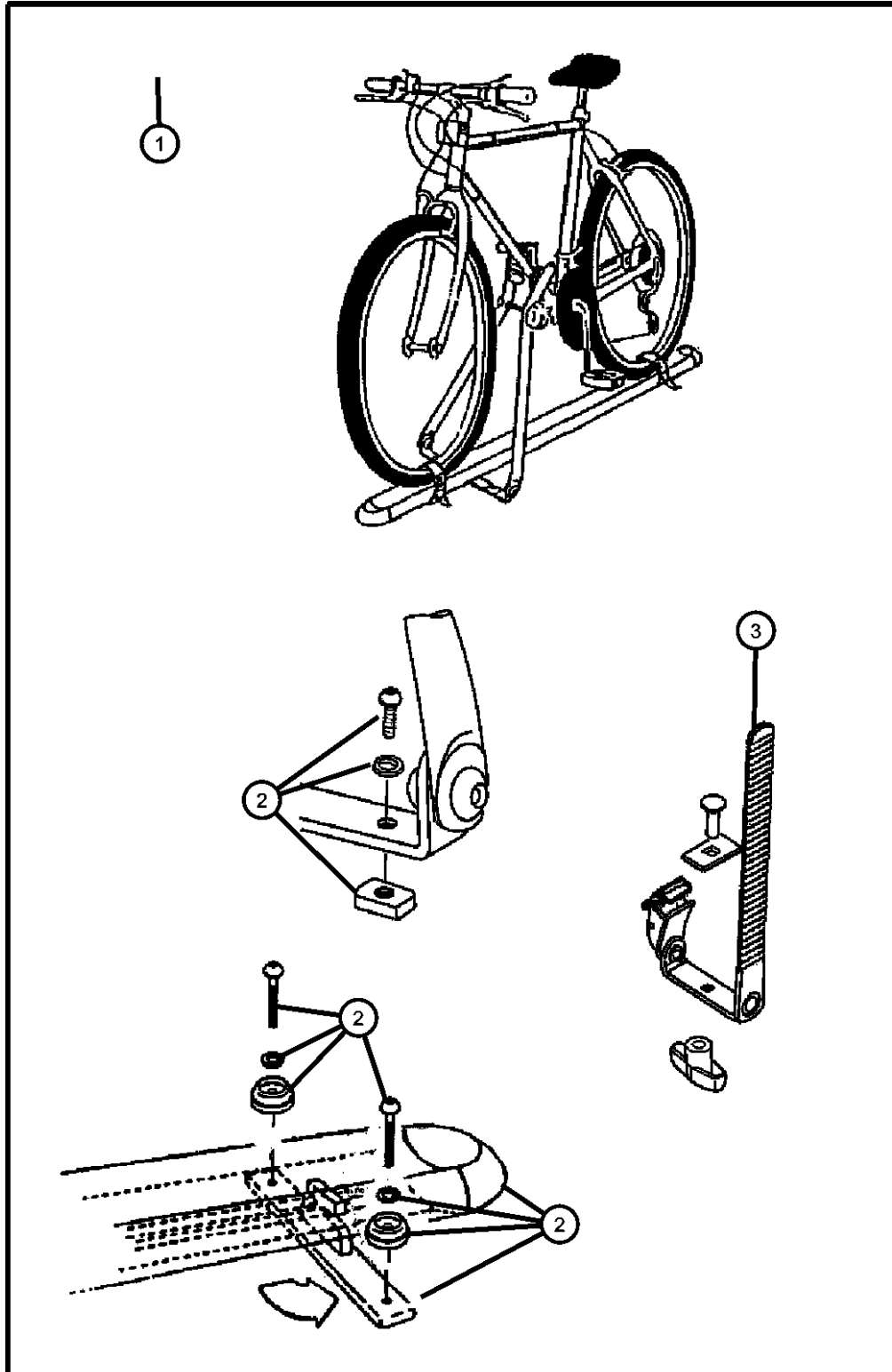
2004 KJ

Bike Carrier - Roof - Upright Mount
Figure 1-215

ITEM	PART NUMBER	QTY	LINE	SERIES	BODY	ENGINE	TRANS	TRIM	DESCRIPTION
------	-------------	-----	------	--------	------	--------	-------	------	-------------

Note; Requires Sport Utility Rack

1	82207942	1			74				CARRIER KIT, Bike, Upright - Mount
2	05093779AA	1			74				HARDWARE KIT, Accessory
3	05114532AA	1			74				STRAP, Cargo Tie Down



LIBERTY (KJ)

SERIES

P = Limited
H = Sport
M = Renegade

LINE

J = LHD (4WD)
U = RHD (4WD)
T = LHD (2WD)

BODY

74 = 4 Door (104.3 WB)

ENGINE

ED1 = Engine - 2.4L 4 Cyl
DOHC 16v SMPI
EKG = Engine - 3.7L V6
ENJ = Engine -2.5L 4 Cyl 16V
Turbo Diesel
ENR = Engine - 2.8L 4 Cyl
Turbo Diesel
EN0 = 4Cyl Turbo Diesel
EKO = All 3.7L
EDO = All 2.4L

TRANSMISSION

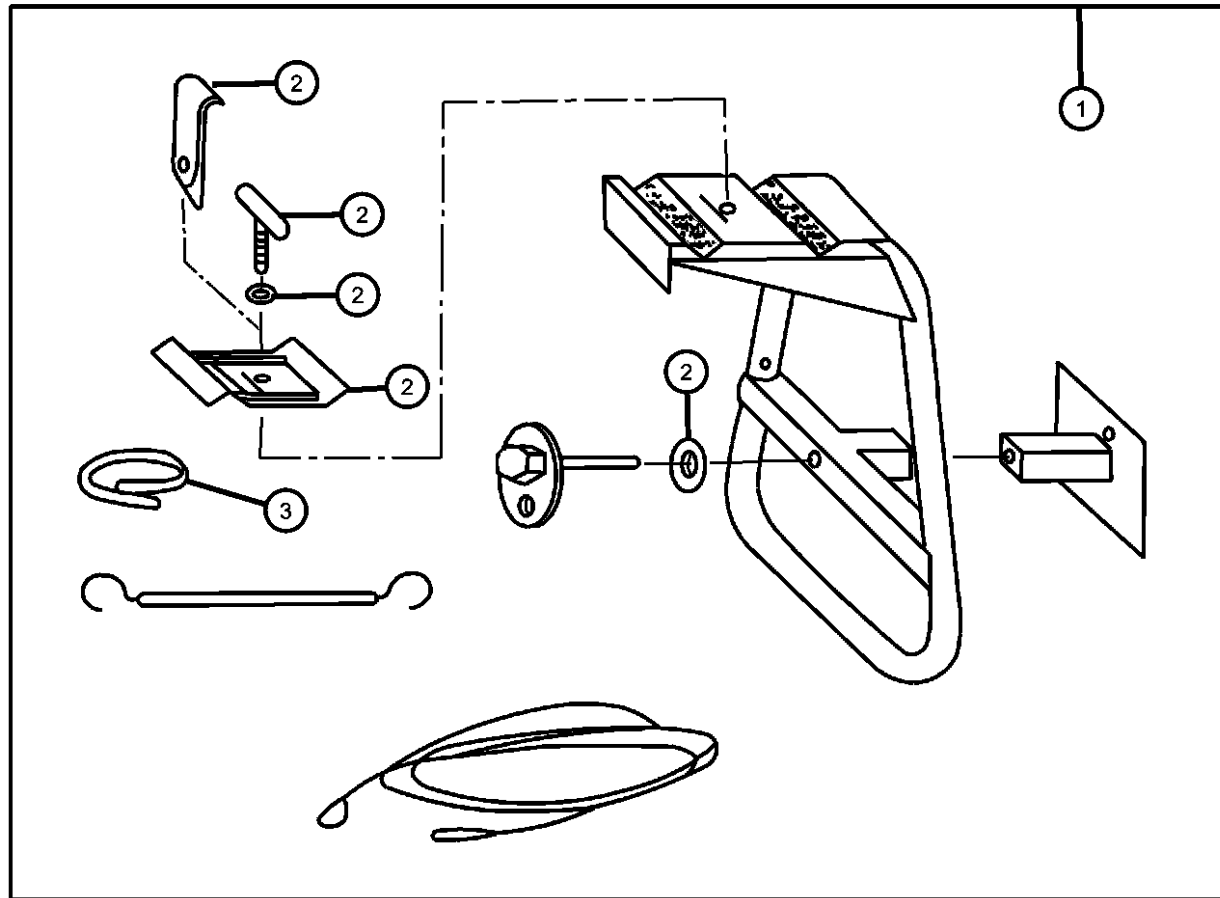
DDD = Transmission - 5-Speed HD
Manual
DDK = Transmission - 5-Speed HD
Manual
DG4 = Transmission-Multi-Speed
Auto, 45RFE
DG6 = Transmission-4-Spd.
Automatic, 42RLE
DGQ = Transmission-5-Spd Automatic
5-45RFE
DBB = All Manual Transmissions
DG0 = All Automatic Transmissions

AR = use ase required - = Non illustrated part

2004 KJ

Bike Carrier - Spare Tire Mount
Figure 1-220

ITEM	PART NUMBER	QTY	LINE	SERIES	BODY	ENGINE	TRANS	TRIM	DESCRIPTION
NOTE: Mounts to Spare Tire - Holds two Bikes with Crossbars									
1	82207520	1							CARRIER KIT, Bike
2	05018825AA	1							HARDWARE KIT, Bike Carrier, Contains: T-Handle, Lock Strap, Top Clamp Assembly, Nylon Washers
3	04762880	1							STRAP KIT, Velcro



LIBERTY (KJ)

SERIES

P = Limited
H = Sport
M = Renegade

LINE

J = LHD (4WD)
U = RHD (4WD)
T = LHD (2WD)

BODY

74 = 4 Door (104.3 WB)

ENGINE

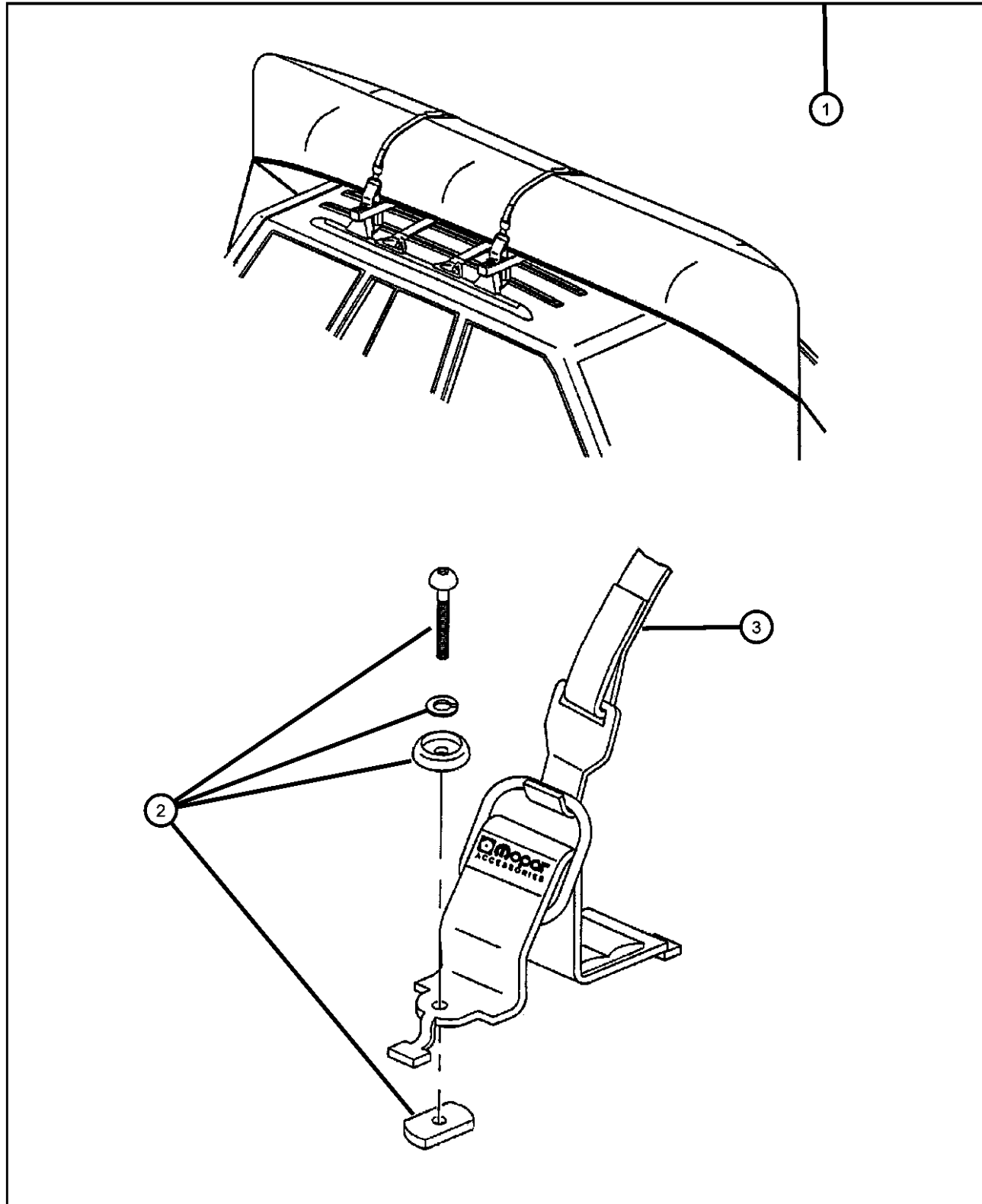
ED1 = Engine - 2.4L 4 Cyl
DOHC 16v SMPI
EKG = Engine - 3.7L V6
ENJ = Engine -2.5L 4 Cyl 16V
Turbo Diesel
ENR = Engine - 2.8L 4 Cyl
Turbo Diesel
ENO = 4Cyl Turbo Diesel
EKO = All 3.7L
EDO = All 2.4L

TRANSMISSION

DDD = Transmission - 5-Speed HD
Manual
DDK = Transmission - 5-Speed HD
Manual
DG4 = Transmission-Multi-Speed
Auto, 45RFE
DG6 = Transmission-4-Spd.
Automatic, 42RLE
DGQ = Transmission-5-Spd Automatic
5-45RFE
DBB = All Manual Transmissions
DG0 = All Automatic Transmissions

AR = use ase required - = Non illustrated part

Carrier Kit - Canoe
Figure 1-225



ITEM	PART NUMBER	QTY	LINE	SERIES	BODY	ENGINE	TRANS	TRIM	DESCRIPTION
------	-------------	-----	------	--------	------	--------	-------	------	-------------

Note; Requires Sport Utility Rack

1	82204700	1							
2	05016389AA	1							
3	05016511AA	1							

CARRIER KIT, Canoe
HARDWARE KIT, Accessory,
Contains 4 25MM Button Head
Screws, 4 30MM Button Head
Screws, 4 Dome Washers, 4 Lock
Washers, 4 Rubber Washers, 4
T-Nuts
STRAP, Cargo Tie Down

LIBERTY (KJ)

SERIES

P = Limited
H = Sport
M = Renegade

LINE

J = LHD (4WD)
U = RHD (4WD)
T = LHD (2WD)

BODY

74 = 4 Door (104.3 WB)

ENGINE

ED1 = Engine - 2.4L 4 Cyl
DOHC 16v SMPI
EKG = Engine - 3.7L V6
ENJ = Engine -2.5L 4 Cyl 16V
Turbo Diesel
ENR = Engine - 2.8L 4 Cyl
Turbo Diesel
ENO = 4Cyl Turbo Diesel
EKO = All 3.7L
EDO = All 2.4L

TRANSMISSION

DDD = Transmission - 5-Speed HD
Manual
DDK = Transmission - 5-Speed HD
Manual
DG4 = Transmission-Multi-Speed
Auto, 45RFE
DG6 = Transmission-4-Spd.
Automatic, 42RLE
DGQ = Transmission-5-Spd Automatic
5-45RFE
DBB = All Manual Transmissions
DG0 = All Automatic Transmissions

AR = use ase required - = Non illustrated part

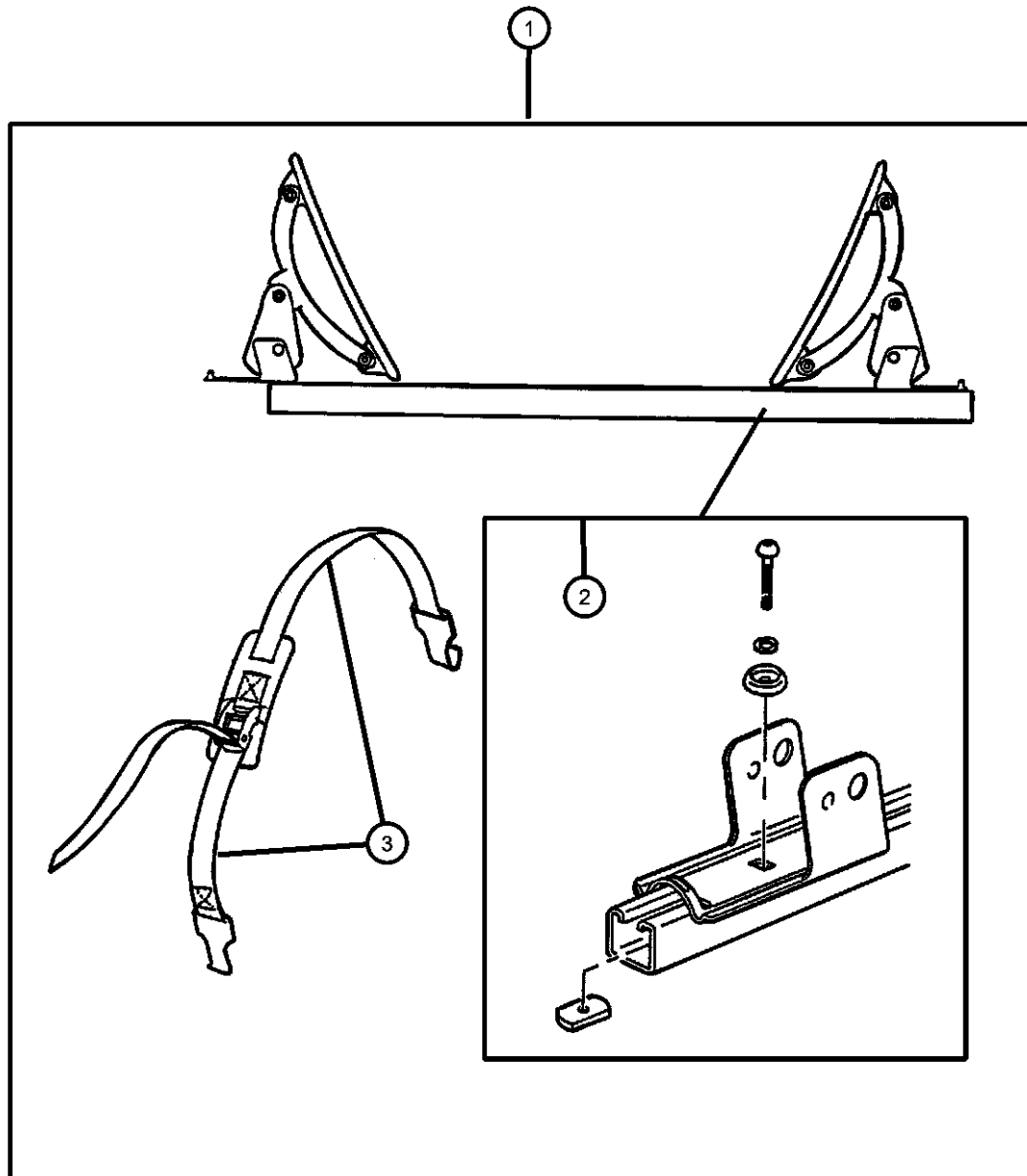
2004 KJ

Carrier Kit - Water Sports
Figure 1-230

ITEM	PART NUMBER	QTY	LINE	SERIES	BODY	ENGINE	TRANS	TRIM	DESCRIPTION
------	-------------	-----	------	--------	------	--------	-------	------	-------------

Note; Requires Sport Utility Rack

1	82205416	1			74				CARRIER KIT, Water Sports
2	05016389AA	1							HARDWARE KIT, Accessory, Contains 4 25MM Button Head Screws, 4 30MM Button Head Screws, 4 Dome Washers, 4 Lock Washers, 4 Rubber Washers, 4 T-Nuts
3	05016511AA	1							STRAP, Cargo Tie Down



LIBERTY (KJ)

SERIES	LINE
P = Limited	J = LHD (4WD)
H = Sport	U = RHD (4WD)
M = Renegade	T = LHD (2WD)

BODY
74 = 4 Door (104.3 WB)

ENGINE
ED1 = Engine - 2.4L 4 Cyl DOHC 16v SMPI
EKG = Engine - 3.7L V6
ENJ = Engine -2.5L 4 Cyl 16V Turbo Diesel
ENR = Engine - 2.8L 4 Cyl Turbo Diesel
ENO = 4Cyl Turbo Diesel
EK0 = All 3.7L
ED0 = All 2.4L

TRANSMISSION
DDD = Transmission - 5-Speed HD Manual
DDK = Transmission - 5-Speed HD Manual
DG4 = Transmission-Multi-Speed Auto, 45RFE
DG6 = Transmission-4-Spd. Automatic, 42RLE
DGQ = Transmission-5-Spd Automatic 5-45RFE
DBB = All Manual Transmissions
DG0 = All Automatic Transmissions

AR = use ase required - = Non illustrated part

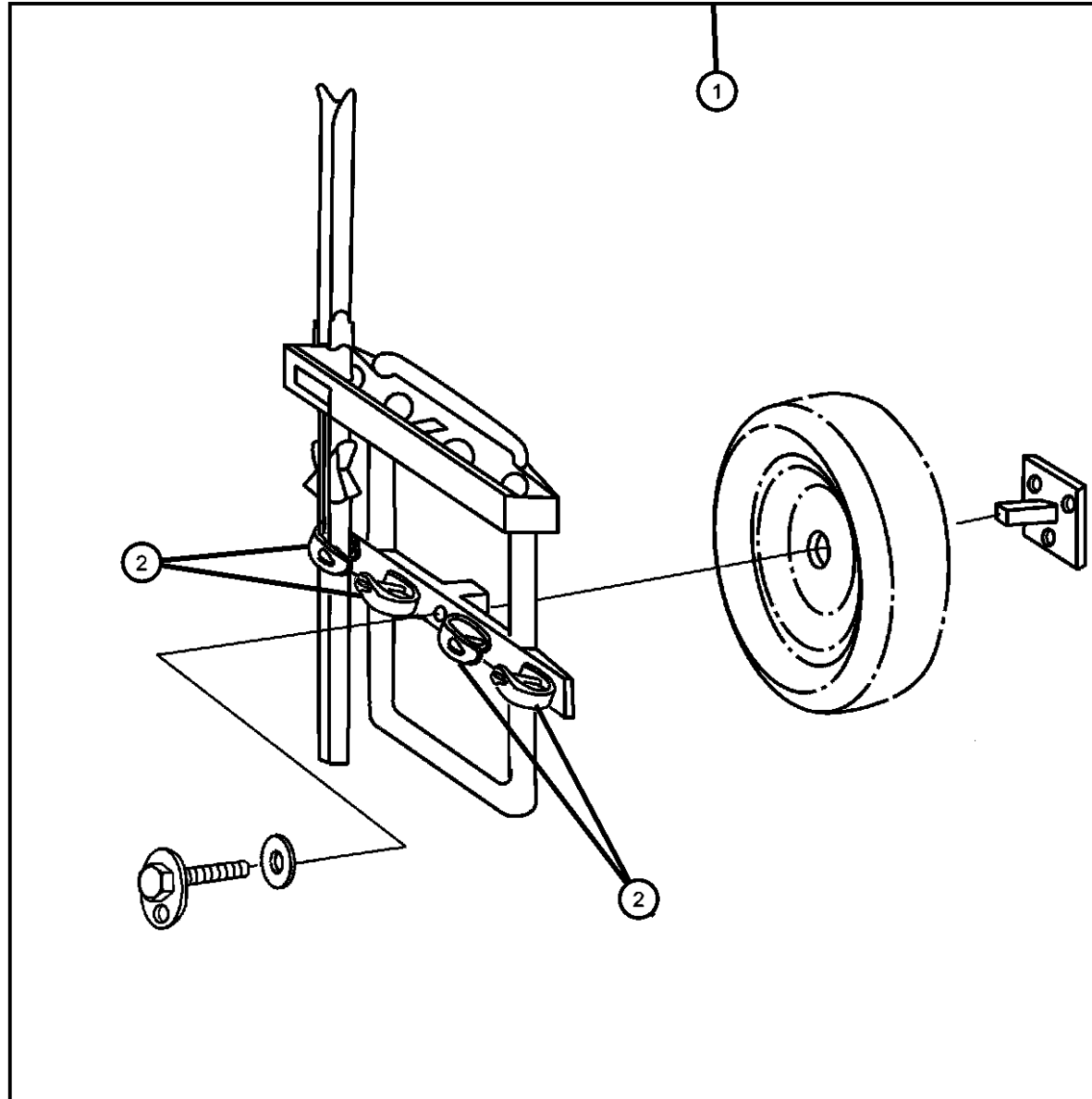
2004 KJ

Ski Carrier - Spare Tire Mount
Figure 1-235

ITEM	PART NUMBER	QTY	LINE	SERIES	BODY	ENGINE	TRANS	TRIM	DESCRIPTION
------	-------------	-----	------	--------	------	--------	-------	------	-------------

NOTE: Requires full size, outside mounted spare tire.

1	82207643	1			74				CARRIER KIT, Ski
2	05016775AA	1			74				STRAP KIT, Bike Carrier Latch



LIBERTY (KJ)

SERIES	LINE
P = Limited	J = LHD (4WD)
H = Sport	U = RHD (4WD)
M = Renegade	T = LHD (2WD)

BODY
74 = 4 Door (104.3 WB)

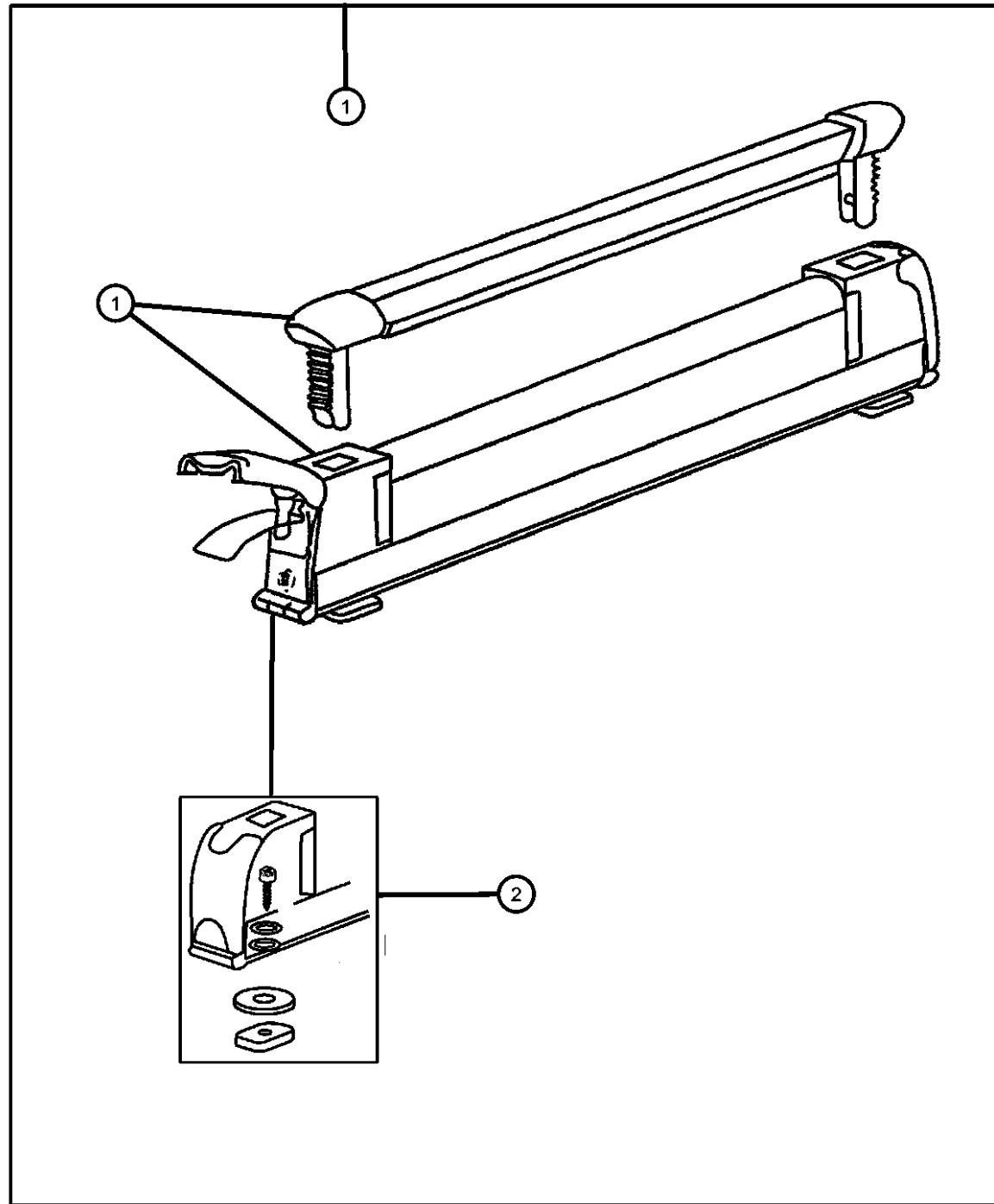
ENGINE
ED1 = Engine - 2.4L 4 Cyl
DOHC 16v SMPI
EKG = Engine - 3.7L V6
ENJ = Engine -2.5L 4 Cyl 16V
Turbo Diesel
ENR = Engine - 2.8L 4 Cyl
Turbo Diesel
ENO = 4Cyl Turbo Diesel
EK0 = All 3.7L
ED0 = All 2.4L

TRANSMISSION
DDD = Transmission - 5-Speed HD
Manual
DDK = Transmission - 5-Speed HD
Manual
DG4 = Transmission-Multi-Speed
Auto, 45RFE
DG6 = Transmission-4-Spd.
Automatic, 42RLE
DGQ = Transmission-5-Spd Automatic
5-45RFE
DBB = All Manual Transmissions
DG0 = All Automatic Transmissions

AR = use ase required - = Non illustrated part

2004 KJ

Ski Carrier - Roof Mount
Figure 1-240



ITEM	PART NUMBER	QTY	LINE	SERIES	BODY	ENGINE	TRANS	TRIM	DESCRIPTION
------	-------------	-----	------	--------	------	--------	-------	------	-------------

Note; Requires Sport Utility Rack

1									CARRIER KIT, Ski
	82207308	1							6 Pair or 4 Snowboards
	82207312	1							3 Pair or 2 Snowboards
2	05086158AA	1							HARDWARE KIT, Accessory, Contains: 4 - 25MM Screws, 4 - 20M Screws, 4 - 16MM Screws, 4 - Lock Washers, 4 - Flat Washers, 4 - T Plates, 4 - Rubber Washers
-3	05066632AA	1							TOOL, Screw Driver

LIBERTY (KJ)

SERIES

P = Limited
H = Sport
M = Renegade

LINE

J = LHD (4WD)
U = RHD (4WD)
T = LHD (2WD)

BODY

74 = 4 Door (104.3 WB)

ENGINE

ED1 = Engine - 2.4L 4 Cyl
DOHC 16v SMPI
EKG = Engine - 3.7L V6
ENJ = Engine -2.5L 4 Cyl 16V
Turbo Diesel
ENR = Engine - 2.8L 4 Cyl
Turbo Diesel
ENO = 4Cyl Turbo Diesel
EKO = All 3.7L
EDO = All 2.4L

TRANSMISSION

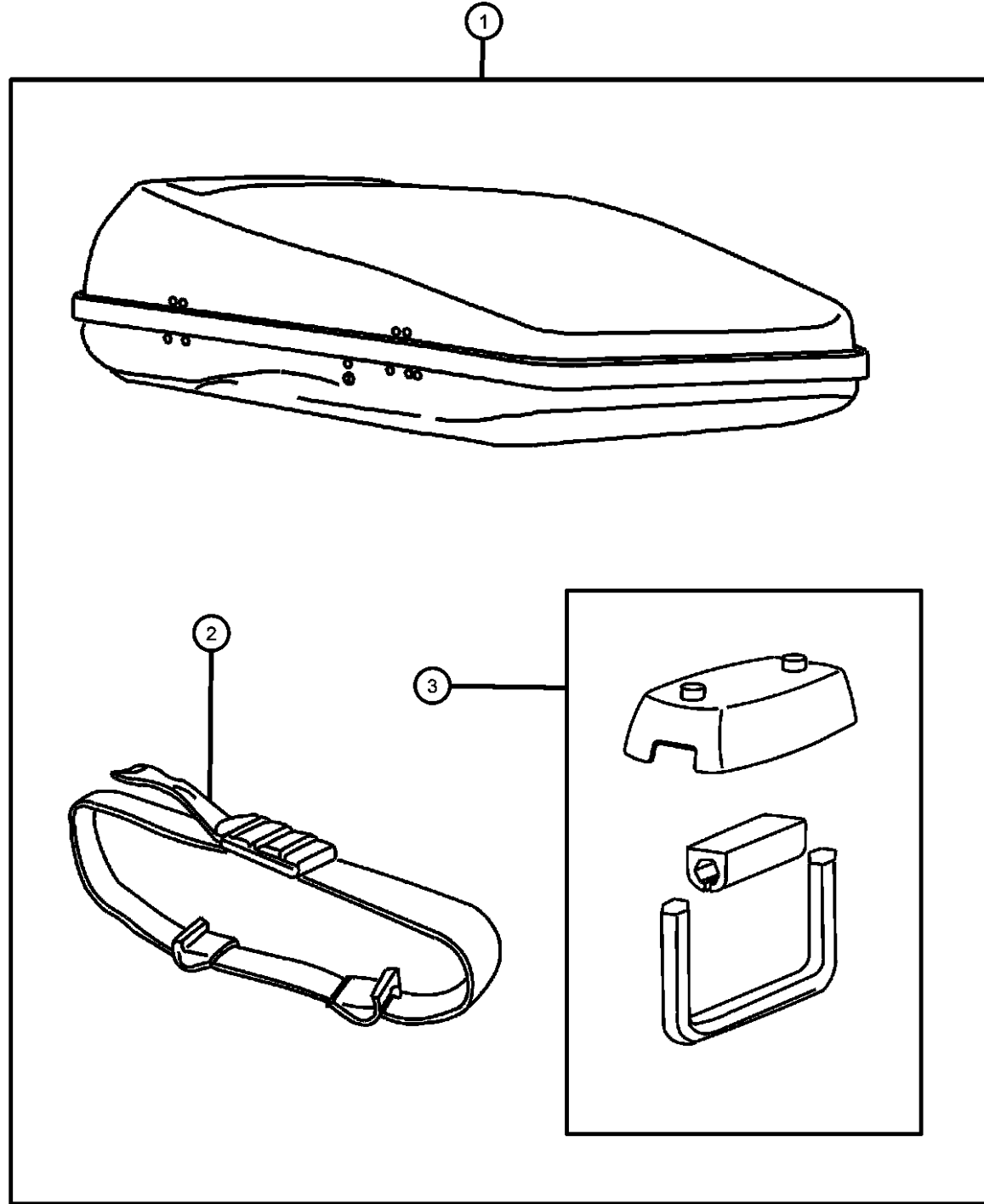
DDD = Transmission - 5-Speed HD
Manual
DDK = Transmission - 5-Speed HD
Manual
DG4 = Transmission-Multi-Speed
Auto, 45RFE
DG6 = Transmission-4-Spd.
Automatic, 42RLE
DGQ = Transmission-5-Spd Automatic
5-45RFE
DBB = All Manual Transmissions
DG0 = All Automatic Transmissions

AR = use ase required - = Non illustrated part

2004 KJ

Luggage Carrier - Roof - Hard Style
Figure 1-245

ITEM	PART NUMBER	QTY	LINE	SERIES	BODY	ENGINE	TRANS	TRIM	DESCRIPTION
------	-------------	-----	------	--------	------	--------	-------	------	-------------



Note; Requires Sport Utility Rack

1	82207341	1							CARRIER KIT, Luggage 28 inch x 90 inch
	82207353	1							31 inch x 71 inch
2	05086160AA	1							STRAP, Cargo Tie Down
3	05086159AA	1							HARDWARE KIT

LIBERTY (KJ)

SERIES

P = Limited
H = Sport
M = Renegade

LINE

J = LHD (4WD)
U = RHD (4WD)
T = LHD (2WD)

BODY

74 = 4 Door (104.3 WB)

ENGINE

ED1 = Engine - 2.4L 4 Cyl
DOHC 16v SMPI
EKG = Engine - 3.7L V6
ENJ = Engine -2.5L 4 Cyl 16V
Turbo Diesel
ENR = Engine - 2.8L 4 Cyl
Turbo Diesel
EN0 = 4Cyl Turbo Diesel
EKO = All 3.7L
EDO = All 2.4L

TRANSMISSION

DDD = Transmission - 5-Speed HD
Manual
DDK = Transmission - 5-Speed HD
Manual
DG4 = Transmission-Multi-Speed
Auto, 45RFE
DG6 = Transmission-4-Spd.
Automatic, 42RLE
DGQ = Transmission-5-Spd Automatic
5-45RFE
DBB = All Manual Transmissions
DG0 = All Automatic Transmissions

AR = use ase required - = Non illustrated part

2004 KJ

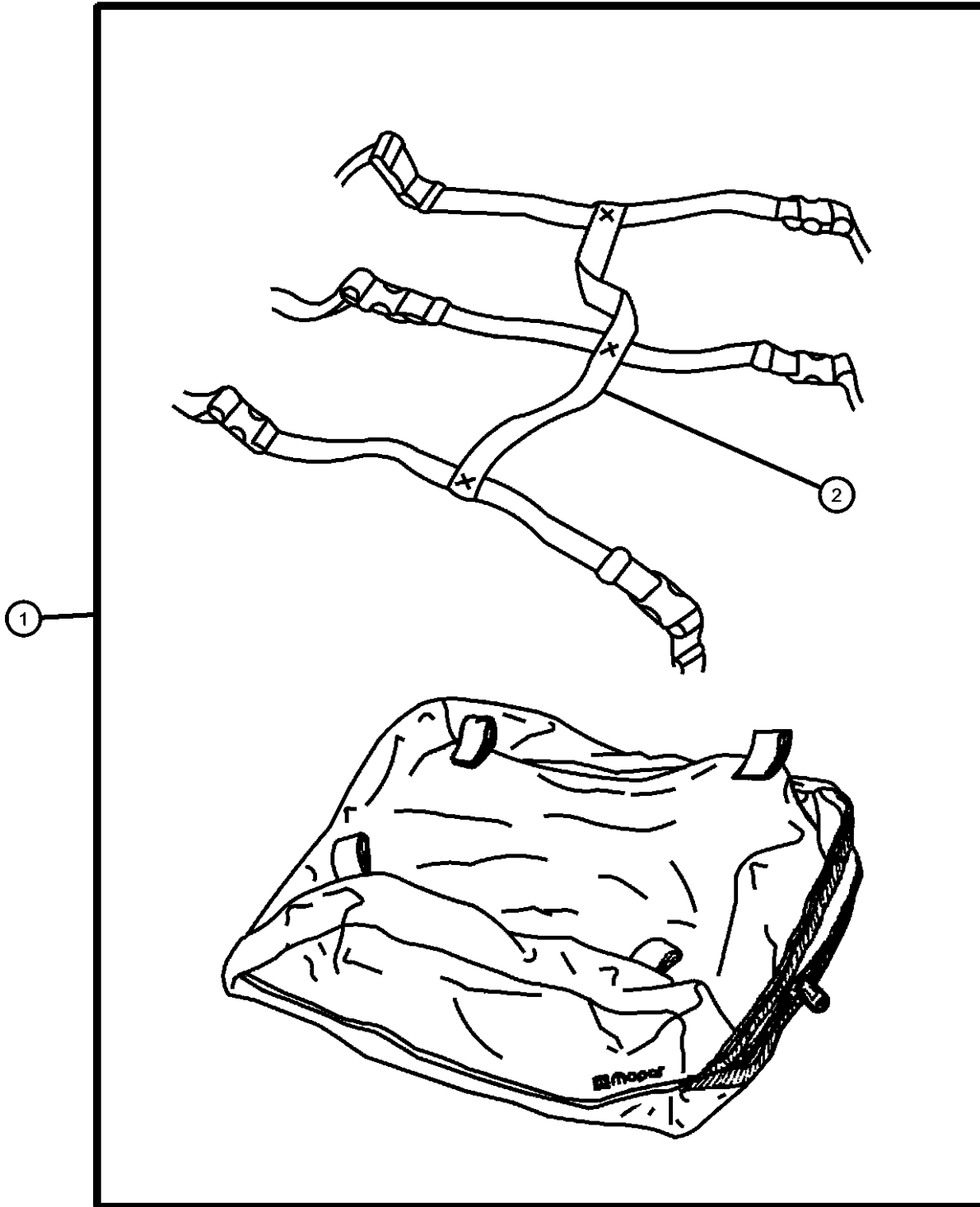
Luggage Carrier - Roof - Vinyl
Figure 1-250

ITEM	PART NUMBER	QTY	LINE	SERIES	BODY	ENGINE	TRANS	TRIM	DESCRIPTION
------	-------------	-----	------	--------	------	--------	-------	------	-------------

Note; Requires Sport Utility Rack

1	82207198	1							
2	05066332AA	1							

CARRIER KIT, Luggage, 39 inch x 37 inch x 12 inch
STRAP KIT, Luggage Carrier



LIBERTY (KJ)

SERIES

P = Limited
H = Sport
M = Renegade

LINE

J = LHD (4WD)
U = RHD (4WD)
T = LHD (2WD)

BODY

74 = 4 Door (104.3 WB)

ENGINE

ED1 = Engine - 2.4L 4 Cyl
DOHC 16v SMPI
EKG = Engine - 3.7L V6
ENJ = Engine -2.5L 4 Cyl 16V
Turbo Diesel
ENR = Engine - 2.8L 4 Cyl
Turbo Diesel
ENO = 4Cyl Turbo Diesel
EKO = All 3.7L
EDO = All 2.4L

TRANSMISSION

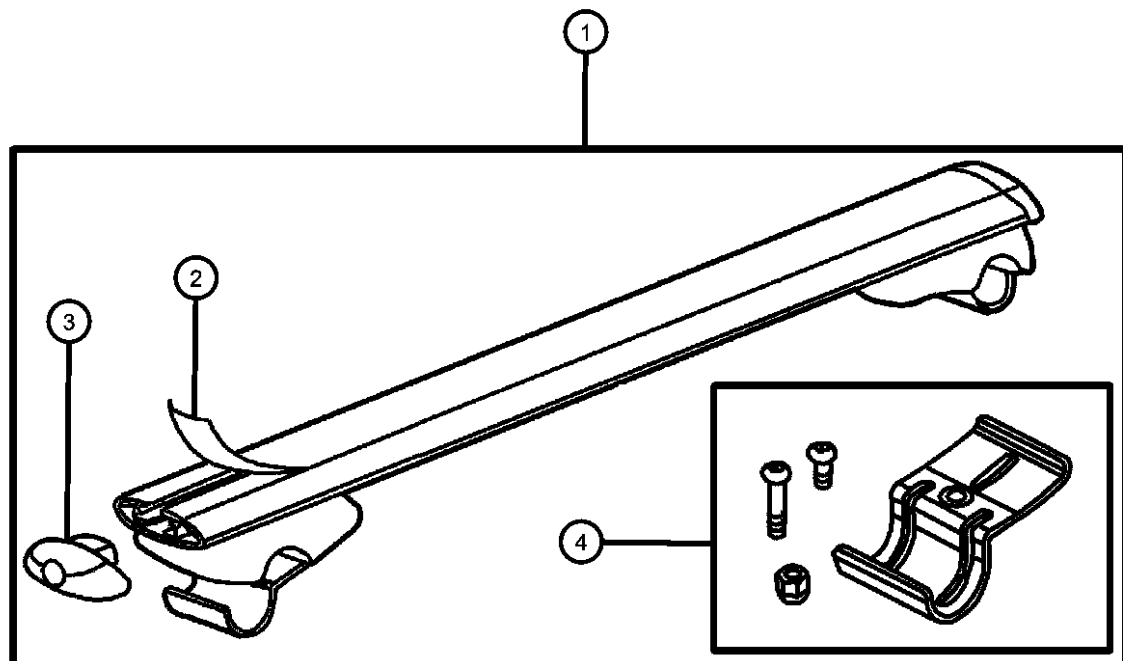
DDD = Transmission - 5-Speed HD
Manual
DDK = Transmission - 5-Speed HD
Manual
DG4 = Transmission-Multi-Speed
Auto, 45RFE
DG6 = Transmission-4-Spd.
Automatic, 42RLE
DGQ = Transmission-5-Spd Automatic
5-45RFE
DBB = All Manual Transmissions
DG0 = All Automatic Transmissions

AR = use ase required - = Non illustrated part

2004 KJ

Rack Kit - Sport Utility
Figure 1-255

ITEM	PART NUMBER	QTY	LINE	SERIES	BODY	ENGINE	TRANS	TRIM	DESCRIPTION
1	82205174	1	J, T		74				RACK KIT, Sport - Rail Mount
2	05086161AA	1	J, T		74				RUB STRIP, Lugg Rack Cross
3	05086162AA	1	J, T		74				END CAP, Luggage Rack
4	05086293AA	1	J, T		74				HARDWARE KIT
-5	05066632AA	1	J, T		74				TOOL, Screw Driver



LIBERTY (KJ)

SERIES LINE
P = Limited J = LHD (4WD)
H = Sport U = RHD (4WD)
M = Renegade T = LHD (2WD)

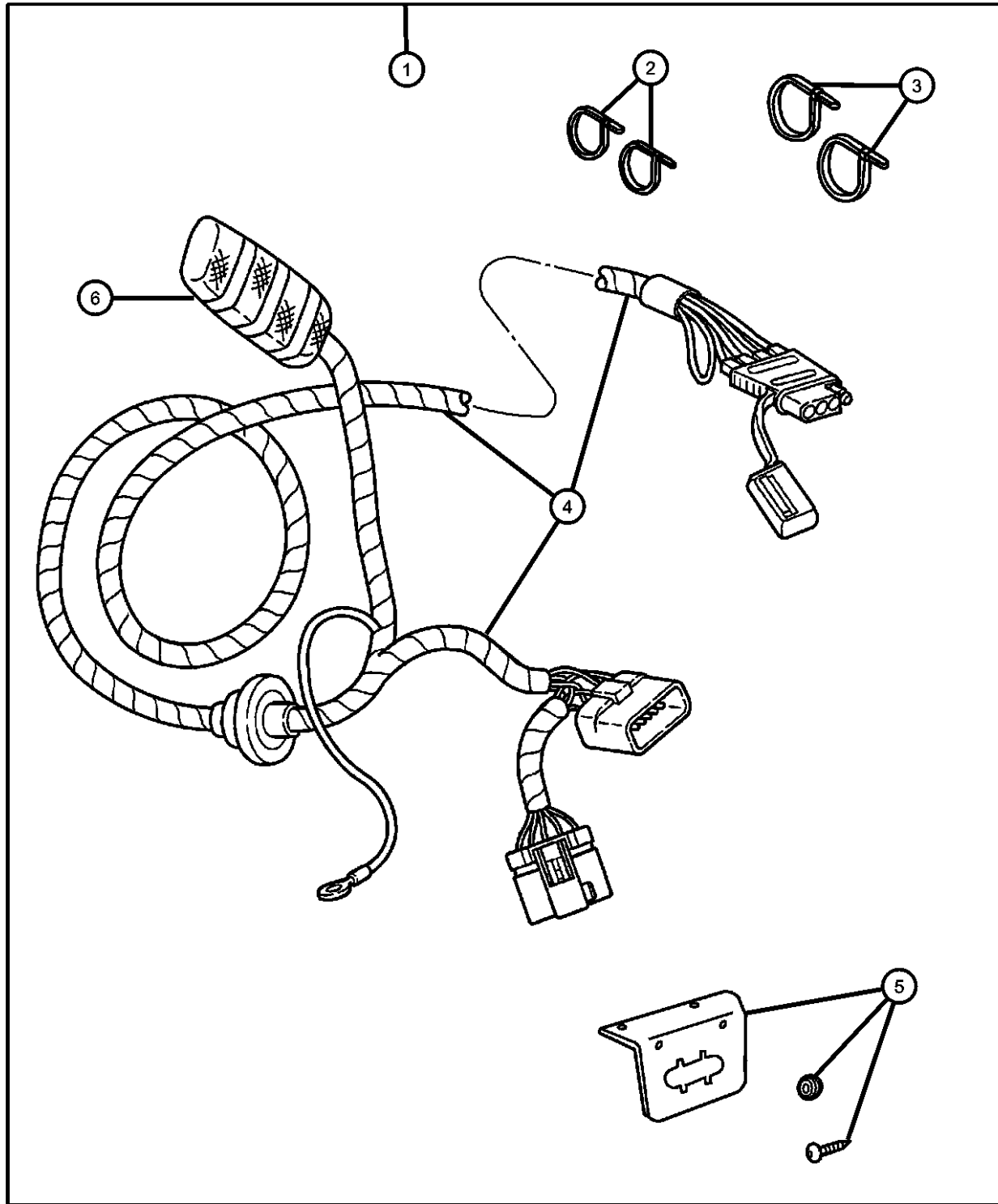
BODY
74 = 4 Door (104.3 WB)

ENGINE TRANSMISSION
ED1 = Engine - 2.4L 4 Cyl DOHC 16v SMPI DDD = Transmission - 5-Speed HD Manual
EKG = Engine - 3.7L V6 DDK = Transmission - 5-Speed HD Manual
ENJ = Engine -2.5L 4 Cyl 16V Turbo Diesel DG4 = Transmission-Multi-Speed Auto, 45RFE
ENR = Engine - 2.8L 4 Cyl Turbo Diesel DG6 = Transmission-4-Spd. Automatic, 42RLE
ENO = 4Cyl Turbo Diesel DGQ = Transmission-5-Spd Automatic 5-45RFE
EK0 = All 3.7L DBB = All Manual Transmissions
ED0 = All 2.4L DG0 = All Automatic Transmissions

AR = use ase required - = Non illustrated part

2004 KJ

Wiring Kit - Trailer Tow - 4 Way
Figure 1-260



ITEM	PART NUMBER	QTY	LINE	SERIES	BODY	ENGINE	TRANS	TRIM	DESCRIPTION
1	82207290	1							WIRING PACKAGE, Trailer Tow
2	05073039AA	1							STRAP, Tie
3	06016155	1							STRAP, Tie
4	06016155	1							WIRING, Trailer Tow - 4 Way, Serviced in Package, (NOT SERVICED)
5	82204602	1							BRACKET KIT, Trailer Tow
6	04671168	1							RELAY, Mini

LIBERTY (KJ)

SERIES

P = Limited
H = Sport
M = Renegade

LINE

J = LHD (4WD)
U = RHD (4WD)
T = LHD (2WD)

BODY

74 = 4 Door (104.3 WB)

ENGINE

ED1 = Engine - 2.4L 4 Cyl
DOHC 16v SMPI
EKG = Engine - 3.7L V6
ENJ = Engine -2.5L 4 Cyl 16V
Turbo Diesel
ENR = Engine - 2.8L 4 Cyl
Turbo Diesel
ENO = 4Cyl Turbo Diesel
EKO = All 3.7L
EDO = All 2.4L

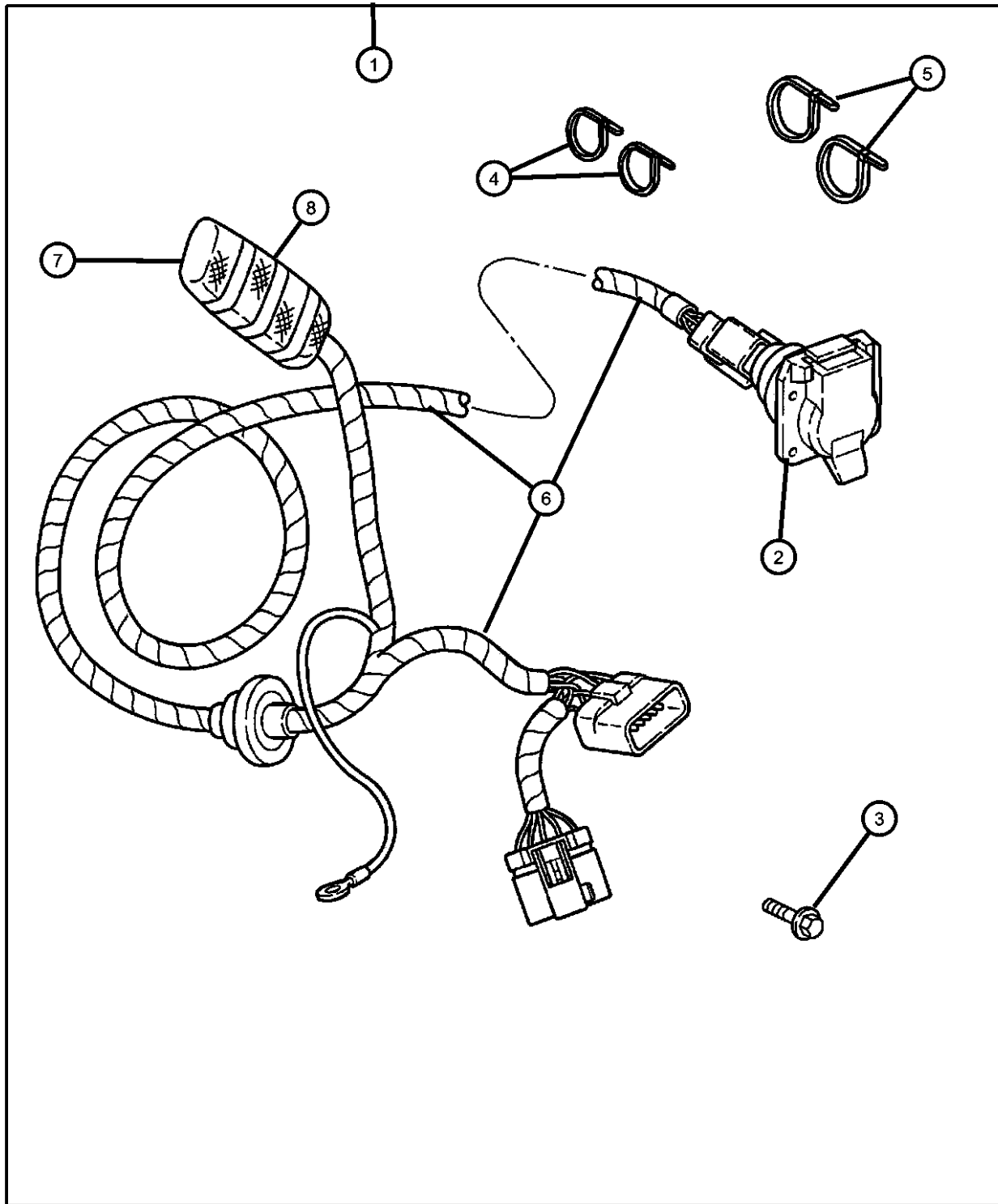
TRANSMISSION

DDD = Transmission - 5-Speed HD
Manual
DDK = Transmission - 5-Speed HD
Manual
DG4 = Transmission-Multi-Speed
Auto, 45RFE
DG6 = Transmission-4-Spd.
Automatic, 42RLE
DGQ = Transmission-5-Spd Automatic
5-45RFE
DBB = All Manual Transmissions
DG0 = All Automatic Transmissions

AR = use ase required - = Non illustrated part

2004 KJ

Wiring Kit - Trailer Tow - 7 Way
Figure 1-265



ITEM	PART NUMBER	QTY	LINE	SERIES	BODY	ENGINE	TRANS	TRIM	DESCRIPTION
1	82207248	1							WIRING PACKAGE, Trailer Tow
2	56038366AB	1							CONNECTOR, 7 Way
3	00154633	1							SCREW, .164-18x.625
4	05073039AA	1							STRAP, Tie, Package of 50
5	06016155	1							STRAP, Tie
6	06016155	1							WIRING, Trailer Tow, (NOT SERVICED)
7	56007290	1							BREAKER, Circuit
8	04671168	1							RELAY, Mini

LIBERTY (KJ)

SERIES

P = Limited
H = Sport
M = Renegade

LINE

J = LHD (4WD)
U = RHD (4WD)
T = LHD (2WD)

BODY

74 = 4 Door (104.3 WB)

ENGINE

ED1 = Engine - 2.4L 4 Cyl
DOHC 16v SMPI
EKG = Engine - 3.7L V6
ENJ = Engine -2.5L 4 Cyl 16V
Turbo Diesel
ENR = Engine - 2.8L 4 Cyl
Turbo Diesel
ENO = 4Cyl Turbo Diesel
EKO = All 3.7L
EDO = All 2.4L

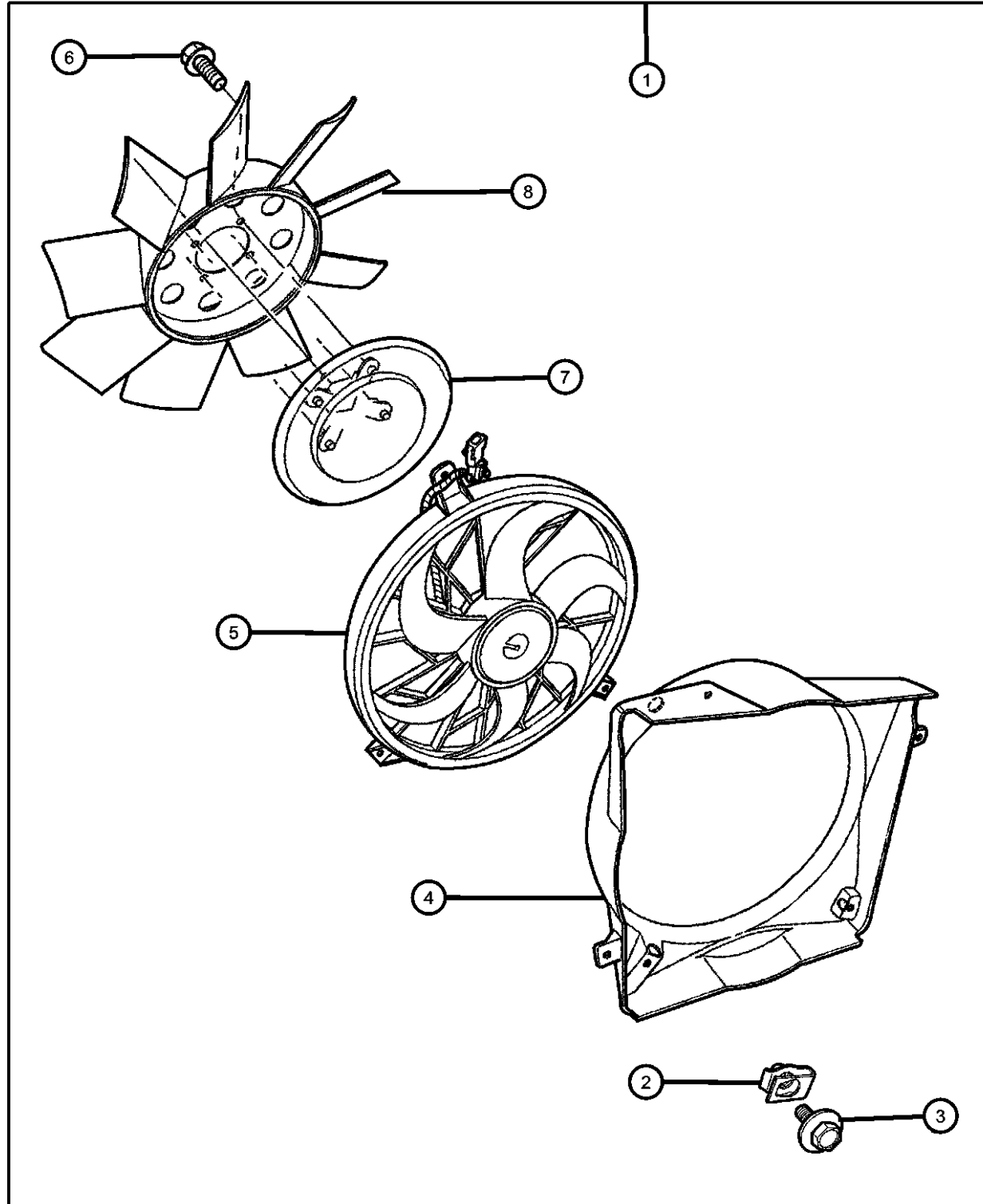
TRANSMISSION

DDD = Transmission - 5-Speed HD
Manual
DDK = Transmission - 5-Speed HD
Manual
DG4 = Transmission-Multi-Speed
Auto, 45RFE
DG6 = Transmission-4-Spd.
Automatic, 42RLE
DGQ = Transmission-5-Spd Automatic
5-45RFE
DBB = All Manual Transmissions
DG0 = All Automatic Transmissions

AR = use ase required - = Non illustrated part

2004 KJ

Fan Kit - Engine
Figure 1-270



ITEM	PART NUMBER	QTY	LINE	SERIES	BODY	ENGINE	TRANS	TRIM	DESCRIPTION
1	82208909	1			74				FAN KIT, Cooling Heavy Duty
2	06505172AA	1			74				U-NUT, M6x1.00
3	06102117AA	1			74				SCREW AND WASHER, Hex Head, M6x1x20
4	52080127AA	1			74				SHROUD, Fan
5	52079654AD	1							FAN, Cooling
6	06034860	1			74				BOLT AND WASHER, Implement Attaching
7	52079718AD	1							DRIVE, Fan
8	55037691AA	1							FAN, Cooling

LIBERTY (KJ)

SERIES LINE
P = Limited J = LHD (4WD)
H = Sport U = RHD (4WD)
M = Renegade T = LHD (2WD)

BODY
74 = 4 Door (104.3 WB)

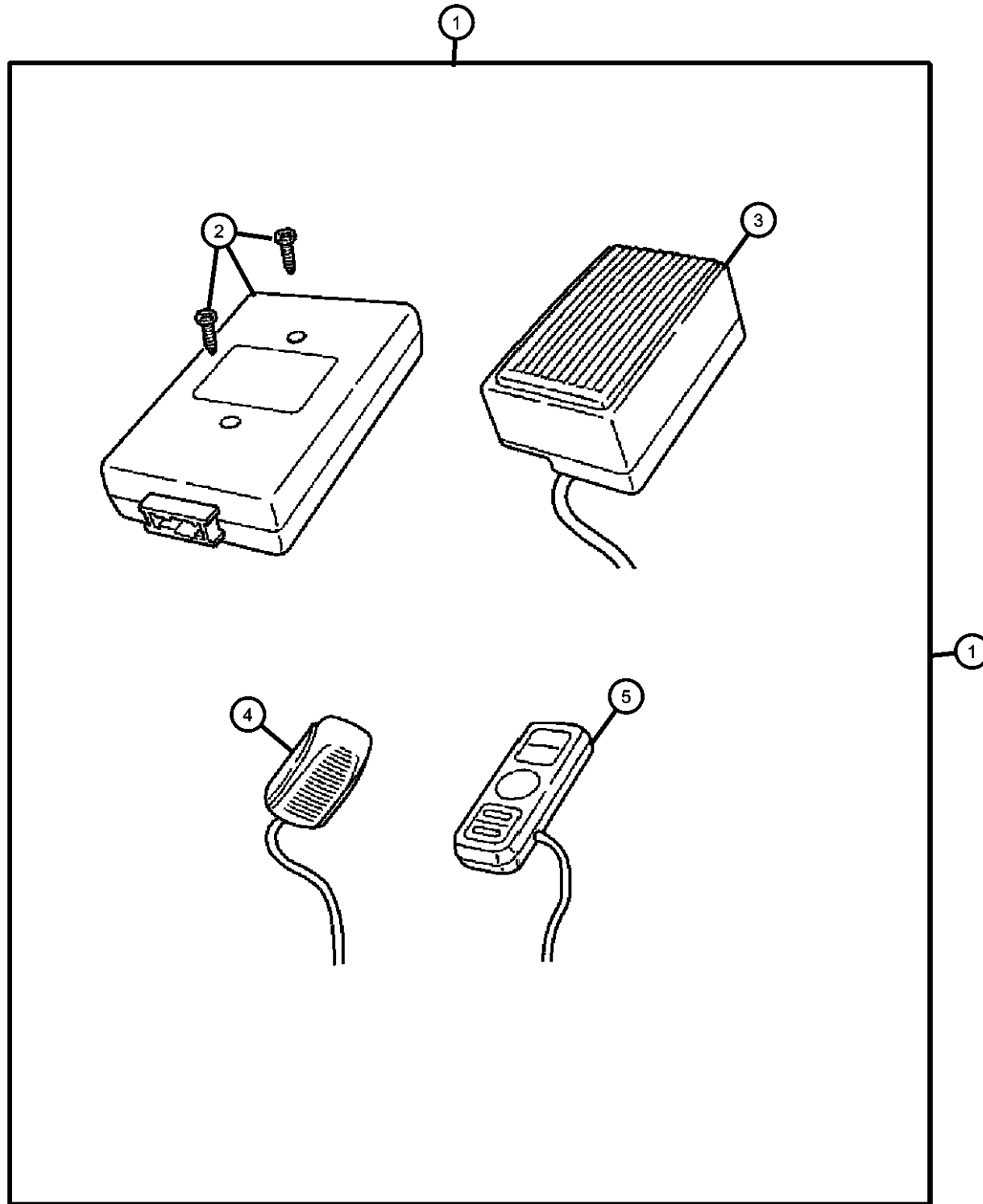
ENGINE
ED1 = Engine - 2.4L 4 Cyl DOHC 16v SMPI
EKG = Engine - 3.7L V6
ENJ = Engine -2.5L 4 Cyl 16V Turbo Diesel
ENR = Engine - 2.8L 4 Cyl Turbo Diesel
ENO = 4Cyl Turbo Diesel
EKO = All 3.7L
EDO = All 2.4L

TRANSMISSION
DDD = Transmission - 5-Speed HD Manual
DDK = Transmission - 5-Speed HD Manual
DG4 = Transmission-Multi-Speed Auto, 45RFE
DG6 = Transmission-4-Spd. Automatic, 42RLE
DGQ = Transmission-5-Spd Automatic 5-45RFE
DBB = All Manual Transmissions
DG0 = All Automatic Transmissions

AR = use ase required - = Non illustrated part

2004 KJ

Hands Free Kit/Cellular Phone Blue Tooth
Figure 1-320



ITEM	PART NUMBER	QTY	LINE	SERIES	BODY	ENGINE	TRANS	TRIM	DESCRIPTION
1	82207853AD	1							HANDS FREE KIT, Cellular Phone
2	05114359AC	1							MODULE, U Connect
3	05102026AA	1							SPEAKER, Front
4	05102025AA	1							MICROPHONE, Audio
5	05102027AA	1							CONTROLLER, Audio

LIBERTY (KJ)

SERIES LINE
P = Limited J = LHD (4WD)
H = Sport U = RHD (4WD)
M = Renegade T = LHD (2WD)

BODY
74 = 4 Door (104.3 WB)

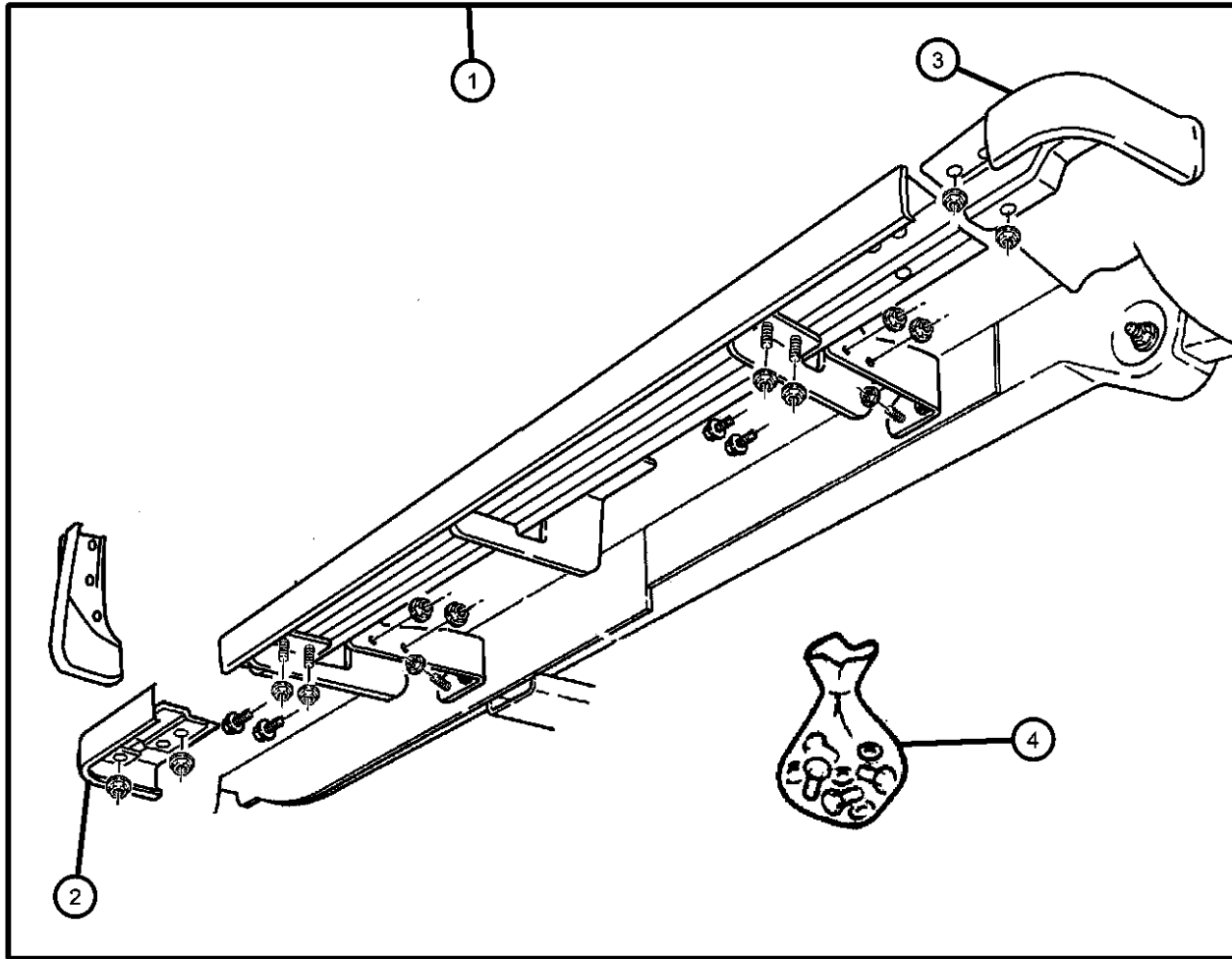
ENGINE
ED1 = Engine - 2.4L 4 Cyl DOHC 16v SMPI
EKG = Engine - 3.7L V6
ENJ = Engine -2.5L 4 Cyl 16V Turbo Diesel
ENR = Engine - 2.8L 4 Cyl Turbo Diesel
ENO = 4Cyl Turbo Diesel
EKO = All 3.7L
EDO = All 2.4L

TRANSMISSION
DDD = Transmission - 5-Speed HD Manual
DDK = Transmission - 5-Speed HD Manual
DG4 = Transmission-Multi-Speed Auto, 45RFE
DG6 = Transmission-4-Spd. Automatic, 42RLE
DGQ = Transmission-5-Spd Automatic 5-45RFE
DBB = All Manual Transmissions
DG0 = All Automatic Transmissions

AR = use ase required - = Non illustrated part

Running Board Kit
Figure 1-410

ITEM	PART NUMBER	QTY	LINE	SERIES	BODY	ENGINE	TRANS	TRIM	DESCRIPTION
1									RUNNING BOARD KIT, Full
	82207679	1							Primed
	82207680	1							Black [DX8]
	82207681	1			74				Flame Red [PR4]
	82207682	1							Stone White [SW1]
	82207683	1							Patriot Blue [WB7]
	82207685	1							Bright Silver [WS2]
	82207687	1			74				Shale Green [XGR]
	82207688	1							Dark Garnet Red [XRV]
	82207690	1							Gray, Matches Cladding
2									END CAP, Running Board, Unpainted
	05086043AA	1							Front Left
	05086045AA	1							Front Right
3									END CAP, Running Board, Unpainted
	05086044AA	1							Left Rear
	05086046AA	1							Right Rear
4	05083937AA	1							SCREW PACKAGE, Screw



LIBERTY (KJ)

SERIES LINE
P = Limited J = LHD (4WD)
H = Sport U = RHD (4WD)
M = Renegade T = LHD (2WD)

BODY
74 = 4 Door (104.3 WB)

ENGINE
ED1 = Engine - 2.4L 4 Cyl DOHC 16v SMPI
EKG = Engine - 3.7L V6
ENJ = Engine -2.5L 4 Cyl 16V Turbo Diesel
ENR = Engine - 2.8L 4 Cyl Turbo Diesel
ENO = 4Cyl Turbo Diesel
EKO = All 3.7L
EDO = All 2.4L

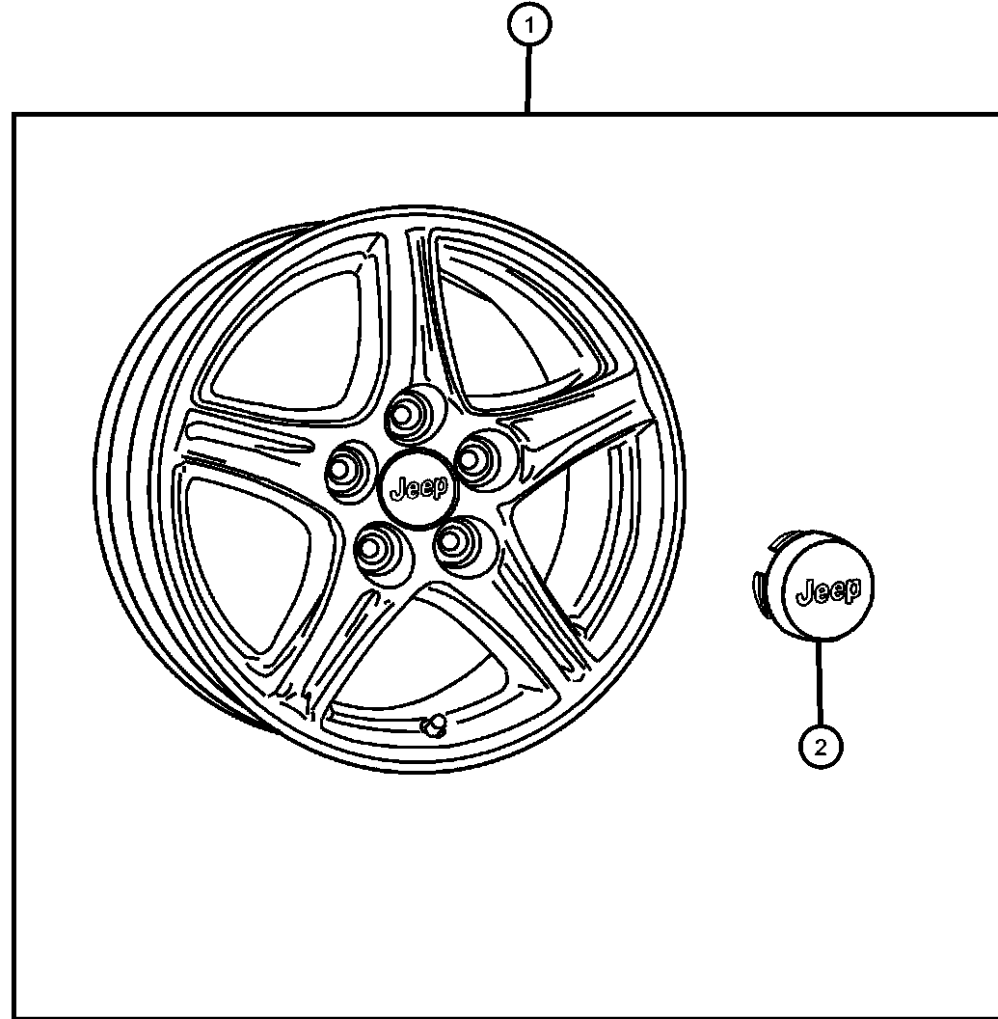
TRANSMISSION
DDD = Transmission - 5-Speed HD Manual
DDK = Transmission - 5-Speed HD Manual
DG4 = Transmission-Multi-Speed Auto, 45RFE
DG6 = Transmission-4-Spd. Automatic, 42RLE
DGQ = Transmission-5-Spd Automatic 5-45RFE
DBB = All Manual Transmissions
DG0 = All Automatic Transmissions

AR = use ase required - = Non illustrated part

2004 KJ

**Wheel Kit
Figure 1-415**

ITEM	PART NUMBER	QTY	LINE	SERIES	BODY	ENGINE	TRANS	TRIM	DESCRIPTION
Note; Item#1, Contains 1 Wheel and 1 Center Cap									
1									WHEEL KIT, Cast Aluminum
	82205580	1							Polished
	82205899	1			74				Chromed
2	05083064AA	1			74				CAP, Wheel Center



LIBERTY (KJ)

SERIES LINE
P = Limited J = LHD (4WD)
H = Sport U = RHD (4WD)
M = Renegade T = LHD (2WD)

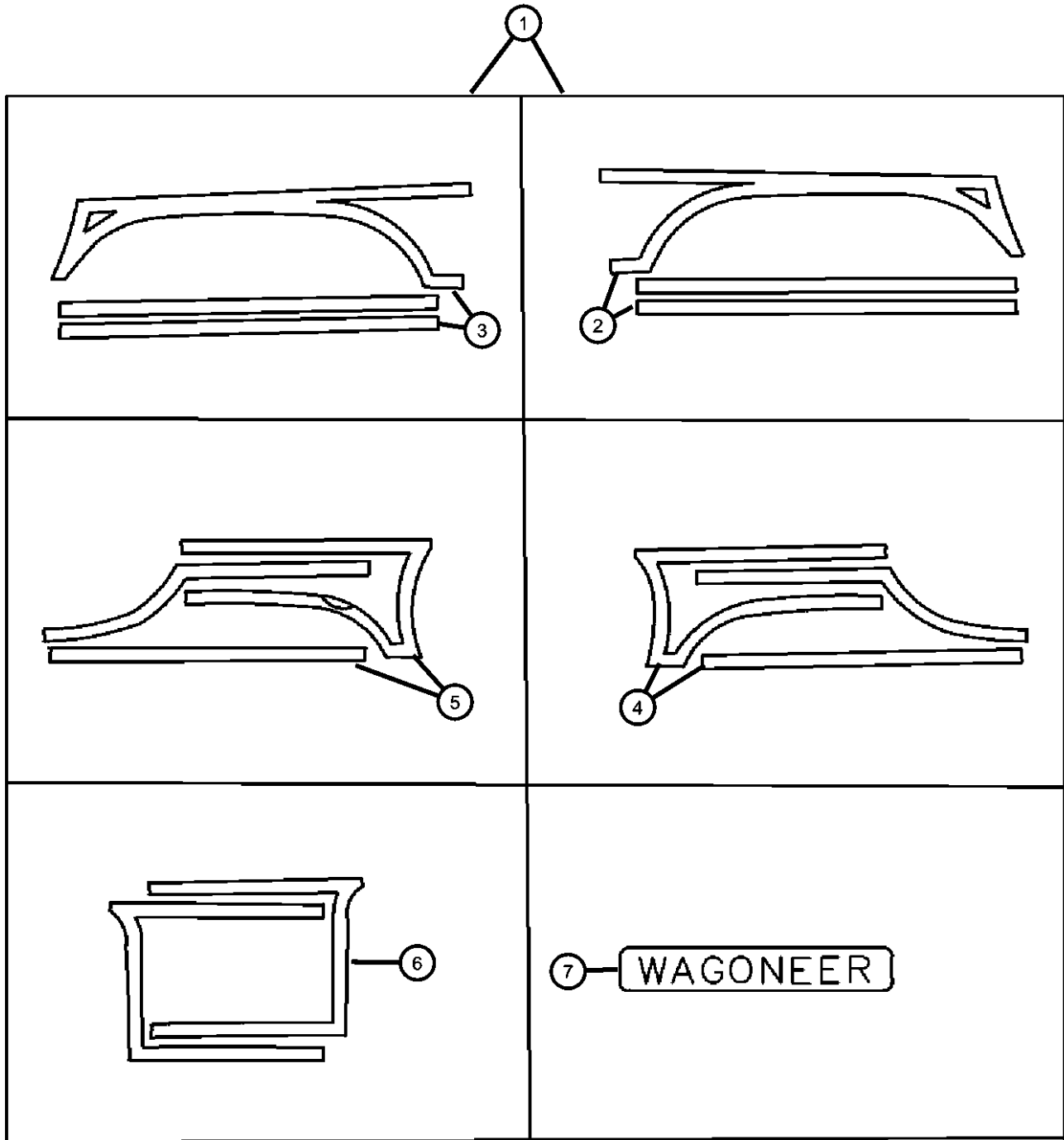
BODY
74 = 4 Door (104.3 WB)

ENGINE
ED1 = Engine - 2.4L 4 Cyl
DOHC 16v SMPI
EKG = Engine - 3.7L V6
ENJ = Engine -2.5L 4 Cyl 16V
Turbo Diesel
ENR = Engine - 2.8L 4 Cyl
Turbo Diesel
ENO = 4Cyl Turbo Diesel
EK0 = All 3.7L
ED0 = All 2.4L

TRANSMISSION
DDD = Transmission - 5-Speed HD
Manual
DDK = Transmission - 5-Speed HD
Manual
DG4 = Transmission-Multi-Speed
Auto, 45RFE
DG6 = Transmission-4-Spd.
Automatic, 42RLE
DGQ = Transmission-5-Spd Automatic
5-45RFE
DBB = All Manual Transmissions
DG0 = All Automatic Transmissions

AR = use ase required - = Non illustrated part

**Decor Kit Bodyside
Figure 1-420**



ITEM	PART NUMBER	QTY	LINE	SERIES	BODY	ENGINE	TRANS	TRIM	DESCRIPTION
1	82208020	1			74				DECOR KIT, Bodyside
2	05103126AA	1			74				MOLDING, Body Side, Door and Fender, Right Front
3	05103127AA	1			74				MOLDING, Body Side, Door and Fender, Left Front
4	05103128AA	1			74				MOLDING, Body Side, Door and Quarter Panel, Right Rear
5	05103129AA	1			74				MOLDING, Body Side, Door and Quarter Panel, Left Rear
6	05103125AA	1			74				MOLDING, Tailgate
7	05103130AA	1			74				NAMEPLATE, WAGONEER
-8	83503186	1			74				OVERLAY, Woodgrain, 17 inch x 50 inch Cut to Fit

LIBERTY (KJ)

SERIES LINE
P = Limited J = LHD (4WD)
H = Sport U = RHD (4WD)
M = Renegade T = LHD (2WD)

BODY
74 = 4 Door (104.3 WB)

ENGINE
ED1 = Engine - 2.4L 4 Cyl DOHC 16v SMPI
EKG = Engine - 3.7L V6
ENJ = Engine -2.5L 4 Cyl 16V Turbo Diesel
ENR = Engine - 2.8L 4 Cyl Turbo Diesel
ENO = 4Cyl Turbo Diesel
EK0 = All 3.7L
ED0 = All 2.4L

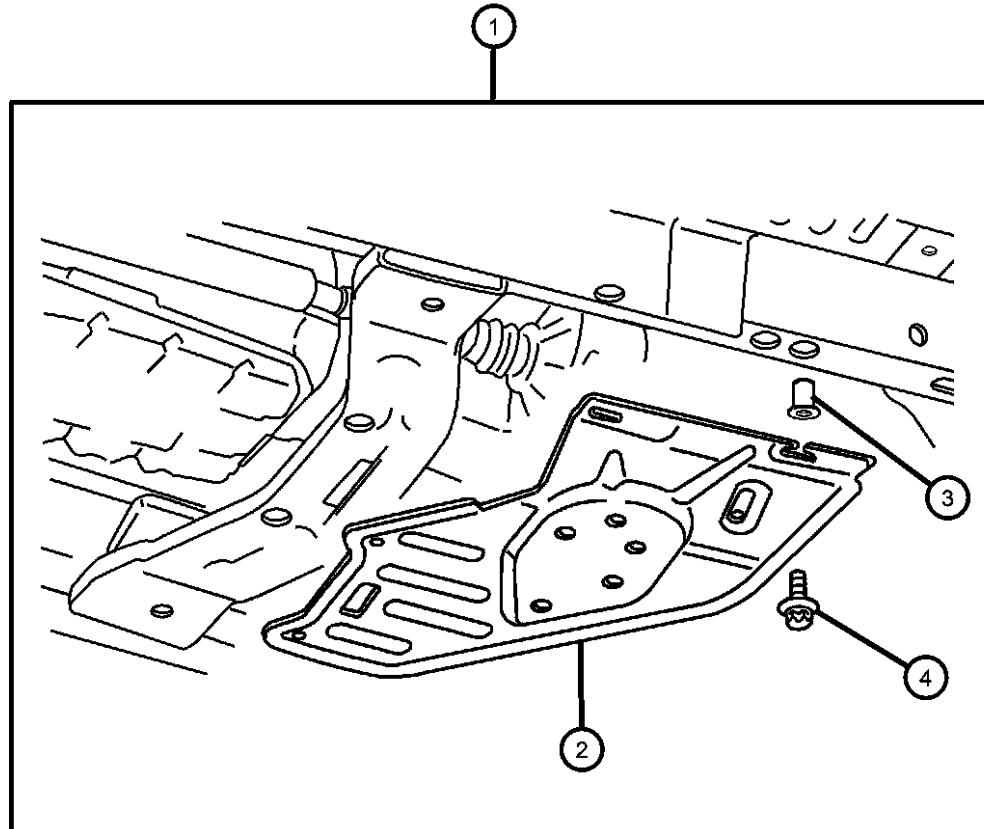
TRANSMISSION
DDD = Transmission - 5-Speed HD Manual
DDK = Transmission - 5-Speed HD Manual
DG4 = Transmission-Multi-Speed Auto, 45RFE
DG6 = Transmission-4-Spd. Automatic, 42RLE
DGQ = Transmission-5-Spd Automatic 5-45RFE
DBB = All Manual Transmissions
DG0 = All Automatic Transmissions

AR = use ase required - = Non illustrated part

2004 KJ

Skid Plate - Transfer Case
Figure 1-510

ITEM	PART NUMBER	QTY	LINE	SERIES	BODY	ENGINE	TRANS	TRIM	DESCRIPTION
1	82208421	1			74				PLATE PACKAGE, Skid - Transfer Case
2	52128649AA	1			74				PLATE, Transfer Case Skid
3	06505294AA	1							RIVET
4	06503571	1							SCREW AND WASHER, M10x1.50x35
-5	05013886AA	1							TOOL, Rivnut



LIBERTY (KJ)

SERIES	LINE
P = Limited	J = LHD (4WD)
H = Sport	U = RHD (4WD)
M = Renegade	T = LHD (2WD)

BODY
74 = 4 Door (104.3 WB)

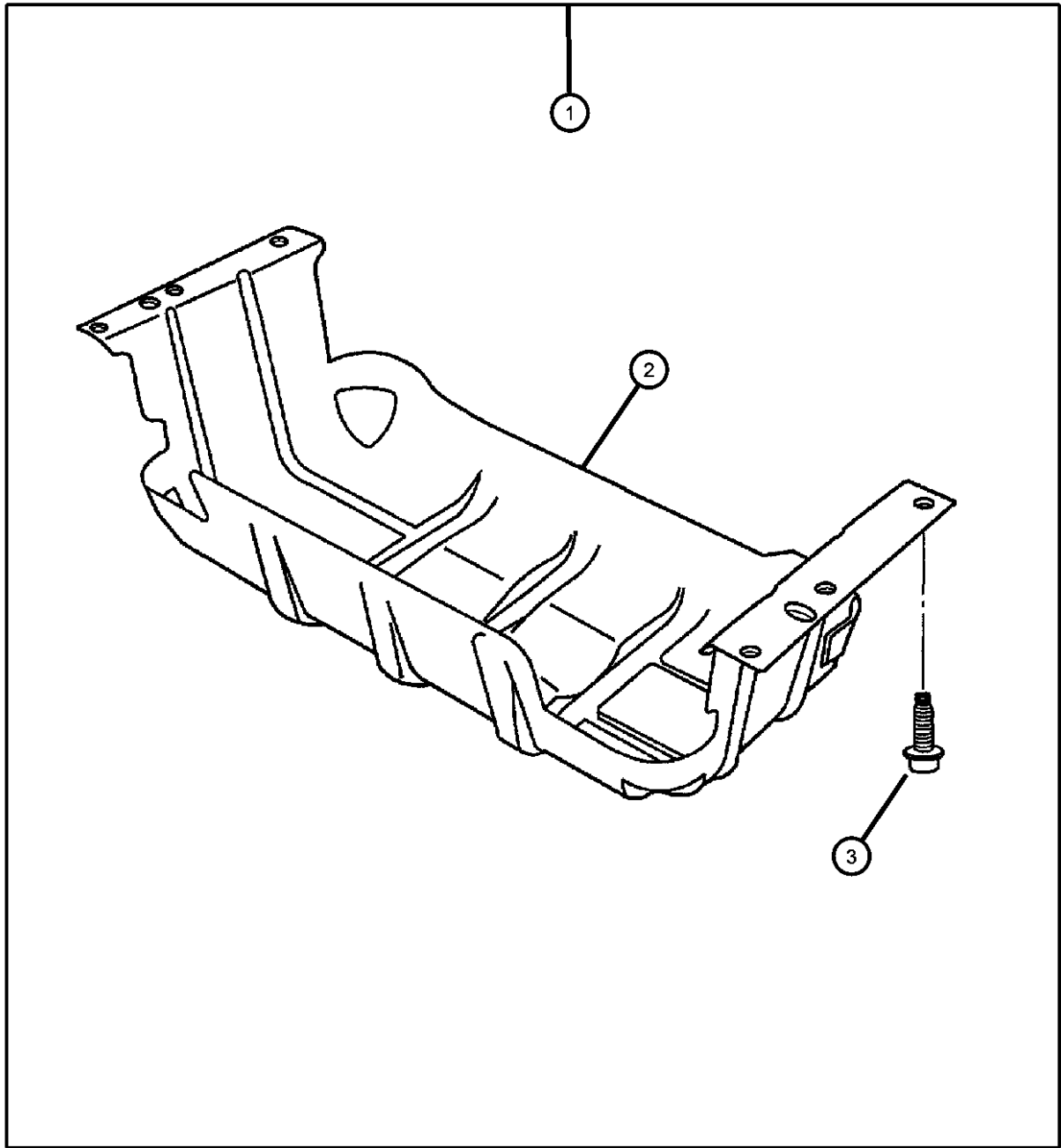
ENGINE	TRANSMISSION
ED1 = Engine - 2.4L 4 Cyl DOHC 16v SMPI	DDD = Transmission - 5-Speed HD Manual
EKG = Engine - 3.7L V6	DDK = Transmission - 5-Speed HD Manual
ENJ = Engine -2.5L 4 Cyl 16V Turbo Diesel	DG4 = Transmission-Multi-Speed Auto, 45RFE
ENR = Engine - 2.8L 4 Cyl Turbo Diesel	DG6 = Transmission-4-Spd. Automatic, 42RLE
ENO = 4Cyl Turbo Diesel	DGQ = Transmission-5-Spd Automatic 5-45RFE
EK0 = All 3.7L	DBB = All Manual Transmissions
ED0 = All 2.4L	DG0 = All Automatic Transmissions

AR = use ase required - = Non illustrated part

2004 KJ

**Skid Plate - Fuel Tank
Figure 1-515**

ITEM	PART NUMBER	QTY	LINE	SERIES	BODY	ENGINE	TRANS	TRIM	DESCRIPTION
1	82206122	1			74				SKID PLATE PACKAGE, Fuel Tank
2	52100332AF	1							PLATE, Skid
3	06502557	6							BOLT, Hex Flange Head, M12x1.75x40



LIBERTY (KJ)

SERIES	LINE
P = Limited	J = LHD (4WD)
H = Sport	U = RHD (4WD)
M = Renegade	T = LHD (2WD)

BODY
74 = 4 Door (104.3 WB)

ENGINE
ED1 = Engine - 2.4L 4 Cyl DOHC 16v SMPI
EKG = Engine - 3.7L V6
ENJ = Engine -2.5L 4 Cyl 16V Turbo Diesel
ENR = Engine - 2.8L 4 Cyl Turbo Diesel
ENO = 4Cyl Turbo Diesel
EK0 = All 3.7L
ED0 = All 2.4L

TRANSMISSION
DDD = Transmission - 5-Speed HD Manual
DDK = Transmission - 5-Speed HD Manual
DG4 = Transmission-Multi-Speed Auto, 45RFE
DG6 = Transmission-4-Spd. Automatic, 42RLE
DGQ = Transmission-5-Spd Automatic 5-45RFE
DBB = All Manual Transmissions
DG0 = All Automatic Transmissions

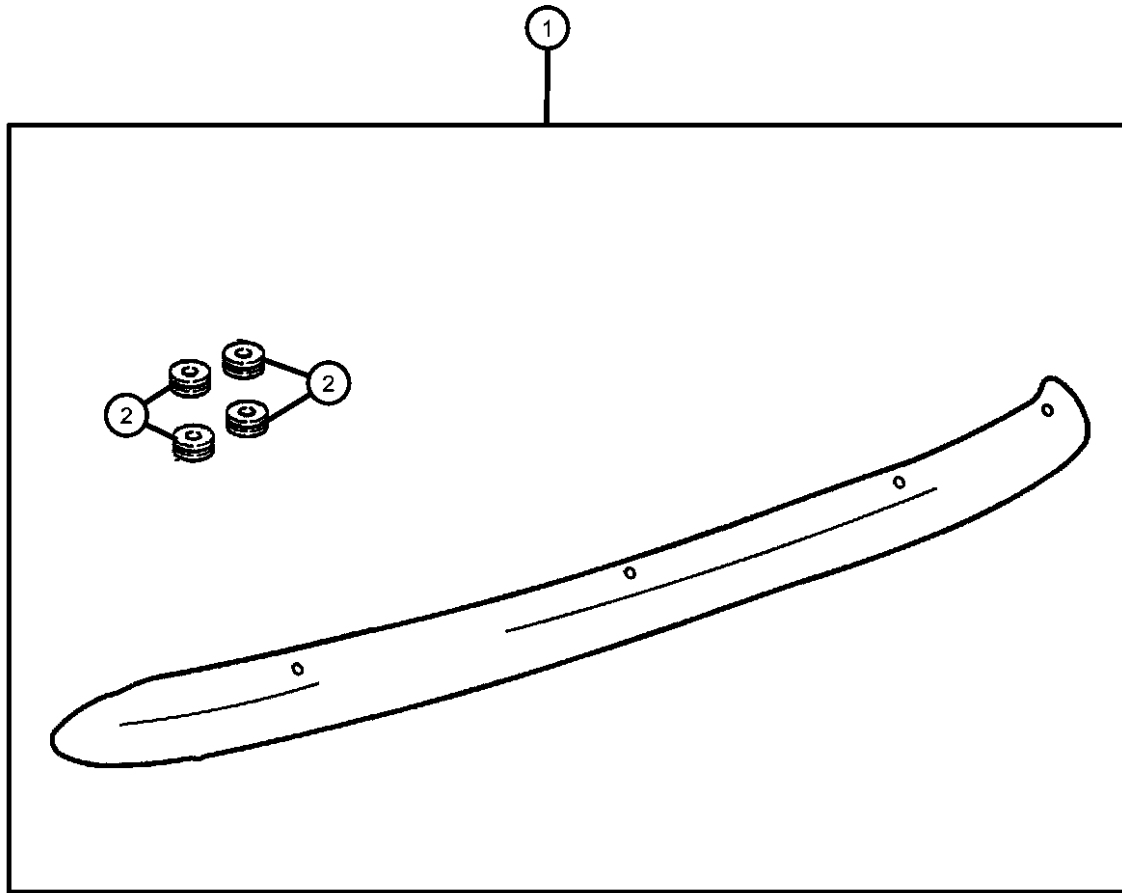
AR = use ase required - = Non illustrated part

Deflector Kit - Air Front
Figure 1-520

ITEM	PART NUMBER	QTY	LINE	SERIES	BODY	ENGINE	TRANS	TRIM	DESCRIPTION
------	-------------	-----	------	--------	------	--------	-------	------	-------------

Note; Use for Vehicles Without Grille Guards

1	82207938	1			74				SHIELD KIT, Air - Front
2	05014754AA	1			74				SPACER, Air Deflector



LIBERTY (KJ)

SERIES	LINE
P = Limited	J = LHD (4WD)
H = Sport	U = RHD (4WD)
M = Renegade	T = LHD (2WD)

BODY
74 = 4 Door (104.3 WB)

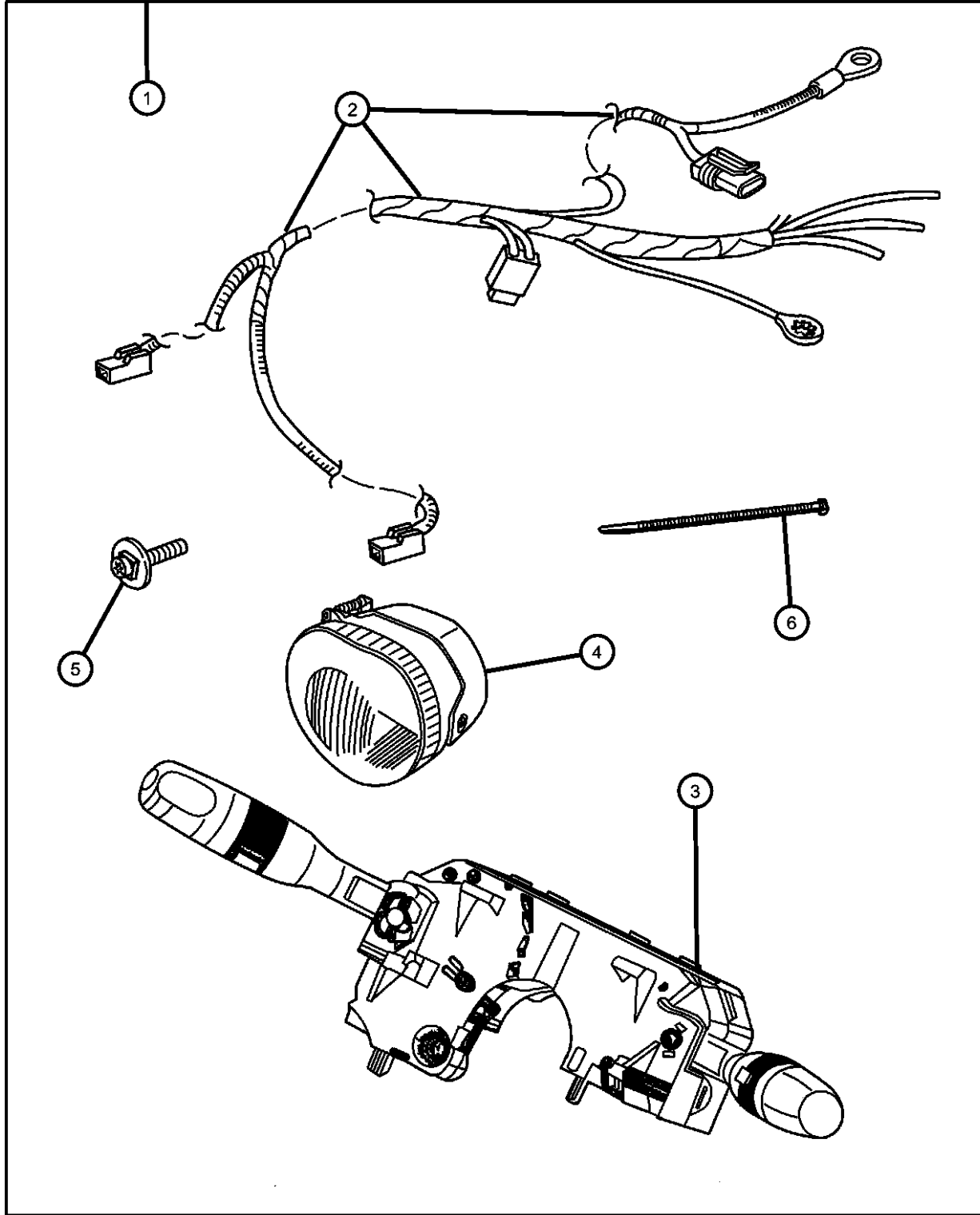
ENGINE
ED1 = Engine - 2.4L 4 Cyl DOHC 16v SMPI
EKG = Engine - 3.7L V6
ENJ = Engine -2.5L 4 Cyl 16V Turbo Diesel
ENR = Engine - 2.8L 4 Cyl Turbo Diesel
ENO = 4Cyl Turbo Diesel
EK0 = All 3.7L
ED0 = All 2.4L

TRANSMISSION
DDD = Transmission - 5-Speed HD Manual
DDK = Transmission - 5-Speed HD Manual
DG4 = Transmission-Multi-Speed Auto, 45RFE
DG6 = Transmission-4-Spd. Automatic, 42RLE
DGQ = Transmission-5-Spd Automatic 5-45RFE
DBB = All Manual Transmissions
DG0 = All Automatic Transmissions

AR = use ase required - = Non illustrated part

2004 KJ

Light Kit - Fog
Figure 1-610



ITEM	PART NUMBER	QTY	LINE	SERIES	BODY	ENGINE	TRANS	TRIM	DESCRIPTION
1	82207998	1							LIGHT PACKAGE, Fog
2	82207998	1							WIRING, Fog Lamp, Serviced in Package, (NOT SERVICED)
3	56010126AF	1							SWITCH, Multifunction
4									LAMP, Fog
	05083895AC	1							Left
	05083896AC	1							Right
5	06506579AA	1							SCREW, Fog Lamp
6	05073039AA	1							STRAP, Tie, Package of 50

LIBERTY (KJ)

SERIES

P = Limited
H = Sport
M = Renegade

LINE

J = LHD (4WD)
U = RHD (4WD)
T = LHD (2WD)

BODY

74 = 4 Door (104.3 WB)

ENGINE

ED1 = Engine - 2.4L 4 Cyl
DOHC 16v SMPI
EKG = Engine - 3.7L V6
ENJ = Engine -2.5L 4 Cyl 16V
Turbo Diesel
ENR = Engine - 2.8L 4 Cyl
Turbo Diesel
ENO = 4Cyl Turbo Diesel
EKO = All 3.7L
EDO = All 2.4L

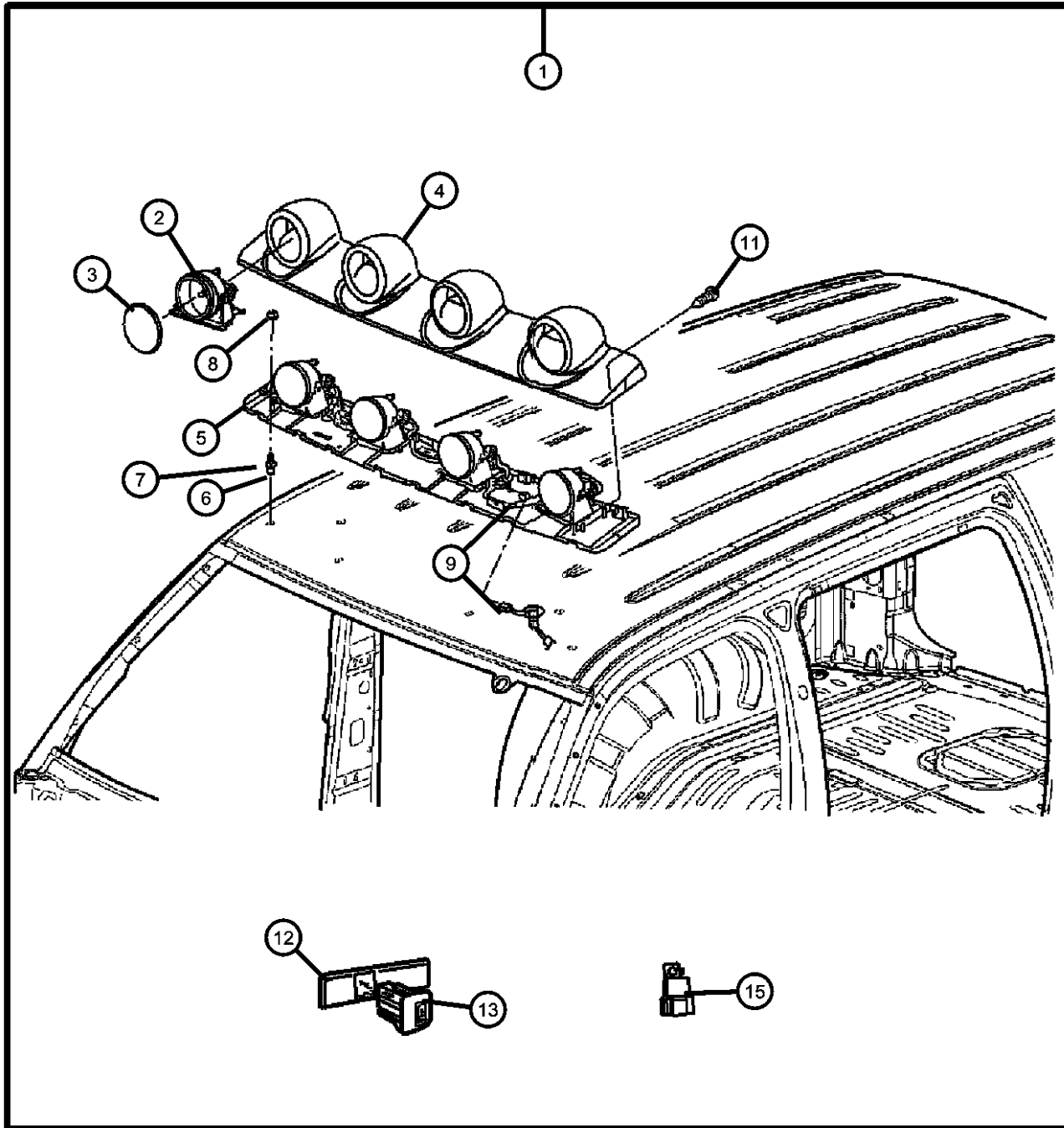
TRANSMISSION

DDD = Transmission - 5-Speed HD
Manual
DDK = Transmission - 5-Speed HD
Manual
DG4 = Transmission-Multi-Speed
Auto, 45RFE
DG6 = Transmission-4-Spd.
Automatic, 42RLE
DGQ = Transmission-5-Spd Automatic
5-45RFE
DBB = All Manual Transmissions
DG0 = All Automatic Transmissions

AR = use ase required - = Non illustrated part

2004 KJ

Light Bar Roof
Figure 1-615



ITEM	PART NUMBER	QTY	LINE	SERIES	BODY	ENGINE	TRANS	TRIM	DESCRIPTION
1	82206126	1			74				BAR KIT, Light
2	52112063AC	4							LAMP, Off Road
3	5HZ07RXFAB	4							COVER, Lamp
4	5HZ08RXFAF	1							COVER, Light Bar Support
5	05083967AA	1							BAR, Light Support
6	06503952	1			74				SCREW, Pan Head, M6x1.0x17.00
7	06100876	1			74				WASHER, Flat, M6.82x17.00x1.75
8	06504710	1			74				NUT/RIVET, M6x1.00x13.50
9	56010419AB	1							WIRING, Roof Lamps
-10	05073039AA	1	J, U						STRAP, Tie, Bag of 50
11	06507783AA	4							SCREW, Shoulder
12									BEZEL, Instrument Panel
	0XW301DVAA	1	J, T						Quartz
	0XW301L8AA	1	J, T						Brown
13	56010417AC	1							SWITCH, Off Road Lamp
-14	05066562AA	1							TOOL, Rivnut
15	05066562AA	1							RELAY, (NOT SERVICED)

LIBERTY (KJ)

SERIES LINE
P = Limited J = LHD (4WD)
H = Sport U = RHD (4WD)
M = Renegade T = LHD (2WD)

BODY
74 = 4 Door (104.3 WB)

ENGINE
ED1 = Engine - 2.4L 4 Cyl
DOHC 16v SMPI
EKG = Engine - 3.7L V6
ENJ = Engine -2.5L 4 Cyl 16V
Turbo Diesel
ENR = Engine - 2.8L 4 Cyl
Turbo Diesel
ENO = 4Cyl Turbo Diesel
EKO = All 3.7L
EDO = All 2.4L

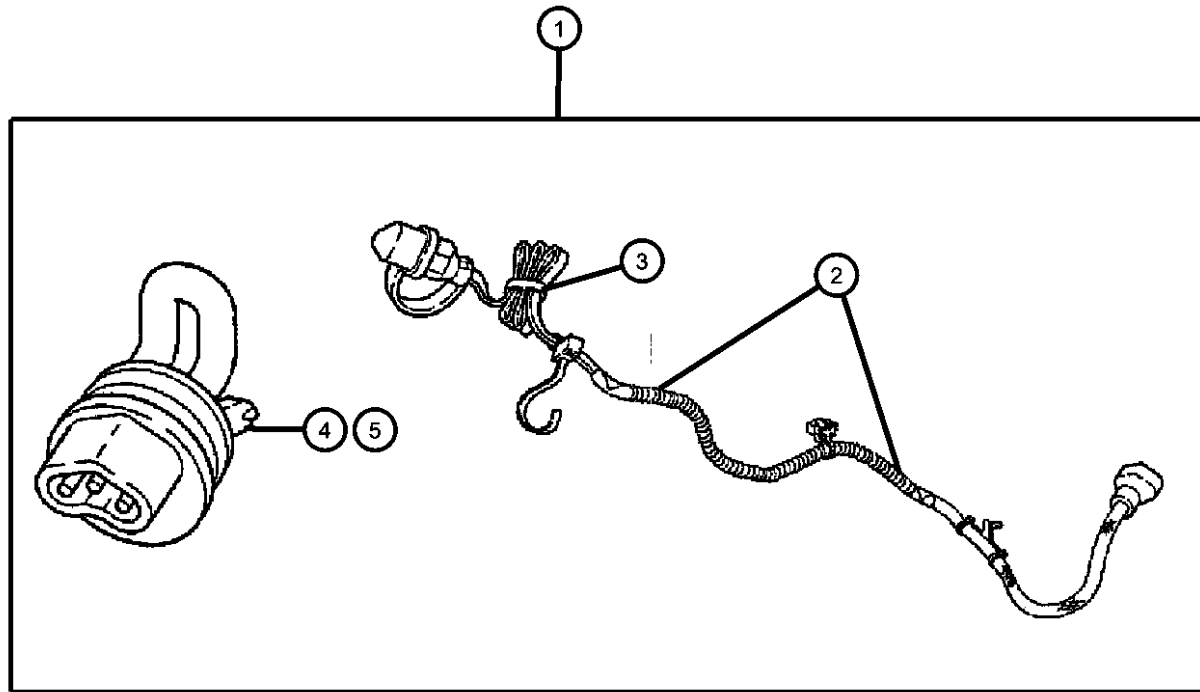
TRANSMISSION
DDD = Transmission - 5-Speed HD
Manual
DDK = Transmission - 5-Speed HD
Manual
DG4 = Transmission-Multi-Speed
Auto, 45RFE
DG6 = Transmission-4-Spd.
Automatic, 42RLE
DGQ = Transmission-5-Spd Automatic
5-45RFE
DBB = All Manual Transmissions
DG0 = All Automatic Transmissions

AR = use ase required - = Non illustrated part

2004 KJ

Heater Kit
Figure 1-620

ITEM	PART NUMBER	QTY	LINE	SERIES	BODY	ENGINE	TRANS	TRIM	DESCRIPTION
1	82207243	1							HEATER KIT, Engine Block 2.4L Engine
	82207244	1							3.7L Engine
2	56041974AA	1							CORD, Engine Block Heater 3.7L Engine
	56044160AA	1							2.4L Engine
3	05073039AA	1							STRAP, Tie, Package of 50
4	04557686AB	1							HEATER, Engine Block, 2.4L Engine
5	04557686AB	1							HEATER, Engine Block, 3.7L Engine Serviced in Item 1 Only, (NOT SERVICED)



LIBERTY (KJ)

SERIES LINE
P = Limited J = LHD (4WD)
H = Sport U = RHD (4WD)
M = Renegade T = LHD (2WD)

BODY
74 = 4 Door (104.3 WB)

ENGINE
ED1 = Engine - 2.4L 4 Cyl
DOHC 16v SMPI
EKG = Engine - 3.7L V6
ENJ = Engine -2.5L 4 Cyl 16V
Turbo Diesel
ENR = Engine - 2.8L 4 Cyl
Turbo Diesel
ENO = 4Cyl Turbo Diesel
EKO = All 3.7L
EDO = All 2.4L

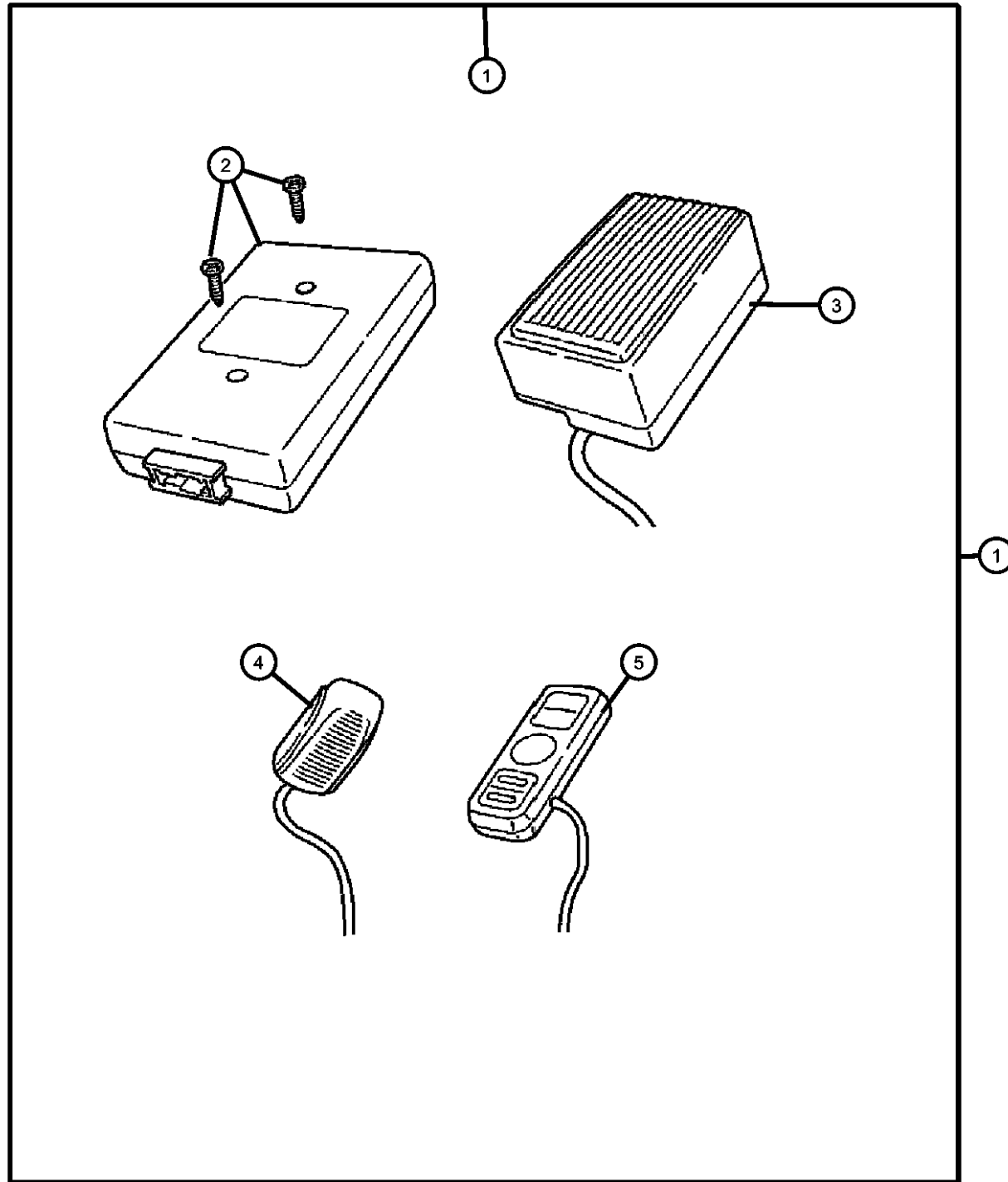
TRANSMISSION
DDD = Transmission - 5-Speed HD
Manual
DDK = Transmission - 5-Speed HD
Manual
DG4 = Transmission-Multi-Speed
Auto, 45RFE
DG6 = Transmission-4-Spd.
Automatic, 42RLE
DGQ = Transmission-5-Spd Automatic
5-45RFE
DBB = All Manual Transmissions
DG0 = All Automatic Transmissions

AR = use ase required - = Non illustrated part

2004 KJ

Hands Free Kit - Cellular Phone - Blue Tooth
Figure 1-625

ITEM	PART NUMBER	QTY	LINE	SERIES	BODY	ENGINE	TRANS	TRIM	DESCRIPTION
------	-------------	-----	------	--------	------	--------	-------	------	-------------



Note: For Warranty Repair On Item 2, Order Through [GPOP] Function 11, Using Z Prefix

1	82207853AC	1							HANDS FREE KIT, Cellular Phone
2	05114359AC	1							MODULE, U Connect
3	05102026AA	1							SPEAKER, Front
4	05102025AA	1							MICROPHONE, Audio
5	05102027AA	1							CONTROLLER, Audio

LIBERTY (KJ)

SERIES	LINE
P = Limited	J = LHD (4WD)
H = Sport	U = RHD (4WD)
M = Renegade	T = LHD (2WD)

BODY
74 = 4 Door (104.3 WB)

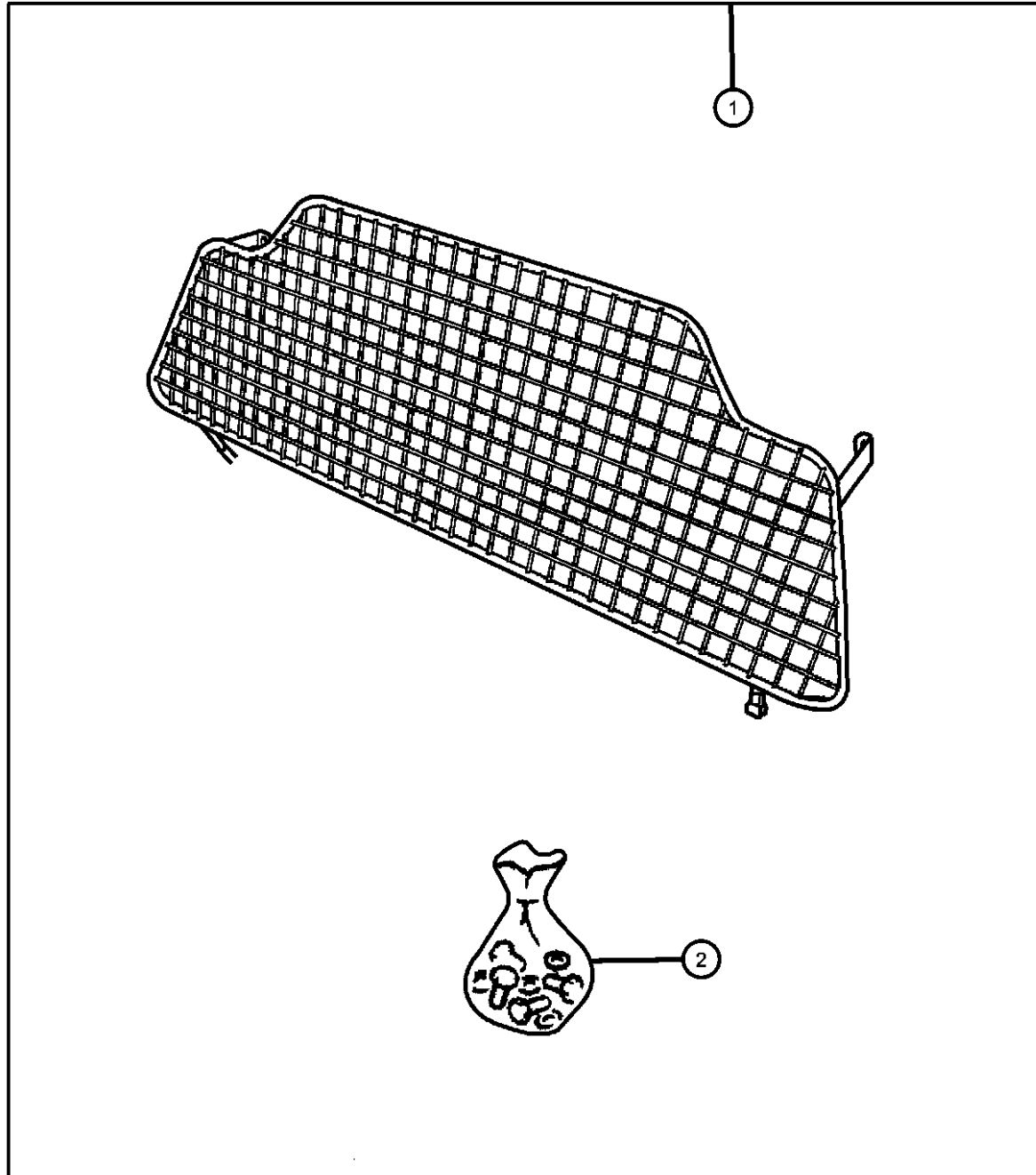
ENGINE	TRANSMISSION
ED1 = Engine - 2.4L 4 Cyl DOHC 16v SMPI	DDD = Transmission - 5-Speed HD Manual
EKG = Engine - 3.7L V6	DDK = Transmission - 5-Speed HD Manual
ENJ = Engine -2.5L 4 Cyl 16V Turbo Diesel	DG4 = Transmission-Multi-Speed Auto, 45RFE
ENR = Engine - 2.8L 4 Cyl Turbo Diesel	DG6 = Transmission-4-Spd. Automatic, 42RLE
ENO = 4Cyl Turbo Diesel	DGQ = Transmission-5-Spd Automatic 5-45RFE
EK0 = All 3.7L	DBB = All Manual Transmissions
ED0 = All 2.4L	DG0 = All Automatic Transmissions

AR = use ase required - = Non illustrated part

2004 KJ

Guard Kit - Dog
Figure 1-810

ITEM	PART NUMBER	QTY	LINE	SERIES	BODY	ENGINE	TRANS	TRIM	DESCRIPTION
1	82206855	1			74				GUARD KIT, Dog Guard
2	05086022AA	1			74				HARDWARE KIT, Load Partition



LIBERTY (KJ)

SERIES

P = Limited
H = Sport
M = Renegade

LINE

J = LHD (4WD)
U = RHD (4WD)
T = LHD (2WD)

BODY

74 = 4 Door (104.3 WB)

ENGINE

ED1 = Engine - 2.4L 4 Cyl
DOHC 16v SMPI
EKG = Engine - 3.7L V6
ENJ = Engine -2.5L 4 Cyl 16V
Turbo Diesel
ENR = Engine - 2.8L 4 Cyl
Turbo Diesel
ENO = 4Cyl Turbo Diesel
EKO = All 3.7L
EDO = All 2.4L

TRANSMISSION

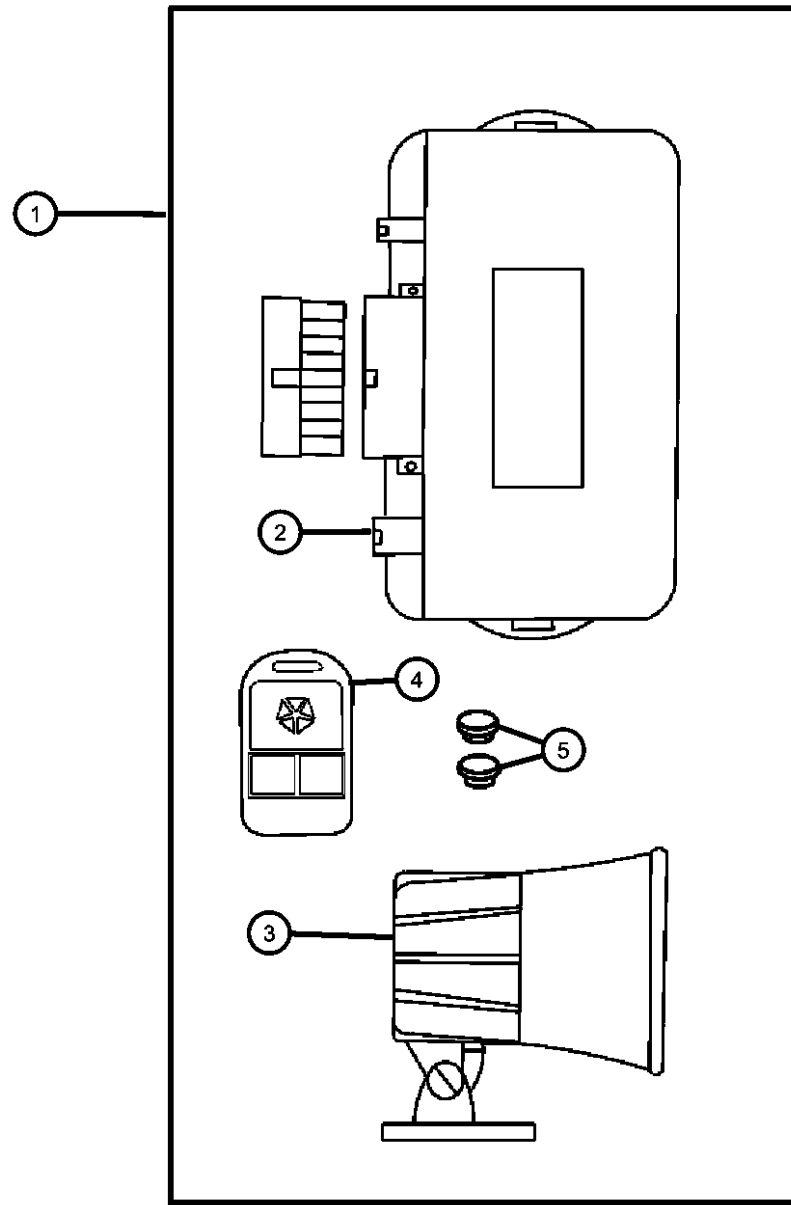
DDD = Transmission - 5-Speed HD
Manual
DDK = Transmission - 5-Speed HD
Manual
DG4 = Transmission-Multi-Speed
Auto, 45RFE
DG6 = Transmission-4-Spd.
Automatic, 42RLE
DGQ = Transmission-5-Spd Automatic
5-45RFE
DBB = All Manual Transmissions
DG0 = All Automatic Transmissions

AR = use ase required - = Non illustrated part

2004 KJ

**Alarm - EVS II Base System
Figure 1-910**

ITEM	PART NUMBER	QTY	LINE	SERIES	BODY	ENGINE	TRANS	TRIM	DESCRIPTION
1	82203763	1			74				MODULE KIT, Alarm without Keyless
2	05012164AA	1			74				MODULE, Security Alarm
3	82203198	1			74				SIREN, Alarm
4	04886374AA	1			74				TRANSMITTER, Alarm or Keyless
5	04636141	1			74				BATTERY, Transmitter
-6	04886259AA	1			74				INDICATOR, Valet Status
-7	04886258AA	1			74				SWITCH, Programing Bypass



LIBERTY (KJ)

SERIES LINE
P = Limited J = LHD (4WD)
H = Sport U = RHD (4WD)
M = Renegade T = LHD (2WD)

BODY
74 = 4 Door (104.3 WB)

ENGINE
ED1 = Engine - 2.4L 4 Cyl DOHC 16v SMPI
EKG = Engine - 3.7L V6
ENJ = Engine -2.5L 4 Cyl 16V Turbo Diesel
ENR = Engine - 2.8L 4 Cyl Turbo Diesel
ENO = 4Cyl Turbo Diesel
EK0 = All 3.7L
ED0 = All 2.4L

TRANSMISSION
DDD = Transmission - 5-Speed HD Manual
DDK = Transmission - 5-Speed HD Manual
DG4 = Transmission-Multi-Speed Auto, 45RFE
DG6 = Transmission-4-Spd. Automatic, 42RLE
DGQ = Transmission-5-Spd Automatic 5-45RFE
DBB = All Manual Transmissions
DG0 = All Automatic Transmissions

AR = use ase required - = Non illustrated part

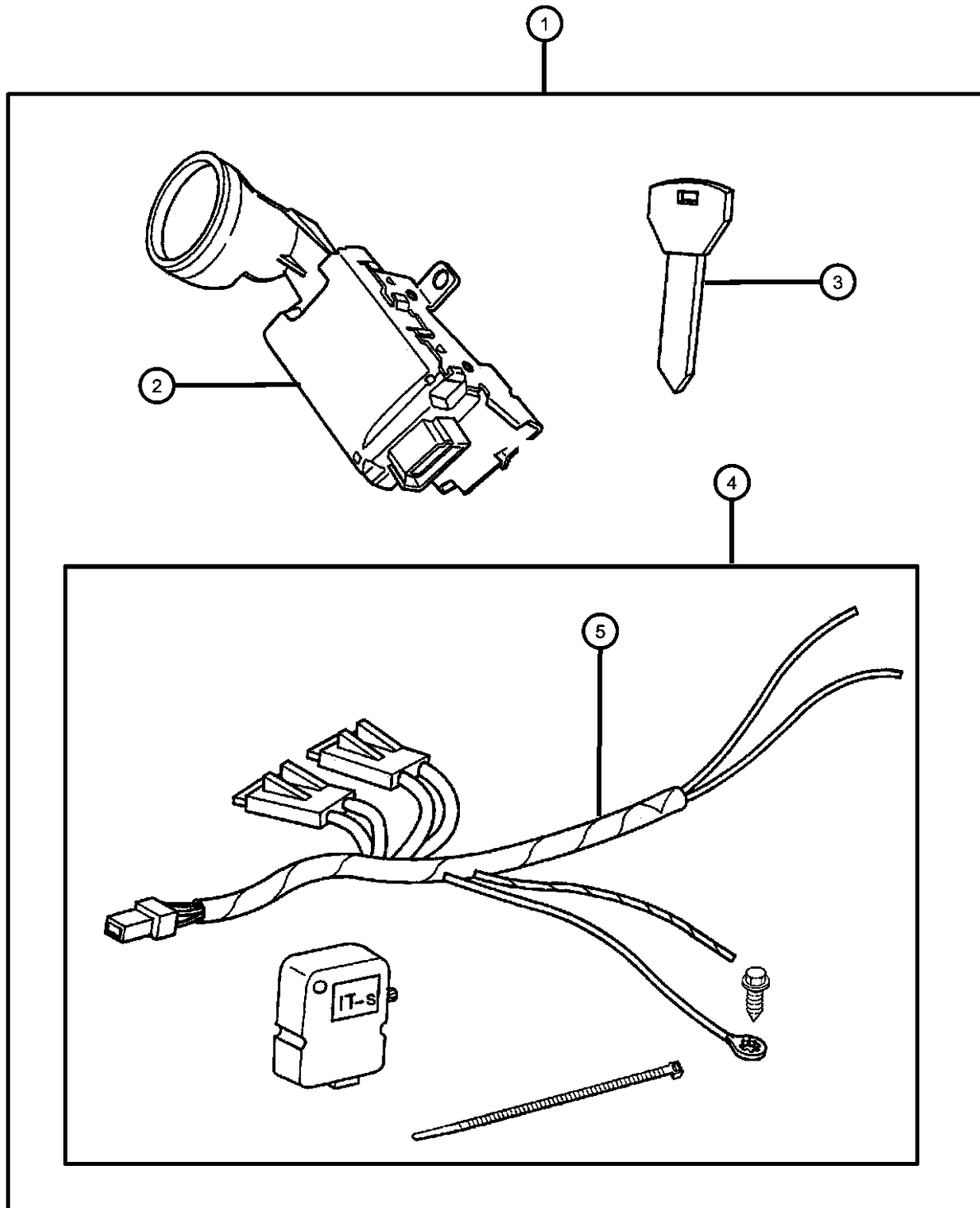
Alarm - EVS II Plus System
Figure 1-915

ITEM	PART NUMBER	QTY	LINE	SERIES	BODY	ENGINE	TRANS	TRIM	DESCRIPTION
------	-------------	-----	------	--------	------	--------	-------	------	-------------

NOTE: Upgrade for Power Convenience Group

1	82207139	1							ALARM PACKAGE, Security With Sentry Key
2	56010209AC	1							MODULE, Immobilizer
3	05018699AA	1							KEY, Master
4	82207070	1							SENSOR KIT, Shock
5	82207070	1							WIRING KIT, Alarm Security Plus, Shock Sensor, (NOT SERVICED)

ALARM PACKAGE, Security With Sentry Key
MODULE, Immobilizer
KEY, Master
SENSOR KIT, Shock
WIRING KIT, Alarm Security Plus, Shock Sensor, (NOT SERVICED)



LIBERTY (KJ)

SERIES

P = Limited
H = Sport
M = Renegade

LINE

J = LHD (4WD)
U = RHD (4WD)
T = LHD (2WD)

BODY

74 = 4 Door (104.3 WB)

ENGINE

ED1 = Engine - 2.4L 4 Cyl
DOHC 16v SMPI
EKG = Engine - 3.7L V6
ENJ = Engine -2.5L 4 Cyl 16V
Turbo Diesel
ENR = Engine - 2.8L 4 Cyl
Turbo Diesel
ENO = 4Cyl Turbo Diesel
EKO = All 3.7L
EDO = All 2.4L

TRANSMISSION

DDD = Transmission - 5-Speed HD
Manual
DDK = Transmission - 5-Speed HD
Manual
DG4 = Transmission-Multi-Speed
Auto, 45RFE
DG6 = Transmission-4-Spd.
Automatic, 42RLE
DGQ = Transmission-5-Spd Automatic
5-45RFE
DBB = All Manual Transmissions
DG0 = All Automatic Transmissions

AR = use ase required - = Non illustrated part

2004 KJ

Group - 2

Front Suspension & Drive

Group - 2 Front Suspension & Drive

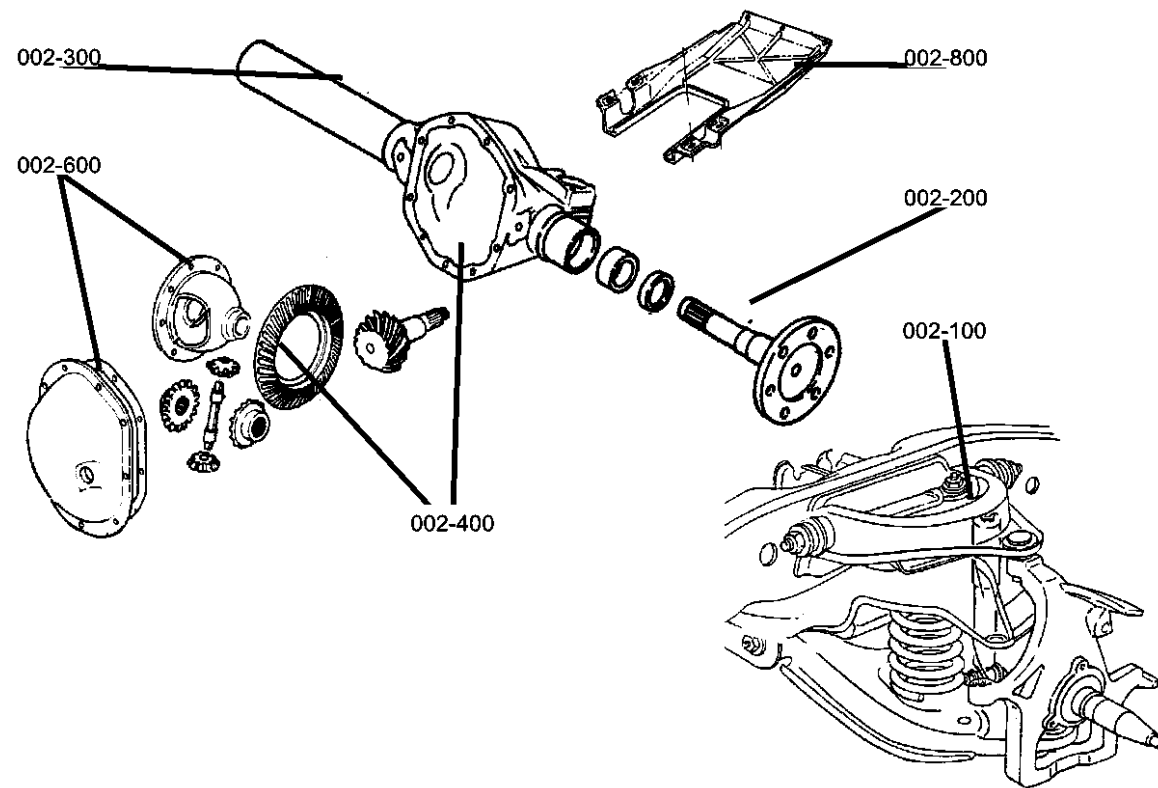


Illustration Title

Group-Fig. No.

Front Suspension

Suspension,Front and Strut	Fig. 2 - 110
Bar,Front Sway	Fig. 2 - 120

Front Axle Drive Shafts

Axle Shafts,Front	Fig. 2 - 210
-------------------------	--------------

Front Axle Housing

Housing,Axle,Front	Fig. 2 - 310
--------------------------	--------------

Front Axle Assembly

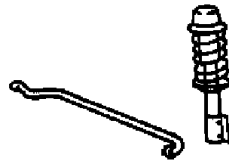
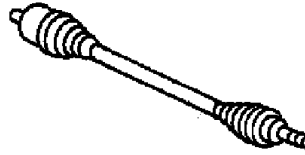
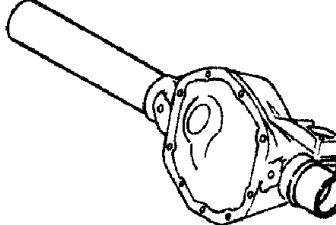
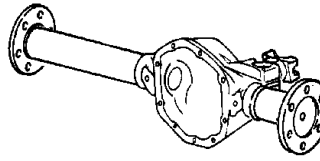
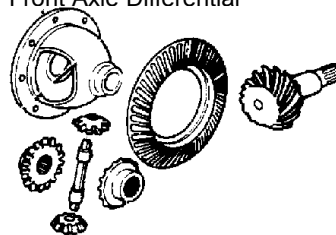
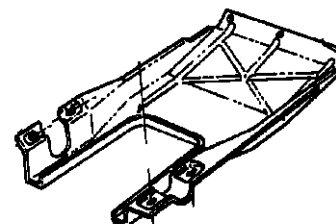
Axle Assembly,Front	Fig. 2 - 410
---------------------------	--------------

Front Axle Differential

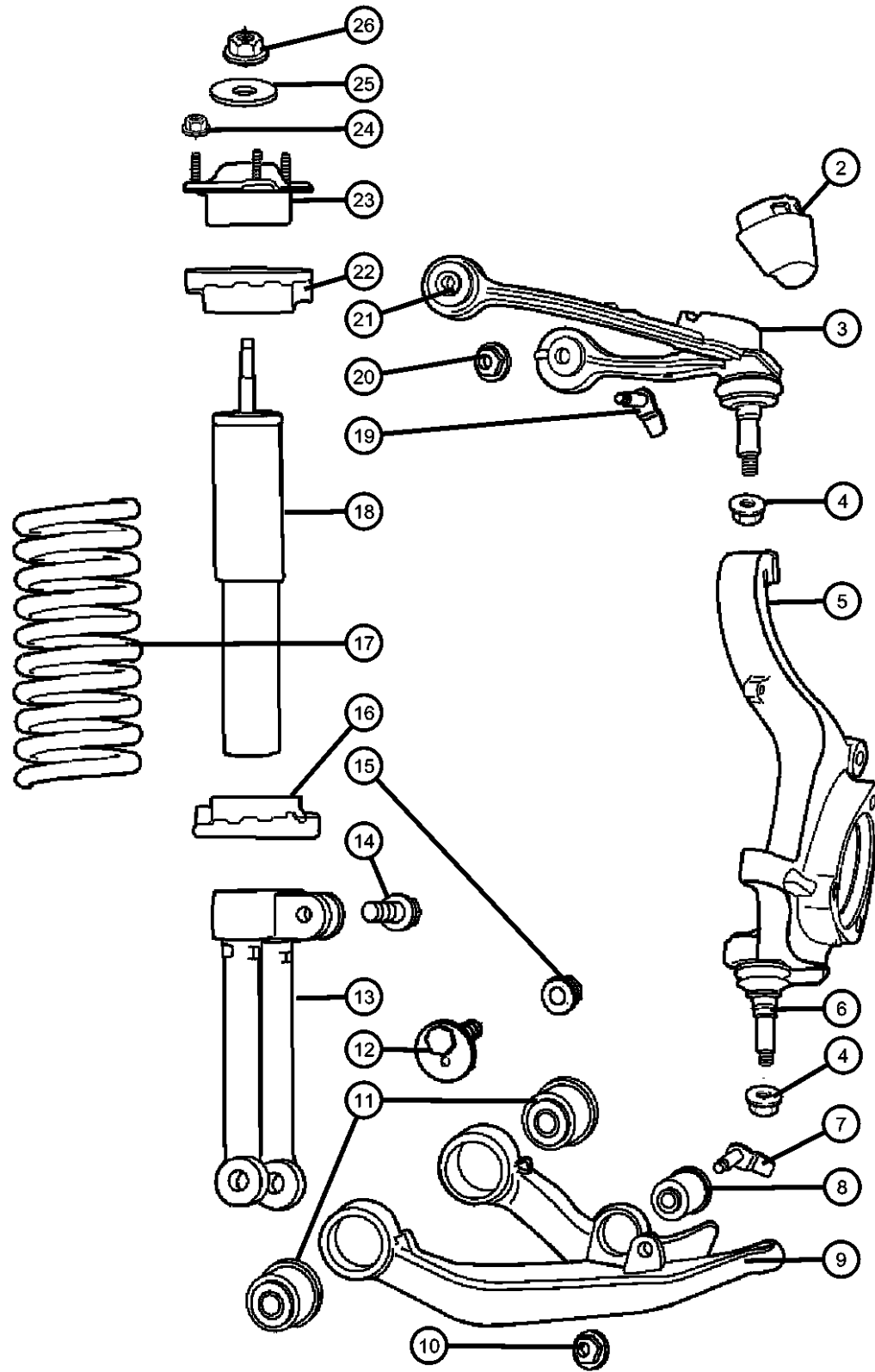
Differential,Front Axle	Fig. 2 - 610
-------------------------------	--------------

Front Axle Skid Plate

Skid Plate,Front Axle	Fig. 2 - 810
-----------------------------	--------------

<p>002-100 Front Suspension</p> 	<p>002-200 Front Axle Drive Shafts</p> 	<p>002-300 Front Axle Housing</p> 	<p>002-400 Front Axle Assembly</p> 
<p>002-600 Front Axle Differential</p> 	<p>002-800 Front Axle Skid Plate</p> 		

Suspension,Front and Strut
Figure 2-110



ITEM	PART NUMBER	QTY	LINE	SERIES	BODY	ENGINE	TRANS	TRIM	DESCRIPTION
------	-------------	-----	------	--------	------	--------	-------	------	-------------

Note:Sales Codes;

[ZCC] Through [ZRK] = Spring Sales Codes will Be Found On Vehicle Identification Number [VIN] Sales Code Listing

-1	55360201AC	1							CUP, Jounce BumperRight or Left
2	52088684AC	2							BUMPER, JounceRight or Left
3	52088632AB	2							ARM, Control, With Bushings and Balljoint, Right or Left
4	06505623AA	2							NUT AND WASHER, UCA and LCA to Knuckle, Mounting
5									KNUCKLE, Front
	52088652AD	1							Without Lower Balljoint, Right
	52088653AD	1							Without Lower Balljoint, Left
6	05114037AA	1							BALL JOINT PACKAGE, Lower Control ArmRight or Left
7	06507275AA	2							BOLT AND RETAINER, Hex Head, Clevis to LCA, Mounting
8									BUSHING, Pivot
	52088746AA	1			J				Clevis
		1			T				Clevis
		1			U				Clevis
9									ARM, Lower Control, Front
	52088636AE	1			U				With 3 Bushings, Right
		1			T				With 3 Bushings, Right
		1			J				With 3 Bushings, Right
	52088637AE	1			T				With 3 Bushings, Left
		1			J				With 3 Bushings, Left
		1			U				With 3 Bushings, Left
10	06102251AA	2							NUT, M14X2, Clevis to LCA, Mounting
11									BUSHING, Pivot
	52088649AC	2			T				LCA
		2			J				LCA
		2			U				LCA
12									SCREW AND WASHER, Hex Head

LIBERTY (KJ)

SERIES

P = Limited
H = Sport
M = Renegade

LINE

J = LHD (4WD)
U = RHD (4WD)
T = LHD (2WD)

BODY

74 = 4 Door (104.3 WB)

ENGINE

ED1 = Engine - 2.4L 4 Cyl
DOHC 16v SMPI
EKG = Engine - 3.7L V6
ENJ = Engine -2.5L 4 Cyl 16V
Turbo Diesel
ENR = Engine - 2.8L 4 Cyl
Turbo Diesel
ENO = 4Cyl Turbo Diesel
EKO = All 3.7L
EDO = All 2.4L

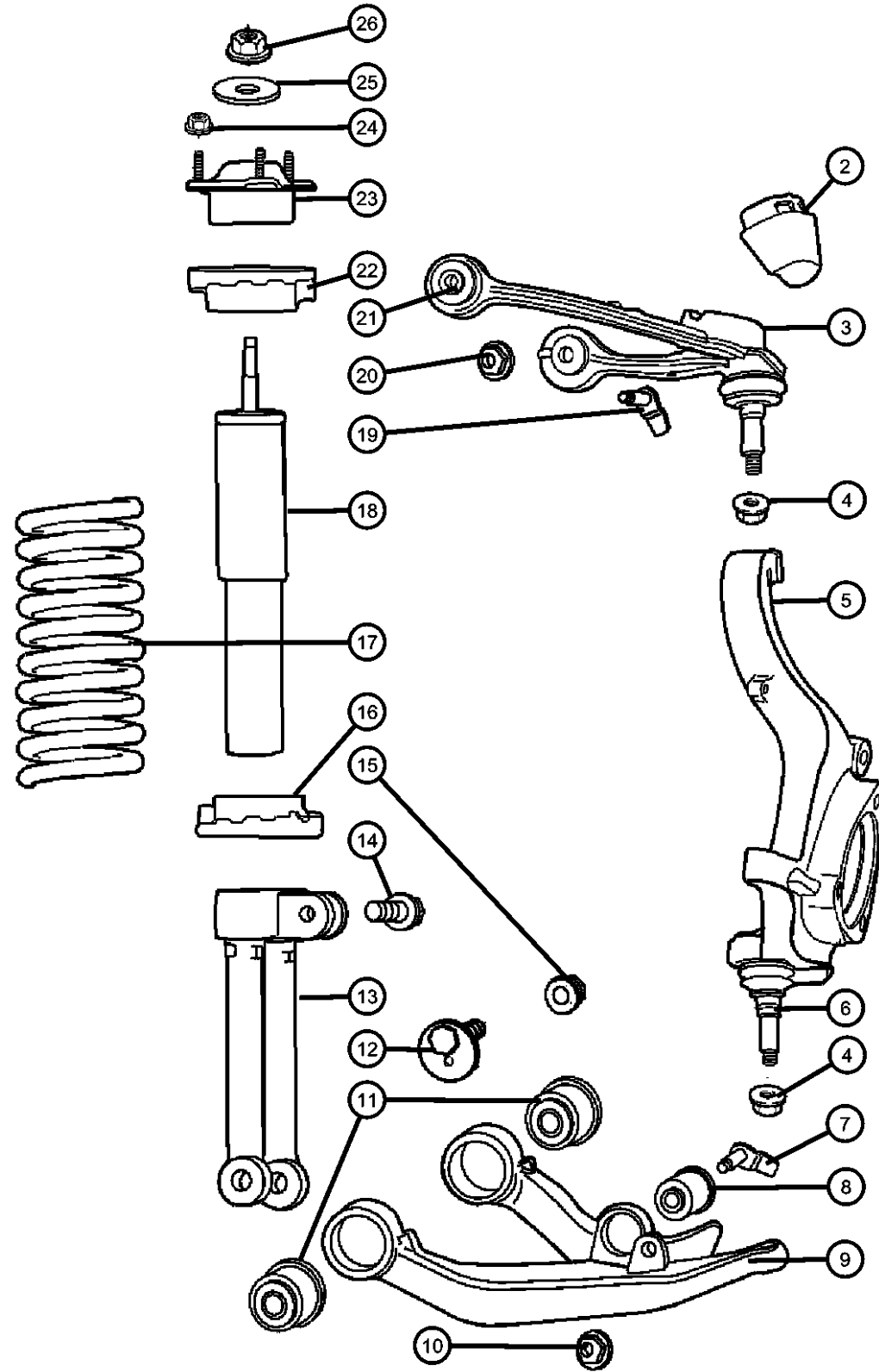
TRANSMISSION

DDD = Transmission - 5-Speed HD
Manual
DDK = Transmission - 5-Speed HD
Manual
DG4 = Transmission-Multi-Speed
Auto, 45RFE
DG6 = Transmission-4-Spd.
Automatic, 42RLE
DGQ = Transmission-5-Spd Automatic
5-45RFE
DBB = All Manual Transmissions
DG0 = All Automatic Transmissions

AR = use ase required - = Non illustrated part

2004 KJ

Suspension,Front and Strut
Figure 2-110

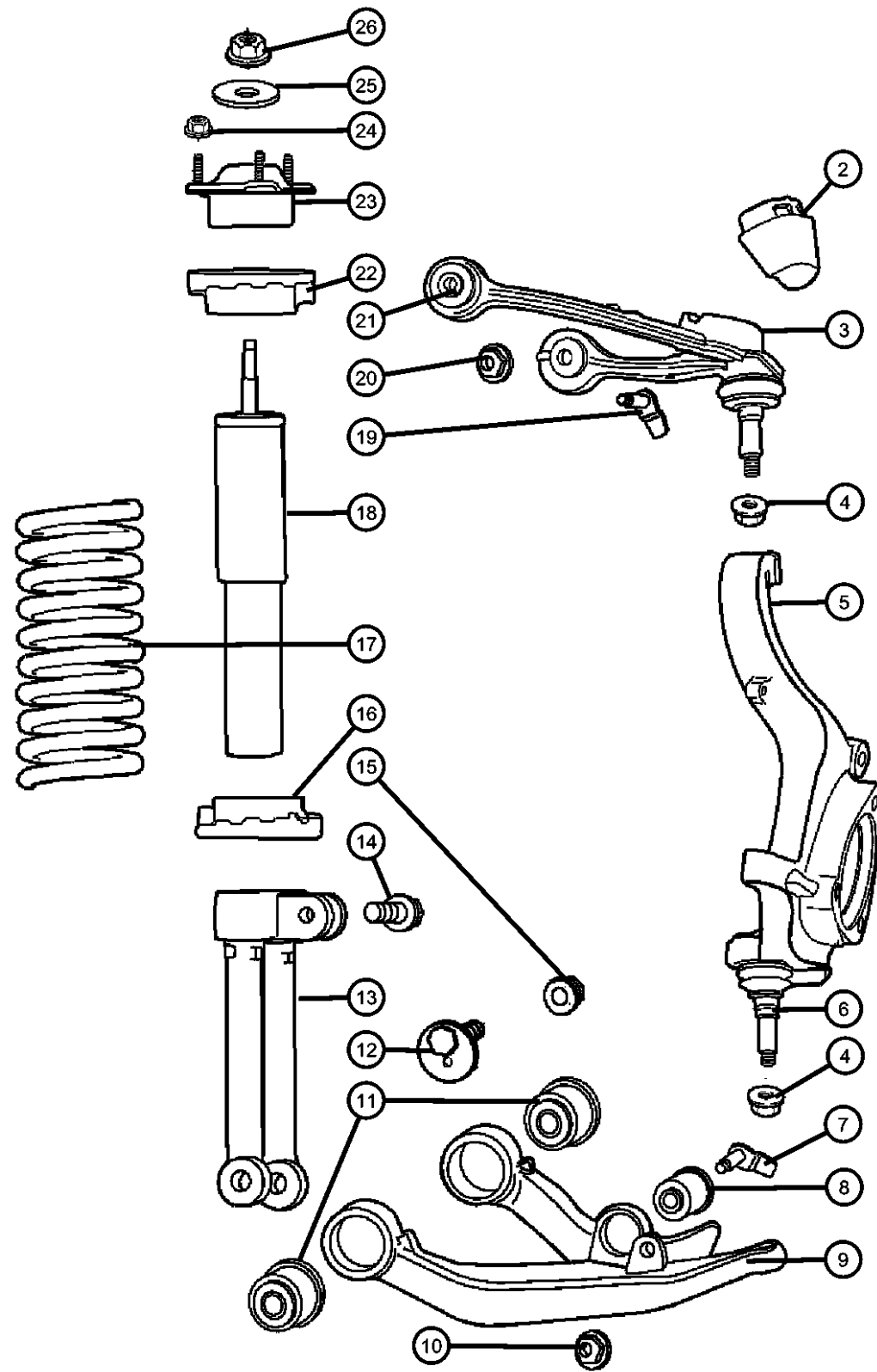


ITEM	PART NUMBER	QTY	LINE	SERIES	BODY	ENGINE	TRANS	TRIM	DESCRIPTION
	06507912AA	4	J						Cam Bolt, Mounting
		4	U						Cam Bolt, Mounting
		4	T						Cam Bolt, Mounting
-13									WASHER, Control Arm
	06507080AA	4	J						Cam Bolt, Mounting
		4	U						Cam Bolt, Mounting
		4	T						Cam Bolt, Mounting
14	52088748AC	1							CLEVIS, Front
15	06507325AA	1							SCREW, Hex Flange Head, Clevis Pinch
16									NUT, Hex Flange Lock
	06102252AA	4	J						LCA to Cradle, Mounting
		4	U						LCA to Cradle, Mounting
		4	T						LCA to Cradle, Mounting
17	52088686AA	2							ISOLATOR, Spring
18									SPRING, Front Coil
	52128873AA	1							[ZCC,ZRC]
	52128874AA	1							[ZCD,ZRD]
	52128875AA	1							[ZCE,ZRE]
	52128876AA	1							[ZCF,ZRF]
	52128877AA	1							[ZCG,ZRG]
	52128878AA	1							[ZCH,ZRH]
	52128879AA	1							[ZCJ,ZRJ]
	52128880AA	1							[ZCK,ZRK]
19	52088650AE	1							SHOCK ABSORBER, Suspension, Front
	0SGR5764								Rancho Shock
	0SG81577								Mopar V-Line Alternative Part
20	06507965AA	4							BOLT AND RETAINER, Hex Head, UCA, Mounting
21	06502697	4							NUT, Hex Flange Lock, M12x1.75, UCA, Mounting

LIBERTY (KJ)				
SERIES	LINE	BODY	ENGINE	TRANSMISSION
P = Limited	J = LHD (4WD)	74 = 4 Door (104.3 WB)	ED1 = Engine - 2.4L 4 Cyl DOHC 16v SMPI	DDD = Transmission - 5-Speed HD Manual
H = Sport	U = RHD (4WD)		EKG = Engine - 3.7L V6	DDK = Transmission - 5-Speed HD Manual
M = Renegade	T = LHD (2WD)		ENJ = Engine -2.5L 4 Cyl 16V Turbo Diesel	DG4 = Transmission-Multi-Speed Auto, 45RFE
			ENR = Engine - 2.8L 4 Cyl Turbo Diesel	DG6 = Transmission-4-Spd. Automatic, 42RLE
			ENO = 4Cyl Turbo Diesel	DGQ = Transmission-5-Spd Automatic 5-45RFE
			EKO = All 3.7L	DBB = All Manual Transmissions
			EDO = All 2.4L	DG0 = All Automatic Transmissions

AR = use ase required - = Non illustrated part

Suspension,Front and Strut
Figure 2-110



ITEM	PART NUMBER	QTY	LINE	SERIES	BODY	ENGINE	TRANS	TRIM	DESCRIPTION
22	52088634AB	4							BUSHING, Control ArmUpper
23	52088686AA	2							ISOLATOR, SpringUpper
24									MOUNT, Shock Upper
	52128532AA	1							Right
	52128533AA	1							Left
25	06502697	8							NUT, Hex Flange Lock, M12x1.75, Shock Mount to Body, Mounting
26	52089069AA	1							RETAINER, Shock Absorber, Shock, Mounting
27	06506443AA	1							NUT, Nylock Hex, M10x1.5, Shock, Mounting
-28	52128983AA	2							SHIELD, Heat, Lower Ball Joint, Right or Left

LIBERTY (KJ)

SERIES

P = Limited
H = Sport
M = Renegade

LINE

J = LHD (4WD)
U = RHD (4WD)
T = LHD (2WD)

BODY

74 = 4 Door (104.3 WB)

ENGINE

ED1 = Engine - 2.4L 4 Cyl
DOHC 16v SMPI
EKG = Engine - 3.7L V6
ENJ = Engine -2.5L 4 Cyl 16V
Turbo Diesel
ENR = Engine - 2.8L 4 Cyl
Turbo Diesel
ENO = 4Cyl Turbo Diesel
EKO = All 3.7L
EDO = All 2.4L

TRANSMISSION

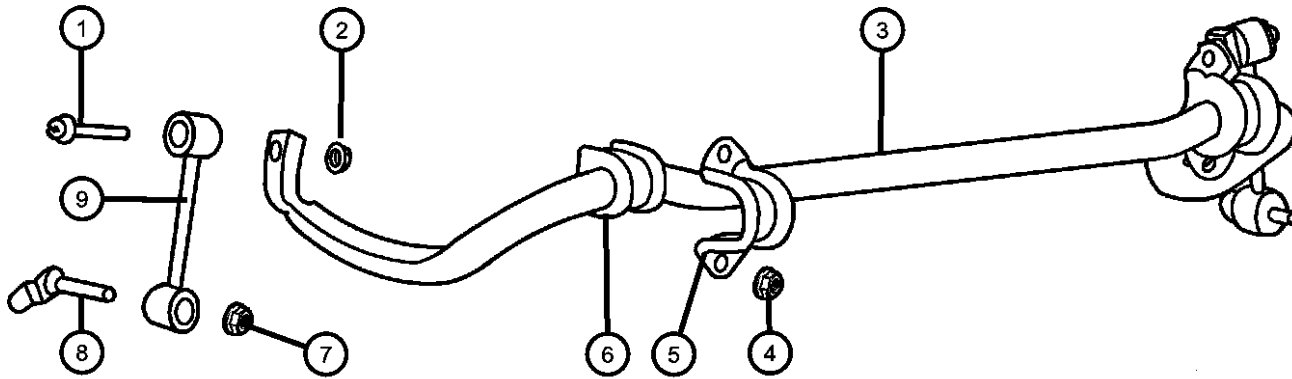
DDD = Transmission - 5-Speed HD
Manual
DDK = Transmission - 5-Speed HD
Manual
DG4 = Transmission-Multi-Speed
Auto, 45RFE
DG6 = Transmission-4-Spd.
Automatic, 42RLE
DGQ = Transmission-5-Spd Automatic
5-45RFE
DBB = All Manual Transmissions
DG0 = All Automatic Transmissions

AR = use ase required - = Non illustrated part

2004 KJ

**Bar,Front Sway
Figure 2-120**

ITEM	PART NUMBER	QTY	LINE	SERIES	BODY	ENGINE	TRANS	TRIM	DESCRIPTION
1	06503712	2							SCREW, Sway Bar Link to Sway Bar, Mounting
2	06502697	2							NUT, Hex Flange Lock, M12x1.75, Sway Bar Link to Sway Bar
3	52088660AA	1							BAR, Front Sway
4	06502697	4							NUT, Hex Flange Lock, M12x1.75, Sway Bar Clamp to Sill, Mounting
5	52088631AA	2							RETAINER, Stabilizer Bar Grommet
6	52088778AB	2							CUSHION, Sway Eliminator
7	06502697	2							NUT, Hex Flange Lock, M12x1.75, Sway Bar Link to LCA, Mounting
8	06506984AA	2							BOLT AND RETAINER, Hex Head, Sway Bar Link to LCA, Mounting
9	52088662AB	2							LINK, Sway Eliminator
-10	06504558	2							WASHER, Sway Bar Link to Lower Control Arm
-11	06504558	2							WASHER, Sway Bar Link to Sway Bar



LIBERTY (KJ)

SERIES LINE
P = Limited J = LHD (4WD)
H = Sport U = RHD (4WD)
M = Renegade T = LHD (2WD)

BODY
74 = 4 Door (104.3 WB)

ENGINE
ED1 = Engine - 2.4L 4 Cyl DOHC 16v SMPI
EKG = Engine - 3.7L V6
ENJ = Engine -2.5L 4 Cyl 16V Turbo Diesel
ENR = Engine - 2.8L 4 Cyl Turbo Diesel
ENO = 4Cyl Turbo Diesel
EKO = All 3.7L
EDO = All 2.4L

TRANSMISSION
DDD = Transmission - 5-Speed HD Manual
DDK = Transmission - 5-Speed HD Manual
DG4 = Transmission-Multi-Speed Auto, 45RFE
DG6 = Transmission-4-Spd. Automatic, 42RLE
DGQ = Transmission-5-Spd Automatic 5-45RFE
DBB = All Manual Transmissions
DG0 = All Automatic Transmissions

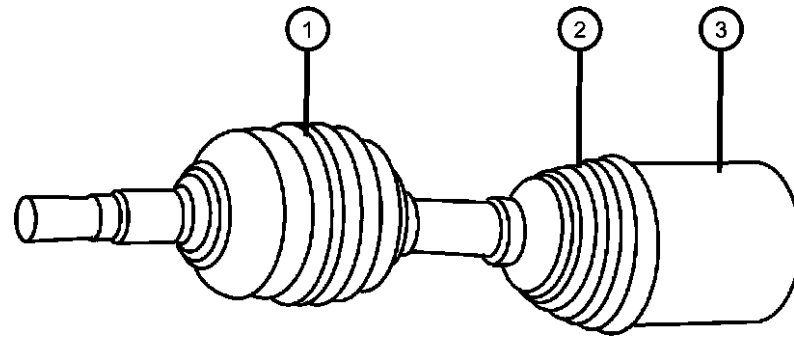
AR = use ase required - = Non illustrated part

2004 KJ

Axle Shafts,Front
Figure 2-210

ITEM	PART NUMBER	QTY	LINE	SERIES	BODY	ENGINE	TRANS	TRIM	DESCRIPTION
------	-------------	-----	------	--------	------	--------	-------	------	-------------

Note:Sales Codes;
 [ED0]=Engines - All 2.2, 2.5, 2.4L 4 Cylinder Gas
 [EK0]=Engines - All 3.7L 6 Cylinder Gas
 [EN0]=Engines - All 4/5 Cylinder Turbo Diesel



1									BOOT KIT, Half Shaft, Outer Right or Left
	05066025AB	1	U						Right or Left
		1	J						Right or Left
2									BOOT KIT, Half Shaft, Inner Right or Left
	05066024AA	1	U						Right or Left
		1	J						Right or Left
3									SHAFT, Axle Half
	05066020AA	1	U						[EK0], Right
		1	J						[EK0], Right
	05066021AA	1	U						[EK0], Left
		1	J						[EK0], Left
	05066022AA	1	J						[ED0,EN0], Right
		1	U						[ED0,EN0], Right
	05066023AA	1	J						[ED0,EN0], Left
		1	U						[ED0,EN0], Left

LIBERTY (KJ)

SERIES LINE
 P = Limited J = LHD (4WD)
 H = Sport U = RHD (4WD)
 M = Renegade T = LHD (2WD)

BODY
 74 = 4 Door (104.3 WB)

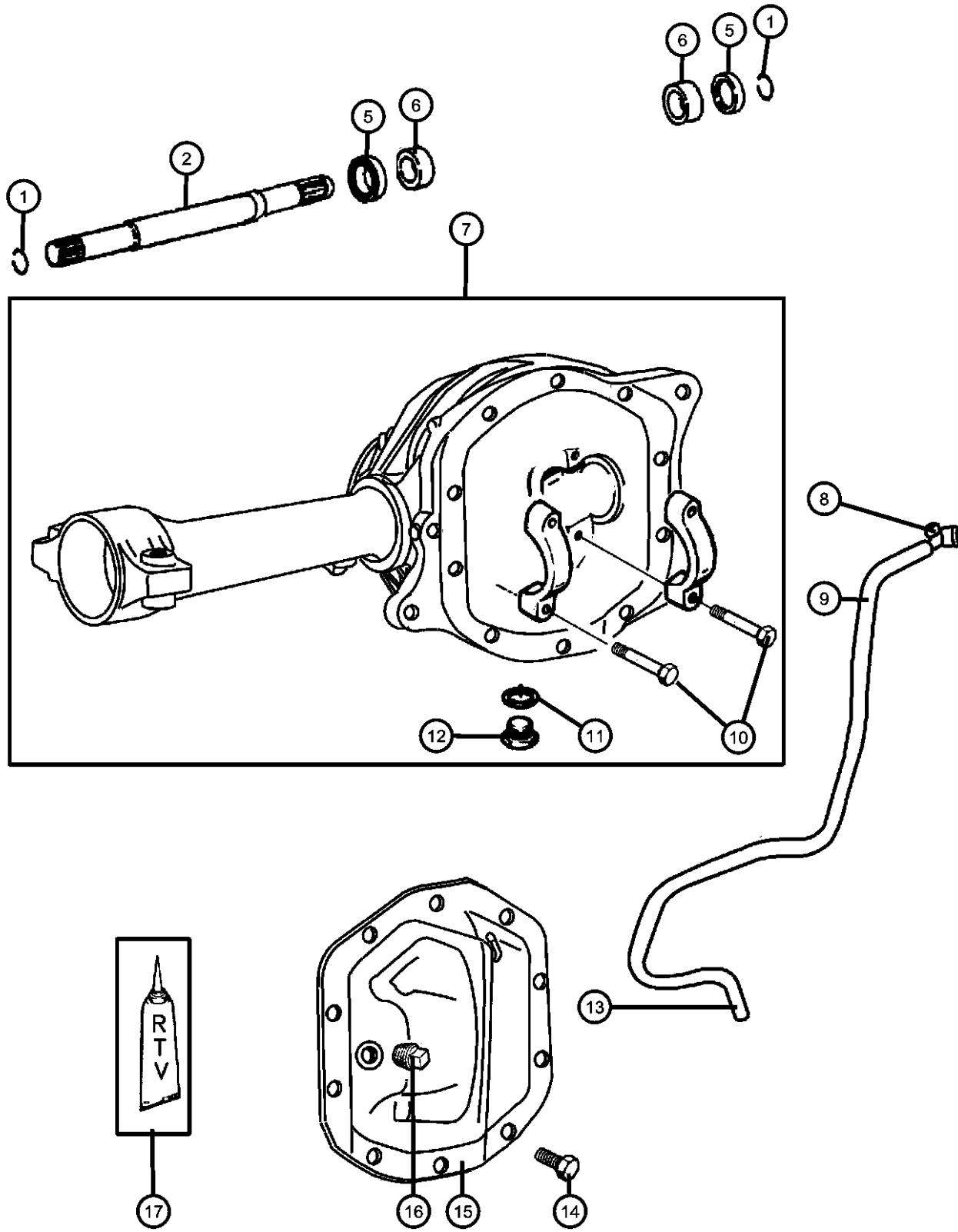
ENGINE
 ED1 = Engine - 2.4L 4 Cyl
 DOHC 16v SMPI
 EKG = Engine - 3.7L V6
 ENJ = Engine -2.5L 4 Cyl 16V
 Turbo Diesel
 ENR = Engine - 2.8L 4 Cyl
 Turbo Diesel
 EN0 = 4Cyl Turbo Diesel
 EK0 = All 3.7L
 ED0 = All 2.4L

TRANSMISSION
 DDD = Transmission - 5-Speed HD
 Manual
 DDK = Transmission - 5-Speed HD
 Manual
 DG4 = Transmission-Multi-Speed
 Auto, 45RFE
 DG6 = Transmission-4-Spd.
 Automatic, 42RLE
 DGQ = Transmission-5-Spd Automatic
 5-45RFE
 DBB = All Manual Transmissions
 DG0 = All Automatic Transmissions

AR = use ase required - = Non illustrated part

2004 KJ

Housing,Axle,Front
Figure 2-310



ITEM	PART NUMBER	QTY	LINE	SERIES	BODY	ENGINE	TRANS	TRIM	DESCRIPTION
1	05066064AA	1	U						SNAP RING, Axle Shaft Inboard
2	05066057AB	1	U						SHAFT, Axle
3	05069009AA	1	J						SNAP RING, Axle Shaft Outboard
4	05066067AA	1	J						O RING Axle Shaft
5	05066066AA	2	U						SEAL, Axle Drive Shaft
6	05066056AA	2	J						BEARING, Axle Shaft
7	05066049AB	1	U						HOUSING, Front Axle
8	52104552AB	4	U						VENT, Axle
9	HFV00516AB	1	J						HOSE, Fuel And Vapor, 25 Foot Roll 5/16"
10	06035985AA	4	U						BOLT, Differential

LIBERTY (KJ)
 SERIES LINE
 P = Limited J = LHD (4WD)
 H = Sport U = RHD (4WD)
 M = Renegade T = LHD (2WD)

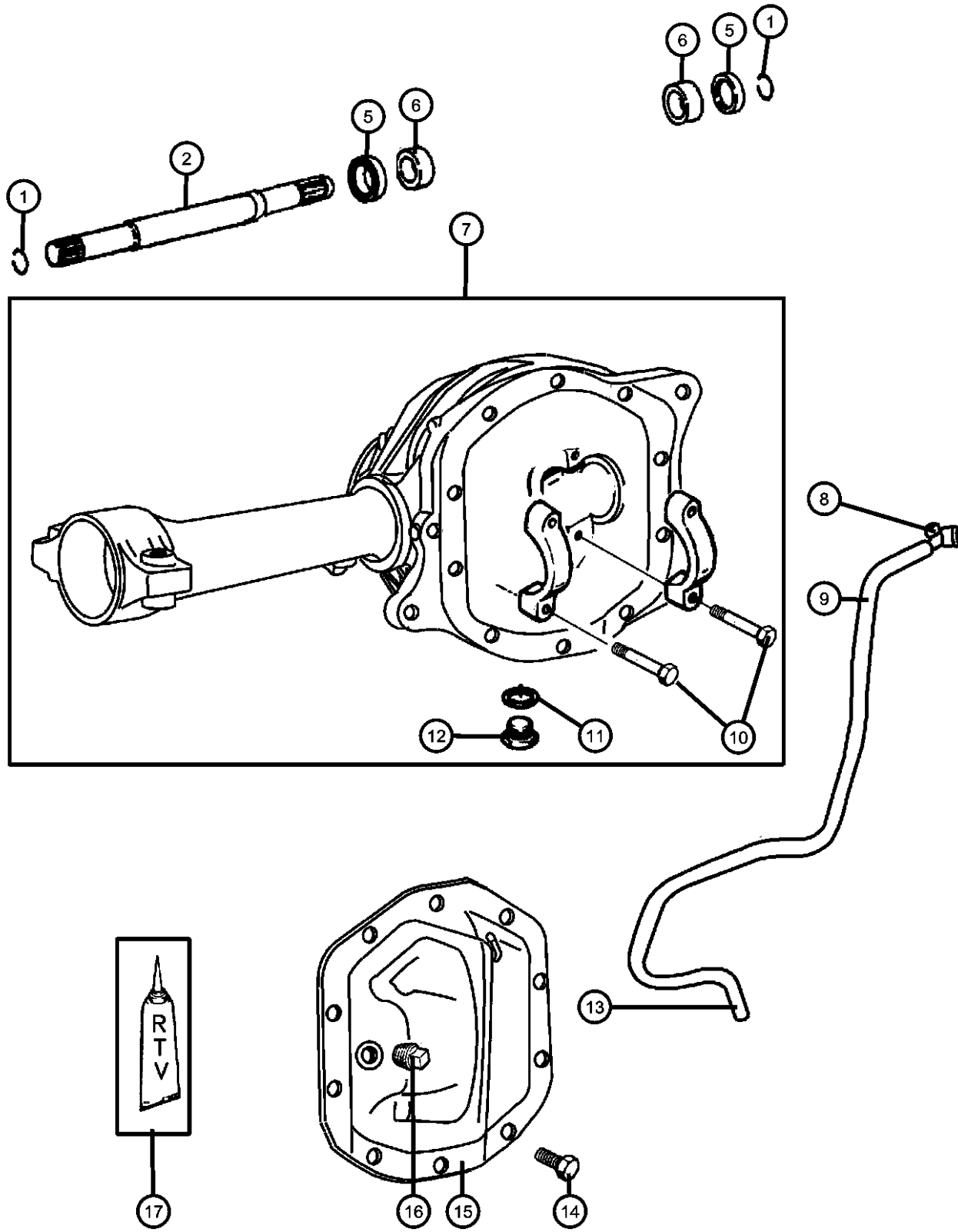
BODY
 74 = 4 Door (104.3 WB)

ENGINE
 ED1 = Engine - 2.4L 4 Cyl
 DOHC 16v SMPI
 EKG = Engine - 3.7L V6
 ENJ = Engine -2.5L 4 Cyl 16V
 Turbo Diesel
 ENR = Engine - 2.8L 4 Cyl
 Turbo Diesel
 EN0 = 4Cyl Turbo Diesel
 EK0 = All 3.7L
 ED0 = All 2.4L

TRANSMISSION
 DDD = Transmission - 5-Speed HD
 Manual
 DDK = Transmission - 5-Speed HD
 Manual
 DG4 = Transmission-Multi-Speed
 Auto, 45RFE
 DG6 = Transmission-4-Spd.
 Automatic, 42RLE
 DGQ = Transmission-5-Spd Automatic
 5-45RFE
 DBB = All Manual Transmissions
 DG0 = All Automatic Transmissions

AR = use ase required - = Non illustrated part

Housing,Axle,Front
Figure 2-310



ITEM	PART NUMBER	QTY	LINE	SERIES	BODY	ENGINE	TRANS	TRIM	DESCRIPTION
11	05066055AA	1	U						O RING
12	05066054AA	1	J						PLUG, Drain
13	06503573	1	J						CLAMP, Hose
14	05069008AA	1	U						BOLT KIT
15	05066538AA	1	J						COVER, Differential
16	J4004751	1	J						PLUG, Differential Cover
17	05010884AA	1	J						SEALANT, RTV

LIBERTY (KJ)

SERIES

P = Limited
H = Sport
M = Renegade

LINE

J = LHD (4WD)
U = RHD (4WD)
T = LHD (2WD)

BODY

74 = 4 Door (104.3 WB)

ENGINE

ED1 = Engine - 2.4L 4 Cyl
DOHC 16v SMPI
EKG = Engine - 3.7L V6
ENJ = Engine -2.5L 4 Cyl 16V
Turbo Diesel
ENR = Engine - 2.8L 4 Cyl
Turbo Diesel
ENO = 4Cyl Turbo Diesel
EKO = All 3.7L
EDO = All 2.4L

TRANSMISSION

DDD = Transmission - 5-Speed HD
Manual
DDK = Transmission - 5-Speed HD
Manual
DG4 = Transmission-Multi-Speed
Auto, 45RFE
DG6 = Transmission-4-Spd.
Automatic, 42RLE
DGQ = Transmission-5-Spd Automatic
5-45RFE
DBB = All Manual Transmissions
DG0 = All Automatic Transmissions

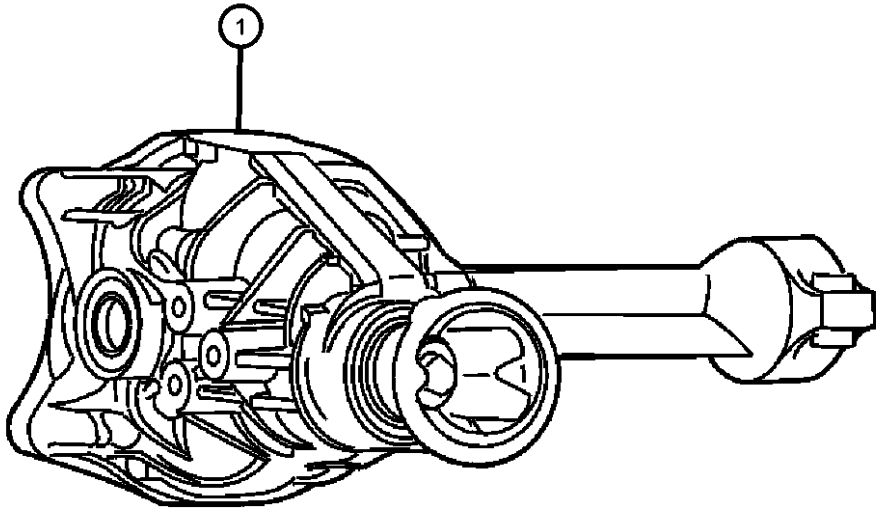
AR = use ase required - = Non illustrated part

2004 KJ

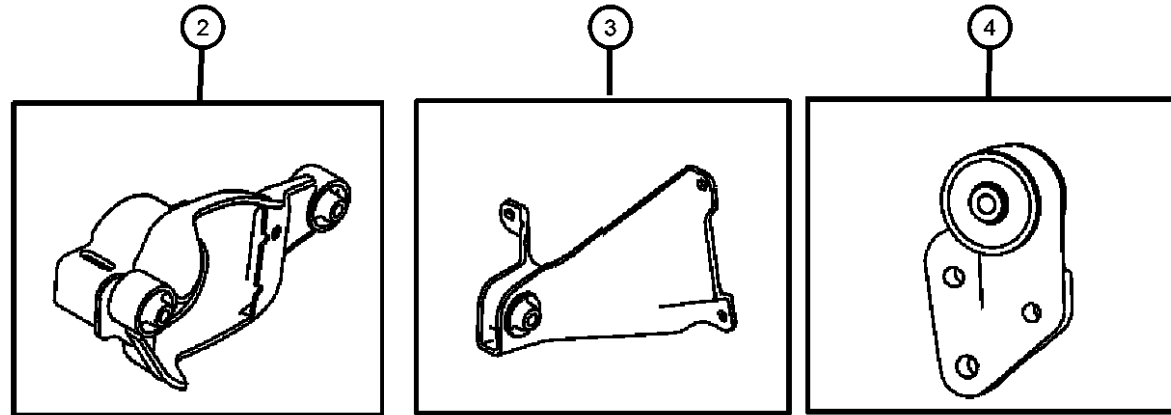
Axle Assembly,Front
Figure 2-410

ITEM	PART NUMBER	QTY	LINE	SERIES	BODY	ENGINE	TRANS	TRIM	DESCRIPTION
------	-------------	-----	------	--------	------	--------	-------	------	-------------

Note:Sales Codes;
 [DME] = Axle Ratio - 3.73
 [DMF] = Axle Ratio - 4.10
 [ED0]=Engines - All 2.2,2.5,2.4L 4 Cylinder Gas
 [EK0]=Engines - All 3.7L 6 Cylinder Gas
 [EN0]=Engines - All 4/5 Cylinder Turbo Diesel



1	05066068AC	1	J						AXLE, Service Front
		1	U						[DME]
	05066084AC	1	J						[DME]
		1	U						[DMF,DBB,EN0]
	05103064AA	1	U						[DMF,DBB,EN0]
	04874468								[DMF,DG0,EN0]
	68003054AA								Mopar SAE 80W-90 Gear Lube Quart Bottle
	04874469								Mopar SAE 80W-90 Gear Lube 16 Gallon Keg
	68003055AA								Mopar SAE 75W-140 Synthetic Gear and Axle Lube Quart
									Mopar SAE 75W-140 Synthetic Gear and Axle Lube 16 Gallon Keg
	05010320AA								Mopar SAE 75W-90 Synthetic Gear Lube Quart
	68003056								Mopar SAE 75W-90 Synthetic Gear Lube 16 Gallon Keg
	P5007326								Performance Mobil 1, 75W - 90 Synthetic Gear Lube
2	52059464AB	1	J						BRACKET, Mounting
		1	U						[EK0], Right
	52059472AB	1	J						[EK0], Right
		1	U						[ED0,EN0], Right
									[ED0,EN0], Right
3	52059465AC	1	J						BRACKET, Mounting
		1	U						[EK0], Left
	52059473AC	1	J						[EK0], Left
									[ED0,EN0], Left

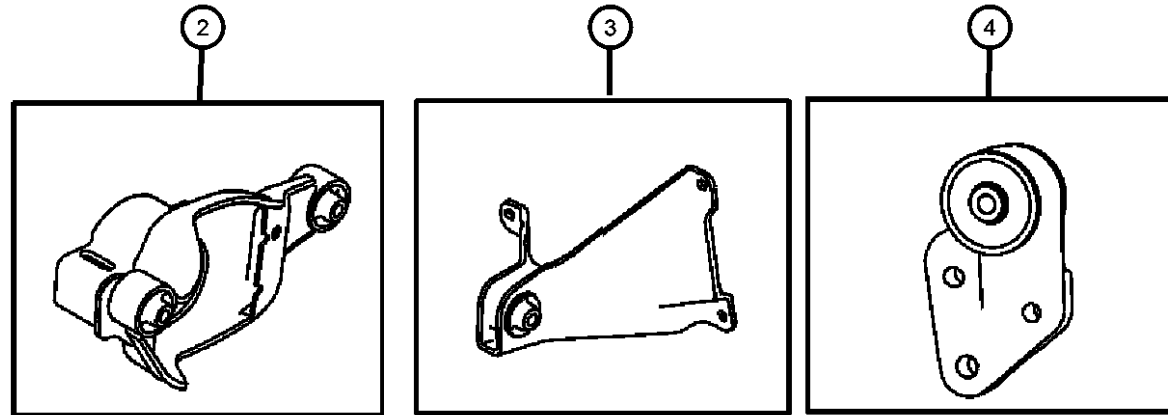
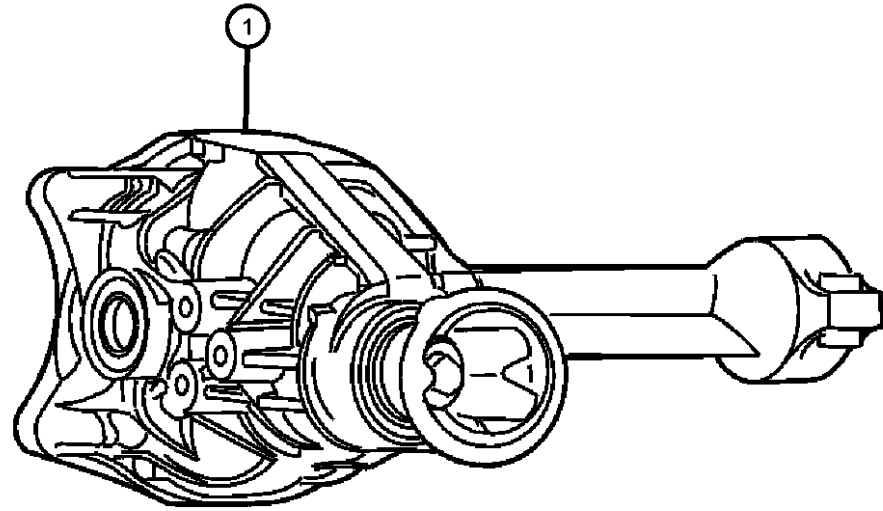


LIBERTY (KJ)	SERIES	LINE	BODY	ENGINE	TRANSMISSION
P = Limited	J = LHD (4WD)		74 = 4 Door (104.3 WB)	ED1 = Engine - 2.4L 4 Cyl DOHC 16v SMPI	DDD = Transmission - 5-Speed HD Manual
H = Sport	U = RHD (4WD)			EKG = Engine - 3.7L V6	DDK = Transmission - 5-Speed HD Manual
M = Renegade	T = LHD (2WD)			ENJ = Engine -2.5L 4 Cyl 16v Turbo Diesel	DG4 = Transmission-Multi-Speed Auto, 45RFE
				ENR = Engine - 2.8L 4 Cyl Turbo Diesel	DG6 = Transmission-4-Spd. Automatic, 42RLE
				ENO = 4Cyl Turbo Diesel	DGQ = Transmission-5-Spd Automatic 5-45RFE
				EKO = All 3.7L	DBB = All Manual Transmissions
				ED0 = All 2.4L	DG0 = All Automatic Transmissions

AR = use ase required - = Non illustrated part

Axle Assembly,Front
Figure 2-410

ITEM	PART NUMBER	QTY	LINE	SERIES	BODY	ENGINE	TRANS	TRIM	DESCRIPTION
------	-------------	-----	------	--------	------	--------	-------	------	-------------



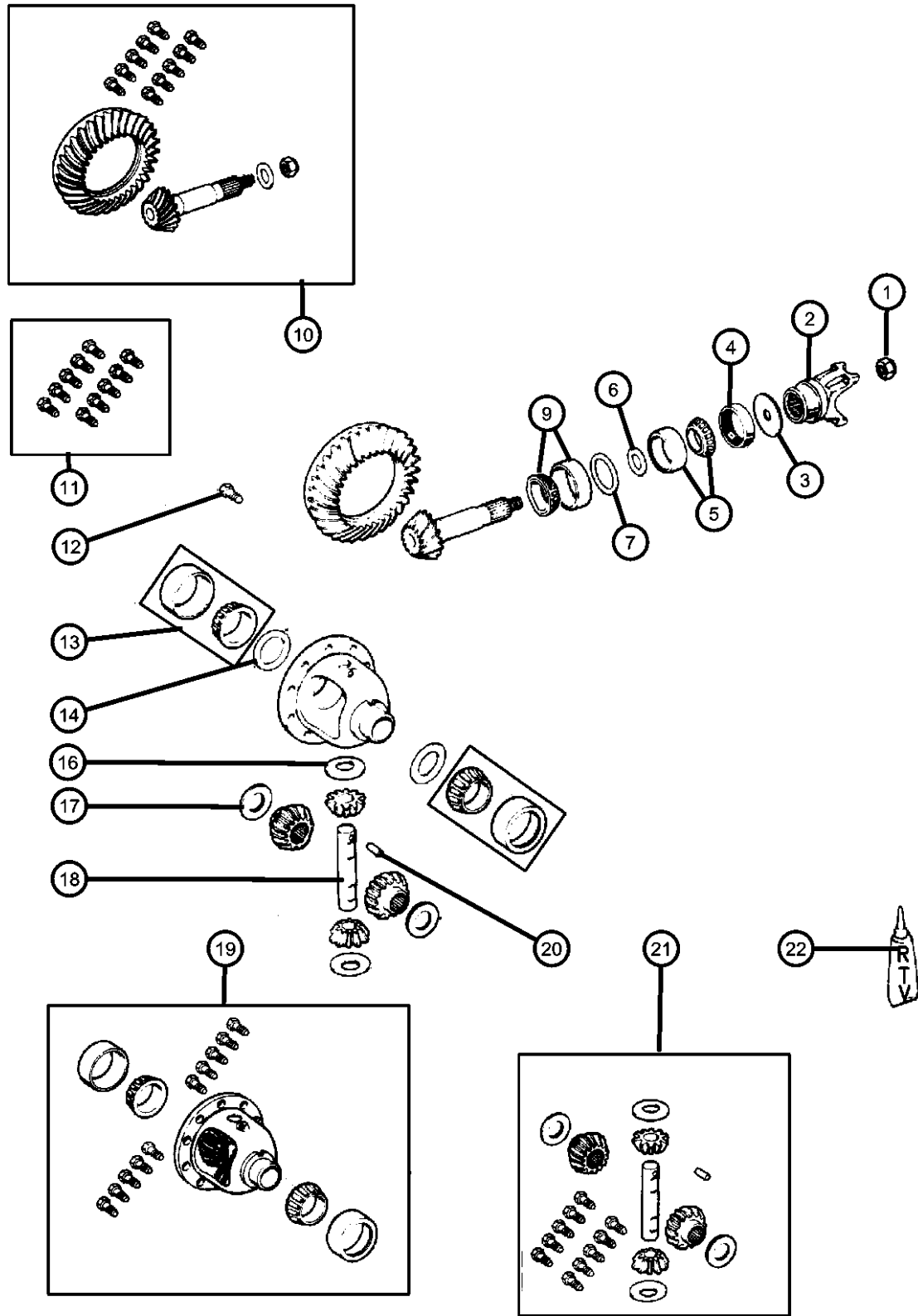
		1	U						[ED0,EN0], Left BRACKET, Mounting
4	52059467AC	1	J						[EK0], Left Rear
		1	U						[EK0], Left Rear
	52059475AC	1	J						[ED0,EN0], Left Rear
		1	U						[ED0,EN0], Left Rear
-5	06506067AA	4	J						BOLT Axle Assembly to Cradle, Mounting
		4	U						Axle Assembly to Cradle, Mounting
-6	06502697	4	J						NUT, Hex Flange Lock, M12x1.75 Axle Assembly to Cradle & Right Bracket, Mounting
		4	U						Axle Assembly to Cradle & Right Bracket, Mounting
-7	06101985	3	J						SCREW AND WASHER, M10x1.50x45.00 Left Front & Left Rear Bracket to Axle, Mounting
		3	U						Left Front & Left Rear Bracket to Axle, Mounting
-8	06505488AA	3	J						SCREW AND WASHER, Hex Left Rear Bracket to Axle, Mounting
		3	U						Left Rear Bracket to Axle, Mounting
-9	06502696	3	J						NUT, Hex Flange Lock, M14x1.50 Left Front Bracket to Axle, Mounting
		3	U						Left Front Bracket to Axle, Mounting
-10	06506067AA	2	J						BOLT Right Front Bracket to Axle, Mounting
		2	U						Right Front Bracket to Axle, Mounting

LIBERTY (KJ)

SERIES	LINE	BODY	ENGINE	TRANSMISSION
P = Limited	J = LHD (4WD)	74 = 4 Door (104.3 WB)	ED1 = Engine - 2.4L 4 Cyl DOHC 16v SMPI	DDD = Transmission - 5-Speed HD Manual
H = Sport	U = RHD (4WD)		EKG = Engine - 3.7L V6	DDK = Transmission - 5-Speed HD Manual
M = Renegade	T = LHD (2WD)		ENJ = Engine -2.5L 4 Cyl 16v Turbo Diesel	DG4 = Transmission-Multi-Speed Auto, 45RFE
			ENR = Engine - 2.8L 4 Cyl Turbo Diesel	DG6 = Transmission-4-Spd. Automatic, 42RLE
			ENO = 4Cyl Turbo Diesel	DGQ = Transmission-5-Spd Automatic 5-45RFE
			EK0 = All 3.7L	DBB = All Manual Transmissions
			ED0 = All 2.4L	DG0 = All Automatic Transmissions

AR = use ase required - = Non illustrated part

**Differential,Front Axle
Figure 2-610**

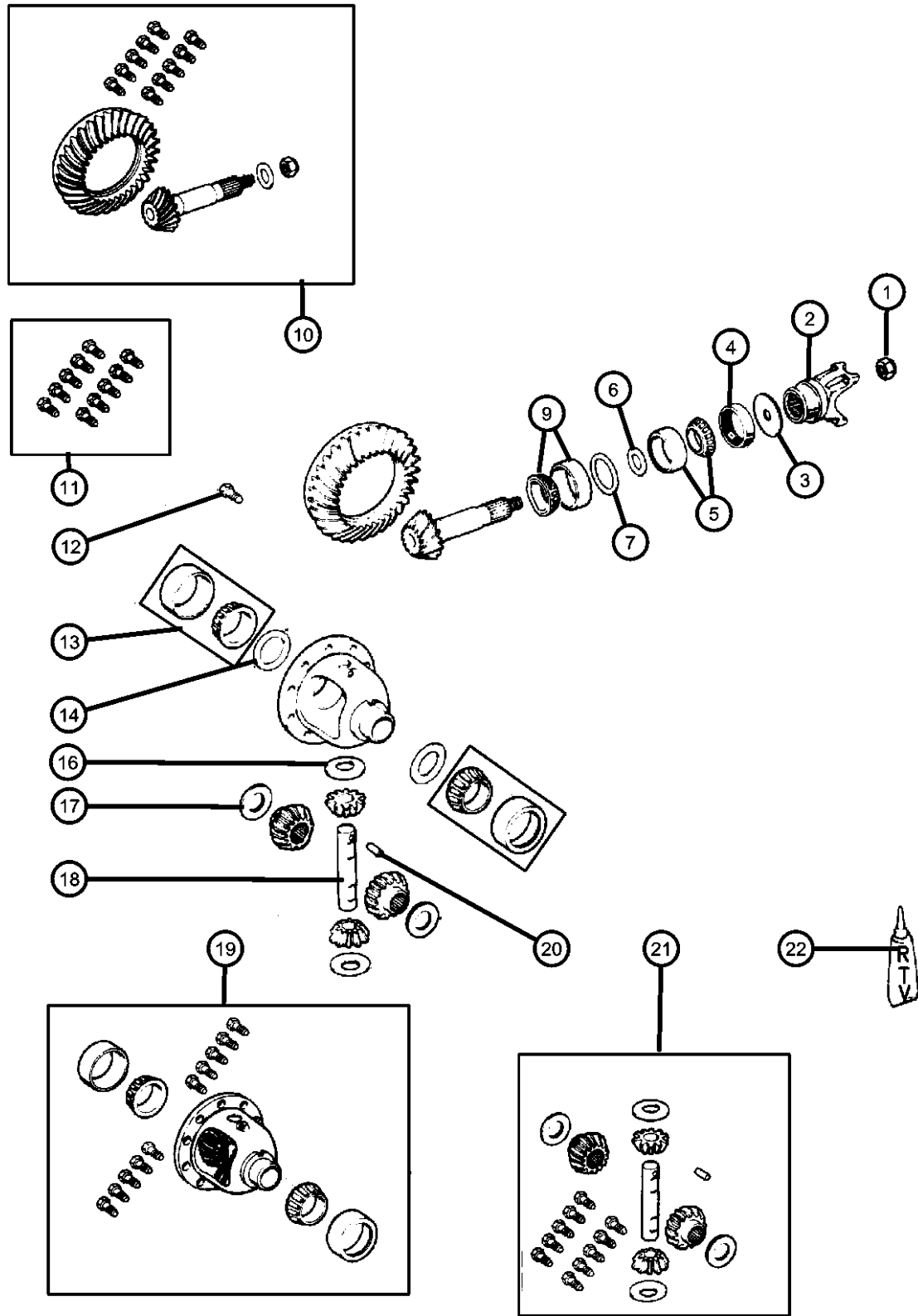


ITEM	PART NUMBER	QTY	LINE	SERIES	BODY	ENGINE	TRANS	TRIM	DESCRIPTION
Note:Sales Codes; [DME] = Axle Ratio - 3.73 [DMF] = Axle Ratio - 4.10									
1									NUT, Pinion Yoke
	04720895	1	J						
		1	U						
2									YOKE, Axle
	05066050AB	1	J						[DME]
		1	U						[DME]
	05103049AA	1	U						[DMF]
3									SLINGER, Drive Pinion
	05066052AA	1	J						
		1	U						
4									SEAL, Drive Pinion
	05066053AA	1	J						
		1	U						
5									BEARING, Drive Pinion
	J8126499	1	J						Bearing and Cup, Front
		1	U						Bearing and Cup, Front
6									SPACER
	05066047AA	1	J						Crush
		1	U						Crush
7									SHIM, Drive Pinion Bearing
	05066572AA	1	J						[.045"]
		1	U						[.045"]
	05066573AA	1	J						[.046"]
		1	U						[.046"]
	05066574AA	1	J						[.047"]
		1	U						[.047"]
	05066575AA	1	J						[.048"]
		1	U						[.048"]

LIBERTY (KJ)				
SERIES	LINE	BODY	ENGINE	TRANSMISSION
P = Limited	J = LHD (4WD)	74 = 4 Door (104.3 WB)	ED1 = Engine - 2.4L 4 Cyl DOHC 16v SMPI	DDD = Transmission - 5-Speed HD Manual
H = Sport	U = RHD (4WD)		EKG = Engine - 3.7L V6	DDK = Transmission - 5-Speed HD Manual
M = Renegade	T = LHD (2WD)		ENJ = Engine -2.5L 4 Cyl 16V Turbo Diesel	DG4 = Transmission-Multi-Speed Auto, 45RFE
			ENR = Engine - 2.8L 4 Cyl Turbo Diesel	DG6 = Transmission-4-Spd. Automatic, 42RLE
			ENO = 4Cyl Turbo Diesel	DGQ = Transmission-5-Spd Automatic 5-45RFE
			EK0 = All 3.7L	DBB = All Manual Transmissions
			ED0 = All 2.4L	DG0 = All Automatic Transmissions

AR = use ase required - = Non illustrated part

Differential,Front Axle
Figure 2-610



ITEM	PART NUMBER	QTY	LINE	SERIES	BODY	ENGINE	TRANS	TRIM	DESCRIPTION
	05066576AA	1	J						[.049"]
		1	U						[.049"]
	05066577AA	1	J						[.050"]
		1	U						[.050"]
	05066578AA	1	J						[.051"]
		1	U						[.051"]
	05066579AA	1	J						[.052"]
		1	U						[.052"]
	05066580AA	1	J						[.053"]
		1	U						[.053"]
	05066581AA	1	J						[.055"]
		1	U						[.055"]
	05066582AA	1	J						[.056"]
		1	U						[.056"]
	05066583AA	1	J						[.057"]
		1	U						[.057"]
	05066584AA	1	J						[.034"]
		1	U						[.034"]
	05066585AA	1	J						[.035"]
		1	U						[.035"]
	05066586AA	1	J						[.036"]
		1	U						[.036"]
	05066587AA	1	J						[.037"]
		1	U						[.037"]
	05066588AA	1	J						[.038"]
		1	U						[.038"]
	05066589AA	1	J						[.039"]
		1	U						[.039"]
	05066590AA	1	J						[.040"]
		1	U						[.040"]

LIBERTY (KJ)

SERIES LINE
P = Limited J = LHD (4WD)
H = Sport U = RHD (4WD)
M = Renegade T = LHD (2WD)

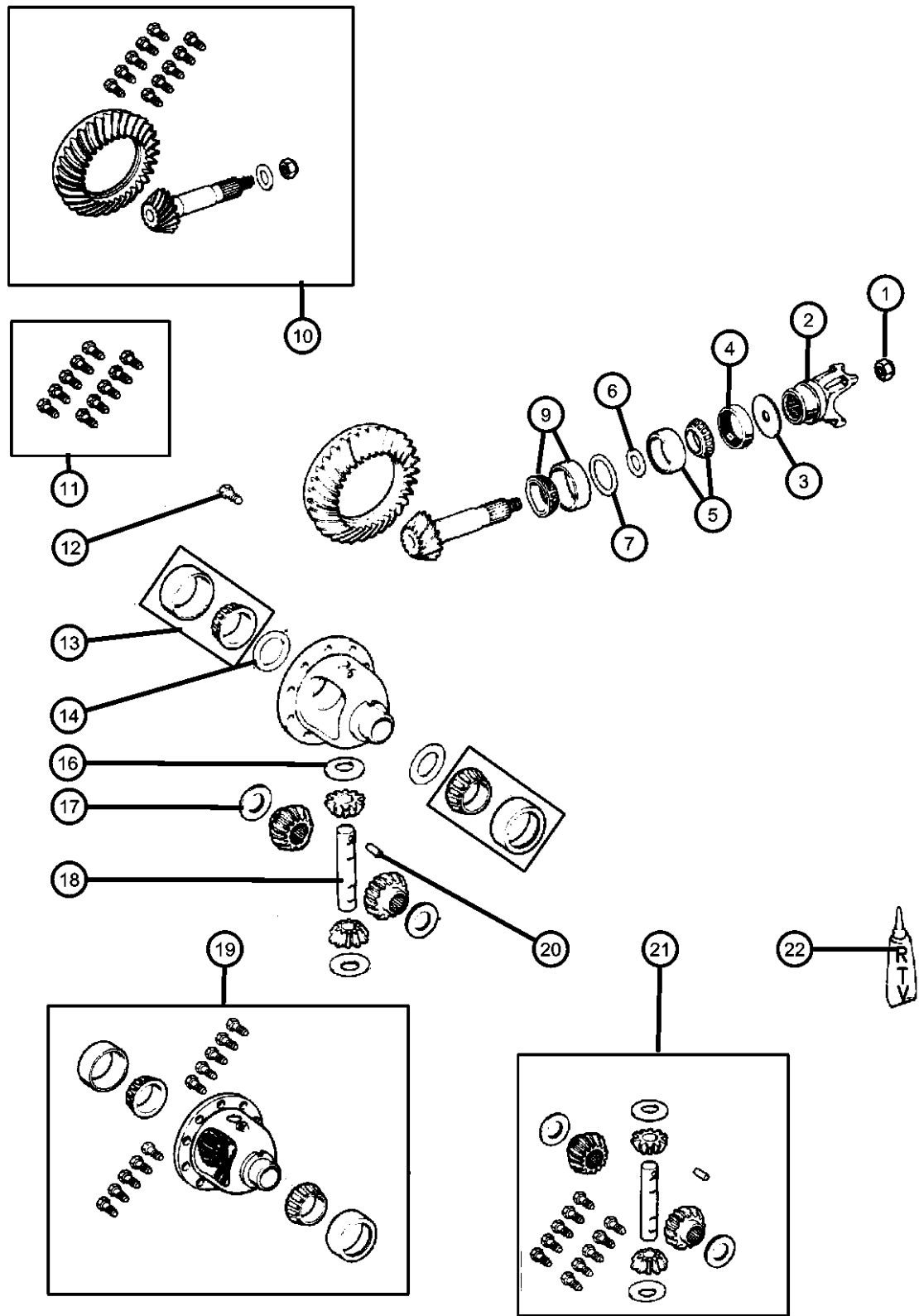
BODY
74 = 4 Door (104.3 WB)

ENGINE
ED1 = Engine - 2.4L 4 Cyl
DOHC 16v SMPI
EKG = Engine - 3.7L V6
ENJ = Engine -2.5L 4 Cyl 16V
Turbo Diesel
ENR = Engine - 2.8L 4 Cyl
Turbo Diesel
ENO = 4Cyl Turbo Diesel
EKO = All 3.7L
EDO = All 2.4L

TRANSMISSION
DDD = Transmission - 5-Speed HD
Manual
DDK = Transmission - 5-Speed HD
Manual
DG4 = Transmission-Multi-Speed
Auto, 45RFE
DG6 = Transmission-4-Spd.
Automatic, 42RLE
DGQ = Transmission-5-Spd Automatic
5-45RFE
DBB = All Manual Transmissions
DG0 = All Automatic Transmissions

AR = use ase required - = Non illustrated part

Differential,Front Axle
Figure 2-610



ITEM	PART NUMBER	QTY	LINE	SERIES	BODY	ENGINE	TRANS	TRIM	DESCRIPTION
	05066591AA	1	J						[.041"]
		1	U						[.041"]
	05066592AA	1	J						[.042"]
		1	U						[.042"]
	05066593AA	1	J						[.043"]
		1	U						[.043"]
	05066594AA	1	J						[.044"]
		1	U						[.044"]
	05066595AA	1	J						[.054"]
		1	U						[.054"]
	05066596AA	1	J						[.058"]
		1	U						[.058"]
-8									SHIM KIT, Pinion Shaft Consists of 25 Shims
	05066533AA	1	J						Consists of 25 Shims
		1	U						
9									BEARING, Drive Pinion
	04746979	1	J						Bearing and Cup, Rear
		1	U						Bearing and Cup, Rear
10									GEAR KIT, Ring And Pinion
	05066051AA	1	J						[DME]
		1	U						[DME]
	05066085AA	1	J						[DMF]
		1	U						[DMF]
11									BOLT KIT
	05069008AA	1	J						Contains 10-5252503 Screws
		1	U						Contains 10-5252503 Screws
12									SCREW, Drive Gear
	05252503	10	J						
		10	U						
13									BEARING, Differential

LIBERTY (KJ)

SERIES LINE
P = Limited J = LHD (4WD)
H = Sport U = RHD (4WD)
M = Renegade T = LHD (2WD)

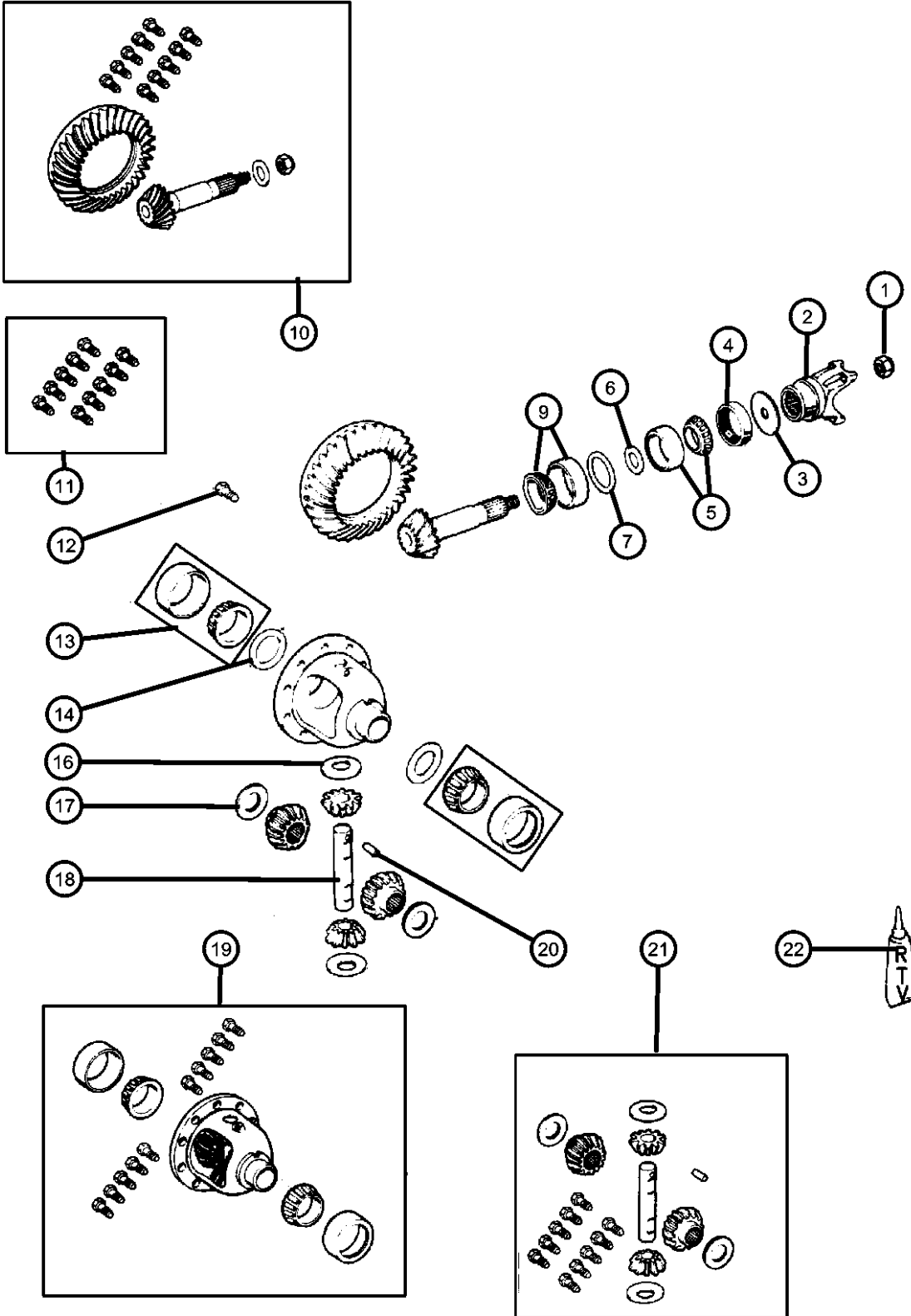
BODY
74 = 4 Door (104.3 WB)

ENGINE
ED1 = Engine - 2.4L 4 Cyl
DOHC 16v SMPI
EKG = Engine - 3.7L V6
ENJ = Engine -2.5L 4 Cyl 16V
Turbo Diesel
ENR = Engine - 2.8L 4 Cyl
Turbo Diesel
ENO = 4Cyl Turbo Diesel
EKO = All 3.7L
EDO = All 2.4L

TRANSMISSION
DDD = Transmission - 5-Speed HD
Manual
DDK = Transmission - 5-Speed HD
Manual
DG4 = Transmission-Multi-Speed
Auto, 45RFE
DG6 = Transmission-4-Spd.
Automatic, 42RLE
DGQ = Transmission-5-Spd Automatic
5-45RFE
DBB = All Manual Transmissions
DG0 = All Automatic Transmissions

AR = use ase required - = Non illustrated part

**Differential,Front Axle
Figure 2-610**



ITEM	PART NUMBER	QTY	LINE	SERIES	BODY	ENGINE	TRANS	TRIM	DESCRIPTION
	J8126500	1	J						
		1	U						
14									SHIM, Differential Bearing
	05017218AA	1	J						[.109"]
		1	U						[.109"]
	05017219AA	1	J						[.110"]
		1	U						[.110"]
	05017220AA	1	J						[.111"]
		1	U						[.111"]
	05017221AA	1	J						[.112"]
		1	U						[.112"]
	05017222AA	1	J						[.113"]
		1	U						[.113"]
	05017223AA	1	J						[.114"]
		1	U						[.114"]
	05017224AA	1	J						[.115"]
		1	U						[.115"]
	05017225AA	1	J						[.116"]
		1	U						[.116"]
	05017226AA	1	J						[.117"]
		1	U						[.117"]
	05017227AA	1	J						[.118"]
		1	U						[.118"]
	05017228AA	1	J						[.119"]
		1	U						[.119"]
	05017229AA	1	J						[.120"]
		1	U						[.120"]
	05017230AA	1	J						[.121"]
		1	U						[.121"]
	05017231AA	1	J						[.122"]

LIBERTY (KJ)
 SERIES LINE
 P = Limited J = LHD (4WD)
 H = Sport U = RHD (4WD)
 M = Renegade T = LHD (2WD)

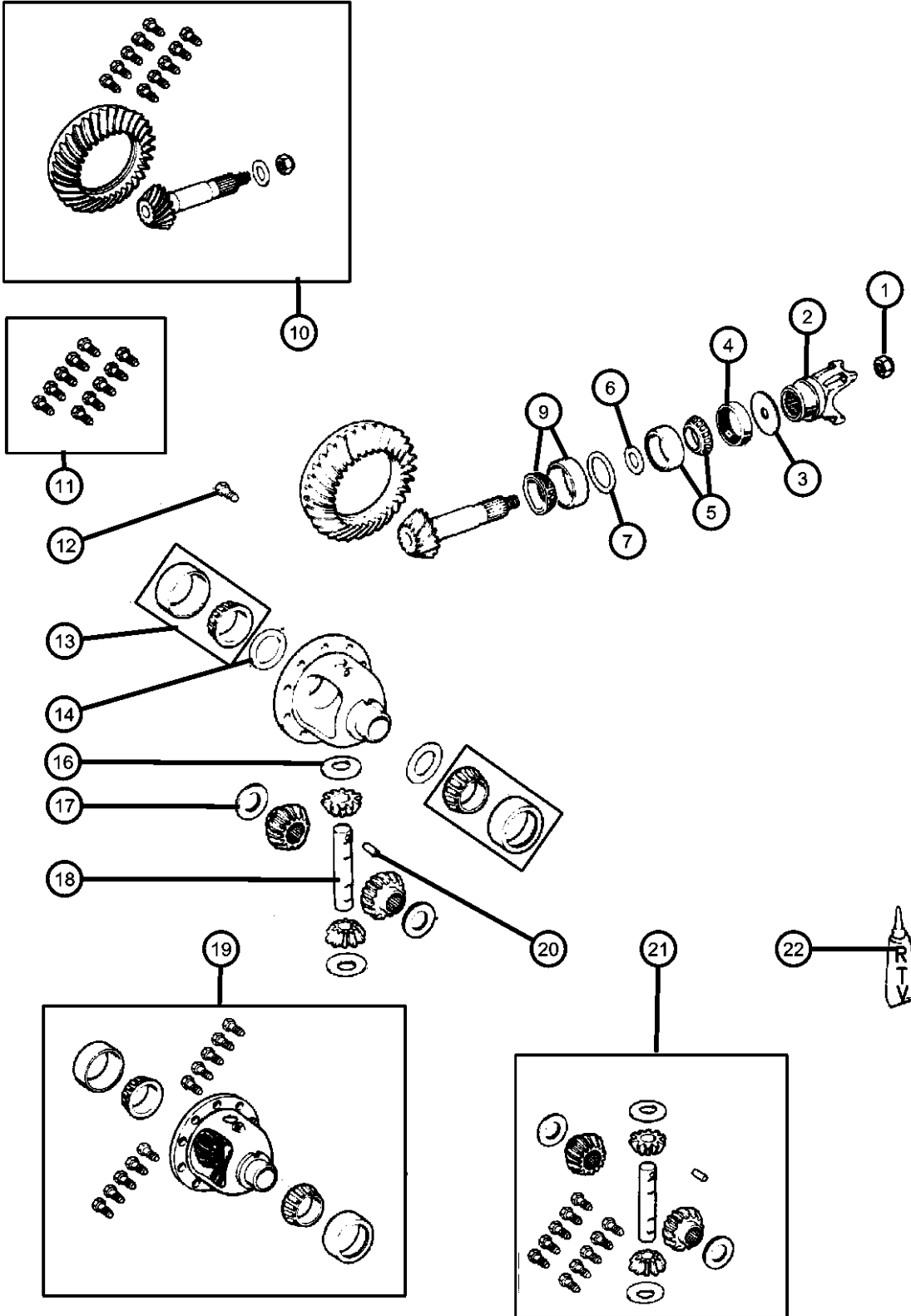
BODY
 74 = 4 Door (104.3 WB)

ENGINE
 ED1 = Engine - 2.4L 4 Cyl
 DOHC 16v SMPI
 EKG = Engine - 3.7L V6
 ENJ = Engine -2.5L 4 Cyl 16V
 Turbo Diesel
 ENR = Engine - 2.8L 4 Cyl
 Turbo Diesel
 EN0 = 4Cyl Turbo Diesel
 EKO = All 3.7L
 ED0 = All 2.4L

TRANSMISSION
 DDD = Transmission - 5-Speed HD
 Manual
 DDK = Transmission - 5-Speed HD
 Manual
 DG4 = Transmission-Multi-Speed
 Auto, 45RFE
 DG6 = Transmission-4-Spd.
 Automatic, 42RLE
 DGQ = Transmission-5-Spd Automatic
 5-45RFE
 DBB = All Manual Transmissions
 DG0 = All Automatic Transmissions

AR = use ase required - = Non illustrated part

Differential,Front Axle
Figure 2-610



ITEM	PART NUMBER	QTY	LINE	SERIES	BODY	ENGINE	TRANS	TRIM	DESCRIPTION
		1	U						[.122"]
	05017232AA	1	J						[.123"]
		1	U						[.123"]
	05017233AA	1	J						[.124"]
		1	U						[.124"]
	05017234AA	1	J						[.125"]
		1	U						[.125"]
	05017235AA	1	J						[.126"]
		1	U						[.126"]
	05017236AA	1	J						[.127"]
		1	U						[.127"]
	05017237AA	1	J						[.128"]
		1	U						[.128"]
	05017238AA	1	J						[.129"]
		1	U						[.129"]
	05017239AA	1	J						[.130"]
		1	U						[.130"]
	05017240AA	1	J						[.131"]
		1	U						[.131"]
	05017241AA	1	J						[.132"]
		1	U						[.132"]
	05017242AA	1	J						[.133"]
		1	U						[.133"]
	05017243AA	1	J						[.134"]
		1	U						[.134"]
	05017244AA	1	J						[.135"]
		1	U						[.135"]
	05017245AA	1	J						[.136"]
		1	U						[.136"]
	05017246AA	1	J						[.137"]

LIBERTY (KJ)
 SERIES LINE
 P = Limited J = LHD (4WD)
 H = Sport U = RHD (4WD)
 M = Renegade T = LHD (2WD)

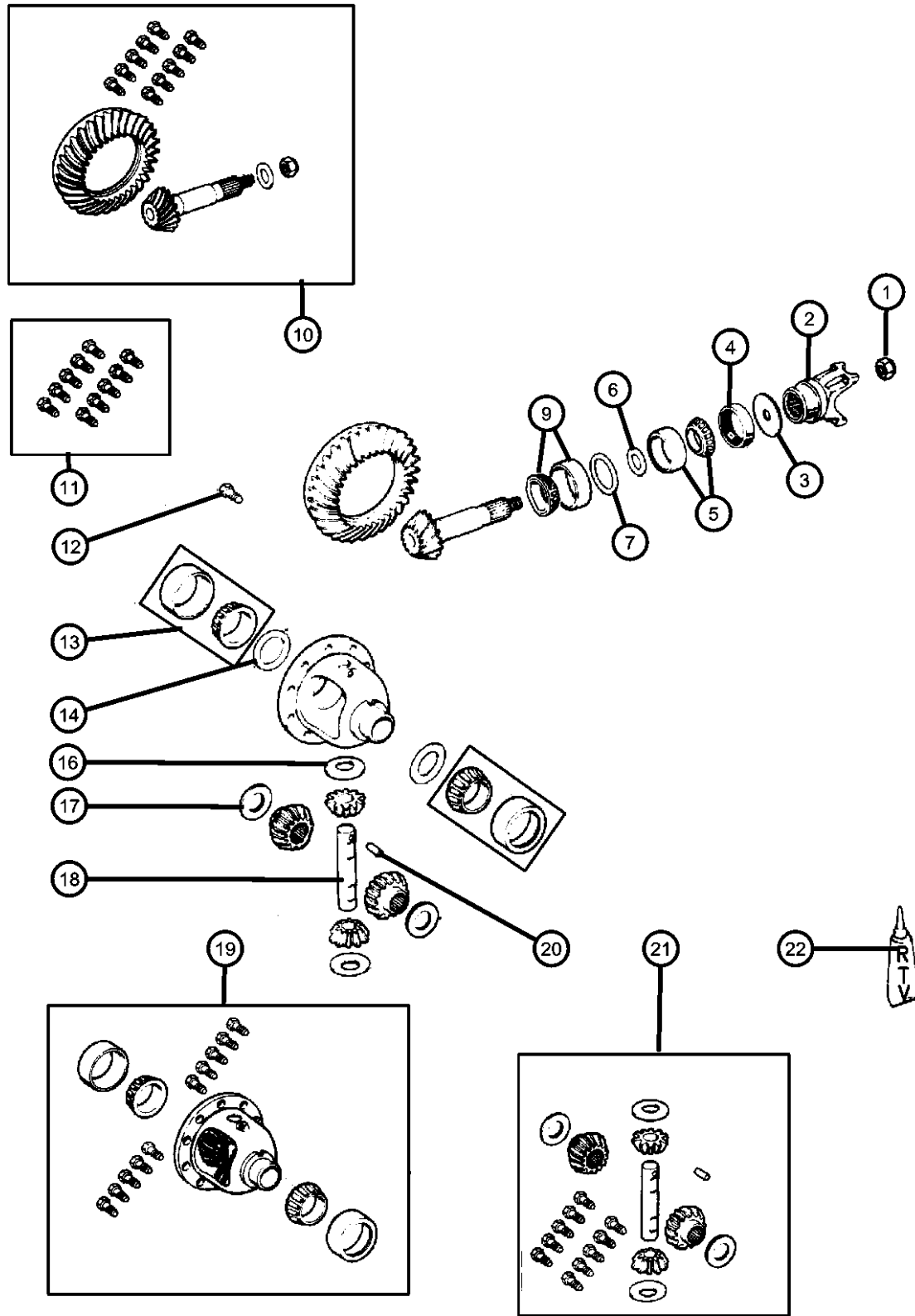
BODY
 74 = 4 Door (104.3 WB)

ENGINE
 ED1 = Engine - 2.4L 4 Cyl
 DOHC 16v SMPI
 EKG = Engine - 3.7L V6
 ENJ = Engine -2.5L 4 Cyl 16V
 Turbo Diesel
 ENR = Engine - 2.8L 4 Cyl
 Turbo Diesel
 EN0 = 4Cyl Turbo Diesel
 EKO = All 3.7L
 ED0 = All 2.4L

TRANSMISSION
 DDD = Transmission - 5-Speed HD
 Manual
 DDK = Transmission - 5-Speed HD
 Manual
 DG4 = Transmission-Multi-Speed
 Auto, 45RFE
 DG6 = Transmission-4-Spd.
 Automatic, 42RLE
 DGQ = Transmission-5-Spd Automatic
 5-45RFE
 DBB = All Manual Transmissions
 DG0 = All Automatic Transmissions

AR = use ase required - = Non illustrated part

Differential,Front Axle
Figure 2-610



ITEM	PART NUMBER	QTY	LINE	SERIES	BODY	ENGINE	TRANS	TRIM	DESCRIPTION
		1	U						[.137"]
	05017247AA	1	J						[.138"]
		1	U						[.138"]
	05017248AA	1	J						[.139"]
		1	U						[.139"]
	05017249AA	1	J						[.140"]
		1	U						[.140"]
	05017250AA	1	J						[.141"]
		1	U						[.141"]
	05017251AA	1	J						[.142"]
		1	U						[.142"]
	05017252AA	1	J						[.143"]
		1	U						[.143"]
	05017253AA	1	J						[.144"]
		1	U						[.144"]
	05017254AA	1	J						[.145"]
		1	U						[.145"]
	05017255AA	1	J						[.146"]
		1	U						[.146"]
	05017256AA	1	J						[.147"]
		1	U						[.147"]
	05017257AA	1	J						[.148"]
		1	U						[.148"]
-15									SHIM KIT, Differential
	05066539AA	1	J						Contains 40 Shims
		1	U						Contains 40 Shims
16									WASHER, Pinion Gear
	J8120831	2	J						Thrust
		2	U						Thrust
17									WASHER, Side Gear

LIBERTY (KJ)

SERIES LINE
 P = Limited J = LHD (4WD)
 H = Sport U = RHD (4WD)
 M = Renegade T = LHD (2WD)

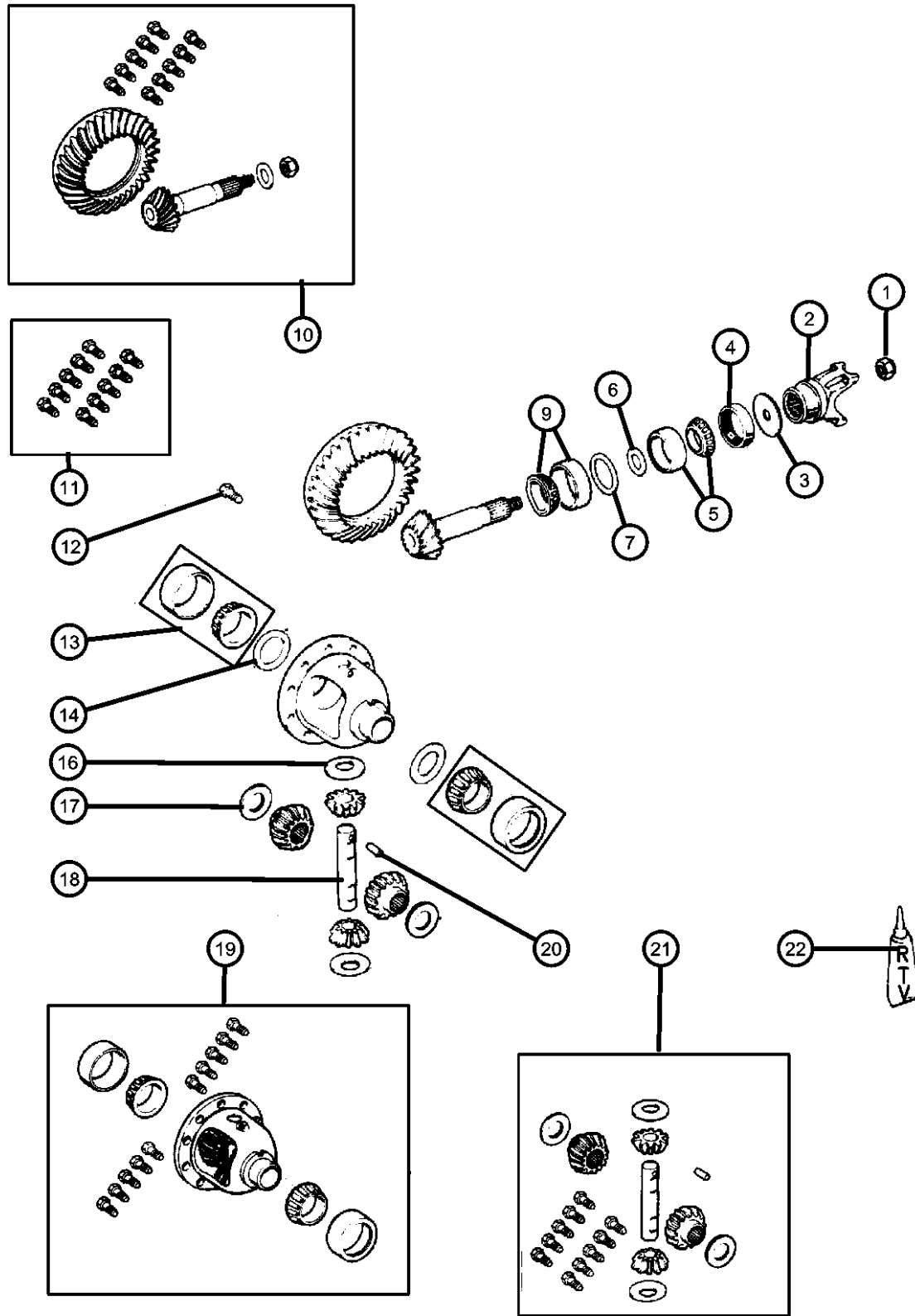
BODY
 74 = 4 Door (104.3 WB)

ENGINE
 ED1 = Engine - 2.4L 4 Cyl
 DOHC 16v SMPI
 EKG = Engine - 3.7L V6
 ENJ = Engine -2.5L 4 Cyl 16V
 Turbo Diesel
 ENR = Engine - 2.8L 4 Cyl
 Turbo Diesel
 EN0 = 4Cyl Turbo Diesel
 EKO = All 3.7L
 ED0 = All 2.4L

TRANSMISSION
 DDD = Transmission - 5-Speed HD
 Manual
 DDK = Transmission - 5-Speed HD
 Manual
 DG4 = Transmission-Multi-Speed
 Auto, 45RFE
 DG6 = Transmission-4-Spd.
 Automatic, 42RLE
 DGQ = Transmission-5-Spd Automatic
 5-45RFE
 DBB = All Manual Transmissions
 DG0 = All Automatic Transmissions

AR = use ase required - = Non illustrated part

Differential,Front Axle
Figure 2-610



ITEM	PART NUMBER	QTY	LINE	SERIES	BODY	ENGINE	TRANS	TRIM	DESCRIPTION
	J8120832	2	J						Thrust
		2	U						Thrust
18									SHAFT, Differential
	05003840AA	1	J						
		1	U						
19									CASE, Differential
	05066529AA	1	J						With Internal Parts
		1	U						With Internal Parts
20									PIN, Differential Shaft
	01791563	1	J						
		1	U						
21									GEAR KIT, Center Differential
	05066530AA	1	J						
		1	U						
22									SEALANT, RTV
	05010884AA	1	J						
		1	U						

LIBERTY (KJ)

SERIES

P = Limited
H = Sport
M = Renegade

LINE

J = LHD (4WD)
U = RHD (4WD)
T = LHD (2WD)

BODY

74 = 4 Door (104.3 WB)

ENGINE

ED1 = Engine - 2.4L 4 Cyl
DOHC 16v SMPI
EKG = Engine - 3.7L V6
ENJ = Engine -2.5L 4 Cyl 16V
Turbo Diesel
ENR = Engine - 2.8L 4 Cyl
Turbo Diesel
ENO = 4Cyl Turbo Diesel
EKO = All 3.7L
EDO = All 2.4L

TRANSMISSION

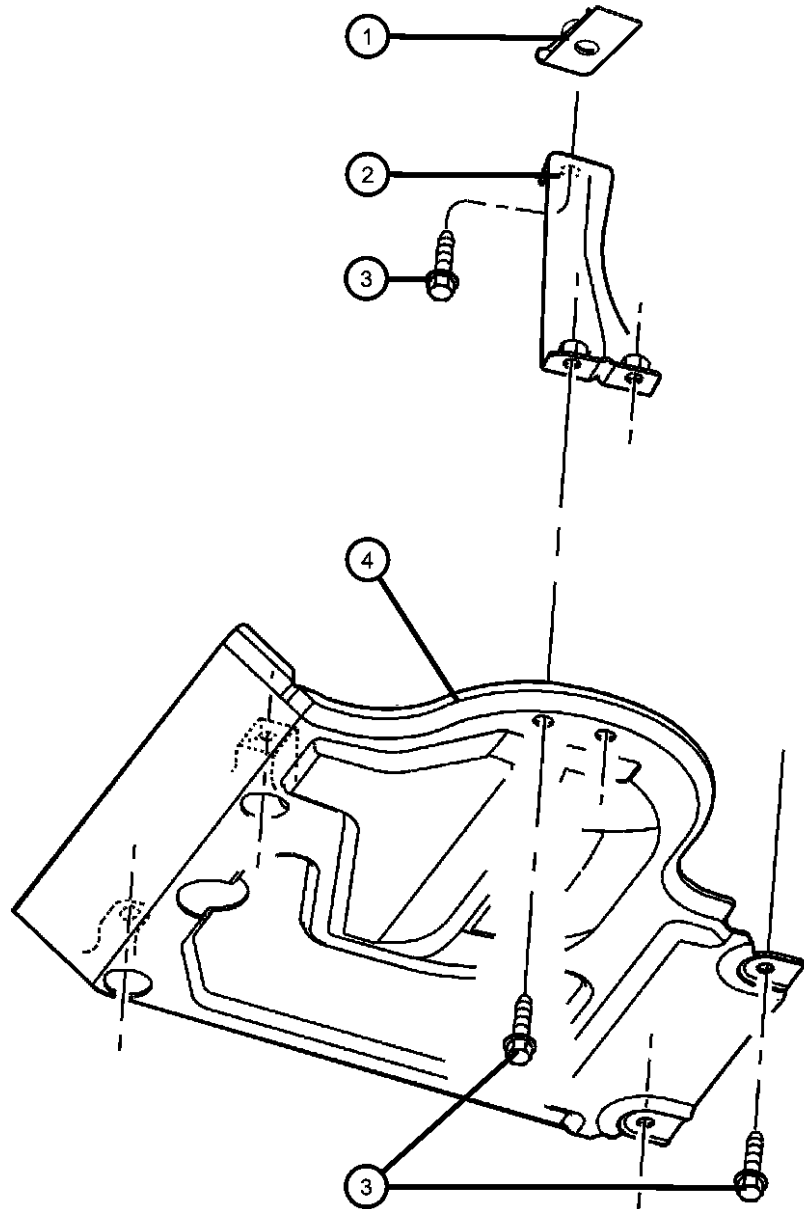
DDD = Transmission - 5-Speed HD
Manual
DDK = Transmission - 5-Speed HD
Manual
DG4 = Transmission-Multi-Speed
Auto, 45RFE
DG6 = Transmission-4-Spd.
Automatic, 42RLE
DGQ = Transmission-5-Spd Automatic
5-45RFE
DBB = All Manual Transmissions
DG0 = All Automatic Transmissions

AR = use ase required - = Non illustrated part

2004 KJ

**Skid Plate,Front Axle
Figure 2-810**

ITEM	PART NUMBER	QTY	LINE	SERIES	BODY	ENGINE	TRANS	TRIM	DESCRIPTION
1		1							NUT, U Type, M10 x 1.50, (NOT SERVICED)
2									BRACKET, Skid Plate
	52128544AA	1	J, U						Left
	52128545AA	1	J, U						Right
3	06101060	4	J, U						SCREW AND WASHER, Hex Head, M10x1.5x30
4	52128539AC	1	J, U						SKID PLATE, Front



LIBERTY (KJ)

SERIES	LINE
P = Limited	J = LHD (4WD)
H = Sport	U = RHD (4WD)
M = Renegade	T = LHD (2WD)

BODY
74 = 4 Door (104.3 WB)

ENGINE
ED1 = Engine - 2.4L 4 Cyl DOHC 16v SMPI
EKG = Engine - 3.7L V6
ENJ = Engine -2.5L 4 Cyl 16V Turbo Diesel
ENR = Engine - 2.8L 4 Cyl Turbo Diesel
ENO = 4Cyl Turbo Diesel
EK0 = All 3.7L
ED0 = All 2.4L

TRANSMISSION
DDD = Transmission - 5-Speed HD Manual
DDK = Transmission - 5-Speed HD Manual
DG4 = Transmission-Multi-Speed Auto, 45RFE
DG6 = Transmission-4-Spd. Automatic, 42RLE
DGQ = Transmission-5-Spd Automatic 5-45RFE
DBB = All Manual Transmissions
DG0 = All Automatic Transmissions

AR = use ase required - = Non illustrated part

2004 KJ

Group - 3

Rear Axle

Group - 3 Rear Axle

Illustration Title

Group-Fig. No.

Rear Axle

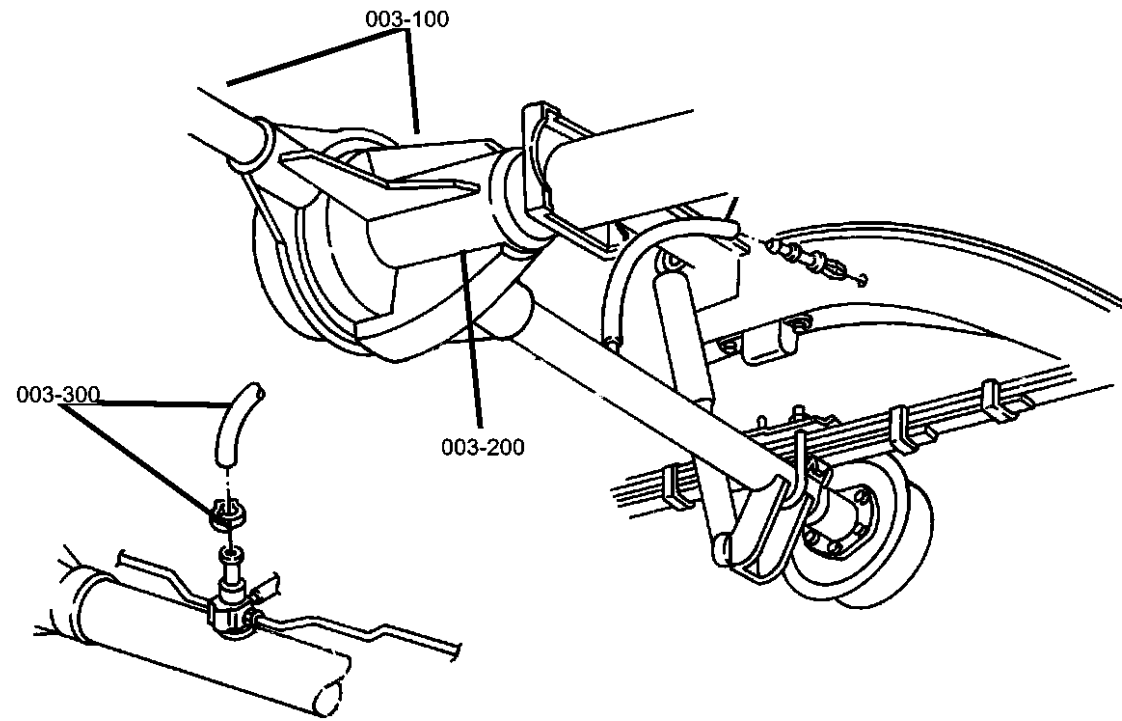
Axle Assembly,Rear,Corporate 8.25 [DRA] Fig. 3 - 110

Differential and Housing

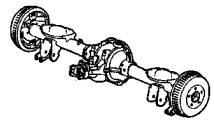
Axle,Rear,with Differential and Housing,Corporate 8.25 [DRA]..... Fig. 3 - 210

Rear Axle Vent

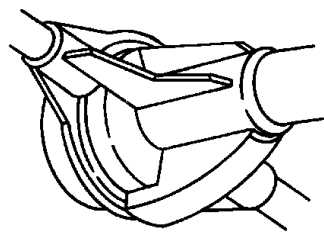
Vent,Rear Axle Fig. 3 - 310



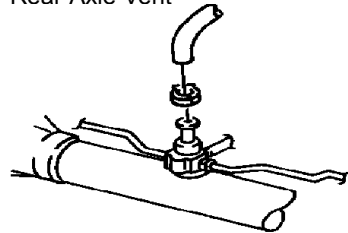
003-100
Rear Axle



003-200
Differential and Housing



003-300
Rear Axle Vent

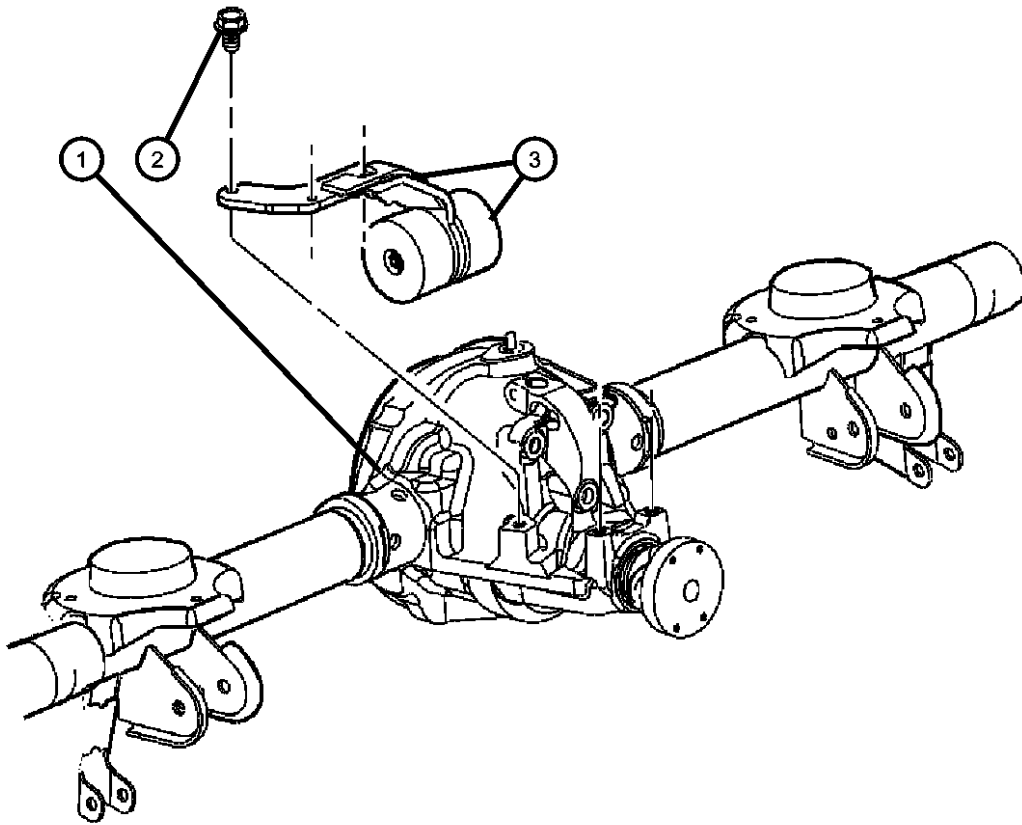


**Axle Assembly,Rear,Corporate 8.25 [DRA]
Figure 3-110**

ITEM	PART NUMBER	QTY	LINE	SERIES	BODY	ENGINE	TRANS	TRIM	DESCRIPTION
------	-------------	-----	------	--------	------	--------	-------	------	-------------

Note: Sales Codes
 [BRE]=Brakes - 4-Wheel Disc
 [BRY]=Brakes - Anti-Lock 4-Wheel Disc
 [DME]=Axle Ratio - 3.73
 [DMF]=Axle Ratio - 4.10
 [DRA]=Axle - Rear, Corporate 8.25
 [DSA]=Axle-Trac-Lok Differential

1									AXLE, Service Rear
	05102970AB	1							[DRA,DME,DSA] Tag 52114028AD
	04874469								Mopar SAE 75W-140 Synthetic Gear and Axle Lube Quart
	68003055AA								Mopar SAE 75W-140 Synthetic Gear and Axle Lube 16 Gallon Keg
	05102232AA								Mopar SAE 75W-90 Synthetic Gear Lube Quart - American Axle Manufacturing Axles
	05102971AB	1							[DRA,DME] Tag 52114030AD
	04874469								Mopar SAE 75W-140 Synthetic Gear and Axle Lube Quart
	68003055AA								Mopar SAE 75W-140 Synthetic Gear and Axle Lube 16 Gallon Keg
	05102232AA								Mopar SAE 75W-90 Synthetic Gear Lube Quart - American Axle Manufacturing Axles
	05102973AB	1							[DRA,DMF,DSA,ED1,ENJ] Tag 52114032AD
	05102974AA	1							[DRA,DMF,ED1,ENJ] Tag 52114034AD
	05104895AA	1							[DRA,DMF,ENR] Tag 52114170AC
	05104896AA	1							[DRA,DMF,DSA,ENR] Tag 52114169AC
2	06507369AA	3							BOLT, Axle Damper, Mounting
3	52111360AE	1							DAMPER, Axle



LIBERTY (KJ)

SERIES	LINE	BODY	ENGINE	TRANSMISSION
P = Limited	J = LHD (4WD)	74 = 4 Door (104.3 WB)	ED1 = Engine - 2.4L 4 Cyl DOHC 16v SMPI	DDD = Transmission - 5-Speed HD Manual
H = Sport	U = RHD (4WD)		EKG = Engine - 3.7L V6	DDK = Transmission - 5-Speed HD Manual
M = Renegade	T = LHD (2WD)		ENJ = Engine -2.5L 4 Cyl 16V Turbo Diesel	DG4 = Transmission-Multi-Speed Auto, 45RFE
			ENR = Engine - 2.8L 4 Cyl Turbo Diesel	DG6 = Transmission-4-Spd. Automatic, 42RLE
			ENO = 4Cyl Turbo Diesel	DGQ = Transmission-5-Spd Automatic 5-45RFE
			EKO = All 3.7L	DBB = All Manual Transmissions
			EDO = All 2.4L	DG0 = All Automatic Transmissions

AR = use ase required - = Non illustrated part

2004 KJ

Axle,Rear,with Differential and Housing,Corporate 8.25 [DRA]
Figure 3-210

ITEM	PART NUMBER	QTY	LINE	SERIES	BODY	ENGINE	TRANS	TRIM	DESCRIPTION
------	-------------	-----	------	--------	------	--------	-------	------	-------------

Note:Sales Codes;
[DME]=Axle Ratio - 3.73
[DMF]=Axle Ratio - 4.10
[DRA]=Axle - Rear,Corporate 8.25
[DSA]=Axle - Anti-Spin Differential

1	06028041	1							NUT, Pinion Yoke
2	02070117	1							WASHER, Pinion Yoke
3	52105065	1							FLANGE, Driveshaft Yoke
4	52070339AA	1							SEAL, Drive Pinion
5	02070316	1							BEARING, Drive PinionFront
6	02070317	1							CUP, Pinion BearingFront
7	05086370AB	1							HOUSING, Axle
8	04137696AB	1							BOLT, Axle Vent
9	06036533AA	8							STUD, Axle Housing to Backing Plate, Mounting
10	03507898AB	2							BEARING, Wheel
11	52070427AB	2							SEAL, Axle Drive Shaft
12	52070350AB	2							SHAFT, Axle
13	06036123AA	10							STUD, Wheel
14	03432695	4							SCREW, Hex Head, .50-13x2.38
15	05010884AA	1							SEALANT, RTV
16	03723681AC	1							COVER, Differential
17	06033043	10							SCREW AND WASHER, Hex Flange Head, .312-18x.562, Differential Cover, Mounting
18	52070428AA	1							PLUG, Differential Cover
19	03507876	2							ADJUSTER, Differential Bearing
20	03723859	2							LOCK, Differential Bearing
21	06023092	2							SCREW AND WASHER, Hex Head, .25-20x.50, Differential Bearing Lock, Mounting
22	03723569	2							CUP, Differential Side
23	01790541	2							BEARING, Differential
24									BOLT, Ring Gear

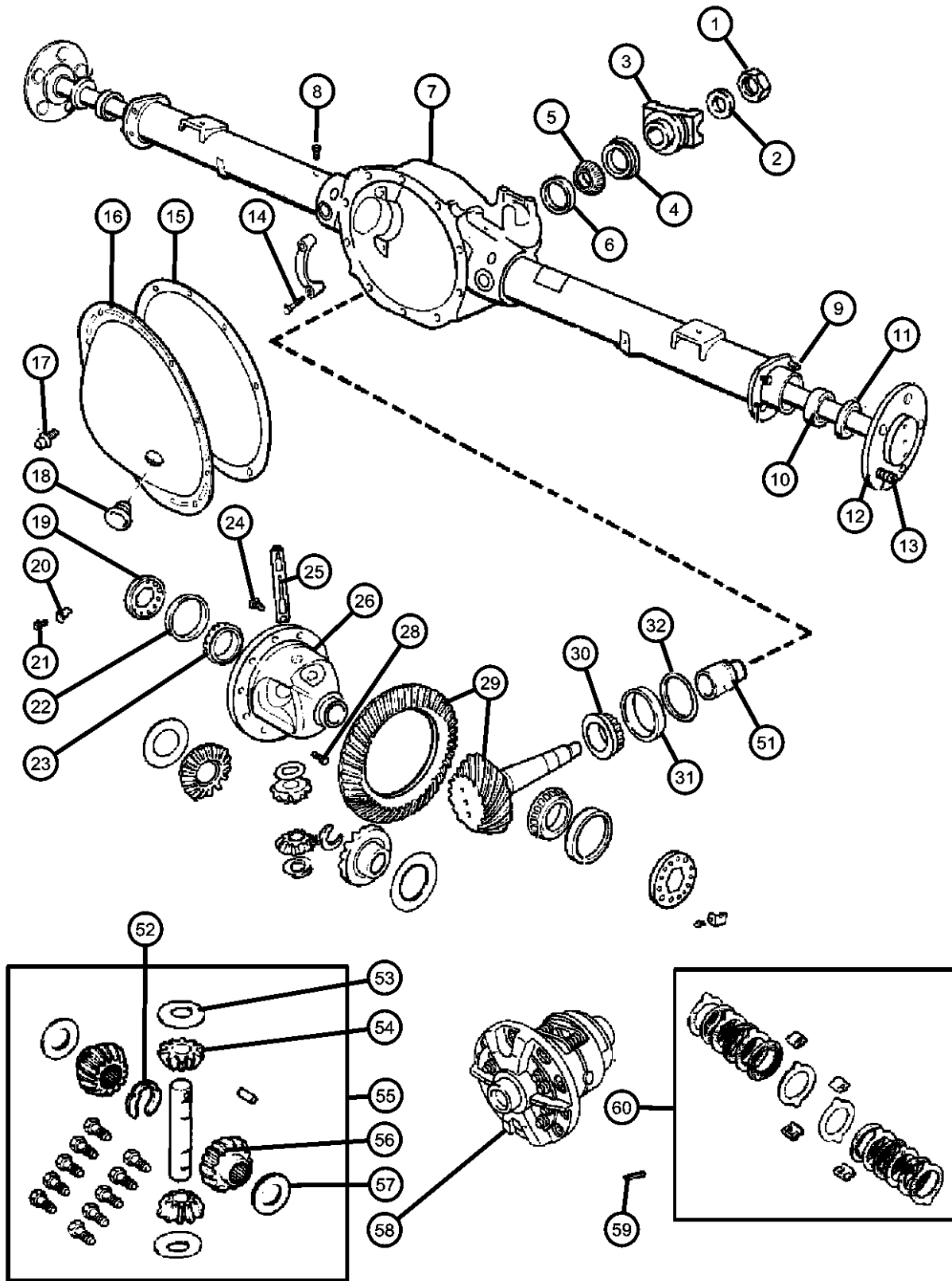
LIBERTY (KJ)

SERIES LINE
P = Limited J = LHD (4WD)
H = Sport U = RHD (4WD)
M = Renegade T = LHD (2WD)

BODY
74 = 4 Door (104.3 WB)

ENGINE
ED1 = Engine - 2.4L 4 Cyl DOHC 16v SMPI
EKG = Engine - 3.7L V6
ENJ = Engine -2.5L 4 Cyl 16V Turbo Diesel
ENR = Engine - 2.8L 4 Cyl Turbo Diesel
ENO = 4Cyl Turbo Diesel
EKO = All 3.7L
EDO = All 2.4L

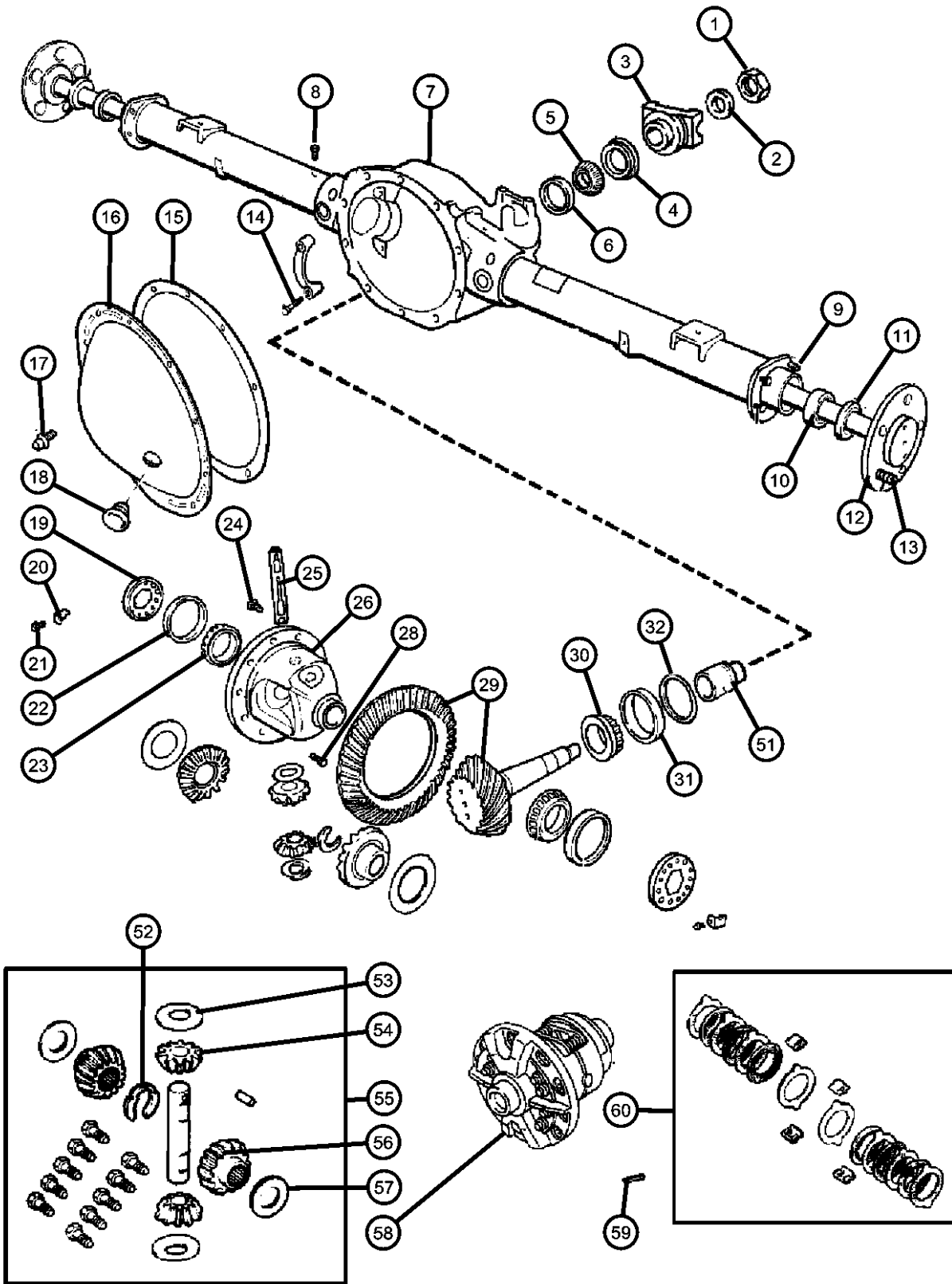
TRANSMISSION
DDD = Transmission - 5-Speed HD Manual
DDK = Transmission - 5-Speed HD Manual
DG4 = Transmission-Multi-Speed Auto, 45RFE
DG6 = Transmission-4-Spd. Automatic, 42RLE
DGQ = Transmission-5-Spd Automatic 5-45RFE
DBB = All Manual Transmissions
DG0 = All Automatic Transmissions



AR = use ase required - = Non illustrated part

2004 KJ

Axle,Rear,with Differential and Housing,Corporate 8.25 [DRA]
Figure 3-210



ITEM	PART NUMBER	QTY	LINE	SERIES	BODY	ENGINE	TRANS	TRIM	DESCRIPTION
	06507634AA	10							3/8-24X.840"
	06508058AA	1							M10x1.00x21.00MM
25	52069657	1							SHAFT, Differential Pinion, Also Serviced In Differential Gear Package, Without [DSA]
26	52069427	1							CASE, Differential With 3/8-24X.840" Ring Gear Bolts-Without [DSA] With Internal Parts
	52069428	1							With 3/8-24X.840" Ring Gear Bolts-Without [DSA] Without Internal Parts
	52114057AA	1							With M10x1.00x21.00MM Ring Gear Bolts-Without [DSA] With Internal Parts
-27	04384226	1							TONE RING, Sensor
28	03507724	1							SCREW, Hex Head, .312-18x1.80, Also Serviced in Differential Gear Package, Without [DSA] Differential Pinion Shaft, Mounting
29	04720973AB	1							GEAR KIT, Ring And Pinion [DMF] With 3/8-24X.840" Ring Gear Bolts
	05018719AA	1							[DME] With 3/8-24X.840" Ring Gear Bolts
	05135809AB	1							[DME] With M10x1.00x21.00MM Ring Gear Bolts
	05140914AB	1							[DMF] With M10x1.00x21.00MM Ring Gear Bolts
30	02800484	1							BEARING, Drive PinionRear
31	02800485	1							CUP, Pinion BearingRear
32	03723520	AR							SHIM, Drive Pinion Bearing, .020
-33	03723521	AR							SHIM, Drive Pinion Bearing, .021
-34	03723522	AR							SHIM, Drive Pinion Bearing, .022
-35	03723523	AR							SHIM, Drive Pinion Bearing, .023
-36	03723524	AR							SHIM, Drive Pinion Bearing, .024
-37	03723525	AR							SHIM, Drive Pinion Bearing, .025

LIBERTY (KJ)

SERIES LINE
P = Limited J = LHD (4WD)
H = Sport U = RHD (4WD)
M = Renegade T = LHD (2WD)

BODY
74 = 4 Door (104.3 WB)

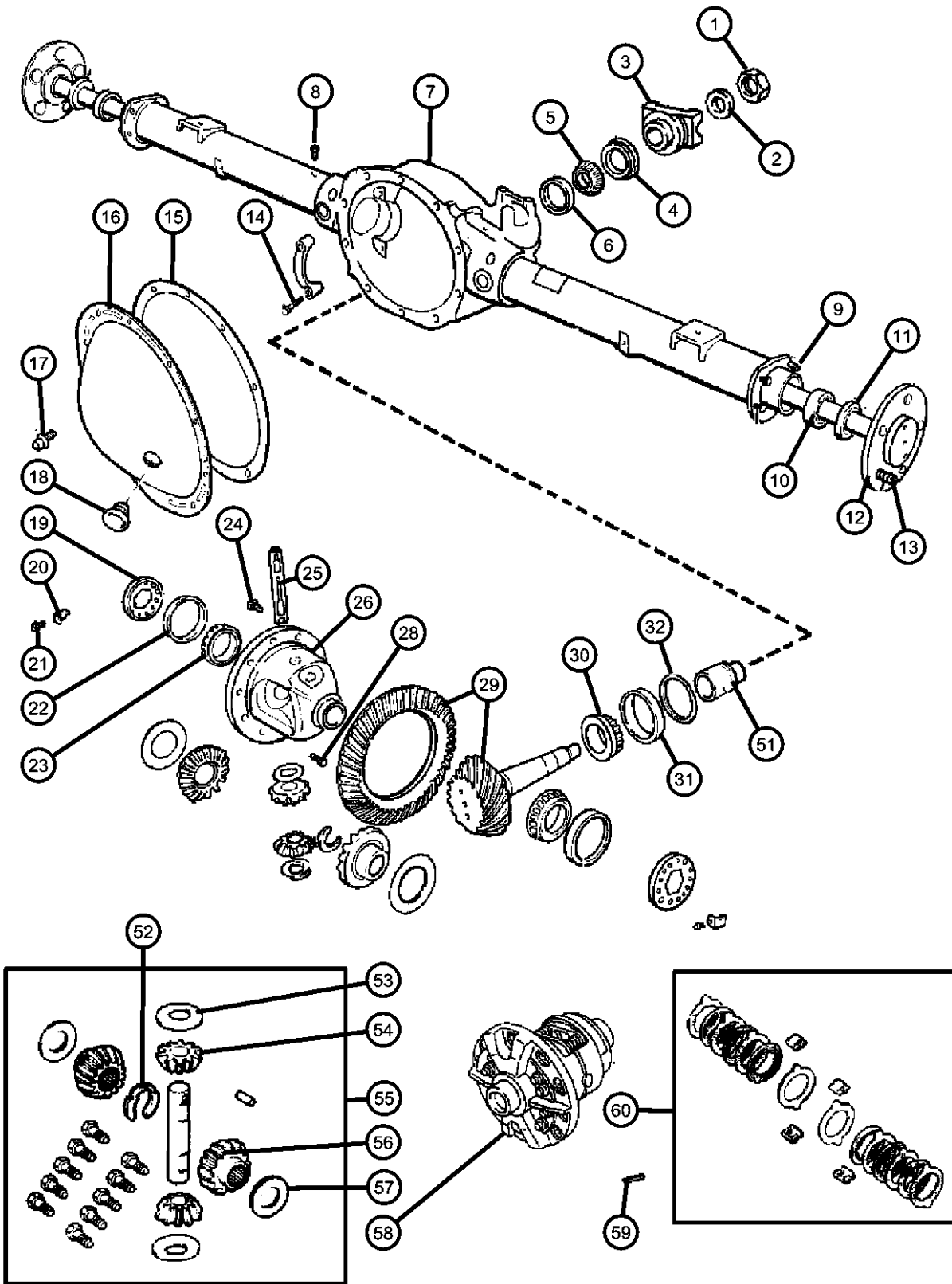
ENGINE
ED1 = Engine - 2.4L 4 Cyl DOHC 16v SMPI
EKG = Engine - 3.7L V6
ENJ = Engine -2.5L 4 Cyl 16v Turbo Diesel
ENR = Engine - 2.8L 4 Cyl Turbo Diesel
ENO = 4Cyl Turbo Diesel
EKO = All 3.7L
EDO = All 2.4L

TRANSMISSION
DDD = Transmission - 5-Speed HD Manual
DDK = Transmission - 5-Speed HD Manual
DG4 = Transmission-Multi-Speed Auto, 45RFE
DG6 = Transmission-4-Spd. Automatic, 42RLE
DGQ = Transmission-5-Spd Automatic 5-45RFE
DBB = All Manual Transmissions
DG0 = All Automatic Transmissions

AR = use ase required - = Non illustrated part

2004 KJ

Axle,Rear,with Differential and Housing,Corporate 8.25 [DRA]
Figure 3-210



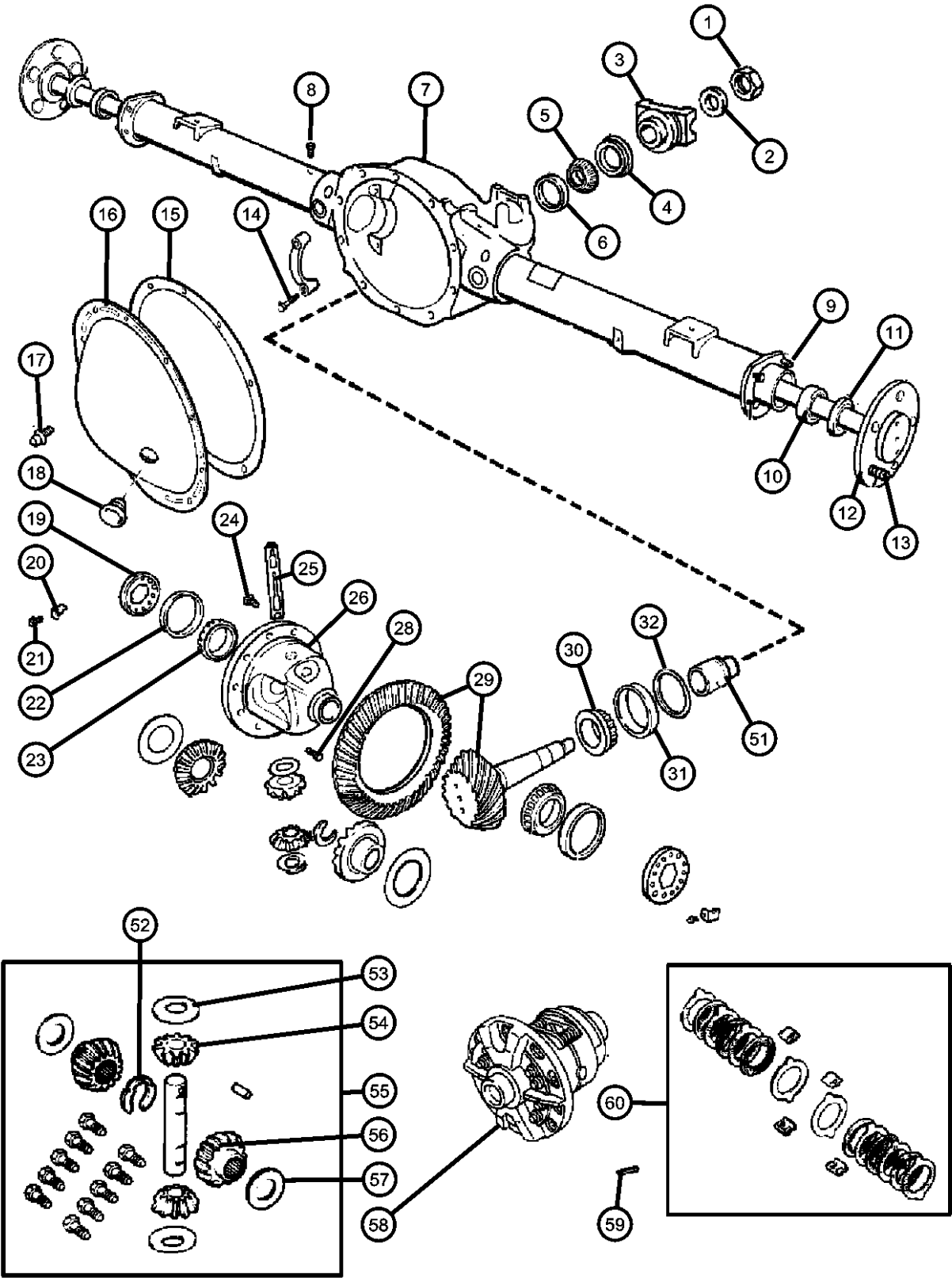
ITEM	PART NUMBER	QTY	LINE	SERIES	BODY	ENGINE	TRANS	TRIM	DESCRIPTION
-38	03723526	AR							SHIM, Drive Pinion Bearing, .026
-39	03723527	AR							SHIM, Drive Pinion Bearing, .027
-40	03723528	AR							SHIM, Drive Pinion Bearing, .028
-41	03723529	AR							SHIM, Drive Pinion Bearing, .029
-42	03723530	AR							SHIM, Drive Pinion Bearing, .030
-43	03723531	AR							SHIM, Drive Pinion Bearing, .031
-44	03723532	AR							SHIM, Drive Pinion Bearing, .032
-45	03723533	AR							SHIM, Drive Pinion Bearing, .033
-46	03723534	AR							SHIM, Drive Pinion Bearing, .034
-47	03723535	AR							SHIM, Drive Pinion Bearing, .035
-48	03723536	AR							SHIM, Drive Pinion Bearing, .036
-49	03723537	AR							SHIM, Drive Pinion Bearing, .037
-50	03723538	AR							SHIM, Drive Pinion Bearing, .038
51	03507575	1							SPACER, Drive Pinion Bearing
52	52069426	2							RETAINER, Axle Shaft
53	02852912	2							WASHER, Pinion Gear, Also Serviced In Differential Gear Package, Without [DSA]
54	02852912	2							PINION, Differential, Serviced In Differential Gear Package, (NOT SERVICED)
55	04883087AB	1							GEAR PACKAGE, Differential, Without [DSA]
56	04883087AB	1							GEAR, Differential, Serviced In Differential Gear Package, (NOT SERVICED)
57	04883085	1							WASHER PACKAGE, Side Gear Thrust, Also Serviced In Differential Gear Package, Without [DSA]
58	52098778AE	1							CASE, Differential With [DSA] With Internal Parts-With M10x1.00x21.00MM Ring Gear Bolts

LIBERTY (KJ)				
SERIES	LINE	BODY	ENGINE	TRANSMISSION
P = Limited	J = LHD (4WD)	74 = 4 Door (104.3 WB)	ED1 = Engine - 2.4L 4 Cyl DOHC 16v SMPI	DDD = Transmission - 5-Speed HD Manual
H = Sport	U = RHD (4WD)		EKG = Engine - 3.7L V6 Turbo Diesel	DDK = Transmission - 5-Speed HD Manual
M = Renegade	T = LHD (2WD)		ENJ = Engine -2.5L 4 Cyl 16V Turbo Diesel	DG4 = Transmission-Multi-Speed Auto, 45RFE
			ENR = Engine - 2.8L 4 Cyl Turbo Diesel	DG6 = Transmission-4-Spd. Automatic, 42RLE
			ENO = 4Cyl Turbo Diesel	DGQ = Transmission-5-Spd Automatic 5-45RFE
			EKO = All 3.7L	DBB = All Manual Transmissions
			EDO = All 2.4L	DG0 = All Automatic Transmissions

AR = use ase required - = Non illustrated part

Axle,Rear,with Differential and Housing,Corporate 8.25 [DRA]
Figure 3-210

ITEM	PART NUMBER	QTY	LINE	SERIES	BODY	ENGINE	TRANS	TRIM	DESCRIPTION
	52098778AC	1							With [DSA] With Internal Parts-With 3/8-24X.840" Ring Gear Bolts
59	68004687AA	1							SCREW, Hex Head, With [DSA]
60	05252506	1							DISC AND PLATE KIT, Differential, With [DSA]

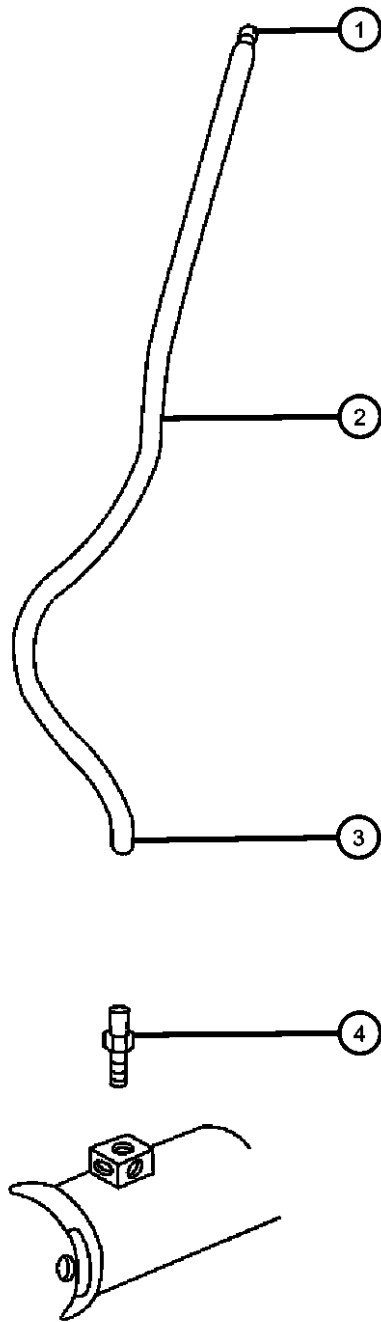


LIBERTY (KJ)				
SERIES	LINE	BODY	ENGINE	TRANSMISSION
P = Limited	J = LHD (4WD)	74 = 4 Door (104.3 WB)	ED1 = Engine - 2.4L 4 Cyl DOHC 16v SMPI	DDD = Transmission - 5-Speed HD Manual
H = Sport	U = RHD (4WD)		EKG = Engine - 3.7L V6 Turbo Diesel	DDK = Transmission - 5-Speed HD Manual
M = Renegade	T = LHD (2WD)		ENJ = Engine -2.5L 4 Cyl 16V Turbo Diesel	DG4 = Transmission-Multi-Speed Auto, 45RFE
			ENR = Engine - 2.8L 4 Cyl Turbo Diesel	DG6 = Transmission-4-Spd. Automatic, 42RLE
			ENO = 4Cyl Turbo Diesel	DGQ = Transmission-5-Spd Automatic 5-45RFE
			EK0 = All 3.7L	DBB = All Manual Transmissions
			ED0 = All 2.4L	DG0 = All Automatic Transmissions

AR = use ase required - = Non illustrated part

Vent,Rear Axle
Figure 3-310

ITEM	PART NUMBER	QTY	LINE	SERIES	BODY	ENGINE	TRANS	TRIM	DESCRIPTION
------	-------------	-----	------	--------	------	--------	-------	------	-------------



Note:Sales Codes;

[DBB]=Transmissions - All Manual
[DG0]=Transmissions - All Automatic
[DG4]=Transmission - Multi-Speed Automatic,45RF
[DG6]=Transmission - 4 Speed Automatic,42RL
[DRA]=Axle - Rear,Corporate 8.25

1	J5352955	1							
2	HFV00516AB	1							
3	06032633	1							
4	04137696AB	1							

VENT, Axle
HOSE, Fuel And Vapor, 25 Foot Roll 5/16"
CLIP, Vent Tube, Axle Vent Hose, Mounting
BOLT, Axle Vent

LIBERTY (KJ)

SERIES LINE
P = Limited J = LHD (4WD)
H = Sport U = RHD (4WD)
M = Renegade T = LHD (2WD)

BODY
74 = 4 Door (104.3 WB)

ENGINE
ED1 = Engine - 2.4L 4 Cyl DOHC 16v SMPI
EKG = Engine - 3.7L V6
ENJ = Engine -2.5L 4 Cyl 16V Turbo Diesel
ENR = Engine - 2.8L 4 Cyl Turbo Diesel
ENO = 4Cyl Turbo Diesel
EKO = All 3.7L
EDO = All 2.4L

TRANSMISSION
DDD = Transmission - 5-Speed HD Manual
DDK = Transmission - 5-Speed HD Manual
DG4 = Transmission-Multi-Speed Auto, 45RFE
DG6 = Transmission-4-Spd. Automatic, 42RLE
DGQ = Transmission-5-Spd Automatic 5-45RFE
DBB = All Manual Transmissions
DG0 = All Automatic Transmissions

AR = use ase required - = Non illustrated part

2004 KJ

Group - 4

Parking Brake

Group - 4 Parking Brake

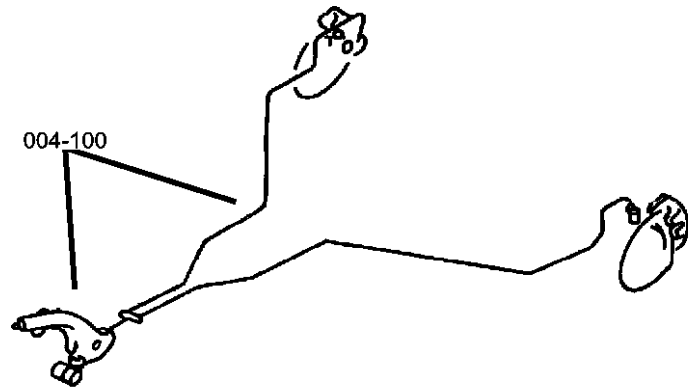
Illustration Title

Group-Fig. No.

Parking Brake Lever and Cables

Parking Brake Lever and Cables..... Fig. 4 - 110

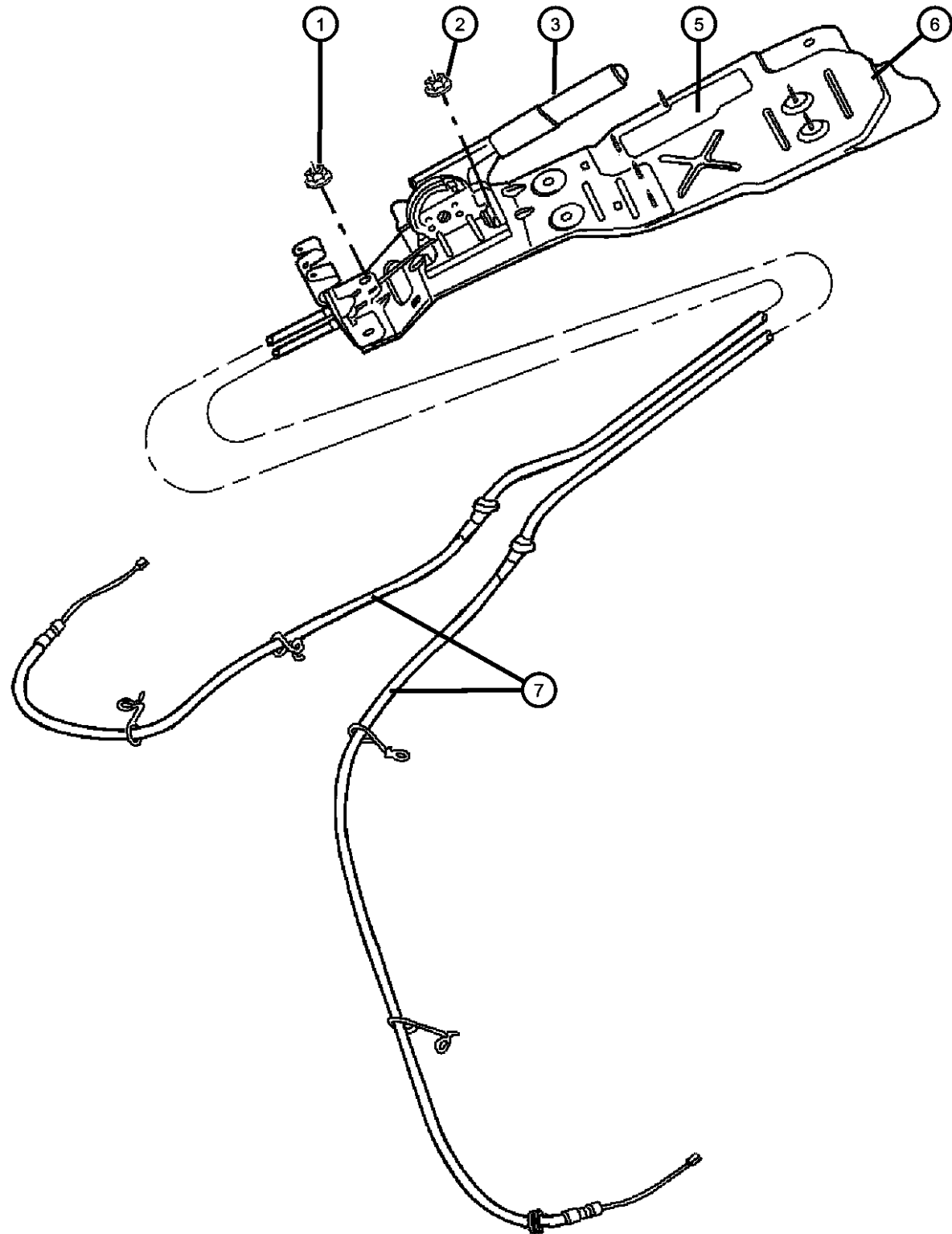
Parking Brake Assembly,Rear,Disc..... Fig. 4 - 120



004-100
Parking Brake Lever and Cables



Parking Brake Lever and Cables
Figure 4-110



ITEM	PART NUMBER	QTY	LINE	SERIES	BODY	ENGINE	TRANS	TRIM	DESCRIPTION
------	-------------	-----	------	--------	------	--------	-------	------	-------------

Note:Sales Codes;
[DD0]=Transmissions - All 5-Speed Manual
[DG0]=Transmissions - All Automatic

1	06501483	4							NUT, Hex Flange, M8x1.25, Park Brake Sled to Floor Pan, Mounting
2	06104716AA	4							NUT, Park Brake Lever to Sled, Mounting
3	52128860AB	1							LEVER, Park Brake
-4	52127960	1							SWITCH, Parking Brake, Indicator Light
5									SEAL, Parking Brake Housing
	52128503AA	1							[DG0]
	52128504AA	1							[DD0]
6									BRACKET, Parking Brake
	52128712AC	1							[DD0]
	52128714AC	1							[DG0]
7									CABLE, Parking Brake
	52128510AE	1							Right
	52128511AD	1							Left
-8	56021252	1							CLIP, Parking Brake Cable, Anti-Rotation [DD0]
-9	56021252	1							SCREW, Hex Flange Head, M8x1.25x25.00, (NOT SERVICED)
-10									CLIP, Cable Routing
	52128612AB	1							Holds Cable to Control Arm, Right
	52128613AB	1							Holds Cable to Control Arm, Left

LIBERTY (KJ)

SERIES	LINE
P = Limited	J = LHD (4WD)
H = Sport	U = RHD (4WD)
M = Renegade	T = LHD (2WD)

BODY
74 = 4 Door (104.3 WB)

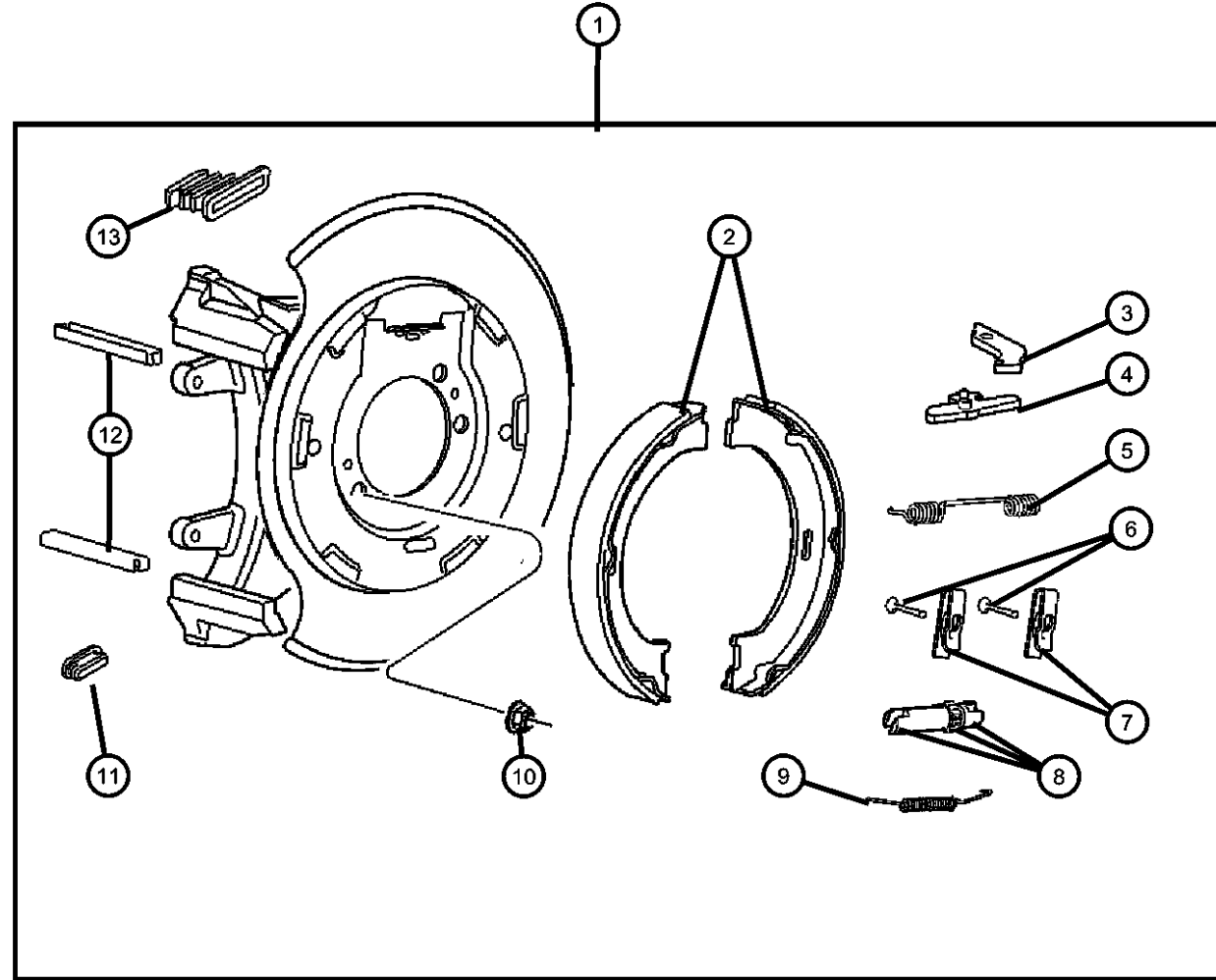
ENGINE
ED1 = Engine - 2.4L 4 Cyl DOHC 16v SMPI
EKG = Engine - 3.7L V6
ENJ = Engine -2.5L 4 Cyl 16V Turbo Diesel
ENR = Engine - 2.8L 4 Cyl Turbo Diesel
ENO = 4Cyl Turbo Diesel
EKO = All 3.7L
EDO = All 2.4L

TRANSMISSION
DDD = Transmission - 5-Speed HD Manual
DDK = Transmission - 5-Speed HD Manual
DG4 = Transmission-Multi-Speed Auto, 45RFE
DG6 = Transmission-4-Spd. Automatic, 42RLE
DGQ = Transmission-5-Spd Automatic 5-45RFE
DBB = All Manual Transmissions
DG0 = All Automatic Transmissions

AR = use ase required - = Non illustrated part

2004 KJ

**Parking Brake Assembly,Rear,Disc
Figure 4-120**



ITEM	PART NUMBER	QTY	LINE	SERIES	BODY	ENGINE	TRANS	TRIM	DESCRIPTION
1									ADAPTER, Parking Brake
	52128414AB	1							Right
	52128415AB	1							Left
2	05093390AA	1							SHOE AND LINING KIT, Parking Brake
	BHKP7328								Mopar Parking Brake Hardware Kit
3	05093392AA	1							LEVER, Park Brake Adjusting
4									LEVER, Park Brake
	05093334AA	1							Right
	05093338AA	1							Left
5	05093393AA	1							SPRING, Park Brake Shoe Return
6	04762126	2							PIN, Brake Shoe Hold Down
7	04762125	2							CLIP, Parking Brake Hold Down
8	05093391AA	1							ADJUSTER, Parking Brake
9	04762116	1							SPRING, Park Brake Shoe Return
10	06036159AA	8							NUT, Hex, .375-24, Parking Brake Adapter, Mounting
11	04762121	1							PLUG, Brake Adjusting Hole
12	05093394AB	2							SLIPPER, Caliper
13	05093395AA	1							BOOT, Parking Brake Lever

LIBERTY (KJ)

SERIES LINE
P = Limited J = LHD (4WD)
H = Sport U = RHD (4WD)
M = Renegade T = LHD (2WD)

BODY
74 = 4 Door (104.3 WB)

ENGINE
ED1 = Engine - 2.4L 4 Cyl DOHC 16v SMPI
EKG = Engine - 3.7L V6
ENJ = Engine -2.5L 4 Cyl 16v Turbo Diesel
ENR = Engine - 2.8L 4 Cyl Turbo Diesel
ENO = 4Cyl Turbo Diesel
EK0 = All 3.7L
ED0 = All 2.4L

TRANSMISSION
DDD = Transmission - 5-Speed HD Manual
DDK = Transmission - 5-Speed HD Manual
DG4 = Transmission-Multi-Speed Auto, 45RFE
DG6 = Transmission-4-Spd. Automatic, 42RLE
DGQ = Transmission-5-Spd Automatic 5-45RFE
DBB = All Manual Transmissions
DG0 = All Automatic Transmissions

AR = use ase required - = Non illustrated part

2004 KJ

Group - 5

Service Brakes

Group - 5 Service Brakes

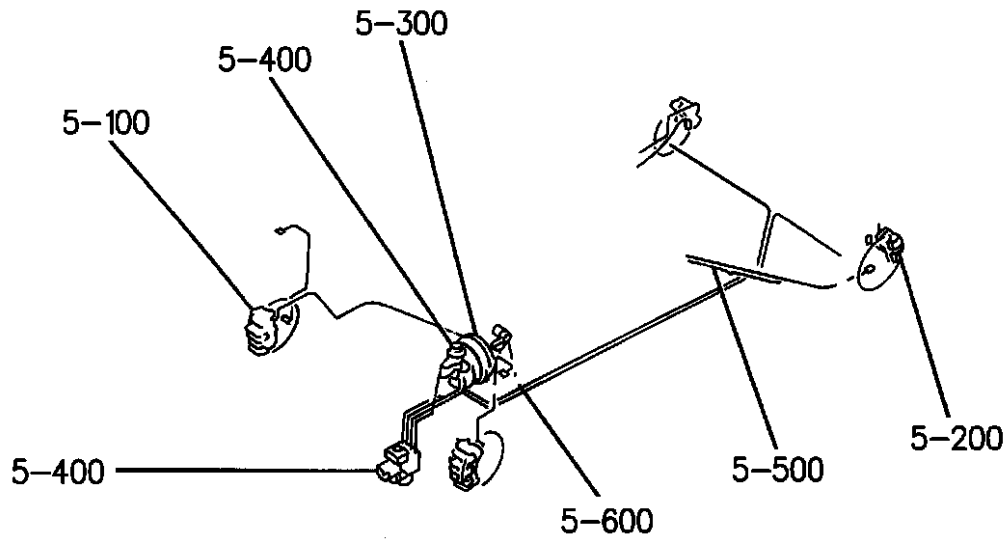


Illustration Title

Group-Fig. No.

Front Brakes

Brakes,Front Fig. 5 - 110

Rear Brakes

Brakes,Rear,Disc Fig. 5 - 210

Power Brake Booster

Booster,Power Brake Fig. 5 - 310

Brake Master Cylinder

Master Cylinder,Brake Fig. 5 - 410

Brake Lines and Hoses

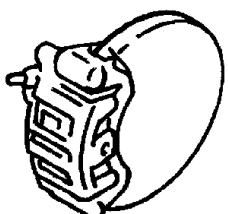
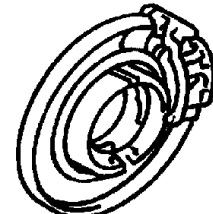
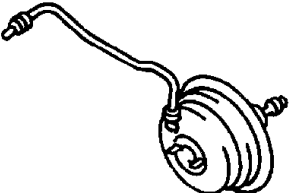
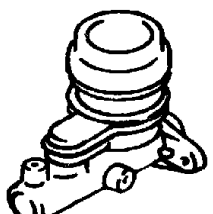
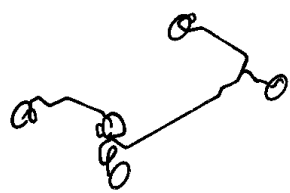

Brake Lines,Front,LHD Fig. 5 - 510

Brake Lines,Front,RHD Fig. 5 - 520

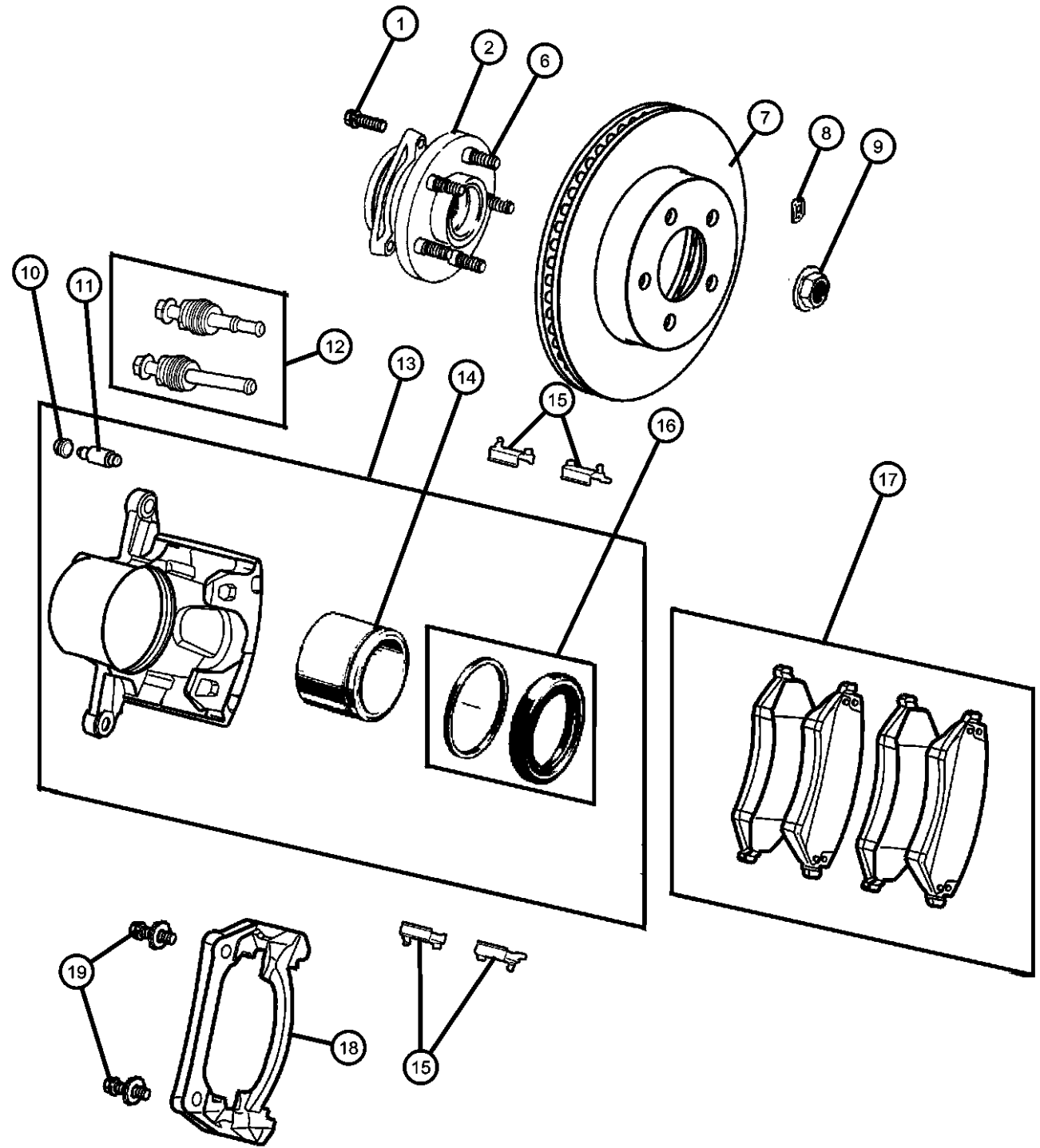
Brake Lines,Rear Fig. 5 - 530

Brake Pedals

Pedals,Brake and Clutch Fig. 5 - 610

<p>005-100 Front Brakes</p> 	<p>005-200 Rear Brakes</p> 	<p>005-300 Power Brake Booster</p> 	<p>005-400 Brake Master Cylinder</p> 
<p>005-500 Brake Lines and Hoses</p> 	<p>005-600 Brake Pedals</p> 		

Brakes,Front
Figure 5-110



ITEM	PART NUMBER	QTY	LINE	SERIES	BODY	ENGINE	TRANS	TRIM	DESCRIPTION
------	-------------	-----	------	--------	------	--------	-------	------	-------------

Note:Sales Codes;
[BRE]=Brakes - 4 Wheel Disc
[BRY]=Brakes - Anti-Lock 4 Wheel Disc

1	06503088	3							BOLT, Knuckle to Bearing Attaching, M12 x 1.75 x 43.00
2									HUB AND BEARING, Brake
	52128352AB	1							[BRE], Right or Left
	52128692AB	1							[BRY], Right
	52128693AB	1							[BRY], Left
-3									SENSOR, Anti-Lock Brakes
	52128694AB	1							Right
	52128695AB	1							Left
-4	05175374AA	1							BOLT, ABS Sensor, Mounting
-5	52128584AA	1							CLIP, Wiring, [BRY] Sensor Wire to Knuckle, Mounting
6	06036388AA	5							BOLT, Hub and Rotor
7	52128247AA	1							ROTOR, Brake
	V5018247AB								Mopar V-Line Alternative Brake Rotors
8	06031635	1							NUT, Push
9									NUT, Hex
	06506454AA	2			J, U				Halfshaft Retention
	06506633AA	2			T				
10	04238717	1							CAP, Bleeder
11	03780788	1							SCREW, Bleeder
12	05019987AA	1							PIN KIT, Disc Brake
13									CALIPER, Disc Brake
	05066422AA	1							Right
	VK642223AA								Mopar Loaded Brake Caliper Kit (2 Calipers, Brake Friction)
	05066423AA	1							Left
	VK642223AA								Mopar Loaded Brake Caliper Kit (2 Calipers, Brake Friction)
14	05066425AA	1							PISTON, Brake

LIBERTY (KJ)

SERIES LINE
P = Limited J = LHD (4WD)
H = Sport U = RHD (4WD)
M = Renegade T = LHD (2WD)

BODY
74 = 4 Door (104.3 WB)

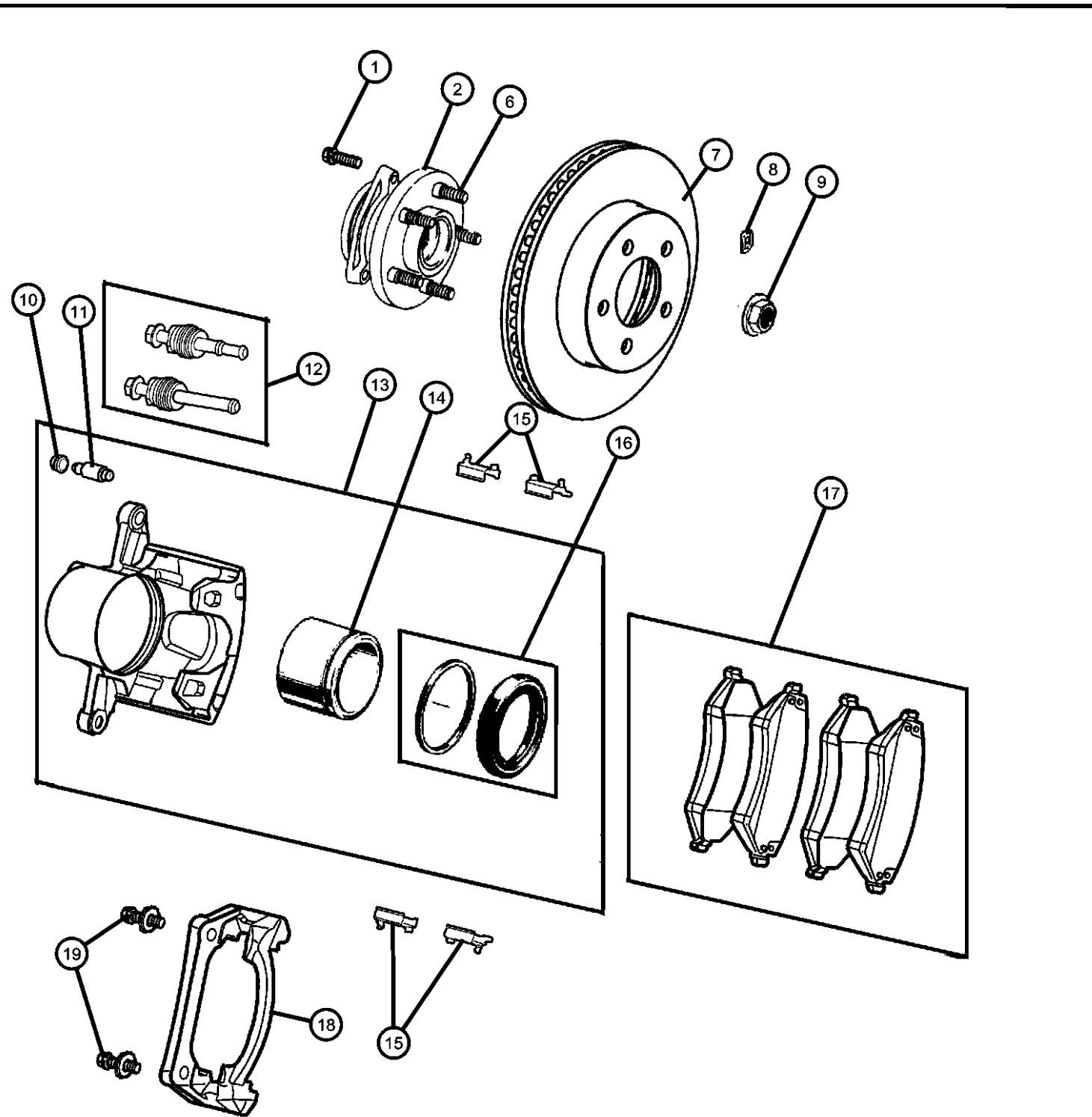
ENGINE
ED1 = Engine - 2.4L 4 Cyl DOHC 16v SMPI
EKG = Engine - 3.7L V6
ENJ = Engine -2.5L 4 Cyl 16v Turbo Diesel
ENR = Engine - 2.8L 4 Cyl Turbo Diesel
ENO = 4Cyl Turbo Diesel
ED0 = All 2.4L

TRANSMISSION
DDD = Transmission - 5-Speed HD Manual
DDK = Transmission - 5-Speed HD Manual
DG4 = Transmission-Multi-Speed Auto, 45RFE
DG6 = Transmission-4-Spd. Automatic, 42RLE
DGQ = Transmission-5-Spd Automatic 5-45RFE
DBB = All Manual Transmissions
DG0 = All Automatic Transmissions

AR = use ase required - = Non illustrated part

2004 KJ

**Brakes,Front
Figure 5-110**

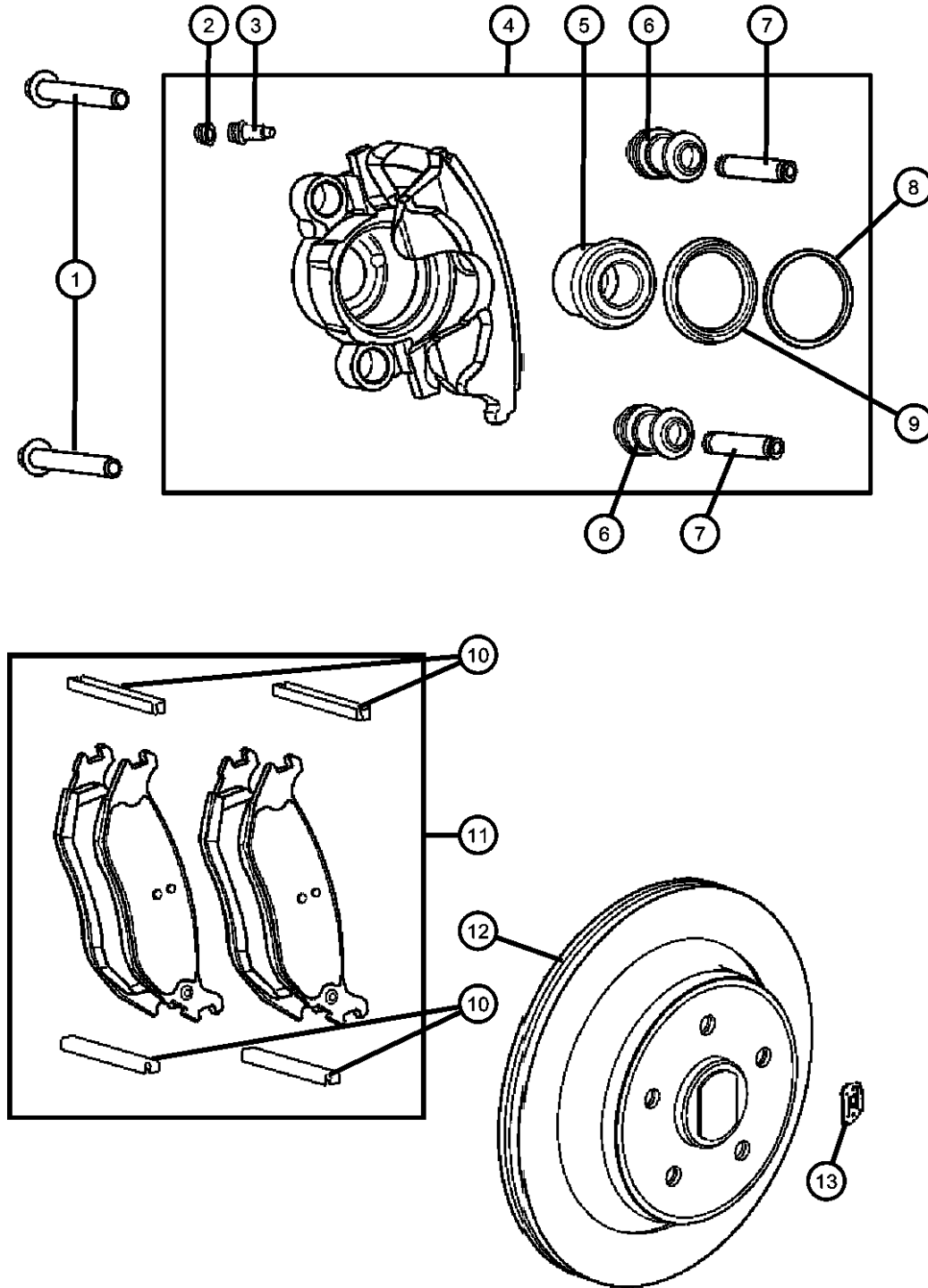


ITEM	PART NUMBER	QTY	LINE	SERIES	BODY	ENGINE	TRANS	TRIM	DESCRIPTION
15	05019985AB	1							CLIP PACKAGE, Contains 4 Clips
16	05066426AA	1							BOOT AND SEAL, Disc Brake
17									PAD KIT, Front Disc Brake
	05066427AA	1							[BRE,BRY] B,C,U Without [ABB]
	VKJ08247								Make It New Brake Kits
	V3016427								Mopar V-Line Alternative Part Ceramic
	VOE08247								Make It Original Brake Kit
	VCKJ8247								Make It Ceramic Brake Kit
	V1013427								Mopar V-Line Alternative Part
	BHKH5665								Mopar V-Line Alternative Part Disc Hardware
	BHKH5082								Mopar V-Line Alternative Part Caliper Bolts
	VK642223AA								Mopar Loaded Brake Caliper Kit (2 Calipers, Brake Friction)
	05096349AA	1							[BRE,BRY,ABB] B
	BHKH5665								Mopar V-Line Alternative Part Disc Hardware
	BHKH5082								Mopar V-Line Alternative Part Caliper Bolts
	V1016349								Mopar V-Line Alternative Part
	05271808AA	1							Mexico Only
18	05066428AA	1							ADAPTER, Disc Brake CaliperRight or Left
19	06102149AA	2							BOLT, Caliper, Mounting

LIBERTY (KJ)				
SERIES	LINE	BODY	ENGINE	TRANSMISSION
P = Limited	J = LHD (4WD)	74 = 4 Door (104.3 WB)	ED1 = Engine - 2.4L 4 Cyl DOHC 16v SMPI	DDD = Transmission - 5-Speed HD Manual
H = Sport	U = RHD (4WD)		EKG = Engine - 3.7L V6	DDK = Transmission - 5-Speed HD Manual
M = Renegade	T = LHD (2WD)		ENJ = Engine -2.5L 4 Cyl 16v Turbo Diesel	DG4 = Transmission-Multi-Speed Auto, 45RFE
			ENR = Engine - 2.8L 4 Cyl Turbo Diesel	DG6 = Transmission-4-Spd. Automatic, 42RLE
			ENO = 4Cyl Turbo Diesel	DGQ = Transmission-5-Spd Automatic 5-45RFE
			EK0 = All 3.7L	DBB = All Manual Transmissions
			ED0 = All 2.4L	DG0 = All Automatic Transmissions

AR = use ase required - = Non illustrated part

Brakes,Rear,Disc
Figure 5-210



ITEM	PART NUMBER	QTY	LINE	SERIES	BODY	ENGINE	TRANS	TRIM	DESCRIPTION
1	06507603AA	4							PIN, Caliper
2	05093278AA	1							CAP, Bleeder
3	J0920463	1							BLEEDER SCREW, Brake
4	05093274AA	1							CALIPER, Disc Brake Right
	VK327479AA								Mopar Loaded Brake Caliper Kit (2 Calipers, Brake Friction)
	05093279AA	4							Left
	VK327479AA								Mopar Loaded Brake Caliper Kit (2 Calipers, Brake Friction)
5	05093275AA	1							PISTON, Brake
6	04762106	2							BUSHING, Caliper
7	04762105	2							SLEEVE, Brake Caliper
8	05093276AA	1							SEAL, Caliper Piston
9	05093277AA	1							BOOT, Brake Piston
10	05093394AB	4							SLIPPER, Caliper
11	05083882AE	1							PAD KIT, Disc Brake
	V2013882								Mopar V-Line Alternative Part
	BHKH5695								Mopar V-Line Alternative Part Disc Hardware
	BHKH5066								Mopar V-Line Alternative Part Caliper Bolts
	V4010981								Mopar V-Line Alternative Part Ceramic
	VRKJ3882AA								Mopar Make it New Rear
12	52128411AB	2							ROTOR, Brake
13	06026430	4							NUT, Push

LIBERTY (KJ)

SERIES LINE
P = Limited J = LHD (4WD)
H = Sport U = RHD (4WD)
M = Renegade T = LHD (2WD)

BODY
74 = 4 Door (104.3 WB)

ENGINE
ED1 = Engine - 2.4L 4 Cyl
DOHC 16v SMPI
EKG = Engine - 3.7L V6
ENJ = Engine -2.5L 4 Cyl 16V
Turbo Diesel
ENR = Engine - 2.8L 4 Cyl
Turbo Diesel
ENO = 4Cyl Turbo Diesel
EKO = All 3.7L
EDO = All 2.4L

TRANSMISSION
DDD = Transmission - 5-Speed HD
Manual
DDK = Transmission - 5-Speed HD
Manual
DG4 = Transmission-Multi-Speed
Auto, 45RFE
DG6 = Transmission-4-Spd.
Automatic, 42RLE
DGQ = Transmission-5-Spd Automatic
5-45RFE
DBB = All Manual Transmissions
DG0 = All Automatic Transmissions

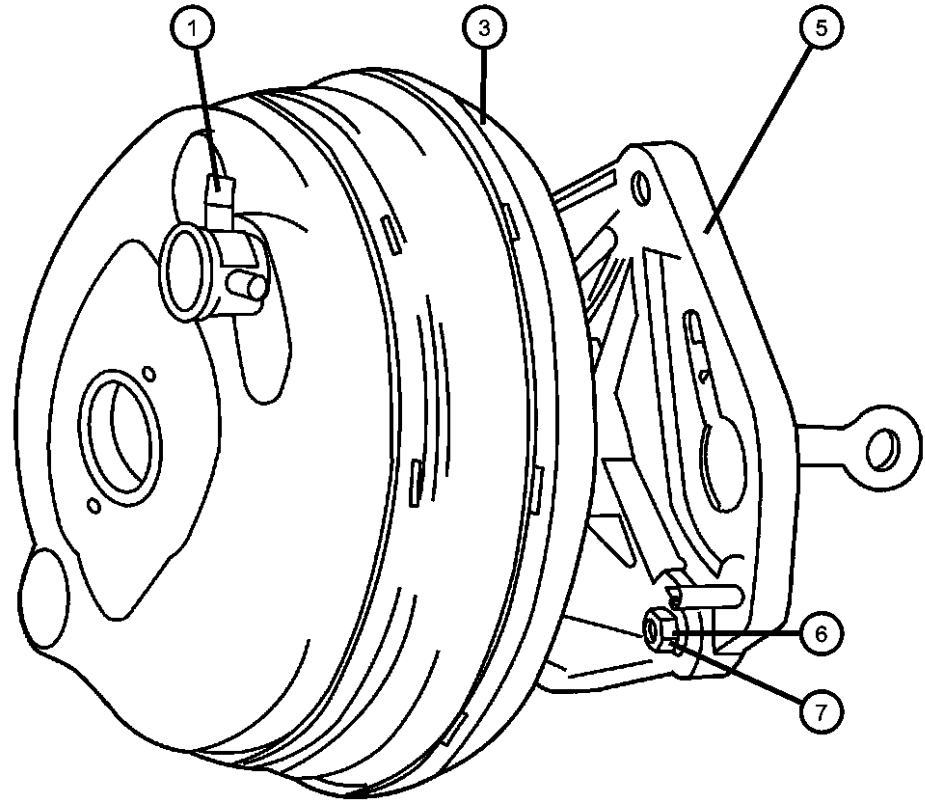
AR = use ase required - = Non illustrated part

2004 KJ

**Booster,Power Brake
Figure 5-310**

ITEM	PART NUMBER	QTY	LINE	SERIES	BODY	ENGINE	TRANS	TRIM	DESCRIPTION
------	-------------	-----	------	--------	------	--------	-------	------	-------------

Note: Sales Codes;
 [ED0]=Engines - All 2.2, 2.5, 2.4L 4 Cylinder Gas
 [EK0]=Engines - All 3.7L 6 Cylinder Gas
 [EN0]=Engines - All 4/5 Cylinder Turbo Diesel



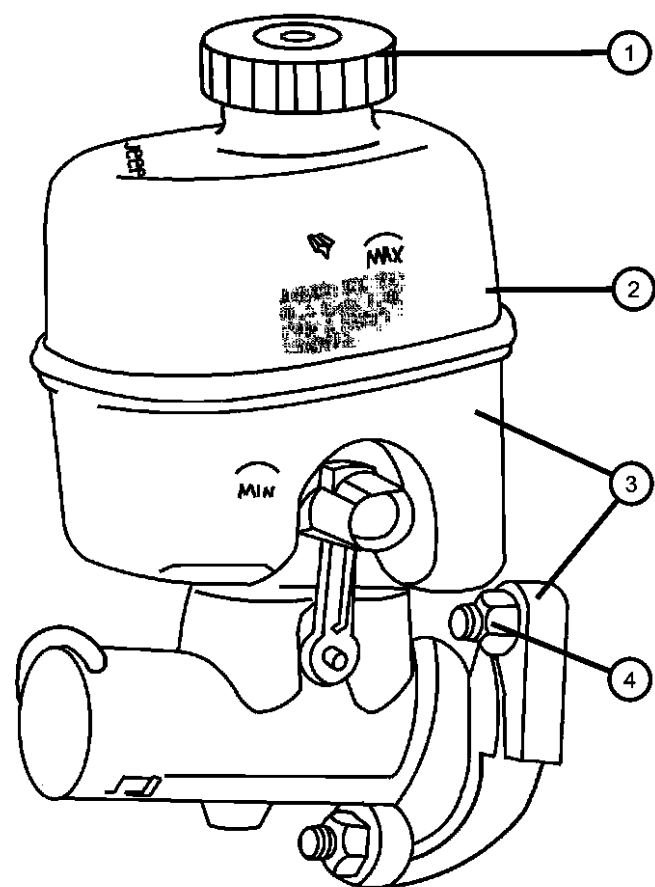
1									VALVE, Vacuum Check
	05072522AA	1	U						
		1	J, T						
-2	05103338AA	1	U						CAP, Vacuum Port
3									BOOSTER, Power Brake
	05134120AA	1	U						
		1	J, T						
-4	06506386AA	2							NUT, Hex Flange With Serration, Brake Booster to Actuator Mounting Bracket, Mounting
5									BRACKET, Brake Booster
	52128353AB	1	J, T						[DBB], Mounting
	52128356AB	1	U						[DBB], Mounting
	52128730AA	1	J, T						[DG0], Mounting
	52128731AA	1	U						[DG0], Mounting
6									NUT AND WASHER, Hex, M8x1.25
	06504175	3	J, T						Actuator Mounting Bracket to Dash Panel, Mounting
		2	U						Actuator Mounting Bracket to Dash Panel, Mounting
7	06506386AA	1	U						NUT, Hex Flange With Serration, Actuator Mounting Bracket to Dash Panel, Mounting
-8									HOSE, Vacuum Supply
	52128313AB	1	U						[ED0]-Engine To Booster
	52128314AD	1	U						[EK0]-Engine To Booster
	52128316AE	1	U						[EN0]-Engine To Booster
	52128317AA	1	J, T						[ED0]-Engine To Booster
	52128318AC	1	J, T						[EK0]-Engine To Booster
	52128370AA	1	J, T						[EN0]-Engine To Booster

LIBERTY (KJ)

SERIES	LINE	BODY	ENGINE	TRANSMISSION
P = Limited	J = LHD (4WD)	74 = 4 Door (104.3 WB)	ED1 = Engine - 2.4L 4 Cyl DOHC 16v SMPI	DDD = Transmission - 5-Speed HD Manual
H = Sport	U = RHD (4WD)		EKG = Engine - 3.7L V6	DDK = Transmission - 5-Speed HD Manual
M = Renegade	T = LHD (2WD)		ENJ = Engine -2.5L 4 Cyl 16v Turbo Diesel	DG4 = Transmission-Multi-Speed Auto, 45RFE
			ENR = Engine - 2.8L 4 Cyl Turbo Diesel	DG6 = Transmission-4-Spd. Automatic, 42RLE
			ENO = 4Cyl Turbo Diesel	DGQ = Transmission-5-Spd Automatic 5-45RFE
			EKO = All 3.7L	DBB = All Manual Transmissions
			ED0 = All 2.4L	DG0 = All Automatic Transmissions

AR = use ase required - = Non illustrated part

**Master Cylinder, Brake
Figure 5-410**



ITEM	PART NUMBER	QTY	LINE	SERIES	BODY	ENGINE	TRANS	TRIM	DESCRIPTION
1									CAP, Master Cylinder Reservoir
	05072525AA	1	U						
		1	J, T						
2		1							RESERVOIR, Brake Master Cylinder, Order Item 3, (NOT SERVICED)
3									MASTER CYLINDER, Brake
	05072524AB	1	U						With Reservoir and Cap
	05072526AB	1	J, T						With Reservoir and Cap
4									NUT
	05072523AA	1	J, T						Master Cylinder to Booster, Mounting
		2	U						Master Cylinder to Booster, Mounting

LIBERTY (KJ)

SERIES	LINE
P = Limited	J = LHD (4WD)
H = Sport	U = RHD (4WD)
M = Renegade	T = LHD (2WD)

BODY
74 = 4 Door (104.3 WB)

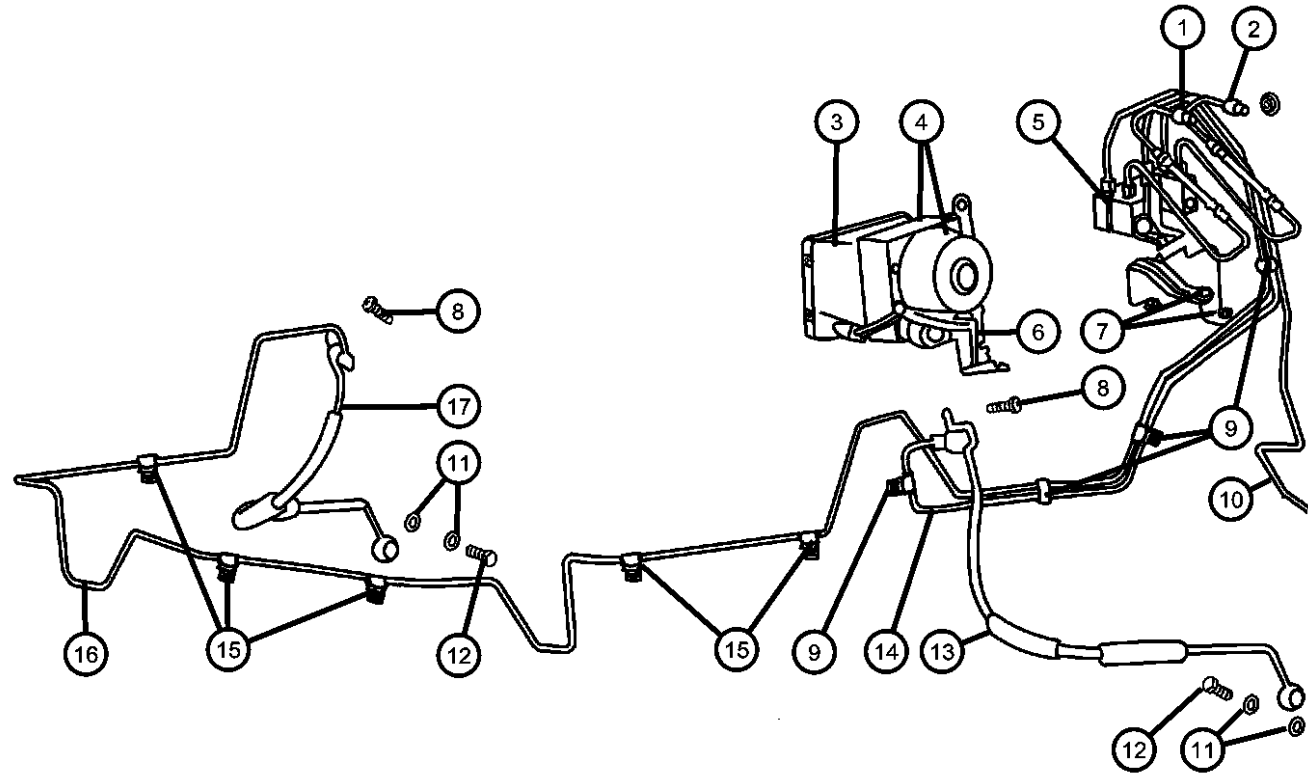
ENGINE
ED1 = Engine - 2.4L 4 Cyl DOHC 16v SMPI
EKG = Engine - 3.7L V6
ENJ = Engine -2.5L 4 Cyl 16V Turbo Diesel
ENR = Engine - 2.8L 4 Cyl Turbo Diesel
ENO = 4Cyl Turbo Diesel
EKO = All 3.7L
EDO = All 2.4L

TRANSMISSION
DDD = Transmission - 5-Speed HD Manual
DDK = Transmission - 5-Speed HD Manual
DG4 = Transmission-Multi-Speed Auto, 45RFE
DG6 = Transmission-4-Spd. Automatic, 42RLE
DGQ = Transmission-5-Spd Automatic 5-45RFE
DBB = All Manual Transmissions
DG0 = All Automatic Transmissions

AR = use ase required - = Non illustrated part

2004 KJ

Brake Lines,Front,LHD
Figure 5-510



ITEM	PART NUMBER	QTY	LINE	SERIES	BODY	ENGINE	TRANS	TRIM	DESCRIPTION
1	52128293AD	1	J, T						TUBE, Brake, Master Cylinder to Union Block/HCU, Secondary
2	52128292AC	1	J, T						TUBE, Brake, Master Cylinder to Union Block/HCU, Primary
3	05083084AA	1							MODULE, Anti-lock Brakes, [BRY]
4	05083083AA	1							CONTROL UNIT, Anti-Lock Brake, [BRY]
5	52128676AA	1							BLOCK, Brake Line Union, [BRE]
6	05066569AA	1							BRACKET, Hydraulic Control Unit, [BRY], Mounting
7	06100048	2							NUT, Hex, M6x1.00
8	06100048	2							SCREW, Pan Head, M6x1.00x16.00, (NOT SERVICED)
9	52008940	3							CLIP, Brake Line, 2 Way, Mounting
10	52128636AC	1							TUBE, Brake, Union Block/HCU to Rear Brake Hose
11	J3237672	4							GASKET, Brake Hose To CaliperMounting
12	06035832	2							BOLT, Banjo, To Caliper, Mounting
13	52128311AA	1							HOSE, BrakeLeft
14	52128304AB	1							TUBE, Brake, Union Block/HCU to Left Brake Hose
15	52128409AA	5							CLIP, Brake Line, 1 Way, Mounting
16	52128286AB	1							TUBE, Brake, Union Block/HCU to Right Brake Hose
17	52128312AA	1							HOSE, BrakeRight
-18	06505446AA	2							SCREW, Brake Hose to Wheel House, Mounting
-19	52128408AA	1							CLIP, Brake Line, 3 Way-Attaches Brake Tubes To Rail, Mounting

LIBERTY (KJ)

SERIES	LINE
P = Limited	J = LHD (4WD)
H = Sport	U = RHD (4WD)
M = Renegade	T = LHD (2WD)

BODY
74 = 4 Door (104.3 WB)

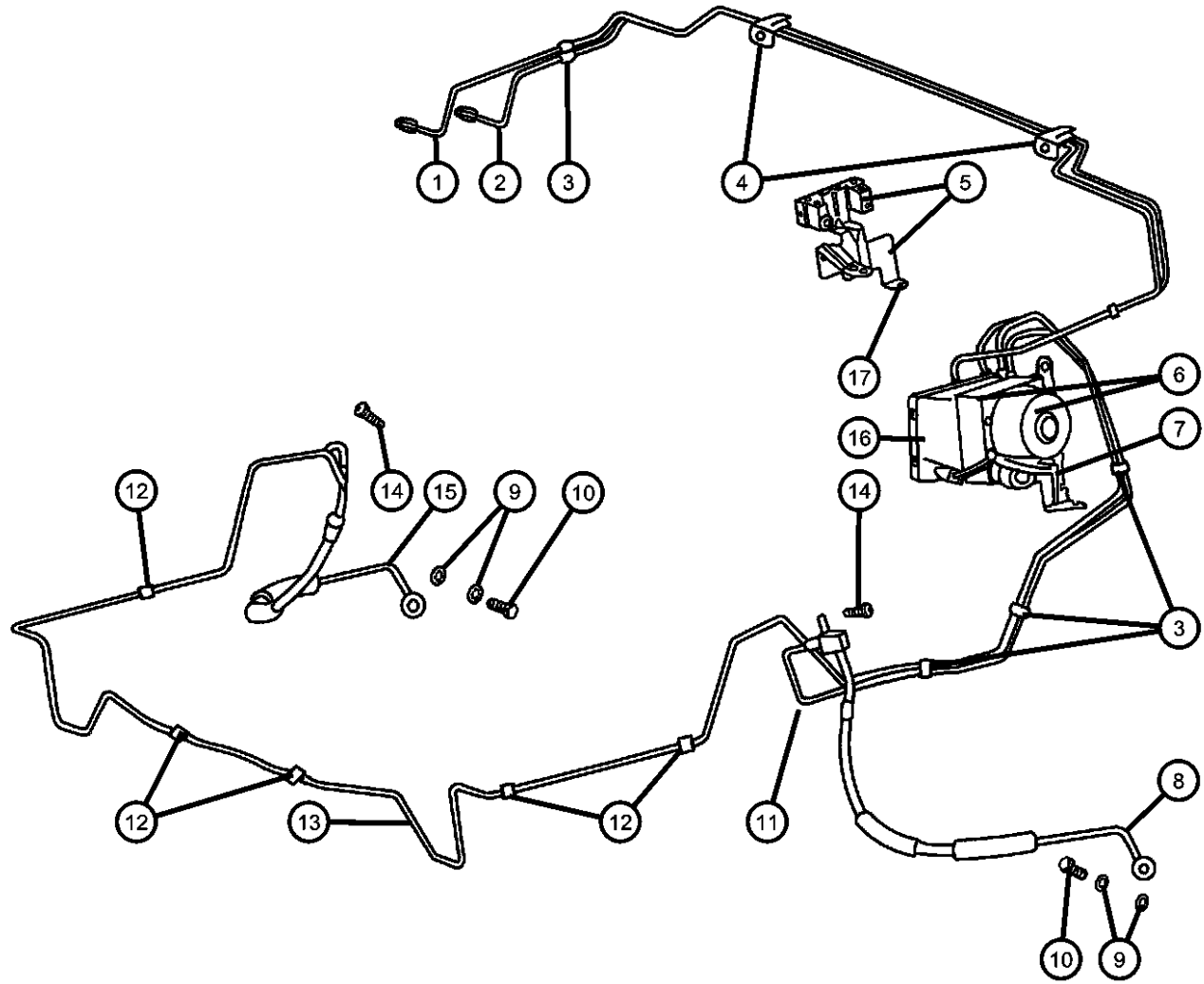
ENGINE
ED1 = Engine - 2.4L 4 Cyl DOHC 16v SMPI
EKG = Engine - 3.7L V6
ENJ = Engine -2.5L 4 Cyl 16V Turbo Diesel
ENR = Engine - 2.8L 4 Cyl Turbo Diesel
ENO = 4Cyl Turbo Diesel
EKO = All 3.7L
EDO = All 2.4L

TRANSMISSION
DDD = Transmission - 5-Speed HD Manual
DDK = Transmission - 5-Speed HD Manual
DG4 = Transmission-Multi-Speed Auto, 45RFE
DG6 = Transmission-4-Spd. Automatic, 42RLE
DGQ = Transmission-5-Spd Automatic 5-45RFE
DBB = All Manual Transmissions
DG0 = All Automatic Transmissions

AR = use ase required - = Non illustrated part

2004 KJ

Brake Lines,Front,RHD
Figure 5-520



ITEM	PART NUMBER	QTY	LINE	SERIES	BODY	ENGINE	TRANS	TRIM	DESCRIPTION
1	52128300AB	1	U						TUBE, Brake, Master Cylinder to Union Block/HCU, Secondary
2	52128297AC	1	U						TUBE, Brake, Master Cylinder to Union Block/HCU, Primary
3	52008940	2	U						CLIP, Brake Line, 2 Way
4	52128405AB	2	U						CLIP, Brake Line, 4 Way
5	52128676AA	1							BLOCK, Brake Line Union, [BRE]
6	05083083AA	1							CONTROL UNIT, Anti-Lock Brake, [BRY]
7	05066569AA	1							BRACKET, Hydraulic Control Unit, [BRY], Mounting
8	52128311AA	1							HOSE, BrakeLeft
9	06035886	4							GASKET, Brake Hose To CaliperMounting
10	06035832	2							BOLT, Banjo, To Caliper, Mounting
11	52128304AB	1							TUBE, Brake, Union Block/HCU to Brake Hose, Left
12	52008940	3							CLIP, Brake Line, 2 Way, Mounting
13	52128286AB	1							TUBE, Brake, Union Block/HCU to Brake Hose, Right
14	52128286AB	1							SCREW, Pan Head, M6x1.00x16.00, (NOT SERVICED)
15	52128312AA	1							HOSE, BrakeRight
16	05083084AA	1							MODULE, Anti-lock Brakes, [BRY]
17	06100048	2							NUT, Hex, M6x1.00
-18	52128636AC	1							TUBE, Brake, Union Block/HCU to Brake Hose, Rear

LIBERTY (KJ)

SERIES LINE
P = Limited J = LHD (4WD)
H = Sport U = RHD (4WD)
M = Renegade T = LHD (2WD)

BODY
74 = 4 Door (104.3 WB)

ENGINE TRANSMISSION
ED1 = Engine - 2.4L 4 Cyl DOHC 16v SMPI
EKG = Engine - 3.7L V6
ENJ = Engine -2.5L 4 Cyl 16v Turbo Diesel
ENR = Engine - 2.8L 4 Cyl Turbo Diesel
ENO = 4Cyl Turbo Diesel
EKO = All 3.7L
EDO = All 2.4L
DDD = Transmission - 5-Speed HD Manual
DDK = Transmission - 5-Speed HD Manual
DG4 = Transmission-Multi-Speed Auto, 45RFE
DG6 = Transmission-4-Spd. Automatic, 42RLE
DGQ = Transmission-5-Spd Automatic 5-45RFE
DBB = All Manual Transmissions
DG0 = All Automatic Transmissions

AR = use ase required - = Non illustrated part

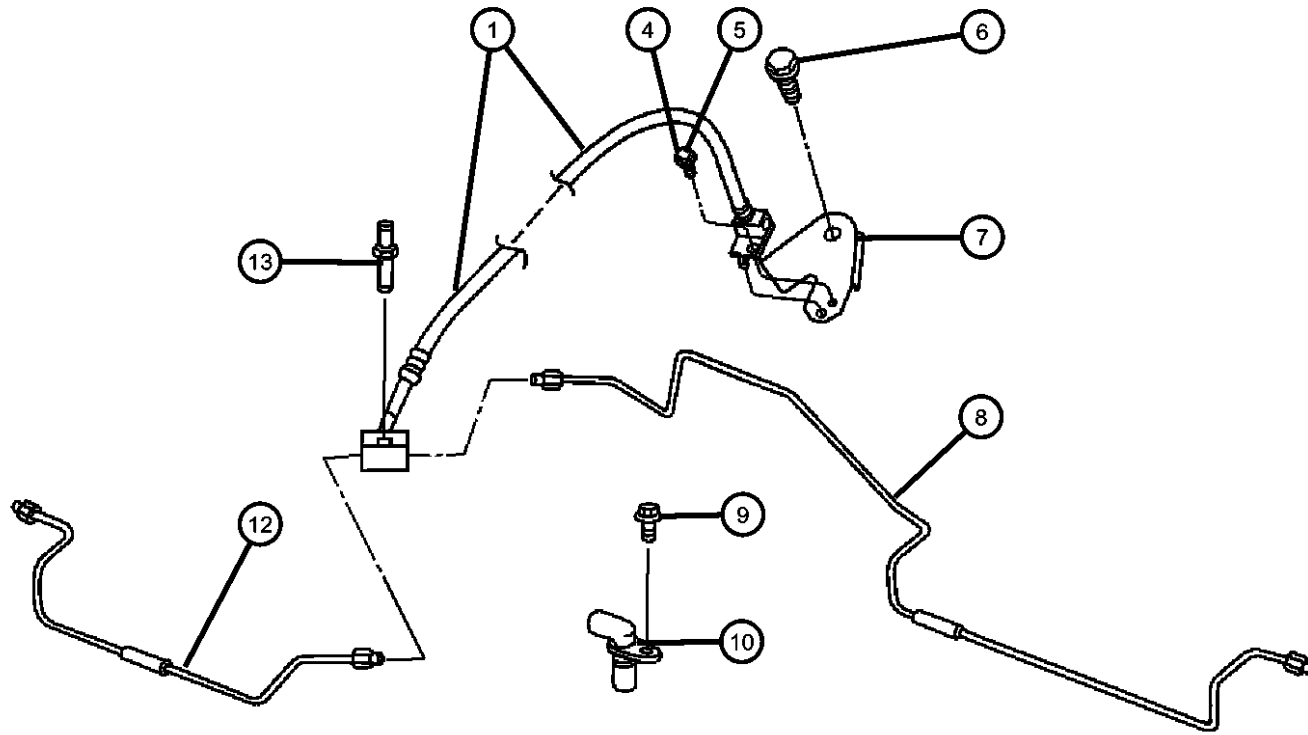
2004 KJ

**Brake Lines,Rear
Figure 5-530**

ITEM	PART NUMBER	QTY	LINE	SERIES	BODY	ENGINE	TRANS	TRIM	DESCRIPTION
------	-------------	-----	------	--------	------	--------	-------	------	-------------

Note: Sales Codes;
[EN0]=Engines - All 4/5 Cylinder Turbo Diesel

1	52128310AA	1							HOSE, Brake, With Union and Tee
-2	06035832	2							BOLT, Banjo, To Caliper, Mounting
-3	J3237672	4							GASKET, Brake Hose To Caliper
4	06503900	1							SCREW AND WASHER, Hex Head, M12x1.75x40, [EN0] Brake Hose Bracker to Left Rail, Mounting
5	06503343	1							SCREW, Brake Hose Bracker to Left Rail, Mounting
6	06503343	1							SCREW, Hex Flange Head, M6x1.00x15.00, Hose to Frame Mounting, (NOT SERVICED)
7	52128480AC	1							BRACKET, Brake Hose, [EN0]
8	52128514AC	1							HOSE, BrakeRight
9	06501979	1							SCREW AND WASHER, Hex Head, M6x1x17, Wheel Speed Sensor, Mounting
10	56041393AA	1							SENSOR, Wheel Speed
-11	05086373AA	1							O RING, SensorMounting
12	52128515AB	1							HOSE, BrakeLeft
13	04137696AB	1							BOLT, Axle Vent



LIBERTY (KJ)

SERIES	LINE
P = Limited	J = LHD (4WD)
H = Sport	U = RHD (4WD)
M = Renegade	T = LHD (2WD)

BODY
74 = 4 Door (104.3 WB)

ENGINE
ED1 = Engine - 2.4L 4 Cyl DOHC 16v SMPI
EKG = Engine - 3.7L V6
ENJ = Engine -2.5L 4 Cyl 16V Turbo Diesel
ENR = Engine - 2.8L 4 Cyl Turbo Diesel
EN0 = 4Cyl Turbo Diesel
EK0 = All 3.7L
ED0 = All 2.4L

TRANSMISSION
DDD = Transmission - 5-Speed HD Manual
DDK = Transmission - 5-Speed HD Manual
DG4 = Transmission-Multi-Speed Auto, 45RFE
DG6 = Transmission-4-Spd. Automatic, 42RLE
DGQ = Transmission-5-Spd Automatic 5-45RFE
DBB = All Manual Transmissions
DG0 = All Automatic Transmissions

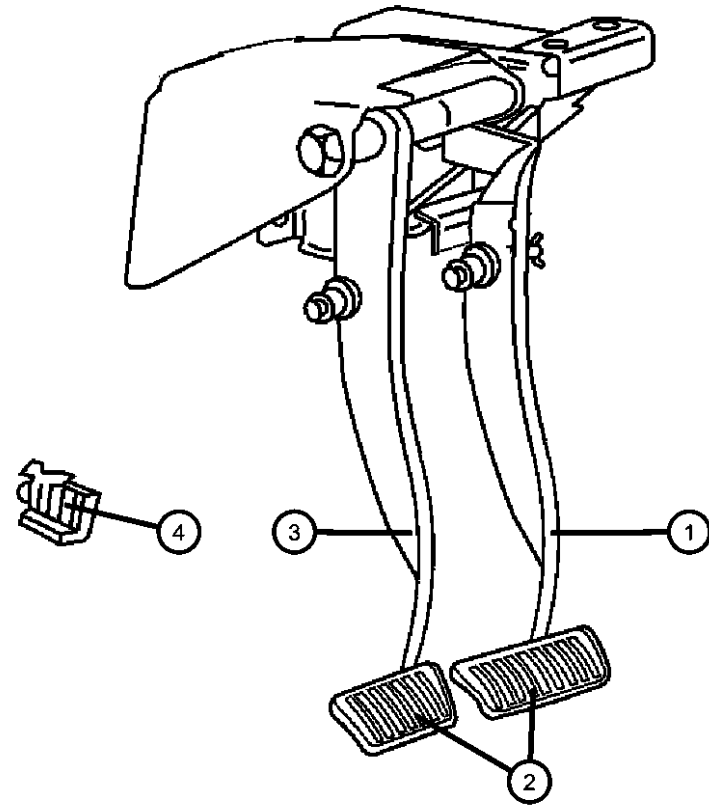
AR = use ase required - = Non illustrated part

2004 KJ

**Pedals, Brake and Clutch
Figure 5-610**

ITEM	PART NUMBER	QTY	LINE	SERIES	BODY	ENGINE	TRANS	TRIM	DESCRIPTION
------	-------------	-----	------	--------	------	--------	-------	------	-------------

Note: Sales Codes;
DBB=Transmissions - All Manual
DG0=Transmissions - All Automatic



1									PEDAL, Brake
	52128345AC	1	U						[DG0]
	52128346AD	1	J, T						[DG0]
	52128347AD	1	J, T						[DBB]
	52128348AC	1	U						[DBB]
2									PAD, Pedal
	04779027	1	U						[DG0]
		1	J, T						[DG0]
	52009562	1	J, T						[DBB]
		1	U						[DBB]
3									PEDAL, Clutch
	52128396AC	1	J, T						[DBB]
	52128397AC	1	U						[DBB]
4	06035334	1							CLIP, Brake Push Rod
-5									TAPE, Anti-Squeak
	05019054AA	1	U						
		1	J, T						
-6	06506232AA	2							NUT, Screws on the end of the Pedal Pivot Shaft

LIBERTY (KJ)

SERIES	LINE
P = Limited	J = LHD (4WD)
H = Sport	U = RHD (4WD)
M = Renegade	T = LHD (2WD)

BODY
74 = 4 Door (104.3 WB)

ENGINE
ED1 = Engine - 2.4L 4 Cyl DOHC 16v SMPI
EKG = Engine - 3.7L V6
ENJ = Engine -2.5L 4 Cyl 16V Turbo Diesel
ENR = Engine - 2.8L 4 Cyl Turbo Diesel
ENO = 4Cyl Turbo Diesel
EKO = All 3.7L
EDO = All 2.4L

TRANSMISSION
DDD = Transmission - 5-Speed HD Manual
DDK = Transmission - 5-Speed HD Manual
DG4 = Transmission-Multi-Speed Auto, 45RFE
DG6 = Transmission-4-Spd. Automatic, 42RLE
DGQ = Transmission-5-Spd Automatic 5-45RFE
DBB = All Manual Transmissions
DG0 = All Automatic Transmissions

AR = use ase required - = Non illustrated part

2004 KJ

Group - 6

Clutch

Group - 6 Clutch

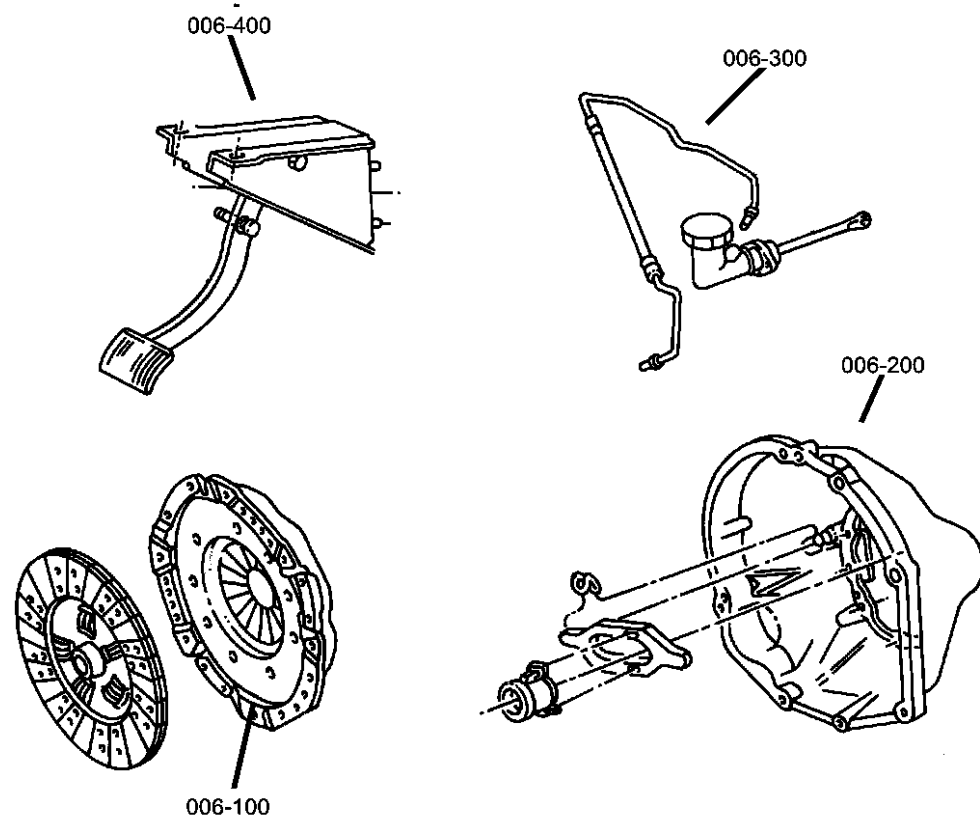


Illustration Title

Group-Fig. No.

Clutch

Clutch Fig. 6 - 110

Clutch Housing

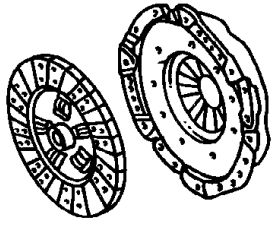
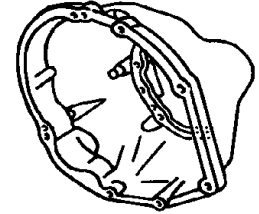
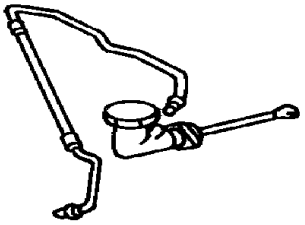
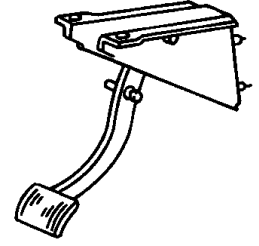
Clutch Housing Fig. 6 - 210

Clutch Controls

Clutch Control Fig. 6 - 320

Clutch Pedals

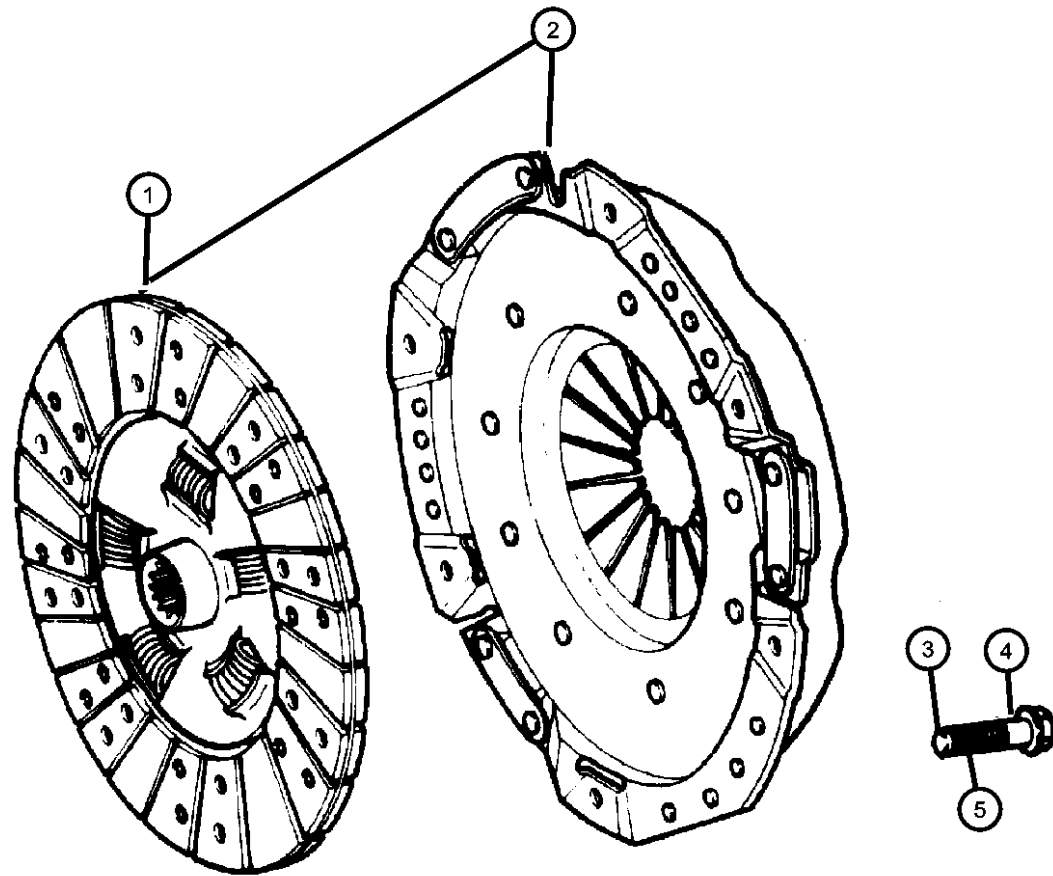
Pedal Clutch Fig. 6 - 420

<p>006-100 Clutch</p> 	<p>006-200 Clutch Housing</p> 	<p>006-300 Clutch Controls</p> 	<p>006-400 Clutch Pedals</p> 
---	--	--	---

Clutch
Figure 6-110

ITEM	PART NUMBER	QTY	LINE	SERIES	BODY	ENGINE	TRANS	TRIM	DESCRIPTION
------	-------------	-----	------	--------	------	--------	-------	------	-------------

NOTE: Sales Codes
 [DBB]= All Manual Transmissions
 [EKG]= Magnum 3.7L V6
 [ED0] = All 2.2,2.5,2.4L 4 Cylinder Gas Engines
 [EN0]= All 2.5L 4 Cylinder Turbo Diesel Engines



1									DISC, Clutch
	52104303AB	1				EN0	DBB		
	52104315AC	1				EKG	DBB		
	52104581AC	1				ED0	DBB		
2									CLUTCH PACKAGE
	05066191AA	1				EN0	DBB		
	05066375AC	1				EKG	DBB		
	05072990AD	1				ED0	DBB		
3	06501474	6				ED0	DBB		BOLT, Hex Head, M8x1.25x16
4	06035626	6				EKG	DBB		BOLT, Hex Head, .375-16x.84
5	05072664AA	8				EN0	DBB		BOLT

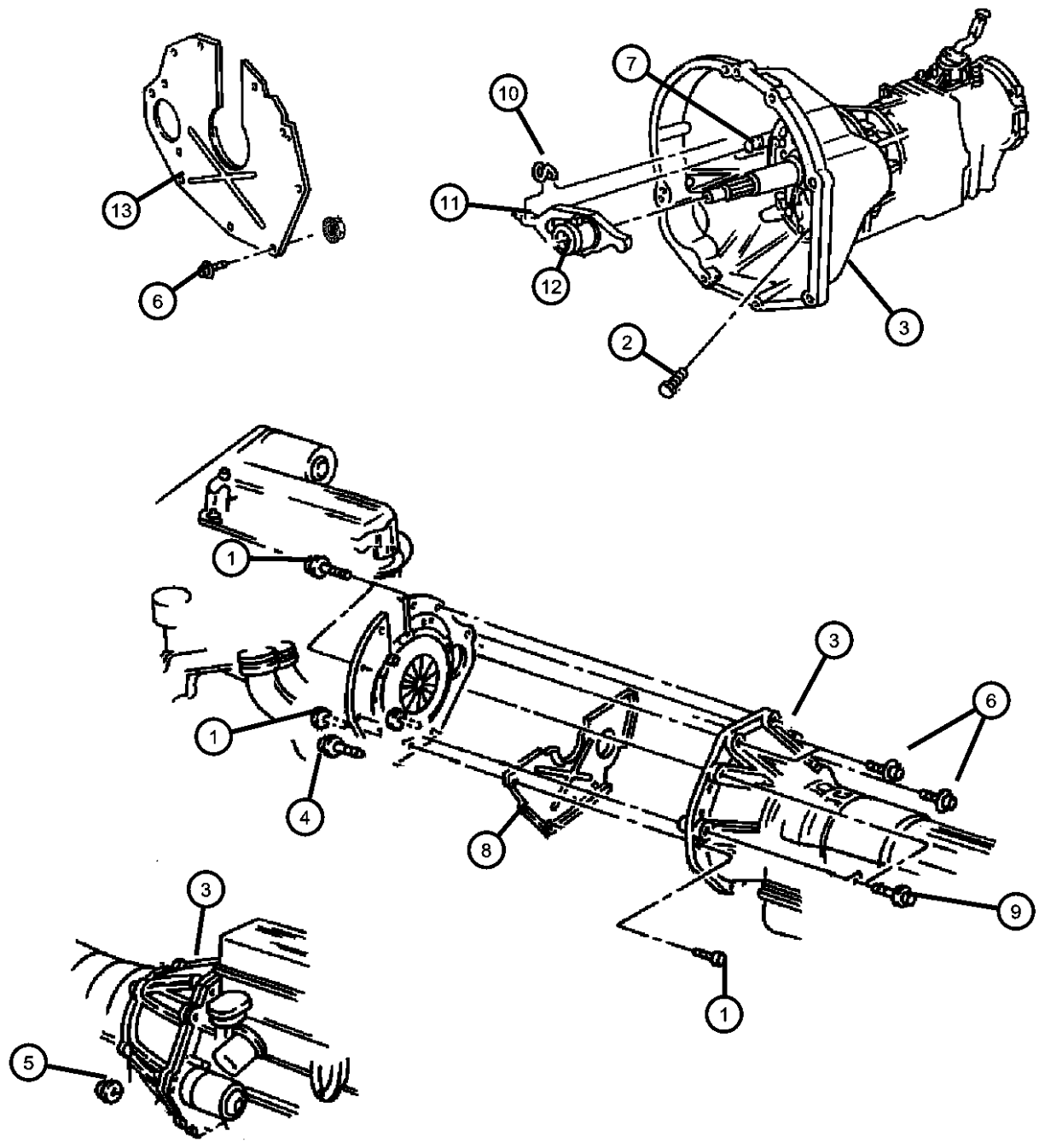
LIBERTY (KJ)

SERIES	LINE	BODY	ENGINE	TRANSMISSION
P = Limited	J = LHD (4WD)	74 = 4 Door (104.3 WB)	ED1 = Engine - 2.4L 4 Cyl DOHC 16v SMPI	DDD = Transmission - 5-Speed HD Manual
H = Sport	U = RHD (4WD)		EKG = Engine - 3.7L V6	DDK = Transmission - 5-Speed HD Manual
M = Renegade	T = LHD (2WD)		ENJ = Engine -2.5L 4 Cyl 16V Turbo Diesel	DG4 = Transmission-Multi-Speed Auto, 45RFE
			ENR = Engine - 2.8L 4 Cyl Turbo Diesel	DG6 = Transmission-4-Spd. Automatic, 42RLE
			EN0 = 4Cyl Turbo Diesel	DGQ = Transmission-5-Spd Automatic 5-45RFE
			EK0 = All 3.7L	DBB = All Manual Transmissions
			ED0 = All 2.4L	DG0 = All Automatic Transmissions

AR = use ase required - = Non illustrated part

2004 KJ

Clutch Housing Figure 6-210

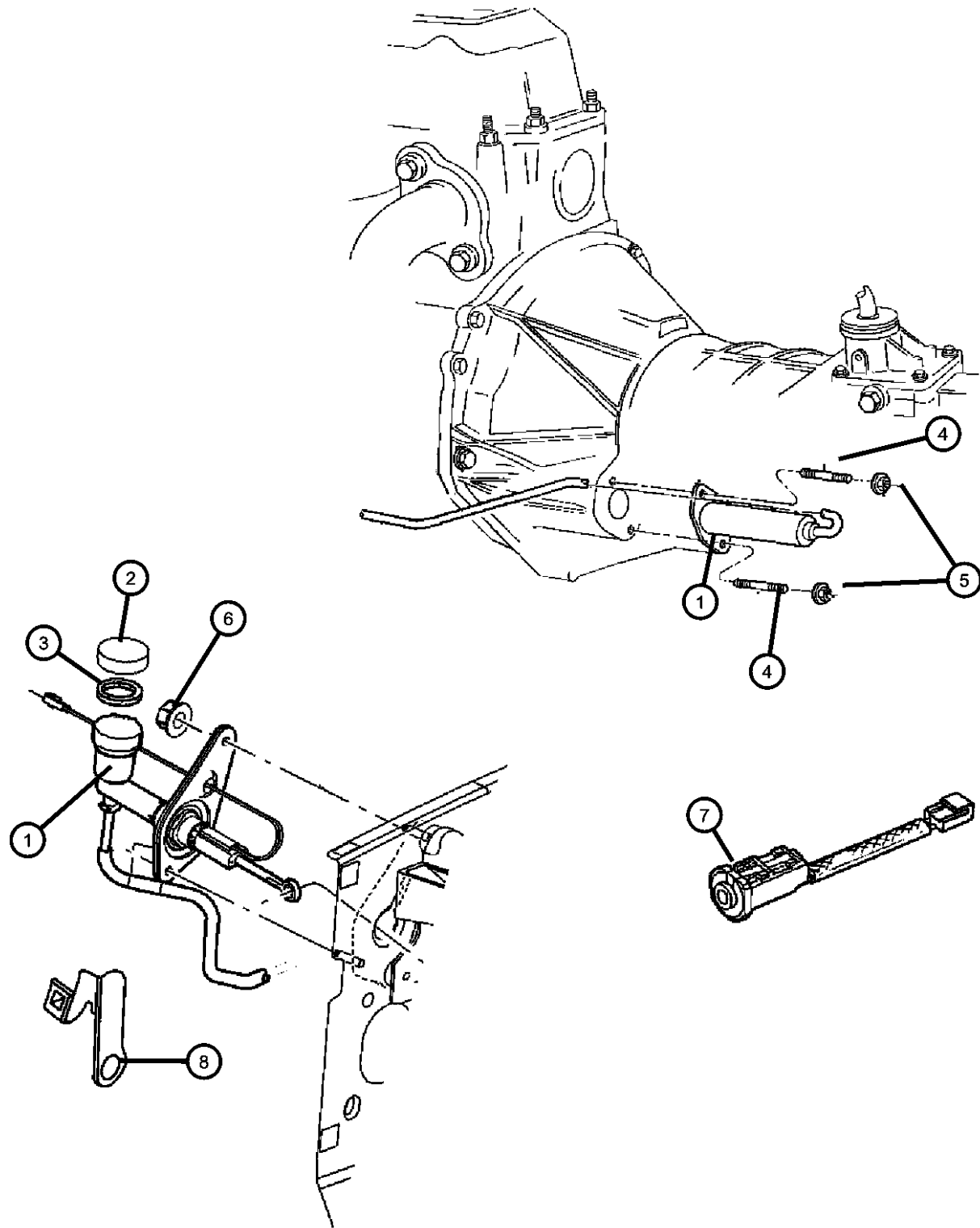


ITEM	PART NUMBER	QTY	LINE	SERIES	BODY	ENGINE	TRANS	TRIM	DESCRIPTION
NOTE: Sales Codes [DBB] = All Manual Transmissions [ED0]= All 2.2,2.5,2.4L 4 Cylinder Gas Engines [EKG] = Magnum 3.7L V6 [EK0]= All 3.7L 6 Cylinder Gas Engines [EN0]= All 2.5L 4 Cylinder Turbo Diesel Engines									
1									SCREW, Hex Head, .375-16x1.5
	06022266	4				EK0	DBB		
		5				EN0	DBB		
2	06503299	9					DBB		BOLT, Hex Head
3									HOUSING, Clutch
	52104292AA	1				ED0	DBB		
	52104294AB	1				EKG, EN0	DBB		
4	00154877AA	1				EN0	DBB		SCREW AND WASHER, Hex Head
5	06036385AA	2				EK0	DBB		SCREW AND WASHER, Hex Head, .437-14x2.00
6	06501742	4				ED0	DBB		SCREW, Hex Head, M12x1.75x50
7									PIVOT, Clutch Release
	52087542	1				ED0	DBB		
		1				EKG, EN0	DBB		
8									COVER, Engine
	52104339AC	1				ED0	DBB		
	53021282AA	1				EK0			
9									SCREW, Hex Head, .375-16x1.5
	06022266	4				EK0	DBB		
		5				EN0	DBB		
10	04338855	1					DBB		SPRING, Clutch Release
11	52107555	1					DBB		FORK, Clutch Release
12	53008342AB	1					DBB		BEARING, Clutch Release
13									SPACER
	52104293AB	1				ED0	DBB		
	52104336AA	1				EKG	DBB		

LIBERTY (KJ)				
SERIES	LINE	BODY	ENGINE	TRANSMISSION
P = Limited	J = LHD (4WD)	74 = 4 Door (104.3 WB)	ED1 = Engine - 2.4L 4 Cyl DOHC 16v SMPI	DDD = Transmission - 5-Speed HD Manual
H = Sport	U = RHD (4WD)		EKG = Engine - 3.7L V6	DDK = Transmission - 5-Speed HD Manual
M = Renegade	T = LHD (2WD)		ENJ = Engine -2.5L 4 Cyl 16v Turbo Diesel	DG4 = Transmission-Multi-Speed Auto, 45RFE
			ENR = Engine - 2.8L 4 Cyl Turbo Diesel	DG6 = Transmission-4-Spd. Automatic, 42RLE
			EN0 = 4Cyl Turbo Diesel	DGQ = Transmission-5-Spd Automatic 5-45RFE
			EK0 = All 3.7L	DBB = All Manual Transmissions
			ED0 = All 2.4L	DG0 = All Automatic Transmissions

AR = use ase required - = Non illustrated part

Clutch Control
Figure 6-320



ITEM	PART NUMBER	QTY	LINE	SERIES	BODY	ENGINE	TRANS	TRIM	DESCRIPTION
NOTE: Sales Codes [DBB] = All Manual Transmissions [DG0] = All Automatic Transmissions [ED0] = All 2.2,2.5,2.4,L 4 Cylinder Gas Engines [EKG] = Magnum 3.7L V6 Engine [EN0] = All 4/5 Turbo Diesel Engines									
1									HYDRAULIC CONTROL, Clutch Actuator
	52104298AB	1	U			ED0, EKG	DBB		Includes: Cap, Interlock Switch, Diaphragm & Bushing
	52104299AD	1	U			EN0	DBB		Includes: Cap, Interlock Switch, Diaphragm & Bushing
	52109746AB	1	J, T			ED0, EK0	DBB		Includes: Cap, Interlock Switch, Diaphragm & Bushing
		1	J, T			EN0	DBB		Includes: Cap, Interlock Switch, Diaphragm & Bushing
2									CAP, Clutch Reservoir
	04883544AA	1	U			ED0, EKG	DBB		
		1	U			EN0	DBB		
		1	J, T			ED0, EK0	DBB		
		1	J, T			EN0	DBB		
3									DIAPHRAGM, Clutch Reservoir
	05015607AA	1	U			ED0, EKG	DBB		
		1	U			EN0	DBB		
		1	J, T			ED0, EK0	DBB		
		1	J, T			EN0	DBB		
4	06036379AA	2					DBB		STUD, .312-18x2.00
5	00152472	2	J, U				DBB		NUT, Hex Flange Lock, .312-18
6	06504175	2					DBB		NUT AND WASHER, Hex, M8x1.25
7									SWITCH, Clutch Starter Interlock
	56010330AA	1	U			ED0, EKG	DBB		
		1	U			EN0	DBB		
		1	J, T			ED0, EK0	DBB		
		1	J, T			EN0	DBB		
8	52104353AC	1				ED0	DBB		BRACKET

LIBERTY (KJ)

SERIES LINE
P = Limited J = LHD (4WD)
H = Sport U = RHD (4WD)
M = Renegade T = LHD (2WD)

BODY
74 = 4 Door (104.3 WB)

ENGINE
ED1 = Engine - 2.4L 4 Cyl
DOHC 16v SMPI
EKG = Engine - 3.7L V6
ENJ = Engine -2.5L 4 Cyl 16v
Turbo Diesel
ENR = Engine - 2.8L 4 Cyl
Turbo Diesel
EN0 = 4Cyl Turbo Diesel
ED0 = All 3.7L
ED0 = All 2.4L

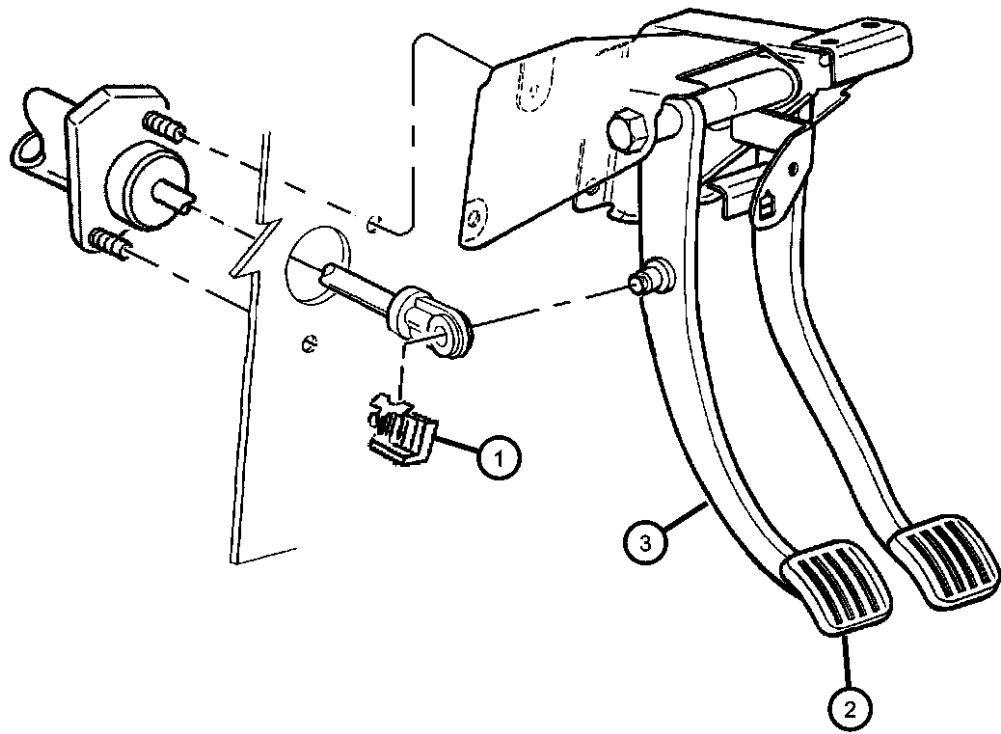
TRANSMISSION
DDD = Transmission - 5-Speed HD
Manual
DDK = Transmission - 5-Speed HD
Manual
DG4 = Transmission-Multi-Speed
Auto, 45RFE
DG6 = Transmission-4-Spd.
Automatic, 42RLE
DGQ = Transmission-5-Spd Automatic
5-45RFE
DBB = All Manual Transmissions
DG0 = All Automatic Transmissions

AR = use ase required - = Non illustrated part

2004 KJ

Pedal Clutch
Figure 6-420

ITEM	PART NUMBER	QTY	LINE	SERIES	BODY	ENGINE	TRANS	TRIM	DESCRIPTION
Notes; Sales Codes [DBB] = All Manual Transmissions									
1	04643448	1	J, T			ED0, EK0	DBB		BUSHING, Hydraulic Clutch Actuator
2	52009562	1	J, T				DBB		PAD, Pedal
3									PEDAL, Clutch
	52128396AC	1	J, T				DBB		
	52128397AC	1	U				DBB		



LIBERTY (KJ)

SERIES LINE
P = Limited J = LHD (4WD)
H = Sport U = RHD (4WD)
M = Renegade T = LHD (2WD)

BODY
74 = 4 Door (104.3 WB)

ENGINE
ED1 = Engine - 2.4L 4 Cyl DOHC 16v SMPI
EKG = Engine - 3.7L V6
ENJ = Engine -2.5L 4 Cyl 16V Turbo Diesel
ENR = Engine - 2.8L 4 Cyl Turbo Diesel
ENO = 4Cyl Turbo Diesel
EK0 = All 3.7L
ED0 = All 2.4L

TRANSMISSION
DDD = Transmission - 5-Speed HD Manual
DDK = Transmission - 5-Speed HD Manual
DG4 = Transmission-Multi-Speed Auto, 45RFE
DG6 = Transmission-4-Spd. Automatic, 42RLE
DGQ = Transmission-5-Spd Automatic 5-45RFE
DBB = All Manual Transmissions
DG0 = All Automatic Transmissions

AR = use ase required - = Non illustrated part

2004 KJ

Group - 7

Cooling

Group - 7 Cooling

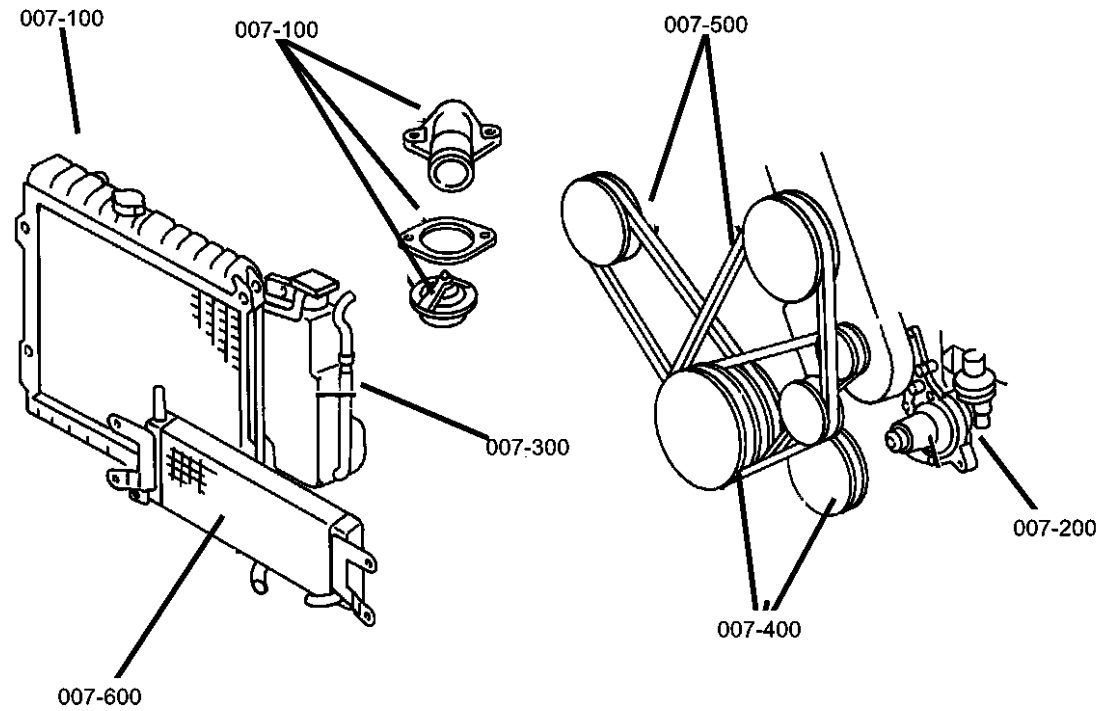


Illustration Title

Group-Fig. No.

Radiator and Related Parts

Radiator and Related Parts, 2.4L Engine	Fig. 7 - 110
Radiator and Related Parts, 3.7L Engine	Fig. 7 - 120
Radiator and Related Parts, 2.5,2.8L Diesel Engine	Fig. 7 - 130

Water Pump and Related Parts

Water Pump and Related Parts, 2.4L Engine	Fig. 7 - 210
Water Pump and Related Parts, 3.7L Engine	Fig. 7 - 220
Water Pump and Related Parts, 2.5,2.8L Diesel Engine	Fig. 7 - 230

Tank, Coolant Engine

Coolant Tank, 2.4L Engine	Fig. 7 - 305
Coolant Tank, 3.7L Engine	Fig. 7 - 310
Coolant Degasser Tank, 2.5,2.8L Diesel Engine	Fig. 7 - 320

Pulleys and Related Parts

Drive Pulleys, 2.4L Engine	Fig. 7 - 410
Drive Pulleys, 3.7L Engine	Fig. 7 - 420
Drive Pulleys, 2.5,2.8L Diesel Engine	Fig. 7 - 430

Drive Belts

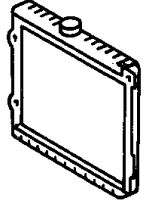
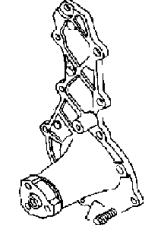
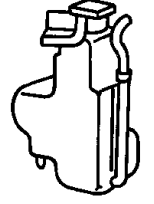
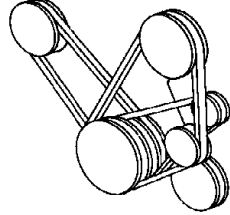
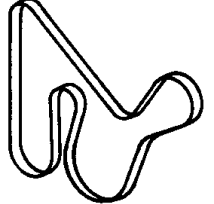
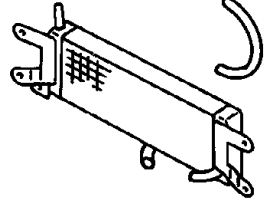
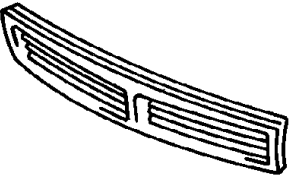
Drive Belts, 2.4L Engine	Fig. 7 - 510
Drive Belts, 3.7L Engine	Fig. 7 - 520
Drive Belts, 2.5,2.8L Diesel Engine	Fig. 7 - 530

Lines, Transmission Oil Cooler

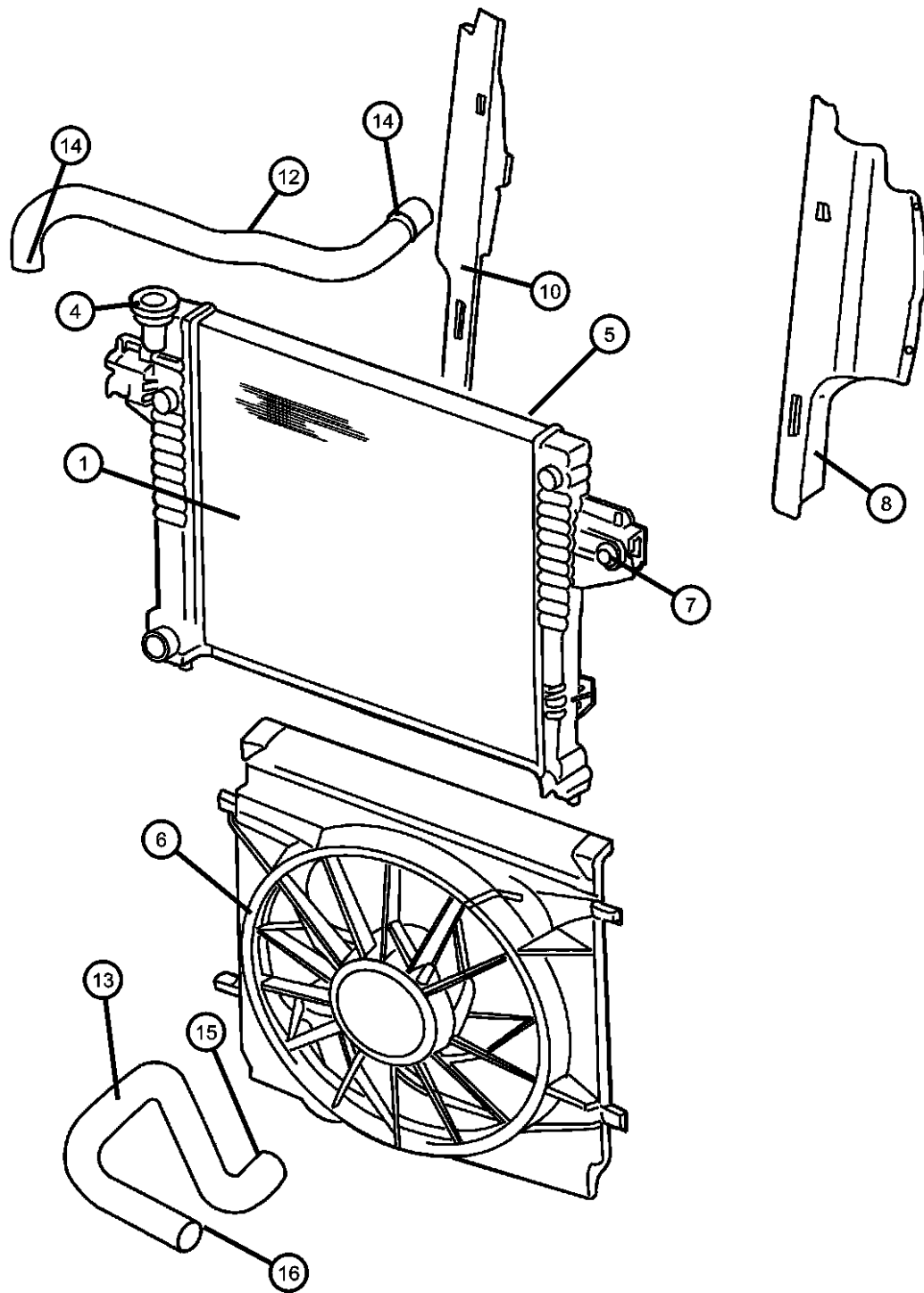
Oil Cooler Lines	Fig. 7 - 610
------------------------	--------------

Grilles

Grille and Related Parts	Fig. 7 - 710
--------------------------------	--------------

<p>007-100 Radiator and Related Parts</p> 	<p>007-200 Water Pump and Related Parts</p> 	<p>007-300 Tank, Coolant Engine</p> 	<p>007-400 Pulleys and Related Parts</p> 
<p>007-500 Drive Belts</p> 	<p>007-600 Lines, Transmission Oil Cooler</p> 	<p>007-700 Grilles</p> 	

**Radiator and Related Parts, 2.4L Engine
Figure 7-110**



ITEM	PART NUMBER	QTY	LINE	SERIES	BODY	ENGINE	TRANS	TRIM	DESCRIPTION
Note; Sales Codes [ED0]= All 2.2L, 2.5L, 2.4L, 4 Cylinder Gas Engines [DBB]= Manual Trans.									
1	52079731AC 05066386AA	1				ED0	DBB		RADIATOR, Engine Cooling Without Air Conditioning Mopar Coolant 5 Year/100,000 Mile Formula 1 Gallon
	52080123AC 05066386AA	1				ED0	DBB		With Air Conditioning Mopar Coolant 5 Year/100,000 Mile Formula 1 Gallon
-2	55176756AD	1							SUPPORT, Radiator
-3	55176763AE	1							CROSSMEMBER, Radiator
4	52079799AA 55116901AA	1				ED0	DBB		CAP, Radiator Without Air Conditioning With Air Conditioning
5	52079651AA 52079666AA	2				ED0	DBB		ISOLATOR, Radiator Upper Lower
6	55037659AA	1				ED0	DBB		FAN MODULE, Radiator Cooling
7	55037659AA	1							BOLT AND CONED WASHER, Hex Head, M6x14x12.5, (NOT SERVICED)
8	52079766AD	1				ED0	DBB		SEAL, Radiator Side Air
-9	06036155AA	3				ED0	DBB		PIN, Push
10	52079767AE	1				ED0	DBB		SEAL, Radiator Side Air
-11	J4004262	4				ED0	DBB		PIN, Push, .15x.41
12	52079713AB	1				ED0			HOSE, Radiator Outlet
13	52079706AA	1				ED0			HOSE, Radiator Inlet
14	06033135	1				ED0			CLAMP
15	32002983	1				ED0			CLAMP, Hose, 32mm Black
16	06033135	1				ED0			CLAMP
-17	53010552AA	1				ED0			THERMOSTAT

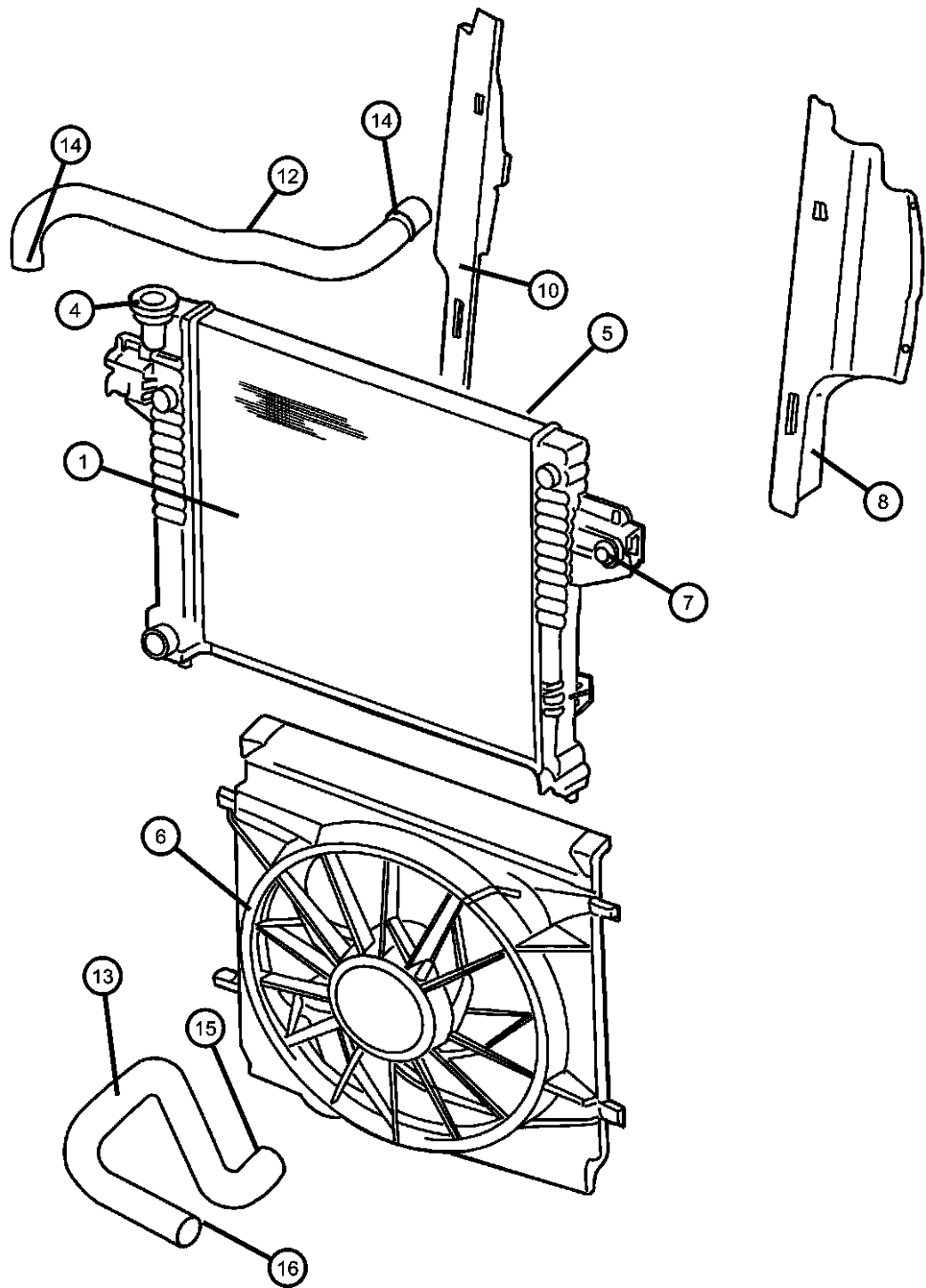
LIBERTY (KJ)

SERIES	LINE	BODY	ENGINE	TRANSMISSION
P = Limited	J = LHD (4WD)	74 = 4 Door (104.3 WB)	ED1 = Engine - 2.4L 4 Cyl DOHC 16v SMPI	DDD = Transmission - 5-Speed HD Manual
H = Sport	U = RHD (4WD)		EKG = Engine - 3.7L V6	DDK = Transmission - 5-Speed HD Manual
M = Renegade	T = LHD (2WD)		ENJ = Engine -2.5L 4 Cyl 16v Turbo Diesel	DG4 = Transmission-Multi-Speed Auto, 45RFE
			ENR = Engine - 2.8L 4 Cyl Turbo Diesel	DG6 = Transmission-4-Spd. Automatic, 42RLE
			ENO = 4Cyl Turbo Diesel	DGQ = Transmission-5-Spd Automatic 5-45RFE
			EKO = All 3.7L	DBB = All Manual Transmissions
			ED0 = All 2.4L	DG0 = All Automatic Transmissions

AR = use ase required - = Non illustrated part

2004 KJ

**Radiator and Related Parts, 2.4L Engine
Figure 7-110**



ITEM	PART NUMBER	QTY	LINE	SERIES	BODY	ENGINE	TRANS	TRIM	DESCRIPTION
-18	06503334	1				ED0			BOLT, Hex Flange Head, M8x1.25x28, Thermostat Housing attaching
-19	53010554AA	1				ED0			GASKET, Thermostat
-20	53010553AB	1				ED0			HOUSING, Thermostat
-21	04644269	1				ED0	DBB		DRAINCOCK, Radiator
-22	04781489AA	1				ED0			CONNECTOR, Water Outlet

LIBERTY (KJ)

SERIES	LINE
P = Limited	J = LHD (4WD)
H = Sport	U = RHD (4WD)
M = Renegade	T = LHD (2WD)

BODY
74 = 4 Door (104.3 WB)

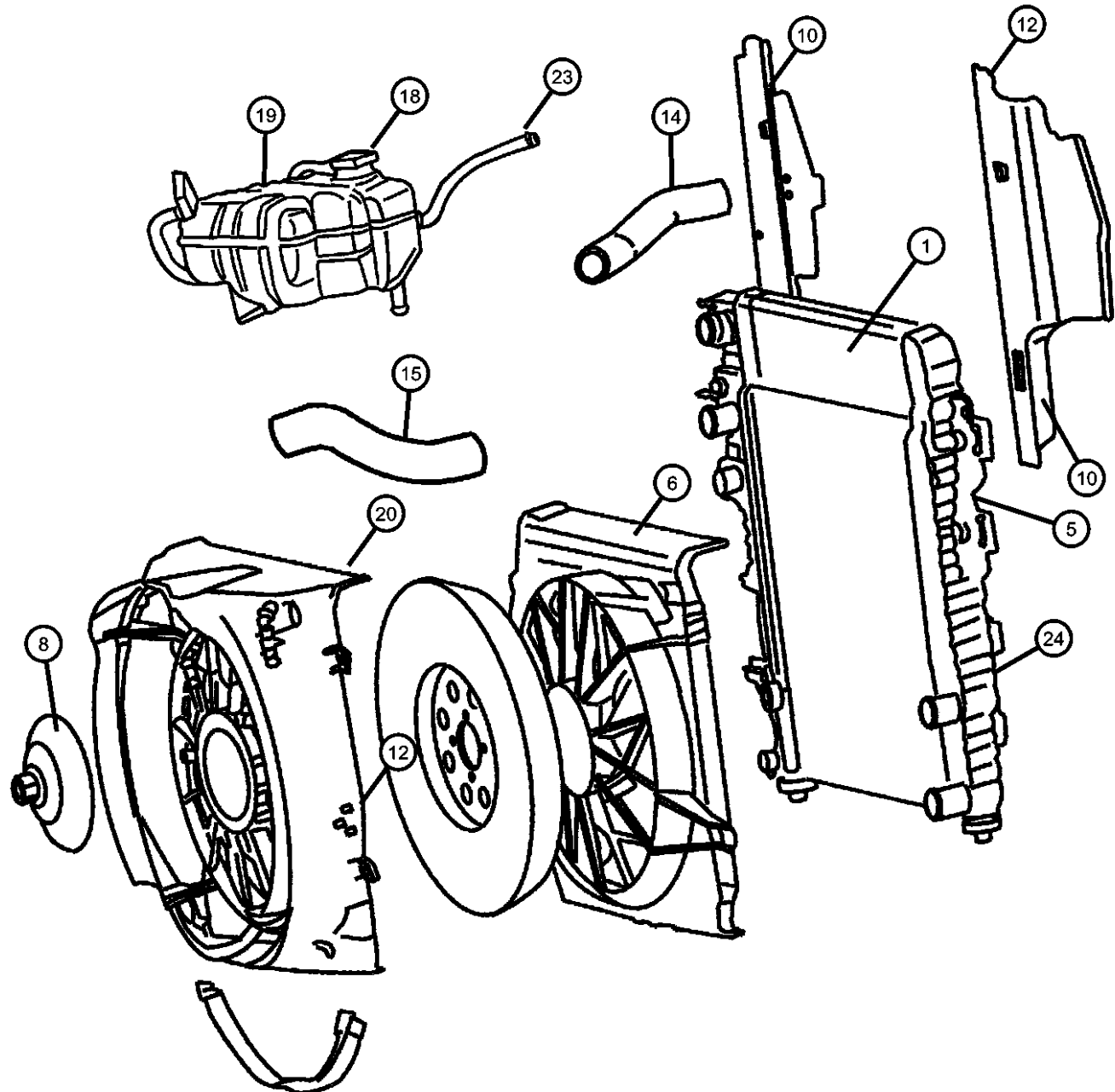
ENGINE
ED1 = Engine - 2.4L 4 Cyl DOHC 16v SMPI
EKG = Engine - 3.7L V6
ENJ = Engine -2.5L 4 Cyl 16V Turbo Diesel
ENR = Engine - 2.8L 4 Cyl Turbo Diesel
ENO = 4Cyl Turbo Diesel
EKO = All 3.7L
ED0 = All 2.4L

TRANSMISSION
DDD = Transmission - 5-Speed HD Manual
DDK = Transmission - 5-Speed HD Manual
DG4 = Transmission-Multi-Speed Auto, 45RFE
DG6 = Transmission-4-Spd. Automatic, 42RLE
DGQ = Transmission-5-Spd Automatic 5-45RFE
DBB = All Manual Transmissions
DG0 = All Automatic Transmissions

AR = use ase required - = Non illustrated part

2004 KJ

**Radiator and Related Parts, 3.7L Engine
Figure 7-120**



ITEM	PART NUMBER	QTY	LINE	SERIES	BODY	ENGINE	TRANS	TRIM	DESCRIPTION
------	-------------	-----	------	--------	------	--------	-------	------	-------------

Note; Sales Codes
 [EK0]= All 3.7L, 6 Cylinder Gas Engines
 [DBB]= Manual Trans
 [DG0]= Auto Trans
 [HAA]=Air Conditioning
 [NMC]=Heavy Duty Engine Cooling

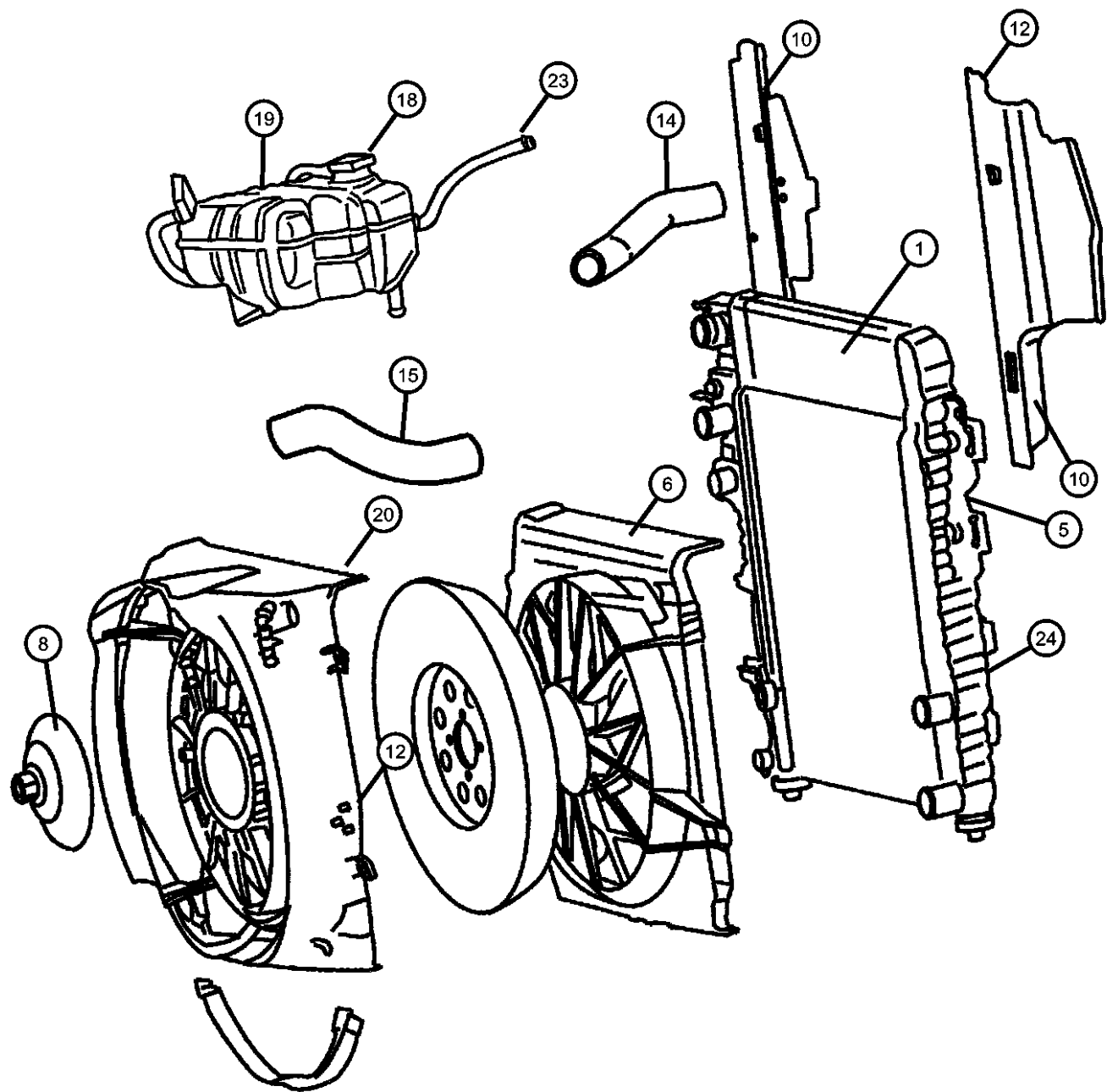
1	52079729AC	1				EK0	DBB		RADIATOR, Engine Cooling
	05066386AA								[HC0] Mopar Coolant 5 Year/100,000 Mile Formula 1 Gallon
	05066386AA	1				EK0	DG0		[HC0] Mopar Coolant 5 Year/100,000 Mile Formula 1 Gallon
	52080120AC	1				EK0	DG0		[HAA] Mopar Coolant 5 Year/100,000 Mile Formula 1 Gallon
	05066386AA								[HAA] Mopar Coolant 5 Year/100,000 Mile Formula 1 Gallon
	05066386AA	1				EK0	DBB		[HAA] Mopar Coolant 5 Year/100,000 Mile Formula 1 Gallon
-2	55176756AD	1							SUPPORT, Radiator, Lower
-3	55176763AE	1							CROSSMEMBER, Radiator
-4									ISOLATOR, Radiator
	52079651AA	2				EK0	DG0		Upper
	52079666AA	2				EN0	DG0		Lower
5									CONDENSER, Air Conditioning
	55037465AB	1				EK0	DG0		
		1				EK0	DBB		
6									SHROUD, Fan, Electric Fan Assy
	55037692AA	1				EK0	DBB		Without [NMC]
		1				EK0	DG0		Without [NMC]
-7	55037691AA	1				EK0	DBB		FAN, Cooling, Electric, [HAA+NMC]
8	52079718AD	1				EK0			DRIVE, Fan, Viscous
-9	52079654AD	1				EK0			FAN, Cooling, Mechanical
10									SEAL, Radiator Side Air

LIBERTY (KJ)				
SERIES	LINE	BODY	ENGINE	TRANSMISSION
P = Limited	J = LHD (4WD)	74 = 4 Door (104.3 WB)	ED1 = Engine - 2.4L 4 Cyl DOHC 16v SMPI	DDD = Transmission - 5-Speed HD Manual
H = Sport	U = RHD (4WD)		EKG = Engine - 3.7L V6	DDK = Transmission - 5-Speed HD Manual
M = Renegade	T = LHD (2WD)		ENJ = Engine -2.5L 4 Cyl 16V Turbo Diesel	DG4 = Transmission-Multi-Speed Auto, 45RFE
			ENR = Engine - 2.8L 4 Cyl Turbo Diesel	DG6 = Transmission-4-Spd. Automatic, 42RLE
			EN0 = 4Cyl Turbo Diesel	DGQ = Transmission-5-Spd Automatic 5-45RFE
			EK0 = All 3.7L	DBB = All Manual Transmissions
			ED0 = All 2.4L	DG0 = All Automatic Transmissions

AR = use ase required - = Non illustrated part

Radiator and Related Parts, 3.7L Engine

Figure 7-120



ITEM	PART NUMBER	QTY	LINE	SERIES	BODY	ENGINE	TRANS	TRIM	DESCRIPTION
	52079766AD	1				EK0	DG0		
		1				EK0	DBB		
-11	06036155AA	6							PIN, Push
12									SEAL, Radiator Side Air
	52079767AE	1				EK0	DG0		
		1				EK0	DBB		
-13									PIN, Push, .15x.41
	J4004262	4				EK0	DBB		
		4				EK0	DG0		
14	52079703AA	1				EK0			HOSE, Radiator Inlet
15	52079712AB	1				EK0			HOSE, Radiator Outlet
-16	06032277	1				EK0			CLAMP, Radiator, 55mm
-17	52029090AA	1				EK0			CLAMP, Hose to Radiator, 47mm
18	52079331	1				ED0			CAP, Coolant Reserve Tank
19	52079848AA	1				EK0			BOTTLE, Coolant Recovery
20									SHROUD, Fan
	52080127AA	1				EK0	DG0		
		1				EK0	DBB		
-21	04644269	1				EK0	DG0		DRAINCOCK, Radiator
-22	53020887AB	1				EK0			HOUSING, Thermostat
23	55037642AB	1				EK0			CLIP, Hose
24	52079697AB	1				EK0	DG0		COOLER, Auxiliary Trans. Oil
-25	05191979AA	1	J, T, U			EK0	DG0		COOLER PACKAGE, Transmission Oil, Mopar Service Kit for Heavy Duty Cycle Operation, For Extreme Heat Conditions Only

LIBERTY (KJ)

SERIES LINE
P = Limited J = LHD (4WD)
H = Sport U = RHD (4WD)
M = Renegade T = LHD (2WD)

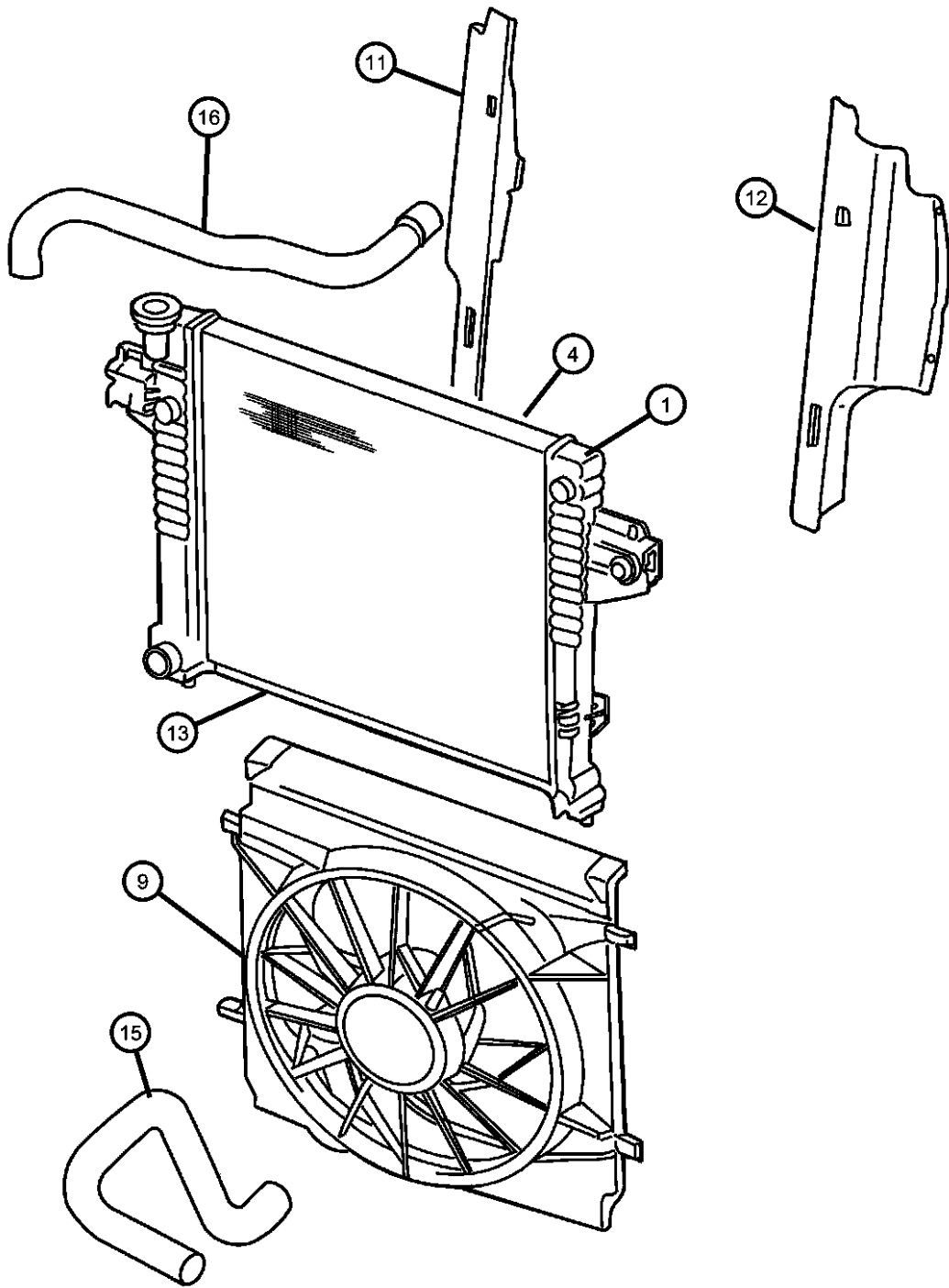
BODY
74 = 4 Door (104.3 WB)

ENGINE
ED1 = Engine - 2.4L 4 Cyl
DOHC 16v SMPI
EKG = Engine - 3.7L V6
ENJ = Engine -2.5L 4 Cyl 16V
Turbo Diesel
ENR = Engine - 2.8L 4 Cyl
Turbo Diesel
ENO = 4Cyl Turbo Diesel
EKO = All 3.7L
ED0 = All 2.4L

TRANSMISSION
DDD = Transmission - 5-Speed HD
Manual
DDK = Transmission - 5-Speed HD
Manual
DG4 = Transmission-Multi-Speed
Auto, 45RFE
DG6 = Transmission-4-Spd.
Automatic, 42RLE
DGQ = Transmission-5-Spd Automatic
5-45RFE
DBB = All Manual Transmissions
DG0 = All Automatic Transmissions

AR = use ase required - = Non illustrated part

**Radiator and Related Parts, 2.5,2.8L Diesel Engine
Figure 7-130**



ITEM	PART NUMBER	QTY	LINE	SERIES	BODY	ENGINE	TRANS	TRIM	DESCRIPTION
------	-------------	-----	------	--------	------	--------	-------	------	-------------

Note; Sales Codes
[EN0]= All 4 Cylinder Diesel Engine
[DBB]= Manual Trans

1	52079747AB	1				EN0	DBB		RADIATOR, Engine Cooling
	05066386AA								Mopar Coolant 5 Year/100,000 Mile Formula 1 Gallon
	05066386AA	1				EN0	DG0		Mopar Coolant 5 Year/100,000 Mile Formula 1 Gallon
-2	55176756AD	1							SUPPORT, Radiator
-3	55176763AE	1							CROSSMEMBER, Radiator
4	55037465AB	1				EN0	DBB		CONDENSER, Air Conditioning
		1				EN0	DG0		
-5	52079700AB	1				EN0	DBB		COOLER, Charge Air
		1				EN0	DG0		
-6	06034399	1				EN0			CLAMP, Charge Cooler Inlet
-7	52079800AC	1				EN0			HOSE, Charge Air Cooler Inlet
	52079801AD	1				EN0			Outlet
-8	55037700AA	1				EN0	DG0		COOLER, Auxiliary Trans. Oil
9	52079674AB	1				EN0	DBB		SHROUD, Fan
		1				EN0	DG0		
-10	52079879AB	1				EN0			SHROUD, Fan, Door
11	52079766AD	1				EN0	DBB		SEAL, Radiator Side Air
		1				EN0	DG0		
12	52079760AA	1				EN0	DBB		SEAL, Radiator

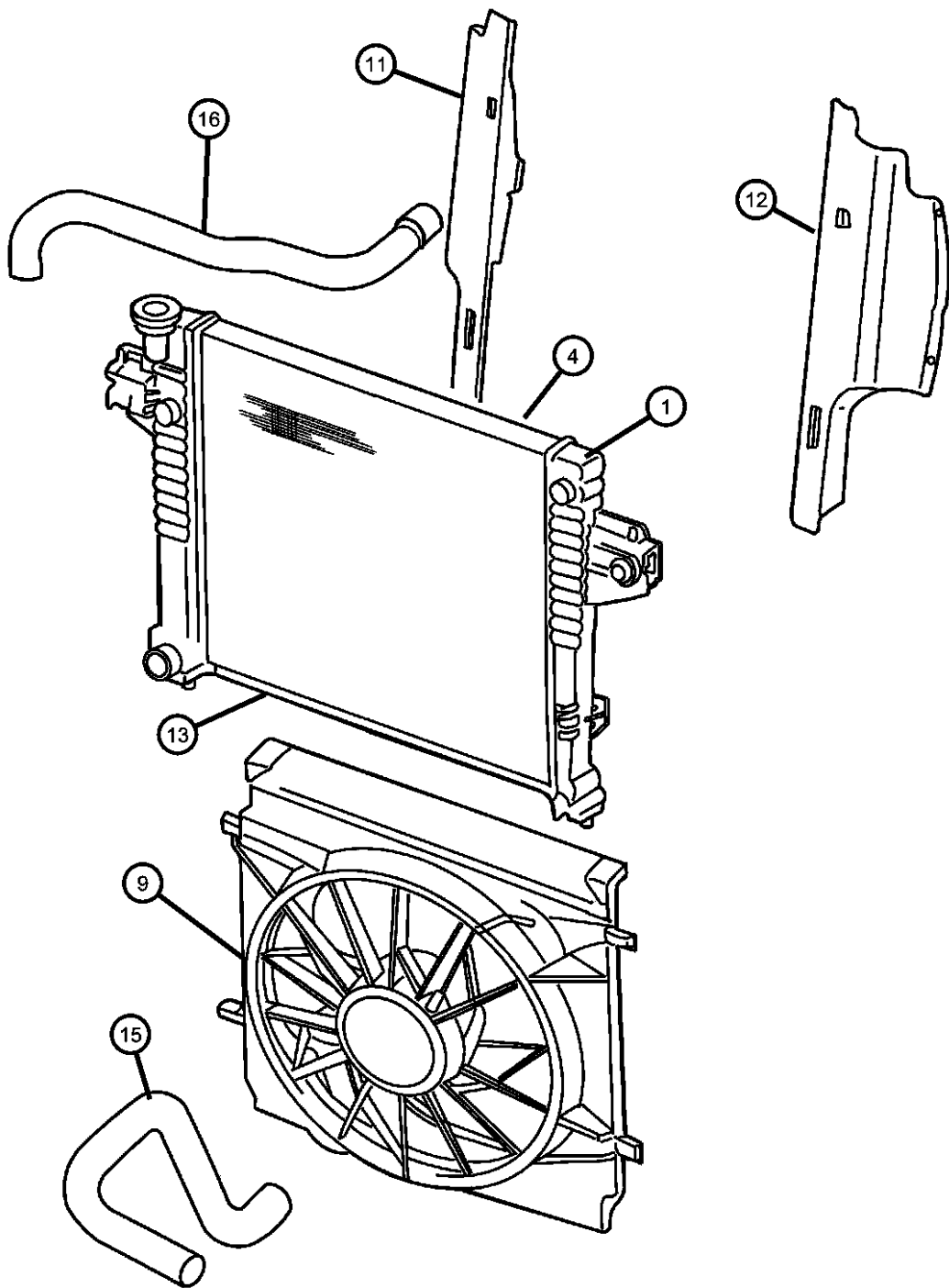
LIBERTY (KJ)

SERIES	LINE	BODY	ENGINE	TRANSMISSION
P = Limited	J = LHD (4WD)	74 = 4 Door (104.3 WB)	ED1 = Engine - 2.4L 4 Cyl DOHC 16v SMPI	DDD = Transmission - 5-Speed HD Manual
H = Sport	U = RHD (4WD)		EKG = Engine - 3.7L V6	DDK = Transmission - 5-Speed HD Manual
M = Renegade	T = LHD (2WD)		ENJ = Engine -2.5L 4 Cyl 16V Turbo Diesel	DG4 = Transmission-Multi-Speed Auto, 45RFE
			ENR = Engine - 2.8L 4 Cyl Turbo Diesel	DG6 = Transmission-4-Spd. Automatic, 42RLE
			EN0 = 4Cyl Turbo Diesel	DGQ = Transmission-5-Spd Automatic 5-45RFE
			EK0 = All 3.7L	DBB = All Manual Transmissions
			ED0 = All 2.4L	DG0 = All Automatic Transmissions

AR = use ase required - = Non illustrated part

2004 KJ

Radiator and Related Parts, 2.5,2.8L Diesel Engine
Figure 7-130



ITEM	PART NUMBER	QTY	LINE	SERIES	BODY	ENGINE	TRANS	TRIM	DESCRIPTION
		1				EN0	DG0		SEAL, Radiator
13	52079760AA	1				EN0	DBB		
		1				EN0	DG0		
-14	J4004262	4				EN0	DBB		PIN, Push, .15x.41
		4				EN0	DG0		
15	52079716AB	1				EN0			HOSE, Radiator Outlet
16	52079708AA	1	J, U			EN0			HOSE, Radiator Inlet
-17	52079727AA	1				EN0			FAN, Cooling
-18	55037688AA	1				EN0			DRIVE, Fan, Viscous

LIBERTY (KJ)

SERIES LINE
P = Limited J = LHD (4WD)
H = Sport U = RHD (4WD)
M = Renegade T = LHD (2WD)

BODY
74 = 4 Door (104.3 WB)

ENGINE
ED1 = Engine - 2.4L 4 Cyl DOHC 16v SMPI
EKG = Engine - 3.7L V6
ENJ = Engine -2.5L 4 Cyl 16V Turbo Diesel
ENR = Engine - 2.8L 4 Cyl Turbo Diesel
EN0 = 4Cyl Turbo Diesel
ED0 = All 2.4L

TRANSMISSION
DDD = Transmission - 5-Speed HD Manual
DDK = Transmission - 5-Speed HD Manual
DG4 = Transmission-Multi-Speed Auto, 45RFE
DG6 = Transmission-4-Spd. Automatic, 42RLE
DGQ = Transmission-5-Spd Automatic 5-45RFE
DBB = All Manual Transmissions
DG0 = All Automatic Transmissions

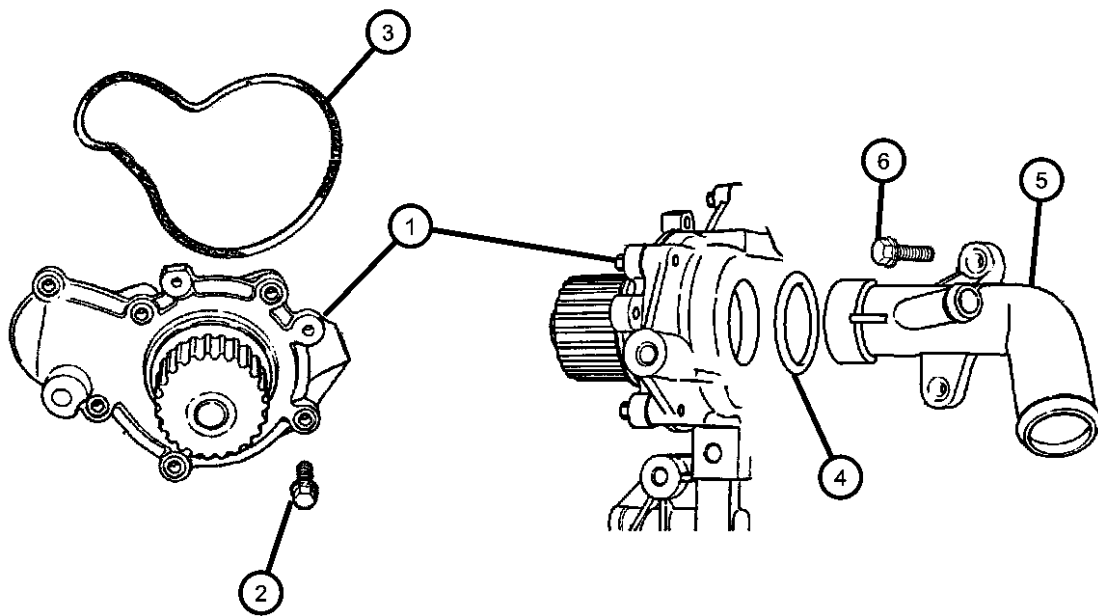
AR = use ase required - = Non illustrated part

**Water Pump and Related Parts, 2.4L Engine
Figure 7-210**

ITEM	PART NUMBER	QTY	LINE	SERIES	BODY	ENGINE	TRANS	TRIM	DESCRIPTION
------	-------------	-----	------	--------	------	--------	-------	------	-------------

Note; Sales Codes
 [ED0]= All 2.2L, 2.5L, 2.4L, 4 C
 [EK0]= All 3.7L, 6 Cylinder Gas Engines

1	04694307AC	1				ED0			PUMP, Water
2	06503255	4				ED0			BOLT, Hex Head, M6x1.0x22
3	04621564	1				ED0			SEAL, Water Pump Body
4	06503180	1				ED0			O RING, Water Inlet Tube
5	53010517AC	1				ED0			TUBE, Water Pump Inlet
6	06506770AA	5				ED0			SCREW



LIBERTY (KJ)

SERIES	LINE
P = Limited	J = LHD (4WD)
H = Sport	U = RHD (4WD)
M = Renegade	T = LHD (2WD)

BODY
 74 = 4 Door (104.3 WB)

ENGINE
 ED1 = Engine - 2.4L 4 Cyl
 DOHC 16v SMPI
 EKG = Engine - 3.7L V6
 ENJ = Engine -2.5L 4 Cyl 16V
 Turbo Diesel
 ENR = Engine - 2.8L 4 Cyl
 Turbo Diesel
 EN0 = 4Cyl Turbo Diesel
 EK0 = All 3.7L
 ED0 = All 2.4L

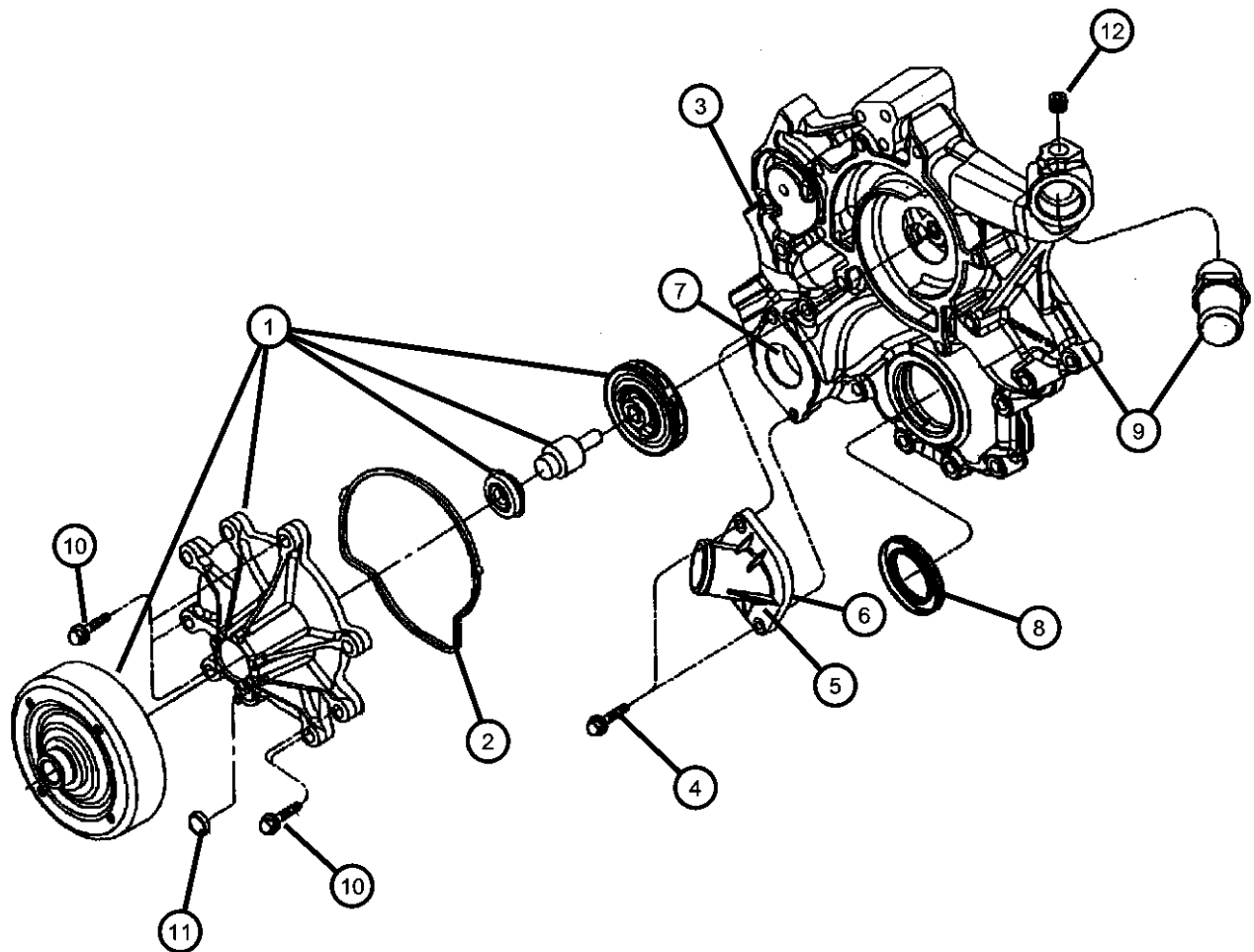
TRANSMISSION
 DDD = Transmission - 5-Speed HD
 Manual
 DDK = Transmission - 5-Speed HD
 Manual
 DG4 = Transmission-Multi-Speed
 Auto, 45RFE
 DG6 = Transmission-4-Spd.
 Automatic, 42RLE
 DGQ = Transmission-5-Spd Automatic
 5-45RFE
 DBB = All Manual Transmissions
 DG0 = All Automatic Transmissions

AR = use ase required - = Non illustrated part

2004 KJ

**Water Pump and Related Parts, 3.7L Engine
Figure 7-220**

ITEM	PART NUMBER	QTY	LINE	SERIES	BODY	ENGINE	TRANS	TRIM	DESCRIPTION
Note; Sales Codes [ED0]= All 2.2L, 2.5L, 2.4L, 4 C [EK0]= All 3.7L, 6 Cylinder Gas Engines									
1	53021187AA	1				EK0			PUMP, Water, Includes Gasket
2	53020865	1				EK0			GASKET, Water Pump
3	06035854	2				EK0			FITTING, Y-Style
4	06505502AA	2				EK0			SCREW
5	53020887AB	1				EK0			HOUSING, Thermostat
6	53020887AB	1							GASKET, Thermostat, Use RTV Sealer, (NOT SERVICED)
7	52079476AC	1				EK0			THERMOSTAT
8	53021313AA	1				EK0			SEAL, Crankshaft Oil, Front
9	53021238AB	1				EK0			COVER, Timing Belt
10	06102380AA	5				EK0			SCREW, Hex Flange Head
11	06102380AA	5							PLUG, (NOT SERVICED)
12	06102380AA	5							PLUG, (NOT SERVICED)
-13	53013505AA	1				EK0			CAP, Water Pump Pulley



LIBERTY (KJ)

SERIES	LINE
P = Limited	J = LHD (4WD)
H = Sport	U = RHD (4WD)
M = Renegade	T = LHD (2WD)

BODY
74 = 4 Door (104.3 WB)

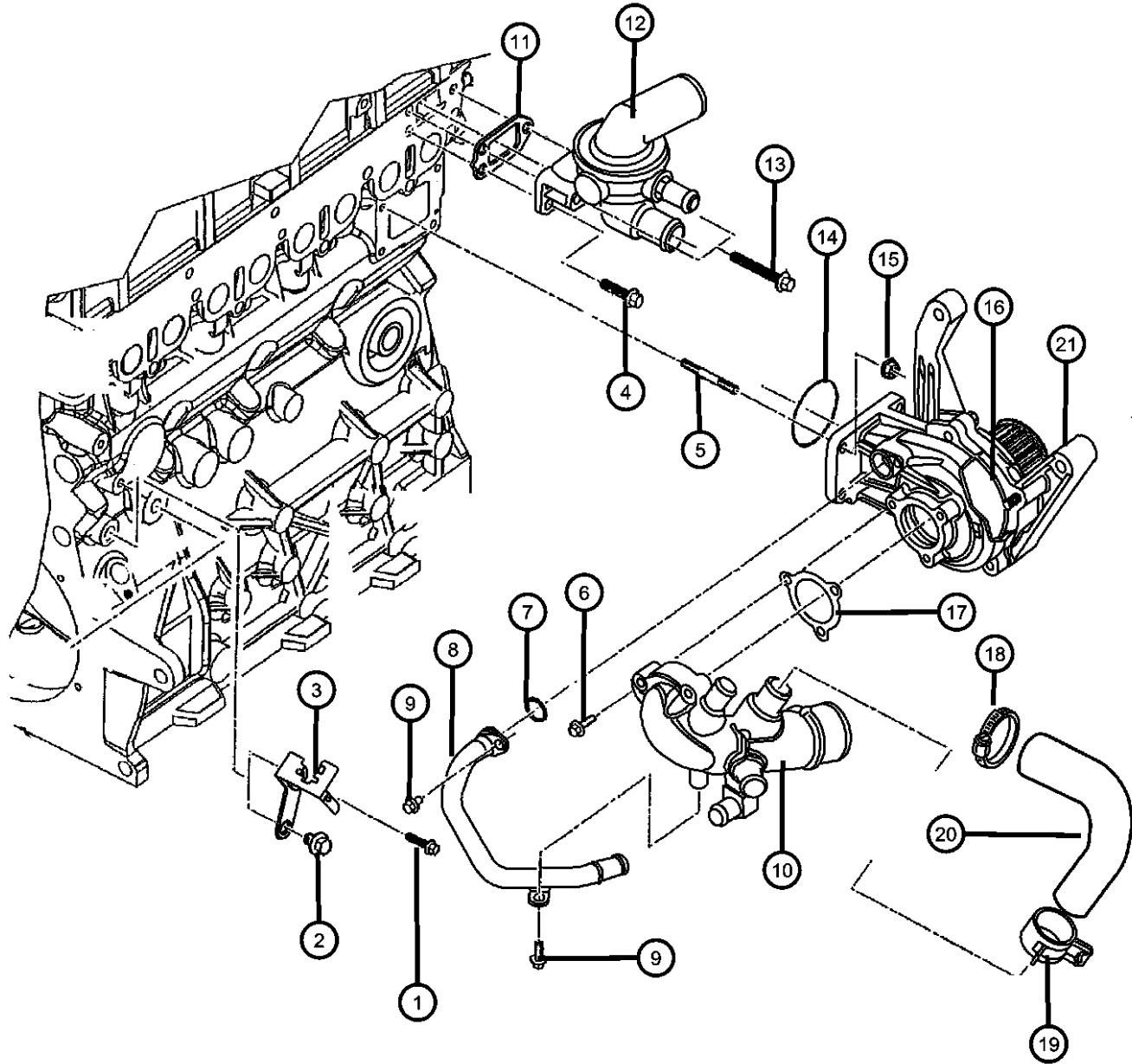
ENGINE
ED1 = Engine - 2.4L 4 Cyl DOHC 16v SMPI
EKG = Engine - 3.7L V6
ENJ = Engine -2.5L 4 Cyl 16V Turbo Diesel
ENR = Engine - 2.8L 4 Cyl Turbo Diesel
ENO = 4Cyl Turbo Diesel
EK0 = All 3.7L
ED0 = All 2.4L

TRANSMISSION
DDD = Transmission - 5-Speed HD Manual
DDK = Transmission - 5-Speed HD Manual
DG4 = Transmission-Multi-Speed Auto, 45RFE
DG6 = Transmission-4-Spd. Automatic, 42RLE
DGQ = Transmission-5-Spd Automatic 5-45RFE
DBB = All Manual Transmissions
DG0 = All Automatic Transmissions

AR = use ase required - = Non illustrated part

2004 KJ

Water Pump and Related Parts, 2.5,2.8L Diesel Engine
Figure 7-230



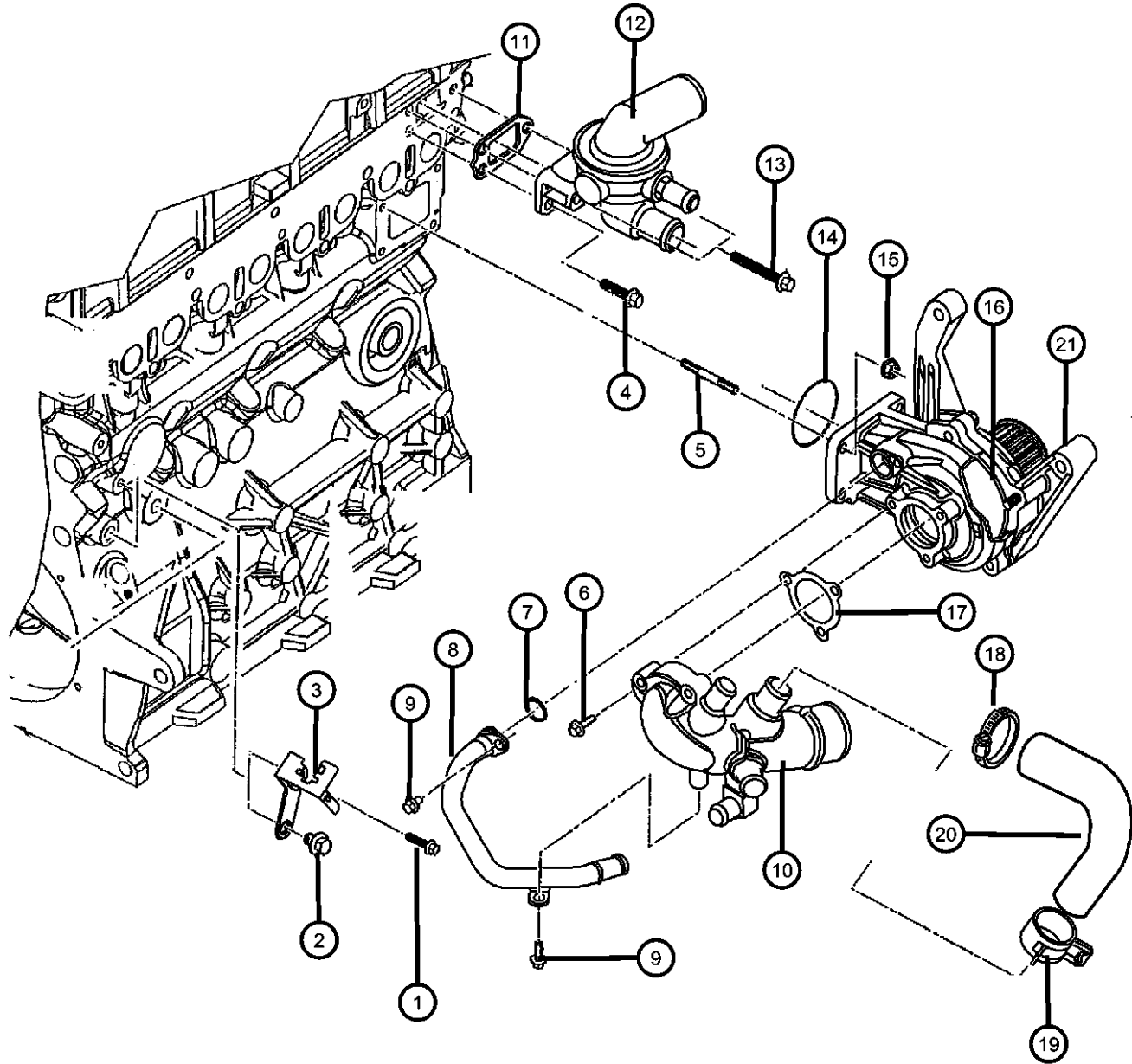
ITEM	PART NUMBER	QTY	LINE	SERIES	BODY	ENGINE	TRANS	TRIM	DESCRIPTION
1	05003554AA	1				EN0	DG0		SCREW
2									SCREW
	05003724AA	1				EN0	DG0		
		1				EN0	DBB		
3		1							BRACKET, 05072692ac, (NOT REQUIRED)
4	04864537	1				EN0	DG0		BOLT, 8Mx20
5									STUD, Water Pump To Block
	04720550	4				EN0	DBB		
		4				EN0	DG0		
6									SCREW
	04864551	3				EN0	DBB		
		3				EN0	DG0		
7	05072698AA	1				EN0	DG0		O RING
8	05072703AB	1				EN0	DG0		PIPE, Water Pump Drain
9									BOLT, M6x10
	05003551AA	1				EN0	DG0		
		1				EN0	DBB		
10									ADAPTER, Water Pump
	05072704AA	1				EN0	DG0		
		1				EN0	DBB		
11									GASKET, Thermostat
	05066806AA	1				EN0	DG0		
		1				EN0	DBB		
12									THERMOSTAT
	05072705AB	1				EN0	DG0		
		1				EN0	DBB		
13									BOLT

LIBERTY (KJ)

SERIES	LINE	BODY	ENGINE	TRANSMISSION
P = Limited	J = LHD (4WD)	74 = 4 Door (104.3 WB)	ED1 = Engine - 2.4L 4 Cyl DOHC 16v SMPI	DDD = Transmission - 5-Speed HD Manual
H = Sport	U = RHD (4WD)		EKG = Engine - 3.7L V6	DDK = Transmission - 5-Speed HD Manual
M = Renegade	T = LHD (2WD)		ENJ = Engine - 2.5L 4 Cyl 16V Turbo Diesel	DG4 = Transmission-Multi-Speed Auto, 45RFE
			ENR = Engine - 2.8L 4 Cyl Turbo Diesel	DG6 = Transmission-4-Spd. Automatic, 42RLE
			EN0 = 4Cyl Turbo Diesel	DGQ = Transmission-5-Spd Automatic 5-45RFE
			EK0 = All 3.7L	DBB = All Manual Transmissions
			ED0 = All 2.4L	DG0 = All Automatic Transmissions

AR = use ase required - = Non illustrated part

**Water Pump and Related Parts, 2.5,2.8L Diesel Engine
Figure 7-230**



ITEM	PART NUMBER	QTY	LINE	SERIES	BODY	ENGINE	TRANS	TRIM	DESCRIPTION
	05015113AA	1				EN0	DG0		
		2				EN0	DBB		
14									O RING, Water Pump
	05069141AA	1				EN0	DG0		
		1				EN0	DBB		
15									NUT
	04778961	4				EN0	DBB		
		4				EN0	DG0		
16									O RING
	05072707AA	1				EN0	DG0		
		1				EN0	DBB		
17									GASKET, Water Pump
	04864575	1				EN0	DG0		
		1				EN0	DBB		
18									CLAMP, Hose
	04720453	1				EN0	DG0		
		1				EN0	DBB		
19									CLAMP, Heater Hose
	04886050AA	1				EN0	DG0		
		1				EN0	DBB		
20									HOSE, Water Pump Bypass
	05093912AA	1				EN0	DG0		
		1				EN0	DBB		
21									PUMP, Water
	05093911AA	1				EN0	DG0		
		1				EN0	DBB		

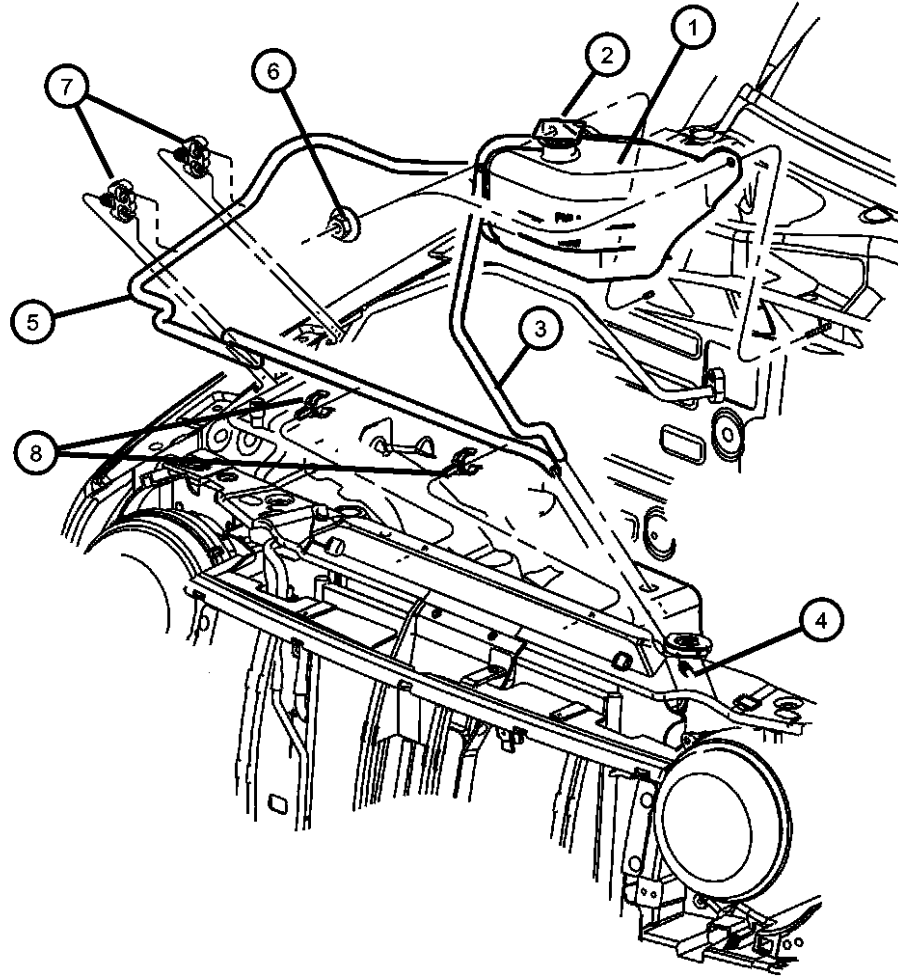
LIBERTY (KJ)

SERIES	LINE	BODY	ENGINE	TRANSMISSION
P = Limited	J = LHD (4WD)	74 = 4 Door (104.3 WB)	ED1 = Engine - 2.4L 4 Cyl DOHC 16v SMPI	DDD = Transmission - 5-Speed HD Manual
H = Sport	U = RHD (4WD)		EKG = Engine - 3.7L V6	DDK = Transmission - 5-Speed HD Manual
M = Renegade	T = LHD (2WD)		ENJ = Engine -2.5L 4 Cyl 16V Turbo Diesel	DG4 = Transmission-Multi-Speed Auto, 45RFE
			ENR = Engine - 2.8L 4 Cyl Turbo Diesel	DG6 = Transmission-4-Spd. Automatic, 42RLE
			EN0 = 4Cyl Turbo Diesel	DGQ = Transmission-5-Spd Automatic 5-45RFE
			EK0 = All 3.7L	DBB = All Manual Transmissions
			ED0 = All 2.4L	DG0 = All Automatic Transmissions

AR = use ase required - = Non illustrated part

**Coolant Tank, 2.4L Engine
Figure 7-305**

ITEM	PART NUMBER	QTY	LINE	SERIES	BODY	ENGINE	TRANS	TRIM	DESCRIPTION
Note; Sales Codes [ED0]= All 2.2L, 2.5L, 2.4L, 4 C [EK0]= All 3.7L, 6 Cylinder Gas Engines [EN0]= All 2.5L 4 Cylinder Diesel Engine									
1	52079702AD	1				ED0			BOTTLE, Coolant Recovery
2	52079331	1				ED0			CAP, Coolant Reserve Tank
3	04026148	1				ED0			HOSE, Coolant Reserve Tank
4	J3180725	1				ED0			CLAMP, Hose
5	04026148	1				ED0			HOSE, Coolant Reserve Tank
6	06506603AA	2	J, T						NUT, M6x1.00
7	06506603AA	2							CLIP, (NOT SERVICED)
8	52080133AB	2				ED0			CLIP, Hose



LIBERTY (KJ)

SERIES	LINE
P = Limited	J = LHD (4WD)
H = Sport	U = RHD (4WD)
M = Renegade	T = LHD (2WD)

BODY
74 = 4 Door (104.3 WB)

ENGINE
ED1 = Engine - 2.4L 4 Cyl
DOHC 16v SMPI
EK0 = Engine - 3.7L V6
ENJ = Engine -2.5L 4 Cyl 16V
Turbo Diesel
ENR = Engine - 2.8L 4 Cyl
Turbo Diesel
EN0 = 4Cyl Turbo Diesel
EK0 = All 3.7L
ED0 = All 2.4L

TRANSMISSION
DDD = Transmission - 5-Speed HD
Manual
DDK = Transmission - 5-Speed HD
Manual
DG4 = Transmission-Multi-Speed
Auto, 45RFE
DG6 = Transmission-4-Spd.
Automatic, 42RLE
DGQ = Transmission-5-Spd Automatic
5-45RFE
DBB = All Manual Transmissions
DG0 = All Automatic Transmissions

AR = use ase required - = Non illustrated part

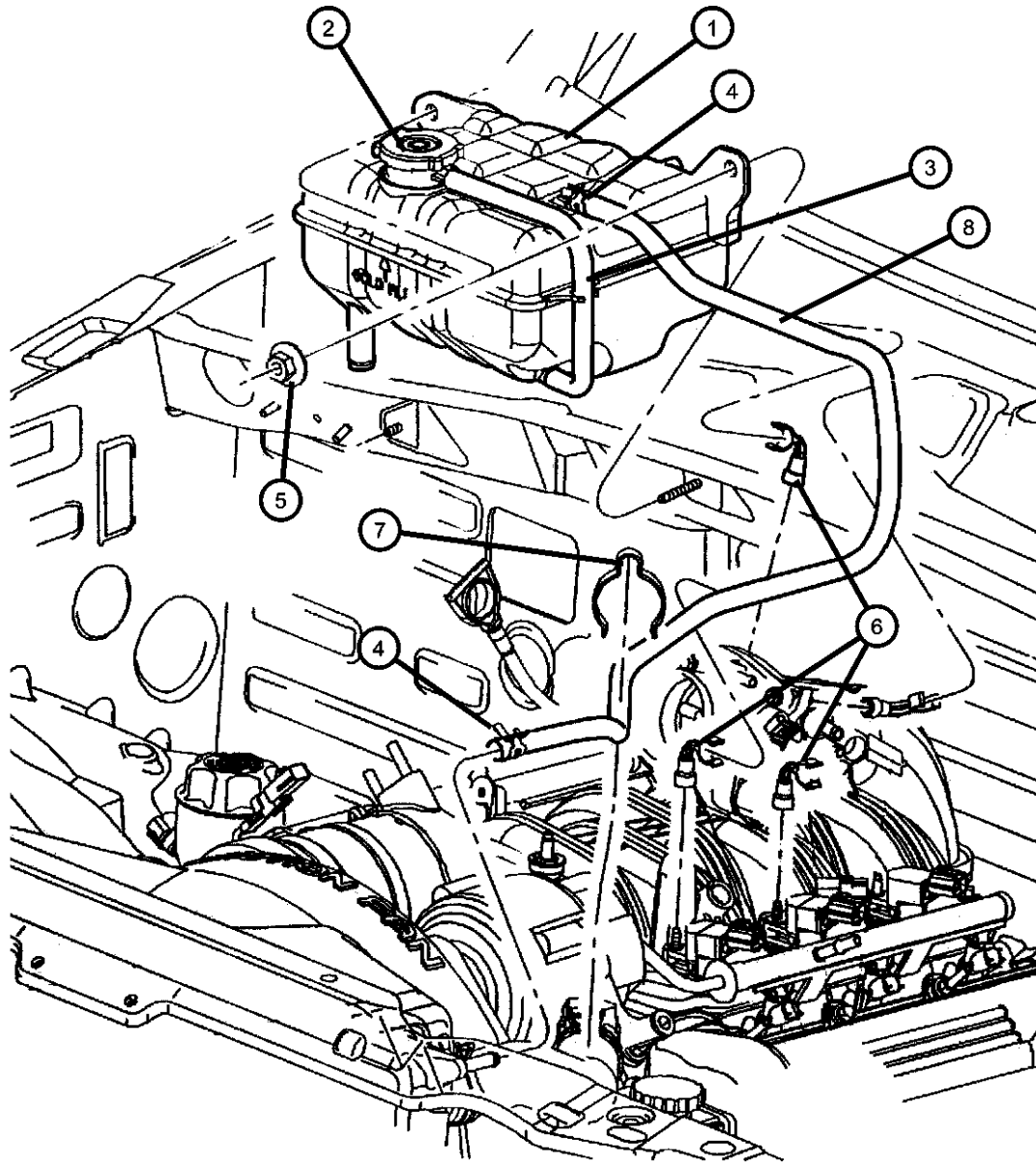
2004 KJ

**Coolant Tank, 3.7L Engine
Figure 7-310**

ITEM	PART NUMBER	QTY	LINE	SERIES	BODY	ENGINE	TRANS	TRIM	DESCRIPTION
------	-------------	-----	------	--------	------	--------	-------	------	-------------

Note; Sales Codes
[EK0]= All 3.7L, 6 Cylinder Gas Engines

1	52079848AA	1				EK0			BOTTLE, Coolant Recovery
2	52079848AA	1							CAP, Radiator, 04596198, (NOT SERVICED)
3	04026148	1				ED0			HOSE, Coolant Reserve Tank
4	52079632AA	2				EK0			CLAMP, Oil Cooler Tube
5	06506603AA	2				ED0, EK0, EN0			NUT, M6x1.00
6	52128508AC	3				EK0			CLIP, Hose
7	52128508AC	3							CLIP, Hose, 52007404, (NOT SERVICED)
8	05086496AA	1				EK0			HOSE, Overflow, Roll Stock



LIBERTY (KJ)

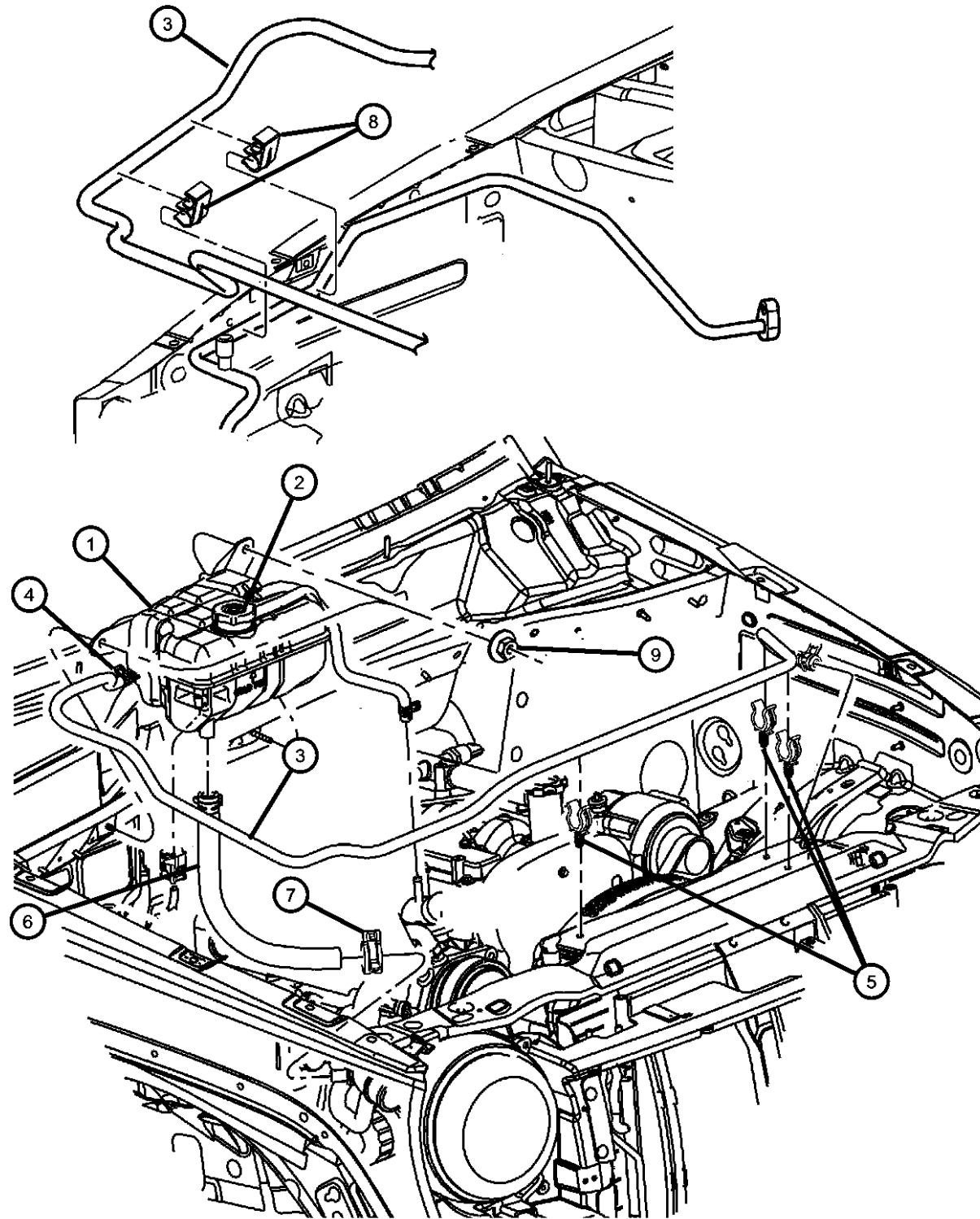
SERIES	LINE	BODY	ENGINE	TRANSMISSION
P = Limited	J = LHD (4WD)	74 = 4 Door (104.3 WB)	ED1 = Engine - 2.4L 4 Cyl DOHC 16v SMPI	DDD = Transmission - 5-Speed HD Manual
H = Sport	U = RHD (4WD)		EKG = Engine - 3.7L V6	DDK = Transmission - 5-Speed HD Manual
M = Renegade	T = LHD (2WD)		ENJ = Engine -2.5L 4 Cyl 16V Turbo Diesel	DG4 = Transmission-Multi-Speed Auto, 45RFE
			ENR = Engine - 2.8L 4 Cyl Turbo Diesel	DG6 = Transmission-4-Spd. Automatic, 42RLE
			EN0 = 4Cyl Turbo Diesel	DGQ = Transmission-5-Spd Automatic 5-45RFE
			EK0 = All 3.7L	DBB = All Manual Transmissions
			ED0 = All 2.4L	DG0 = All Automatic Transmissions

AR = use ase required - = Non illustrated part

2004 KJ

**Coolant Degasser Tank, 2.5,2.8L Diesel Engine
Figure 7-320**

ITEM	PART NUMBER	QTY	LINE	SERIES	BODY	ENGINE	TRANS	TRIM	DESCRIPTION
1	52079849AA	1				EN0			TANK, Coolant Reserve
2	52079849AA	1							CAP, Radiator, 04596198, (NOT SERVICED)
3	04026148	1				EN0			HOSE, Coolant Reserve Tank
4	52079632AA	4				EN0			CLAMP, Oil Cooler Tube
5	52080133AB	2				EN0			CLIP, Hose
6	52079856AB	1				EN0			HOSE, Coolant Recovery Bottle
7	06502018	2				EN0			CLAMP, Hose, M28.9 x 1.60
8	06502018	2							CLIP, (NOT SERVICED)
9	06502018	2							NUT, M6X1.00, (NOT SERVICED)



LIBERTY (KJ)

SERIES LINE
P = Limited J = LHD (4WD)
H = Sport U = RHD (4WD)
M = Renegade T = LHD (2WD)

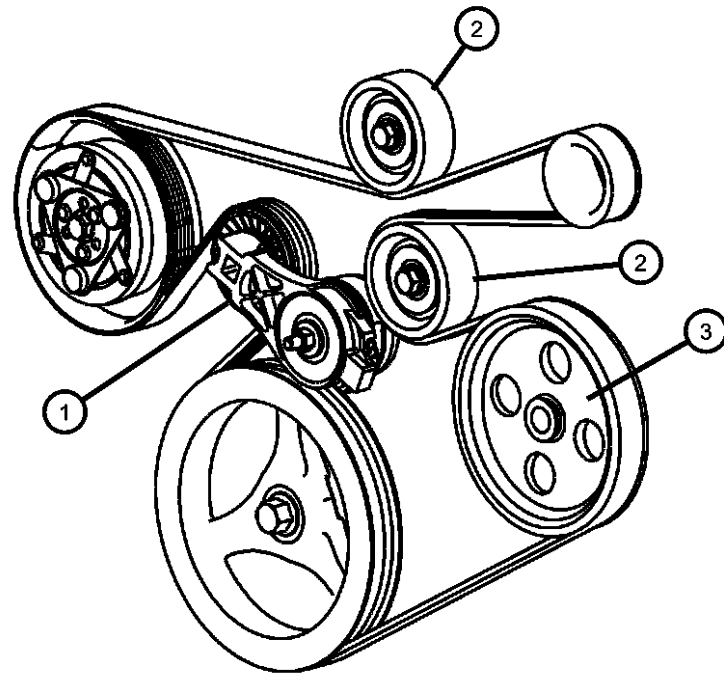
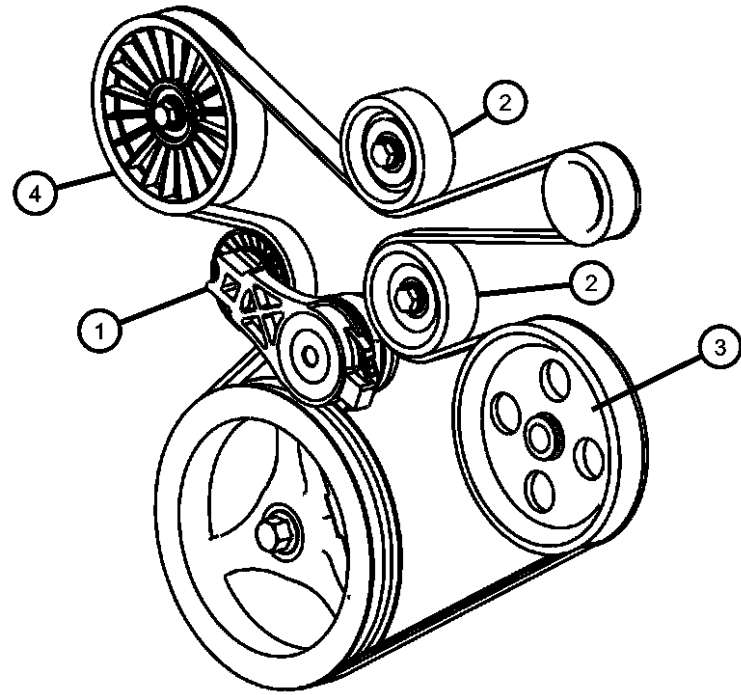
BODY
74 = 4 Door (104.3 WB)

ENGINE
ED1 = Engine - 2.4L 4 Cyl DOHC 16v SMPI
EKG = Engine - 3.7L V6
ENJ = Engine -2.5L 4 Cyl 16V Turbo Diesel
ENR = Engine - 2.8L 4 Cyl Turbo Diesel
EN0 = 4Cyl Turbo Diesel
EK0 = All 3.7L
ED0 = All 2.4L

TRANSMISSION
DDD = Transmission - 5-Speed HD Manual
DDK = Transmission - 5-Speed HD Manual
DG4 = Transmission-Multi-Speed Auto, 45RFE
DG6 = Transmission-4-Spd. Automatic, 42RLE
DGQ = Transmission-5-Spd Automatic 5-45RFE
DBB = All Manual Transmissions
DG0 = All Automatic Transmissions

AR = use ase required - = Non illustrated part

Drive Pulleys, 2.4L Engine
Figure 7-410



ITEM	PART NUMBER	QTY	LINE	SERIES	BODY	ENGINE	TRANS	TRIM	DESCRIPTION
------	-------------	-----	------	--------	------	--------	-------	------	-------------

Note: Sales Codes

[ED0]= All 2.2L, 2.5L, 2.4L, 4 C

1	04861277AB	1				ED0			TENSIONER, Belt
2	53013324AA	2				ED0			PULLEY, Idler
3	53031722AA	1				ED0			PULLEY, Power Steering Pump
4	53013366AA	1				ED0			PULLEY, Idler, without Air Conditioning
-5	34202781	1				ED0			SCREW Idler Pulley

LIBERTY (KJ)

SERIES

P = Limited
H = Sport
M = Renegade

LINE

J = LHD (4WD)
U = RHD (4WD)
T = LHD (2WD)

BODY

74 = 4 Door (104.3 WB)

ENGINE

ED1 = Engine - 2.4L 4 Cyl
DOHC 16v SMPI
EKG = Engine - 3.7L V6
ENJ = Engine -2.5L 4 Cyl 16V
Turbo Diesel
ENR = Engine - 2.8L 4 Cyl
Turbo Diesel
ENO = 4Cyl Turbo Diesel
EKO = All 3.7L
ED0 = All 2.4L

TRANSMISSION

DDD = Transmission - 5-Speed HD
Manual
DDK = Transmission - 5-Speed HD
Manual
DG4 = Transmission-Multi-Speed
Auto, 45RFE
DG6 = Transmission-4-Spd.
Automatic, 42RLE
DGQ = Transmission-5-Spd Automatic
5-45RFE
DBB = All Manual Transmissions
DG0 = All Automatic Transmissions

AR = use ase required - = Non illustrated part

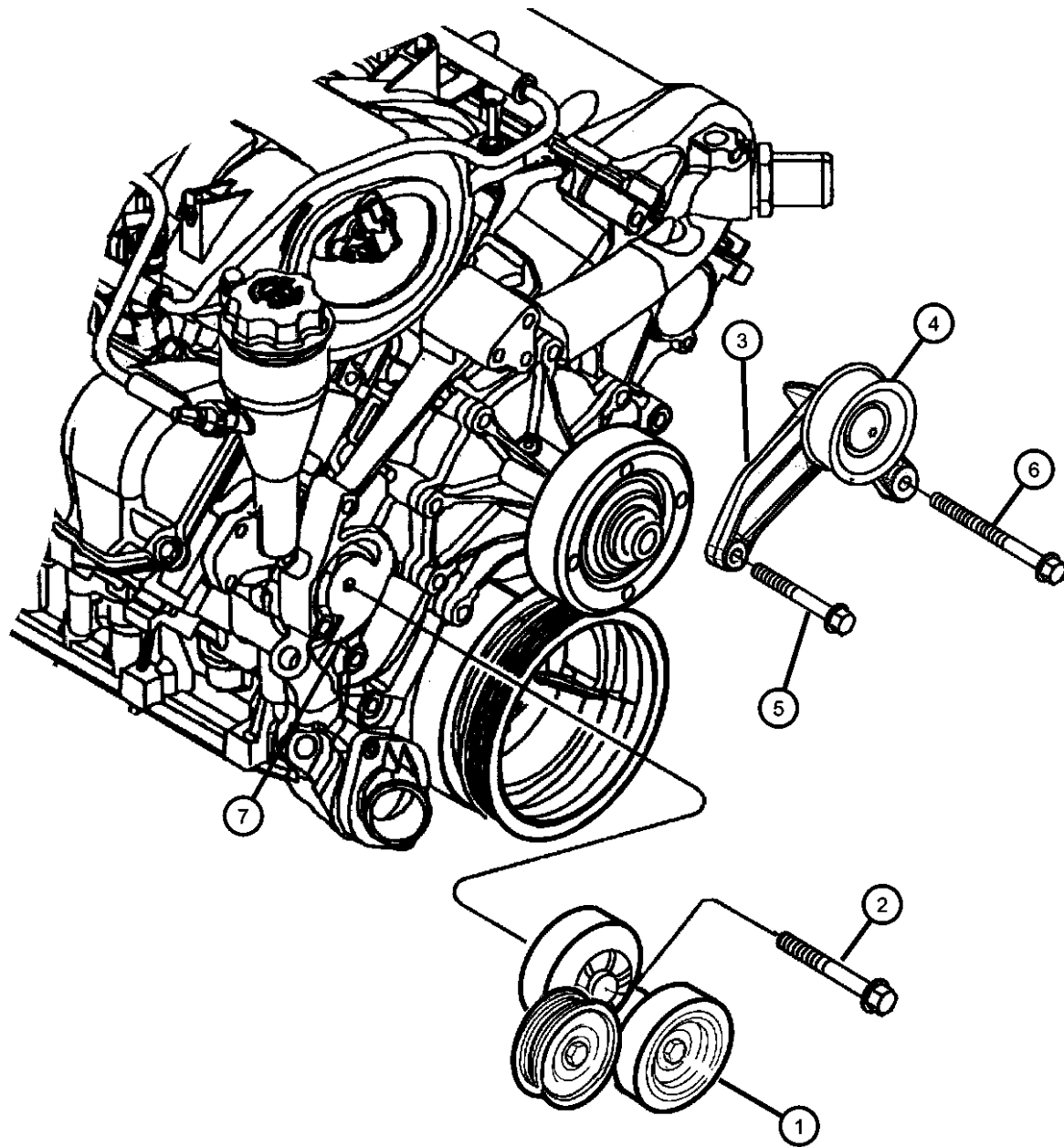
2004 KJ

Drive Pulleys, 3.7L Engine
Figure 7-420

ITEM	PART NUMBER	QTY	LINE	SERIES	BODY	ENGINE	TRANS	TRIM	DESCRIPTION
------	-------------	-----	------	--------	------	--------	-------	------	-------------

Note; Sales Codes
[ED0]= All 2.2L, 2.5L, 2.4L, 4 C
[EK0]= All 3.7L, 6 Cylinder Gas Engines

1	53030958AD	1				EK0			TENSIONER, Alternator Belt
2	06504930AA	1				EK0			SCREW AND WASHER, Hex Head, M10x1.5x70
3	53030959	1				EK0			BRACKET, Idler Pulley, [HC0]
4	53031045	1				EK0			PULLEY, Idler, [HC0]
5	06505487AA	1				EK0			SCREW AND WASHER, M10x1.5x45
6	06504344	1				EK0			SCREW AND WASHER, Hex Head
7	06507856AA	1				EK0			SCREW AND WASHER



LIBERTY (KJ)

SERIES LINE
P = Limited J = LHD (4WD)
H = Sport U = RHD (4WD)
M = Renegade T = LHD (2WD)

BODY
74 = 4 Door (104.3 WB)

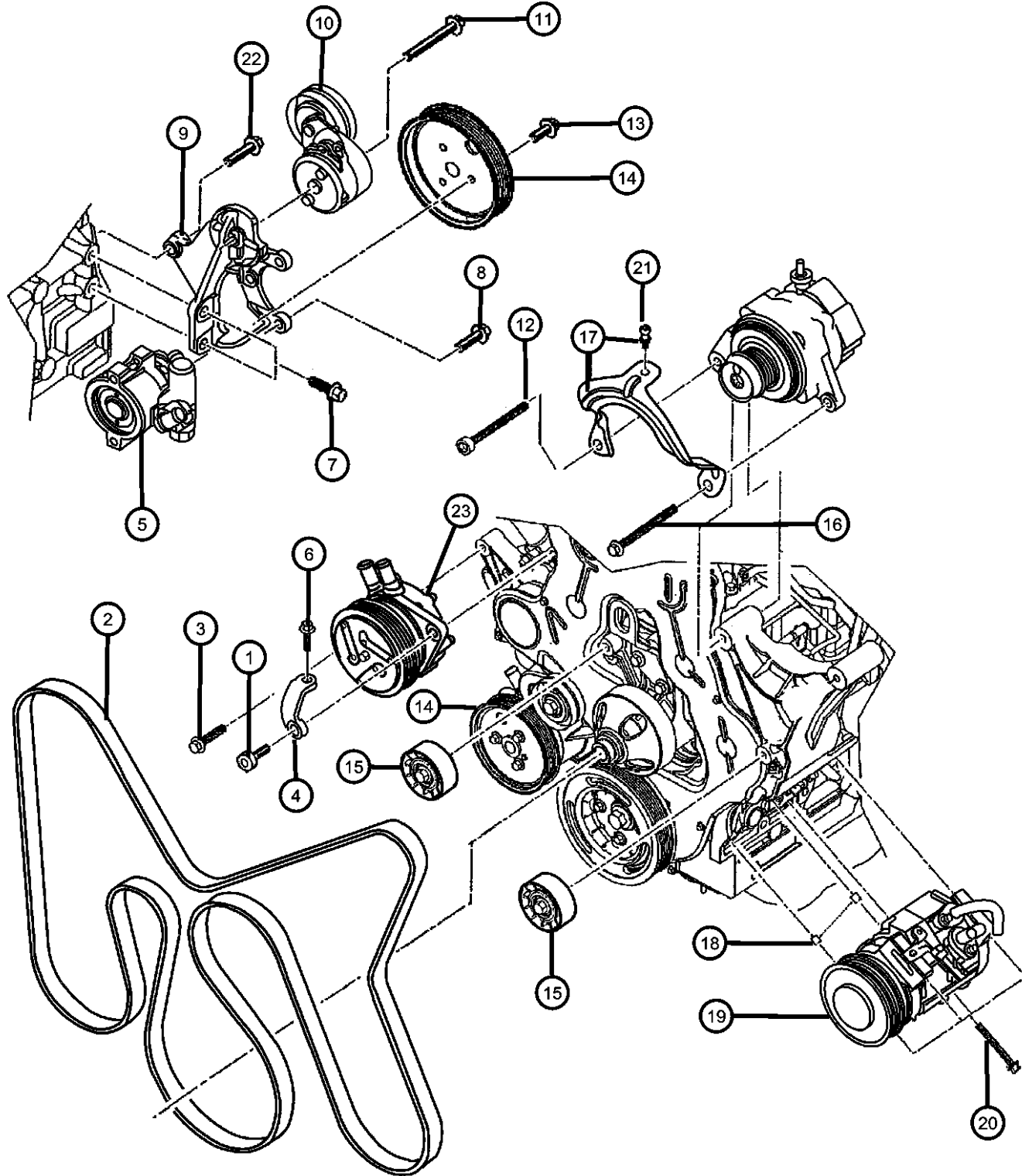
ENGINE
ED1 = Engine - 2.4L 4 Cyl
DOHC 16v SMPI
EKG = Engine - 3.7L V6
ENJ = Engine -2.5L 4 Cyl 16V
Turbo Diesel
ENR = Engine - 2.8L 4 Cyl
Turbo Diesel
ENO = 4Cyl Turbo Diesel
EK0 = All 3.7L
ED0 = All 2.4L

TRANSMISSION
DDD = Transmission - 5-Speed HD
Manual
DDK = Transmission - 5-Speed HD
Manual
DG4 = Transmission-Multi-Speed
Auto, 45RFE
DG6 = Transmission-4-Spd.
Automatic, 42RLE
DGQ = Transmission-5-Spd Automatic
5-45RFE
DBB = All Manual Transmissions
DG0 = All Automatic Transmissions

AR = use ase required - = Non illustrated part

2004 KJ

Drive Pulleys, 2.5,2.8L Diesel Engine
Figure 7-430



ITEM	PART NUMBER	QTY	LINE	SERIES	BODY	ENGINE	TRANS	TRIM	DESCRIPTION
------	-------------	-----	------	--------	------	--------	-------	------	-------------

Ote; Sales Codes
 [EN0]= All 4 Cylinder Diesel Engine

1									SCREW
	05093933AA	1				EN0	DG0		
		1				EN0	DBB		
2									BELT, Accessory Drive
	05072437AB	1				EN0	DG0		
		1				EN0	DBB		
3									BOLT, M10x45
	05003533AA	2				EN0	DBB		
		2				EN0	DG0		
4									BRACKET
	05072436AA	1				EN0	DG0		
		1				EN0	DBB		
5									PUMP, Power Steering
	52088712AC	1				EN0	DG0		
	05166226AA								Mopar Power Steering Fluid Pint
		1				EN0	DBB		
	05166226AA								Mopar Power Steering Fluid Pint
6									SCREW
	05003557AA	1				EN0	DG0		
		1				EN0	DBB		
7									BOLT, Adaptor Plate
	05003532AA	4				EN0	DBB		
		4				EN0	DG0		
8									BOLT, 8Mx20
	04864537	3				EN0	DG0		
		5				EN0	DBB		
9	05093935AA	1				EN0	DG0		BRACKET, Tensioner
10									TENSIONER, Belt

LIBERTY (KJ)

SERIES

P = Limited
 H = Sport
 M = Renegade

LINE

J = LHD (4WD)
 U = RHD (4WD)
 T = LHD (2WD)

BODY

74 = 4 Door (104.3 WB)

ENGINE

ED1 = Engine - 2.4L 4 Cyl
 DOHC 16v SMPI
 EKG = Engine - 3.7L V6
 ENJ = Engine -2.5L 4 Cyl 16V
 Turbo Diesel
 ENR = Engine - 2.8L 4 Cyl
 Turbo Diesel
 EN0 = 4Cyl Turbo Diesel
 EKO = All 3.7L
 ED0 = All 2.4L

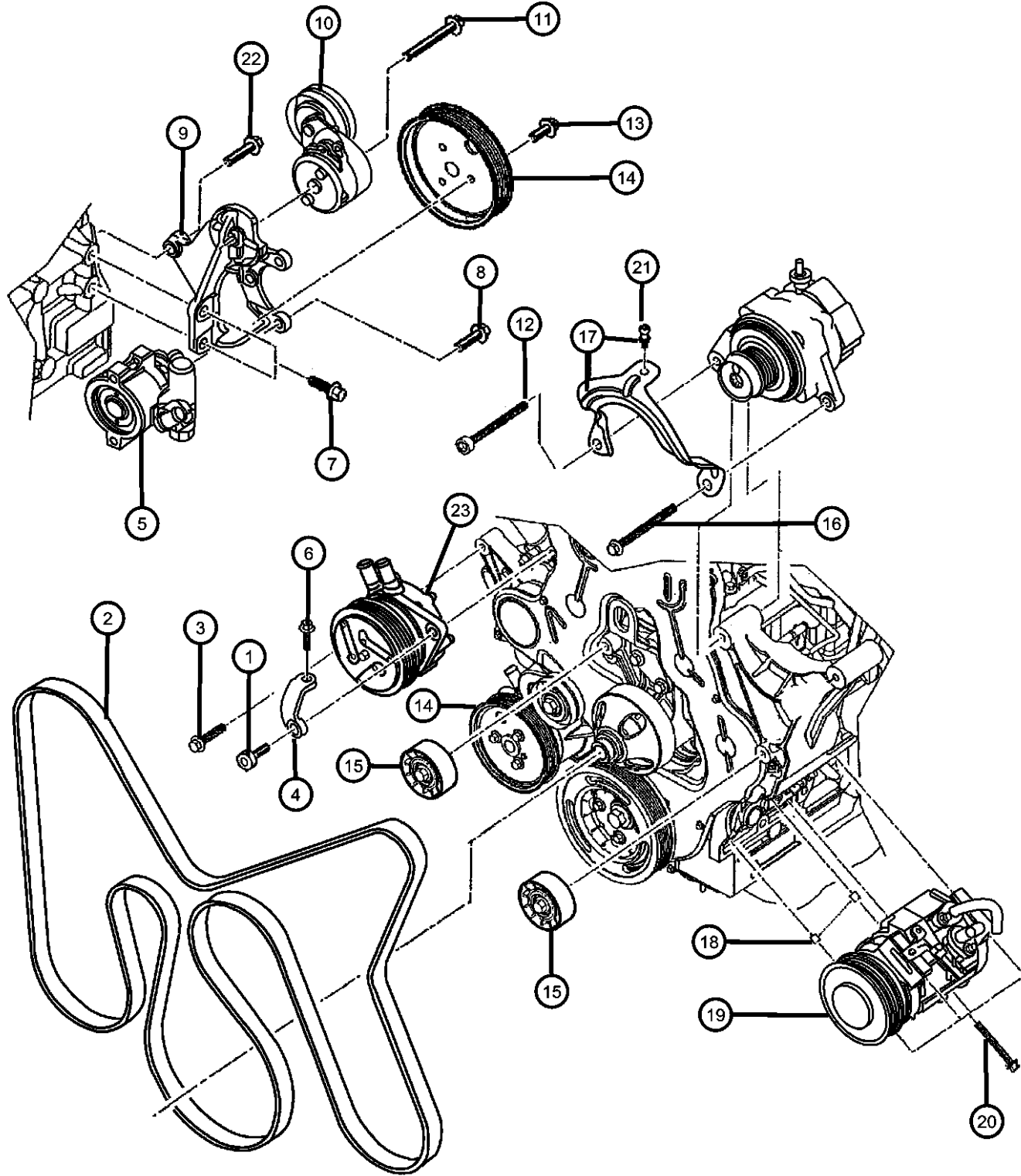
TRANSMISSION

DDD = Transmission - 5-Speed HD
 Manual
 DDK = Transmission - 5-Speed HD
 Manual
 DG4 = Transmission-Multi-Speed
 Auto, 45RFE
 DG6 = Transmission-4-Spd.
 Automatic, 42RLE
 DGQ = Transmission-5-Spd Automatic
 5-45RFE
 DBB = All Manual Transmissions
 DG0 = All Automatic Transmissions

AR = use ase required - = Non illustrated part

2004 KJ

Drive Pulleys, 2.5,2.8L Diesel Engine
Figure 7-430



ITEM	PART NUMBER	QTY	LINE	SERIES	BODY	ENGINE	TRANS	TRIM	DESCRIPTION
	05072440AA	1				EN0	DG0		
		1				EN0	DBB		
11	05015612AA	1				EN0	DG0		SCREW
		1				EN0	DBB		
12	05093936AA	1				EN0	DG0		SCREW
		1				EN0	DBB		
13	05003554AA	1				EN0	DG0		SCREW
		3				EN0	DBB		
14	05072441AA	1				EN0	DG0		PULLEY, Power Steering Pump
		1				EN0	DBB		
15	05066938AA	2				EN0	DBB		PULLEY, Idler
		2				EN0	DG0		
16	05093938AA	1				EN0	DG0		SCREW
		1				EN0	DBB		
17	05093939AA	1				EN0	DG0		BRACKET, Alternator
		1				EN0	DBB		
18	05066930AA	2				EN0	DBB		PIN
		2				EN0	DG0		
19	55037467AB	1				EN0	DG0		COMPRESSOR, Air Conditioning
		1				EN0	DBB		
20									BOLT

LIBERTY (KJ)
SERIES **LINE**
P = Limited J = LHD (4WD)
H = Sport U = RHD (4WD)
M = Renegade T = LHD (2WD)

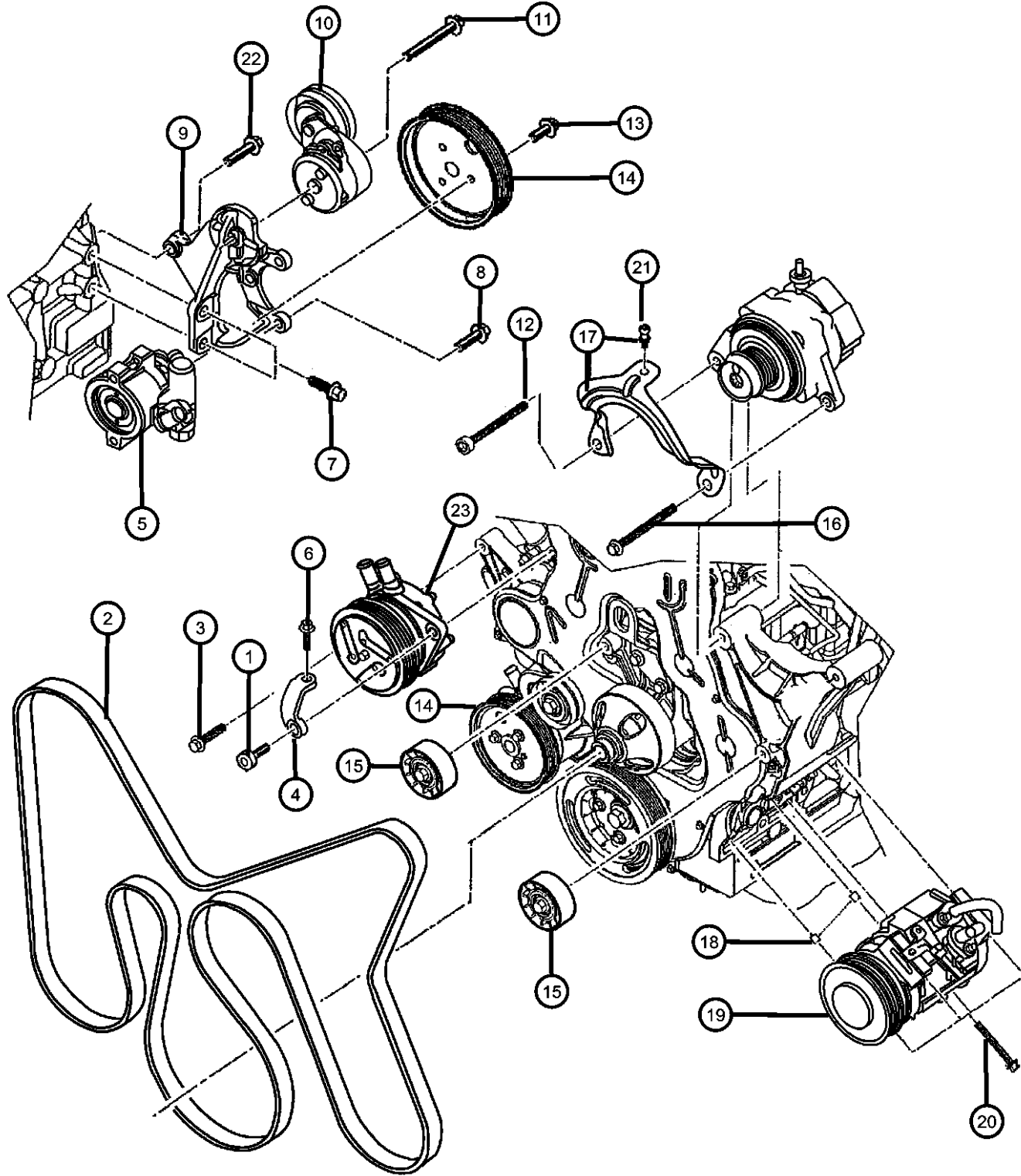
BODY
74 = 4 Door (104.3 WB)

ENGINE
ED1 = Engine - 2.4L 4 Cyl DOHC 16v SMPI
EKG = Engine - 3.7L V6
ENJ = Engine -2.5L 4 Cyl 16V Turbo Diesel
ENR = Engine - 2.8L 4 Cyl Turbo Diesel
EN0 = 4Cyl Turbo Diesel
EK0 = All 3.7L
ED0 = All 2.4L

TRANSMISSION
DDD = Transmission - 5-Speed HD Manual
DDK = Transmission - 5-Speed HD Manual
DG4 = Transmission-Multi-Speed Auto, 45RFE
DG6 = Transmission-4-Spd. Automatic, 42RLE
DGQ = Transmission-5-Spd Automatic 5-45RFE
DBB = All Manual Transmissions
DG0 = All Automatic Transmissions

AR = use ase required - = Non illustrated part

Drive Pulleys, 2.5,2.8L Diesel Engine
Figure 7-430



ITEM	PART NUMBER	QTY	LINE	SERIES	BODY	ENGINE	TRANS	TRIM	DESCRIPTION
	05015043AA	4				EN0	DBB		
		4				EN0	DG0		
21	05093941AA	1				EN0	DG0		SCREW
		1				EN0	DBB		
22	04897253AA	1				EN0	DG0		BOLT, Hex Flange Head, M10x35
		1				EN0	DBB		
23	55037539AA	1				EN0	DG0		HEATER, Engine
		1				EN0	DBB		

LIBERTY (KJ)

SERIES LINE
P = Limited J = LHD (4WD)
H = Sport U = RHD (4WD)
M = Renegade T = LHD (2WD)

BODY
74 = 4 Door (104.3 WB)

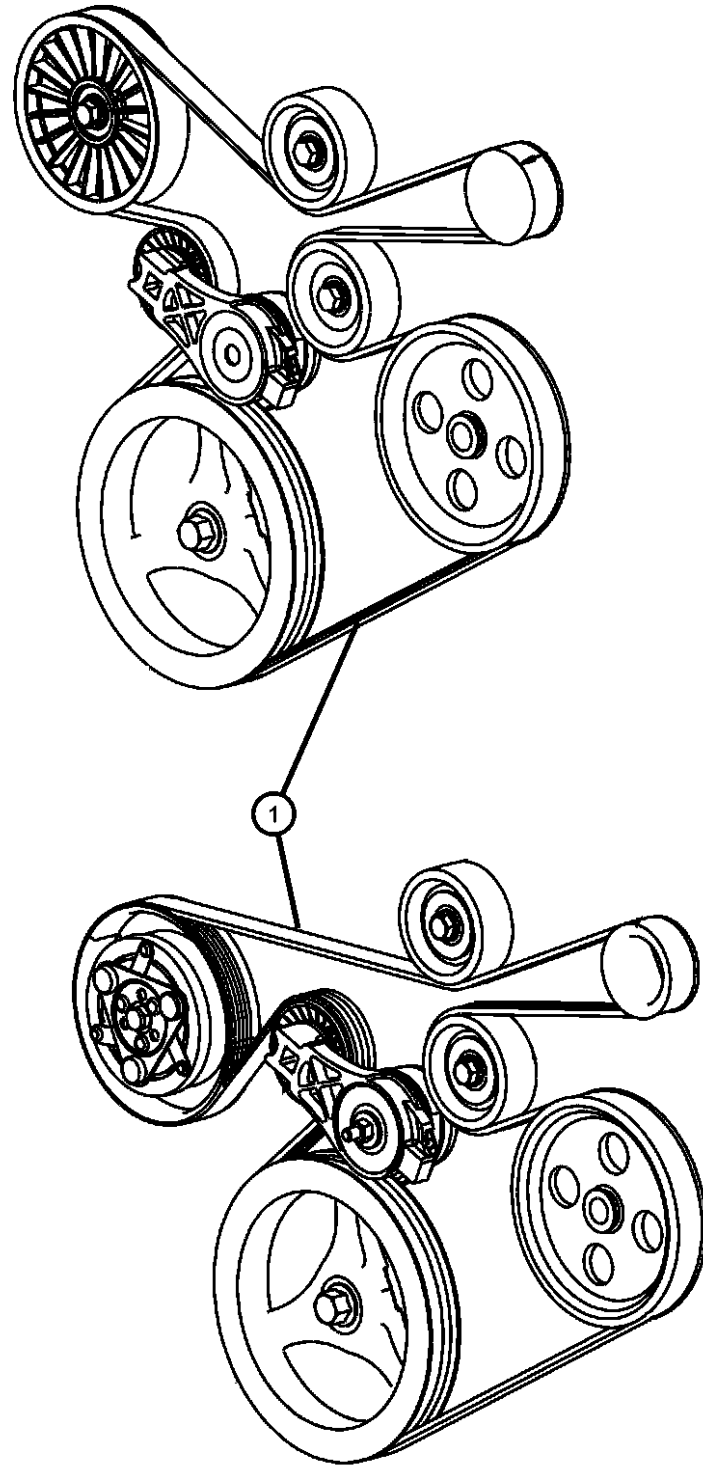
ENGINE
ED1 = Engine - 2.4L 4 Cyl DOHC 16v SMPI
EKG = Engine - 3.7L V6
ENJ = Engine -2.5L 4 Cyl 16V Turbo Diesel
ENR = Engine - 2.8L 4 Cyl Turbo Diesel
EN0 = 4Cyl Turbo Diesel
ED0 = All 2.4L

TRANSMISSION
DDD = Transmission - 5-Speed HD Manual
DDK = Transmission - 5-Speed HD Manual
DG4 = Transmission-Multi-Speed Auto, 45RFE
DG6 = Transmission-4-Spd. Automatic, 42RLE
DGQ = Transmission-5-Spd Automatic 5-45RFE
DBB = All Manual Transmissions
DG0 = All Automatic Transmissions

AR = use ase required - = Non illustrated part

2004 KJ

Drive Belts, 2.4L Engine
Figure 7-510



ITEM	PART NUMBER	QTY	LINE	SERIES	BODY	ENGINE	TRANS	TRIM	DESCRIPTION
------	-------------	-----	------	--------	------	--------	-------	------	-------------

Note; Sales Codes
[ED0]= All 2.2L, 2.5L, 2.4L, 4 Cylinder

1									BELT, Accessory Drive
	05281351AC	1				ED0			with Air Conditioning
	53013352AD	1				ED0			without Air Conditioning

LIBERTY (KJ)

SERIES

P = Limited
H = Sport
M = Renegade

LINE

J = LHD (4WD)
U = RHD (4WD)
T = LHD (2WD)

BODY

74 = 4 Door (104.3 WB)

ENGINE

ED1 = Engine - 2.4L 4 Cyl
DOHC 16v SMPI
EKG = Engine - 3.7L V6
ENJ = Engine -2.5L 4 Cyl 16V
Turbo Diesel
ENR = Engine - 2.8L 4 Cyl
Turbo Diesel
ENO = 4Cyl Turbo Diesel
EKO = All 3.7L
ED0 = All 2.4L

TRANSMISSION

DDD = Transmission - 5-Speed HD
Manual
DDK = Transmission - 5-Speed HD
Manual
DG4 = Transmission-Multi-Speed
Auto, 45RFE
DG6 = Transmission-4-Spd.
Automatic, 42RLE
DGQ = Transmission-5-Spd Automatic
5-45RFE
DBB = All Manual Transmissions
DG0 = All Automatic Transmissions

AR = use ase required - = Non illustrated part

2004 KJ

Drive Belts, 3.7L Engine
Figure 7-520

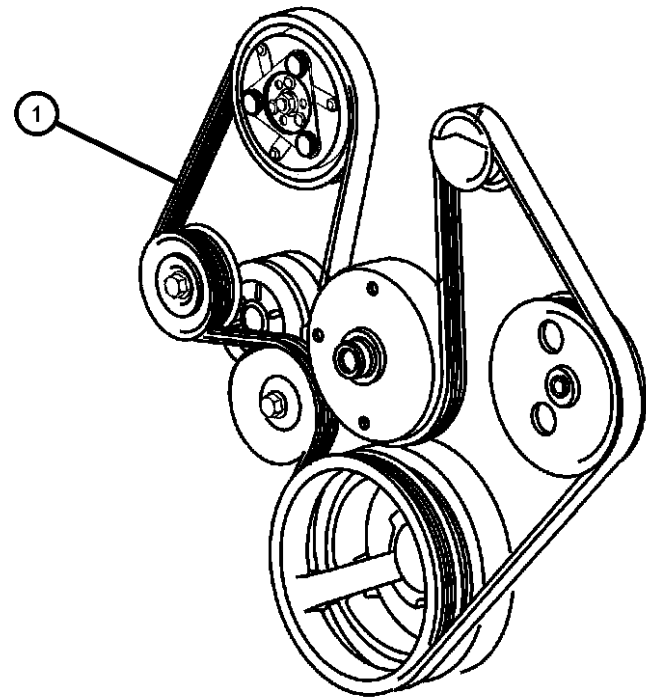
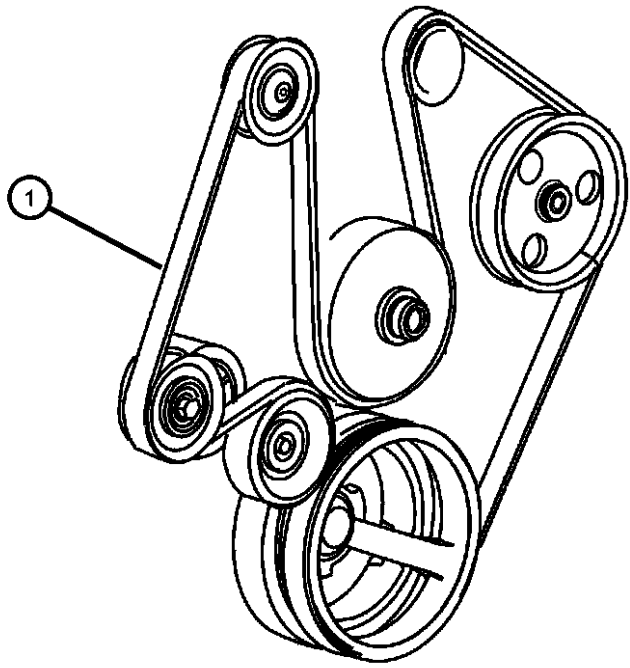
ITEM	PART NUMBER	QTY	LINE	SERIES	BODY	ENGINE	TRANS	TRIM	DESCRIPTION
------	-------------	-----	------	--------	------	--------	-------	------	-------------

Note; Sales Codes
[EK0]= All 3.7L, 6 Cylinder Gas Engines

1	53032037AJ	1							
---	------------	---	--	--	--	--	--	--	--

EK0

BELT, Accessory Drive, with or without Air Conditioning



LIBERTY (KJ)

SERIES	LINE
P = Limited	J = LHD (4WD)
H = Sport	U = RHD (4WD)
M = Renegade	T = LHD (2WD)

BODY
74 = 4 Door (104.3 WB)

ENGINE
ED1 = Engine - 2.4L 4 Cyl DOHC 16v SMPI
EKG = Engine - 3.7L V6
ENJ = Engine -2.5L 4 Cyl 16V Turbo Diesel
ENR = Engine - 2.8L 4 Cyl Turbo Diesel
ENO = 4Cyl Turbo Diesel
EK0 = All 3.7L
ED0 = All 2.4L

TRANSMISSION
DDD = Transmission - 5-Speed HD Manual
DDK = Transmission - 5-Speed HD Manual
DG4 = Transmission-Multi-Speed Auto, 45RFE
DG6 = Transmission-4-Spd. Automatic, 42RLE
DGQ = Transmission-5-Spd Automatic 5-45RFE
DBB = All Manual Transmissions
DG0 = All Automatic Transmissions

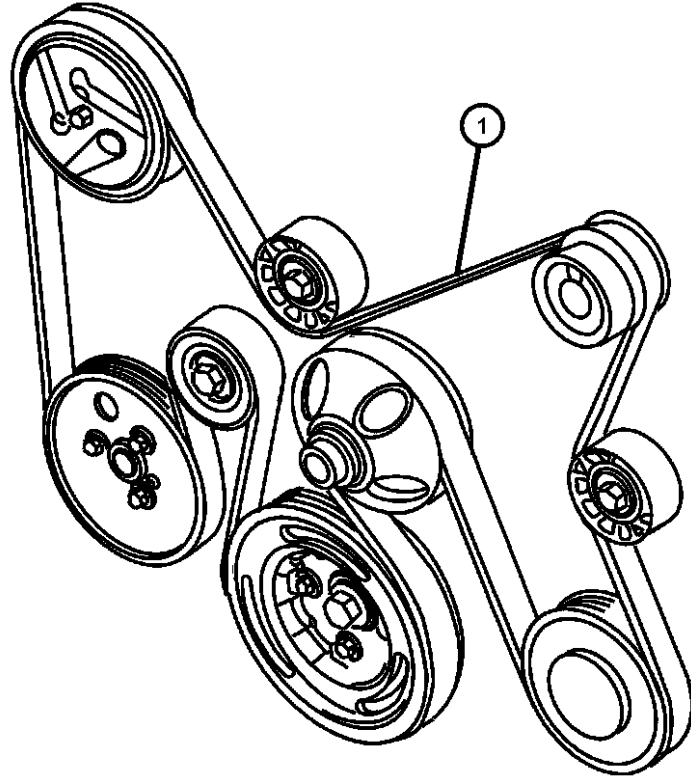
AR = use ase required - = Non illustrated part

**Drive Belts, 2.5,2.8L Diesel Engine
Figure 7-530**

ITEM	PART NUMBER	QTY	LINE	SERIES	BODY	ENGINE	TRANS	TRIM	DESCRIPTION
------	-------------	-----	------	--------	------	--------	-------	------	-------------

Note; Sales Codes
[EN0]= All 2..5L 4 Cylinder Diesel Engine

1									BELT, Accessory Drive
	05072437AB	1				EN0	DG0		
		1				EN0	DBB		



LIBERTY (KJ)

SERIES	LINE
P = Limited	J = LHD (4WD)
H = Sport	U = RHD (4WD)
M = Renegade	T = LHD (2WD)

BODY
74 = 4 Door (104.3 WB)

ENGINE
ED1 = Engine - 2.4L 4 Cyl
DOHC 16v SMPI
EKG = Engine - 3.7L V6
ENJ = Engine -2.5L 4 Cyl 16V
Turbo Diesel
ENR = Engine - 2.8L 4 Cyl
Turbo Diesel
EN0 = 4Cyl Turbo Diesel
EK0 = All 3.7L
ED0 = All 2.4L

TRANSMISSION
DDD = Transmission - 5-Speed HD
Manual
DDK = Transmission - 5-Speed HD
Manual
DG4 = Transmission-Multi-Speed
Auto, 45RFE
DG6 = Transmission-4-Spd.
Automatic, 42RLE
DGQ = Transmission-5-Spd Automatic
5-45RFE
DBB = All Manual Transmissions
DG0 = All Automatic Transmissions

AR = use ase required - = Non illustrated part

2004 KJ

**Oil Cooler Lines
Figure 7-610**

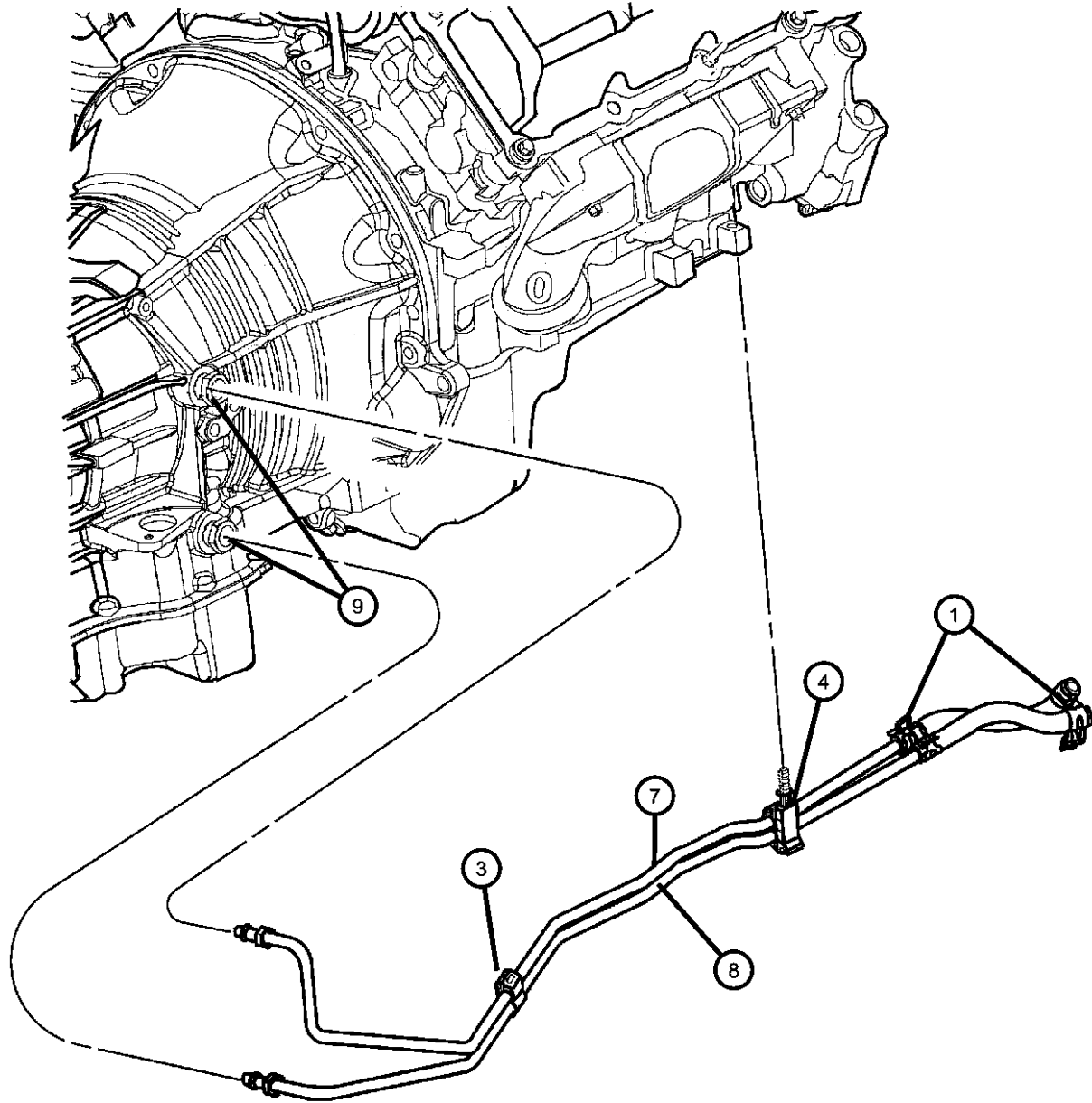
ITEM	PART NUMBER	QTY	LINE	SERIES	BODY	ENGINE	TRANS	TRIM	DESCRIPTION
------	-------------	-----	------	--------	------	--------	-------	------	-------------

Note; Sales Codes

[EK0]= All 3.7L, 6 Cylinder Gas Engines

[EN0]= All 2.5L 4 Cylinder Diesel Engine

1	52079632AA	2				EK0			CLAMP, Oil Cooler Tube
-2	06502081	1	J, U						CLAMP, Oil Cooler Line
3	04815987AB	1					DG6		CLIP, Oil Cooler Tube
4	52079878AB	1					DG6		CLIP, Oil Cooler Tube
-5	06033878	2					DG6		NUT, Flared Tube
-6	52079877AA	1				EN0	DG0		CLIP, Oil Cooler Tube
7									TUBE AND HOSE, Supply
	05103255AA	1					DG6		
	52079844AC	1				EN0	DG0		
8									TUBE AND HOSE, Return
	05103256AA	1					DG6		
	52079846AC	1				EN0	DG0		
9									NUT, Transmission Case
	04799433AB	2	J, U				DG6		
		2	T				DG6		



LIBERTY (KJ)

SERIES

P = Limited
H = Sport
M = Renegade

LINE

J = LHD (4WD)
U = RHD (4WD)
T = LHD (2WD)

BODY

74 = 4 Door (104.3 WB)

ENGINE

ED1 = Engine - 2.4L 4 Cyl
DOHC 16v SMPI
EKG = Engine - 3.7L V6
ENJ = Engine -2.5L 4 Cyl 16V
Turbo Diesel
ENR = Engine - 2.8L 4 Cyl
Turbo Diesel
EN0 = 4Cyl Turbo Diesel
EK0 = All 3.7L
ED0 = All 2.4L

TRANSMISSION

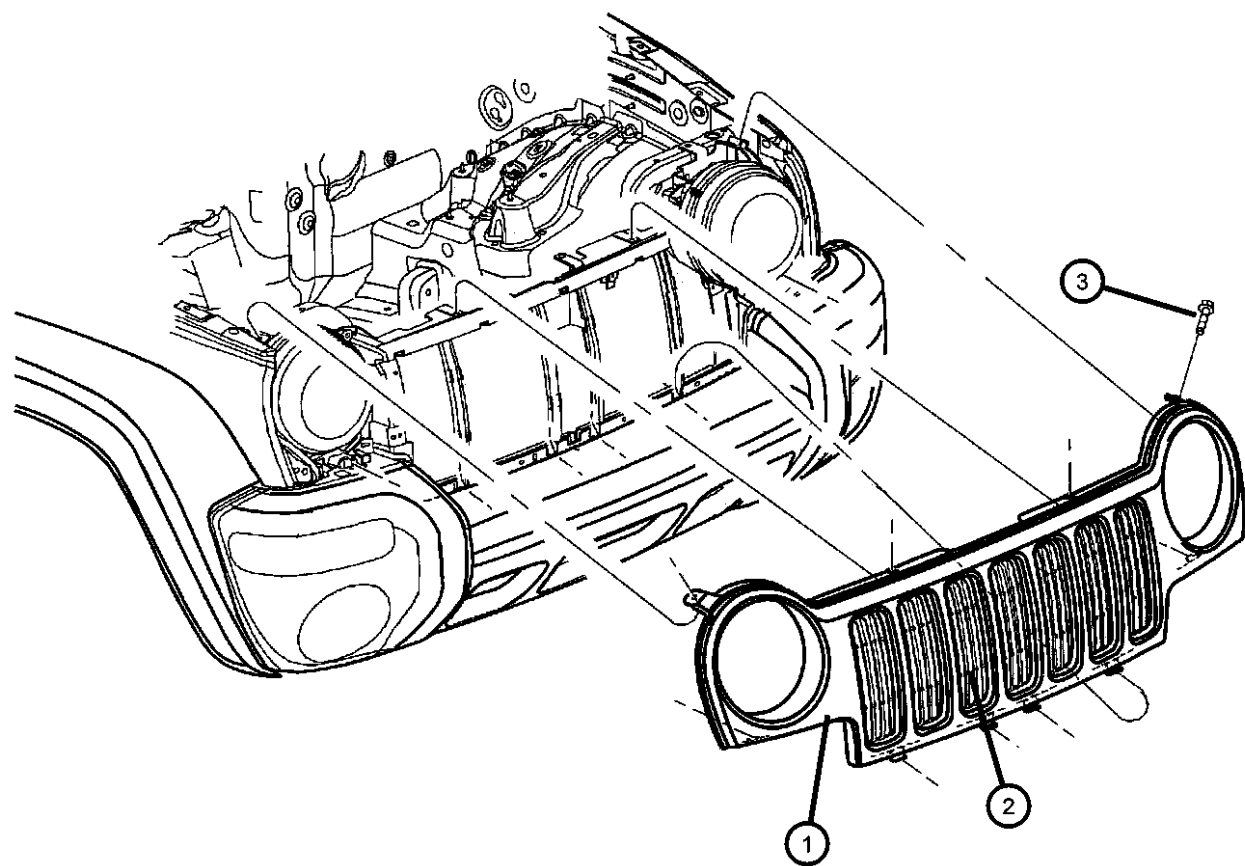
DDD = Transmission - 5-Speed HD
Manual
DDK = Transmission - 5-Speed HD
Manual
DG4 = Transmission-Multi-Speed
Auto, 45RFE
DG6 = Transmission-4-Spd.
Automatic, 42RLE
DGQ = Transmission-5-Spd Automatic
5-45RFE
DBB = All Manual Transmissions
DG0 = All Automatic Transmissions

AR = use ase required - = Non illustrated part

2004 KJ

**Grille and Related Parts
Figure 7-710**

ITEM	PART NUMBER	QTY	LINE	SERIES	BODY	ENGINE	TRANS	TRIM	DESCRIPTION
1	55156608AB	1							GRILLE, Radiator
2	55156609AB	1							GRILLE, Texture
3	06036366AA	4							SCREW, Tapping, .164-18x.75



LIBERTY (KJ)

SERIES	LINE
P = Limited	J = LHD (4WD)
H = Sport	U = RHD (4WD)
M = Renegade	T = LHD (2WD)

BODY
74 = 4 Door (104.3 WB)

ENGINE
ED1 = Engine - 2.4L 4 Cyl
DOHC 16v SMPI
EKG = Engine - 3.7L V6
ENJ = Engine -2.5L 4 Cyl 16V
Turbo Diesel
ENR = Engine - 2.8L 4 Cyl
Turbo Diesel
ENO = 4Cyl Turbo Diesel
EKO = All 3.7L
EDO = All 2.4L

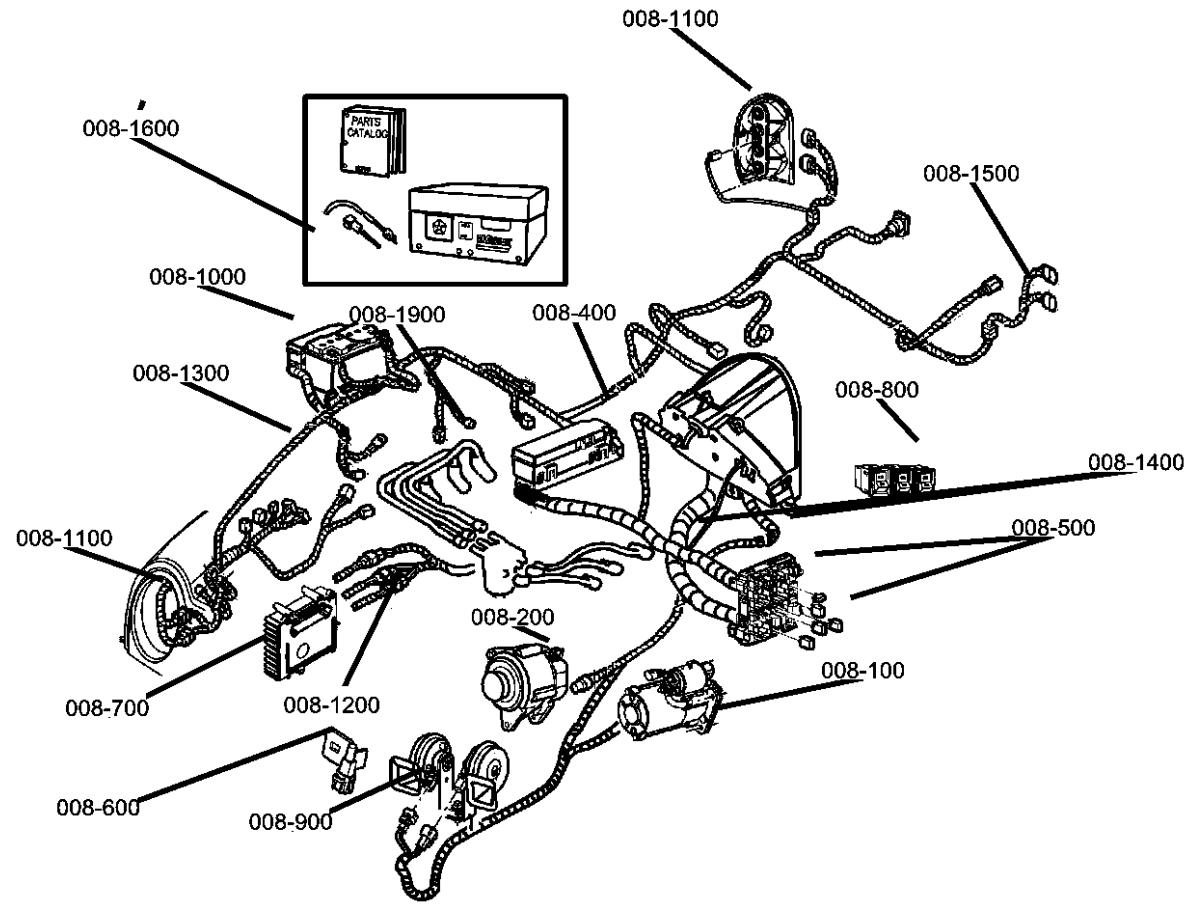
TRANSMISSION
DDD = Transmission - 5-Speed HD
Manual
DDK = Transmission - 5-Speed HD
Manual
DG4 = Transmission-Multi-Speed
Auto, 45RFE
DG6 = Transmission-4-Spd.
Automatic, 42RLE
DGQ = Transmission-5-Spd Automatic
5-45RFE
DBB = All Manual Transmissions
DG0 = All Automatic Transmissions

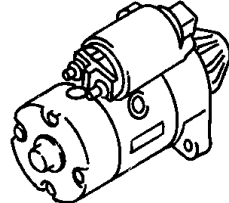
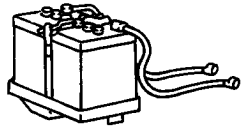
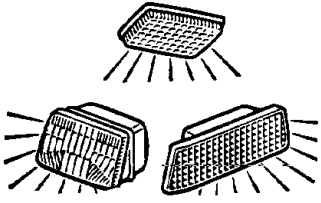
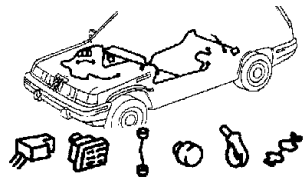

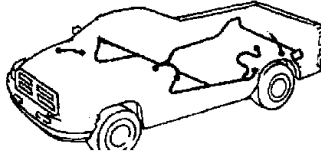

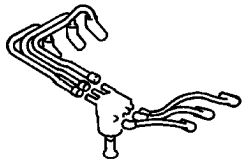
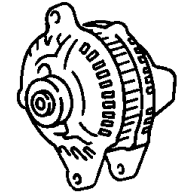
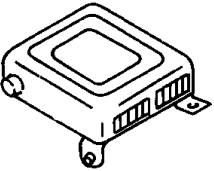
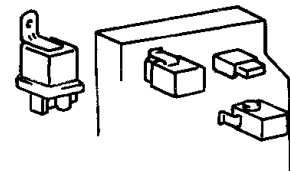
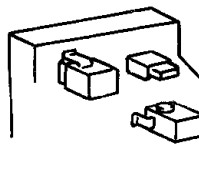
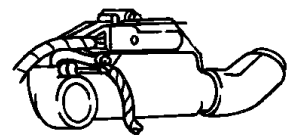
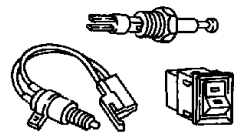
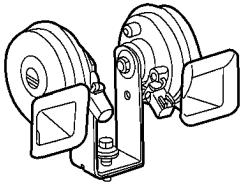
AR = use ase required - = Non illustrated part

2004 KJ

Group - 8

Electrical



008-100 Starters 	008-1000 Battery Tray and Cables 	008-1100 Lamps - Front, Rear and Courtesy 	008-1200 Wiring-Engine & Related Parts 
008-1300 Wiring-Headlamp to Dash 	008-1400 Wiring-Instrument Panel WIRING INSTR. PANEL	008-1500 Wiring-Body & Accessories 	008-1600 Wiring Repair WIRING REPAIR PKG.
008-1700 Air Bag Systems 	008-1900 Spark Plugs-Cables-Coils 	008-200 Alternators 	008-400 Modules 
008-500 Relays 	008-600 Sensors 	008-700 Single Board Engine Controllers 	008-800 Switches 
008-900 Horns 			

Group - 8 Electrical

Air Bags and Clock SpringFig. 8 - 1710

Spark Plugs-Cables-Coils

Spark Plug - CoilFig. 8 - 1910

Illustration Title

Group-Fig. No.

Starters

Starter and Mounting (2.4L Engine) [ED0] Fig. 8 - 105
Starter and Mounting (3.7L Engine) [EK0] Fig. 8 - 110
Starter and Mounting, 4.5L [EN0] Fig. 8 - 115

Alternators

Alternator (2.4L Engine) [ED0] Fig. 8 - 205
Alternator (3.7L Engine) [EK0] Fig. 8 - 210
Alternator (2.5L Diesel Engine) [EN0] Fig. 8 - 215

Modules

Modules Fig. 8 - 410

Relays

Junction Block, Relays, Circuit Breaker Fig. 8 - 510

Sensors

Sensor, Engine (2.4L Engine) [ED0] Fig. 8 - 605
Sensors, Engine (3.7L Engine) [EK0] Fig. 8 - 610
Sensors, Engine (2.5L Diesel) [EN0] Fig. 8 - 615
Sensors, Oxygen 2.4L [ED0] Fig. 8 - 620
Sensors, Oxygen 3.7L [EK0] Fig. 8 - 625
Sensor (Drive Train) Fig. 8 - 635
Sensor (Body) Fig. 8 - 640

Single Board Engine Controllers

JTEC Modules & Solenoids Fig. 8 - 710

Switches

Switches (Instrument Panel and Console) Fig. 8 - 810
Switches (Drive Train) Fig. 8 - 820
Switches (Body) Fig. 8 - 830

Horns

Horns Fig. 8 - 910

Battery Tray and Cables

Battery Tray & Cables Fig. 8 - 1010

Lamps - Front, Rear and Courtesy

Lamp, Front Fig. 8 - 1110
Lamps Roof (Renegade) Fig. 8 - 1115
Lamp, Rear Fig. 8 - 1120
Lamp, Courtesy Fig. 8 - 1130
Bulbs Fig. 8 - 1135

Wiring-Engine & Related Parts

Wiring, Engine & Related Parts Fig. 8 - 1210

Wiring-Headlamp to Dash

Wiring, Headlamp / Dash Fig. 8 - 1310

Wiring-Instrument Panel

Wiring Instrument Panel Fig. 8 - 1410

Wiring-Body & Accessories

Wiring, Body & Accessories Fig. 8 - 1510

Wiring Repair

Wiring, Repair Package Fig. 8 - 1610

Air Bag Systems

Air Bag Module and Sensors Fig. 8 - 1705

Starter and Mounting (2.4L Engine) [ED0]

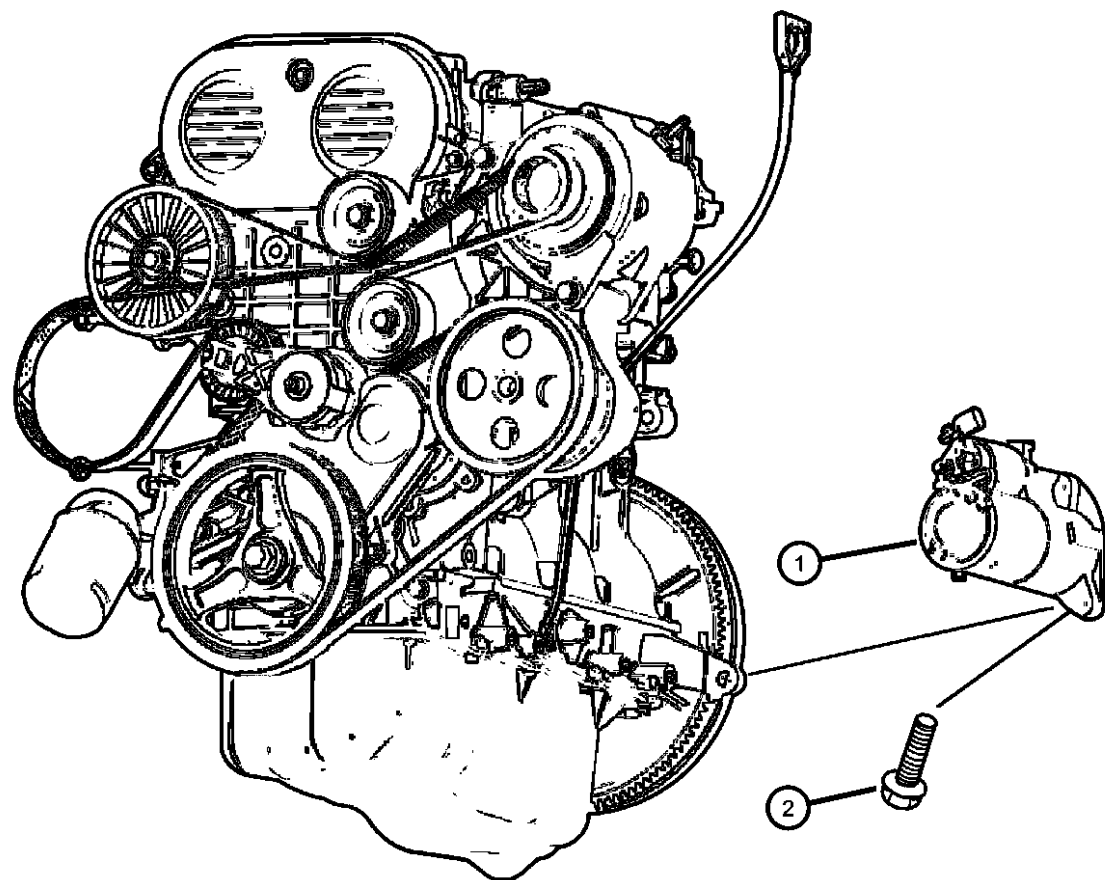
Figure 8-105

ITEM	PART NUMBER	QTY	LINE	SERIES	BODY	ENGINE	TRANS	TRIM	DESCRIPTION
------	-------------	-----	------	--------	------	--------	-------	------	-------------

Notes:

[ED0] = 2.4L 4 Cylinder Engine

1	56041436AC	1				ED0			STARTER
2	06102120AA	2				ED0, EK0			SCREW AND WASHER, Hex Head, Starter mounting



LIBERTY (KJ)

SERIES	LINE
P = Limited	J = LHD (4WD)
H = Sport	U = RHD (4WD)
M = Renegade	T = LHD (2WD)

BODY
74 = 4 Door (104.3 WB)

ENGINE	TRANSMISSION
ED1 = Engine - 2.4L 4 Cyl DOHC 16v SMPI	DDD = Transmission - 5-Speed HD Manual
EKG = Engine - 3.7L V6	DDK = Transmission - 5-Speed HD Manual
ENJ = Engine -2.5L 4 Cyl 16V Turbo Diesel	DG4 = Transmission-Multi-Speed Auto, 45RFE
ENR = Engine - 2.8L 4 Cyl Turbo Diesel	DG6 = Transmission-4-Spd. Automatic, 42RLE
ENO = 4Cyl Turbo Diesel	DGQ = Transmission-5-Spd Automatic 5-45RFE
EK0 = All 3.7L	DBB = All Manual Transmissions
ED0 = All 2.4L	DG0 = All Automatic Transmissions

AR = use ase required - = Non illustrated part

2004 KJ

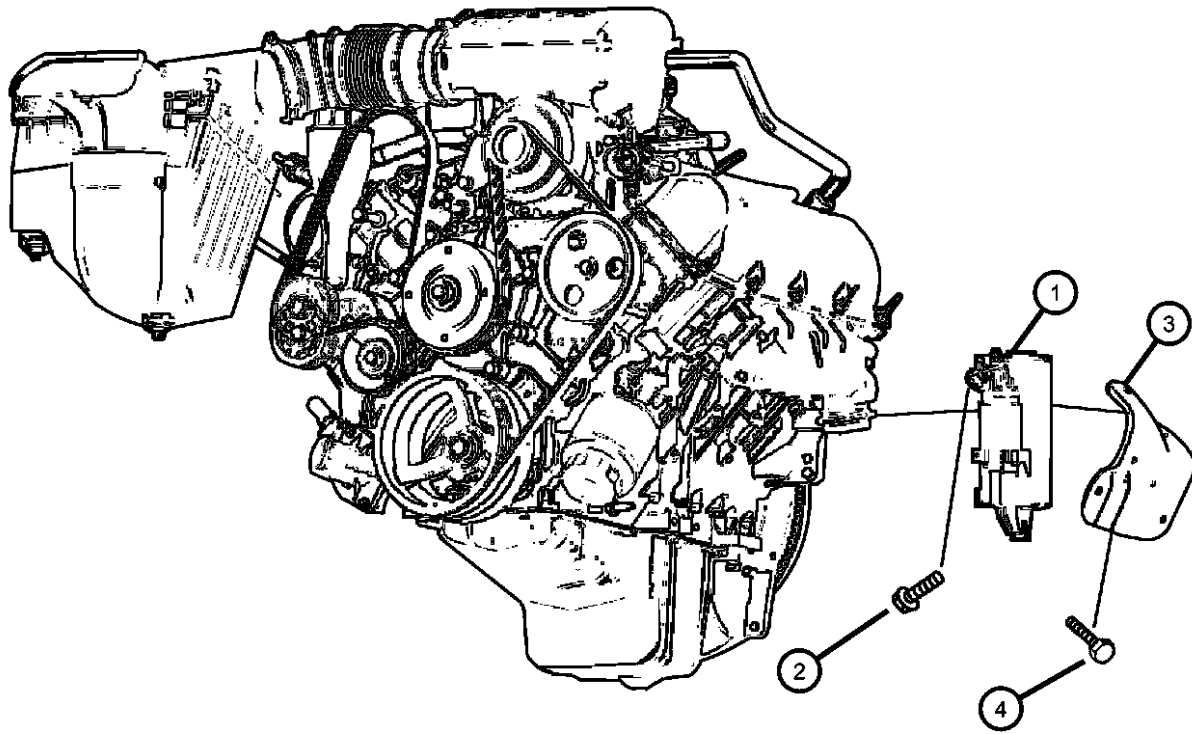
**Starter and Mounting (3.7L Engine) [EK0]
Figure 8-110**

ITEM	PART NUMBER	QTY	LINE	SERIES	BODY	ENGINE	TRANS	TRIM	DESCRIPTION
------	-------------	-----	------	--------	------	--------	-------	------	-------------

Notes:

[EK0]=3.7L V6 Engine
[ED0] = 2.4L 4 Cylinder Engine

1	56041641AF	1				EK0			STARTER
2	06102120AA	2				ED0, EK0			SCREW AND WASHER, Hex Head, Starter mounting SHIELD, Starter
3	56044116AC	1				EK0			SCREW, Hex Flange Head, M12X1.75X110.00, M6x1x12, (NOT SERVICED)
4	56044116AC	1							



LIBERTY (KJ)

SERIES	LINE
P = Limited	J = LHD (4WD)
H = Sport	U = RHD (4WD)
M = Renegade	T = LHD (2WD)

BODY
74 = 4 Door (104.3 WB)

ENGINE	TRANSMISSION
ED1 = Engine - 2.4L 4 Cyl DOHC 16v SMPI	DDD = Transmission - 5-Speed HD Manual
EKG = Engine - 3.7L V6	DDK = Transmission - 5-Speed HD Manual
ENJ = Engine -2.5L 4 Cyl 16V Turbo Diesel	DG4 = Transmission-Multi-Speed Auto, 45RFE
ENR = Engine - 2.8L 4 Cyl Turbo Diesel	DG6 = Transmission-4-Spd. Automatic, 42RLE
ENO = 4Cyl Turbo Diesel	DGQ = Transmission-5-Spd Automatic 5-45RFE
EK0 = All 3.7L	DBB = All Manual Transmissions
ED0 = All 2.4L	DG0 = All Automatic Transmissions

AR = use ase required - = Non illustrated part

2004 KJ

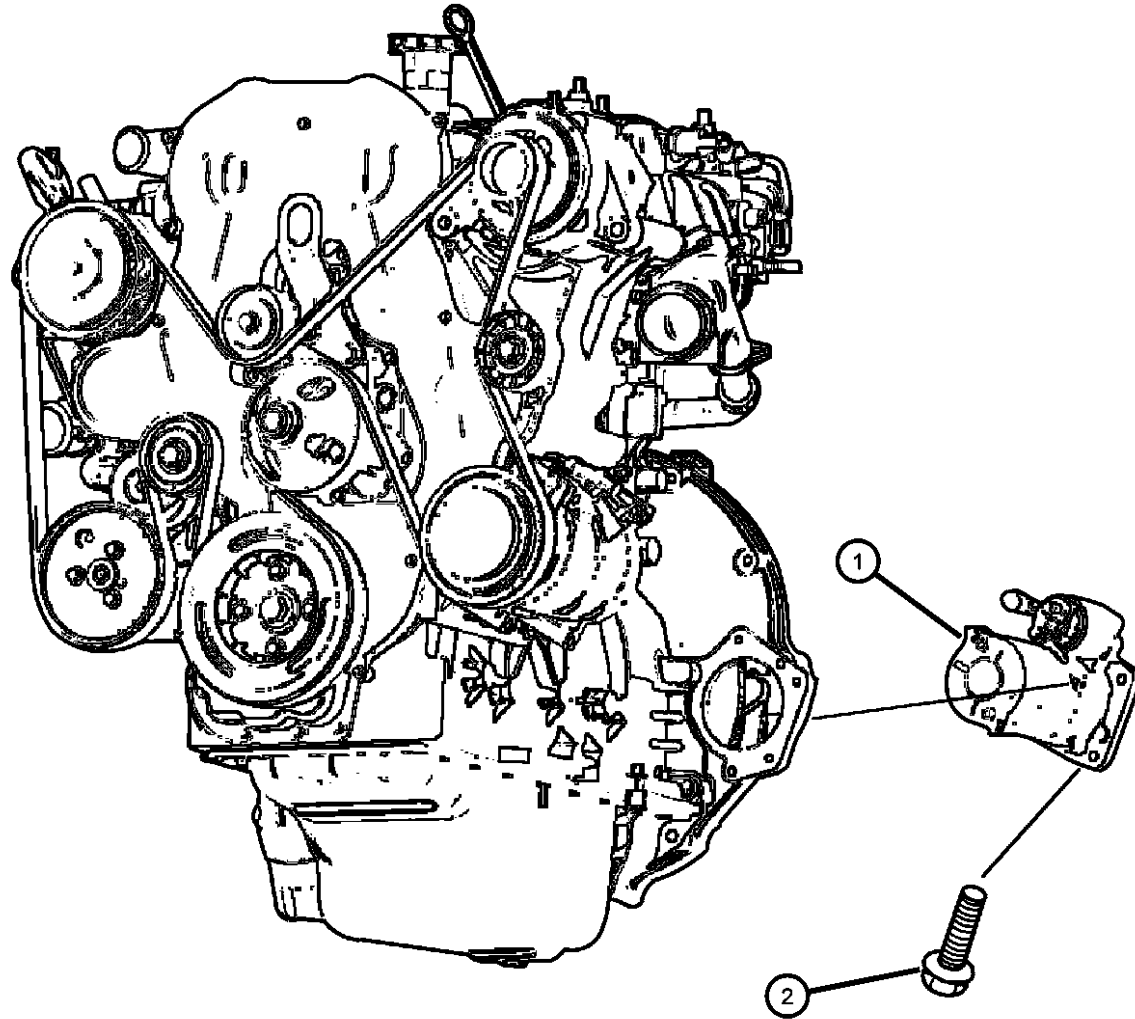
**Starter and Mounting, 4.5L [EN0]
Figure 8-115**

ITEM	PART NUMBER	QTY	LINE	SERIES	BODY	ENGINE	TRANS	TRIM	DESCRIPTION
------	-------------	-----	------	--------	------	--------	-------	------	-------------

Notes:

[EN0] = 2.5L Diesel Engine
[DG0] = All Automatic Transmissions
[DBB] = All Manual Transmissions

1	56041579AB	1				EN0			STARTER
2	06504171	3				EN0			SCREW, Hex Flange Head, M8x1.25x32
-3									WASHER, Starter
	04723279	1				EN0	DG0		
		1				EN0	DBB		



LIBERTY (KJ)

SERIES

P = Limited
H = Sport
M = Renegade

LINE

J = LHD (4WD)
U = RHD (4WD)
T = LHD (2WD)

BODY

74 = 4 Door (104.3 WB)

ENGINE

ED1 = Engine - 2.4L 4 Cyl DOHC 16v SMPI
EKG = Engine - 3.7L V6
ENJ = Engine -2.5L 4 Cyl 16V Turbo Diesel
ENR = Engine - 2.8L 4 Cyl Turbo Diesel
EN0 = 4Cyl Turbo Diesel
ED0 = All 2.4L

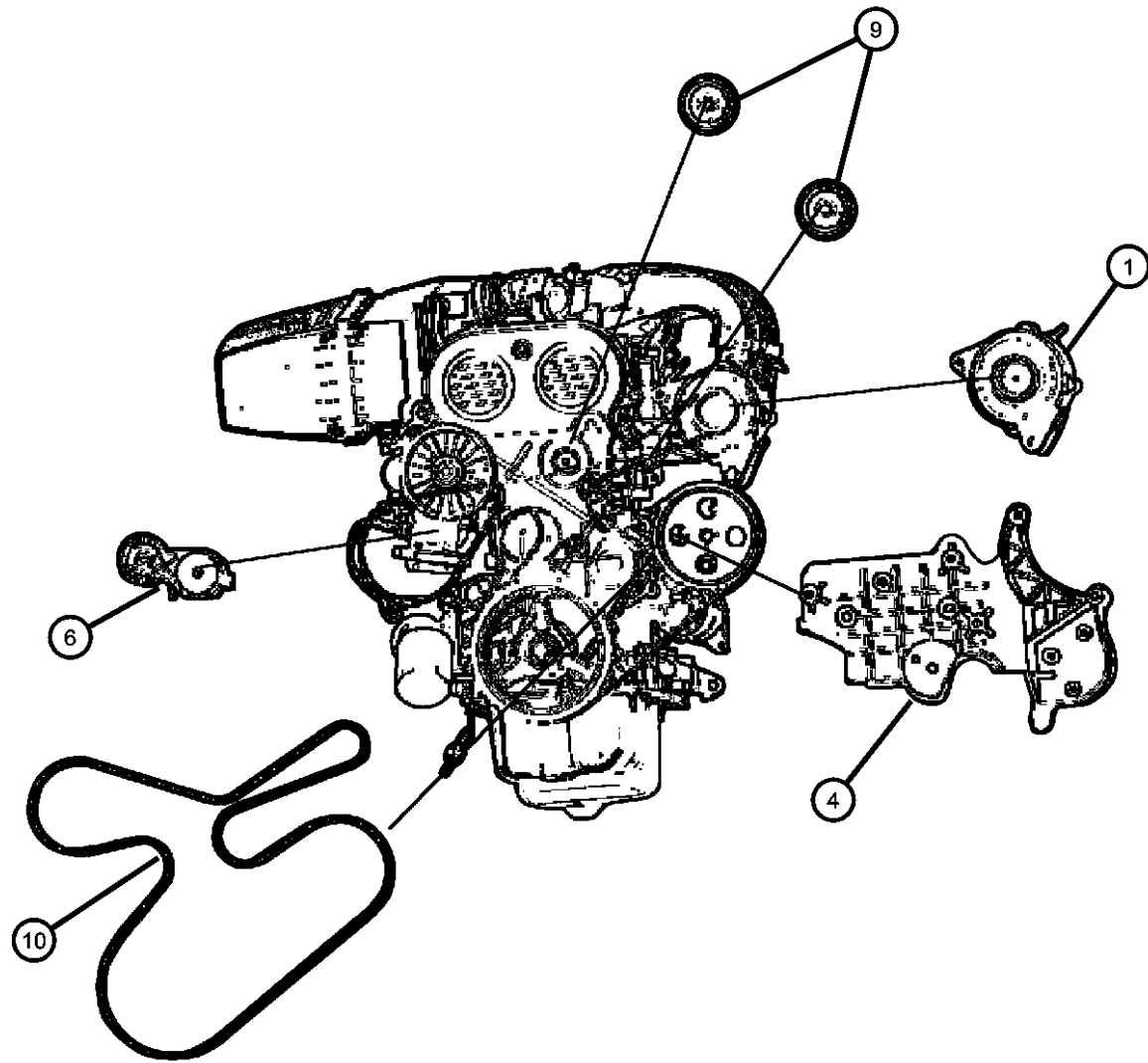
TRANSMISSION

DDD = Transmission - 5-Speed HD Manual
DDK = Transmission - 5-Speed HD Manual
DG4 = Transmission-Multi-Speed Auto, 45RFE
DG6 = Transmission-4-Spd. Automatic, 42RLE
DGQ = Transmission-5-Spd Automatic 5-45RFE
DBB = All Manual Transmissions
DG0 = All Automatic Transmissions

AR = use ase required - = Non illustrated part

2004 KJ

**Alternator (2.4L Engine) [ED0]
Figure 8-205**



ITEM	PART NUMBER	QTY	LINE	SERIES	BODY	ENGINE	TRANS	TRIM	DESCRIPTION
Notes: [ED0] = 2.4L 4 Cylinder Engine									
1	56044532AC	1				ED0			ALTERNATOR, 136 Amp
-2	06102120AA	1				ED0			SCREW AND WASHER, Hex Head, Alternator Mounting
-3	06506737AA	2				ED0			SCREW, Alternator Bracket, Bracket to Block
4	04861371AA	1				ED0			BRACKET, Alternator
-5	06506990AA	3				ED0			SCREW, Hex Head, M10x1.5x40, Alternator Bracket to Block
6	04861277AB	1				ED0			TENSIONER, Belt
-7	06506991AA	1				ED0			STUD, Alternator, Tensioner Mounting
-8	06102167AA	1				ED0			NUT AND WASHER
9	53013324AA	2				ED0			PULLEY, Idler
10									BELT, Accessory Drive
	05281351AC	1				ED0			without Air Conditioning
	53013352AD	1				ED0			with Air Conditioning
-11	53013352AD	1							PULLEY, Alternator, Serviced in Alternator Assembly, (NOT SERVICED),
-12	53013352AD	1							CAP, Alternator Pulley, Serviced in Alternator Assembly, (NOT SERVICED)
-13	34202781	1				ED0			SCREW Idler Pulley

LIBERTY (KJ)				
SERIES	LINE	BODY	ENGINE	TRANSMISSION
P = Limited	J = LHD (4WD)	74 = 4 Door (104.3 WB)	ED1 = Engine - 2.4L 4 Cyl DOHC 16v SMPI	DDD = Transmission - 5-Speed HD Manual
H = Sport	U = RHD (4WD)		EKG = Engine - 3.7L V6	DDK = Transmission - 5-Speed HD Manual
M = Renegade	T = LHD (2WD)		ENJ = Engine -2.5L 4 Cyl 16V Turbo Diesel	DG4 = Transmission-Multi-Speed Auto, 45RFE
			ENR = Engine - 2.8L 4 Cyl Turbo Diesel	DG6 = Transmission-4-Spd. Automatic, 42RLE
			ENO = 4Cyl Turbo Diesel	DGQ = Transmission-5-Spd Automatic 5-45RFE
			EK0 = All 3.7L	DBB = All Manual Transmissions
			ED0 = All 2.4L	DG0 = All Automatic Transmissions

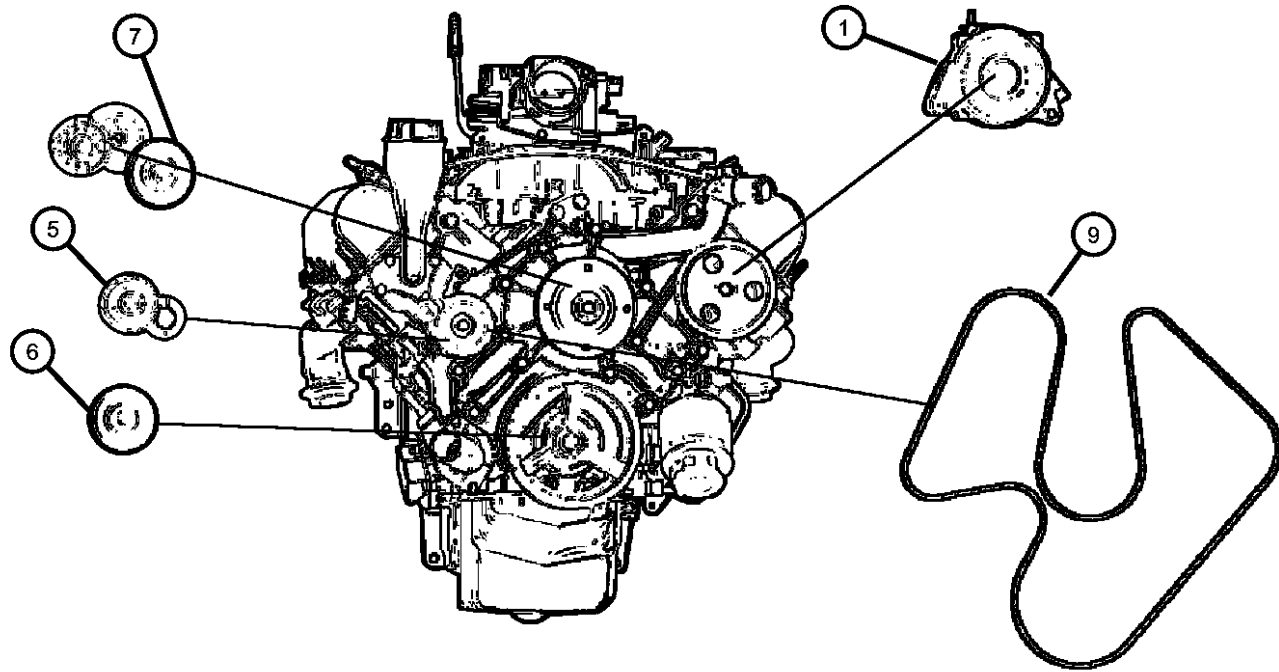
AR = use ase required - = Non illustrated part

**Alternator (3.7L Engine) [EK0]
Figure 8-210**

ITEM	PART NUMBER	QTY	LINE	SERIES	BODY	ENGINE	TRANS	TRIM	DESCRIPTION
------	-------------	-----	------	--------	------	--------	-------	------	-------------

Notes:
[ED0]=2.4L 4 Cylinder Engine
[EK0] = 3.7L V6 Engine

1									ALTERNATOR
	56029914AA	1		M		EK0			160 Amp
	56041693AC	1		H, P		EK0			136 Amp
-2	06102120AA	2				ED0, EK0			SCREW AND WASHER, Hex Head
-3	06504344	1				EK0			SCREW AND WASHER, Hex Head, Alternator to Front Cover Attaching
-4	06505482AA	1				EK0			SCREW AND WASHER, Hex Head, M8x1.25x50, Alternator to Cylinder Head
5	53030959	1				EK0			BRACKET, Idler Pulley
6	53031045	1				EK0			PULLEY, Idler
7	53030958AD	1				EK0			TENSIONER, Alternator Belt
-8	06505488AA	1				EK0			SCREW AND WASHER, Hex, Alternator to Front Cover attaching
9	53032037AJ	1				EK0			BELT, Accessory Drive



LIBERTY (KJ)

SERIES	LINE
P = Limited	J = LHD (4WD)
H = Sport	U = RHD (4WD)
M = Renegade	T = LHD (2WD)

BODY
74 = 4 Door (104.3 WB)

ENGINE
ED1 = Engine - 2.4L 4 Cyl DOHC 16v SMPI
EKG = Engine - 3.7L V6
ENJ = Engine -2.5L 4 Cyl 16v Turbo Diesel
ENR = Engine - 2.8L 4 Cyl Turbo Diesel
ENO = 4Cyl Turbo Diesel
EK0 = All 3.7L
ED0 = All 2.4L

TRANSMISSION
DDD = Transmission - 5-Speed HD Manual
DDK = Transmission - 5-Speed HD Manual
DG4 = Transmission-Multi-Speed Auto, 45RFE
DG6 = Transmission-4-Spd. Automatic, 42RLE
DGQ = Transmission-5-Spd Automatic 5-45RFE
DBB = All Manual Transmissions
DG0 = All Automatic Transmissions

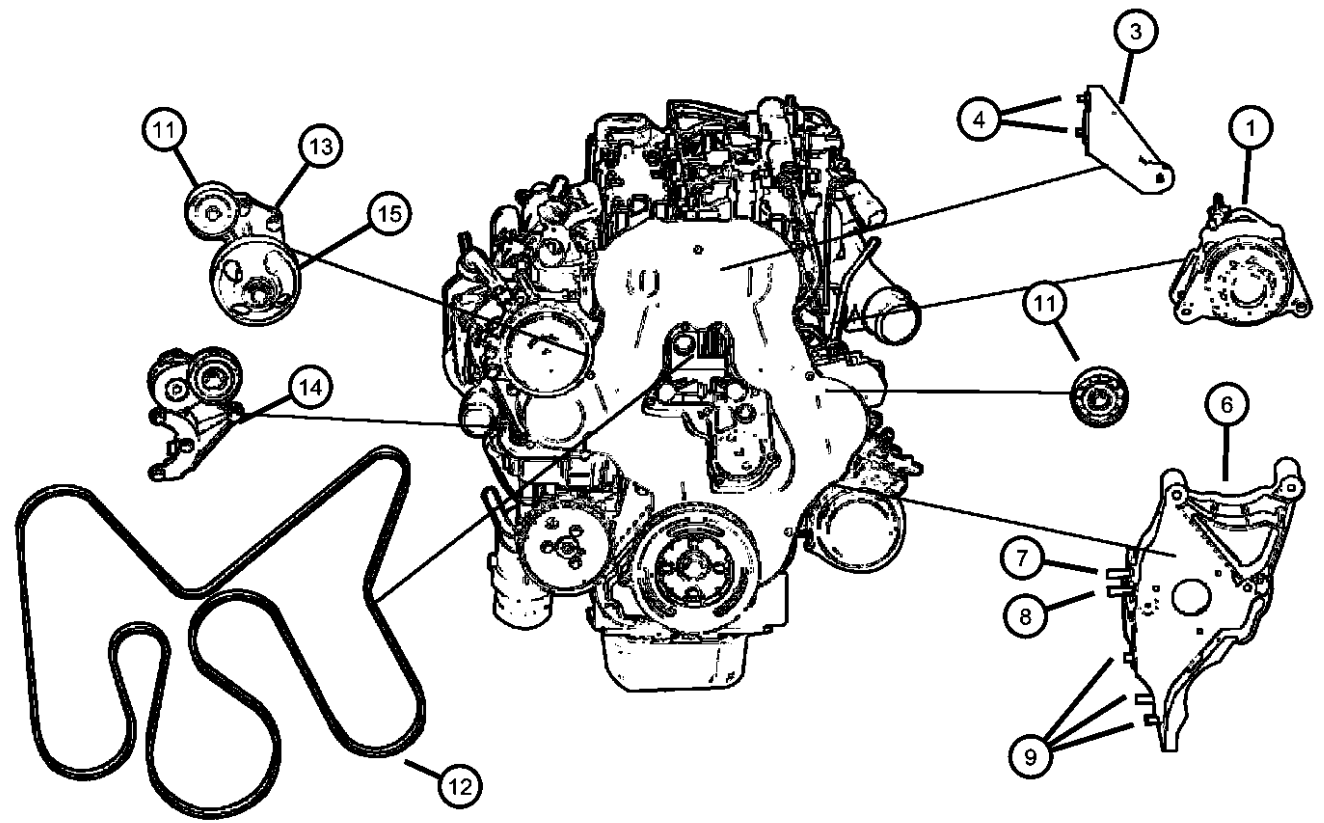
AR = use ase required - = Non illustrated part

2004 KJ

**Alternator (2.5L Diesel Engine) [EN0]
Figure 8-215**

ITEM	PART NUMBER	QTY	LINE	SERIES	BODY	ENGINE	TRANS	TRIM	DESCRIPTION
1	56041578AE	1				EN0	DG0		ALTERNATOR
		1				EN0	DBB		
-2	05015067AA	1				EN0	DG0		BOLT, Hex Flange Head
		1				EN0	DBB		
3	53013495AA	1				EN0			BRACKET, Alternator
4	06501474	3				EN0			BOLT, Hex Head, M8x1.25x16
-5	06502696	1				EN0			NUT, Hex Flange Lock, M14x1.50
6	05072753AA	1				EN0	DG0		BRACKET
		1				EN0	DBB		
7	05003724AA	1				EN0	DG0		SCREW
		1				EN0	DBB		
8	05003532AA	4				EN0	DBB		BOLT, Adaptor Plate
		4				EN0	DG0		
9	05066939AA	3				EN0	DG0		SCREW
-10	05066862AA	2				EN0	DBB		PIN
		2				EN0	DG0		Alignment Pin for Mounting Bracket
		2				EN0	DG0		Alignment Pin for Mounting Bracket
11	05066938AA	2				EN0	DBB		PULLEY, Idler
		2				EN0	DG0		
12									BELT, Accessory Drive

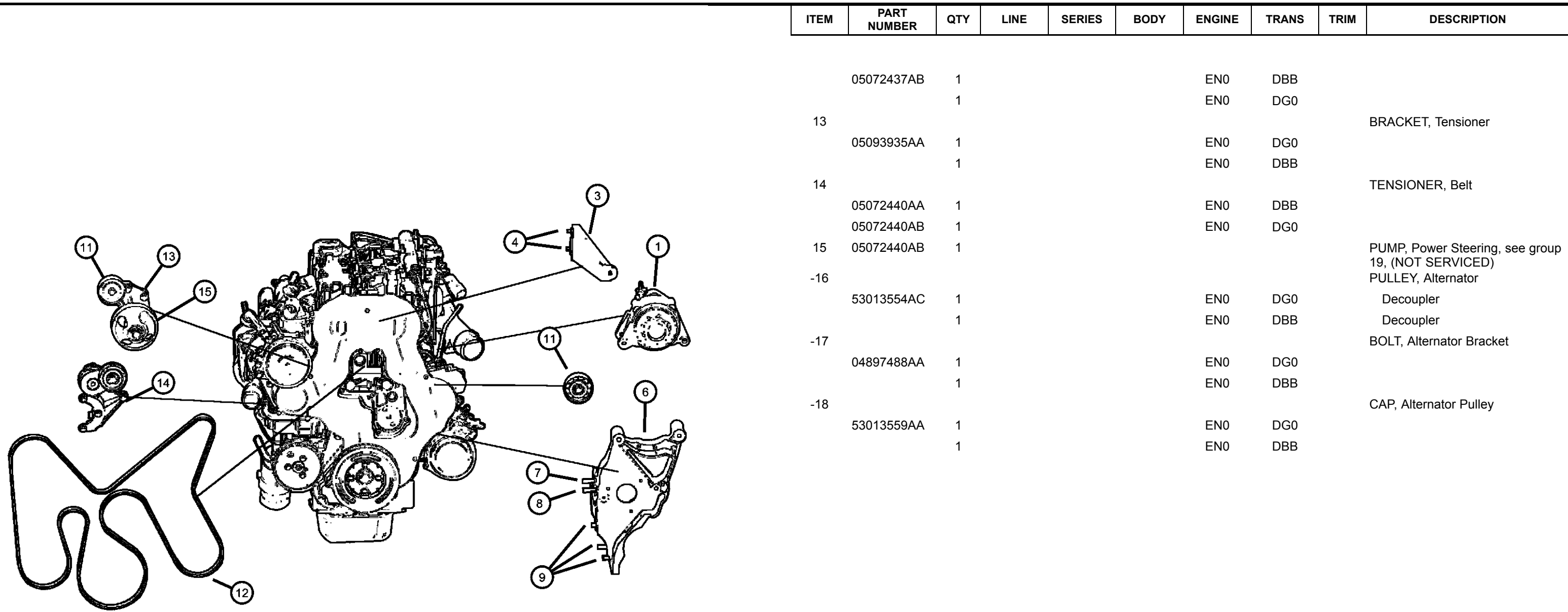
Notes:
 [EN0]=All 4/5 Cylinder Turbo Diesel Engines
 [DBB]=All Manual Transmissions
 [DG0]=All Automatic Transmissions



LIBERTY (KJ)				
SERIES	LINE	BODY	ENGINE	TRANSMISSION
P = Limited	J = LHD (4WD)	74 = 4 Door (104.3 WB)	ED1 = Engine - 2.4L 4 Cyl DOHC 16v SMPI	DDD = Transmission - 5-Speed HD Manual
H = Sport	U = RHD (4WD)		EKG = Engine - 3.7L V6	DDK = Transmission - 5-Speed HD Manual
M = Renegade	T = LHD (2WD)		ENJ = Engine -2.5L 4 Cyl 16V Turbo Diesel	DG4 = Transmission-Multi-Speed Auto, 45RFE
			ENR = Engine - 2.8L 4 Cyl Turbo Diesel	DG6 = Transmission-4-Spd. Automatic, 42RLE
			EN0 = 4Cyl Turbo Diesel	DGQ = Transmission-5-Spd Automatic 5-45RFE
			EK0 = All 3.7L	DBB = All Manual Transmissions
			ED0 = All 2.4L	DG0 = All Automatic Transmissions

AR = use ase required - = Non illustrated part

Alternator (2.5L Diesel Engine) [EN0]
Figure 8-215



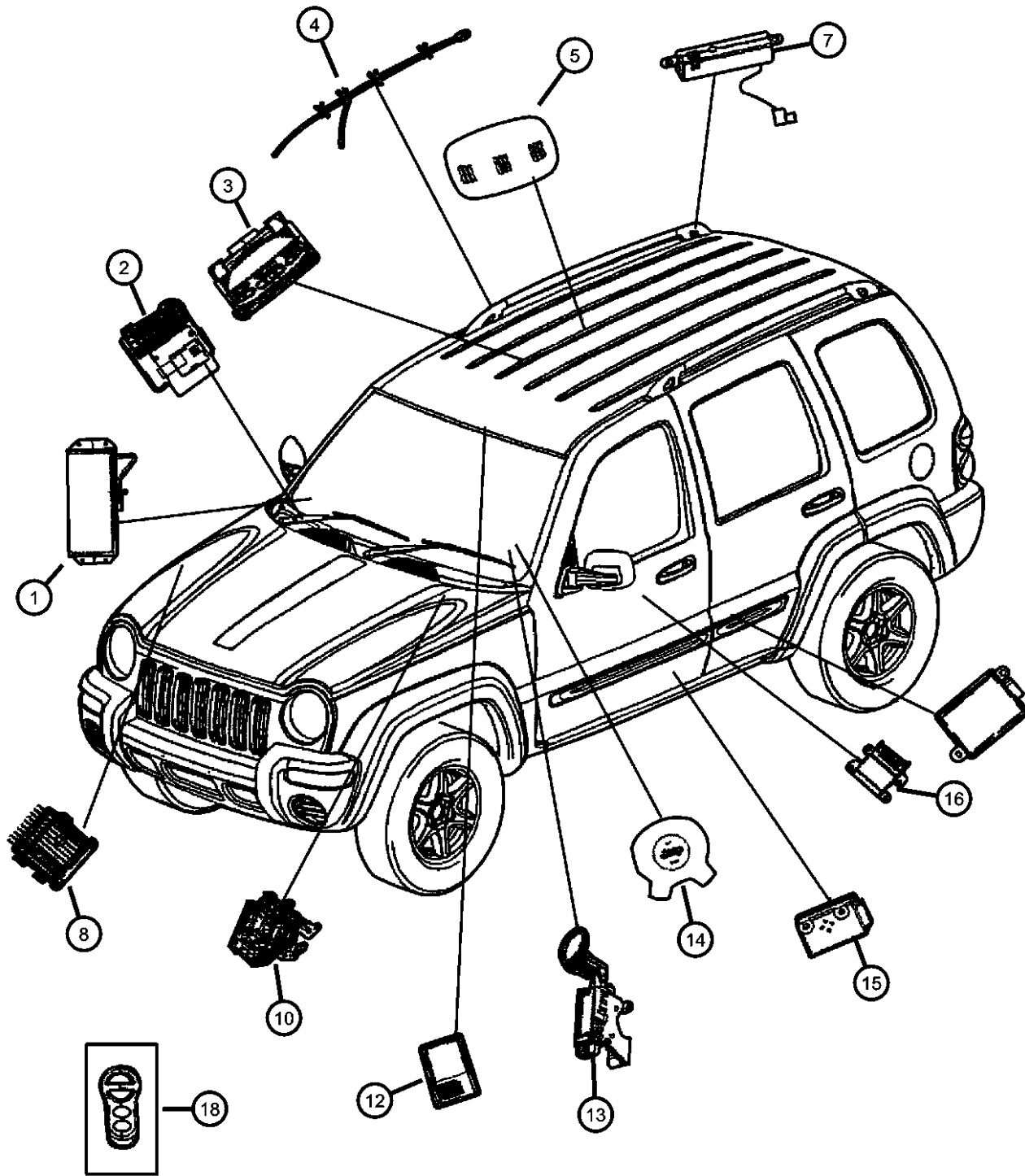
ITEM	PART NUMBER	QTY	LINE	SERIES	BODY	ENGINE	TRANS	TRIM	DESCRIPTION
	05072437AB	1				EN0	DBB		
		1				EN0	DG0		
13									BRACKET, Tensioner
	05093935AA	1				EN0	DG0		
		1				EN0	DBB		
14									TENSIONER, Belt
	05072440AA	1				EN0	DBB		
	05072440AB	1				EN0	DG0		
15	05072440AB	1							PUMP, Power Steering, see group 19, (NOT SERVICED)
-16									PULLEY, Alternator
	53013554AC	1				EN0	DG0		Decoupler
		1				EN0	DBB		Decoupler
-17									BOLT, Alternator Bracket
	04897488AA	1				EN0	DG0		
		1				EN0	DBB		
-18									CAP, Alternator Pulley
	53013559AA	1				EN0	DG0		
		1				EN0	DBB		

LIBERTY (KJ)

SERIES	LINE	BODY	ENGINE	TRANSMISSION
P = Limited	J = LHD (4WD)	74 = 4 Door (104.3 WB)	ED1 = Engine - 2.4L 4 Cyl DOHC 16v SMPI	DDD = Transmission - 5-Speed HD Manual
H = Sport	U = RHD (4WD)		EKG = Engine - 3.7L V6	DDK = Transmission - 5-Speed HD Manual
M = Renegade	T = LHD (2WD)		ENJ = Engine -2.5L 4 Cyl 16V Turbo Diesel	DG4 = Transmission-Multi-Speed Auto, 45RFE
			ENR = Engine - 2.8L 4 Cyl Turbo Diesel	DG6 = Transmission-4-Spd. Automatic, 42RLE
			EN0 = 4Cyl Turbo Diesel	DGQ = Transmission-5-Spd Automatic 5-45RFE
			EK0 = All 3.7L	DBB = All Manual Transmissions
			ED0 = All 2.4L	DG0 = All Automatic Transmissions

AR = use ase required - = Non illustrated part

Modules
Figure 8-410



ITEM	PART NUMBER	QTY	LINE	SERIES	BODY	ENGINE	TRANS	TRIM	DESCRIPTION
1	55315103AA	1							AIR BAG, Passenger
2									MODULE, Body Controller
	05104692AE	1							[GWA,GXM,LNJ,RSP]
	05104693AE	1							Europe
		1							MODULE, Overhead Console
3	56010437AA	1	J, U						EVIC without Universal Garage Door Opener (With Sunroof)
		1	J, U						EVIC without Universal Garage Door Opener (Without Sunroof)
	56010438AB	1	J, T						EVIC with Universal Garage Door Opener (Without Sunroof)
		1	J, T						EVIC with Universal Garage Door Opener (With Sunroof)
4									AIR BAG, Side Curtain
	55315018AH	1							Up to 07/21/03, Right
	55315019AH	1							Up to 07/21/03, Left
	55315098AA	1							After 07/21/03, Right
	55315099AA	1							After 07/21/03, Left
5									MODULE, Intrusion
	5GV82TL2AG	1							Export
		1	J, U						Export
-6									RETAINER, Electronic Module
	56010331AB	1	J, U						Export
		1							Export
7									ANTENNA
	56038526AE	1							

Notes:

[EKG]=3.7L 6 Cylinder Engine
 [EN0]= All 4/5 Cylinder Turbo Diesel Engine
 [DG0]=All Automatic Transmissions
 [DG4] =Multi-Speed Automatic Transmissions
 [DG6]=All 4 Speed Automatic Transmissions
 [DGQ]=All 5 Speed Automatic Transmissions

LIBERTY (KJ)

SERIES LINE
 P = Limited J = LHD (4WD)
 H = Sport U = RHD (4WD)
 M = Renegade T = LHD (2WD)

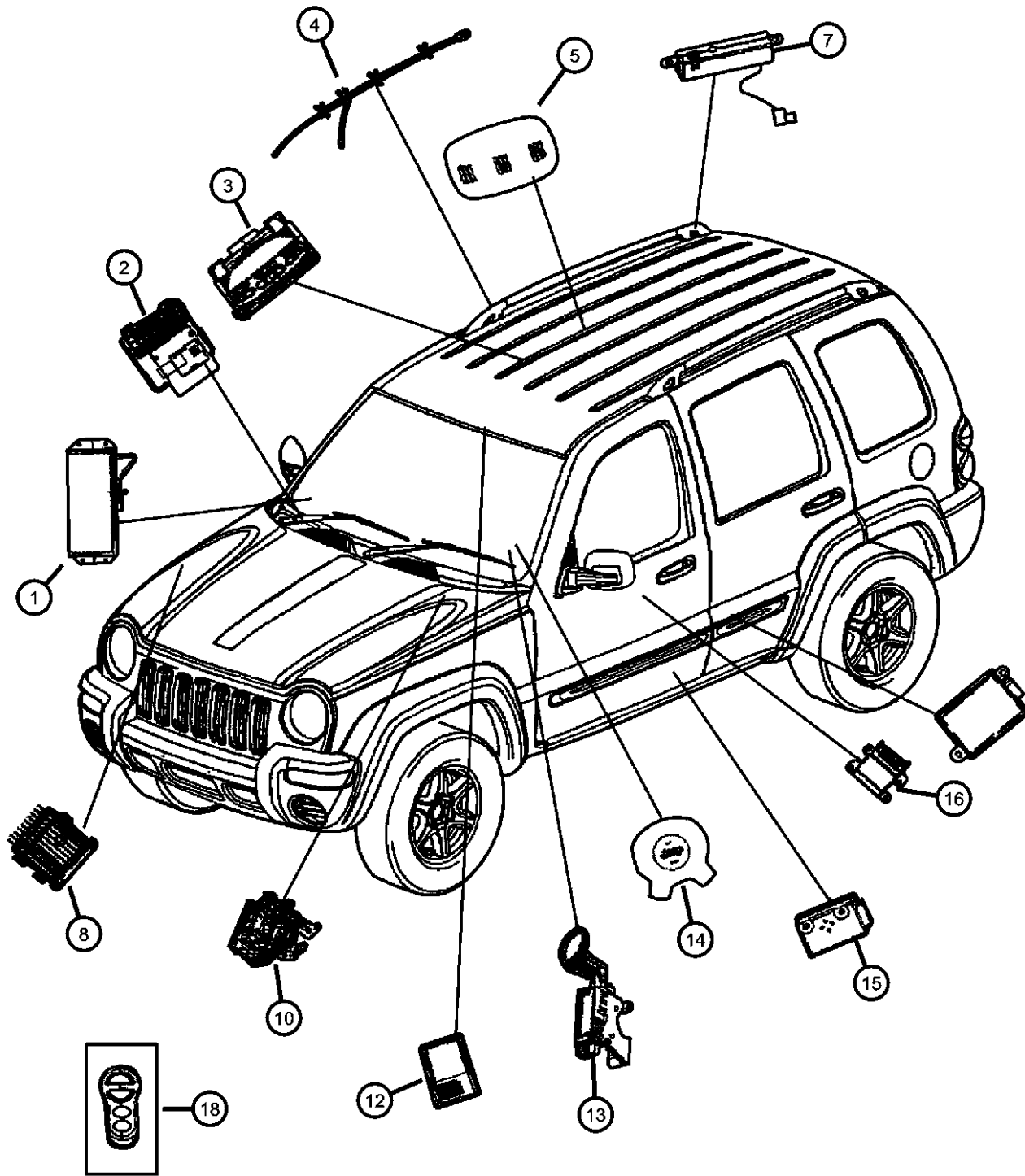
BODY
 74 = 4 Door (104.3 WB)

ENGINE
 ED1 = Engine - 2.4L 4 Cyl DOHC 16v SMPI
 EKG = Engine - 3.7L V6
 ENJ = Engine -2.5L 4 Cyl 16v Turbo Diesel
 ENR = Engine - 2.8L 4 Cyl Turbo Diesel
 EN0 = 4Cyl Turbo Diesel
 EKO = All 3.7L
 ED0 = All 2.4L

TRANSMISSION
 DDD = Transmission - 5-Speed HD Manual
 DDK = Transmission - 5-Speed HD Manual
 DG4 = Transmission-Multi-Speed Auto, 45RFE
 DG6 = Transmission-4-Spd. Automatic, 42RLE
 DGQ = Transmission-5-Spd Automatic 5-45RFE
 DBB = All Manual Transmissions
 DG0 = All Automatic Transmissions

AR = use ase required - = Non illustrated part

Modules
Figure 8-410



ITEM	PART NUMBER	QTY	LINE	SERIES	BODY	ENGINE	TRANS	TRIM	DESCRIPTION
8	56038527AD	1							Export MODULE, Transmission Control
	56044585AC	1				EN0	DGQ		Up to 06/11/03
	56044682AA	1				EN0	DGQ		After 06/11/03
-9									BRACKET, Transmission Control Unit
	56041377AB	1	J, T			EN0	DGQ		
	56041809AA	1	U			EN0	DGQ		
10	05083084AA	1							MODULE, Anti-lock Brakes
-11	05083083AA	1							CONTROL UNIT, Anti-Lock Brake
12									RECEIVER, Keyless Entry
	56010394AA	1							315 MHZ BCM Interconnect
	56010395AA	1							433.92 MHZ BCM Interconnect (Export)
	56010424AA	1							315 MHZ BCM Interconnect (Export)
13	56010209AC	1							MODULE, Immobilizer
14									AIR BAG, Driver
	5JS05DX9AA	1		H, M					Instrument Cluster without Tach
	5JS061X9AA	1		M, P					Instrument Cluster with Tach
15									MODULE, Heated Seat Control
	56010113AA	1	J, U						Europe
		1	J, T						Mexico
		1	J, T						USA / Canada
16									MODULE, Occupant Restraint
	56038862AB	1							Export
	56038864AC	1							[CGS], Export
	56038865AC	1							[CGS]
	56038961AB	1							
-17	56038787AB	1							COVER, Module
18									TRANSMITTER, Keyless Entry

LIBERTY (KJ)

SERIES

P = Limited

H = Sport

M = Renegade

LINE

J = LHD (4WD)

U = RHD (4WD)

T = LHD (2WD)

BODY

74 = 4 Door (104.3 WB)

ENGINE

ED1 = Engine - 2.4L 4 Cyl

DOHC 16v SMPI

EKG = Engine - 3.7L V6

ENJ = Engine -2.5L 4 Cyl 16V

Turbo Diesel

ENR = Engine - 2.8L 4 Cyl

Turbo Diesel

ENO = 4Cyl Turbo Diesel

EKO = All 3.7L

EDO = All 2.4L

TRANSMISSION

DDD = Transmission - 5-Speed HD

Manual

DDK = Transmission - 5-Speed HD

Manual

DG4 = Transmission-Multi-Speed

Auto, 45RFE

DG6 = Transmission-4-Spd.

Automatic, 42RLE

DGQ = Transmission-5-Spd Automatic

5-45RFE

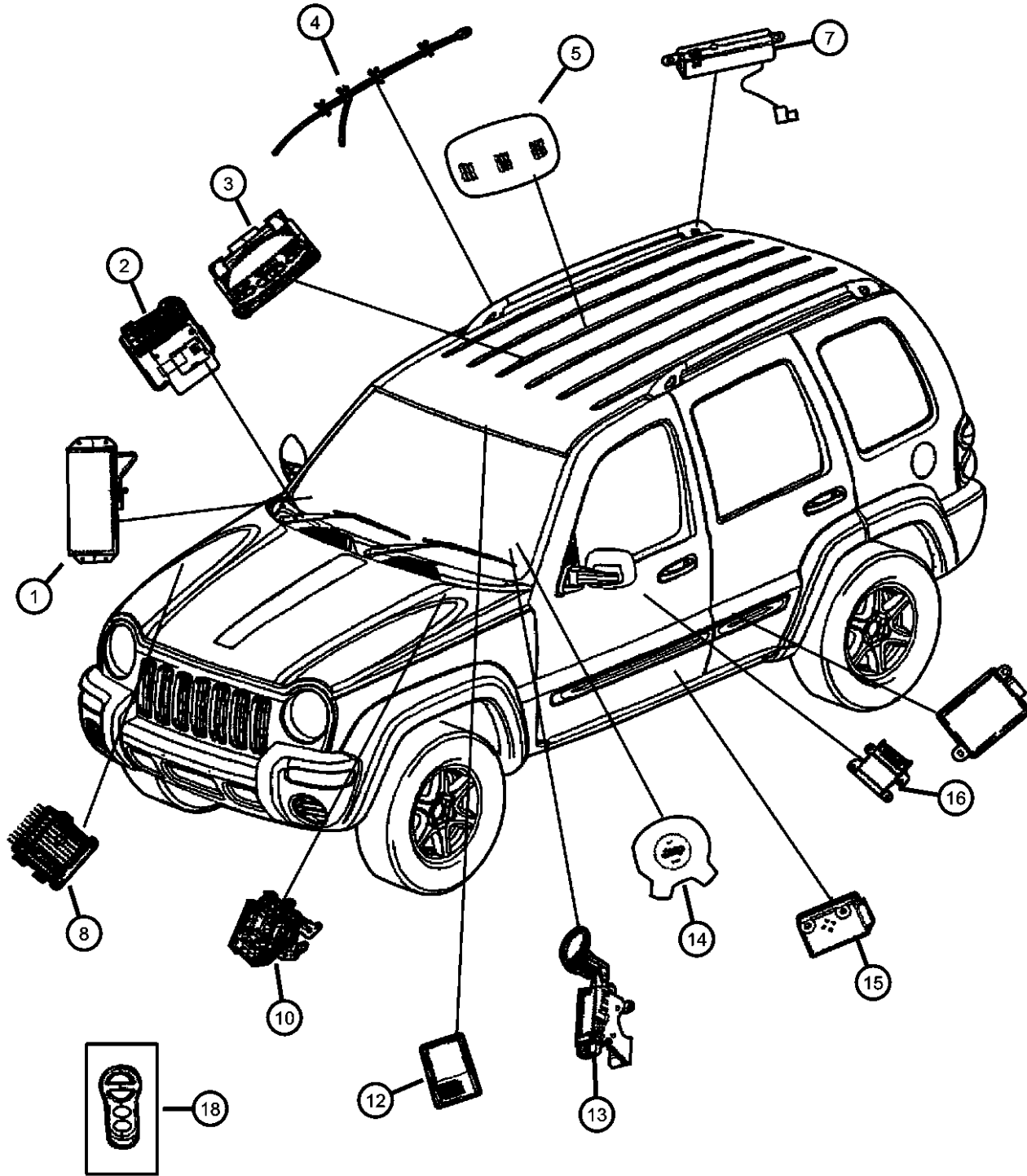
DBB = All Manual Transmissions

DG0 = All Automatic Transmissions

AR = use ase required - = Non illustrated part

2004 KJ

Modules
Figure 8-410



ITEM	PART NUMBER	QTY	LINE	SERIES	BODY	ENGINE	TRANS	TRIM	DESCRIPTION
	04602261AB	2							433.92 MHZ BCM, Export
	56010562AB	2							315 MHZ BCM, Export
	04602260AA	2							
-19									LABEL, Air Bag Warning
	04649282AA	4							Airbag Warning Seat Side (English)
	04787437AA	2							Airbag Warning, Sunvisor (English / French (Canada))
-20	05064022AF	1							MODULE, Telematics
-21	56038763AB	1							BRACKET, Module, [RSP]

LIBERTY (KJ)

SERIES

P = Limited
H = Sport
M = Renegade

LINE

J = LHD (4WD)
U = RHD (4WD)
T = LHD (2WD)

BODY

74 = 4 Door (104.3 WB)

ENGINE

ED1 = Engine - 2.4L 4 Cyl
DOHC 16v SMPI
EKG = Engine - 3.7L V6
ENJ = Engine -2.5L 4 Cyl 16V
Turbo Diesel
ENR = Engine - 2.8L 4 Cyl
Turbo Diesel
ENO = 4Cyl Turbo Diesel
EKO = All 3.7L
EDO = All 2.4L

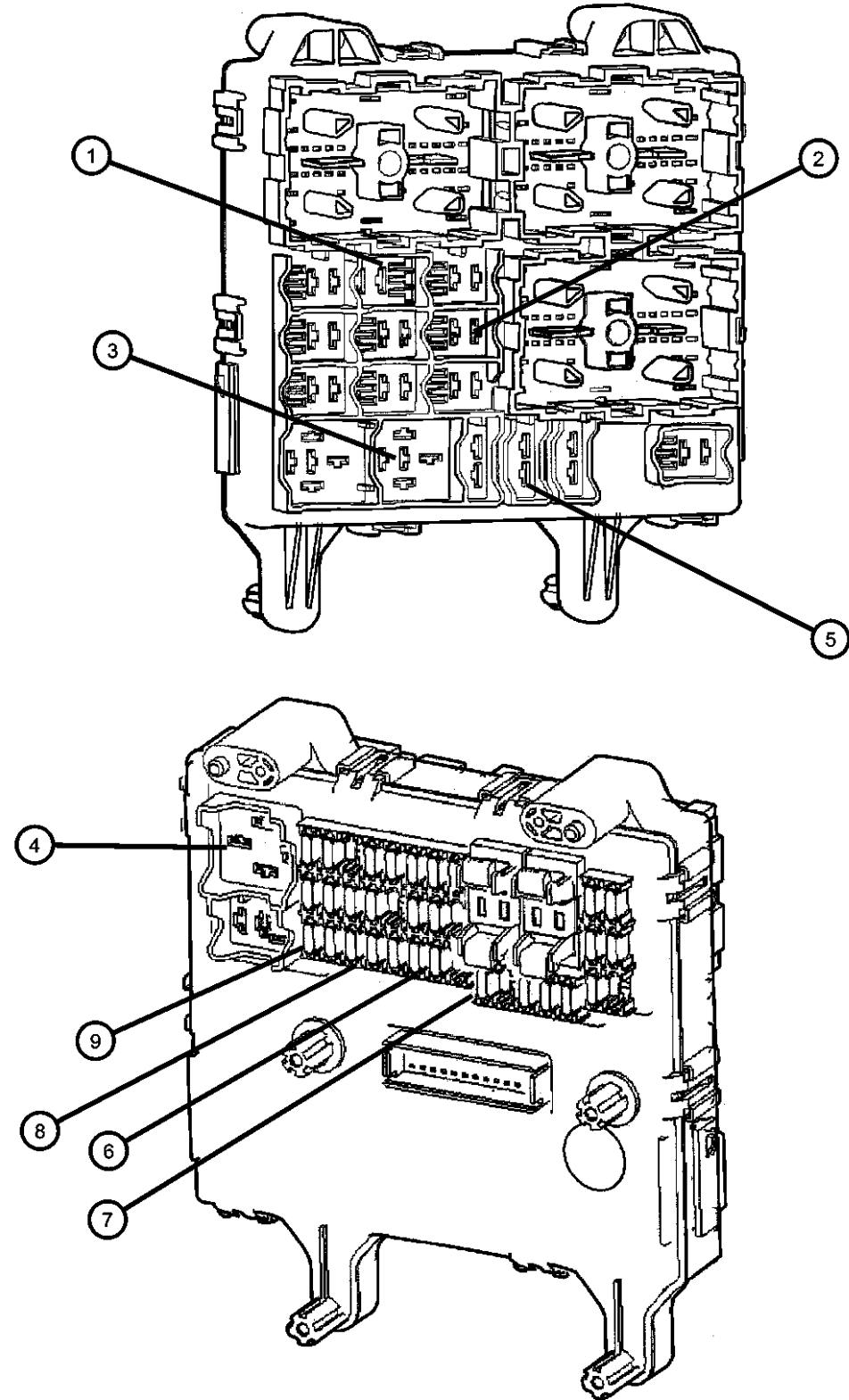
TRANSMISSION

DDD = Transmission - 5-Speed HD
Manual
DDK = Transmission - 5-Speed HD
Manual
DG4 = Transmission-Multi-Speed
Auto, 45RFE
DG6 = Transmission-4-Spd.
Automatic, 42RLE
DGQ = Transmission-5-Spd Automatic
5-45RFE
DBB = All Manual Transmissions
DG0 = All Automatic Transmissions

AR = use ase required - = Non illustrated part

2004 KJ

Junction Block, Relays, Circuit Breaker
Figure 8-510

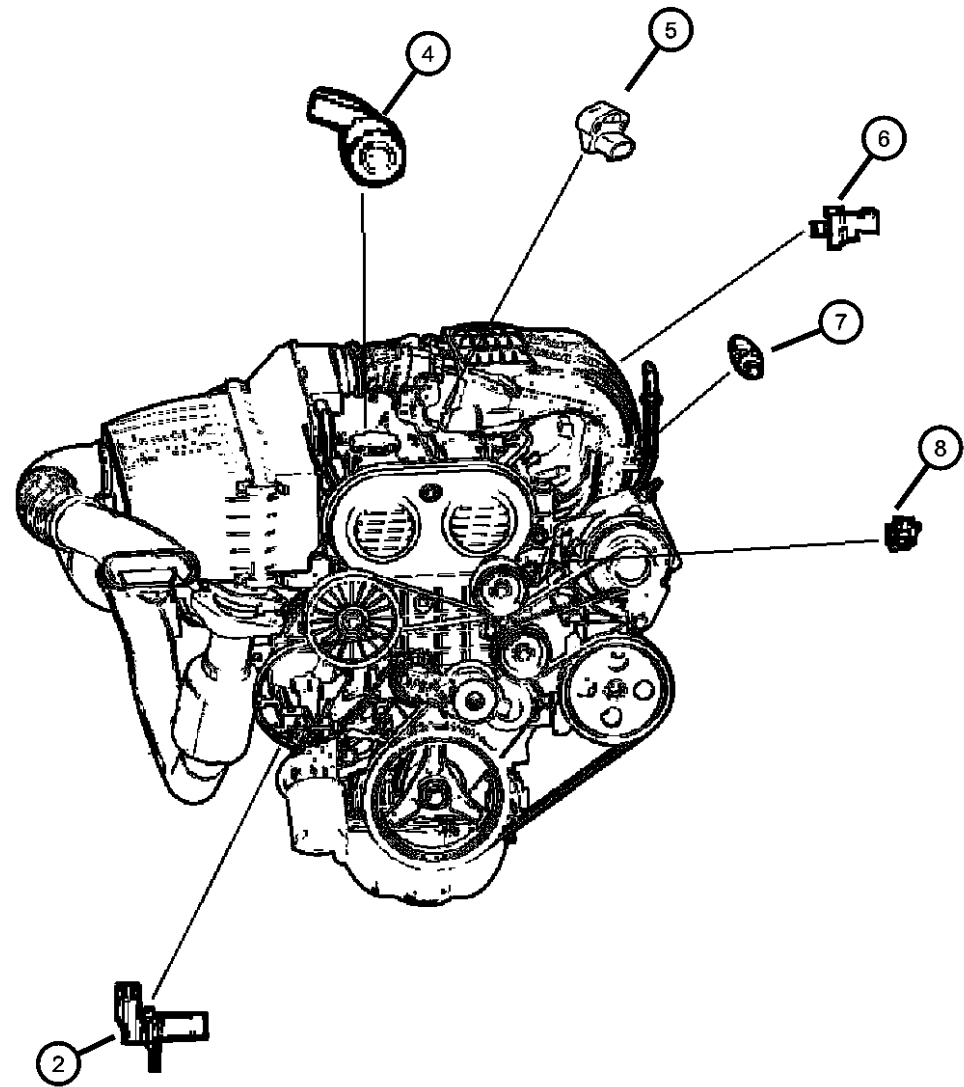


ITEM	PART NUMBER	QTY	LINE	SERIES	BODY	ENGINE	TRANS	TRIM	DESCRIPTION
Notes: [EN0]= All 4/5 Cylinder Turbo Diesel Engine									
1	56010435AC	1	J, T						JUNCTION BLOCK, Relay Without Sunroof (USA / Canada / Mexico)
	56010436AC	1	J, T						With Sunroof (USA / Canada / Mexico)
		1	J, U						Europe
2	04671168	1							RELAY, Mini High Beam, Door Locks, Foglamp
	56006709	2							
3	04727370AA	1							RELAY, Mini Heated Backlight in J.B.
		2				EN0			Glow Plug
4	56042216AB	1							RELAY, Daytime Running Lamp
5	56021543	1							BREAKER, Circuit, 25 AMP
6	000ATM10	1	J, T						FUSE, Mini, 10 AMP, Red
7	000ATM15	1	J, T						FUSE, Mini, 15 AMP, Light Blue
8	000ATM20	1	J, T						FUSE, Mini, 20 AMP, Yellow
9	000ATM30	AR							FUSE, Mini, 30 AMP, Green
-10	05072937AA	1	U						PULLER, Fuse
		1	J, T						
-11	56010333AD	1	J, T						BRACKET, Junction Block
	56010334AD	1	U						

LIBERTY (KJ)				
SERIES	LINE	BODY	ENGINE	TRANSMISSION
P = Limited	J = LHD (4WD)	74 = 4 Door (104.3 WB)	ED1 = Engine - 2.4L 4 Cyl DOHC 16v SMPI	DDD = Transmission - 5-Speed HD Manual
H = Sport	U = RHD (4WD)		EKG = Engine - 3.7L V6	DDK = Transmission - 5-Speed HD Manual
M = Renegade	T = LHD (2WD)		ENJ = Engine -2.5L 4 Cyl 16v Turbo Diesel	DG4 = Transmission-Multi-Speed Auto, 45RFE
			ENR = Engine - 2.8L 4 Cyl Turbo Diesel	DG6 = Transmission-4-Spd. Automatic, 42RLE
			EN0 = 4Cyl Turbo Diesel	DGQ = Transmission-5-Spd Automatic 5-45RFE
			EK0 = All 3.7L	DBB = All Manual Transmissions
			ED0 = All 2.4L	DG0 = All Automatic Transmissions

AR = use ase required - = Non illustrated part

**Sensor, Engine (2.4L Engine) [ED0]
Figure 8-605**



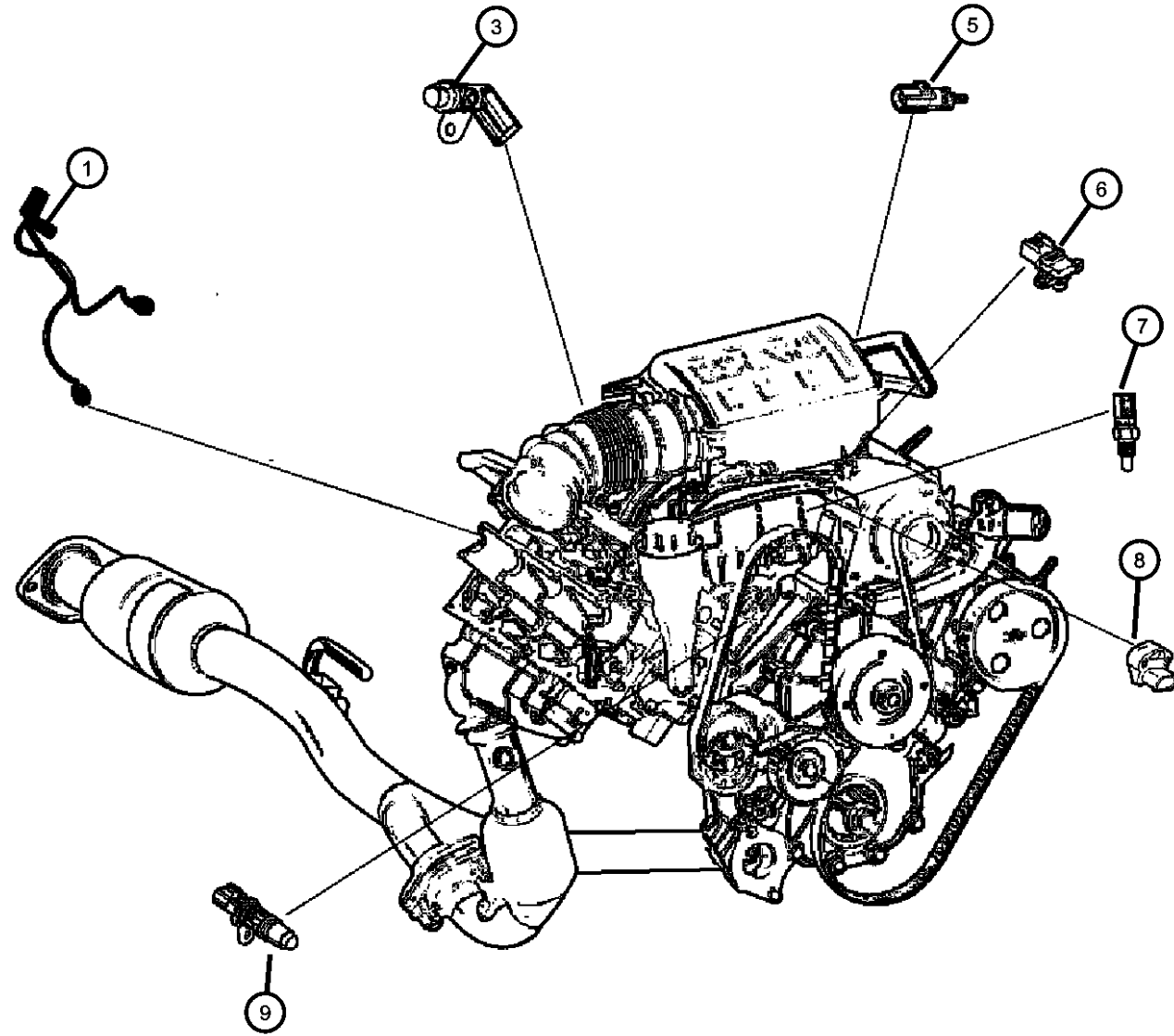
ITEM	PART NUMBER	QTY	LINE	SERIES	BODY	ENGINE	TRANS	TRIM	DESCRIPTION
Notes: [ED0]=2.4L 4 Cylinder Engine [DDK]=All 5 Speed Heavy Duty Manual Transmissions									
-1	06503486	1				ED0			SCREW, Tapping, Oxygen Sensor Wiring Bracket attaching
2	05269873	1				ED0			SENSOR, Crankshaft Position
-3	06507220AA	1				ED0			SCREW, M6x1x14
4	05072759AA	1				ED0			SENSOR, Camshaft
5	04606487AB	1				ED0			SENSOR, Charge Air Temp
6	04606487AB	1							SENSOR, Knock, (NOT REQUIRED)
7	56027873	1				ED0			SENSOR, Coolant Temperature
8	05019411AB	1				ED0			SENSOR KIT, Throttle Position
-9	05013320AA	1	T			ED0	DDK		O RING, Speed Sensor
-10	56041018AC	1				ED0			SENSOR, MAP

LIBERTY (KJ)

SERIES	LINE	BODY	ENGINE	TRANSMISSION
P = Limited	J = LHD (4WD)	74 = 4 Door (104.3 WB)	ED1 = Engine - 2.4L 4 Cyl DOHC 16v SMPI	DDD = Transmission - 5-Speed HD Manual
H = Sport	U = RHD (4WD)		EKG = Engine - 3.7L V6	DDK = Transmission - 5-Speed HD Manual
M = Renegade	T = LHD (2WD)		ENJ = Engine -2.5L 4 Cyl 16V Turbo Diesel	DG4 = Transmission-Multi-Speed Auto, 45RFE
			ENR = Engine - 2.8L 4 Cyl Turbo Diesel	DG6 = Transmission-4-Spd. Automatic, 42RLE
			ENO = 4Cyl Turbo Diesel	DGQ = Transmission-5-Spd Automatic 5-45RFE
			EK0 = All 3.7L	DBB = All Manual Transmissions
			ED0 = All 2.4L	DG0 = All Automatic Transmissions

AR = use ase required - = Non illustrated part

Sensors, Engine (3.7L Engine) [EK0]
Figure 8-610



ITEM	PART NUMBER	QTY	LINE	SERIES	BODY	ENGINE	TRANS	TRIM	DESCRIPTION
Notes: [EK0]=3.7L V6 Engine									
1	56041679AC	1				EK0			SENSOR, Knock
-2	56041849AA	1				EK0			BRACKET, Knock Sensor
3	56044180AB	1				EK0			SENSOR, Crankshaft Position
-4									BRACKET, Oxygen Sensor
	56041823AB	1				EK0	DG0		
		2				EK0	DBB		
5	56028364AA	1				EK0			SENSOR, Air Temperature
6	56041018AC	1				EK0			SENSOR, MAP
7	56027873	1				EK0			SENSOR, Coolant Temperature
8	05019411AB	1				EK0			SENSOR KIT, Throttle Position
9	56041584AE	1				EK0			SENSOR, Camshaft
-10	04606487AB	1				EK0			SENSOR, Charge Air Temp

LIBERTY (KJ)

SERIES LINE
P = Limited J = LHD (4WD)
H = Sport U = RHD (4WD)
M = Renegade T = LHD (2WD)

BODY
74 = 4 Door (104.3 WB)

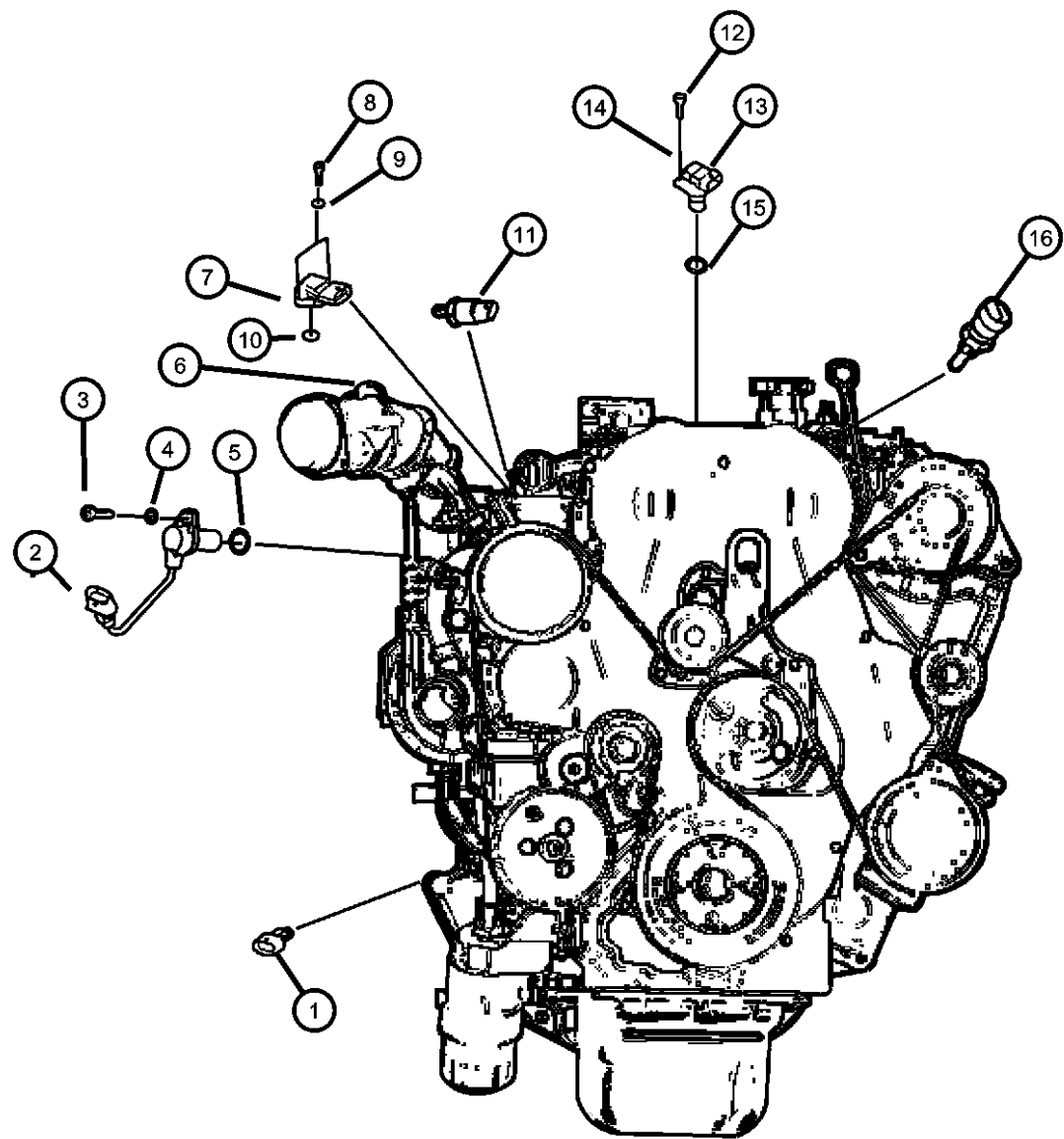
ENGINE
ED1 = Engine - 2.4L 4 Cyl
DOHC 16v SMPI
EKG = Engine - 3.7L V6
ENJ = Engine -2.5L 4 Cyl 16V
Turbo Diesel
ENR = Engine - 2.8L 4 Cyl
Turbo Diesel
ENO = 4Cyl Turbo Diesel
EK0 = All 3.7L
ED0 = All 2.4L

TRANSMISSION
DDD = Transmission - 5-Speed HD
Manual
DDK = Transmission - 5-Speed HD
Manual
DG4 = Transmission-Multi-Speed
Auto, 45RFE
DG6 = Transmission-4-Spd.
Automatic, 42RLE
DGQ = Transmission-5-Spd Automatic
5-45RFE
DBB = All Manual Transmissions
DG0 = All Automatic Transmissions

AR = use ase required - = Non illustrated part

2004 KJ

**Sensors, Engine (2.5L Diesel) [EN0]
Figure 8-615**



ITEM	PART NUMBER	QTY	LINE	SERIES	BODY	ENGINE	TRANS	TRIM	DESCRIPTION
1	56028807AB	1				EN0	DBB		SENDING UNIT, Oil Pressure
		1				EN0	DG0		
2	05066882AA	1				EN0	DG0		SENSOR, Crankshaft
		1				EN0	DBB		
3	05003551AA	1				EN0	DG0		BOLT, M6x10
		1				EN0	DBB		
4	04723204	5				EN0	DBB		WASHER, Implement Attaching
		5				EN0	DG0		
5	05066860AA	1				EN0	DG0		O RING
		1				EN0	DBB		
6		1							SENSOR PACKAGE, Air Flow Meter, (NOT REQUIRED)
7	05093898AA	1				EN0	DG0		SENSOR, Air Temperature
		1				EN0	DBB		
8	05010858AA	1				EN0	DG0		SCREW
		1				EN0	DBB		
9	04723204	1				EN0	DG0		WASHER, Implement Attaching
		1				EN0	DBB		
10	05066860AA	1				EN0	DBB		O RING

Notes:
 [EN0]=All 4/5 Cylinder Turbo Diesel Engines
 [DBB]=All Manual Transmissions
 [DG0]=All Automatic Transmissions

LIBERTY (KJ)

SERIES LINE
 P = Limited J = LHD (4WD)
 H = Sport U = RHD (4WD)
 M = Renegade T = LHD (2WD)

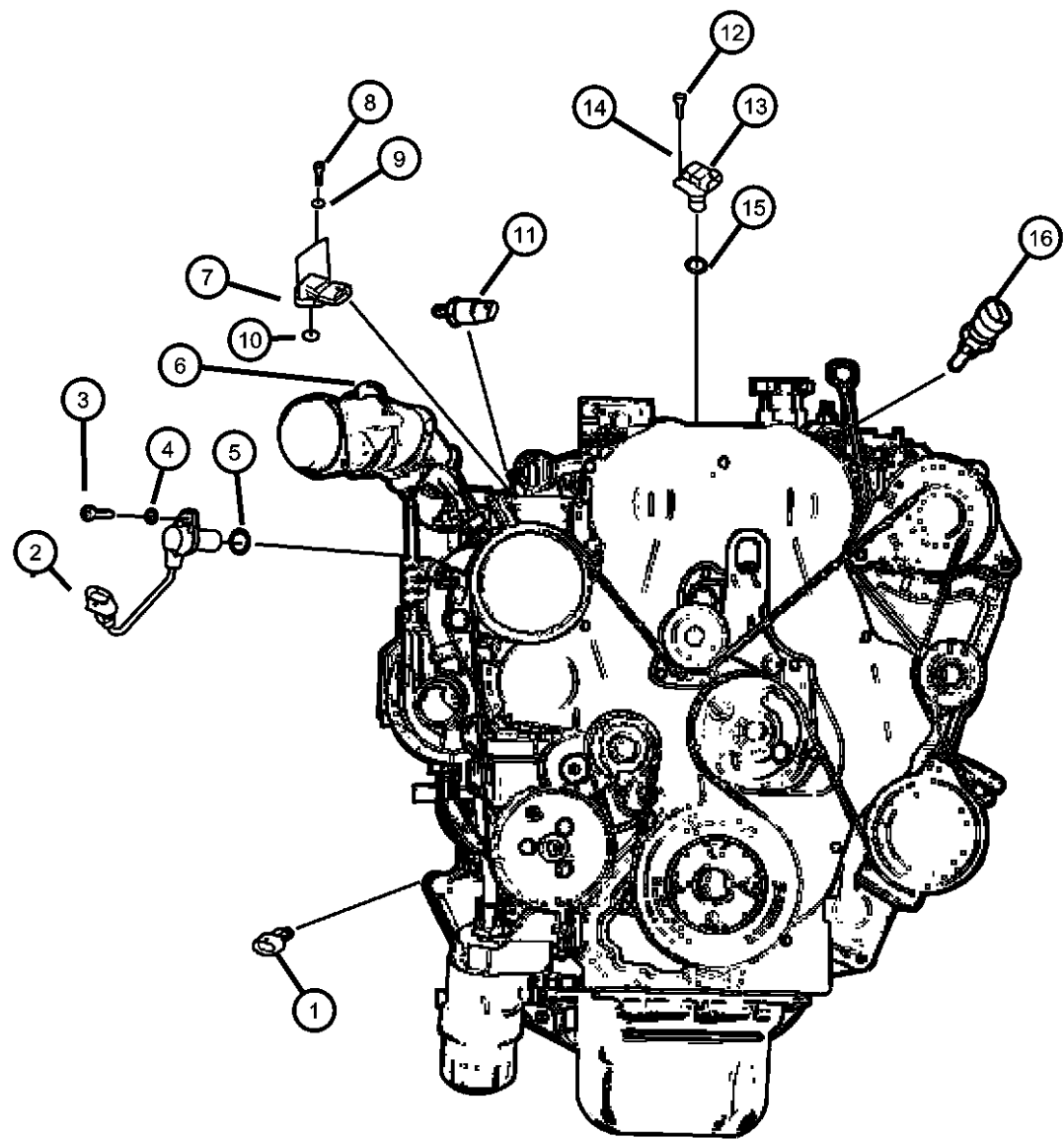
BODY
 74 = 4 Door (104.3 WB)

ENGINE
 ED1 = Engine - 2.4L 4 Cyl
 DOHC 16v SMPI
 EKG = Engine - 3.7L V6
 ENJ = Engine -2.5L 4 Cyl 16V
 Turbo Diesel
 ENR = Engine - 2.8L 4 Cyl
 Turbo Diesel
 EN0 = 4Cyl Turbo Diesel
 EK0 = All 3.7L
 ED0 = All 2.4L

TRANSMISSION
 DDD = Transmission - 5-Speed HD
 Manual
 DDK = Transmission - 5-Speed HD
 Manual
 DG4 = Transmission-Multi-Speed
 Auto, 45RFE
 DG6 = Transmission-4-Spd.
 Automatic, 42RLE
 DGQ = Transmission-5-Spd Automatic
 5-45RFE
 DBB = All Manual Transmissions
 DG0 = All Automatic Transmissions

AR = use ase required - = Non illustrated part

Sensors, Engine (2.5L Diesel) [EN0]
Figure 8-615



ITEM	PART NUMBER	QTY	LINE	SERIES	BODY	ENGINE	TRANS	TRIM	DESCRIPTION
11		1				EN0	DG0		SENSOR, Fuel Pressure
	05072726AA	1				EN0	DG0		
		1				EN0	DBB		
12		1				EN0	DBB		SCREW
	05010858AA	1				EN0	DBB		
		1				EN0	DG0		
13		1				EN0	DG0		SENSOR, Camshaft
	05066856AB	1				EN0	DG0		
		1				EN0	DBB		
14		1				EN0	DG0		WASHER, Implement Attaching
	04723204	1				EN0	DG0		
		1				EN0	DBB		
15		1				EN0	DBB		O RING
	05066860AA	1				EN0	DBB		
		1				EN0	DG0		
16		1				EN0	DG0		SENSOR, Temperature Sending Unit
	05066779AA	1				EN0	DG0		
		1				EN0	DBB		
-17		1				EN0	DBB		SENDING UNIT, Oil Pressure
	56028807AB	1				EN0	DBB		
		1				EN0	DG0		
-18	04799062	2	J, U			EN0	DGQ		O RING, Speed Sensor
-19		1				EN0	DG0		BRACKET
	05093910AA	1				EN0	DG0		Crank Sensor Wiring
		1				EN0	DBB		Crank Sensor Wiring

LIBERTY (KJ)

SERIES LINE
P = Limited J = LHD (4WD)
H = Sport U = RHD (4WD)
M = Renegade T = LHD (2WD)

BODY
74 = 4 Door (104.3 WB)

ENGINE
ED1 = Engine - 2.4L 4 Cyl
DOHC 16v SMPI
EKG = Engine - 3.7L V6
ENJ = Engine -2.5L 4 Cyl 16V
Turbo Diesel
ENR = Engine - 2.8L 4 Cyl
Turbo Diesel
EN0 = 4Cyl Turbo Diesel
EKO = All 3.7L
ED0 = All 2.4L

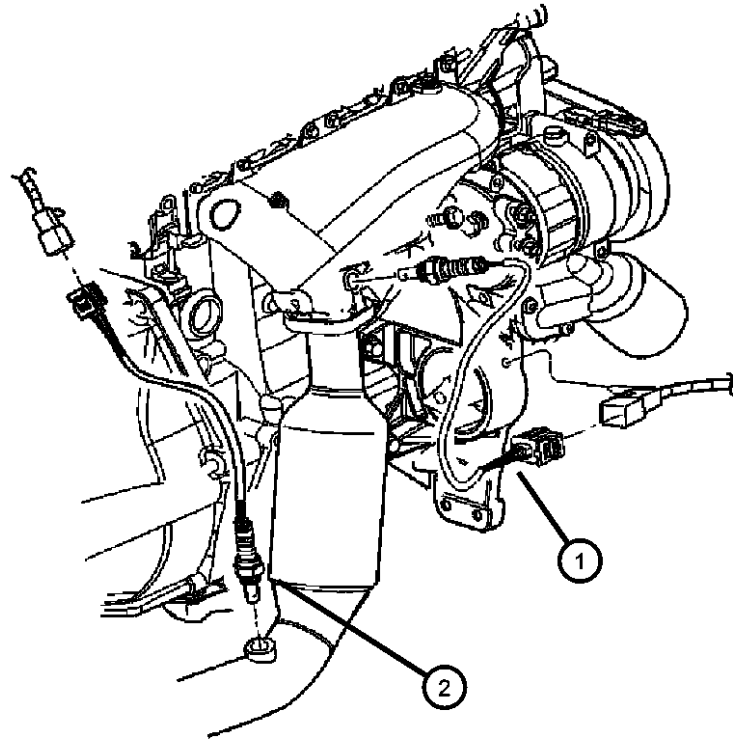
TRANSMISSION
DDD = Transmission - 5-Speed HD
Manual
DDK = Transmission - 5-Speed HD
Manual
DG4 = Transmission-Multi-Speed
Auto, 45RFE
DG6 = Transmission-4-Spd.
Automatic, 42RLE
DGQ = Transmission-5-Spd Automatic
5-45RFE
DBB = All Manual Transmissions
DG0 = All Automatic Transmissions

AR = use ase required - = Non illustrated part

2004 KJ

Sensors, Oxygen 2.4L [ED0]
Figure 8-620

ITEM	PART NUMBER	QTY	LINE	SERIES	BODY	ENGINE	TRANS	TRIM	DESCRIPTION
1	56029049AA	1				ED0			SENSOR, Oxygen, Before catalyst
2	56029050AA	1				ED0			SENSOR, Oxygen, After catalyst



LIBERTY (KJ)

SERIES LINE
P = Limited J = LHD (4WD)
H = Sport U = RHD (4WD)
M = Renegade T = LHD (2WD)

BODY
74 = 4 Door (104.3 WB)

ENGINE
ED1 = Engine - 2.4L 4 Cyl
DOHC 16v SMPI
EKG = Engine - 3.7L V6
ENJ = Engine -2.5L 4 Cyl 16V
Turbo Diesel
ENR = Engine - 2.8L 4 Cyl
Turbo Diesel
EN0 = 4Cyl Turbo Diesel
EKO = All 3.7L
ED0 = All 2.4L

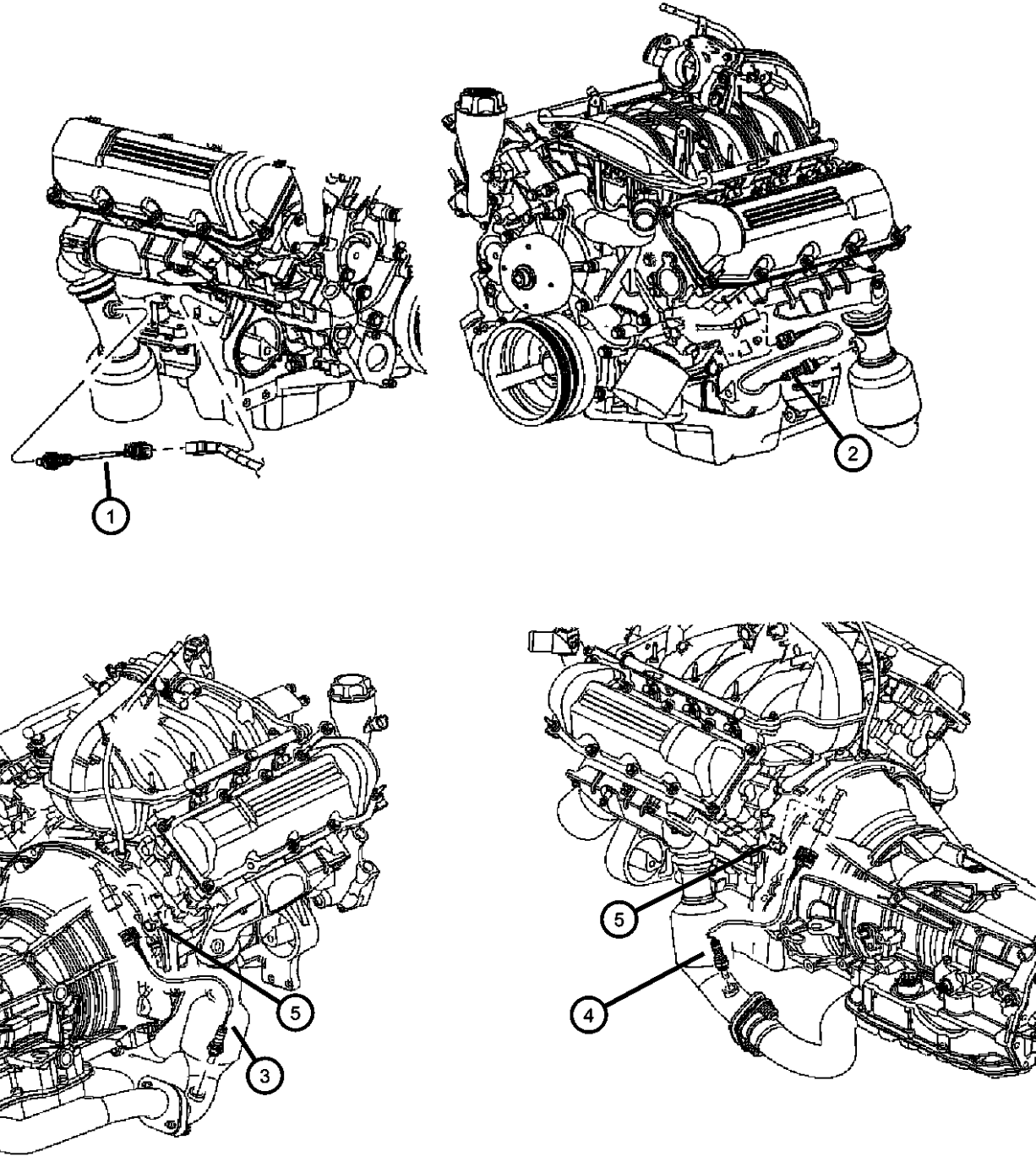
TRANSMISSION
DDD = Transmission - 5-Speed HD
Manual
DDK = Transmission - 5-Speed HD
Manual
DG4 = Transmission-Multi-Speed
Auto, 45RFE
DG6 = Transmission-4-Spd.
Automatic, 42RLE
DGQ = Transmission-5-Spd Automatic
5-45RFE
DBB = All Manual Transmissions
DG0 = All Automatic Transmissions

AR = use ase required - = Non illustrated part

2004 KJ

Sensors, Oxygen 3.7L [EK0]
Figure 8-625

ITEM	PART NUMBER	QTY	LINE	SERIES	BODY	ENGINE	TRANS	TRIM	DESCRIPTION
1	56028994AA	1				EK0			SENSOR, Oxygen, Before Catalyst, Right
2	56028994AA	1				EK0			SENSOR, Oxygen, Before catalyst, Left
3	56028996AA	1				EK0			SENSOR, OxygenAfter Catalyst, Right
4	56028996AA	1				EK0			SENSOR, Oxygen, After catalyst, Left
5									BRACKET, Oxygen Sensor
	56041823AB	1				EK0	DG0		
		2				EK0	DBB		



LIBERTY (KJ)

SERIES

P = Limited
H = Sport
M = Renegade

LINE

J = LHD (4WD)
U = RHD (4WD)
T = LHD (2WD)

BODY

74 = 4 Door (104.3 WB)

ENGINE

ED1 = Engine - 2.4L 4 Cyl
DOHC 16v SMPI
EKG = Engine - 3.7L V6
ENJ = Engine -2.5L 4 Cyl 16V
Turbo Diesel
ENR = Engine - 2.8L 4 Cyl
Turbo Diesel
ENO = 4Cyl Turbo Diesel
EK0 = All 3.7L
EDO = All 2.4L

TRANSMISSION

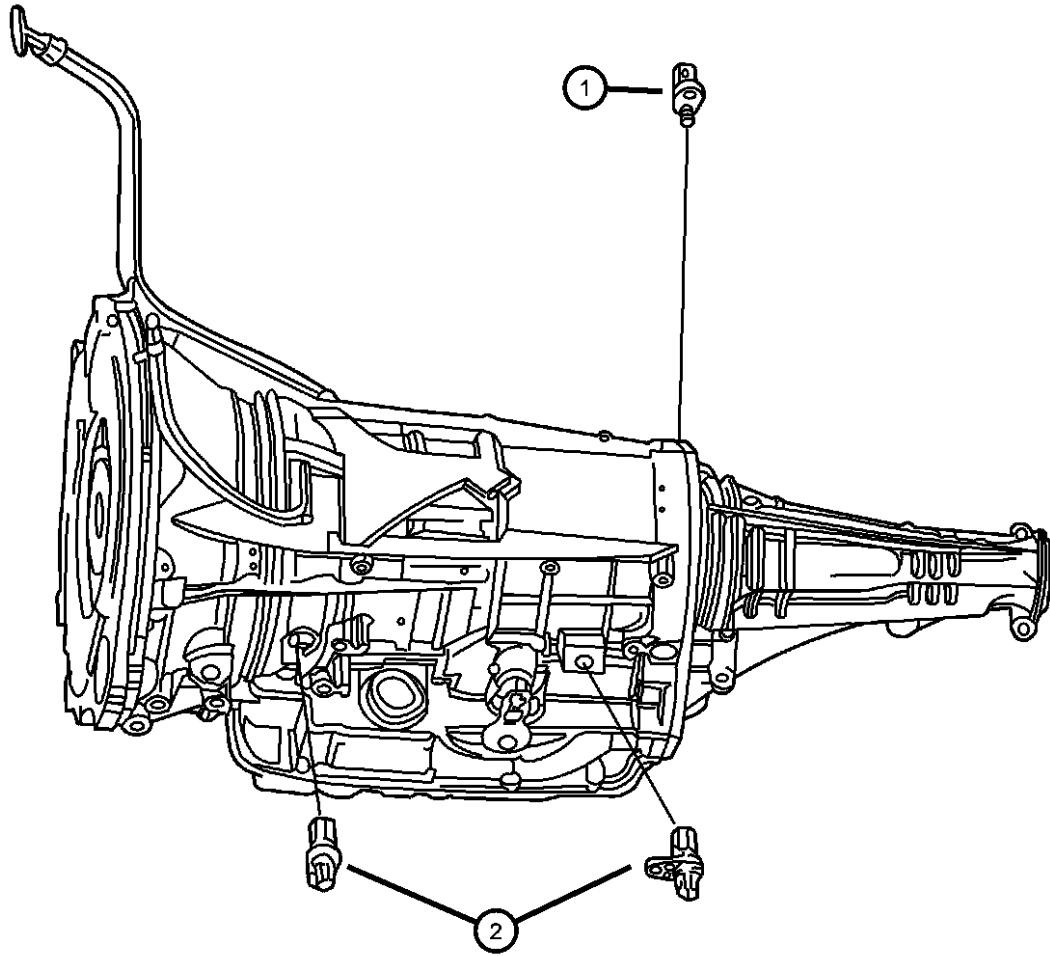
DDD = Transmission - 5-Speed HD
Manual
DDK = Transmission - 5-Speed HD
Manual
DG4 = Transmission-Multi-Speed
Auto, 45RFE
DG6 = Transmission-4-Spd.
Automatic, 42RLE
DGQ = Transmission-5-Spd Automatic
5-45RFE
DBB = All Manual Transmissions
DG0 = All Automatic Transmissions

AR = use ase required - = Non illustrated part

2004 KJ

**Sensor (Drive Train)
Figure 8-635**

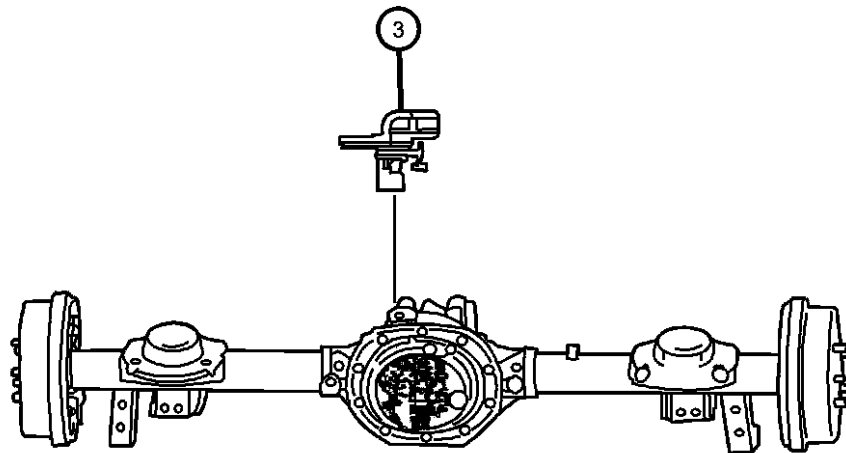
ITEM	PART NUMBER	QTY	LINE	SERIES	BODY	ENGINE	TRANS	TRIM	DESCRIPTION
------	-------------	-----	------	--------	------	--------	-------	------	-------------



Notes:

- [DGQ] = 5 Speed Automatic Transmission
- [DG4]= Multi-Speed Automatic Transmission
- [DG6] = 4 Speed Automatic Transmission
- [ED0] = 2.4L Engine
- [EK0] = 3.7L Engine
- [EN0] = 2.5L Turbo Diesel Engine

1									TRANSDUCER, Pressure Sensor
	04799758AC	1	J, U			EN0	DGQ		
		1	T				DG4		
		1	J, U				DG4		
2									SENSOR, Transmission Output Speed
	04799061	2	J, U			EN0	DGQ		Input / Output Speed Sensor
		2	J, U			EN0	DGQ		Output Speed Sensor
	52854001AA	1	T				DG6		Output Speed Sensor
		1	J, U				DG6		
3	56041393AA	1							SENSOR, Wheel Speed
-4	05086373AA	1							O RING, Sensor, Wheel Speed Sensor
-5									SWITCH, Transfer Case, 5 Position
	05083138AA	1	J, U			ED0, EK0, EN0			
		1	J, U			EN0			



LIBERTY (KJ)

SERIES

- P = Limited
- H = Sport
- M = Renegade

LINE

- J = LHD (4WD)
- U = RHD (4WD)
- T = LHD (2WD)

BODY

- 74 = 4 Door (104.3 WB)

ENGINE

- ED1 = Engine - 2.4L 4 Cyl DOHC 16v SMPI
- EKG = Engine - 3.7L V6
- ENJ = Engine -2.5L 4 Cyl 16V Turbo Diesel
- ENR = Engine - 2.8L 4 Cyl Turbo Diesel
- EN0 = 4Cyl Turbo Diesel
- EK0 = All 3.7L
- ED0 = All 2.4L

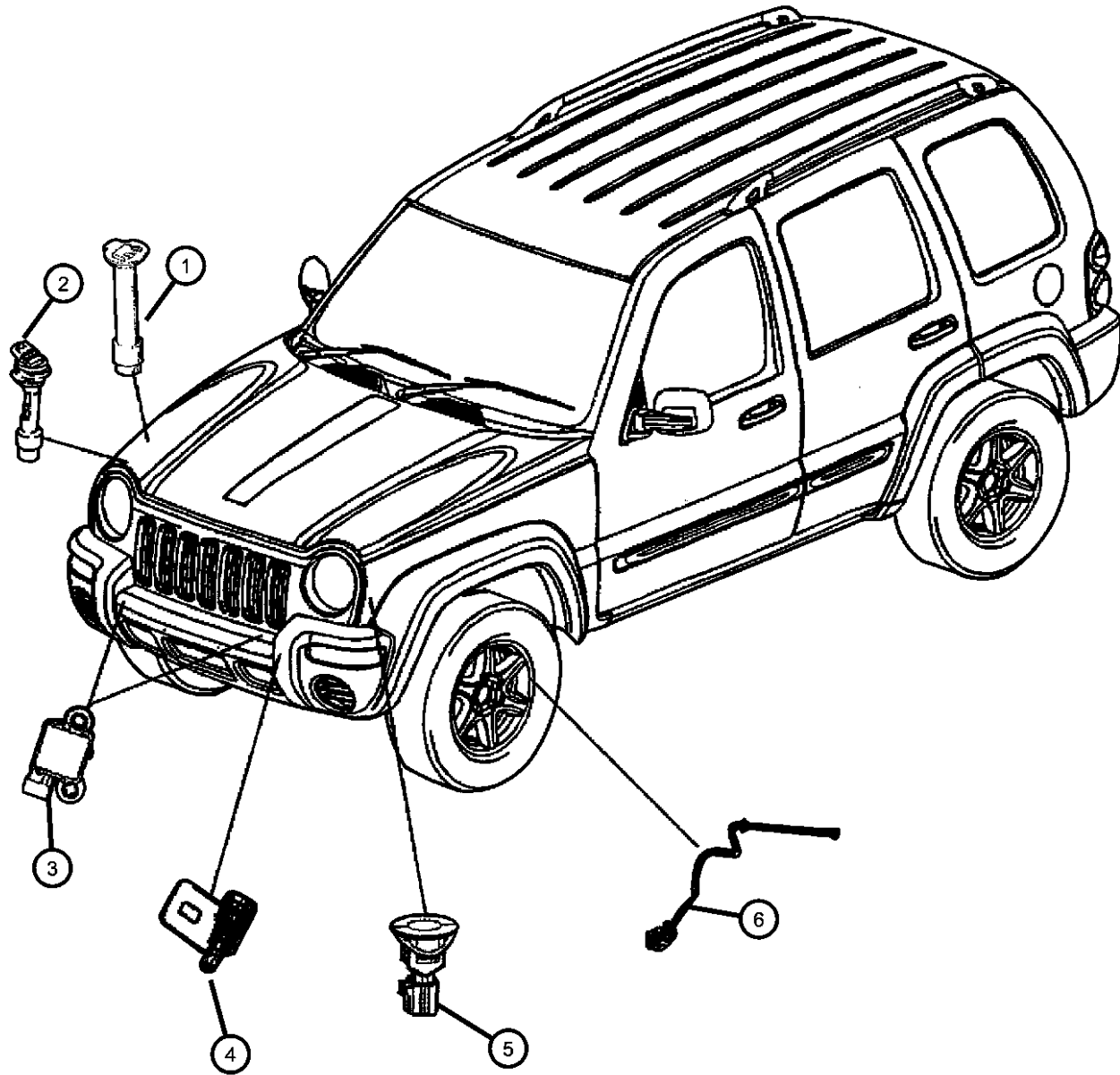
TRANSMISSION

- DDD = Transmission - 5-Speed HD Manual
- DDK = Transmission - 5-Speed HD Manual
- DG4 = Transmission-Multi-Speed Auto, 45RFE
- DG6 = Transmission-4-Spd. Automatic, 42RLE
- DGQ = Transmission-5-Spd Automatic 5-45RFE
- DBB = All Manual Transmissions
- DG0 = All Automatic Transmissions

AR = use ase required - = Non illustrated part

2004 KJ

**Sensor (Body)
Figure 8-640**



ITEM	PART NUMBER	QTY	LINE	SERIES	BODY	ENGINE	TRANS	TRIM	DESCRIPTION
1	04882797	1							SENSOR, Washer Fluid Level
2	04682425	1				EN0			SENSOR, Coolant Level
3	05084000AA	2							SENSOR, Air Bag
4									SENSOR, Ambient Temperature
	56042395	1	U			EK0, ED0			
		1	U			EN0			
		1	J, T						
5	56041053	1							SENSOR, Battery Temperature
6									SENSOR, Anti-Lock Brakes
	52128694AB	1							USA / Canada / Mexico, Right
		1							Europe, Right
	52128695AB	1							USA / Canada / Mexico, Left
		1							Europe, Left
-7	52088990AC	5							SENSOR, Tire Pressure, Valve stem
-8	52109664AA	1							MAGNET, Tire Pressure Sensor
-9	52088961AA	5							NUT, Tire Pressure Sensor, Tire Pressure Sensor mounting
-10	05083124AA	5							CAP, Valve stem

LIBERTY (KJ)

SERIES

P = Limited
H = Sport
M = Renegade

LINE

J = LHD (4WD)
U = RHD (4WD)
T = LHD (2WD)

BODY

74 = 4 Door (104.3 WB)

ENGINE

ED1 = Engine - 2.4L 4 Cyl
DOHC 16v SMPI
EKG = Engine - 3.7L V6
ENJ = Engine -2.5L 4 Cyl 16V
Turbo Diesel
ENR = Engine - 2.8L 4 Cyl
Turbo Diesel
EN0 = 4Cyl Turbo Diesel
EK0 = All 3.7L
ED0 = All 2.4L

TRANSMISSION

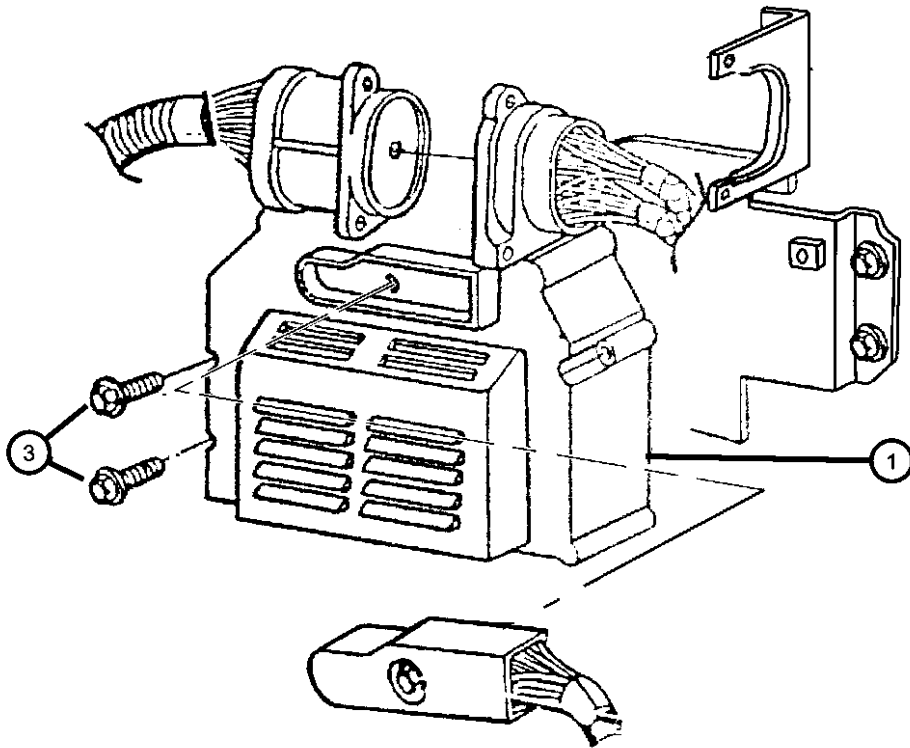
DDD = Transmission - 5-Speed HD
Manual
DDK = Transmission - 5-Speed HD
Manual
DG4 = Transmission-Multi-Speed
Auto, 45RFE
DG6 = Transmission-4-Spd.
Automatic, 42RLE
DGQ = Transmission-5-Spd Automatic
5-45RFE
DBB = All Manual Transmissions
DG0 = All Automatic Transmissions

AR = use ase required - = Non illustrated part

2004 KJ

JTEC Modules & Solenoids
Figure 8-710

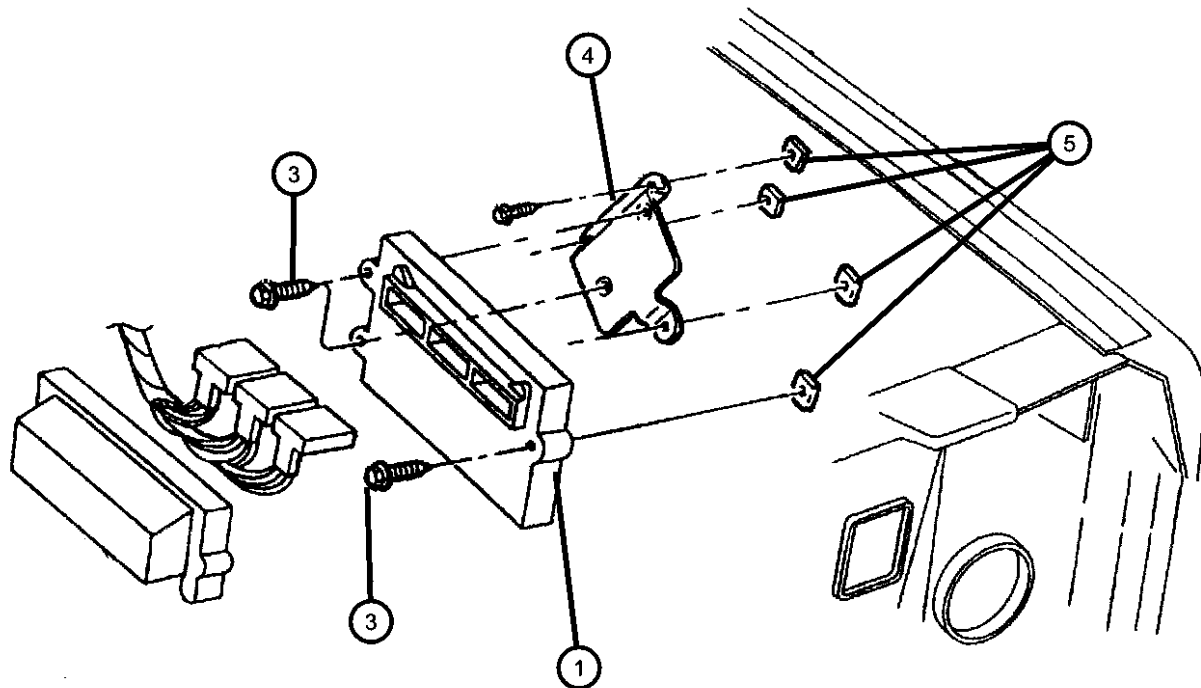
ITEM	PART NUMBER	QTY	LINE	SERIES	BODY	ENGINE	TRANS	TRIM	DESCRIPTION
------	-------------	-----	------	--------	------	--------	-------	------	-------------



Notes:

- [ED0] = 2.4L 4 Cylinder Engine
- [EK0] = 3.7L V6 Engine
- [EN0] = All 2.5L Cylinder Turbo Diesel Engine
- [DBB] = All Manual Transmissions
- [DG0] = All Automatic Transmissions
- [NA1] = Export Emissions
- [NAS] = US 50 States
- [NB2] = Euro Stage II Emissions
- [NB4] = Euro Stage IV Emissions
- [NBJ] = Japan Low Emissions Vehicle

1									MODULE, Powertrain Control
	56044208AC	1				EK0	DG0		[NAS]
	56044209AC	1				EK0	DBB		[NAS]
	56044221AA	1				EK0	DG0		[NA1] With [NB4] (Export)
	56044223AA	1				EK0	DBB		[NA1] With [NB4] (Export)
	56044224AA	1				EK0	DG0		[NA1] With [NB4] (Export)
	56044225AC	1				ED0	DBB		[NAS]
	56044227AA	1				ED0	DBB		[NA1] With [NB4] (Export)
	56044299AB	1				EN0	DG0		
	56044352AB	1				EN0	DBB		
-2									MODULE, Engine Controller
	56044299AA	1				EN0	DG0		
	56044352AA	1				EN0	DBB		
3	06035884	3				ED0, EK0			SCREW
4									BRACKET, Control Unit
	56041384AC	1				EN0			Export
	56044353AA	1				ED0, EK0			
5	56044353AA	1							NUT, Hex Flange Lock, M5, M5x0.80, (NOT SERVICED)



LIBERTY (KJ)

SERIES	LINE
P = Limited	J = LHD (4WD)
H = Sport	U = RHD (4WD)
M = Renegade	T = LHD (2WD)

BODY
74 = 4 Door (104.3 WB)

ENGINE
ED1 = Engine - 2.4L 4 Cyl DOHC 16v SMPI
EKG = Engine - 3.7L V6
ENJ = Engine -2.5L 4 Cyl 16V Turbo Diesel
ENR = Engine - 2.8L 4 Cyl Turbo Diesel
EN0 = 4Cyl Turbo Diesel
EK0 = All 3.7L
ED0 = All 2.4L

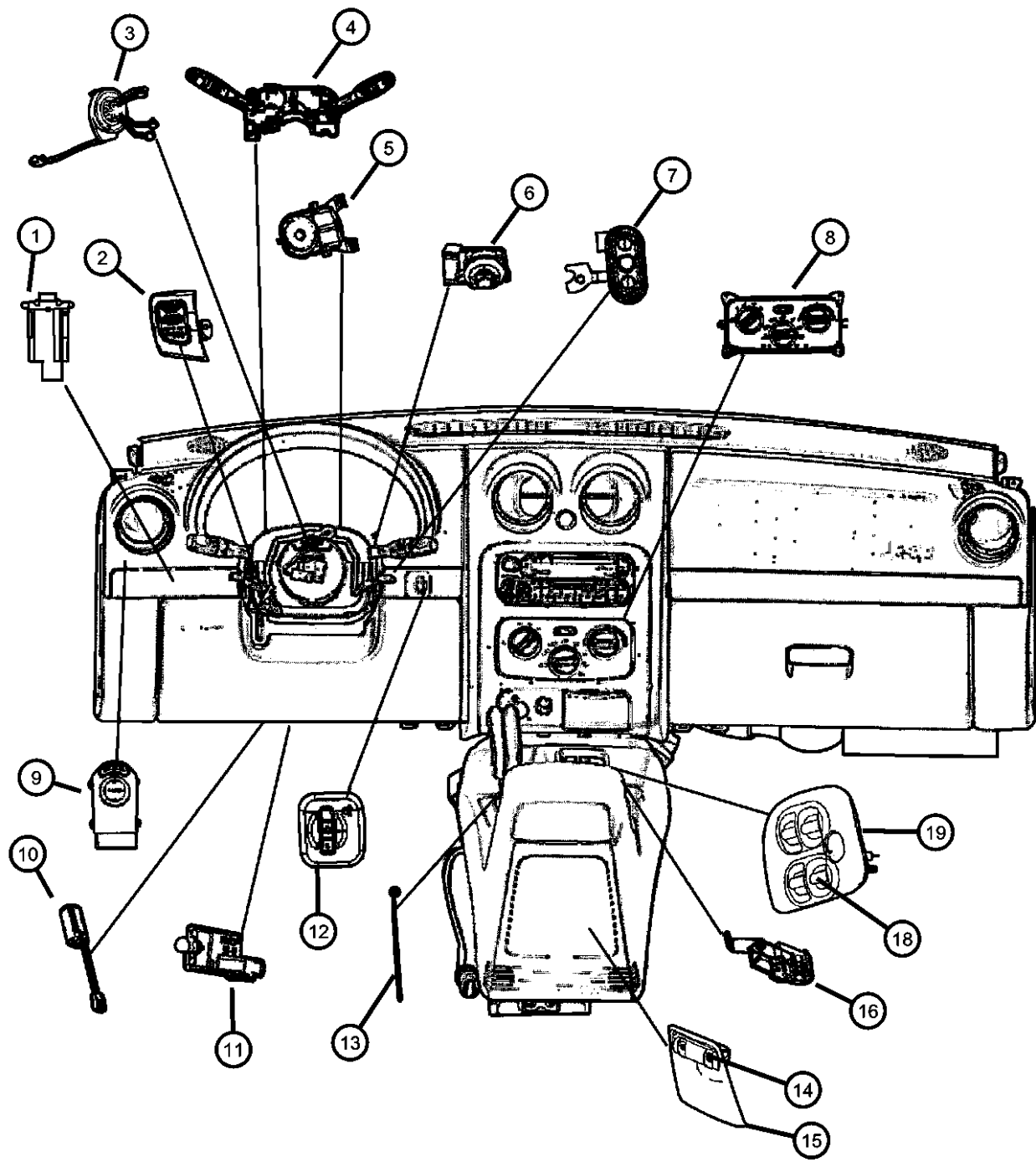
TRANSMISSION
DDD = Transmission - 5-Speed HD Manual
DDK = Transmission - 5-Speed HD Manual
DG4 = Transmission-Multi-Speed Auto, 45RFE
DG6 = Transmission-4-Spd. Automatic, 42RLE
DGQ = Transmission-5-Spd Automatic 5-45RFE
DBB = All Manual Transmissions
DG0 = All Automatic Transmissions

AR = use ase required - = Non illustrated part

2004 KJ

Switches (Instrument Panel and Console)

Figure 8-810



ITEM	PART NUMBER	QTY	LINE	SERIES	BODY	ENGINE	TRANS	TRIM	DESCRIPTION
------	-------------	-----	------	--------	------	--------	-------	------	-------------

Notes:

- [ED0] = 2.4L 4 Cylinder Engine
- [EK0]=3.7L V6 Engine
- [EKG] = 3.7L V6 'Magnum' Engine
- [EN0]=4/5 Cylinder Turbo Diesel Engine
- [DBB]=All Manual Transmissions
- [DG0]=All Automatic Transmissions

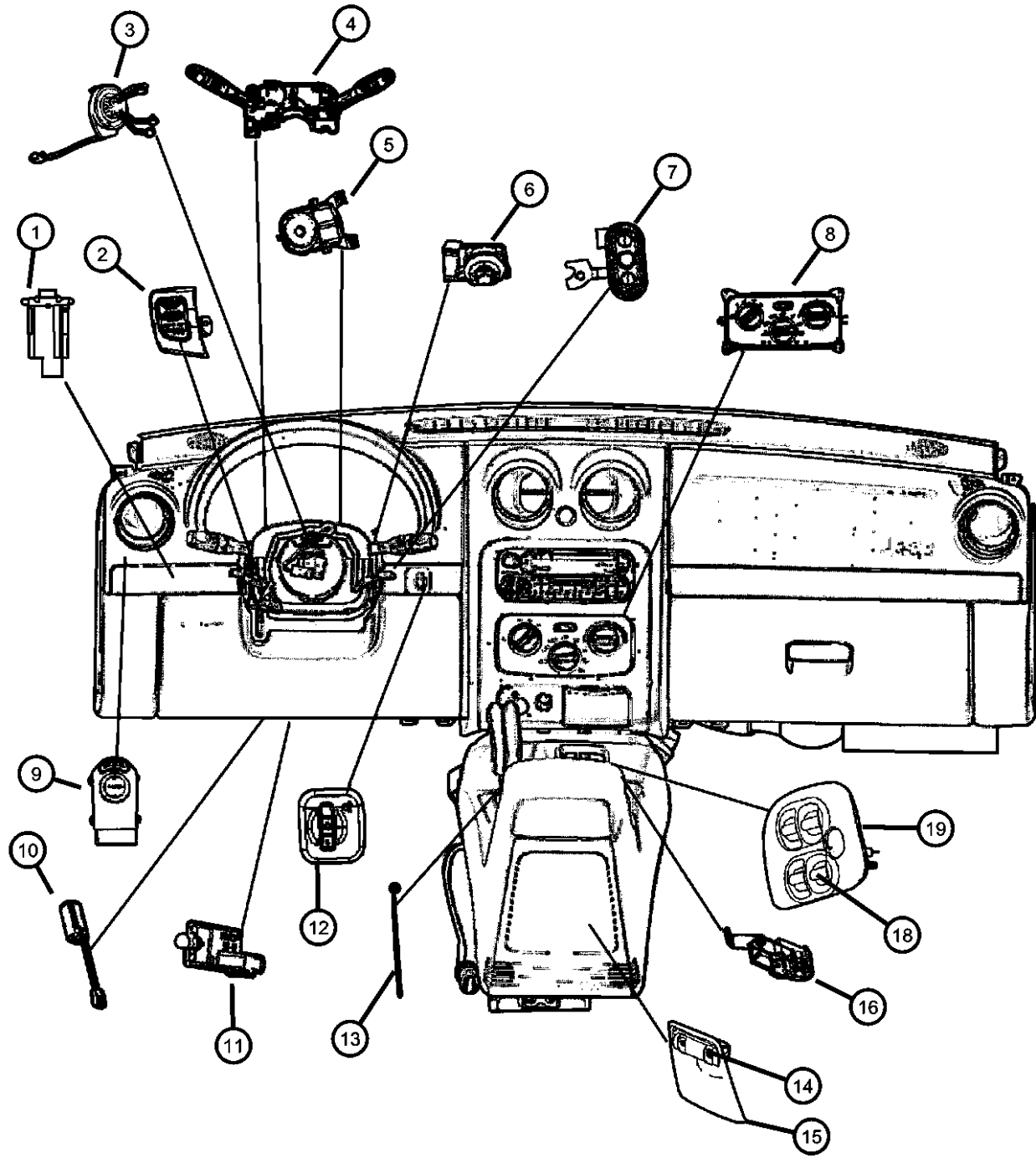
1	56010417AC	1							SWITCH, Off Road Lamp
2									SWITCH, Speed Control
	56010088AC	1		H, M					Right
	56010089AC	1		H, M					Left
	56010358AB	1		P					Right
		1		M, P					Right
	56010359AB	1		P					Left
		1		M, P					Left
3									CLOCKSPRING
	56010146AF	1							Without Audio Control Stering Wheel
	56010187AG	1							With Audio Control Stering Wheel
4									SWITCH, Multifunction
	56010125AF	1							Without Foglamp
	56010126AF	1							With Foglamp
	56010132AF	1							Without Foglamp (Export)
	56010133AF	1							With Foglamp (Export)
5	56010158AC	1							SWITCH, Hazard Warning, and Flasher
6									SWITCH, Ignition
	04793576AB	1					DBB		
		1					DG0		
7									SWITCH, Remote Radio
	56042312AB	1		H, M					Right
		1		P					Right
	56042313AB	1		H, M					Left

LIBERTY (KJ)

SERIES	LINE	BODY	ENGINE	TRANSMISSION
P = Limited	J = LHD (4WD)	74 = 4 Door (104.3 WB)	ED1 = Engine - 2.4L 4 Cyl DOHC 16v SMPI	DDD = Transmission - 5-Speed HD Manual
H = Sport	U = RHD (4WD)		EKG = Engine - 3.7L V6	DDK = Transmission - 5-Speed HD Manual
M = Renegade	T = LHD (2WD)		ENJ = Engine -2.5L 4 Cyl 16v Turbo Diesel	DG4 = Transmission-Multi-Speed Auto, 45RFE
			ENR = Engine - 2.8L 4 Cyl Turbo Diesel	DG6 = Transmission-4-Spd. Automatic, 42RLE
			EN0 = 4Cyl Turbo Diesel	DGQ = Transmission-5-Spd Automatic 5-45RFE
			EK0 = All 3.7L	DBB = All Manual Transmissions
			ED0 = All 2.4L	DG0 = All Automatic Transmissions

AR = use ase required - = Non illustrated part

Switches (Instrument Panel and Console)
Figure 8-810



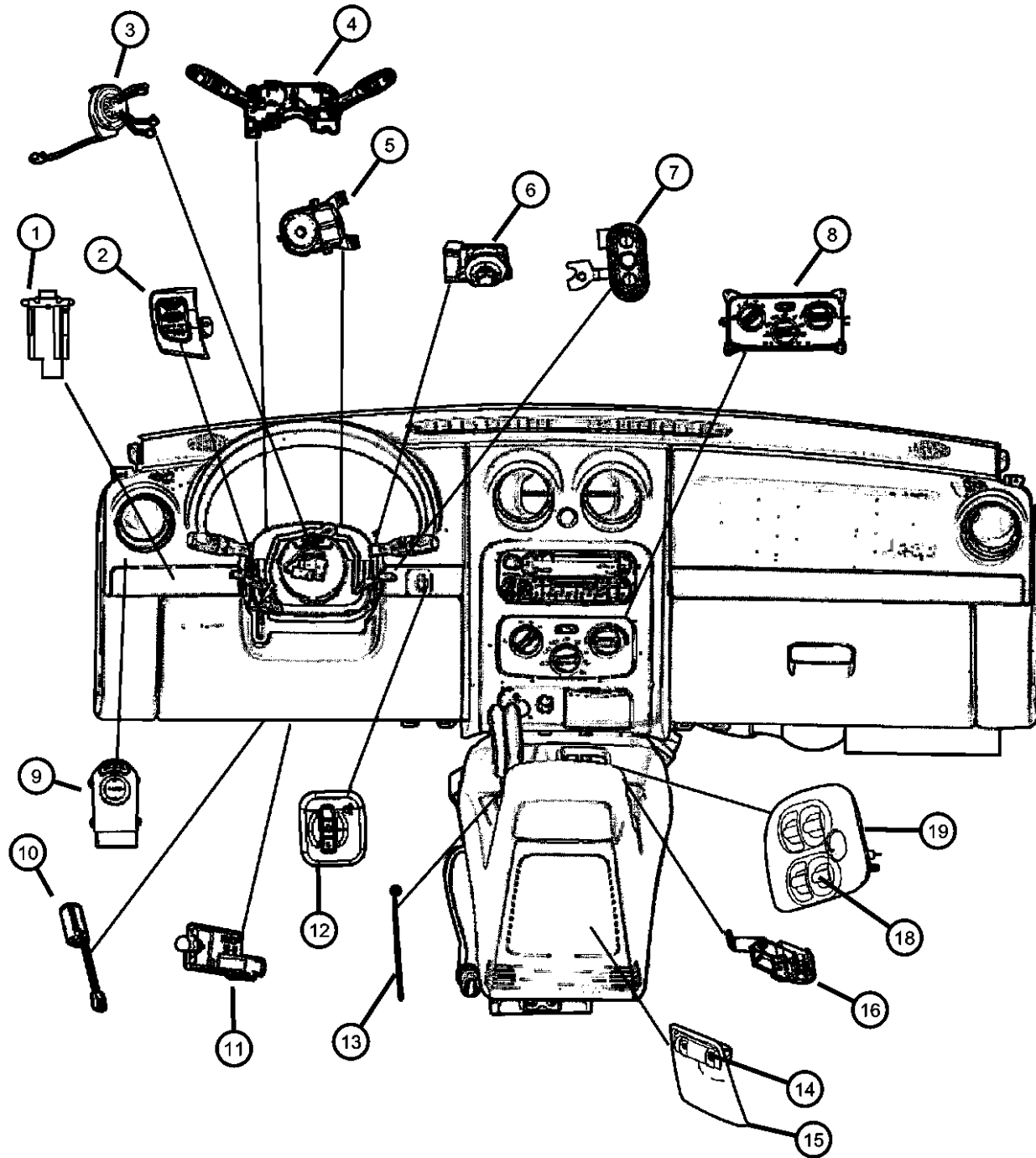
ITEM	PART NUMBER	QTY	LINE	SERIES	BODY	ENGINE	TRANS	TRIM	DESCRIPTION
				P					Left
8	55037533AD	1							CONTROL, A/C And Heater
9	56010696AA	1	J, T						SWITCH, Mirror
	56010697AA	1	U						Export
10	56010330AA	1	U			ED0, EKG	DBB		SWITCH, Clutch Starter Interlock
		1	U			EN0	DBB		
		1	J, T			ED0, EK0	DBB		
		1	J, T			EN0	DBB		
11	05083344AA	1							SWITCH PACKAGE, Stop Lamp
12	56010204AE	1							SWITCH, Headlamp Leveling
13	56010204AE	1							SWITCH, Overdrive Lockout, Serviced in Shifter Assembly, (NOT SERVICED)
14	56010091AB	1							SWITCH, Power Window, Rear
15	0WA64WL8AB	1							BEZEL, Power Window Switch [L2]
		1							[L5]
	0WA64XDVAB	1							[D2]
		1							[DV]
16	52127960	1					DD0		SWITCH, Parking Brake
		1					DG0		
-17	04793138	1					DD0		INSULATOR, 6 Way Male, Parking Brake
18	56010677AA	1							SWITCH, Power Window, Master Switch Front
19	5JQ92WL8AA	1							BEZEL, Power Window Switch [L2]
		1							[L5]
	5JQ92XDVAA	1							[D2]

LIBERTY (KJ)				
SERIES	LINE	BODY	ENGINE	TRANSMISSION
P = Limited	J = LHD (4WD)	74 = 4 Door (104.3 WB)	ED1 = Engine - 2.4L 4 Cyl DOHC 16v SMPI	DDD = Transmission - 5-Speed HD Manual
H = Sport	U = RHD (4WD)		EKG = Engine - 3.7L V6	DDK = Transmission - 5-Speed HD Manual
M = Renegade	T = LHD (2WD)		ENJ = Engine -2.5L 4 Cyl 16V Turbo Diesel	DG4 = Transmission-Multi-Speed Auto, 45RFE
			ENR = Engine - 2.8L 4 Cyl Turbo Diesel	DG6 = Transmission-4-Spd. Automatic, 42RLE
			EN0 = 4Cyl Turbo Diesel	DGQ = Transmission-5-Spd Automatic 5-45RFE
			ED0 = All 3.7L	DBB = All Manual Transmissions
			ED0 = All 2.4L	DG0 = All Automatic Transmissions

AR = use ase required - = Non illustrated part

Switches (Instrument Panel and Console)
Figure 8-810

ITEM	PART NUMBER	QTY	LINE	SERIES	BODY	ENGINE	TRANS	TRIM	DESCRIPTION
------	-------------	-----	------	--------	------	--------	-------	------	-------------



-20		1							[DV] SWITCH, Sunroof
	5GM78TL2AA	1	J, T						Export
		1	J, U						Export
		1							Export

LIBERTY (KJ)

SERIES

P = Limited
H = Sport
M = Renegade

LINE

J = LHD (4WD)
U = RHD (4WD)
T = LHD (2WD)

BODY

74 = 4 Door (104.3 WB)

ENGINE

ED1 = Engine - 2.4L 4 Cyl
DOHC 16v SMPI
EKG = Engine - 3.7L V6
ENJ = Engine -2.5L 4 Cyl 16V
Turbo Diesel
ENR = Engine - 2.8L 4 Cyl
Turbo Diesel
ENO = 4Cyl Turbo Diesel
EKO = All 3.7L
EDO = All 2.4L

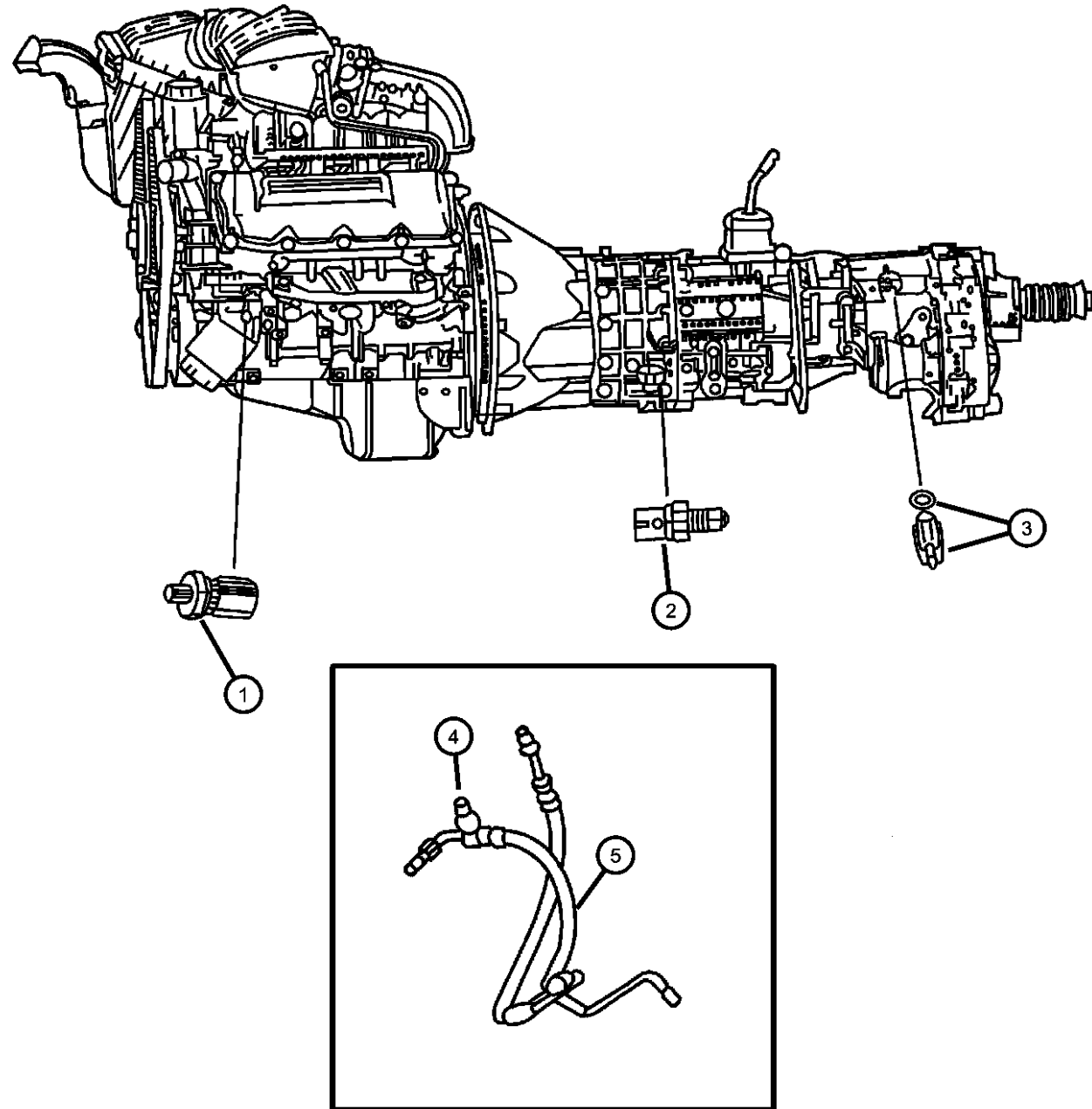
TRANSMISSION

DDD = Transmission - 5-Speed HD
Manual
DDK = Transmission - 5-Speed HD
Manual
DG4 = Transmission-Multi-Speed
Auto, 45RFE
DG6 = Transmission-4-Spd.
Automatic, 42RLE
DGQ = Transmission-5-Spd Automatic
5-45RFE
DBB = All Manual Transmissions
DG0 = All Automatic Transmissions

AR = use ase required - = Non illustrated part

2004 KJ

Switches (Drive Train)
Figure 8-820



ITEM	PART NUMBER	QTY	LINE	SERIES	BODY	ENGINE	TRANS	TRIM	DESCRIPTION
1									SENDING UNIT, Oil Pressure
	56028807AB	1				EN0	DBB		
		1				EN0	DG0		
2									SWITCH, Back Up Lamp
	05013336AA	1	J, U			ED0	DDK		
		1	T			ED0	DDK		
	56007163	1	J, U			EN0	DDD		
		1	T			EKG	DDD		
		1	J			EKG	DDD		
3									SWITCH, Transfer Case, 5 Position
	05083138AA	1	J, U			ED0, EKO, EN0			
		1	J, U			EN0			
4									SWITCH, Power Steering
	56044169AA	1	J, T			ED0			
		1	U			ED0			
5		1							HOSE, Power Steering, (NOT SERVICED)
-6									SWITCH, Oil Pressure
	04608303AB	1				ED0			
	04868672AA	1				EKO			

LIBERTY (KJ)

SERIES

P = Limited
H = Sport
M = Renegade

LINE

J = LHD (4WD)
U = RHD (4WD)
T = LHD (2WD)

BODY

74 = 4 Door (104.3 WB)

ENGINE

ED1 = Engine - 2.4L 4 Cyl
DOHC 16v SMPI
EKG = Engine - 3.7L V6
ENJ = Engine -2.5L 4 Cyl 16V
Turbo Diesel
ENR = Engine - 2.8L 4 Cyl
Turbo Diesel
EN0 = 4Cyl Turbo Diesel
EKO = All 3.7L
ED0 = All 2.4L

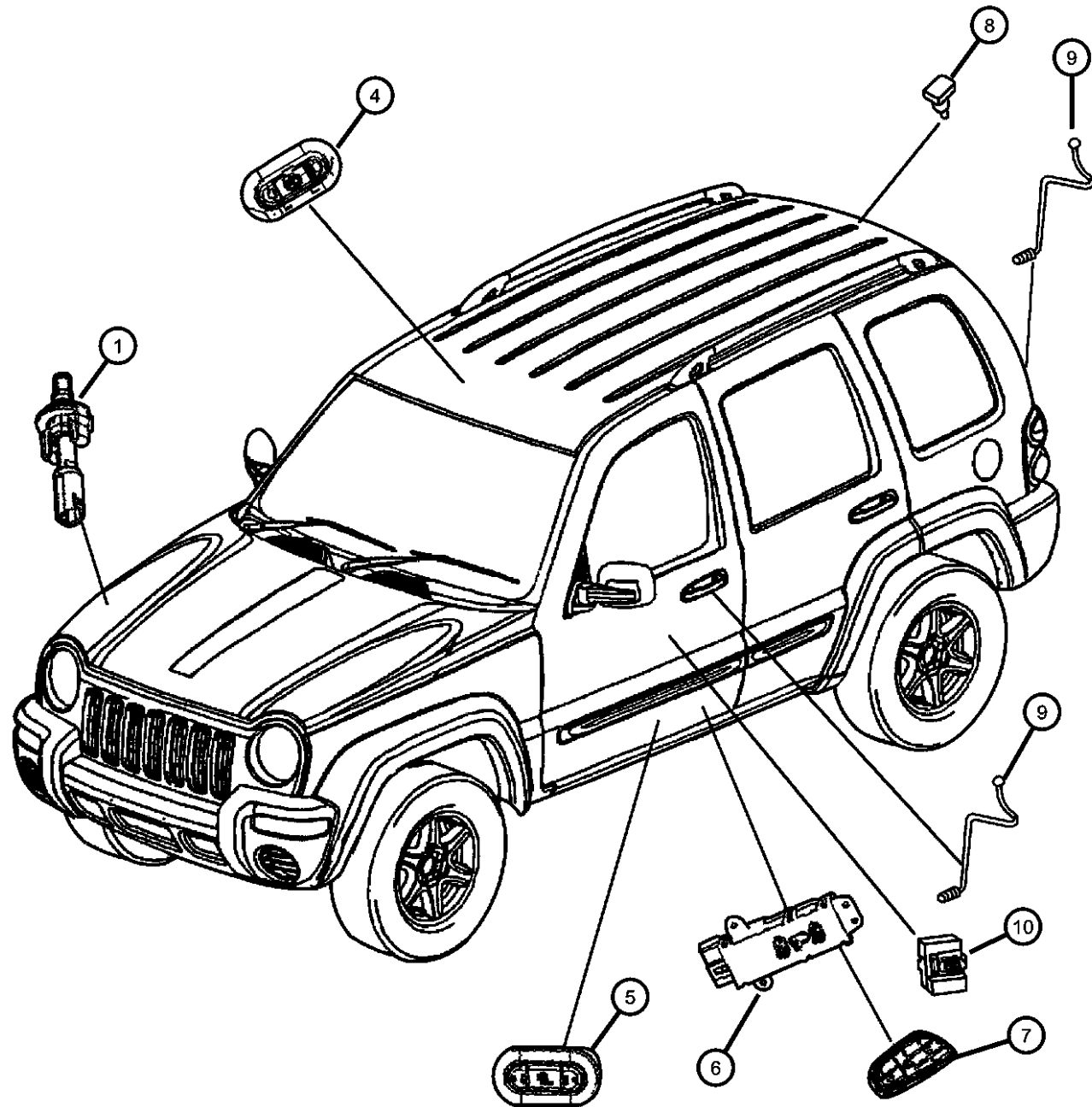
TRANSMISSION

DDD = Transmission - 5-Speed HD
Manual
DDK = Transmission - 5-Speed HD
Manual
DG4 = Transmission-Multi-Speed
Auto, 45RFE
DG6 = Transmission-4-Spd.
Automatic, 42RLE
DGQ = Transmission-5-Spd Automatic
5-45RFE
DBB = All Manual Transmissions
DG0 = All Automatic Transmissions

AR = use ase required - = Non illustrated part

2004 KJ

Switches (Body)
Figure 8-830



ITEM	PART NUMBER	QTY	LINE	SERIES	BODY	ENGINE	TRANS	TRIM	DESCRIPTION
1	04707875AB	1							SWITCH, Underhood
-2	56010290AB	1							BRACKET, Hood Ajar Disarm Switch
-3	56010147AE	1							PLATE, Striker, Underhood Switch
4	5GM78TL2AA	1	J, T						SWITCH, Sunroof
		1	J, U						
		1							
5	5GW44DX9AB	2	J, T						SWITCH, Heated Seat
									[D2] Up to 12/04/03
		2	J, T						[L2] Up to 12/04/03
		2	J, U						[DV] Export up to 12/04/03
		2	J, U						[L2] Export up to 12/04/03
	5GW44DX9AC	2	J, T						[D2] After 12/04/03
		2	J, T						[L2] After 12/04/03
		2	J, U						[DV] Export after 12/04/03
		2	J, U						[L2] Export after 12/04/03
6	55352782AA	2							SWITCH, Seat
7	04607042AB	1							KNOB, Power Seat Switch
	04607043AB	1							Right
									Left
8	04685445	1	J, U						SWITCH, Reading Lamp
		1	J, T						Rear Cargo Lamp (Export)
									Rear Cargo Lamp (U.S.A. / Mexico / Canada)
9	05072956AA	1	J, T						SWITCH, Security Alarm
	05072957AA	1	J, T						[LSA,GXM]
10	56010695AA	2							SWITCH, Door Lock
		1	J, T						

LIBERTY (KJ)

SERIES LINE
P = Limited J = LHD (4WD)
H = Sport U = RHD (4WD)
M = Renegade T = LHD (2WD)

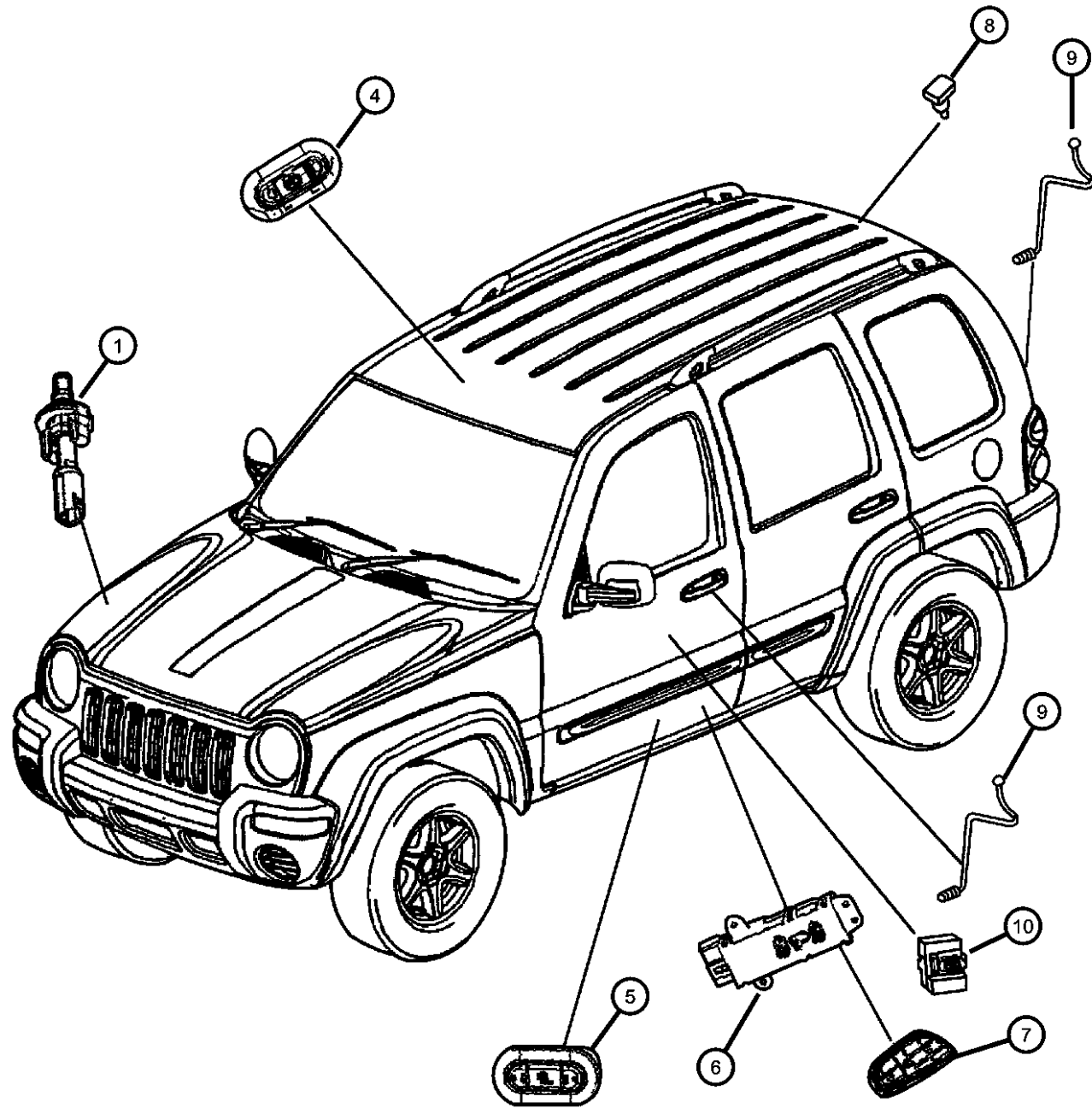
BODY
74 = 4 Door (104.3 WB)

ENGINE TRANSMISSION
ED1 = Engine - 2.4L 4 Cyl DOHC 16v SMPI
EKG = Engine - 3.7L V6
ENJ = Engine -2.5L 4 Cyl 16v Turbo Diesel
ENR = Engine - 2.8L 4 Cyl Turbo Diesel
ENO = 4Cyl Turbo Diesel
EKO = All 3.7L
EDO = All 2.4L
DDD = Transmission - 5-Speed HD Manual
DDK = Transmission - 5-Speed HD Manual
DG4 = Transmission-Multi-Speed Auto, 45RFE
DG6 = Transmission-4-Spd. Automatic, 42RLE
DGQ = Transmission-5-Spd Automatic 5-45RFE
DBB = All Manual Transmissions
DG0 = All Automatic Transmissions

AR = use ase required - = Non illustrated part

2004 KJ

Switches (Body)
Figure 8-830



ITEM	PART NUMBER	QTY	LINE	SERIES	BODY	ENGINE	TRANS	TRIM	DESCRIPTION
-11	04886258AA	1	U		74				SWITCH, Programing Bypass
-12	56010696AA	1	J, T						SWITCH, Mirror
	56010697AA	1	U						

LIBERTY (KJ)

SERIES

P = Limited
H = Sport
M = Renegade

LINE

J = LHD (4WD)
U = RHD (4WD)
T = LHD (2WD)

BODY

74 = 4 Door (104.3 WB)

ENGINE

ED1 = Engine - 2.4L 4 Cyl
DOHC 16v SMPI
EKG = Engine - 3.7L V6
ENJ = Engine -2.5L 4 Cyl 16V
Turbo Diesel
ENR = Engine - 2.8L 4 Cyl
Turbo Diesel
ENO = 4Cyl Turbo Diesel
EKO = All 3.7L
EDO = All 2.4L

TRANSMISSION

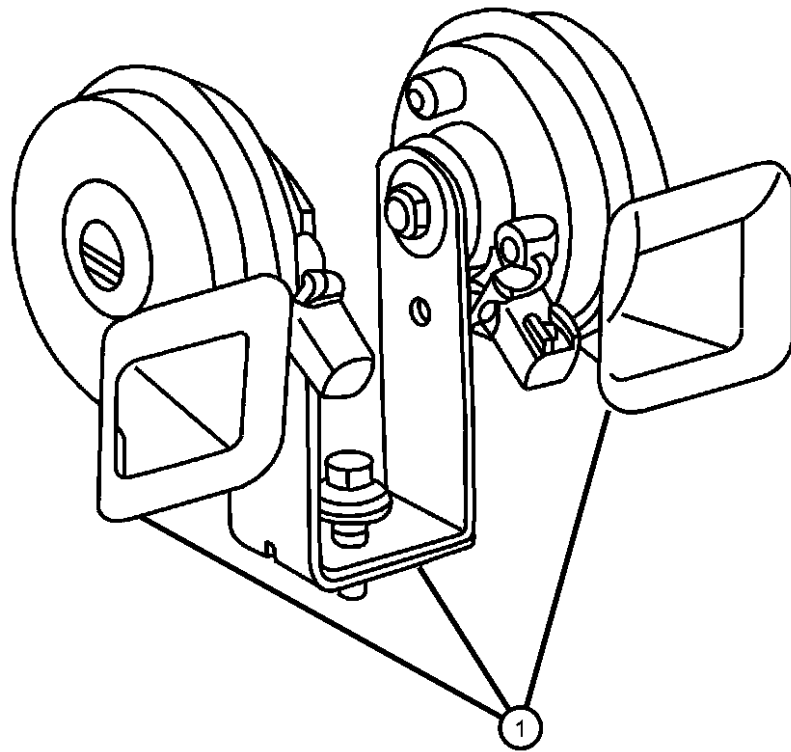
DDD = Transmission - 5-Speed HD
Manual
DDK = Transmission - 5-Speed HD
Manual
DG4 = Transmission-Multi-Speed
Auto, 45RFE
DG6 = Transmission-4-Spd.
Automatic, 42RLE
DGQ = Transmission-5-Spd Automatic
5-45RFE
DBB = All Manual Transmissions
DG0 = All Automatic Transmissions

AR = use ase required - = Non illustrated part

2004 KJ

Horns
Figure 8-910

ITEM	PART NUMBER	QTY	LINE	SERIES	BODY	ENGINE	TRANS	TRIM	DESCRIPTION
1	56010313AC	1							HORN AND BRACKET, Dual
-2	56010335AC	1							SIREN, Alarm



LIBERTY (KJ)

SERIES LINE
P = Limited J = LHD (4WD)
H = Sport U = RHD (4WD)
M = Renegade T = LHD (2WD)

BODY
74 = 4 Door (104.3 WB)

ENGINE
ED1 = Engine - 2.4L 4 Cyl
DOHC 16v SMPI
EKG = Engine - 3.7L V6
ENJ = Engine -2.5L 4 Cyl 16V
Turbo Diesel
ENR = Engine - 2.8L 4 Cyl
Turbo Diesel
ENO = 4Cyl Turbo Diesel
EK0 = All 3.7L
ED0 = All 2.4L

TRANSMISSION
DDD = Transmission - 5-Speed HD
Manual
DDK = Transmission - 5-Speed HD
Manual
DG4 = Transmission-Multi-Speed
Auto, 45RFE
DG6 = Transmission-4-Spd.
Automatic, 42RLE
DGQ = Transmission-5-Spd Automatic
5-45RFE
DBB = All Manual Transmissions
DG0 = All Automatic Transmissions

AR = use ase required - = Non illustrated part

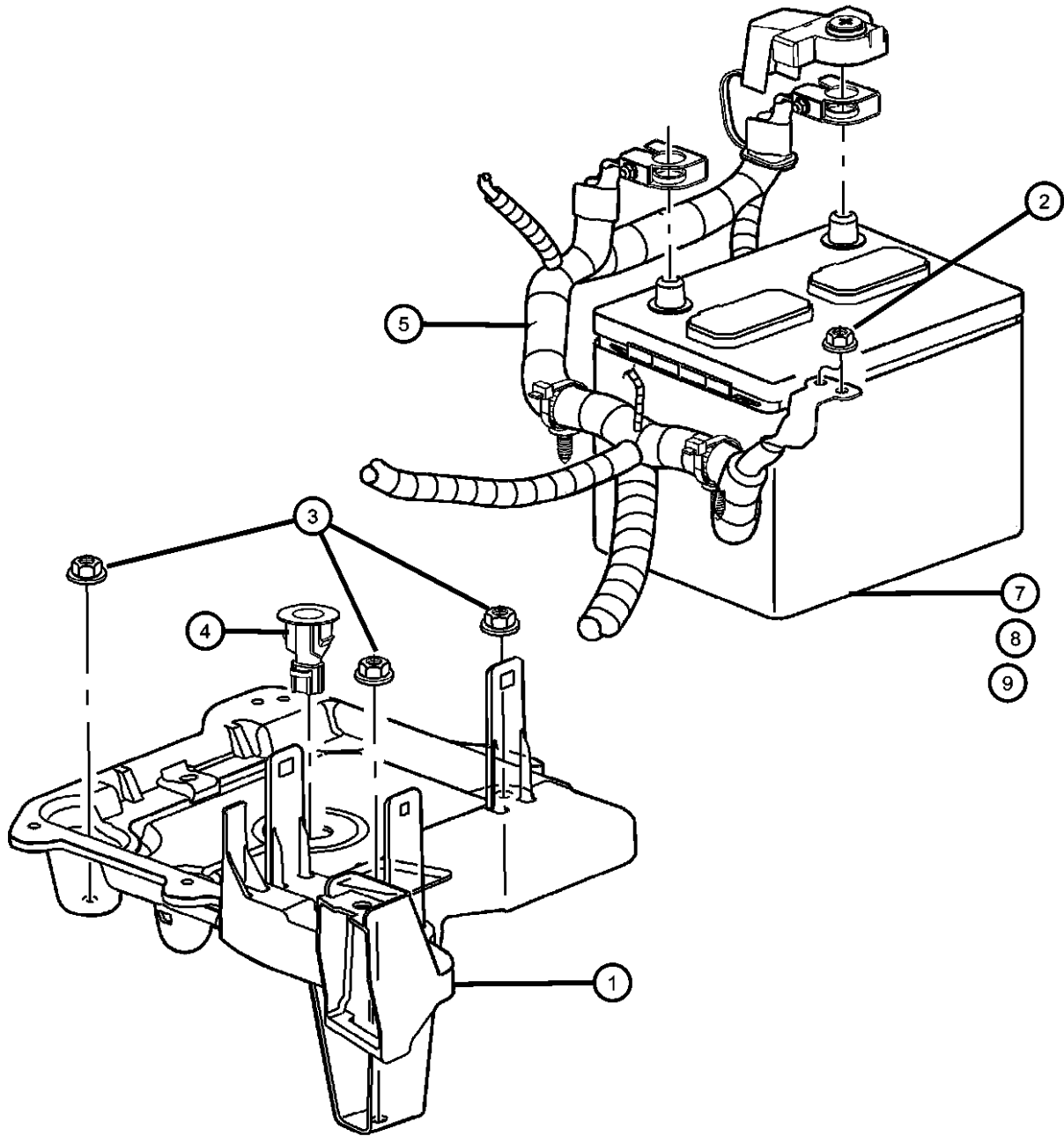
2004 KJ

Battery Tray & Cables

Figure 8-1010

ITEM	PART NUMBER	QTY	LINE	SERIES	BODY	ENGINE	TRANS	TRIM	DESCRIPTION
------	-------------	-----	------	--------	------	--------	-------	------	-------------

Notes:
 [ED0] = 2.4L 4 Cylinder Engine
 [EK0] = 3.7L V6 Cylinder Engine
 [EN0] = All 4/5 Cylinder Turbo Diesel Engine



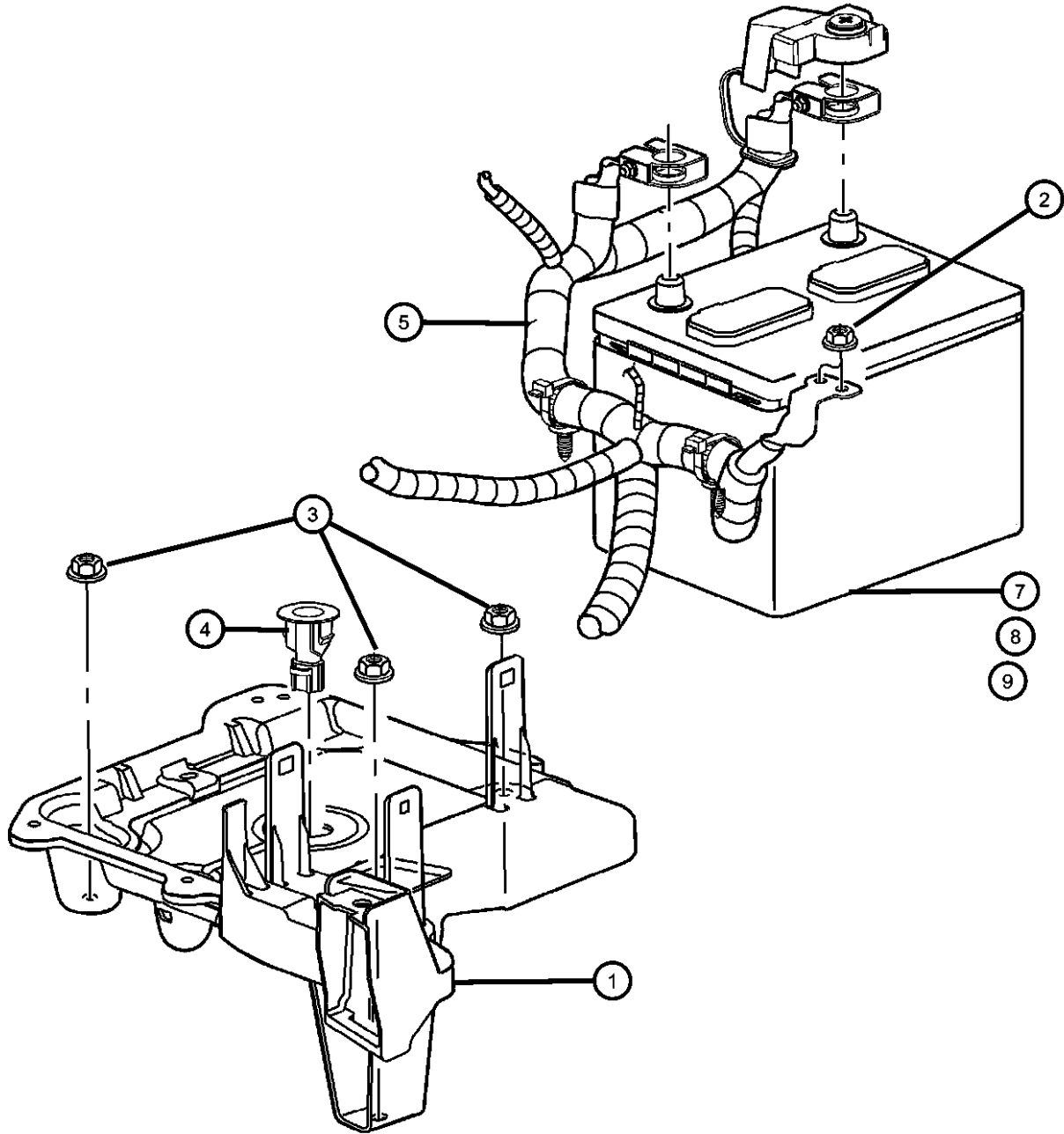
1									SUPPORT, Battery
	55360639AA	1				ED0, EK0			
	04609365AC								Mopar Power Pro 7
	55360654AA	1				EN0			
2	06101808	2							NUT, Hex, M6x1
3	06504030	2	J, T						NUT AND WASHER, Hex, M6x1
4	56041053	1							SENSOR, Battery Temperature
5									WIRING, Alternator and Battery
	56010480AE	1		H, P		EK0			
	56010481AC	1				ED0			
	56050402AB	1				EN0			
-6	56010479AC	1		M		EK0			WIRING, Alternator
7									BATTERY
	04364944	1				ED0, EK0			[BC2] Up to 12/18/03
	BAUNV34650								Mopar Universal Battery
	NAS34770EX								Mopar NASCAR Battery
	04609365AD	1				ED0, EK0			[BC2] After 12/18/03
	BA078770EX								Mopar Power Pro 7
	BA034600EX								Mopar Power Pro 6
	BA034500EX								Mopar Power Pro 5
	JEEP034770								Mopar Jeep Xtreme
	BAUNV34650								Mopar Universal Battery
	BAUNV75450								Mopar Universal Battery
8	04868999AB	1				EN0			BATTERY, Storage
9	04850377	1				ED0, EK0			BATTERY, Dry, Size 34 CCA 600, Mexico
-10									LABEL, Battery
	04793062	1				ED0, EK0			Europe

LIBERTY (KJ)				
SERIES	LINE	BODY	ENGINE	TRANSMISSION
P = Limited	J = LHD (4WD)	74 = 4 Door (104.3 WB)	ED1 = Engine - 2.4L 4 Cyl DOHC 16v SMPI	DDD = Transmission - 5-Speed HD Manual
H = Sport	U = RHD (4WD)		EKG = Engine - 3.7L V6	DDK = Transmission - 5-Speed HD Manual
M = Renegade	T = LHD (2WD)		ENJ = Engine -2.5L 4 Cyl 16V Turbo Diesel	DG4 = Transmission-Multi-Speed Auto, 45RFE
			ENR = Engine - 2.8L 4 Cyl Turbo Diesel	DG6 = Transmission-4-Spd. Automatic, 42RLE
			EN0 = 4Cyl Turbo Diesel	DGQ = Transmission-5-Spd Automatic 5-45RFE
			EK0 = All 3.7L	DBB = All Manual Transmissions
			ED0 = All 2.4L	DG0 = All Automatic Transmissions

AR = use ase required - = Non illustrated part

Battery Tray & Cables
Figure 8-1010

ITEM	PART NUMBER	QTY	LINE	SERIES	BODY	ENGINE	TRANS	TRIM	DESCRIPTION
	56041046	1	J, T						Canada
-11	55136959AC	1							BRACKET, Battery Hold Down



LIBERTY (KJ)

SERIES	LINE
P = Limited	J = LHD (4WD)
H = Sport	U = RHD (4WD)
M = Renegade	T = LHD (2WD)

BODY
74 = 4 Door (104.3 WB)

ENGINE
ED1 = Engine - 2.4L 4 Cyl
DOHC 16v SMPI
EKG = Engine - 3.7L V6
ENJ = Engine -2.5L 4 Cyl 16V
Turbo Diesel
ENR = Engine - 2.8L 4 Cyl
Turbo Diesel
ENO = 4Cyl Turbo Diesel
EKO = All 3.7L
EDO = All 2.4L

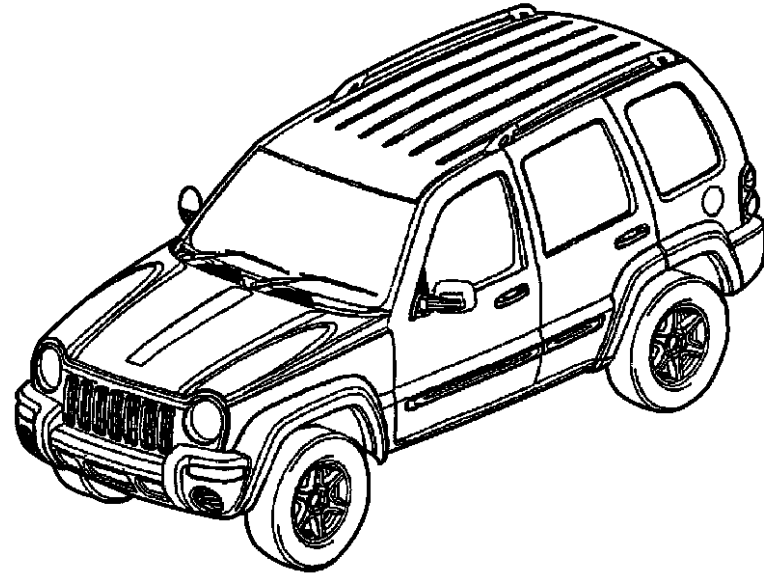
TRANSMISSION
DDD = Transmission - 5-Speed HD
Manual
DDK = Transmission - 5-Speed HD
Manual
DG4 = Transmission-Multi-Speed
Auto, 45RFE
DG6 = Transmission-4-Spd.
Automatic, 42RLE
DGQ = Transmission-5-Spd Automatic
5-45RFE
DBB = All Manual Transmissions
DG0 = All Automatic Transmissions

AR = use ase required - = Non illustrated part

Lamp, Front
Figure 8-1110

ITEM	PART NUMBER	QTY	LINE	SERIES	BODY	ENGINE	TRANS	TRIM	DESCRIPTION
------	-------------	-----	------	--------	------	--------	-------	------	-------------

Notes:
 [ED0] = 2.4L 4 Cylinder Engine
 [EK0] = 3.7L V6 Cylinder Engine
 [EN0] = All 4/5 Cylinder Turbo Diesel Engine



1	55155800AF	1	J			ED0, EK0			REINFORCEMENT, Grille Opening
		1	J			EN0			
		1	U			ED0, EK0			
		1	U			EN0			
		1	J, T						
2	55155808AB	1	J, T						HEADLAMP Right
	55155809AB	1	J, T						Left
	55155812AD	1	J			ED0, EK0			Export, Right
		1	J			EN0			Export, Right
	55155813AD	1	J			ED0, EK0			Export, Left
		1	J			EN0			Export, Left
	55155814AD	1	U			ED0, EK0			Export, Right
		1	U			EN0			Export, Right
	55155815AD	1	U			ED0, EK0			Export, Left
		1	U			EN0			Export, Left
	55155816AD	1	J			ED0, EK0			Export with Headlamp Leveling, Right
		1	J			EN0			Export with Headlamp Leveling, Right
	55155817AD	1	J			ED0, EK0			Export with Headlamp Leveling, Left
		1	J			EN0			Export with Headlamp Leveling, Left
	55155818AD	1	U			ED0, EK0			Export with Headlamp Leveling, Right
		1	U			EN0			Export with Headlamp Leveling, Right
	55155819AD	1	U			ED0, EK0			Export with Headlamp Leveling, Left

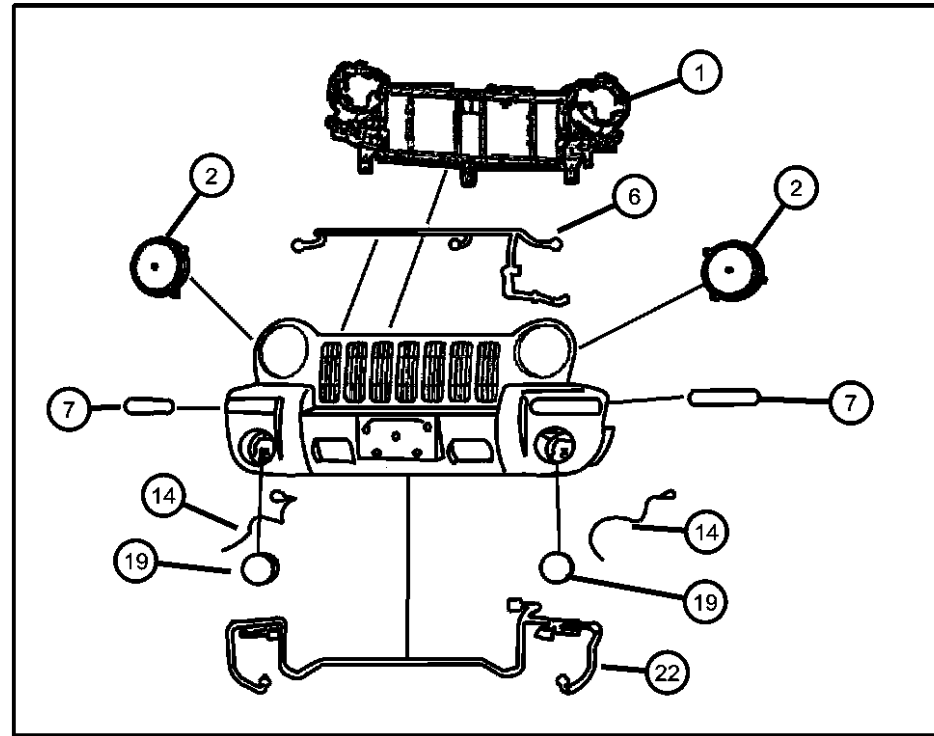
LIBERTY (KJ)

SERIES LINE
 P = Limited J = LHD (4WD)
 H = Sport U = RHD (4WD)
 M = Renegade T = LHD (2WD)

BODY
 74 = 4 Door (104.3 WB)

ENGINE
 ED1 = Engine - 2.4L 4 Cyl
 DOHC 16v SMPI
 EKG = Engine - 3.7L V6
 ENJ = Engine -2.5L 4 Cyl 16V
 Turbo Diesel
 ENR = Engine - 2.8L 4 Cyl
 Turbo Diesel
 EN0 = 4Cyl Turbo Diesel
 EK0 = All 3.7L
 ED0 = All 2.4L

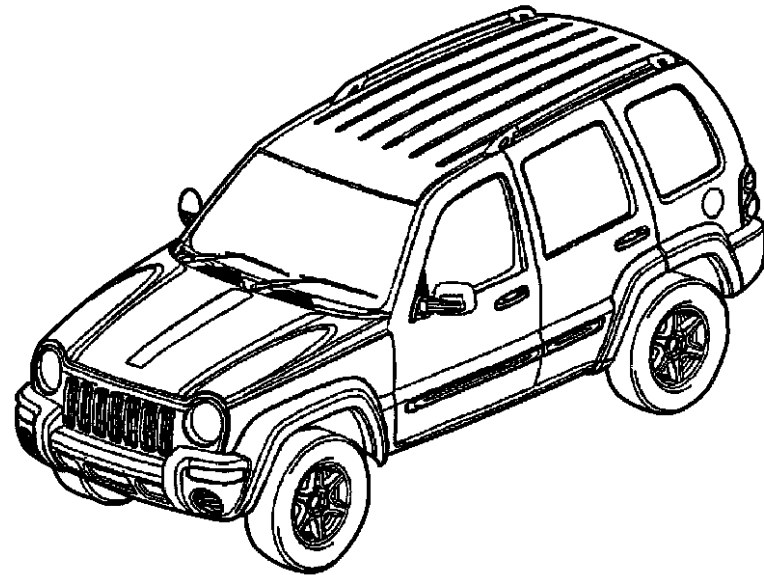
TRANSMISSION
 DDD = Transmission - 5-Speed HD
 Manual
 DDK = Transmission - 5-Speed HD
 Manual
 DG4 = Transmission-Multi-Speed
 Auto, 45RFE
 DG6 = Transmission-4-Spd.
 Automatic, 42RLE
 DGQ = Transmission-5-Spd Automatic
 5-45RFE
 DBB = All Manual Transmissions
 DG0 = All Automatic Transmissions



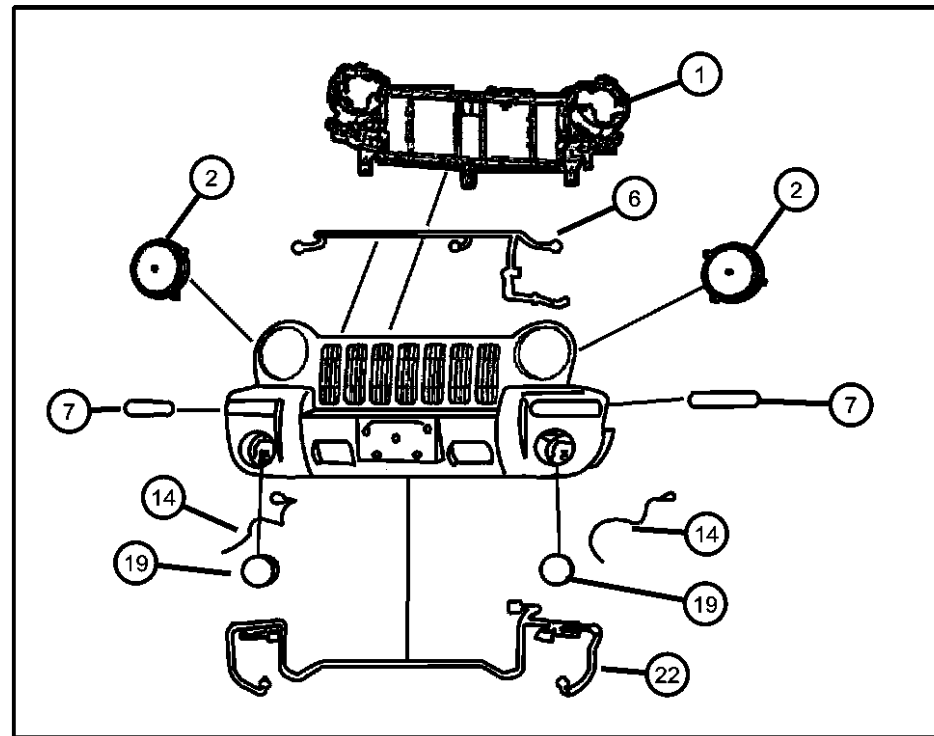
AR = use ase required - = Non illustrated part

2004 KJ

Lamp, Front
Figure 8-1110



ITEM	PART NUMBER	QTY	LINE	SERIES	BODY	ENGINE	TRANS	TRIM	DESCRIPTION
		1	U			ENO			Export with Headlamp Leveling, Left
-3	06505903AA	4							SCREW AND WASHER, Self Tapping, M6x1x22, Headlamp Mounting
-4	L0009006	2							BULB, Headlamp
	L0009007QL	1	J, T						Export
-5	05126316AA	1	J, T						Right & Left
6									RETAINER, Headlamp Bulb
	55155946AA	1	J, T						WIRING, Headlamp
	55155947AA	1	J			ED0, EK0			Export
		1	U			ED0, EK0			Export
		1	U			ENO			Export
	55155948AA	1	J			ED0, EK0			Export with Headlamp Leveling
		1	U			ED0, EK0			Export with Headlamp Leveling
		1	U			ENO			Export with Headlamp Leveling
7									LAMP, Front Combination
	55155910AC	1							Right
	55155911AC	1							Left
	55155934AC	1							Export, Right
	55155935AC	1							Export, Left
-8	06036216AA	2							SCREW, Tapping, .164-18x.625, Combination lamp attaching
-9	L0003157	1							BULB, 3157
-10	04857327AB	1							SOCKET, Turn signal
-11	55156754AA	1							SOCKET, Side Marker
-12	L0000168	1							BULB, 168
-13	04857327AB	1							SOCKET
14	05288895AC	1							LAMP, Side Repeater
-15	00153625	2							BULB, W10/5
-16	04676801	1							GASKET, Side Marker Lamp



LIBERTY (KJ)

SERIES LINE
P = Limited J = LHD (4WD)
H = Sport U = RHD (4WD)
M = Renegade T = LHD (2WD)

BODY
74 = 4 Door (104.3 WB)

ENGINE
ED1 = Engine - 2.4L 4 Cyl DOHC 16v SMPI
EKG = Engine - 3.7L V6
ENJ = Engine -2.5L 4 Cyl 16v Turbo Diesel
ENR = Engine - 2.8L 4 Cyl Turbo Diesel
ENO = 4Cyl Turbo Diesel
EKO = All 3.7L
ED0 = All 2.4L

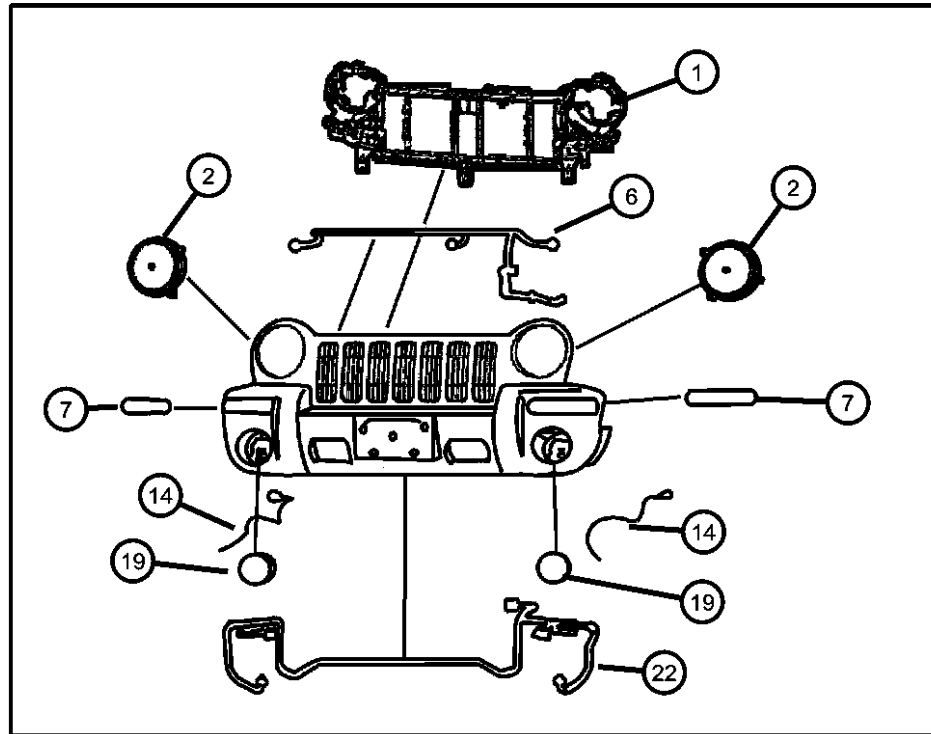
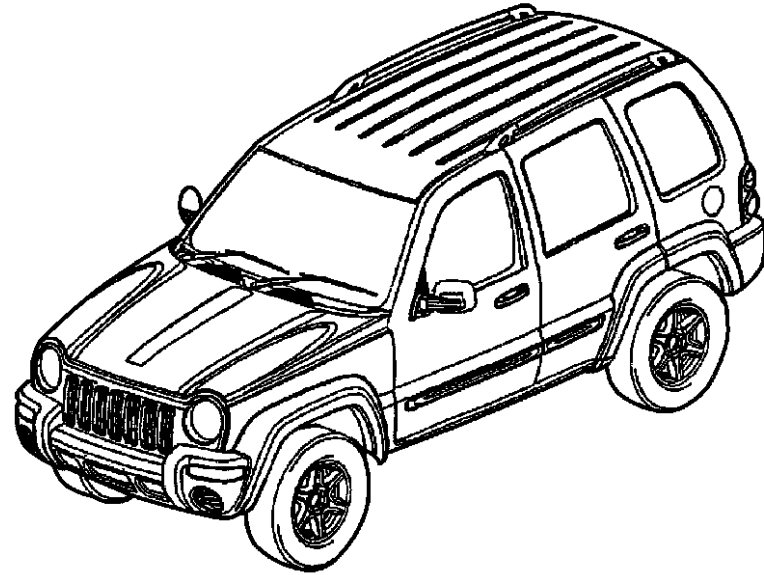
TRANSMISSION
DDD = Transmission - 5-Speed HD Manual
DDK = Transmission - 5-Speed HD Manual
DG4 = Transmission-Multi-Speed Auto, 45RFE
DG6 = Transmission-4-Spd. Automatic, 42RLE
DGQ = Transmission-5-Spd Automatic 5-45RFE
DBB = All Manual Transmissions
DG0 = All Automatic Transmissions

AR = use ase required - = Non illustrated part

2004 KJ

Lamp, Front
Figure 8-1110

ITEM	PART NUMBER	QTY	LINE	SERIES	BODY	ENGINE	TRANS	TRIM	DESCRIPTION
-17	05288931AA	1							SOCKET, Side Repeater Lamp
-18	55156010AA	1							WIRING, Side Repeater Lamp
19									LAMP, Fog
	05083895AC	1							Left
	05083896AC	1							Right
-20	L0009145	1							BULB, Fog Lamp, 50 Watt
-21	06506579AA	6							SCREW, Fog Lamp, Foglamp Mounting
22									WIRING, Front End Lighting
	55155949AA	1							[MLC]
	55155950AC	1							[LNJ,MLA]
		1							[MLC,LNJ]
		1							[ML3]
		1							[MCU]
	55155951AB	1							[MLC,ABE]
	55155952AC	1							[MLC,ABE,LNJ]
		1							[ML3,ABE]
		1							[MLA,ABE,LNJ]
		1							[MCU,ABE]
-23	52112063AC	4							LAMP, Off Road
-24	5HZ08RXFAF	1							COVER, Light Bar Support, Black
-25	52112062AA	1							WIRING, Off Road Light
-26	5HZ07RXFAF	4							COVER, Lamp



LIBERTY (KJ)

SERIES

P = Limited
H = Sport
M = Renegade

LINE

J = LHD (4WD)
U = RHD (4WD)
T = LHD (2WD)

BODY

74 = 4 Door (104.3 WB)

ENGINE

ED1 = Engine - 2.4L 4 Cyl
DOHC 16v SMPI
EKG = Engine - 3.7L V6
ENJ = Engine -2.5L 4 Cyl 16V
Turbo Diesel
ENR = Engine - 2.8L 4 Cyl
Turbo Diesel
ENO = 4Cyl Turbo Diesel
EKO = All 3.7L
EDO = All 2.4L

TRANSMISSION

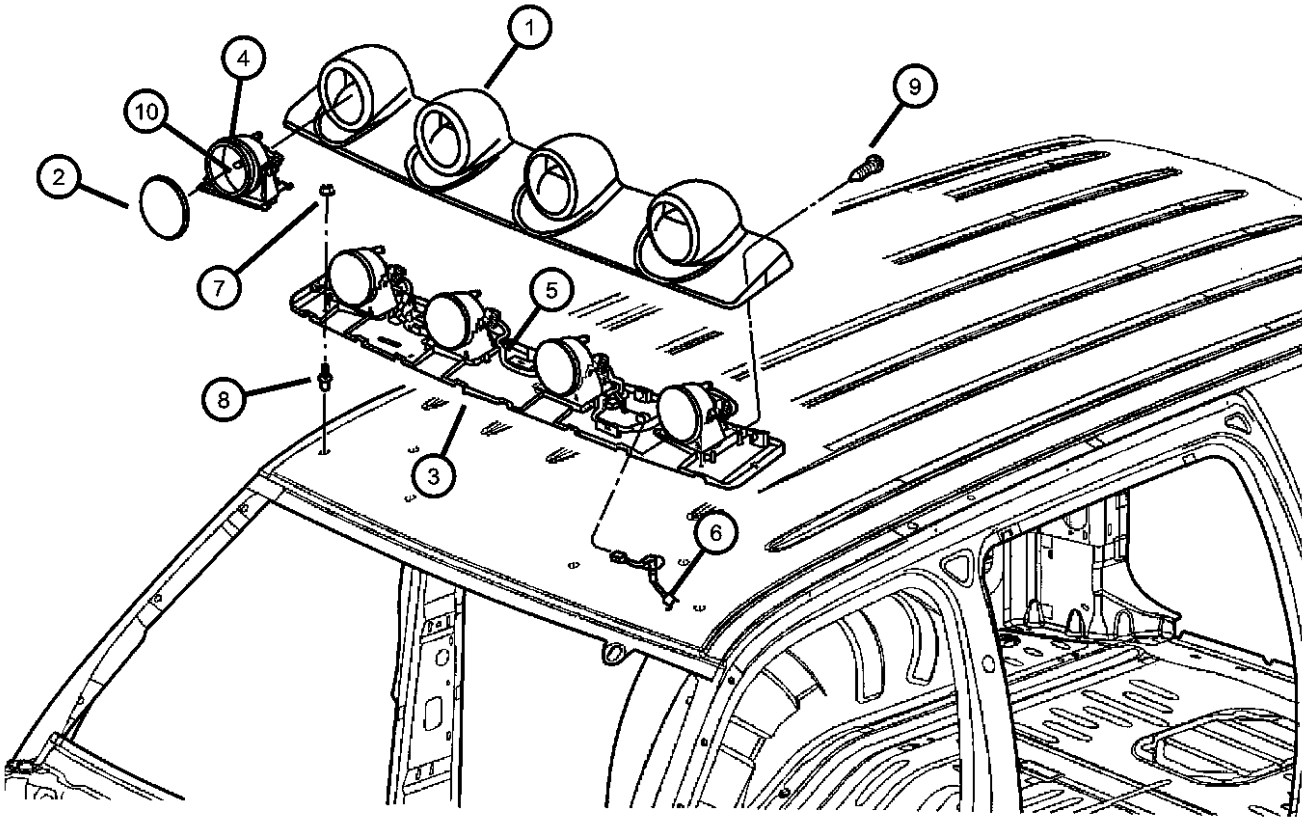
DDD = Transmission - 5-Speed HD
Manual
DDK = Transmission - 5-Speed HD
Manual
DG4 = Transmission-Multi-Speed
Auto, 45RFE
DG6 = Transmission-4-Spd.
Automatic, 42RLE
DGQ = Transmission-5-Spd Automatic
5-45RFE
DBB = All Manual Transmissions
DG0 = All Automatic Transmissions

AR = use ase required - = Non illustrated part

2004 KJ

Lamps Roof (Renegade)
Figure 8-1115

ITEM	PART NUMBER	QTY	LINE	SERIES	BODY	ENGINE	TRANS	TRIM	DESCRIPTION
1	5HZ01RXFAF	1							COVER, Light Bar Support Up to 11/20/03
	5HZ01RXFAG	1							After 11/20/03
	5HZ08RXFAF	1							Up to 11/20/03, Export
	5HZ08RXFAG	1							After 11/20/03, Export
2	5HZ07RXFAF	4							COVER, Lamp
3	05083967AA	1							BAR, Light Support
4	52112063AC	4							LAMP, Off Road
5									WIRING, Off Road Light
	52112062AA	1							Export
	52112092AA	1							Export
6	56010419AB	1			M				WIRING, Roof Lamps
7	06507782AA	6							RIVET STUD
8	06505953AA	4							NUT AND WASHER, M6x1
9	06507783AA	4							SCREW, Shoulder
10	L0009007QL	1	J, T						BULB, Headlamp



LIBERTY (KJ)

SERIES

P = Limited
H = Sport
M = Renegade

LINE

J = LHD (4WD)
U = RHD (4WD)
T = LHD (2WD)

BODY

74 = 4 Door (104.3 WB)

ENGINE

ED1 = Engine - 2.4L 4 Cyl
DOHC 16v SMPI
EKG = Engine - 3.7L V6
ENJ = Engine -2.5L 4 Cyl 16V
Turbo Diesel
ENR = Engine - 2.8L 4 Cyl
Turbo Diesel
ENO = 4Cyl Turbo Diesel
EKO = All 3.7L
EDO = All 2.4L

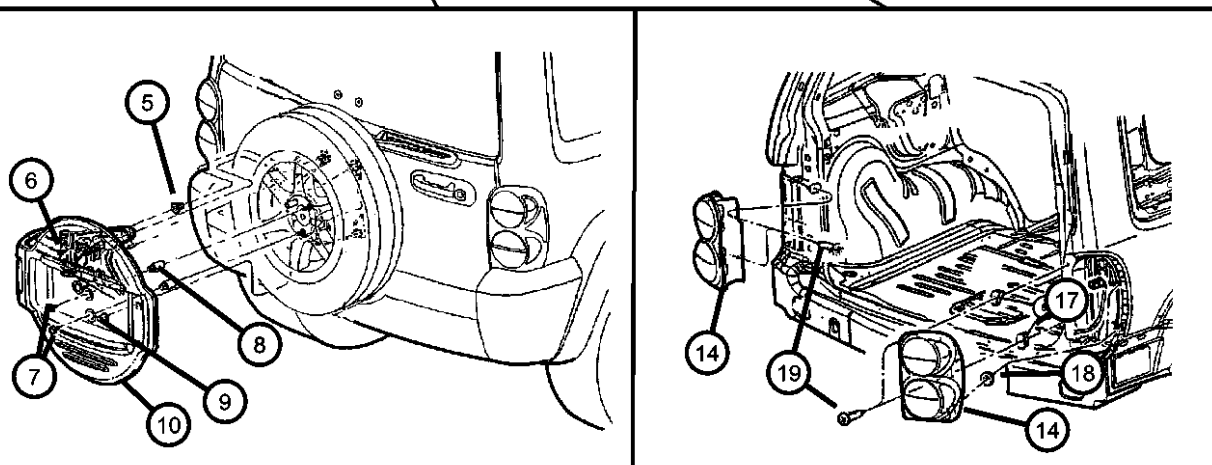
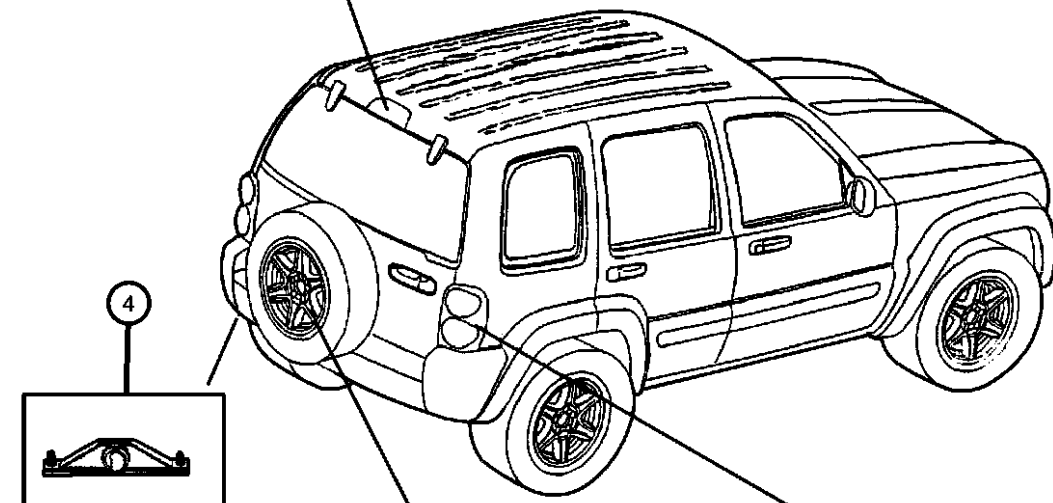
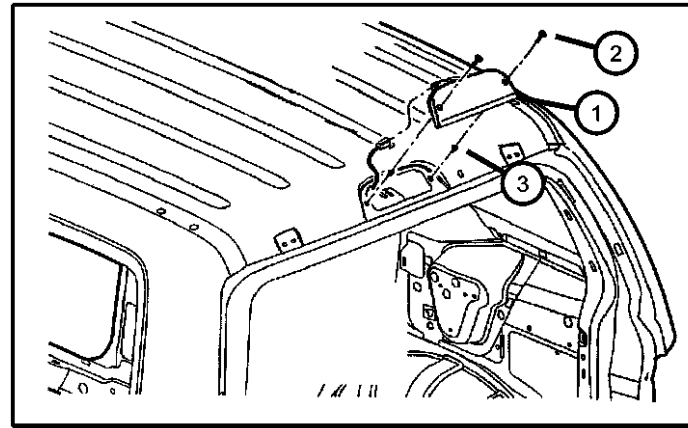
TRANSMISSION

DDD = Transmission - 5-Speed HD
Manual
DDK = Transmission - 5-Speed HD
Manual
DG4 = Transmission-Multi-Speed
Auto, 45RFE
DG6 = Transmission-4-Spd.
Automatic, 42RLE
DGQ = Transmission-5-Spd Automatic
5-45RFE
DBB = All Manual Transmissions
DG0 = All Automatic Transmissions

AR = use ase required - = Non illustrated part

2004 KJ

Lamp, Rear
Figure 8-1120



ITEM	PART NUMBER	QTY	LINE	SERIES	BODY	ENGINE	TRANS	TRIM	DESCRIPTION
1	55155832AB	1							LAMP, High Mounted Stop
2	06036534AA	2							SCREW, .19-16x1.00
3	06507330AA	2							NUT, Plastic Snap-in
4									LAMP, License Plate
	04574904	1							[MLC]
		1		M					[ML3]
		1							[MLA]
5		1							NUT/RIVET, M6x1.0, (NOT SERVICED),
6	06506429AA	2	J, U						SCREW, M8x1.25x21
7	06506429AA	2	J, U						SCREW, M8x1.25x21
8	06036303AA	2	J, U						NUT, .50-20
9	06507799AA	4							NUT, Wheel
10									BRACKET, License Plate
	5HF06RXFAI	1	J, U	H, P					Black
		1	J, U	M					Black
-11									LAMP, License
	55156006AA	2	J, U	H, P					[TBR], Export
		2	J, U	M					[TBR], Export
-12									WIRING, License Lamp
	56010329AD	1							
		1		M					
-13	00153625	2							BULB, W10/5
14									LAMP, Tail Stop Turn
	55155828AH	1							Right
	55155829AH	1							Left
	55155830AH	1							Export, Right
	55155831AH	1							Export, Left
-15	L0003157	1							BULB, 3157
-16									SOCKET, Board
	04676589	3							Tail Lamp Socket

LIBERTY (KJ)

SERIES

P = Limited

H = Sport

M = Renegade

LINE

J = LHD (4WD)

U = RHD (4WD)

T = LHD (2WD)

BODY

74 = 4 Door (104.3 WB)

ENGINE

ED1 = Engine - 2.4L 4 Cyl

DOHC 16v SMPI

EKG = Engine - 3.7L V6

ENJ = Engine -2.5L 4 Cyl 16V

Turbo Diesel

ENR = Engine - 2.8L 4 Cyl

Turbo Diesel

ENO = 4Cyl Turbo Diesel

EKO = All 3.7L

EDO = All 2.4L

TRANSMISSION

DDD = Transmission - 5-Speed HD

Manual

DDK = Transmission - 5-Speed HD

Manual

DG4 = Transmission-Multi-Speed

Auto, 45RFE

DG6 = Transmission-4-Spd.

Automatic, 42RLE

DGQ = Transmission-5-Spd Automatic

5-45RFE

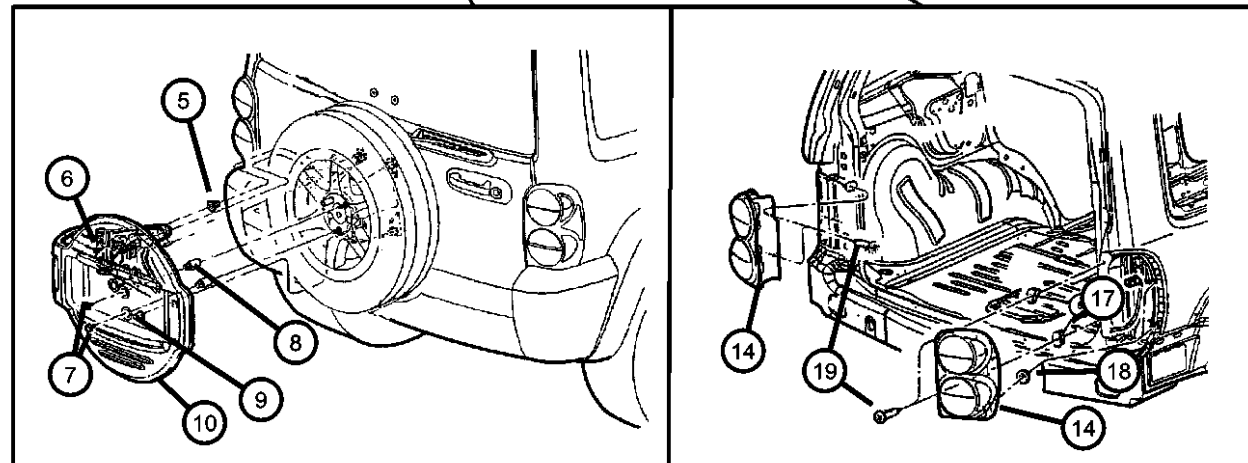
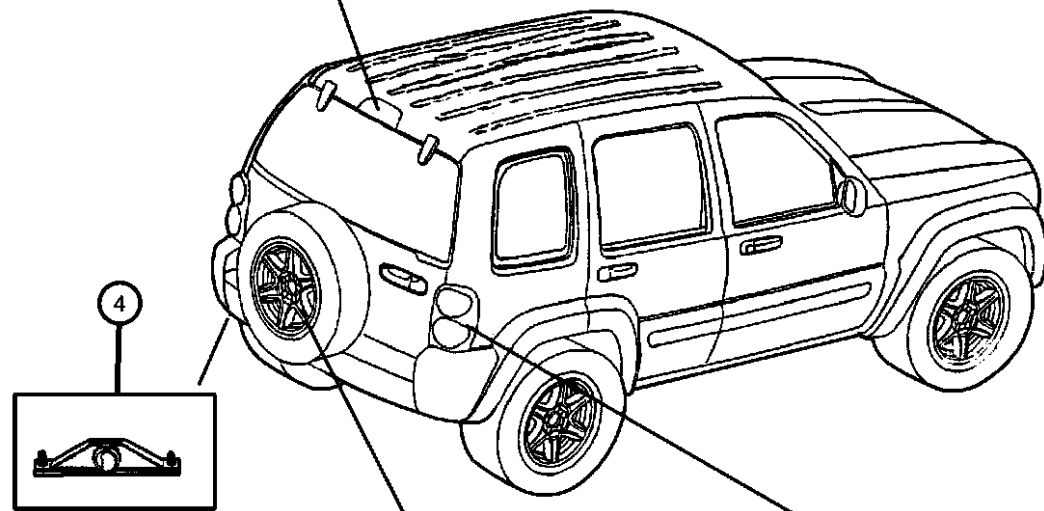
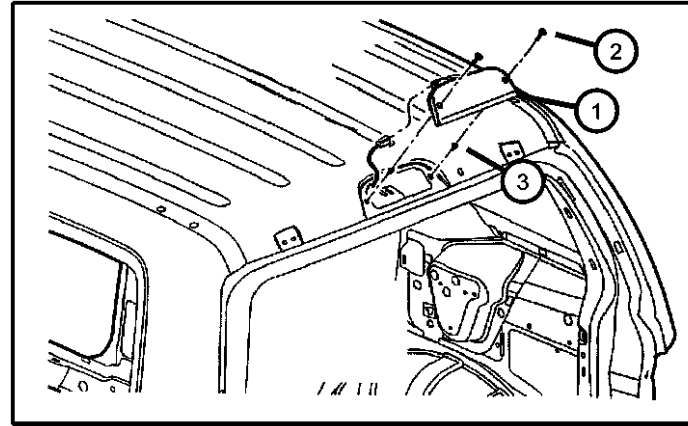
DBB = All Manual Transmissions

DG0 = All Automatic Transmissions

AR = use ase required - = Non illustrated part

2004 KJ

Lamp, Rear
Figure 8-1120



ITEM	PART NUMBER	QTY	LINE	SERIES	BODY	ENGINE	TRANS	TRIM	DESCRIPTION
		4							Tail Lamp Socket (Export)
17	06036508AA	4							NUT, Plastic Snap-in
18	06507347AA	4							NUT, Plastic Snap-in
19	06036366AA	4							SCREW, Tapping, .164-18x.75
-20									WIRING, Rear Lamp
	56010085AI	1	J, U						Export
	56010086AH	1	J, T						

LIBERTY (KJ)

SERIES

P = Limited
H = Sport
M = Renegade

LINE

J = LHD (4WD)
U = RHD (4WD)
T = LHD (2WD)

BODY

74 = 4 Door (104.3 WB)

ENGINE

ED1 = Engine - 2.4L 4 Cyl
DOHC 16v SMPI
EKG = Engine - 3.7L V6
ENJ = Engine -2.5L 4 Cyl 16V
Turbo Diesel
ENR = Engine - 2.8L 4 Cyl
Turbo Diesel
ENO = 4Cyl Turbo Diesel
EKO = All 3.7L
EDO = All 2.4L

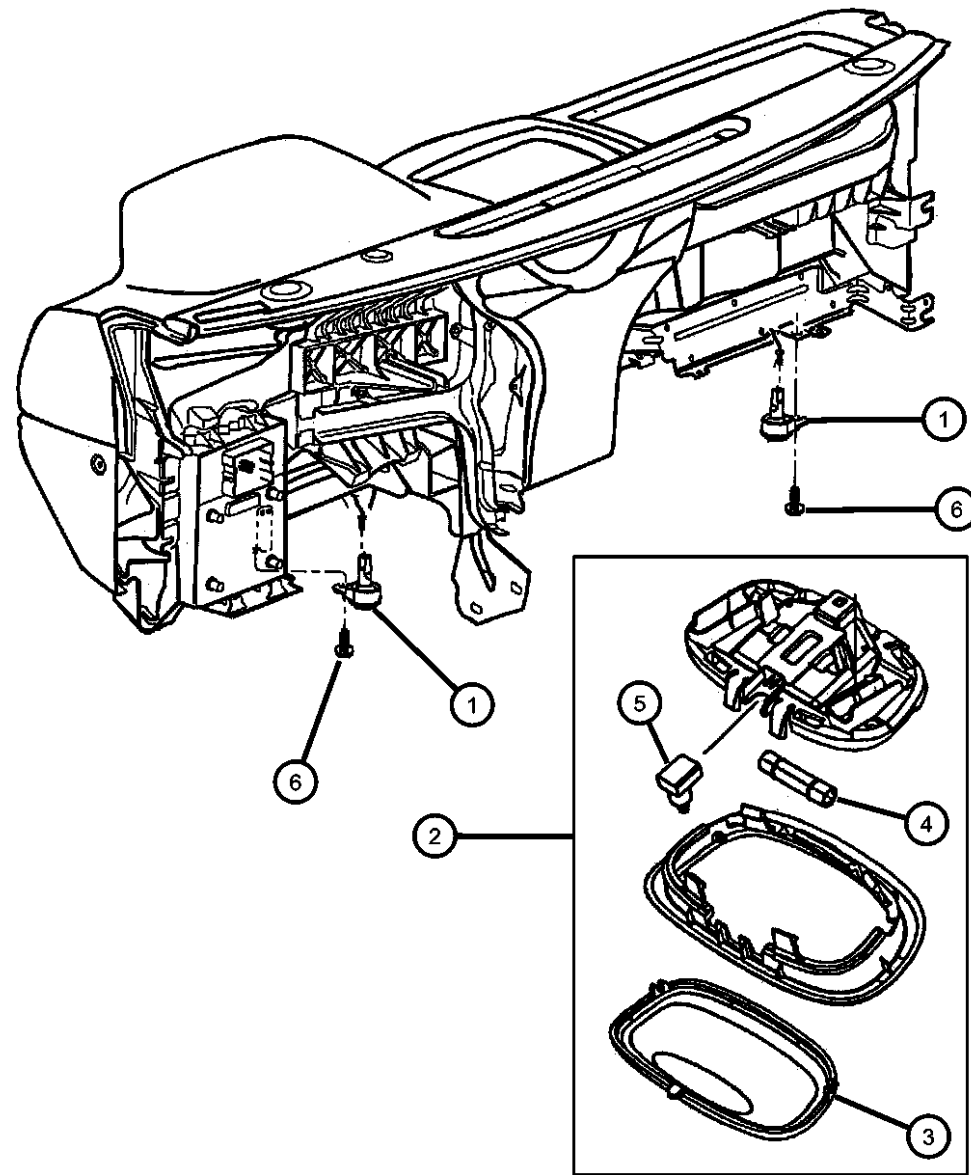
TRANSMISSION

DDD = Transmission - 5-Speed HD
Manual
DDK = Transmission - 5-Speed HD
Manual
DG4 = Transmission-Multi-Speed
Auto, 45RFE
DG6 = Transmission-4-Spd.
Automatic, 42RLE
DGQ = Transmission-5-Spd Automatic
5-45RFE
DBB = All Manual Transmissions
DG0 = All Automatic Transmissions

AR = use ase required - = Non illustrated part

2004 KJ

Lamp, Courtesy
Figure 8-1130



ITEM	PART NUMBER	QTY	LINE	SERIES	BODY	ENGINE	TRANS	TRIM	DESCRIPTION
1	56042559AA	2		M, P					LAMP, Courtesy
2	5FT10TL2	1	J, T						LAMP, Cargo, Beige
3	55196755AA	1	J, T						LENS, Cargo Lamp
4	L0021202	1	J, T						BULB, 212-2
5	04685445	1	J, T						SWITCH, Reading Lamp, Cargo Lamp
6	04685445	1							SCREW, Tap./Hex. Flg. HD M4.2x1.70x15.00, (NOT SERVICED)
-7	04437661	3	J, T						LAMP, Message Center
-8	0JV76TL2	1	J, T						LAMP, Dome, Beige
-9	04762566	1	J, T						LENS, Dome Lamp
-10	04762566	1	J, T						LENS, Dome Lamp
-11									COVER, Lamp
	5HZ07RXFAB	4							Light Bar Roof Mounted (Up to 10/30/02)
	5HZ07RXFAF	4							Light Bar Roof Mounted (10/30/02 & After)
-12	56010552AB	1							LAMP, Warning, Passenger Airbag ON/OFF System
-13									LAMP, Reading
	0PB83TL2AB	1	J, U						
		1	J, T						

LIBERTY (KJ)

SERIES

P = Limited
H = Sport
M = Renegade

LINE

J = LHD (4WD)
U = RHD (4WD)
T = LHD (2WD)

BODY

74 = 4 Door (104.3 WB)

ENGINE

ED1 = Engine - 2.4L 4 Cyl DOHC 16v SMPI
EKG = Engine - 3.7L V6
ENJ = Engine -2.5L 4 Cyl 16v Turbo Diesel
ENR = Engine - 2.8L 4 Cyl Turbo Diesel
ENO = 4Cyl Turbo Diesel
EKO = All 3.7L
EDO = All 2.4L

TRANSMISSION

DDD = Transmission - 5-Speed HD Manual
DDK = Transmission - 5-Speed HD Manual
DG4 = Transmission-Multi-Speed Auto, 45RFE
DG6 = Transmission-4-Spd. Automatic, 42RLE
DGQ = Transmission-5-Spd Automatic 5-45RFE
DBB = All Manual Transmissions
DG0 = All Automatic Transmissions

AR = use ase required - = Non illustrated part

2004 KJ

Bulbs
Figure 8-1135

LAMPS/LIGHTING - EXTERIOR

BULB APPLICATION TABLE	
LAMP	BULB
BACKUP	3157 P27/TW (1)
BRAKE	3157 P27/TW (1)
CENTER HIGH MOUNTED STOP	921/W16W (2)
FRONT FOG (FASCIA MOUNTED)	H3/55W
FRONT FOG (GRILLE MOUNTED)	9145/H10 (3)
FRONT PARK/TURN	3157 P27/TW (1)
FRONT POSITION	W5W (4)
FRONT SIDE MARKER	168 (5)
HEADLAMP (NORTH AMERICA)	9007QL (6)
HEADLAMP (EXCEPT NORTH AMERICA)	H-4 W0W6 (7)
LICENSE (NORTH AMERICA)	168 (5)
LICENSE (EXCEPT NORTH AMERICA)	W5W (4)
LIGHT BAR (OFF ROAD)	9006LL (8)
REAR FOG	3157 P27/TW (1)
REAR PARK/TAIL	3157 P27/TW (1)
REAR TURN	3757A PY27/TW
SIDE REPEATER	W5W (4)

LAMPS/LIGHTING - INTERIOR

COURTESY LAMPS

BULB APPLICATION TABLE	
LAMP	BULB
Cargo	578
Courtesy	906 (9)
Front Map/Reading	578
Rear Dome	578
Vanity Mirror	MOPAR 6501966 (10)

PANEL LAMPS

BULB APPLICATION TABLE	
LAMP	BULB
Ash Receiver	161 (11)
Cluster Illumination	103 (12)
Compass Mini-Trip Illumination	MOPAR 443766L (13)
Heater-A/C Control Illumination	74 (14)
Transmission Range Indicator Illumination	S14V

ITEM	PART NUMBER	QTY	LINE	SERIES	BODY	ENGINE	TRANS	TRIM	DESCRIPTION
N									
1	L0003157	1							BULB, 3157
2	L0000921	1							BULB, 921
3	L0009145	1							BULB, Fog Lamp, 50 Watt
4	L002825W5W	2							BULB, W10/5
5	L0000168	1							BULB, 168
6	L0009007QL	1	J, T						BULB, Headlamp
7									BULB, H4 Clear
	J3242537	1	J			ED0, EKO			
		1	J			ENO			
		1	U			ED0, EKO			
		1	U			ENO			
8	L0009006	1							BULB, Headlamp, Light bar
9	L0000906	1		M, P					BULB, 906
10	L0000037	1	J, U						BULB, 37
11	L0000037	1							BULB, 161, (NOT SERVICED)
12	04839738AA	9				ED0, EKO			BULB AND SOCKET
13									LAMP, Message Center
	04437661	1	J, U						
		1	J, T						
14	05069170AA	1							BULB, Heater and A/C Control
-15	L0003893	2							BULB, T8/4, Side Repeater Lamp
-16									BULB, 192
	00154537	2	J, T						
		2	J, U						
-17	L0000579	1	J, T						BULB, 579
-18	MS820083	1	J, T				DG0		BULB, 14V 1.4W, Shift indicator

LIBERTY (KJ)

SERIES LINE
P = Limited J = LHD (4WD)
H = Sport U = RHD (4WD)
M = Renegade T = LHD (2WD)

BODY
74 = 4 Door (104.3 WB)

ENGINE
ED1 = Engine - 2.4L 4 Cyl
DOHC 16v SMPI
EKG = Engine - 3.7L V6
ENJ = Engine -2.5L 4 Cyl 16V
Turbo Diesel
ENR = Engine - 2.8L 4 Cyl
Turbo Diesel
ENO = 4Cyl Turbo Diesel
EKO = All 3.7L
ED0 = All 2.4L

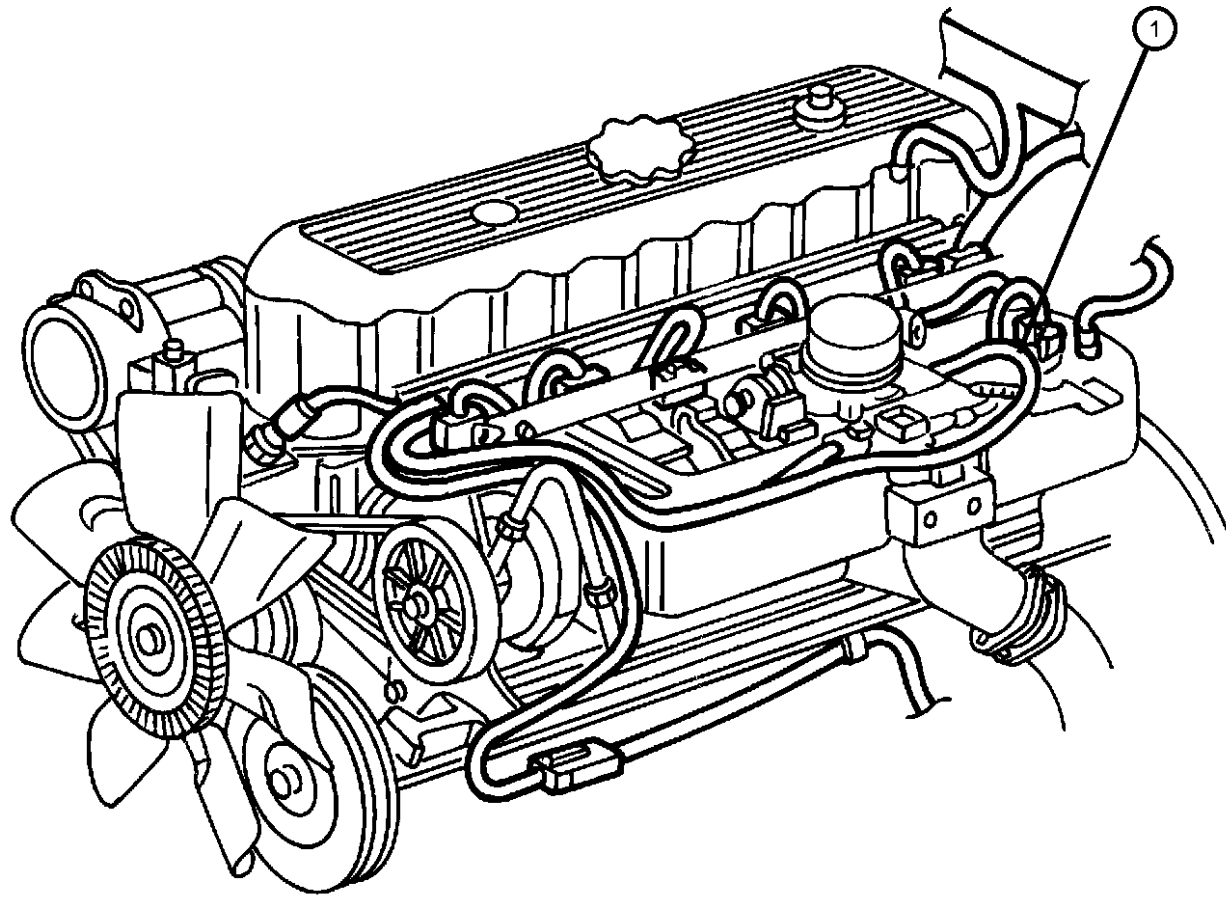
TRANSMISSION
DDD = Transmission - 5-Speed HD
Manual
DDK = Transmission - 5-Speed HD
Manual
DG4 = Transmission-Multi-Speed
Auto, 45RFE
DG6 = Transmission-4-Spd.
Automatic, 42RLE
DGQ = Transmission-5-Spd Automatic
5-45RFE
DBB = All Manual Transmissions
DG0 = All Automatic Transmissions

AR = use ase required - = Non illustrated part

**Wiring, Engine & Related Parts
Figure 8-1210**

ITEM	PART NUMBER	QTY	LINE	SERIES	BODY	ENGINE	TRANS	TRIM	DESCRIPTION
------	-------------	-----	------	--------	------	--------	-------	------	-------------

Notes:
 [ED0] = 2.4L 4 Cylinder Engine
 [EK0] = 3.7L V6 Cylinder Engine
 [EN0] = All 4/5 Cylinder Turbo Diesel Engines
 [DBB] = All Manual Transmissions
 [DG0] = All Automatic Transmissions
 [DG6] = 4 Speed Automatic Transmissions
 [DDD] = 5 Speed Heavy Duty Manual Transmission
 [DDK] = 5 Speed Heavy Duty Manual Transmission



1									WIRING, Engine
	56044190AB	1				ED0			
	56044216AE	1	T			EK0	DD0		Up to 01/13/04
	56044216AF	1	T			EK0	DD0		After 01/13/04
	56044302AE	1	J			EK0	DG0		Up to 01/13/04
	56044302AF	1	J			EK0	DG0		After 01/13/04
	56044303AE	1	U			EK0	DG0		Up to 01/13/04
	56044303AF	1	U			EK0	DG0		After 01/13/04
	56044505AE	1	T			EK0	DG0		Up to 01/13/04
	56044505AF	1	T			EK0	DG0		After 01/13/04
	56044506AE	1	J, T			ED0	DBB		
	56044507AE	1	U			ED0	DBB		
	56044508AC	1	J, T			EN0	DG0		
	56044509AC	1	J, T			EN0	DDD		
	56044510AB	1	U			EN0	DG0		
	56044511AB	1	U			EN0	DDD		
	56044614AE	1	J			EK0	DD0		Up to 01/13/04
	56044614AF	1	J			EK0	DD0		After 01/13/04
-2	56041379AA	2				EN0			CLIP, Housing
-3									BRACKET, Wiring
	56010275AB	1	U						Headlamp & Dash to Injector Inline
	56010291AB	1	J, T						Headlamp & Dash to Injector Inline
	56044125AC	1				EN0			Battery Harness

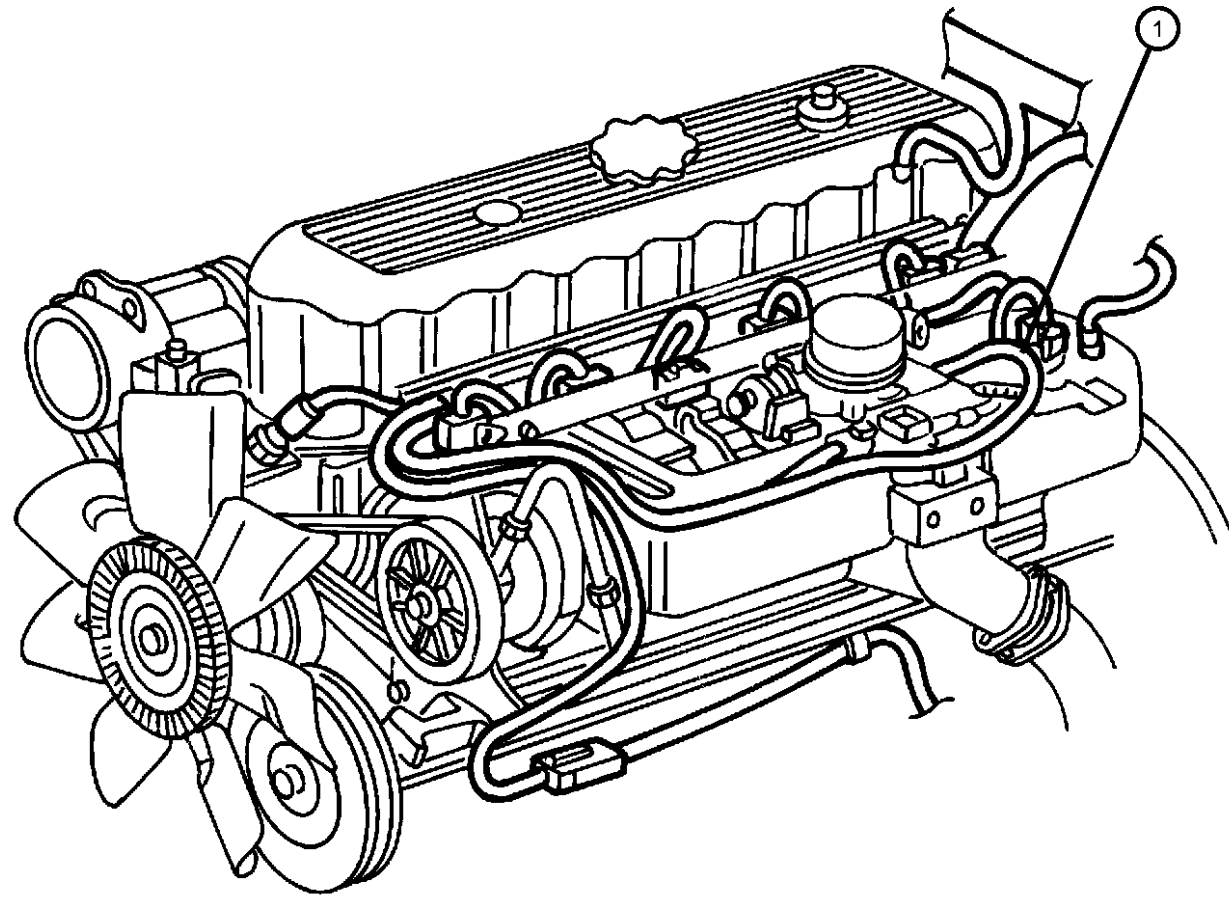
LIBERTY (KJ)

SERIES	LINE	BODY	ENGINE	TRANSMISSION
P = Limited	J = LHD (4WD)	74 = 4 Door (104.3 WB)	ED1 = Engine - 2.4L 4 Cyl DOHC 16v SMPI	DDD = Transmission - 5-Speed HD Manual
H = Sport	U = RHD (4WD)		EKG = Engine - 3.7L V6	DDK = Transmission - 5-Speed HD Manual
M = Renegade	T = LHD (2WD)		ENJ = Engine -2.5L 4 Cyl 16V Turbo Diesel	DG4 = Transmission-Multi-Speed Auto, 45RFE
			ENR = Engine - 2.8L 4 Cyl Turbo Diesel	DG6 = Transmission-4-Spd. Automatic, 42RLE
			EN0 = 4Cyl Turbo Diesel	DGQ = Transmission-5-Spd Automatic 5-45RFE
			EK0 = All 3.7L	DBB = All Manual Transmissions
			ED0 = All 2.4L	DG0 = All Automatic Transmissions

AR = use ase required - = Non illustrated part

2004 KJ

**Wiring, Engine & Related Parts
Figure 8-1210**



ITEM	PART NUMBER	QTY	LINE	SERIES	BODY	ENGINE	TRANS	TRIM	DESCRIPTION
	56044156AA	1				ED0			Battery Harness
-4	56041379AA	2				EN0			CLIP, Housing
-5									WIRING, Glow Plug
	05072674AA	1				EN0	DG0		
		1				EN0	DBB		
-6									WIRING, Alternator and Battery
	56010480AC	1		H, P		EK0			
	56010481AC	1				ED0			
	56050402AB	1				EN0			
-7	56050308AA	1				EK0			BRACKET, Wiring Harness
-8									STRAP, Ground
	56038529AB	1				ED0			Engine/Body/Hood
	56038554AB	1				EK0			Engine/Body/Hood
	56038750AA	1							Hood to Fender
-9									CORD, Engine Block Heater
	56041974AA	1				EK0			
	56044160AA	1				ED0			
-10									HEATER, Engine
	04557686AB	1				ED0			
	55037539AA	1				EN0	DG0		
		1				EN0	DBB		
-11	06503096	1				ED0			O RING, Engine Block Heater

LIBERTY (KJ)

SERIES

P = Limited
H = Sport
M = Renegade

LINE

J = LHD (4WD)
U = RHD (4WD)
T = LHD (2WD)

BODY

74 = 4 Door (104.3 WB)

ENGINE

ED1 = Engine - 2.4L 4 Cyl
DOHC 16v SMPI
EKG = Engine - 3.7L V6
ENJ = Engine -2.5L 4 Cyl 16V
Turbo Diesel
ENR = Engine - 2.8L 4 Cyl
Turbo Diesel
EN0 = 4Cyl Turbo Diesel
EK0 = All 3.7L
ED0 = All 2.4L

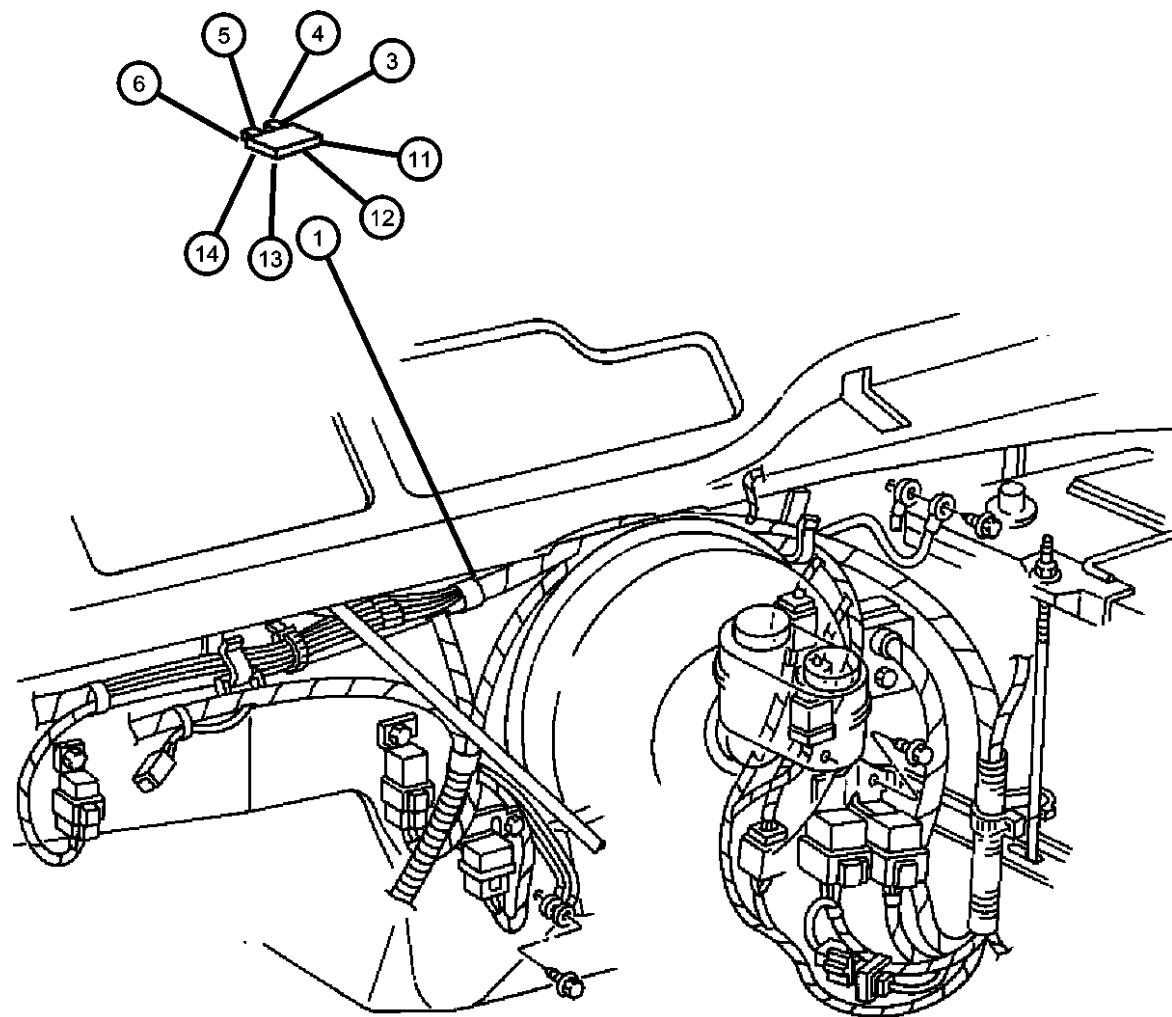
TRANSMISSION

DDD = Transmission - 5-Speed HD
Manual
DDK = Transmission - 5-Speed HD
Manual
DG4 = Transmission-Multi-Speed
Auto, 45RFE
DG6 = Transmission-4-Spd.
Automatic, 42RLE
DGQ = Transmission-5-Spd Automatic
5-45RFE
DBB = All Manual Transmissions
DG0 = All Automatic Transmissions

AR = use ase required - = Non illustrated part

2004 KJ

**Wiring, Headlamp / Dash
Figure 8-1310**



ITEM	PART NUMBER	QTY	LINE	SERIES	BODY	ENGINE	TRANS	TRIM	DESCRIPTION
------	-------------	-----	------	--------	------	--------	-------	------	-------------

Notes:

- [BRE] = 4 Wheel Disc
- [BRY] = Anti-Lock 4 Wheel Disc
- [ED0] = 2.4L 4 Cylinder Engine
- [EK0] = 3.7L V6 Cylinder Engine
- [EN0] = All 4/5 Cylinder Turbo Diesel Engine
- [DBB] = All Manual Transmissions
- [DG0] = All Automatic Transmissions
- Square Convuluted Tubing is Serviced with the Headlamp to Dash Harness Only

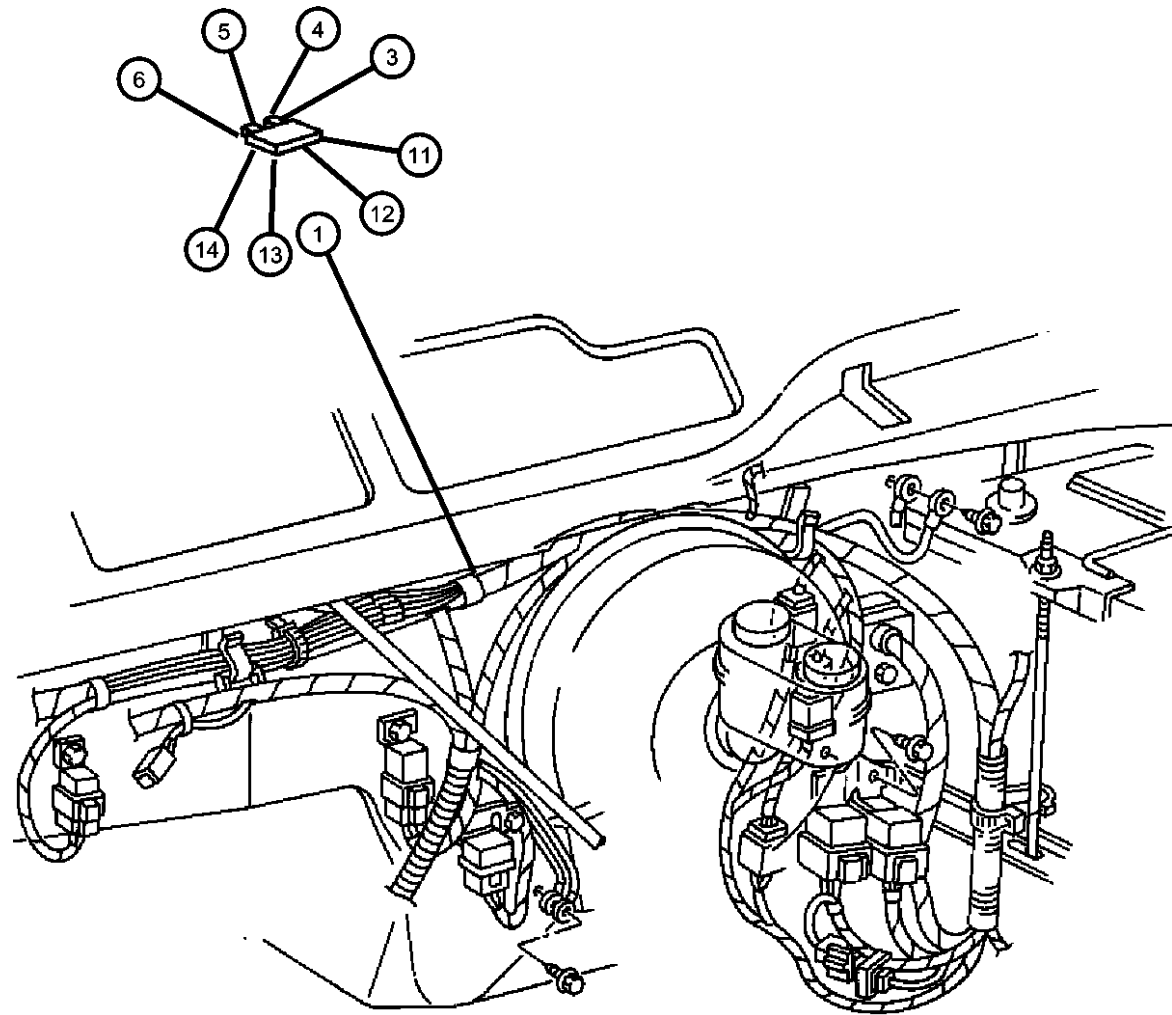
1									WIRING, Headlamp to Dash
	56010445AD	1	U			ED0, EK0	DBB		[BRY]
	56010446AD	1	U			ED0, EK0	DBB		[BRE]
	56010447AD	1	U			ED0, EK0	DG0		[BRY]
	56010448AD	1	U			ED0, EK0	DG0		[BRE]
	56010449AC	1	U			EN0	DBB		[BRE]
	56010450AC	1	U			EN0	DBB		[BRY]
	56010440AD	1	J, T			ED0, EK0	DG0		[BRY,LSB,LSC]
	56010441AD	1	J, T			ED0, EK0	DG0		[BRE,NHM]
	56010442AD	1	J			ED0, EK0	DG0		[BRE]
	56010443AD	1	J, T			ED0, EK0	DBB		[BRY]
	56010444AF	1	J, T			ED0, EK0	DBB		[BRE]
	56050483AB	1	J, T			ED0, EK0	DG0		[BRE]
	56010451AC	1	J, T			EN0	DBB		[BRY]
	56010452AC	1	J, T			EN0	DBB		[BRE]
	56010453AC	1	J, T			EN0	DG0		[BRY]
	56010454AC	1	J, T			EN0	DG0		[BRE]
	56010456AC	1	U			EN0	DG0		[BRY]
	56010458AC	1	U			EN0	DG0		[BRE]
	56050482AB	1	J, T			ED0, EK0	DG0		[BRY]
-2	68029179AA	1							TROUGH, Wiring, COVERS THE HEADLAMP AND DASH WIRING UNDER THE RADIATOR SUPPORT
-3	56021543	1							BREAKER, Circuit

LIBERTY (KJ)

SERIES	LINE	BODY	ENGINE	TRANSMISSION
P = Limited	J = LHD (4WD)	74 = 4 Door (104.3 WB)	ED1 = Engine - 2.4L 4 Cyl DOHC 16v SMPI	DDD = Transmission - 5-Speed HD Manual
H = Sport	U = RHD (4WD)		EKG = Engine - 3.7L V6	DDK = Transmission - 5-Speed HD Manual
M = Renegade	T = LHD (2WD)		ENJ = Engine -2.5L 4 Cyl 16V Turbo Diesel	DG4 = Transmission-Multi-Speed Auto, 45RFE
			ENR = Engine - 2.8L 4 Cyl Turbo Diesel	DG6 = Transmission-4-Spd. Automatic, 42RLE
			EN0 = 4Cyl Turbo Diesel	DGQ = Transmission-5-Spd Automatic 5-45RFE
			EK0 = All 3.7L	DBB = All Manual Transmissions
			ED0 = All 2.4L	DG0 = All Automatic Transmissions

AR = use ase required - = Non illustrated part

Wiring, Headlamp / Dash
Figure 8-1310



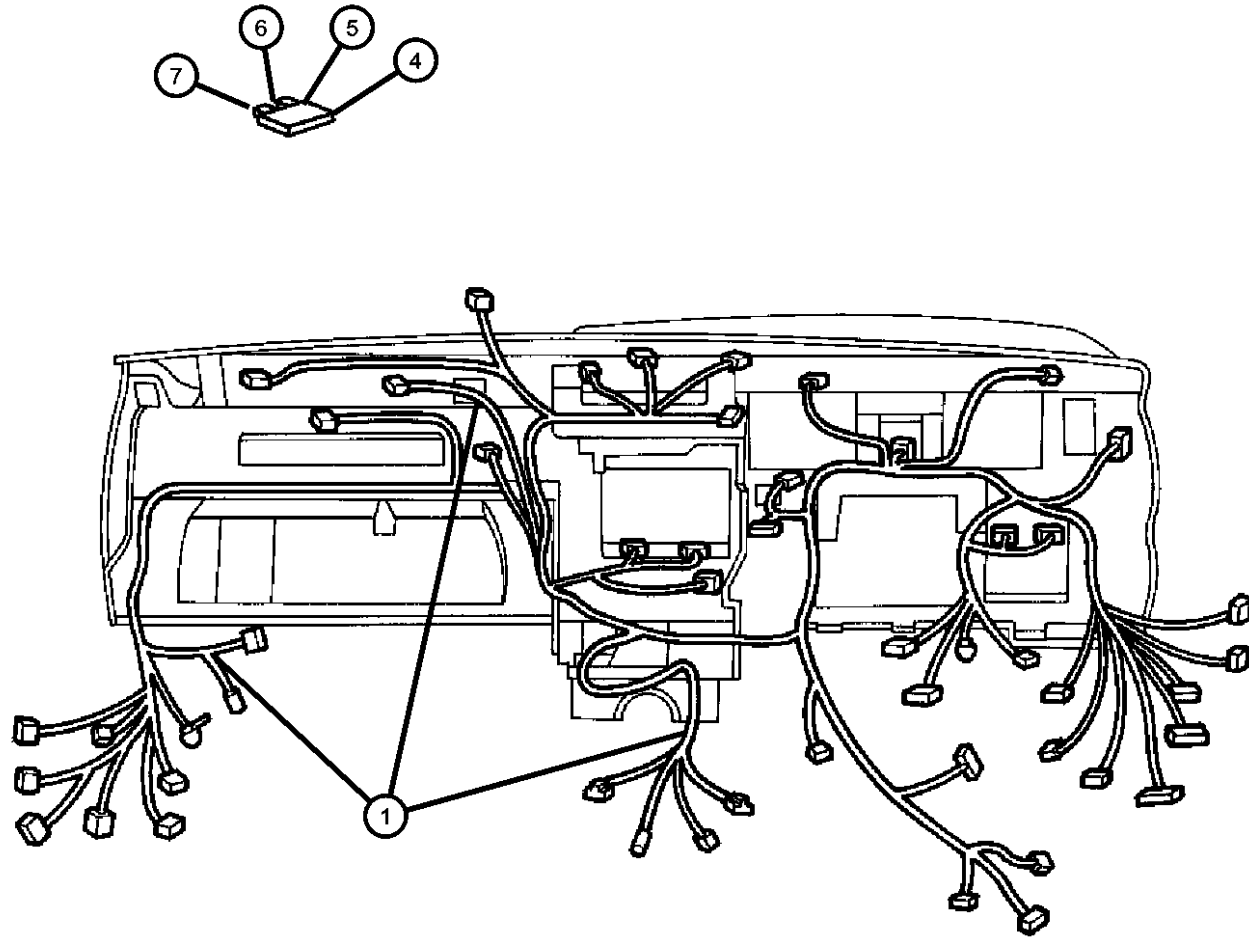
ITEM	PART NUMBER	QTY	LINE	SERIES	BODY	ENGINE	TRANS	TRIM	DESCRIPTION
4	000ATM10	1	J, T						FUSE, Mini, 10 AMP, Red
5	000ATM15	1	J, T						FUSE, Mini, 15 AMP, Light Blue
6	000ATM20	1	J, T						FUSE, Mini, 20 AMP, Yellow
7	000ATM30	AR							FUSE, Mini, 30 AMP, Green
-8									PULLER, Fuse
	05072937AA	1	U						
		1	J, T						
-9									BRACKET, Wiring
	56010275AB	1	U						Headlamp & Dash to Injector Inlines
	56010291AB	1	J, T						Headlamp & Dash to Injector Inlines
	56044125AC	1				EN0			Battery Harness
	56044156AA	1				ED0			Battery Harness
-10	56009948AA	1							COLLAR, Insulator, Headlamp & Dash to I/Panel
-11									COVER, Power Distribution Center
	05114515AA	1	J, T			EN0	DBB		
		1	J, T			EN0	DG0		
		1	U			EN0	DG0		
		1	U			EN0	DBB		
	05114516AA	1	J, T			ED0, EK0	DG0		
		1	J, T			ED0, EK0	DBB		
		1	U			ED0, EK0	DBB		
12	06102078AA	AR							FUSE CARTRIDGE, 50 Amp
13	06102075AA	AR							FUSE CARTRIDGE, 20 Amp
14	06102076AA	AR							FUSE CARTRIDGE, 30 Amp
15	06102077AA	AR							FUSE CARTRIDGE, 40 Amp
-16	06101757	1							FUSIBLE LINK

LIBERTY (KJ)

SERIES	LINE	BODY	ENGINE	TRANSMISSION
P = Limited	J = LHD (4WD)	74 = 4 Door (104.3 WB)	ED1 = Engine - 2.4L 4 Cyl DOHC 16v SMPI	DDD = Transmission - 5-Speed HD Manual
H = Sport	U = RHD (4WD)		EKG = Engine - 3.7L V6	DDK = Transmission - 5-Speed HD Manual
M = Renegade	T = LHD (2WD)		ENJ = Engine -2.5L 4 Cyl 16v Turbo Diesel	DG4 = Transmission-Multi-Speed Auto, 45RFE
			ENR = Engine - 2.8L 4 Cyl Turbo Diesel	DG6 = Transmission-4-Spd. Automatic, 42RLE
			EN0 = 4Cyl Turbo Diesel	DGQ = Transmission-5-Spd Automatic 5-45RFE
			EK0 = All 3.7L	DBB = All Manual Transmissions
			ED0 = All 2.4L	DG0 = All Automatic Transmissions

AR = use ase required - = Non illustrated part

**Wiring Instrument Panel
Figure 8-1410**



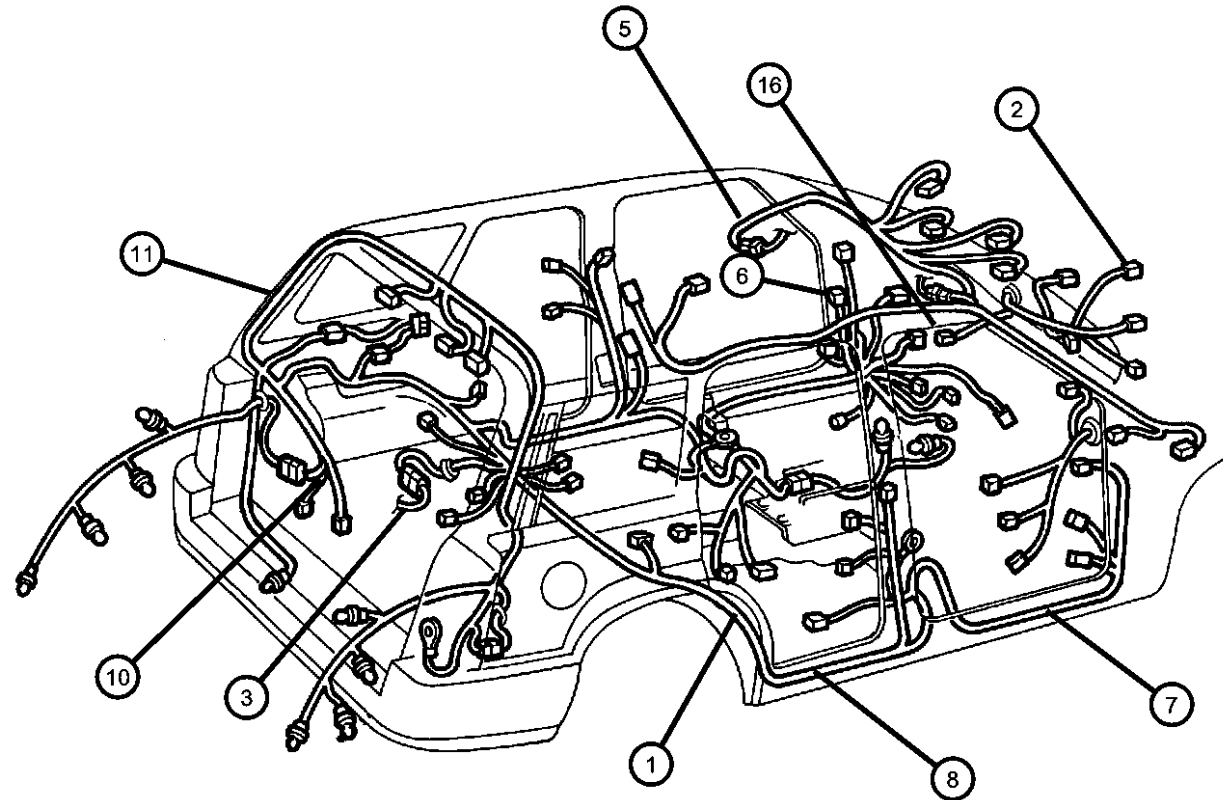
ITEM	PART NUMBER	QTY	LINE	SERIES	BODY	ENGINE	TRANS	TRIM	DESCRIPTION
1									WIRING, Instrument Panel
	56010620AD	1	U						Export
	56010622AD	1	J, T						[AJP]
	56010623AD	1	J						Export
	56010624AD	1	J, T						
	56010625AD	1							[LNS]
-2									JUNCTION BLOCK, Relay
	56010435AC	1	J, T						
	56010436AC	1	J, T						[GWA,GXM,LNJ,RSP]
		1	J, U						Export
-3									BRACKET, Junction Block
	56009986AB	1							Lower Mounting
	56010333AD	1	J, T						Upper Mounting
	56010334AD	1	U						Upper Mounting
4	000ATM10	1	J, T						FUSE, Mini, 10 AMP, Red
5	000ATM15	1	J, T						FUSE, Mini, 15 AMP, Light Blue
6	000ATM20	1	J, T						FUSE, Mini, 20 AMP, Yellow
7	000ATM30	AR							FUSE, Mini, 30 AMP, Green
-8	06102078AA	AR							FUSE CARTRIDGE, 50 Amp
-9									PULLER, Fuse
	05072937AA	1	U						
		1	J, T						
-10									BREAKER, Circuit
	56007290	1							18 amp
	56021543	1							25 amp
-11	56042070	1							COVER, Wiring ProtectorExport

LIBERTY (KJ)

SERIES	LINE	BODY	ENGINE	TRANSMISSION
P = Limited	J = LHD (4WD)	74 = 4 Door (104.3 WB)	ED1 = Engine - 2.4L 4 Cyl DOHC 16v SMPI	DDD = Transmission - 5-Speed HD Manual
H = Sport	U = RHD (4WD)		EKG = Engine - 3.7L V6	DDK = Transmission - 5-Speed HD Manual
M = Renegade	T = LHD (2WD)		ENJ = Engine -2.5L 4 Cyl 16V Turbo Diesel	DG4 = Transmission-Multi-Speed Auto, 45RFE
			ENR = Engine - 2.8L 4 Cyl Turbo Diesel	DG6 = Transmission-4-Spd. Automatic, 42RLE
			ENO = 4Cyl Turbo Diesel	DGQ = Transmission-5-Spd Automatic 5-45RFE
			EK0 = All 3.7L	DBB = All Manual Transmissions
			ED0 = All 2.4L	DG0 = All Automatic Transmissions

AR = use ase required - = Non illustrated part

Wiring, Body & Accessories
Figure 8-1510



ITEM	PART NUMBER	QTY	LINE	SERIES	BODY	ENGINE	TRANS	TRIM	DESCRIPTION
Notes: [ED0] = 2.4L 4 Cylinder Engine [EK0] = 3.7L V6 Cylinder Engine [EN0] = 2.5L Diesel									
1									WIRING, Body
	56010590AE	1	J, T						[JPH]
	56010591AE	1	J, T						[JPY]
	56010592AE	1	J, T						[CGS,JPT,JPM]
		1	J, T						[CGS,JPM], Export
	56010593AE	1	J, T						[CGS]
	56010594AE	1	U						[CGS,JPM]
	56010595AE	1	J, T						[CGS,JPY,AHT]
	56010597AE	1	J, T						[JPT,JPM]
		1	J, T						[JPM], Export
	56010618AE	1	U						[JPM]
	56050621AA	1	J, T						[CGS,JPT]
		1	J, T						[CGS], Export
	56050622AA	1	J, T						[JPT]
		1	J, T						Base, Export
	56050623AA	1	U						Base
	56050624AA	1	U						[CGS]
2									WIRING, Front End Lighting
	55155949AA	1							Without Foglamps
	55155950AC	1							With Foglamps
	55155951AB	1							Without Foglamps & without Export Equipment Package
	55155952AC	1							With Foglamps & with Export Equipment Package
3									WIRING, Rear Body
	56010467AC	1	U						Base
	56010468AC	1	J, T						[GWA,ABE,CUD]
	56010469AC	1	J, T						Base

LIBERTY (KJ)

SERIES	LINE
P = Limited	J = LHD (4WD)
H = Sport	U = RHD (4WD)
M = Renegade	T = LHD (2WD)

BODY
74 = 4 Door (104.3 WB)

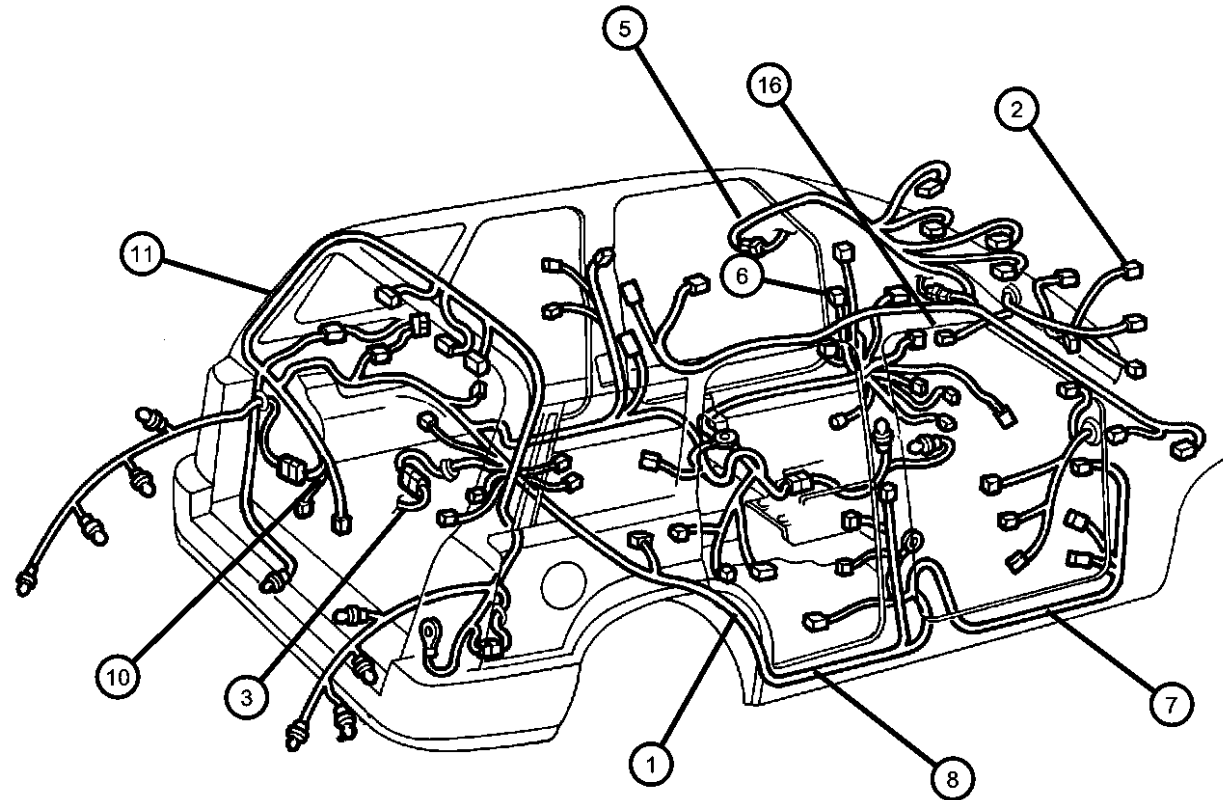
ENGINE
ED1 = Engine - 2.4L 4 Cyl DOHC 16v SMPI
EK0 = Engine - 3.7L V6
ENJ = Engine -2.5L 4 Cyl 16v Turbo Diesel
ENR = Engine - 2.8L 4 Cyl Turbo Diesel
EN0 = 4Cyl Turbo Diesel
EK0 = All 3.7L
ED0 = All 2.4L

TRANSMISSION
DDD = Transmission - 5-Speed HD Manual
DDK = Transmission - 5-Speed HD Manual
DG4 = Transmission-Multi-Speed Auto, 45RFE
DG6 = Transmission-4-Spd. Automatic, 42RLE
DGQ = Transmission-5-Spd Automatic 5-45RFE
DBB = All Manual Transmissions
DG0 = All Automatic Transmissions

AR = use ase required - = Non illustrated part

2004 KJ

Wiring, Body & Accessories
Figure 8-1510



ITEM	PART NUMBER	QTY	LINE	SERIES	BODY	ENGINE	TRANS	TRIM	DESCRIPTION
-4	56010470AC	1	J, T						[AHT] COVER, Body Wiring
	56010044AC	2	J, T						
		1	U						
5	05101961AA	1							WIRING, Sunroof
6									WIRING, Steering Wheel
	56010170AC	1		H, M					With Luxury Steering Wheel, Speed Control & without Audio Control
		1		P					With Luxury Steering Wheel, Speed Control & without Audio Control
	56010171AC	1		H, M					With Luxury Steering Wheel, Speed Control & with Audio Control
		1		P					With Luxury Steering Wheel, Speed Control & with Audio Control
	56010185AB	1							With Luxury Steering Wheel
7									WIRING, Front Door
	56010555AE	1	J, T						Security Alarm, Power Locks, with or without Speed Sensitive Power Locks, Power Mirrors, without Infinity 6 Speaker System & With or without Power Driver & Front Passenger Window, Drivers Side
	56010556AD	1	J, T						With Infinity 6 Speaker System, Passenger Side
	56010557AE	1	J, T						With Security Alarm, Power Driver & Front Passenger Windows & Without Infinity 6 Speaker System, Drivers Side
	56010558AE	1	J, T						With Power Driver & Front Passenger Windows & Without Infinity 6 Speaker System, Passenger Side

LIBERTY (KJ)

SERIES

P = Limited
H = Sport
M = Renegade

LINE

J = LHD (4WD)
U = RHD (4WD)
T = LHD (2WD)

BODY

74 = 4 Door (104.3 WB)

ENGINE

ED1 = Engine - 2.4L 4 Cyl
DOHC 16v SMPI
EKG = Engine - 3.7L V6
ENJ = Engine -2.5L 4 Cyl 16v
Turbo Diesel
ENR = Engine - 2.8L 4 Cyl
Turbo Diesel
ENO = 4Cyl Turbo Diesel
EKO = All 3.7L
EDO = All 2.4L

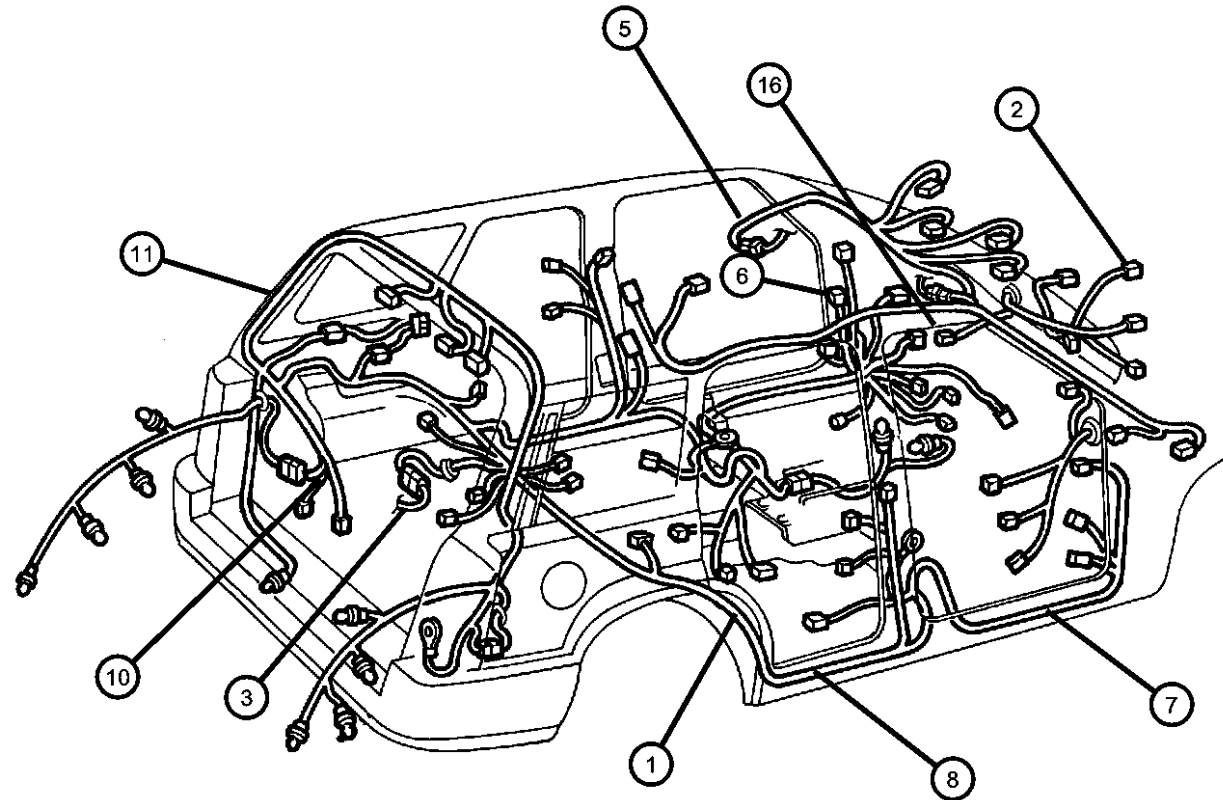
TRANSMISSION

DDD = Transmission - 5-Speed HD
Manual
DDK = Transmission - 5-Speed HD
Manual
DG4 = Transmission-Multi-Speed
Auto, 45RFE
DG6 = Transmission-4-Spd.
Automatic, 42RLE
DGQ = Transmission-5-Spd Automatic
5-45RFE
DBB = All Manual Transmissions
DG0 = All Automatic Transmissions

AR = use ase required - = Non illustrated part

2004 KJ

Wiring, Body & Accessories
Figure 8-1510



ITEM	PART NUMBER	QTY	LINE	SERIES	BODY	ENGINE	TRANS	TRIM	DESCRIPTION
	56010561AE	1	J, T						Without Power Driver & Front Passenger Windows, Power Mirrors, Speed Sensitive Power Locks, & without Infinity 6 Speaker System, Drivers Side
		1	U						Without Power Driver & Front Passenger Windows, Power Mirrors, Speed Sensitive Power Locks, & without Infinity 6 Speaker System, Drivers Side
	56010571AD	1	J, T						With Infinity 6 Speaker System, Drivers Side
	56050701AB	1	J, T						With Power Locks, with or without Speed Sensitive Power Locks, Power Mirrors, without Infinity 6 Speaker System & With or without, Security Alarm, Power Driver & Front Passenger Windows, Drivers Side
	56050703AB	1	J, T						With Power Driver & Front Passenger Windows & Without Infinity 6 Speaker System & without Security Alarm, Drivers Side
	56050705AB	1	J, T						With Infinity 6 Speaker System & without Security Alarm, Drivers Side
8									WIRING, Rear Door
	56010614AD	2							[JPY]
	56010615AE	2							[JPB,JPH]
	56010616AD	2							GROMMET, Door Wiring
-9									Front door
	56010326AC	2							Rear door
	56010327AB	2							Swing gate
	56010328AA	1							WIRING, Tailgate
10									
	56050309AC	1							[GXM]
	56050310AC	1							

LIBERTY (KJ)

SERIES

P = Limited
H = Sport
M = Renegade

LINE

J = LHD (4WD)
U = RHD (4WD)
T = LHD (2WD)

BODY

74 = 4 Door (104.3 WB)

ENGINE

ED1 = Engine - 2.4L 4 Cyl DOHC 16v SMPI
EKG = Engine - 3.7L V6
ENJ = Engine -2.5L 4 Cyl 16v Turbo Diesel
ENR = Engine - 2.8L 4 Cyl Turbo Diesel
ENO = 4Cyl Turbo Diesel
EKO = All 3.7L
EDO = All 2.4L

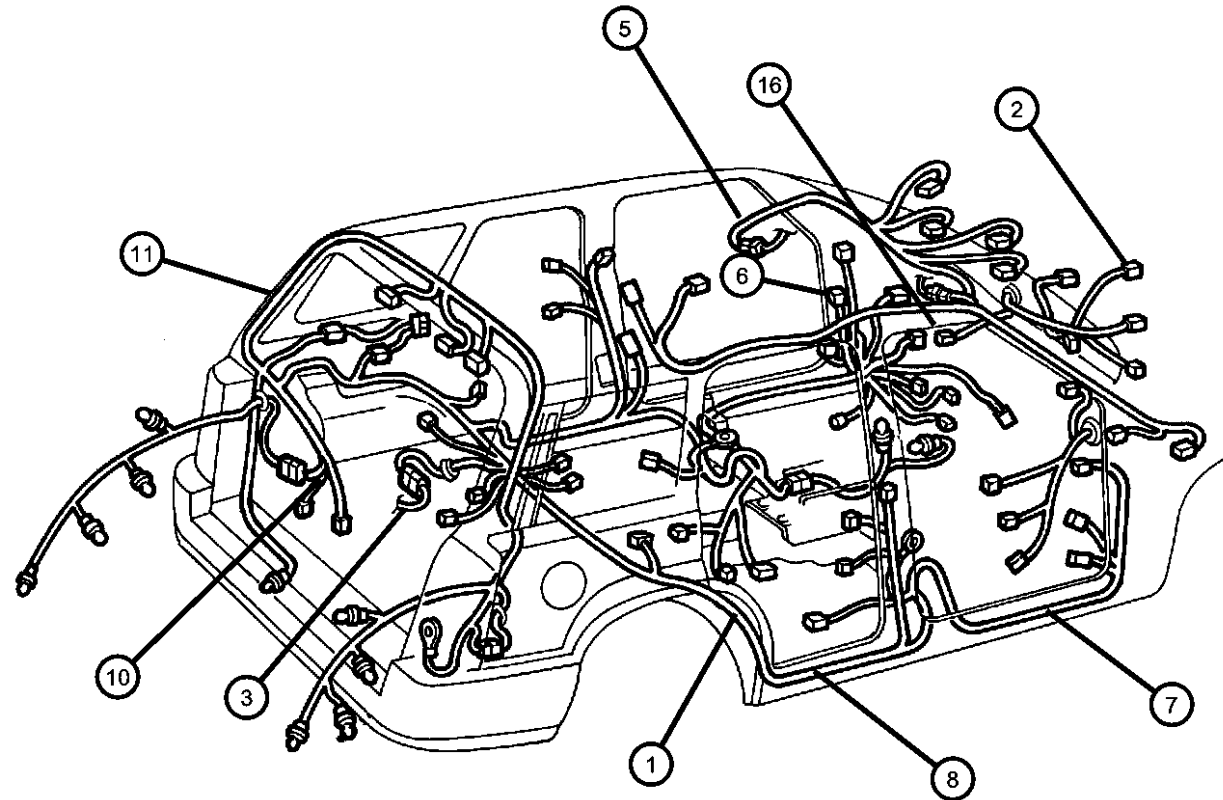
TRANSMISSION

DDD = Transmission - 5-Speed HD Manual
DDK = Transmission - 5-Speed HD Manual
DG4 = Transmission-Multi-Speed Auto, 45RFE
DG6 = Transmission-4-Spd. Automatic, 42RLE
DGQ = Transmission-5-Spd Automatic 5-45RFE
DBB = All Manual Transmissions
DG0 = All Automatic Transmissions

AR = use ase required - = Non illustrated part

2004 KJ

Wiring, Body & Accessories
Figure 8-1510



ITEM	PART NUMBER	QTY	LINE	SERIES	BODY	ENGINE	TRANS	TRIM	DESCRIPTION
	56050311AC	1							Export
11									WIRING, Rear Lamp
	56010085AI	1	J, U						
	56010086AH	1	J, T						
-12	56038366AB	1							CONNECTOR, 7 Way, Trailer tow
-13	05102404AA	1							WIRING KIT, 7 Way, Female
-14	05102405AA	4							WIRING KIT, 10 Way, Female, Trans soleniod
-15	56019823	1							ADAPTER, Trailer Tow
16									WIRING, Overhead Console
	04760644	1	J, T						
		1	J, U						
-17									COVER, Wiring Protector
	56010046AC	1							Right
	56010047AC	1							Left
	56042070	1							[ABE]
-18	56010354AA	4							CLIP, Floor Pan Cover Button
-19	56010419AB	1		M					WIRING, Roof Lamps
-20									WIRING, Off Road Light
	52112062AA	1							[ABE]
	52112092AA	1							[ABE]
-21	56010329AD	1							WIRING, License Lamp
-22									WIRING, Fuel Module
	56010598AA	1				ED0, EK0			
	56010599AA	1				EN0			
-23									WIRING, Seat
	05127457AA	1							[CF5]
	05127458AA	1							[CF5,JPS]
	05127460AA	1							[CF5,JPS] Mexico

LIBERTY (KJ)

SERIES LINE
P = Limited J = LHD (4WD)
H = Sport U = RHD (4WD)
M = Renegade T = LHD (2WD)

BODY
74 = 4 Door (104.3 WB)

ENGINE
ED1 = Engine - 2.4L 4 Cyl
DOHC 16v SMPI
EKG = Engine - 3.7L V6
ENJ = Engine -2.5L 4 Cyl 16V
Turbo Diesel
ENR = Engine - 2.8L 4 Cyl
Turbo Diesel
EN0 = 4Cyl Turbo Diesel
EK0 = All 3.7L
ED0 = All 2.4L

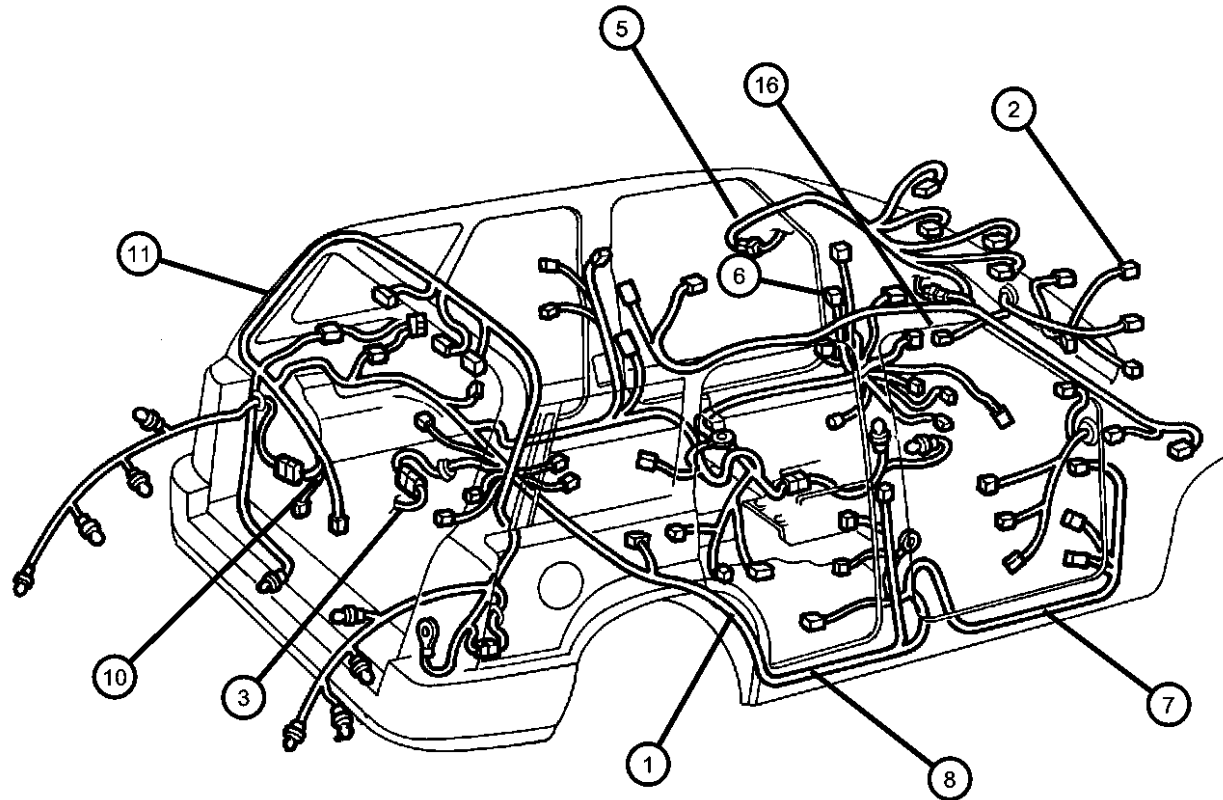
TRANSMISSION
DDD = Transmission - 5-Speed HD
Manual
DDK = Transmission - 5-Speed HD
Manual
DG4 = Transmission-Multi-Speed
Auto, 45RFE
DG6 = Transmission-4-Spd.
Automatic, 42RLE
DGQ = Transmission-5-Spd Automatic
5-45RFE
DBB = All Manual Transmissions
DG0 = All Automatic Transmissions

AR = use ase required - = Non illustrated part

2004 KJ

Wiring, Body & Accessories
Figure 8-1510

ITEM	PART NUMBER	QTY	LINE	SERIES	BODY	ENGINE	TRANS	TRIM	DESCRIPTION
		1							[CF5,JPS], Export
-24	05143017AA	1							WIRING, Power Door Lock, Swing gate handle



LIBERTY (KJ)

SERIES	LINE
P = Limited	J = LHD (4WD)
H = Sport	U = RHD (4WD)
M = Renegade	T = LHD (2WD)

BODY
74 = 4 Door (104.3 WB)

ENGINE
ED1 = Engine - 2.4L 4 Cyl DOHC 16v SMPI
EKG = Engine - 3.7L V6
ENJ = Engine -2.5L 4 Cyl 16V Turbo Diesel
ENR = Engine - 2.8L 4 Cyl Turbo Diesel
ENO = 4Cyl Turbo Diesel
EKO = All 3.7L
EDO = All 2.4L

TRANSMISSION
DDD = Transmission - 5-Speed HD Manual
DDK = Transmission - 5-Speed HD Manual
DG4 = Transmission-Multi-Speed Auto, 45RFE
DG6 = Transmission-4-Spd. Automatic, 42RLE
DGQ = Transmission-5-Spd Automatic 5-45RFE
DBB = All Manual Transmissions
DG0 = All Automatic Transmissions

AR = use ase required - = Non illustrated part

**Wiring, Repair Package
Figure 8-1610**

ITEM	PART NUMBER	QTY	LINE	SERIES	BODY	ENGINE	TRANS	TRIM	DESCRIPTION
Notes: [DG4] = All Multi Speed Automatic Transmissions									
-1	05013930AD	1							WIRING PACKAGE, Underhood Connector Repair, For Electrical Connector Repair Information visit the World Wide Web at http://dto.vftis.com/mopar/disclaimer.asp , Underhood Wiring
-2	05013930AD	1							WIRING PACKAGE, Underhood Connector Repair
-3	05019912AA	1							TOOL, Crimping
-4	05014757AD	1							MANUAL, Connector Repair
-5	05073029AA	1							WIRING KIT, Electric Repair, With Tool
-6	56021384	2							CLIP, Wiring
-7	53008550	1	T				DG4		CLIP
-8	05083221AA	1							WIRING KIT, 22 Way, Female
-9	05018620AA	1							WIRING PACKAGE, Terminal Repair
-10	06016155	3							STRAP, Tie

For Electrical Connector Repair Information visit the World Wide Web at

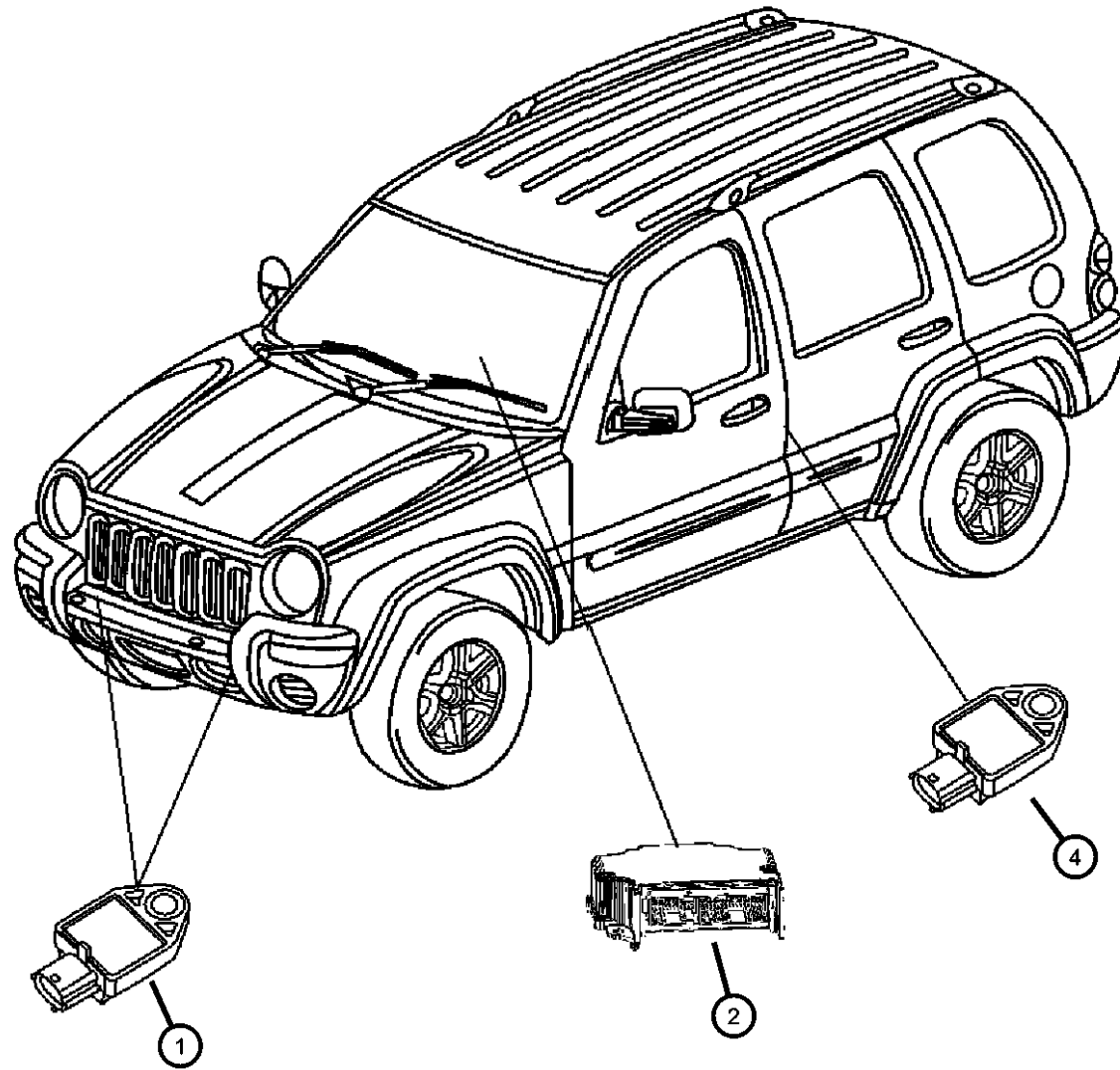
<http://dto.vftis.com/mopar/disclaimer.asp>

LIBERTY (KJ)

SERIES	LINE	BODY	ENGINE	TRANSMISSION
P = Limited	J = LHD (4WD)	74 = 4 Door (104.3 WB)	ED1 = Engine - 2.4L 4 Cyl DOHC 16v SMPI	DDD = Transmission - 5-Speed HD Manual
H = Sport	U = RHD (4WD)		EKG = Engine - 3.7L V6	DDK = Transmission - 5-Speed HD Manual
M = Renegade	T = LHD (2WD)		ENJ = Engine -2.5L 4 Cyl 16V Turbo Diesel	DG4 = Transmission-Multi-Speed Auto, 45RFE
			ENR = Engine - 2.8L 4 Cyl Turbo Diesel	DG6 = Transmission-4-Spd. Automatic, 42RLE
			ENO = 4Cyl Turbo Diesel	DGQ = Transmission-5-Spd Automatic 5-45RFE
			EK0 = All 3.7L	DBB = All Manual Transmissions
			ED0 = All 2.4L	DG0 = All Automatic Transmissions

**Air Bag Module and Sensors
Figure 8-1705**

ITEM	PART NUMBER	QTY	LINE	SERIES	BODY	ENGINE	TRANS	TRIM	DESCRIPTION
1	05084000AA	2							SENSOR, Air Bag
2									MODULE, Occupant Restraint
	56038862AE	1							Export
	56038864AD	1							[CGS], Export
	56038865AC	1							[CGS]
	56038961AE	1							[CGS]
-3	56038787AB	1							COVER, Module, Occupant restraint module
4	05084000AA	2							SENSOR, Air Bag
-5	55352877AF	1							MODULE, Occupant Classification



LIBERTY (KJ)

SERIES LINE
P = Limited J = LHD (4WD)
H = Sport U = RHD (4WD)
M = Renegade T = LHD (2WD)

BODY
74 = 4 Door (104.3 WB)

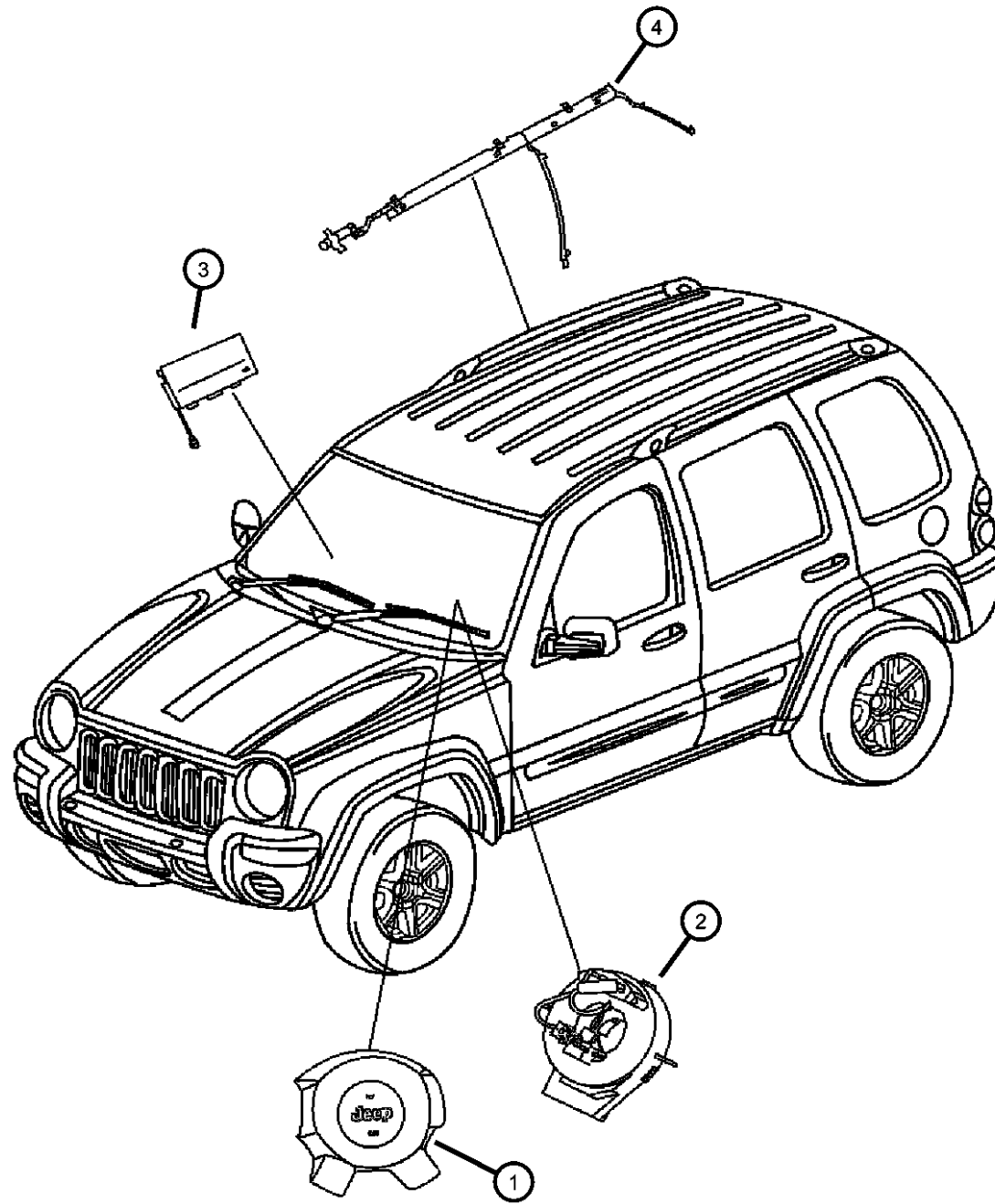
ENGINE
ED1 = Engine - 2.4L 4 Cyl DOHC 16v SMPI
EKG = Engine - 3.7L V6
ENJ = Engine -2.5L 4 Cyl 16V Turbo Diesel
ENR = Engine - 2.8L 4 Cyl Turbo Diesel
ENO = 4Cyl Turbo Diesel
EKO = All 3.7L
EDO = All 2.4L

TRANSMISSION
DDD = Transmission - 5-Speed HD Manual
DDK = Transmission - 5-Speed HD Manual
DG4 = Transmission-Multi-Speed Auto, 45RFE
DG6 = Transmission-4-Spd. Automatic, 42RLE
DGQ = Transmission-5-Spd Automatic 5-45RFE
DBB = All Manual Transmissions
DG0 = All Automatic Transmissions

AR = use ase required - = Non illustrated part

2004 KJ

**Air Bags and Clock Spring
Figure 8-1710**



ITEM	PART NUMBER	QTY	LINE	SERIES	BODY	ENGINE	TRANS	TRIM	DESCRIPTION
1	5JS05DX9AA	1		H, M					AIR BAG, Driver
	5JS061X9AA	1		M, P					[JA2]
	5JS061X9AB	1		H, M, P					[JA2]
2	56010146AF	1							CLOCKSPRING
	56010187AG	1							[RDZ]
3	55315103AA	1							AIR BAG, Passenger
4	55315018AH	1							AIR BAG, Side Curtain
	55315019AH	1							Up to 07/21/03, Right
	55315098AA	1							Up to 07/21/03, Left
	55315099AA	1							After 07/21/03, Right
									After 07/21/03, Left

LIBERTY (KJ)

SERIES

P = Limited
H = Sport
M = Renegade

LINE

J = LHD (4WD)
U = RHD (4WD)
T = LHD (2WD)

BODY

74 = 4 Door (104.3 WB)

ENGINE

ED1 = Engine - 2.4L 4 Cyl
DOHC 16v SMPI
EKG = Engine - 3.7L V6
ENJ = Engine -2.5L 4 Cyl 16V
Turbo Diesel
ENR = Engine - 2.8L 4 Cyl
Turbo Diesel
ENO = 4Cyl Turbo Diesel
EKO = All 3.7L
EDO = All 2.4L

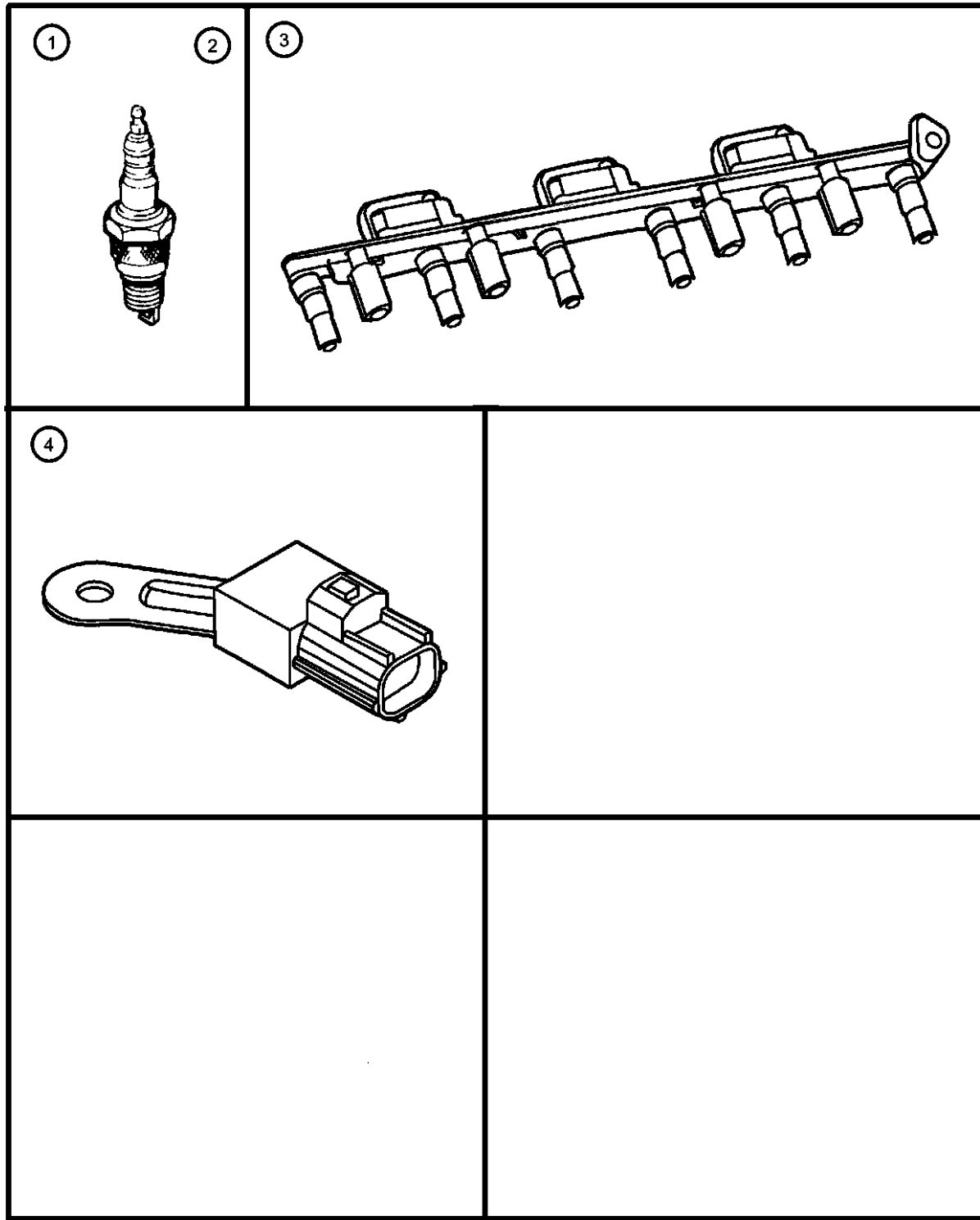
TRANSMISSION

DDD = Transmission - 5-Speed HD
Manual
DDK = Transmission - 5-Speed HD
Manual
DG4 = Transmission-Multi-Speed
Auto, 45RFE
DG6 = Transmission-4-Spd.
Automatic, 42RLE
DGQ = Transmission-5-Spd Automatic
5-45RFE
DBB = All Manual Transmissions
DG0 = All Automatic Transmissions

AR = use ase required - = Non illustrated part

2004 KJ

Spark Plug - Coil
Figure 8-1910



ITEM	PART NUMBER	QTY	LINE	SERIES	BODY	ENGINE	TRANS	TRIM	DESCRIPTION
------	-------------	-----	------	--------	------	--------	-------	------	-------------

Notes:
[ED0]=2.4L 4 Cylinder Engine
[EK0]=3.7L V6 Cylinder Engine

1									SPARK PLUG Up to 11/27/03
	SPRE14MCC5	4				ED0			
	SPZFR6F11G	6				EK0			
2	05149002AA	4				ED0			SPARK PLUG, RE16MC, After 11/27/03
3									COIL, Ignition
	04609103AB	1				ED0			
	56028138AE	6				EK0			
4	56041915AC	1				ED0, EK0			CAPACITOR, Ignition
-5									CABLE, Ignition
	56041818AC	2				ED0			[#2,3]
	56044075AC	2				ED0			[#1,4]
-6	06502921	4				ED0			SCREW, Ignition Coil Mounting
-7	06101802	6				EK0			NUT, Ignition Coil Mounting
-8	04693243AA	4				ED0			ISOLATOR
-9	05102091AA	1				ED0			CABLE PACKAGE, Ignition
-10	05072382AA	6				EK0			O RING, Coil
-11	05149003AA	4				ED0			SPARK PLUG, LZTR4A-11

LIBERTY (KJ)

SERIES LINE
P = Limited J = LHD (4WD)
H = Sport U = RHD (4WD)
M = Renegade T = LHD (2WD)

BODY
74 = 4 Door (104.3 WB)

ENGINE
ED1 = Engine - 2.4L 4 Cyl
DOHC 16v SMPI
EK0 = Engine - 3.7L V6
ENJ = Engine -2.5L 4 Cyl 16V
Turbo Diesel
ENR = Engine - 2.8L 4 Cyl
Turbo Diesel
ENO = 4Cyl Turbo Diesel
EK0 = All 3.7L
ED0 = All 2.4L

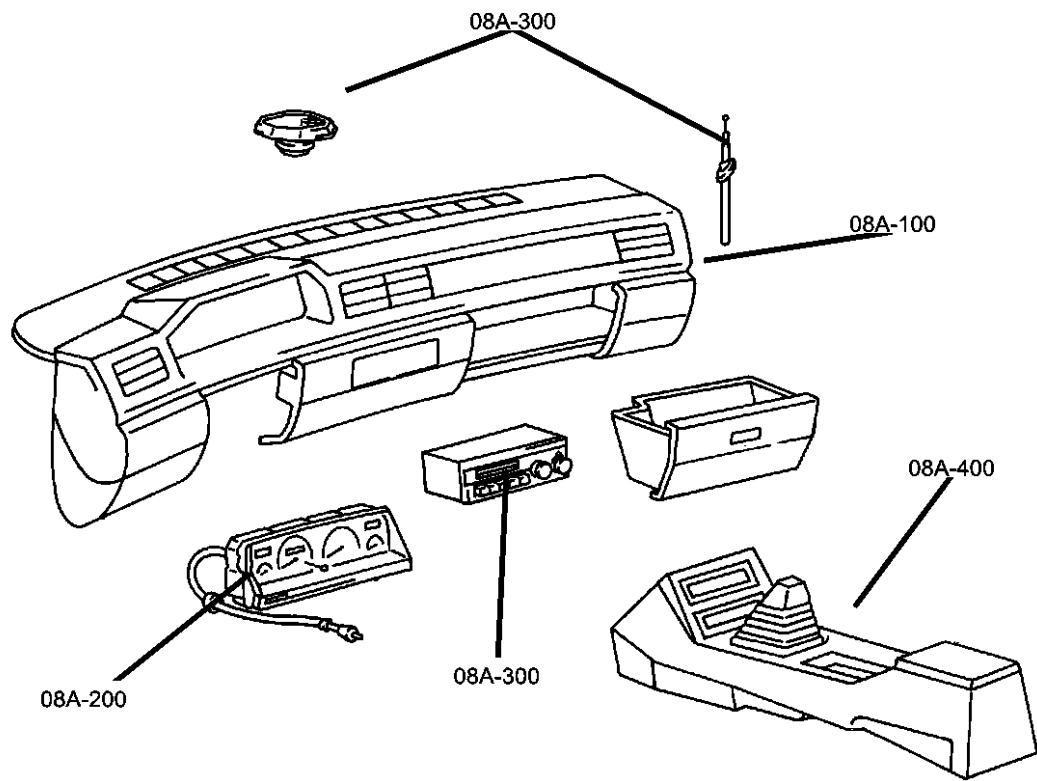
TRANSMISSION
DDD = Transmission - 5-Speed HD
Manual
DDK = Transmission - 5-Speed HD
Manual
DG4 = Transmission-Multi-Speed
Auto, 45RFE
DG6 = Transmission-4-Spd.
Automatic, 42RLE
DGQ = Transmission-5-Spd Automatic
5-45RFE
DBB = All Manual Transmissions
DG0 = All Automatic Transmissions

AR = use ase required - = Non illustrated part

2004 KJ

Group - 08A

Instrument Panel and Radios and Consoles



Group - 08A Instrument Panel and Radios and Consoles

Illustration Title

Group-Fig. No.

Instrument Panel

Instrument Panel Fig. 08A - 110

Instrument Panel Cluster

Instrument Panel Cluster Fig. 08A - 210

Radio, Antenna, and Speakers

Radios..... Fig. 08A - 310

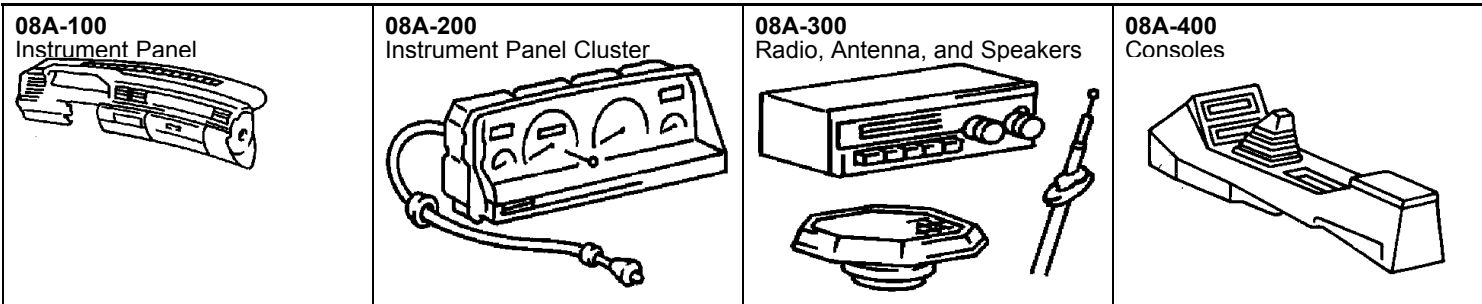
Speakers..... Fig. 08A - 320

Antenna..... Fig. 08A - 330

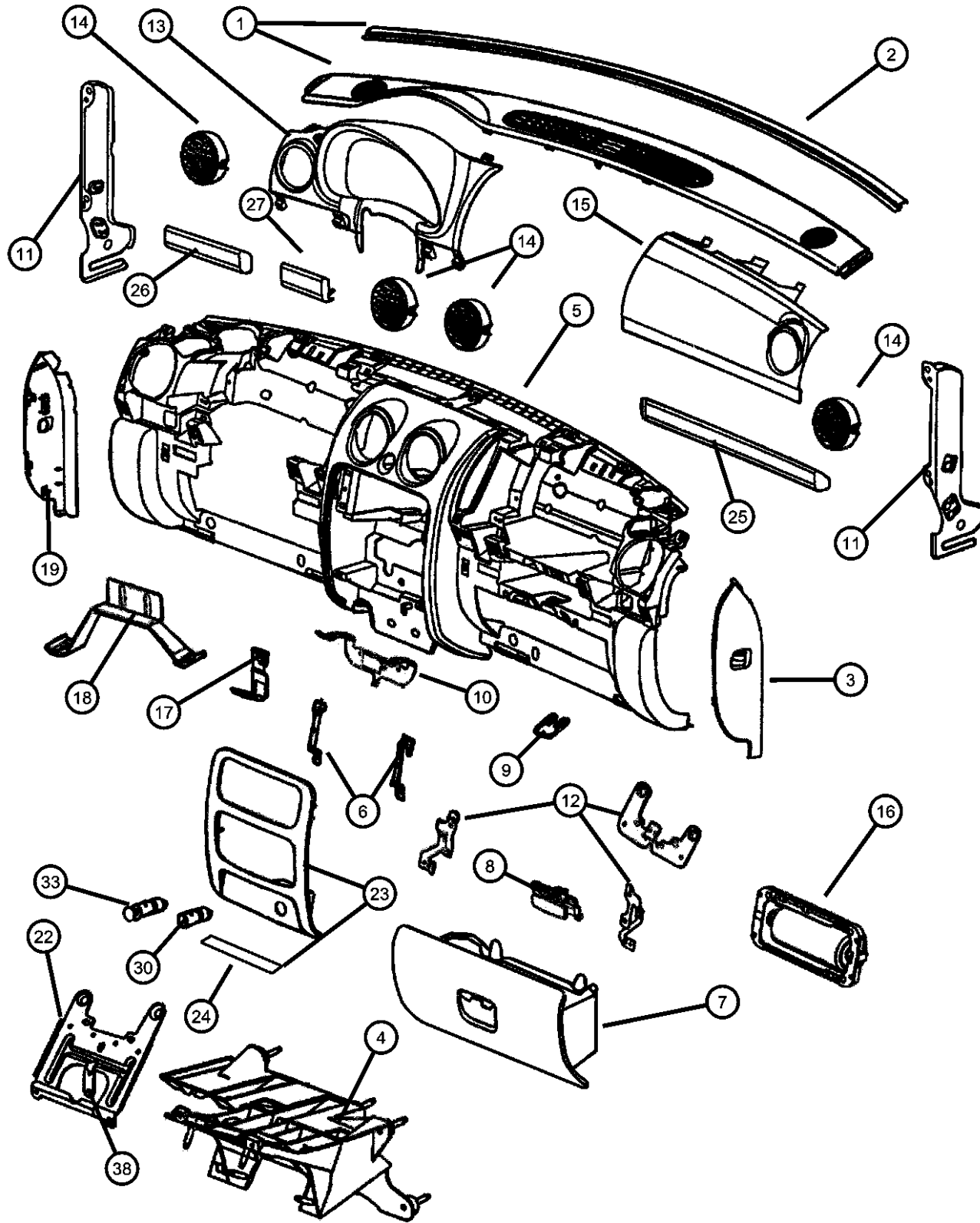
Consoles

Console, Overhead Fig. 08A - 410

Console, Floor..... Fig. 08A - 420



Instrument Panel
Figure 08A-110



ITEM	PART NUMBER	QTY	LINE	SERIES	BODY	ENGINE	TRANS	TRIM	DESCRIPTION
------	-------------	-----	------	--------	------	--------	-------	------	-------------

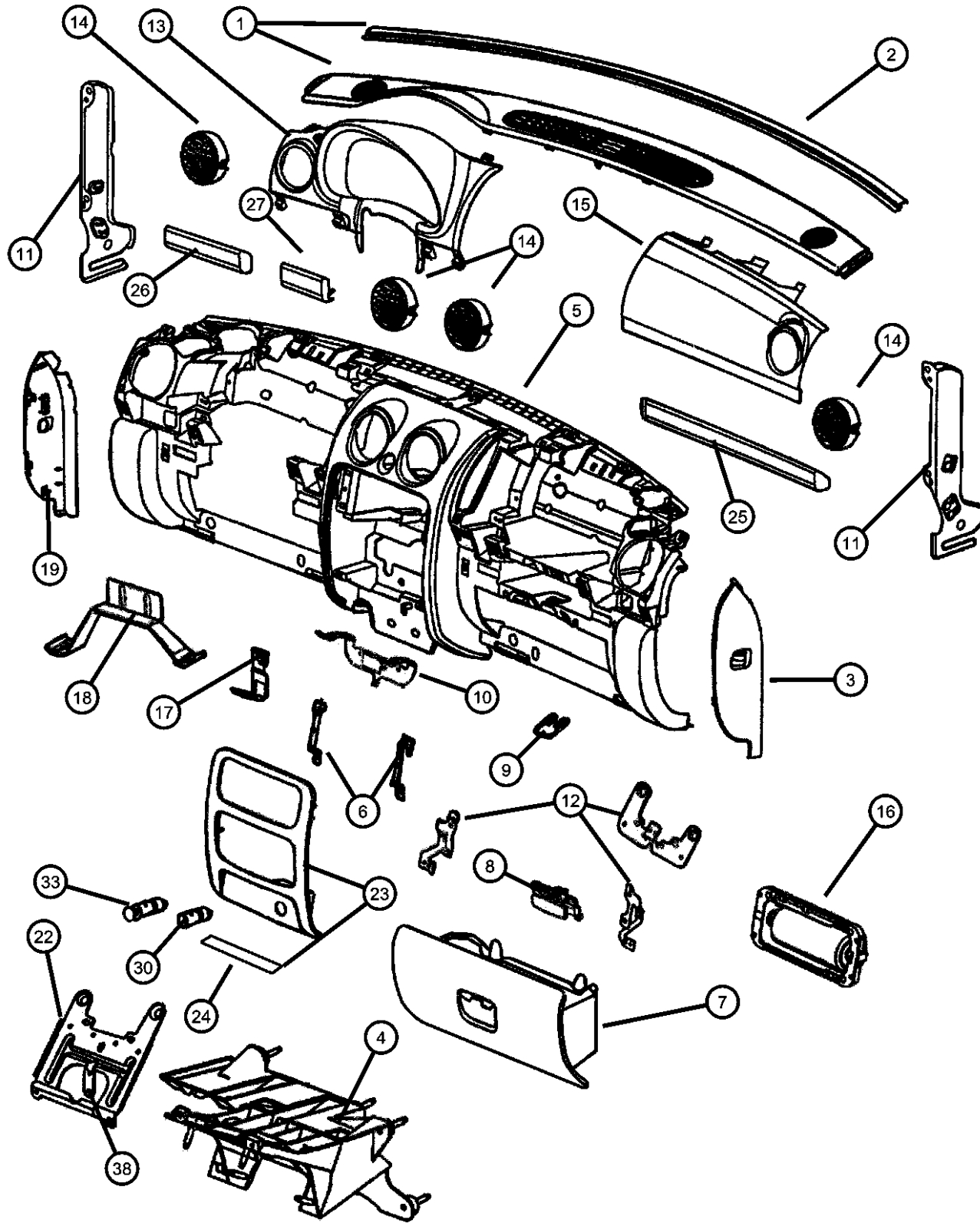
Notes:
[XCA] = Used with Grab Handle

1	5GD54WL8AD	1	J, T						COVER, Instrument Panel
		1	J, T						[L2] (Seal Serviced with Cover Only)
		1	J, T						[L5] (Seal Serviced with Cover Only)
	5GD54XD-VAD	1	J, T						[D2] (Seal Serviced with Cover Only)
		1	J, T						[DV] (Seal Serviced with Cover Only)
	5GJ79WL8AD	1	U						[L2] (Seal Serviced with Cover Only)
		1	U						[L5] (Seal Serviced with Cover Only)
	5GJ79XDVAD	1	U						[DV] (Seal Serviced with Cover Only)
2	5GJ79XDVAD	1							SEAL, Instrument Panel, (NOT SERVICED),
3	5GN55WL8AD	1	J, T						COVER, Instrument Panel Opening
		1	J, T						[L2]
		1	J, T						[L5]
	5GN55XD-VAD	1	J, T						[D2]
		1	J, T						[DV]
	5GN56WL8AD	1	U						[L2]
		1	U						[L5]
	5GN56XD-VAD	1	U						[DV]
4	55314987AA	1	J, T						BRACKET, Steering Column
		1	U						Lower
	55314988AA	1	U						Lower
5	0ZE85WL8AA	1	J, T						PANEL, Instrument
		1	J, T						[L2] With [XCA] (Radio Bracket, Glovebox & Latch Included)
		1	J, T						[L5] With [XCA] (Radio Bracket, Glovebox & Latch Included)

LIBERTY (KJ)					
SERIES	LINE	BODY	ENGINE	TRANSMISSION	
P = Limited	J = LHD (4WD)	74 = 4 Door (104.3 WB)	ED1 = Engine - 2.4L 4 Cyl DOHC 16v SMPI	DDD = Transmission - 5-Speed HD Manual	
H = Sport	U = RHD (4WD)		EKG = Engine - 3.7L V6	DDK = Transmission - 5-Speed HD Manual	
M = Renegade	T = LHD (2WD)		ENJ = Engine -2.5L 4 Cyl 16v Turbo Diesel	DG4 = Transmission-Multi-Speed Auto, 45RFE	
			ENR = Engine - 2.8L 4 Cyl Turbo Diesel	DG6 = Transmission-4-Spd. Automatic, 42RLE	
			ENO = 4Cyl Turbo Diesel	DGQ = Transmission-5-Spd Automatic 5-45RFE	
			ED0 = All 2.4L	DBB = All Manual Transmissions	
				DG0 = All Automatic Transmissions	

AR = use ase required - = Non illustrated part

Instrument Panel
Figure 08A-110



ITEM	PART NUMBER	QTY	LINE	SERIES	BODY	ENGINE	TRANS	TRIM	DESCRIPTION
	0ZE85XDVAA	1	J, T						[D2] With [XCA] (Radio Bracket, Glovebox & Latch Included)
		1	J, T						[DV] With [XCA] (Radio Bracket, Glovebox & Latch Included)
	0ZE87WL8AA	1	U						[L2] (Radio Bracket, Glovebox & Latch Included)
		1	U						[L5] (Radio Bracket, Glovebox & Latch Included)
	0ZE87XDVAA	1	U						[DV] (Radio Bracket, Glovebox & Latch Included)
	5JM34WL8AC	1	J, T						[L2]
		1	J, T						[L5]
	5JM34XDVAC	1	J, T						[D2]
		1	J, T						[DV]
	5JX85WL8AA	1	J, T						[L2] Without [XCA] (Radio Bracket, Glovebox & Latch Included)
		1	J, T						[L5] Without [XCA] (Radio Bracket, Glovebox & Latch Included)
	5JX85XDVAA	1	J, T						[D2] Without [XCA] (Radio Bracket, Glovebox & Latch Included)
		1	J, T						[DV] Without [XCA] (Radio Bracket, Glovebox & Latch Included)
6									BRACKET, Radio
	05072596AA	1	U						
		1	J, T						
7									GLOVE BOX, Instrument Panel
	0ZE71WL8AA	1	U						[L2] (Glovebox Latch Included)
		1	U						[L5] (Glovebox Latch Included)
		1	J, T						[L2] (Glovebox Latch Included)
		1	J, T						[L5] (Glovebox Latch Included)
	0ZE71XDVAA	1	J, T						[D2] (Glovebox Latch Included)
		1	J, T						[DV] (Glovebox Latch Included)

LIBERTY (KJ)

SERIES

P = Limited
H = Sport
M = Renegade

LINE

J = LHD (4WD)
U = RHD (4WD)
T = LHD (2WD)

BODY

74 = 4 Door (104.3 WB)

ENGINE

ED1 = Engine - 2.4L 4 Cyl
DOHC 16v SMPI
EKG = Engine - 3.7L V6
ENJ = Engine -2.5L 4 Cyl 16V
Turbo Diesel
ENR = Engine - 2.8L 4 Cyl
Turbo Diesel
ENO = 4Cyl Turbo Diesel
EKO = All 3.7L
EDO = All 2.4L

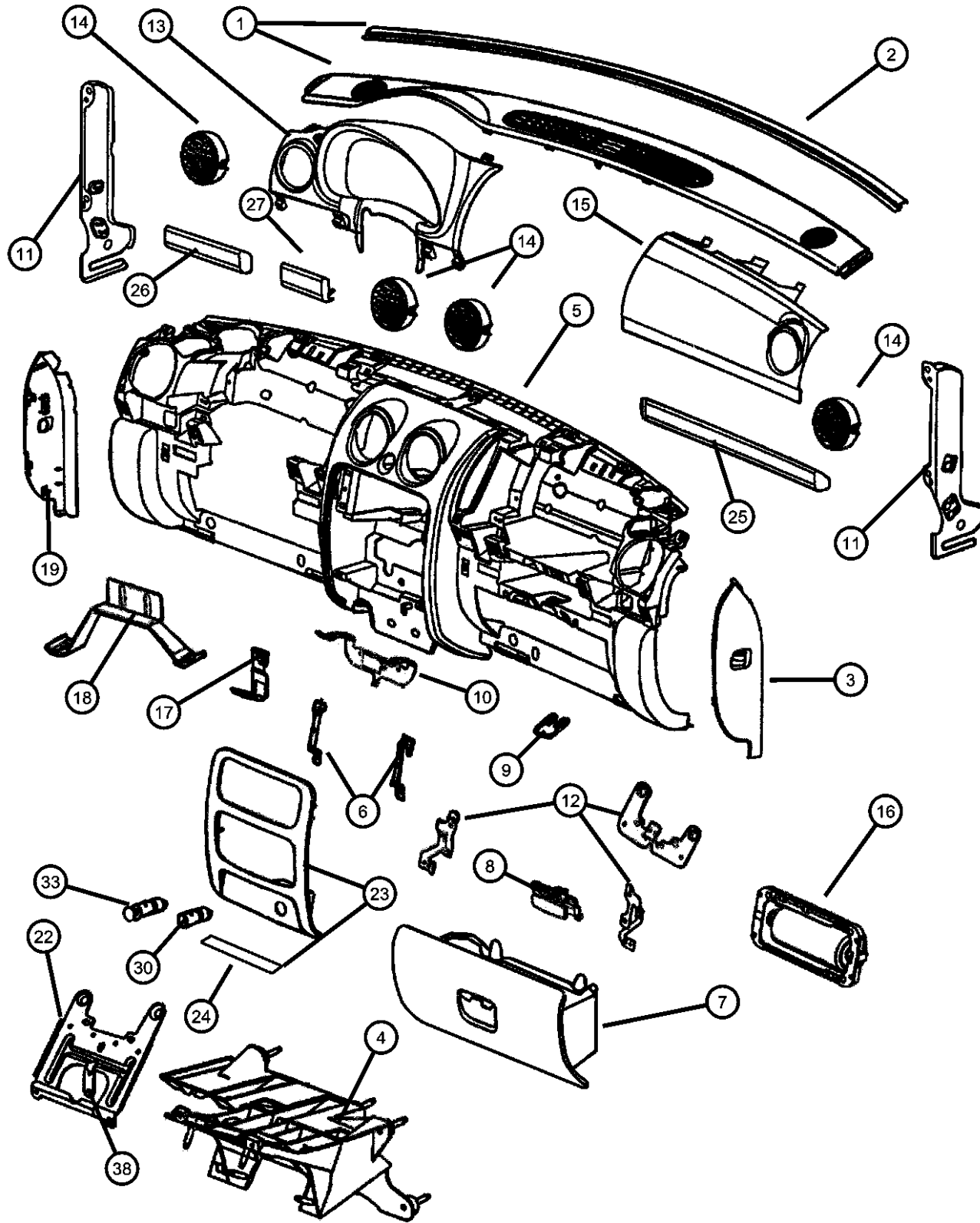
TRANSMISSION

DDD = Transmission - 5-Speed HD
Manual
DDK = Transmission - 5-Speed HD
Manual
DG4 = Transmission-Multi-Speed
Auto, 45RFE
DG6 = Transmission-4-Spd.
Automatic, 42RLE
DGQ = Transmission-5-Spd Automatic
5-45RFE
DBB = All Manual Transmissions
DG0 = All Automatic Transmissions

AR = use ase required - = Non illustrated part

2004 KJ

Instrument Panel
Figure 08A-110



ITEM	PART NUMBER	QTY	LINE	SERIES	BODY	ENGINE	TRANS	TRIM	DESCRIPTION
8		1	U						[DV] (Glovebox Latch Included) LATCH, Glovebox Door
	0WQ54WL8AA	1	J, T						[L2]
		1	J, T						[L5]
		1	U						[L2]
		1	U						[L5]
	0WQ54XD-VAA	1	J, T						[D2]
		1	J, T						[DV]
		1	U						[DV]
9									STRIKER, Glove Box Door Latch
	05072605AA	1	U						
		1	J, T						
10									BRACKET, Audio Equipment
	05072606AA	1	U						
		1	J, T						
11									BRACKET, Instrument Panel
	05073523AA	1	J, T						Instrument Panel Right End
	56052063AB	1	U						Instrument Panel End
	56052064AB	1	J, T						Left
		1	U						Left
	56052122AA	1	U						Bracket Guide Alignment, Right
		1	J, T						Bracket Guide Alignment, Right
	56052123AA	1	U						Bracket Guide Alignment, Left
		1	J, T						Bracket Guide Alignment, Left
12									BRACKET, Air Bag
	56052057AB	1	J, T						Passenger Door Mounting
	56052058AB	1	U						Passenger, Center
	56052059AB	1	J, T						Inboard, Left
	56052060AB	1	U						Inboard, Right

LIBERTY (KJ)

SERIES LINE
P = Limited J = LHD (4WD)
H = Sport U = RHD (4WD)
M = Renegade T = LHD (2WD)

BODY
74 = 4 Door (104.3 WB)

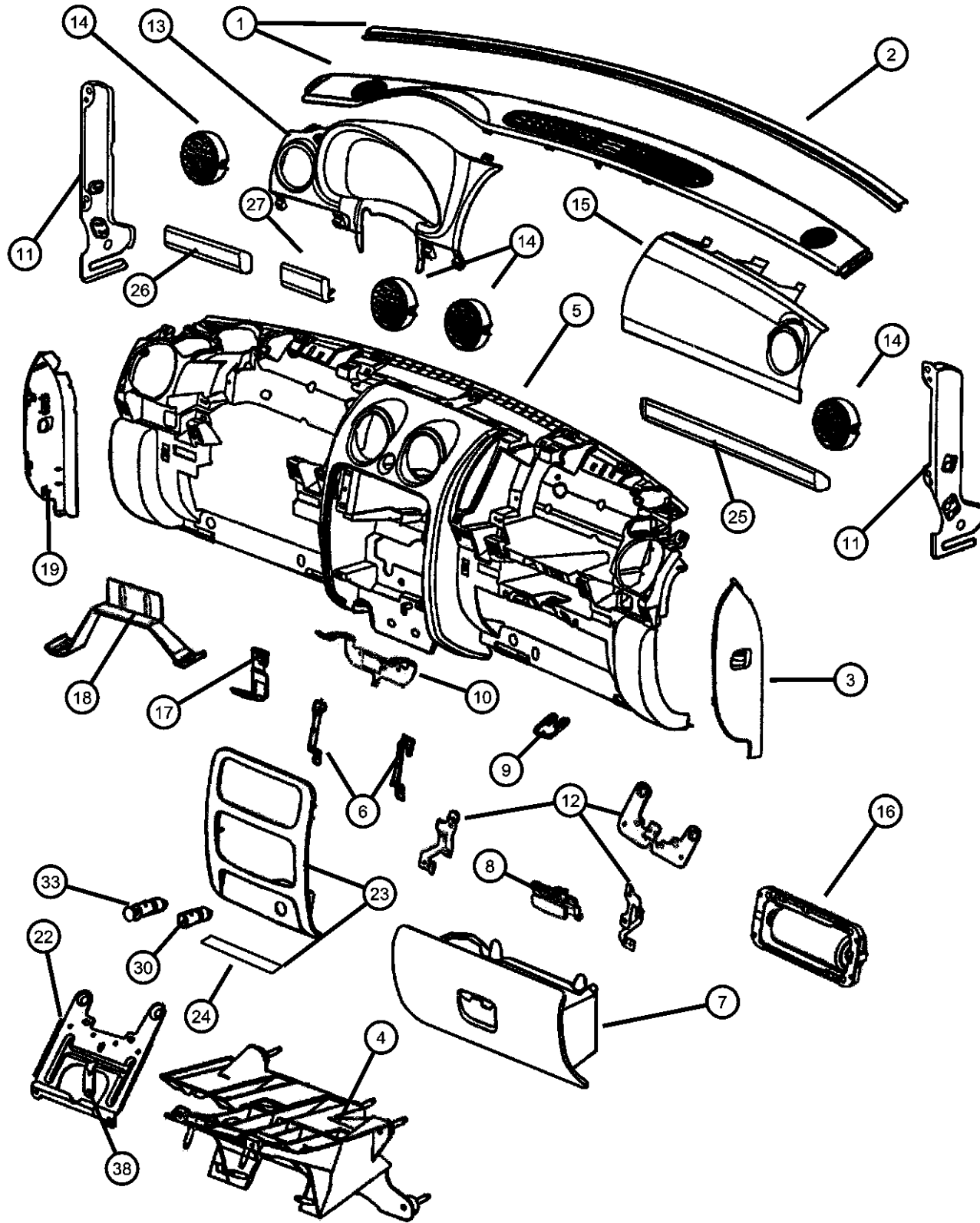
ENGINE
ED1 = Engine - 2.4L 4 Cyl
DOHC 16v SMPI
EKG = Engine - 3.7L V6
ENJ = Engine -2.5L 4 Cyl 16V
Turbo Diesel
ENR = Engine - 2.8L 4 Cyl
Turbo Diesel
ENO = 4Cyl Turbo Diesel
EKO = All 3.7L
EDO = All 2.4L

TRANSMISSION
DDD = Transmission - 5-Speed HD
Manual
DDK = Transmission - 5-Speed HD
Manual
DG4 = Transmission-Multi-Speed
Auto, 45RFE
DG6 = Transmission-4-Spd.
Automatic, 42RLE
DGQ = Transmission-5-Spd Automatic
5-45RFE
DBB = All Manual Transmissions
DG0 = All Automatic Transmissions

AR = use ase required - = Non illustrated part

2004 KJ

Instrument Panel
Figure 08A-110



ITEM	PART NUMBER	QTY	LINE	SERIES	BODY	ENGINE	TRANS	TRIM	DESCRIPTION
	56052061AB	1	J, T						Outboard, Right
	56052062AB	1	U						Outboard, Left
13	0WD13WL8AA	1	U						BEZEL, Cluster [L2]
		1	U						[L5]
	0WD13XD-VAA	1	U						[DV]
	5JA36WL8AB	1	J, T						[L2]
		1	J, T						[L5]
	5JA36XDVAB	1	J, T						[D2]
		1	J, T						[DV]
14	56052065AA	4	U						OUTLET, Air Conditioning & Heater
		4	J, T						
15	0WD14WL8AB	1	U						DOOR, Passenger Air Bag, Air Outlet Included (Heat Staked) [L2]
		1	U						[L5]
	0WD14XDVAB	1	U						[DV]
	0ZE70WL8AA	1	J, T						[L2] With [XCA]
		1	J, T						[L5] With [XCA]
	0ZE70XDVAA	1	J, T						[D2] With [XCA]
		1	J, T						[DV] With [XCA]
	5HZ98WL8AB	1	J, T						[L2] Without [XCA]
		1	J, T						[L5] Without [XCA]
	5HZ98XDVAB	1	J, T						[D2] Without [XCA]
		1	J, T						[DV] Without [XCA]
16	55315103AA	1							AIR BAG, Passenger
17	55037453AC	1							BRACKET, Instrument Panel, Hush Panel Bracket
18	55037453AC	1							BRACKET, Instrument Panel, Instrument Panel to Floor

LIBERTY (KJ)

SERIES	LINE
P = Limited	J = LHD (4WD)
H = Sport	U = RHD (4WD)
M = Renegade	T = LHD (2WD)

BODY
74 = 4 Door (104.3 WB)

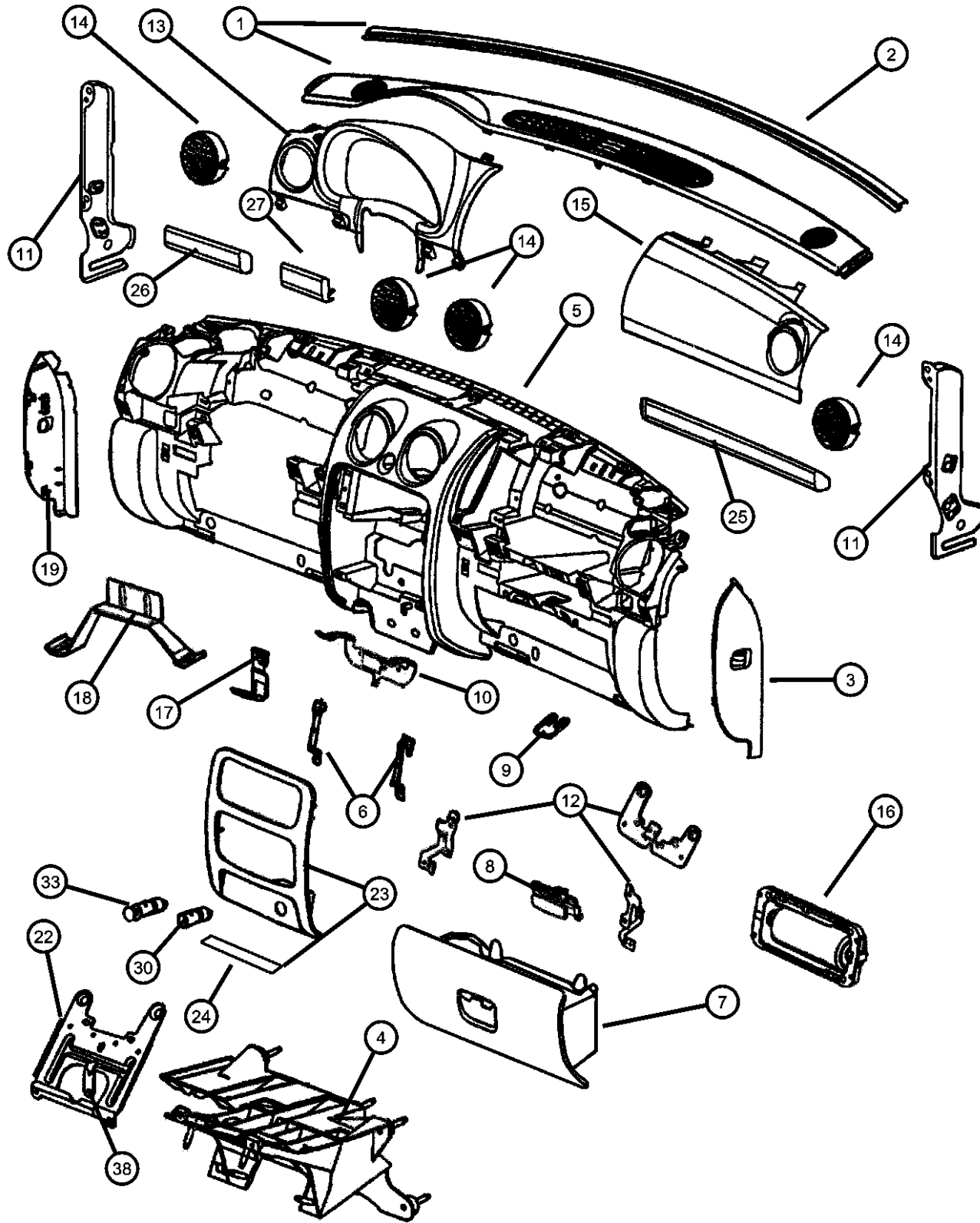
ENGINE
ED1 = Engine - 2.4L 4 Cyl DOHC 16v SMPI
EKG = Engine - 3.7L V6
ENJ = Engine -2.5L 4 Cyl 16V Turbo Diesel
ENR = Engine - 2.8L 4 Cyl Turbo Diesel
ENO = 4Cyl Turbo Diesel
EKO = All 3.7L
EDO = All 2.4L

TRANSMISSION
DDD = Transmission - 5-Speed HD Manual
DDK = Transmission - 5-Speed HD Manual
DG4 = Transmission-Multi-Speed Auto, 45RFE
DG6 = Transmission-4-Spd. Automatic, 42RLE
DGQ = Transmission-5-Spd Automatic 5-45RFE
DBB = All Manual Transmissions
DG0 = All Automatic Transmissions

AR = use ase required - = Non illustrated part

2004 KJ

Instrument Panel
Figure 08A-110



ITEM	PART NUMBER	QTY	LINE	SERIES	BODY	ENGINE	TRANS	TRIM	DESCRIPTION
		1	U	H					[L5] Black with Black Cubby Bin & Mat (Sport)
		1	J, T						[L2] Black with Black Cubby Bin & Mat (Renegade)
		1	U						[L2] Black with Black Cubby Bin & Mat (Renegade)
24									PAD, Instrument Panel
	05093855AA	1	U						Cubby Bin (Black Rubber Mat)
		1	J, T						Cubby Bin (Black Rubber Mat)
25									BEZEL, Instrument Panel
	0WB001DVAA	1	U	H					[DV] Passenger Side, Above Glovebox (Sport)
		1	U	P					[DV] Passenger Side, Above Glovebox (Limited)
		1	U						[DV] Passenger Side, Above Glovebox (Renegade)
	0WB001L8AA	1	U	H					[L5] Passenger Side, Above Glovebox (Sport)
		1	U	P					[L2] Passenger Side, Above Glovebox (Limited)
		1	U	P					[L5] Passenger Side, Above Glovebox (Limited)
		1	U						[L2] Passenger Side, Above Glovebox (Renegade)
		1	U						[L5] Passenger Side, Above Glovebox (Renegade)
	5JA401DVAA	1	J, T	H					[DV] Passenger Side, Above Glovebox (Sport)
		1	J, T	P					[DV] Passenger Side, Above Glovebox (Limited)
		1	J, T						[DV] Passenger Side, Above Glovebox (Renegade)
	5JA401L8AA	1	J, T	H					[L5] Passenger Side, Above Glovebox (Sport)
		1	J, T	P					[L2] Passenger Side, Above Glovebox (Limited)
		1	J, T	P					[L5] Passenger Side, Above Glovebox (Limited)
		1	J, T						[L2] Passenger Side, Above Glovebox (Renegade)

LIBERTY (KJ)
SERIES
P = Limited
H = Sport
M = Renegade

LINE
J = LHD (4WD)
U = RHD (4WD)
T = LHD (2WD)

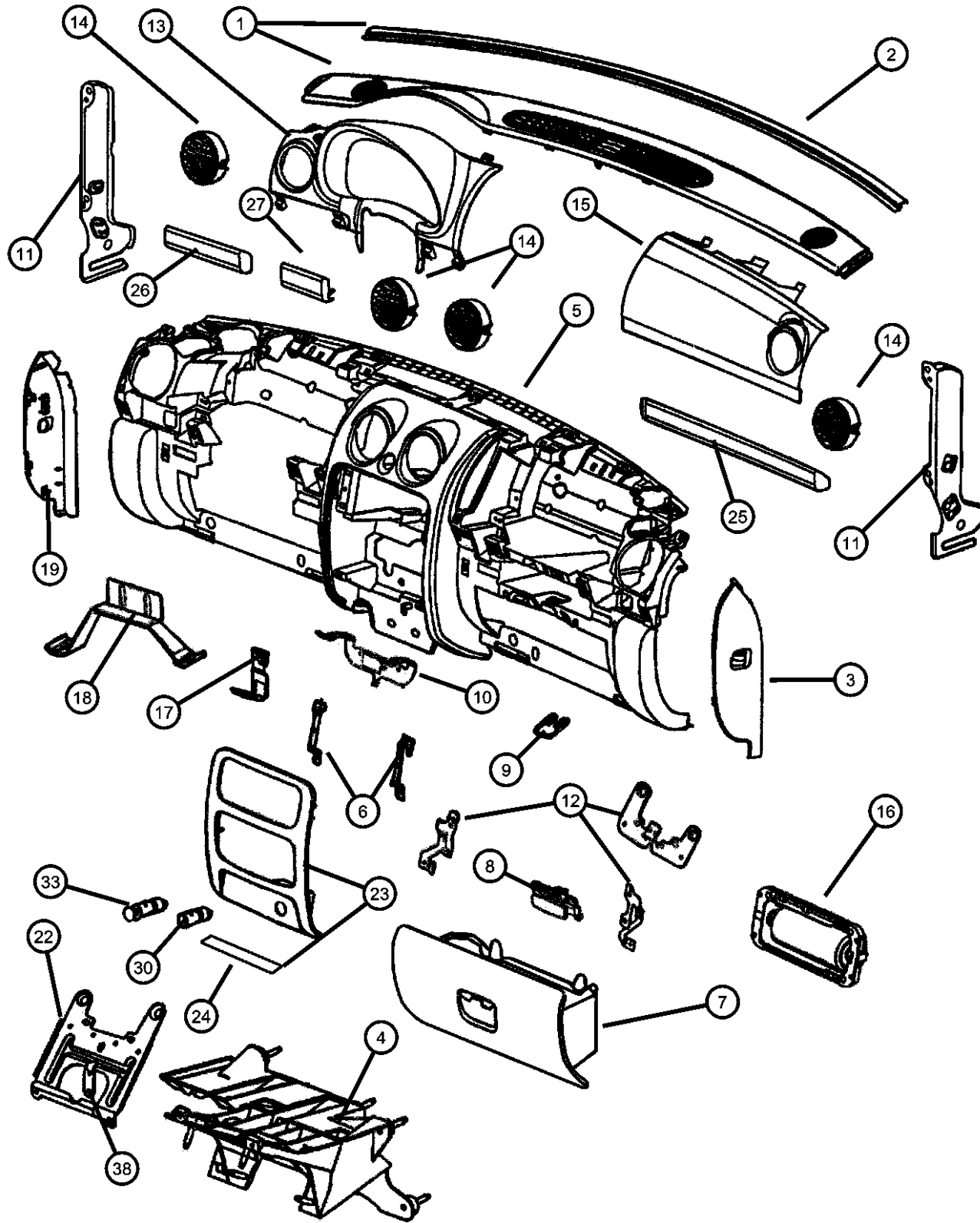
BODY
74 = 4 Door (104.3 WB)

ENGINE
ED1 = Engine - 2.4L 4 Cyl DOHC 16v SMPI
EKG = Engine - 3.7L V6
ENJ = Engine -2.5L 4 Cyl 16v Turbo Diesel
ENR = Engine - 2.8L 4 Cyl Turbo Diesel
ENO = 4Cyl Turbo Diesel
EKO = All 3.7L
EDO = All 2.4L

TRANSMISSION
DDD = Transmission - 5-Speed HD Manual
DDK = Transmission - 5-Speed HD Manual
DG4 = Transmission-Multi-Speed Auto, 45RFE
DG6 = Transmission-4-Spd. Automatic, 42RLE
DGQ = Transmission-5-Spd Automatic 5-45RFE
DBB = All Manual Transmissions
DG0 = All Automatic Transmissions

AR = use ase required - = Non illustrated part

Instrument Panel
Figure 08A-110



ITEM	PART NUMBER	QTY	LINE	SERIES	BODY	ENGINE	TRANS	TRIM	DESCRIPTION
26	OWA981DVAA	1	J, T						[L5] Passenger Side, Above Glovebox (Renegade) BEZEL, Instrument Panel
	OWA981L8AA	1	U	H					[DV] Outboard Side of Steering Wheel, with or without Headlamp Leveling (Sport)
	OWA981L8AA	1	U	P					[DV] Outboard Side of Steering Wheel, with or without Headlamp Leveling (Limited)
	OWA981L8AA	1	U	H					[15] Outboard Side of Steering Wheel, with or without Headlamp Leveling (Sport)
	OWA981L8AA	1	U	P					[L2] Outboard Side of Steering Wheel, with or without Headlamp Leveling (Limited)
	0XW301DVAA	1	J, T						[DV] Outboard Side of Steering Wheel, with Headlamp Leveling
	0XW301L8AA	1	J, T						[L2] Outboard Side of Steering Wheel, with Headlamp Leveling
	0ZE791DVAA	1	J, T	H					[L5] Outboard Side of Steering Wheel, with Headlamp Leveling
	0ZE791DVAA	1	J, T	H					[DV] Outboard Side of Steering Wheel, without Headlamp Leveling (Sport)
	0ZE791L8AA	1	J, T	H					[D2] Outboard Side of Steering Wheel, without Headlamp Leveling (Limited)
	0ZE791L8AA	1	J, T	H					[DV] Outboard Side of Steering Wheel, without Headlamp Leveling (Limited)
	0ZE791L8AA	1	J, T	H					[L5] Outboard Side of Steering Wheel, without Headlamp Leveling (Sport)
	0ZE791L8AA	1	J, T	H					[L2] Outboard Side of Steering Wheel, without Headlamp Leveling
	0ZE791L8AA	1	J, T	H					[L2] Outboard Side of Steering Wheel, without Headlamp Leveling (Limited)
	0ZE801DVAA	1	J, T						[DV] Outboard Side of Steering Wheel, without Headlamp Leveling (Renegade)

LIBERTY (KJ)
SERIES
P = Limited
H = Sport
M = Renegade

LINE
J = LHD (4WD)
U = RHD (4WD)
T = LHD (2WD)

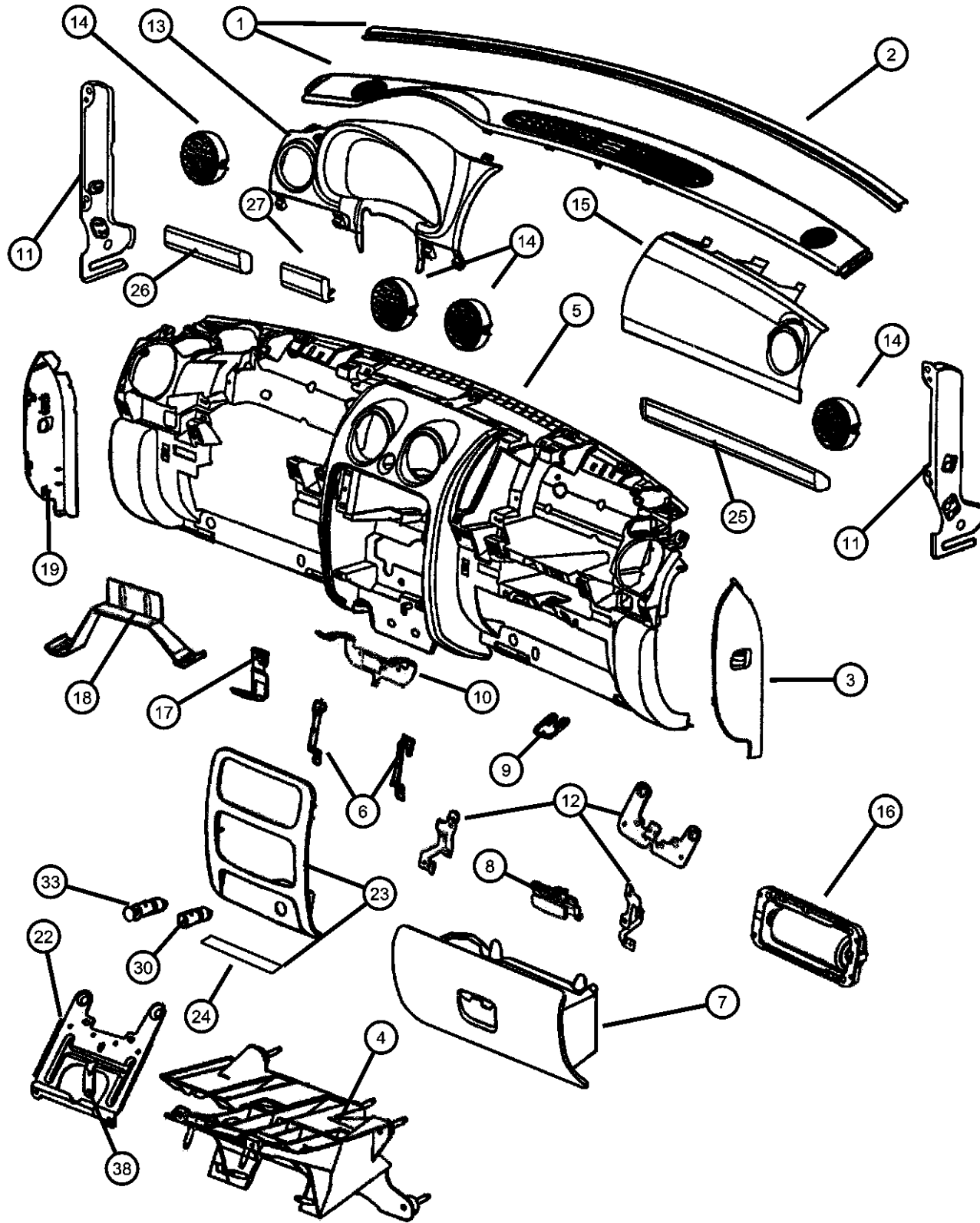
BODY
74 = 4 Door (104.3 WB)

ENGINE
ED1 = Engine - 2.4L 4 Cyl DOHC 16v SMPI
EKG = Engine - 3.7L V6
ENJ = Engine -2.5L 4 Cyl 16v Turbo Diesel
ENR = Engine - 2.8L 4 Cyl Turbo Diesel
ENO = 4Cyl Turbo Diesel
EKO = All 3.7L
EDO = All 2.4L

TRANSMISSION
DDD = Transmission - 5-Speed HD Manual
DDK = Transmission - 5-Speed HD Manual
DG4 = Transmission-Multi-Speed Auto, 45RFE
DG6 = Transmission-4-Spd. Automatic, 42RLE
DGQ = Transmission-5-Spd Automatic 5-45RFE
DBB = All Manual Transmissions
DG0 = All Automatic Transmissions

AR = use ase required - = Non illustrated part

Instrument Panel
Figure 08A-110



ITEM	PART NUMBER	QTY	LINE	SERIES	BODY	ENGINE	TRANS	TRIM	DESCRIPTION
		1	J, T						[D2] Outboard Side of Steering Wheel, without Headlamp Leveling (Renegade)
	0ZE801L8AA	1	J, T						[L5] Outboard Side of Steering Wheel, without Headlamp Leveling (Renegade)
		1	J, T						[L2] Outboard Side of Steering Wheel, without Headlamp Leveling (Renegade)
	0ZE831DVAA	1	U						[DV] Outboard Side of Steering Wheel, with Headlamp Leveling
	0ZE831L8AA	1	U						[L2] Outboard Side of Steering Wheel, with Headlamp Leveling
		1	U						[L5] Outboard Side of Steering Wheel, with Headlamp Leveling
27	0WA991DVAA	1	U	H					BEZEL, Instrument Panel
		1	U	P					[DV] Inboard Side of Steering Wheel (Sport)
		1	U						[DV] Inboard Side of Steering Wheel (Limited)
		1	U						[DV] Inboard Side of Steering Wheel (Renegade)
	0WA991L8AA	1	U	H					[L5] Inboard Side of Steering Wheel (Sport)
		1	U	P					[L2] Inboard Side of Steering Wheel (Limited)
		1	U	P					[L5] Inboard Side of Steering Wheel (Limited)
		1	U						[L2] Inboard Side of Steering Wheel (Renegade)
		1	U						[L5] Inboard Side of Steering Wheel (Renegade)
	0WB011DVAA	1	U	H					[DV] Outboard Side of Steering Wheel, with Headlamp Leveling
		1	U	P					[DV] Outboard Side of Steering Wheel, with Headlamp Leveling
		1	U						[DV] Outboard Side of Steering Wheel, with Headlamp Leveling
	0WB011L8AA	1	U	H					[L5] Outboard Side of Steering Wheel, with Headlamp Leveling

LIBERTY (KJ)

SERIES

P = Limited
H = Sport
M = Renegade

LINE

J = LHD (4WD)
U = RHD (4WD)
T = LHD (2WD)

BODY

74 = 4 Door (104.3 WB)

ENGINE

ED1 = Engine - 2.4L 4 Cyl DOHC 16v SMPI
EKG = Engine - 3.7L V6
ENJ = Engine -2.5L 4 Cyl 16v Turbo Diesel
ENR = Engine - 2.8L 4 Cyl Turbo Diesel
ENO = 4Cyl Turbo Diesel
EKO = All 3.7L
EDO = All 2.4L

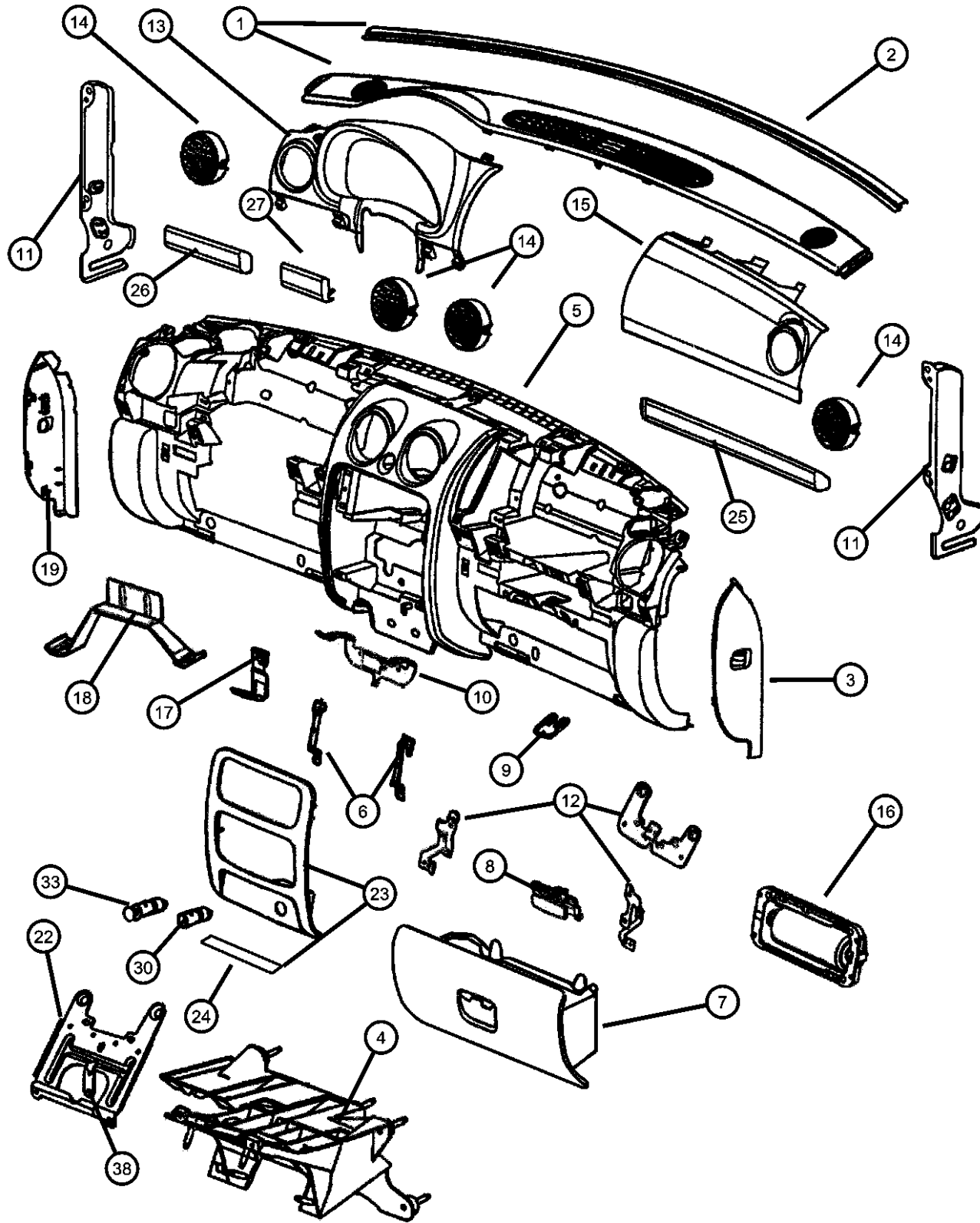
TRANSMISSION

DDD = Transmission - 5-Speed HD Manual
DDK = Transmission - 5-Speed HD Manual
DG4 = Transmission-Multi-Speed Auto, 45RFE
DG6 = Transmission-4-Spd. Automatic, 42RLE
DGQ = Transmission-5-Spd Automatic 5-45RFE
DBB = All Manual Transmissions
DG0 = All Automatic Transmissions

AR = use ase required - = Non illustrated part

2004 KJ

Instrument Panel
Figure 08A-110



ITEM	PART NUMBER	QTY	LINE	SERIES	BODY	ENGINE	TRANS	TRIM	DESCRIPTION
		1	U	P					[L2] Outboard Side of Steering Wheel, with Headlamp Leveling
		1	U	P					[L5] Outboard Side of Steering Wheel, with Headlamp Leveling
		1	U						[L2] Outboard Side of Steering Wheel, with Headlamp Leveling
		1	U						[L5] Outboard Side of Steering Wheel, with Headlamp Leveling
	0WB051DVAA	1	J, T	H					[DV] Outboard Side of Steering Wheel, with Headlamp Leveling
		1	J, T	P					[DV] Outboard Side of Steering Wheel, with Headlamp Leveling
		1	J, T						[DV] Outboard Side of Steering Wheel, with Headlamp Leveling
	0WB051L8AA	1	J, T	H					[L5] Outboard Side of Steering Wheel, with Headlamp Leveling
		1	J, T	P					[L2] Outboard Side of Steering Wheel, with Headlamp Leveling
		1	J, T	P					[L5] Outboard Side of Steering Wheel, with Headlamp Leveling
		1	J, T						[L2] Outboard Side of Steering Wheel, with Headlamp Leveling
		1	J, T						[L5] Outboard Side of Steering Wheel, with Headlamp Leveling
	0ZE781DVAA	1	J, T	H					[DV] Inboard Side of Steering Wheel (Sport)
		1	J, T	P					[D2] Inboard Side of Steering Wheel (Limited)
		1	J, T	P					[DV] Inboard Side of Steering Wheel (Limited)
		1	J, T						[DV] Inboard Side of Steering Wheel (Renegade)
		1	J, T						[D2] Inboard Side of Steering Wheel (Renegade)
	0ZE781L8AA	1	J, T	H					[L5] Inboard Side of Steering Wheel (Sport)
		1	J, T	P					[L2] Inboard Side of Steering Wheel (Limited)
		1	J, T	P					[L5] Inboard Side of Steering Wheel (Limited)
		1	J, T						[L5] Inboard Side of Steering Wheel (Renegade)

LIBERTY (KJ)
SERIES
P = Limited
H = Sport
M = Renegade

LINE
J = LHD (4WD)
U = RHD (4WD)
T = LHD (2WD)

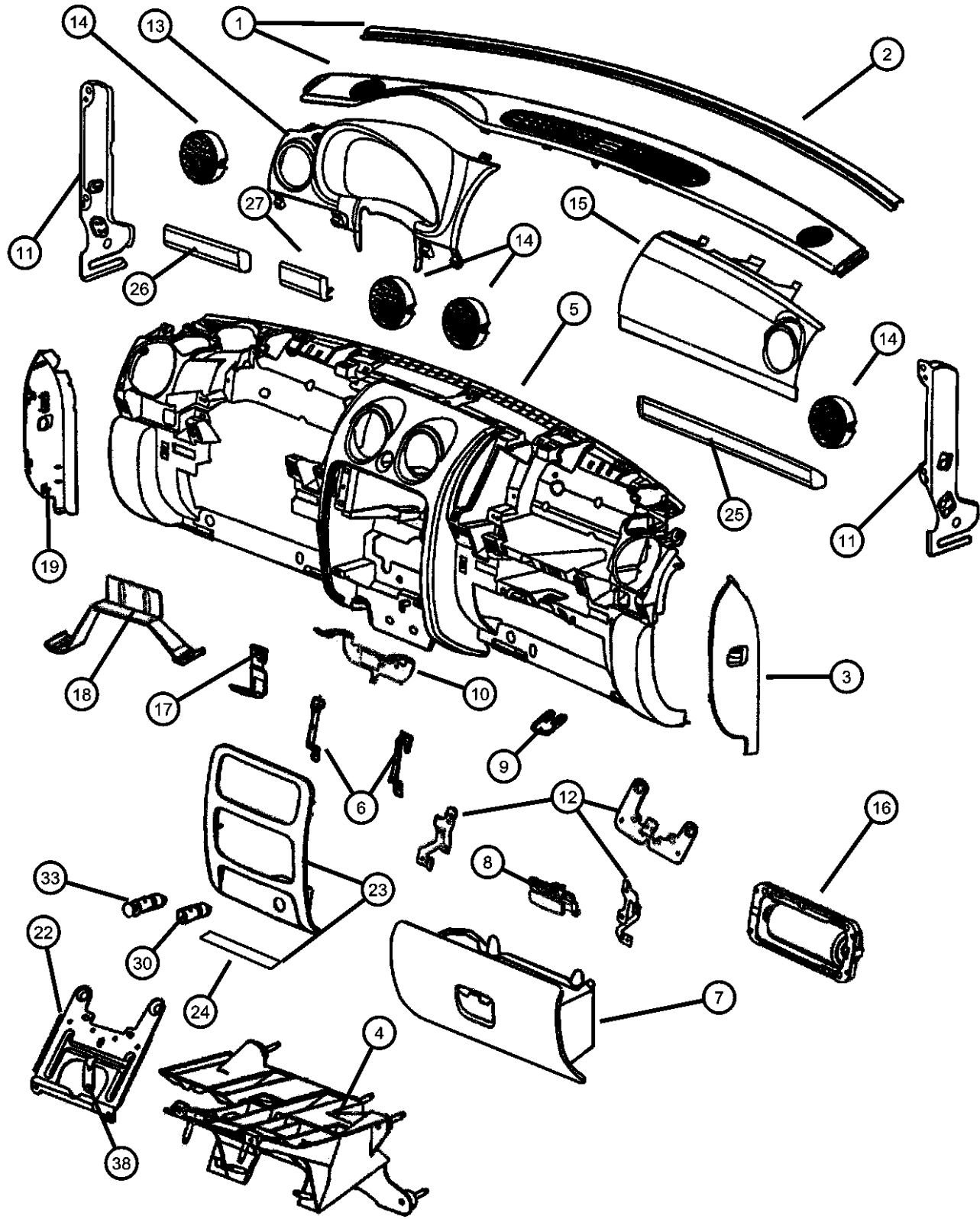
BODY
74 = 4 Door (104.3 WB)

ENGINE
ED1 = Engine - 2.4L 4 Cyl DOHC 16v SMPI
EKG = Engine - 3.7L V6
ENJ = Engine -2.5L 4 Cyl 16v Turbo Diesel
ENR = Engine - 2.8L 4 Cyl Turbo Diesel
ENO = 4Cyl Turbo Diesel
EKO = All 3.7L
EDO = All 2.4L

TRANSMISSION
DDD = Transmission - 5-Speed HD Manual
DDK = Transmission - 5-Speed HD Manual
DG4 = Transmission-Multi-Speed Auto, 45RFE
DG6 = Transmission-4-Spd. Automatic, 42RLE
DGQ = Transmission-5-Spd Automatic 5-45RFE
DBB = All Manual Transmissions
DG0 = All Automatic Transmissions

AR = use ase required - = Non illustrated part

Instrument Panel
Figure 08A-110

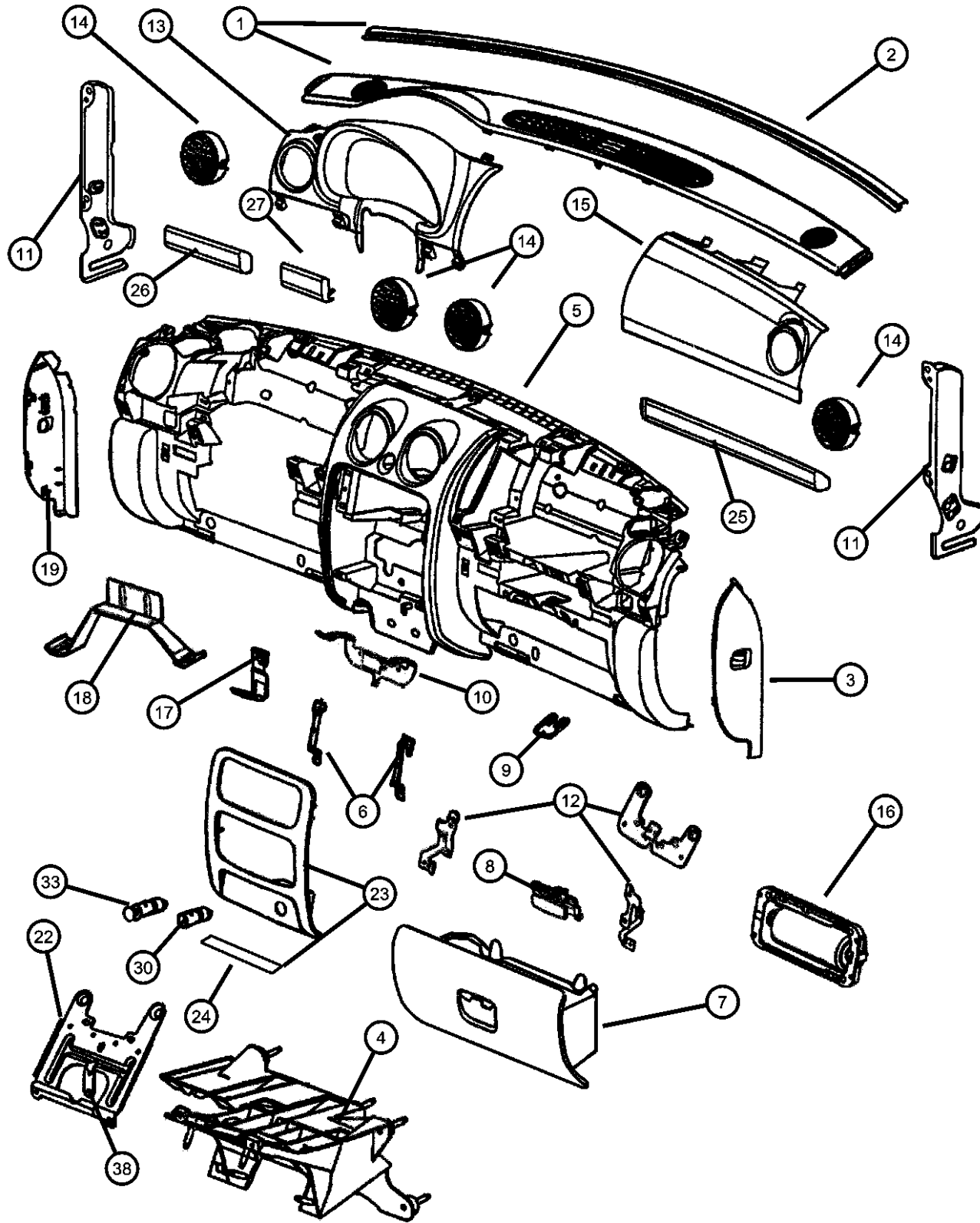


ITEM	PART NUMBER	QTY	LINE	SERIES	BODY	ENGINE	TRANS	TRIM	DESCRIPTION
-28		1	J, T						[L2] Inboard Side of Steering Wheel (Renegade) HANDLE, Grab
	OZE751DVAA	1	J, T	H					[DV] Instrument Panel Grab Handle Kit (Bolt Cover Caps Included) Sport
		1	J, T	P					[D2] Instrument Panel Grab Handle Kit (Bolt Cover Caps Included) Limited
		1	J, T	P					[DV] Instrument Panel Grab Handle Kit (Bolt Cover Caps Included) Limited
		1	J, T						[DV] Instrument Panel Grab Handle Kit (Bolt Cover Caps Included) Limited
	OZE751L8AA	1	J, T	H					[DV] Instrument Panel Grab Handle Kit (Bolt Cover Caps Included) Renegade
		1	J, T	P					[L5] Instrument Panel Grab Handle Kit (Bolt Cover Caps Included) Sport
		1	J, T	P					[L2] Instrument Panel Grab Handle Kit (Bolt Cover Caps Included) Limited
		1	J, T	P					[L5] Instrument Panel Grab Handle Kit (Bolt Cover Caps Included) Limited
		1	J, T						[L5] Instrument Panel Grab Handle Kit (Bolt Cover Caps Included) Limited
		1	J, T						[L5] Instrument Panel Grab Handle Kit (Bolt Cover Caps Included) Renegade
-29		1	J, T						[L2] Instrument Panel Grab Handle Kit (Bolt Cover Caps Included) Renegade
	OZE761DVAA	1	J, T						CAP, Bolt Cover
		1	J, T						[DV], Left
	OZE761L8AA	1	J, T						[D2], Left
		1	J, T						[L5], Left
		1	J, T						[L2], Left
	OZE771DVAA	1	J, T						[DV], Right
		1	J, T						[D2], Right
	OZE771L8AA	1	J, T						[L5], Right

LIBERTY (KJ)
SERIES **LINE** **BODY** **ENGINE** **TRANSMISSION**
P = Limited J = LHD (4WD) 74 = 4 Door (104.3 WB) ED1 = Engine - 2.4L 4 Cyl DOHC 16v SMPI DDD = Transmission - 5-Speed HD Manual
H = Sport U = RHD (4WD) EKG = Engine - 3.7L V6 DDK = Transmission - 5-Speed HD Manual
M = Renegade T = LHD (2WD) ENJ = Engine -2.5L 4 Cyl 16v Turbo Diesel DG4 = Transmission-Multi-Speed Auto, 45RFE
ENR = Engine - 2.8L 4 Cyl Turbo Diesel DG6 = Transmission-4-Spd. Automatic, 42RLE
ENO = 4Cyl Turbo Diesel DGQ = Transmission-5-Spd Automatic 5-45RFE
ED0 = All 2.4L DBB = All Manual Transmissions
DG0 = All Automatic Transmissions

AR = use ase required - = Non illustrated part

Instrument Panel
Figure 08A-110



ITEM	PART NUMBER	QTY	LINE	SERIES	BODY	ENGINE	TRANS	TRIM	DESCRIPTION
									[L2], Right
30	04793554AB	1	J, T						POWER OUTLET
-31									MOUNT, Power Outlet
	04685668AA	1							Rear
	56010621AA	1							
-32	04685590	1							BASE, Cigar Lighter
33	04685536	1							KNOB AND ELEMENT, Cigar Lighter
-34	04793555	1							RING, Cigar Lighter Mounting
-35									PANEL, CLOSEOUT
	55352786AD	1	J, T						Right
	55352787AE	1	J, T						Left
	55352788AE	1	U						Right
	55352789AF	1	U						Left
-36	06101945	4							SCREW, Closeout Panel Attaching
-37	04595823AB	1							SMOKERS KIT, Ash Receiver With Lighter
38	04595665AB	1							ASH RECEIVER, Floor Console
-39	05140877AA	1	U						GROMMET, Instrument Panel

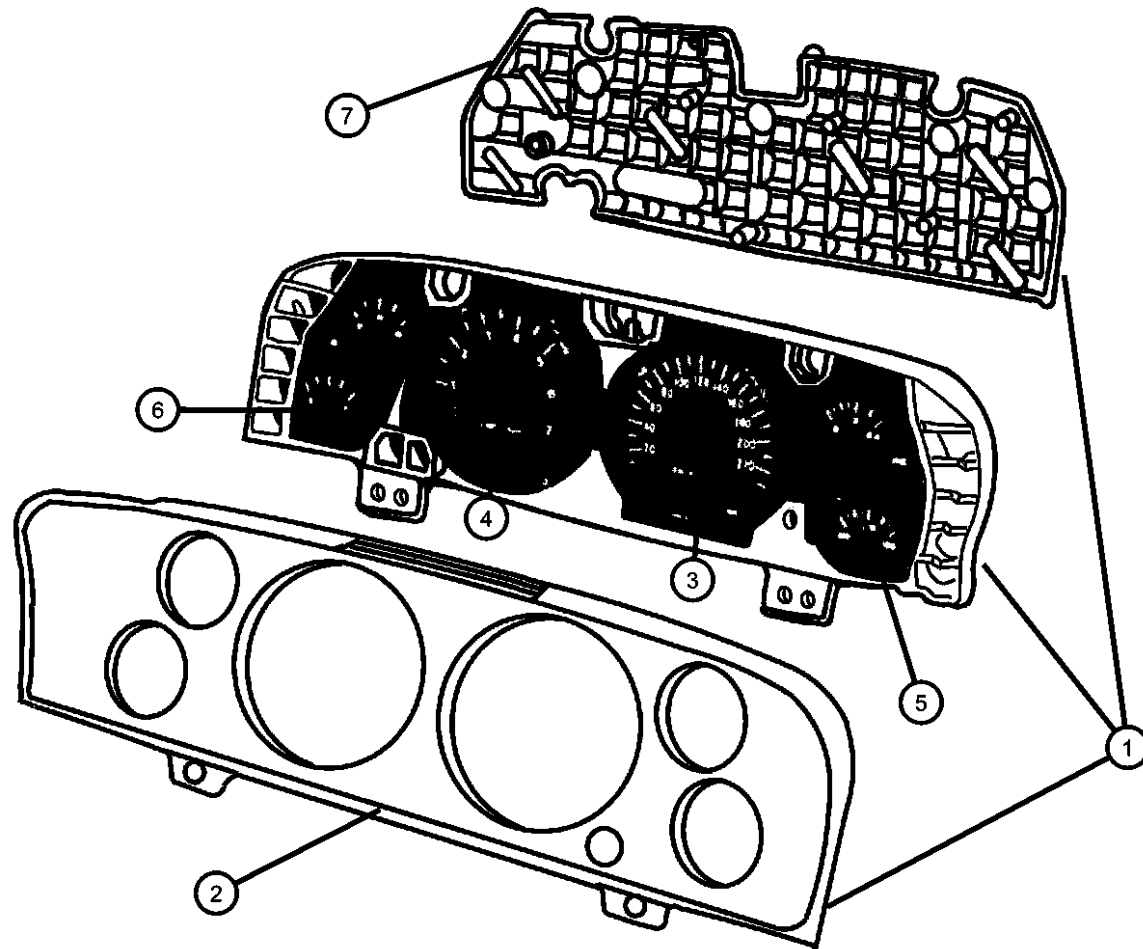
LIBERTY (KJ)				
SERIES	LINE	BODY	ENGINE	TRANSMISSION
P = Limited	J = LHD (4WD)	74 = 4 Door (104.3 WB)	ED1 = Engine - 2.4L 4 Cyl DOHC 16v SMPI	DDD = Transmission - 5-Speed HD Manual
H = Sport	U = RHD (4WD)		EKG = Engine - 3.7L V6 Turbo Diesel	DDK = Transmission - 5-Speed HD Manual
M = Renegade	T = LHD (2WD)		ENJ = Engine -2.5L 4 Cyl 16V Turbo Diesel	DG4 = Transmission-Multi-Speed Auto, 45RFE
			ENR = Engine - 2.8L 4 Cyl Turbo Diesel	DG6 = Transmission-4-Spd. Automatic, 42RLE
			ENO = 4Cyl Turbo Diesel	DGQ = Transmission-5-Spd Automatic 5-45RFE
			EK0 = All 3.7L	DBB = All Manual Transmissions
			ED0 = All 2.4L	DG0 = All Automatic Transmissions

AR = use ase required - = Non illustrated part

**Instrument Panel Cluster
Figure 08A-210**

ITEM	PART NUMBER	QTY	LINE	SERIES	BODY	ENGINE	TRANS	TRIM	DESCRIPTION
------	-------------	-----	------	--------	------	--------	-------	------	-------------

Notes:
 [ED0] = 2.4L 4 Cylinder Engine
 [EK0] = 3.7L V6 Cylinder Engine
 [EN0] = All 4/5 Cylinder Turbo Diesel Engines
 [JA2]=Instrument Cluster with Tach
 [JAY]=Instrument Cluster with Tach
 [JCB]= 120 MPH with Primary
 [JDJ]= 240 KPH with Primary
 [JDR]= 240 KPH without Primary
 [ABU]=United Kingdom Equipment Package



1									CLUSTER, Complete Cluster Assembly w/Lens, Circuit Board, Odometer Knob, Bulbs & Gauges
	56010572AE	1				ED0, EK0			[JCB+JAY-ABU]
	56010573AE	1				ED0, EK0			[JCB+JAY+ABU]
	56010574AE	1				ED0, EK0			[JDJ+JAY]
	56010575AE	1				ED0, EK0			[JDR+JAY]
	56010576AE	1				EN0			[JCB+JAY]
	56010577AE	1				EN0			[JDJ+JAY]
	56010578AE	1				EN0			[JDR+JAY]
	56010582AE	1				ED0, EK0			[JCB+JA2-ABU]
	56010583AE	1				ED0, EK0			[JCB+JA2+ABU]
	56010584AE	1				ED0, EK0			[JDJ+JA2]
	56010585AE	1				ED0, EK0			[JDR+JA2]
	56010586AE	1				EN0			[JCB+JA2]
	56010587AE	1				EN0			[JDJ+JA2]
	56010588AE	1				EN0			[JDR+JA2]
2									MASK AND LENS, Instrument Cluster
	04828962AB	1				ED0, EK0			Sport & Renegade
		1				EN0			Sport & Renegade
	04832731AB	1				ED0, EK0			Limited
		1				EN0			Limited

LIBERTY (KJ)

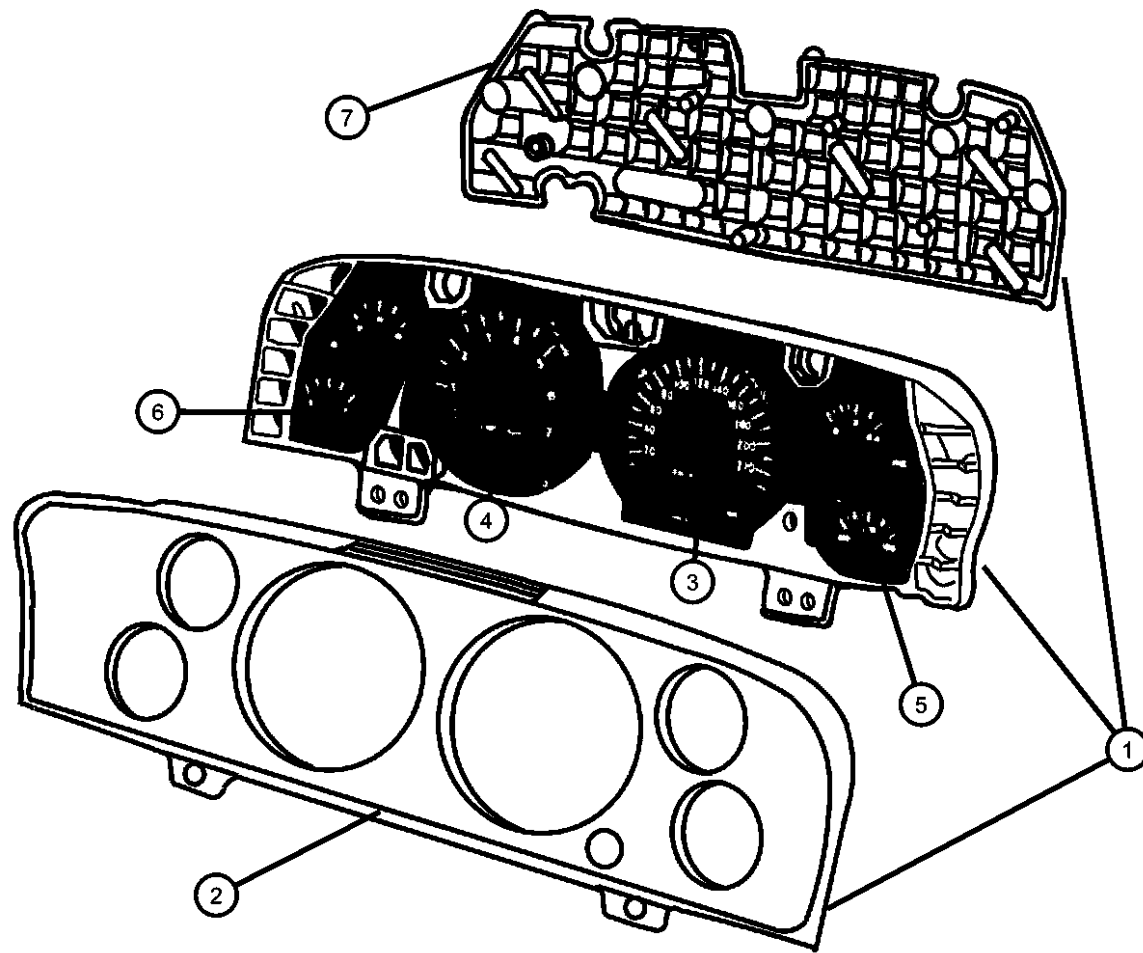
SERIES	LINE	BODY	ENGINE	TRANSMISSION
P = Limited	J = LHD (4WD)	74 = 4 Door (104.3 WB)	ED1 = Engine - 2.4L 4 Cyl DOHC 16v SMPI	DDD = Transmission - 5-Speed HD Manual
H = Sport	U = RHD (4WD)		EKG = Engine - 3.7L V6	DDK = Transmission - 5-Speed HD Manual
M = Renegade	T = LHD (2WD)		ENJ = Engine -2.5L 4 Cyl 16v Turbo Diesel	DG4 = Transmission-Multi-Speed Auto, 45RFE
			ENR = Engine - 2.8L 4 Cyl Turbo Diesel	DG6 = Transmission-4-Spd. Automatic, 42RLE
			EN0 = 4Cyl Turbo Diesel	DGQ = Transmission-5-Spd Automatic 5-45RFE
			EK0 = All 3.7L	DBB = All Manual Transmissions
			ED0 = All 2.4L	DG0 = All Automatic Transmissions

AR = use ase required - = Non illustrated part

2004 KJ

**Instrument Panel Cluster
Figure 08A-210**

ITEM	PART NUMBER	QTY	LINE	SERIES	BODY	ENGINE	TRANS	TRIM	DESCRIPTION
3		1							GAUGE, Speedometer, Serviced with Cluster Assembly, (NOT SERVICED),
4		1							GAUGE, Tachometer, Serviced with Cluster Assembly, (NOT SERVICED)
5		1							GAUGE, Temperature And Oil, Serviced with Cluster Assembly, (NOT SERVICED)
6		1							GAUGE, Fuel And Volt, Serviced with Cluster Assembly, (NOT SERVICED)
7		1							BOARD, Circuit, Serviced with Cluster Assembly, (NOT SERVICED)
-8									BULB AND SOCKET
	04827989AA	9				ED0, EKO			
		9				ENO			
-9		9							KNOB, Odometer Reset, Serviced with Cluster Assembly, (NOT SERVICED)
-10		9							SCREW, Tapping, M4.2X1.70X15.00, (NOT SERVICED)



LIBERTY (KJ)

SERIES LINE
P = Limited J = LHD (4WD)
H = Sport U = RHD (4WD)
M = Renegade T = LHD (2WD)

BODY
74 = 4 Door (104.3 WB)

ENGINE
ED1 = Engine - 2.4L 4 Cyl DOHC 16v SMPI
EKG = Engine - 3.7L V6
ENJ = Engine -2.5L 4 Cyl 16V Turbo Diesel
ENR = Engine - 2.8L 4 Cyl Turbo Diesel
ENO = 4Cyl Turbo Diesel
EKO = All 3.7L
ED0 = All 2.4L

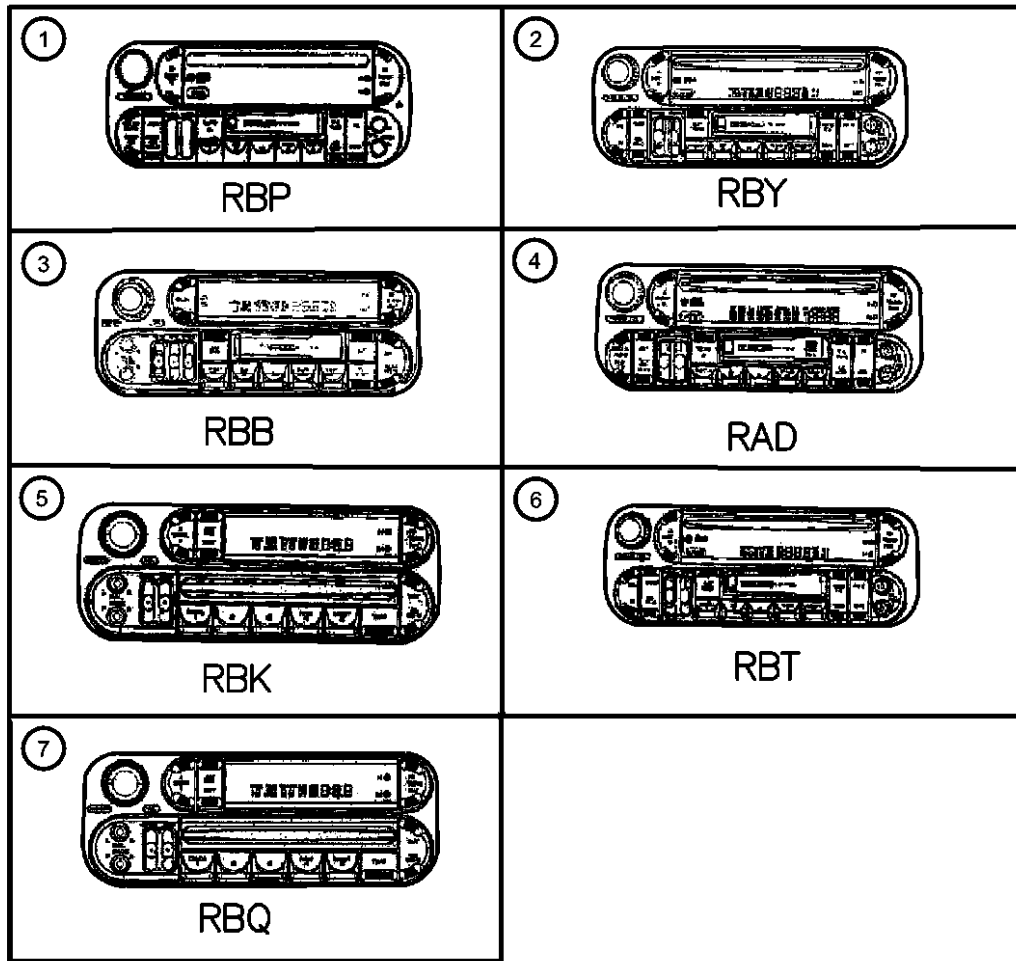
TRANSMISSION
DDD = Transmission - 5-Speed HD Manual
DDK = Transmission - 5-Speed HD Manual
DG4 = Transmission-Multi-Speed Auto, 45RFE
DG6 = Transmission-4-Spd. Automatic, 42RLE
DGQ = Transmission-5-Spd Automatic 5-45RFE
DBB = All Manual Transmissions
DG0 = All Automatic Transmissions

AR = use ase required - = Non illustrated part

2004 KJ

Radios
Figure 08A-310

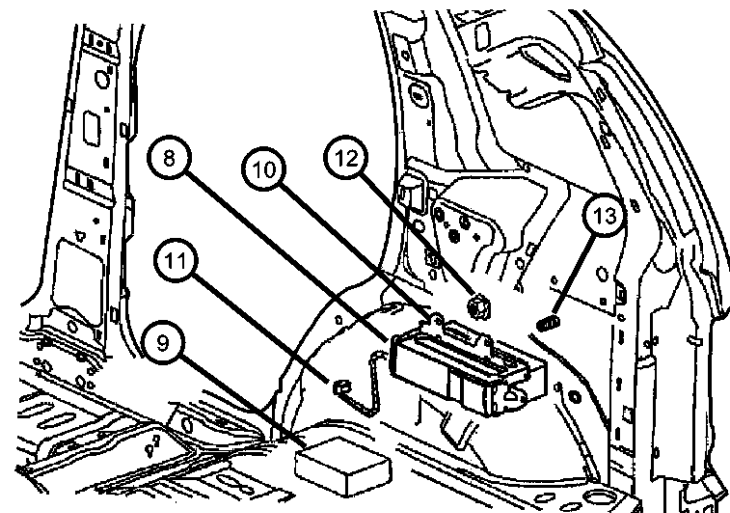
ITEM	PART NUMBER	QTY	LINE	SERIES	BODY	ENGINE	TRANS	TRIM	DESCRIPTION
------	-------------	-----	------	--------	------	--------	-------	------	-------------



Notes:

- [RAD]=AM/FM w/Cassette & CD Changer Control (Europe)
- [RBB]=AM/FM w/Cassette & CD Changer
- [RBK]=AM/FM w/CD Changer Control
- [RBP]=AM/FM w/Cassette & CD Changer Control
- [RPQ]=AM/FM w/CD 6-Disc Changer
- [RBT]=AM/FM/MW/RDS Cassette & CD Changer Control (Japan)
- [RBY]=AM/FM w/Cassette & CD Changer Control
- [RCJ]=6 Speaker System (Infinity)
- [REM] CD Changer 6-Disc Remote
- [RSP]= Uconnect Hand Free Communication

1									RADIO, AM/FM/Cassette With CD
	05091606AA	1							[RBP]
	05091650AB	1							[REH]
2	05091609AC	1							RADIO, AM/FM/Cassette With CD,
									[RBY]
3	05091555AD	1							RADIO, AM/FM/Cassette With CD,
									[RBB]
4	05091601AD	1							RADIO, AM/FM/Cassette With CD,
									[RAD]
5	05091556AD	1							RADIO, AM/FM with CD and
									Equalizer, [RBK]
6	05091608AA	1							RADIO, AM/FM/Cassette With CD,
									[RBT]
7	05091979AA	1							RADIO, AM/FM with CD and
									Equalizer, [RBQ]
8	Z6038616AA	1							CHANGER, CD, [REM] 6-Disc
9	04797433	1							MAGAZINE, CD Changer, [REM]
10	56038605AA	1							BRACKET, CD Changer, [REM]
11									CABLE, CD Changer
	56038596AF	1			J, T				[REM]
	56038598AG	1			U				[REM]
12	06100047	4							NUT AND WASHER, Hex
									Nut-Coned Washer, M6 x 1.00,
									[REM]
13	06503846	4							STUD, Single Ended, Knurled, Pilot
									Point, M6x1.00x20.00, [REM]
-14									CHOKE, Speaker



LIBERTY (KJ)

SERIES

- P = Limited
- H = Sport
- M = Renegade

LINE

- J = LHD (4WD)
- U = RHD (4WD)
- T = LHD (2WD)

BODY

- 74 = 4 Door (104.3 WB)

ENGINE

- ED1 = Engine - 2.4L 4 Cyl
- DOHC 16v SMPI
- EKG = Engine - 3.7L V6
- ENJ = Engine -2.5L 4 Cyl 16v
- Turbo Diesel
- ENR = Engine - 2.8L 4 Cyl
- Turbo Diesel
- ENO = 4Cyl Turbo Diesel
- EKO = All 3.7L
- EDO = All 2.4L

TRANSMISSION

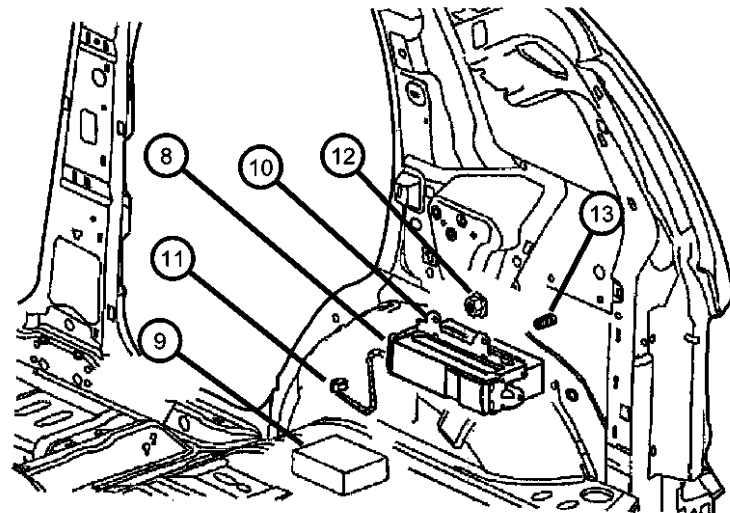
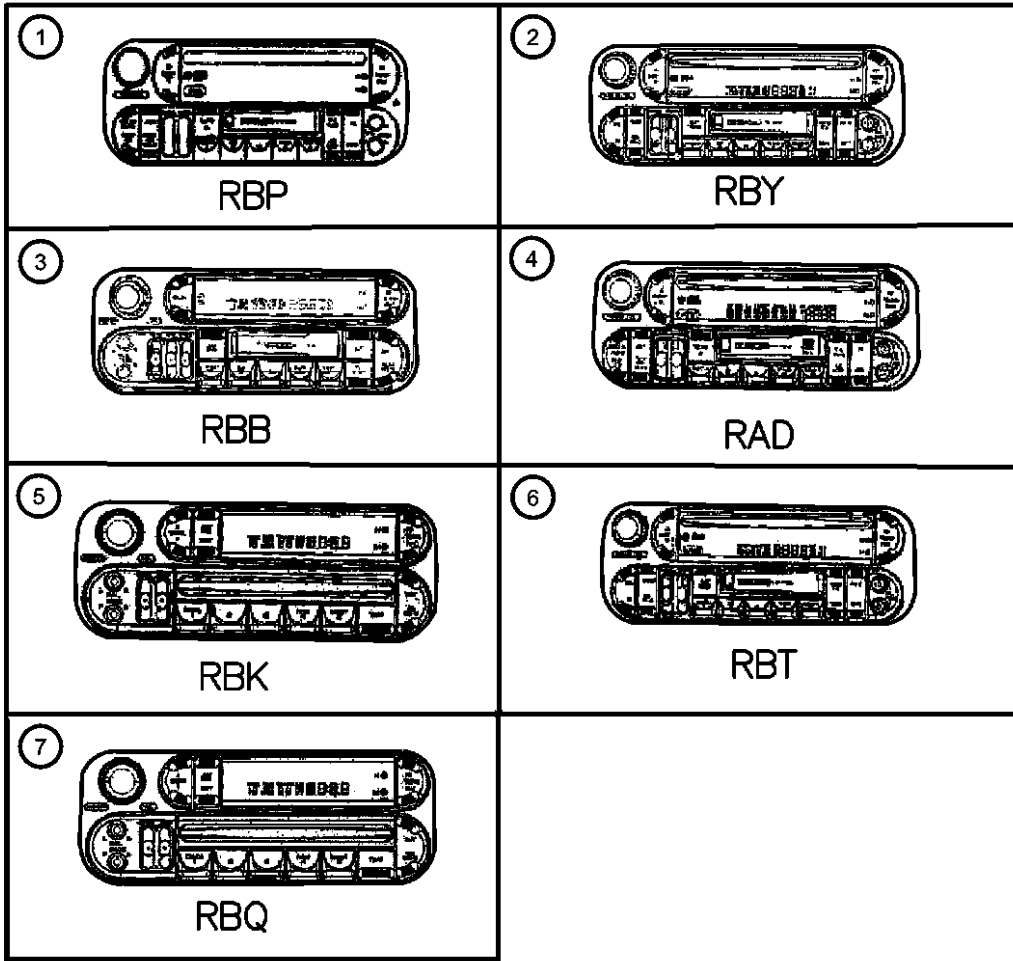
- DDD = Transmission - 5-Speed HD
- Manual
- DDK = Transmission - 5-Speed HD
- Manual
- DG4 = Transmission-Multi-Speed
- Auto, 45RFE
- DG6 = Transmission-4-Spd.
- Automatic, 42RLE
- DGQ = Transmission-5-Spd Automatic
- 5-45RFE
- DBB = All Manual Transmissions
- DG0 = All Automatic Transmissions

AR = use ase required - = Non illustrated part

2004 KJ

Radios
Figure 08A-310

ITEM	PART NUMBER	QTY	LINE	SERIES	BODY	ENGINE	TRANS	TRIM	DESCRIPTION
	56038654AA	1	J, T						[RCJ]
	56038655AA	1	U						[RCJ]
-15	56038596AG	1	J, T						CABLE, CD Changer
	56038598AG	1	U						[REM]
-16	56010551AB	1							CABLE, Telematics Communication, [RSP]
-17	56038750AA	1							STRAP, Ground



LIBERTY (KJ)

SERIES

P = Limited
H = Sport
M = Renegade

LINE

J = LHD (4WD)
U = RHD (4WD)
T = LHD (2WD)

BODY

74 = 4 Door (104.3 WB)

ENGINE

ED1 = Engine - 2.4L 4 Cyl
DOHC 16v SMPI
EKG = Engine - 3.7L V6
ENJ = Engine -2.5L 4 Cyl 16V
Turbo Diesel
ENR = Engine - 2.8L 4 Cyl
Turbo Diesel
ENO = 4Cyl Turbo Diesel
EKO = All 3.7L
EDO = All 2.4L

TRANSMISSION

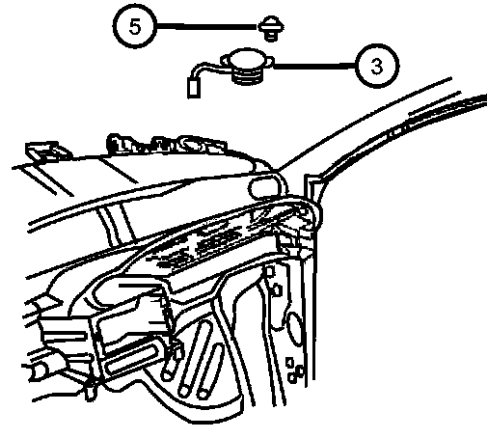
DDD = Transmission - 5-Speed HD
Manual
DDK = Transmission - 5-Speed HD
Manual
DG4 = Transmission-Multi-Speed
Auto, 45RFE
DG6 = Transmission-4-Spd.
Automatic, 42RLE
DGQ = Transmission-5-Spd Automatic
5-45RFE
DBB = All Manual Transmissions
DG0 = All Automatic Transmissions

AR = use ase required - = Non illustrated part

2004 KJ

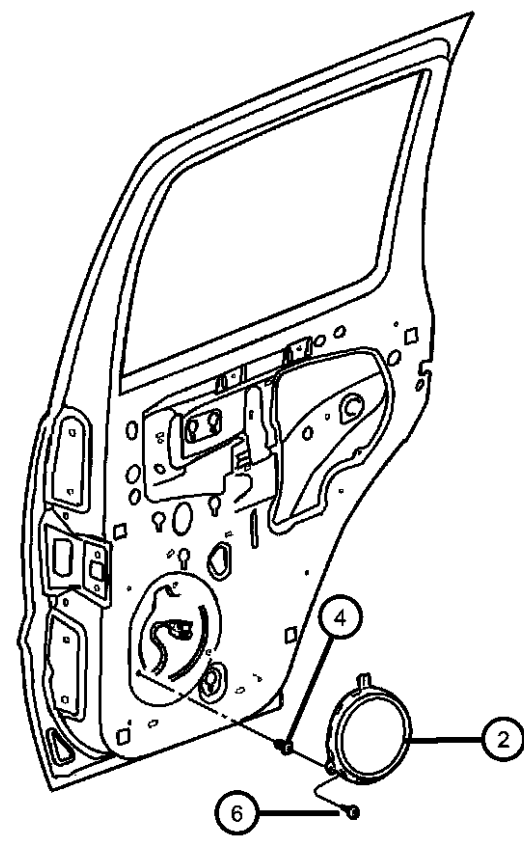
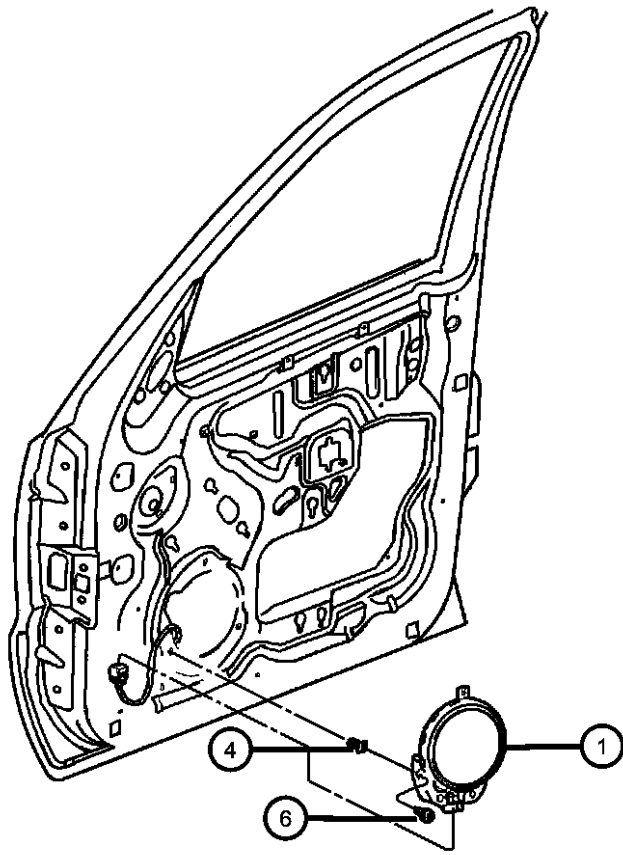
Speakers Figure 08A-320

ITEM	PART NUMBER	QTY	LINE	SERIES	BODY	ENGINE	TRANS	TRIM	DESCRIPTION
------	-------------	-----	------	--------	------	--------	-------	------	-------------



Notes:
[RCG]=Standard Sound System
[RCJ]=Premium Sound System

1									SPEAKER, 6.5"
	05082451AC	2							[RCG] Standard, Front Door
	56038593AG	2							[RCJ] Premium (Amplifier Serviced with Speaker Assembly Only), Front Door
2									SPEAKER, 6.5"
	05082451AC	2							[RCG] Standard, Rear Door
	56038800AB	2							[RCJ] Premium, Rear Door
3									SPEAKER, Tweeter
	56010666AB	2							[RCG] Standard, Instrument Panel
	56038815AB	2							[RCJ] Premium, Instrument Panel
4	06507009AA	6							NUT, Plastic Snap-in, Door Speaker Mounting
5	06507009AA	6							SCREW, M4.2X1.70X15.00 (Door Speaker Mounting), (NOT SERVICED)
6	06507009AA	6							SCREW, 0.164-18X.750 (I/Panel Speaker Mounting), (NOT SERVICED)



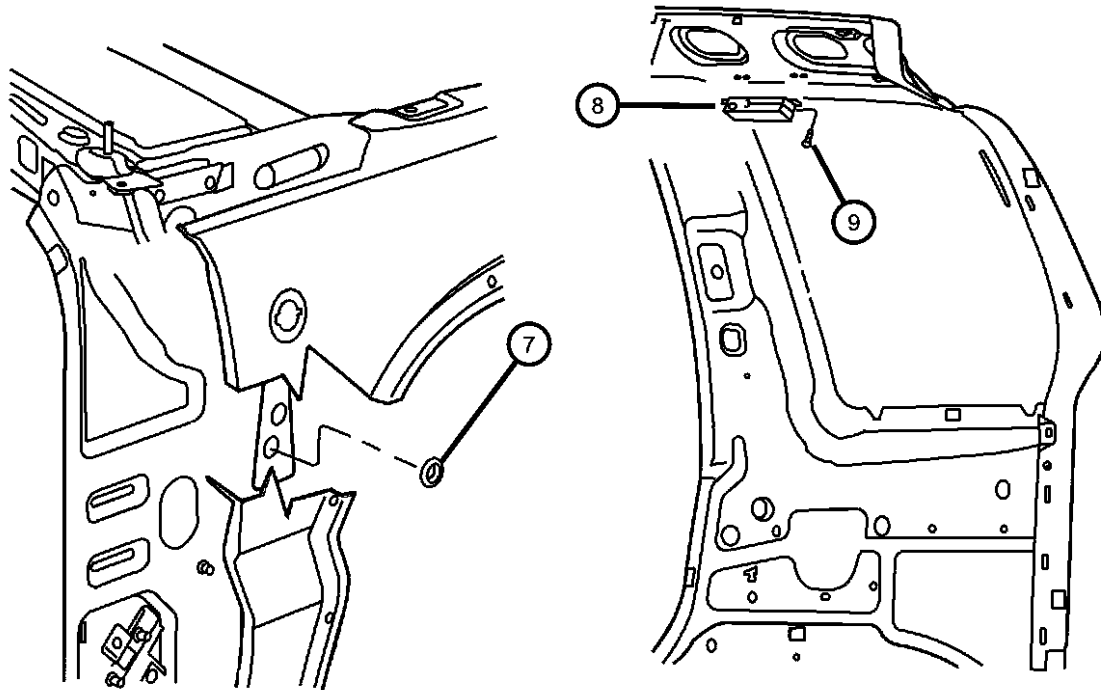
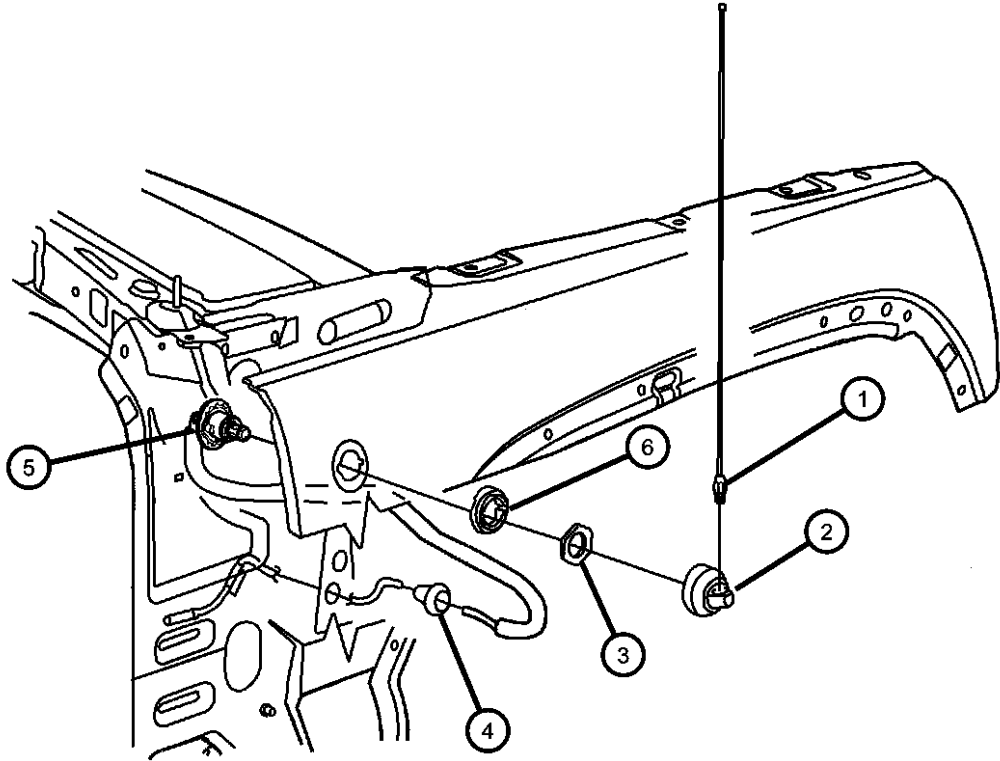
LIBERTY (KJ) SERIES P = Limited H = Sport M = Renegade	LINE J = LHD (4WD) U = RHD (4WD) T = LHD (2WD)	BODY 74 = 4 Door (104.3 WB)	ENGINE ED1 = Engine - 2.4L 4 Cyl DOHC 16v SMPI EKG = Engine - 3.7L V6 ENJ = Engine -2.5L 4 Cyl 16V Turbo Diesel ENR = Engine - 2.8L 4 Cyl Turbo Diesel EN0 = 4Cyl Turbo Diesel EK0 = All 3.7L ED0 = All 2.4L	TRANSMISSION DDD = Transmission - 5-Speed HD Manual DDK = Transmission - 5-Speed HD Manual DG4 = Transmission-Multi-Speed Auto, 45RFE DG6 = Transmission-4-Spd. Automatic, 42RLE DGQ = Transmission-5-Spd Automatic 5-45RFE DBB = All Manual Transmissions DG0 = All Automatic Transmissions
---	---	--------------------------------	---	---

AR = use ase required - = Non illustrated part

2004 KJ

**Antenna
Figure 08A-330**

ITEM	PART NUMBER	QTY	LINE	SERIES	BODY	ENGINE	TRANS	TRIM	DESCRIPTION
1	56038545AE	1							MAST, Antenna, Spiral Ground with 5/16" Thread (Bright)
2	56038523AA	1							COVER, Antenna Opening
3	56038581AA	1							NUT
4	56038581AA	1							GROMMET, Serviced with Cable Base Assembly with Lead, (NOT SERVICED)
5	56038526AE	1							ANTENNA, Cable Base Assembly with Lead
6	56038580AB	1							ADAPTER, Antenna, Bezel
7	04780615AB	2							PLUG, Body, .75 Diameter
8	56038527AD	1							ANTENNA, Antenna Module Radio
9	56038527AD	1							SCREW, (NOT SERVICED)
-10									CABLE, Antenna
	56038559AF	1							Radio to Cowl
	56038575AG	1							Antenna Module to Cowl
	56038576AG	1							Radio to Cowl (RHD)
-11	05066205AC	1							ANTENNA, Satellite



LIBERTY (KJ)

SERIES	LINE
P = Limited	J = LHD (4WD)
H = Sport	U = RHD (4WD)
M = Renegade	T = LHD (2WD)

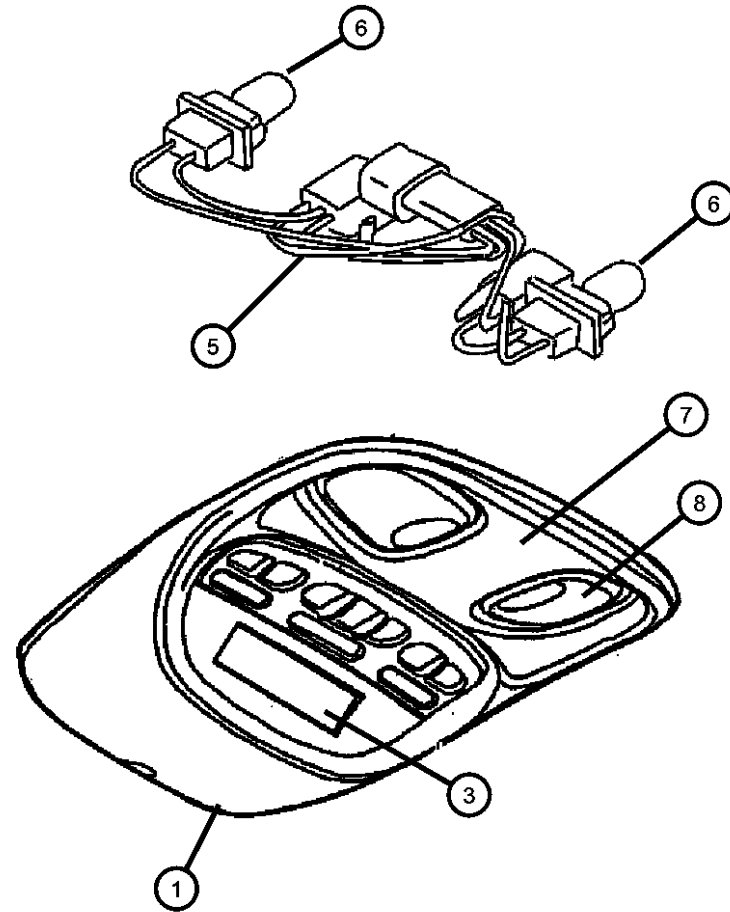
BODY
74 = 4 Door (104.3 WB)

ENGINE
ED1 = Engine - 2.4L 4 Cyl DOHC 16v SMPI
EKG = Engine - 3.7L V6
ENJ = Engine -2.5L 4 Cyl 16V Turbo Diesel
ENR = Engine - 2.8L 4 Cyl Turbo Diesel
ENO = 4Cyl Turbo Diesel
EK0 = All 3.7L
ED0 = All 2.4L

TRANSMISSION
DDD = Transmission - 5-Speed HD Manual
DDK = Transmission - 5-Speed HD Manual
DG4 = Transmission-Multi-Speed Auto, 45RFE
DG6 = Transmission-4-Spd. Automatic, 42RLE
DGQ = Transmission-5-Spd Automatic 5-45RFE
DBB = All Manual Transmissions
DG0 = All Automatic Transmissions

AR = use ase required - = Non illustrated part

Console, Overhead
Figure 08A-410



ITEM	PART NUMBER	QTY	LINE	SERIES	BODY	ENGINE	TRANS	TRIM	DESCRIPTION
1									CONSOLE, Overhead Mini, Less Electronics
	05014271AA	1	J, T						Without Sunroof
		1	J, U						Without Sunroof
	0WA951L2AA	1	J, U						With Sunroof
	1AR331L2AA	1							With Sunroof
-2									RETAINER, Overhead Console
	05072348AA	1	J, U						
		1	J, T						
3									MODULE, Overhead Console Export
	56010437AA	1							
	56010438AD	1	J, T						
-4									MODULE, Intrusion
	5GV82TL2AG	1							
		1	J, U						
5									WIRING, Overhead Console
	04760644	1	J, T						[AHM+GWA+CUD=CGS]
		1	J, U						[CUD+GWA+LSC+CGS]
6									BULB, 192
	L0000192	2	J, U						
		2	J, T						
7									LAMP, Reading
	0PB83TL2AB	1	J, U						Without Sunroof
		1	J, T						Without Sunroof
	0WA901L2AA	1	J, T						With Sunroof
		1	J, U						With Sunroof
8									LENS, Cargo Lamp
	55196755AA	1	J, T						
		1	J, U						
-9									BULB, 212-2
	L0021202	1	J, T						

LIBERTY (KJ)

SERIES LINE
P = Limited J = LHD (4WD)
H = Sport U = RHD (4WD)
M = Renegade T = LHD (2WD)

BODY
74 = 4 Door (104.3 WB)

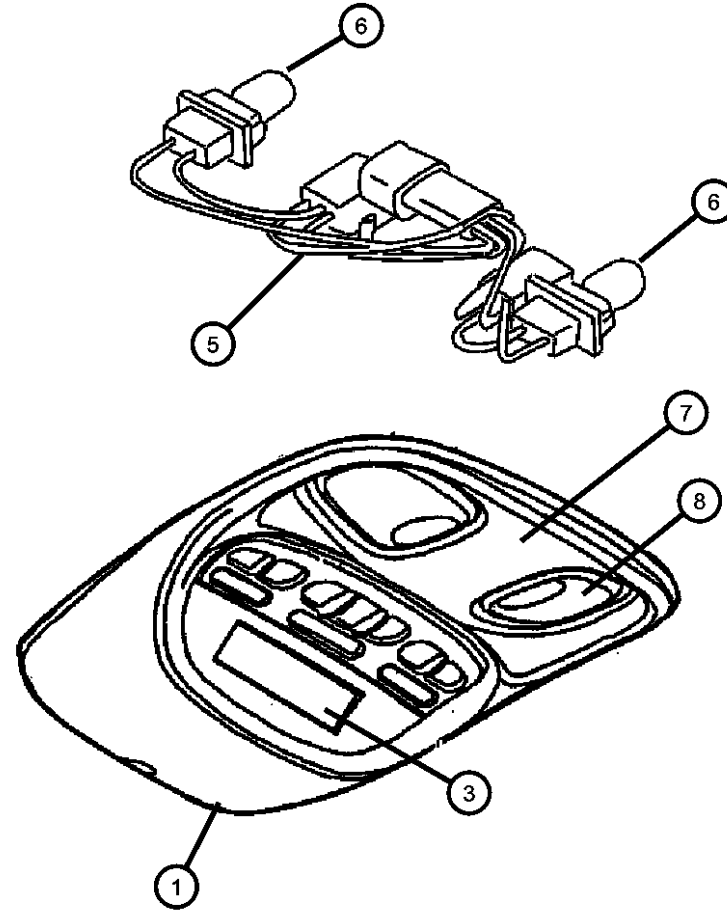
ENGINE
ED1 = Engine - 2.4L 4 Cyl DOHC 16v SMPI
EKG = Engine - 3.7L V6
ENJ = Engine -2.5L 4 Cyl 16v Turbo Diesel
ENR = Engine - 2.8L 4 Cyl Turbo Diesel
ENO = 4Cyl Turbo Diesel
EKO = All 3.7L
EDO = All 2.4L

TRANSMISSION
DDD = Transmission - 5-Speed HD Manual
DDK = Transmission - 5-Speed HD Manual
DG4 = Transmission-Multi-Speed Auto, 45RFE
DG6 = Transmission-4-Spd. Automatic, 42RLE
DGQ = Transmission-5-Spd Automatic 5-45RFE
DBB = All Manual Transmissions
DG0 = All Automatic Transmissions

AR = use ase required - = Non illustrated part

2004 KJ

Console, Overhead
Figure 08A-410



ITEM	PART NUMBER	QTY	LINE	SERIES	BODY	ENGINE	TRANS	TRIM	DESCRIPTION
-10		1	J, U						SWITCH, Reading Lamp
	04685445	1	J, T						
-11		1	J, U						SWITCH, Sunroof
	5GM78TL2AA	1	J, T						
-12		1							RETAINER, Electronic Module
	56010331AB	1	J, U						
-13		1							LAMP, Message Center
	04437661	1	J, U						
-14	0JV76TL2	1	J, T						LAMP, Dome, Beige
-15	05012882AA	1							LENS, Message Center

LIBERTY (KJ)

SERIES LINE
P = Limited J = LHD (4WD)
H = Sport U = RHD (4WD)
M = Renegade T = LHD (2WD)

BODY
74 = 4 Door (104.3 WB)

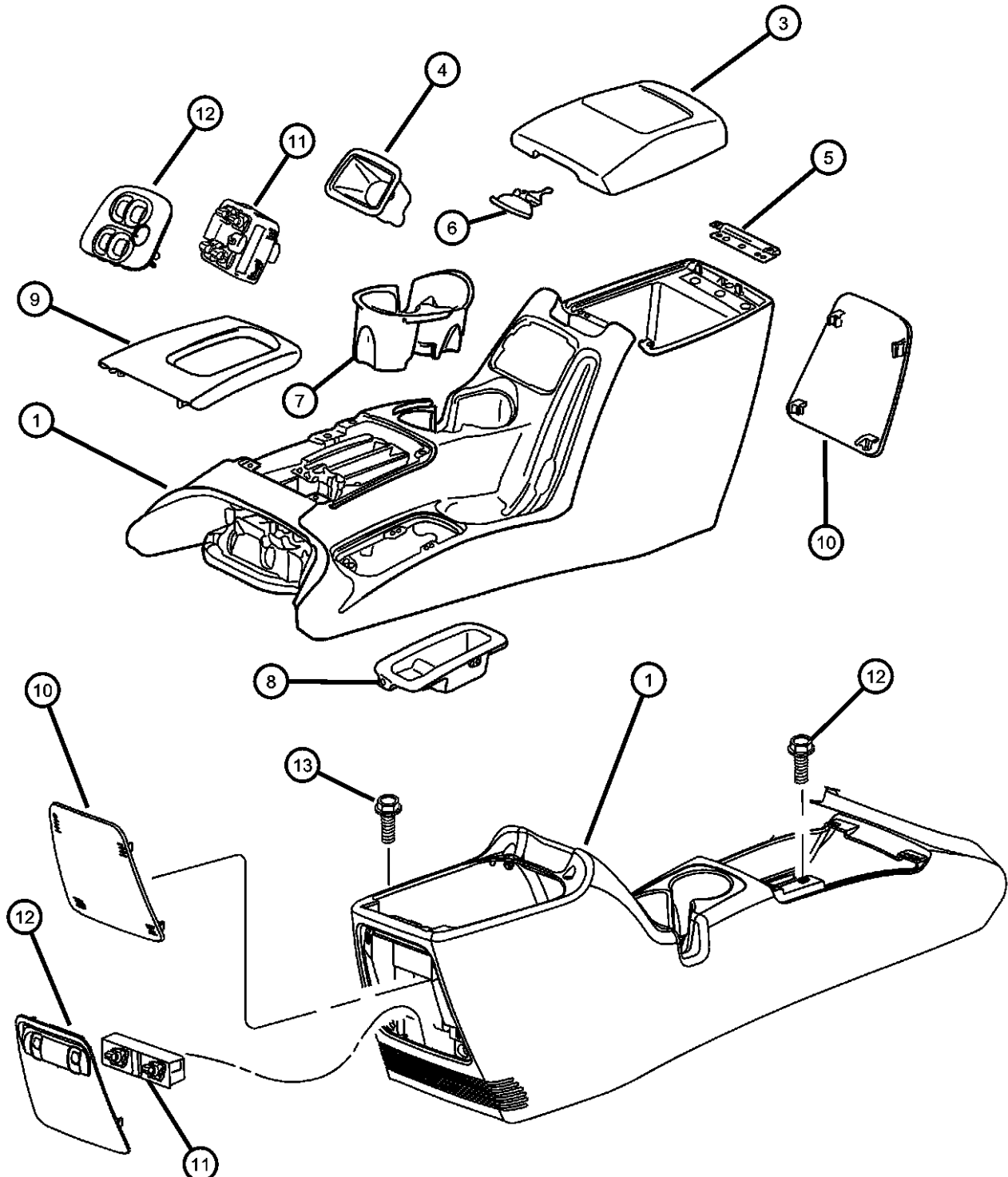
ENGINE
ED1 = Engine - 2.4L 4 Cyl DOHC 16v SMPI
EKG = Engine - 3.7L V6
ENJ = Engine -2.5L 4 Cyl 16V Turbo Diesel
ENR = Engine - 2.8L 4 Cyl Turbo Diesel
ENO = 4Cyl Turbo Diesel
EK0 = All 3.7L
ED0 = All 2.4L

TRANSMISSION
DDD = Transmission - 5-Speed HD Manual
DDK = Transmission - 5-Speed HD Manual
DG4 = Transmission-Multi-Speed Auto, 45RFE
DG6 = Transmission-4-Spd. Automatic, 42RLE
DGQ = Transmission-5-Spd Automatic 5-45RFE
DBB = All Manual Transmissions
DG0 = All Automatic Transmissions

AR = use ase required - = Non illustrated part

2004 KJ

**Console, Floor
Figure 08A-420**



ITEM	PART NUMBER	QTY	LINE	SERIES	BODY	ENGINE	TRANS	TRIM	DESCRIPTION
------	-------------	-----	------	--------	------	--------	-------	------	-------------

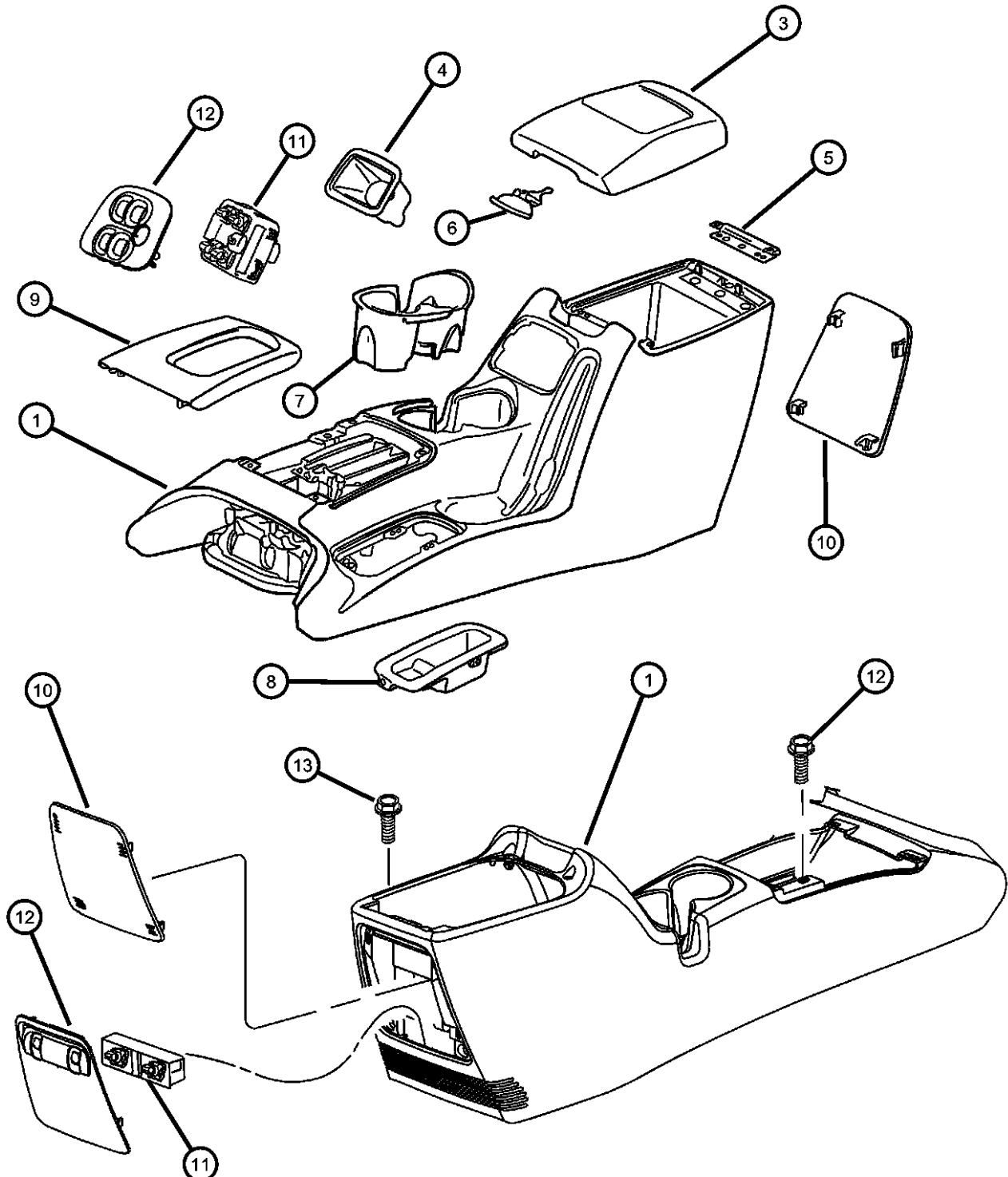
Notes:
[DBB]=All Manual Transmissions
[DG0]=All Automatic Transmissions

1	0WD581DVAC	1					DG0		CONSOLE, Base
		1					DG0		[D2] Serviced with 2 Clips & Heat Staked Rubber Brake Handle Shield
	0WD581L8AC	1					DG0		[DV] Serviced with 2 Clips & Heat Staked Rubber Brake Handle Shield
		1					DG0		[L2] Serviced with 2 Clips & Heat Staked Rubber Brake Handle Shield
	0WD851DVAB	1					DBB		[L5] Serviced with 2 Clips & Heat Staked Rubber Brake Handle Shield
		1					DBB		[D2] Serviced with 2 Clips & Heat Staked Rubber Brake Handle Shield
		1					DBB		[DV] Serviced with 2 Clips & Heat Staked Rubber Brake Handle Shield
	0WD851L8AB	1					DBB		[L2] Serviced with 2 Clips & Heat Staked Rubber Brake Handle Shield
		1					DBB		[L5] Serviced with 2 Clips & Heat Staked Rubber Brake Handle Shield
-2	05072907AB	1					DBB		BRACKET, Floor Console
3	0WD591DVAA	1					DG0		LID, Floor Console Bin
		1					DG0		[D2] Serviced with Hinge & Latch
	0WD591L8AA	1					DG0		[DV] Serviced with Hinge & Latch
		1					DG0		[L2] Serviced with Hinge & Latch
		1					DG0		[L5] Serviced with Hinge & Latch
	0WD591DVAB	1					DBB		[D2] Serviced with Hinge & Latch
		1					DBB		[DV] Serviced with Hinge & Latch
	0WD591L8AB	1					DBB		[L2] Serviced with Hinge & Latch
		1					DBB		[L5] Serviced with Hinge & Latch

LIBERTY (KJ)		BODY	ENGINE	TRANSMISSION
SERIES	LINE	74 = 4 Door (104.3 WB)	ED1 = Engine - 2.4L 4 Cyl DOHC 16v SMPI	DDD = Transmission - 5-Speed HD Manual
P = Limited	J = LHD (4WD)		EKG = Engine - 3.7L V6	DDK = Transmission - 5-Speed HD Manual
H = Sport	U = RHD (4WD)		ENJ = Engine -2.5L 4 Cyl 16v Turbo Diesel	DG4 = Transmission-Multi-Speed Auto, 45RFE
M = Renegade	T = LHD (2WD)		ENR = Engine - 2.8L 4 Cyl Turbo Diesel	DG6 = Transmission-4-Spd. Automatic, 42RLE
			ENO = 4Cyl Turbo Diesel	DGQ = Transmission-5-Spd Automatic 5-45RFE
			EKO = All 3.7L	DBB = All Manual Transmissions
			EDO = All 2.4L	DG0 = All Automatic Transmissions

AR = use ase required - = Non illustrated part

Console, Floor
Figure 08A-420

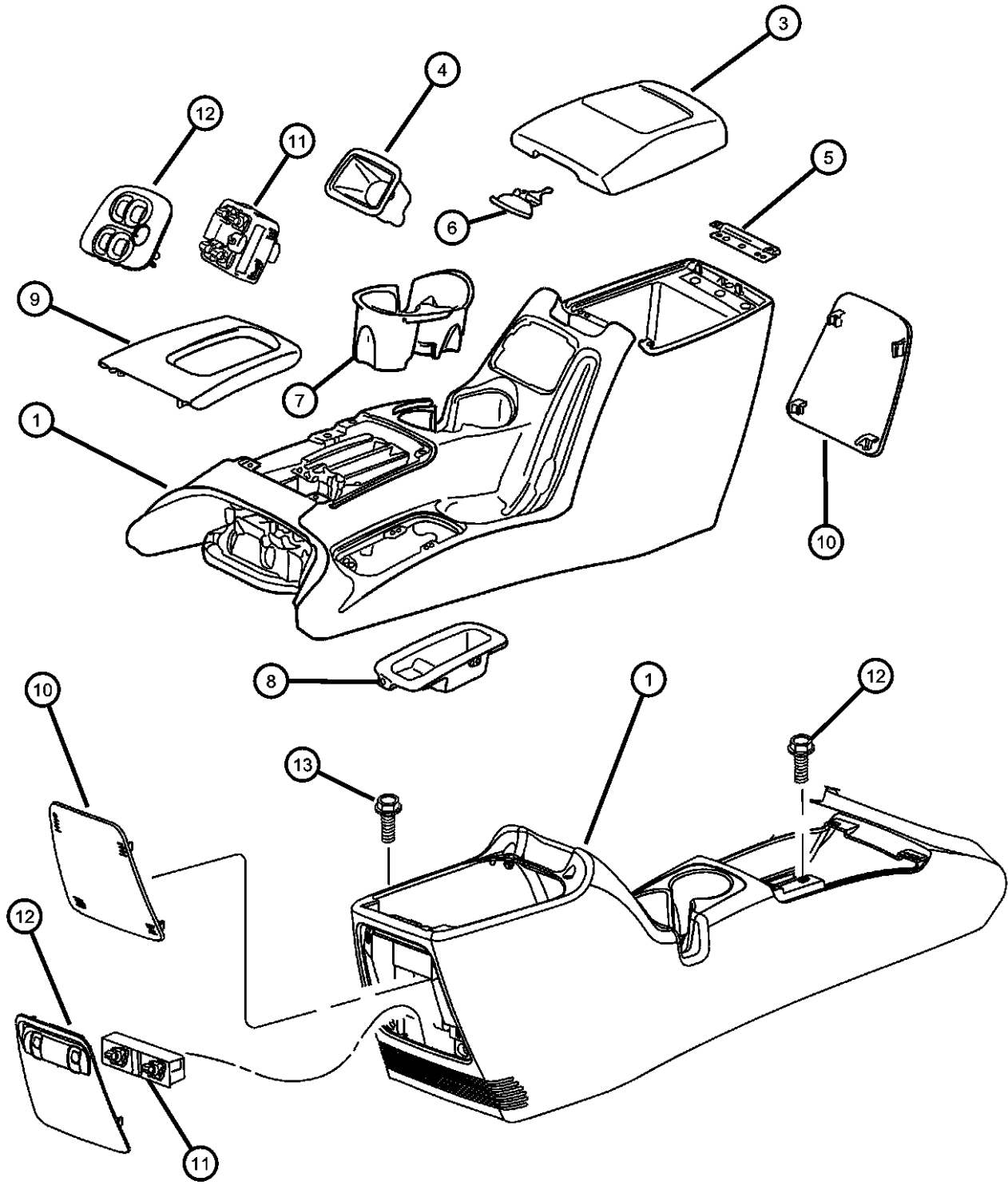


ITEM	PART NUMBER	QTY	LINE	SERIES	BODY	ENGINE	TRANS	TRIM	DESCRIPTION
4	05072904AB	1					DBB		BIN, Floor Console Serviced with 2 Bumpers & 5 Screws
	5GP34WL8AC	1					DG0		Serviced with 2 Bumpers & 5 Screws [L5] Without Power Window Switch, Front
	5GP34XD-VAC	1							[DV] Without Power Window Switch, Front
5	05072906AA	1					DBB		HINGE, Floor Console Lid
		1					DG0		
6	05072905AA	1					DBB		LATCH, Console Lock
		1					DG0		
7	05072903AA	1					DBB		CUPHOLDER, Floor Console
		1					DG0		
8	5GG16DX9AC	1	T						COVER, Floor Console, Two Wheel Drive Vehicle Only
9	5GP21DX9AE	1					DG0		BEZEL, Gear Selector [AYG,ALS] Columbia Edition Group, Special Edition
	5HK42SZ5AD	1		M, P			DG0		[JA2]
10	5GP35WL8AC	1							COVER, Switch Opening [L5] Without Power Window Switch
	5GP35XD-VAC	1							[DV] Without Power Window Switch
11	56010091AB	1							SWITCH, Power Window 2 Gang, Rear
	56010677AA	1							Front of Console 4 Gang, Front
12	0WA64WL8AB	1							BEZEL, Power Window Switch [L2], Rear

LIBERTY (KJ)					
SERIES	LINE	BODY	ENGINE	TRANSMISSION	
P = Limited	J = LHD (4WD)	74 = 4 Door (104.3 WB)	ED1 = Engine - 2.4L 4 Cyl DOHC 16v SMPI	DDD = Transmission - 5-Speed HD Manual	
H = Sport	U = RHD (4WD)		EKG = Engine - 3.7L V6	DDK = Transmission - 5-Speed HD Manual	
M = Renegade	T = LHD (2WD)		ENJ = Engine -2.5L 4 Cyl 16v Turbo Diesel	DG4 = Transmission-Multi-Speed Auto, 45RFE	
			ENR = Engine - 2.8L 4 Cyl Turbo Diesel	DG6 = Transmission-4-Spd. Automatic, 42RLE	
			ENO = 4Cyl Turbo Diesel	DGQ = Transmission-5-Spd Automatic 5-45RFE	
			EKO = All 3.7L	DBB = All Manual Transmissions	
			EDO = All 2.4L	DG0 = All Automatic Transmissions	

AR = use ase required - = Non illustrated part

Console, Floor
Figure 08A-420



ITEM	PART NUMBER	QTY	LINE	SERIES	BODY	ENGINE	TRANS	TRIM	DESCRIPTION
		1							[L5], Rear
	0WA64XDVAB	1							[D2], Rear
		1							[DV], Rear
	5JQ92WL8AA	1							[L2], Front
		1							[L5], Front
	5JQ92XDVAA	1							[D2], Front
		1							[DV], Front
13		1							SCREW, Hex Flange Head, M4.2x1.70x16.00, (NOT SERVICED),
-14	04595823AB	1							SMOKERS KIT, Ash Receiver With Lighter
-15	04595665AB	1							ASH RECEIVER, Floor Console
-16	04685536	1							KNOB AND ELEMENT, Cigar Lighter
-17	06101945	4							SCREW Console To Floor

LIBERTY (KJ)				
SERIES	LINE	BODY	ENGINE	TRANSMISSION
P = Limited	J = LHD (4WD)	74 = 4 Door (104.3 WB)	ED1 = Engine - 2.4L 4 Cyl DOHC 16v SMPI	DDD = Transmission - 5-Speed HD Manual
H = Sport	U = RHD (4WD)		EKG = Engine - 3.7L V6 Turbo Diesel	DDK = Transmission - 5-Speed HD Manual
M = Renegade	T = LHD (2WD)		ENJ = Engine -2.5L 4 Cyl 16V Turbo Diesel	DG4 = Transmission-Multi-Speed Auto, 45RFE
			ENR = Engine - 2.8L 4 Cyl Turbo Diesel	DG6 = Transmission-4-Spd. Automatic, 42RLE
			ENO = 4Cyl Turbo Diesel	DGQ = Transmission-5-Spd Automatic 5-45RFE
			EK0 = All 3.7L	DBB = All Manual Transmissions
			ED0 = All 2.4L	DG0 = All Automatic Transmissions

AR = use ase required - = Non illustrated part

Group - 9

Engine Mounting

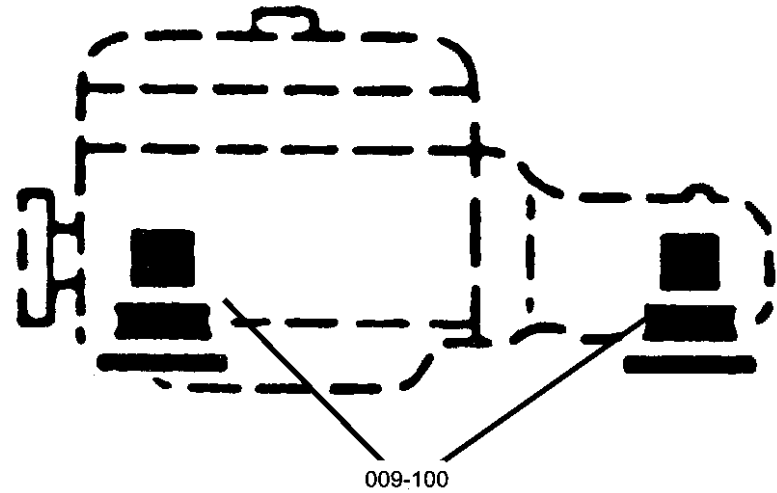
Group - 9 Engine Mounting

Group-Fig. No.

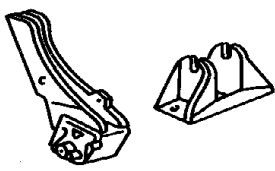
Illustration Title

Engine Mounting

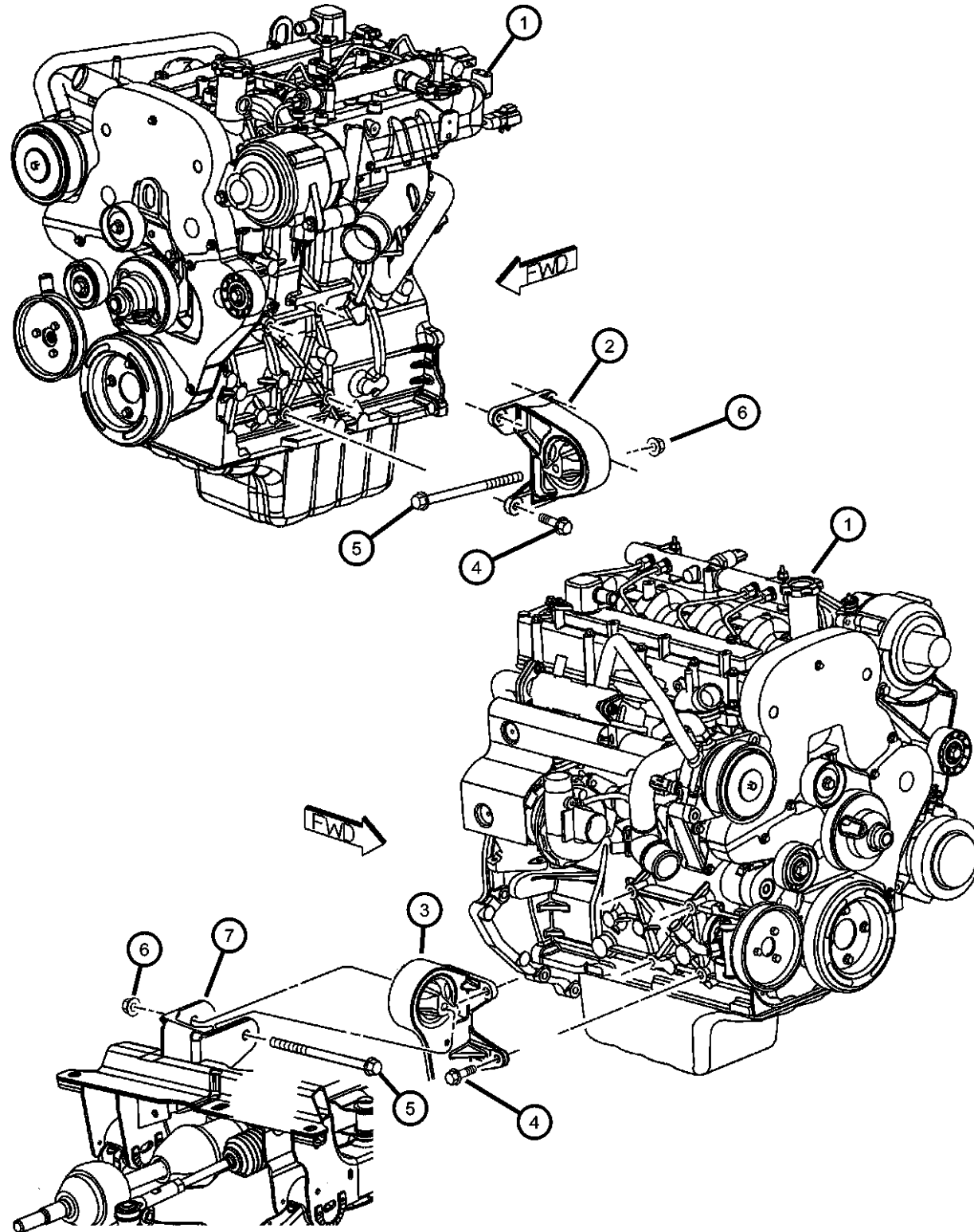
Front, Engine Mounting	Fig. 9 - 110
Front, Engine Mounting	Fig. 9 - 115
Front, Engine Mounting	Fig. 9 - 120
Front, Engine Mounting	Fig. 9 - 125
Rear, Transmission Mounting	Fig. 9 - 130
Rear, Transmission Mounting	Fig. 9 - 135
Rear, Transmission Mounting	Fig. 9 - 140
Rear, Transmission Mounting	Fig. 9 - 145
Rear, Transmission Mounting	Fig. 9 - 150
Rear, Transmission Mounting	Fig. 9 - 155
Rear, Transmission Mounting	Fig. 9 - 160
Rear, Transmission Mounting	Fig. 9 - 165



009-100

<p>009-100 Engine Mounting</p> 			
--	--	--	--

**Front, Engine Mounting
Figure 9-110**



ITEM	PART NUMBER	QTY	LINE	SERIES	BODY	ENGINE	TRANS	TRIM	DESCRIPTION
------	-------------	-----	------	--------	------	--------	-------	------	-------------

Note:
Sales Code
[EK0]= All 3.7L 6 Cylinder Engines
[EN0]= All 4/5 Cylinder Turbo Diesel Engines

1	06101945	4							ENGINE, Complete, Diesel. See Engine Group, (NOT SERVICED)
2	52059201AE	1				EN0			INSULATOR, Engine MountLeft
3	52059200AD	1				EN0			INSULATOR, Engine MountRight
4	06503699	8				EK0, EN0			SCREW AND WASHER, Hex Head, M10x1.5x28
5	34202606	1							BOLT, Hex Head
6	06502697	2							NUT, Hex Flange Lock, M12x1.75
7	06502697	2							BRACKET, Serviced With Cradle Assembly, (NOT SERVICED)

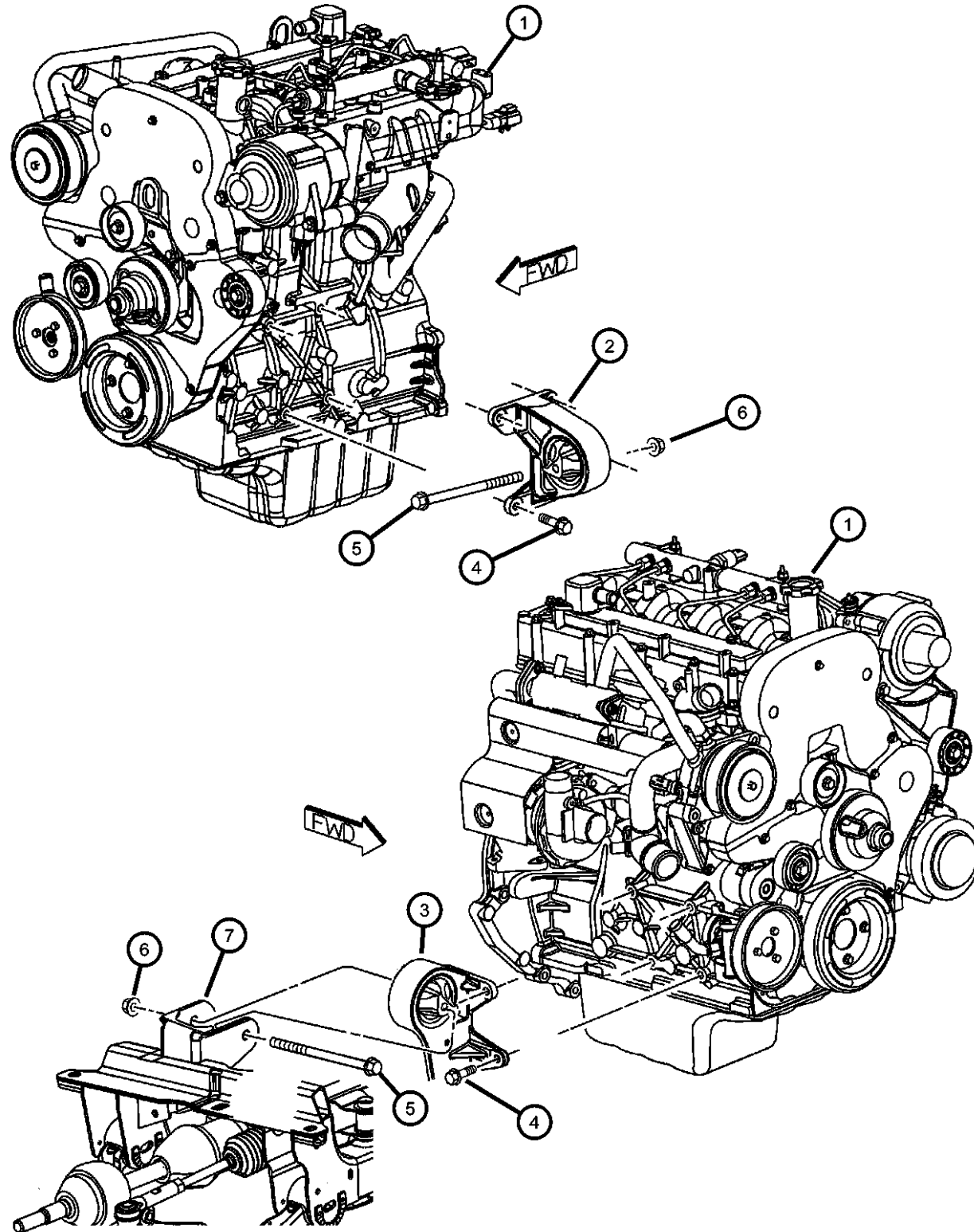
LIBERTY (KJ)

SERIES	LINE	BODY	ENGINE	TRANSMISSION
P = Limited	J = LHD (4WD)	74 = 4 Door (104.3 WB)	ED1 = Engine - 2.4L 4 Cyl DOHC 16v SMPI	DDD = Transmission - 5-Speed HD Manual
H = Sport	U = RHD (4WD)		EKG = Engine - 3.7L V6	DDK = Transmission - 5-Speed HD Manual
M = Renegade	T = LHD (2WD)		ENJ = Engine -2.5L 4 Cyl 16V Turbo Diesel	DG4 = Transmission-Multi-Speed Auto, 45RFE
			ENR = Engine - 2.8L 4 Cyl Turbo Diesel	DG6 = Transmission-4-Spd. Automatic, 42RLE
			EN0 = 4Cyl Turbo Diesel	DGQ = Transmission-5-Spd Automatic 5-45RFE
			EK0 = All 3.7L	DBB = All Manual Transmissions
			ED0 = All 2.4L	DG0 = All Automatic Transmissions

AR = use ase required - = Non illustrated part

2004 KJ

**Front, Engine Mounting
Figure 9-115**



ITEM	PART NUMBER	QTY	LINE	SERIES	BODY	ENGINE	TRANS	TRIM	DESCRIPTION
------	-------------	-----	------	--------	------	--------	-------	------	-------------

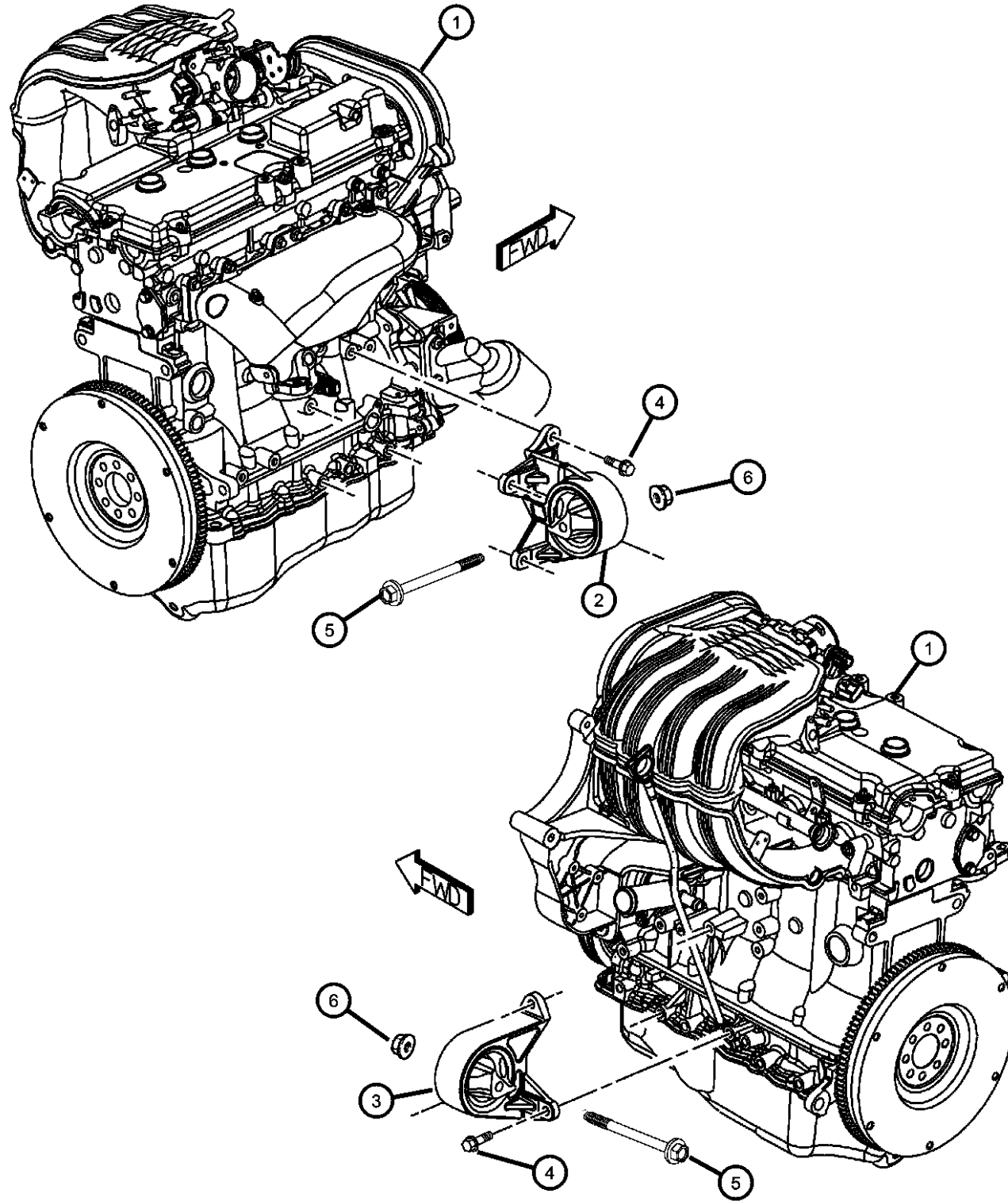
Note:
Sales Code
[EK0]= All 3.7L 6 Cylinder Engines
[EN0]= All 4/5 Cylinder Turbo Diesel Engines

1	06502697	2							ENGINE, Complete, Diesel. See Engine Group, (NOT SERVICED)
2	52059201AE	1				EN0			INSULATOR, Engine MountLeft
3	52059200AD	1				EN0			INSULATOR, Engine MountRight
4	06503699	8				EK0, EN0			SCREW AND WASHER, Hex Head, M10x1.5x28
5	34202606	1							BOLT, Hex Head
6	06502697	2							NUT, Hex Flange Lock, M12x1.75
7	06502697	2							BRACKET, Serviced With Cradle Assembly, (NOT SERVICED)

LIBERTY (KJ) SERIES	LINE	BODY	ENGINE	TRANSMISSION
P = Limited	J = LHD (4WD)	74 = 4 Door (104.3 WB)	ED1 = Engine - 2.4L 4 Cyl DOHC 16v SMPI	DDD = Transmission - 5-Speed HD Manual
H = Sport	U = RHD (4WD)		EKG = Engine - 3.7L V6	DDK = Transmission - 5-Speed HD Manual
M = Renegade	T = LHD (2WD)		ENJ = Engine -2.5L 4 Cyl 16V Turbo Diesel	DG4 = Transmission-Multi-Speed Auto, 45RFE
			ENR = Engine - 2.8L 4 Cyl Turbo Diesel	DG6 = Transmission-4-Spd. Automatic, 42RLE
			EN0 = 4Cyl Turbo Diesel	DGQ = Transmission-5-Spd Automatic 5-45RFE
			EK0 = All 3.7L	DBB = All Manual Transmissions
			ED0 = All 2.4L	DG0 = All Automatic Transmissions

AR = use ase required - = Non illustrated part

**Front, Engine Mounting
Figure 9-120**



ITEM	PART NUMBER	QTY	LINE	SERIES	BODY	ENGINE	TRANS	TRIM	DESCRIPTION
------	-------------	-----	------	--------	------	--------	-------	------	-------------

Note:
Sales Codes
[ED0]= All 2.2L,2.5L,2.4L,4 Cylinder Gas Engines

1	06502697	2							ENGINE, Complete, See Engine Group, (NOT SERVICED)
2	52059252AC	1				ED0			INSULATOR, Engine MountRight
3	52059253AC	1				ED0			INSULATOR, Engine MountLeft
4	06503699	1							SCREW AND WASHER, Hex Head, M10x1.5x28
5	06507388AA	2							BOLT, Hex Head
6	06502697	2							NUT, Hex Flange Lock, M12x1.75

LIBERTY (KJ)

SERIES

P = Limited
H = Sport
M = Renegade

LINE

J = LHD (4WD)
U = RHD (4WD)
T = LHD (2WD)

BODY

74 = 4 Door (104.3 WB)

ENGINE

ED1 = Engine - 2.4L 4 Cyl
DOHC 16v SMPI
EKG = Engine - 3.7L V6
ENJ = Engine -2.5L 4 Cyl 16V
Turbo Diesel
ENR = Engine - 2.8L 4 Cyl
Turbo Diesel
EN0 = 4Cyl Turbo Diesel
EKO = All 3.7L
ED0 = All 2.4L

TRANSMISSION

DDD = Transmission - 5-Speed HD
Manual
DDK = Transmission - 5-Speed HD
Manual
DG4 = Transmission-Multi-Speed
Auto, 45RFE
DG6 = Transmission-4-Spd.
Automatic, 42RLE
DGQ = Transmission-5-Spd Automatic
5-45RFE
DBB = All Manual Transmissions
DG0 = All Automatic Transmissions

AR = use ase required - = Non illustrated part

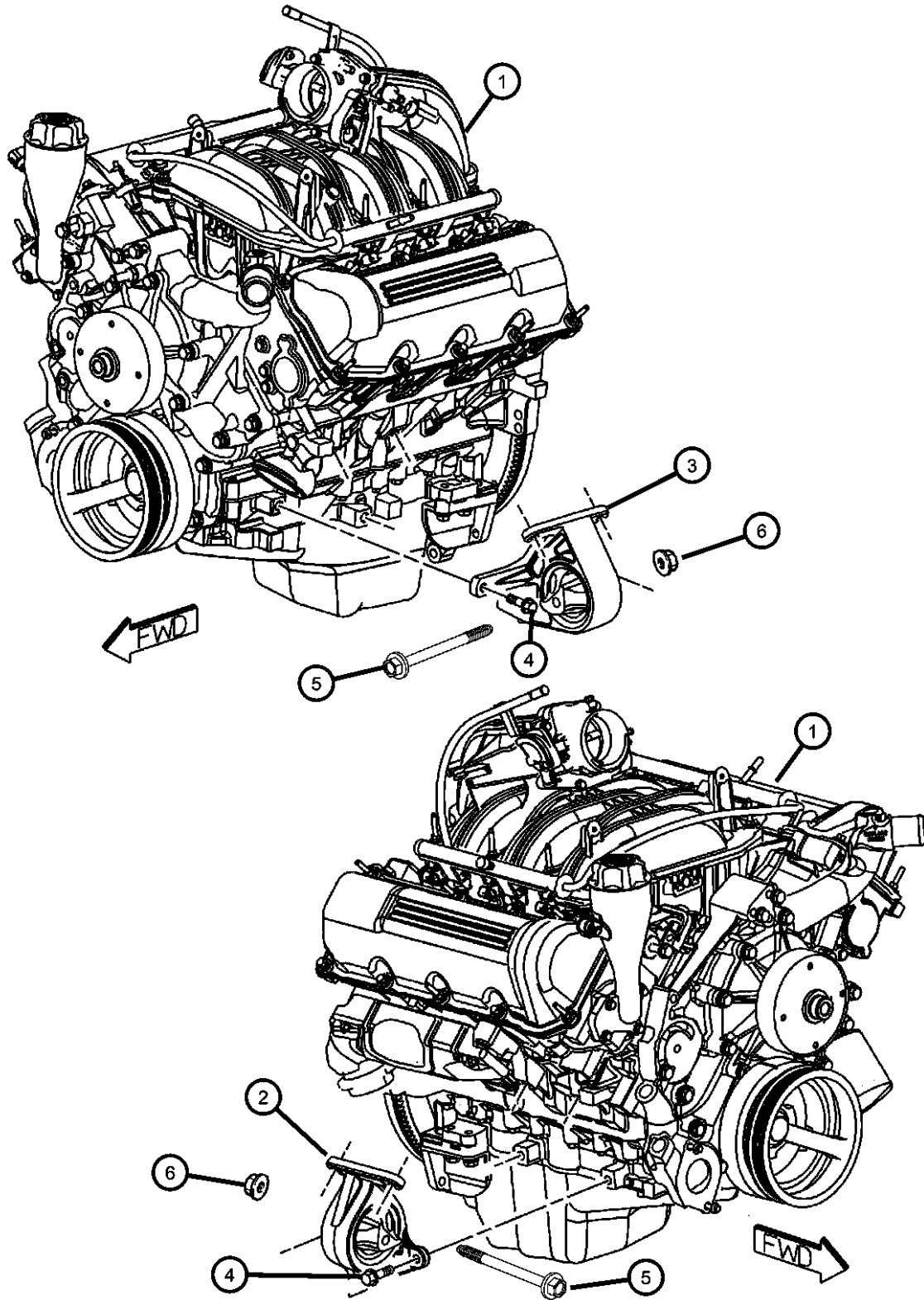
2004 KJ

**Front, Engine Mounting
Figure 9-125**

ITEM	PART NUMBER	QTY	LINE	SERIES	BODY	ENGINE	TRANS	TRIM	DESCRIPTION
------	-------------	-----	------	--------	------	--------	-------	------	-------------

Note; Sales Codes
 [EK0]= All 3.7L 6 Cylinder Gas Engines
 [EN0]= All 4/5 Cylinder Turbo Diesels

1	06502697	2							ENGINE, Complete, See Engine Group, (NOT SERVICED)
2	52059226AB	1				EK0			INSULATOR, Engine MountRight
3	52059227AC	1				EK0			INSULATOR, Engine MountLeft
4	06503699	8				EK0, EN0			SCREW AND WASHER, Hex Head, M10x1.5x28
5	34202606	1							BOLT, Hex Head
6	06502697	2							NUT, Hex Flange Lock, M12x1.75



LIBERTY (KJ)

SERIES

P = Limited
 H = Sport
 M = Renegade

LINE

J = LHD (4WD)
 U = RHD (4WD)
 T = LHD (2WD)

BODY

74 = 4 Door (104.3 WB)

ENGINE

ED1 = Engine - 2.4L 4 Cyl DOHC 16v SMPI
 EKG = Engine - 3.7L V6
 ENJ = Engine -2.5L 4 Cyl 16V Turbo Diesel
 ENR = Engine - 2.8L 4 Cyl Turbo Diesel
 EN0 = 4Cyl Turbo Diesel
 EK0 = All 3.7L
 ED0 = All 2.4L

TRANSMISSION

DDD = Transmission - 5-Speed HD Manual
 DDK = Transmission - 5-Speed HD Manual
 DG4 = Transmission-Multi-Speed Auto, 45RFE
 DG6 = Transmission-4-Spd. Automatic, 42RLE
 DGQ = Transmission-5-Spd Automatic 5-45RFE
 DBB = All Manual Transmissions
 DG0 = All Automatic Transmissions

AR = use ase required - = Non illustrated part

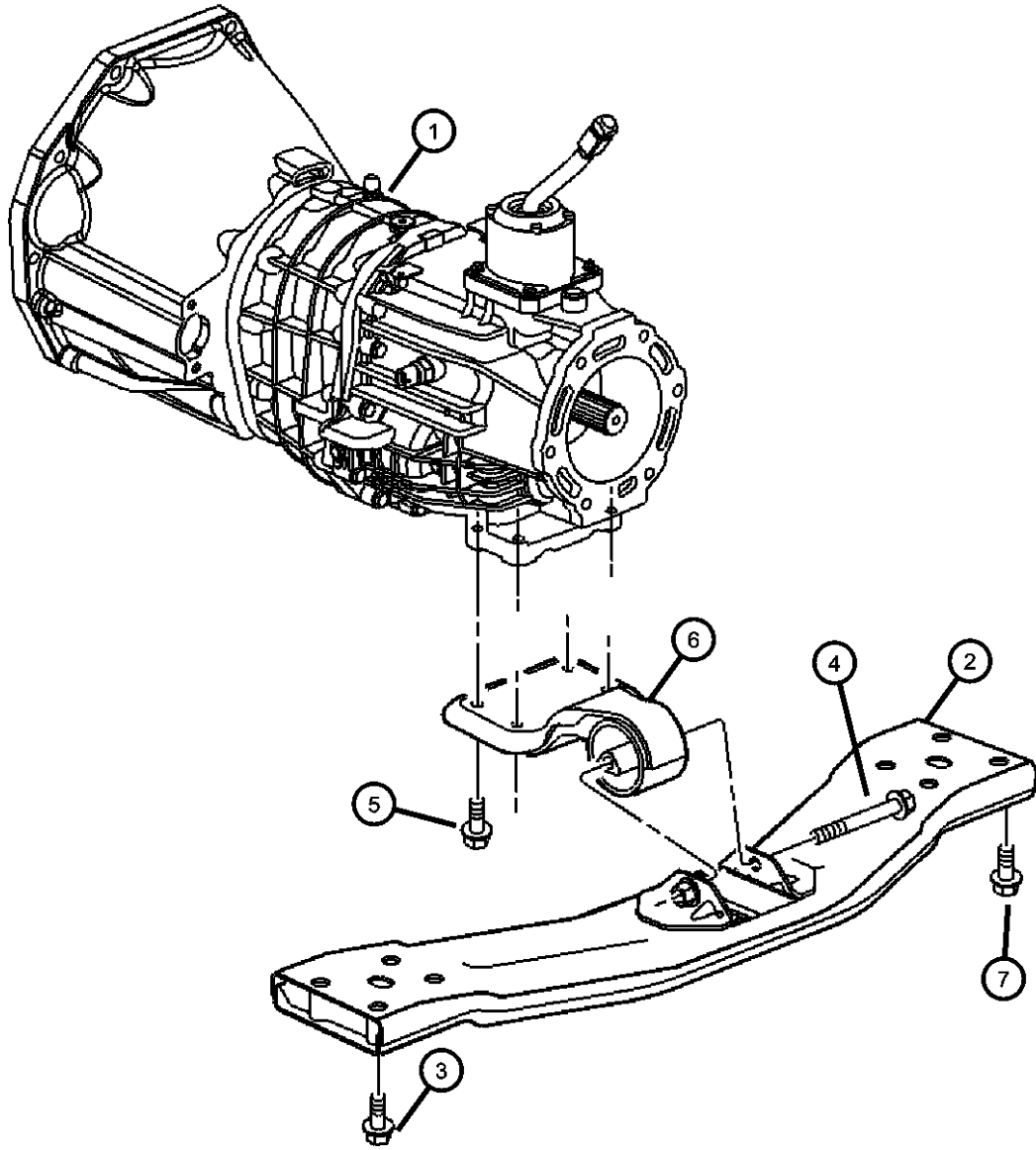
2004 KJ

**Rear, Transmission Mounting
Figure 9-130**

ITEM	PART NUMBER	QTY	LINE	SERIES	BODY	ENGINE	TRANS	TRIM	DESCRIPTION
------	-------------	-----	------	--------	------	--------	-------	------	-------------

NOTE:
Sales Codes:
[DBB]=All Manual Transmissions
[EN0]=All 4/5 Cyl. Turbo Diesel Engines

1	06502697	2							TRANSMISSION, 5 Speed, See Manual Transmission Group, (NOT SERVICED)
2	52128707AA	1				EN0			CROSSMEMBER, Transmission
3	06506000AA	4							SCREW AND WASHERInboard
4	34202606	1							BOLT, Hex Head
5	06033358	4					DBB		SCREW AND WASHER, Hex Head Locking, .437-14x1.25
6	52058539AB	1	J, U			EN0	DBB		BRACKET AND INSULATOR, Transmission Support
7	06505826AA	4							SCREW AND WASHEROuter



LIBERTY (KJ)

SERIES	LINE
P = Limited	J = LHD (4WD)
H = Sport	U = RHD (4WD)
M = Renegade	T = LHD (2WD)

BODY
74 = 4 Door (104.3 WB)

ENGINE
ED1 = Engine - 2.4L 4 Cyl DOHC 16v SMPI
EKG = Engine - 3.7L V6
ENJ = Engine -2.5L 4 Cyl 16V Turbo Diesel
ENR = Engine - 2.8L 4 Cyl Turbo Diesel
EN0 = 4Cyl Turbo Diesel
EK0 = All 3.7L
ED0 = All 2.4L

TRANSMISSION
DDD = Transmission - 5-Speed HD Manual
DDK = Transmission - 5-Speed HD Manual
DG4 = Transmission-Multi-Speed Auto, 45RFE
DG6 = Transmission-4-Spd. Automatic, 42RLE
DGQ = Transmission-5-Spd Automatic 5-45RFE
DBB = All Manual Transmissions
DG0 = All Automatic Transmissions

AR = use ase required - = Non illustrated part

2004 KJ

**Rear, Transmission Mounting
Figure 9-135**

ITEM	PART NUMBER	QTY	LINE	SERIES	BODY	ENGINE	TRANS	TRIM	DESCRIPTION
------	-------------	-----	------	--------	------	--------	-------	------	-------------

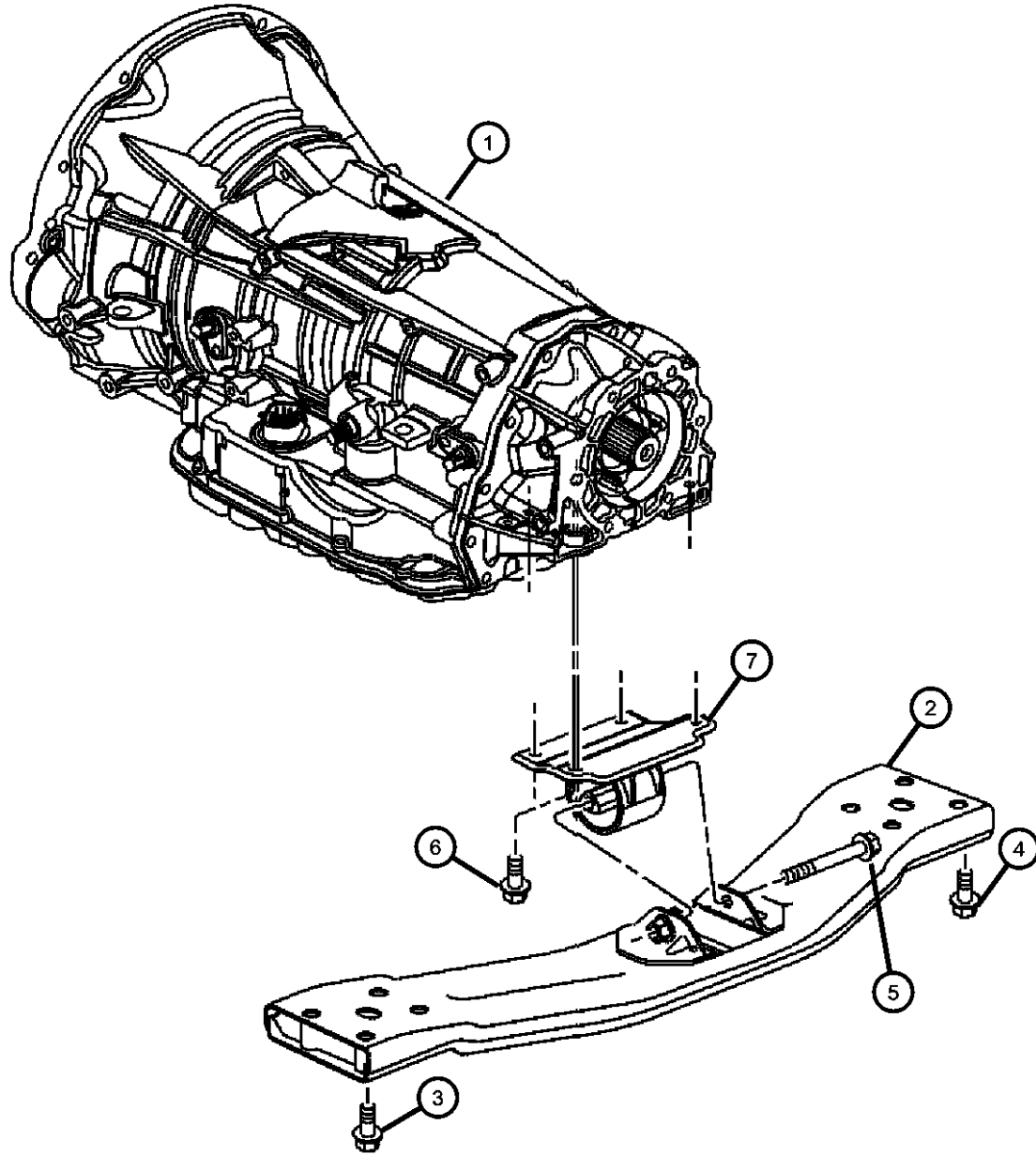
NOTE:

Sales Codes:

[DGQ]=5 Speed Automatic Transmission - [5-45RFE]

[EN0]=All 4/5 Turbo Diesel Engines

1	06505826AA	4							TRANSMISSION, See Automatic Transmission Group, (NOT SERVICED)
2	52128707AA	1				EN0			CROSSMEMBER, Transmission
3	06506000AA	4							SCREW AND WASHERInner
4	06505826AA	4							SCREW AND WASHEROuter
5	34202606	1							BOLT, Hex Head
6	06503699	1							SCREW AND WASHER, Hex Head, M10x1.5x28
7	52059313AA	1				EN0	DGQ		BRACKET, Support Rear



LIBERTY (KJ)

SERIES

P = Limited
H = Sport
M = Renegade

LINE

J = LHD (4WD)
U = RHD (4WD)
T = LHD (2WD)

BODY

74 = 4 Door (104.3 WB)

ENGINE

ED1 = Engine - 2.4L 4 Cyl DOHC 16v SMPI
EKG = Engine - 3.7L V6
ENJ = Engine -2.5L 4 Cyl 16V Turbo Diesel
ENR = Engine - 2.8L 4 Cyl Turbo Diesel
EN0 = 4Cyl Turbo Diesel
EKO = All 3.7L
ED0 = All 2.4L

TRANSMISSION

DDD = Transmission - 5-Speed HD Manual
DDK = Transmission - 5-Speed HD Manual
DG4 = Transmission-Multi-Speed Auto, 45RFE
DG6 = Transmission-4-Spd. Automatic, 42RLE
DGQ = Transmission-5-Spd Automatic 5-45RFE
DBB = All Manual Transmissions
DG0 = All Automatic Transmissions

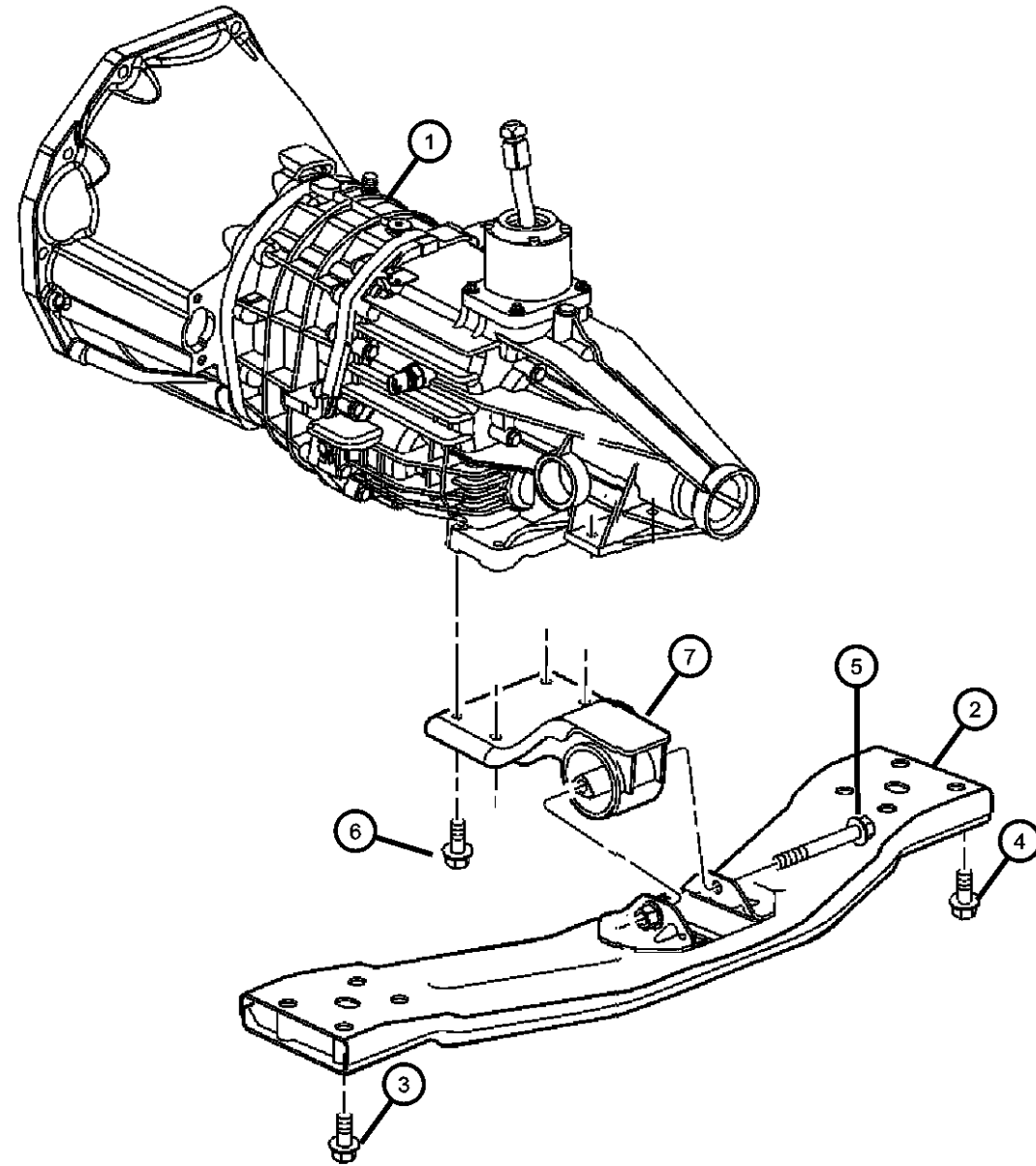
AR = use ase required - = Non illustrated part

2004 KJ

**Rear, Transmission Mounting
Figure 9-140**

ITEM	PART NUMBER	QTY	LINE	SERIES	BODY	ENGINE	TRANS	TRIM	DESCRIPTION
------	-------------	-----	------	--------	------	--------	-------	------	-------------

NOTE:
Sales Codes:
[DBB]=All Manual Transmissions
[DDK]=5 Speed Heavy Duty Manual Transmission
[EKG]=3.7L V-6 Engine
[ED0]=All 2.2, 2.5, 2.4L 4 cyl. Engine



1	52059313AA	1							TRANSMISSION, 5 Speed, See Manual Transmission Group, (NOT SERVICED)
2	52128702AA	1				ED0, EKG			CROSSMEMBER, Transmission
3	06506000AA	4							SCREW AND WASHERInner
4	06505826AA	4							SCREW AND WASHEROuter
5	34202606	1							BOLT, Hex Head
6	06033358	4					DBB		SCREW AND WASHER, Hex Head Locking, .437-14x1.25
7	52059299AB	1				ED0	DDK		BRACKET AND INSULATOR, Transmission Support

LIBERTY (KJ)

SERIES	LINE
P = Limited	J = LHD (4WD)
H = Sport	U = RHD (4WD)
M = Renegade	T = LHD (2WD)

BODY
74 = 4 Door (104.3 WB)

ENGINE
ED1 = Engine - 2.4L 4 Cyl DOHC 16v SMPI
EKG = Engine - 3.7L V6
ENJ = Engine -2.5L 4 Cyl 16V Turbo Diesel
ENR = Engine - 2.8L 4 Cyl Turbo Diesel
ENO = 4Cyl Turbo Diesel
EKO = All 3.7L
ED0 = All 2.4L

TRANSMISSION
DDD = Transmission - 5-Speed HD Manual
DDK = Transmission - 5-Speed HD Manual
DG4 = Transmission-Multi-Speed Auto, 45RFE
DG6 = Transmission-4-Spd. Automatic, 42RLE
DGQ = Transmission-5-Spd Automatic 5-45RFE
DBB = All Manual Transmissions
DG0 = All Automatic Transmissions

AR = use ase required - = Non illustrated part

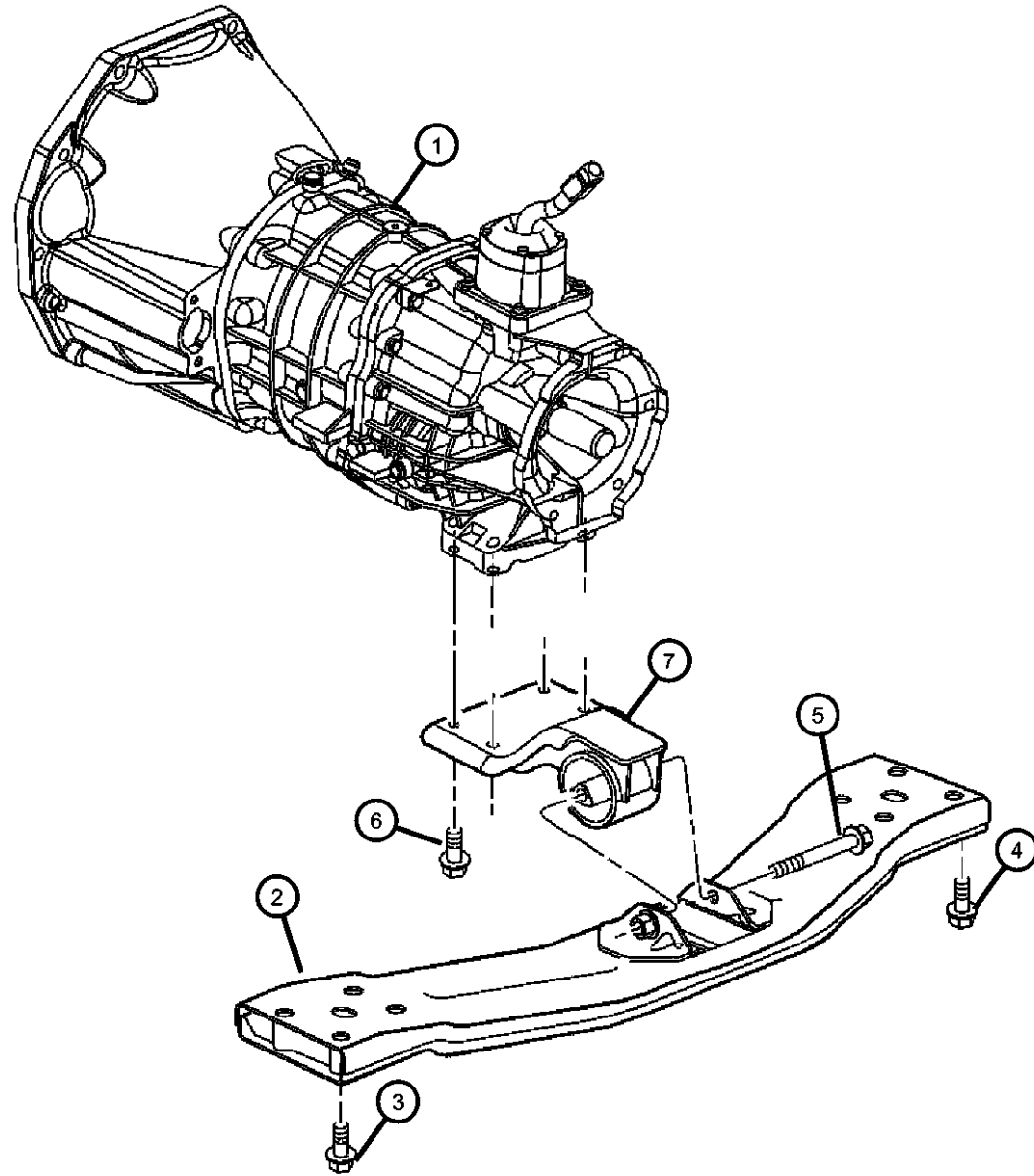
2004 KJ

**Rear, Transmission Mounting
Figure 9-145**

ITEM	PART NUMBER	QTY	LINE	SERIES	BODY	ENGINE	TRANS	TRIM	DESCRIPTION
------	-------------	-----	------	--------	------	--------	-------	------	-------------

NOTE:
Sales Codes:
[DBB]=All Manual Transmissions
[DDK]=5 Speed Heavy Duty Manual Transmission
[EKG]=3.7L V-6 Engine
[ED0]=All 2.2, 2.5, 2.4L 4 cyl. Engine

1	52059299AB	1							TRANSMISSION, 5 Speed, See Manual Transmission Group, (NOT SERVICED)
2	52128702AA	1				ED0, EKG			CROSSMEMBER, Transmission
3	06506000AA	4							SCREW AND WASHERInner
4	06505826AA	4							SCREW AND WASHEROuter
5	34202606	1							BOLT, Hex Head
6	06033358	4					DBB		SCREW AND WASHER, Hex Head Locking, .437-14x1.25
7	52059299AB	1				ED0	DDK		BRACKET AND INSULATOR, Transmission Support



LIBERTY (KJ)

SERIES	LINE
P = Limited	J = LHD (4WD)
H = Sport	U = RHD (4WD)
M = Renegade	T = LHD (2WD)

BODY
74 = 4 Door (104.3 WB)

ENGINE
ED1 = Engine - 2.4L 4 Cyl DOHC 16v SMPI
EKG = Engine - 3.7L V6
ENJ = Engine -2.5L 4 Cyl 16V Turbo Diesel
ENR = Engine - 2.8L 4 Cyl Turbo Diesel
ENO = 4Cyl Turbo Diesel
EKO = All 3.7L
ED0 = All 2.4L

TRANSMISSION
DDD = Transmission - 5-Speed HD Manual
DDK = Transmission - 5-Speed HD Manual
DG4 = Transmission-Multi-Speed Auto, 45RFE
DG6 = Transmission-4-Spd. Automatic, 42RLE
DGQ = Transmission-5-Spd Automatic 5-45RFE
DBB = All Manual Transmissions
DG0 = All Automatic Transmissions

AR = use ase required - = Non illustrated part

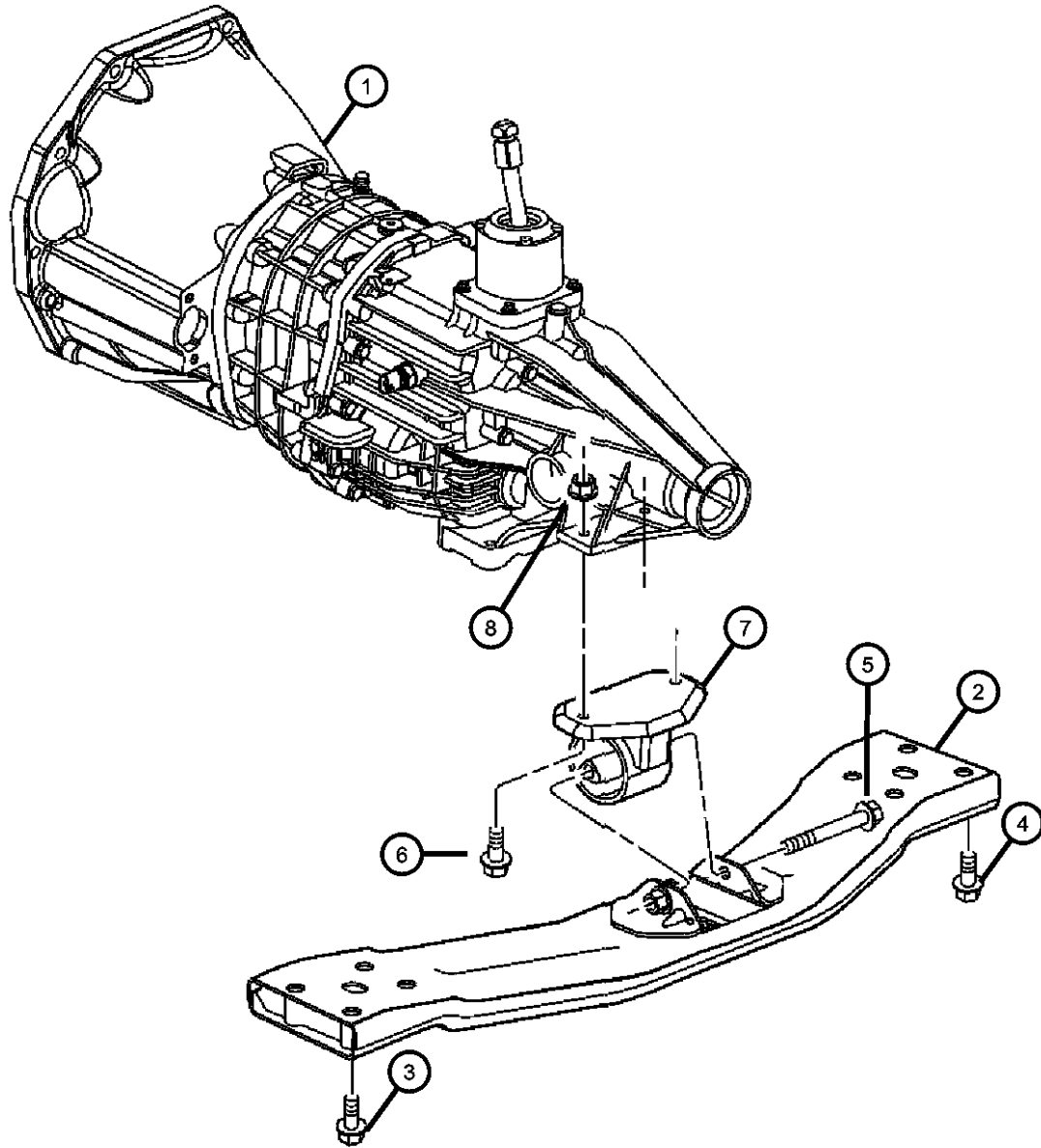
2004 KJ

**Rear, Transmission Mounting
Figure 9-150**

ITEM	PART NUMBER	QTY	LINE	SERIES	BODY	ENGINE	TRANS	TRIM	DESCRIPTION
------	-------------	-----	------	--------	------	--------	-------	------	-------------

NOTE:
Sales Codes:
[DBB]=All Manual Transmissions
[DG6]=4 Speed Automatic Transmission - [42RLE]
[EKG]=3.7L V-6 Engine
[ED0]=All 2.2, 2.5, 2.4L 4 Cyl. Engines
[EK0]=All 3.7L V-6 Engines

1	52059299AB	1							TRANSMISSION, 5 Speed, See Manual Transmission Group, (NOT SERVICED)
2	52128702AA	1				ED0, EKG			CROSSMEMBER, Transmission
3	06506000AA	4							SCREW AND WASHERInner
4	06505826AA	4							SCREW AND WASHEROuter
5	34202606	1							BOLT, Hex Head
6	06502936	2	T			EK0	DBB, DG6		SCREW AND WASHER, Hex Head Pilot Point, M12x1.75x45
7	52059309AA	1	T			EK0	DBB		BRACKET AND INSULATOR, Transmission Support
8	06506633AA	2	T			EK0	DBB		NUT, Hex



LIBERTY (KJ)

SERIES	LINE
P = Limited	J = LHD (4WD)
H = Sport	U = RHD (4WD)
M = Renegade	T = LHD (2WD)

BODY
74 = 4 Door (104.3 WB)

ENGINE
ED1 = Engine - 2.4L 4 Cyl DOHC 16v SMPI
EKG = Engine - 3.7L V6
ENJ = Engine -2.5L 4 Cyl 16V Turbo Diesel
ENR = Engine - 2.8L 4 Cyl Turbo Diesel
ENO = 4Cyl Turbo Diesel
EK0 = All 3.7L
ED0 = All 2.4L

TRANSMISSION
DDD = Transmission - 5-Speed HD Manual
DDK = Transmission - 5-Speed HD Manual
DG4 = Transmission-Multi-Speed Auto, 45RFE
DG6 = Transmission-4-Spd. Automatic, 42RLE
DGQ = Transmission-5-Spd Automatic 5-45RFE
DBB = All Manual Transmissions
DG0 = All Automatic Transmissions

AR = use ase required - = Non illustrated part

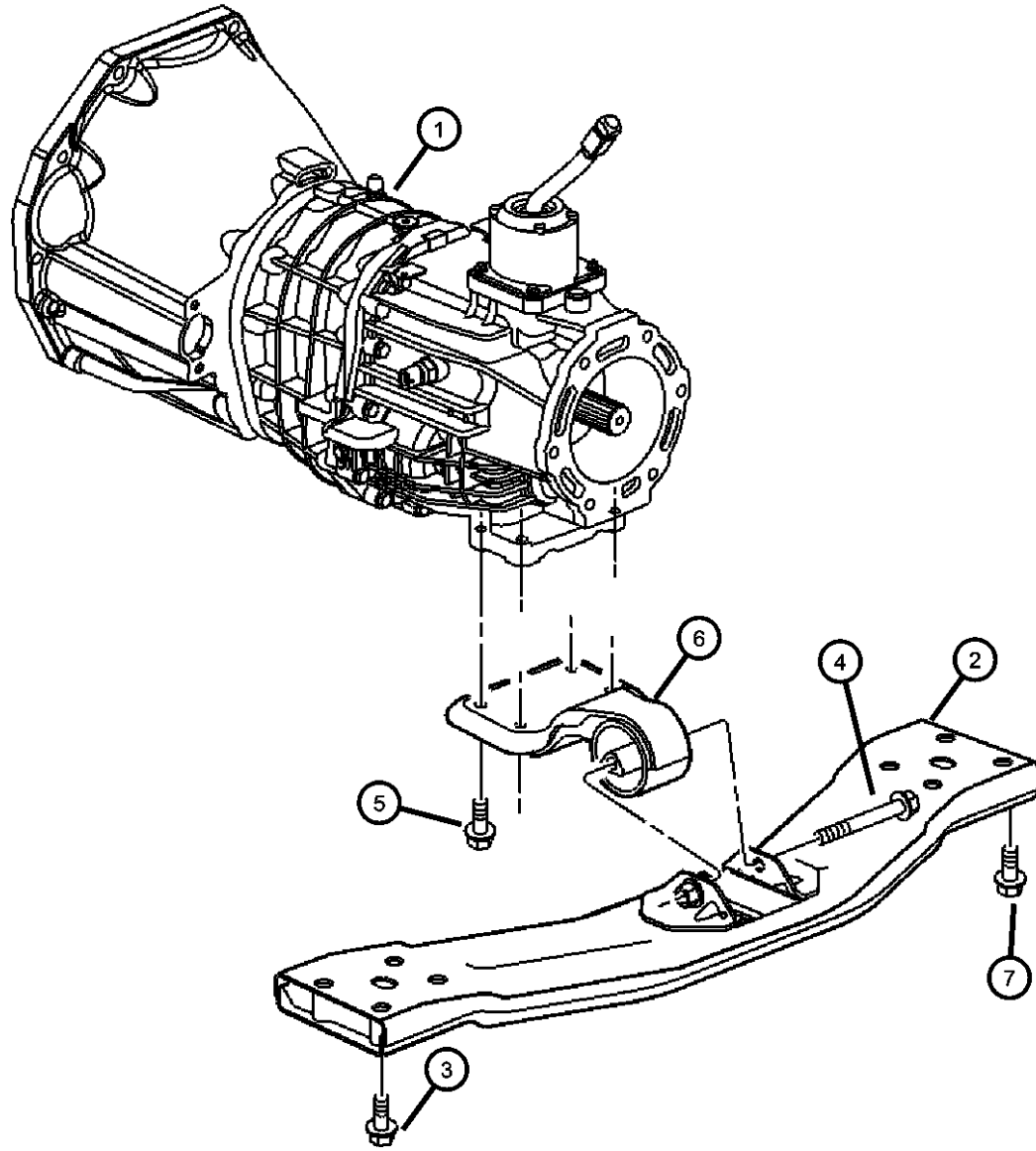
2004 KJ

**Rear, Transmission Mounting
Figure 9-155**

ITEM	PART NUMBER	QTY	LINE	SERIES	BODY	ENGINE	TRANS	TRIM	DESCRIPTION
------	-------------	-----	------	--------	------	--------	-------	------	-------------

NOTE:
Sales Codes:
[DBB]=All Manual Transmissions
[EKG]=3.7L V-6 Engine
[ED0]=All 2.2, 2.5, 2.4L 4 Cyl. Engines
[EK0]=All 3.7L V-6 Engines

1	06506633AA	2							TRANSMISSION, 5 Speed, See Manual Transmission Group, (NOT SERVICED)
2	52128702AA	1				ED0, EKG			CROSSMEMBER, Transmission
3	06506000AA	4							SCREW AND WASHER Inboard
4	34202606	1							BOLT, Hex Head
5	06033358	4					DBB		SCREW AND WASHER, Hex Head Locking, .437-14x1.25
6	52059324AA	1	J, U			EK0	DBB		BRACKET AND INSULATOR, Transmission Support
7	06505826AA	4							SCREW AND WASHER Outer



LIBERTY (KJ)

SERIES	LINE
P = Limited	J = LHD (4WD)
H = Sport	U = RHD (4WD)
M = Renegade	T = LHD (2WD)

BODY
74 = 4 Door (104.3 WB)

ENGINE
ED1 = Engine - 2.4L 4 Cyl DOHC 16v SMPI
EKG = Engine - 3.7L V6
ENJ = Engine -2.5L 4 Cyl 16V Turbo Diesel
ENR = Engine - 2.8L 4 Cyl Turbo Diesel
ENO = 4Cyl Turbo Diesel
EK0 = All 3.7L
ED0 = All 2.4L

TRANSMISSION
DDD = Transmission - 5-Speed HD Manual
DDK = Transmission - 5-Speed HD Manual
DG4 = Transmission-Multi-Speed Auto, 45RFE
DG6 = Transmission-4-Spd. Automatic, 42RLE
DGQ = Transmission-5-Spd Automatic 5-45RFE
DBB = All Manual Transmissions
DG0 = All Automatic Transmissions

AR = use ase required - = Non illustrated part

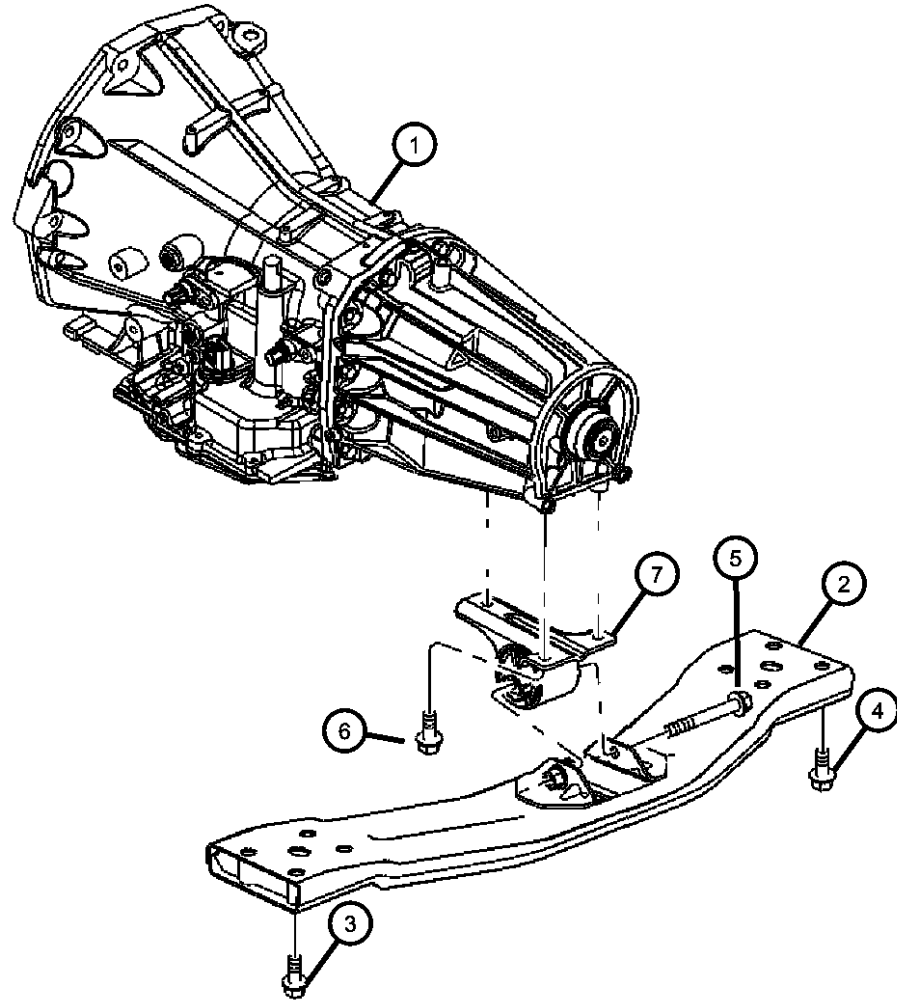
2004 KJ

**Rear, Transmission Mounting
Figure 9-160**

ITEM	PART NUMBER	QTY	LINE	SERIES	BODY	ENGINE	TRANS	TRIM	DESCRIPTION
------	-------------	-----	------	--------	------	--------	-------	------	-------------

NOTE:
Sales Codes:
[EKG]=3.7L V-6 Engine
[DG6]=5 Speed Automatic Transmission - [5-45RFE]
[ED0]=All 2.2, 2.5, 2.4L 4 Cyl. Engines
[EK0]=All 3.7L V-6 Engines

1	06505826AA	4							TRANSMISSION, See Automatic Transmission Group, (NOT SERVICED)
2	52128702AA	1				ED0, EKG			CROSSMEMBER, Transmission
3	06506000AA	4							SCREW AND WASHERInner
4	06505826AA	4							SCREW AND WASHEROuter
5	34202606	1							BOLT, Hex Head
6	06503699	2							SCREW AND WASHER, Hex Head, M10x1.5x28
7	52128651AA	1	T			EK0	DG6		BRACKET AND INSULATOR, Transmission Support



LIBERTY (KJ)

SERIES	LINE
P = Limited	J = LHD (4WD)
H = Sport	U = RHD (4WD)
M = Renegade	T = LHD (2WD)

BODY
74 = 4 Door (104.3 WB)

ENGINE
ED1 = Engine - 2.4L 4 Cyl DOHC 16v SMPI
EKG = Engine - 3.7L V6
ENJ = Engine -2.5L 4 Cyl 16V Turbo Diesel
ENR = Engine - 2.8L 4 Cyl Turbo Diesel
ENO = 4Cyl Turbo Diesel
EK0 = All 3.7L
ED0 = All 2.4L

TRANSMISSION
DDD = Transmission - 5-Speed HD Manual
DDK = Transmission - 5-Speed HD Manual
DG4 = Transmission-Multi-Speed Auto, 45RFE
DG6 = Transmission-4-Spd. Automatic, 42RLE
DGQ = Transmission-5-Spd Automatic 5-45RFE
DBB = All Manual Transmissions
DG0 = All Automatic Transmissions

AR = use ase required - = Non illustrated part

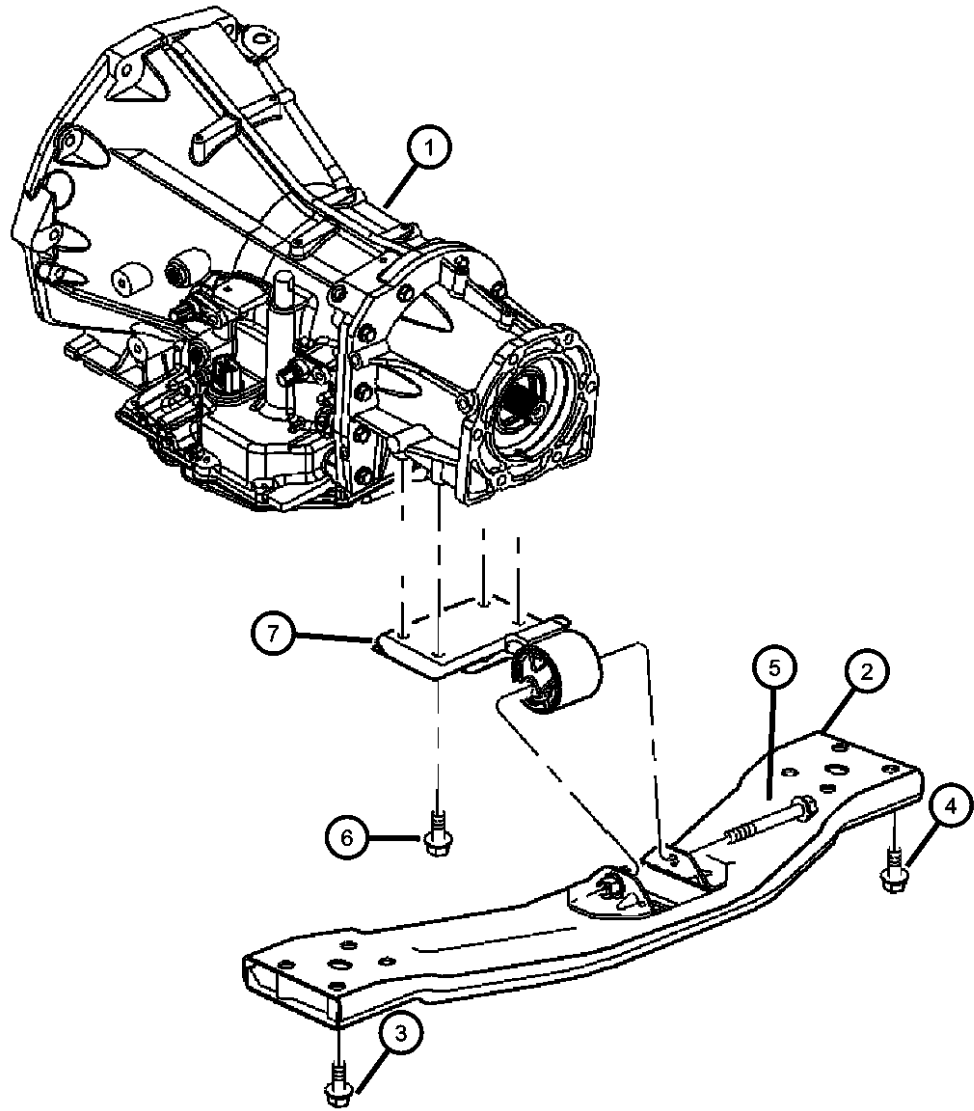
2004 KJ

**Rear, Transmission Mounting
Figure 9-165**

ITEM	PART NUMBER	QTY	LINE	SERIES	BODY	ENGINE	TRANS	TRIM	DESCRIPTION
------	-------------	-----	------	--------	------	--------	-------	------	-------------

NOTE:
Sales Codes:
[EKG]=3.7L V-6 Engine
[DG6]=5 Speed Automatic Transmission - [5-45RFE]
[ED0]=All 2.2, 2.5, 2.4L 4 Cyl. Engines
[EK0]=All 3.7L V-6 Engines

1	52128651AA	1							TRANSMISSION, See Automatic Transmission Group, (NOT SERVICED)
2	52128702AA	1				ED0, EKG			CROSSMEMBER, Transmission
3	06505826AA	4							SCREW AND WASHERInner
4	06505826AA	4							SCREW AND WASHEROuter
5	34202606	1							BOLT, Hex Head
6	06503699	4	J, U				DG6		SCREW AND WASHER, Hex Head, M10x1.5x28
7	52128654AA	1	J, U			EK0	DG6		BRACKET AND INSULATOR, Transmission Support



LIBERTY (KJ)		BODY		ENGINE		TRANSMISSION	
SERIES	LINE						
P = Limited	J = LHD (4WD)	74 = 4 Door (104.3 WB)		ED1 = Engine - 2.4L 4 Cyl DOHC 16v SMPI	DDD = Transmission - 5-Speed HD Manual		
H = Sport	U = RHD (4WD)			EKG = Engine - 3.7L V6	DDK = Transmission - 5-Speed HD Manual		
M = Renegade	T = LHD (2WD)			ENJ = Engine -2.5L 4 Cyl 16V Turbo Diesel	DG4 = Transmission-Multi-Speed Auto, 45RFE		
				ENR = Engine - 2.8L 4 Cyl Turbo Diesel	DG6 = Transmission-4-Spd. Automatic, 42RLE		
				ENO = 4Cyl Turbo Diesel	DGQ = Transmission-5-Spd Automatic 5-45RFE		
				EK0 = All 3.7L	DBB = All Manual Transmissions		
				ED0 = All 2.4L	DG0 = All Automatic Transmissions		

AR = use ase required - = Non illustrated part

2004 KJ

Group - 2.4L

Engine 2.4L Four Cylinder

Group - 2.4L Engine 2.4L Four Cylinder

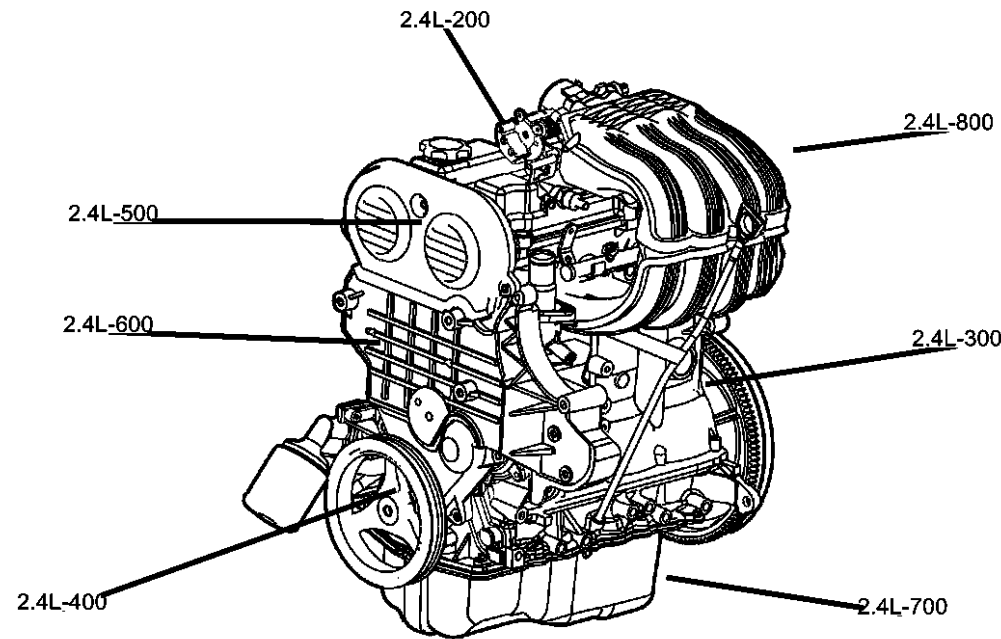


Illustration Title

Group-Fig. No.

Cylinder Head

Cylinder Head, 2.4L [ED1] Fig. 2.4L - 210

Cylinder Block

Cylinder Block, 2.4L [ED1] Fig. 2.4L - 310

Crankshaft, Piston, and Drive Plate

Crankshaft, Pistons and Flywheel, 2.4L [ED1] Fig. 2.4L - 410

Camshafts and Valves

Camshaft and Valves 2.4L [ED1] Fig. 2.4L - 510

Timing Belt and Cover

Timing Belt and Cover, 2.4L [ED1] Fig. 2.4L - 610

Balance Shafts, 2.4L [ED1] Fig. 2.4L - 620

Engine Oiling

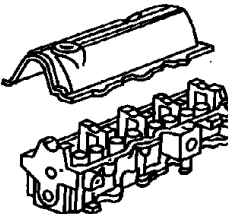
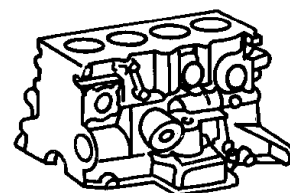

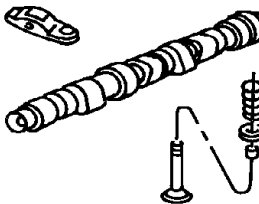
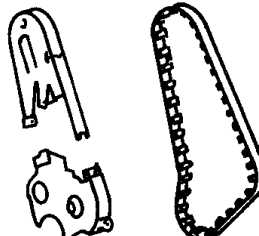
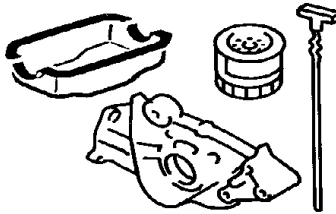
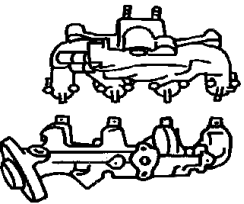
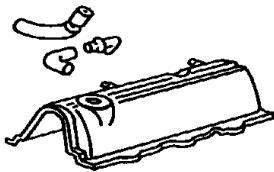
Engine Oiling, 2.4L [ED1] Fig. 2.4L - 710

Manifolds

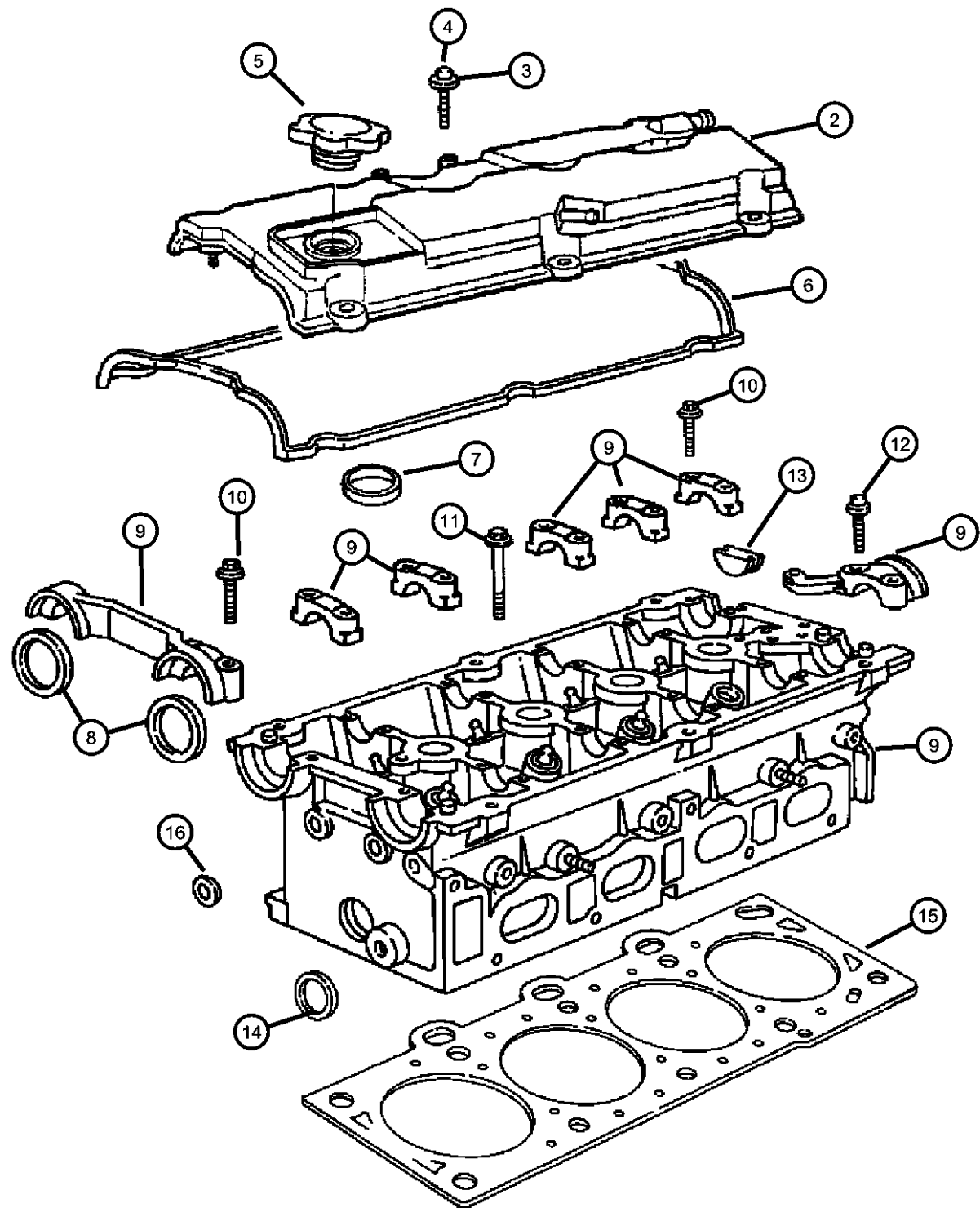
Intake and Exhaust Manifolds, 2.4L [ED1] Fig. 2.4L - 810

Crankcase Ventilation

Crankcase Ventilation , 2.4L [ED1] Fig. 2.4L - 910

<p>2.4L-200 Cylinder Head</p> 	<p>2.4L-300 Cylinder Block</p> 	<p>2.4L-400 Crankshaft, Piston, and Drive Plate</p> 	<p>2.4L-500 Camshafts and Valves</p> 
<p>2.4L-600 Timing Belt and Cover</p> 	<p>2.4L-700 Engine Oiling</p> 	<p>2.4L-800 Manifolds</p> 	<p>2.4L-900 Crankcase Ventilation</p> 

**Cylinder Head, 2.4L [ED1]
Figure 2.4L-210**



ITEM	PART NUMBER	QTY	LINE	SERIES	BODY	ENGINE	TRANS	TRIM	DESCRIPTION
------	-------------	-----	------	--------	------	--------	-------	------	-------------

NOTE: Sales Codes
[ED0] = All 2.2L,2.5L,2.4L, 4 Cylinder Gas Engines

-1	05072474AC	1				ED0			GASKET PACKAGE, Engine Upper
2	53010493AD	1				ED0			COVER, Cylinder Head
3	53010493AD	1							SCREW, (NOT SERVICED)
4	04777997AA	3				ED0			ISOLATOR, Cylinder Head Cover, Grommet And Bolt
5	04648831AA	1				ED0			CAP, Oil Filler
6	04777478	1				ED0			GASKET, Valve Cover
7	04777477	4				ED0			GASKET, Spark Plug Well
8	04777086	2				ED0			SEAL, CamshaftFront
9	04667088AG	1				ED0			HEAD, Cylinder
10	06100918	18				ED0			BOLT, Hex Flange Head, M6x1.00x35
11	06504033	10				ED0			BOLT, Cylinder Head
12	06101527	6				ED0			SCREW, Hex Flange Head, M8x1.25x40
13	04667731	1				ED0			PLUG, Camshaft
14	04556020	2				ED0			PLUG, Core, 1.25 Diameter
15	04884443AB	1				ED0			GASKET, Cylinder Head
16	06036543AA	6				ED0			PLUG, Pipe

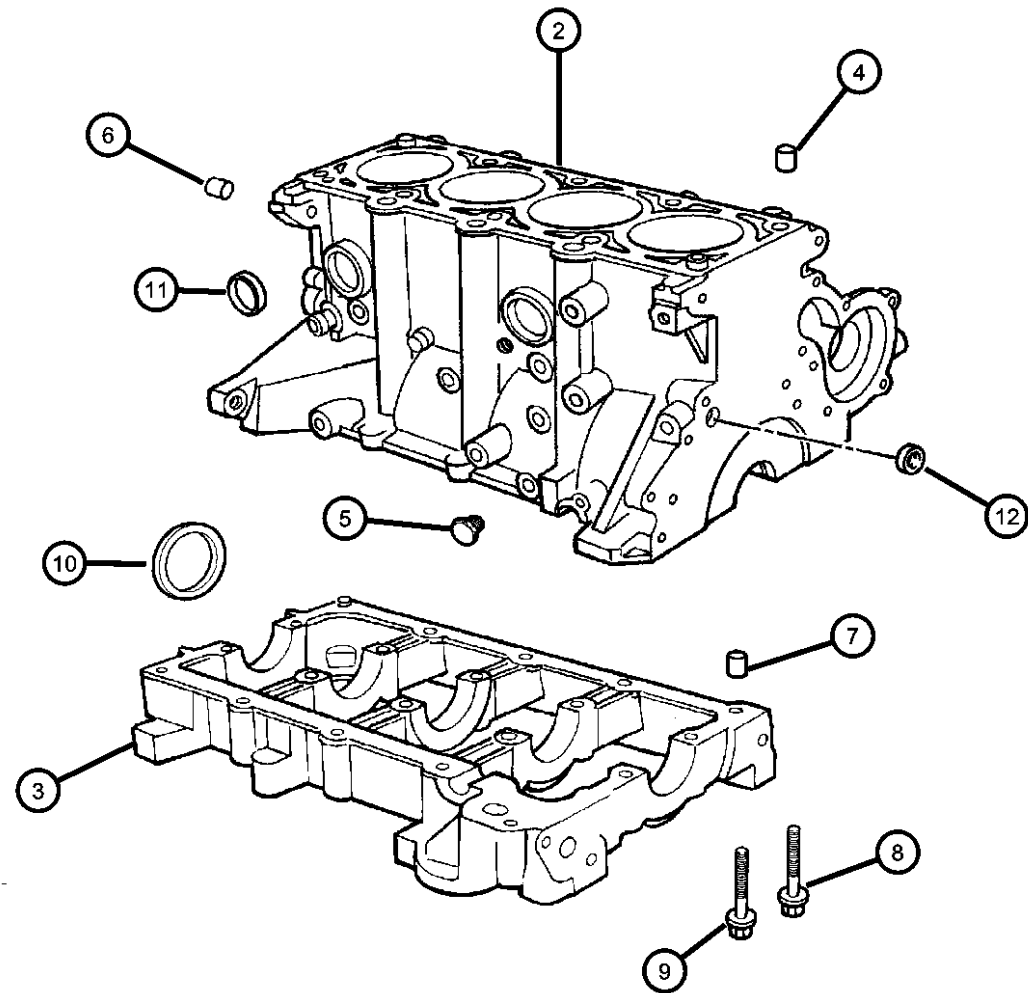
LIBERTY (KJ)

SERIES	LINE	BODY	ENGINE	TRANSMISSION
P = Limited	J = LHD (4WD)	74 = 4 Door (104.3 WB)	ED1 = Engine - 2.4L 4 Cyl DOHC 16v SMPI	DDD = Transmission - 5-Speed HD Manual
H = Sport	U = RHD (4WD)		EKG = Engine - 3.7L V6	DDK = Transmission - 5-Speed HD Manual
M = Renegade	T = LHD (2WD)		ENJ = Engine -2.5L 4 Cyl 16v Turbo Diesel	DG4 = Transmission-Multi-Speed Auto, 45RFE
			ENR = Engine - 2.8L 4 Cyl Turbo Diesel	DG6 = Transmission-4-Spd. Automatic, 42RLE
			ENO = 4Cyl Turbo Diesel	DGQ = Transmission-5-Spd Automatic 5-45RFE
			EKO = All 3.7L	DBB = All Manual Transmissions
			ED0 = All 2.4L	DG0 = All Automatic Transmissions

AR = use ase required - = Non illustrated part

2004 KJ

**Cylinder Block, 2.4L [ED1]
Figure 2.4L-310**



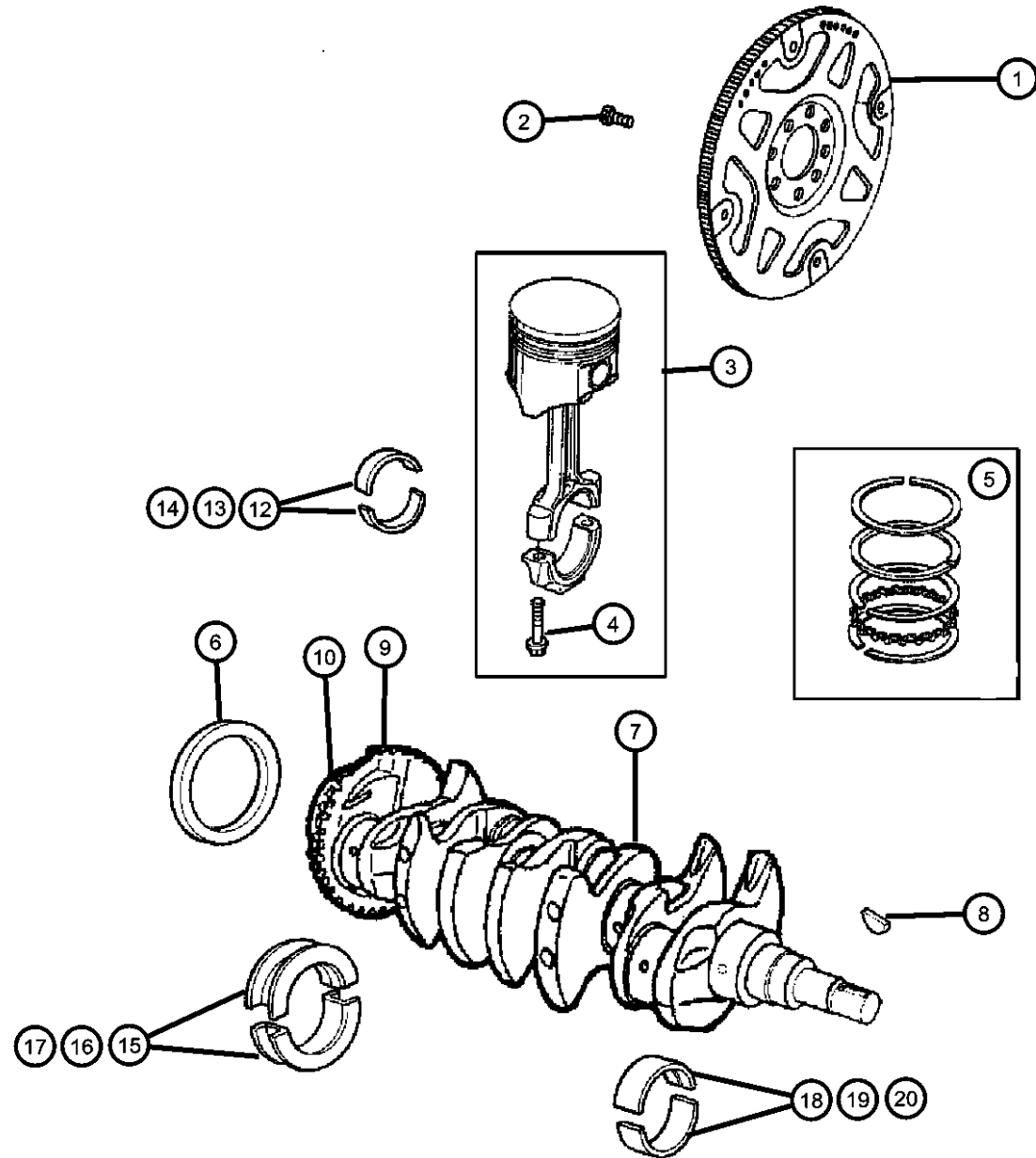
ITEM	PART NUMBER	QTY	LINE	SERIES	BODY	ENGINE	TRANS	TRIM	DESCRIPTION
Note; Sales Codes									
[DBB]= All Manual Transmissions									
[ED0]= ALL 2.2L,2.5L,2.4L, 4 Cylinder Gas Engines									
-1	05072475AA	1				ED0			GASKET PACKAGE, Engine Lower
2	05019344AB	1				ED0			BLOCK, Short
	04761838AB								Mopar 5W-30 Engine Oil Quart
	04761844AC								Mopar 5W-30 Engine Oil Gallon
	P5007323								Performance Mobil 1, 5W - 30 Tri-Synthetic Engine Oil, Quart
3	05019344AB	1							BEDPLATE, Serviced With Short Block Only, (NOT SERVICED)
4	04448856	2				ED0			DOWEL, Block To Cylinder Head
5	06036543AA	6				ED0			PLUG, Pipe
6	05240849	2				ED0			DOWEL
7	04694106	2				ED0			DOWEL, Engine Block To Bedplate
8	06503387	10				ED0			BOLT, Main Bearing Cap
9	06504257	9				ED0			BOLT, Hex Head, M8x1.25x70
10	04621939AB	1				ED0			SEAL, Rear Main Crankshaft
11	06034804	4				ED0			PLUG, Core, 1.39 DiameterCylinder Block
12	04556018AB	1				ED0			PLUG, Cylinder Block Oil Hole
-13	53013486AA	2				ED0			BRACKET, Engine Lift
-14	06034331	1				ED0			PLUG, Hex Socket, 3/8- 18NPTx.475
-15	06507155AA	1				ED0			STUD, Double Ended

LIBERTY (KJ)

SERIES	LINE	BODY	ENGINE	TRANSMISSION
P = Limited	J = LHD (4WD)	74 = 4 Door (104.3 WB)	ED1 = Engine - 2.4L 4 Cyl DOHC 16v SMPI	DDD = Transmission - 5-Speed HD Manual
H = Sport	U = RHD (4WD)		EKG = Engine - 3.7L V6	DDK = Transmission - 5-Speed HD Manual
M = Renegade	T = LHD (2WD)		ENJ = Engine -2.5L 4 Cyl 16V Turbo Diesel	DG4 = Transmission-Multi-Speed Auto, 45RFE
			ENR = Engine - 2.8L 4 Cyl Turbo Diesel	DG6 = Transmission-4-Spd. Automatic, 42RLE
			ENO = 4Cyl Turbo Diesel	DGQ = Transmission-5-Spd Automatic 5-45RFE
			EKO = All 3.7L	DBB = All Manual Transmissions
			ED0 = All 2.4L	DG0 = All Automatic Transmissions

AR = use ase required - = Non illustrated part

**Crankshaft, Pistons and Flywheel, 2.4L [ED1]
Figure 2.4L-410**



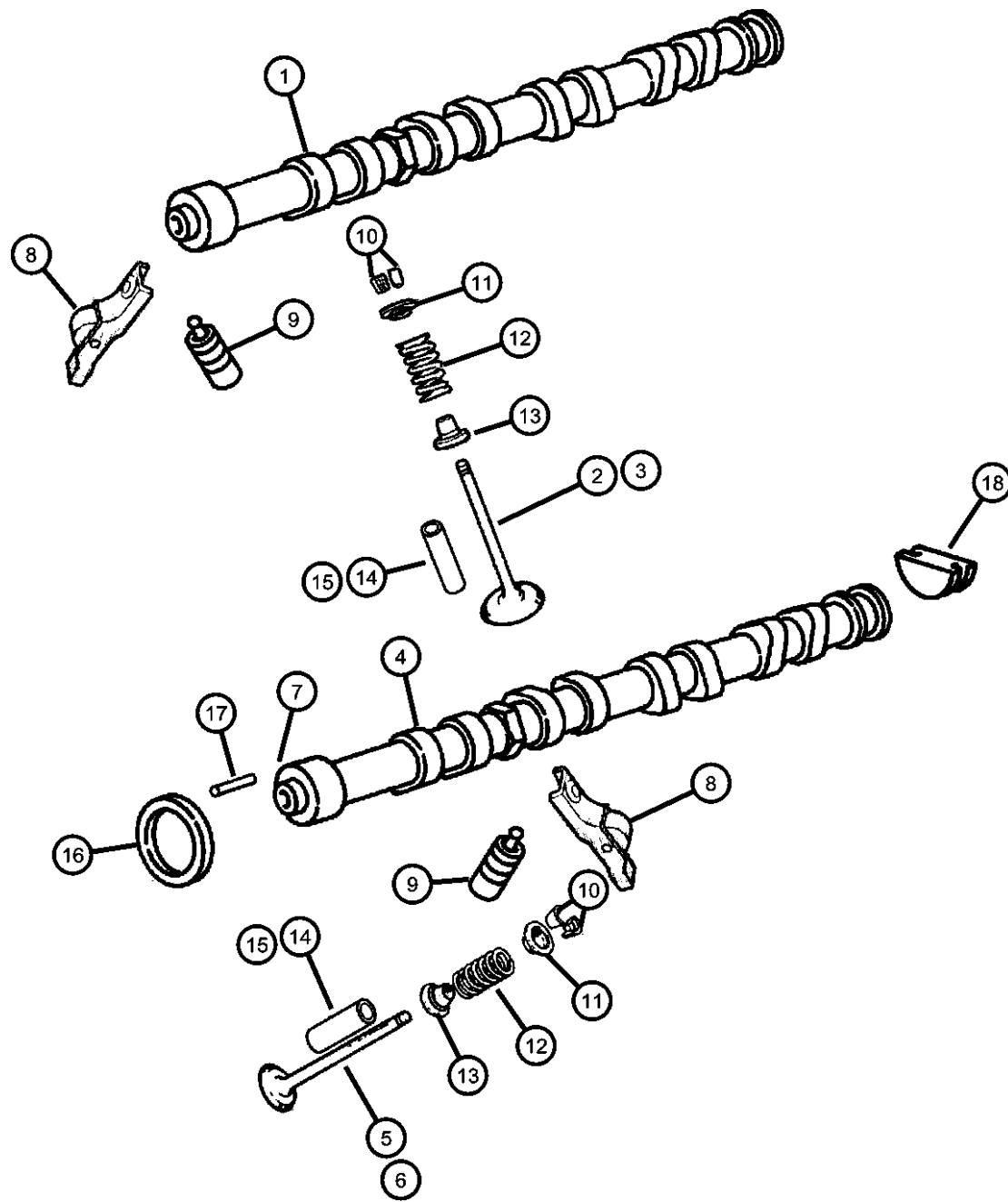
ITEM	PART NUMBER	QTY	LINE	SERIES	BODY	ENGINE	TRANS	TRIM	DESCRIPTION
Note; Sales Codes [DBB] = All Manual Transmissions [ED0]= All 2.2L,2.5L, 2.4L, 4 Cylinder Gas Engines									
1	52104578AB	1				ED0	DBB		FLYWHEEL
2	06507240AA	8				ED0	DBB		SCREW
3	05066565AB	4				ED0			PISTON PIN AND ROD
4	06503116	8				ED0			BOLT, Connecting Rod
5	05073524AA	1				ED0			PISTON RING SET, COMPLETE ENGINE, STD.
6	04621939AB	1				ED0			SEAL, Rear Main Crankshaft
7	04781643AA	1				ED0			CRANKSHAFT
8	06035473	1				ED0			KEY, Crankshaft Sprocket
9	05114417AA	1				ED0			RING PACKAGE, Crankshaft Target
10	52104337AA	1				ED0	DBB		BEARING, Pilot
-11	06506656AA	4				ED0			SCREW
12	05093448AB	8				ED0			BEARING KIT, Connecting Rod, Standard
13	05093449AA	8				ED0			BEARING KIT, Connecting Rod, .025 mm U/S
14	05012590AA	AR				ED0			BEARING KIT, Connecting Rod, .25 mm U/S
15	05012585AB	1				ED0			BEARING KIT, Crankshaft Thrust, Std
16	05012586AB	2				ED0			BEARING KIT, Crankshaft Thrust, .025mm Undersize
17	05012587AB	2				ED0			BEARING KIT, Crankshaft Thrust, .25mm Undersize
18	05012582AA	4				ED0			BEARING KIT, Crankshaft, Standard
19	05012583AA	4				ED0			BEARING KIT, Crankshaft, .025mm Undersize
20	05012584AA	4				ED0			BEARING KIT, Crankshaft, .25mm Undersize

LIBERTY (KJ)				
SERIES	LINE	BODY	ENGINE	TRANSMISSION
P = Limited	J = LHD (4WD)	74 = 4 Door (104.3 WB)	ED1 = Engine - 2.4L 4 Cyl DOHC 16v SMPI	DDD = Transmission - 5-Speed HD Manual
H = Sport	U = RHD (4WD)		EKG = Engine - 3.7L V6	DDK = Transmission - 5-Speed HD Manual
M = Renegade	T = LHD (2WD)		ENJ = Engine -2.5L 4 Cyl 16v Turbo Diesel	DG4 = Transmission-Multi-Speed Auto, 45RFE
			ENR = Engine - 2.8L 4 Cyl Turbo Diesel	DG6 = Transmission-4-Spd. Automatic, 42RLE
			ENO = 4Cyl Turbo Diesel	DGQ = Transmission-5-Spd Automatic 5-45RFE
			EKO = All 3.7L	DBB = All Manual Transmissions
			ED0 = All 2.4L	DG0 = All Automatic Transmissions

AR = use ase required - = Non illustrated part

**Camshaft and Valves 2.4L [ED1]
Figure 2.4L-510**

ITEM	PART NUMBER	QTY	LINE	SERIES	BODY	ENGINE	TRANS	TRIM	DESCRIPTION
Note; Sales Codes [ED0]= All 2.2L, 2.5L, 2.4L, 4 Cylinder Gas Engines									
1	04781681AA	1				ED0			CAMSHAFT, Intake
2	04667969AB	8				ED0			VALVE, Intake, Standard
3	04667970AB	8				ED0			VALVE, Intake, .015" O/S
4	04781679AA	1				ED0			CAMSHAFT, Exhaust
5	04777898AA	8				ED0			VALVE, Exhaust, Standard
6	04777899AA	8				ED0			VALVE, Exhaust, .015" O/S
7	53010549AB	1				ED0			RING, Tone
8	04884042AA	16				ED0			ROCKER ARM, Valve Roller
9	04777976AA	16				ED0			ADJUSTER, Valve Lash
10	04777050AC	32				ED0			LOCK, Valve Spring Retainer
11	04648682AB	16				ED0			RETAINER, Valve Spring
12	04648907AA	16				ED0			SPRING, Valve
13	04648619	16				ED0			SEAL, Valve Guide
14	04648619	16							GUIDE, Intake/Exhaust Valve, Standard Size, (NOT SERVICED)
15	04667411	1				ED0			GUIDE, Intake/Exhaust Valve, 7mm Oversize
16	04777086	2				ED0			SEAL, Camshaft
17	06100997	1				ED0			PIN, Dowel, Exhaust Cam
18									PLUG, Camshaft
	04667731	1				ED0			Cylinder Head
	53010521AA	1				ED0			



LIBERTY (KJ)

SERIES	LINE
P = Limited	J = LHD (4WD)
H = Sport	U = RHD (4WD)
M = Renegade	T = LHD (2WD)

BODY
74 = 4 Door (104.3 WB)

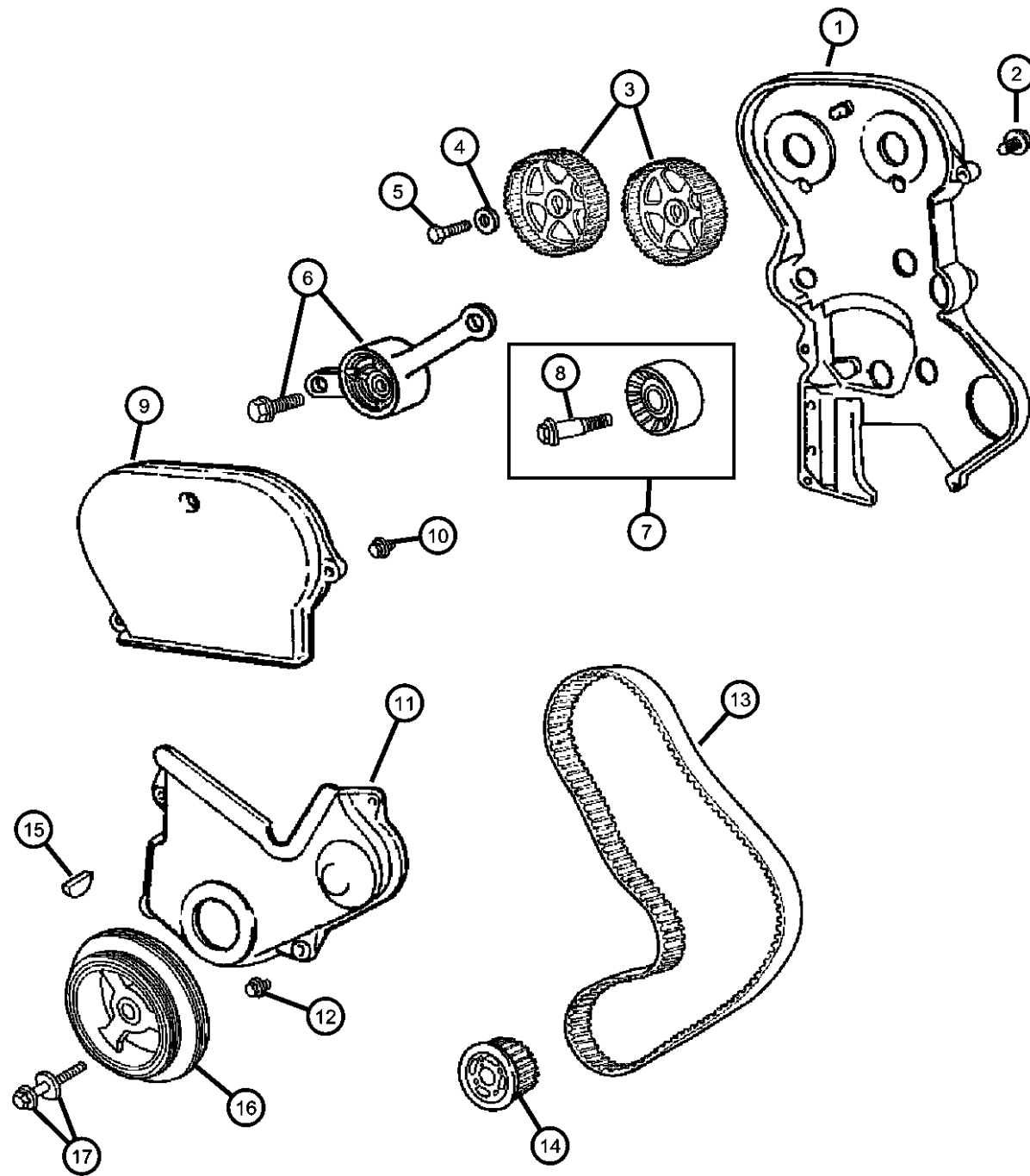
ENGINE
ED1 = Engine - 2.4L 4 Cyl
DOHC 16v SMPI
EKG = Engine - 3.7L V6
ENJ = Engine -2.5L 4 Cyl 16v
Turbo Diesel
ENR = Engine - 2.8L 4 Cyl
Turbo Diesel
ENO = 4Cyl Turbo Diesel
EKO = All 3.7L
ED0 = All 2.4L

TRANSMISSION
DDD = Transmission - 5-Speed HD
Manual
DDK = Transmission - 5-Speed HD
Manual
DG4 = Transmission-Multi-Speed
Auto, 45RFE
DG6 = Transmission-4-Spd.
Automatic, 42RLE
DGQ = Transmission-5-Spd Automatic
5-45RFE
DBB = All Manual Transmissions
DG0 = All Automatic Transmissions

AR = use ase required - = Non illustrated part

2004 KJ

**Timing Belt and Cover, 2.4L [ED1]
Figure 2.4L-610**



ITEM	PART NUMBER	QTY	LINE	SERIES	BODY	ENGINE	TRANS	TRIM	DESCRIPTION
Note; Sales Codes [ED0]= All 2.2L, 2.5L, 2.4L, 4 Cylinder Gas Engines									
1	53010482AC	1				ED0			COVER, Timing Belt, Inner
2	06502926	3				ED0			BOLT, Hex Flange Head, M6x1.0x20, Inner Cover Attach
3	04667609	2				ED0			GEAR, Camshaft
4	06503438	2				ED0			WASHER, Flared, 13x35.00x4.70
5	06501405	2				ED0			BOLT, Hex Head, M12x1.50x52
6	04781570AB	1				ED0			TENSIONER, Belt
7	04781569AB	1				ED0			PULLEY, Idler
8	06507550AA	1				ED0			BOLT, Idler Pulley attaching
9	53010483AB	1				ED0			COVER, Timing Belt, Outer
10	06101952	5				ED0			SCREW, Hex Flange Head Tapping, M4.8 x 1.59 x 25.00
11	53010484AB	1				ED0			COVER, Timing Belt, Outer, Lower
12	06101331	1				ED0			BOLT, M6x1.00x20
13	04621844	1				ED0			BELT, Timing
	TB000265								Mopar V-Line Alternative Part
14	04648939AA	1				ED0			GEAR, Crankshaft
15	06035473	1				ED0			KEY, Crankshaft Sprocket
16	53010477AA	1				ED0			DAMPER, Crankshaft
17	06503553	1				ED0			BOLT, Hex Flange Head, M12x1.75x87.50

LIBERTY (KJ)

SERIES

P = Limited
H = Sport
M = Renegade

LINE

J = LHD (4WD)
U = RHD (4WD)
T = LHD (2WD)

BODY

74 = 4 Door (104.3 WB)

ENGINE

ED1 = Engine - 2.4L 4 Cyl DOHC 16v SMPI
EKG = Engine - 3.7L V6
ENJ = Engine -2.5L 4 Cyl 16V Turbo Diesel
ENR = Engine - 2.8L 4 Cyl Turbo Diesel
ENO = 4Cyl Turbo Diesel
EKO = All 3.7L
ED0 = All 2.4L

TRANSMISSION

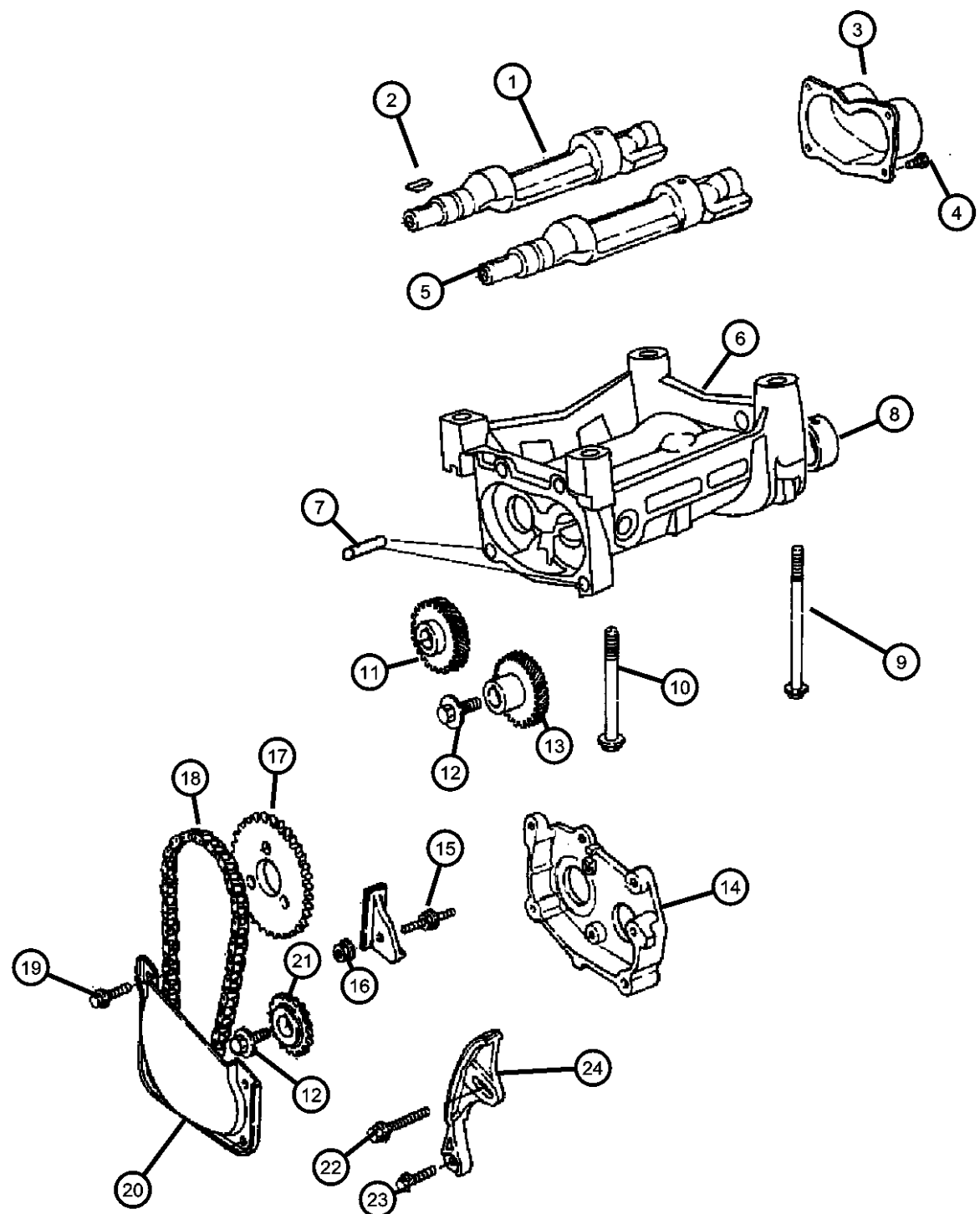
DDD = Transmission - 5-Speed HD Manual
DDK = Transmission - 5-Speed HD Manual
DG4 = Transmission-Multi-Speed Auto, 45RFE
DG6 = Transmission-4-Spd. Automatic, 42RLE
DGQ = Transmission-5-Spd Automatic 5-45RFE
DBB = All Manual Transmissions
DG0 = All Automatic Transmissions

AR = use ase required - = Non illustrated part

2004 KJ

**Balance Shafts, 2.4L [ED1]
Figure 2.4L-620**

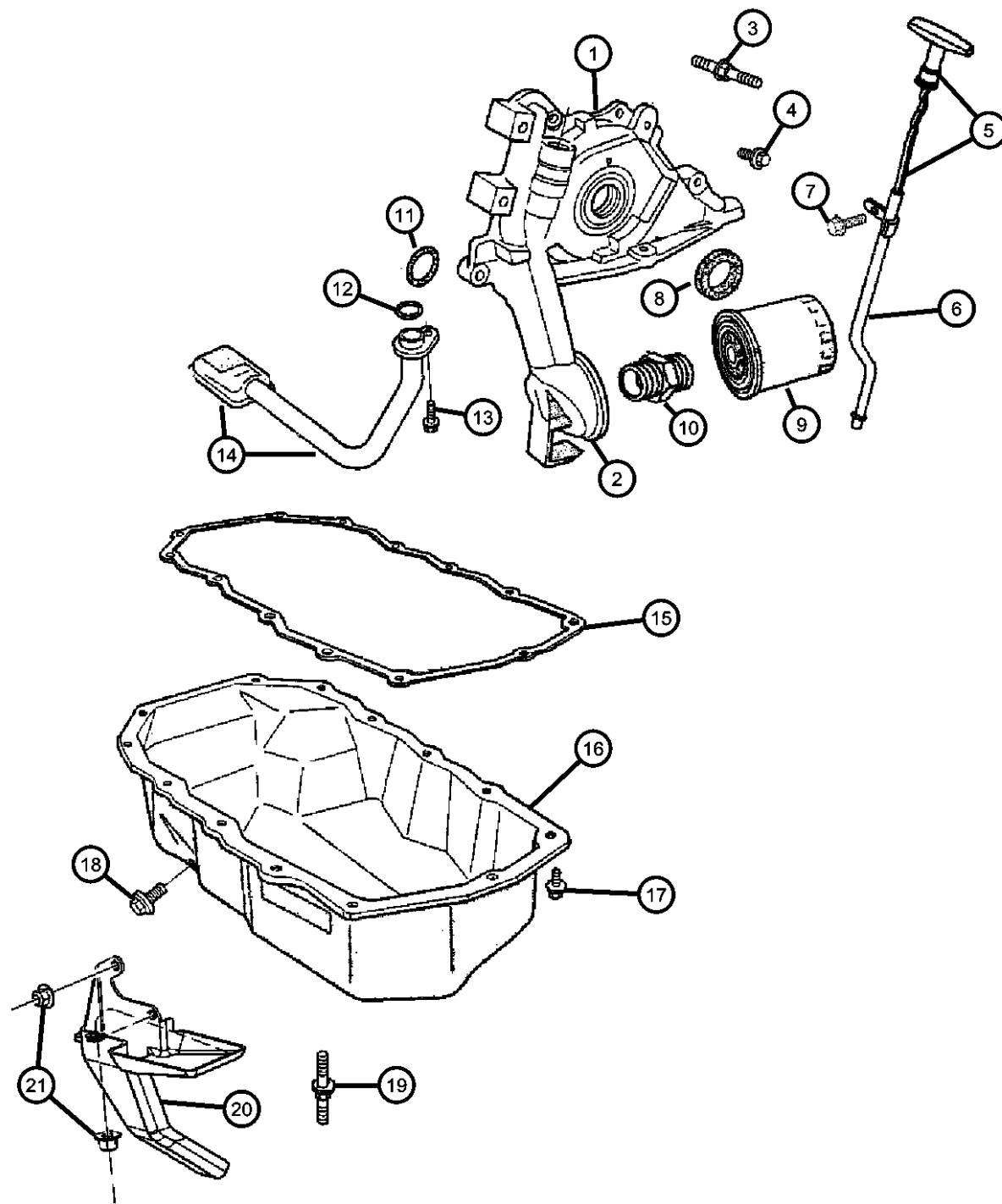
ITEM	PART NUMBER	QTY	LINE	SERIES	BODY	ENGINE	TRANS	TRIM	DESCRIPTION
Note; Sales Codes [ED0]= All 2.2L, 2.5L, 2.4L, 4 Cylinder Gas Engines									
1	04621517	1				ED0			SHAFT, Balance, Driver
2	06500150	2				ED0			KEY, Crankshaft Sprocket
3	04323043	1				ED0			COVER, Balance Shaft Carrier
4	06501714	4				ED0			SCREW AND WASHER, Hex Head, M6x1x18
5	04621518	1				ED0			SHAFT, Balance, Driver
6	04621519AC	1				ED0			CARRIER, Balance Shaft
7	05203466	2				ED0			PIN, DowelCarrier Attaching
8	05203466	2							BEARING, Balance Shaft, Sevised With Carrier, Item 6, (NOT SERVICED)
9	06504878AA	2				ED0			BOLT
10	06503389	2				ED0			BOLT, Hex Flange Head, M10x1.50x108
11	04621952	1				ED0			GEAR, Balance Shaft Driver
12	06501404	2				ED0			SCREW AND WASHER, Hex Head, M8x1.25x25
13	04621951	1				ED0			GEAR, Balance Shaft Driven
14	04323039	1				ED0			COVER, Balance Shaft Gear
15	06505188AA	1				ED0			STUD, M6x1.00x40.00
16	06100047	1				ED0			NUT AND WASHER, Hex Nut-Coned Washer, M6 x 1.00
17	04621541	1				ED0			GEAR, Crankshaft
18	04621996	1				ED0			CHAIN, Balance Shaft
19	06100271	2				ED0			BOLT AND CONED WASHER, Hex Head, M6x45x12.5
20	04323041AD	1				ED0			TROUGH, Carrier Cover
21	04483485	1				ED0			GEAR, Balance Shaft
22	06100279	1				ED0			SCREW AND WASHER, Hex Head, M6x1x35
23	06508008AA	1				ED0			SCREW, Hex Flange Head
24	04884473AA	1				ED0			TENSIONER, Chain



LIBERTY (KJ)				
SERIES	LINE	BODY	ENGINE	TRANSMISSION
P = Limited	J = LHD (4WD)	74 = 4 Door (104.3 WB)	ED1 = Engine - 2.4L 4 Cyl DOHC 16v SMPI	DDD = Transmission - 5-Speed HD Manual
H = Sport	U = RHD (4WD)		EKG = Engine - 3.7L V6	DDK = Transmission - 5-Speed HD Manual
M = Renegade	T = LHD (2WD)		ENJ = Engine -2.5L 4 Cyl 16V Turbo Diesel	DG4 = Transmission-Multi-Speed Auto, 45RFE
			ENR = Engine - 2.8L 4 Cyl Turbo Diesel	DG6 = Transmission-4-Spd. Automatic, 42RLE
			ENO = 4Cyl Turbo Diesel	DGQ = Transmission-5-Spd Automatic 5-45RFE
			EKO = All 3.7L	DBB = All Manual Transmissions
			ED0 = All 2.4L	DG0 = All Automatic Transmissions

AR = use ase required - = Non illustrated part

**Engine Oiling, 2.4L [ED1]
Figure 2.4L-710**



ITEM	PART NUMBER	QTY	LINE	SERIES	BODY	ENGINE	TRANS	TRIM	DESCRIPTION
Note; Sales Codes [ED0]= All 2.2L, 2.5L, 2.4L, 4 Cylinder Gas Engines									
1	53010487AA	1				ED0			PUMP, Engine Oil
2	53010534AA	1				ED0			ADAPTER, Oil Filter
3	06507335AA	3				ED0			STUD, Double Ended, Oil Pump to Adapter
4	06100296	3				ED0			BOLT, Hex Head
5	53010494AC	1				ED0			INDICATOR, Engine Oil Level
6	53010476AB	1				ED0			TUBE, Oil Filler
7	06505788AA	1				ED0			STUD
8	04667198	1				ED0			SEAL, Front Main Crankshaft
9	04105409	1				ED0			FILTER, Engine Oil
10	04694119	1				ED0			CONNECTOR, Oil Filter Adapter
11	04483444AB	3				ED0			O RING, Front Cover Oil Inlet
12	06032920	1				ED0			SEAL, Oil Pick Up Tube
13	06500070	1				ED0			SCREW AND WASHER, Hex Head, M8x1.25x25
14	53010488AA	1				ED0			TUBE, Oil Pickup
15	04621579	1				ED0			GASKET, Oil Pan
16	53010491AA	1				ED0			PAN, Engine Oil
17	06503969	11				ED0			BOLT, Hex Flange Head, M6x1.00x17
18	06035417	1				ED0			PLUG, Oil Drain
19	06502647	2				ED0			STUD, M6x1.00x44, Oil Pan mounting
20	53013550AA	1	J, T			ED0			GUARD, Splash
21	06505316AA	3	J, T			ED0			NUT

LIBERTY (KJ)

SERIES	LINE
P = Limited	J = LHD (4WD)
H = Sport	U = RHD (4WD)
M = Renegade	T = LHD (2WD)

BODY
74 = 4 Door (104.3 WB)

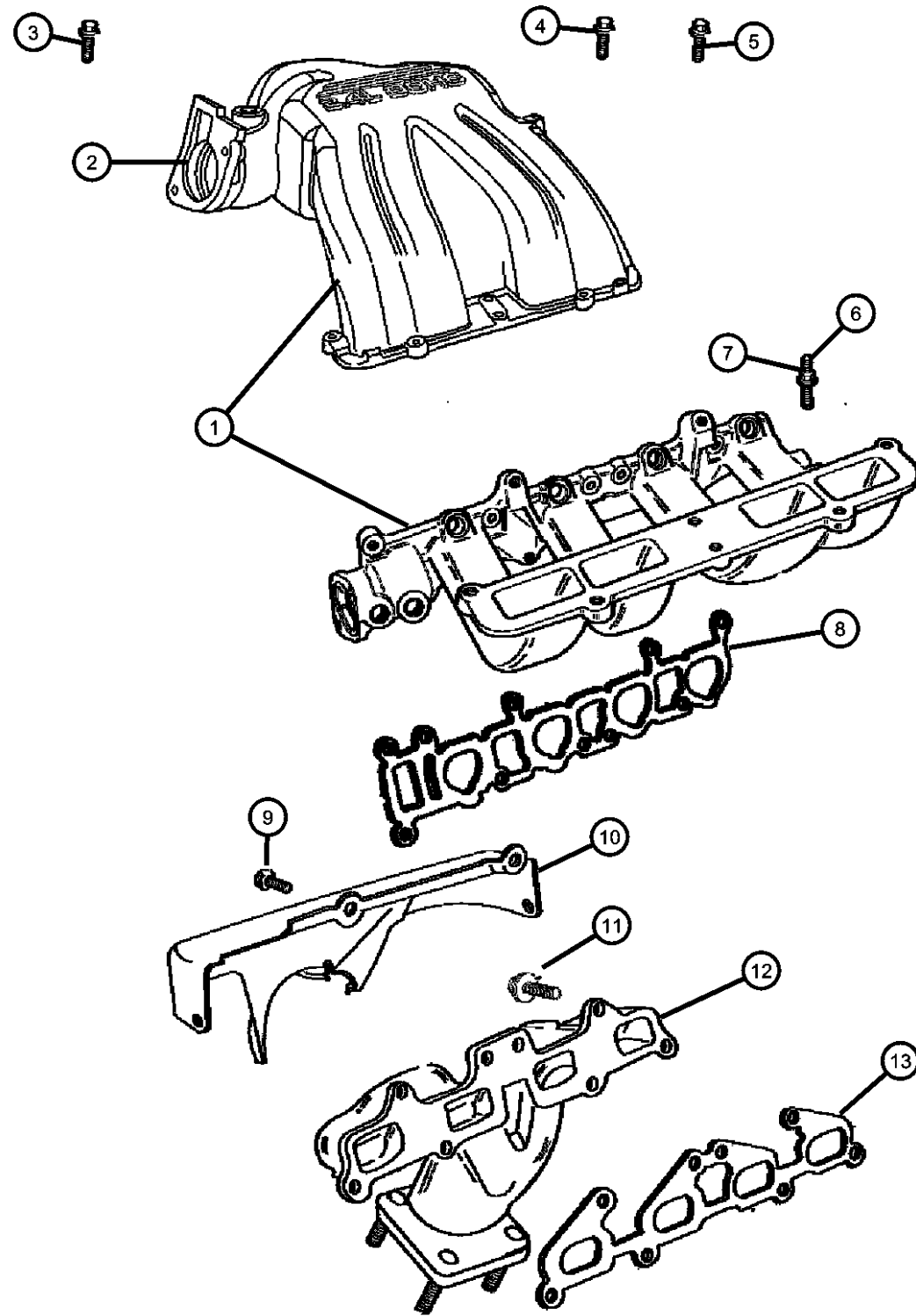
ENGINE
ED1 = Engine - 2.4L 4 Cyl DOHC 16v SMPI
EKG = Engine - 3.7L V6
ENJ = Engine -2.5L 4 Cyl 16v Turbo Diesel
ENR = Engine - 2.8L 4 Cyl Turbo Diesel
ENO = 4Cyl Turbo Diesel
EKO = All 3.7L
ED0 = All 2.4L

TRANSMISSION
DDD = Transmission - 5-Speed HD Manual
DDK = Transmission - 5-Speed HD Manual
DG4 = Transmission-Multi-Speed Auto, 45RFE
DG6 = Transmission-4-Spd. Automatic, 42RLE
DGQ = Transmission-5-Spd Automatic 5-45RFE
DBB = All Manual Transmissions
DG0 = All Automatic Transmissions

AR = use ase required - = Non illustrated part

2004 KJ

**Intake and Exhaust Manifolds, 2.4L [ED1]
Figure 2.4L-810**



ITEM	PART NUMBER	QTY	LINE	SERIES	BODY	ENGINE	TRANS	TRIM	DESCRIPTION
1	04884485AA	1				ED0			MANIFOLD, Intake
2	04884486AA	1				ED0			GASKET, Throttle Body To Intake
3	06101451	3				ED0			SCREW AND WASHER, Hex Head, M6x1x25
4	06102192AA	1				ED0			SCREW, Intake Manifold
5	06101506	2				ED0			BOLT AND CONED WASHER, M8x1.25x18
6	06506770AA	5				ED0			SCREW
7	06506770AA	5							NUT, Lock, (NOT REQUIRED)
8	53013534AA	4				ED0			GASKET, Intake Manifold
9	06506663AA	3				ED0			SCREW, Hex Flange Head, M8x1.25x11
10	53013264AA	1				ED0			SHIELD, Exhaust Manifold
11	06503131	10				ED0			BOLT, Hex Flange Head, M8x1.25x30
12	53013263AB	1				ED0			MANIFOLD, Exhaust
13	04781255AA	1				ED0			GASKET, Exhaust Manifold

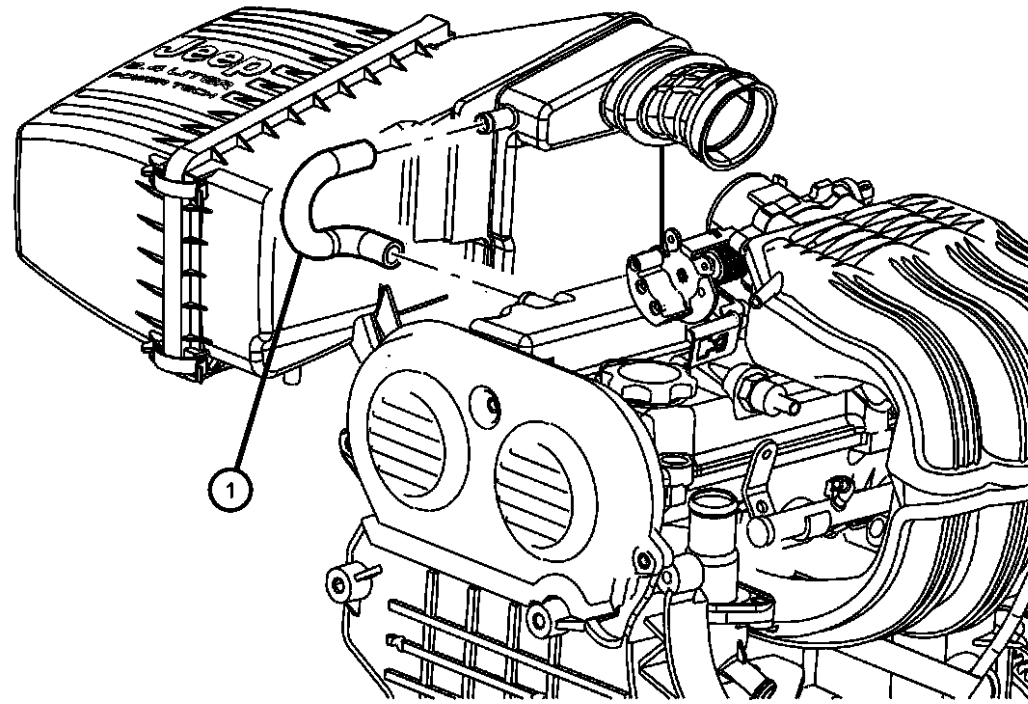
Note; Sales Codes
[ED0]= All 2.2L, 2.5L, 2.4L, 4 Cylinder Gas Engines

LIBERTY (KJ)				
SERIES	LINE	BODY	ENGINE	TRANSMISSION
P = Limited	J = LHD (4WD)	74 = 4 Door (104.3 WB)	ED1 = Engine - 2.4L 4 Cyl DOHC 16v SMPI	DDD = Transmission - 5-Speed HD Manual
H = Sport	U = RHD (4WD)		EKG = Engine - 3.7L V6	DDK = Transmission - 5-Speed HD Manual
M = Renegade	T = LHD (2WD)		ENJ = Engine -2.5L 4 Cyl 16V Turbo Diesel	DG4 = Transmission-Multi-Speed Auto, 45RFE
			ENR = Engine - 2.8L 4 Cyl Turbo Diesel	DG6 = Transmission-4-Spd. Automatic, 42RLE
			ENO = 4Cyl Turbo Diesel	DGQ = Transmission-5-Spd Automatic 5-45RFE
			EK0 = All 3.7L	DBB = All Manual Transmissions
			ED0 = All 2.4L	DG0 = All Automatic Transmissions

AR = use ase required - = Non illustrated part

**Crankcase Ventilation , 2.4L [ED1]
Figure 2.4L-910**

ITEM	PART NUMBER	QTY	LINE	SERIES	BODY	ENGINE	TRANS	TRIM	DESCRIPTION
Note; Sales Codes [ED0]= All 2.2L, 2.5L, 2.4L, 4 Cylinder Gas Engines									
1	53013093AA	1				ED0			TUBE, Crankcase Vent To Air Cleaner
-2	04777240AD	1				ED0			VALVE, PCV, Threaded Style
-3	53013231AA	1				ED0			HARNASS, CCV to Intake Manifold



LIBERTY (KJ)

SERIES	LINE
P = Limited	J = LHD (4WD)
H = Sport	U = RHD (4WD)
M = Renegade	T = LHD (2WD)

BODY
74 = 4 Door (104.3 WB)

ENGINE
ED1 = Engine - 2.4L 4 Cyl DOHC 16v SMPI
EKG = Engine - 3.7L V6
ENJ = Engine -2.5L 4 Cyl 16V Turbo Diesel
ENR = Engine - 2.8L 4 Cyl Turbo Diesel
ENO = 4Cyl Turbo Diesel
EK0 = All 3.7L
ED0 = All 2.4L

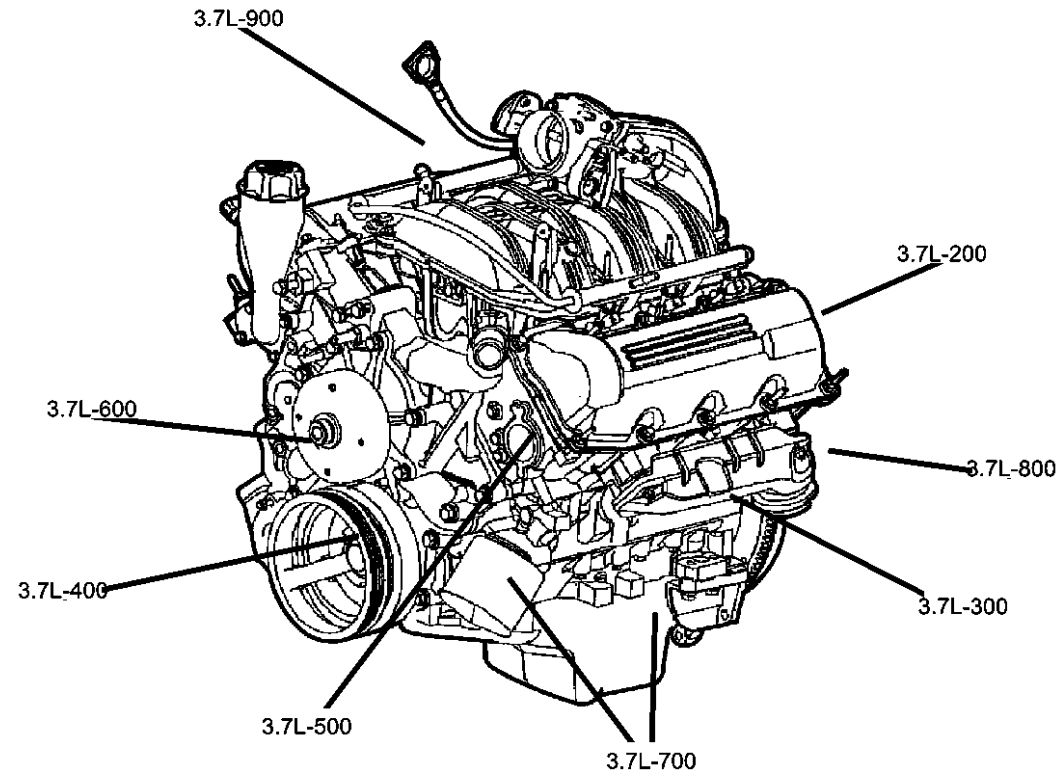
TRANSMISSION
DDD = Transmission - 5-Speed HD Manual
DDK = Transmission - 5-Speed HD Manual
DG4 = Transmission-Multi-Speed Auto, 45RFE
DG6 = Transmission-4-Spd. Automatic, 42RLE
DGQ = Transmission-5-Spd Automatic 5-45RFE
DBB = All Manual Transmissions
DG0 = All Automatic Transmissions

AR = use ase required - = Non illustrated part

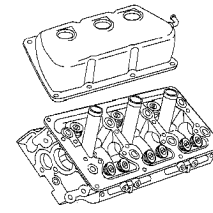
2004 KJ

Group - 3.7L

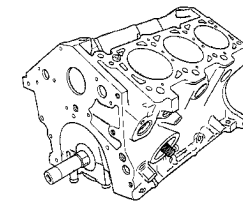
Engine 3.7L Six Cylinder



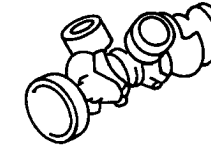
3.7L-200
Cylinder Head



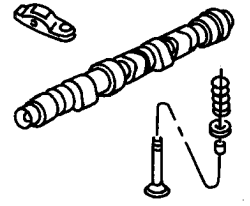
3.7L-300
Cylinder Block



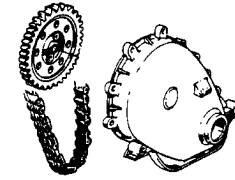
3.7L-400
Crankshaft, Piston and Torque Converter



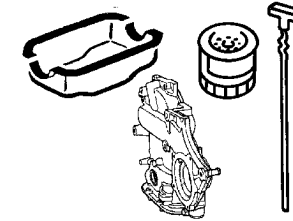
3.7L-500
Camshafts & Valves



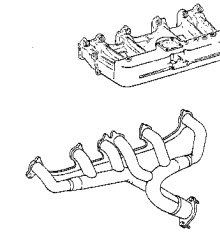
3.7L-600
Timing Belt and Cover



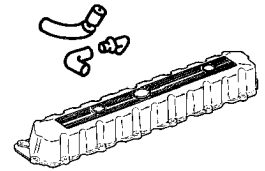
3.7L-700
Engine Oiling



3.7L-800
Manifolds



3.7L-900
Crankcase Ventilation



Group - 3.7L Engine 3.7L Six Cylinder

Illustration Title	Group-Fig. No.
Cylinder Head	
Cylinder Head 3.7L [EKG]	Fig. 3.7L - 210
Cylinder Block	
Cylinder Block, 3.7L [EKG]	Fig. 3.7L - 310
Crankshaft, Piston and Torque Converter	
Crankshaft, Pistons and Flywheel, 3.7L [EKG]	Fig. 3.7L - 410
Camshafts & Valves	
Camshaft And Valve, 3.7L [EKG]	Fig. 3.7L - 510
Timing Belt and Cover	
Timing Cover, 3.7L [EKG]	Fig. 3.7L - 610
Timing Chain and Guides, 3.7L [EKG]	Fig. 3.7L - 620
Engine Oiling	
Engine Oiling, 3.7L [EKG]	Fig. 3.7L - 710
Manifolds	
Manifolds, Intake and Exhaust, 3.7L [EKG]	Fig. 3.7L - 810
Crankcase Ventilation	
Crankcase Ventilation, 3.7L [EKG]	Fig. 3.7L - 910

**Cylinder Head 3.7L [EKG]
Figure 3.7L-210**

ITEM	PART NUMBER	QTY	LINE	SERIES	BODY	ENGINE	TRANS	TRIM	DESCRIPTION
------	-------------	-----	------	--------	------	--------	-------	------	-------------

NOTES: Upper Gasket Package Contains: Cylinder Head and Cylinder Head Cover Gaskets, Intake and Exhaust Manifold Gaskets, Throttle Body Sales Codes
[EKG] = All 3.7L 6 Cylinder Gas Engines

-1									GASKET PACKAGE, Engine Upper, See Notes
	05135792AA	1				EK0	DBB		
		1				EK0	DG0		
2	53020987AB R5637022	1				EK0			HEAD, Cylinder, Left Mopar Reman 3.7L Head w/Valves, Springs, Gasket (EKG) - Left
3	53020988AB R6637022	1				EK0			HEAD, Cylinder, Right Mopar Reman 3.7L Head w/Valves, Springs, Gasket (EKG) - Right
4	06506785AA	8				EK0			SCREW AND WASHER, Hex Head
5	06505528AA	16				EK0			SCREW AND WASHER, Hex Head
6	53020989	2				EK0			GASKET, Cylinder Head, Left and Right
7	05240849	4				EK0			DOWEL, Block To Clutch Housing
8									GASKET, Valve Cover
	53020991	1				EK0			Left
	53020992	1				EK0			Right
9	53020995	1				EK0			COVER, Cylinder Head, Left
10	53020996	1				EK0			COVER, Cylinder Head, Right
11									SCREW
	53021309AA	5				EK0			Left
		4				EK0			Right
12		4							STUD, Serviced With Valve Cover, (NOT SERVICED)
13	04556020	2				EK0			PLUG, Core, 1.25 Diameter, Water Jacket Core
14	06036307AA	1				EK0			PLUG, Oil Gallery .25-18x.413, Rear of Head
15	06036308AA	2				EK0			PLUG, [.375-18x.475], Water Jacket Vent

LIBERTY (KJ)

SERIES LINE
P = Limited J = LHD (4WD)
H = Sport U = RHD (4WD)
M = Renegade T = LHD (2WD)

BODY
74 = 4 Door (104.3 WB)

ENGINE
ED1 = Engine - 2.4L 4 Cyl DOHC 16v SMPI
EKG = Engine - 3.7L V6
ENJ = Engine -2.5L 4 Cyl 16v Turbo Diesel
ENR = Engine - 2.8L 4 Cyl Turbo Diesel
ENO = 4Cyl Turbo Diesel
EKO = All 3.7L
EDO = All 2.4L

TRANSMISSION
DDD = Transmission - 5-Speed HD Manual
DDK = Transmission - 5-Speed HD Manual
DG4 = Transmission-Multi-Speed Auto, 45RFE
DG6 = Transmission-4-Spd. Automatic, 42RLE
DGQ = Transmission-5-Spd Automatic 5-45RFE
DBB = All Manual Transmissions
DG0 = All Automatic Transmissions

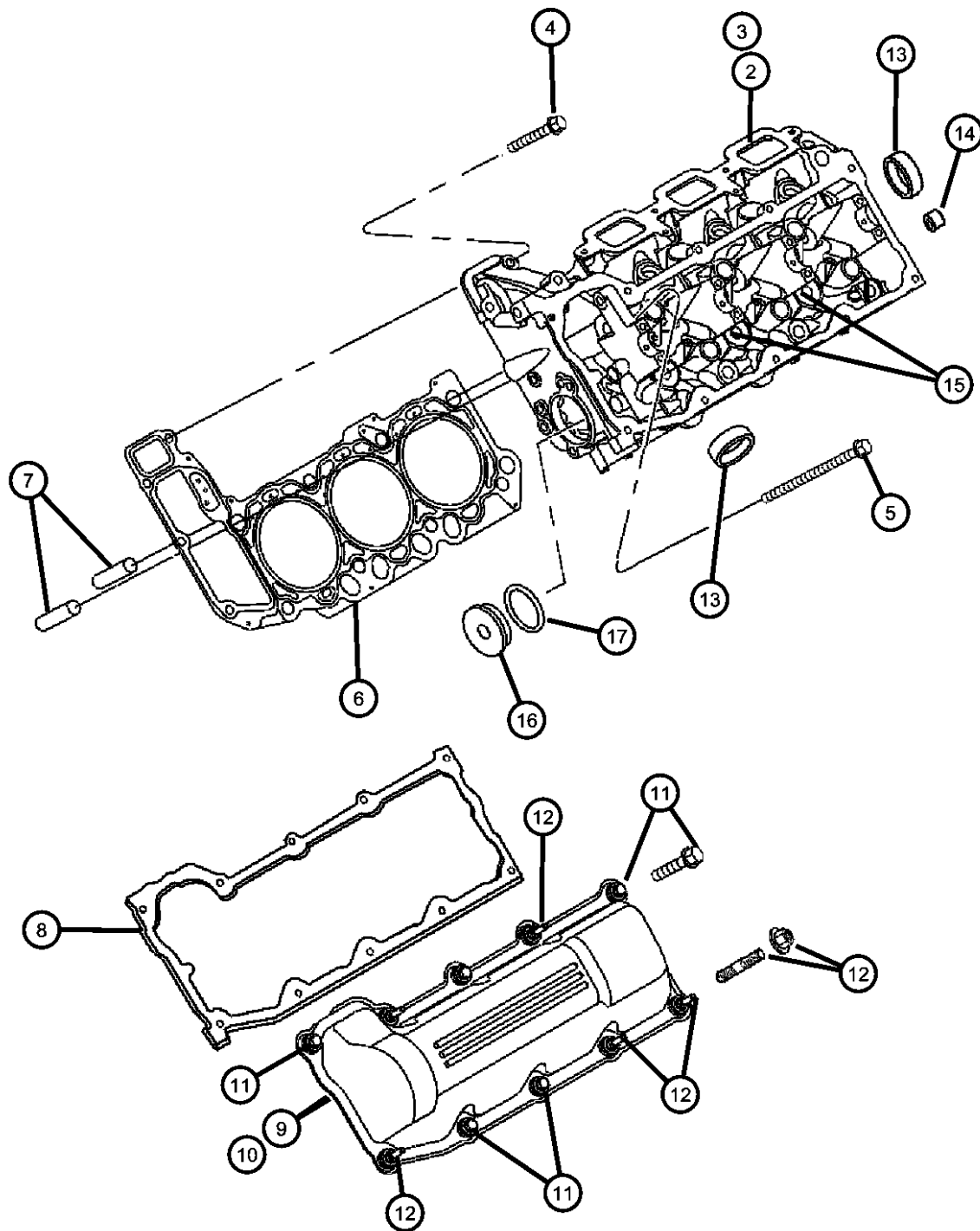
AR = use ase required - = Non illustrated part

2004 KJ

**Cylinder Head 3.7L [EKG]
Figure 3.7L-210**

ITEM	PART NUMBER	QTY	LINE	SERIES	BODY	ENGINE	TRANS	TRIM	DESCRIPTION
------	-------------	-----	------	--------	------	--------	-------	------	-------------

16	53021031	1				EK0			PLUG, Access Hole
17	53021032	1				EK0			O RING



LIBERTY (KJ)

SERIES	LINE
P = Limited	J = LHD (4WD)
H = Sport	U = RHD (4WD)
M = Renegade	T = LHD (2WD)

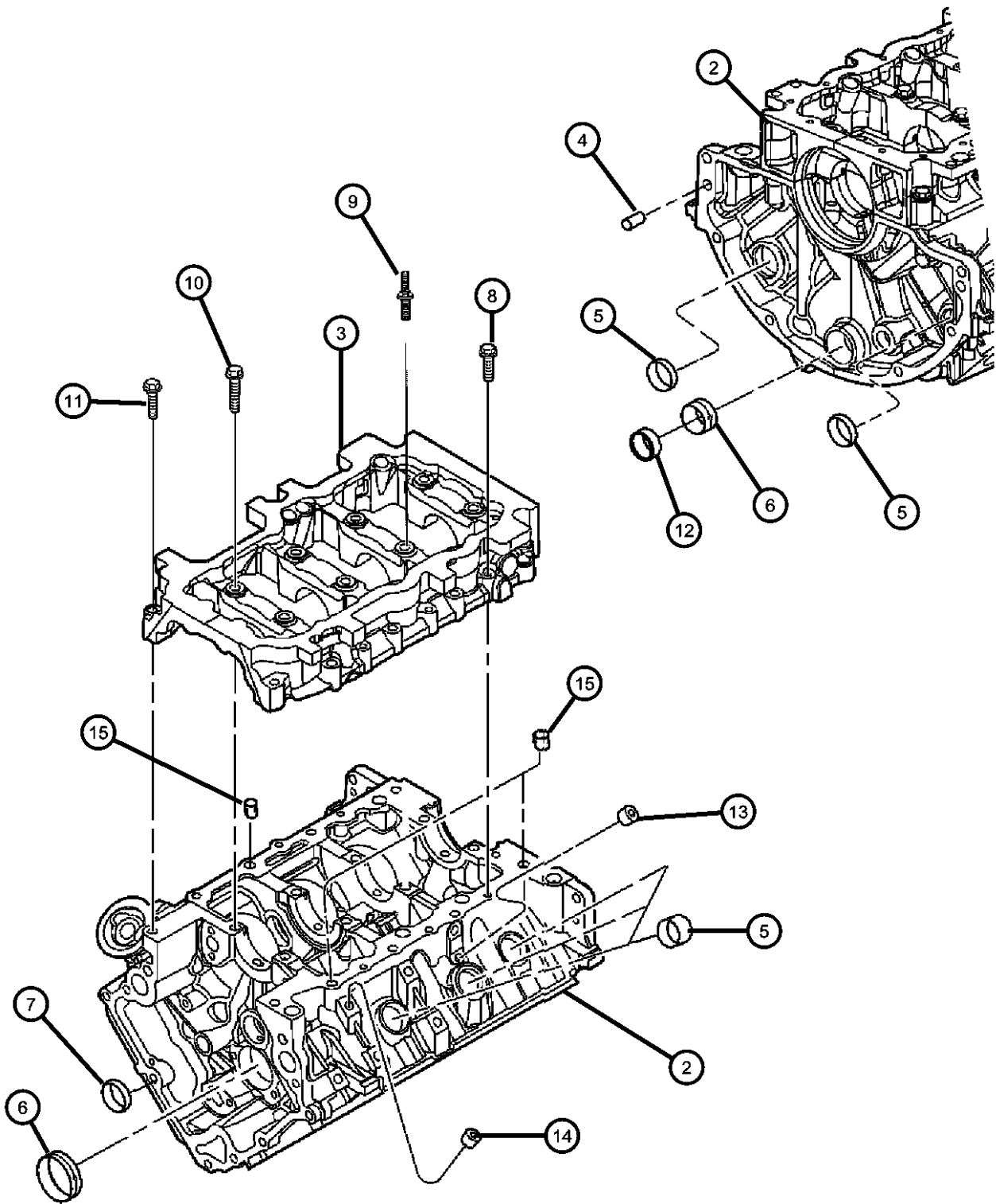
BODY
74 = 4 Door (104.3 WB)

ENGINE
ED1 = Engine - 2.4L 4 Cyl DOHC 16v SMPI
EKG = Engine - 3.7L V6
ENJ = Engine -2.5L 4 Cyl 16V Turbo Diesel
ENR = Engine - 2.8L 4 Cyl Turbo Diesel
ENO = 4Cyl Turbo Diesel
EK0 = All 3.7L
ED0 = All 2.4L

TRANSMISSION
DDD = Transmission - 5-Speed HD Manual
DDK = Transmission - 5-Speed HD Manual
DG4 = Transmission-Multi-Speed Auto, 45RFE
DG6 = Transmission-4-Spd. Automatic, 42RLE
DGQ = Transmission-5-Spd Automatic 5-45RFE
DBB = All Manual Transmissions
DG0 = All Automatic Transmissions

AR = use ase required - = Non illustrated part

**Cylinder Block, 3.7L [EKG]
Figure 3.7L-310**



ITEM	PART NUMBER	QTY	LINE	SERIES	BODY	ENGINE	TRANS	TRIM	DESCRIPTION
------	-------------	-----	------	--------	------	--------	-------	------	-------------

NOTES: Lower Gasket Package contains: Front and Rear Crankshaft Seals, Oil Pick Up Tube Seal; Oil Pan, Chain Case and Water Pump Gaskets
Sales Codes
[EK0] = All 3.7L 6 Cylinder Gas Engines

-1									GASKET PACKAGE, Engine Lower, See Notes
	05135793AA	1				EK0	DBB		
		1				EK0	DG0		
2	05103475AA	1				EK0			BLOCK, Short
	R2637044								Mopar Reman Long Block w/Head(s) 2004 Only
	04761838AB								Mopar 5W-30 Engine Oil Quart
	04761844AC								Mopar 5W-30 Engine Oil Gallon
	P5007323								Performance Mobil 1, 5W - 30 Tri-Synthetic Engine Oil, Quart
3	05103475AA	1							BEDPLATE, Serviced With Short Block, (NOT SERVICED)
4	01122532	2				EK0			DOWEL, Block To Clutch Housing
5	06034804	8				EK0			PLUG, Core, 1.39 Diameter
6	06034804	8							BUSHING, Balance Shaft, Serviced In Short Block Only, (NOT SERVICED)
7	06034804	8				EK0			PLUG, Core, 1.39 Diameter
8	06102156AA	5				EK0			SCREW, Hex Flange Head, M8x1.25x44
9	06506187AA	2				EK0			STUD
10	06505394AA	6				EK0			SCREW AND WASHER
11	06504410	7				EK0			SCREW, Hex Head
12	04663942	1				EK0			PLUG, Core, 1.50 Diameter
13	06036307AA	3				EK0			PLUG, Cylinder Block Coolant Drain, [.250-18x.413]
14	06036114AA	4				EK0			PLUG, Pipe, Cylinder Block Oil Hole, [.500-14x.560]
15	53010533AA	5				EK0			DOWEL

LIBERTY (KJ)

SERIES	LINE
P = Limited	J = LHD (4WD)
H = Sport	U = RHD (4WD)
M = Renegade	T = LHD (2WD)

BODY
74 = 4 Door (104.3 WB)

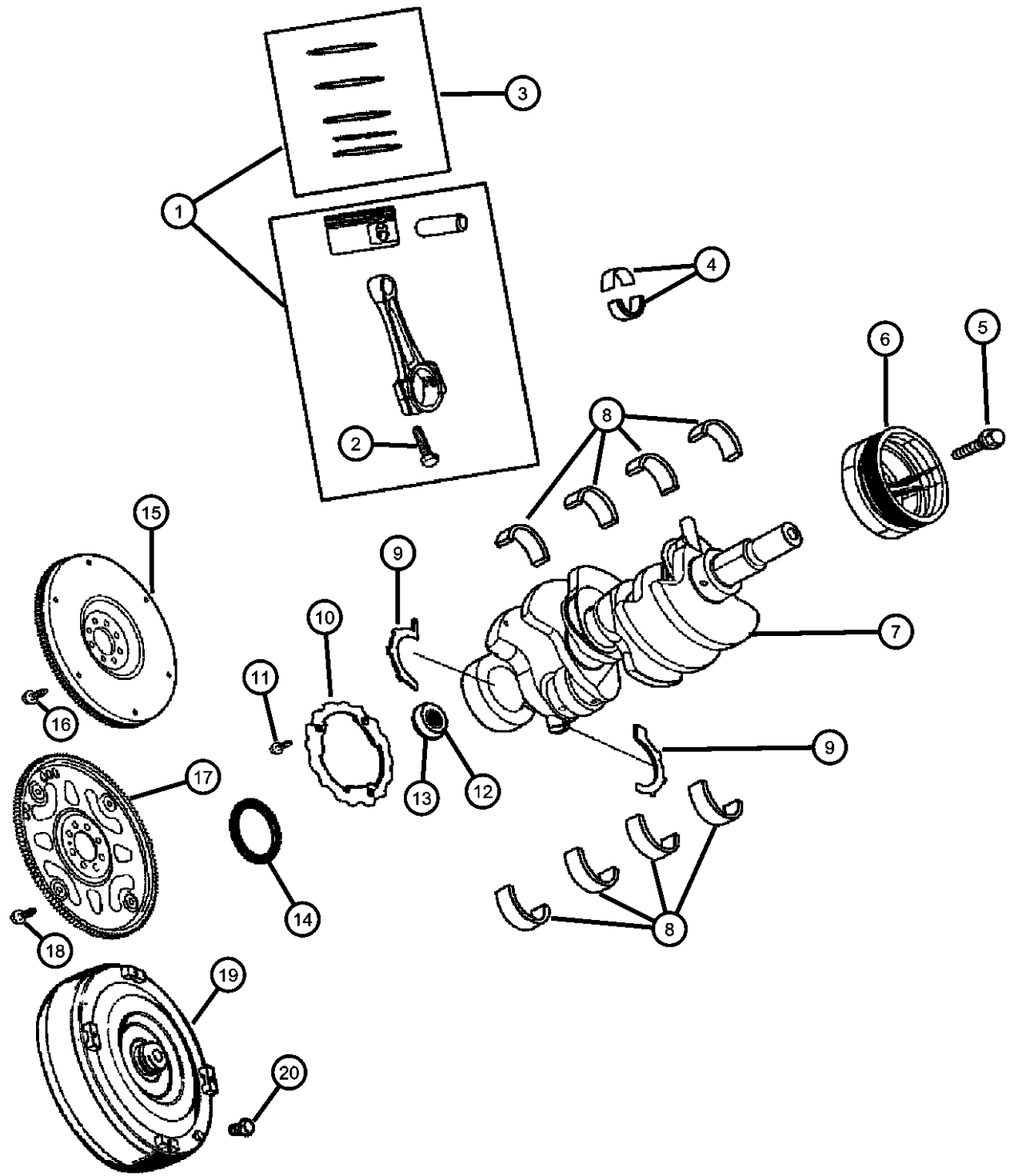
ENGINE
ED1 = Engine - 2.4L 4 Cyl DOHC 16v SMPI
EKG = Engine - 3.7L V6
ENJ = Engine -2.5L 4 Cyl 16v Turbo Diesel
ENR = Engine - 2.8L 4 Cyl Turbo Diesel
ENO = 4Cyl Turbo Diesel
EK0 = All 3.7L
ED0 = All 2.4L

TRANSMISSION
DDD = Transmission - 5-Speed HD Manual
DDK = Transmission - 5-Speed HD Manual
DG4 = Transmission-Multi-Speed Auto, 45RFE
DG6 = Transmission-4-Spd. Automatic, 42RLE
DGQ = Transmission-5-Spd Automatic 5-45RFE
DBB = All Manual Transmissions
DG0 = All Automatic Transmissions

AR = use ase required - = Non illustrated part

2004 KJ

**Crankshaft, Pistons and Flywheel, 3.7L [EKG]
Figure 3.7L-410**



ITEM	PART NUMBER	QTY	LINE	SERIES	BODY	ENGINE	TRANS	TRIM	DESCRIPTION
------	-------------	-----	------	--------	------	--------	-------	------	-------------

NOTES: For Crankshaft Identification, Stamping Location and Bearing Information Refer to the Service Manual

Sales Codes:

[DBB] = All Manual Transmissions

[DG0] = All Automatic Transmissions

[EK0] = All 3.7L 6 Cylinder Gas Engines

1	05019316AA	6				EK0			PISTON PIN AND ROD, STD
2	06504720	12				EK0			BOLT, Connecting Rod
3	05012364AC	6				EK0			RING PACKAGE, Piston, Standard Size
4	05019447AA	12				EK0			BEARING PACKAGE, Connecting Rod, Standard
5	06504415	1				EK0			SCREW AND WASHER
6	53020689AB	1				EK0			DAMPER, Crankshaft
7	53020959AB	1				EK0			CRANKSHAFT
8									BEARING PACKAGE, Crankshaft, A Grade
	05066740AA	2				EK0			[U] Crankshaft, Mains 2 and 3
	05066733AA	2				EK0			[R] Crankshaft, Mains 1 and 4
	05066734AA	2				EK0			[R] Crankshaft, Mains 2 and 3
	05066735AA	2				EK0			[S] Crankshaft, Mains 1 and 4
	05066736AA	2				EK0			[S] Crankshaft, Mains 2 and 3
	05066737AA	2				EK0			[T] Crankshaft, Mains 1 and 4
	05066738AA	2				EK0			[T] Crankshaft, Mains 2 and 3
	05066739AA	2				EK0			[U] Crankshaft, Mains 1 and 4
9	05012356AB	1				EK0			WASHER PACKAGE, Washer, Thrust
10	05012356AB	1							RING, Tone, Serviced with Crankshaft, (NOT SERVICED)
11	06504480	3				EK0			SCREW, M6x1x25
12	53009180AB	1				EK0	DBB		BEARING, Pilot
13	04736204AB	1				EK0	DG6		SLEEVE, Crankshaft Pilot
14	53020788	1				EK0			SEAL, Crankshaft Bearing Oil
15	53021280AA	1				EK0	DBB		FLYWHEEL
16	06504398	8				EK0	DBB		SCREW

LIBERTY (KJ)

SERIES

P = Limited

H = Sport

M = Renegade

LINE

J = LHD (4WD)

U = RHD (4WD)

T = LHD (2WD)

BODY

74 = 4 Door (104.3 WB)

ENGINE

ED1 = Engine - 2.4L 4 Cyl

DOHC 16v SMPI

EKG = Engine - 3.7L V6

ENJ = Engine -2.5L 4 Cyl 16V

Turbo Diesel

ENR = Engine - 2.8L 4 Cyl

Turbo Diesel

ENO = 4Cyl Turbo Diesel

EK0 = All 3.7L

ED0 = All 2.4L

TRANSMISSION

DDD = Transmission - 5-Speed HD

Manual

DDK = Transmission - 5-Speed HD

Manual

DG4 = Transmission-Multi-Speed

Auto, 45RFE

DG6 = Transmission-4-Spd.

Automatic, 42RLE

DGQ = Transmission-5-Spd Automatic

5-45RFE

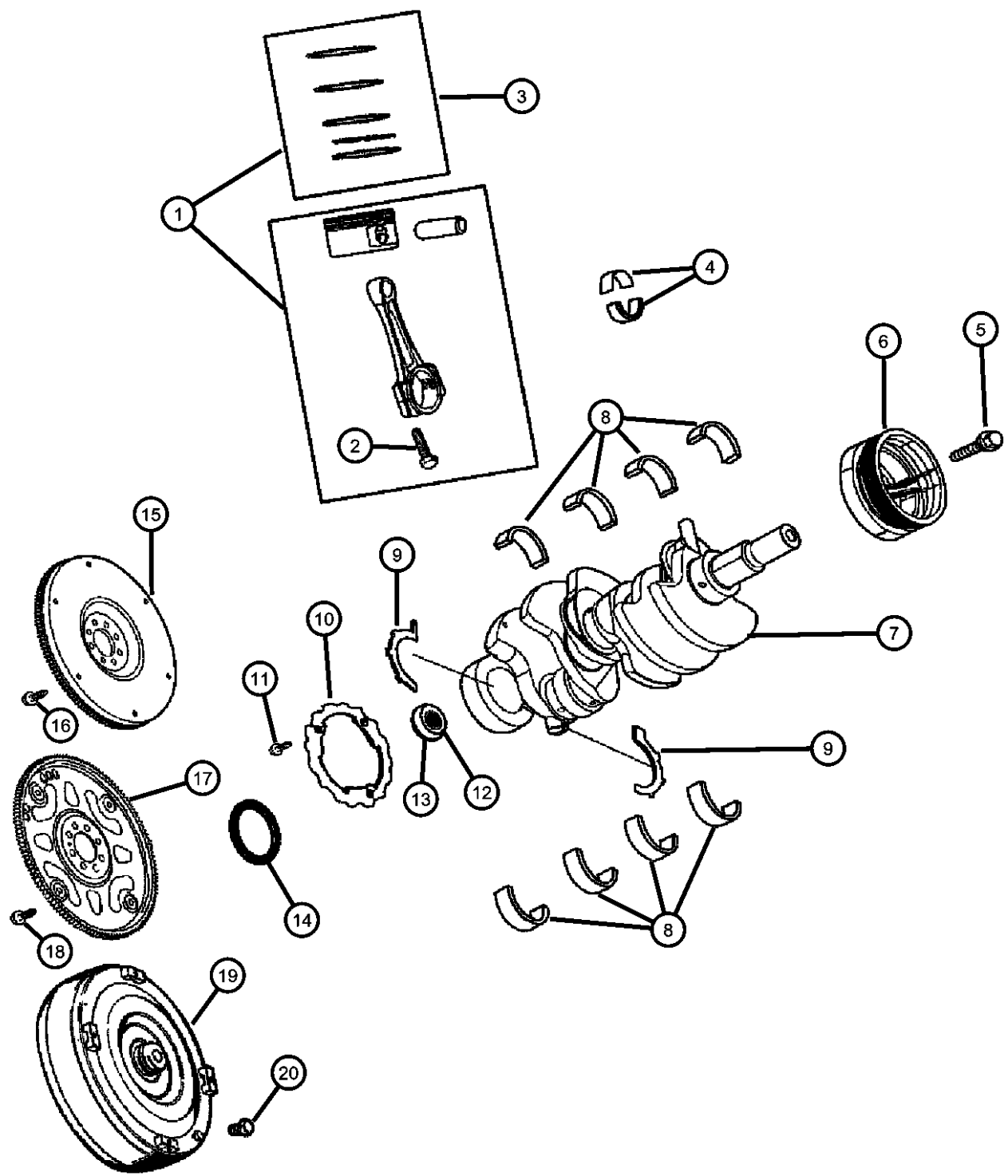
DBB = All Manual Transmissions

DG0 = All Automatic Transmissions

AR = use ase required - = Non illustrated part

2004 KJ

**Crankshaft, Pistons and Flywheel, 3.7L [EKG]
Figure 3.7L-410**

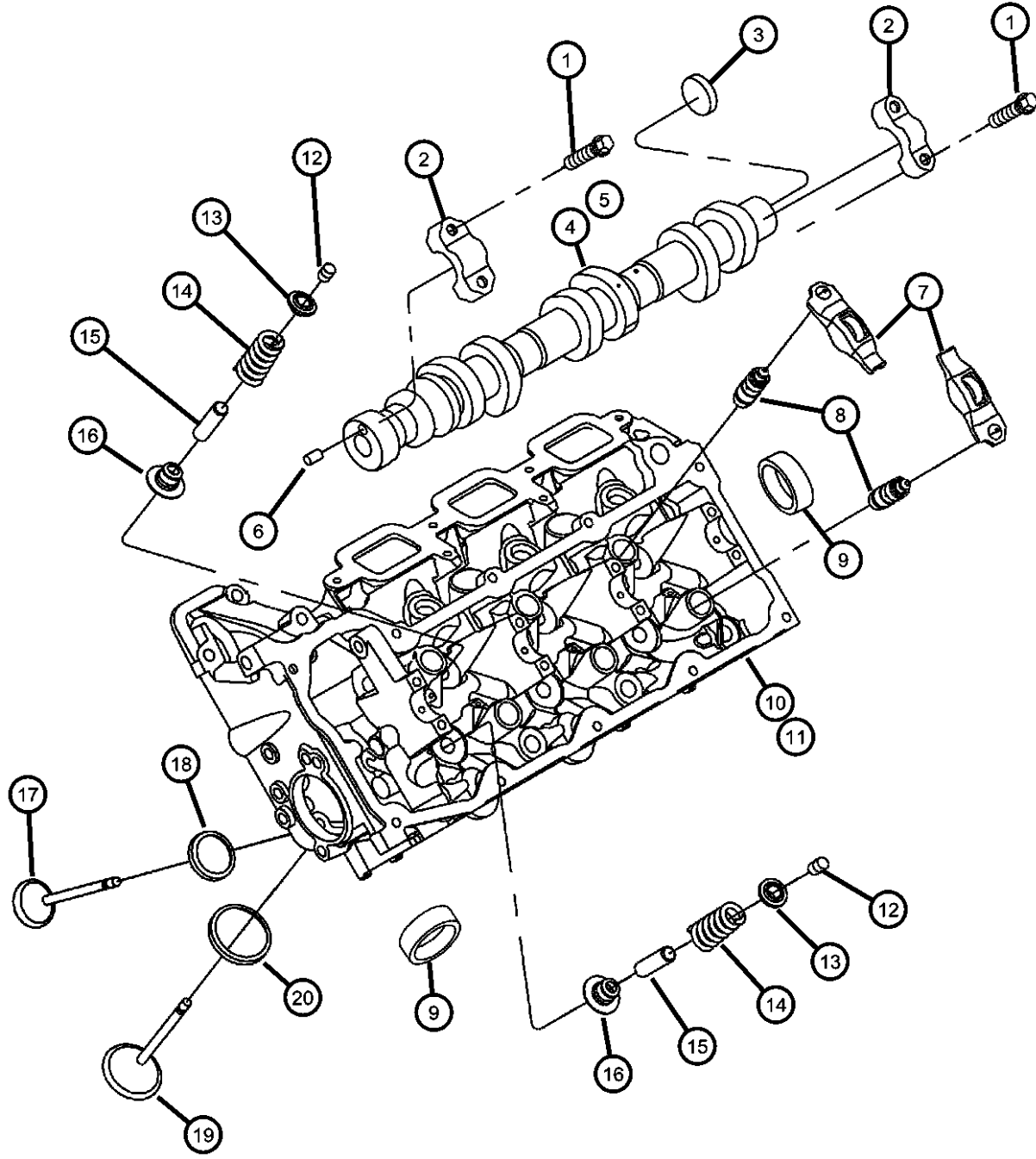


ITEM	PART NUMBER	QTY	LINE	SERIES	BODY	ENGINE	TRANS	TRIM	DESCRIPTION
17	04736253AA	1				EK0	DG6		PLATE, Torque Converter Drive
18	06503465	8				EK0	DG0		BOLT, Drive Plate and Flywheel
19	05093944AA	1	T				DG6		CONVERTER PACKAGE, Torque
		1	J, U				DG6		
20	01949765	4					DG4		SCREW, Hex Head Header Point, .312-24x.44, Driveplate to Conv

LIBERTY (KJ)				
SERIES	LINE	BODY	ENGINE	TRANSMISSION
P = Limited	J = LHD (4WD)	74 = 4 Door (104.3 WB)	ED1 = Engine - 2.4L 4 Cyl DOHC 16v SMPI	DDD = Transmission - 5-Speed HD Manual
H = Sport	U = RHD (4WD)		EKG = Engine - 3.7L V6	DDK = Transmission - 5-Speed HD Manual
M = Renegade	T = LHD (2WD)		ENJ = Engine -2.5L 4 Cyl 16V Turbo Diesel	DG4 = Transmission-Multi-Speed Auto, 45RFE
			ENR = Engine - 2.8L 4 Cyl Turbo Diesel	DG6 = Transmission-4-Spd. Automatic, 42RLE
			ENO = 4Cyl Turbo Diesel	DGQ = Transmission-5-Spd Automatic 5-45RFE
			EK0 = All 3.7L	DBB = All Manual Transmissions
			ED0 = All 2.4L	DG0 = All Automatic Transmissions

AR = use ase required - = Non illustrated part

**Camshaft And Valve, 3.7L [EKG]
Figure 3.7L-510**



ITEM	PART NUMBER	QTY	LINE	SERIES	BODY	ENGINE	TRANS	TRIM	DESCRIPTION
------	-------------	-----	------	--------	------	--------	-------	------	-------------

NOTES:
Sales Codes
[EK0] = All 3.7L 6 Cylinder Gas Engines

1	06505034AA	8				EK0			SCREW, M6x1x40
2	06505034AA	8							CAP, Serviced With Head Only, (NOT SERVICED)
3	06036473AA	1				EK0			WASHER
4	53021203AB	1				EK0			CAMSHAFT, Engine, Left
5	53021204AB	1				EK0			CAMSHAFT, Engine, Right
6	06100902	1				EK0			DOWEL, M6x14
7	53021913AA	12				EK0			ROCKER ARM, Valve
8	53021077	12				EK0			ADJUSTER, Valve Lash
9	04556020	2				EK0			PLUG, Core, 1.25 Diameter
10	53020987AB	1				EK0			HEAD, Cylinder, Left
	R5637022								Mopar Reman 3.7L Head w/Valves, Springs, Gasket (EKG) - Left
11	53020988AB	1				EK0			HEAD, Cylinder, Right
	R6637022								Mopar Reman 3.7L Head w/Valves, Springs, Gasket (EKG) - Right
12	04536513AB	24				EK0			LOCK, Valve Spring Retainer
13	04781090AA	12				EK0			RETAINER, Valve Spring
14									SPRING, Valve
	53021775AA	6				EK0			Intake
	53021873AA	6				EK0			Exhaust
15	53021873AA	6							INSERT, Valve Guide, Serviced With Head Only, (NOT SERVICED)
16	53020752AD	12				EK0			SEAL, Valve Guide
17	53021916AA	6				EK0			VALVE, Exhaust, Standard
18	53021916AA	6							SEAT, Exhaust Valve, Serviced With Head Only, (NOT SERVICED)
19	53020747AB	6				EK0			VALVE, Intake, Standard
20	53020747AB	6							SEAT, Intake Valve, Serviced With Head Only, (NOT SERVICED)

LIBERTY (KJ)		BODY	ENGINE	TRANSMISSION
SERIES	LINE	74 = 4 Door (104.3 WB)	ED1 = Engine - 2.4L 4 Cyl DOHC 16v SMPI EKG = Engine - 3.7L V6 ENJ = Engine -2.5L 4 Cyl 16v Turbo Diesel ENR = Engine - 2.8L 4 Cyl Turbo Diesel ENO = 4Cyl Turbo Diesel ED0 = All 2.4L	DDD = Transmission - 5-Speed HD Manual DDK = Transmission - 5-Speed HD Manual DG4 = Transmission-Multi-Speed Auto, 45RFE DG6 = Transmission-4-Spd. Automatic, 42RLE DGQ = Transmission-5-Spd Automatic 5-45RFE DBB = All Manual Transmissions DG0 = All Automatic Transmissions
P = Limited H = Sport M = Renegade	J = LHD (4WD) U = RHD (4WD) T = LHD (2WD)			

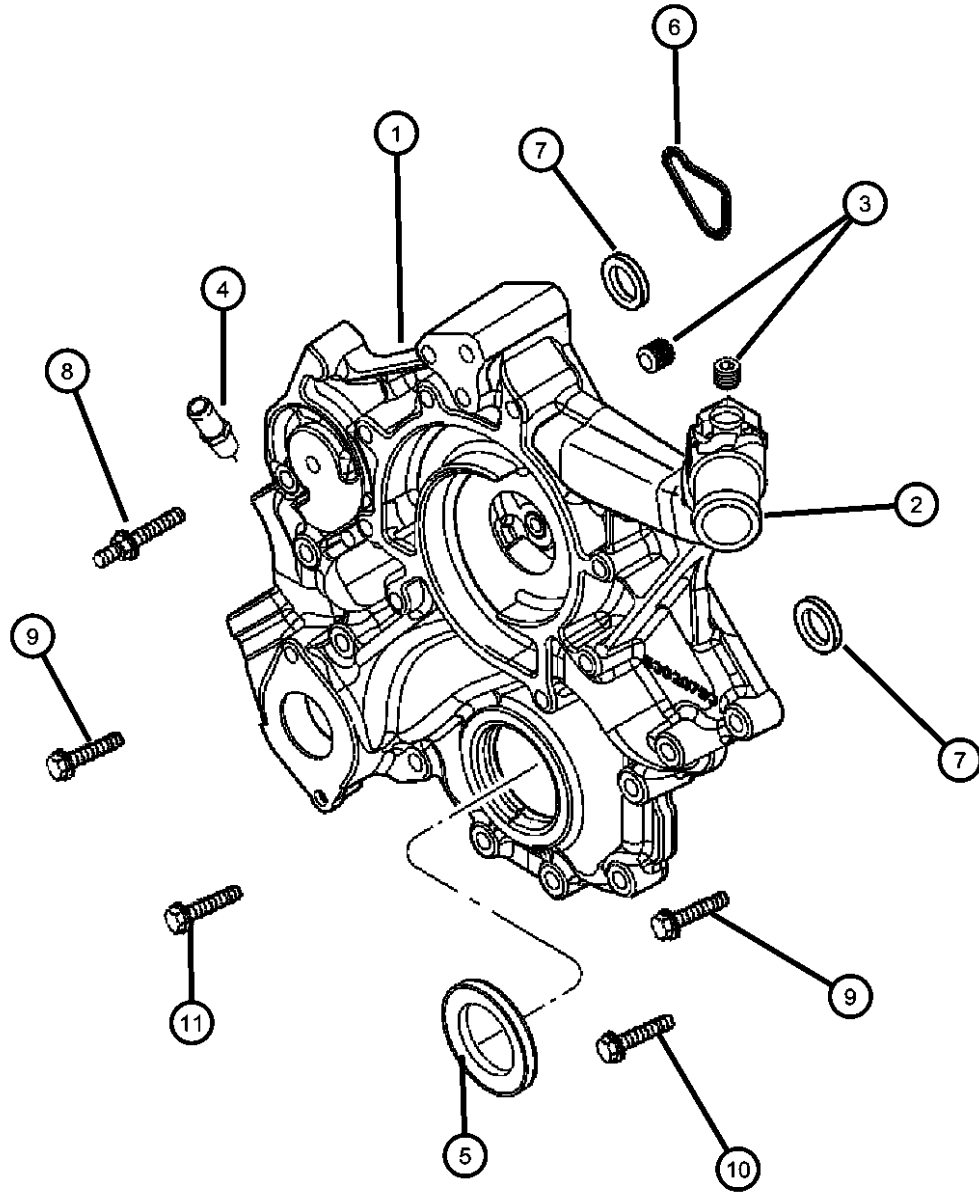
AR = use ase required - = Non illustrated part

**Timing Cover, 3.7L [EKG]
Figure 3.7L-610**

ITEM	PART NUMBER	QTY	LINE	SERIES	BODY	ENGINE	TRANS	TRIM	DESCRIPTION
------	-------------	-----	------	--------	------	--------	-------	------	-------------

NOTES:
Sales Codes
[EK0] = All 3.7L 6 Cylinder Gas Engines

1	53021238AB	1				EK0			COVER, Timing Belt
2	53021238AB	1							PIPE FITTING, Chain Case Cover, .375-18x2, Serviced with Cover, (NOT SERVICED)
3	06036308AA	3				EK0			PLUG, Also serviced wih Cover
4	06035854	2				EK0			FITTING, Y-Style, Also serviced wih Cover
5	53021313AA	1				EK0			SEAL, Crankshaft Oil, Front, Also serviced wih Cover
6	53021226AA	1				EK0			GASKET, Chain Case Cover, Also serviced wih Cover
7	53021239AA	2				EK0			O RING, Also serviced wih Cover
8	06505293AA	1				EK0			STUD
9	06507776AA	3				EK0			SCREW, Hex Flange Head
10	06102380AA	5				EK0			SCREW, Hex Flange Head
11	06102381AA	5				EK0			SCREW, Hex Flange Head



LIBERTY (KJ)

SERIES	LINE
P = Limited	J = LHD (4WD)
H = Sport	U = RHD (4WD)
M = Renegade	T = LHD (2WD)

BODY
74 = 4 Door (104.3 WB)

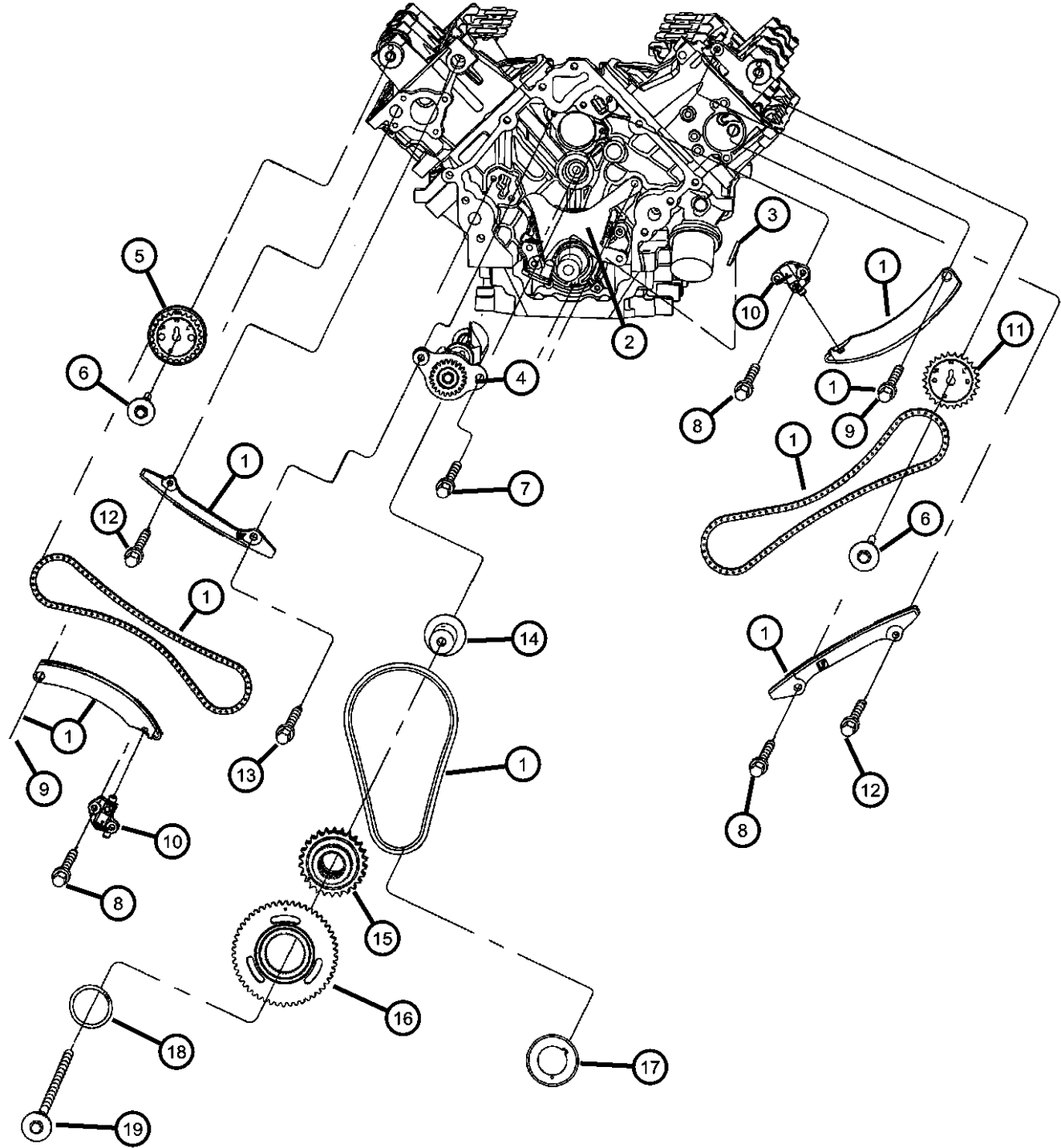
ENGINE
ED1 = Engine - 2.4L 4 Cyl DOHC 16v SMPI
EKG = Engine - 3.7L V6
ENJ = Engine -2.5L 4 Cyl 16V Turbo Diesel
ENR = Engine - 2.8L 4 Cyl Turbo Diesel
ENO = 4Cyl Turbo Diesel
EK0 = All 3.7L
ED0 = All 2.4L

TRANSMISSION
DDD = Transmission - 5-Speed HD Manual
DDK = Transmission - 5-Speed HD Manual
DG4 = Transmission-Multi-Speed Auto, 45RFE
DG6 = Transmission-4-Spd. Automatic, 42RLE
DGQ = Transmission-5-Spd Automatic 5-45RFE
DBB = All Manual Transmissions
DG0 = All Automatic Transmissions

AR = use ase required - = Non illustrated part

2004 KJ

**Timing Chain and Guides, 3.7L [EKG]
Figure 3.7L-620**



ITEM	PART NUMBER	QTY	LINE	SERIES	BODY	ENGINE	TRANS	TRIM	DESCRIPTION
------	-------------	-----	------	--------	------	--------	-------	------	-------------

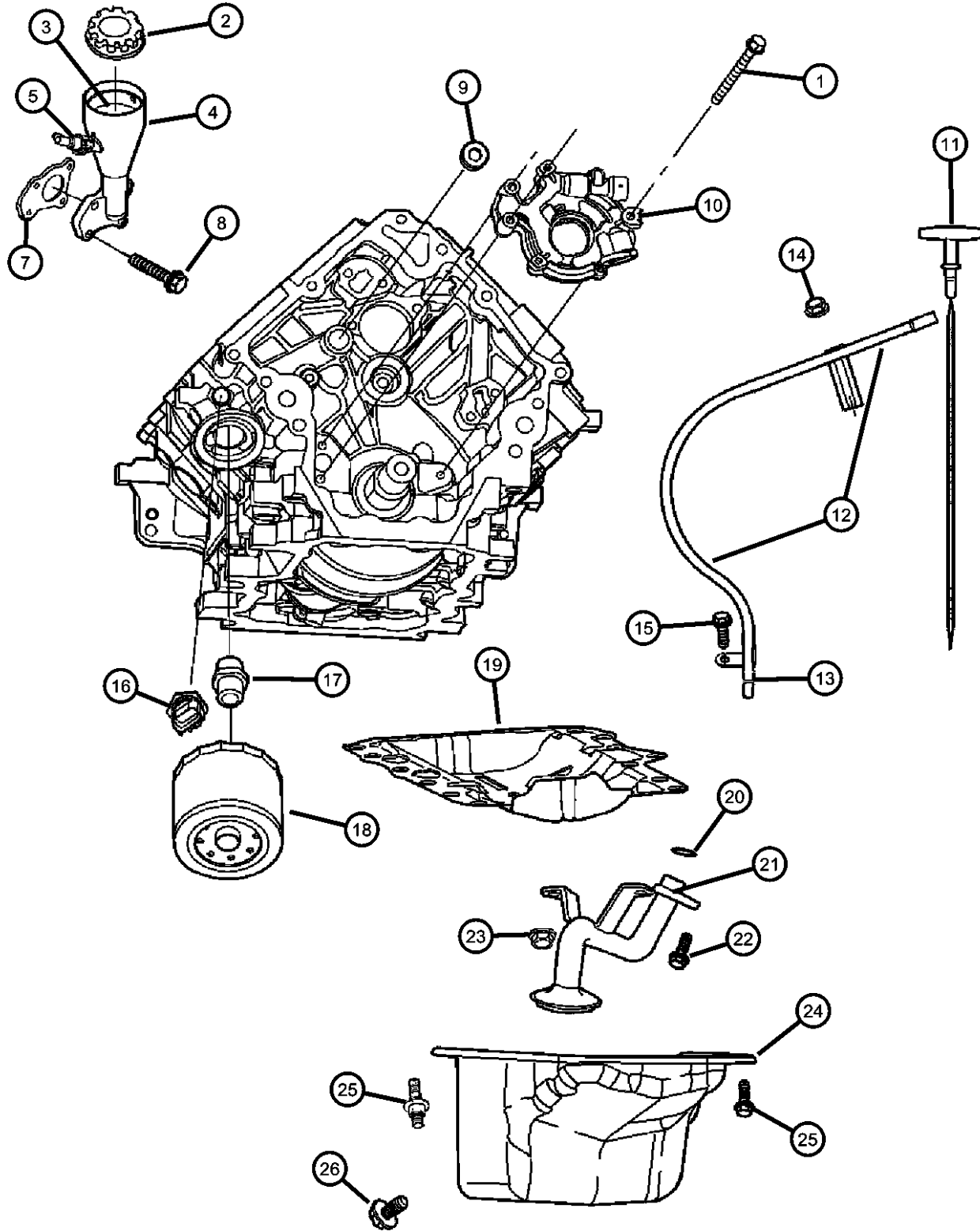
NOTES:
Sales Codes
[EK0] = All 3.7L, 6 Cylinder Gas Engines

1	05019423AC	1				EK0			TIMING DRIVE PACKAGE, Engine
2	53020681	1				EK0			TENSIONER, Chain, Primary, Also serviced in Timing Drive Package KEY, Woodruff
3	06504471	1				EK0			SHAFT, Balance
4	53020818	1				EK0			SHAFT, Balance
5	53021291AD	1				EK0			SPROCKET, Camshaft, Right
6	06504429	2				EK0			SCREW AND WASHER, Hex
7	06101452	1				ED0, EK0			SCREW AND WASHER, Hex Head, M8x1.25x20
8	06503257	5				EK0			BOLT, Hex Head, M8x1.25x37.50
9	06506028AA	2				EK0			SCREW, Also serviced in Drive Package
10									TENSIONER, Chain
	53021249AA	1				EK0			Secondary, Right
	53021250AA	1				EK0			Secondary, Left
11	53021290AA	1				EK0			SPROCKET, Camshaft, Left
12	06102111AA	2				EK0			SCREW AND WASHER
13	06102190AA	1				EK0			SCREW
14	53020835	1				EK0			SHAFT, Idler
15	53021298AB	1				EK0			SHAFT, Balance, Driver
16	53021170AA	1				EK0			SPROCKET, Idler
17	53020679	1				EK0			SPROCKET, Crankshaft
18	53021171AA	1				EK0			RETAINING RING, Idler
19	06504370	1				EK0			SCREW AND WASHER, Hex

LIBERTY (KJ)				
SERIES	LINE	BODY	ENGINE	TRANSMISSION
P = Limited	J = LHD (4WD)	74 = 4 Door (104.3 WB)	ED1 = Engine - 2.4L 4 Cyl DOHC 16v SMPI	DDD = Transmission - 5-Speed HD Manual
H = Sport	U = RHD (4WD)		EKG = Engine - 3.7L V6	DDK = Transmission - 5-Speed HD Manual
M = Renegade	T = LHD (2WD)		ENJ = Engine -2.5L 4 Cyl 16V Turbo Diesel	DG4 = Transmission-Multi-Speed Auto, 45RFE
			ENR = Engine - 2.8L 4 Cyl Turbo Diesel	DG6 = Transmission-4-Spd. Automatic, 42RLE
			ENO = 4Cyl Turbo Diesel	DGQ = Transmission-5-Spd Automatic 5-45RFE
			EK0 = All 3.7L	DBB = All Manual Transmissions
			ED0 = All 2.4L	DG0 = All Automatic Transmissions

AR = use ase required - = Non illustrated part

**Engine Oiling, 3.7L [EKG]
Figure 3.7L-710**



ITEM	PART NUMBER	QTY	LINE	SERIES	BODY	ENGINE	TRANS	TRIM	DESCRIPTION
------	-------------	-----	------	--------	------	--------	-------	------	-------------

NOTES:
Sales Code
[EK0] = All 3.7L 6 Cylinder Gas Engines

1	06100932	1				EK0			BOLT, Hex
2	53032389AC	1				EK0			CAP, Oil Filler
3	53032126AA	1				EK0			BAFFLE, Oil Fill, None
4	53020890	1				EK0			HOUSING, Oil Fill
5	53032800AA	1				EK0			VALVE, Crankcase Vent
-6	53031711AA	1				EK0			O RING
7	53020889AB	1				EK0			GASKET, Oil Fill Housing
8	06505504AA	3				EK0			SCREW
9	06036114AA	4				EK0			PLUG, Pipe
10	53020827	1				EK0			PUMP, Engine Oil
11	53021026AG	1				EK0			INDICATOR, Engine Oil Level
12	53021274AE	1				EK0			TUBE, Oil Gauge
13	53021144AA	1				EK0			O RING, Engine Oil Indicator
14	06102050AA	1				EK0			SCREW, Hex Flange Head, M6.3 x 1.81 x 15.00
15	06504810AA	1				EK0			SCREW AND WASHER, Hex
16	04868672AA	1				EK0			SWITCH, Oil Pressure
17	53007563	1				EK0			CONNECTOR, Oil Filter
18	04781452AA	1				EK0			FILTER, Engine Oil
19	53021001AB	1				EK0			GASKET, Oil Pan
20	53020861	1				EK0			SEAL, Oil Pick Up Tube
21	53021776AA	1				EK0			TUBE, Oil Pickup
22	06102046AA	1				EK0			SCREW AND WASHER
23	06502756	2				EK0			NUT, Hex Lock, M8x1.25
24	53021779AB	1				EK0			PAN, Engine Oil
25	06504810AA	17				EK0			SCREW AND WASHER, Hex
26	06506100AA	1				EK0			PLUG, Oil Drain

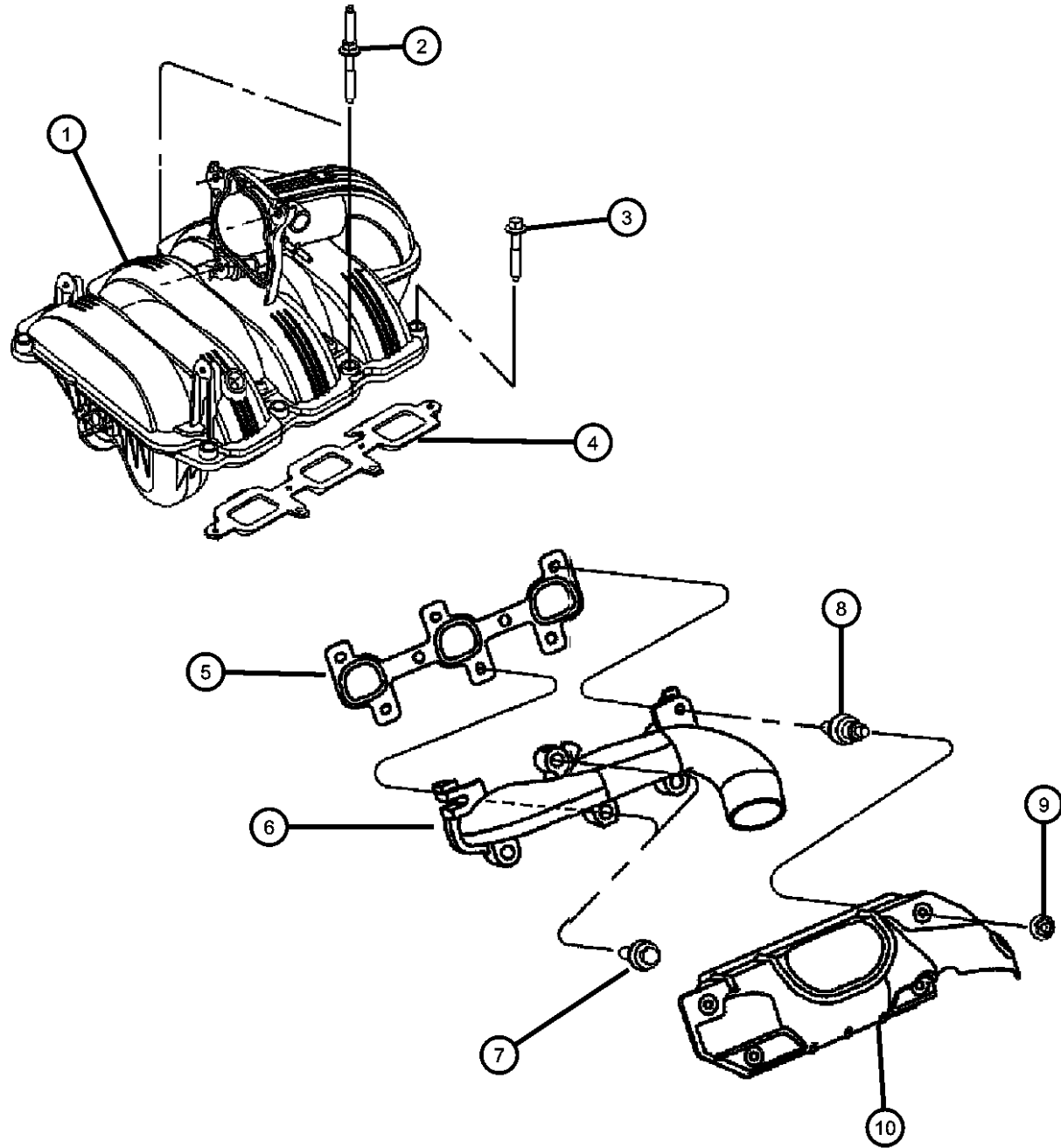
LIBERTY (KJ)		BODY	ENGINE	TRANSMISSION
SERIES	LINE			
P = Limited	J = LHD (4WD)	74 = 4 Door (104.3 WB)	ED1 = Engine - 2.4L 4 Cyl DOHC 16v SMPI	DDD = Transmission - 5-Speed HD Manual
H = Sport	U = RHD (4WD)		EKG = Engine - 3.7L V6	DDK = Transmission - 5-Speed HD Manual
M = Renegade	T = LHD (2WD)		ENJ = Engine -2.5L 4 Cyl 16v Turbo Diesel	DG4 = Transmission-Multi-Speed Auto, 45RFE
			ENR = Engine - 2.8L 4 Cyl Turbo Diesel	DG6 = Transmission-4-Spd. Automatic, 42RLE
			ENO = 4Cyl Turbo Diesel	DGQ = Transmission-5-Spd Automatic 5-45RFE
			EK0 = All 3.7L	DBB = All Manual Transmissions
			ED0 = All 2.4L	DG0 = All Automatic Transmissions

AR = use ase required - = Non illustrated part

**Manifolds, Intake and Exhaust, 3.7L [EKG]
Figure 3.7L-810**

ITEM	PART NUMBER	QTY	LINE	SERIES	BODY	ENGINE	TRANS	TRIM	DESCRIPTION
------	-------------	-----	------	--------	------	--------	-------	------	-------------

NOTES:
Sales Codes
[EK0] = All 3.7L 6 Cylinder Gas Engines



1	53031080AF	1				EK0			MANIFOLD, Intake
2	06505500AA	7				EK0			STUD
3	06505499AA	1				EK0			SCREW
4	53010310AB	6				EK0			SEAL, Intake Manifold
5									GASKET, Exhaust Manifold
	53031090	1				EK0			Right
	53031091	1				EK0			Left
6									MANIFOLD, Exhaust
	53031085AB	1				EK0			Left
	53031086AB	1				EK0			Right
7	06504340	4				EK0			SCREW AND WASHER, Hex
8	06504331	8				EK0			STUD
9	06505316AA	8				EK0			NUT
10									SHIELD, Exhaust Manifold
	53031092AB	1				EK0			Right
	53031093AB	1				EK0			Left

LIBERTY (KJ) SERIES	LINE	BODY	ENGINE	TRANSMISSION
P = Limited	J = LHD (4WD)	74 = 4 Door (104.3 WB)	ED1 = Engine - 2.4L 4 Cyl DOHC 16v SMPI	DDD = Transmission - 5-Speed HD Manual
H = Sport	U = RHD (4WD)		EKG = Engine - 3.7L V6	DDK = Transmission - 5-Speed HD Manual
M = Renegade	T = LHD (2WD)		ENJ = Engine -2.5L 4 Cyl 16V Turbo Diesel	DG4 = Transmission-Multi-Speed Auto, 45RFE
			ENR = Engine - 2.8L 4 Cyl Turbo Diesel	DG6 = Transmission-4-Spd. Automatic, 42RLE
			ENO = 4Cyl Turbo Diesel	DGQ = Transmission-5-Spd Automatic 5-45RFE
			EK0 = All 3.7L	DBB = All Manual Transmissions
			ED0 = All 2.4L	DG0 = All Automatic Transmissions

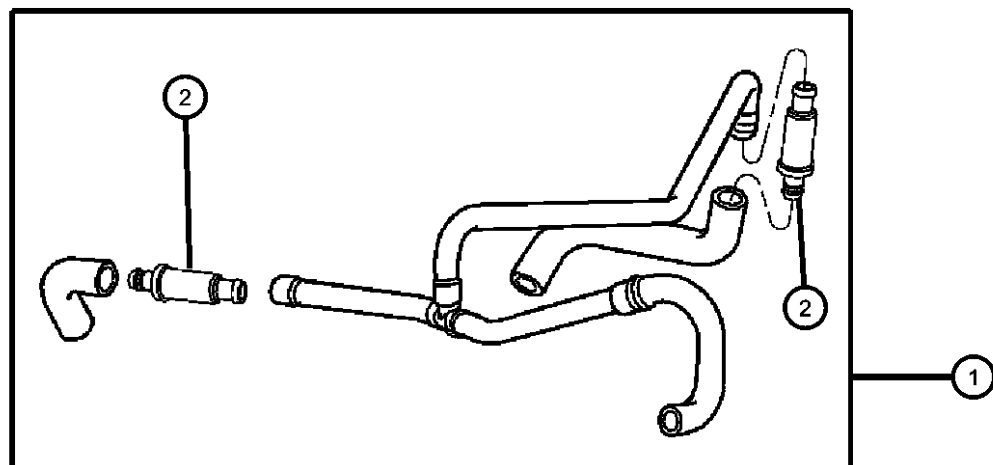
AR = use ase required - = Non illustrated part

2004 KJ

Crankcase Ventilation, 3.7L [EKG]

Figure 3.7L-910

ITEM	PART NUMBER	QTY	LINE	SERIES	BODY	ENGINE	TRANS	TRIM	DESCRIPTION
------	-------------	-----	------	--------	------	--------	-------	------	-------------

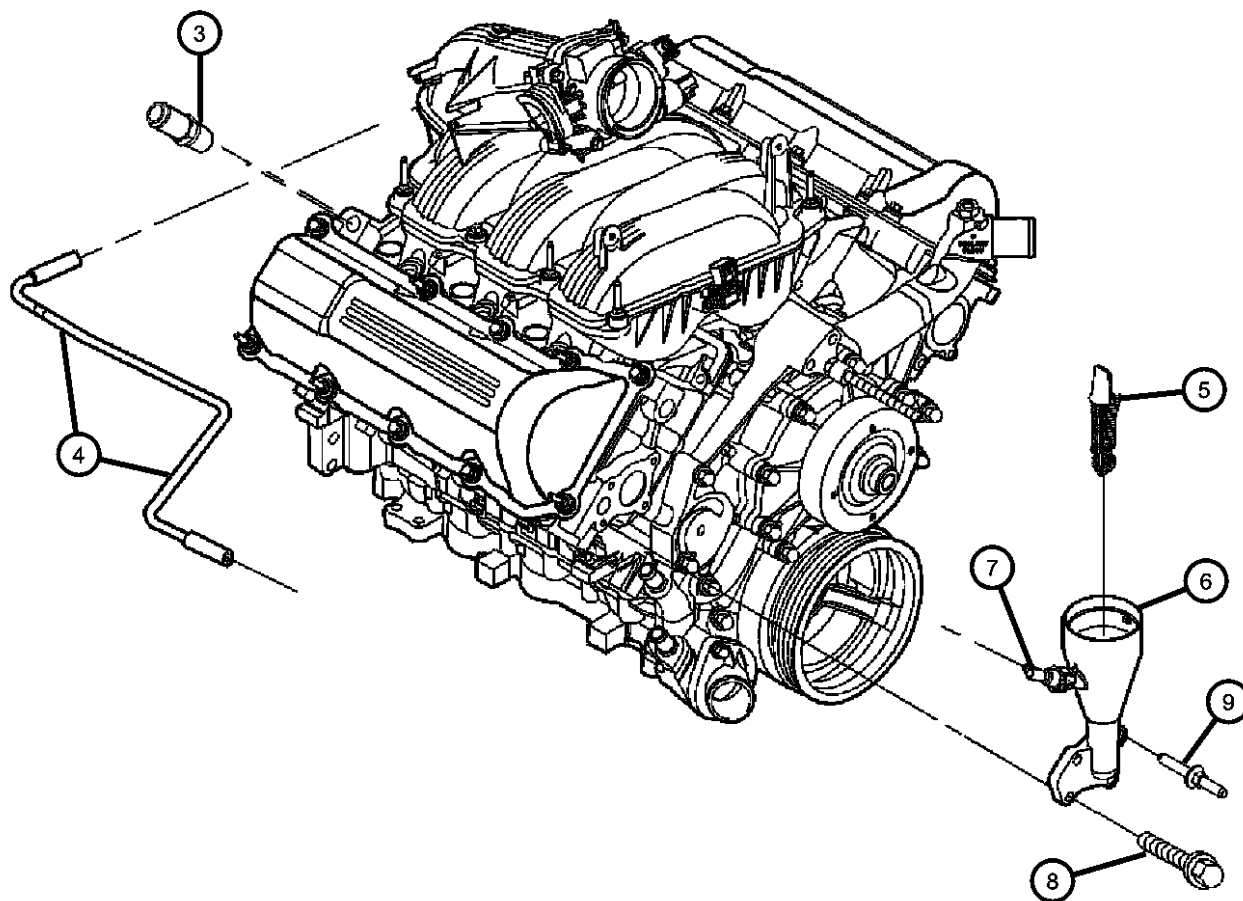


NOTES:

Sales Codes

[EK0] = All 3.7L 6 Cylinder Gas Engines

1	53013723AA	1				EK0			HOSE, Breather
2	53030850AB	2				EK0			BREATHER, Crankcase
3	06035854	2				EK0			FITTING, Y-Style
4	53031133AE	1				EK0			TUBE, Crankcase Vent To Intake Manifold
5	53032126AA	1				EK0			BAFFLE, Oil Fill, None
6	53020890	1				EK0			HOUSING, Oil Fill
7	53032800AA	1				EK0			VALVE, Crankcase Vent
8	06505504AA	3				EK0			SCREW
9	06505566AA	1				EK0			STUD



LIBERTY (KJ)

SERIES	LINE
P = Limited	J = LHD (4WD)
H = Sport	U = RHD (4WD)
M = Renegade	T = LHD (2WD)

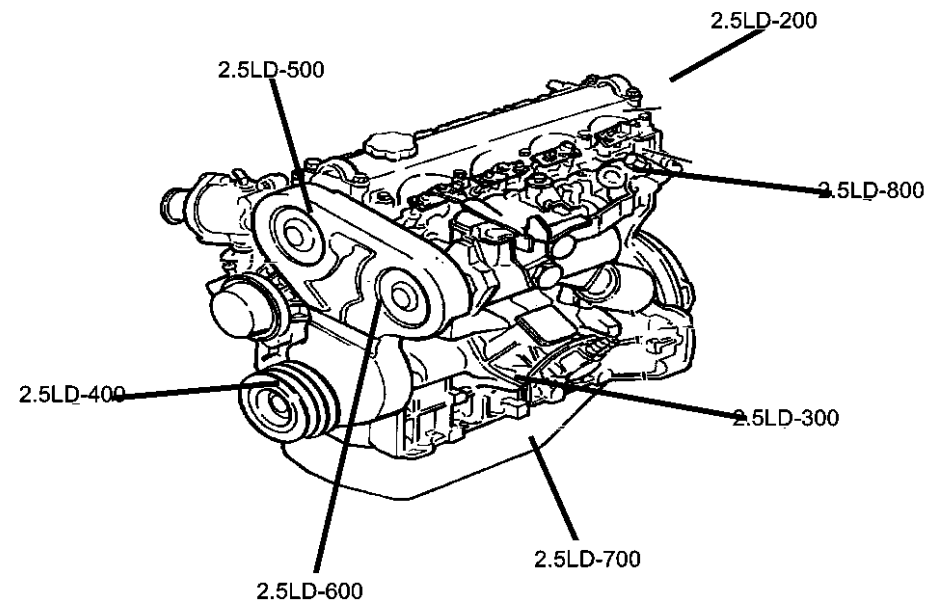
BODY
74 = 4 Door (104.3 WB)

ENGINE	TRANSMISSION
ED1 = Engine - 2.4L 4 Cyl DOHC 16v SMPI	DDD = Transmission - 5-Speed HD Manual
EKG = Engine - 3.7L V6	DDK = Transmission - 5-Speed HD Manual
ENJ = Engine -2.5L 4 Cyl 16V Turbo Diesel	DG4 = Transmission-Multi-Speed Auto, 45RFE
ENR = Engine - 2.8L 4 Cyl Turbo Diesel	DG6 = Transmission-4-Spd. Automatic, 42RLE
ENO = 4Cyl Turbo Diesel	DGQ = Transmission-5-Spd Automatic 5-45RFE
EK0 = All 3.7L	DBB = All Manual Transmissions
ED0 = All 2.4L	DG0 = All Automatic Transmissions

AR = use ase required - = Non illustrated part

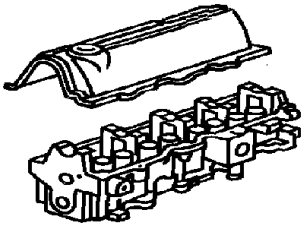
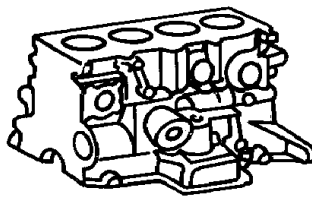
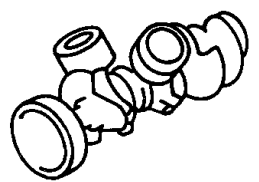
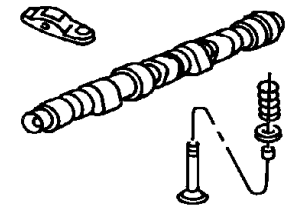
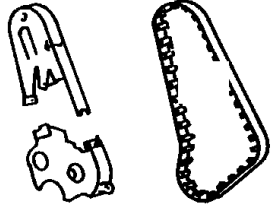
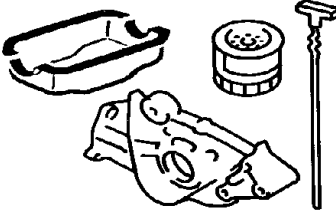
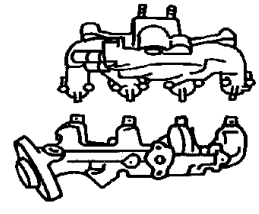
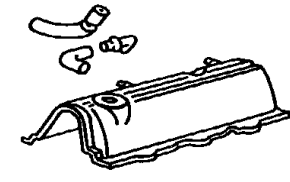
Group - 2.5LD

Engine 2.5L Four Cylinder (Turbo Diesel)

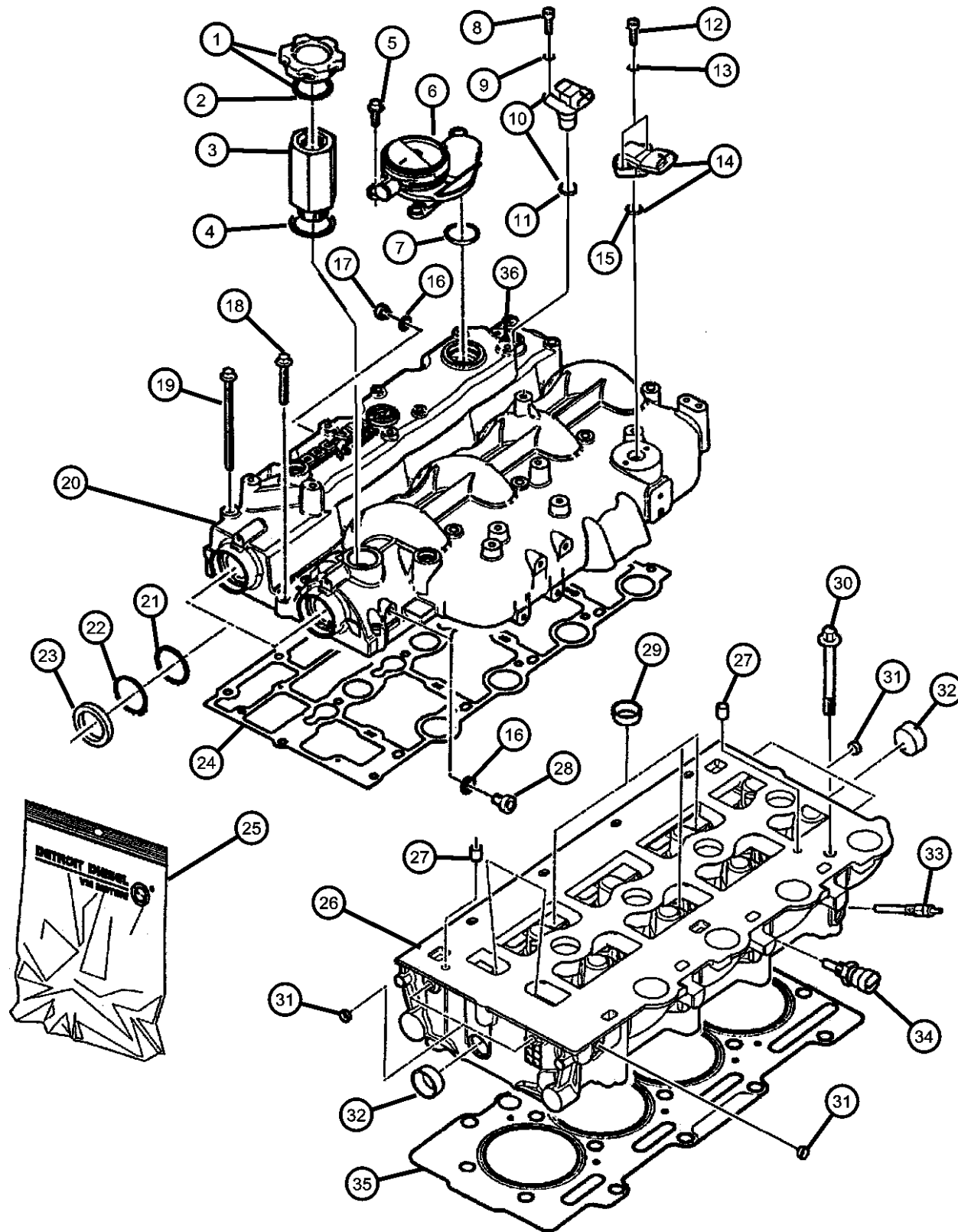


Group - 2.5LD Engine 2.5L Four Cylinder (Turbo Diesel)

Illustration Title	Group-Fig. No.
Cylinder Head	
Cylinder Head 2.5L [ENJ].....	Fig. 2.5LD - 210
Rocker Cover and Rocker Cover Assembly 2.5L [ENJ].....	Fig. 2.5LD - 220
Cylinder Block	
Cylinder Block 2.5L [ENJ]	Fig. 2.5LD - 310
Crankshaft, Piston and Drive Plate	
Crankshaft,Pistons and Related Parts 2.5L [ENJ].....	Fig. 2.5LD - 410
Camshafts & Valves	
Camshaft and Valves 2.5L [ENJ].....	Fig. 2.5LD - 510
Timing Belt and Cover	
Timing Cover and Related Parts 2.5L [ENJ]	Fig. 2.5LD - 610
Engine Oiling	
Engine Oiling and Balance Shafts 2.5L [ENJ].....	Fig. 2.5LD - 710
Oil Cooler 2.5L [ENJ]	Fig. 2.5LD - 720
Engine Oil Filter Adapter And Lines 2.5L Diesel [ENJ].....	Fig. 2.5LD - 730
Manifolds	
Manifolds 2.5L [ENJ].....	Fig. 2.5LD - 810
Crankcase Ventilation	
Crankcase Ventilation 2.5L [ENJ].....	Fig. 2.5LD - 910

<p>2.5LD-200 Cylinder Head</p> 	<p>2.5LD-300 Cylinder Block</p> 	<p>2.5LD-400 Crankshaft, Piston and Drive Plate</p> 	<p>2.5LD-500 Camshafts & Valves</p> 
<p>2.5LD-600 Timing Belt and Cover</p> 	<p>2.5LD-700 Engine Oiling</p> 	<p>2.5LD-800 Manifolds</p> 	<p>2.5LD-900 Crankcase Ventilation</p> 

**Cylinder Head 2.5L [ENJ]
Figure 2.5LD-210**



ITEM	PART NUMBER	QTY	LINE	SERIES	BODY	ENGINE	TRANS	TRIM	DESCRIPTION
NOTE: Sales Codes: [DBB] = All Manual Transmissions [EN0] = All 4 Cylinder Turbo Diesel Engines									
1	04863741	1				EN0	DBB		CAP, Oil Filler
2	04720300	1				EN0	DBB		GASKET, Oil Filler Cap
3	05072678AA	1				EN0	DBB		SPACER, Oil Filler
4	05066853AA	1				EN0	DBB		GASKET, Oil Filler Connector
5	05003553AA	3				EN0	DBB		SCREW
6	05114348AA	1				EN0	DBB		VALVE, Pressure Control
7	05114347AA	2				EN0	DBB		O RING, Pressure Relief Valve
8	05003551AA	1				EN0	DBB		BOLT, M6x10
9	04723204	5				EN0	DBB		WASHER, Implement Attaching
10	05066856AB	1				EN0	DBB		SENSOR, Camshaft
11	05066860AA	1				EN0	DBB		O RING
12	05010858AA	1				EN0	DBB		SCREW
13	04723168	1				EN0	DBB		WASHER, Fuel Solenoid Wire
14	05093898AA	1				EN0	DBB		SENSOR, Air Temperature
15	04864689	4				EN0	DBB		O RING
16	04720713	2				EN0	DBB		WASHER, Implement Attaching
17	05066787AA	2				EN0	DBB		PLUG, Cylinder Block
18	05066960AA	6				EN0	DBB		SCREW
19	05066960AA	6				EN0	DBB		SCREW
20	05139867AA	1				EN0	DBB		COVER, Cylinder Head
21	05066844AA	2				EN0	DG0		SPACER
22	05066841AA	2				EN0	DBB		SNAP RING
23	05066958AA	2				EN0	DBB		SEAL
24	05066786AA	1				EN0	DBB		GASKET, Valve Cover
25	05096231AA	1				EN0	DBB		GASKET KIT, Cylinder Head Overhall

LIBERTY (KJ)

SERIES LINE
P = Limited J = LHD (4WD)
H = Sport U = RHD (4WD)
M = Renegade T = LHD (2WD)

BODY
74 = 4 Door (104.3 WB)

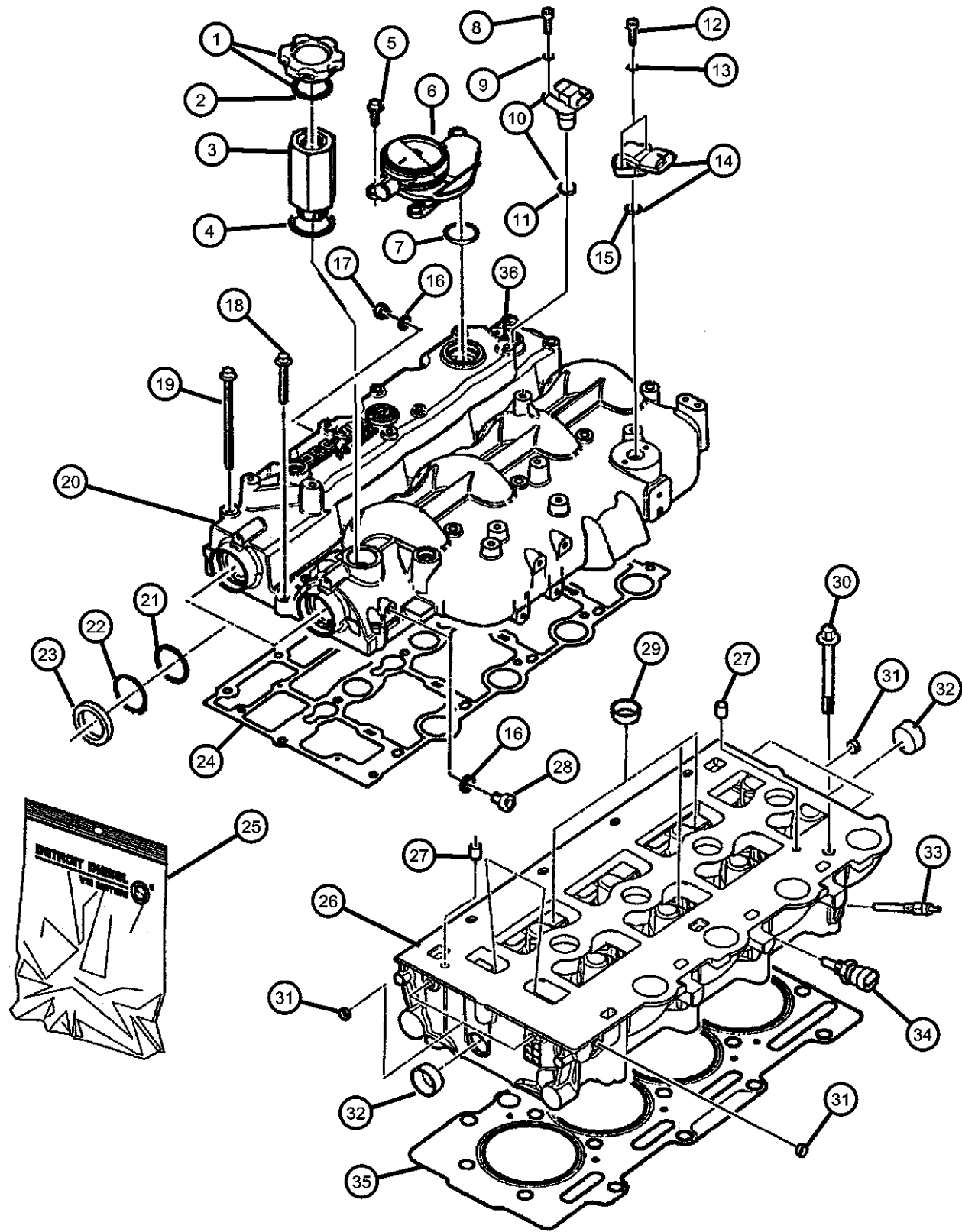
ENGINE
ED1 = Engine - 2.4L 4 Cyl
DOHC 16v SMPI
EKG = Engine - 3.7L V6
ENJ = Engine -2.5L 4 Cyl 16V
Turbo Diesel
ENR = Engine - 2.8L 4 Cyl
Turbo Diesel
EN0 = 4Cyl Turbo Diesel
EKO = All 3.7L
EDO = All 2.4L

TRANSMISSION
DDD = Transmission - 5-Speed HD
Manual
DDK = Transmission - 5-Speed HD
Manual
DG4 = Transmission-Multi-Speed
Auto, 45RFE
DG6 = Transmission-4-Spd.
Automatic, 42RLE
DGQ = Transmission-5-Spd Automatic
5-45RFE
DBB = All Manual Transmissions
DG0 = All Automatic Transmissions

AR = use ase required - = Non illustrated part

2004 KJ

**Cylinder Head 2.5L [ENJ]
Figure 2.5LD-210**



ITEM	PART NUMBER	QTY	LINE	SERIES	BODY	ENGINE	TRANS	TRIM	DESCRIPTION
26	05093893AB	1				EN0	DBB		HEAD, Cylinder
27	04720165	1				EN0	DBB		DOWEL, Rocker
28	05066913AA	3				EN0	DBB		STUD
29	04723228	3				EN0	DBB		PLUG, Cylinder Block Oil Hole
30	05066957AB	18				EN0	DBB		BOLT, Cylinder Head
31	05066836AA	2				EN0	DBB		PLUG, Cylinder Block
32	05066836AA	2				EN0	DBB		PLUG, Cylinder Block
33	05066840AA	4				EN0	DBB		GLOW PLUG
34	05066779AA	1				EN0	DBB		SENSOR, Temperature Sending Unit
35									GASKET, Cylinder Head
	05072675AA	1				EN0	DBB		[1.32MM]
	05072676AA	1				EN0	DBB		[1.42MM]
	05072677AA	1				EN0	DBB		[1.52MM]
36	05093895AA	1				EN0	DBB		STUD
-37	04882405	4				EN0	DBB		STUD

LIBERTY (KJ)

SERIES LINE
P = Limited J = LHD (4WD)
H = Sport U = RHD (4WD)
M = Renegade T = LHD (2WD)

BODY
74 = 4 Door (104.3 WB)

ENGINE
ED1 = Engine - 2.4L 4 Cyl
DOHC 16v SMPI
EKG = Engine - 3.7L V6
ENJ = Engine -2.5L 4 Cyl 16V
Turbo Diesel
ENR = Engine - 2.8L 4 Cyl
Turbo Diesel
EN0 = 4Cyl Turbo Diesel
EK0 = All 3.7L
ED0 = All 2.4L

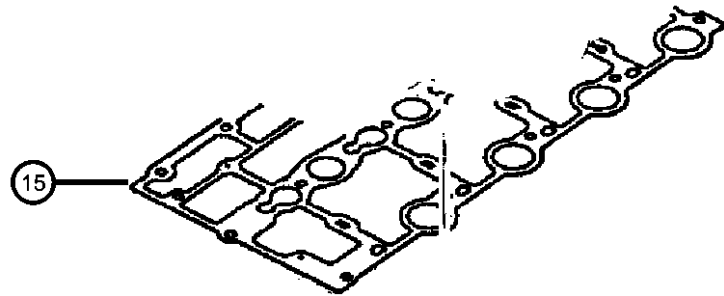
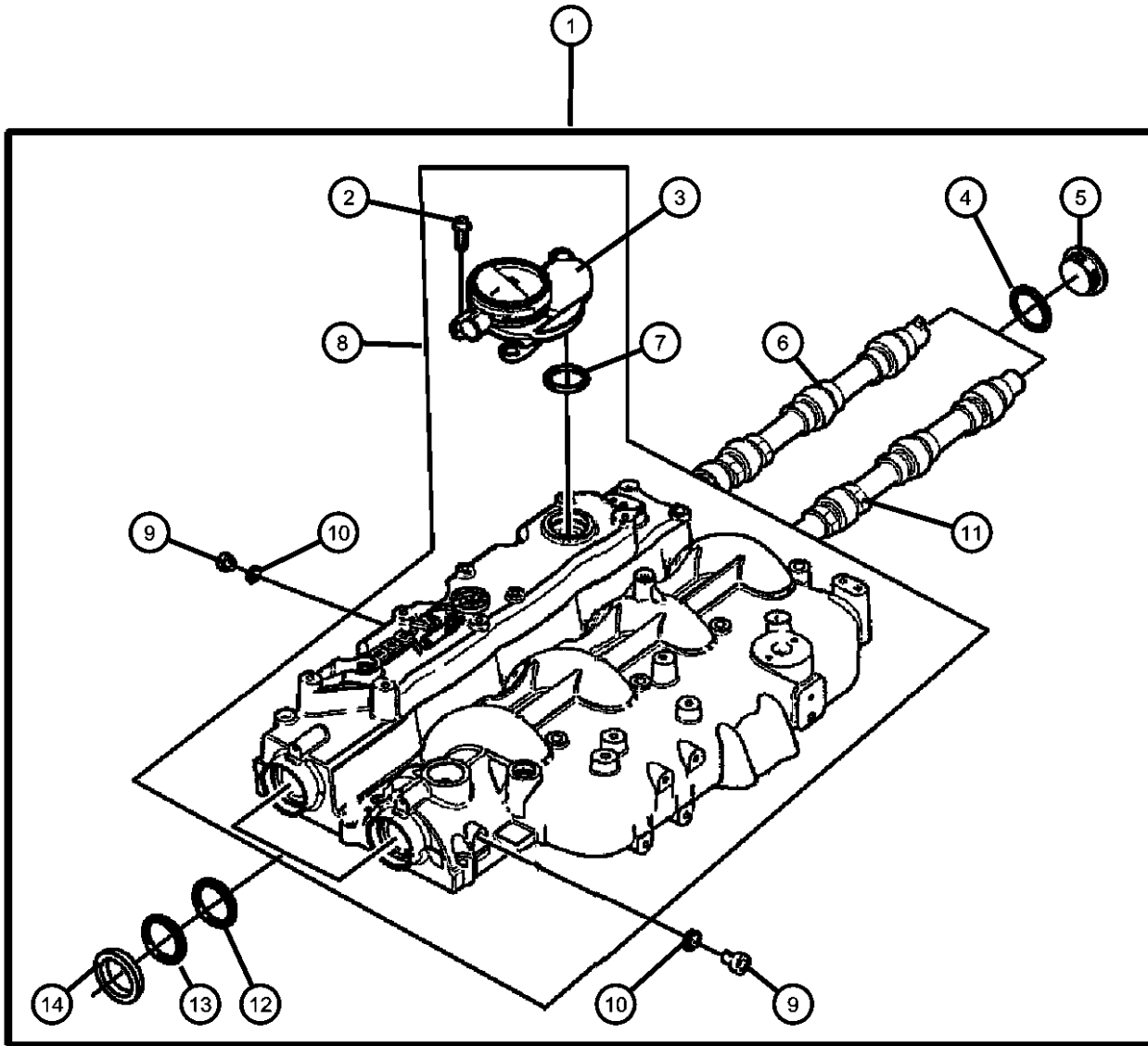
TRANSMISSION
DDD = Transmission - 5-Speed HD
Manual
DDK = Transmission - 5-Speed HD
Manual
DG4 = Transmission-Multi-Speed
Auto, 45RFE
DG6 = Transmission-4-Spd.
Automatic, 42RLE
DGQ = Transmission-5-Spd Automatic
5-45RFE
DBB = All Manual Transmissions
DG0 = All Automatic Transmissions

AR = use ase required - = Non illustrated part

2004 KJ

**Rocker Cover and Rocker Cover Assembly 2.5L [ENJ]
Figure 2.5LD-220**

ITEM	PART NUMBER	QTY	LINE	SERIES	BODY	ENGINE	TRANS	TRIM	DESCRIPTION
Note:Sales Codes: [ENJ] = 2.5L 4 Cylinder 16V Turbo Diesel									
1	05139867AA	1				EN0	DBB		COVER, Cylinder Head
2	05003553AA	3				EN0	DBB		SCREW
3	05114348AB	1				EN0	DBB		VALVE, Pressure Control
4	05066811AA	1				EN0	DBB		WASHER, Plain, 16.2x19.9x1.5
5	05066855AA	2				EN0	DBB		PLUG, Camshaft
6	05066850AB	1				EN0	DBB		CAMSHAFT, Exhaust
7	05114347AA	2				EN0	DBB		O RING, Pressure Relief Valve
8	05093897AB	1				EN0	DBB		COVER, Cylinder Head
9	05066787AA	2				EN0	DBB		PLUG, Cylinder Block
10	04720713	2				EN0	DBB		WASHER, Implement Attaching
11	05066847AB	1				EN0	DBB		CAMSHAFT, Intake
12	05066844AA	2				EN0	DBB		SPACER
13	05066841AA	2				EN0	DBB		SNAP RING
14	05066958AA	2				EN0	DBB		SEAL
15	05066786AA	1				EN0	DBB		GASKET, Valve Cover



LIBERTY (KJ)

SERIES LINE
P = Limited J = LHD (4WD)
H = Sport U = RHD (4WD)
M = Renegade T = LHD (2WD)

BODY
74 = 4 Door (104.3 WB)

ENGINE
ED1 = Engine - 2.4L 4 Cyl
DOHC 16v SMPI
EKG = Engine - 3.7L V6
ENJ = Engine -2.5L 4 Cyl 16V
Turbo Diesel
ENR = Engine - 2.8L 4 Cyl
Turbo Diesel
EN0 = 4Cyl Turbo Diesel
EKO = All 3.7L
ED0 = All 2.4L

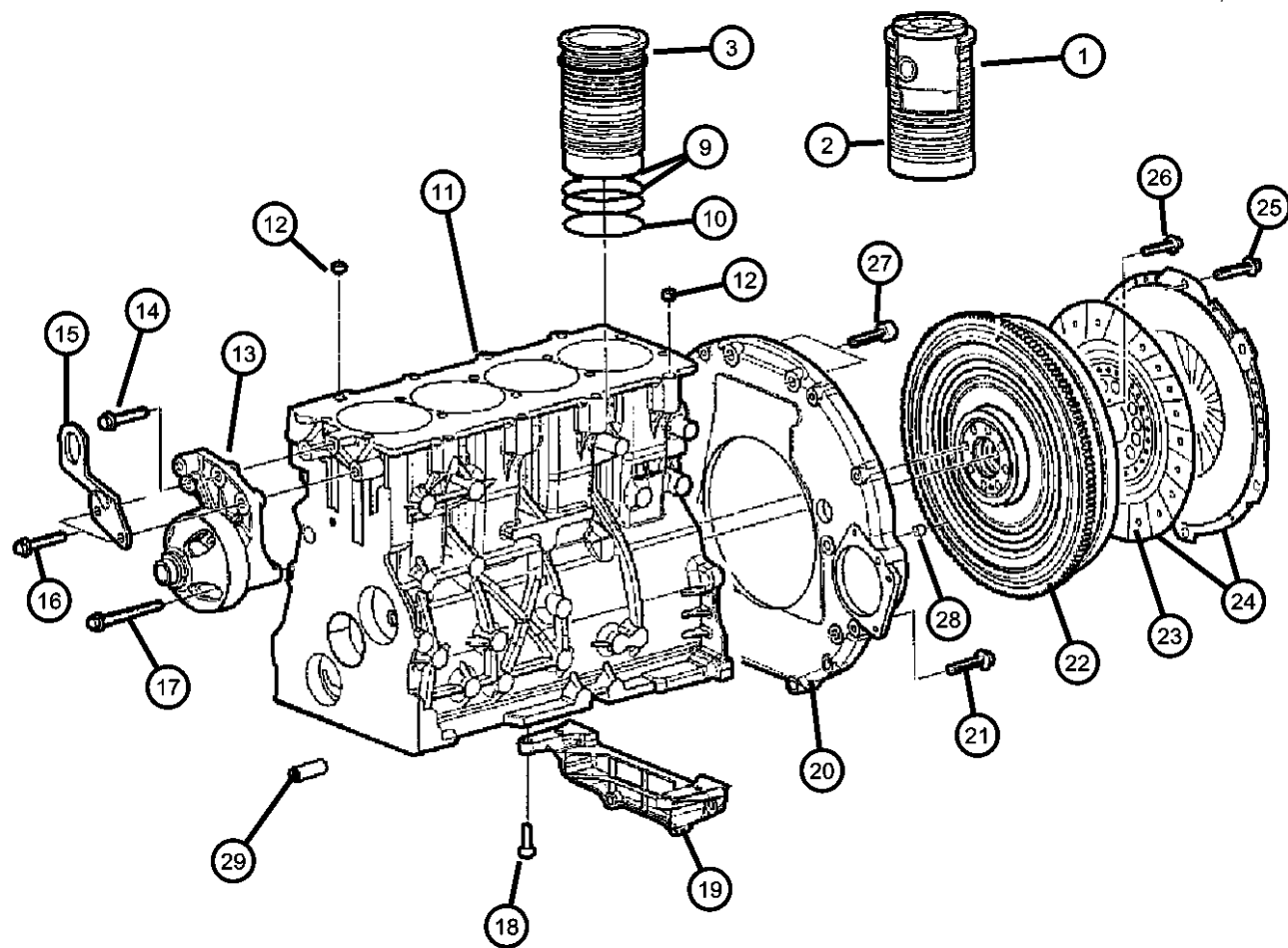
TRANSMISSION
DDD = Transmission - 5-Speed HD
Manual
DDK = Transmission - 5-Speed HD
Manual
DG4 = Transmission-Multi-Speed
Auto, 45RFE
DG6 = Transmission-4-Spd.
Automatic, 42RLE
DGQ = Transmission-5-Spd Automatic
5-45RFE
DBB = All Manual Transmissions
DG0 = All Automatic Transmissions

AR = use ase required - = Non illustrated part

**Cylinder Block 2.5L [ENJ]
Figure 2.5LD-310**

ITEM	PART NUMBER	QTY	LINE	SERIES	BODY	ENGINE	TRANS	TRIM	DESCRIPTION
------	-------------	-----	------	--------	------	--------	-------	------	-------------

NOTE:
Sales Codes:
[DBB] = All Manual Transmissions
[EN0] = All 4 Cylinder Turbo Diesel Engines



1	05093877AA	4				EN0	DBB		LINER AND PISTON, Cylinder, Complete Assembly
2	05093878AA	4				EN0	DBB		LINER, Cylinder
3	04720620	4				EN0	DBB		SHIM, Cylinder Liner, 0.15mm
4	05066747AA	4				EN0	DBB		SHIM KIT, Cylinder LinerStandard
5	04720624	4				EN0	DBB		SHIM, Cylinder Liner, 0.17mm
6	04720621	4				EN0	DBB		SHIM, Cylinder Liner, 0.20mm
7	04720623	4				EN0	DBB		SHIM, Cylinder Liner, 0.23mm
8	04720622	4				EN0	DBB		SHIM, Cylinder Liner, 0.25mm
9	04720627	8				EN0	DBB		O RING, Cylinder Liner
10	04720625	4				EN0	DBB		O RING, Cylinder Liner
11	05170772AA 04761840	1				EN0	DBB		ENGINE, 3/4 Tested, Diesel Mopar 10W-40 Engine Oil Quart
12	04720237	2				EN0	DBB		DOWEL, Transmission Adapter
13	05072447AA	1				EN0	DBB		BRACKET, Fan
14	05066939AA	3				EN0	DBB		SCREW
15	05072754AA	1				EN0	DBB		BRACKET, Engine Lift
16	05003533AA	2				EN0	DBB		BOLT, M10x45
17	05015067AA	1				EN0	DBB		BOLT, Hex Flange Head
18	04720684	4				EN0	DBB		BOLT
19	05072753AA	1				EN0	DBB		BRACKET
20	05093879AB	1				EN0	DBB		HOUSING, Flywheel
21	05003532AA	4				EN0	DBB		BOLT, Adaptor Plate
22	52104420AB	1				EN0	DBB		FLYWHEEL
23	52104303AB	1				EN0	DBB		DISC, Clutch
24	05066191AA	1				EN0	DBB		CLUTCH PACKAGE
25	05072396AA	6				EN0	DBB		BOLT
26	05072664AA	8				EN0	DBB		BOLT

LIBERTY (KJ)

SERIES LINE
P = Limited J = LHD (4WD)
H = Sport U = RHD (4WD)
M = Renegade T = LHD (2WD)

BODY
74 = 4 Door (104.3 WB)

ENGINE
ED1 = Engine - 2.4L 4 Cyl
DOHC 16v SMPI
EKG = Engine - 3.7L V6
ENJ = Engine -2.5L 4 Cyl 16V
Turbo Diesel
ENR = Engine - 2.8L 4 Cyl
Turbo Diesel
EN0 = 4Cyl Turbo Diesel
EKO = All 3.7L
ED0 = All 2.4L

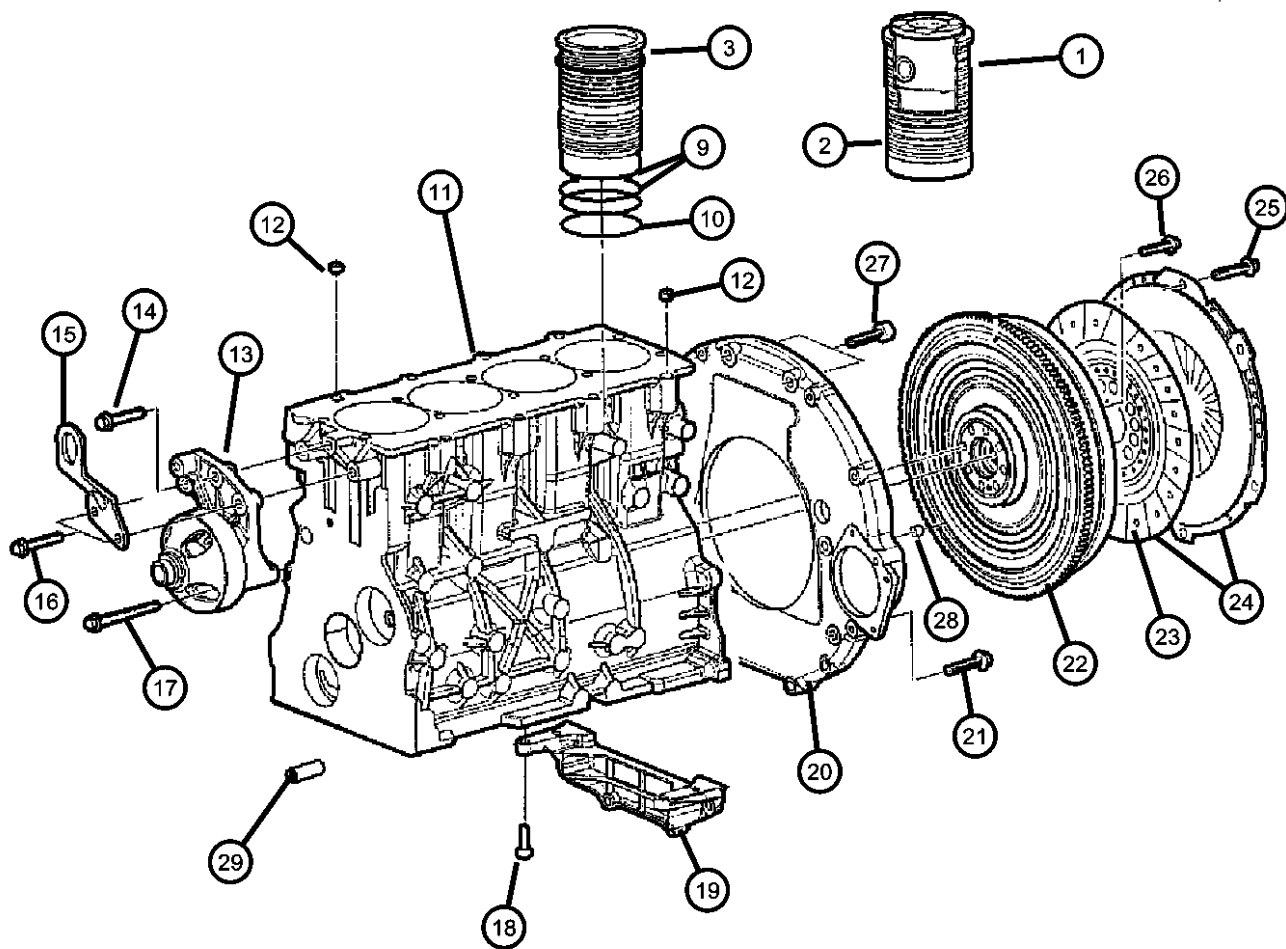
TRANSMISSION
DDD = Transmission - 5-Speed HD
Manual
DDK = Transmission - 5-Speed HD
Manual
DG4 = Transmission-Multi-Speed
Auto, 45RFE
DG6 = Transmission-4-Spd.
Automatic, 42RLE
DGQ = Transmission-5-Spd Automatic
5-45RFE
DBB = All Manual Transmissions
DG0 = All Automatic Transmissions

AR = use ase required - = Non illustrated part

2004 KJ

**Cylinder Block 2.5L [ENJ]
Figure 2.5LD-310**

ITEM	PART NUMBER	QTY	LINE	SERIES	BODY	ENGINE	TRANS	TRIM	DESCRIPTION
27	04864757	2				EN0	DBB		BOLT
28	05015045AA	2				EN0	DBB		DOWEL, Transmission Adapter
29	04720304	1				EN0	DBB		DOWEL, Front Cover
-30	05093909AA	1				EN0	DBB		PLUG



LIBERTY (KJ)

SERIES	LINE
P = Limited	J = LHD (4WD)
H = Sport	U = RHD (4WD)
M = Renegade	T = LHD (2WD)

BODY
74 = 4 Door (104.3 WB)

ENGINE
ED1 = Engine - 2.4L 4 Cyl
DOHC 16v SMPI
EKG = Engine - 3.7L V6
ENJ = Engine -2.5L 4 Cyl 16V
Turbo Diesel
ENR = Engine - 2.8L 4 Cyl
Turbo Diesel
EN0 = 4Cyl Turbo Diesel
EK0 = All 3.7L
ED0 = All 2.4L

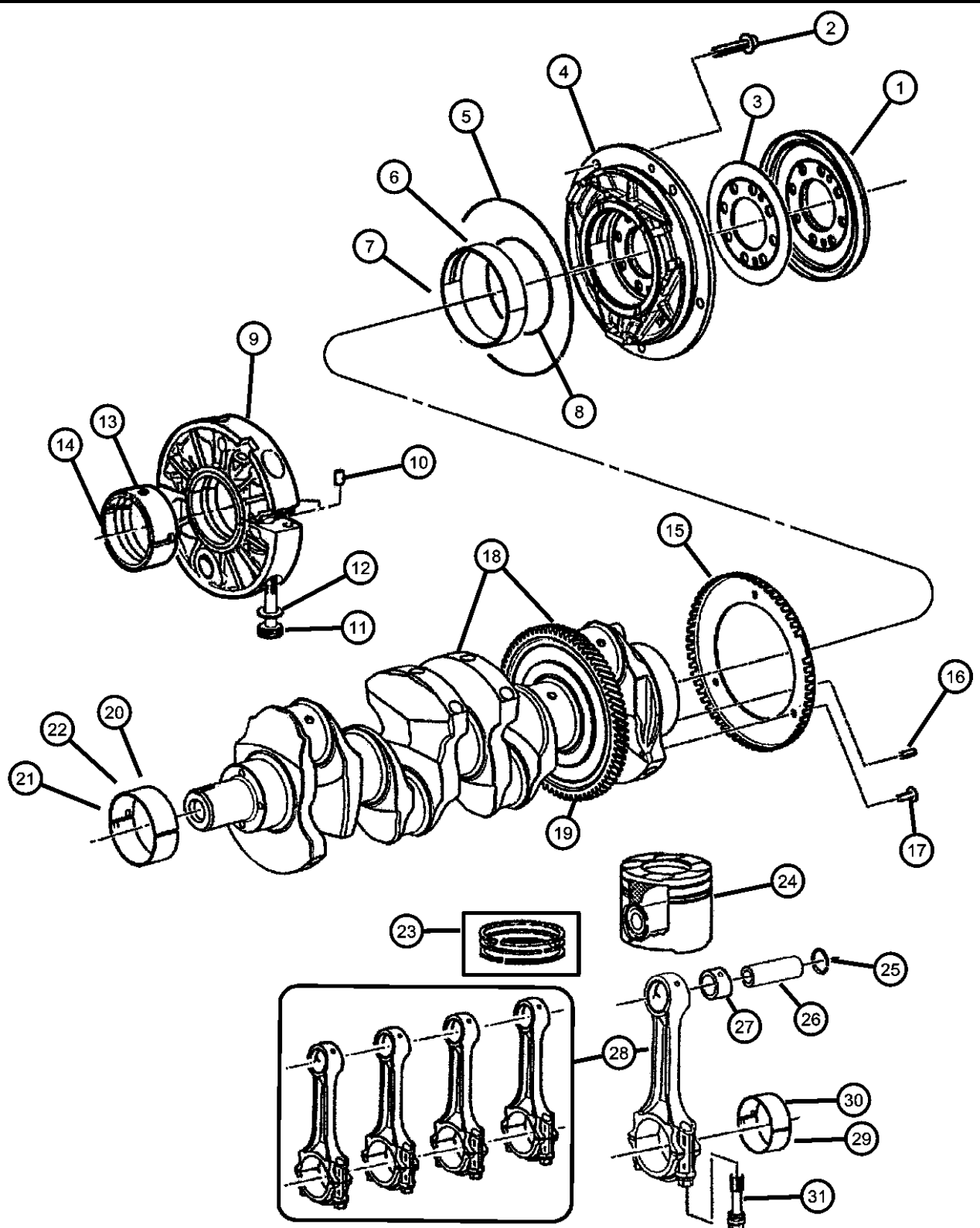
TRANSMISSION
DDD = Transmission - 5-Speed HD
Manual
DDK = Transmission - 5-Speed HD
Manual
DG4 = Transmission-Multi-Speed
Auto, 45RFE
DG6 = Transmission-4-Spd.
Automatic, 42RLE
DGQ = Transmission-5-Spd Automatic
5-45RFE
DBB = All Manual Transmissions
DG0 = All Automatic Transmissions

AR = use ase required - = Non illustrated part

2004 KJ

Crankshaft,Pistons and Related Parts 2.5L [ENJ]

Figure 2.5LD-410



ITEM	PART NUMBER	QTY	LINE	SERIES	BODY	ENGINE	TRANS	TRIM	DESCRIPTION
1	05066756AA	1				EN0	DBB		SEAL, Crankshaft Oil, Rear
2	04864537	5				EN0	DBB		BOLT, 8Mx20
3	05093882AA	1				EN0	DBB		WASHER, Thrust
4	05101924AA	1				EN0	DBB		HOUSING, Rear Bearing
5	04720277	1				EN0	DBB		O RING, Crankshaft Rear Support
6	05066761AA	1				EN0	DBB		BEARING, Crankshaft
7	05066762AA	1				EN0	DBB		BEARING, Crankshaft
8	05066763AA	1				EN0	DBB		O RING, Crankshaft Rear Support
9	05066757AA	3				EN0	DBB		HOUSING, Crankshaft Bearing
10	04720241	6				EN0	DBB		DOWEL, Center Bearing Housing
11	04720242	6				EN0	DBB		SCREW
12	04720243	6				EN0	DBB		WASHER, Lock, M10
13	05069079AA	3				EN0	DBB		BEARING, Crankshaft, STD.
14	05069080AA	3				EN0	DBB		BEARING, Crankshaft, .250mm U/S
15	05066882AA	1				EN0	DBB		SENSOR, Crankshaft
16	05093885AA	1				EN0	DBB		PIN, Spring
17	05069137AA	3				EN0	DBB		SCREW
18	05093880AB	1				EN0	DBB		CRANKSHAFT
19	05066977AA	1				EN0	DBB		GEAR, Ring
20	05069077AA	1				EN0	DBB		BEARING, Crankshaft, STD.
21	05018726AA	8				EN0	DBB		BEARING, Crankshaft
22	05069078AA	1				EN0	DBB		BEARING, Crankshaft, .250mm U/S
23	05066759AA	4				EN0	DBB		RING KIT, Piston, Standard
24	05093884AA	4				EN0	DBB		PISTON
25	05096230AA	8				EN0	DBB		RING, Piston Pin
26	05096230AA	8							PIN, Piston, Serviced with Piston, (NOT SERVICED)

LIBERTY (KJ)

SERIES LINE
 P = Limited J = LHD (4WD)
 H = Sport U = RHD (4WD)
 M = Renegade T = LHD (2WD)

BODY
 74 = 4 Door (104.3 WB)

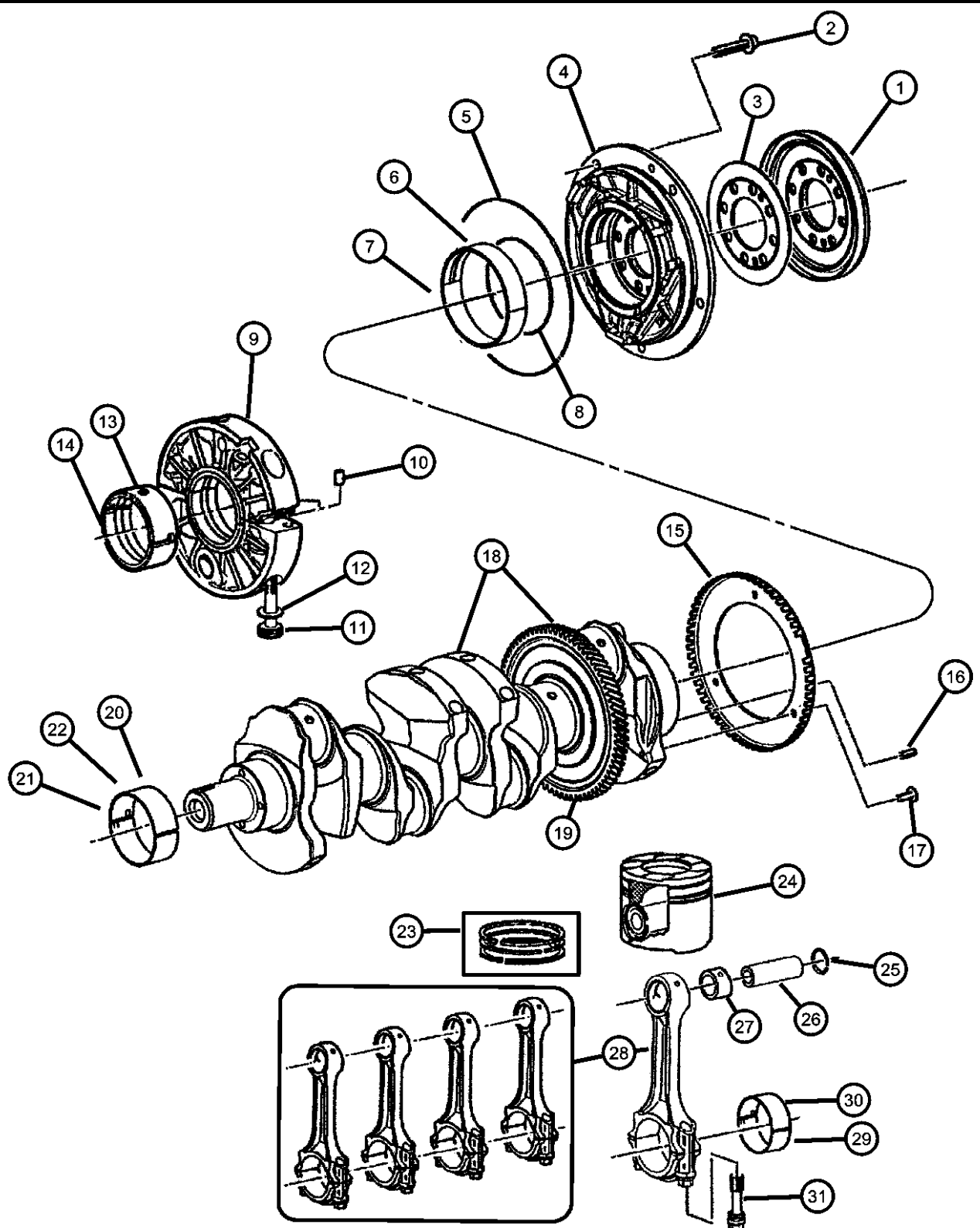
ENGINE
 ED1 = Engine - 2.4L 4 Cyl
 DOHC 16v SMPI
 EKG = Engine - 3.7L V6
 ENJ = Engine -2.5L 4 Cyl 16V
 Turbo Diesel
 ENR = Engine - 2.8L 4 Cyl
 Turbo Diesel
 EN0 = 4Cyl Turbo Diesel
 EKO = All 3.7L
 ED0 = All 2.4L

TRANSMISSION
 DDD = Transmission - 5-Speed HD
 Manual
 DDK = Transmission - 5-Speed HD
 Manual
 DG4 = Transmission-Multi-Speed
 Auto, 45RFE
 DG6 = Transmission-4-Spd.
 Automatic, 42RLE
 DGQ = Transmission-5-Spd Automatic
 5-45RFE
 DBB = All Manual Transmissions
 DG0 = All Automatic Transmissions

AR = use ase required - = Non illustrated part

Crankshaft,Pistons and Related Parts 2.5L [ENJ]

Figure 2.5LD-410



ITEM	PART NUMBER	QTY	LINE	SERIES	BODY	ENGINE	TRANS	TRIM	DESCRIPTION
27	05093887AA	4				EN0	DBB		BUSHING, Connecting Rod
28	05093883AA	1				EN0	DBB		ROD, Connecting
29	04720877	4				EN0	DBB		BEARING, Connecting Rod, STD.
30	04720883	4				EN0	DBB		BEARING, Connecting Rod, .25 mm U/S
31	05093889AA	8				EN0	DBB		BOLT, Connecting Rod

LIBERTY (KJ)

SERIES

P = Limited
H = Sport
M = Renegade

LINE

J = LHD (4WD)
U = RHD (4WD)
T = LHD (2WD)

BODY

74 = 4 Door (104.3 WB)

ENGINE

ED1 = Engine - 2.4L 4 Cyl
DOHC 16v SMPI
EKG = Engine - 3.7L V6
ENJ = Engine -2.5L 4 Cyl 16V
Turbo Diesel
ENR = Engine - 2.8L 4 Cyl
Turbo Diesel
EN0 = 4Cyl Turbo Diesel
EKO = All 3.7L
EDO = All 2.4L

TRANSMISSION

DDD = Transmission - 5-Speed HD
Manual
DDK = Transmission - 5-Speed HD
Manual
DG4 = Transmission-Multi-Speed
Auto, 45RFE
DG6 = Transmission-4-Spd.
Automatic, 42RLE
DGQ = Transmission-5-Spd Automatic
5-45RFE
DBB = All Manual Transmissions
DG0 = All Automatic Transmissions

AR = use ase required - = Non illustrated part

2004 KJ

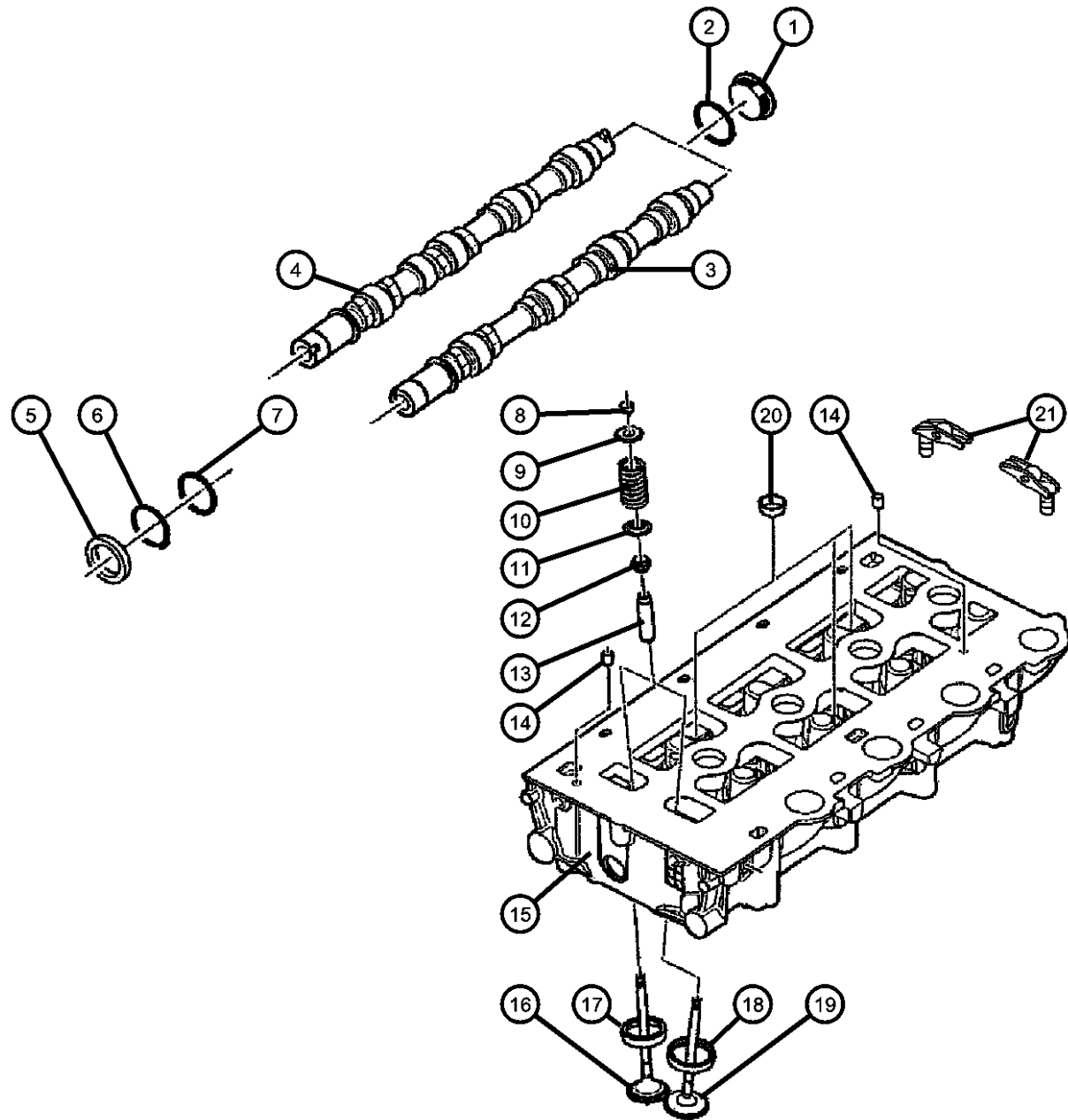
**Camshaft and Valves 2.5L [ENJ]
Figure 2.5LD-510**

ITEM	PART NUMBER	QTY	LINE	SERIES	BODY	ENGINE	TRANS	TRIM	DESCRIPTION
------	-------------	-----	------	--------	------	--------	-------	------	-------------

NOTE: Cover Assembly Includes: Cylinder Head Cover; Camshafts with Seals, Snap Rings, Spacers and Cover Plugs with their Gaskets
Sales Codes:

[DBB] = All Manual Transmissions

[EN0] = All 4 Cylinder Turbo Diesel Engines



1	05066855AA	2				EN0	DBB		PLUG, Camshaft
2	05066811AA	2				EN0	DBB		WASHER, Plain, 16.2x19.9x1.5
3	05066850AB	1				EN0	DBB		CAMSHAFT, Exhaust
4	05066847AB	1				EN0	DBB		CAMSHAFT, Intake
5	05066958AA	2				EN0	DBB		SEAL
6	05066841AA	2				EN0	DBB		SNAP RING
7	05066844AA	2				EN0	DBB		SPACER
8	05066778AA	32				EN0	DBB		LOCK, Valve Spring Retainer
9	05093892AA	16				EN0	DBB		RETAINER, Valve Spring
10	05066776AA	16				EN0	DBB		SPRING, Valve
11	05066775AA	16				EN0	DBB		SEAL, Valve Guide
12	05093891AA	16				EN0	DBB		SEAL, Valve Guide
13	05066773AA	16				EN0	DBB		GUIDE, Intake/Exhaust Valve, Standard Size
14	04720165	1				EN0	DBB		DOWEL, Rocker
15	05093893AB	1				EN0	DBB		HEAD, Cylinder
16	05066769AA	1				EN0	DBB		VALVE, Exhaust, Standard
17	05066771AA	8				EN0	DBB		SEAT, Exhaust Valve, 0.30mm Oversize
18	05066772AA	8				EN0	DBB		SEAT, Intake Valve
19	05066770AA	8				EN0	DBB		VALVE, Intake, Standard
20	04723211	2				EN0	DBB		PLUG, Cylinder Block Oil Hole
21	05066780AA	16				EN0	DBB		ROCKER ARM, Inlet and Exhaust Valve

LIBERTY (KJ)

SERIES

P = Limited
H = Sport
M = Renegade

LINE

J = LHD (4WD)
U = RHD (4WD)
T = LHD (2WD)

BODY

74 = 4 Door (104.3 WB)

ENGINE

ED1 = Engine - 2.4L 4 Cyl
DOHC 16v SMPI
EKG = Engine - 3.7L V6
ENJ = Engine -2.5L 4 Cyl 16V
Turbo Diesel
ENR = Engine - 2.8L 4 Cyl
Turbo Diesel
EN0 = 4Cyl Turbo Diesel
EKO = All 3.7L
ED0 = All 2.4L

TRANSMISSION

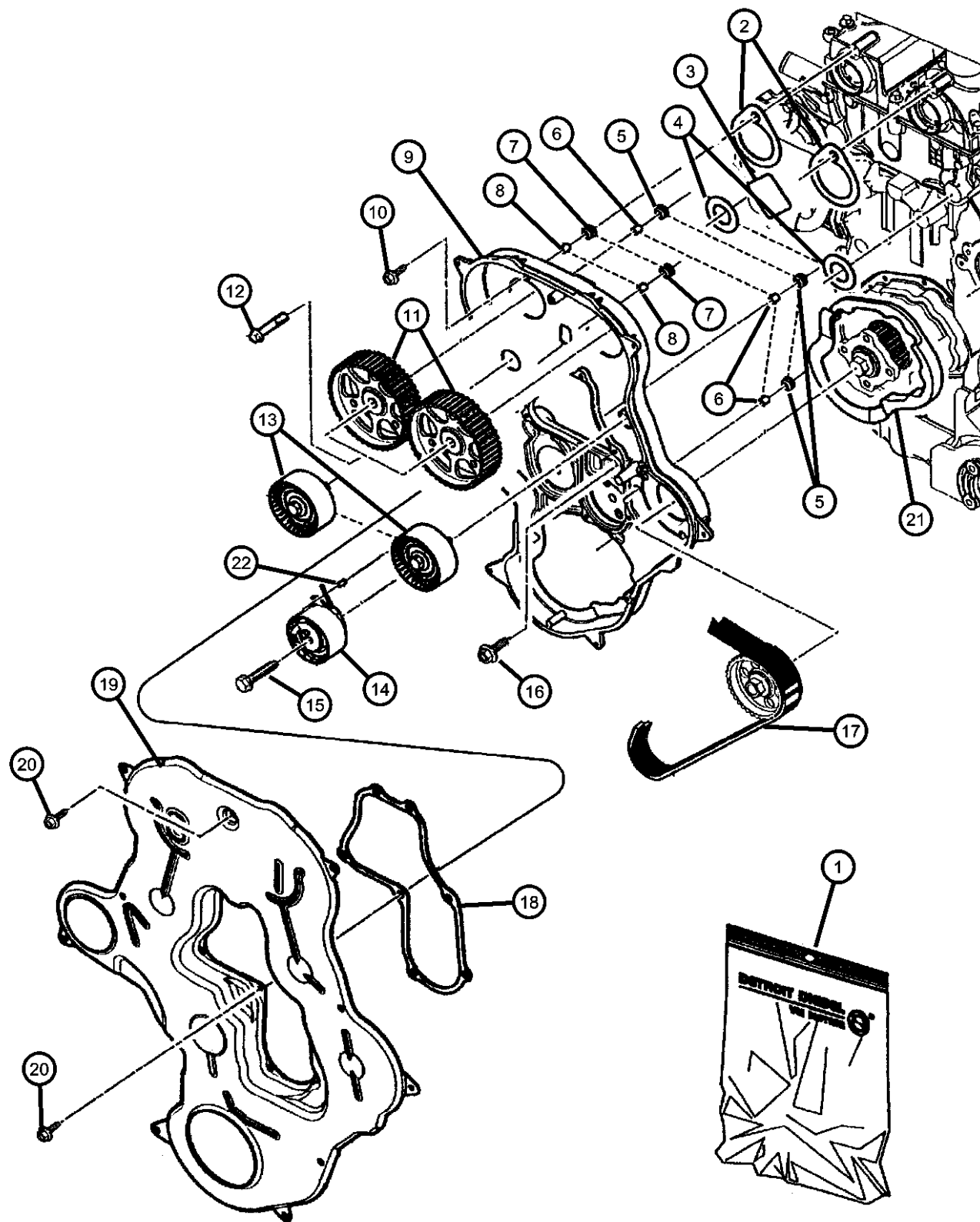
DDD = Transmission - 5-Speed HD
Manual
DDK = Transmission - 5-Speed HD
Manual
DG4 = Transmission-Multi-Speed
Auto, 45RFE
DG6 = Transmission-4-Spd.
Automatic, 42RLE
DGQ = Transmission-5-Spd Automatic
5-45RFE
DBB = All Manual Transmissions
DG0 = All Automatic Transmissions

AR = use ase required - = Non illustrated part

2004 KJ

Timing Cover and Related Parts 2.5L [ENJ]

Figure 2.5LD-610



ITEM	PART NUMBER	QTY	LINE	SERIES	BODY	ENGINE	TRANS	TRIM	DESCRIPTION
NOTE: Sales Codes: [DBB] = All Manual Transmissions [EN0] = All 4 Cylinder Turbo Diesel Engines									
1	05019861AA	1				EN0	DBB		GASKET KIT, Timing Cover
2	05019861AA	1							GASKET, Serviced In # 1, (NOT SERVICED)
3	05019861AA	1							GASKET, Serviced In # 1, (NOT SERVICED)
4	05019861AA	1							GASKET, Serviced In # 1, (NOT SERVICED)
5	05019861AA	1							DAMPER, Vibration, Serviced In # 1, (NOT SERVICED)
6	05019861AA	1							BUSHING, Balance Shaft, Serviced In # 1, (NOT SERVICED)
7	05019861AA	1							DAMPER, Vibration, Serviced In # 1, (NOT SERVICED)
8	05019861AA	1							BUSHING, Balance Shaft, Serviced In # 1, (NOT SERVICED)
9	05073446AB	1				EN0	DBB		COVER, Timing Case
10	05069114AA	5				EN0	DBB		SCREW
11	05066926AA	2				EN0	DBB		GEAR, Balance Shaft
12	04897825AA	2				EN0	DBB		SCREW
13	05093931AA	2				EN0	DBB		PULLEY, Idler
14	05066826AA	1				EN0	DBB		TENSIONER, Belt
15	05015031AA	1				EN0	DBB		SCREW
16	05003532AA	4				EN0	DBB		BOLT, Adaptor Plate
17	05066928AA	1				EN0	DBB		BELT, Timing
18	05066921AA	1				EN0	DBB		GASKET, Timing Cover
19	05066919AB	1				EN0	DBB		COVER, Timing Case
20	05069112AA	17				EN0	DBB		SCREW
21	04863779	1				EN0	DBB		GASKET, Vacuum Pump, .
22	04720304	1				EN0	DBB		DOWEL, Front Cover
-23									BELT KIT, Timing

LIBERTY (KJ)

SERIES LINE
P = Limited J = LHD (4WD)
H = Sport U = RHD (4WD)
M = Renegade T = LHD (2WD)

BODY
74 = 4 Door (104.3 WB)

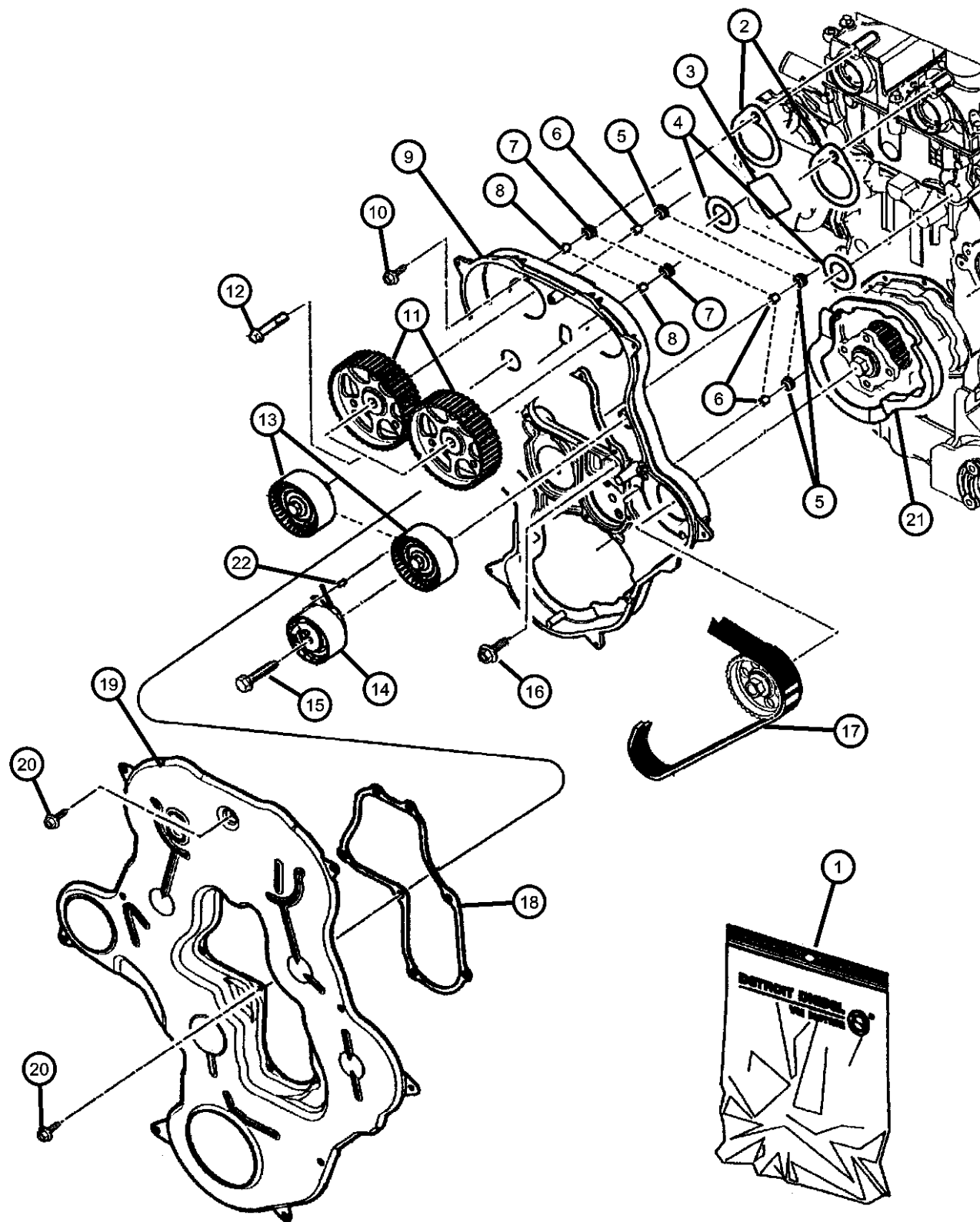
ENGINE
ED1 = Engine - 2.4L 4 Cyl
DOHC 16v SMPI
EKG = Engine - 3.7L V6
ENJ = Engine -2.5L 4 Cyl 16V
Turbo Diesel
ENR = Engine - 2.8L 4 Cyl
Turbo Diesel
EN0 = 4Cyl Turbo Diesel
EKO = All 3.7L
ED0 = All 2.4L

TRANSMISSION
DDD = Transmission - 5-Speed HD
Manual
DDK = Transmission - 5-Speed HD
Manual
DG4 = Transmission-Multi-Speed
Auto, 45RFE
DG6 = Transmission-4-Spd.
Automatic, 42RLE
DGQ = Transmission-5-Spd Automatic
5-45RFE
DBB = All Manual Transmissions
DG0 = All Automatic Transmissions

AR = use ase required - = Non illustrated part

Timing Cover and Related Parts 2.5L [ENJ]

Figure 2.5LD-610



ITEM	PART NUMBER	QTY	LINE	SERIES	BODY	ENGINE	TRANS	TRIM	DESCRIPTION
------	-------------	-----	------	--------	------	--------	-------	------	-------------

	05139028AA	1				EN0	DG0		
		1				EN0	DBB		

LIBERTY (KJ)

SERIES

P = Limited
H = Sport
M = Renegade

LINE

J = LHD (4WD)
U = RHD (4WD)
T = LHD (2WD)

BODY

74 = 4 Door (104.3 WB)

ENGINE

ED1 = Engine - 2.4L 4 Cyl
DOHC 16v SMPI
EKG = Engine - 3.7L V6
ENJ = Engine -2.5L 4 Cyl 16V
Turbo Diesel
ENR = Engine - 2.8L 4 Cyl
Turbo Diesel
EN0 = 4Cyl Turbo Diesel
EKO = All 3.7L
EDO = All 2.4L

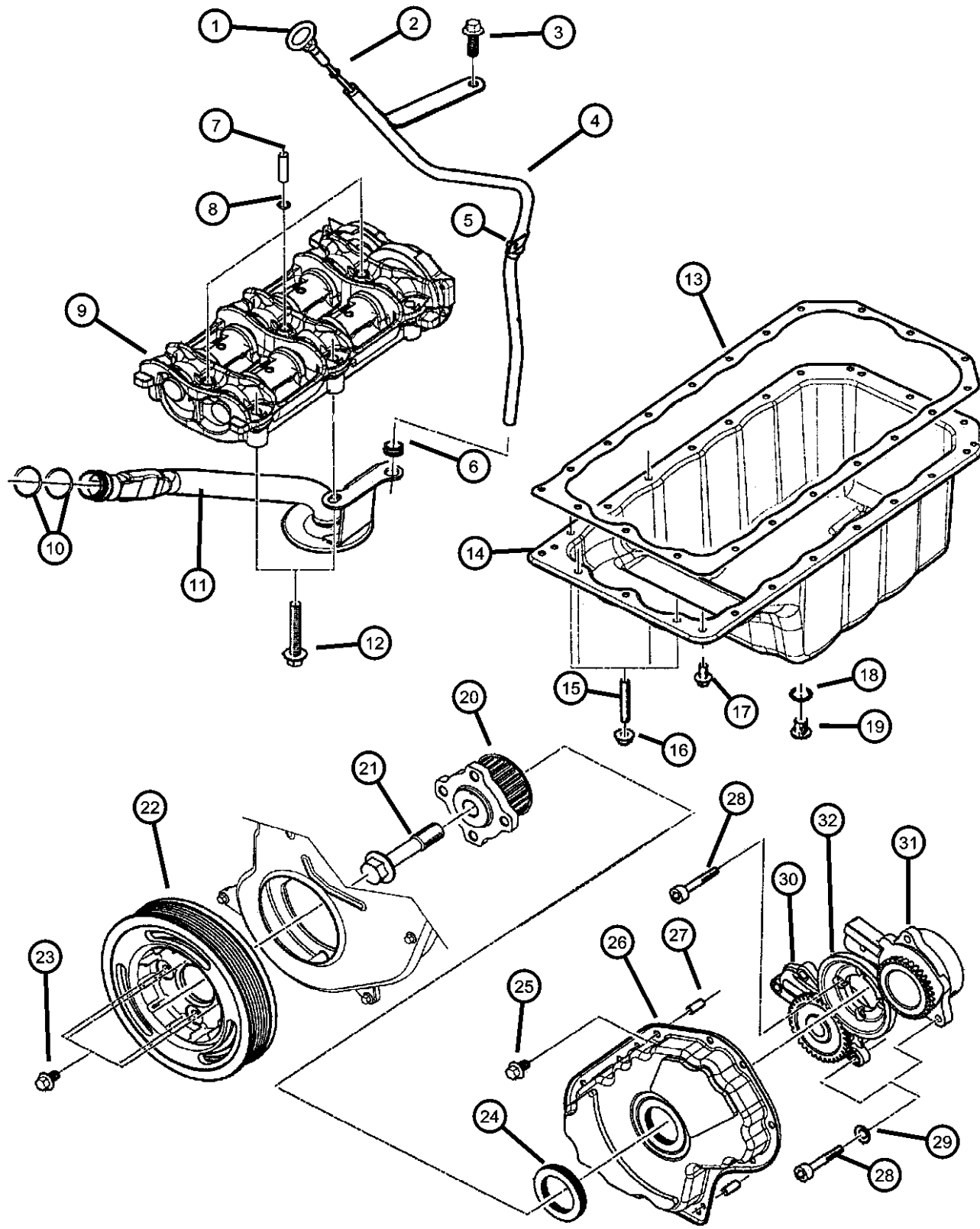
TRANSMISSION

DDD = Transmission - 5-Speed HD
Manual
DDK = Transmission - 5-Speed HD
Manual
DG4 = Transmission-Multi-Speed
Auto, 45RFE
DG6 = Transmission-4-Spd.
Automatic, 42RLE
DGQ = Transmission-5-Spd Automatic
5-45RFE
DBB = All Manual Transmissions
DG0 = All Automatic Transmissions

AR = use ase required - = Non illustrated part

2004 KJ

**Engine Oiling and Balance Shafts 2.5L [ENJ]
Figure 2.5LD-710**



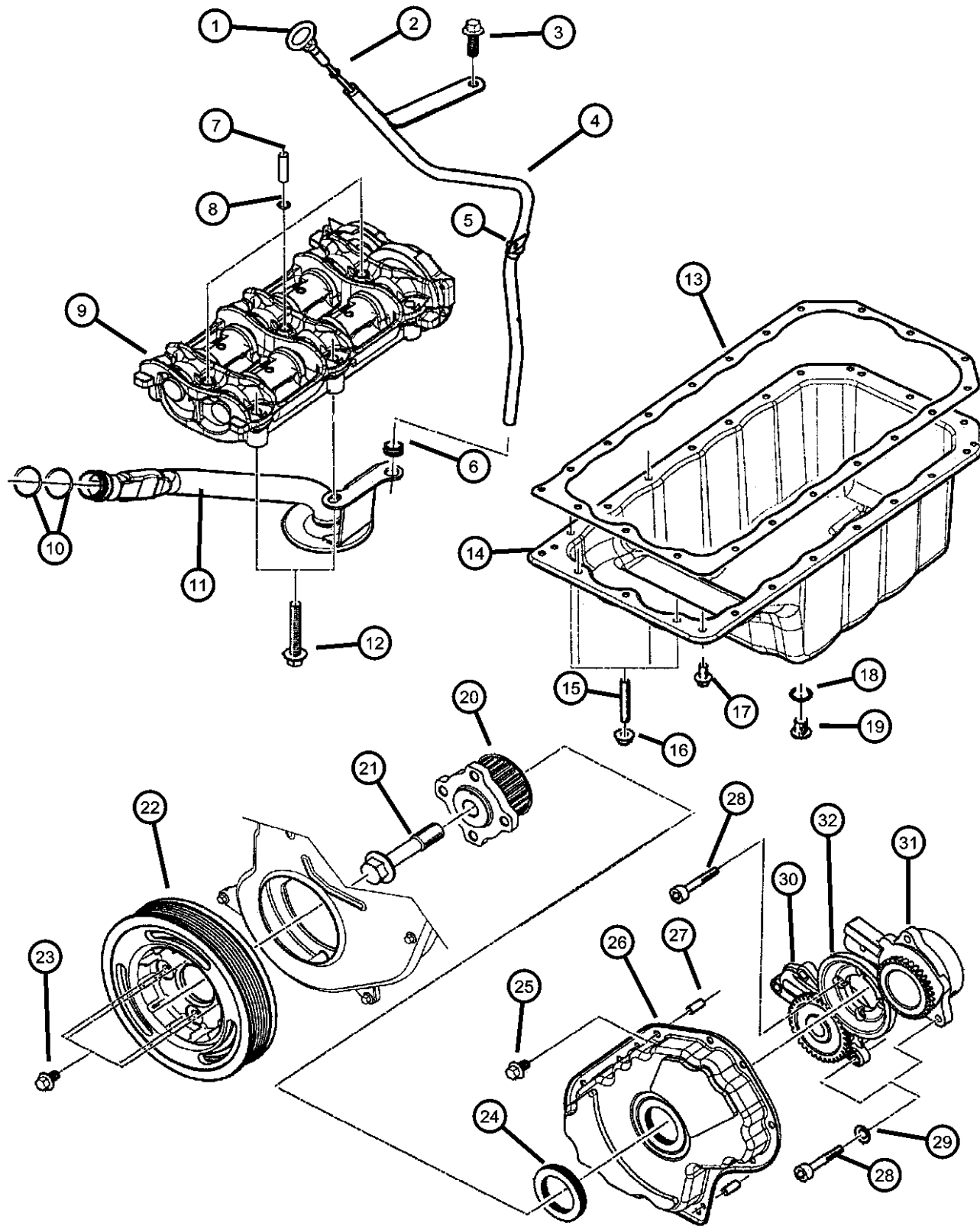
ITEM	PART NUMBER	QTY	LINE	SERIES	BODY	ENGINE	TRANS	TRIM	DESCRIPTION
1	05072682AB	1				EN0	DBB		INDICATOR, Engine Oil Level
2	04720373	1				EN0	DBB		O RING, Engine Oil Indicator
3	05003554AA	3				EN0	DBB		SCREW
4	05072681AC	1				EN0	DBB		TUBE, Oil Gauge
5	05083157AA	1				EN0	DBB		O RING
6	04720362	2				EN0	DBB		GASKET, Engine Oil Indicator Pipe
7	05093899AA	3				EN0	DBB		PIN
8	05066899AA	3				EN0	DBB		O RING
9	05066890AA	1				EN0	DBB		SHAFT, Balance
10	05066789AB	2				EN0	DBB		O RING, Oil Suction Tube
11	05072680AB	1				EN0	DBB		PICKUP, Engine Oil
12	05066962AA	6				EN0	DBB		SCREW
13	05066901AA	1				EN0	DBB		GASKET, Oil Pan
14	05072683AA	1				EN0	DBB		PAN, Engine Oil
15	04864745	1				EN0	DBB		BOLT
16	04778936	1				EN0	DBB		NUT, Suction Pipe Attaching
17	04864748	20				EN0	DBB		BOLT
18	04720353	1				EN0	DBB		WASHER, Plain
19	04720352	1				EN0	DBB		PLUG, Oil Drain
20	05066978AA	1				EN0	DBB		PULLEY, Crankshaft
21	05066832AA	1				EN0	DBB		SCREW
22	05072669AA	1				EN0	DBB		PULLEY, Crankshaft
23	05069138AA	4				EN0	DBB		SCREW, Damper Mounting
24	05072670AA	1				EN0	DBB		SEAL, Front Main Crankshaft
25	04864748	12				EN0	DBB		BOLT
26	05066955AA	1				EN0	DBB		COVER, Timing Belt
27	05066834AA	2				EN0	DBB		PIN

NOTE:
Sales Codes:
[DBB] = All Manual Transmissions
[EN0] = All 4 Cylinder Turbo Diesel Engines

LIBERTY (KJ)				
SERIES	LINE	BODY	ENGINE	TRANSMISSION
P = Limited	J = LHD (4WD)	74 = 4 Door (104.3 WB)	ED1 = Engine - 2.4L 4 Cyl DOHC 16v SMPI	DDD = Transmission - 5-Speed HD Manual
H = Sport	U = RHD (4WD)		EKG = Engine - 3.7L V6	DDK = Transmission - 5-Speed HD Manual
M = Renegade	T = LHD (2WD)		ENJ = Engine -2.5L 4 Cyl 16V Turbo Diesel	DG4 = Transmission-Multi-Speed Auto, 45RFE
			ENR = Engine - 2.8L 4 Cyl Turbo Diesel	DG6 = Transmission-4-Spd. Automatic, 42RLE
			EN0 = 4Cyl Turbo Diesel	DGQ = Transmission-5-Spd Automatic 5-45RFE
			EK0 = All 3.7L	DBB = All Manual Transmissions
			ED0 = All 2.4L	DG0 = All Automatic Transmissions

AR = use ase required - = Non illustrated part

**Engine Oiling and Balance Shafts 2.5L [ENJ]
Figure 2.5LD-710**



ITEM	PART NUMBER	QTY	LINE	SERIES	BODY	ENGINE	TRANS	TRIM	DESCRIPTION
28	04720658	10				EN0	DBB		SCREW, Intake Manifold Elbow
29	04723204	5				EN0	DBB		WASHER, Implement Attaching
30	05093890AA	1				EN0	DBB		PUMP, Engine Oil
31	05072673AA	1				EN0	DBB		PUMP, Vacuum
32	05066835AA	1				EN0	DBB		GEAR, Ring

LIBERTY (KJ)

SERIES

P = Limited
H = Sport
M = Renegade

LINE

J = LHD (4WD)
U = RHD (4WD)
T = LHD (2WD)

BODY

74 = 4 Door (104.3 WB)

ENGINE

ED1 = Engine - 2.4L 4 Cyl
DOHC 16v SMPI
EKG = Engine - 3.7L V6
ENJ = Engine -2.5L 4 Cyl 16V
Turbo Diesel
ENR = Engine - 2.8L 4 Cyl
Turbo Diesel
EN0 = 4Cyl Turbo Diesel
EKO = All 3.7L
EDO = All 2.4L

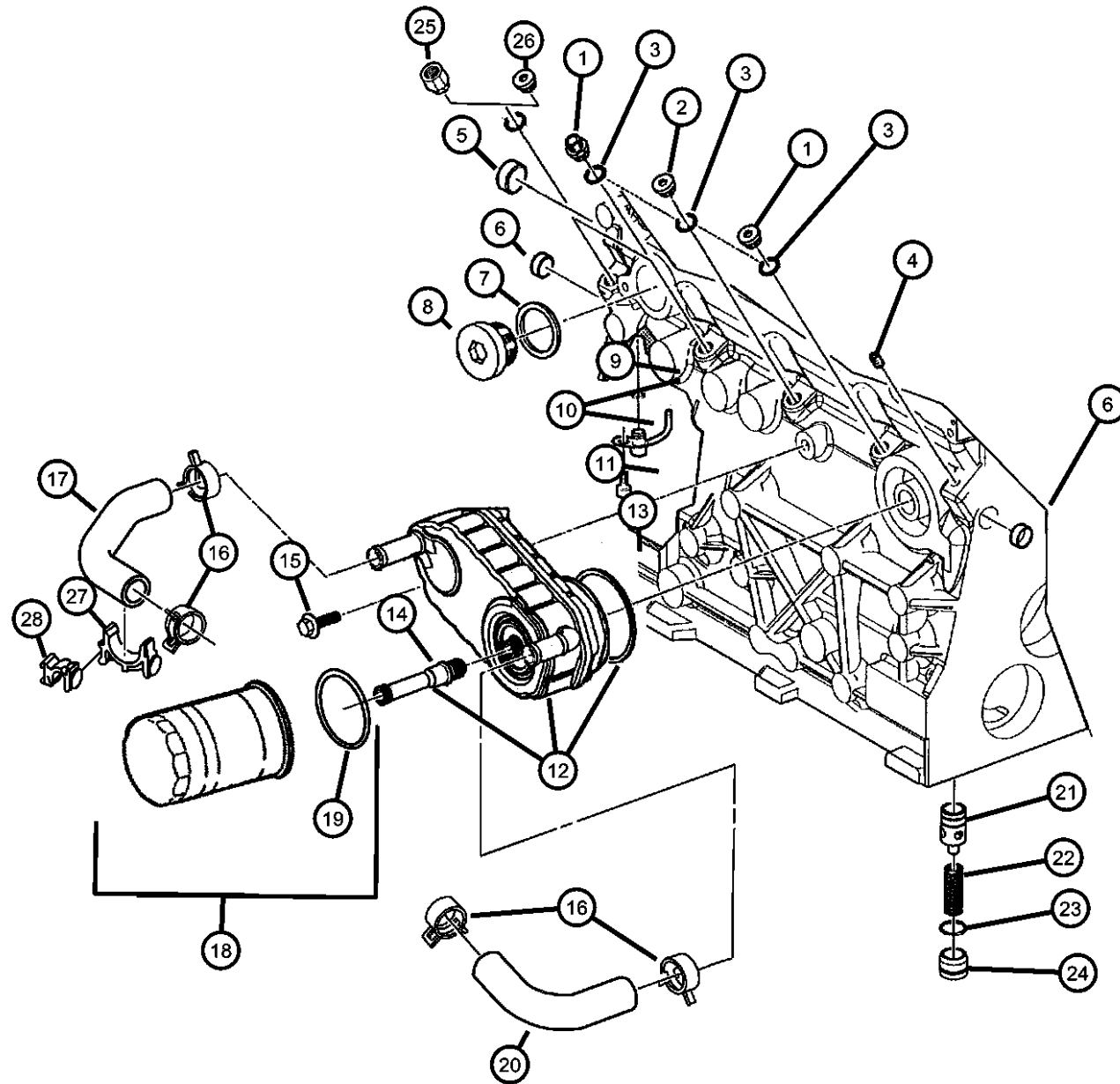
TRANSMISSION

DDD = Transmission - 5-Speed HD
Manual
DDK = Transmission - 5-Speed HD
Manual
DG4 = Transmission-Multi-Speed
Auto, 45RFE
DG6 = Transmission-4-Spd.
Automatic, 42RLE
DGQ = Transmission-5-Spd Automatic
5-45RFE
DBB = All Manual Transmissions
DG0 = All Automatic Transmissions

AR = use ase required - = Non illustrated part

2004 KJ

**Oil Cooler 2.5L [ENJ]
Figure 2.5LD-720**



ITEM	PART NUMBER	QTY	LINE	SERIES	BODY	ENGINE	TRANS	TRIM	DESCRIPTION
NOTE: Sales Codes: [DBB]=All Manual Transmissions [EN0]=All 4 Cylinder Turbo Diesel Engines									
1	05066889AA	2				EN0	DBB		BOLT, Oil Feed To Turbo Adapter
2	05066814AA	1				EN0	DBB		BOLT, Turbo Oil Feed Adapter
3	04720704	4				EN0	DBB		WASHER, Oil Pressure Transducer
4	04883424AA	1				EN0	DBB		PLUG, Cylinder Block
5	04778887	1				EN0	DBB		PLUG, Cylinder Block Oil Hole
6	04723211	2				EN0	DBB		PLUG, Cylinder Block Oil Hole
7	05066811AA	1				EN0	DBB		WASHER, Plain, 16.2x19.9x1.5
8	05066855AA	1				EN0	DBB		PLUG, Camshaft
9	04864689	4				EN0	DBB		O RING
10	05066812AB	4				EN0	DBB		JET, Valve Body
11	04882620	1				EN0	DBB		SCREW
12	05093913AA	1				EN0	DBB		COOLER, Engine Oil
13	04723217	1				EN0	DBB		O RING, Oil Cooler
14	05015178AA	1				EN0	DBB		FITTING, Engine Oil Cooler
15	05003724AA	1				EN0	DBB		SCREW
16	04883924AA	4				EN0	DBB		CLAMP, Heater Hose
17	05072710AA	1				EN0	DBB		HOSE, Engine Oil Cooler
18	05003558AA	1				EN0	DBB		FILTER, Engine Oil
19	05066946AA	1				EN0	DBB		GASKET
20	05072709AA	1				EN0	DBB		HOSE, Engine Oil Cooler
21	05066816AA	1				EN0	DBB		VALVE, Oil Pressure Relief
22	05093915AA	1				EN0	DBB		SPRING, Oil Pressure Relief Valve
23	05066887AA	1				EN0	DBB		O RING
24	05066886AA	1				EN0	DBB		PLUG
25	05093916AA	1				EN0	DBB		ADAPTER
26	05066889AA	2				EN0	DBB		BOLT, Oil Feed To Turbo Adapter

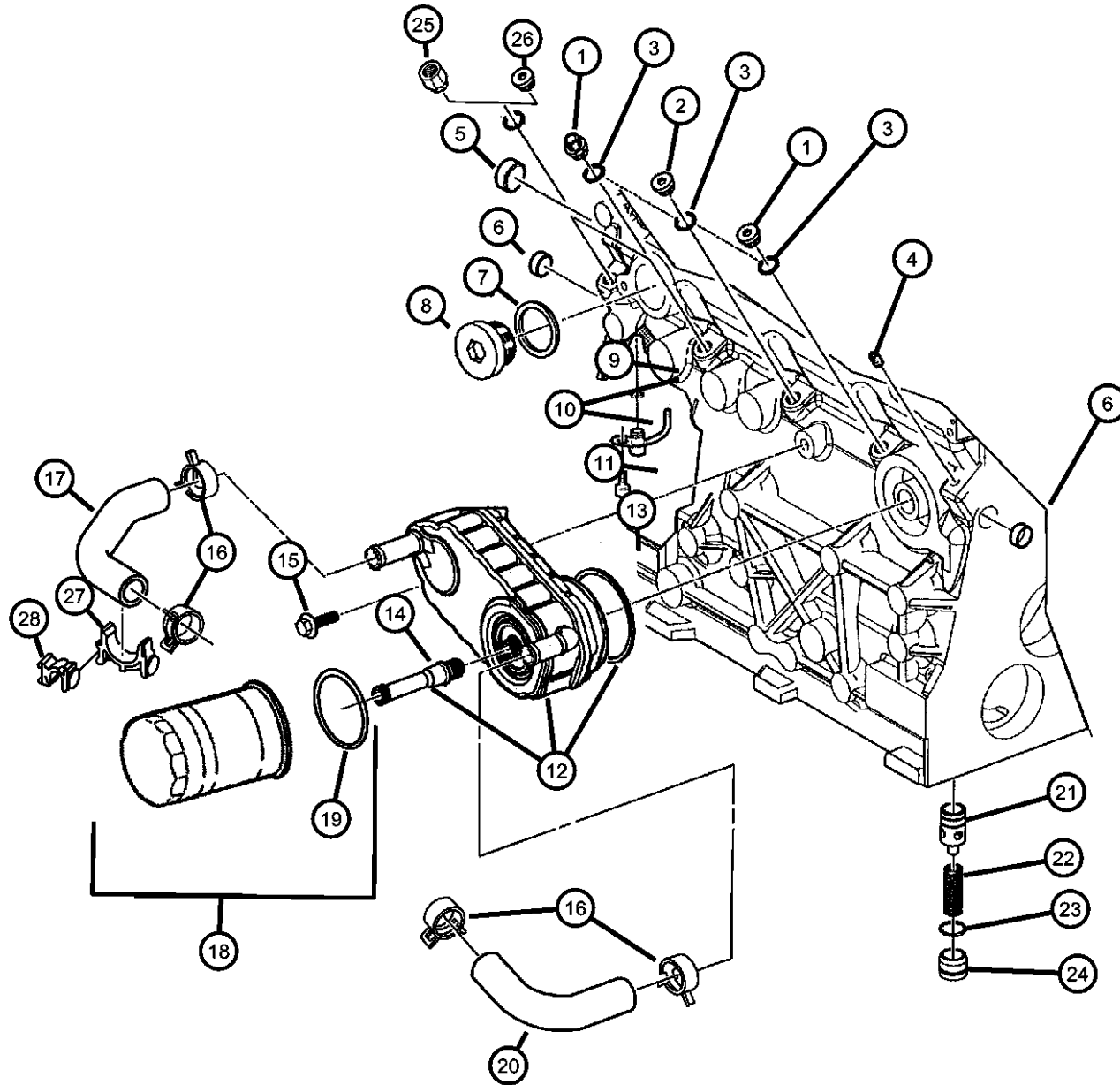
LIBERTY (KJ)

SERIES	LINE	BODY	ENGINE	TRANSMISSION
P = Limited	J = LHD (4WD)	74 = 4 Door (104.3 WB)	ED1 = Engine - 2.4L 4 Cyl DOHC 16v SMPI	DDD = Transmission - 5-Speed HD Manual
H = Sport	U = RHD (4WD)		EKG = Engine - 3.7L V6	DDK = Transmission - 5-Speed HD Manual
M = Renegade	T = LHD (2WD)		ENJ = Engine -2.5L 4 Cyl 16v Turbo Diesel	DG4 = Transmission-Multi-Speed Auto, 45RFE
			ENR = Engine - 2.8L 4 Cyl Turbo Diesel	DG6 = Transmission-4-Spd. Automatic, 42RLE
			EN0 = 4Cyl Turbo Diesel	DGQ = Transmission-5-Spd Automatic 5-45RFE
			ED0 = All 2.4L	DBB = All Manual Transmissions
				DG0 = All Automatic Transmissions

AR = use ase required - = Non illustrated part

Oil Cooler 2.5L [ENJ]
Figure 2.5LD-720

ITEM	PART NUMBER	QTY	LINE	SERIES	BODY	ENGINE	TRANS	TRIM	DESCRIPTION
27	05093906AA	1				EN0	DBB		CLAMP
28	05093914AA	1				EN0	DBB		CLAMP



LIBERTY (KJ)

SERIES

P = Limited
H = Sport
M = Renegade

LINE

J = LHD (4WD)
U = RHD (4WD)
T = LHD (2WD)

BODY

74 = 4 Door (104.3 WB)

ENGINE

ED1 = Engine - 2.4L 4 Cyl
DOHC 16v SMPI
EKG = Engine - 3.7L V6
ENJ = Engine -2.5L 4 Cyl 16V
Turbo Diesel
ENR = Engine - 2.8L 4 Cyl
Turbo Diesel
EN0 = 4Cyl Turbo Diesel
EKO = All 3.7L
ED0 = All 2.4L

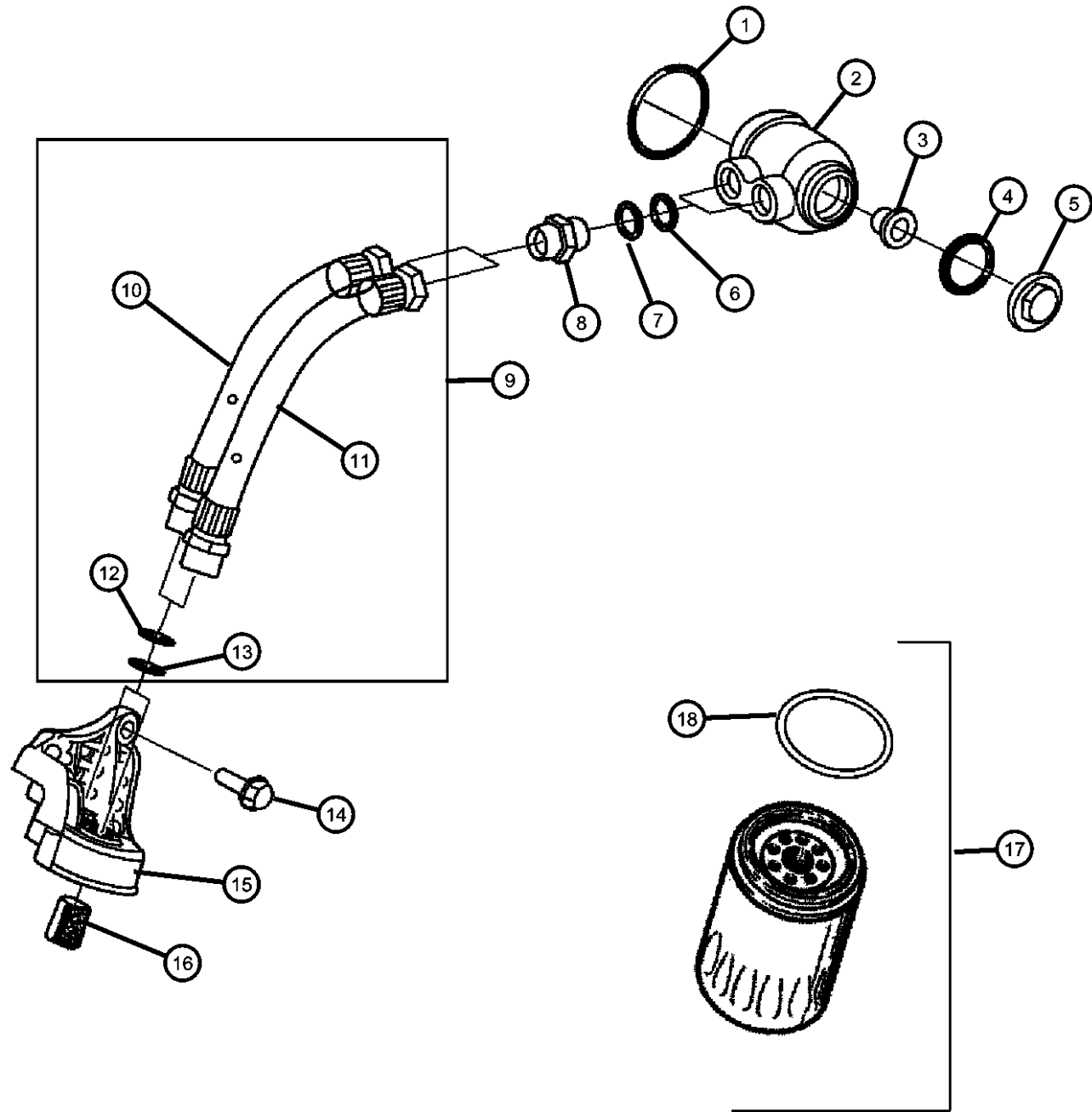
TRANSMISSION

DDD = Transmission - 5-Speed HD
Manual
DDK = Transmission - 5-Speed HD
Manual
DG4 = Transmission-Multi-Speed
Auto, 45RFE
DG6 = Transmission-4-Spd.
Automatic, 42RLE
DGQ = Transmission-5-Spd Automatic
5-45RFE
DBB = All Manual Transmissions
DG0 = All Automatic Transmissions

AR = use ase required - = Non illustrated part

2004 KJ

**Engine Oil Filter Adapter And Lines 2.5L Diesel [ENJ]
Figure 2.5LD-730**



ITEM	PART NUMBER	QTY	LINE	SERIES	BODY	ENGINE	TRANS	TRIM	DESCRIPTION
1	04720375	1				EN0	DG0		O RING, Oil Filter Base
2	05072716AA	1				EN0	DBB		ADAPTER, Oil Filter
3	04723334	1				EN0	DG0		GASKET, Valve
4	04886305AA	1				EN0	DG0		O RING, Oil Filter Adapter
5	05072718AB	1				EN0	DG0		NUT
6	05159122AA	4				EN0	DG0		WASHER
7	05159213AA	4				EN0	DBB		WASHER
8	05093920AA	2				EN0	DBB		UNION
9	05183851AA	1				EN0	DG0		PIPE, Kit Includes 10,11,12,13

LIBERTY (KJ)

SERIES

P = Limited
H = Sport
M = Renegade

LINE

J = LHD (4WD)
U = RHD (4WD)
T = LHD (2WD)

BODY

74 = 4 Door (104.3 WB)

ENGINE

ED1 = Engine - 2.4L 4 Cyl
DOHC 16v SMPI
EKG = Engine - 3.7L V6
ENJ = Engine -2.5L 4 Cyl 16V
Turbo Diesel
ENR = Engine - 2.8L 4 Cyl
Turbo Diesel
EN0 = 4Cyl Turbo Diesel
EKO = All 3.7L
ED0 = All 2.4L

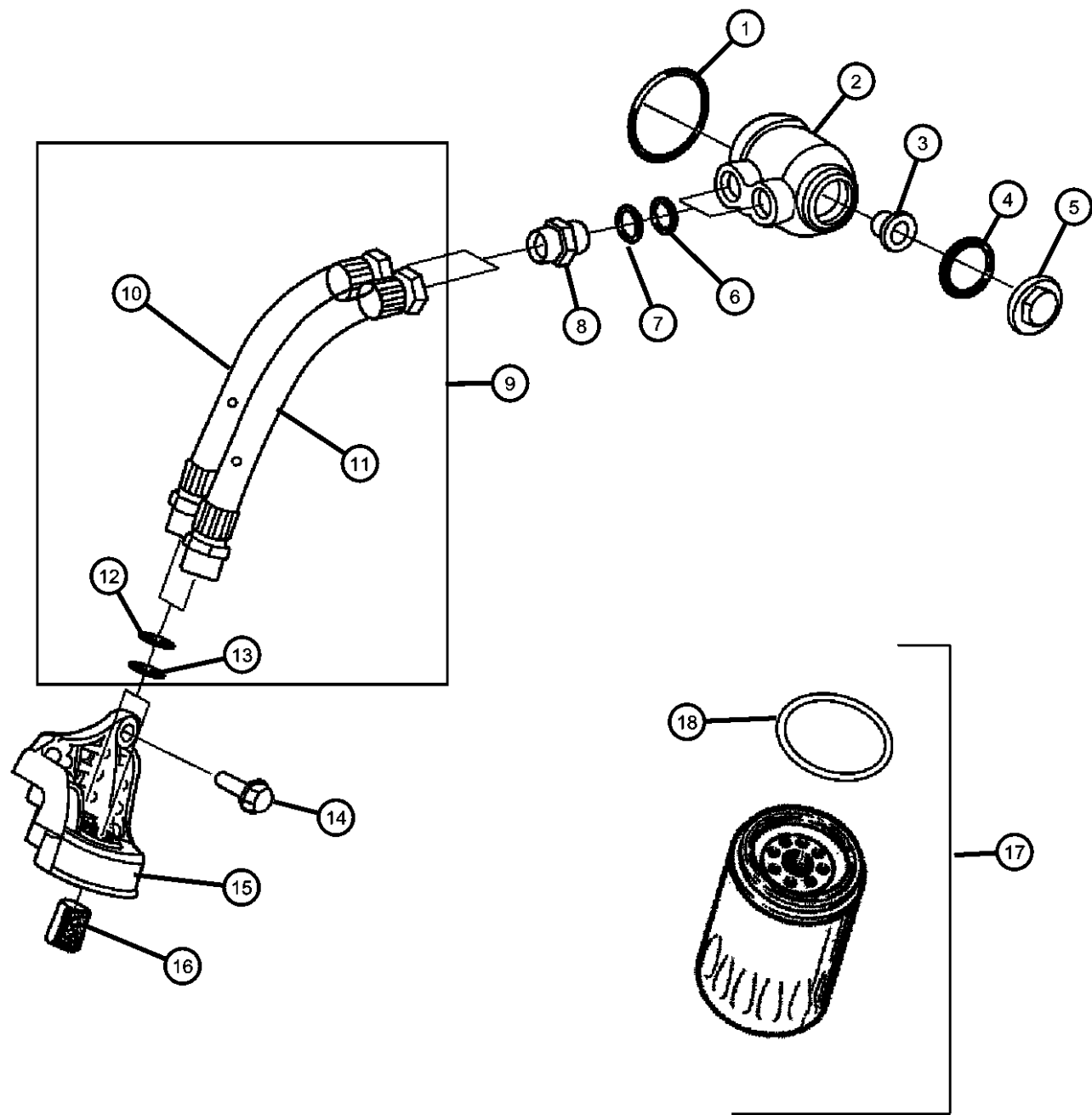
TRANSMISSION

DDD = Transmission - 5-Speed HD
Manual
DDK = Transmission - 5-Speed HD
Manual
DG4 = Transmission-Multi-Speed
Auto, 45RFE
DG6 = Transmission-4-Spd.
Automatic, 42RLE
DGQ = Transmission-5-Spd Automatic
5-45RFE
DBB = All Manual Transmissions
DG0 = All Automatic Transmissions

AR = use ase required - = Non illustrated part

2004 KJ

**Engine Oil Filter Adapter And Lines 2.5L Diesel [ENJ]
Figure 2.5LD-730**



ITEM	PART NUMBER	QTY	LINE	SERIES	BODY	ENGINE	TRANS	TRIM	DESCRIPTION
10		1				EN0	DG0		PIPE
	05183852AA	1				EN0	DBB		
11		1				EN0	DG0		PIPE
	05183853AA	1				EN0	DBB		
		1				EN0	DG0		
12		4				EN0	DBB		O RING
	05093918AA	4				EN0	DG0		
13		4				EN0	DG0		WASHER
	05159122AA	4				EN0	DBB		
14		4				EN0	DBB		BOLT, Adaptor Plate
	05003532AA	1				EN0	DG0		
15		1				EN0	DBB		BRACKET, Oil Filter Housing
	05072711AB	1				EN0	DG0		
16		1				EN0	DBB		UNION, Oil Filter Base
	04897252AA	1				EN0	DG0		
17		1				EN0	DBB		FILTER, Engine Oil
	05003558AA	1				EN0	DG0		
		1				EN0	DBB		
18		1				EN0	DG0		GASKET
	05066946AA	1				EN0	DBB		

LIBERTY (KJ)

SERIES

P = Limited
H = Sport
M = Renegade

LINE

J = LHD (4WD)
U = RHD (4WD)
T = LHD (2WD)

BODY

74 = 4 Door (104.3 WB)

ENGINE

ED1 = Engine - 2.4L 4 Cyl
DOHC 16v SMPI
EKG = Engine - 3.7L V6
ENJ = Engine -2.5L 4 Cyl 16V
Turbo Diesel
ENR = Engine - 2.8L 4 Cyl
Turbo Diesel
EN0 = 4Cyl Turbo Diesel
EKO = All 3.7L
ED0 = All 2.4L

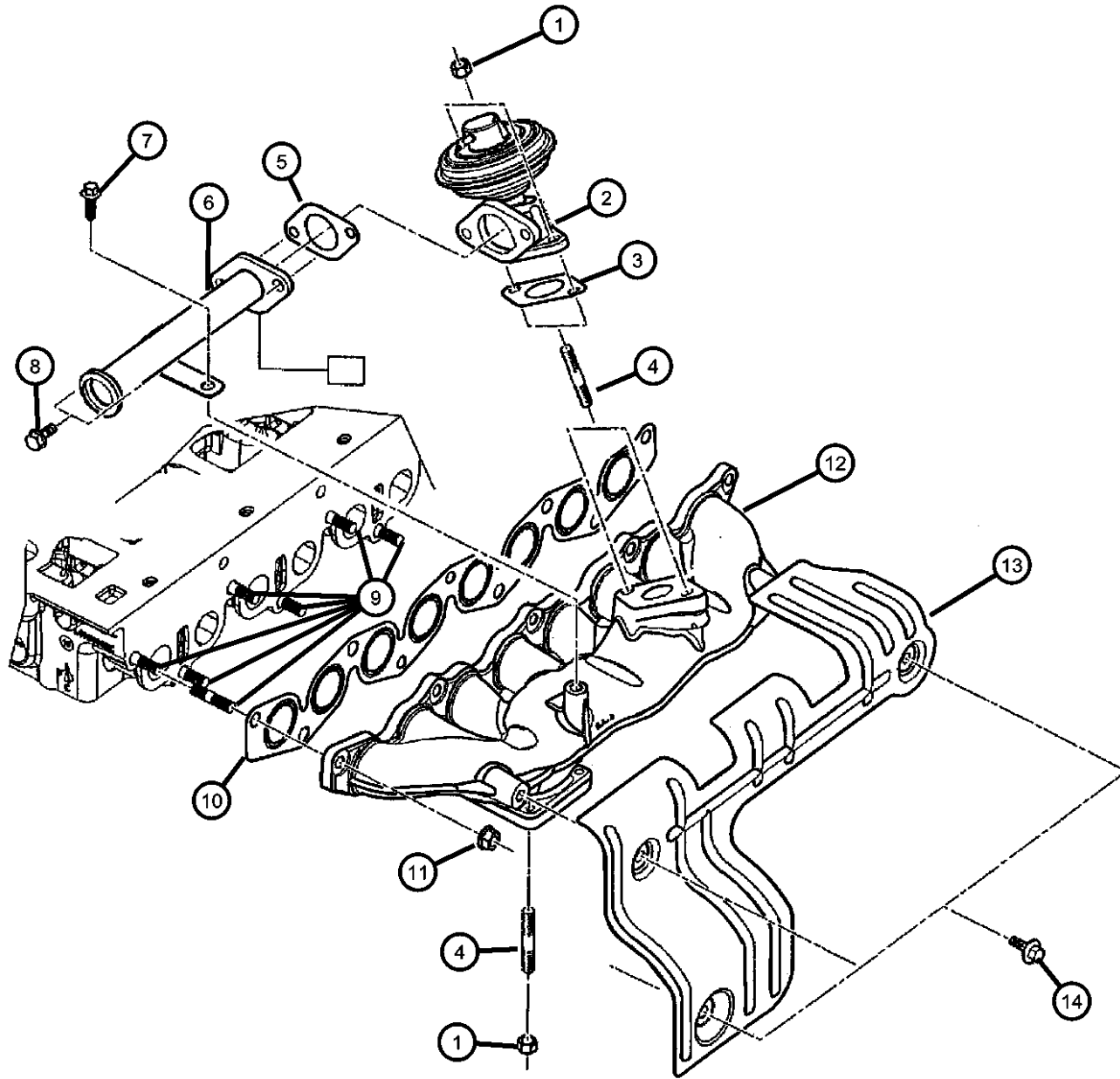
TRANSMISSION

DDD = Transmission - 5-Speed HD
Manual
DDK = Transmission - 5-Speed HD
Manual
DG4 = Transmission-Multi-Speed
Auto, 45RFE
DG6 = Transmission-4-Spd.
Automatic, 42RLE
DGQ = Transmission-5-Spd Automatic
5-45RFE
DBB = All Manual Transmissions
DG0 = All Automatic Transmissions

AR = use ase required - = Non illustrated part

2004 KJ

**Manifolds 2.5L [ENJ]
Figure 2.5LD-810**



ITEM	PART NUMBER	QTY	LINE	SERIES	BODY	ENGINE	TRANS	TRIM	DESCRIPTION
------	-------------	-----	------	--------	------	--------	-------	------	-------------

NOTE:
Sales Codes:
[DBB]=All Manual Transmissions
[EN0]=All 4 Cylinder Turbo Diesel Engines

1	04882610	6				EN0	DBB		NUT, Lock
2	05066800AB	1				EN0	DBB		VALVE, EGR
3	05083261AA	1				EN0	DBB		GASKET, EGR Tube Flange
4	04882606	6				EN0	DBB		STUD, Turbo Elbow
5	05083261AA	1				EN0	DBB		GASKET, EGR Tube Flange
6	05103249AA	1				EN0	DBB		TUBE
7	05072688AA	4				EN0	DBB		SCREW
8	05066986AA	2				EN0	DBB		SCREW
9	05066796AA	9				EN0	DBB		STUD, Turbo Elbow
10	05093904AA	1				EN0	DBB		GASKET, Intake/Exhaust Manifold
11	05093903AA	9				EN0	DBB		NUT, Lock
12	05072686AA	1				EN0	DBB		MANIFOLD, Exhaust
13	05072691AA	1				EN0	DBB		SHIELD, Exhaust Manifold
14	05072688AA	4				EN0	DBB		SCREW

LIBERTY (KJ)

SERIES	LINE	BODY	ENGINE	TRANSMISSION
P = Limited	J = LHD (4WD)	74 = 4 Door (104.3 WB)	ED1 = Engine - 2.4L 4 Cyl DOHC 16v SMPI	DDD = Transmission - 5-Speed HD Manual
H = Sport	U = RHD (4WD)		EKG = Engine - 3.7L V6	DDK = Transmission - 5-Speed HD Manual
M = Renegade	T = LHD (2WD)		ENJ = Engine -2.5L 4 Cyl 16V Turbo Diesel	DG4 = Transmission-Multi-Speed Auto, 45RFE
			ENR = Engine - 2.8L 4 Cyl Turbo Diesel	DG6 = Transmission-4-Spd. Automatic, 42RLE
			EN0 = 4Cyl Turbo Diesel	DGQ = Transmission-5-Spd Automatic 5-45RFE
			EK0 = All 3.7L	DBB = All Manual Transmissions
			ED0 = All 2.4L	DG0 = All Automatic Transmissions

AR = use ase required - = Non illustrated part

**Crankcase Ventilation 2.5L [ENJ]
Figure 2.5LD-910**

ITEM	PART NUMBER	QTY	LINE	SERIES	BODY	ENGINE	TRANS	TRIM	DESCRIPTION
------	-------------	-----	------	--------	------	--------	-------	------	-------------

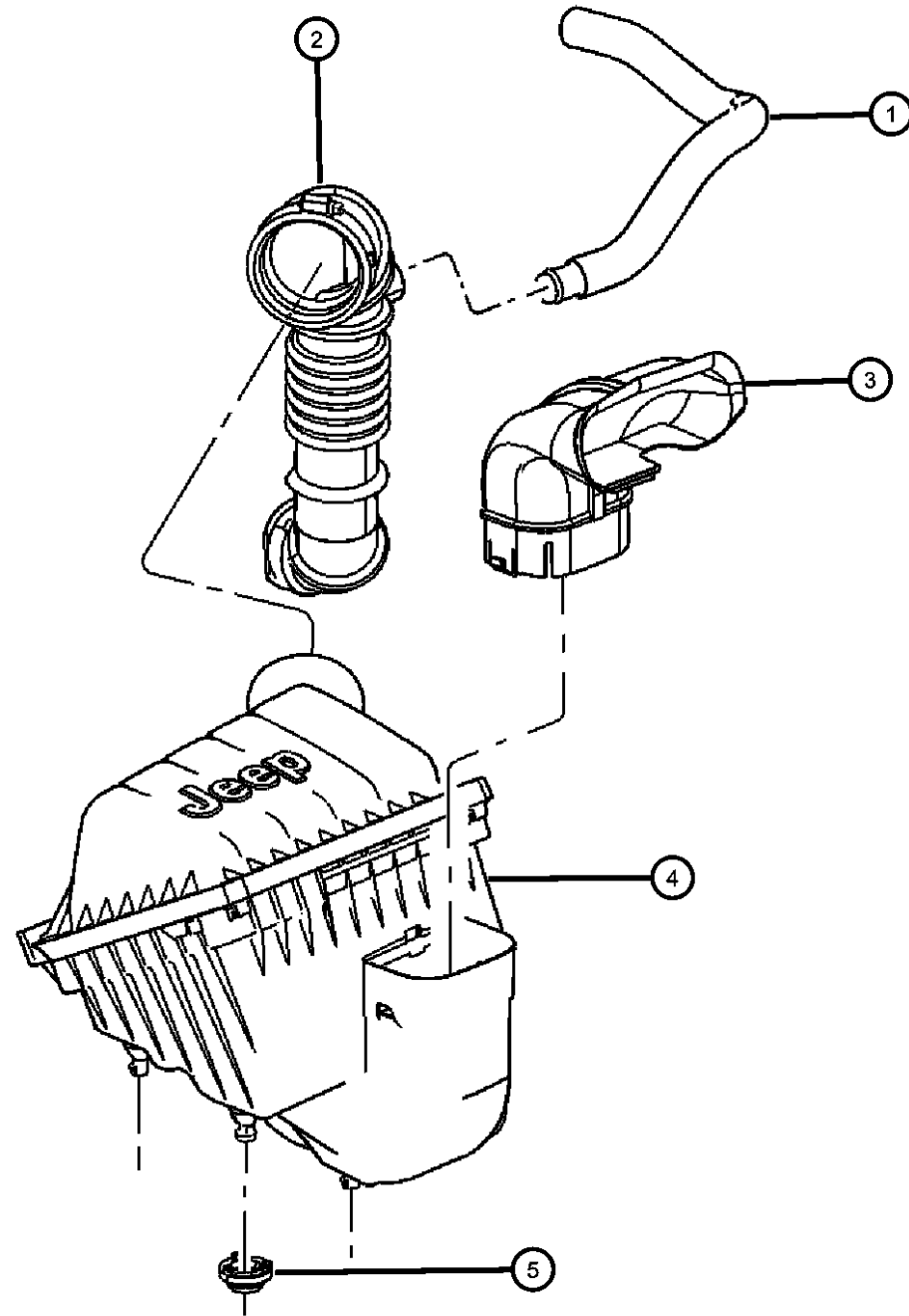
NOTE:

Sales Codes:

[DBB] = All Manual Transmissions

[EN0] = All 4 Cylinder Turbo Diesel Engines

1	53013094AC	1				EN0			HOSE, Oil Separator
2	53013104AB	1				EN0			HOSE, Clean Air
3	53013103AA	1				EK0, EN0			INLET, Fresh Air
4	53013107AB	1				EN0			AIR CLEANER
5	53013357AA	3				EK0, EN0			GROMMET, Air Cleaner



LIBERTY (KJ)

SERIES

P = Limited
H = Sport
M = Renegade

LINE

J = LHD (4WD)
U = RHD (4WD)
T = LHD (2WD)

BODY

74 = 4 Door (104.3 WB)

ENGINE

ED1 = Engine - 2.4L 4 Cyl
DOHC 16v SMPI
EKG = Engine - 3.7L V6
ENJ = Engine -2.5L 4 Cyl 16V
Turbo Diesel
ENR = Engine - 2.8L 4 Cyl
Turbo Diesel
EN0 = 4Cyl Turbo Diesel
EK0 = All 3.7L
ED0 = All 2.4L

TRANSMISSION

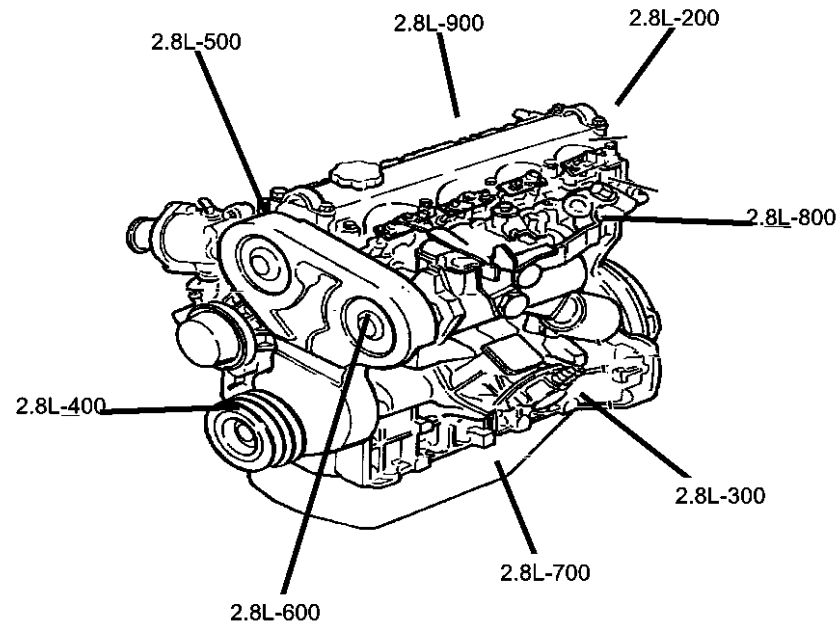
DDD = Transmission - 5-Speed HD
Manual
DDK = Transmission - 5-Speed HD
Manual
DG4 = Transmission-Multi-Speed
Auto, 45RFE
DG6 = Transmission-4-Spd.
Automatic, 42RLE
DGQ = Transmission-5-Spd Automatic
5-45RFE
DBB = All Manual Transmissions
DG0 = All Automatic Transmissions

AR = use ase required - = Non illustrated part

2004 KJ

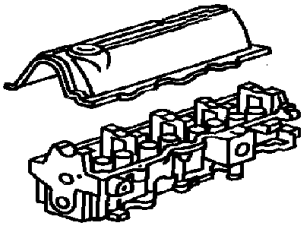
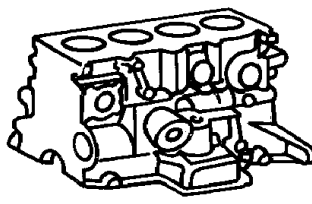
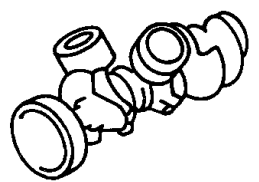
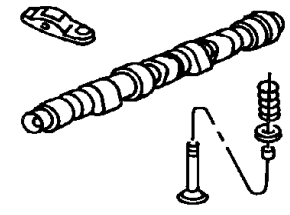
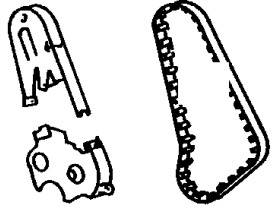
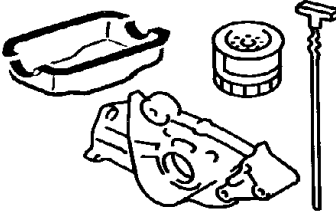
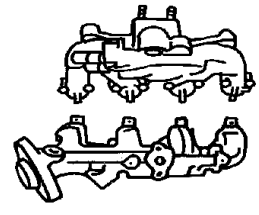
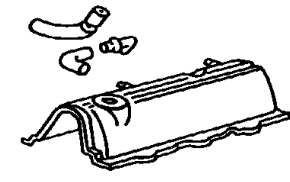
Group - 2.8L

Engine 2.8L Four Cylinder (Turbo Diesel)

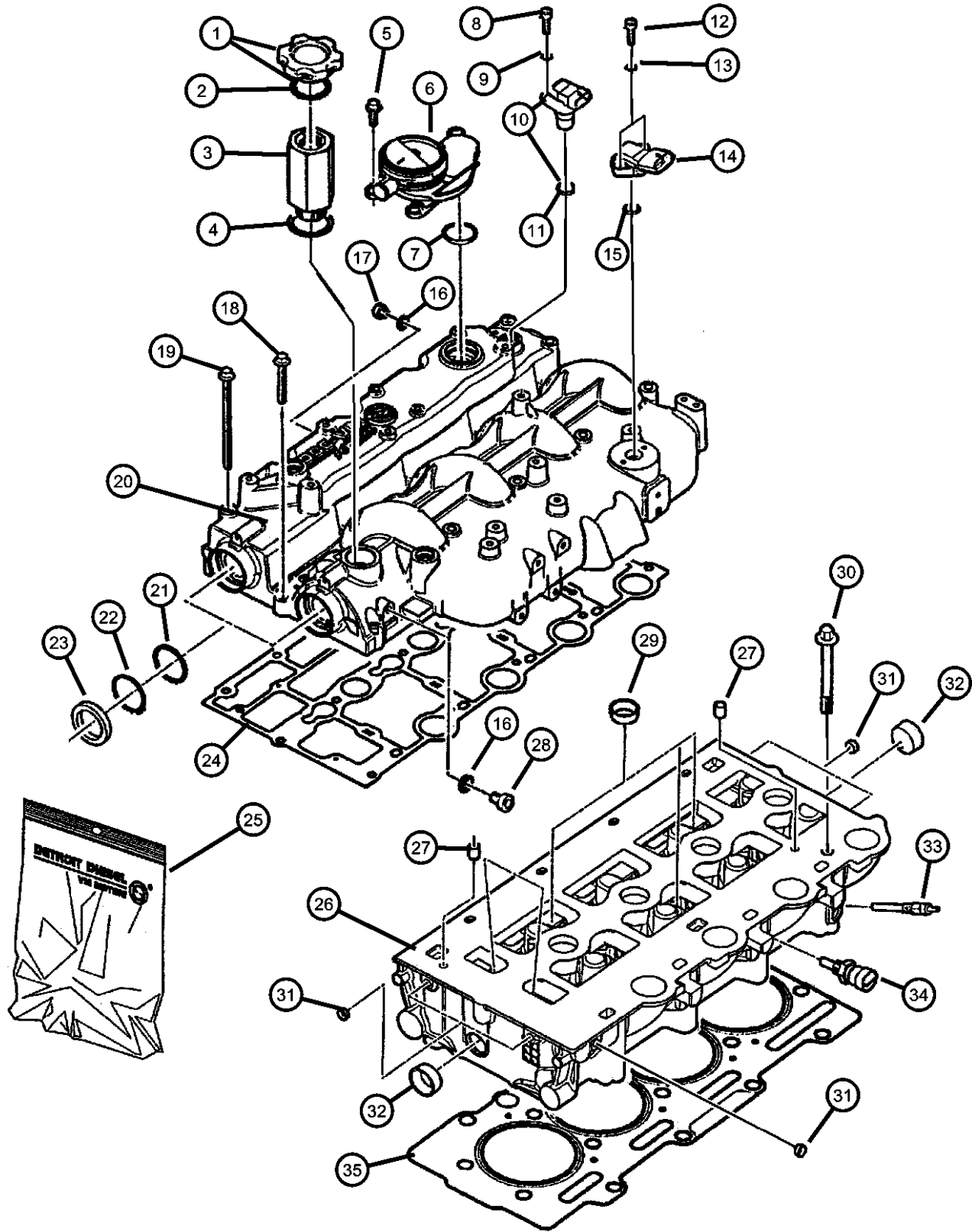


Group - 2.8L Engine 2.8L Four Cylinder (Turbo Diesel)

Illustration Title	Group-Fig. No.
Cylinder Head	
Cylinder Head 2.8 Diesel [ENR]	Fig. 2.8L - 210
Rocker Cover and Rocker Cover Assembly 2.8L Diesel [ENR]	Fig. 2.8L - 220
Cylinder Block	
Cylinder Block 2.8 Diesel [ENR]	Fig. 2.8L - 310
Crankshaft, Piston and Drive Plate	
Crankshaft, Pistons and Related, 2.8L Diesel [ENR]	Fig. 2.8L - 410
Camshafts & Valves	
Camshaft and Valves, 2.8L Diesel [ENR]	Fig. 2.8L - 510
Timing Belt and Cover	
Timing Cover And Related 2.8 Diesel [ENR]	Fig. 2.8L - 610
Engine Oiling	
Engine Oiling 2.8 Diesel [ENR]	Fig. 2.8L - 710
Oil Line 2.8 Diesel [ENR]	Fig. 2.8L - 720
Engine Oil Filter Adapter And Lines 2.8L Diesel [ENR]	Fig. 2.8L - 730
Manifolds	
Manifolds, 2.8L Diesel [ENR]	Fig. 2.8L - 810
Crankcase Ventilation	
Crankcase Ventilation 2.8 Diesel [ENR]	Fig. 2.8L - 910

<p>2.8L-200 Cylinder Head</p> 	<p>2.8L-300 Cylinder Block</p> 	<p>2.8L-400 Crankshaft, Piston and Drive Plate</p> 	<p>2.8L-500 Camshafts & Valves</p> 
<p>2.8L-600 Timing Belt and Cover</p> 	<p>2.8L-700 Engine Oiling</p> 	<p>2.8L-800 Manifolds</p> 	<p>2.8L-900 Crankcase Ventilation</p> 

**Cylinder Head 2.8 Diesel [ENR]
Figure 2.8L-210**



ITEM	PART NUMBER	QTY	LINE	SERIES	BODY	ENGINE	TRANS	TRIM	DESCRIPTION
------	-------------	-----	------	--------	------	--------	-------	------	-------------

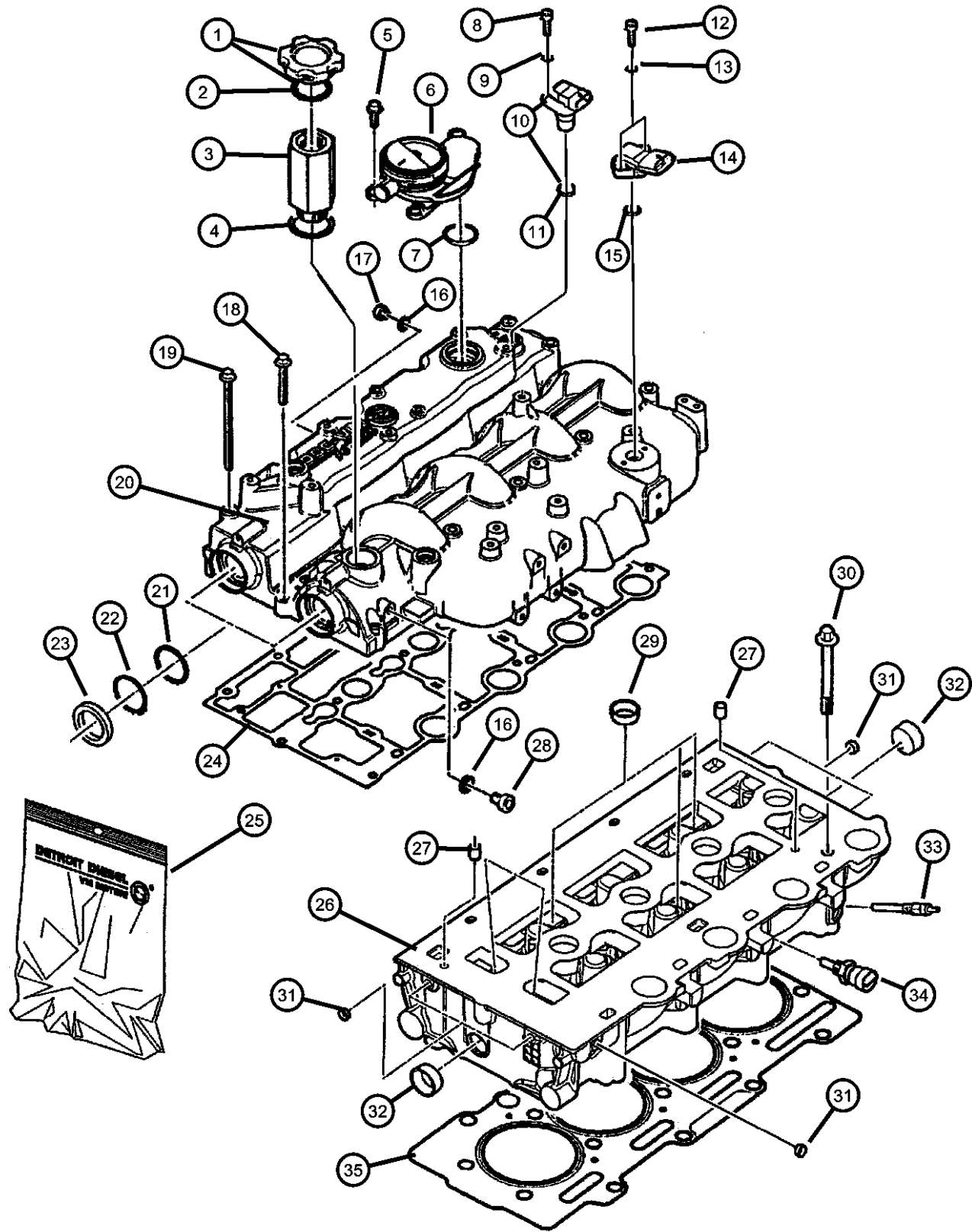
NOTES:
Sales Codes
[DG0] = All Automatic Transmissions
[EN0] = All 4/5 Cylinder Turbo Diesels

1	04863741	1				EN0	DG0		CAP, Oil Filler
2	04720300	1				EN0	DG0		GASKET, Oil Filler Cap
3	05072678AA	1				EN0	DG0		SPACER, Oil Filler
4	05066853AA	1				EN0	DG0		GASKET, Oil Filler Connector
5	05003553AA	3				EN0	DG0		SCREW
6	05114348AA	1				EN0	DG0		VALVE, Pressure Control
7	05114347AA	2				EN0	DG0		O RING, Pressure Relief Valve
8	05003551AA	1				EN0	DG0		BOLT, M6x10
9	04723204	1				EN0	DG0		WASHER, Implement Attaching
10	05066856AB	1				EN0	DG0		SENSOR, Camshaft
11	05066860AA	1				EN0	DG0		O RING
12	05010858AA	1				EN0	DG0		SCREW
13	04723168	1				EN0	DG0		WASHER, Fuel Solenoid Wire
14	05093898AA	1				EN0	DG0		SENSOR, Air Temperature
15	05093898AA	1							O RING, (NOT REQUIRED)
16	04720713	1				EN0	DG0		WASHER, Implement Attaching
17	05066787AA	2				EN0	DG0		PLUG, Cylinder Block
18	05066960AA	6				EN0	DG0		SCREW
19	05066959AA	10				EN0	DG0		SCREW
20	05093897AA	1				EN0	DG0		COVER, Cylinder Head
21	05066844AA	2				EN0	DG0		SPACER
22	05066841AA	2				EN0	DG0		SNAP RING
23	05066958AA	2				EN0	DG0		SEAL
24	05066786AA	1				EN0	DG0		GASKET, Valve Cover
25	05103146AA	1				EN0	DG0		GASKET KIT, Cylinder Head Overhall
26	05093894AA	1				EN0	DG0		HEAD, Cylinder
27	04720165	2				EN0	DG0		DOWEL, Rocker

LIBERTY (KJ)				
SERIES	LINE	BODY	ENGINE	TRANSMISSION
P = Limited	J = LHD (4WD)	74 = 4 Door (104.3 WB)	ED1 = Engine - 2.4L 4 Cyl DOHC 16v SMPI	DDD = Transmission - 5-Speed HD Manual
H = Sport	U = RHD (4WD)		EKG = Engine - 3.7L V6	DDK = Transmission - 5-Speed HD Manual
M = Renegade	T = LHD (2WD)		ENJ = Engine -2.5L 4 Cyl 16V Turbo Diesel	DG4 = Transmission-Multi-Speed Auto, 45RFE
			ENR = Engine - 2.8L 4 Cyl Turbo Diesel	DG6 = Transmission-4-Spd. Automatic, 42RLE
			EN0 = 4Cyl Turbo Diesel	DGQ = Transmission-5-Spd Automatic 5-45RFE
			EK0 = All 3.7L	DBB = All Manual Transmissions
			ED0 = All 2.4L	DG0 = All Automatic Transmissions

AR = use ase required - = Non illustrated part

**Cylinder Head 2.8 Diesel [ENR]
Figure 2.8L-210**



ITEM	PART NUMBER	QTY	LINE	SERIES	BODY	ENGINE	TRANS	TRIM	DESCRIPTION
28	05066787AA	2				EN0	DG0		PLUG, Cylinder Block
29	04723228	3				EN0	DG0		PLUG, Cylinder Block Oil Hole
30	05066957AB	18				EN0	DG0		BOLT, Cylinder Head
31	05066837AA	5				EN0	DG0		PLUG, Cylinder Block
32	05066836AA	2				EN0	DG0		PLUG, Cylinder Block
33	05066840AA	1				EN0	DG0		GLOW PLUG
34	05066779AA	1				EN0	DG0		SENSOR, Temperature Sending Unit
35									GASKET, Cylinder Head
	05072675AA	1				EN0	DG0		1.32mm Thickness
	05072676AA	1				EN0	DG0		1.42mm Thickness
	05072677AA	1				EN0	DG0		1.52mm Thickness
-36	53014000AE	1				EN0			COVER, Engine
-37	53013567AA	1				EN0			BRACKET, Engine Cover
-38	06501474	3				EN0			BOLT, Hex Head, M8x1.25x16, Engine Cover Bracket, Mounting

LIBERTY (KJ)				
SERIES	LINE	BODY	ENGINE	TRANSMISSION
P = Limited	J = LHD (4WD)	74 = 4 Door (104.3 WB)	ED1 = Engine - 2.4L 4 Cyl DOHC 16v SMPI	DDD = Transmission - 5-Speed HD Manual
H = Sport	U = RHD (4WD)		EKG = Engine - 3.7L V6	DDK = Transmission - 5-Speed HD Manual
M = Renegade	T = LHD (2WD)		ENJ = Engine -2.5L 4 Cyl 16V Turbo Diesel	DG4 = Transmission-Multi-Speed Auto, 45RFE
			ENR = Engine - 2.8L 4 Cyl Turbo Diesel	DG6 = Transmission-4-Spd. Automatic, 42RLE
			EN0 = 4Cyl Turbo Diesel	DGQ = Transmission-5-Spd Automatic 5-45RFE
			EK0 = All 3.7L	DBB = All Manual Transmissions
			ED0 = All 2.4L	DG0 = All Automatic Transmissions

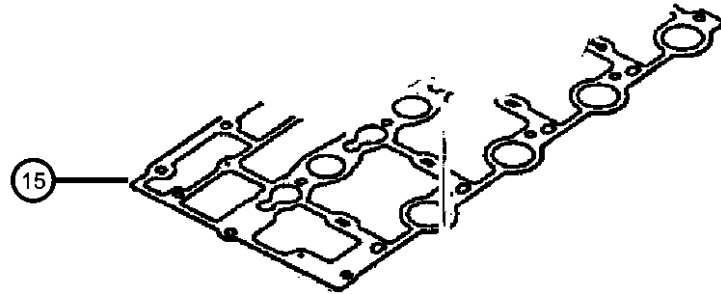
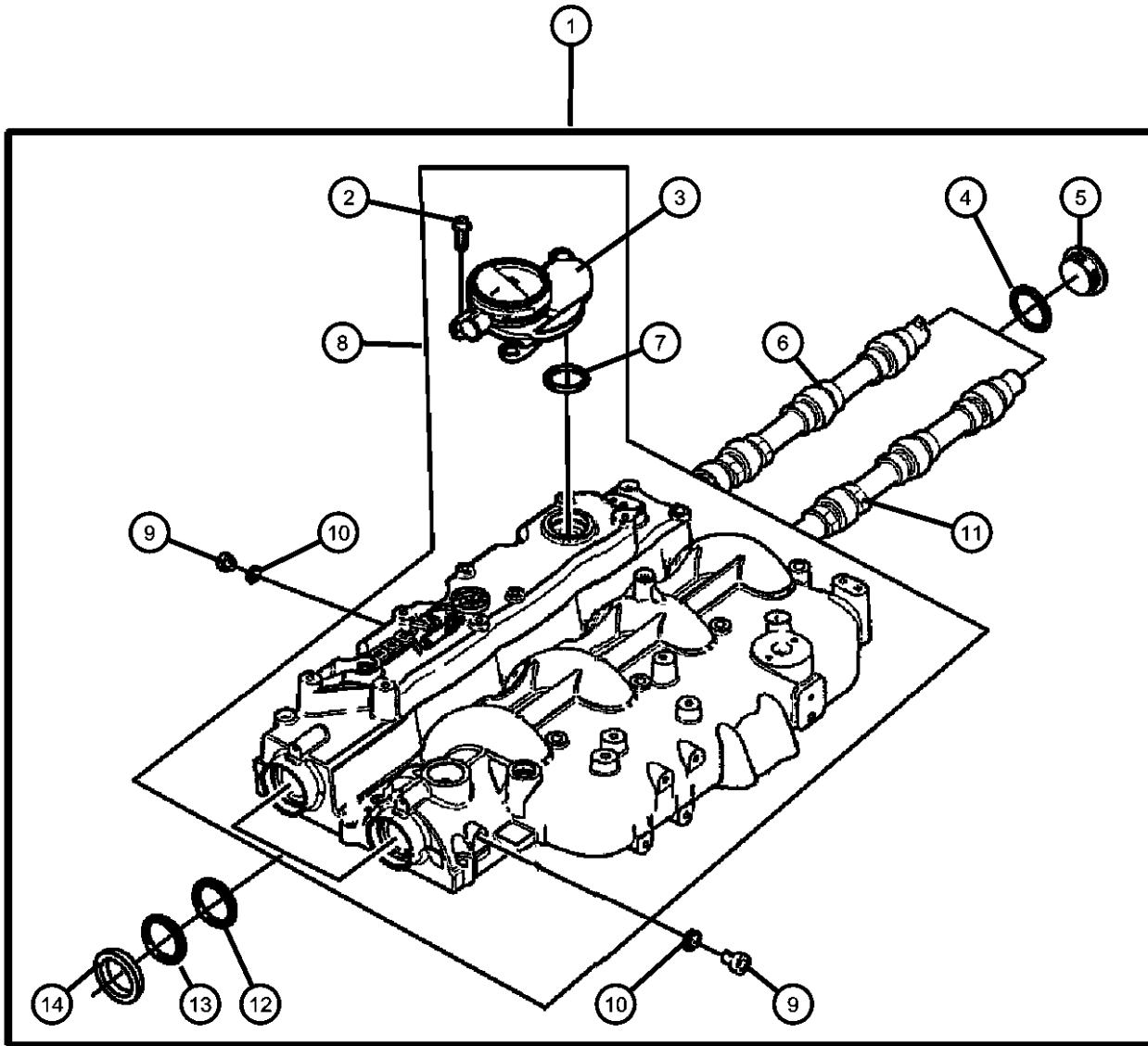
AR = use ase required - = Non illustrated part

**Rocker Cover and Rocker Cover Assembly 2.8L Diesel [ENR]
Figure 2.8L-220**

ITEM	PART NUMBER	QTY	LINE	SERIES	BODY	ENGINE	TRANS	TRIM	DESCRIPTION
------	-------------	-----	------	--------	------	--------	-------	------	-------------

Note: Sales Codes:
[ENJ] = 2.5L 4 Cylinder 16V Turbo Diesel

1	05139867AA	1				EN0	DBB		COVER, Cylinder Head
2	05003553AA	3				EN0	DBB		SCREW
3	05114348AB	1				EN0	DBB		VALVE, Pressure Control
4	05066811AA	1				EN0	DBB		WASHER, Plain, 16.2x19.9x1.5
5	05066855AA	2				EN0	DBB		PLUG, Camshaft
6	05066850AB	1				EN0	DBB		CAMSHAFT, Exhaust
7	05114347AA	2				EN0	DBB		O RING, Pressure Relief Valve
8	05093897AB	1				EN0	DBB		COVER, Cylinder Head
9	05066787AA	2				EN0	DBB		PLUG, Cylinder Block
10	04720713	2				EN0	DBB		WASHER, Implement Attaching
11	05066847AB	1				EN0	DBB		CAMSHAFT, Intake
12	05066844AA	2				EN0	DBB		SPACER
13	05066841AA	2				EN0	DBB		SNAP RING
14	05066958AA	2				EN0	DBB		SEAL
15	05066786AA	1				EN0	DBB		GASKET, Valve Cover



LIBERTY (KJ)

SERIES LINE
P = Limited J = LHD (4WD)
H = Sport U = RHD (4WD)
M = Renegade T = LHD (2WD)

BODY
74 = 4 Door (104.3 WB)

ENGINE
ED1 = Engine - 2.4L 4 Cyl
DOHC 16v SMPI
EKG = Engine - 3.7L V6
ENJ = Engine -2.5L 4 Cyl 16V
Turbo Diesel
ENR = Engine - 2.8L 4 Cyl
Turbo Diesel
EN0 = 4Cyl Turbo Diesel
EKO = All 3.7L
EDO = All 2.4L

TRANSMISSION
DDD = Transmission - 5-Speed HD
Manual
DDK = Transmission - 5-Speed HD
Manual
DG4 = Transmission-Multi-Speed
Auto, 45RFE
DG6 = Transmission-4-Spd.
Automatic, 42RLE
DGQ = Transmission-5-Spd Automatic
5-45RFE
DBB = All Manual Transmissions
DG0 = All Automatic Transmissions

AR = use ase required - = Non illustrated part

2004 KJ

**Cylinder Block 2.8 Diesel [ENR]
Figure 2.8L-310**

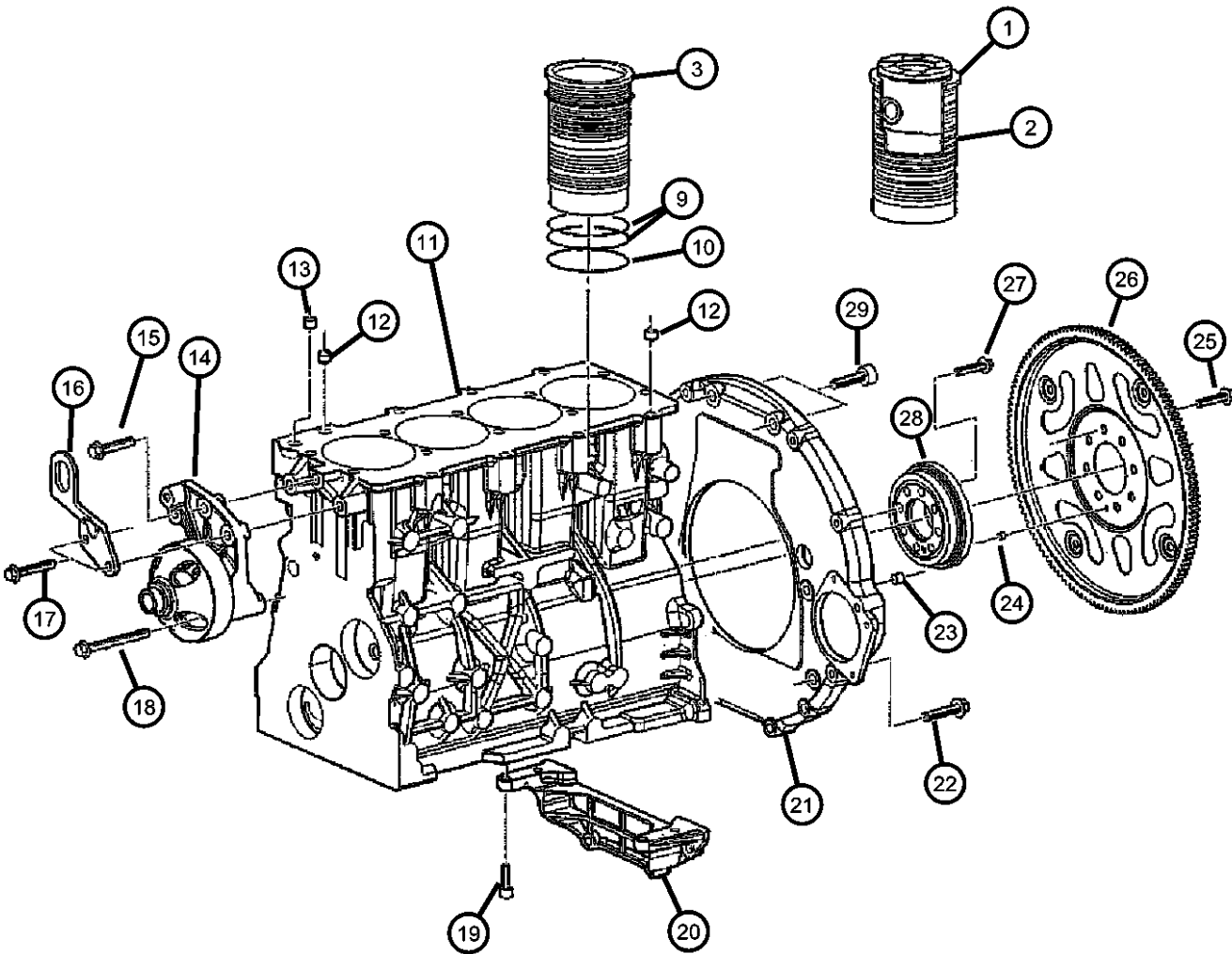
ITEM	PART NUMBER	QTY	LINE	SERIES	BODY	ENGINE	TRANS	TRIM	DESCRIPTION
------	-------------	-----	------	--------	------	--------	-------	------	-------------

NOTES:

Sales Codes

[DG0] = All Automatic Transmissions

[EN0] = All 4/5 Cylinder Turbo Diesels



1	05103159AA	4				EN0	DG0		LINER AND PISTON, Cylinder
2	05103155AA	4				EN0	DG0		LINER, Cylinder
3	04720620	4				EN0	DG0		SHIM, Cylinder Liner, 0.15mm
4	05103154AA	4				EN0	DG0		SHIM KIT, Cylinder Liner
5	04720624	4				EN0	DG0		SHIM, Cylinder Liner, 0.17mm
6	04720621	4				EN0	DG0		SHIM, Cylinder Liner, 0.20mm
7	04720623	4				EN0	DG0		SHIM, Cylinder Liner, 0.23mm
8	04720622	4				EN0	DG0		SHIM, Cylinder Liner, 0.25mm
9	05093955AA	8				EN0	DG0		O RING, Cylinder Liner
10	04720626	4				EN0	DG0		O RING, Cylinder Liner
11	05170771AA	1				EN0	DG0		ENGINE, 3/4 Tested, Diesel
	05127394AA								Mopar 0W-40 Mobil 1 Engine Oil
12	04720237	2				EN0	DG0		DOWEL, Transmission Adapter
13	04720165	1				EN0	DG0		DOWEL, Rocker
14	05072447AB	1				EN0	DG0		BRACKET, Fan
15	05066939AA	1				EN0	DG0		SCREW
16	05072754AA	1				EN0	DG0		BRACKET, Engine Lift
17	05003533AA	2				EN0	DG0		BOLT, M10x45
18	05015067AA	1				EN0	DG0		BOLT, Hex Flange Head
19	04720684	4				EN0	DG0		BOLT
20	05072753AA	1				EN0	DG0		BRACKET
21	05093957AA	1				EN0	DG0		HOUSING, Flywheel
22	05003532AA	4				EN0	DG0		BOLT, Adaptor Plate
23	05015045AA	2				EN0	DG0		DOWEL, Transmission Adapter
24	05093959AA	1				EN0	DG0		DOWEL, Transmission
25	05014969AA	8				EN0	DG0		BOLT, Flexplate
26	52104369AA	1				EN0	DG0		PLATE, Torque Converter Drive

LIBERTY (KJ)

SERIES

P = Limited

H = Sport

M = Renegade

LINE

J = LHD (4WD)

U = RHD (4WD)

T = LHD (2WD)

BODY

74 = 4 Door (104.3 WB)

ENGINE

ED1 = Engine - 2.4L 4 Cyl

DOHC 16v SMPI

EKG = Engine - 3.7L V6

ENJ = Engine -2.5L 4 Cyl 16V

Turbo Diesel

ENR = Engine - 2.8L 4 Cyl

Turbo Diesel

EN0 = 4Cyl Turbo Diesel

EN0 = All 3.7L

ED0 = All 2.4L

TRANSMISSION

DDD = Transmission - 5-Speed HD

Manual

DDK = Transmission - 5-Speed HD

Manual

DG4 = Transmission-Multi-Speed

Auto, 45RFE

DG6 = Transmission-4-Spd.

Automatic, 42RLE

DGQ = Transmission-5-Spd Automatic

5-45RFE

DBB = All Manual Transmissions

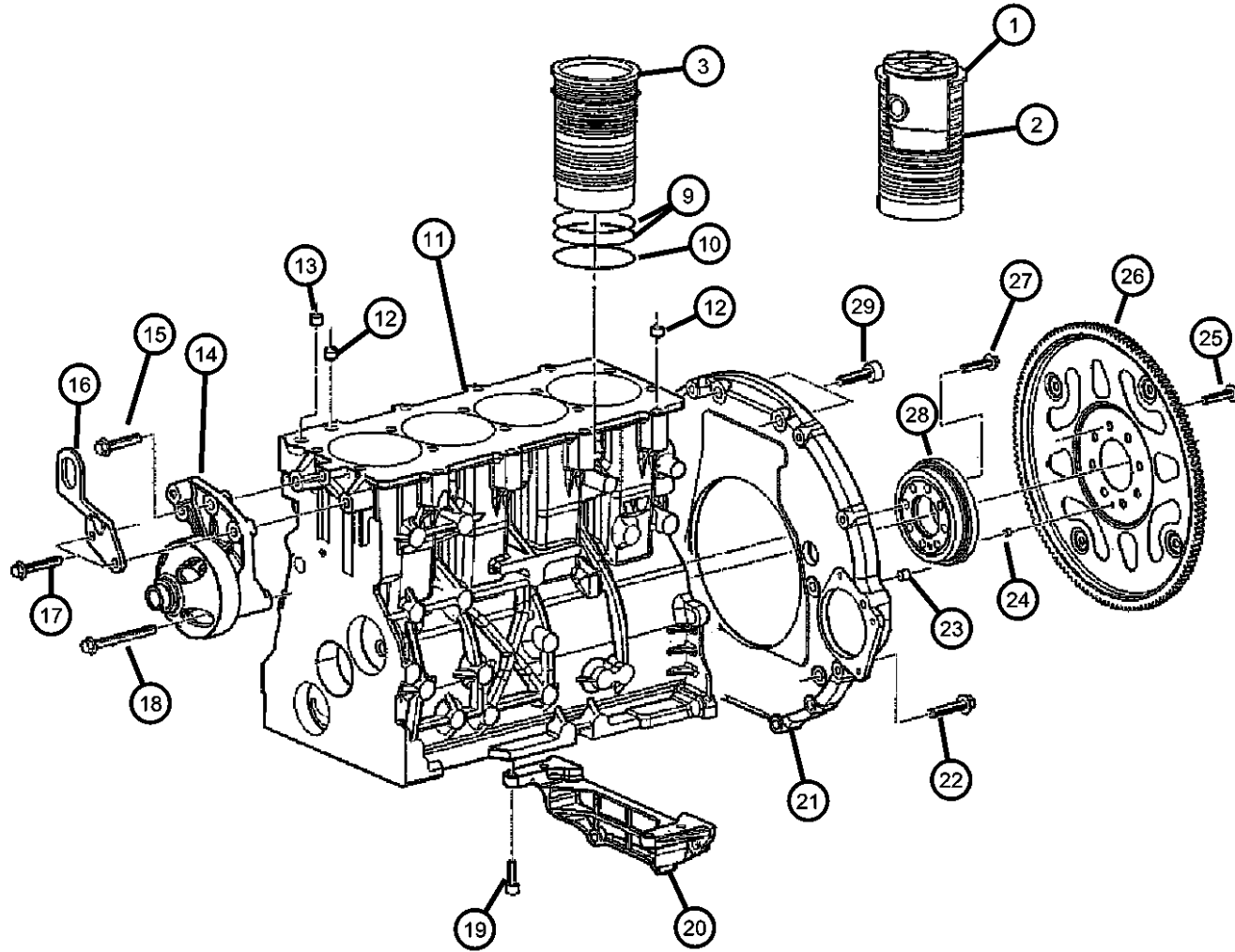
DG0 = All Automatic Transmissions

AR = use ase required - = Non illustrated part

2004 KJ

**Cylinder Block 2.8 Diesel [ENR]
Figure 2.8L-310**

ITEM	PART NUMBER	QTY	LINE	SERIES	BODY	ENGINE	TRANS	TRIM	DESCRIPTION
27	05066753AA	1				EN0	DG0		BOLT, Flywheel
28	05093956AA	1				EN0	DG0		HUB
29	04864757	2				EN0	DG0		BOLT
-30	04736582	1	J, U			EN0	DGQ		TORQUE CONVERTER
	R4736582								Mopar Remanufactured Part
-31	05093909AA	1				EN0	DG0		PLUG



LIBERTY (KJ)

SERIES LINE
P = Limited J = LHD (4WD)
H = Sport U = RHD (4WD)
M = Renegade T = LHD (2WD)

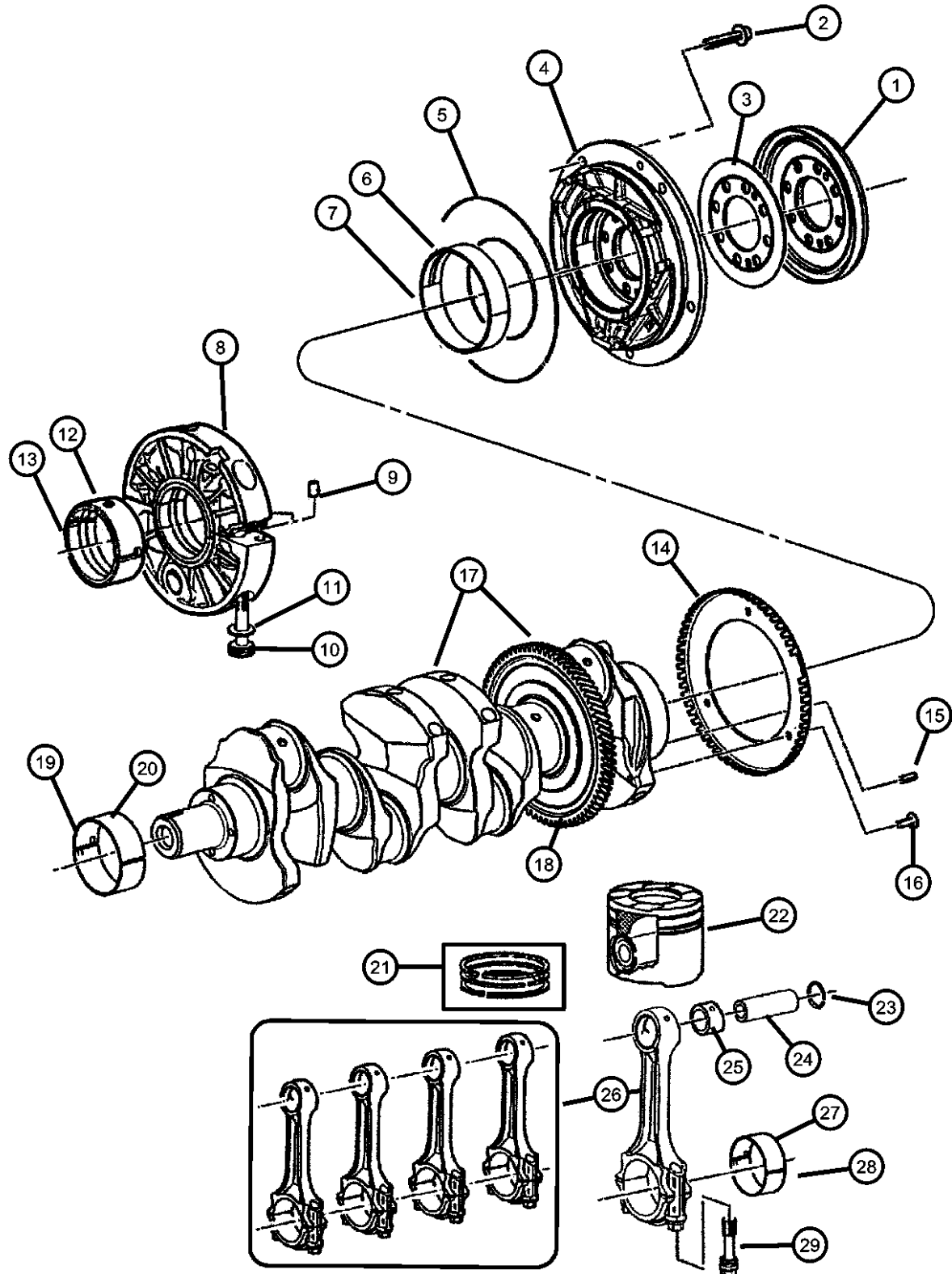
BODY
74 = 4 Door (104.3 WB)

ENGINE
ED1 = Engine - 2.4L 4 Cyl
DOHC 16v SMPI
EKG = Engine - 3.7L V6
ENJ = Engine -2.5L 4 Cyl 16V
Turbo Diesel
ENR = Engine - 2.8L 4 Cyl
Turbo Diesel
EN0 = 4Cyl Turbo Diesel
EK0 = All 3.7L
ED0 = All 2.4L

TRANSMISSION
DDD = Transmission - 5-Speed HD
Manual
DDK = Transmission - 5-Speed HD
Manual
DG4 = Transmission-Multi-Speed
Auto, 45RFE
DG6 = Transmission-4-Spd.
Automatic, 42RLE
DGQ = Transmission-5-Spd Automatic
5-45RFE
DBB = All Manual Transmissions
DG0 = All Automatic Transmissions

AR = use ase required - = Non illustrated part

**Crankshaft,Pistons and Related, 2.8L Diesel [ENR]
Figure 2.8L-410**



ITEM	PART NUMBER	QTY	LINE	SERIES	BODY	ENGINE	TRANS	TRIM	DESCRIPTION
------	-------------	-----	------	--------	------	--------	-------	------	-------------

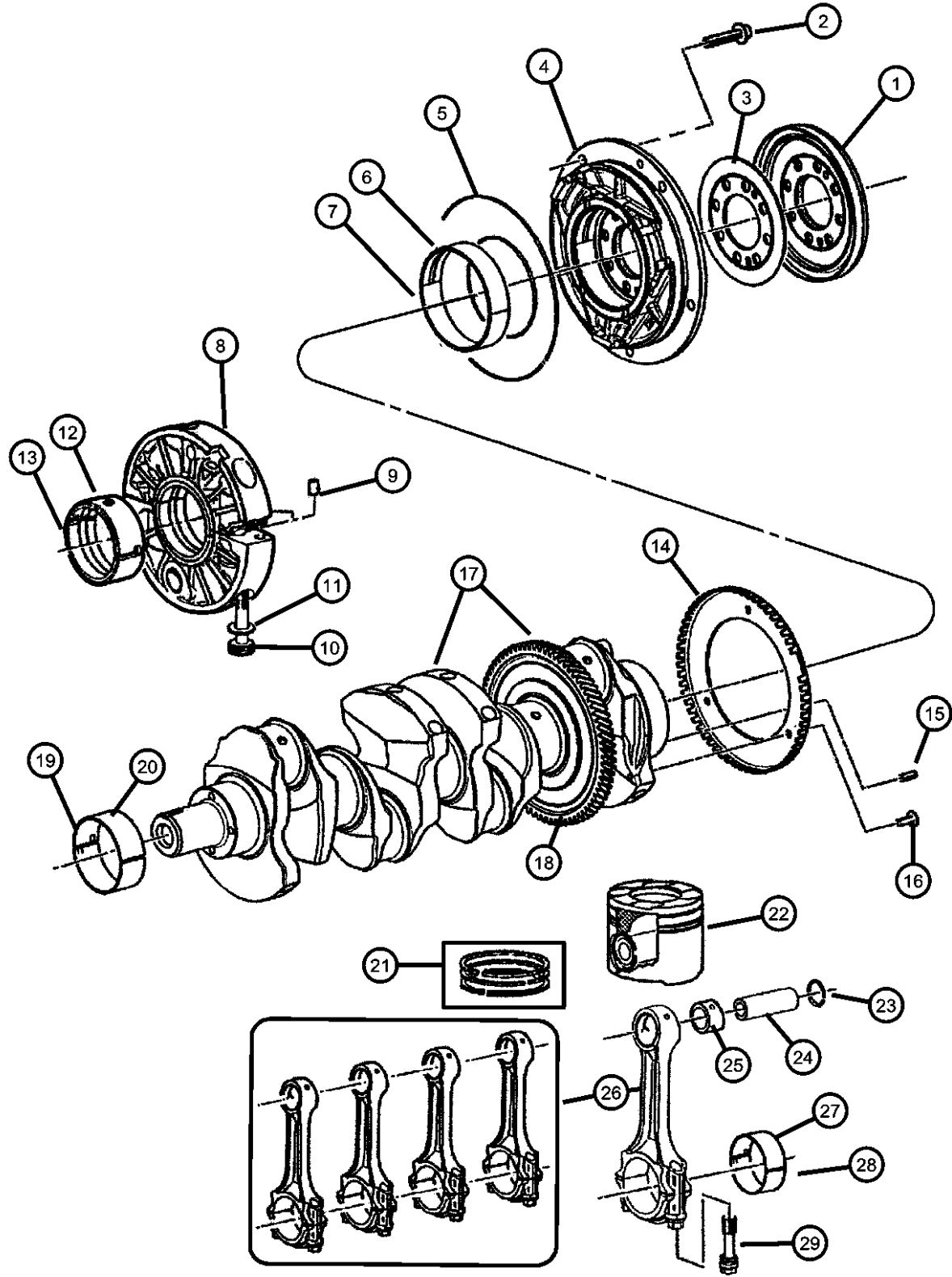
NOTES:
Sales Codes
[DG0] = All Automatic Transmissions
[EN0] = All 4/5 Cylinder Turbo Diesels

1	05066756AA	1				EN0	DG0		SEAL, Crankshaft Oil, Rear
2	04864537	5				EN0	DG0		BOLT, 8Mx20
3	05093882AA	1				EN0	DG0		WASHER, Thrust
4	05101924AA	1				EN0	DG0		HOUSING, Rear Bearing
5	04720277	1				EN0	DG0		O RING, Crankshaft Rear Support
6	05066761AA	1				EN0	DG0		BEARING, Crankshaft
7	05066762AA	1				EN0	DG0		BEARING, Crankshaft
8	05066757AA	3				EN0	DG0		HOUSING, Crankshaft Bearing
9	04720241	1				EN0	DG0		DOWEL, Center Bearing Housing
10	04720242	6				EN0	DG0		SCREW
11	04720243	6				EN0	DG0		WASHER, Lock, M10
12	05069079AA	1				EN0	DG0		BEARING, Crankshaft, STD.
13	05069080AA	1				EN0	DG0		BEARING, Crankshaft, .250mm U/S
14	05066882AA	1				EN0	DG0		SENSOR, Crankshaft
15	05093885AA	1				EN0	DG0		PIN, Spring
16	05069137AA	3				EN0	DG0		SCREW
17	05093881AB	1				EN0	DG0		CRANKSHAFT
18	05066977AA	1				EN0	DG0		GEAR, Ring
19	05069077AA	1				EN0	DG0		BEARING, Crankshaft, STD.
20	05069078AA	1				EN0	DG0		BEARING, Crankshaft, .250mm U/S
21	05103144AA	4				EN0	DG0		RING KIT, Piston, Standard
22	05103145AA	4				EN0	DG0		PISTON
23	05096230AA	8				EN0	DG0		RING, Piston Pin
24	05096230AA	8							PIN, Piston, Serviced With Item 22, (NOT SERVICED)
25	05093887AA	4				EN0	DG0		BUSHING, Connecting Rod
26	05093883AA	1				EN0	DG0		ROD, Connecting

LIBERTY (KJ)				
SERIES	LINE	BODY	ENGINE	TRANSMISSION
P = Limited	J = LHD (4WD)	74 = 4 Door (104.3 WB)	ED1 = Engine - 2.4L 4 Cyl DOHC 16v SMPI	DDD = Transmission - 5-Speed HD Manual
H = Sport	U = RHD (4WD)		EKG = Engine - 3.7L V6	DDK = Transmission - 5-Speed HD Manual
M = Renegade	T = LHD (2WD)		ENJ = Engine -2.5L 4 Cyl 16v Turbo Diesel	DG4 = Transmission-Multi-Speed Auto, 45RFE
			ENR = Engine - 2.8L 4 Cyl Turbo Diesel	DG6 = Transmission-4-Spd. Automatic, 42RLE
			EN0 = 4Cyl Turbo Diesel	DGQ = Transmission-5-Spd Automatic 5-45RFE
			EK0 = All 3.7L	DBB = All Manual Transmissions
			ED0 = All 2.4L	DG0 = All Automatic Transmissions

AR = use ase required - = Non illustrated part

**Crankshaft,Pistons and Related, 2.8L Diesel [ENR]
Figure 2.8L-410**



ITEM	PART NUMBER	QTY	LINE	SERIES	BODY	ENGINE	TRANS	TRIM	DESCRIPTION
27	04720877	4				EN0	DG0		BEARING, Connecting Rod, STD.
28	04720883	4				EN0	DG0		BEARING, Connecting Rod, .25 mm U/S
29	05093889AA	8				EN0	DG0		BOLT, Connecting Rod
-30	05072673AA	1				EN0	DG0		PUMP, Vacuum

LIBERTY (KJ)				
SERIES	LINE	BODY	ENGINE	TRANSMISSION
P = Limited	J = LHD (4WD)	74 = 4 Door (104.3 WB)	ED1 = Engine - 2.4L 4 Cyl DOHC 16v SMPI	DDD = Transmission - 5-Speed HD Manual
H = Sport	U = RHD (4WD)		EKG = Engine - 3.7L V6 Turbo Diesel	DDK = Transmission - 5-Speed HD Manual
M = Renegade	T = LHD (2WD)		ENJ = Engine -2.5L 4 Cyl 16V Turbo Diesel	DG4 = Transmission-Multi-Speed Auto, 45RFE
			ENR = Engine - 2.8L 4 Cyl Turbo Diesel	DG6 = Transmission-4-Spd. Automatic, 42RLE
			EN0 = 4Cyl Turbo Diesel	DGQ = Transmission-5-Spd Automatic 5-45RFE
			ED0 = All 2.4L	DBB = All Manual Transmissions
				DG0 = All Automatic Transmissions

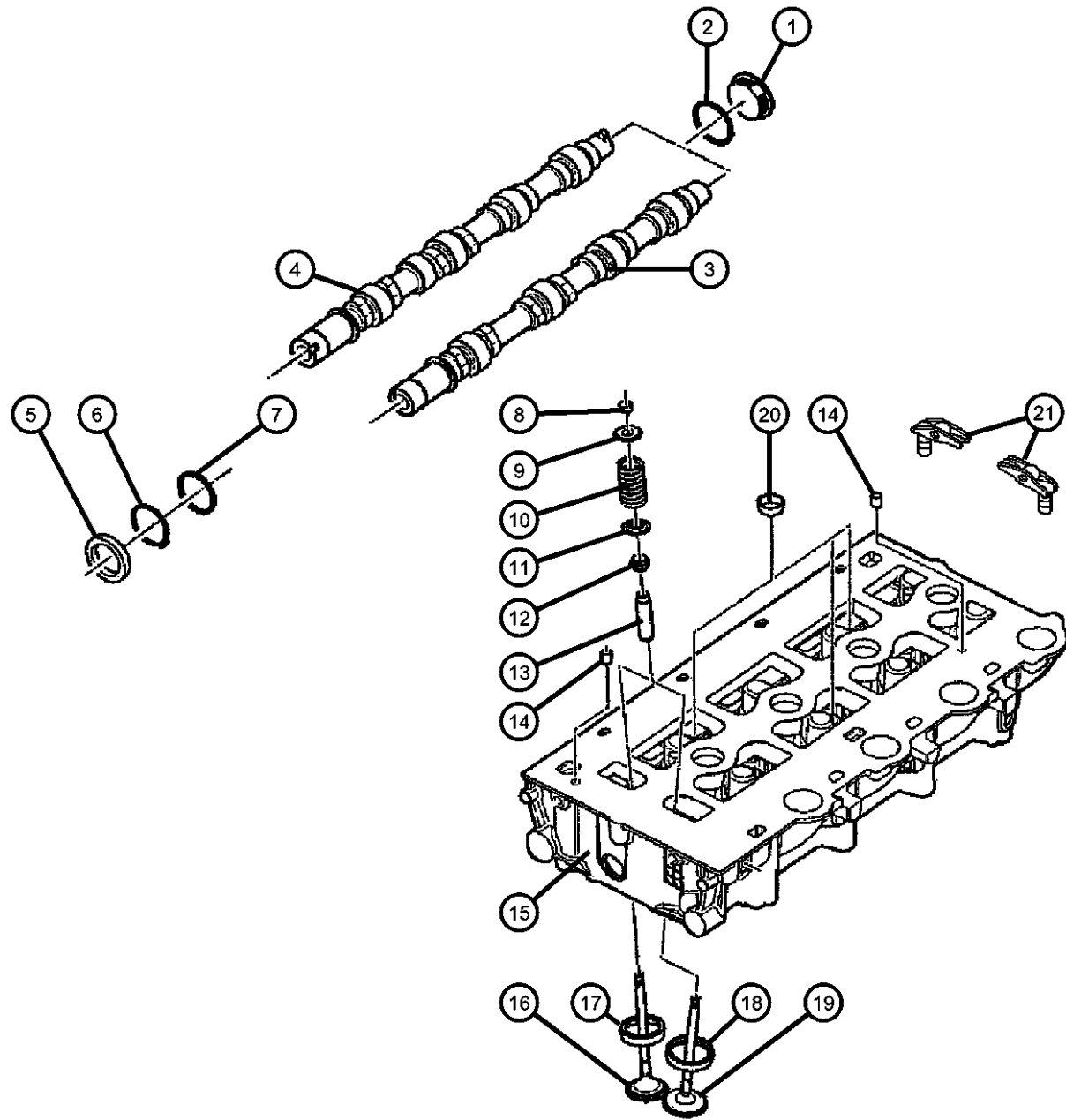
AR = use ase required - = Non illustrated part

**Camshaft and Valves, 2.8L Diesel [ENR]
Figure 2.8L-510**

ITEM	PART NUMBER	QTY	LINE	SERIES	BODY	ENGINE	TRANS	TRIM	DESCRIPTION
------	-------------	-----	------	--------	------	--------	-------	------	-------------

NOTE: Sales Codes:
[DBB] = All Manual Transmissions
[EN0] = All 4 Cylinder Turbo Diesel Engines

1	05066855AA	2				EN0	DBB		PLUG, Camshaft
2	05066811AA	2				EN0	DBB		WASHER, Plain, 16.2x19.9x1.5
3	05066850AB	1				EN0	DBB		CAMSHAFT, Exhaust
4	05066847AB	1				EN0	DBB		CAMSHAFT, Intake
5	05066958AA	2				EN0	DBB		SEAL
6	05066841AA	2				EN0	DBB		SNAP RING
7	05066844AA	2				EN0	DBB		SPACER
8	05066778AA	32				EN0	DBB		LOCK, Valve Spring Retainer
9	05093892AA	16				EN0	DBB		RETAINER, Valve Spring
10	05066776AA	16				EN0	DBB		SPRING, Valve
11	05066775AA	16				EN0	DBB		SEAL, Valve Guide
12	05093891AA	16				EN0	DBB		SEAL, Valve Guide
13	05066773AA	16				EN0	DBB		GUIDE, Intake/Exhaust Valve, Standard Size
14	04720165	1				EN0	DBB		DOWEL, Rocker
15	05093893AB	1				EN0	DBB		HEAD, Cylinder
16	05066769AA	1				EN0	DBB		VALVE, Exhaust, Standard
17	05066771AA	8				EN0	DBB		SEAT, Exhaust Valve, 0.30mm Oversize
18	05066772AA	8				EN0	DBB		SEAT, Intake Valve
19	05066770AA	8				EN0	DBB		VALVE, Intake, Standard
20	04723211	2				EN0	DBB		PLUG, Cylinder Block Oil Hole
21	05066780AA	16				EN0	DBB		ROCKER ARM, Inlet and Exhaust Valve



LIBERTY (KJ)

SERIES LINE
P = Limited J = LHD (4WD)
H = Sport U = RHD (4WD)
M = Renegade T = LHD (2WD)

BODY
74 = 4 Door (104.3 WB)

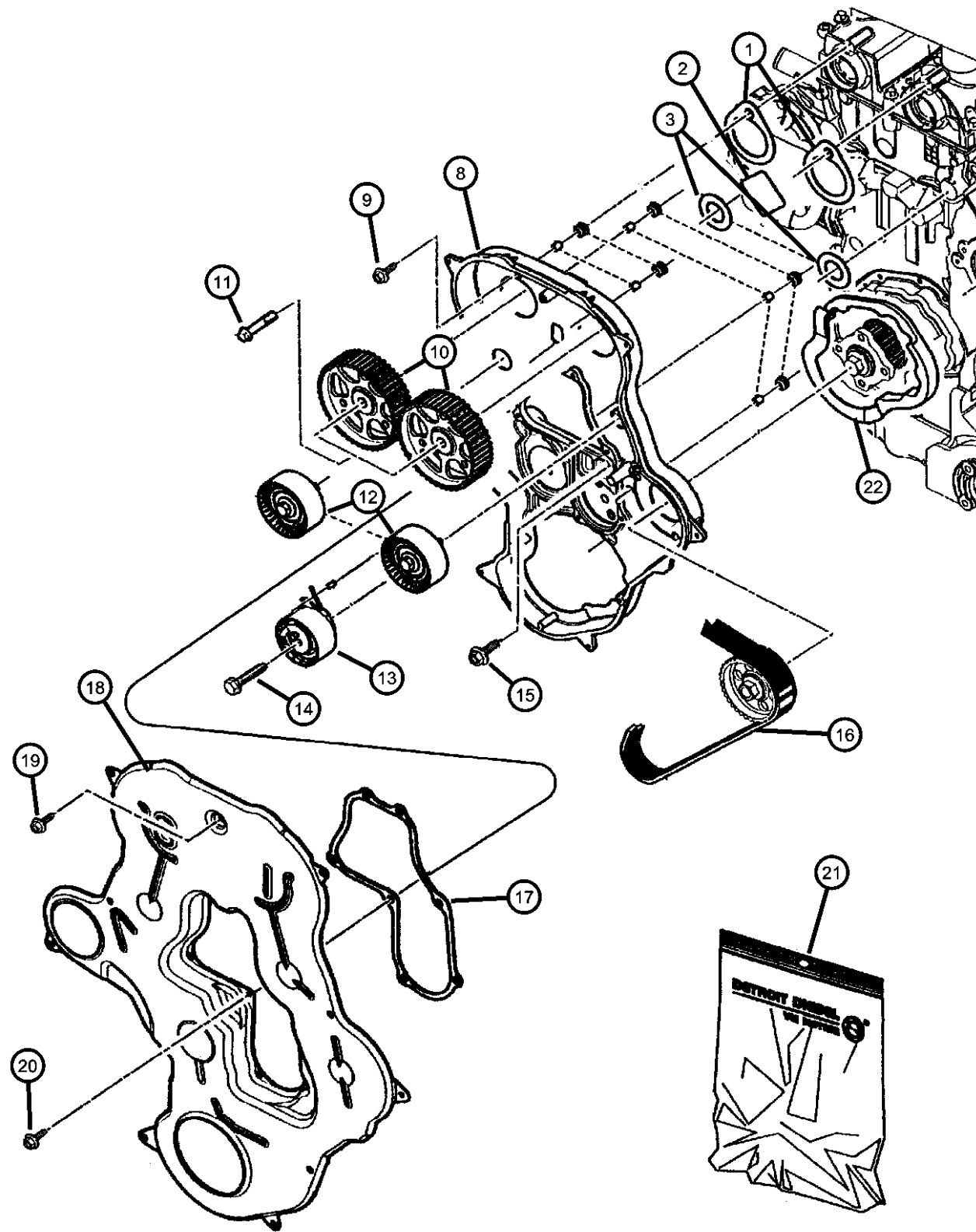
ENGINE
ED1 = Engine - 2.4L 4 Cyl
DOHC 16v SMPI
EKG = Engine - 3.7L V6
ENJ = Engine -2.5L 4 Cyl 16V
Turbo Diesel
ENR = Engine - 2.8L 4 Cyl
Turbo Diesel
EN0 = 4Cyl Turbo Diesel
EKO = All 3.7L
EDO = All 2.4L

TRANSMISSION
DDD = Transmission - 5-Speed HD
Manual
DDK = Transmission - 5-Speed HD
Manual
DG4 = Transmission-Multi-Speed
Auto, 45RFE
DG6 = Transmission-4-Spd.
Automatic, 42RLE
DGQ = Transmission-5-Spd Automatic
5-45RFE
DBB = All Manual Transmissions
DG0 = All Automatic Transmissions

AR = use ase required - = Non illustrated part

2004 KJ

**Timing Cover And Related 2.8 Diesel [ENR]
Figure 2.8L-610**



ITEM	PART NUMBER	QTY	LINE	SERIES	BODY	ENGINE	TRANS	TRIM	DESCRIPTION
------	-------------	-----	------	--------	------	--------	-------	------	-------------

Note; Sales Codes
[DG0]= All Automatic Transmissions
[EN0]= All 4/5 Cylinder Turbo Diesels

1	05066946AA	1				EN0	DG0		GASKET
2	05066946AA	1				EN0	DG0		GASKET
3	05066946AA	1				EN0	DG0		GASKET
-4	05066946AA	1							DAMPER, Vibration, [Service in Item #21], (NOT SERVICED)
-5	05066946AA	1							BUSHING, Balance Shaft, [Service in Item #21], (NOT SERVICED)
-6	05066946AA	1							DAMPER, Vibration, [Service in Item#21], (NOT SERVICED)
-7	05066946AA	1							BUSHING, Balance Shaft, [Service in Item #21], (NOT SERVICED)
8	05073446AB	1				EN0	DG0		COVER, Timing Case
9	05069114AA	5				EN0	DG0		SCREW
10	05066926AA	2				EN0	DG0		GEAR, Balance Shaft
11	04897825AA	2				EN0	DG0		SCREW
12	05093931AA	2				EN0	DG0		PULLEY, Idler
13	05066826AA	1				EN0	DG0		TENSIONER, Belt
14	05015031AA	1				EN0	DG0		SCREW
15	05003532AA	3				EN0	DG0		BOLT, Adaptor Plate
16	05066928AA	1				EN0	DG0		BELT, Timing
17	05066921AA	1				EN0	DG0		GASKET, Timing Cover
18	05066919AB	1				EN0	DG0		COVER, Timing Case
19	04864745	1				EN0	DG0		BOLT
20	05069112AA	17				EN0	DG0		SCREW
21	05019861AA	1				EN0	DG0		GASKET KIT, Timing Cover
22	04863779	1				EN0	DG0		GASKET, Vacuum Pump, .

LIBERTY (KJ)

SERIES LINE
P = Limited J = LHD (4WD)
H = Sport U = RHD (4WD)
M = Renegade T = LHD (2WD)

BODY
74 = 4 Door (104.3 WB)

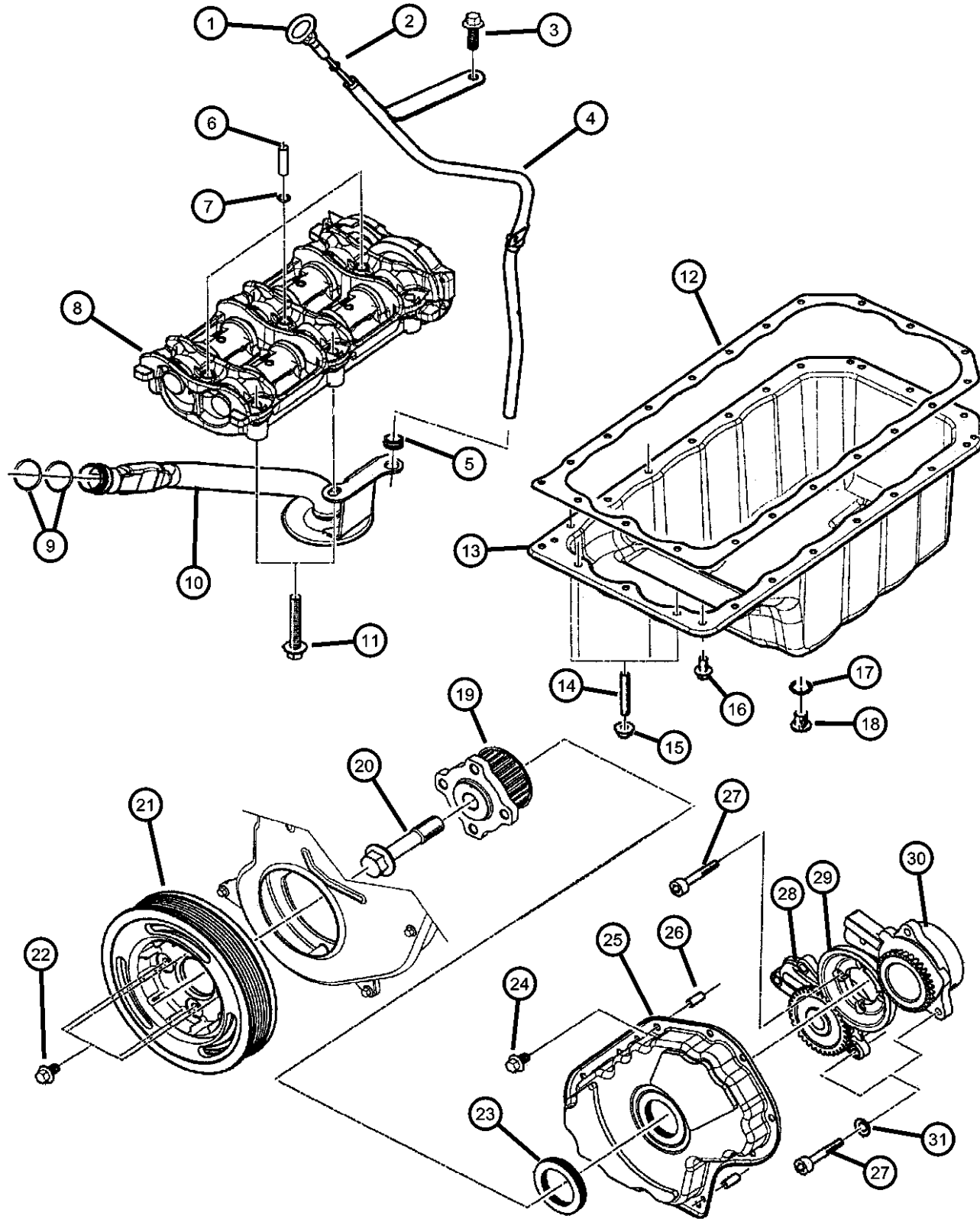
ENGINE
ED1 = Engine - 2.4L 4 Cyl
DOHC 16v SMPI
EKG = Engine - 3.7L V6
ENJ = Engine -2.5L 4 Cyl 16V
Turbo Diesel
ENR = Engine - 2.8L 4 Cyl
Turbo Diesel
EN0 = 4Cyl Turbo Diesel
EKO = All 3.7L
EDO = All 2.4L

TRANSMISSION
DDD = Transmission - 5-Speed HD
Manual
DDK = Transmission - 5-Speed HD
Manual
DG4 = Transmission-Multi-Speed
Auto, 45RFE
DG6 = Transmission-4-Spd.
Automatic, 42RLE
DGQ = Transmission-5-Spd Automatic
5-45RFE
DBB = All Manual Transmissions
DG0 = All Automatic Transmissions

AR = use ase required - = Non illustrated part

2004 KJ

**Engine Oiling 2.8 Diesel [ENR]
Figure 2.8L-710**



ITEM	PART NUMBER	QTY	LINE	SERIES	BODY	ENGINE	TRANS	TRIM	DESCRIPTION
------	-------------	-----	------	--------	------	--------	-------	------	-------------

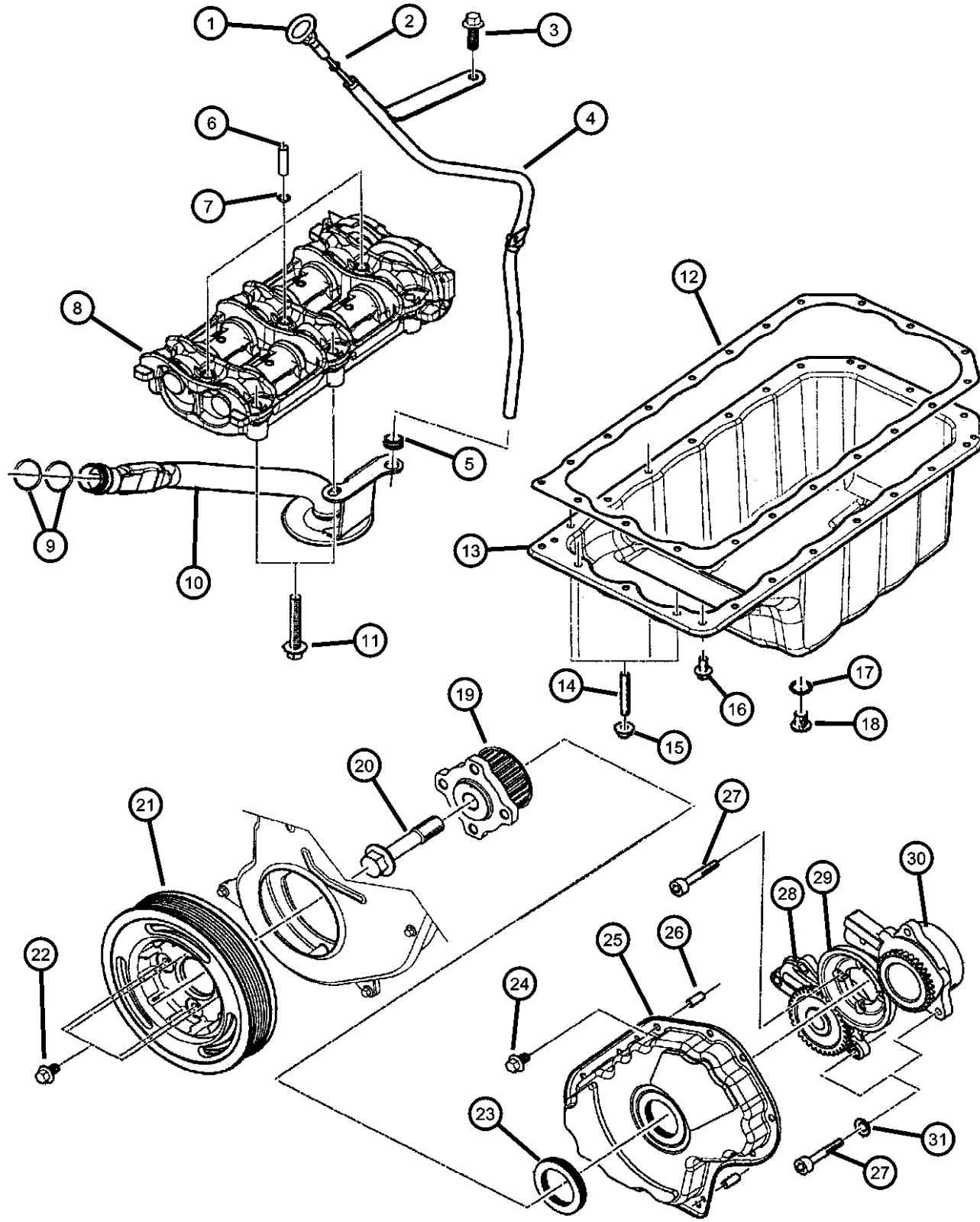
Note; Sales Codes
[DG0]= All Automatic Transmissions
[EN0]= All 4/5 Cylinder Turbo Diesels

1	05072682AB	1				EN0	DG0		INDICATOR, Engine Oil Level
2	04720373	1				EN0	DG0		O RING, Engine Oil Indicator
3	05003554AA	1				EN0	DG0		SCREW
4	05072681AC	1				EN0	DG0		TUBE, Oil Gauge
5	04720362	1				EN0	DG0		GASKET, Engine Oil Indicator Pipe
6	05093899AA	1				EN0	DG0		PIN
7	05066899AA	3				EN0	DG0		O RING
8	05066890AA	1				EN0	DG0		SHAFT, Balance
9	05066789AB	2				EN0	DG0		O RING, Oil Suction Tube
10	05072680AB	1				EN0	DG0		PICKUP, Engine Oil
11	05066962AA	4				EN0	DG0		SCREW
12	05066901AA	1				EN0	DG0		GASKET, Oil Pan
13	05072683AA	1				EN0	DG0		PAN, Engine Oil
14	04864745	1				EN0	DG0		BOLT
15	04778936	1				EN0	DG0		NUT, Suction Pipe Attaching
16	04864748	20				EN0	DG0		BOLT
17	04720353	1				EN0	DG0		WASHER, Plain
18	04720352	1				EN0	DG0		PLUG, Oil Drain
19	05066978AA	1				EN0	DG0		PULLEY, Crankshaft
20	05066832AA	1				EN0	DG0		SCREW
21	05072669AA	1				EN0	DG0		PULLEY, Crankshaft
22	05069138AA	4				EN0	DG0		SCREW, Damper Mounting
23	05072670AA	1				EN0	DG0		SEAL, Front Main Crankshaft
24	04864748	12				EN0	DG0		BOLT
25	05066955AA	1				EN0	DG0		COVER, Timing Belt
26	05066834AA	2				EN0	DG0		PIN
27	04720658	10				EN0	DG0		SCREW
28	05093890AA	1				EN0	DG0		PUMP, Engine Oil

LIBERTY (KJ)				
SERIES	LINE	BODY	ENGINE	TRANSMISSION
P = Limited	J = LHD (4WD)	74 = 4 Door (104.3 WB)	ED1 = Engine - 2.4L 4 Cyl DOHC 16v SMPI	DDD = Transmission - 5-Speed HD Manual
H = Sport	U = RHD (4WD)		EKG = Engine - 3.7L V6	DDK = Transmission - 5-Speed HD Manual
M = Renegade	T = LHD (2WD)		ENJ = Engine -2.5L 4 Cyl 16V Turbo Diesel	DG4 = Transmission-Multi-Speed Auto, 45RFE
			ENR = Engine - 2.8L 4 Cyl Turbo Diesel	DG6 = Transmission-4-Spd. Automatic, 42RLE
			EN0 = 4Cyl Turbo Diesel	DGQ = Transmission-5-Spd Automatic 5-45RFE
			ED0 = All 3.7L	DBB = All Manual Transmissions
				DG0 = All Automatic Transmissions

AR = use ase required - = Non illustrated part

**Engine Oiling 2.8 Diesel [ENR]
Figure 2.8L-710**

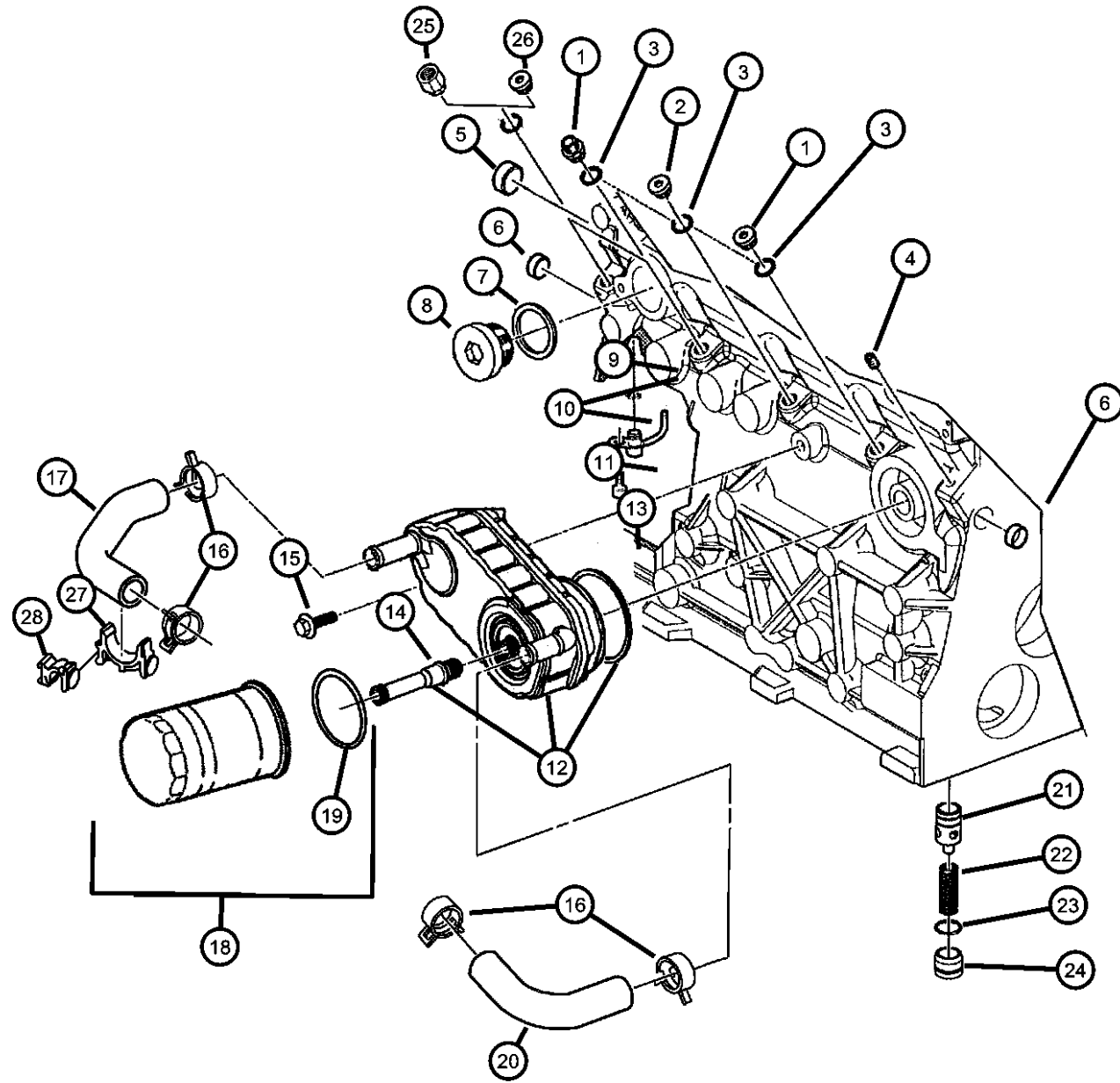


ITEM	PART NUMBER	QTY	LINE	SERIES	BODY	ENGINE	TRANS	TRIM	DESCRIPTION
29	05072672AA	1				EN0	DG0		GEAR, Ring
30	05072673AA	1				EN0	DG0		PUMP, Vacuum
31	04723204	5				EN0	DG0		WASHER, Implement Attaching

LIBERTY (KJ)				
SERIES	LINE	BODY	ENGINE	TRANSMISSION
P = Limited	J = LHD (4WD)	74 = 4 Door (104.3 WB)	ED1 = Engine - 2.4L 4 Cyl DOHC 16v SMPI	DDD = Transmission - 5-Speed HD Manual
H = Sport	U = RHD (4WD)		EKG = Engine - 3.7L V6 Turbo Diesel	DDK = Transmission - 5-Speed HD Manual
M = Renegade	T = LHD (2WD)		ENJ = Engine -2.5L 4 Cyl 16V Turbo Diesel	DG4 = Transmission-Multi-Speed Auto, 45RFE
			ENR = Engine - 2.8L 4 Cyl Turbo Diesel	DG6 = Transmission-4-Spd. Automatic, 42RLE
			EN0 = 4Cyl Turbo Diesel	DGQ = Transmission-5-Spd Automatic 5-45RFE
			ED0 = All 2.4L	DBB = All Manual Transmissions DG0 = All Automatic Transmissions

AR = use ase required - = Non illustrated part

**Oil Line 2.8 Diesel [ENR]
Figure 2.8L-720**



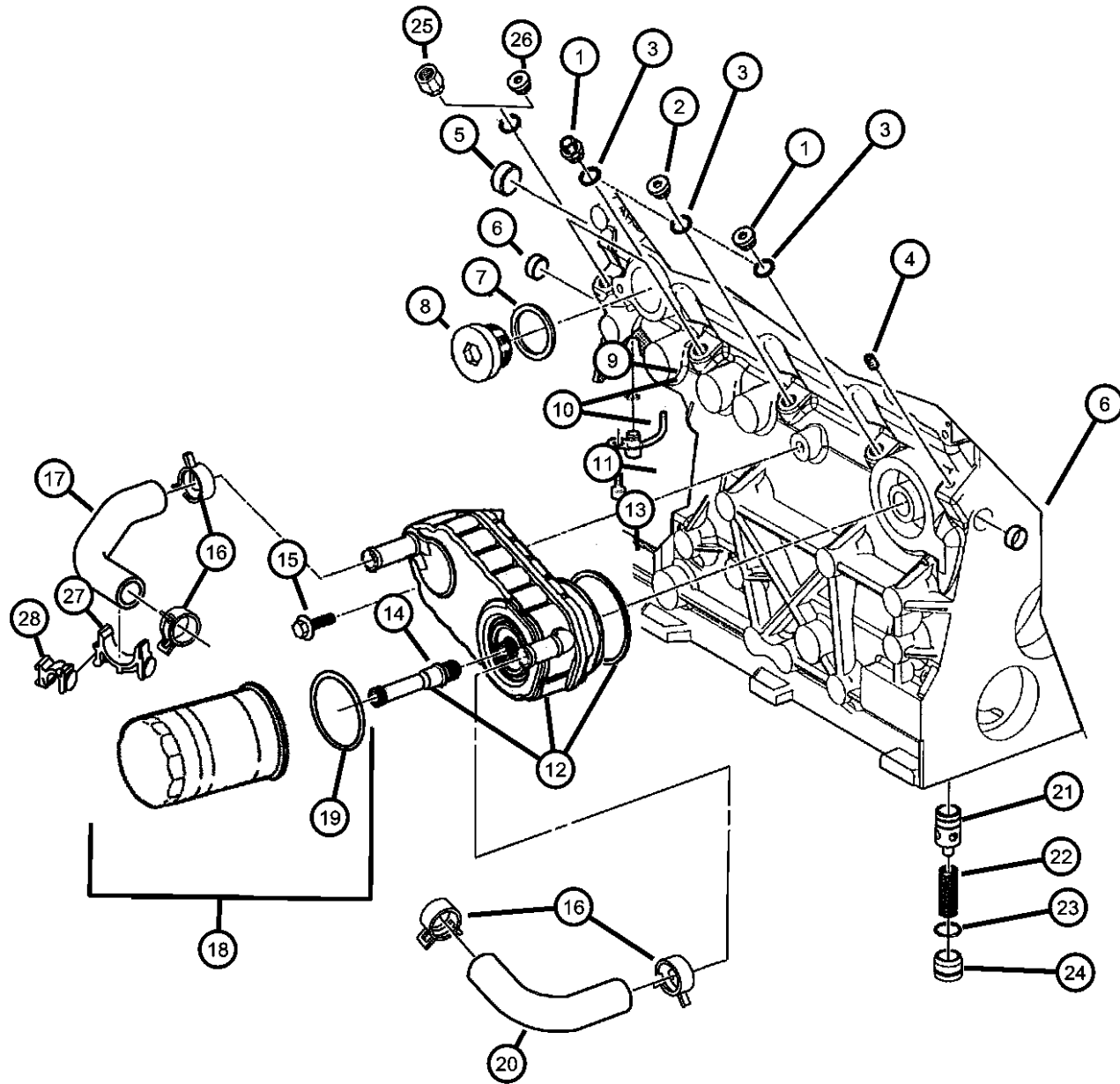
ITEM	PART NUMBER	QTY	LINE	SERIES	BODY	ENGINE	TRANS	TRIM	DESCRIPTION
NOTE: Sales Codes: [DG0]=All Automatic Transmissions [EN0]=All 4 Cylinder Turbo Diesel Engines									
1	05066889AA	2				EN0	DG0		BOLT, Oil Feed To Turbo Adapter
2	05066814AA	1				EN0	DG0		BOLT, Turbo Oil Feed Adapter
3	04720704	4				EN0	DG0		WASHER, Oil Pressure Transducer
4	04883424AA	1				EN0	DG0		PLUG, Cylinder Block
5	04778887	1				EN0	DG0		PLUG, Cylinder Block Oil Hole
6	04723211	2				EN0	DG0		PLUG, Cylinder Block Oil Hole
7	05066811AA	2				EN0	DG0		WASHER, Plain, 16.2x19.9x1.5
8	05066855AA	2				EN0	DG0		PLUG, Camshaft
9	04864689	4				EN0	DG0		O RING
10	05066812AB	4				EN0	DG0		JET, Valve Body
11	04882620	4				EN0	DG0		SCREW
12	05093913AA	1				EN0	DG0		COOLER, Engine Oil
13	04723217	1				EN0	DG0		O RING, Oil Cooler
14	05015178AA	4				EN0	DG0		FITTING, Engine Oil Cooler
15	05003724AA	1				EN0	DG0		SCREW
16	04883924AA	4				EN0	DG0		CLAMP, Heater Hose
17	05072710AA	1				EN0	DG0		HOSE, Engine Oil Cooler
18	05003558AA	1				EN0	DG0		FILTER, Engine Oil
19	05066946AA	1				EN0	DG0		GASKET
20	05072709AA	1				EN0	DG0		HOSE, Engine Oil Cooler
21	05066816AA	1				EN0	DG0		VALVE, Oil Pressure Relief
22	05093915AA	1				EN0	DG0		SPRING, Oil Pressure Relief Valve
23	05066887AA	1				EN0	DBB		O RING
24	05066886AA	1				EN0	DG0		PLUG
25	05093916AA	1				EN0	DG0		ADAPTER

LIBERTY (KJ)				
SERIES	LINE	BODY	ENGINE	TRANSMISSION
P = Limited	J = LHD (4WD)	74 = 4 Door (104.3 WB)	ED1 = Engine - 2.4L 4 Cyl DOHC 16v SMPI	DDD = Transmission - 5-Speed HD Manual
H = Sport	U = RHD (4WD)		EKG = Engine - 3.7L V6	DDK = Transmission - 5-Speed HD Manual
M = Renegade	T = LHD (2WD)		ENJ = Engine -2.5L 4 Cyl 16V Turbo Diesel	DG4 = Transmission-Multi-Speed Auto, 45RFE
			ENR = Engine - 2.8L 4 Cyl Turbo Diesel	DG6 = Transmission-4-Spd. Automatic, 42RLE
			EN0 = 4Cyl Turbo Diesel	DGQ = Transmission-5-Spd Automatic 5-45RFE
			ED0 = All 2.4L	DBB = All Manual Transmissions DG0 = All Automatic Transmissions

AR = use ase required - = Non illustrated part

**Oil Line 2.8 Diesel [ENR]
Figure 2.8L-720**

ITEM	PART NUMBER	QTY	LINE	SERIES	BODY	ENGINE	TRANS	TRIM	DESCRIPTION
26	05066889AA	2				EN0	DG0		BOLT, Oil Feed To Turbo Adapter
27	05093906AA	1				EN0	DG0		CLAMP
28	05093914AA	1				EN0	DG0		CLAMP



LIBERTY (KJ)

SERIES LINE
P = Limited J = LHD (4WD)
H = Sport U = RHD (4WD)
M = Renegade T = LHD (2WD)

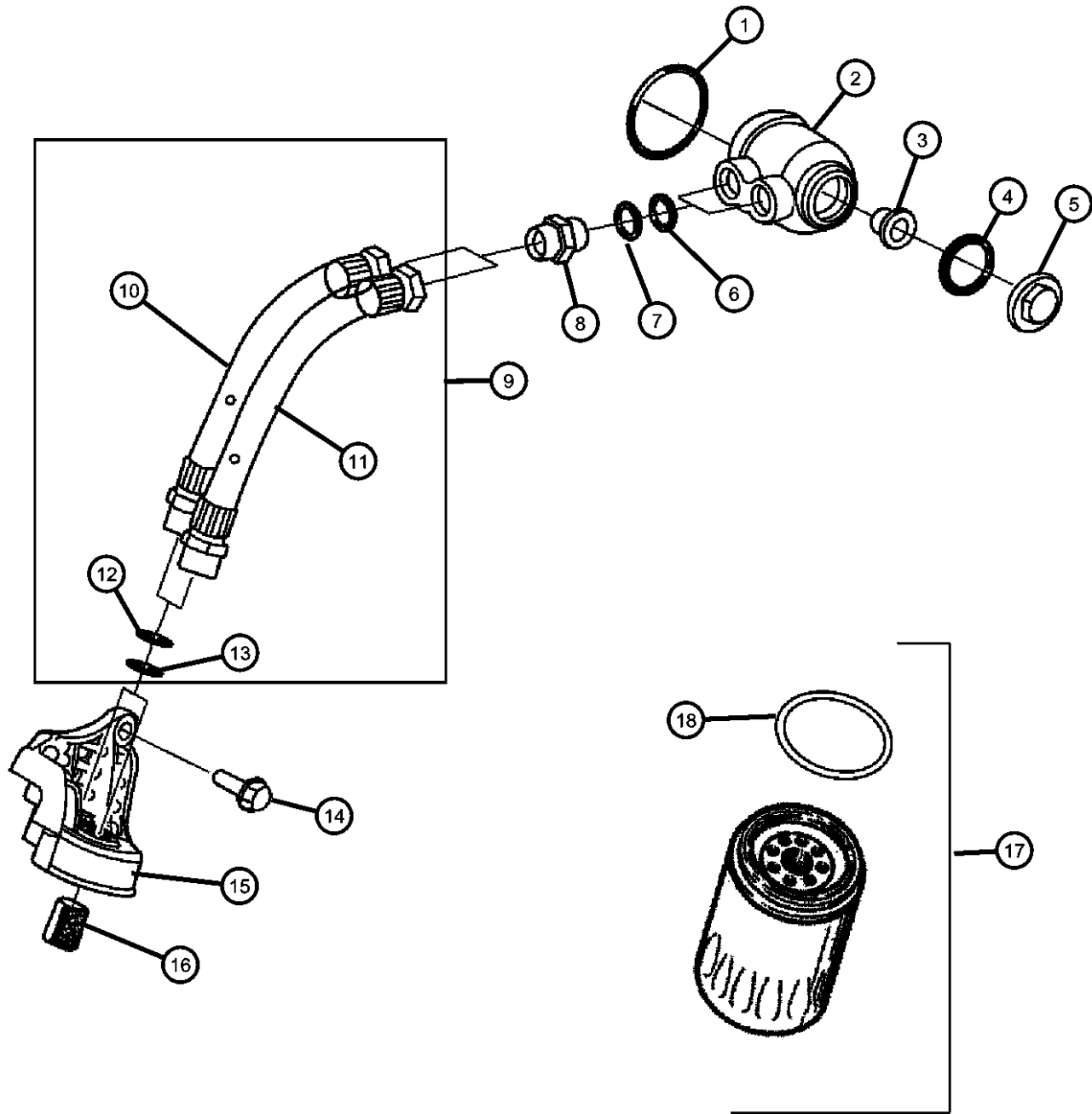
BODY
74 = 4 Door (104.3 WB)

ENGINE
ED1 = Engine - 2.4L 4 Cyl
DOHC 16v SMPI
EKG = Engine - 3.7L V6
ENJ = Engine -2.5L 4 Cyl 16V
Turbo Diesel
ENR = Engine - 2.8L 4 Cyl
Turbo Diesel
EN0 = 4Cyl Turbo Diesel
EKO = All 3.7L
EDO = All 2.4L

TRANSMISSION
DDD = Transmission - 5-Speed HD
Manual
DDK = Transmission - 5-Speed HD
Manual
DG4 = Transmission-Multi-Speed
Auto, 45RFE
DG6 = Transmission-4-Spd.
Automatic, 42RLE
DGQ = Transmission-5-Spd Automatic
5-45RFE
DBB = All Manual Transmissions
DG0 = All Automatic Transmissions

AR = use ase required - = Non illustrated part

**Engine Oil Filter Adapter And Lines 2.8L Diesel [ENR]
Figure 2.8L-730**



ITEM	PART NUMBER	QTY	LINE	SERIES	BODY	ENGINE	TRANS	TRIM	DESCRIPTION
1	04720375	1				EN0	DG0		O RING, Oil Filter Base
2	05072716AA	1				EN0	DBB		ADAPTER, Oil Filter
3	04723334	1				EN0	DG0		GASKET, Valve
4	04886305AA	1				EN0	DG0		O RING, Oil Filter Adapter
5	05072718AB	1				EN0	DG0		NUT
6	05159122AA	4				EN0	DG0		WASHER
7	05159213AA	4				EN0	DBB		WASHER
8	05093920AA	2				EN0	DBB		UNION
9	05183851AA	1				EN0	DG0		PIPE, Kit Includes 10,11,12,13

LIBERTY (KJ)

SERIES LINE
P = Limited J = LHD (4WD)
H = Sport U = RHD (4WD)
M = Renegade T = LHD (2WD)

BODY
74 = 4 Door (104.3 WB)

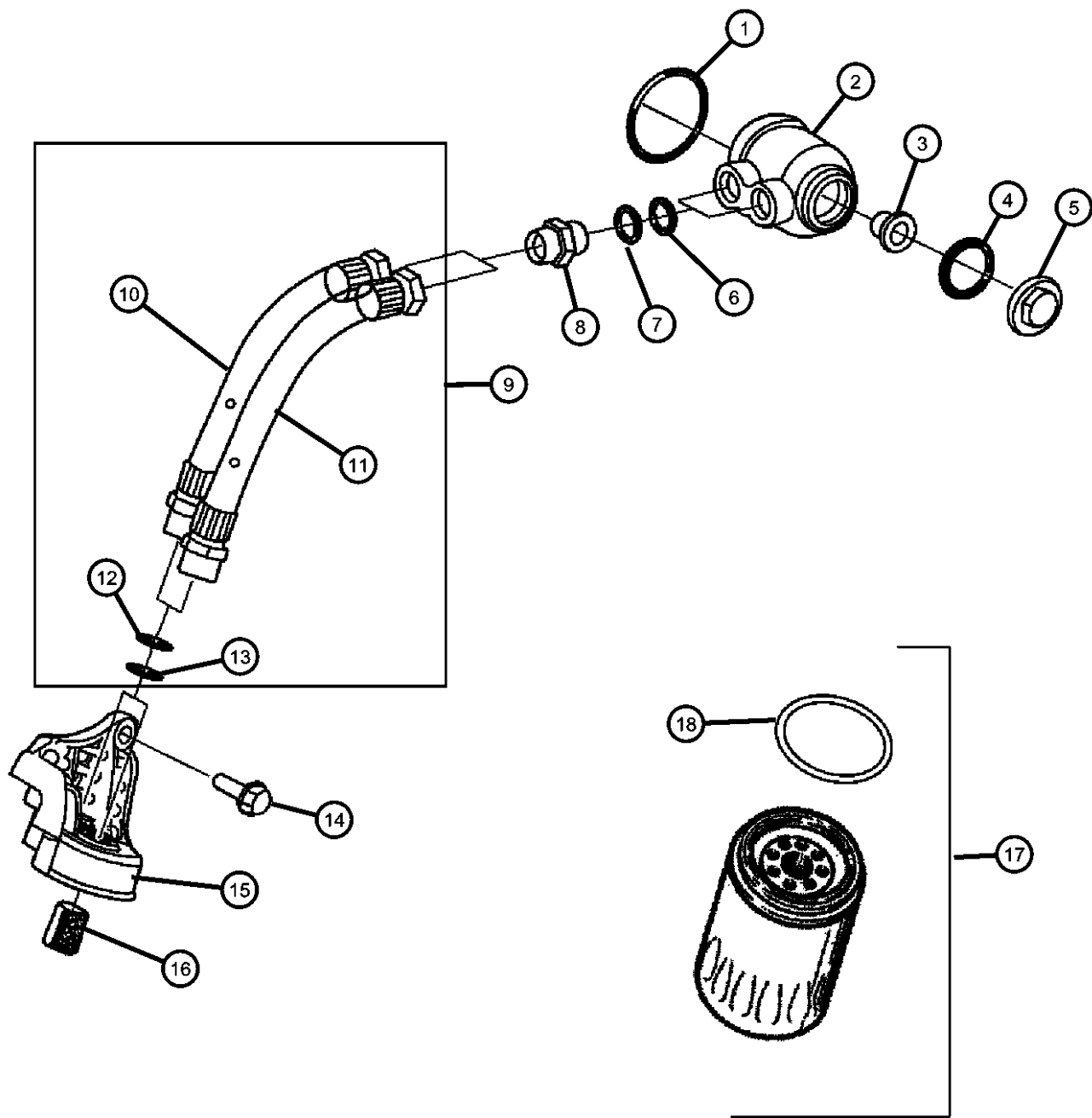
ENGINE
ED1 = Engine - 2.4L 4 Cyl
DOHC 16v SMPI
EKG = Engine - 3.7L V6
ENJ = Engine -2.5L 4 Cyl 16V
Turbo Diesel
ENR = Engine - 2.8L 4 Cyl
Turbo Diesel
EN0 = 4Cyl Turbo Diesel
EKO = All 3.7L
EDO = All 2.4L

TRANSMISSION
DDD = Transmission - 5-Speed HD
Manual
DDK = Transmission - 5-Speed HD
Manual
DG4 = Transmission-Multi-Speed
Auto, 45RFE
DG6 = Transmission-4-Spd.
Automatic, 42RLE
DGQ = Transmission-5-Spd Automatic
5-45RFE
DBB = All Manual Transmissions
DG0 = All Automatic Transmissions

AR = use ase required - = Non illustrated part

2004 KJ

**Engine Oil Filter Adapter And Lines 2.8L Diesel [ENR]
Figure 2.8L-730**



ITEM	PART NUMBER	QTY	LINE	SERIES	BODY	ENGINE	TRANS	TRIM	DESCRIPTION
10		1				EN0	DG0		PIPE
	05183852AA	1				EN0	DBB		
11		1				EN0	DG0		PIPE
	05183853AA	1				EN0	DBB		
		1				EN0	DG0		
12		4				EN0	DBB		O RING
	05093918AA	4				EN0	DG0		
13		4				EN0	DBB		WASHER
	05159122AA	4				EN0	DG0		
14		4				EN0	DBB		BOLT, Adaptor Plate
	05003532AA	1				EN0	DBB		
		1				EN0	DG0		
15		1				EN0	DBB		BRACKET, Oil Filter Housing
	05072711AB	1				EN0	DG0		
		1				EN0	DBB		
16		1				EN0	DG0		UNION, Oil Filter Base
	04897252AA	1				EN0	DBB		
		1				EN0	DG0		
17		1				EN0	DBB		FILTER, Engine Oil
	05003558AA	1				EN0	DG0		
		1				EN0	DBB		
18		1				EN0	DG0		GASKET
	05066946AA	1				EN0	DBB		
		1				EN0	DG0		

LIBERTY (KJ)

SERIES LINE
P = Limited J = LHD (4WD)
H = Sport U = RHD (4WD)
M = Renegade T = LHD (2WD)

BODY
74 = 4 Door (104.3 WB)

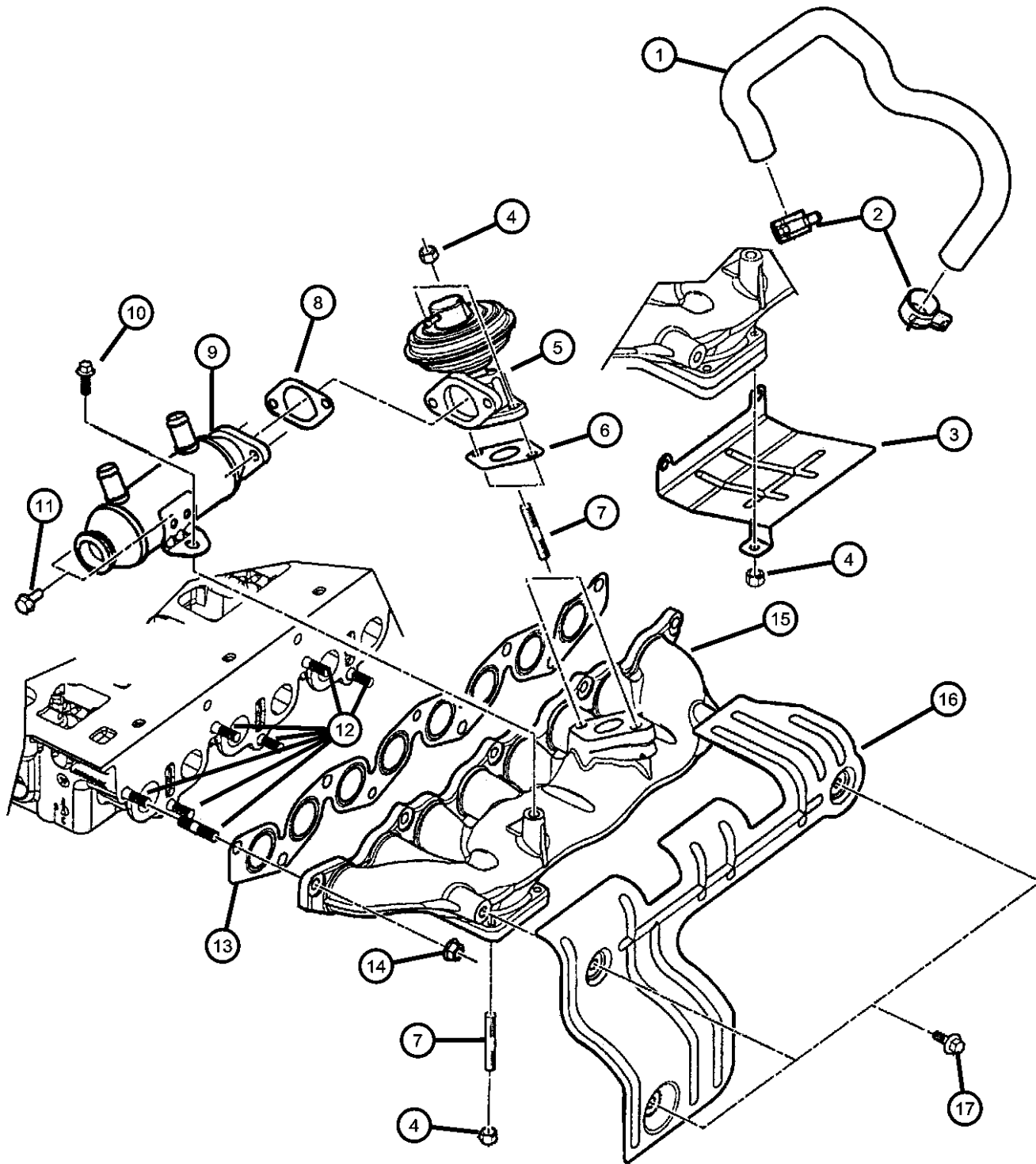
ENGINE
ED1 = Engine - 2.4L 4 Cyl
DOHC 16v SMPI
EKG = Engine - 3.7L V6
ENJ = Engine -2.5L 4 Cyl 16V
Turbo Diesel
ENR = Engine - 2.8L 4 Cyl
Turbo Diesel
EN0 = 4Cyl Turbo Diesel
EKO = All 3.7L
ED0 = All 2.4L

TRANSMISSION
DDD = Transmission - 5-Speed HD
Manual
DDK = Transmission - 5-Speed HD
Manual
DG4 = Transmission-Multi-Speed
Auto, 45RFE
DG6 = Transmission-4-Spd.
Automatic, 42RLE
DGQ = Transmission-5-Spd Automatic
5-45RFE
DBB = All Manual Transmissions
DG0 = All Automatic Transmissions

AR = use ase required - = Non illustrated part

2004 KJ

**Manifolds, 2.8L Diesel [ENR]
Figure 2.8L-810**



ITEM	PART NUMBER	QTY	LINE	SERIES	BODY	ENGINE	TRANS	TRIM	DESCRIPTION
------	-------------	-----	------	--------	------	--------	-------	------	-------------

Note:
Sales Codes
[DG0] = All Automatic Transmissions
[EN0] = All 4/5 Cylinder Turbo Diesels

1	05072689AA	1				EN0	DG0		PIPE, EGR to Manifold
2	04883924AA	4				EN0	DG0		CLAMP, Heater Hose
3	04883924AA	4							SHIELD, Exhaust Manifold, (NOT SERVICED)
4	04882610	6				EN0	DG0		NUT, Lock
5	05096234AA	1				EN0	DG0		VALVE, EGR
6	05083261AA	1				EN0	DG0		GASKET, EGR Tube Flange
7	04882606	6				EN0	DG0		STUD, Turbo Elbow
8	05083261AA	1				EN0	DG0		GASKET, EGR Tube Flange
9	05072687AB	1				EN0	DG0		COOLER, EGR
10	05072688AA	4				EN0	DG0		SCREW
11	05066986AA	2				EN0	DG0		SCREW
12	05066796AA	9				EN0	DG0		STUD, Turbo Elbow
13	05093904AA	1				EN0	DG0		GASKET, Intake/Exhaust Manifold
14	05093903AA	9				EN0	DG0		NUT, Lock
15	05072686AA	1				EN0	DG0		MANIFOLD, Exhaust
16	05072691AA	1				EN0	DG0		SHIELD, Exhaust Manifold
17	05072688AA	4				EN0	DG0		SCREW

LIBERTY (KJ)

SERIES LINE
P = Limited J = LHD (4WD)
H = Sport U = RHD (4WD)
M = Renegade T = LHD (2WD)

BODY
74 = 4 Door (104.3 WB)

ENGINE
ED1 = Engine - 2.4L 4 Cyl
DOHC 16v SMPI
EKG = Engine - 3.7L V6
ENJ = Engine -2.5L 4 Cyl 16V
Turbo Diesel
ENR = Engine - 2.8L 4 Cyl
Turbo Diesel
EN0 = 4Cyl Turbo Diesel
EKO = All 3.7L
ED0 = All 2.4L

TRANSMISSION
DDD = Transmission - 5-Speed HD
Manual
DDK = Transmission - 5-Speed HD
Manual
DG4 = Transmission-Multi-Speed
Auto, 45RFE
DG6 = Transmission-4-Spd.
Automatic, 42RLE
DGQ = Transmission-5-Spd Automatic
5-45RFE
DBB = All Manual Transmissions
DG0 = All Automatic Transmissions

AR = use ase required - = Non illustrated part

2004 KJ

Crankcase Ventilation 2.8 Diesel [ENR]

Figure 2.8L-910

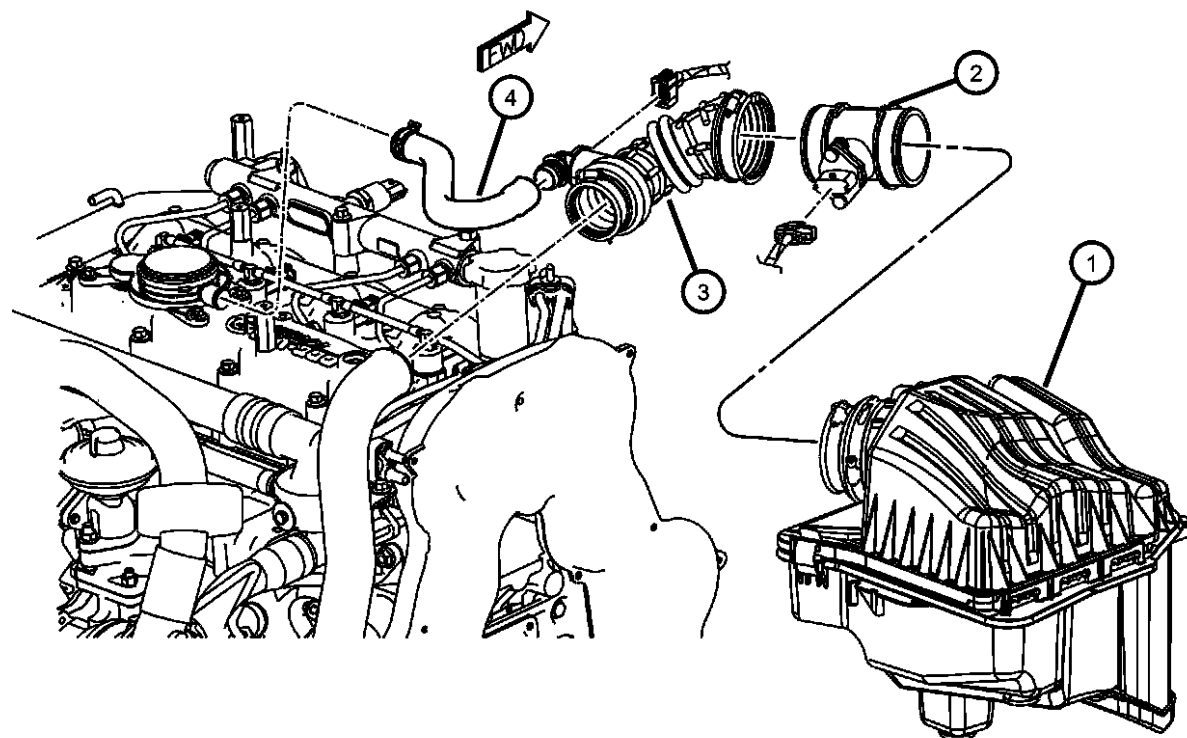
ITEM	PART NUMBER	QTY	LINE	SERIES	BODY	ENGINE	TRANS	TRIM	DESCRIPTION
------	-------------	-----	------	--------	------	--------	-------	------	-------------

NOTES:

Sales Codes

[EN0]= All 4/5 Cylinder Turbo Diesels

1	53013107AB	1				EN0			AIR CLEANER
2	53013107AB	1							SENSOR PACKAGE, Air Flow Meter, (NOT SERVICED)
3	53013104AB	1				EN0			HOSE, Clean Air
4	53013094AC	1				EN0			HOSE, Oil Separator



LIBERTY (KJ)

SERIES

P = Limited
H = Sport
M = Renegade

LINE

J = LHD (4WD)
U = RHD (4WD)
T = LHD (2WD)

BODY

74 = 4 Door (104.3 WB)

ENGINE

ED1 = Engine - 2.4L 4 Cyl
DOHC 16v SMPI
EKG = Engine - 3.7L V6
ENJ = Engine -2.5L 4 Cyl 16V
Turbo Diesel
ENR = Engine - 2.8L 4 Cyl
Turbo Diesel
EN0 = 4Cyl Turbo Diesel
EK0 = All 3.7L
ED0 = All 2.4L

TRANSMISSION

DDD = Transmission - 5-Speed HD
Manual
DDK = Transmission - 5-Speed HD
Manual
DG4 = Transmission-Multi-Speed
Auto, 45RFE
DG6 = Transmission-4-Spd.
Automatic, 42RLE
DGQ = Transmission-5-Spd Automatic
5-45RFE
DBB = All Manual Transmissions
DG0 = All Automatic Transmissions

AR = use ase required - = Non illustrated part

2004 KJ

Group - 11

Exhaust

Group - 11 Exhaust

Illustration Title

Group-Fig. No.

Exhaust System

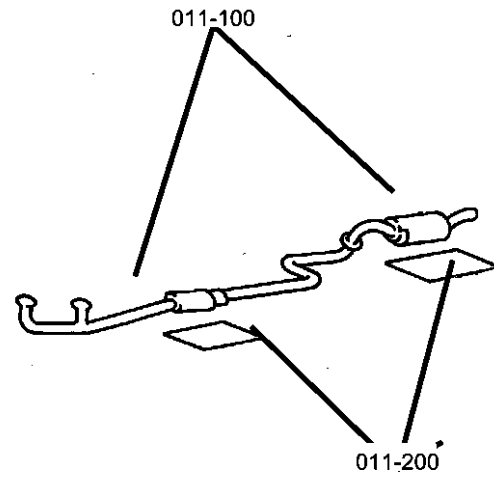
Exhaust System, 2.8L [EN0] Fig. 11 - 110

Exhaust System 2.4L [ED1] Fig. 11 - 120

Exhaust System 3.7L [EKG] Fig. 11 - 130

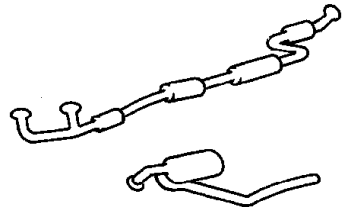
Heat Shields

Heat Shields Fig. 11 - 210



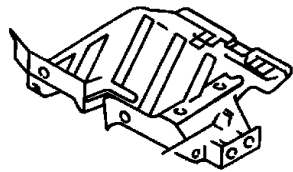
011-100

Exhaust System

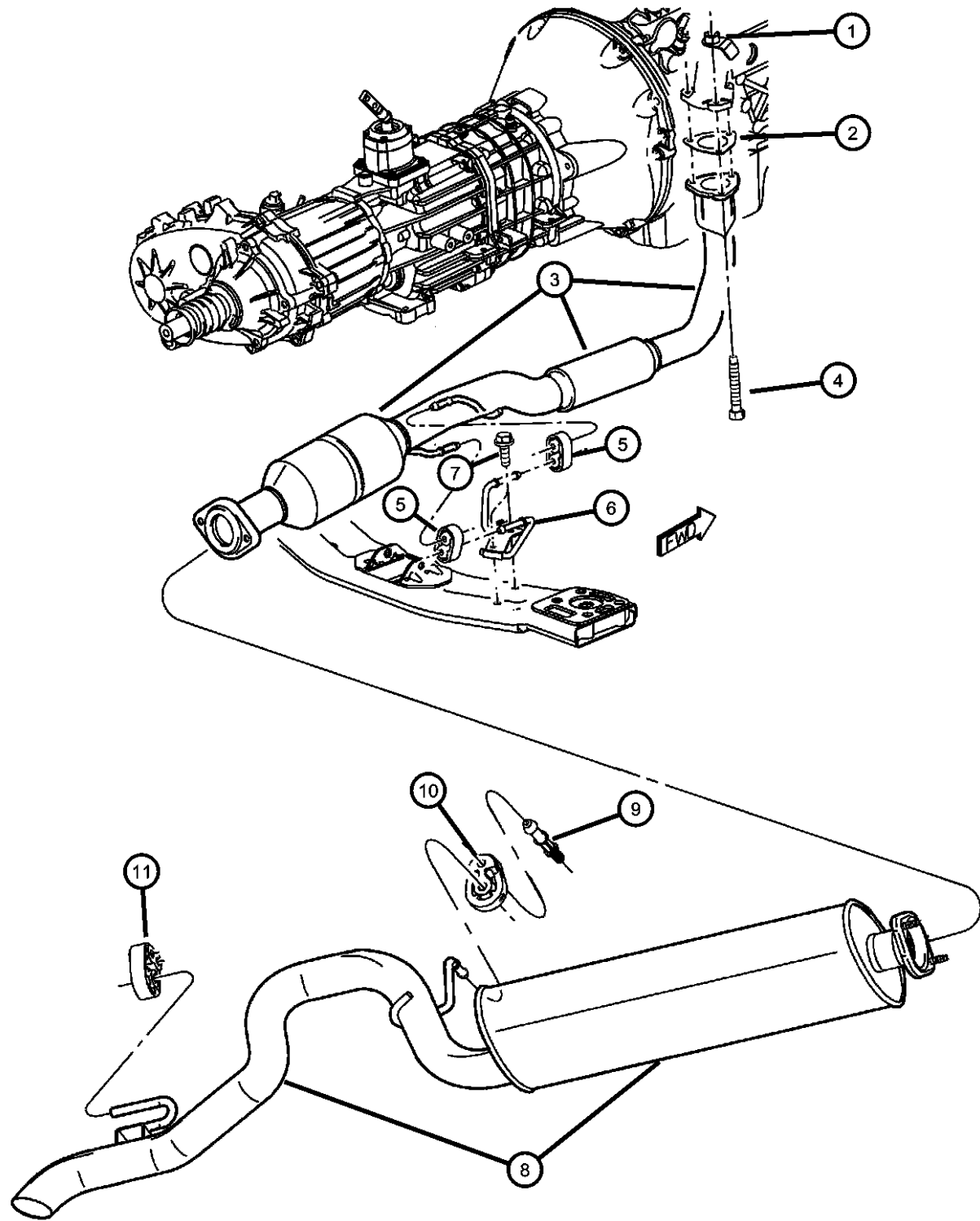


011-200

Heat Shields



**Exhaust System, 2.8L [EN0]
Figure 11-110**



ITEM	PART NUMBER	QTY	LINE	SERIES	BODY	ENGINE	TRANS	TRIM	DESCRIPTION
------	-------------	-----	------	--------	------	--------	-------	------	-------------

Note; Sales Codes
[EN0]= All 2.8L 4 Cylinder Turbo Diesels

1	04682810AB	4				ED0			NUT, Hex Flange, M8x1.25
2	52101165AA	1				EN0			GASKET, Manifold To Pipe
3	52128687AB	1				EN0			PIPE AND CONVERTER, Exhaust, To Manifold
4	52128687AB	1							BOLT AND WASHER, Self Taping Flange Head, M8x1.25x40.00, (NOT SERVICED)
5	52101035	2				EN0			INSULATOR, Exhaust
6	52128686AB	1				EN0			HANGER, Exhaust
7	06101611	2				EN0			SCREW AND WASHER, Hex Head, M8x1.25x25
8	52101120AD	1							MUFFLER AND TAILPIPE, Exhaust
9	52128502AB	1							HANGER, Exhaust
10	52128501AA	1							ISOLATOR, Exhaust
11	52101126AA	1							ISOLATOR, Exhaust

LIBERTY (KJ)

SERIES	LINE
P = Limited	J = LHD (4WD)
H = Sport	U = RHD (4WD)
M = Renegade	T = LHD (2WD)

BODY
74 = 4 Door (104.3 WB)

ENGINE
ED1 = Engine - 2.4L 4 Cyl DOHC 16v SMPI
EKG = Engine - 3.7L V6
ENJ = Engine -2.5L 4 Cyl 16V Turbo Diesel
ENR = Engine - 2.8L 4 Cyl Turbo Diesel
EN0 = 4Cyl Turbo Diesel
ED0 = All 2.4L

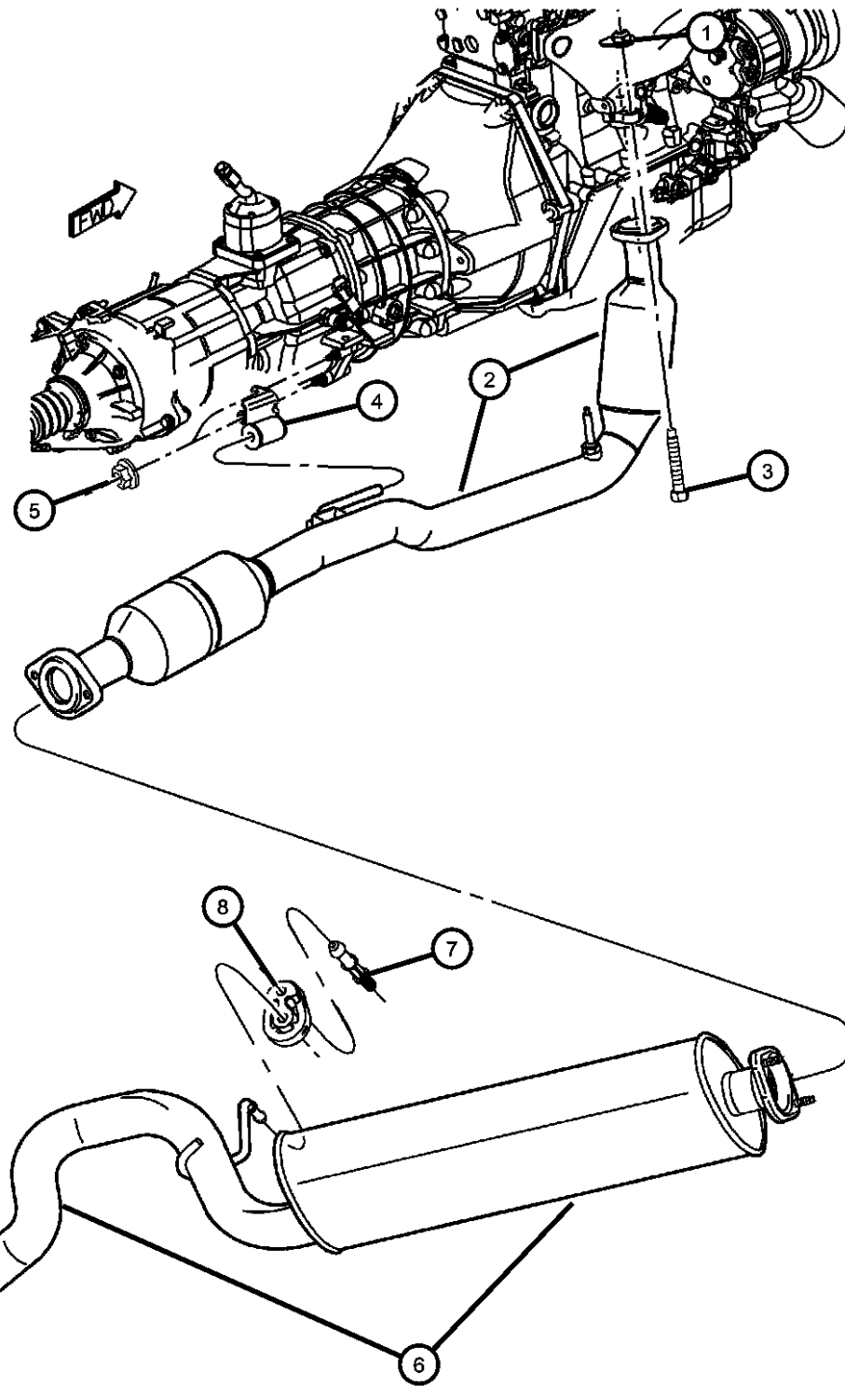
TRANSMISSION
DDD = Transmission - 5-Speed HD Manual
DDK = Transmission - 5-Speed HD Manual
DG4 = Transmission-Multi-Speed Auto, 45RFE
DG6 = Transmission-4-Spd. Automatic, 42RLE
DGQ = Transmission-5-Spd Automatic 5-45RFE
DBB = All Manual Transmissions
DG0 = All Automatic Transmissions

AR = use ase required - = Non illustrated part

2004 KJ

**Exhaust System 2.4L [ED1]
Figure 11-120**

ITEM	PART NUMBER	QTY	LINE	SERIES	BODY	ENGINE	TRANS	TRIM	DESCRIPTION
------	-------------	-----	------	--------	------	--------	-------	------	-------------



Note; Sales Codes

[DD0]= All 5 Speed Manual Transmissions

[ED0]= All 2.2L,2.5L,2.4L, 4 Cylinder Gas Engines

1	04682810AB	4				ED0			NUT, Hex Flange, M8x1.25
2	52128684AC	1				ED0			PIPE AND CONVERTER, Exhaust, To Manifold
3	06505954AA	2				ED0			SCREW, Hex Head Pilot Point, M8x1.25x65.00
4	52101150AB	1				ED0	DD0		HANGER, Exhaust
5	06101695	2				ED0			NUT, Hex Flange Lock
6	52101120AD	1							MUFFLER AND TAILPIPE, Exhaust
7	52128502AB	1							HANGER, Exhaust
8	52128501AA	1							ISOLATOR, Exhaust
9	52101126AA	1							ISOLATOR, Exhaust

LIBERTY (KJ)

SERIES

P = Limited
H = Sport
M = Renegade

LINE

J = LHD (4WD)
U = RHD (4WD)
T = LHD (2WD)

BODY

74 = 4 Door (104.3 WB)

ENGINE

ED1 = Engine - 2.4L 4 Cyl DOHC 16v SMPI
EKG = Engine - 3.7L V6
ENJ = Engine -2.5L 4 Cyl 16V Turbo Diesel
ENR = Engine - 2.8L 4 Cyl Turbo Diesel
ENO = 4Cyl Turbo Diesel
EKO = All 3.7L
EDO = All 2.4L

TRANSMISSION

DDD = Transmission - 5-Speed HD Manual
DDK = Transmission - 5-Speed HD Manual
DG4 = Transmission-Multi-Speed Auto, 45RFE
DG6 = Transmission-4-Spd. Automatic, 42RLE
DGQ = Transmission-5-Spd Automatic 5-45RFE
DBB = All Manual Transmissions
DG0 = All Automatic Transmissions

AR = use ase required - = Non illustrated part

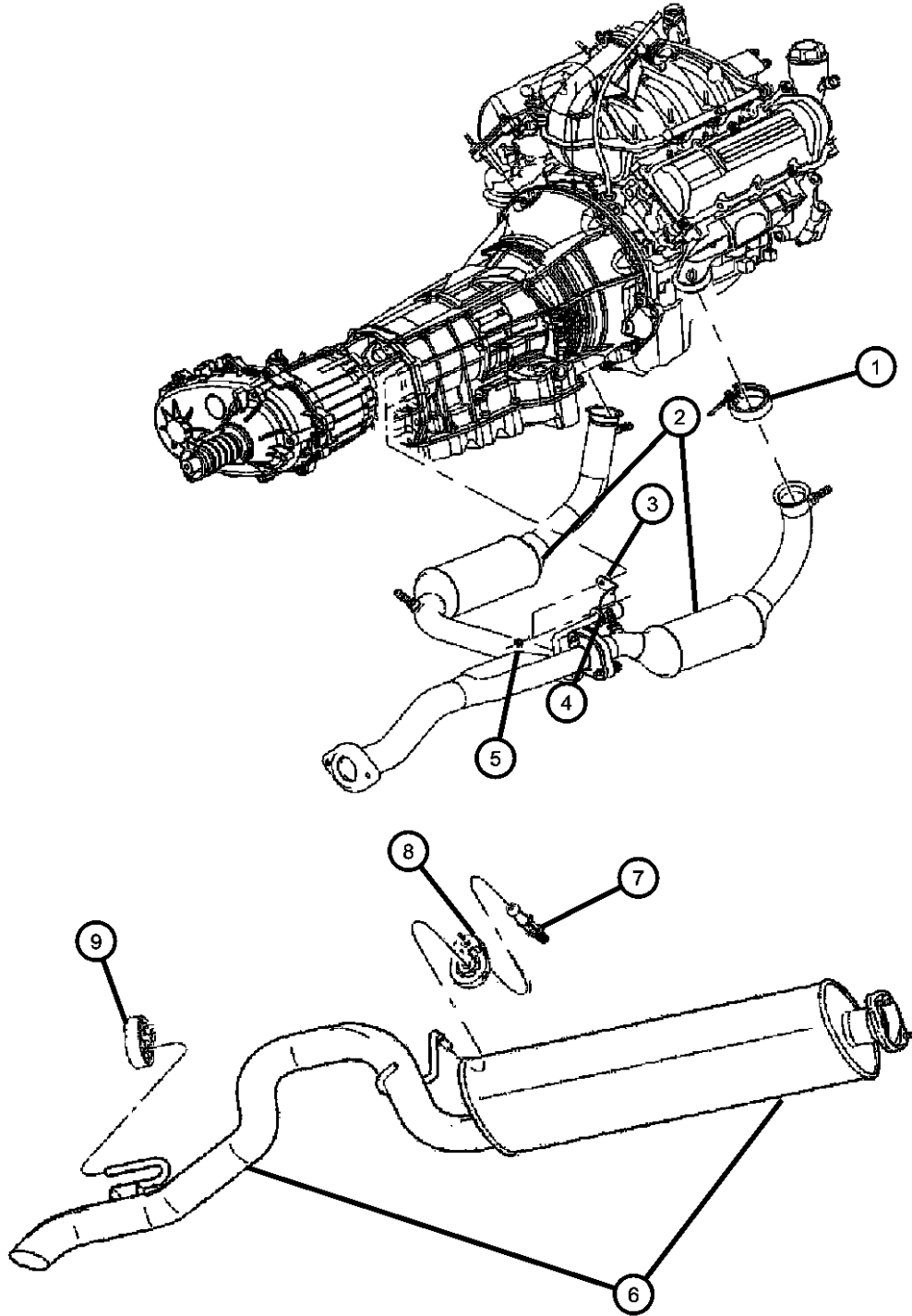
2004 KJ

**Exhaust System 3.7L [EKG]
Figure 11-130**

ITEM	PART NUMBER	QTY	LINE	SERIES	BODY	ENGINE	TRANS	TRIM	DESCRIPTION
------	-------------	-----	------	--------	------	--------	-------	------	-------------

Note; Sales Codes
 [DD0]=All 5 Speed Manual Transmissions
 [DG0]= All Automatic Transmissions
 [EK0]= All 3.7L 6 Cylinder Gas Engines

1	04581014AB	2				EK0			CLAMP, Exhaust Manifold
2	52128599AG	1				EK0			PIPE AND CONVERTER, Exhaust
3									HANGER, Exhaust
	52128668AA	1				EK0	DDQ		Right
	52128669AA	1				EK0	DDQ		Left
	52128720AA	1				EK0	DBB		Right
	52128721AA	1				EK0	DBB		Left
4									BUSHING, Exhaust Hanger
	52085085	1				EK0	DG6		
		1				EK0	DD0		
5		1							NUT, Hex Flange Lock, M8x1.25, (NOT SERVICED)
6	52101120AD	1							MUFFLER AND TAILPIPE, Exhaust
7	52128502AB	1							HANGER, Exhaust
8	52128501AA	1							ISOLATOR, Exhaust
9	52101126AA	1							ISOLATOR, Exhaust
-10	06502058	2				EK0	DD0		SCREW AND WASHER, Hex Head Special Point, M8x1.25x17, Front Hanger to Trans



LIBERTY (KJ)

SERIES	LINE
P = Limited	J = LHD (4WD)
H = Sport	U = RHD (4WD)
M = Renegade	T = LHD (2WD)

BODY
 74 = 4 Door (104.3 WB)

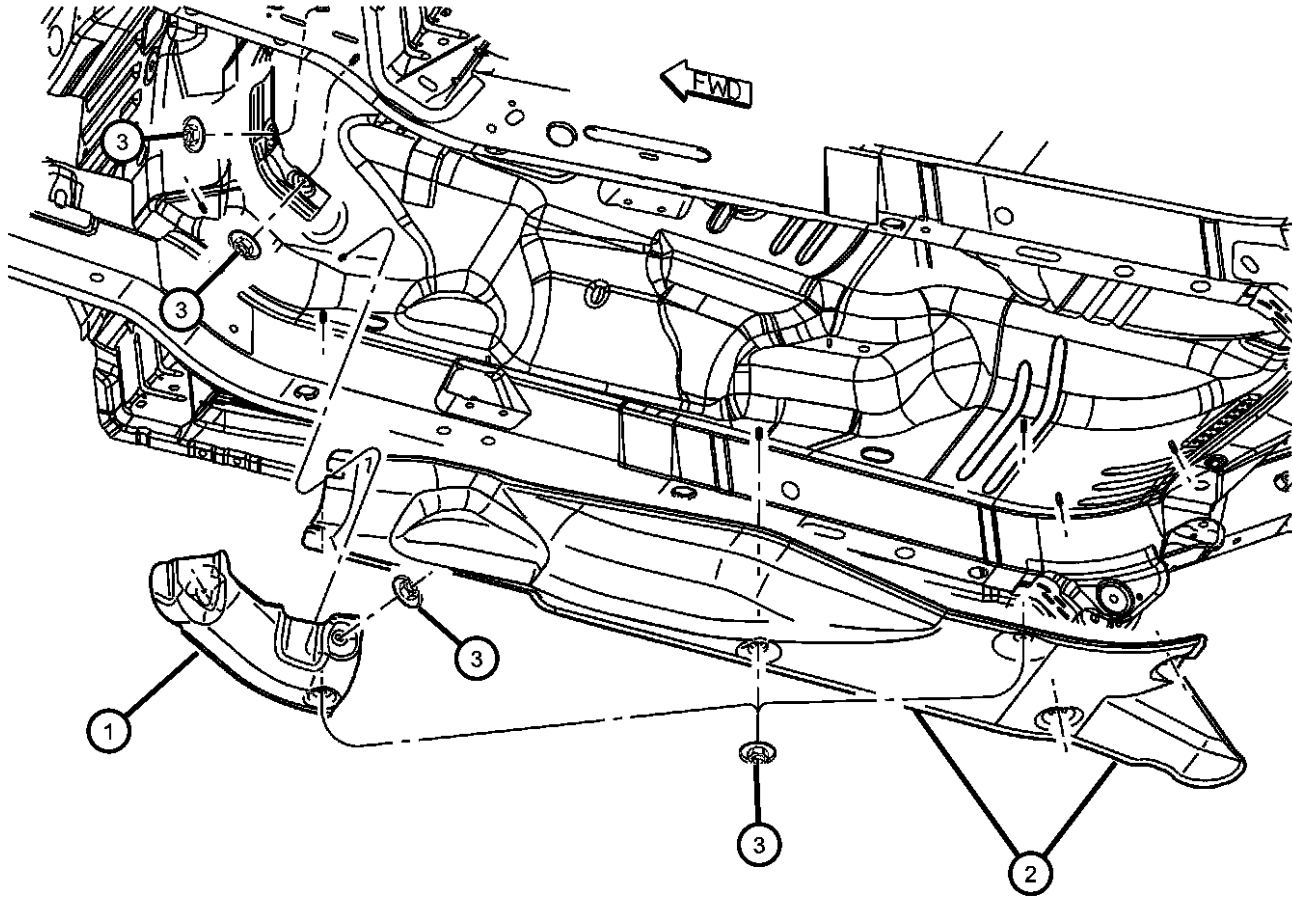
ENGINE	TRANSMISSION
ED1 = Engine - 2.4L 4 Cyl DOHC 16v SMPI	DDD = Transmission - 5-Speed HD Manual
EKG = Engine - 3.7L V6	DDK = Transmission - 5-Speed HD Manual
ENJ = Engine -2.5L 4 Cyl 16v Turbo Diesel	DG4 = Transmission-Multi-Speed Auto, 45RFE
ENR = Engine - 2.8L 4 Cyl Turbo Diesel	DG6 = Transmission-4-Spd. Automatic, 42RLE
ENO = 4Cyl Turbo Diesel	DGQ = Transmission-5-Spd Automatic 5-45RFE
EK0 = All 3.7L	DBB = All Manual Transmissions
ED0 = All 2.4L	DG0 = All Automatic Transmissions

AR = use ase required - = Non illustrated part

2004 KJ

Heat Shields
Figure 11-210

ITEM	PART NUMBER	QTY	LINE	SERIES	BODY	ENGINE	TRANS	TRIM	DESCRIPTION
1	55176791AA	1							SHIELD, Floor Pan
2	55176792AC	1							SHIELD, Floor Pan
3	55176792AC	1							NUT, Heat Shield Attach, M5x1.60, (NOT SERVICED)



LIBERTY (KJ)

SERIES

P = Limited
H = Sport
M = Renegade

LINE

J = LHD (4WD)
U = RHD (4WD)
T = LHD (2WD)

BODY

74 = 4 Door (104.3 WB)

ENGINE

ED1 = Engine - 2.4L 4 Cyl
DOHC 16v SMPI
EKG = Engine - 3.7L V6
ENJ = Engine -2.5L 4 Cyl 16V
Turbo Diesel
ENR = Engine - 2.8L 4 Cyl
Turbo Diesel
ENO = 4Cyl Turbo Diesel
EKO = All 3.7L
EDO = All 2.4L

TRANSMISSION

DDD = Transmission - 5-Speed HD
Manual
DDK = Transmission - 5-Speed HD
Manual
DG4 = Transmission-Multi-Speed
Auto, 45RFE
DG6 = Transmission-4-Spd.
Automatic, 42RLE
DGQ = Transmission-5-Spd Automatic
5-45RFE
DBB = All Manual Transmissions
DG0 = All Automatic Transmissions

AR = use ase required - = Non illustrated part

2004 KJ

Group - 13

Frames and Bumpers

Group - 13 Frames and Bumpers

Illustration Title

Group-Fig. No.

Frames

Frame Cradle.....Fig. 13 - 110

Front Bumper and Fascia

Bumper, Front.....Fig. 13 - 210

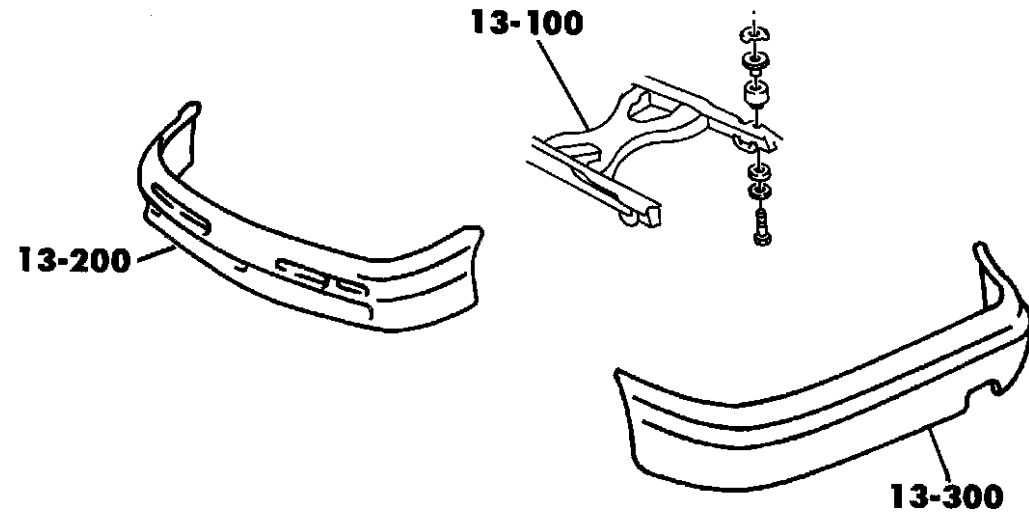
Rear Bumper and Fascia

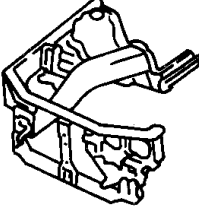
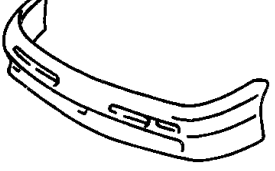

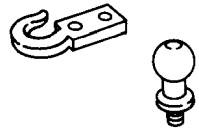
Bumper, Rear.....Fig. 13 - 310

Trailer Tow

Tow Hooks - Front.....Fig. 13 - 610

Tow Hooks - Rear.....Fig. 13 - 620

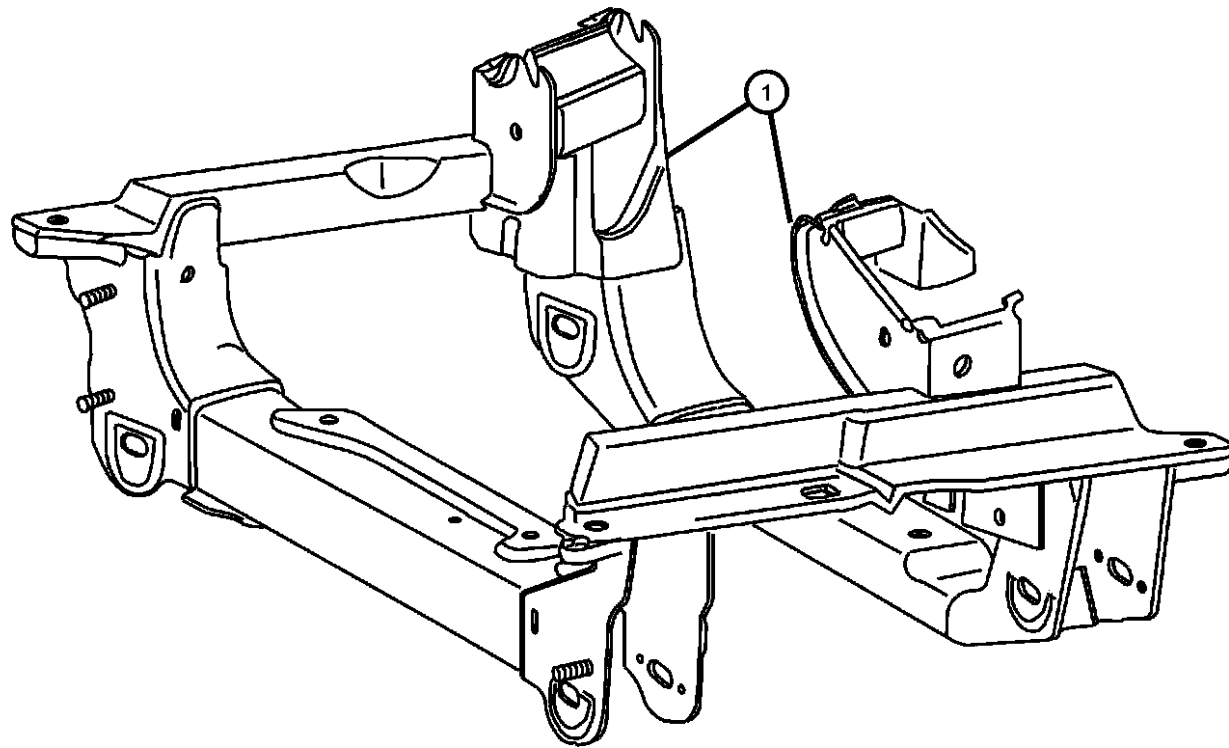


<p>013-100 Frames</p> 	<p>013-200 Front Bumper and Fascia</p> 	<p>013-300 Rear Bumper and Fascia</p> 	<p>013-600 Trailer Tow</p> 
--	---	---	---

Frame Cradle
Figure 13-110

ITEM	PART NUMBER	QTY	LINE	SERIES	BODY	ENGINE	TRANS	TRIM	DESCRIPTION
------	-------------	-----	------	--------	------	--------	-------	------	-------------

Note: When replacing Crossmember Cradle it is recommended to relace mounting screws.



1									CROSSMEMBER, Front Suspension
	52059462AG	1	J						[EK0]
		1	U						[EK0]
		1	T						[EK0]
	52059463AG	1	J						[ED0]
		1	U						[ED0]
		1	T						[ED0]
		1	J						[EN0]
		1	U						[EN0]
-2	06506672AA	2							SCREW AND WASHER, Hex, M14X2.0X135.0, Cradle Bolt
-3	06507135AA	2							SCREW, M12X1.75X135, Cradle Bolt
-4	52128539AC	1	J, U						SKID PLATE, Front
-5	06507371AA	AR							SCREW AND WASHER, Hex Head, M7 x 1.25 x 20.00, Front Structure to Crossmember

LIBERTY (KJ)

SERIES	LINE	BODY	ENGINE	TRANSMISSION
P = Limited	J = LHD (4WD)	74 = 4 Door (104.3 WB)	ED1 = Engine - 2.4L 4 Cyl DOHC 16v SMPI	DDD = Transmission - 5-Speed HD Manual
H = Sport	U = RHD (4WD)		EKG = Engine - 3.7L V6	DDK = Transmission - 5-Speed HD Manual
M = Renegade	T = LHD (2WD)		ENJ = Engine -2.5L 4 Cyl 16V Turbo Diesel	DG4 = Transmission-Multi-Speed Auto, 45RFE
			ENR = Engine - 2.8L 4 Cyl Turbo Diesel	DG6 = Transmission-4-Spd. Automatic, 42RLE
			ENO = 4Cyl Turbo Diesel	DGQ = Transmission-5-Spd Automatic 5-45RFE
			EK0 = All 3.7L	DBB = All Manual Transmissions
			ED0 = All 2.4L	DG0 = All Automatic Transmissions

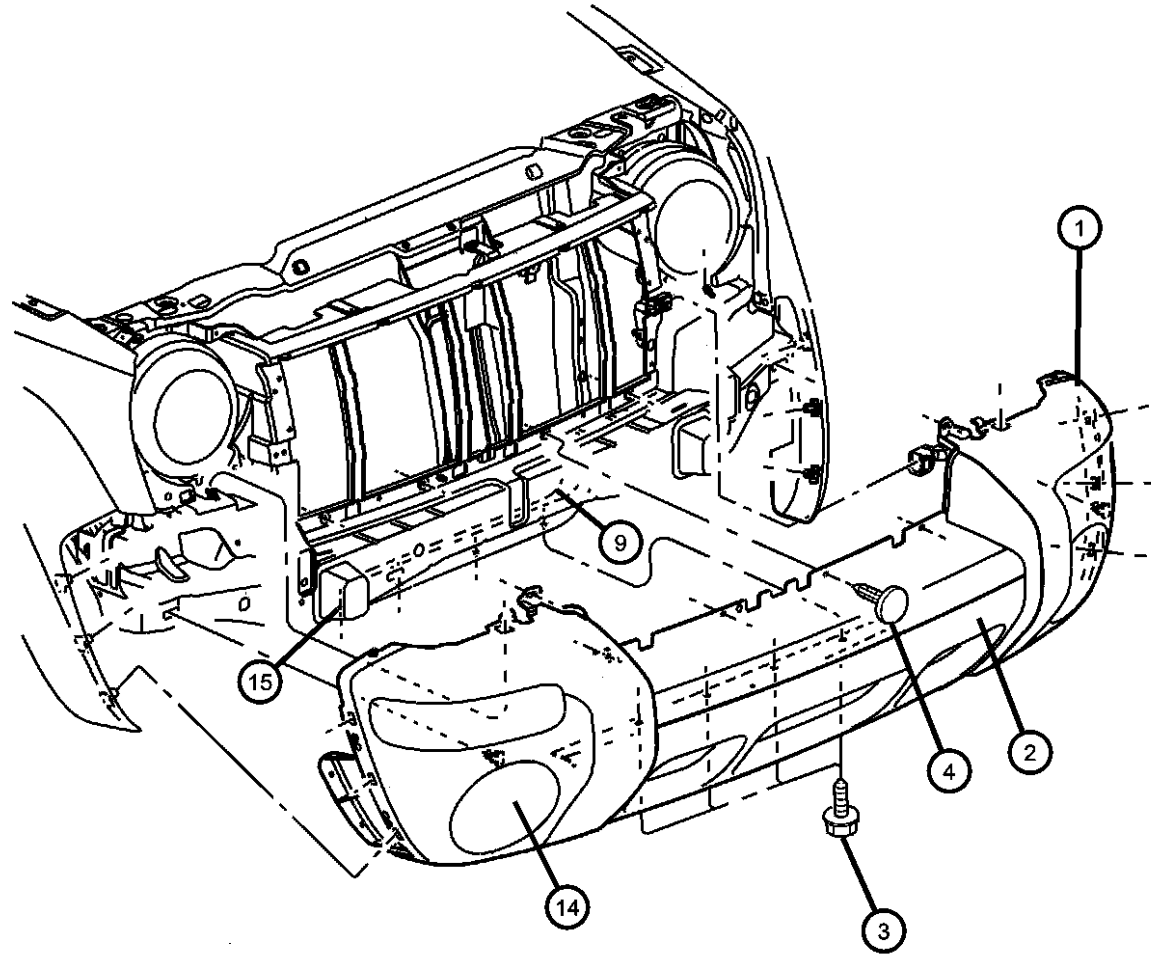
AR = use ase required - = Non illustrated part

2004 KJ

Bumper, Front
Figure 13-210

ITEM	PART NUMBER	QTY	LINE	SERIES	BODY	ENGINE	TRANS	TRIM	DESCRIPTION
------	-------------	-----	------	--------	------	--------	-------	------	-------------

NOTE: Sales Codes
[LNJ]=Fog Lamps
[MLA]=Fascia - Body Color
[MLC]=Fascia - Gray



1									FASCIA, Front, Primed
	05066606AC	1							[MLA,MCU]
	05073488AC	1							[ML3] With Renegade Package
	5GJ63HS5AC	1							[MLC]
2	5HX12WS2AB	1							BUMPER, Center Bezel
3	5HX12WS2AB	1							SCREW AND WASHER, Self Tapping, M6x1x22, (NOT SERVICED)
4	06506008AA	6							RETAINER, Fascia
-5	55156042AD	1							ABSORBER, Front Energy
-6	55155963AC	1							AIR DAM
-7	55155963AC	1							SCREW AND WASHER, Self Tapping, M6x1x22, (NOT SERVICED)
-8	55255994AC	1	J, T						BRACKET, License Plate, Package
9	55360190AE	1							CROSSMEMBER, Front Support
-10	06035201	3							RIVET
-11	06036148AA	4							RIVET, Blind, Three Leg
-12	06036148AA	4							NUT, M5, (NOT SERVICED)
-13									BRACKET, License Plate
	55155966AB	1	J, U						Export
	55255992AC	1	J, T						
14									COVER, Lamp Opening
	55156018AB	1							Right
	55156019AB	1							Left
15	55360410AA	2							SPACER, Jounce Bumper

LIBERTY (KJ)

SERIES LINE
P = Limited J = LHD (4WD)
H = Sport U = RHD (4WD)
M = Renegade T = LHD (2WD)

BODY
74 = 4 Door (104.3 WB)

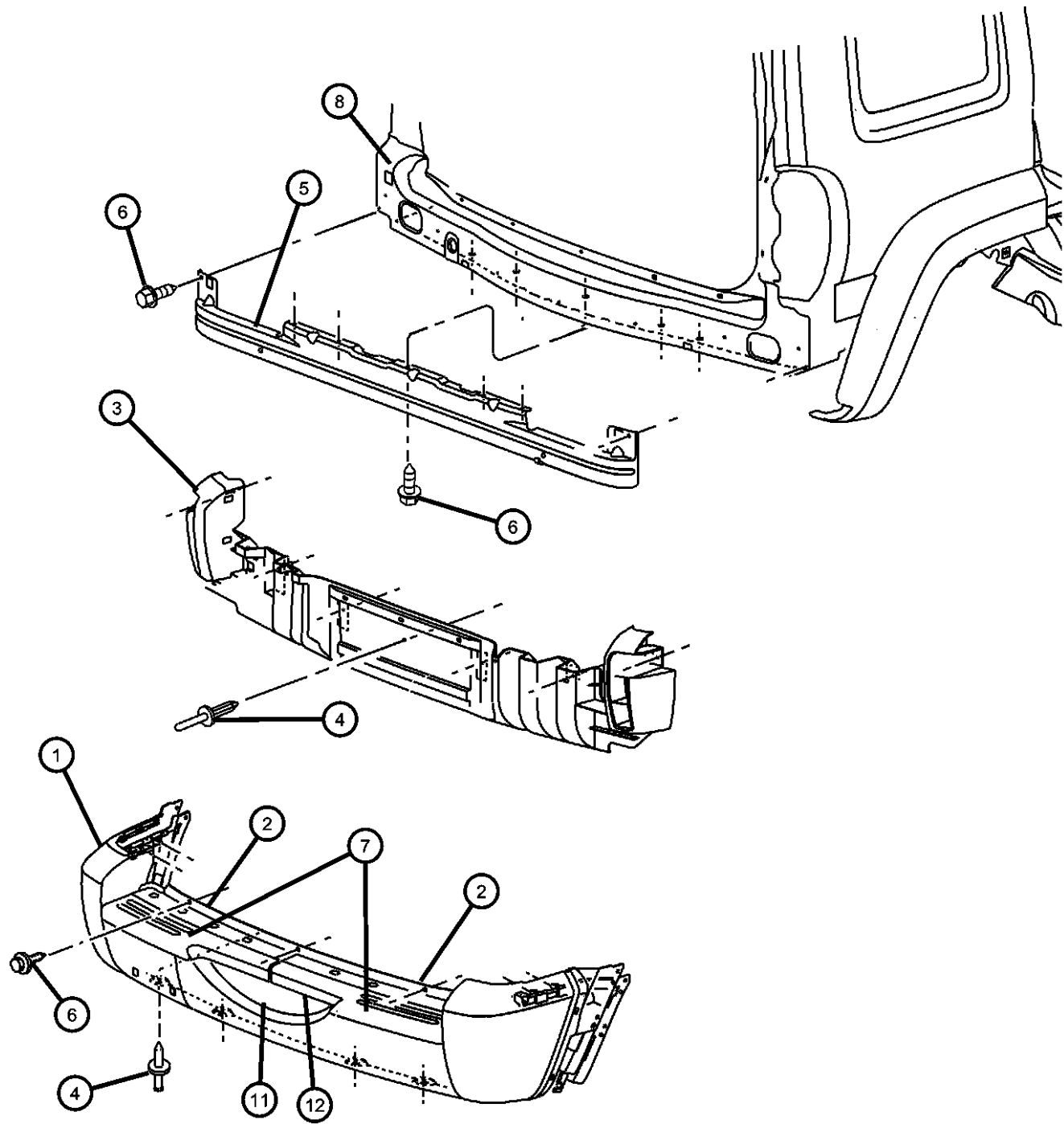
ENGINE
ED1 = Engine - 2.4L 4 Cyl DOHC 16v SMPI
EKG = Engine - 3.7L V6
ENJ = Engine -2.5L 4 Cyl 16v Turbo Diesel
ENR = Engine - 2.8L 4 Cyl Turbo Diesel
ENO = 4Cyl Turbo Diesel
EKO = All 3.7L
EDO = All 2.4L

TRANSMISSION
DDD = Transmission - 5-Speed HD Manual
DDK = Transmission - 5-Speed HD Manual
DG4 = Transmission-Multi-Speed Auto, 45RFE
DG6 = Transmission-4-Spd. Automatic, 42RLE
DGQ = Transmission-5-Spd Automatic 5-45RFE
DBB = All Manual Transmissions
DG0 = All Automatic Transmissions

AR = use ase required - = Non illustrated part

2004 KJ

Bumper, Rear
Figure 13-310



ITEM	PART NUMBER	QTY	LINE	SERIES	BODY	ENGINE	TRANS	TRIM	DESCRIPTION
------	-------------	-----	------	--------	------	--------	-------	------	-------------

NOTE : Sales Codes
 [ABE] = Export Equipment Group
 [MLA] = Fascias - Body Color
 [MLC] = Fascias - Silverstone

1									FASCIA, Rear
	05066317AF	1							[ML3,MCU,MLA] Without [ABE]
	05066328AD	1							[MLA,MCU], With [ABE]
	5GE72HS5AD	1							[MLC], With [ABE]
	5GJ58HS5AE	1							[MLC], Without [ABE]
2	06506008AA	6							RETAINER, Fascia
3									SUPPORT, Rear Fascia, Attaches directly to 55360227AB for Domestic vehicles
	55360678AA	1							Right
	55360679AA	1							Left
4	55360679AA	1							RIVET, (NOT SERVICED)
5	55155820AA	1		J, U					CROSSMEMBER, Bumper, Rear, Export only
6	06505900AA	7		J, U					SCREW, Tapping Hex Flange Head, M6.3 x 1.81 x 19.00, Export only
7									STEP PAD, Rear Bumper
	55155996AC	1							Right
	55155997AC	1							Left
8	55360227AD	1							PANEL, Liftgate Opening
-9	04399791	2							REFLECTOR, Fascia
-10	55255994AC	1		J, T					BRACKET, License Plate
11	55156801AA	1							TROUGH, Drip, Diverter
12	34201631	3							RIVET, M6.25x28 Black

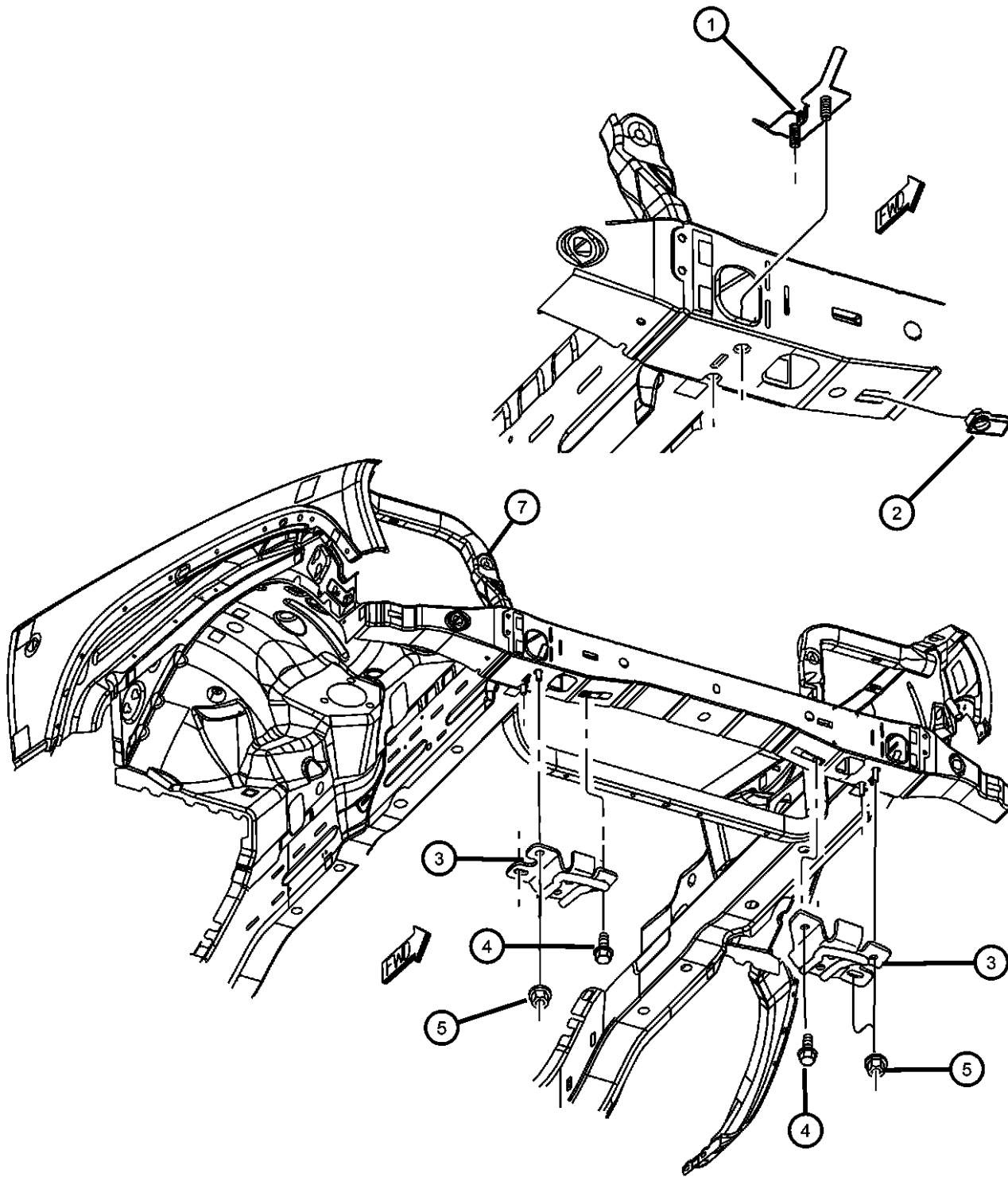
LIBERTY (KJ)

SERIES	LINE	BODY	ENGINE	TRANSMISSION
P = Limited	J = LHD (4WD)	74 = 4 Door (104.3 WB)	ED1 = Engine - 2.4L 4 Cyl DOHC 16v SMPI	DDD = Transmission - 5-Speed HD Manual
H = Sport	U = RHD (4WD)		EKG = Engine - 3.7L V6	DDK = Transmission - 5-Speed HD Manual
M = Renegade	T = LHD (2WD)		ENJ = Engine -2.5L 4 Cyl 16V Turbo Diesel	DG4 = Transmission-Multi-Speed Auto, 45RFE
			ENR = Engine - 2.8L 4 Cyl Turbo Diesel	DG6 = Transmission-4-Spd. Automatic, 42RLE
			ENO = 4Cyl Turbo Diesel	DGQ = Transmission-5-Spd Automatic 5-45RFE
			EKO = All 3.7L	DBB = All Manual Transmissions
			EDO = All 2.4L	DG0 = All Automatic Transmissions

AR = use ase required - = Non illustrated part

Tow Hooks - Front
Figure 13-610

ITEM	PART NUMBER	QTY	LINE	SERIES	BODY	ENGINE	TRANS	TRIM	DESCRIPTION
1	52059352AA	1							STUD PLATE
2	06504818AA	1							NUT, M10x1.50
3	52059353AA	1							EYE, Tow
4	06503699	8							SCREW AND WASHER, Hex Head, M10x1.5x28
5	06504818AA	1							NUT, M10x1.50
-6									HOOK, Tow
	52059236AB	1							Right
	52059237AB	1							Left
7	55176756AD	1							SUPPORT, Radiator



LIBERTY (KJ)

SERIES

P = Limited
H = Sport
M = Renegade

LINE

J = LHD (4WD)
U = RHD (4WD)
T = LHD (2WD)

BODY

74 = 4 Door (104.3 WB)

ENGINE

ED1 = Engine - 2.4L 4 Cyl
DOHC 16v SMPI
EKG = Engine - 3.7L V6
ENJ = Engine -2.5L 4 Cyl 16V
Turbo Diesel
ENR = Engine - 2.8L 4 Cyl
Turbo Diesel
ENO = 4Cyl Turbo Diesel
EKO = All 3.7L
EDO = All 2.4L

TRANSMISSION

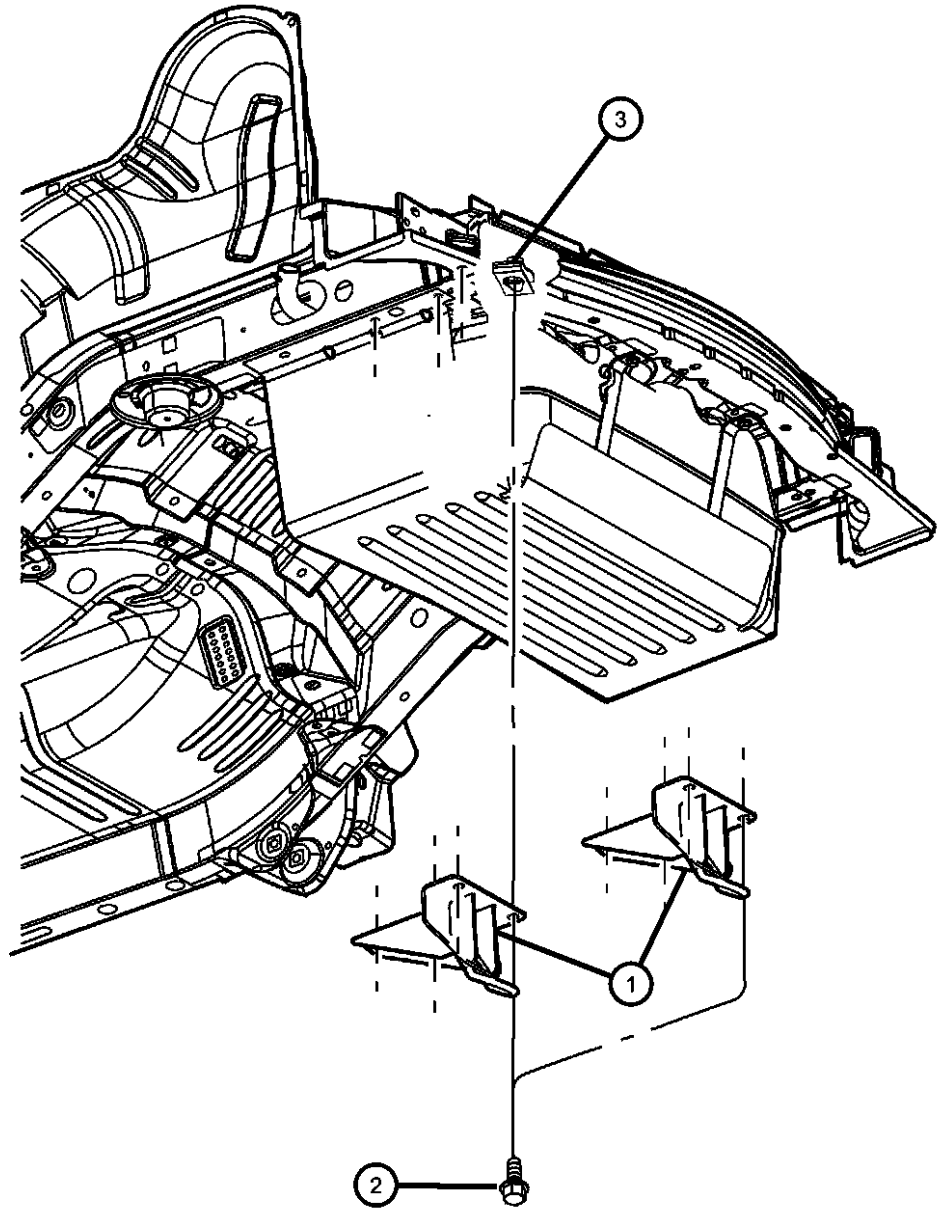
DDD = Transmission - 5-Speed HD
Manual
DDK = Transmission - 5-Speed HD
Manual
DG4 = Transmission-Multi-Speed
Auto, 45RFE
DG6 = Transmission-4-Spd.
Automatic, 42RLE
DGQ = Transmission-5-Spd Automatic
5-45RFE
DBB = All Manual Transmissions
DG0 = All Automatic Transmissions

AR = use ase required - = Non illustrated part

2004 KJ

Tow Hooks - Rear
Figure 13-620

ITEM	PART NUMBER	QTY	LINE	SERIES	BODY	ENGINE	TRANS	TRIM	DESCRIPTION
1	52059233AB	1							HOOK, Tow
	52059360AA	1							Hook
	52059360AA	1							Eye
2	06502557	6							BOLT, Hex Flange Head, M12x1.75x40
3	06504565	1							NUT, U Multi Thread
-4	52059224AC	1							HITCH, Trailer



LIBERTY (KJ)

SERIES

P = Limited
H = Sport
M = Renegade

LINE

J = LHD (4WD)
U = RHD (4WD)
T = LHD (2WD)

BODY

74 = 4 Door (104.3 WB)

ENGINE

ED1 = Engine - 2.4L 4 Cyl
DOHC 16v SMPI
EKG = Engine - 3.7L V6
ENJ = Engine -2.5L 4 Cyl 16V
Turbo Diesel
ENR = Engine - 2.8L 4 Cyl
Turbo Diesel
ENO = 4Cyl Turbo Diesel
EKO = All 3.7L
EDO = All 2.4L

TRANSMISSION

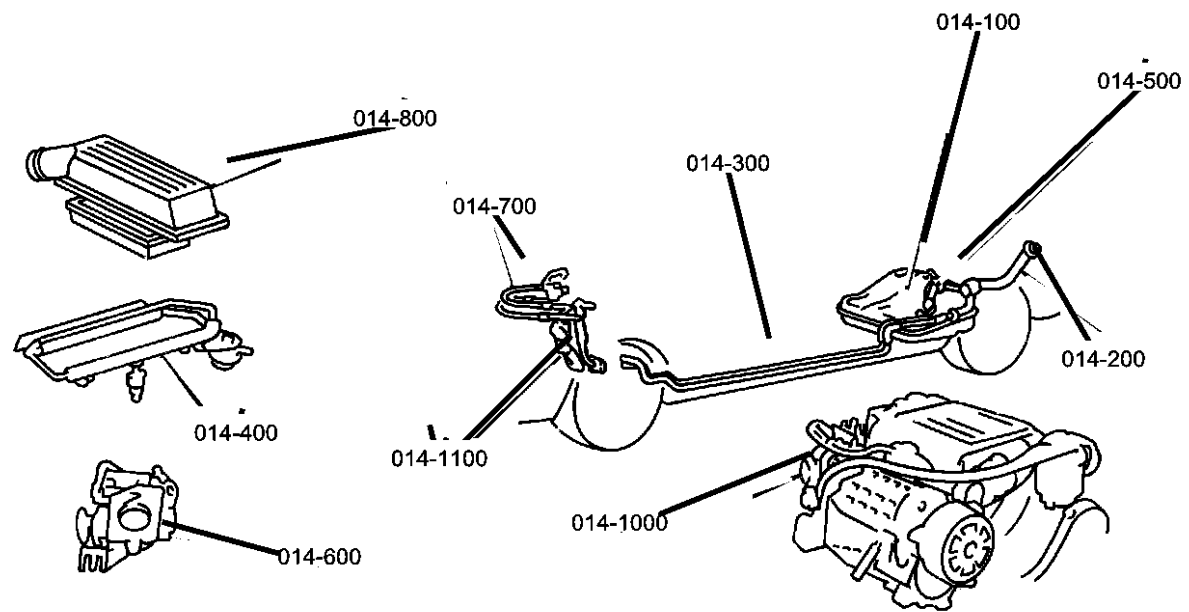
DDD = Transmission - 5-Speed HD
Manual
DDK = Transmission - 5-Speed HD
Manual
DG4 = Transmission-Multi-Speed
Auto, 45RFE
DG6 = Transmission-4-Spd.
Automatic, 42RLE
DGQ = Transmission-5-Spd Automatic
5-45RFE
DBB = All Manual Transmissions
DG0 = All Automatic Transmissions

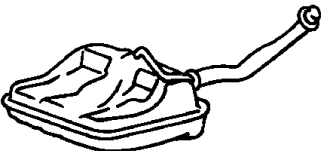
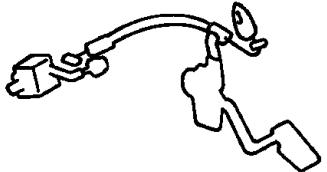

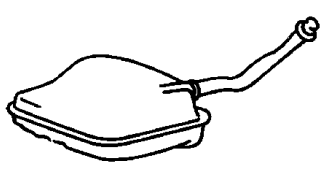
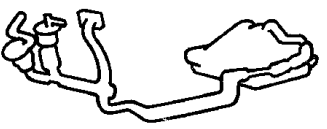
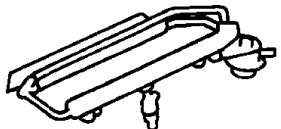
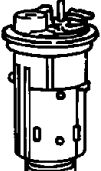

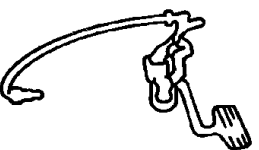
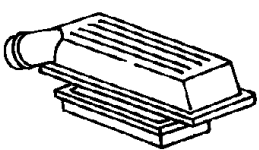
AR = use ase required - = Non illustrated part

2004 KJ

Group - 14

Fuel

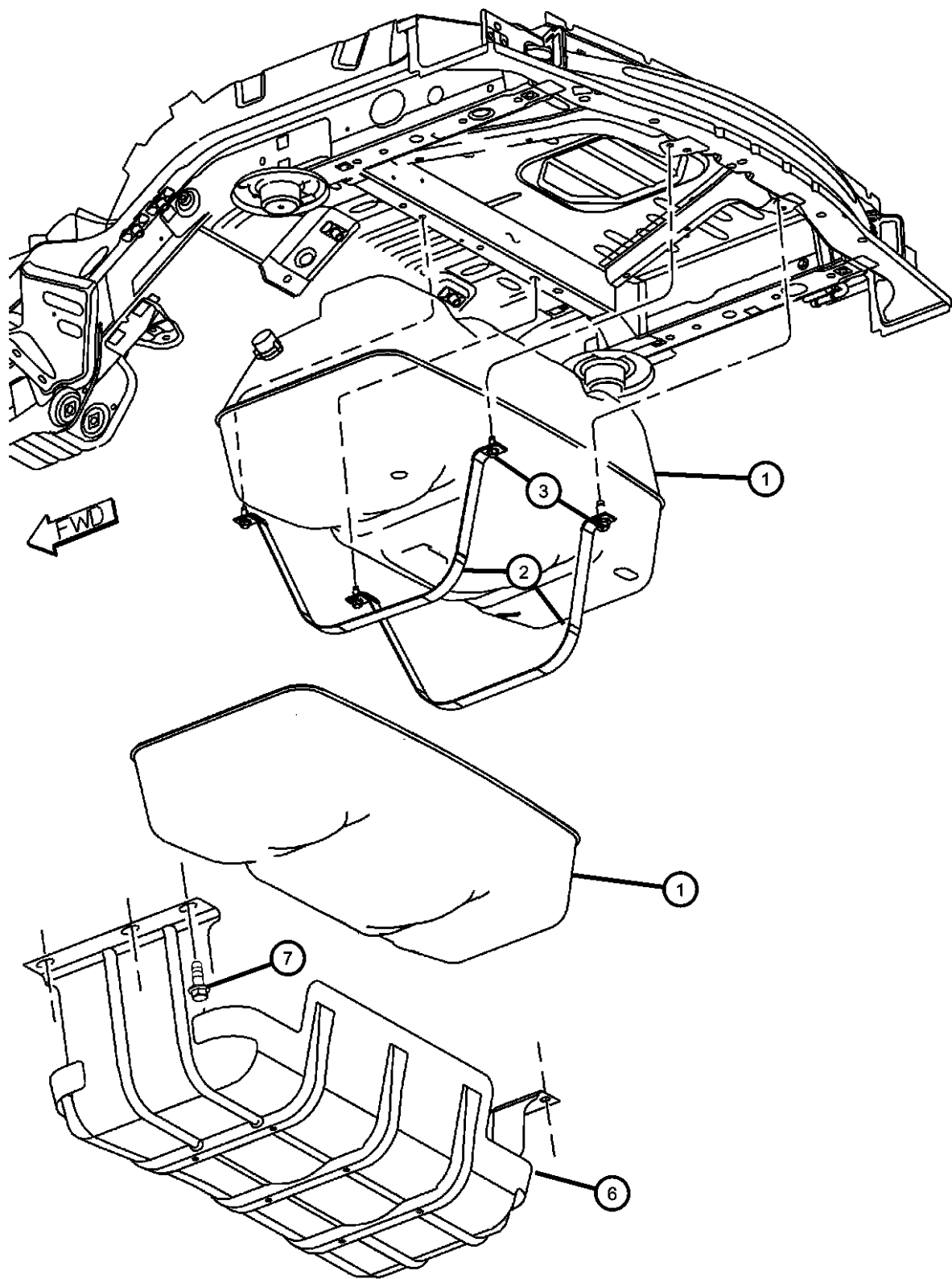


014-100 Tank, Fuel 	014-1000 Speed Control 	014-1100 Accelerator Pedal 	014-200 Fuel Tank Filler Tube 
014-300 Fuel Lines 	014-400 Fuel Rail 	014-500 Fuel Pump and Sending Unit 	014-600 Throttle Body 
014-700 Throttle Controls 	014-800 Air Cleaner 		

Group - 14 Fuel

Illustration Title	Group-Fig. No.
Tank, Fuel	
Tank, Fuel, All Engines	Fig. 14 - 110
Fuel Tank Filler Tube	
Fuel Tank Filler Tube, All Engines	Fig. 14 - 210
Fuel Lines	
Fuel Lines Front, 2.4L [ED1]	Fig. 14 - 310
Fuel Lines Rear, 2.4L [ED1]	Fig. 14 - 315
Fuel Lines Front, 3.7L [EKG]	Fig. 14 - 320
Fuel Lines Rear, 3.7L [EKG]	Fig. 14 - 325
Fuel Lines Front 2.8L [EN0]	Fig. 14 - 330
Fuel Lines Chassis 2.8L [EN0]	Fig. 14 - 335
Fuel Filter And Water Separator, 2.8L [EN0]	Fig. 14 - 340
Fuel Rail	
Fuel Rail 2.8L [EN0]	Fig. 14 - 405
Fuel Rail, 2.4L [ED0]	Fig. 14 - 410
Fuel Rail, 3.7L [EK0]	Fig. 14 - 415
Fuel Injection System 2.8L [EN0]	Fig. 14 - 420
Fuel Injection Pump 2.8L [EN0]	Fig. 14 - 430
Fuel Injection Pump Mounting	Fig. 14 - 435
Fuel Pump and Sending Unit	
Fuel Pump and Sending Unit, 2.4L [ED0], 3.7L [EK0], 2.8L [EN0]	Fig. 14 - 510
Throttle Body	
Throttle Body, [2.4L ED0, 3.7L EK0]	Fig. 14 - 610
Turbocharger 2.8L [EN0]	Fig. 14 - 620
Throttle Controls	
Throttle Controls, 2.4L [ED0]	Fig. 14 - 710
Throttle Controls, 3.7L [EKG]	Fig. 14 - 720
Throttle Controls, 2.8L [EN0]	Fig. 14 - 730
Air Cleaner	
Air Cleaner, 2.4L [ED1]	Fig. 14 - 810
Air Cleaner, 3.7L [EKG]	Fig. 14 - 820
Air Cleaner, 2.8L [EN0]	Fig. 14 - 830
Speed Control	
Speed Control	Fig. 14 - 1010
Accelerator Pedal	
Accelerator Pedal	Fig. 14 - 1110

Tank, Fuel, All Engines
Figure 14-110



ITEM	PART NUMBER	QTY	LINE	SERIES	BODY	ENGINE	TRANS	TRIM	DESCRIPTION
Note; Sales Codes [ED0]= All 2.2L,2.5L,2.4L, 4 Cylinder Gas Engines [EK0]= All 3.7L 6 Cylinder Gas Engines [EN0]= All 4/5 Cylinder Turbo Diesels [XEE]=Skid Plate Shield, Fuel Tank									
1									TANK, Fuel
	52128620AD	1				ED0, EK0			
	52128621AB	1				EN0			
2	52100334AE	2							STRAP, Fuel Tank
3	06503183	4							SCREW, Hex Head, M10x1.5x30
-4									SHIELD, Heat
	05072731AA	1				EN0	DG0		
	55360343AA	1				ED0, EK0			
-5	52100525AA	4				ED0, EK0			NUT, Heat Shield Attach
6	52100332AF	1							PLATE, Skid, [XEE]
7	06502557	6							BOLT, Hex Flange Head, M12x1.75x40
-8	52128698AA	1				EN0			FILTER, Fuel
-9	06505775AA	2				EN0			CLAMP, Hose
-10	52100469AD	1				EN0			HOSE, Fuel Vapor

LIBERTY (KJ)

SERIES

P = Limited
H = Sport
M = Renegade

LINE

J = LHD (4WD)
U = RHD (4WD)
T = LHD (2WD)

BODY

74 = 4 Door (104.3 WB)

ENGINE

ED1 = Engine - 2.4L 4 Cyl
DOHC 16v SMPI
EK0 = Engine - 3.7L V6
ENJ = Engine -2.5L 4 Cyl 16V
Turbo Diesel
ENR = Engine - 2.8L 4 Cyl
Turbo Diesel
EN0 = 4Cyl Turbo Diesel
EK0 = All 3.7L
ED0 = All 2.4L

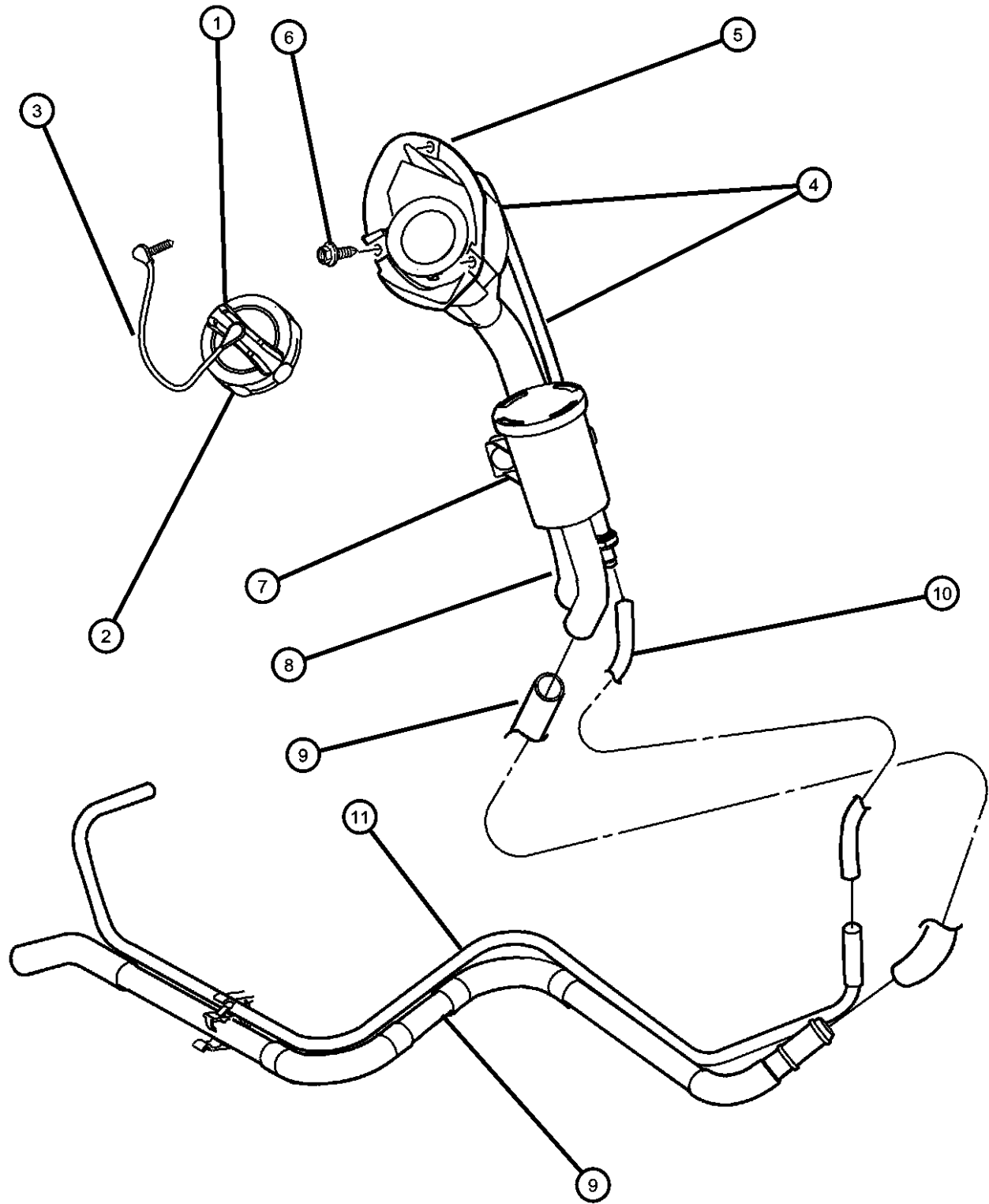
TRANSMISSION

DDD = Transmission - 5-Speed HD
Manual
DDK = Transmission - 5-Speed HD
Manual
DG4 = Transmission-Multi-Speed
Auto, 45RFE
DG6 = Transmission-4-Spd.
Automatic, 42RLE
DGQ = Transmission-5-Spd Automatic
5-45RFE
DBB = All Manual Transmissions
DG0 = All Automatic Transmissions

AR = use ase required - = Non illustrated part

2004 KJ

Fuel Tank Filler Tube, All Engines
Figure 14-210



ITEM	PART NUMBER	QTY	LINE	SERIES	BODY	ENGINE	TRANS	TRIM	DESCRIPTION
Note; Sales Codes [ED0]= All 2.4L, 4 Cylinder Gas Engines [EK0]= All 3.7L 6 Cylinder Gas Engines [EN0]= All 2.5L Turbo Diesels									
1	52102464AB	1							CAP, Fuel Filler
2	05015636AB	1							CAP KIT, Fuel Tank Locking
3	04682676	1							TETHER, Fuel Filler Cap
4									TUBE, Fuel Filler
	52128640AB	1				ED0, EK0			
	52128641AC	1				EN0			
5	55360619AB	1							SLEEVE, Fuel Filler
6	06035204	3							SCREW, Tapping, .19-16x.75
7	04612901	1				ED0, EK0			FILTER, Fuel Vapor Vent
8									HOSE, Fuel Filler
	52128753AA	1				ED0, EK0			
		1				EN0			
9		1							TUBE, Fuel, Serviced With Fuel Flow Valve, (NOT SERVICED)
10	52128631AC	1				ED0, EK0			TUBE, Vapor
11	52128699AC	1				ED0, EK0			TUBE, Fuel Vapor Recirculation
-12	52128645AA	1	J, T, U		74	ED0, EK0			TUBE, Clean Air

LIBERTY (KJ)

SERIES

P = Limited
 H = Sport
 M = Renegade

LINE

J = LHD (4WD)
 U = RHD (4WD)
 T = LHD (2WD)

BODY

74 = 4 Door (104.3 WB)

ENGINE

ED1 = Engine - 2.4L 4 Cyl DOHC 16v SMPI
 EKG = Engine - 3.7L V6
 ENJ = Engine -2.5L 4 Cyl 16v Turbo Diesel
 ENR = Engine - 2.8L 4 Cyl Turbo Diesel
 EN0 = 4Cyl Turbo Diesel
 EK0 = All 3.7L
 ED0 = All 2.4L

TRANSMISSION

DDD = Transmission - 5-Speed HD Manual
 DDK = Transmission - 5-Speed HD Manual
 DG4 = Transmission-Multi-Speed Auto, 45RFE
 DG6 = Transmission-4-Spd. Automatic, 42RLE
 DGQ = Transmission-5-Spd Automatic 5-45RFE
 DBB = All Manual Transmissions
 DG0 = All Automatic Transmissions

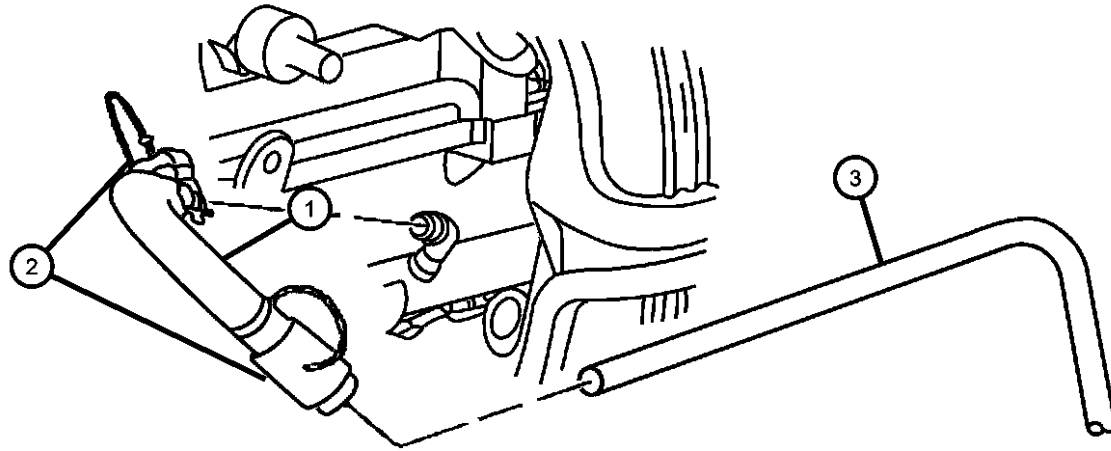
AR = use ase required - = Non illustrated part

Fuel Lines Front, 2.4L [ED1]
Figure 14-310

ITEM	PART NUMBER	QTY	LINE	SERIES	BODY	ENGINE	TRANS	TRIM	DESCRIPTION
------	-------------	-----	------	--------	------	--------	-------	------	-------------

Note; Sales Codes
[ED0]= All 2.2L,2.5L,2.4L, 4 Cylinder Gas Engines

1	52100352AB	1				ED0			BUNDLE, Fuel Line
2	52127788	2				ED0			CLIP, Fuel Line
3	52127788	2							TUBE, Fuel, Serviced In Chassis Bundle, (NOT SERVICED)



LIBERTY (KJ)

SERIES LINE
P = Limited J = LHD (4WD)
H = Sport U = RHD (4WD)
M = Renegade T = LHD (2WD)

BODY
74 = 4 Door (104.3 WB)

ENGINE
ED1 = Engine - 2.4L 4 Cyl DOHC 16v SMPI
EKG = Engine - 3.7L V6
ENJ = Engine -2.5L 4 Cyl 16V Turbo Diesel
ENR = Engine - 2.8L 4 Cyl Turbo Diesel
ENO = 4Cyl Turbo Diesel
EKO = All 3.7L
ED0 = All 2.4L

TRANSMISSION
DDD = Transmission - 5-Speed HD Manual
DDK = Transmission - 5-Speed HD Manual
DG4 = Transmission-Multi-Speed Auto, 45RFE
DG6 = Transmission-4-Spd. Automatic, 42RLE
DGQ = Transmission-5-Spd Automatic 5-45RFE
DBB = All Manual Transmissions
DG0 = All Automatic Transmissions

AR = use ase required - = Non illustrated part

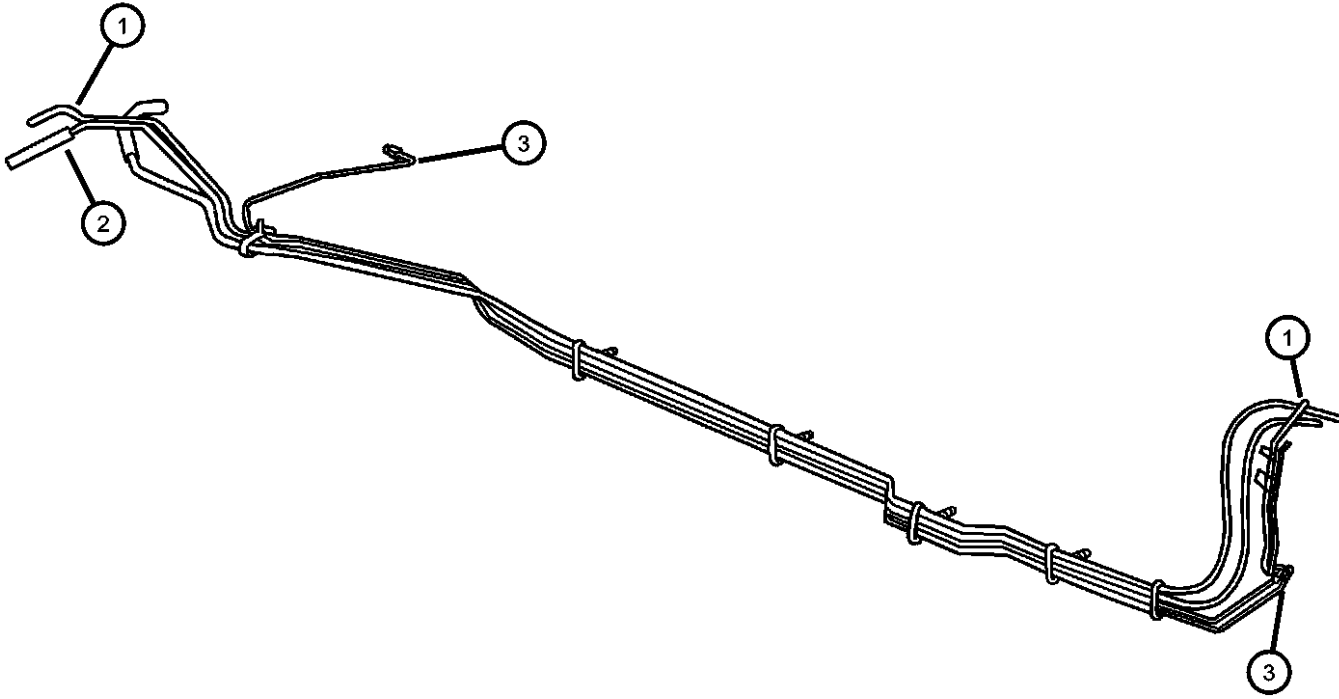
2004 KJ

Fuel Lines Rear, 2.4L [ED1]
Figure 14-315

ITEM	PART NUMBER	QTY	LINE	SERIES	BODY	ENGINE	TRANS	TRIM	DESCRIPTION
------	-------------	-----	------	--------	------	--------	-------	------	-------------

Note; Sales Codes
[ED0]= All 2.2 I,2.5L, 2.4L, 4 Cylinde Gas Engines
[EK0]= All 3.7L 6 Cylinder Gas Engines

1									TUBE, Fuel Supply
	05103500AA	1				ED0, EK0			
	52128701AC	1				ED0, EK0			For fuel tank
2	52128637AB	1				ED0, EK0			TUBE, Fuel Vapor
3	52128637AB	1							TUBE, Brake, See Brake Group, (NOT SERVICED)
-4									CLIP, 4 Way, Fuel Bundle
	05103501AA	3				ED0, EK0			
	05103502AA	2				ED0, EK0			
	05103503AA	1				ED0, EK0			
-5	05103504AA	1				ED0, EK0			CLIP, 2 Way, Fuel Bundle



LIBERTY (KJ)

SERIES LINE
P = Limited J = LHD (4WD)
H = Sport U = RHD (4WD)
M = Renegade T = LHD (2WD)

BODY
74 = 4 Door (104.3 WB)

ENGINE
ED1 = Engine - 2.4L 4 Cyl
DOHC 16v SMPI
EKG = Engine - 3.7L V6
ENJ = Engine -2.5L 4 Cyl 16V
Turbo Diesel
ENR = Engine - 2.8L 4 Cyl
Turbo Diesel
ENO = 4Cyl Turbo Diesel
EK0 = All 3.7L
ED0 = All 2.4L

TRANSMISSION
DDD = Transmission - 5-Speed HD
Manual
DDK = Transmission - 5-Speed HD
Manual
DG4 = Transmission-Multi-Speed
Auto, 45RFE
DG6 = Transmission-4-Spd.
Automatic, 42RLE
DGQ = Transmission-5-Spd Automatic
5-45RFE
DBB = All Manual Transmissions
DG0 = All Automatic Transmissions

AR = use ase required - = Non illustrated part

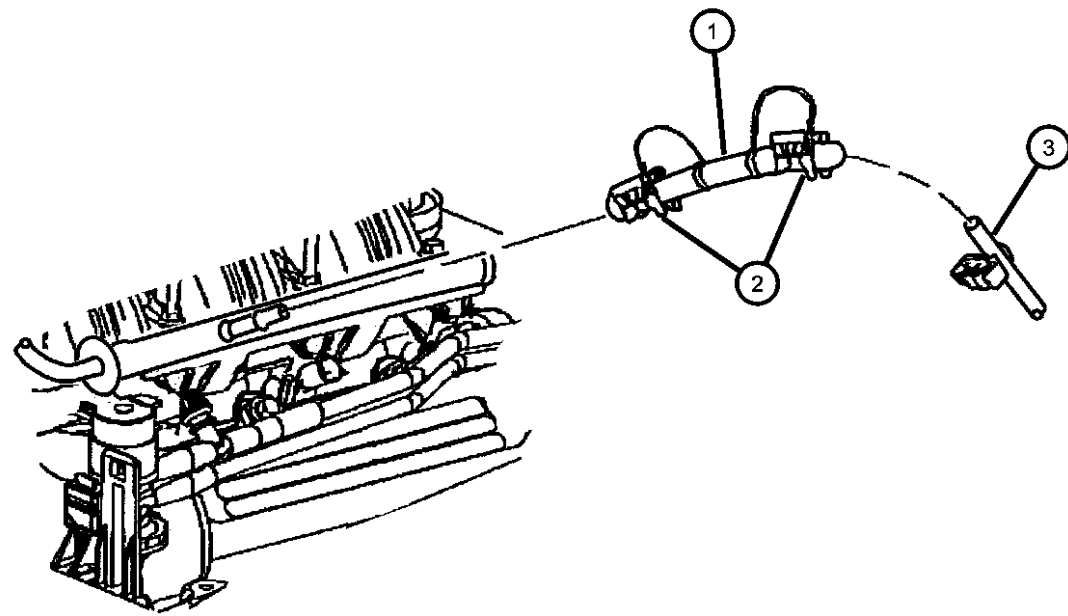
2004 KJ

**Fuel Lines Front, 3.7L [EKG]
Figure 14-320**

ITEM	PART NUMBER	QTY	LINE	SERIES	BODY	ENGINE	TRANS	TRIM	DESCRIPTION
------	-------------	-----	------	--------	------	--------	-------	------	-------------

Note; Sales Codes
[EK0]= All 3.7L 6 Cylinder Gas Engines

1	52100320AB	1				EK0			BUNDLE, Fuel Line
2	52127788	2				EK0			CLIP, Fuel Line
3	52127788	2							BUNDLE, Fuel Line, Reference, See Rear Fuel Lines, (NOT SERVICED)
-4	52128701AB	1				ED0, EK0			TUBE, Fuel Supply



LIBERTY (KJ)

SERIES	LINE
P = Limited	J = LHD (4WD)
H = Sport	U = RHD (4WD)
M = Renegade	T = LHD (2WD)

BODY
74 = 4 Door (104.3 WB)

ENGINE	TRANSMISSION
ED1 = Engine - 2.4L 4 Cyl DOHC 16v SMPI	DDD = Transmission - 5-Speed HD Manual
EKG = Engine - 3.7L V6	DDK = Transmission - 5-Speed HD Manual
ENJ = Engine -2.5L 4 Cyl 16V Turbo Diesel	DG4 = Transmission-Multi-Speed Auto, 45RFE
ENR = Engine - 2.8L 4 Cyl Turbo Diesel	DG6 = Transmission-4-Spd. Automatic, 42RLE
ENO = 4Cyl Turbo Diesel	DGQ = Transmission-5-Spd Automatic 5-45RFE
EK0 = All 3.7L	DBB = All Manual Transmissions
ED0 = All 2.4L	DG0 = All Automatic Transmissions

AR = use ase required - = Non illustrated part

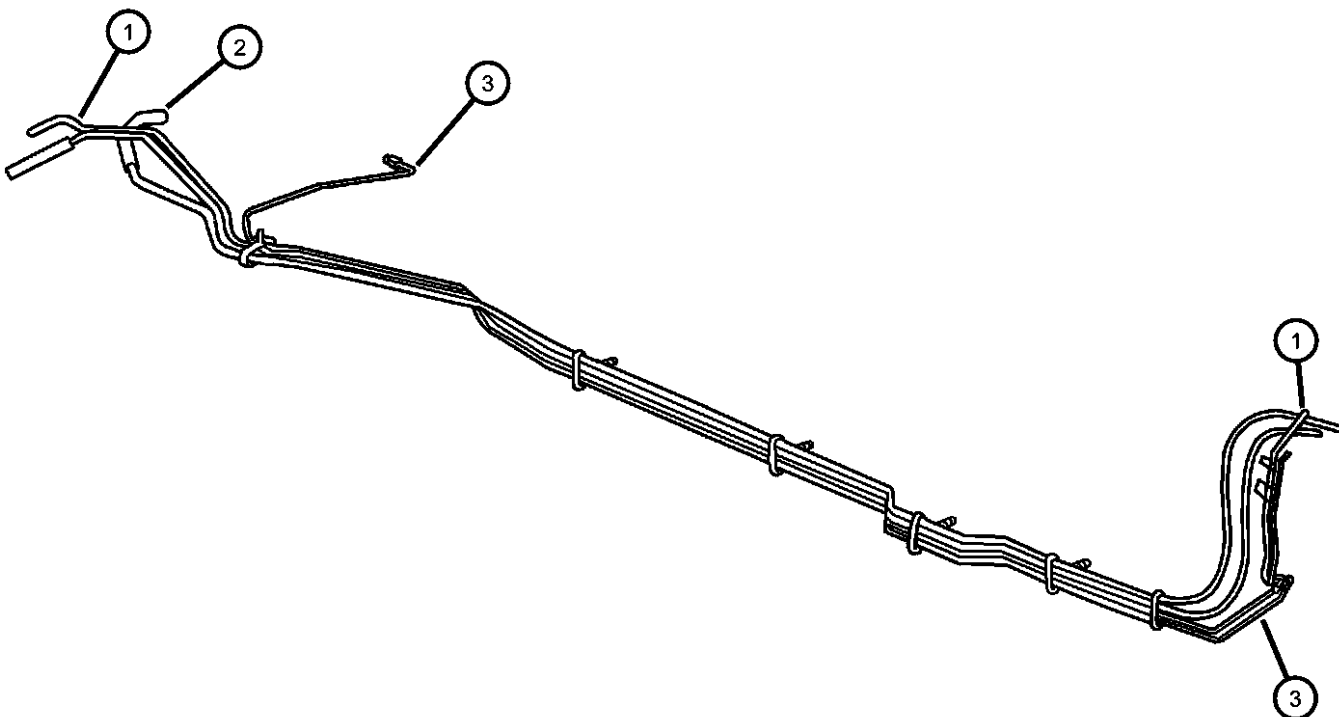
2004 KJ

**Fuel Lines Rear, 3.7L [EKG]
Figure 14-325**

ITEM	PART NUMBER	QTY	LINE	SERIES	BODY	ENGINE	TRANS	TRIM	DESCRIPTION
------	-------------	-----	------	--------	------	--------	-------	------	-------------

Note; Sales Codes
 [ED0]= All 2.2L, 2.5L, 2.4L, 4 Cylinder Gas Engines
 [EK0]= All 3.7L 6 Cylinder Gas Engines

1									TUBE, Fuel Supply
	05103500AA	1				ED0, EK0			Chassis Gas
	52128701AC	1				ED0, EK0			For Fuel Tank
2									TUBE, Fuel Vapor
	52128637AB	1				ED0, EK0			Chassis Gas
	52128700AB	1				ED0, EK0			Fuel Tank
3	52128700AB	1							TUBE, Brake, See Brake Group, (NOT SERVICED), CLIP, 4 Way, Fuel Bundle
-4									
	05103501AA	3				ED0, EK0			
	05103502AA	2				ED0, EK0			
	05103503AA	1				ED0, EK0			
-5	05103504AA	1				ED0, EK0			CLIP, 2 Way, Fuel Bundle
-6	52128699AC	1				ED0, EK0			TUBE, Fuel Vapor Recirculation



LIBERTY (KJ)

SERIES	LINE
P = Limited	J = LHD (4WD)
H = Sport	U = RHD (4WD)
M = Renegade	T = LHD (2WD)

BODY
 74 = 4 Door (104.3 WB)

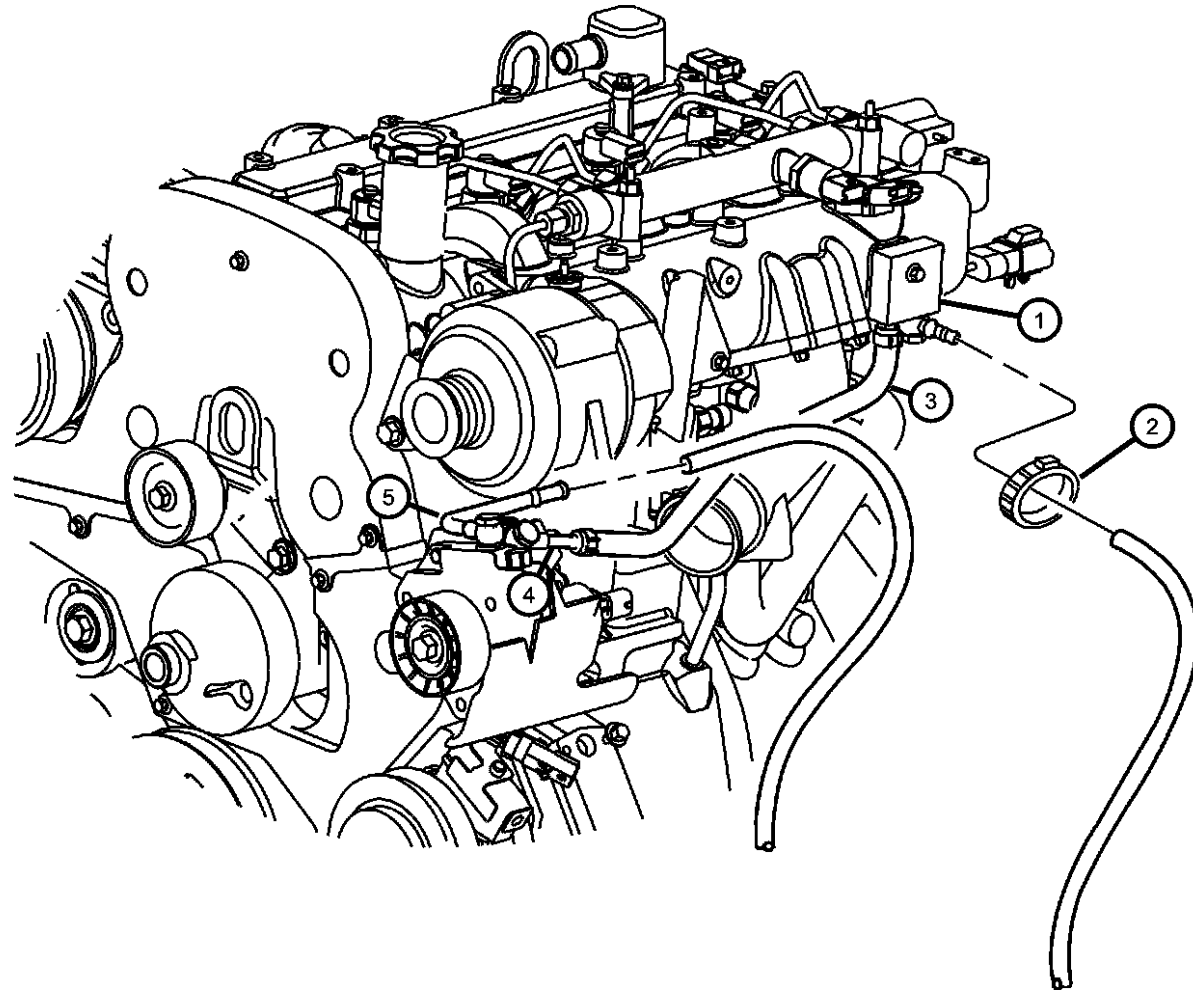
ENGINE
 ED1 = Engine - 2.4L 4 Cyl
 DOHC 16v SMPI
 EKG = Engine - 3.7L V6
 ENJ = Engine -2.5L 4 Cyl 16V
 Turbo Diesel
 ENR = Engine - 2.8L 4 Cyl
 Turbo Diesel
 ENO = 4Cyl Turbo Diesel
 EK0 = All 3.7L
 ED0 = All 2.4L

TRANSMISSION
 DDD = Transmission - 5-Speed HD
 Manual
 DDK = Transmission - 5-Speed HD
 Manual
 DG4 = Transmission-Multi-Speed
 Auto, 45RFE
 DG6 = Transmission-4-Spd.
 Automatic, 42RLE
 DGQ = Transmission-5-Spd Automatic
 5-45RFE
 DBB = All Manual Transmissions
 DG0 = All Automatic Transmissions

AR = use ase required - = Non illustrated part

2004 KJ

Fuel Lines Front 2.8L [EN0]
Figure 14-330



ITEM	PART NUMBER	QTY	LINE	SERIES	BODY	ENGINE	TRANS	TRIM	DESCRIPTION
									Note; Sales Codes [DBB]= All Manual Transmissions [EN0]= All 2.8L 4 Cylinder Turbo Diesels
1	05072743AA	1				EN0	DG0		BLOCK, Fuel Return
		1				EN0	DBB		
2	06505775AA	1				EN0			CLAMP, Hose
3	05072725AB	1				EN0	DG0		HOSE, Fuel
		1				EN0	DBB		
4	05072723AB	1				EN0	DG0		BANJO, Fuel
		1				EN0	DBB		
5	05072721AA	1				EN0	DG0		BANJO, Fuel
		1				EN0	DBB		
-6	05103506AB	1				EN0			TUBE, Fuel Return
-7	05103505AA	1				EN0			TUBE, Fuel Supply

LIBERTY (KJ)

SERIES	LINE	BODY	ENGINE	TRANSMISSION
P = Limited	J = LHD (4WD)	74 = 4 Door (104.3 WB)	ED1 = Engine - 2.4L 4 Cyl DOHC 16v SMPI	DDD = Transmission - 5-Speed HD Manual
H = Sport	U = RHD (4WD)		EKG = Engine - 3.7L V6	DDK = Transmission - 5-Speed HD Manual
M = Renegade	T = LHD (2WD)		ENJ = Engine -2.5L 4 Cyl 16V Turbo Diesel	DG4 = Transmission-Multi-Speed Auto, 45RFE
			ENR = Engine - 2.8L 4 Cyl Turbo Diesel	DG6 = Transmission-4-Spd. Automatic, 42RLE
			EN0 = 4Cyl Turbo Diesel	DGQ = Transmission-5-Spd Automatic 5-45RFE
			EK0 = All 3.7L	DBB = All Manual Transmissions
			ED0 = All 2.4L	DG0 = All Automatic Transmissions

AR = use ase required - = Non illustrated part

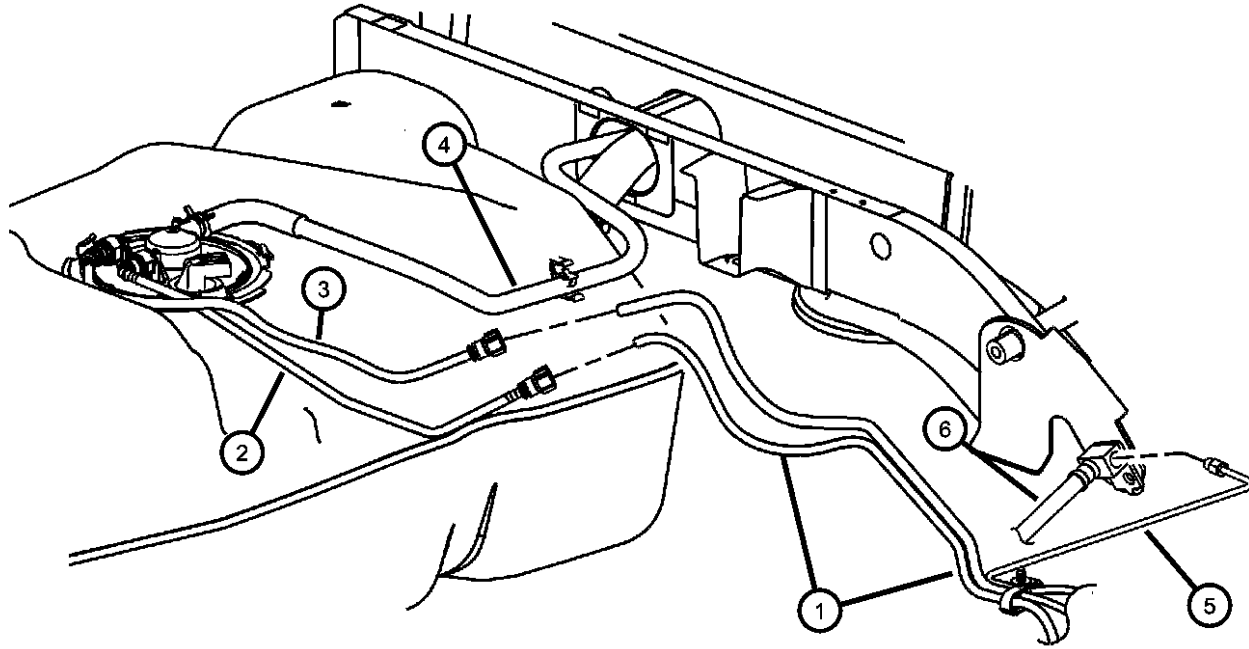
2004 KJ

**Fuel Lines Chassis 2.8L [EN0]
Figure 14-335**

ITEM	PART NUMBER	QTY	LINE	SERIES	BODY	ENGINE	TRANS	TRIM	DESCRIPTION
------	-------------	-----	------	--------	------	--------	-------	------	-------------

Note; Sales Codes
[EN0]= All 2.8L 4 Cylinder Turbo Diesels

1	52128636AC	1				EN0			TUBE, Brake
2	52100323AC	1				EN0			TUBE, Fuel Supply, Tank
3	52100324AC	1				EN0			TUBE, Fuel Supply
4	52100469AD	1				EN0			HOSE, Fuel Vapor
5	52100469AD	1							TUBE, Brake, Serviced In Item 1, (NOT SERVICED)
6	52100469AD	1							HOSE, Brake, See Catalog Group 5, (NOT SERVICED)



LIBERTY (KJ)

SERIES	LINE
P = Limited	J = LHD (4WD)
H = Sport	U = RHD (4WD)
M = Renegade	T = LHD (2WD)

BODY
74 = 4 Door (104.3 WB)

ENGINE
ED1 = Engine - 2.4L 4 Cyl
DOHC 16v SMPI
EKG = Engine - 3.7L V6
ENJ = Engine -2.5L 4 Cyl 16V
Turbo Diesel
ENR = Engine - 2.8L 4 Cyl
Turbo Diesel
EN0 = 4Cyl Turbo Diesel
EK0 = All 3.7L
ED0 = All 2.4L

TRANSMISSION
DDD = Transmission - 5-Speed HD
Manual
DDK = Transmission - 5-Speed HD
Manual
DG4 = Transmission-Multi-Speed
Auto, 45RFE
DG6 = Transmission-4-Spd.
Automatic, 42RLE
DGQ = Transmission-5-Spd Automatic
5-45RFE
DBB = All Manual Transmissions
DG0 = All Automatic Transmissions

AR = use ase required - = Non illustrated part

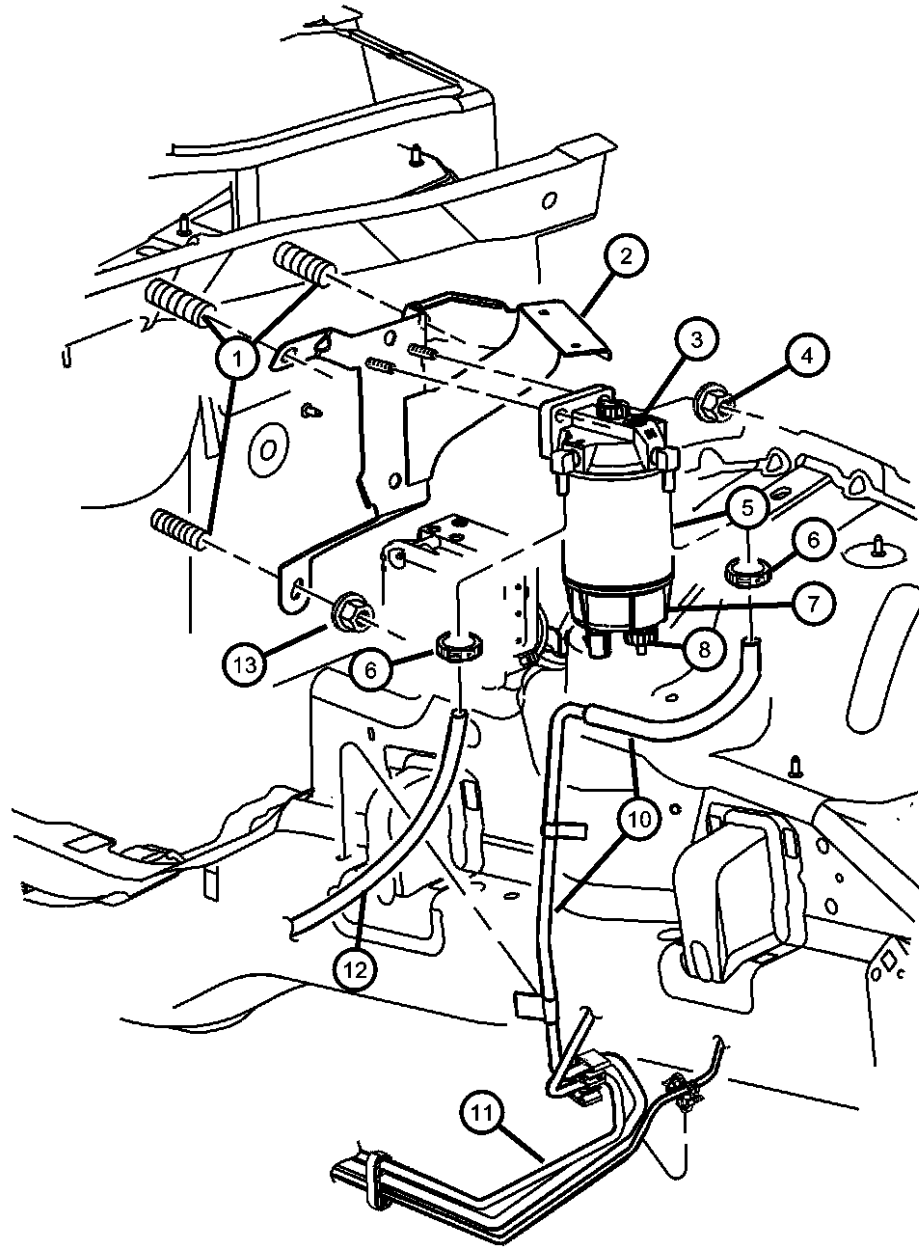
2004 KJ

**Fuel Filter And Water Separator, 2.8L [EN0]
Figure 14-340**

ITEM	PART NUMBER	QTY	LINE	SERIES	BODY	ENGINE	TRANS	TRIM	DESCRIPTION
------	-------------	-----	------	--------	------	--------	-------	------	-------------

Note; Sales Codes
[EN0]= All 2.8L 4 Cylinder Turbo Diesels

1	52100469AD	1							STUD, (NOT SERVICED)
2	53013304AC	1				EN0			BRACKET, Fuel Filter
3	05069072AA	1				EN0			HEAD, Fuel Filter
4	06502756	2				EN0			NUT, Hex Lock, M8x1.25
5	52128698AA	1				EN0			FILTER, Fuel
6	06505775AA	2				EN0			CLAMP, Hose
7	05014018AA	1				EN0			BOWL, Fuel Filter
8	04723907	1				EN0			DRAIN, Fuel Filter Bowl
-9	04723901	1				EN0			VALVE KIT, Fuel Filter Check
10	05103505AB	1				EN0			TUBE, Fuel Supply
11	05103506AB	1				EN0			TUBE, Fuel Return
12	52100325AC	1				EN0			HOSE, Fuel
13	52100325AC	1							NUT, (NOT SERVICED)
-14									HEATER
	05066555AA	1			U				
		1			J, T				



LIBERTY (KJ)

SERIES	LINE
P = Limited	J = LHD (4WD)
H = Sport	U = RHD (4WD)
M = Renegade	T = LHD (2WD)

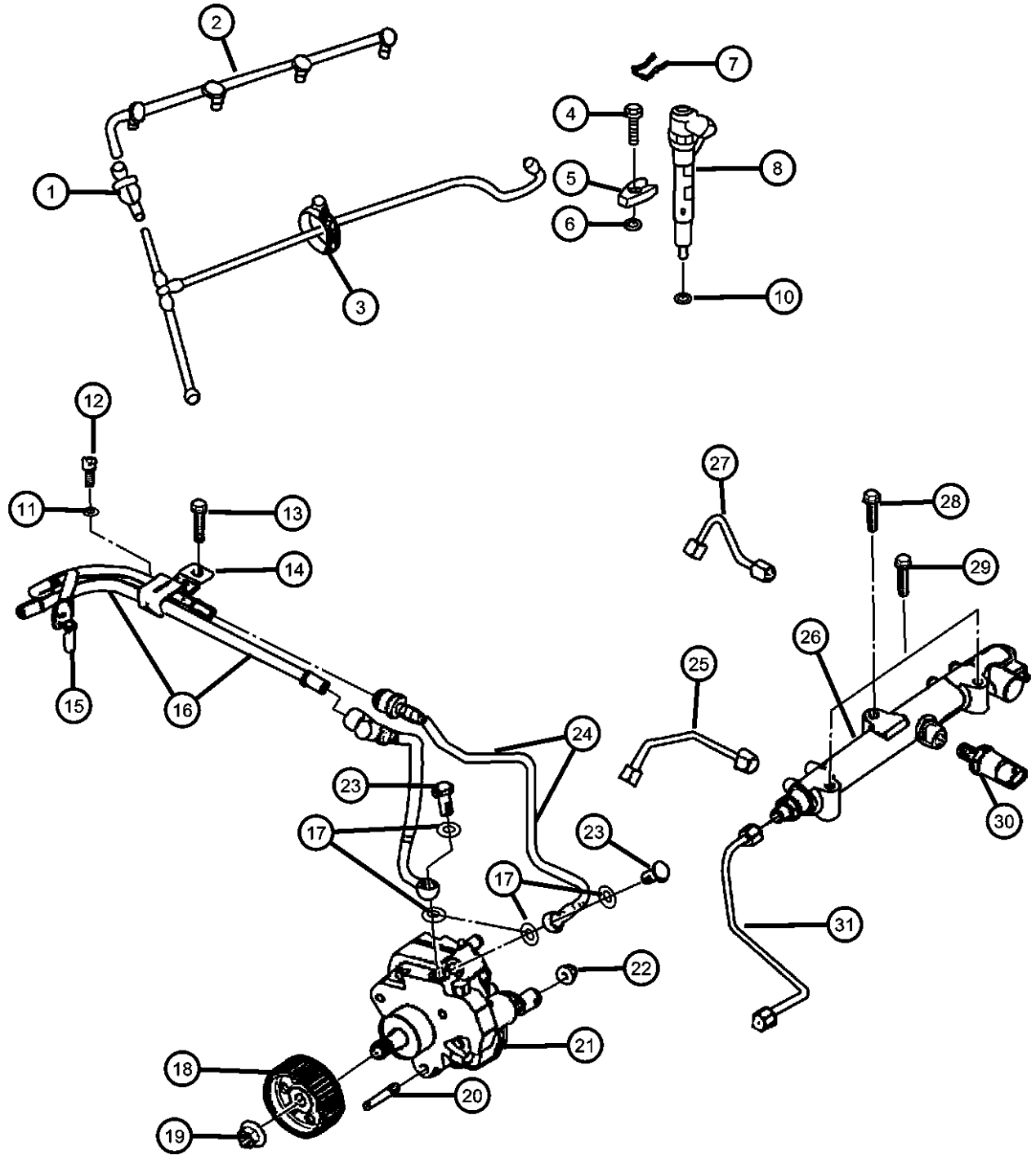
BODY
74 = 4 Door (104.3 WB)

ENGINE	TRANSMISSION
ED1 = Engine - 2.4L 4 Cyl DOHC 16v SMPI	DDD = Transmission - 5-Speed HD Manual
EKG = Engine - 3.7L V6	DDK = Transmission - 5-Speed HD Manual
ENJ = Engine -2.5L 4 Cyl 16V Turbo Diesel	DG4 = Transmission-Multi-Speed Auto, 45RFE
ENR = Engine - 2.8L 4 Cyl Turbo Diesel	DG6 = Transmission-4-Spd. Automatic, 42RLE
EN0 = 4Cyl Turbo Diesel	DGQ = Transmission-5-Spd Automatic 5-45RFE
EK0 = All 3.7L	DBB = All Manual Transmissions
ED0 = All 2.4L	DG0 = All Automatic Transmissions

AR = use ase required - = Non illustrated part

2004 KJ

Fuel Rail 2.8L [EN0]
Figure 14-405



ITEM	PART NUMBER	QTY	LINE	SERIES	BODY	ENGINE	TRANS	TRIM	DESCRIPTION
11									WASHER, Implement Attaching
	04723204	1				EN0	DBB		
		1				EN0	DG0		
12									BOLT, M6x10
	05003551AA	8				EN0	DBB		
		2				EN0	DG0		
13									BOLT, 8Mx20
	04864537	1				EN0	DBB		
		1				EN0	DG0		
14	05069102AB	1	J, T, U		74	EN0	DG0		BRACKET, Damper
15	05083704AA	1	J, T, U		74	EN0	DBB		BRACKET
16	05072255AB	1	J, T, U		74	EN0	DG0		TUBE, Fuel Delivery
17									WASHER, Plain
	04720703	6				EN0	DBB		
		6				EN0	DG0		
18									GEAR, Injection Pump
	05066903AA	1				EN0	DBB		
		1				EN0	DG0		
19									NUT
	05066817AA	1				EN0	DBB		
		1				EN0	DG0		
20									STUD, Injection Pump
	05066908AA	3				EN0	DBB		
		3				EN0	DG0		
21									PUMP, Fuel Injection
	05066819AB	1				EN0	DBB		
		1				EN0	DG0		
22									NUT
	04778961	4				EN0	DG0		
		4				EN0	DBB		

LIBERTY (KJ)

SERIES LINE
P = Limited J = LHD (4WD)
H = Sport U = RHD (4WD)
M = Renegade T = LHD (2WD)

BODY
74 = 4 Door (104.3 WB)

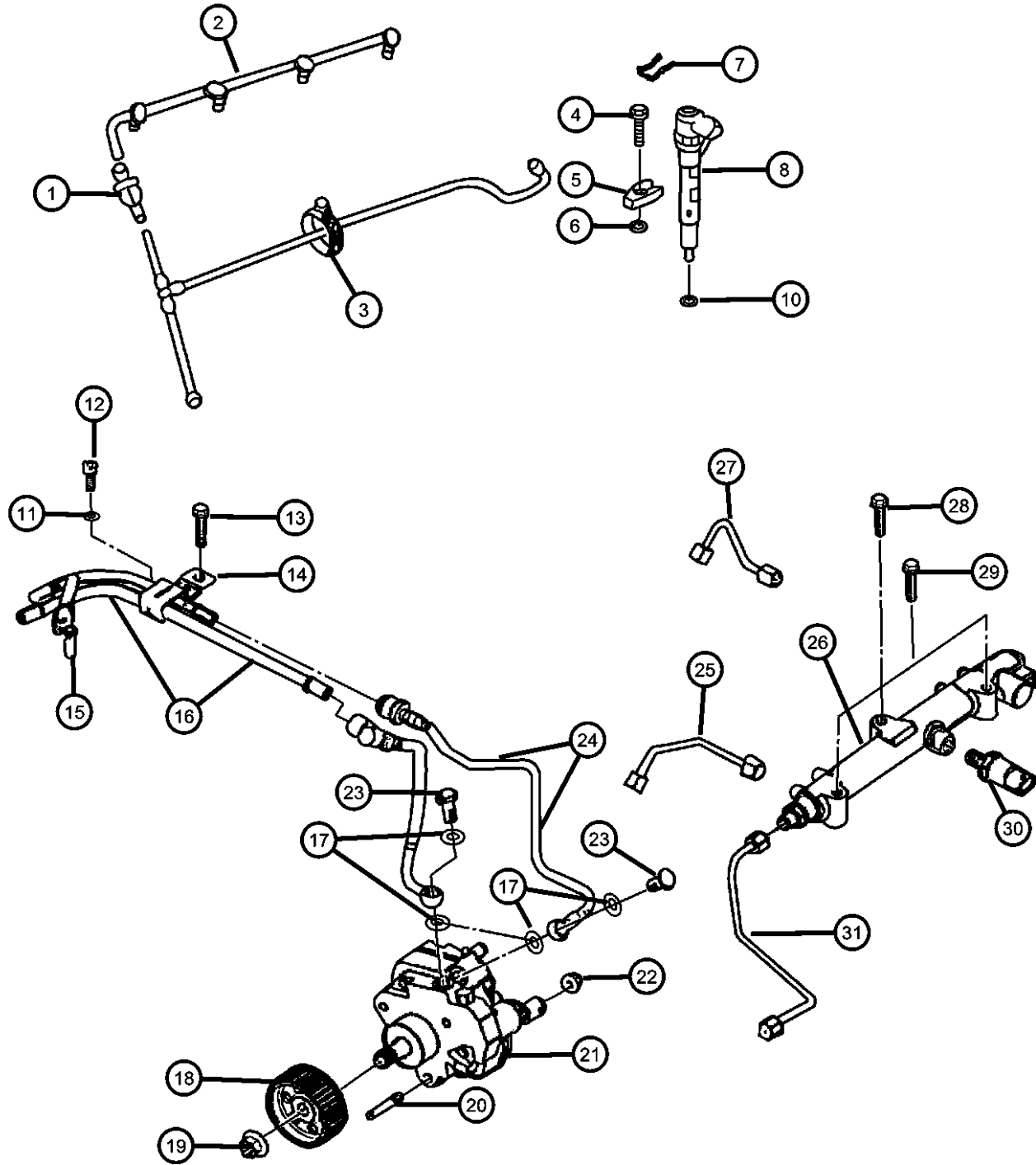
ENGINE
ED1 = Engine - 2.4L 4 Cyl
DOHC 16v SMPI
EKG = Engine - 3.7L V6
ENJ = Engine -2.5L 4 Cyl 16V
Turbo Diesel
ENR = Engine - 2.8L 4 Cyl
Turbo Diesel
EN0 = 4Cyl Turbo Diesel
EKO = All 3.7L
ED0 = All 2.4L

TRANSMISSION
DDD = Transmission - 5-Speed HD
Manual
DDK = Transmission - 5-Speed HD
Manual
DG4 = Transmission-Multi-Speed
Auto, 45RFE
DG6 = Transmission-4-Spd.
Automatic, 42RLE
DGQ = Transmission-5-Spd Automatic
5-45RFE
DBB = All Manual Transmissions
DG0 = All Automatic Transmissions

AR = use ase required - = Non illustrated part

2004 KJ

Fuel Rail 2.8L [EN0]
Figure 14-405



ITEM	PART NUMBER	QTY	LINE	SERIES	BODY	ENGINE	TRANS	TRIM	DESCRIPTION
23	04720367	3				EN0	DBB		BOLT, Banjo
		3				EN0	DG0		
24	05072257AB	1	J, T, U		74	EN0	DG0		TUBE, Fuel Return
25	05066910AB	1				EN0	DBB		TUBE, Fuel Injector Supply
		1				EN0	DG0		
26	05093924AA	1				EN0	DBB		RAIL, Fuel
		1				EN0	DG0		
27	05066909AB	1				EN0	DBB		TUBE, Fuel Injector Supply
		1				EN0	DG0		
28	05015113AA	1				EN0	DG0		BOLT
		1				EN0	DBB		
29	05066913AA	1				EN0	DBB		STUD
		1				EN0	DG0		
30	05072726AA	1				EN0	DBB		SENSOR, Fuel Pressure
		1				EN0	DG0		
31	05066911AA	1				EN0	DBB		TUBE, Fuel Supply from Pump
		1				EN0	DG0		
-32	05083671AA	1				EN0	DBB		VALVE, Flow Control
		1				EN0	DG0		
-33	05086653AA	1	J, T, U		74	EN0	DBB		VALVE, Pressure Regulator

LIBERTY (KJ)

SERIES

P = Limited
H = Sport
M = Renegade

LINE

J = LHD (4WD)
U = RHD (4WD)
T = LHD (2WD)

BODY

74 = 4 Door (104.3 WB)

ENGINE

ED1 = Engine - 2.4L 4 Cyl
DOHC 16v SMPI
EKG = Engine - 3.7L V6
ENJ = Engine -2.5L 4 Cyl 16V
Turbo Diesel
ENR = Engine - 2.8L 4 Cyl
Turbo Diesel
EN0 = 4Cyl Turbo Diesel
EKO = All 3.7L
ED0 = All 2.4L

TRANSMISSION

DDD = Transmission - 5-Speed HD
Manual
DDK = Transmission - 5-Speed HD
Manual
DG4 = Transmission-Multi-Speed
Auto, 45RFE
DG6 = Transmission-4-Spd.
Automatic, 42RLE
DGQ = Transmission-5-Spd Automatic
5-45RFE
DBB = All Manual Transmissions
DG0 = All Automatic Transmissions

AR = use ase required - = Non illustrated part

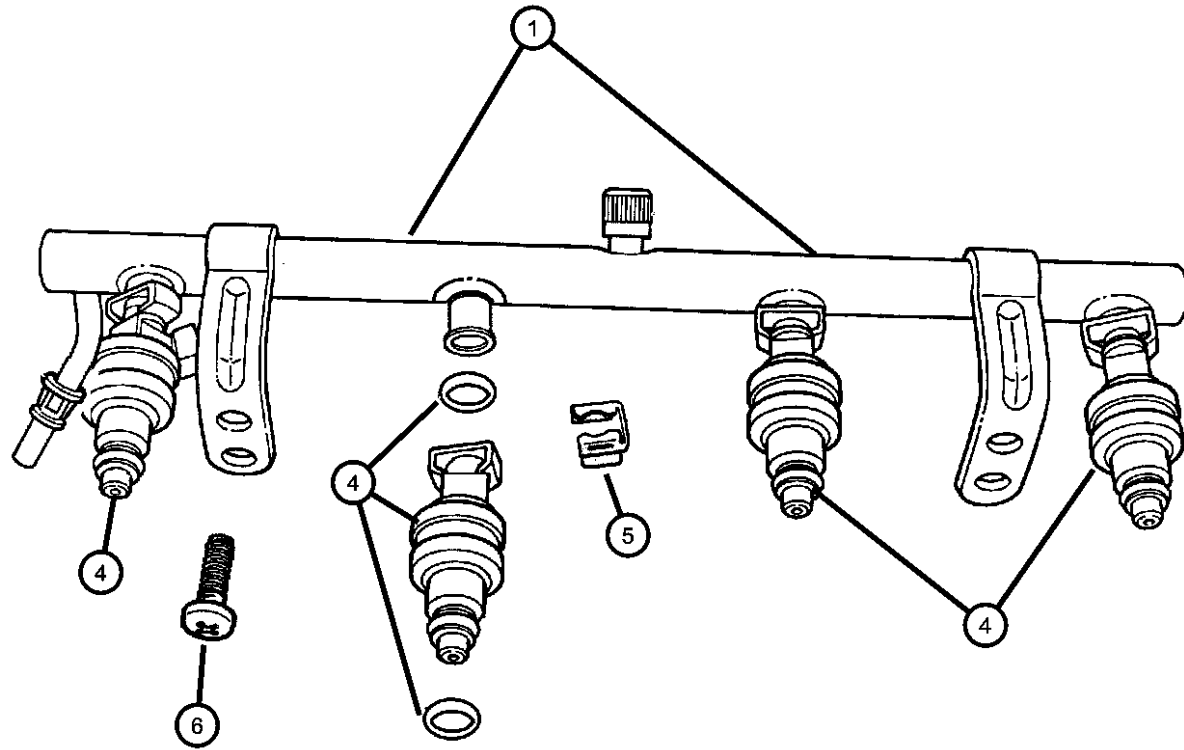
2004 KJ

Fuel Rail, 2.4L [ED0]
Figure 14-410

ITEM	PART NUMBER	QTY	LINE	SERIES	BODY	ENGINE	TRANS	TRIM	DESCRIPTION
------	-------------	-----	------	--------	------	--------	-------	------	-------------

Note: Sales Codes
[ED0]= All 2.2L, 2.5L, 2.4L, 4 Cylinder Gas Engines

1	05135582AA	1				ED0			RAIL, Fuel
-2	05135582AA	1							REGULATOR, Fuel Pressure, Serviced With Fuel Rail, (NOT SERVICED)
-3	05135582AA	1							FASTENER, Serviced With Fuel Rail, (NOT SERVICED)
4	53013656AA	4				ED0			INJECTOR, Fuel
5	53013504AB	4				ED0			CLIP, Fuel Injector
6	06101506	2				ED0			BOLT AND CONED WASHER, M8x1.25x18



LIBERTY (KJ)

SERIES LINE
P = Limited J = LHD (4WD)
H = Sport U = RHD (4WD)
M = Renegade T = LHD (2WD)

BODY
74 = 4 Door (104.3 WB)

ENGINE
ED1 = Engine - 2.4L 4 Cyl DOHC 16v SMPI
EKG = Engine - 3.7L V6
ENJ = Engine -2.5L 4 Cyl 16V Turbo Diesel
ENR = Engine - 2.8L 4 Cyl Turbo Diesel
ENO = 4Cyl Turbo Diesel
EKO = All 3.7L
ED0 = All 2.4L

TRANSMISSION
DDD = Transmission - 5-Speed HD Manual
DDK = Transmission - 5-Speed HD Manual
DG4 = Transmission-Multi-Speed Auto, 45RFE
DG6 = Transmission-4-Spd. Automatic, 42RLE
DGQ = Transmission-5-Spd Automatic 5-45RFE
DBB = All Manual Transmissions
DG0 = All Automatic Transmissions

AR = use ase required - = Non illustrated part

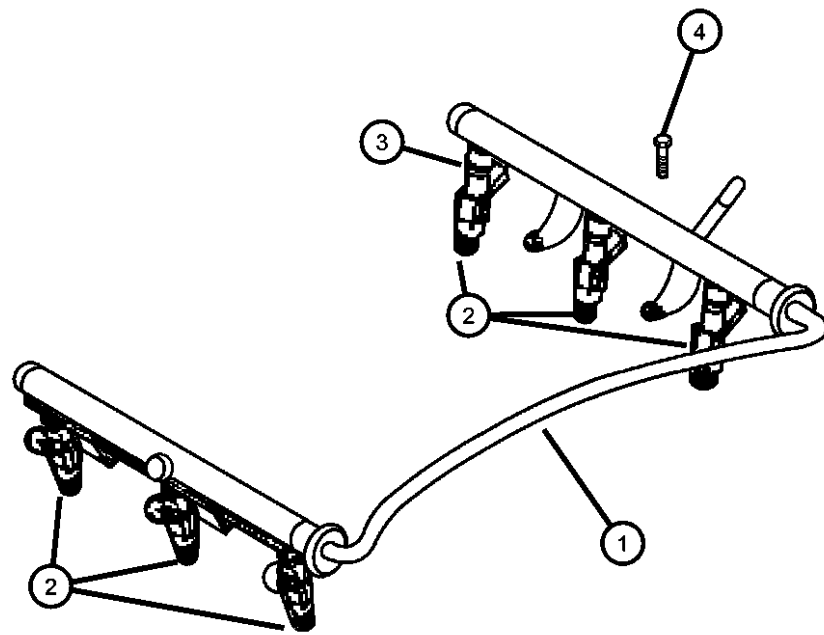
2004 KJ

**Fuel Rail, 3.7L [EK0]
Figure 14-415**

ITEM	PART NUMBER	QTY	LINE	SERIES	BODY	ENGINE	TRANS	TRIM	DESCRIPTION
------	-------------	-----	------	--------	------	--------	-------	------	-------------

Note; Sales Codes
[EK0]= All 3.7L 6 Cylinder Gas Engines

1	53031102	1				EK0			RAIL, Fuel
2	53032701AA 68000881AA	6				EK0			INJECTOR, Fuel Wholesale Bulk Injector Package - 70 pieces of 53032701AA
3	04418257AB	6				EK0			CLIP, Fuel Injector
4	06505504AA	4				EK0			SCREW
-5	05083745AA	6				EK0			O RING KIT, Fuel Injector



LIBERTY (KJ)

SERIES	LINE
P = Limited	J = LHD (4WD)
H = Sport	U = RHD (4WD)
M = Renegade	T = LHD (2WD)

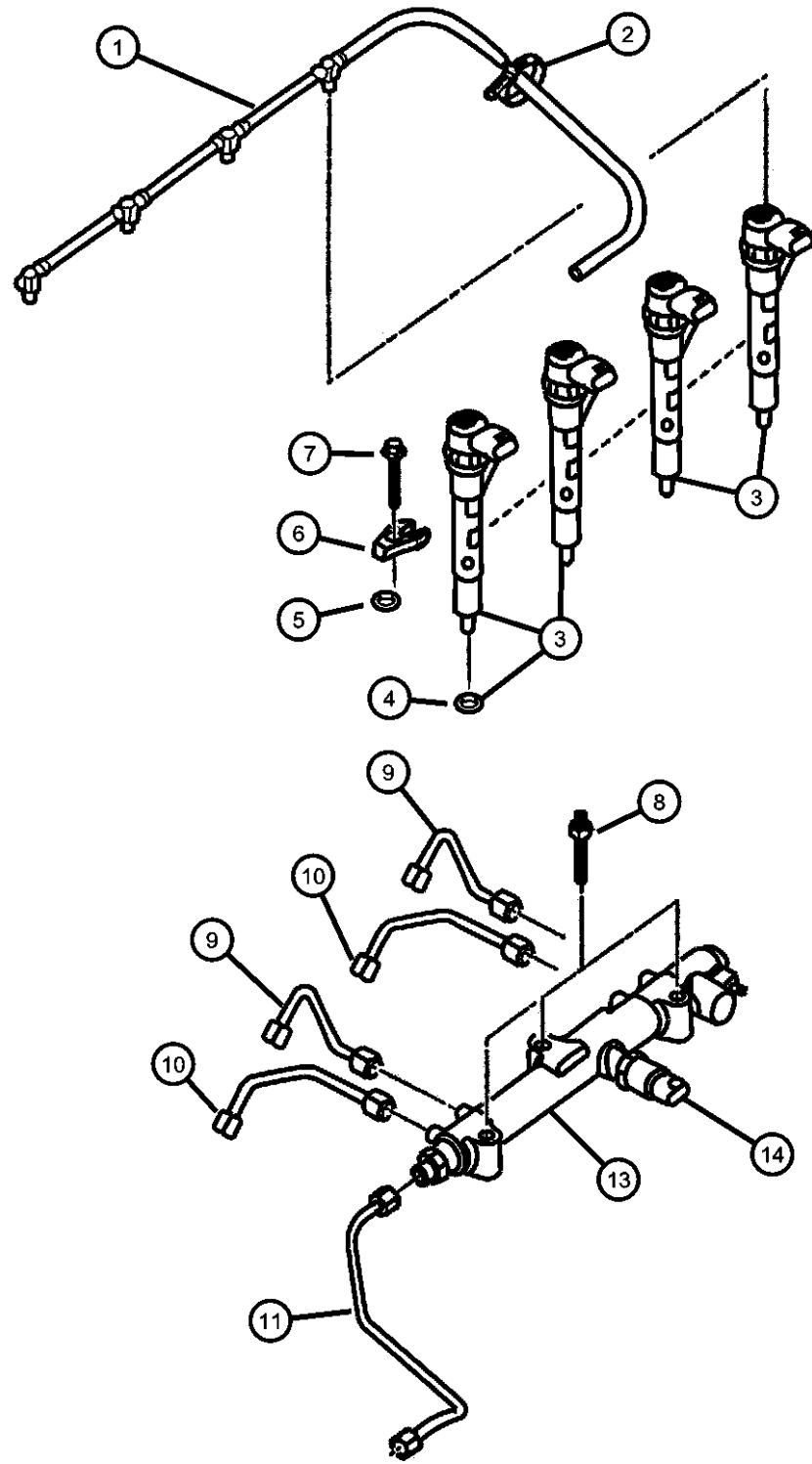
BODY
74 = 4 Door (104.3 WB)

ENGINE	TRANSMISSION
ED1 = Engine - 2.4L 4 Cyl DOHC 16v SMPI	DDD = Transmission - 5-Speed HD Manual
EKG = Engine - 3.7L V6	DDK = Transmission - 5-Speed HD Manual
ENJ = Engine -2.5L 4 Cyl 16V Turbo Diesel	DG4 = Transmission-Multi-Speed Auto, 45RFE
ENR = Engine - 2.8L 4 Cyl Turbo Diesel	DG6 = Transmission-4-Spd. Automatic, 42RLE
ENO = 4Cyl Turbo Diesel	DGQ = Transmission-5-Spd Automatic 5-45RFE
EK0 = All 3.7L	DBB = All Manual Transmissions
ED0 = All 2.4L	DG0 = All Automatic Transmissions

AR = use ase required - = Non illustrated part

2004 KJ

Fuel Injection System 2.8L [EN0]
Figure 14-420



ITEM	PART NUMBER	QTY	LINE	SERIES	BODY	ENGINE	TRANS	TRIM	DESCRIPTION
Note; Sales Codes [DBB]= All Manual Transmissions [EN0]= All 2.8L 4 Cylinder Turbo Diesels									
1	05093923AA	1				EN0	DBB		PIPE, Fuel Spill Return
		1				EN0	DG0		
2	04728184	1				EN0	DBB		CLIP, Spill Return Pipe
		1				EN0	DG0		
3	05066820AA	4				EN0	DBB		INJECTOR, Fuel
		4				EN0	DG0		
4	05072722AA	1				EN0	DBB		O RING, Fuel Injector
		1				EN0	DG0		
5	05093922AA	1				EN0	DBB		PLATE
		1				EN0	DG0		
6	05066904AA	1				EN0	DG0		CONNECTOR, Injector
		1				EN0	DBB		
7	05066962AA	4				EN0	DG0		SCREW
8	05066913AA	1				EN0	DG0		STUD
		1				EN0	DBB		
9	05066909AB	1				EN0	DBB		TUBE, Fuel Injector Supply
		1				EN0	DG0		
10	05066910AB	1				EN0	DBB		TUBE, Fuel Injector Supply
		1				EN0	DG0		

LIBERTY (KJ)

SERIES

P = Limited

H = Sport

M = Renegade

LINE

J = LHD (4WD)

U = RHD (4WD)

T = LHD (2WD)

BODY

74 = 4 Door (104.3 WB)

ENGINE

ED1 = Engine - 2.4L 4 Cyl

DOHC 16v SMPI

EKG = Engine - 3.7L V6

ENJ = Engine -2.5L 4 Cyl 16V

Turbo Diesel

ENR = Engine - 2.8L 4 Cyl

Turbo Diesel

EN0 = 4Cyl Turbo Diesel

EK0 = All 3.7L

ED0 = All 2.4L

TRANSMISSION

DDD = Transmission - 5-Speed HD Manual

DDK = Transmission - 5-Speed HD Manual

DG4 = Transmission-Multi-Speed

Auto, 45RFE

DG6 = Transmission-4-Spd.

Automatic, 42RLE

DGQ = Transmission-5-Spd Automatic

5-45RFE

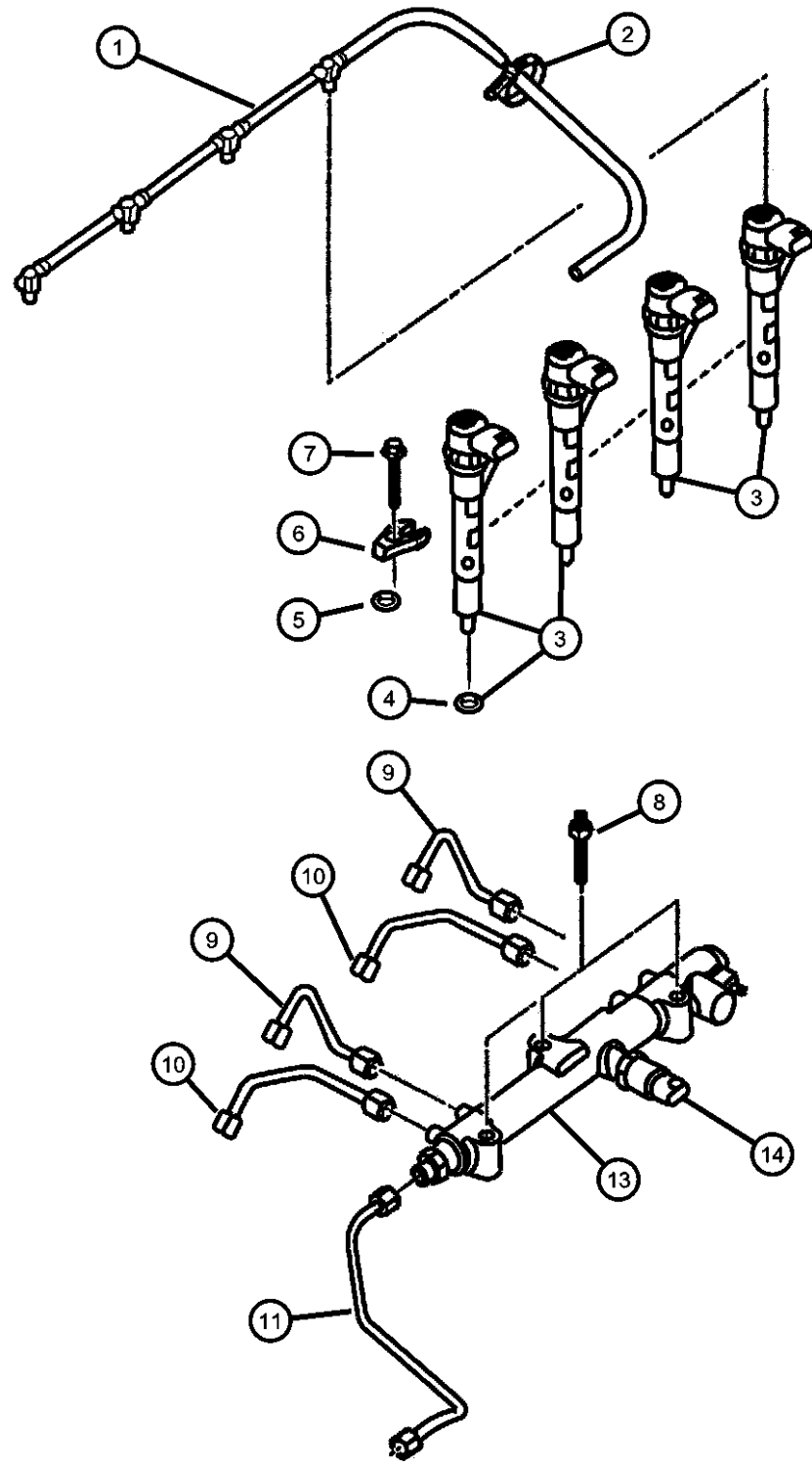
DBB = All Manual Transmissions

DG0 = All Automatic Transmissions

AR = use ase required - = Non illustrated part

2004 KJ

Fuel Injection System 2.8L [EN0]
Figure 14-420



ITEM	PART NUMBER	QTY	LINE	SERIES	BODY	ENGINE	TRANS	TRIM	DESCRIPTION
11	05066911AA	1				EN0	DG0		TUBE, Fuel Supply from Pump
-12	05093925AA	1				EN0	DBB		CLAMP, Item 11 Attach
13	05093924AA	1				EN0	DG0		RAIL, Fuel
14	05072726AA	1				EN0	DG0		SENSOR, Fuel Pressure

LIBERTY (KJ)

SERIES

P = Limited
H = Sport
M = Renegade

LINE

J = LHD (4WD)
U = RHD (4WD)
T = LHD (2WD)

BODY

74 = 4 Door (104.3 WB)

ENGINE

ED1 = Engine - 2.4L 4 Cyl
DOHC 16v SMPI
EKG = Engine - 3.7L V6
ENJ = Engine -2.5L 4 Cyl 16V
Turbo Diesel
ENR = Engine - 2.8L 4 Cyl
Turbo Diesel
EN0 = 4Cyl Turbo Diesel
EK0 = All 3.7L
ED0 = All 2.4L

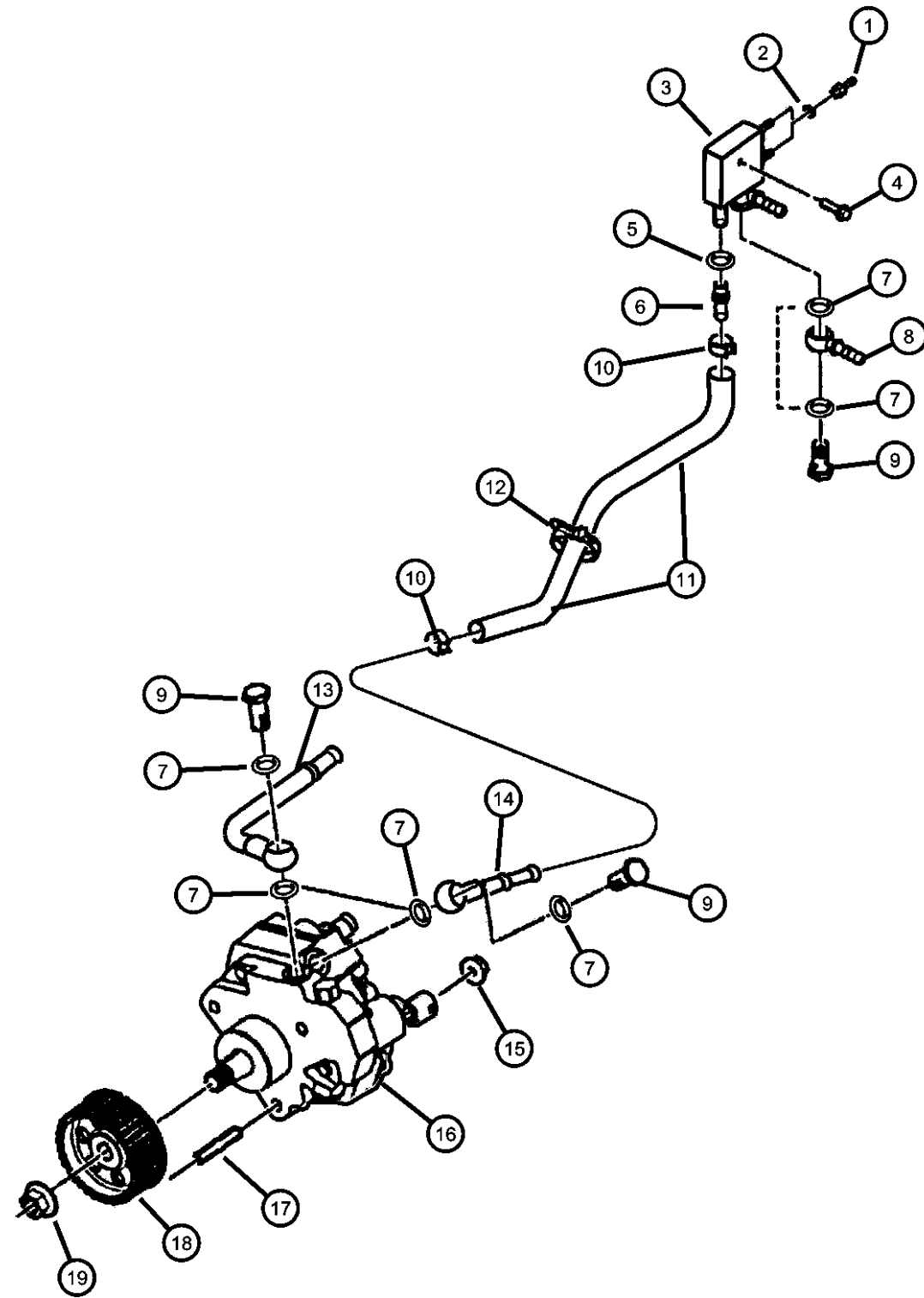
TRANSMISSION

DDD = Transmission - 5-Speed HD
Manual
DDK = Transmission - 5-Speed HD
Manual
DG4 = Transmission-Multi-Speed
Auto, 45RFE
DG6 = Transmission-4-Spd.
Automatic, 42RLE
DGQ = Transmission-5-Spd Automatic
5-45RFE
DBB = All Manual Transmissions
DG0 = All Automatic Transmissions

AR = use ase required - = Non illustrated part

2004 KJ

Fuel Injection Pump 2.8L [EN0]
Figure 14-430

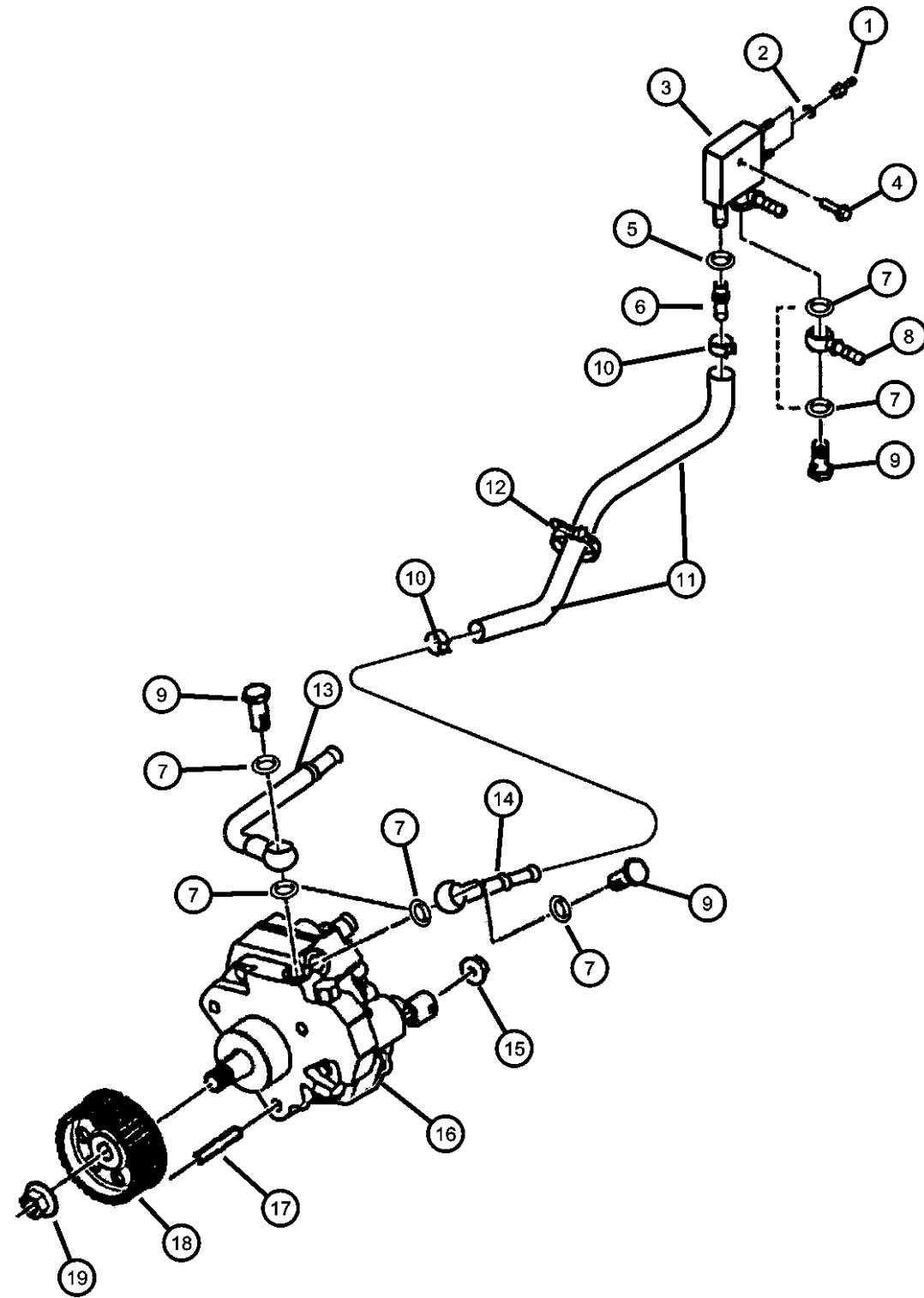


ITEM	PART NUMBER	QTY	LINE	SERIES	BODY	ENGINE	TRANS	TRIM	DESCRIPTION
Note; Sales Codes [DBB] = All Manual Transmissions [EN0]= All 2.8L 4 Cylinder Turbo Diesels									
1									UNION
	05072727AA	1				EN0	DG0		
		2				EN0	DBB		
2									O RING
	05072728AA	2				EN0	DG0		
		2				EN0	DBB		
3	05072743AA	1				EN0	DG0		BLOCK, Fuel Return
4	05072729AA	1				EN0	DG0		SCREW
5	04720713	1				EN0	DG0		WASHER, Implement Attaching
6	05072724AA	1				EN0	DG0		UNION
7									WASHER, Plain
	04720703	6				EN0	DBB		
		6				EN0	DG0		
8	04728185	1				EN0	DG0		CONNECTOR
9	04720367	1				EN0	DG0		BOLT, Banjo
10									CLAMP, Heater Hose
	04886051AA	2				EN0	DBB		
		2				EN0	DG0		
11	05072725AB	1				EN0	DG0		HOSE, Fuel
12	04728184	1				EN0	DG0		CLIP, Spill Return Pipe
13	05072721AA	1				EN0	DG0		BANJO, Fuel
14	05072723AB	1				EN0	DG0		BANJO, Fuel
15	04778961	3				EN0	DG0		NUT
16									PUMP, Fuel Injection
	05066819AB	1				EN0	DG0		
		1				EN0	DBB		
17	05066908AA	1				EN0	DG0		STUD, Injection Pump
18	05066903AA	1				EN0	DG0		GEAR, Injection Pump

LIBERTY (KJ)		BODY		ENGINE		TRANSMISSION	
SERIES	LINE	74 = 4 Door (104.3 WB)		ED1 = Engine - 2.4L 4 Cyl DOHC 16v SMPI		DDD = Transmission - 5-Speed HD Manual	
P = Limited	J = LHD (4WD)			EKG = Engine - 3.7L V6		DDK = Transmission - 5-Speed HD Manual	
H = Sport	U = RHD (4WD)			ENJ = Engine -2.5L 4 Cyl 16V Turbo Diesel		DG4 = Transmission-Multi-Speed Auto, 45RFE	
M = Renegade	T = LHD (2WD)			ENR = Engine - 2.8L 4 Cyl Turbo Diesel		DG6 = Transmission-4-Spd. Automatic, 42RLE	
				EN0 = 4Cyl Turbo Diesel		DGQ = Transmission-5-Spd Automatic 5-45RFE	
				ED0 = All 3.7L		DBB = All Manual Transmissions DG0 = All Automatic Transmissions	

AR = use ase required - = Non illustrated part

Fuel Injection Pump 2.8L [EN0]
Figure 14-430



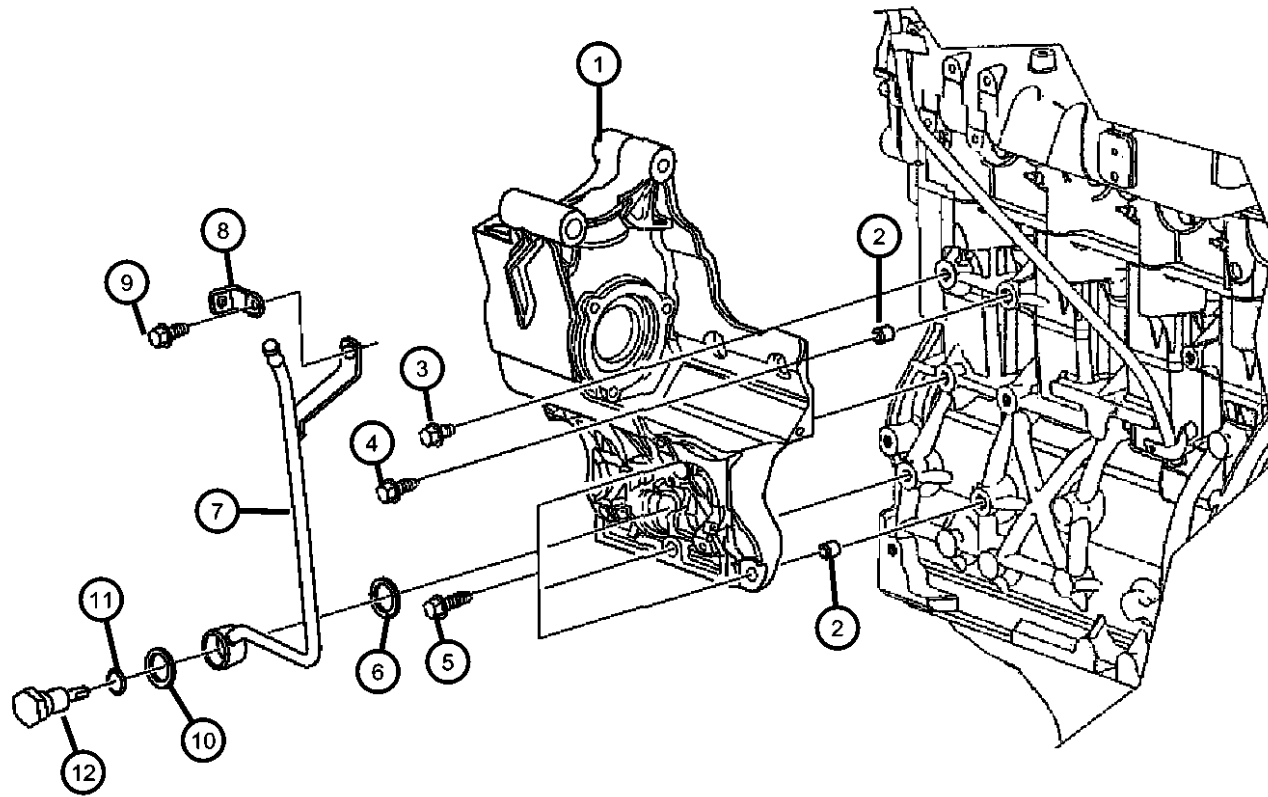
ITEM	PART NUMBER	QTY	LINE	SERIES	BODY	ENGINE	TRANS	TRIM	DESCRIPTION
19	05066817AA	1				EN0	DG0		NUT
-20	05015037AA	1				EN0	DG0		VALVE, Vacuum Pump
-21									CLIP, Fuel Injector
	05083712AA	1				EN0	DG0		
		4				EN0	DBB		
-22									VALVE, Vacuum Pump
	05015037AA	1				EN0	DBB		Regulate The Flow of Fuel Into The High Pressure Pump
		1				EN0	DG0		Regulate The Flow of Fuel Into The High Pressure Pump

LIBERTY (KJ)				
SERIES	LINE	BODY	ENGINE	TRANSMISSION
P = Limited	J = LHD (4WD)	74 = 4 Door (104.3 WB)	ED1 = Engine - 2.4L 4 Cyl DOHC 16v SMPI	DDD = Transmission - 5-Speed HD Manual
H = Sport	U = RHD (4WD)		EKG = Engine - 3.7L V6	DDK = Transmission - 5-Speed HD Manual
M = Renegade	T = LHD (2WD)		ENJ = Engine -2.5L 4 Cyl 16V Turbo Diesel	DG4 = Transmission-Multi-Speed Auto, 45RFE
			ENR = Engine - 2.8L 4 Cyl Turbo Diesel	DG6 = Transmission-4-Spd. Automatic, 42RLE
			EN0 = 4Cyl Turbo Diesel	DGQ = Transmission-5-Spd Automatic 5-45RFE
			EK0 = All 3.7L	DBB = All Manual Transmissions
			ED0 = All 2.4L	DG0 = All Automatic Transmissions

AR = use ase required - = Non illustrated part

**Fuel Injection Pump Mounting
Figure 14-435**

ITEM	PART NUMBER	QTY	LINE	SERIES	BODY	ENGINE	TRANS	TRIM	DESCRIPTION
Note; Sales Codes;									
[DBB] = All Manual Transmissions									
[DG0] = All Automatic Transmissions									
[EN0] = All 4/5 Cylinder Turbo Diesel Engines									
1									BRACKET
	05093901AA	1				EN0	DG0		
		1				EN0	DBB		
2									PIN
	05066862AA	1				EN0	DG0		
		1				EN0	DBB		
3									SCREW
	05093900AA	1				EN0	DG0		
		1				EN0	DBB		
4									BOLT, Adaptor Plate
	05003532AA	1				EN0	DBB		
		1				EN0	DG0		
5									SCREW
	05066939AA	1				EN0	DG0		
		1				EN0	DBB		
6									GASKET, Vacuum Pump, .
	04863779	1				EN0	DG0		
		1				EN0	DBB		
7									TUBE, Vacuum
	05072684AB	1				EN0	DG0		
		1				EN0	DBB		
8									BRACKET
	05093902AA	1				EN0	DG0		
		1				EN0	DBB		
9									SCREW
	05003557AA	1				EN0	DBB		
		1				EN0	DG0		



LIBERTY (KJ)

SERIES

P = Limited
H = Sport
M = Renegade

LINE

J = LHD (4WD)
U = RHD (4WD)
T = LHD (2WD)

BODY

74 = 4 Door (104.3 WB)

ENGINE

ED1 = Engine - 2.4L 4 Cyl
DOHC 16v SMPI
EKG = Engine - 3.7L V6
ENJ = Engine -2.5L 4 Cyl 16V
Turbo Diesel
ENR = Engine - 2.8L 4 Cyl
Turbo Diesel
EN0 = 4Cyl Turbo Diesel
EKO = All 3.7L
ED0 = All 2.4L

TRANSMISSION

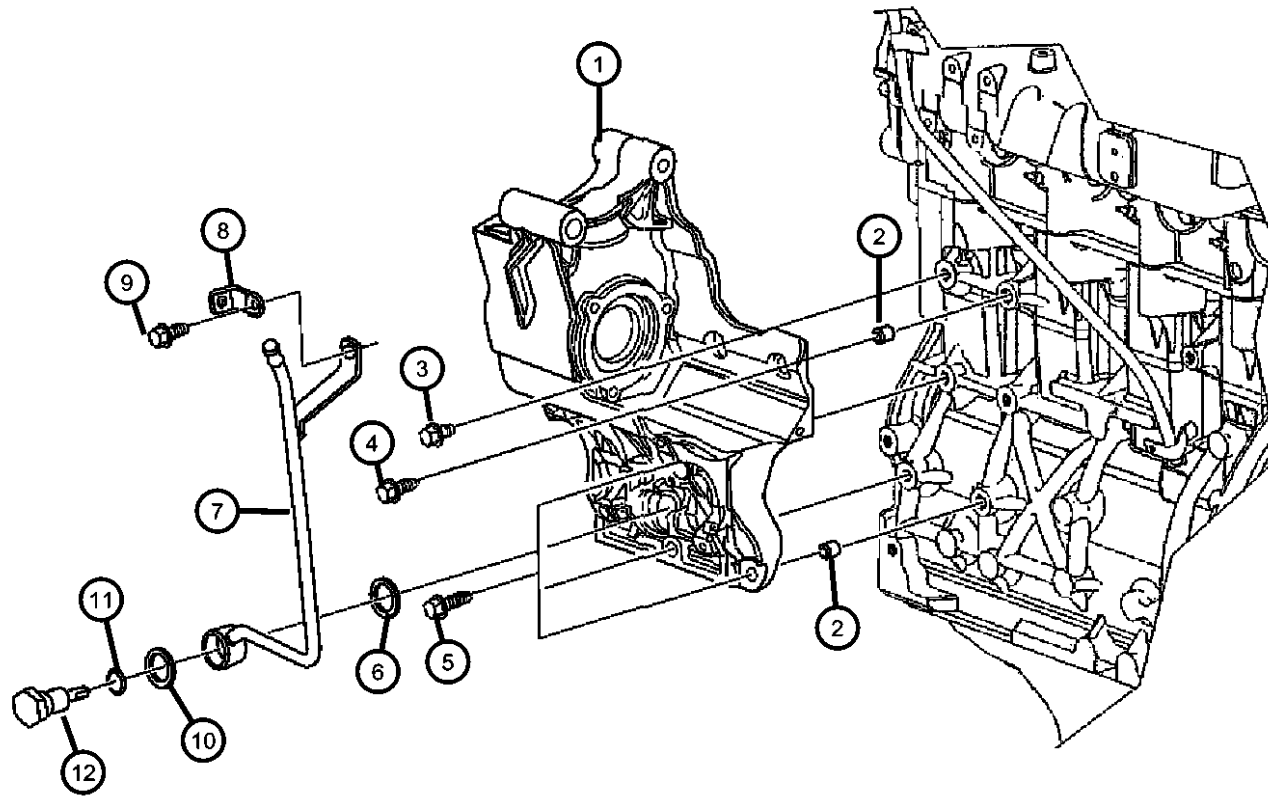
DDD = Transmission - 5-Speed HD
Manual
DDK = Transmission - 5-Speed HD
Manual
DG4 = Transmission-Multi-Speed
Auto, 45RFE
DG6 = Transmission-4-Spd.
Automatic, 42RLE
DGQ = Transmission-5-Spd Automatic
5-45RFE
DBB = All Manual Transmissions
DG0 = All Automatic Transmissions

AR = use ase required - = Non illustrated part

2004 KJ

**Fuel Injection Pump Mounting
Figure 14-435**

ITEM	PART NUMBER	QTY	LINE	SERIES	BODY	ENGINE	TRANS	TRIM	DESCRIPTION
10	05015040AA	1				EN0	DBB		WASHER, Plain
		1				EN0	DG0		
11	05066860AA	1				EN0	DBB		O RING
		1				EN0	DG0		
12	05015037AA	1				EN0	DBB		VALVE, Vacuum Pump
		1				EN0	DG0		



LIBERTY (KJ)

SERIES

P = Limited
H = Sport
M = Renegade

LINE

J = LHD (4WD)
U = RHD (4WD)
T = LHD (2WD)

BODY

74 = 4 Door (104.3 WB)

ENGINE

ED1 = Engine - 2.4L 4 Cyl
DOHC 16v SMPI
EKG = Engine - 3.7L V6
ENJ = Engine -2.5L 4 Cyl 16V
Turbo Diesel
ENR = Engine - 2.8L 4 Cyl
Turbo Diesel
EN0 = 4Cyl Turbo Diesel
EK0 = All 3.7L
ED0 = All 2.4L

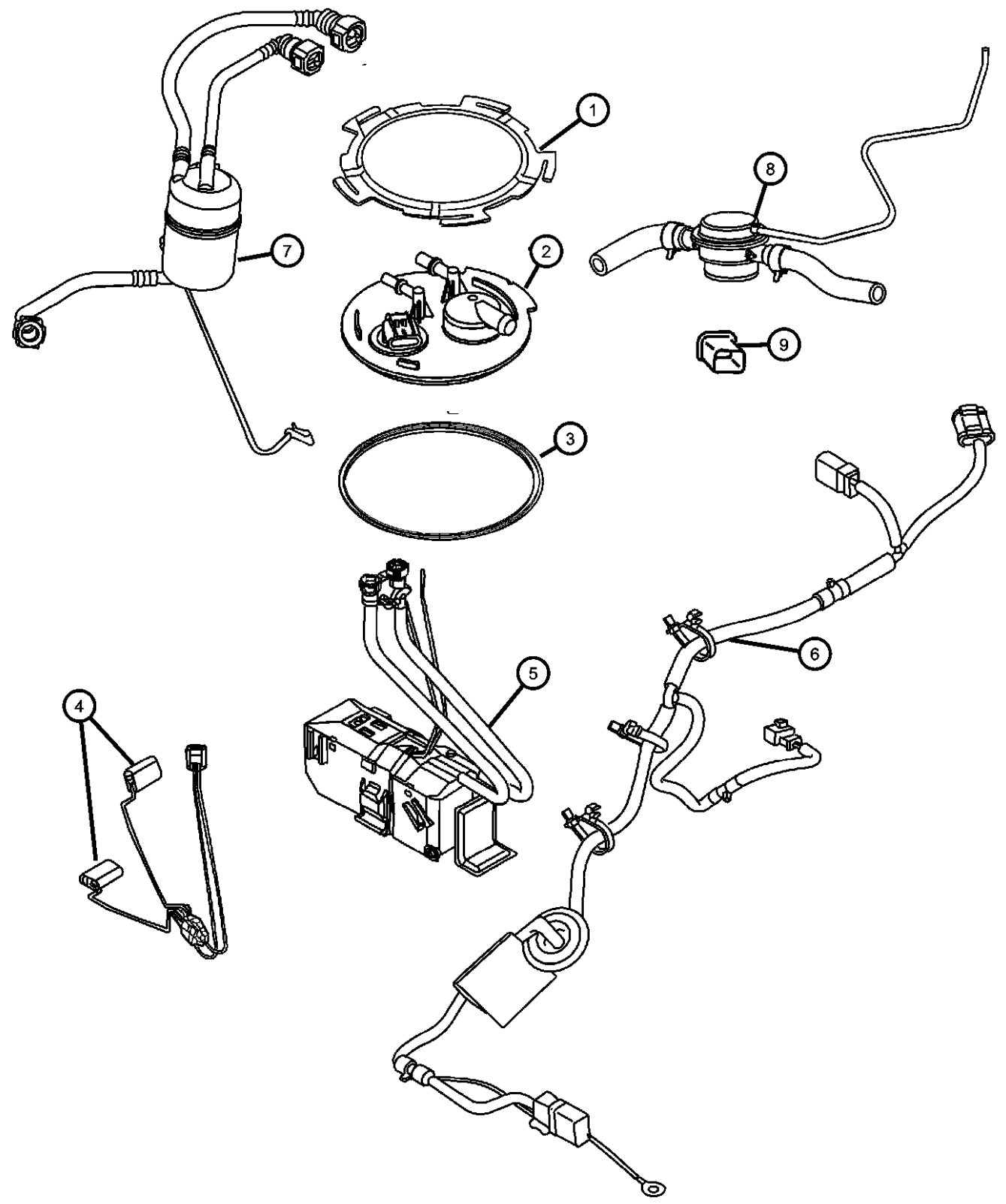
TRANSMISSION

DDD = Transmission - 5-Speed HD
Manual
DDK = Transmission - 5-Speed HD
Manual
DG4 = Transmission-Multi-Speed
Auto, 45RFE
DG6 = Transmission-4-Spd.
Automatic, 42RLE
DGQ = Transmission-5-Spd Automatic
5-45RFE
DBB = All Manual Transmissions
DG0 = All Automatic Transmissions

AR = use ase required - = Non illustrated part

2004 KJ

**Fuel Pump and Sending Unit, 2.4L [ED0], 3.7L [EK0], 2.8L [EN0]
Figure 14-510**



ITEM	PART NUMBER	QTY	LINE	SERIES	BODY	ENGINE	TRANS	TRIM	DESCRIPTION
------	-------------	-----	------	--------	------	--------	-------	------	-------------

Note; Sales Codes
 [ED0]= All 2.2L, 2.5L, 2.4L, 4 Cylinder Gas Engines
 [EK0]= All 3.7L, 6 Cylinder Gas Engines
 [EN0]= All 2.8L 4 Cylinder Turb Diesels

1	52100409AB	1				ED0, EK0			NUT, Fuel Pump Module
		1				EN0			
2	05072755AA	1				EN0			FLANGE PACKAGE, Fuel
	05103115AC	1				ED0, EK0			Fuel Pump Flange and Seal Only
3	52100410AA	1				ED0, EK0			SEAL, Fuel Pump and Level Unit
		1				EN0			
4	05103113AB	1				ED0, EK0			LEVEL UNIT PACKAGE, Fuel,
	05103116AA	1				EN0			Includes Pump Wires
5	05066999AB	1				EN0			RESERVOIR PACKAGE, Fuel,
	05103114AB	1				ED0, EK0			Fuel Pump Included with Package
6	56010598AC	1				ED0, EK0			WIRING, Fuel Module
	56010599AA	1				EN0			
7	52128698AA	1				EN0			FILTER, Fuel
8	52128698AA	1				EN0			VALVE, Flow, (NOT SERVICED)
9	52100556AA	1				ED0, EK0			SLEEVE, Insert

LIBERTY (KJ)		BODY	ENGINE	TRANSMISSION
SERIES	LINE			
P = Limited	J = LHD (4WD)	74 = 4 Door (104.3 WB)	ED1 = Engine - 2.4L 4 Cyl DOHC 16v SMPI	DDD = Transmission - 5-Speed HD Manual
H = Sport	U = RHD (4WD)		EKG = Engine - 3.7L V6	DDK = Transmission - 5-Speed HD Manual
M = Renegade	T = LHD (2WD)		ENJ = Engine -2.5L 4 Cyl 16V Turbo Diesel	DG4 = Transmission-Multi-Speed Auto, 45RFE
			ENR = Engine - 2.8L 4 Cyl Turbo Diesel	DG6 = Transmission-4-Spd. Automatic, 42RLE
			EN0 = 4Cyl Turbo Diesel	DGQ = Transmission-5-Spd Automatic 5-45RFE
			EK0 = All 3.7L	DBB = All Manual Transmissions
			ED0 = All 2.4L	DG0 = All Automatic Transmissions

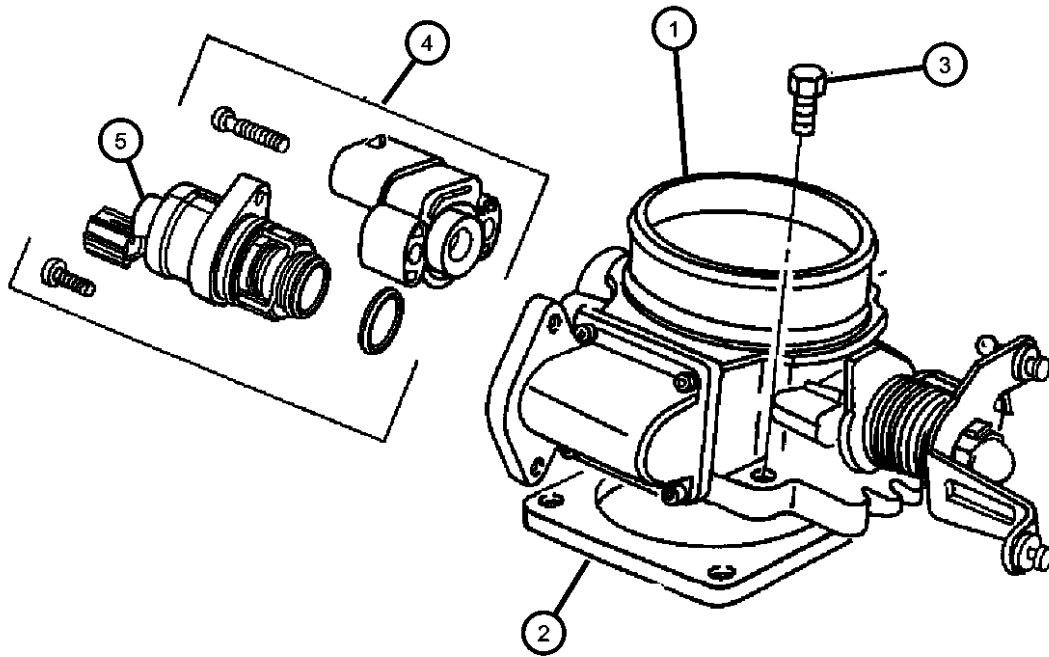
AR = use ase required - = Non illustrated part

**Throttle Body, [2.4L ED0, 3.7L EK0]
Figure 14-610**

ITEM	PART NUMBER	QTY	LINE	SERIES	BODY	ENGINE	TRANS	TRIM	DESCRIPTION
------	-------------	-----	------	--------	------	--------	-------	------	-------------

Note; Sales Codes
 [ED0]= All 2.2L, 2.5L, 2.4L, 4 Cylinder Gas Engines
 [EK0]= All 3.7L, 6 Cylinder Gas Engines

1									THROTTLE BODY
	05114401AA	1				EK0			
	53013547AA	1				ED0			
2									GASKET, Throttle Body To Intake
	53013292AB	1				EK0			
	53013533AA	1				ED0			
3	53013533AA	1							SCREW, Hex Head, M6 x 1.00 x 40.00, (NOT SERVICED)
4									SENSOR KIT, Throttle Position
	05019411AB	1				ED0			
		1				EK0			
5									SOLENOID, Linear IACV
	04861325AC	1				ED0			
	04861552AB	1				EK0			
-6									O RING KIT, Linear Solenoid
	05114356AA	1				EK0			
		1				ED0			



LIBERTY (KJ)

SERIES	LINE
P = Limited	J = LHD (4WD)
H = Sport	U = RHD (4WD)
M = Renegade	T = LHD (2WD)

BODY
 74 = 4 Door (104.3 WB)

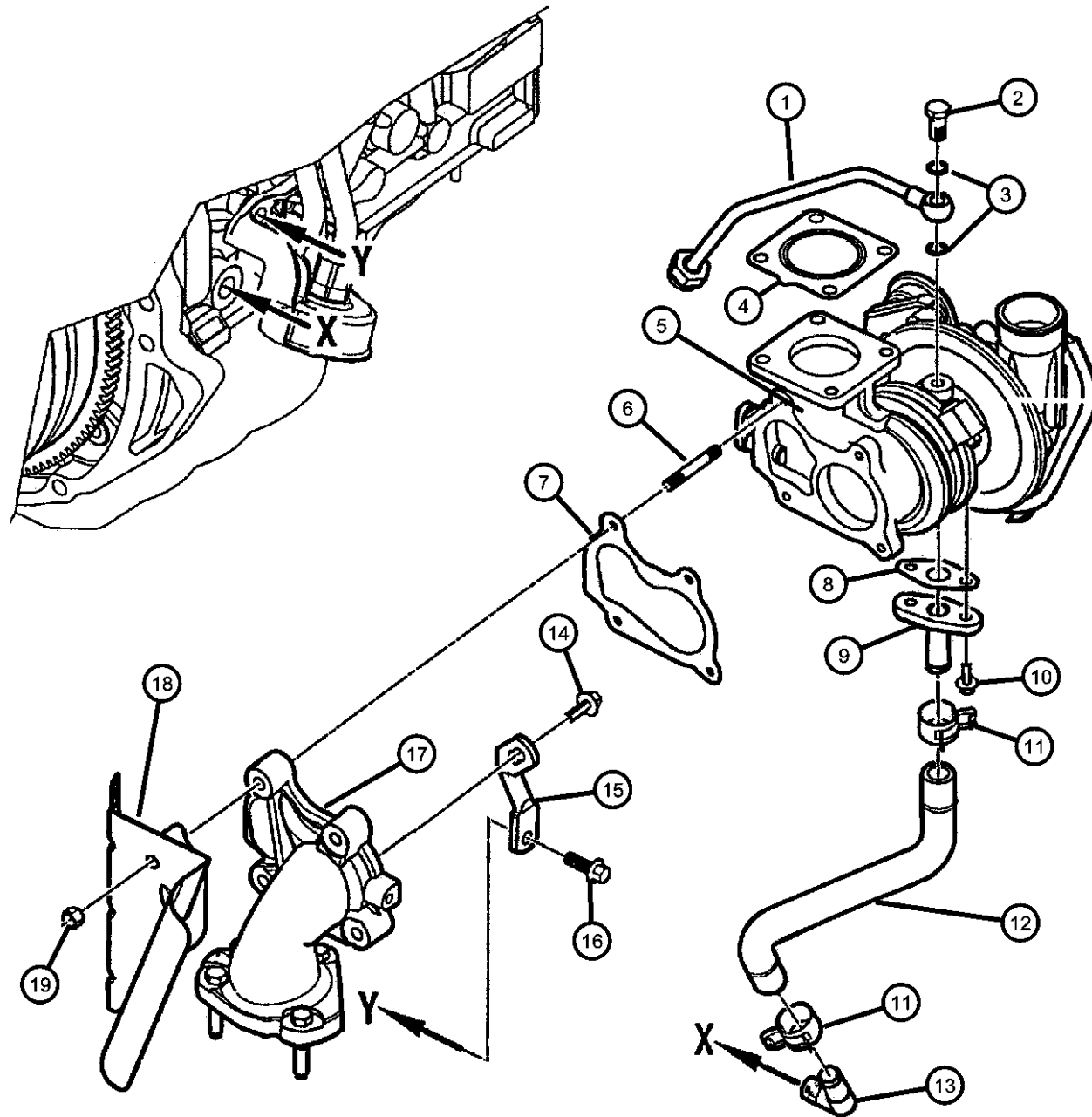
ENGINE
 ED1 = Engine - 2.4L 4 Cyl
 DOHC 16v SMPI
 EKG = Engine - 3.7L V6
 ENJ = Engine -2.5L 4 Cyl 16V
 Turbo Diesel
 ENR = Engine - 2.8L 4 Cyl
 Turbo Diesel
 ENO = 4Cyl Turbo Diesel
 EK0 = All 3.7L
 ED0 = All 2.4L

TRANSMISSION
 DDD = Transmission - 5-Speed HD
 Manual
 DDK = Transmission - 5-Speed HD
 Manual
 DG4 = Transmission-Multi-Speed
 Auto, 45RFE
 DG6 = Transmission-4-Spd.
 Automatic, 42RLE
 DGQ = Transmission-5-Spd Automatic
 5-45RFE
 DBB = All Manual Transmissions
 DG0 = All Automatic Transmissions

AR = use ase required - = Non illustrated part

2004 KJ

**Turbocharger 2.8L [EN0]
Figure 14-620**

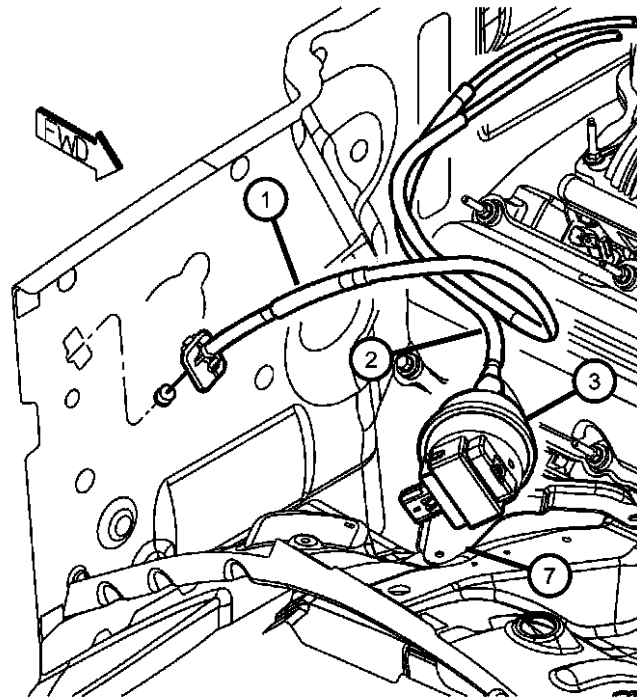


ITEM	PART NUMBER	QTY	LINE	SERIES	BODY	ENGINE	TRANS	TRIM	DESCRIPTION
Note; Sales Codes [DBB]= All Manual Transmissions [EN0]= All 2.8L 4 Cylinder Turbo Diesels									
1	05093927AA	1				EN0	DG0		PIPE, Oil Supply
2	05066824AA	1				EN0	DG0		BOLT, Banjo
3	04720713	2				EN0	DG0		WASHER, Implement Attaching
4	05066822AA	1				EN0	DG0		GASKET, Turbocharger To Manifold
5									TURBOCHARGER
	05093928AA	1				EN0	DBB		
	05134235AA	1				EN0	DG0		
6	05066796AA	1				EN0	DG0		STUD, Turbo Elbow
7	05066915AA	1				EN0	DG0		GASKET, Turbocharger To Manifold
8	04796007AB	1				EN0	DG0		GASKET, Turbo Oil Return Pipe
9	05093929AA	1				EN0	DG0		TUBE, Oil Drain
10									SCREW
	05003553AA	3				EN0	DBB		
		3				EN0	DG0		
11	05019342AB	1				EN0	DG0		CLAMP, Heater Hose
12	05093930AA	1				EN0	DG0		PIPE, Oil Drain
13	04773709	1				EN0	DG0		ADAPTER, Oil Drain Pipe
14	05003554AA	1				EN0	DG0		SCREW
15	05072733AA	1				EN0	DG0		BRACKET, Turbo Charger
16	05003532AA	1				EN0	DG0		BOLT, Adaptor Plate
17	05072732AB	1				EN0	DG0		ELBOW, Turbo Exhaust Outlet
18	05072731AA	1				EN0	DG0		SHIELD, Heat
19	04882610	4				EN0	DG0		NUT, Lock
-20	05083711AA	1				EN0	DG0		VALVE
-21	05093932AA	1				EN0	DG0		PIPE, EGR, Manifold Vacuum
-22	05072739AA	1				EN0	DG0		ELBOW, Intake Manifold Vacuum
-23	05066944AA	1				EN0	DG0		SCREW, Elbow Mounting

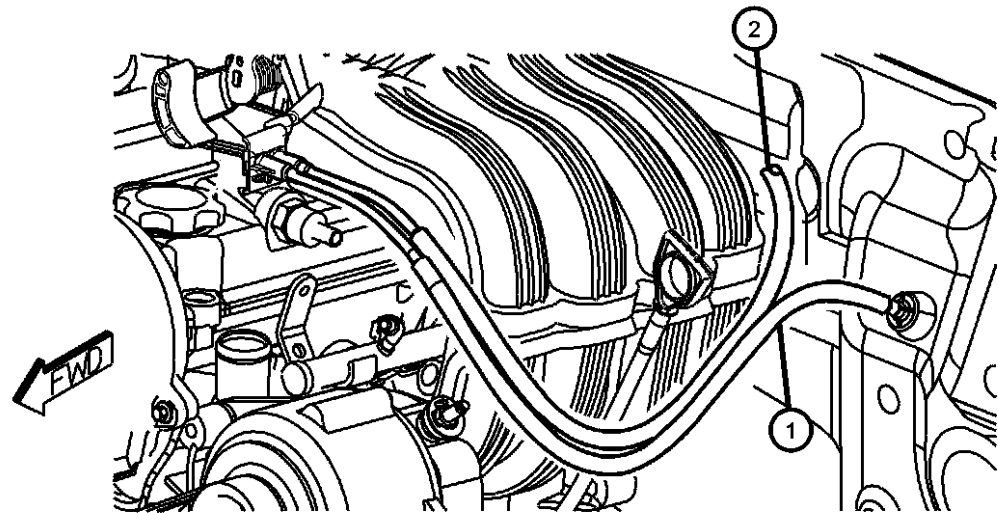
LIBERTY (KJ)				
SERIES	LINE	BODY	ENGINE	TRANSMISSION
P = Limited	J = LHD (4WD)	74 = 4 Door (104.3 WB)	ED1 = Engine - 2.4L 4 Cyl DOHC 16v SMPI	DDD = Transmission - 5-Speed HD Manual
H = Sport	U = RHD (4WD)		EKG = Engine - 3.7L V6	DDK = Transmission - 5-Speed HD Manual
M = Renegade	T = LHD (2WD)		ENJ = Engine -2.5L 4 Cyl 16V Turbo Diesel	DG4 = Transmission-Multi-Speed Auto, 45RFE
			ENR = Engine - 2.8L 4 Cyl Turbo Diesel	DG6 = Transmission-4-Spd. Automatic, 42RLE
			EN0 = 4Cyl Turbo Diesel	DGQ = Transmission-5-Spd Automatic 5-45RFE
			ED0 = All 2.4L	DBB = All Manual Transmissions
				DG0 = All Automatic Transmissions

AR = use ase required - = Non illustrated part

**Throttle Controls, 2.4L [ED0]
Figure 14-710**



ITEM	PART NUMBER	QTY	LINE	SERIES	BODY	ENGINE	TRANS	TRIM	DESCRIPTION
Note; Sales Codes [ED0]= All 2.2L, 2.5L, 2.4L, 4 Cylinder Gas Engines									
1									CABLE, Accelerator
	53013137AB	1		J, T		ED0			
	53013239AB	1		U		ED0			
2	53013346AB	1				ED0			CABLE, Speed Control
3	04669979	1				ED0			SERVO, Speed Control
-4	06025867	1				ED0			CLIP, Cable to Servo Attach
-5	06502493	2				ED0			NUT, Hex Flange Serration, M6x1
-6	06025867	1				ED0			CLIP, Cable to Servo Attach
7	53013348AA	1				ED0			BRACKET, Speed Control Servo

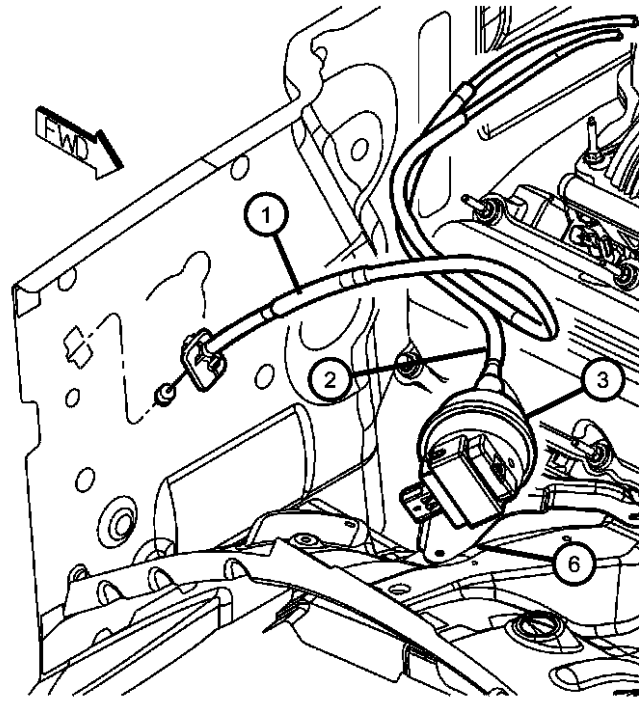


LIBERTY (KJ)				
SERIES	LINE	BODY	ENGINE	TRANSMISSION
P = Limited	J = LHD (4WD)	74 = 4 Door (104.3 WB)	ED1 = Engine - 2.4L 4 Cyl DOHC 16v SMPI	DDD = Transmission - 5-Speed HD Manual
H = Sport	U = RHD (4WD)		EKG = Engine - 3.7L V6	DDK = Transmission - 5-Speed HD Manual
M = Renegade	T = LHD (2WD)		ENJ = Engine -2.5L 4 Cyl 16V Turbo Diesel	DG4 = Transmission-Multi-Speed Auto, 45RFE
			ENR = Engine - 2.8L 4 Cyl Turbo Diesel	DG6 = Transmission-4-Spd. Automatic, 42RLE
			ENO = 4Cyl Turbo Diesel	DGQ = Transmission-5-Spd Automatic 5-45RFE
			EK0 = All 3.7L	DBB = All Manual Transmissions
			ED0 = All 2.4L	DG0 = All Automatic Transmissions

AR = use ase required - = Non illustrated part

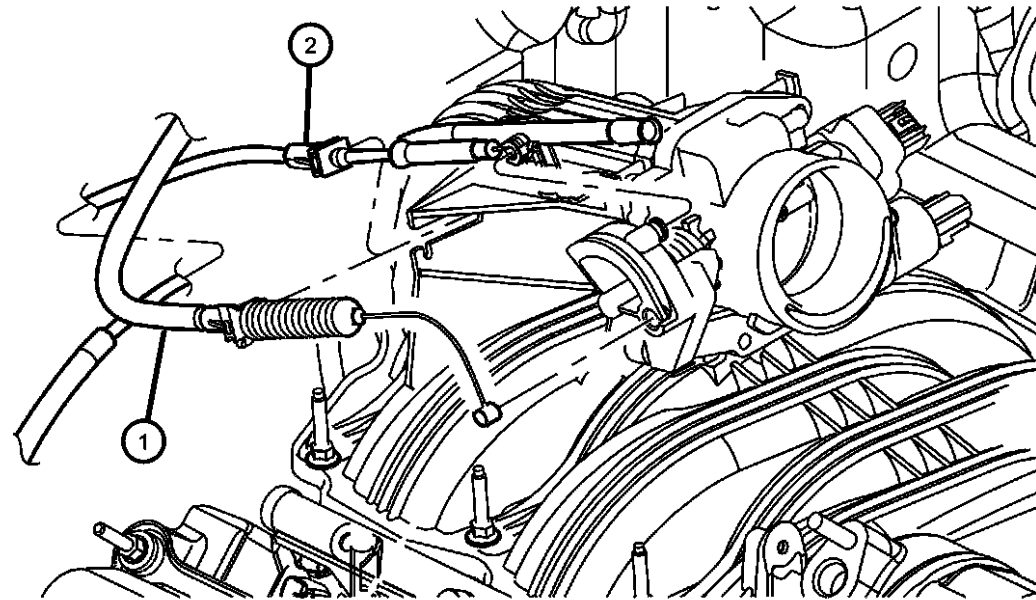
**Throttle Controls, 3.7L [EKG]
Figure 14-720**

ITEM	PART NUMBER	QTY	LINE	SERIES	BODY	ENGINE	TRANS	TRIM	DESCRIPTION
------	-------------	-----	------	--------	------	--------	-------	------	-------------



Note; Sales Codes
[EKG]= 3.7L Magnum V-6
[EK0]= All 3.7L V-6 Gas Engines

1									CABLE, Accelerator
	53013136AD	1	J, T			EKG			
	53013138AC	1	U			EKG			
2	53013367AD	1				EK0			CABLE, Speed Control
3	04669979	1				EK0			SERVO, Speed Control
-4	06502493	2				ED0			NUT, Hex Flange Serration, M6x1
-5	06025867	1				EK0			CLIP, Cable to Servo Attach
6	53013348AA	1				EK0			BRACKET, Speed Control Servo
-7	05214613	1	J, T						CLIP, Cable, Accelerator Cable to Pedal



LIBERTY (KJ)

SERIES	LINE
P = Limited	J = LHD (4WD)
H = Sport	U = RHD (4WD)
M = Renegade	T = LHD (2WD)

BODY
74 = 4 Door (104.3 WB)

ENGINE
ED1 = Engine - 2.4L 4 Cyl
DOHC 16v SMPI
EKG = Engine - 3.7L V6
ENJ = Engine -2.5L 4 Cyl 16V
Turbo Diesel
ENR = Engine - 2.8L 4 Cyl
Turbo Diesel
ENO = 4Cyl Turbo Diesel
EK0 = All 3.7L
ED0 = All 2.4L

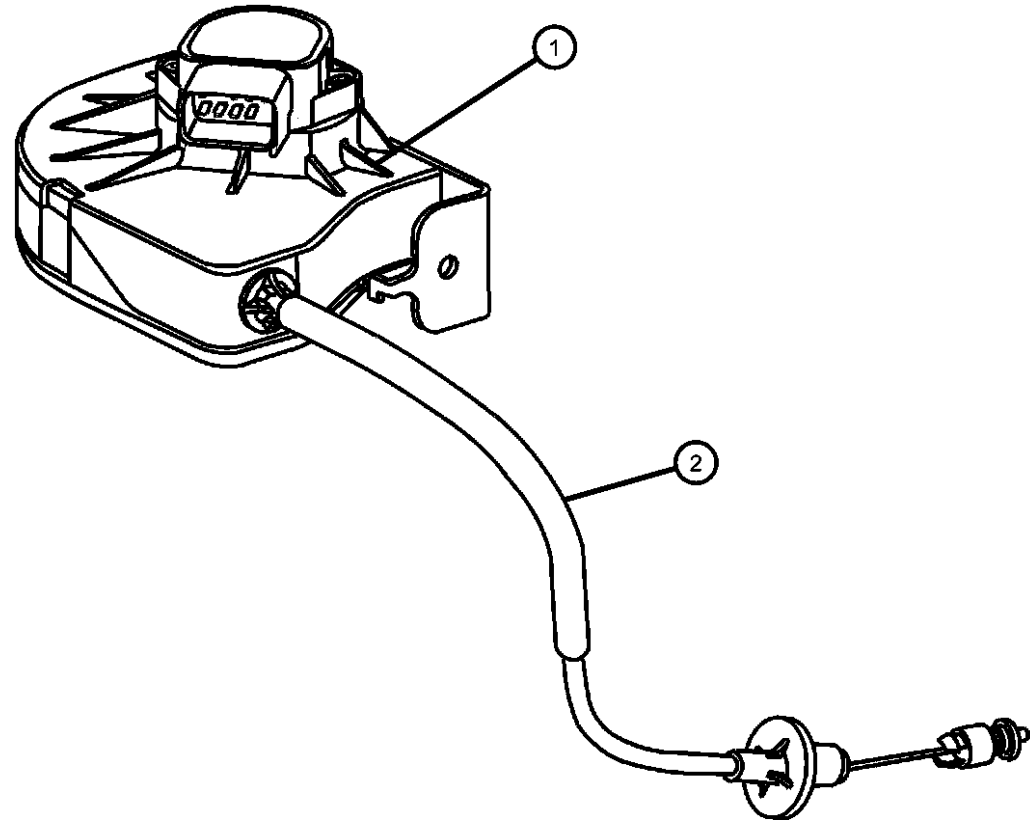
TRANSMISSION
DDD = Transmission - 5-Speed HD
Manual
DDK = Transmission - 5-Speed HD
Manual
DG4 = Transmission-Multi-Speed
Auto, 45RFE
DG6 = Transmission-4-Spd.
Automatic, 42RLE
DGQ = Transmission-5-Spd Automatic
5-45RFE
DBB = All Manual Transmissions
DG0 = All Automatic Transmissions

AR = use ase required - = Non illustrated part

2004 KJ

**Throttle Controls, 2.8L [EN0]
Figure 14-730**

ITEM	PART NUMBER	QTY	LINE	SERIES	BODY	ENGINE	TRANS	TRIM	DESCRIPTION
Note; Sales Codes [EN0]= All 2.8L 4 Cylinder Turbo Diesels									
1	52850616AE	1				EN0			BELLCRANK, Accelerator and Cruise
2	52851243AC	1	J, T			EN0			CABLE, Accelerator
	52851244AC	1	U			EN0			
-3	06501957	2				EN0			SCREW, Bell Crank to Bracket attaching



LIBERTY (KJ)

SERIES	LINE
P = Limited	J = LHD (4WD)
H = Sport	U = RHD (4WD)
M = Renegade	T = LHD (2WD)

BODY
74 = 4 Door (104.3 WB)

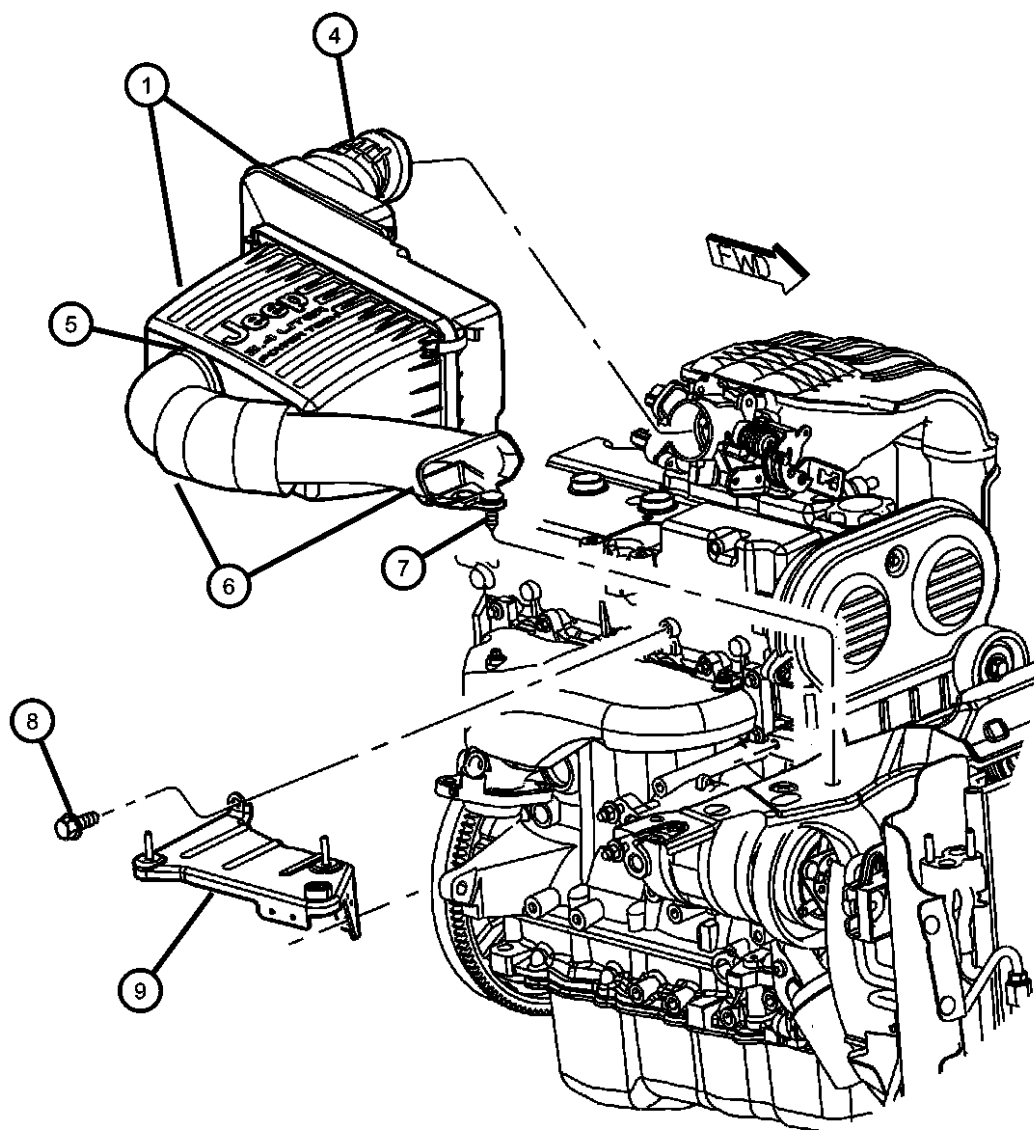
ENGINE	TRANSMISSION
ED1 = Engine - 2.4L 4 Cyl DOHC 16v SMPI	DDD = Transmission - 5-Speed HD Manual
EKG = Engine - 3.7L V6 Turbo Diesel	DDK = Transmission - 5-Speed HD Manual
ENJ = Engine -2.5L 4 Cyl 16V Turbo Diesel	DG4 = Transmission-Multi-Speed Auto, 45RFE
ENR = Engine - 2.8L 4 Cyl Turbo Diesel	DG6 = Transmission-4-Spd. Automatic, 42RLE
EN0 = 4Cyl Turbo Diesel	DGQ = Transmission-5-Spd Automatic 5-45RFE
EK0 = All 3.7L	DBB = All Manual Transmissions
ED0 = All 2.4L	DG0 = All Automatic Transmissions

AR = use ase required - = Non illustrated part

2004 KJ

Air Cleaner, 2.4L [ED1]

Figure 14-810



ITEM	PART NUMBER	QTY	LINE	SERIES	BODY	ENGINE	TRANS	TRIM	DESCRIPTION
Note; Sales Codes									
[ED0]= All 2.2L, 2.5L, 2.4L, 4 Cylinder Gas Engines									
1	53013671AA	1				ED0			BODY, Air Cleaner
-2	05019443AA	1				ED0			FILTER, Air
-3	53013093AA	1				ED0			TUBE, Crankcase Vent To Air Cleaner
4	53013475AA	1				ED0			CLAMP, Hose to Throttle Body
5	53013476AA	1				ED0			CLAMP, Hose to Air Cleaner
6	53013101AB	1				ED0			INLET, Fresh Air
7	06036456AA	1				ED0			RIVET
8	06503692	2				ED0			SCREW, M8-1.25
9	53013473AA	1				ED0			BRACKET, Air Cleaner
-10	53013357AA	1				ED0			GROMMET, Air Cleaner
-11	04669177	2				ED0, EK0			GROMMET, Air Cleaner Bracket

LIBERTY (KJ)

SERIES	LINE	BODY	ENGINE	TRANSMISSION
P = Limited	J = LHD (4WD)	74 = 4 Door (104.3 WB)	ED1 = Engine - 2.4L 4 Cyl DOHC 16v SMPI	DDD = Transmission - 5-Speed HD Manual
H = Sport	U = RHD (4WD)		EKG = Engine - 3.7L V6	DDK = Transmission - 5-Speed HD Manual
M = Renegade	T = LHD (2WD)		ENJ = Engine -2.5L 4 Cyl 16V Turbo Diesel	DG4 = Transmission-Multi-Speed Auto, 45RFE
			ENR = Engine - 2.8L 4 Cyl Turbo Diesel	DG6 = Transmission-4-Spd. Automatic, 42RLE
			ENO = 4Cyl Turbo Diesel	DGQ = Transmission-5-Spd Automatic 5-45RFE
			EK0 = All 3.7L	DBB = All Manual Transmissions
			ED0 = All 2.4L	DG0 = All Automatic Transmissions

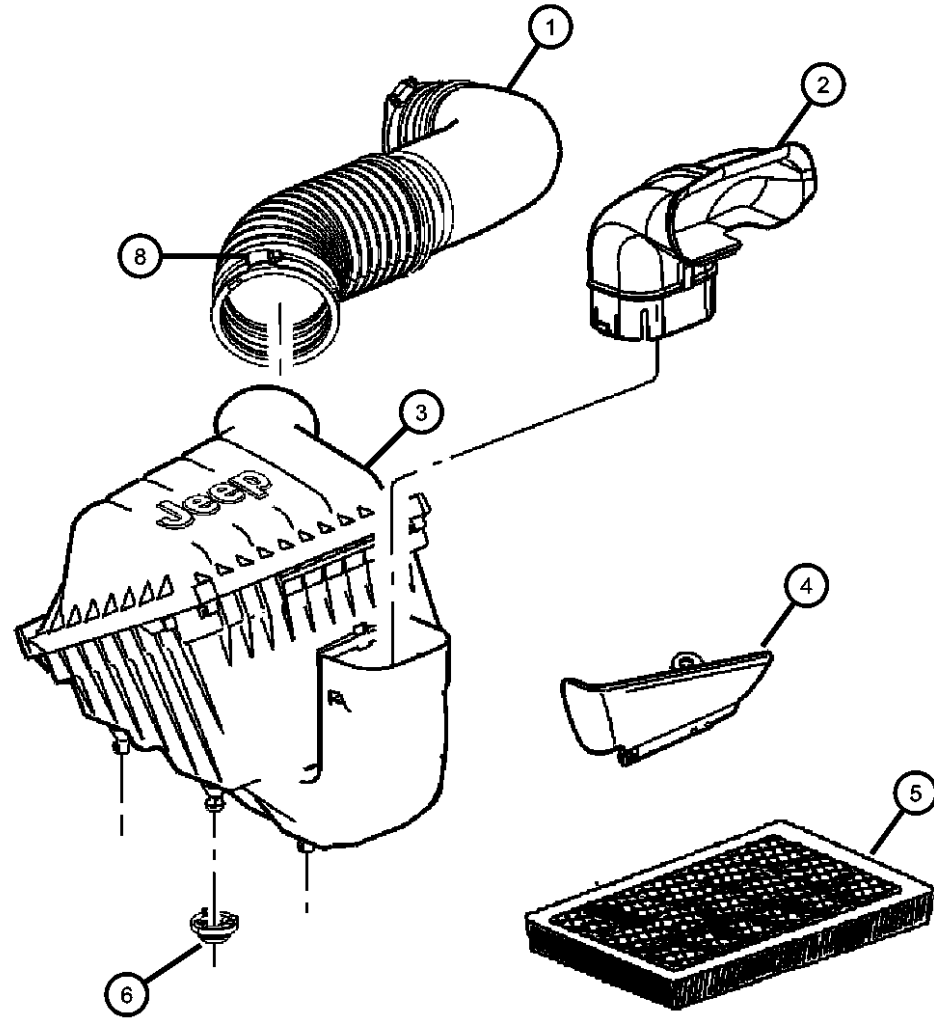
AR = use ase required - = Non illustrated part

**Air Cleaner, 3.7L [EKG]
Figure 14-820**

ITEM	PART NUMBER	QTY	LINE	SERIES	BODY	ENGINE	TRANS	TRIM	DESCRIPTION
------	-------------	-----	------	--------	------	--------	-------	------	-------------

Note; Sales Codes
[EK0]= All 3.7L, 6 Cylinder Gas Engines
[EN0]= All 4/5 Cylinder Turbo Diesels

1	53013724AA	1				EK0			HOSE, Air Cleaner
2	53013103AA	1				EK0, EN0			INLET, Fresh Air
3	53013727AA	1				EK0			AIR CLEANER
4	53013509AA	1				EK0, EN0			BAFFLE, Air Inlet
5	05018777AA	1				EK0			FILTER, Air
6	53013357AA	3				EK0, EN0			GROMMET, Air Cleaner
-7	06036456AA	1				EK0, EN0			RIVET
8	53013726AA	1				EK0			CLAMP, Hose to Air Cleaner



3.7L

LIBERTY (KJ)

SERIES	LINE
P = Limited	J = LHD (4WD)
H = Sport	U = RHD (4WD)
M = Renegade	T = LHD (2WD)

BODY
74 = 4 Door (104.3 WB)

ENGINE
ED1 = Engine - 2.4L 4 Cyl DOHC 16v SMPI
EKG = Engine - 3.7L V6
ENJ = Engine -2.5L 4 Cyl 16V Turbo Diesel
ENR = Engine - 2.8L 4 Cyl Turbo Diesel
EN0 = 4Cyl Turbo Diesel
EK0 = All 3.7L
ED0 = All 2.4L

TRANSMISSION
DDD = Transmission - 5-Speed HD Manual
DDK = Transmission - 5-Speed HD Manual
DG4 = Transmission-Multi-Speed Auto, 45RFE
DG6 = Transmission-4-Spd. Automatic, 42RLE
DGQ = Transmission-5-Spd Automatic 5-45RFE
DBB = All Manual Transmissions
DG0 = All Automatic Transmissions

AR = use ase required - = Non illustrated part

2004 KJ

**Air Cleaner, 2.8L [EN0]
Figure 14-830**

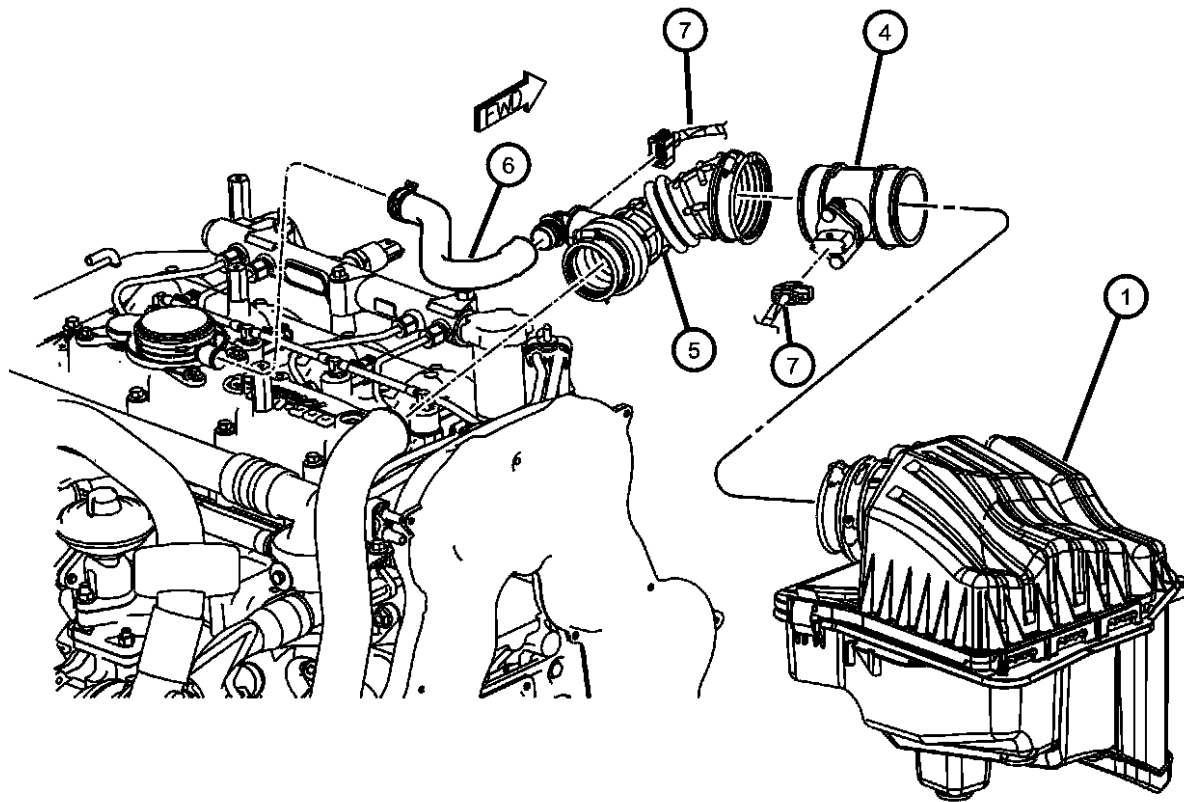
ITEM	PART NUMBER	QTY	LINE	SERIES	BODY	ENGINE	TRANS	TRIM	DESCRIPTION
------	-------------	-----	------	--------	------	--------	-------	------	-------------

Note; Sales Codes

[EK0]= All 3.7L, 6 Cylinder Gas Engines

[EN0]= All 2.8L 4 Cylinder Turbo Diesels

1	53013107AB	1				EN0			AIR CLEANER
-2	05018777AA	1				EN0			FILTER, Air
-3	53013103AA	1				EK0, EN0			INLET, Fresh Air
4	53013103AA	1							SENSOR PACKAGE, Air Flow Meter, (NOT SERVICED)
5	53013104AB	1				EN0			HOSE, Clean Air
6	53013094AC	1				EN0			HOSE, Separator To Air Cleaner
7	53013094AC	1							WIRING, Engine, See Group 8, (NOT SERVICED)



LIBERTY (KJ)

SERIES

P = Limited
H = Sport
M = Renegade

LINE

J = LHD (4WD)
U = RHD (4WD)
T = LHD (2WD)

BODY

74 = 4 Door (104.3 WB)

ENGINE

ED1 = Engine - 2.4L 4 Cyl
DOHC 16v SMPI
EKG = Engine - 3.7L V6
ENJ = Engine -2.5L 4 Cyl 16V
Turbo Diesel
ENR = Engine - 2.8L 4 Cyl
Turbo Diesel
EN0 = 4Cyl Turbo Diesel
EK0 = All 3.7L
ED0 = All 2.4L

TRANSMISSION

DDD = Transmission - 5-Speed HD
Manual
DDK = Transmission - 5-Speed HD
Manual
DG4 = Transmission-Multi-Speed
Auto, 45RFE
DG6 = Transmission-4-Spd.
Automatic, 42RLE
DGQ = Transmission-5-Spd Automatic
5-45RFE
DBB = All Manual Transmissions
DG0 = All Automatic Transmissions

AR = use ase required - = Non illustrated part

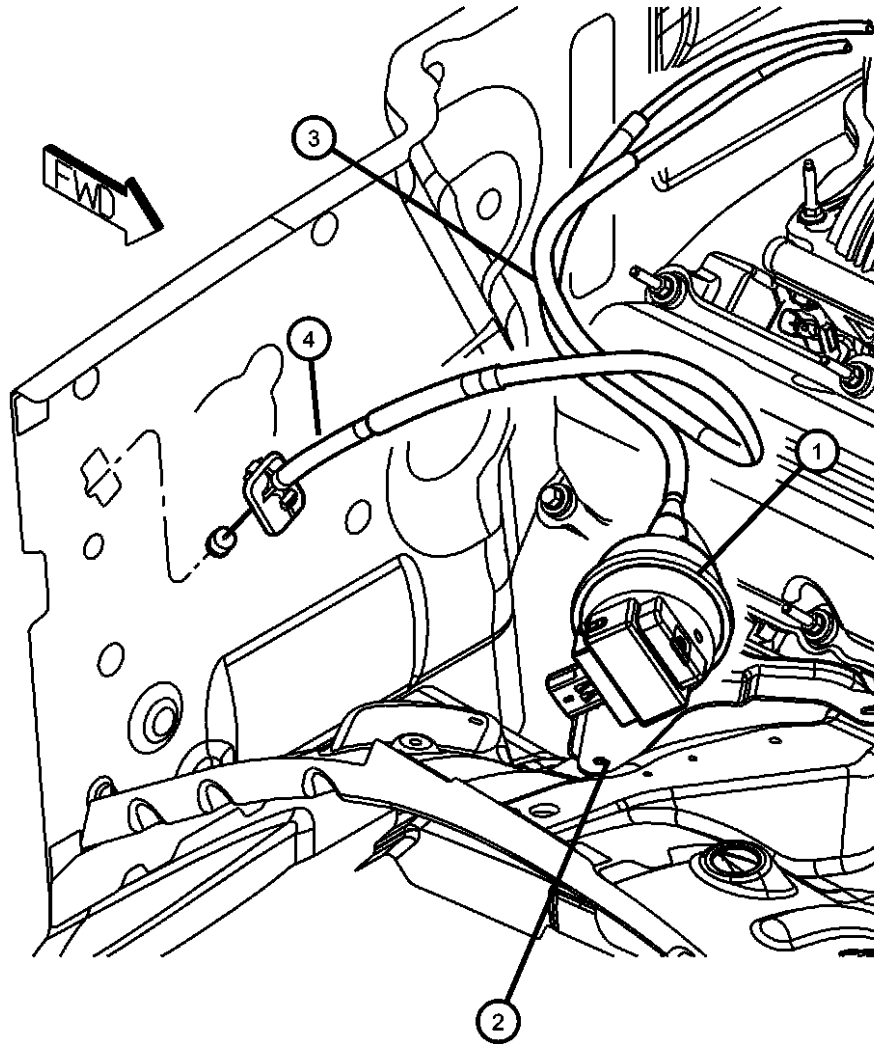
2004 KJ

**Speed Control
Figure 14-1010**

ITEM	PART NUMBER	QTY	LINE	SERIES	BODY	ENGINE	TRANS	TRIM	DESCRIPTION
------	-------------	-----	------	--------	------	--------	-------	------	-------------

Note; Sales Codes
 [ED0]= All 2.2L, 2.5L, 2.4L, 4 Cylinder Gas Engines
 [EKG]= 3.7L Power Tech V-6
 [EK0]= All 3.7L 6 Cylinder Gas Engines

1	04669979	1				ED0			SERVO, Speed Control
2	53013348AA	1				ED0			BRACKET, Speed Control Servo
3									CABLE, Speed Control
	53013346AB	1				ED0			
	53013367AD	1				EK0			
4									CABLE, Accelerator
	53013136AD	1		J, T		EKG			
	53013137AB	1		J, T		ED0			
	53013138AC	1		U		EKG			
-5	53013347AB	1				ED0			HARNESSES, Speed Control Vacuum
-6	06502493	2				ED0			NUT, Hex Flange Serration, M6x1
-7	06025867	1				ED0			CLIP, Cable to Servo Attach
-8	55037536AB	1							RESERVOIR, Speed Control Vacuum



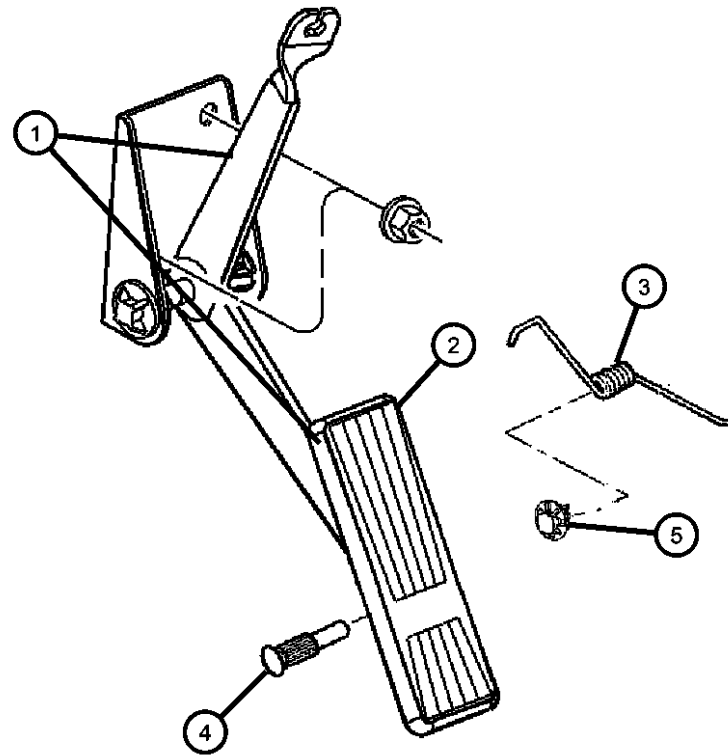
LIBERTY (KJ)

SERIES	LINE	BODY	ENGINE	TRANSMISSION
P = Limited	J = LHD (4WD)	74 = 4 Door (104.3 WB)	ED1 = Engine - 2.4L 4 Cyl DOHC 16v SMPI	DDD = Transmission - 5-Speed HD Manual
H = Sport	U = RHD (4WD)		EKG = Engine - 3.7L V6	DDK = Transmission - 5-Speed HD Manual
M = Renegade	T = LHD (2WD)		ENJ = Engine -2.5L 4 Cyl 16V Turbo Diesel	DG4 = Transmission-Multi-Speed Auto, 45RFE
			ENR = Engine - 2.8L 4 Cyl Turbo Diesel	DG6 = Transmission-4-Spd. Automatic, 42RLE
			EN0 = 4Cyl Turbo Diesel	DGQ = Transmission-5-Spd Automatic 5-45RFE
			EK0 = All 3.7L	DBB = All Manual Transmissions
			ED0 = All 2.4L	DG0 = All Automatic Transmissions

AR = use ase required - = Non illustrated part

2004 KJ

**Accelerator Pedal
Figure 14-1110**



ITEM	PART NUMBER	QTY	LINE	SERIES	BODY	ENGINE	TRANS	TRIM	DESCRIPTION
Note; Sales Codes [ED0]= All 2.2L, 2.5L, 2.4L, 4 Cylinder Gas Engines [EK0]= All 3.7L 6 Cylinder Gas Engines [EN0]= All 4/5 Cylinder Turbo Diesels									
1									PEDAL, Accelerator
	53013527AA	1	J, T			ED0, EK0, EN0			
	53013528AA	1	U			ED0, EK0, EN0			
2									PAD, Accelerator Pedal, Also Serviced In Item 1
	53003932AB	1	J, T			ED0, EK0, EN0			
		1	U			ED0, EK0, EN0			
3									SPRING, Accelerator Pedal Return, Also Serviced In Item 1
	52078168	1	J, T			ED0, EK0, EN0			
		1	U			ED0, EK0, EN0			
4									PIN, Accelerator Pedal Mtg., Also Serviced In Item 1
	J3220231	1	J, T			ED0, EK0, EN0			
		1	U			ED0, EK0, EN0			
5									BUSHING, Accelerator Pedal, Also Serviced In Item 1
	52078653	2	J, T			ED0, EK0, EN0			
		2	U			ED0, EK0, EN0			
-6		2							NUT, (NOT SERVICED)

LIBERTY (KJ)

SERIES

P = Limited
H = Sport
M = Renegade

LINE

J = LHD (4WD)
U = RHD (4WD)
T = LHD (2WD)

BODY

74 = 4 Door (104.3 WB)

ENGINE

ED1 = Engine - 2.4L 4 Cyl
DOHC 16v SMPI
EK0 = Engine - 3.7L V6
ENJ = Engine -2.5L 4 Cyl 16V
Turbo Diesel
ENR = Engine - 2.8L 4 Cyl
Turbo Diesel
EN0 = 4Cyl Turbo Diesel
EK0 = All 3.7L
ED0 = All 2.4L

TRANSMISSION

DDD = Transmission - 5-Speed HD
Manual
DDK = Transmission - 5-Speed HD
Manual
DG4 = Transmission-Multi-Speed
Auto, 45RFE
DG6 = Transmission-4-Spd.
Automatic, 42RLE
DGQ = Transmission-5-Spd Automatic
5-45RFE
DBB = All Manual Transmissions
DG0 = All Automatic Transmissions

Group - 16

Propeller Shafts and U-Joints

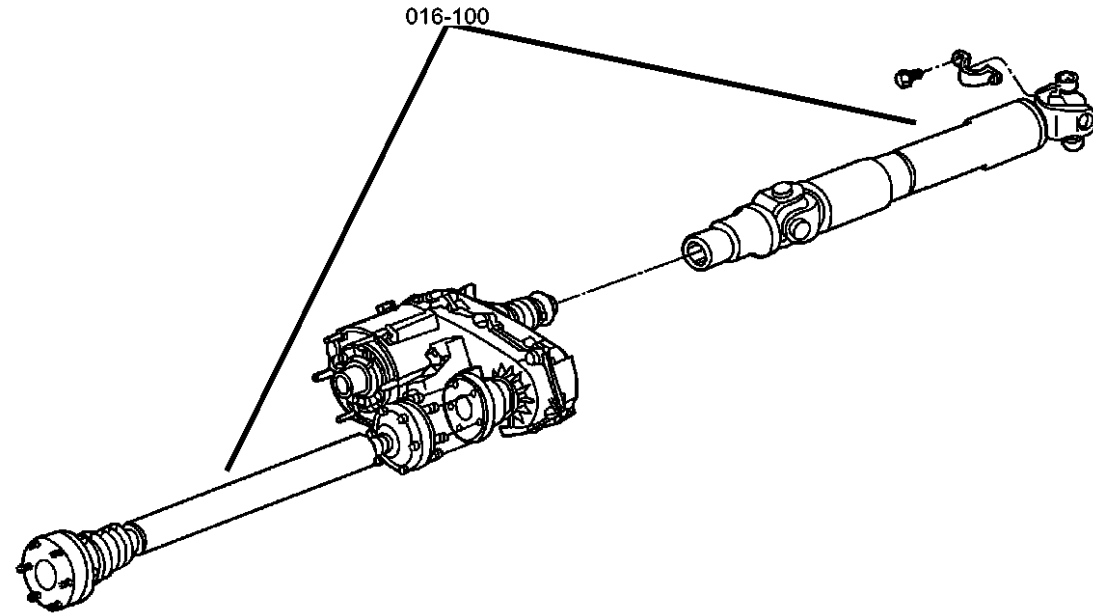
Group - 16 Propeller Shafts and U-Joints

Illustration Title

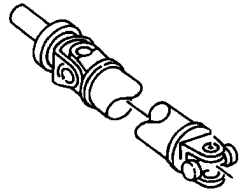
Group-Fig. No.

Propeller Shaft

Propeller Shaft, 2 Wheel Drive..... Fig. 16 - 110
 Propeller Shaft, 4 Wheel Drive..... Fig. 16 - 120



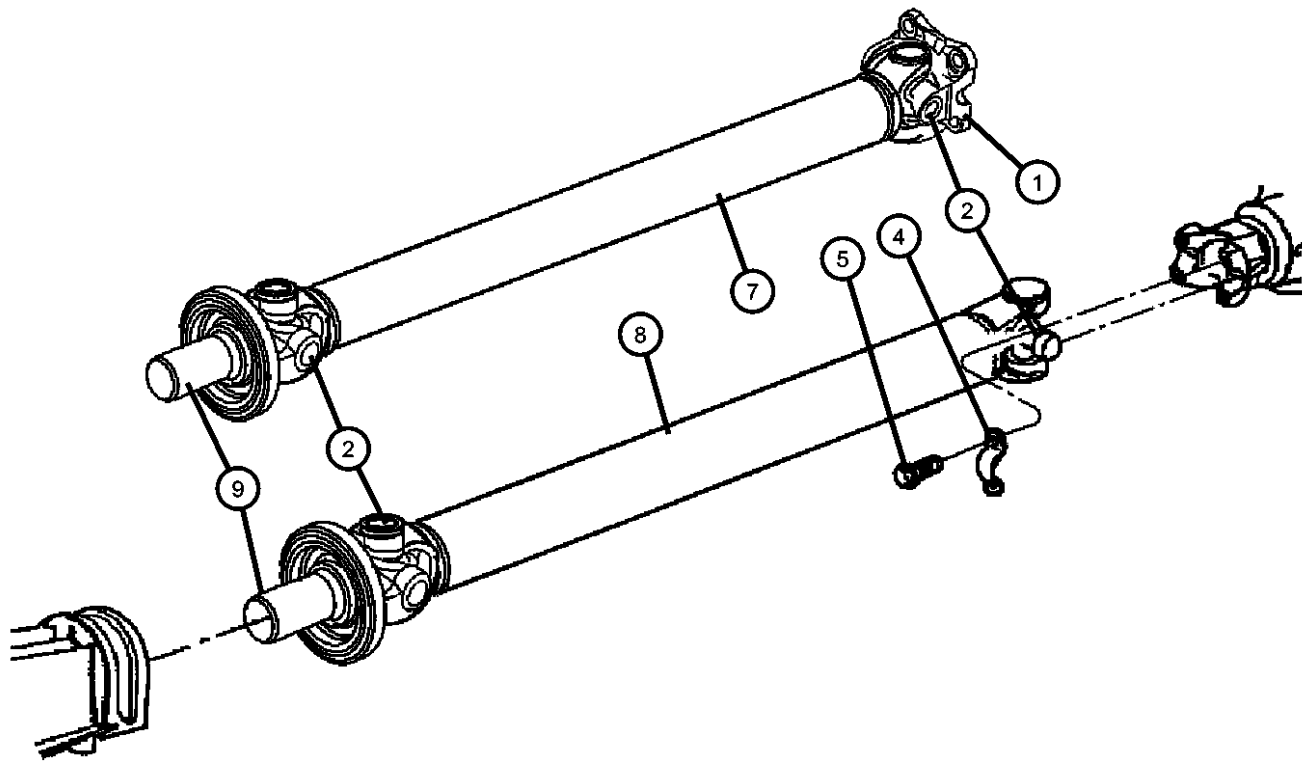
016-100
Propeller Shaft



**Propeller Shaft,2 Wheel Drive
Figure 16-110**

ITEM	PART NUMBER	QTY	LINE	SERIES	BODY	ENGINE	TRANS	TRIM	DESCRIPTION
------	-------------	-----	------	--------	------	--------	-------	------	-------------

Note:Sales Codes
 [DBB]=Transmissions - All Manual
 [DG0]=Transmissions - All Automatic
 [DG6]=Transmission - 4-Speed Automatic, 42RL
 [ED0]=Engines - All 2.2, 2.5, 2.4L 4 Cylinder Gas
 [EK0]=Engines - All 3.7L 6 Cylinder Gas



1									FLANGE, Drive Shaft
	05103372AA	1	T			EK0	DBB		Rear
		1	T			ED0	DBB		Rear
2									U JOINT
	05015694AA	2	T			ED0	DBB		Front or Rear
		2	T			EK0	DBB		Front or Rear
		2	T			EK0	DG6		Front or Rear
-3									RING, U Joint
	J3207886	4	T			ED0	DBB		Front or Rear
		4	T			EK0	DG6		Front or Rear
		4	T			EK0	DBB		Front or Rear
4	J3240553	2					DD0, DGQ		STRAP, Prop ShaftMounting
5	J4006928	4					DD0, DGQ		BOLT, Prop Shaft, Mounting
-6	06506497AA	4					DG6		BOLT, Hex Head, M12, Prop Shaft, Mounting
7									SHAFT, Drive, Rear 1-Piece
	52853126AA	1	T			ED0	DBB		
	52853127AA	1	T			EK0	DBB		
8	52853118AB	1	T			EK0	DG6		SHAFT, Drive, Rear 1-Piece
9									YOKE, Drive Shaft
	05073280AA	1	T			ED0	DBB		
	05093963AA	1	T			EK0	DBB		
	05103210AA	1	T			EK0	DG6		

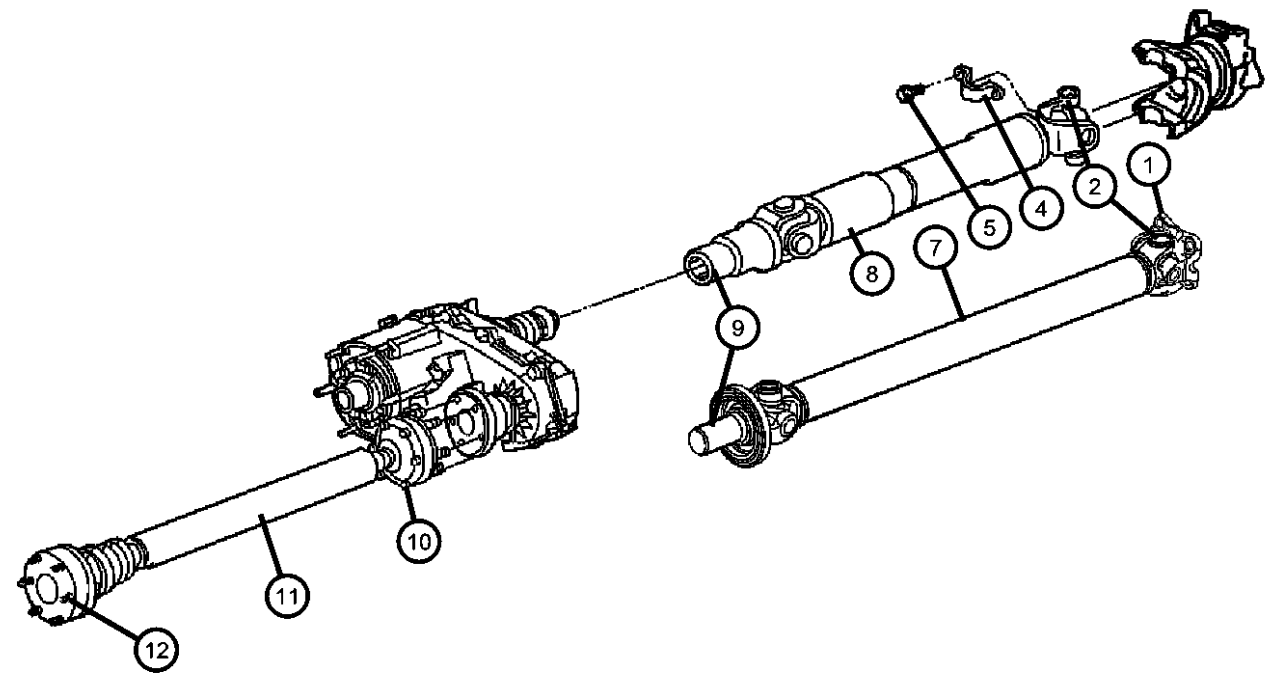
LIBERTY (KJ)

SERIES	LINE	BODY	ENGINE	TRANSMISSION
P = Limited	J = LHD (4WD)	74 = 4 Door (104.3 WB)	ED1 = Engine - 2.4L 4 Cyl DOHC 16v SMPI	DDD = Transmission - 5-Speed HD Manual
H = Sport	U = RHD (4WD)		EKG = Engine - 3.7L V6	DDK = Transmission - 5-Speed HD Manual
M = Renegade	T = LHD (2WD)		ENJ = Engine -2.5L 4 Cyl 16V Turbo Diesel	DG4 = Transmission-Multi-Speed Auto, 45RFE
			ENR = Engine - 2.8L 4 Cyl Turbo Diesel	DG6 = Transmission-4-Spd. Automatic, 42RLE
			ENO = 4Cyl Turbo Diesel	DGQ = Transmission-5-Spd Automatic 5-45RFE
			EK0 = All 3.7L	DBB = All Manual Transmissions
			ED0 = All 2.4L	DG0 = All Automatic Transmissions

AR = use ase required - = Non illustrated part

2004 KJ

**Propeller Shaft,4 Wheel Drive
Figure 16-120**



ITEM	PART NUMBER	QTY	LINE	SERIES	BODY	ENGINE	TRANS	TRIM	DESCRIPTION
									Note:Sales Codes Note:Items 10,12 that one part number consists of 2 bolts and 1 strap [DBB]=Transmissions - All Manual [DG0]= Transmissions - All Automatic [DG6]=Transmission - 4-Speed Automatic, 42RL [ED0]=Engines - All 2.2L,2.5L,2.4L 4 CYL GA [EK0]=Engines - All 3.7L 6 Cylinder Gas [EN0]=Engines - All 4/5 Cylinder Turbo Diesel
1									FLANGE, Drive Shaft
	05103372AA	1	J, U			EN0	DG0		Rear
		1	J, U			EN0	DBB		Rear
		1	J, U			EK0	DBB		Rear
		1	J, U			ED0	DBB		Rear
2									U JOINT
	05015694AA	2	J, U			ED0	DBB		Front or Rear
		2	J, U			EK0	DBB		Front or Rear
		2	J, U			EN0	DBB		Front or Rear
		1	J, U			EN0	DG0		Front or Rear
		2	J, U			EK0	DG6		Front or Rear
-3									RING, U Joint
	J3207886	4	J, U			ED0	DBB		
		4	J, U			EK0	DBB		
		4	J, U			EN0	DBB		
		4	J, U			EN0	DG0		
		8	J, U			EK0	DG6		
4	J3240553	2					DD0, DGQ		STRAP, Prop Shaft
5	J4006928	4					DD0, DGQ		BOLT, Prop Shaft, Mounting
-6	06506497AA	4					DG6		BOLT, Hex Head, M12, Prop Shaft Rear, Mounting
7									SHAFT, Drive, Rear 1-Piece
	52853125AA	1	J, U			ED0	DBB		
	52853128AA	1	J, U			EK0	DBB		
	52853129AA	1	J, U			EN0	DBB		

LIBERTY (KJ)

SERIES

P = Limited
H = Sport
M = Renegade

LINE

J = LHD (4WD)
U = RHD (4WD)
T = LHD (2WD)

BODY

74 = 4 Door (104.3 WB)

ENGINE

ED1 = Engine - 2.4L 4 Cyl
DOHC 16v SMPI
EKG = Engine - 3.7L V6
ENJ = Engine -2.5L 4 Cyl 16v
Turbo Diesel
ENR = Engine - 2.8L 4 Cyl
Turbo Diesel
EN0 = 4Cyl Turbo Diesel
EK0 = All 3.7L
ED0 = All 2.4L

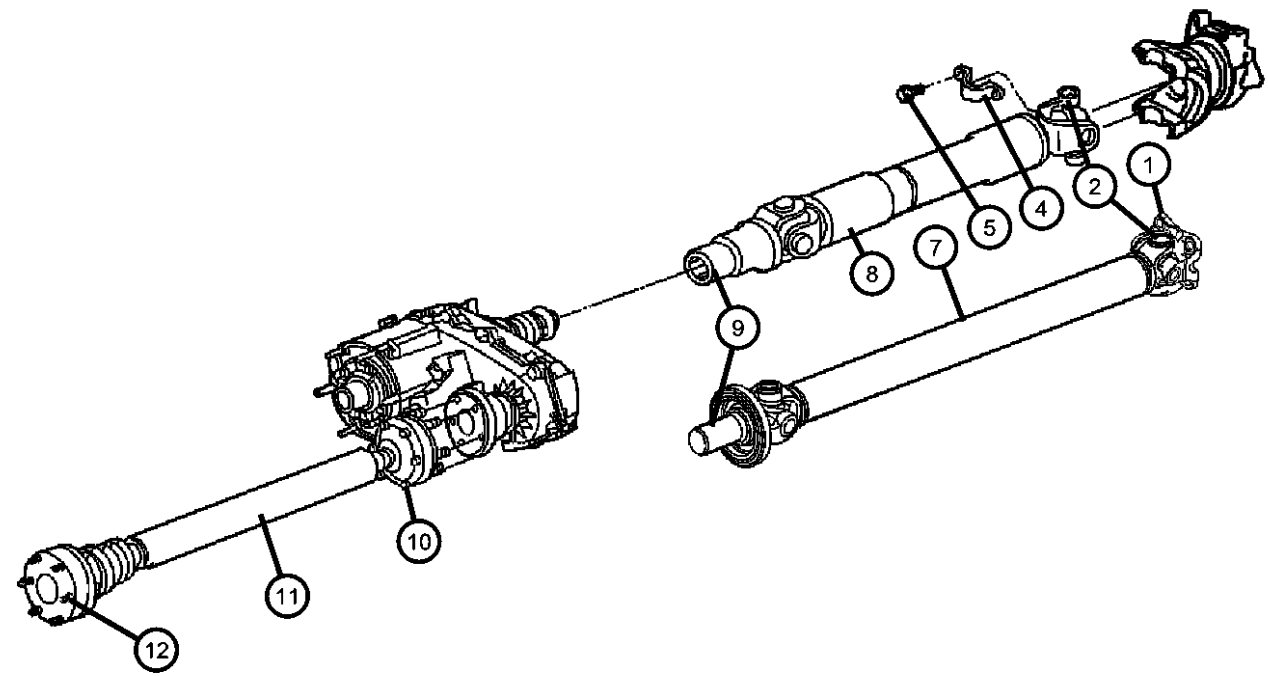
TRANSMISSION

DDD = Transmission - 5-Speed HD
Manual
DDK = Transmission - 5-Speed HD
Manual
DG4 = Transmission-Multi-Speed
Auto, 45RFE
DG6 = Transmission-4-Spd.
Automatic, 42RLE
DGQ = Transmission-5-Spd Automatic
5-45RFE
DBB = All Manual Transmissions
DG0 = All Automatic Transmissions

AR = use ase required - = Non illustrated part

2004 KJ

**Propeller Shaft,4 Wheel Drive
Figure 16-120**



ITEM	PART NUMBER	QTY	LINE	SERIES	BODY	ENGINE	TRANS	TRIM	DESCRIPTION
	52853130AA	1	J, U			EN0	DG0		
8	52853119AB	1	J, U			EK0	DG6		SHAFT, Drive, Rear 1-Piece
9									YOKE, Drive Shaft
	05073275AA	1	J, U			ED0	DBB		
		1	J, U			EN0	DBB		
	05093960AA	1	J, U			EK0	DBB		
	05093961AB	1	J, U			EK0	DG6		
	05103373AA	1	J, U			EN0	DG0		
10									BOLT AND WASHER, Part Number Has 1 strap and 2 Bolts
	05015109AA	3	J, U			EN0	DBB		To Transfer Case, Rear
		3	J, U			EN0	DG0		To Transfer Case, Rear
		3	J, U			ED0	DBB		To Transfer Case, Rear
		3	J, U			EK0	DBB, DG6		To Transfer Case, Rear
11									SHAFT, Drive, Front
	52111591AA	1	J, U			EN0	DBB		
	52111593AA	1	J, U			EN0	DG0		
	52111594AA	1	J, U			ED0	DBB		
	52111596AA	1	J, U			EK0	DBB, DG6		
12									BOLT AND WASHER, Part Number Has 1 strap and 2 Bolts
	05015996AA	3	J, U			EN0	DBB		To Front Axle, Front
		3	J, U			EN0	DG0		To Front Axle, Front
		3	J, U			ED0	DBB		To Front Axle, Front
		3	J, U			EK0	DBB, DG6		To Front Axle, Front

LIBERTY (KJ)

SERIES

P = Limited
H = Sport
M = Renegade

LINE

J = LHD (4WD)
U = RHD (4WD)
T = LHD (2WD)

BODY

74 = 4 Door (104.3 WB)

ENGINE

ED1 = Engine - 2.4L 4 Cyl
DOHC 16v SMPI
EKG = Engine - 3.7L V6
ENJ = Engine -2.5L 4 Cyl 16V
Turbo Diesel
ENR = Engine - 2.8L 4 Cyl
Turbo Diesel
EN0 = 4Cyl Turbo Diesel
EK0 = All 3.7L
ED0 = All 2.4L

TRANSMISSION

DDD = Transmission - 5-Speed HD
Manual
DDK = Transmission - 5-Speed HD
Manual
DG4 = Transmission-Multi-Speed
Auto, 45RFE
DG6 = Transmission-4-Spd.
Automatic, 42RLE
DGQ = Transmission-5-Spd Automatic
5-45RFE
DBB = All Manual Transmissions
DG0 = All Automatic Transmissions

AR = use ase required - = Non illustrated part

2004 KJ

Group - 17

Rear Suspension

Group - 17 Rear Suspension

Group-Fig. No.

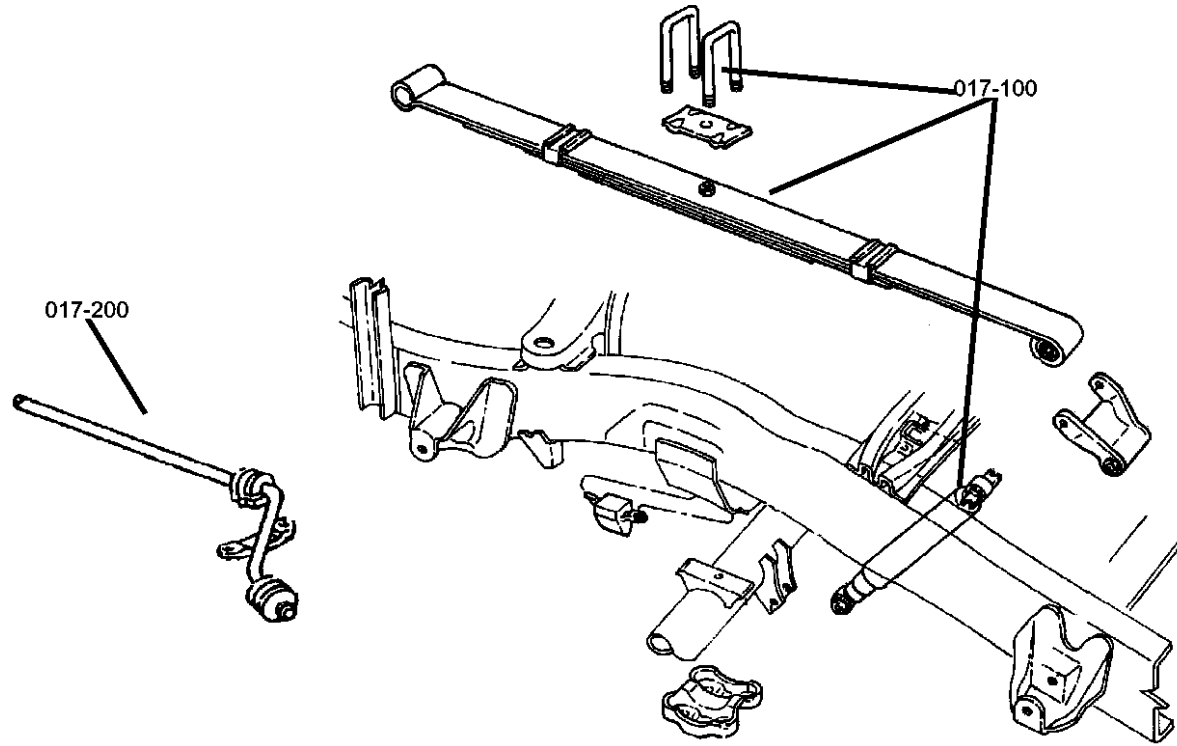
Illustration Title

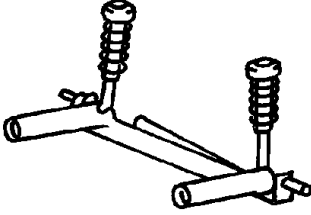
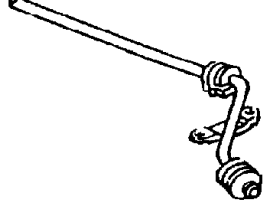
Rear Suspension

Suspension,Rear and ShockFig. 17 - 110

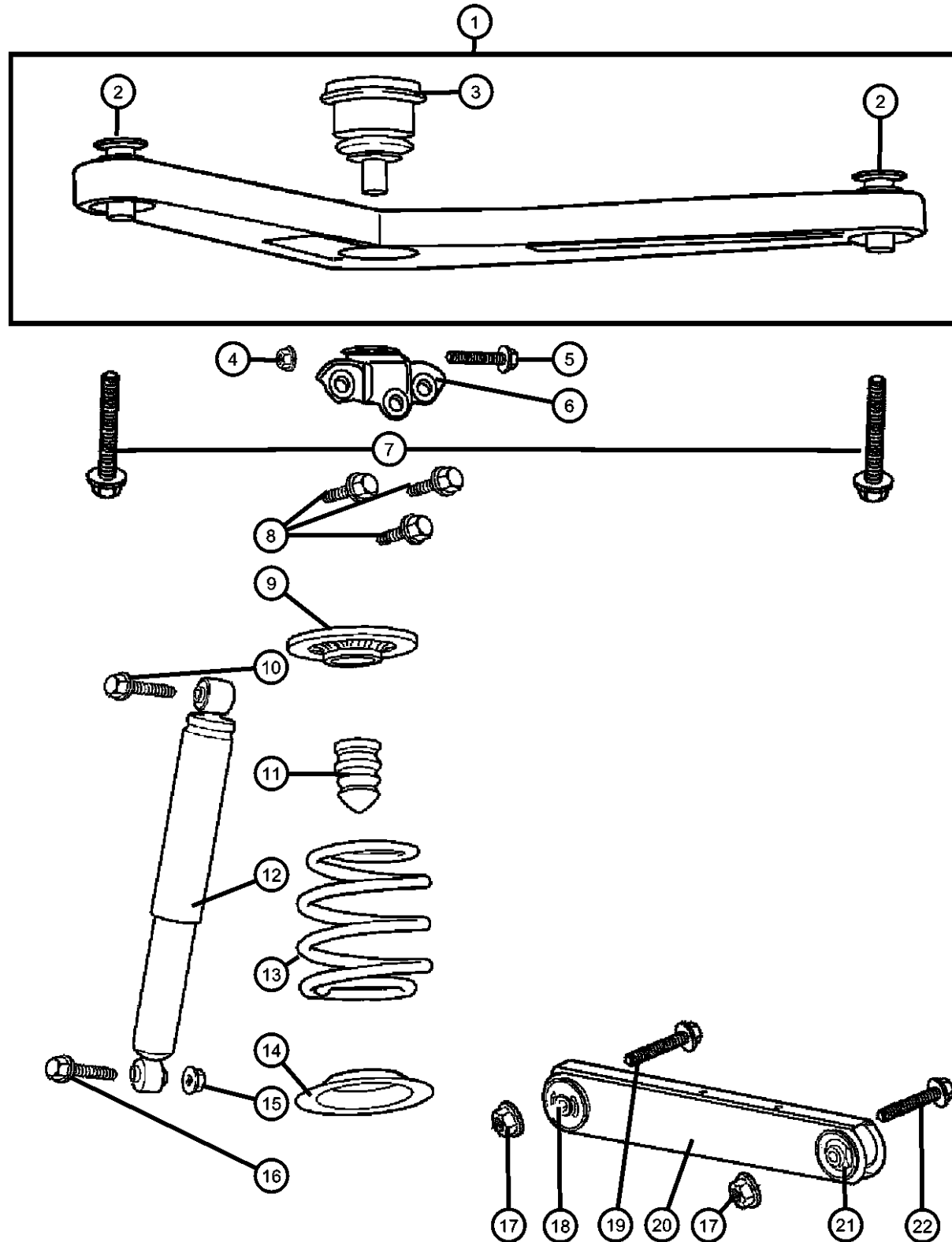
Rear Stabilizer

Stabilizer Bar,RearFig. 17 - 210



<p>017-100 Rear Suspension</p> 	<p>017-200 Rear Stabilizer</p> 		
--	---	--	--

**Suspension,Rear and Shock
Figure 17-110**



ITEM	PART NUMBER	QTY	LINE	SERIES	BODY	ENGINE	TRANS	TRIM	DESCRIPTION
Note:Sales Codes; [ZCT] Through [ZRV] = Spring Sales Codes will be found on Vehicle Identification Number [VIN] Sales Code Listing									
1	52088901AD	1							ARM, Upper Control, Rear, Includes Item 2
2	52088425	2							BUSHING, Control Arm
3	52088647AB	1							BALL JOINT, Upper Control Arm
4	06503711	1							NUT, Hex Flange, M12x1.75, Ball Joint Bracket, Mounting
5	06503610	1							BOLT, Hex Flange Head, M12-1.75x62.0, UCA to Axle Bracket, Mounting
6									BRACKET, Ballstud
	52088875AB	1							[DRJ]
	52128586AA	1							[DRA]
7	06504748	2							SCREW, Hex Flange Head, M12x1.75x117, UCA to Body, Mounting
8	06505445AA	3							BOLT
9	52088707AA	2							ISOLATOR, SpringUpper
10	06506147AA	2							SCREW, Hex Flange Head, M12x1.75x80, Shock Mounting, Upper
11	52088705AC	2							BUMPER, JounceUpper
12	52088673AD	2							SHOCK ABSORBER, Suspension, Rear
	0SGR5284								Rancho Shock
	0SG23161								Mopar V-Line Alternative Part
13									SPRING, Suspension, Rear
	52128869AA	1							[ZCT,ZRT]
	52128870AA	1							[ZCU,ZRU]
	52128871AA	1							[ZCV,ZRV]
	52128872AA	1							[ZCW,ZRW]
14	52128524AA	2							ISOLATOR, SpringLower
15	06502697	2							NUT, Hex Flange Lock, M12x1.75, Shock Mounting, Lower

LIBERTY (KJ)

SERIES	LINE
P = Limited	J = LHD (4WD)
H = Sport	U = RHD (4WD)
M = Renegade	T = LHD (2WD)

BODY
74 = 4 Door (104.3 WB)

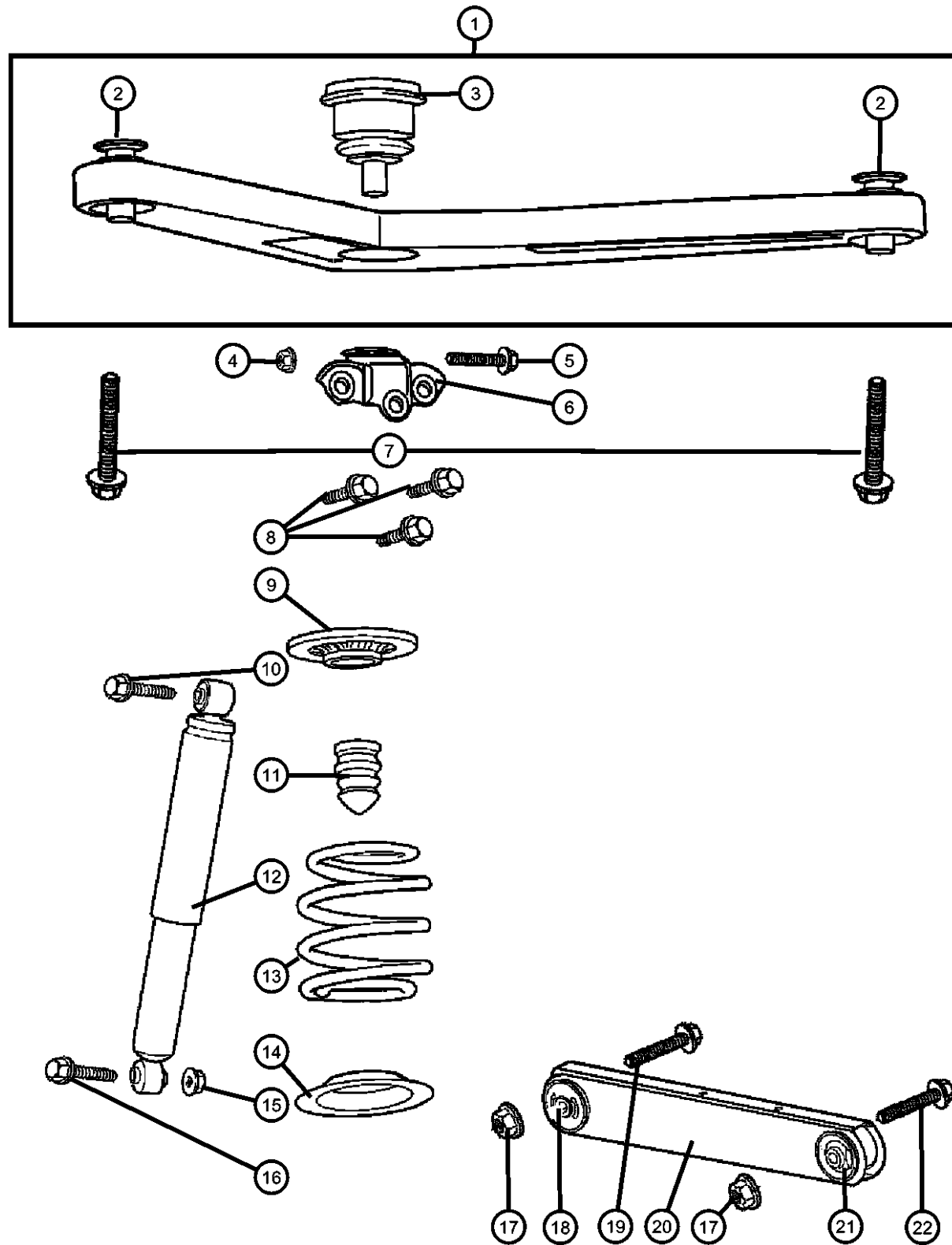
ENGINE
ED1 = Engine - 2.4L 4 Cyl DOHC 16v SMPI
EKG = Engine - 3.7L V6
ENJ = Engine -2.5L 4 Cyl 16v Turbo Diesel
ENR = Engine - 2.8L 4 Cyl Turbo Diesel
ENO = 4Cyl Turbo Diesel
EKO = All 3.7L
EDO = All 2.4L

TRANSMISSION
DDD = Transmission - 5-Speed HD Manual
DDK = Transmission - 5-Speed HD Manual
DG4 = Transmission-Multi-Speed Auto, 45RFE
DG6 = Transmission-4-Spd. Automatic, 42RLE
DGQ = Transmission-5-Spd Automatic 5-45RFE
DBB = All Manual Transmissions
DG0 = All Automatic Transmissions

AR = use ase required - = Non illustrated part

2004 KJ

Suspension,Rear and Shock
Figure 17-110



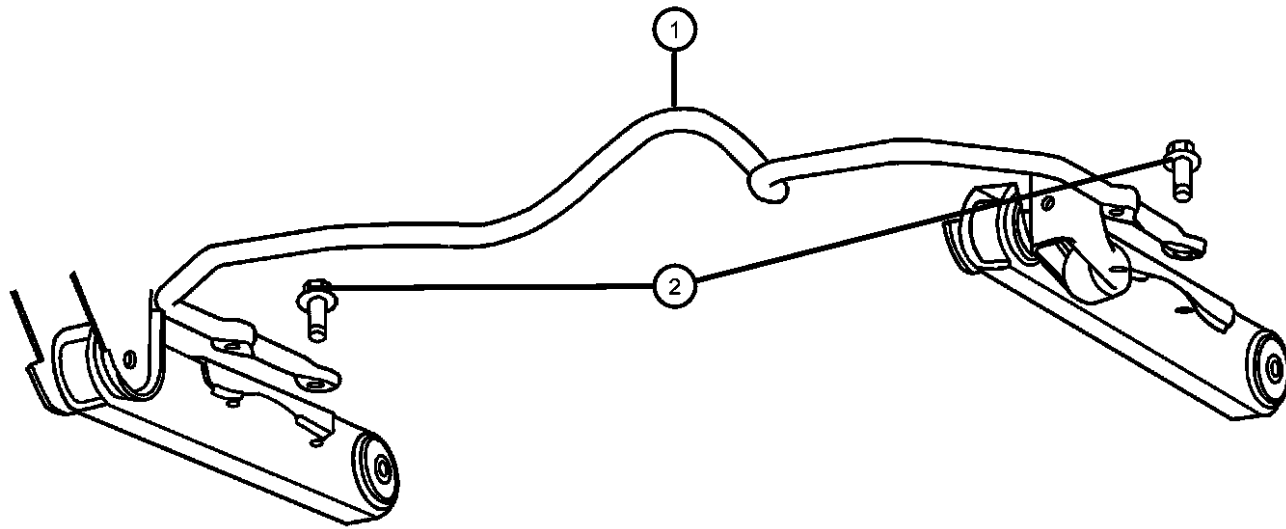
ITEM	PART NUMBER	QTY	LINE	SERIES	BODY	ENGINE	TRANS	TRIM	DESCRIPTION
16	06505935AA	2							SCREW, Shock Mounting, Lower
17									NUT, M14X2
	06102251AA	2							LCA to Body
		2							LCA to Axle
18	52129094AA	2							BUSHING, Control Arm
19	06504408	2							BOLT, LCA to Axle, Mounting
20	52128866AA	2							ARM, Lower Control, Rear, Includes Items 18,21
21	52128864AA	2							BUSHING, Control Arm, LCA to Body, Mounting
22	06506033AA	2							BOLT, Hex Flange Head, LCA to Body, Mounting

LIBERTY (KJ)				
SERIES	LINE	BODY	ENGINE	TRANSMISSION
P = Limited	J = LHD (4WD)	74 = 4 Door (104.3 WB)	ED1 = Engine - 2.4L 4 Cyl DOHC 16v SMPI	DDD = Transmission - 5-Speed HD Manual
H = Sport	U = RHD (4WD)		EKG = Engine - 3.7L V6	DDK = Transmission - 5-Speed HD Manual
M = Renegade	T = LHD (2WD)		ENJ = Engine -2.5L 4 Cyl 16V Turbo Diesel	DG4 = Transmission-Multi-Speed Auto, 45RFE
			ENR = Engine - 2.8L 4 Cyl Turbo Diesel	DG6 = Transmission-4-Spd. Automatic, 42RLE
			ENO = 4Cyl Turbo Diesel	DGQ = Transmission-5-Spd Automatic 5-45RFE
			EK0 = All 3.7L	DBB = All Manual Transmissions
			ED0 = All 2.4L	DG0 = All Automatic Transmissions

AR = use ase required - = Non illustrated part

**Stabilizer Bar,Rear
Figure 17-210**

ITEM	PART NUMBER	QTY	LINE	SERIES	BODY	ENGINE	TRANS	TRIM	DESCRIPTION
1	52088677AA	1							STABILIZER BAR, Rear Suspension
2	06101844	4							SCREW AND WASHER, Hex Head, M12x1.75x50, Stabilizer Bar to LCA, Mounting



LIBERTY (KJ)

SERIES	LINE
P = Limited	J = LHD (4WD)
H = Sport	U = RHD (4WD)
M = Renegade	T = LHD (2WD)

BODY
74 = 4 Door (104.3 WB)

ENGINE
ED1 = Engine - 2.4L 4 Cyl DOHC 16v SMPI
EKG = Engine - 3.7L V6
ENJ = Engine -2.5L 4 Cyl 16V Turbo Diesel
ENR = Engine - 2.8L 4 Cyl Turbo Diesel
ENO = 4Cyl Turbo Diesel
EKO = All 3.7L
EDO = All 2.4L

TRANSMISSION
DDD = Transmission - 5-Speed HD Manual
DDK = Transmission - 5-Speed HD Manual
DG4 = Transmission-Multi-Speed Auto, 45RFE
DG6 = Transmission-4-Spd. Automatic, 42RLE
DGQ = Transmission-5-Spd Automatic 5-45RFE
DBB = All Manual Transmissions
DG0 = All Automatic Transmissions

AR = use ase required - = Non illustrated part

2004 KJ

Group - 19

Steering

Group - 19 Steering

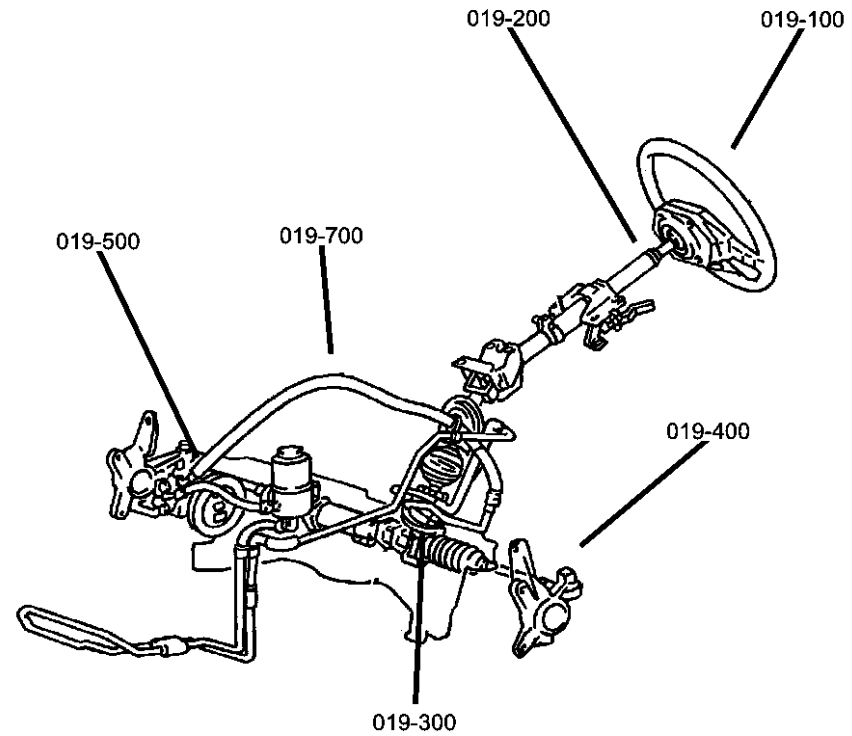


Illustration Title

Group-Fig. No.

Steering Wheel

Steering Wheel Fig. 19 - 110

Steering Column

Column,Steering Fig. 19 - 210

Steering Gear

Gear Assembly, Steering, Rack and Pinion Fig. 19 - 310

Power Steering Pump

Pump,Power Steering,2.4L [ED0] Gas Engine..... Fig. 19 - 510

Pump,Power Steering,2.8L [EN0] Diesel Engine Fig. 19 - 520

Pump,Power Steering,3.7L [EK0] Gas Engine..... Fig. 19 - 530


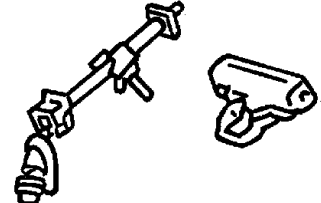
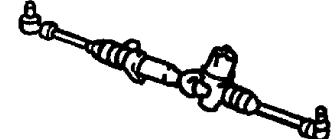
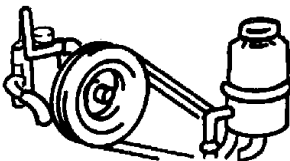
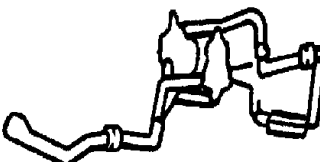
Power Steering Hoses

Hoses and Reservoir,LHD,2.4L [ED0] 2.8L [EN0] Fig. 19 - 710

Hoses and Reservoir, RHD 2.4L [ED0] 2.8L [EN0] Fig. 19 - 720

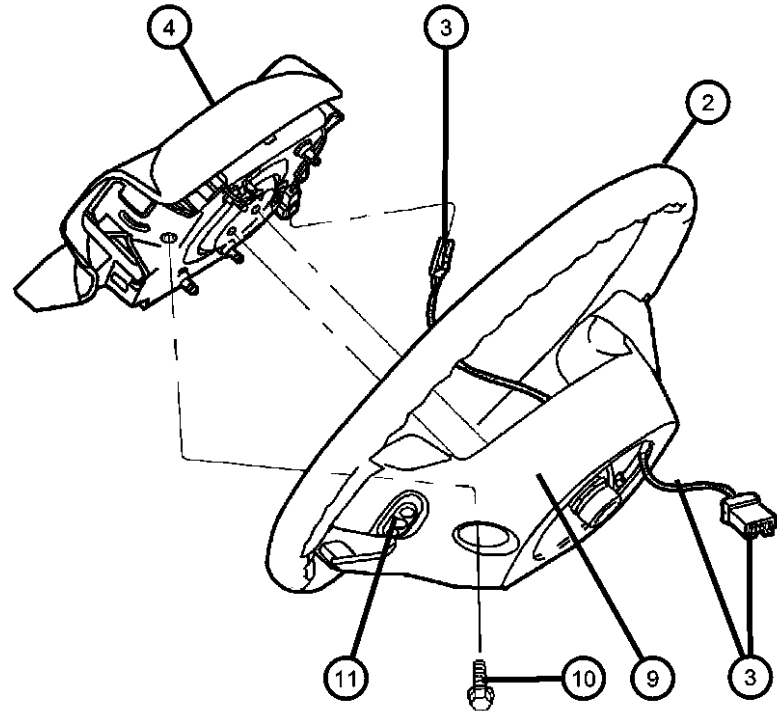
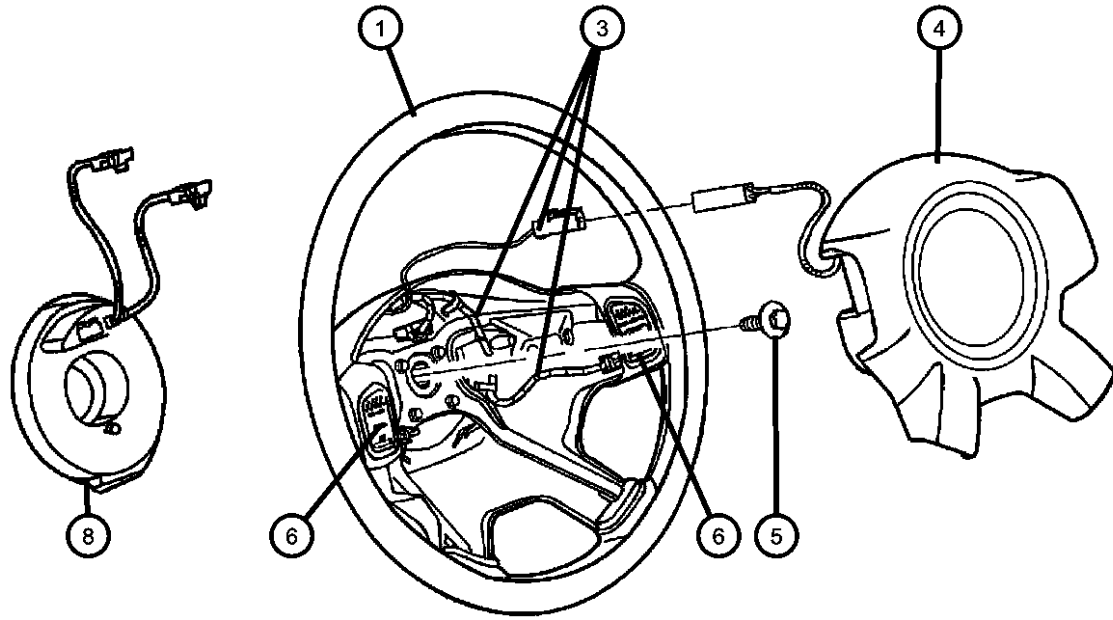
Hoses and Reservoir, LHD, 3.7L [EK0] Fig. 19 - 730

Hoses and Reservoir, RHD, 3.7L [EK0] Fig. 19 - 740

<p>019-100 Steering Wheel</p> 	<p>019-200 Steering Column</p> 	<p>019-300 Steering Gear</p> 	<p>019-500 Power Steering Pump</p> 
<p>019-700 Power Steering Hoses</p> 			

Steering Wheel
Figure 19-110

ITEM	PART NUMBER	QTY	LINE	SERIES	BODY	ENGINE	TRANS	TRIM	DESCRIPTION
------	-------------	-----	------	--------	------	--------	-------	------	-------------



Note: Sales Codes
 [NHM]=Speed Control
 [RDZ]= Audio Controls - Steering Wheel Mounted
 [SCD]= Steering Wheel - Luxury
 [SCG]=Steering Wheel - Leather Wrapped

1	0UR71DX9AC	1							WHEEL, Steering, [SCD]
2	0UR671X9AD	1							WHEEL, Steering, Leather
3									WIRING, Steering Wheel
	56010170AC	1			H, M				[SCG NHM-RDZ]
		1			M, P				[[SCG+NHM+JA2-RDZ]
	56010171AC	1			H, M				[SCG+NHM+RDZ-JA2]
		1			M, P				[SCG+NHM+RDZ+JA2]
4									AIR BAG, Driver
	5JS05DX9AA	1			H, M				
	5JS061X9AB	1			H, M, P				
5	06505656AA	1							SCREW, Hex Flange Head, M10x1.5x35., Steering Wheel to Column, Mounting
6									SWITCH, Speed Control
	56010088AC	1			H, M				Right
	56010089AC	1			H, M				Left
	56010358AB	1			M, P				Right
-7	5GN02DX9AA	1							BEZEL, Steering Wheel, [SCD] Without [NHM], Right
8									CLOCKSPRING
	56010146AF	1							Without [RDZ]
	56010187AG	1							With [RDZ]
9									COVER, Steering Wheel Back
	05083981AA	1			H, M				[SCG+ NHM]
		1			P				
	05086215AA	1			H, M				
		1			P				[SCG+ NHM +RDZ]

LIBERTY (KJ)

SERIES

P = Limited
 H = Sport
 M = Renegade

LINE

J = LHD (4WD)
 U = RHD (4WD)
 T = LHD (2WD)

BODY

74 = 4 Door (104.3 WB)

ENGINE

ED1 = Engine - 2.4L 4 Cyl
 DOHC 16v SMPI
 EKG = Engine - 3.7L V6
 ENJ = Engine -2.5L 4 Cyl 16V
 Turbo Diesel
 ENR = Engine - 2.8L 4 Cyl
 Turbo Diesel
 EN0 = 4Cyl Turbo Diesel
 EK0 = All 3.7L
 ED0 = All 2.4L

TRANSMISSION

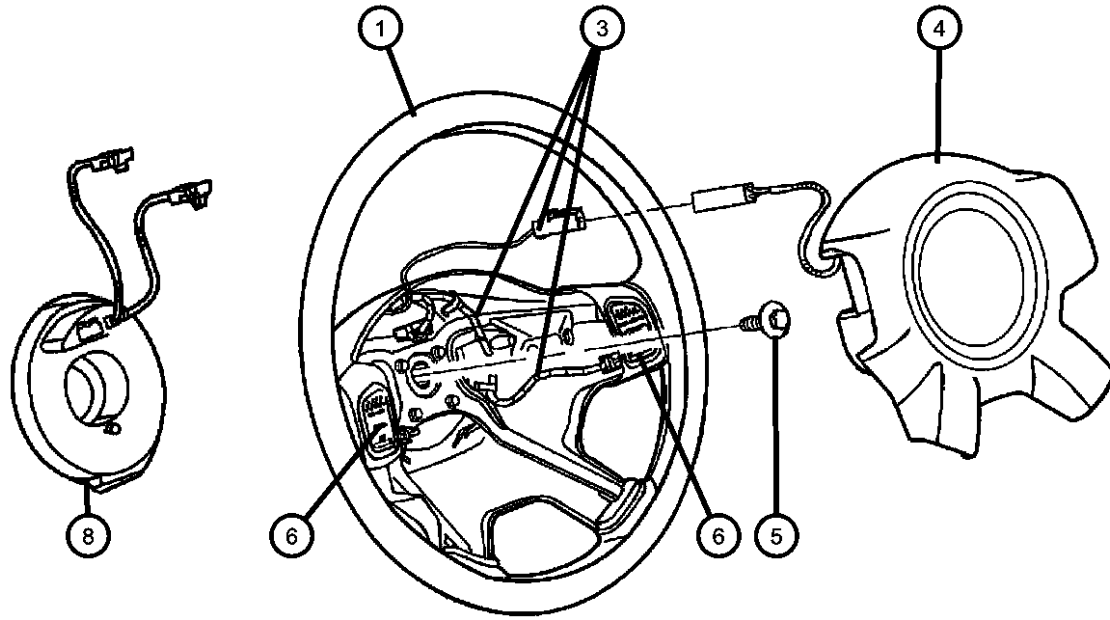
DDD = Transmission - 5-Speed HD
 Manual
 DDK = Transmission - 5-Speed HD
 Manual
 DG4 = Transmission-Multi-Speed
 Auto, 45RFE
 DG6 = Transmission-4-Spd.
 Automatic, 42RLE
 DGQ = Transmission-5-Spd Automatic
 5-45RFE
 DBB = All Manual Transmissions
 DG0 = All Automatic Transmissions

AR = use ase required - = Non illustrated part

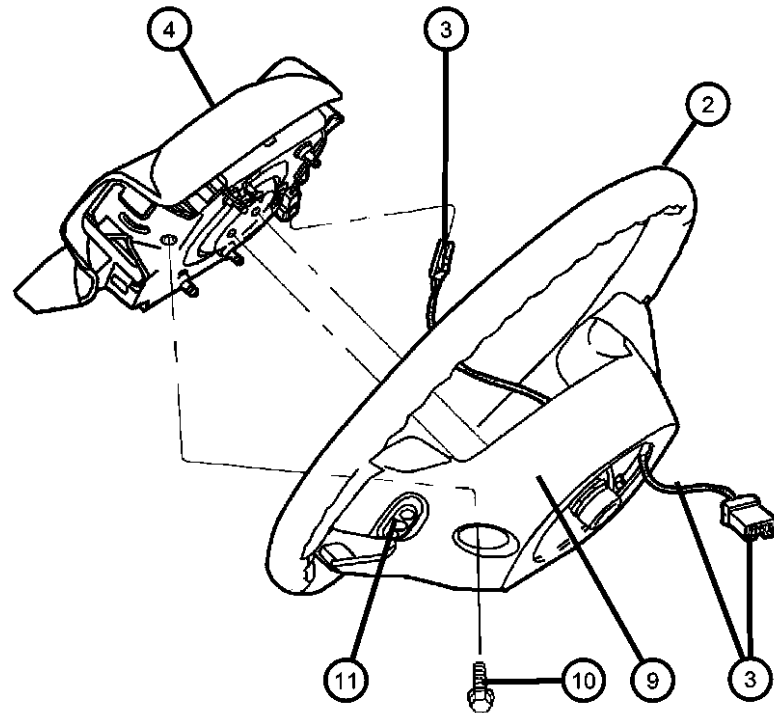
2004 KJ

Steering Wheel
Figure 19-110

ITEM	PART NUMBER	QTY	LINE	SERIES	BODY	ENGINE	TRANS	TRIM	DESCRIPTION
------	-------------	-----	------	--------	------	--------	-------	------	-------------



10	06507854AA	2							SCREW, M6x1x25, Air Bag Module, Mounting
11									SWITCH, Remote Radio
	56042312AB	1		H, M					Radio Control Volume, Right
		1		P					Radio Control Volume, Right
	56042313AB	1		H, M					Radio Control Seek, Left
		1		P					Radio Control Seek, Left



LIBERTY (KJ)

SERIES

P = Limited
H = Sport
M = Renegade

LINE

J = LHD (4WD)
U = RHD (4WD)
T = LHD (2WD)

BODY

74 = 4 Door (104.3 WB)

ENGINE

ED1 = Engine - 2.4L 4 Cyl
DOHC 16v SMPI
EKG = Engine - 3.7L V6
ENJ = Engine -2.5L 4 Cyl 16V
Turbo Diesel
ENR = Engine - 2.8L 4 Cyl
Turbo Diesel
ENO = 4Cyl Turbo Diesel
EKO = All 3.7L
EDO = All 2.4L

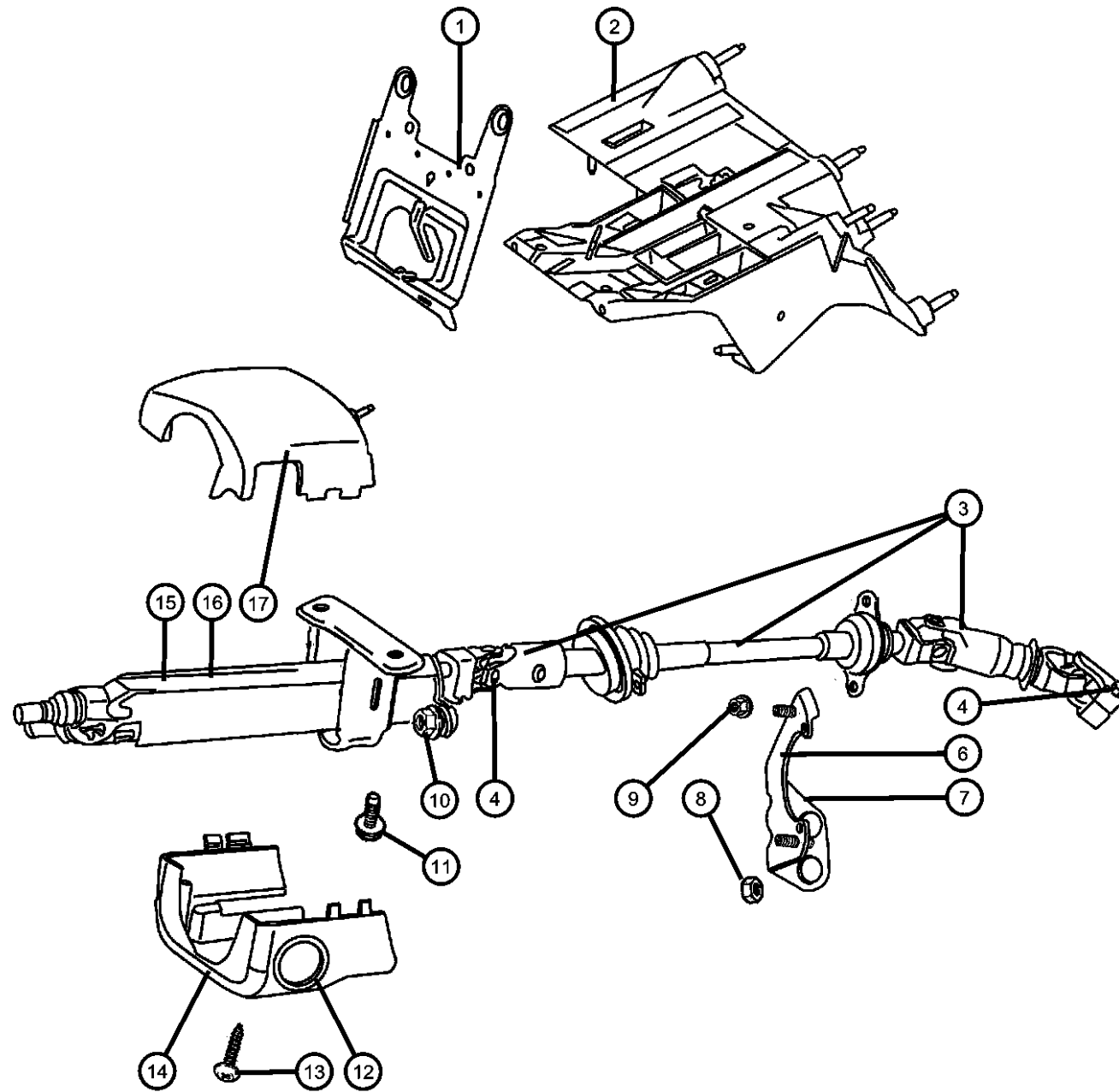
TRANSMISSION

DDD = Transmission - 5-Speed HD
Manual
DDK = Transmission - 5-Speed HD
Manual
DG4 = Transmission-Multi-Speed
Auto, 45RFE
DG6 = Transmission-4-Spd.
Automatic, 42RLE
DGQ = Transmission-5-Spd Automatic
5-45RFE
DBB = All Manual Transmissions
DG0 = All Automatic Transmissions

AR = use ase required - = Non illustrated part

2004 KJ

Column,Steering
Figure 19-210



ITEM	PART NUMBER	QTY	LINE	SERIES	BODY	ENGINE	TRANS	TRIM	DESCRIPTION
Note:Sales Codes; [ABB]=European Equipment Group [DBB]=Transmissions - All Manual [DG0]=Transmissions - All Automatic [ED0]=Engines - All 2.2,2.5,2.4L 4 Cylinder Gas [EK0]= Engines - All 3.7L 6 Cylinder Gas [SUA]=Steering Column - Tilt									
1	55314992AA	1	J, T						BRACKET, Steering Column
	55315011AA	1	U						
2	55314987AA	1	J, T						BRACKET, Steering Column
	55314988AA	1	U						
3	55315022AD	1	J, T						SHAFT, Intermediate
	55315024AD	1	U			ED0, EK0			
	55315057AC	1	U			EN0			Upper
	55315058AA	1	U			EN0			Lower
4	06504926AA	2							SCREW, Hex Flange Head, M10x1.5x40
-5	06502808	2	U						SCREW, M6x1x25, Intermediate Shaft Bracket
6	55315003AB	1	J, T						BRACKET, Intermediate Shaft
7	55315009AA	1	U						BRACKET, Steering Column
8	06100048	2							NUT, Hex, M6x1.00
9	06100516	2							NUT, Hex Flange Lock, M6 Phosphate, Bearing to Bracket
10	06503182	2							NUT AND WASHER, Hex Lock Nut-Coned Teeth Washer, M8 x 1.25, Steering Column Lower, Mounting
11	06506128AA	2							SCREW AND WASHER, Hex Head, Steering Column Upper, Mounting
12	06506128AA	2							TRIM RING, Ignition Key Cylinder, (NOT REQUIRED)

LIBERTY (KJ)

SERIES

P = Limited
H = Sport
M = Renegade

LINE

J = LHD (4WD)
U = RHD (4WD)
T = LHD (2WD)

BODY

74 = 4 Door (104.3 WB)

ENGINE

ED1 = Engine - 2.4L 4 Cyl DOHC 16v SMPI
EKG = Engine - 3.7L V6
ENJ = Engine -2.5L 4 Cyl 16v Turbo Diesel
ENR = Engine - 2.8L 4 Cyl Turbo Diesel
EN0 = 4Cyl Turbo Diesel
EK0 = All 3.7L
ED0 = All 2.4L

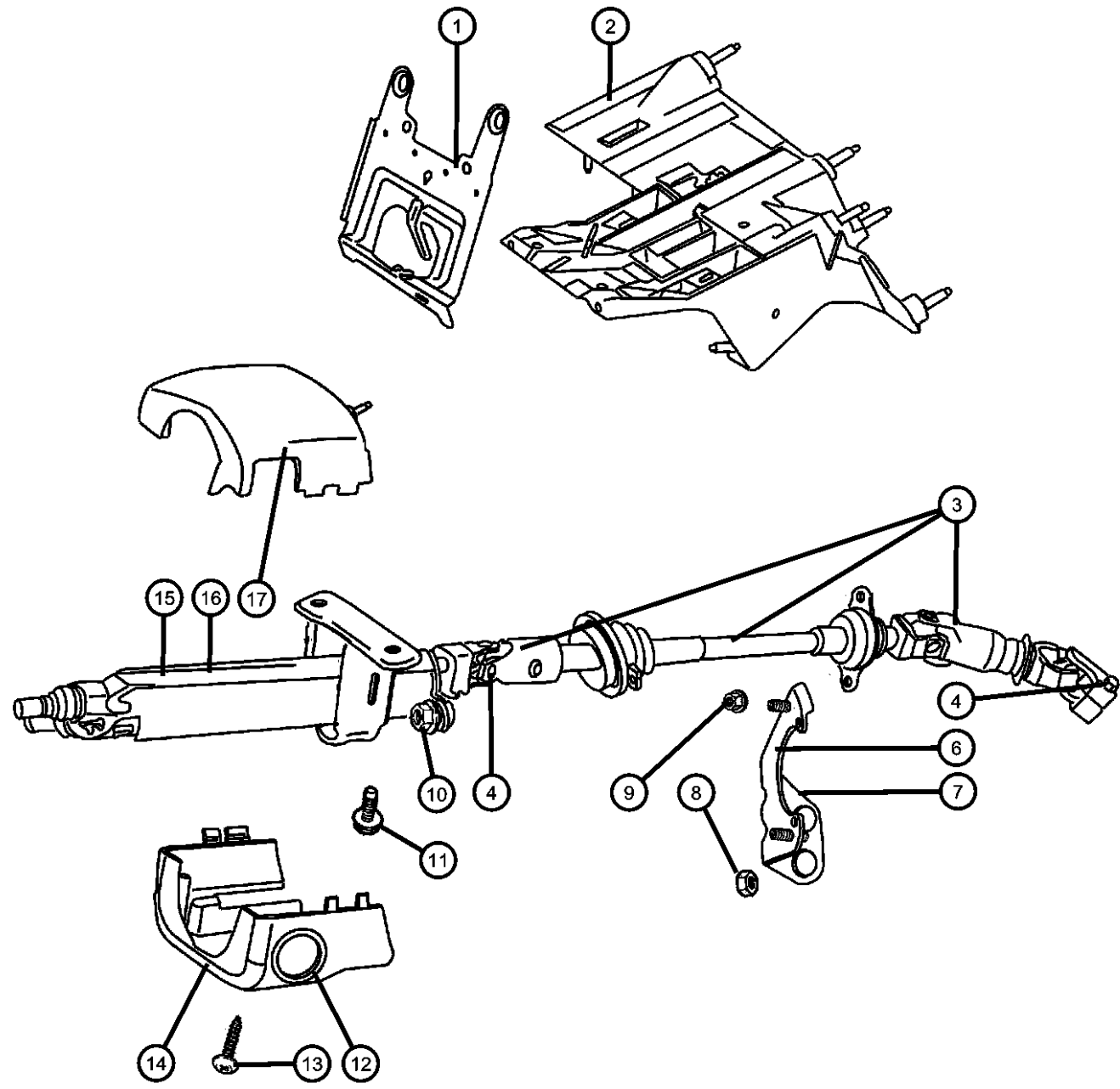
TRANSMISSION

DDD = Transmission - 5-Speed HD Manual
DDK = Transmission - 5-Speed HD Manual
DG4 = Transmission-Multi-Speed Auto, 45RFE
DG6 = Transmission-4-Spd. Automatic, 42RLE
DGQ = Transmission-5-Spd Automatic 5-45RFE
DBB = All Manual Transmissions
DG0 = All Automatic Transmissions

AR = use ase required - = Non illustrated part

2004 KJ

Column, Steering
Figure 19-210



ITEM	PART NUMBER	QTY	LINE	SERIES	BODY	ENGINE	TRANS	TRIM	DESCRIPTION
13	06036381AA	2	U						SCREW AND WASHER, Pan Head
		2	J, T						
14	5GE00DX9AB	1					DBB		SHROUD, Steering Column Without [SUA] & [DBB]
	5GE04DX9AB	1					DBB		With [SUA] & [DBB]
	5GE06DX9AB	1					DG0		Without [SUA] & [DGO]
	5GE08DX9AB	1					DG0		With [SUA] & [DGO]
15	05057077AA	1					DBB		COLUMN, Steering, Non tilt [DBB]
	05057078AA	1					DG0		[DGO]
16	05057079AA	1					DG0		COLUMN, Steering, Tilt Without [ABB] & [DGO]
	05057080AA	1					DBB		Without [ABB] & [DBB]
	05057081AA	1					DG0		With [ABB] & [DGO]
	05057082AA	1					DBB		With [ABB] & [DBB]
17	5GK59DX9AD	1					DBB		SHROUD, Steering Column [DBB]
		1					DG0		[DGO]

LIBERTY (KJ)

SERIES

P = Limited
H = Sport
M = Renegade

LINE

J = LHD (4WD)
U = RHD (4WD)
T = LHD (2WD)

BODY

74 = 4 Door (104.3 WB)

ENGINE

ED1 = Engine - 2.4L 4 Cyl
DOHC 16v SMPI
EKG = Engine - 3.7L V6
ENJ = Engine -2.5L 4 Cyl 16V
Turbo Diesel
ENR = Engine - 2.8L 4 Cyl
Turbo Diesel
ENO = 4Cyl Turbo Diesel
EKO = All 3.7L
EDO = All 2.4L

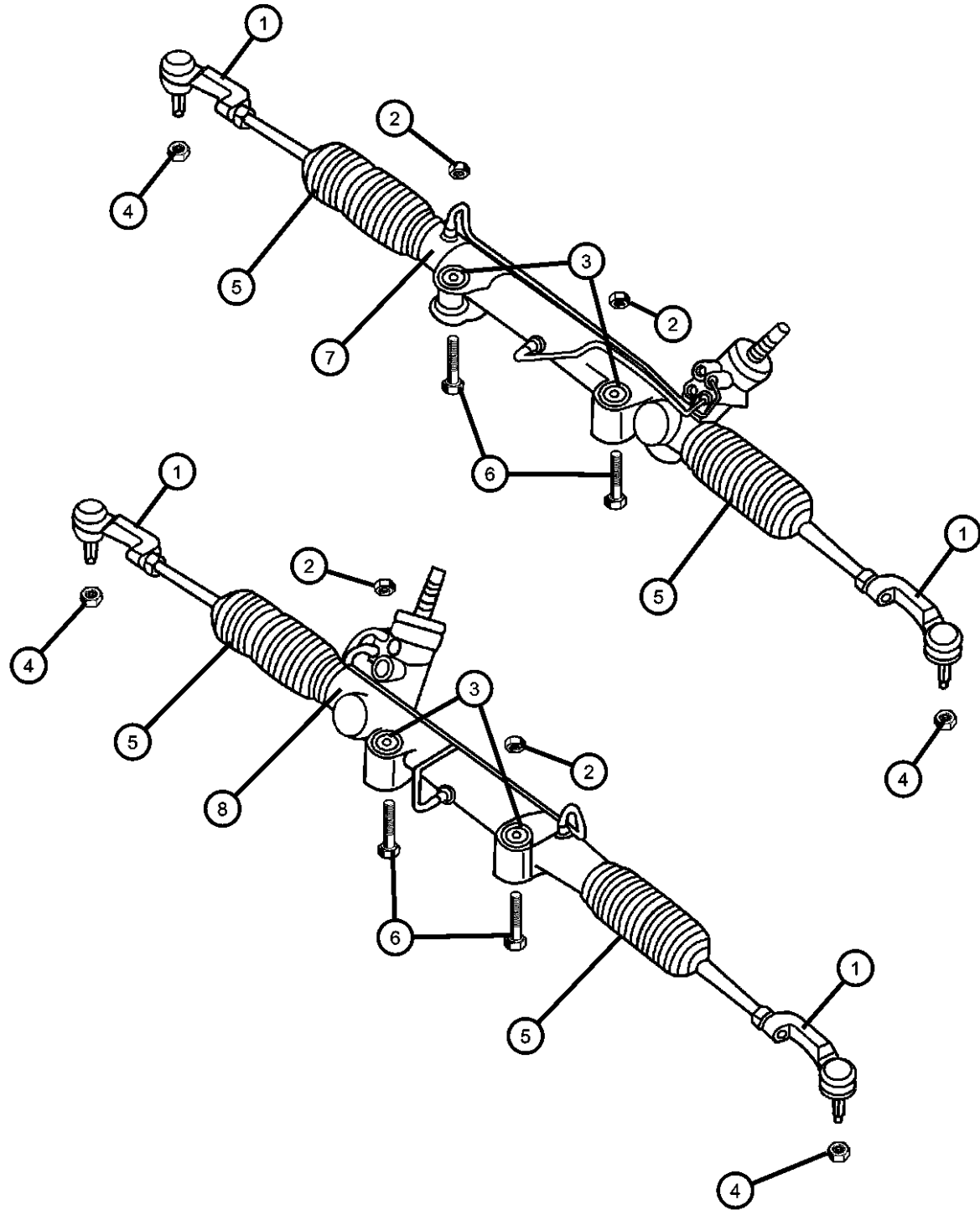
TRANSMISSION

DDD = Transmission - 5-Speed HD
Manual
DDK = Transmission - 5-Speed HD
Manual
DG4 = Transmission-Multi-Speed
Auto, 45RFE
DG6 = Transmission-4-Spd.
Automatic, 42RLE
DGQ = Transmission-5-Spd Automatic
5-45RFE
DBB = All Manual Transmissions
DG0 = All Automatic Transmissions

AR = use ase required - = Non illustrated part

2004 KJ

Gear Assembly, Steering, Rack and Pinion
Figure 19-310



ITEM	PART NUMBER	QTY	LINE	SERIES	BODY	ENGINE	TRANS	TRIM	DESCRIPTION
------	-------------	-----	------	--------	------	--------	-------	------	-------------

Note:Sales Codes

[ED0]=Engines - All 2.2, 2.5, 2.4L 4 Cylinder Gas

[EK0]=Engines - All 3.7L 6 Cylinder Gas

[EN0]=Engines - All 4/5 Cylinder Turbo Diesel

1

05072444AA	1	J				EK0			SOCKET PACKAGE, Tie Rod End, Outer
	1	J				ED0			Right
	1	U				EK0			Right
	1	T				EK0			Right
	1	U				ED0			Right
	1	T				ED0			Right
	1	J				EN0			Right
	1	U				EN0			Right
05072445AA	1	T				EK0			[-NHF], Right
	1	J				EK0			Left
	1	J				ED0			Left
	1	U				EK0			Left
	1	T				EK0			NHF, Left
	1	U				ED0			Left
	1	T				ED0			Left
	1	J				EN0			Left
	1	U				EN0			Left
	1	T				EK0			Left

2

06504707	2	J				EK0			NUT
	2	J				ED0			Gear to Cradle, Mounting
	2	U				EK0			Gear to Cradle, Mounting
	2	T				EK0			Gear to Cradle, Mounting
	2	U				ED0			Gear to Cradle, Mounting
	2	T				ED0			Gear to Cradle, Mounting
	2	J				EN0			Gear to Cradle, Mounting

LIBERTY (KJ)

SERIES

P = Limited

H = Sport

M = Renegade

LINE

J = LHD (4WD)

U = RHD (4WD)

T = LHD (2WD)

BODY

74 = 4 Door (104.3 WB)

ENGINE

ED1 = Engine - 2.4L 4 Cyl

DOHC 16v SMPI

EKG = Engine - 3.7L V6

ENJ = Engine -2.5L 4 Cyl 16V

Turbo Diesel

ENR = Engine - 2.8L 4 Cyl

Turbo Diesel

EN0 = 4Cyl Turbo Diesel

EK0 = All 3.7L

ED0 = All 2.4L

TRANSMISSION

DDD = Transmission - 5-Speed HD Manual

DDK = Transmission - 5-Speed HD Manual

DG4 = Transmission-Multi-Speed

Auto, 45RFE

DG6 = Transmission-4-Spd.

Automatic, 42RLE

DGQ = Transmission-5-Spd Automatic

5-45RFE

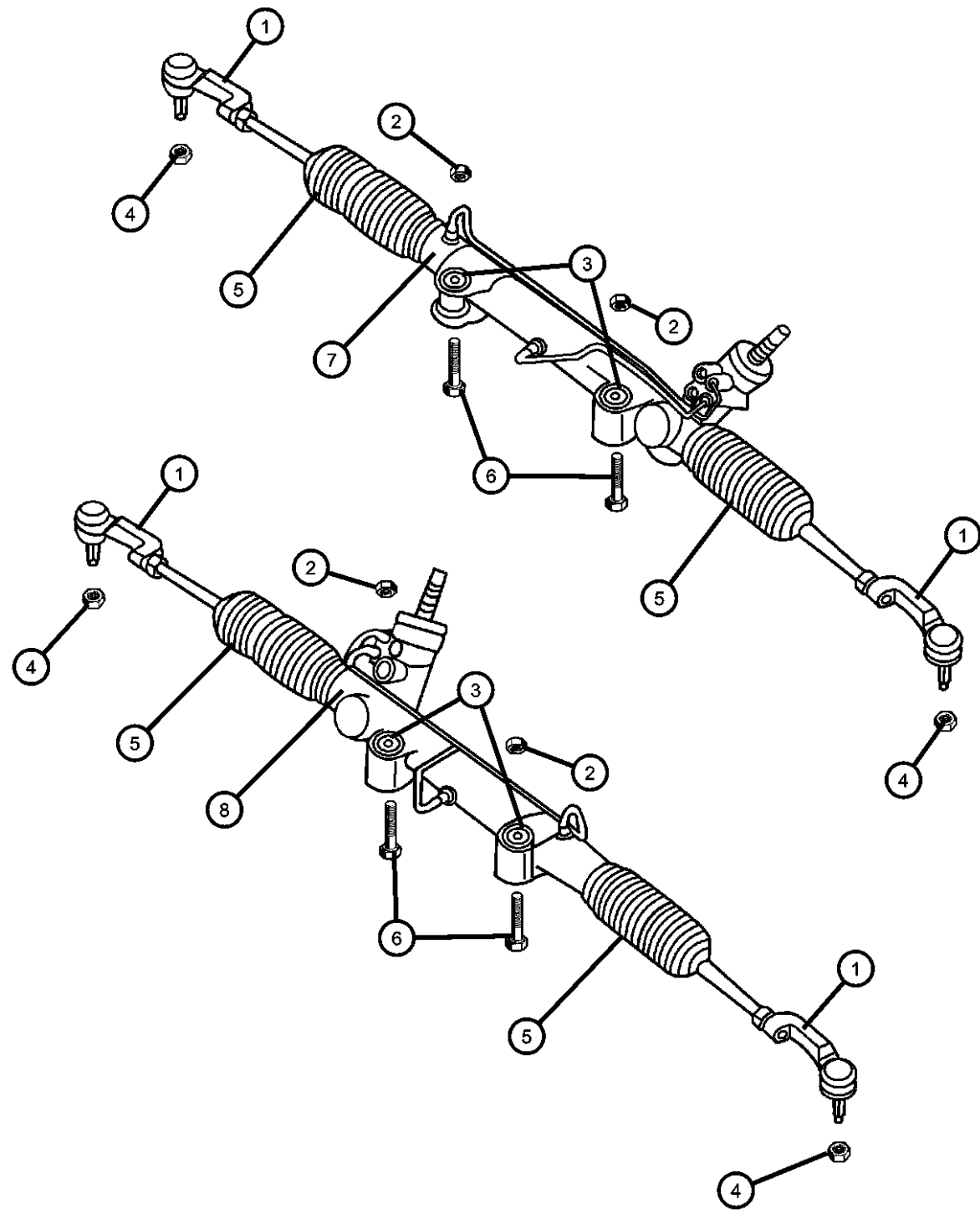
DBB = All Manual Transmissions

DG0 = All Automatic Transmissions

AR = use ase required - = Non illustrated part

2004 KJ

Gear Assembly, Steering, Rack and Pinion
Figure 19-310



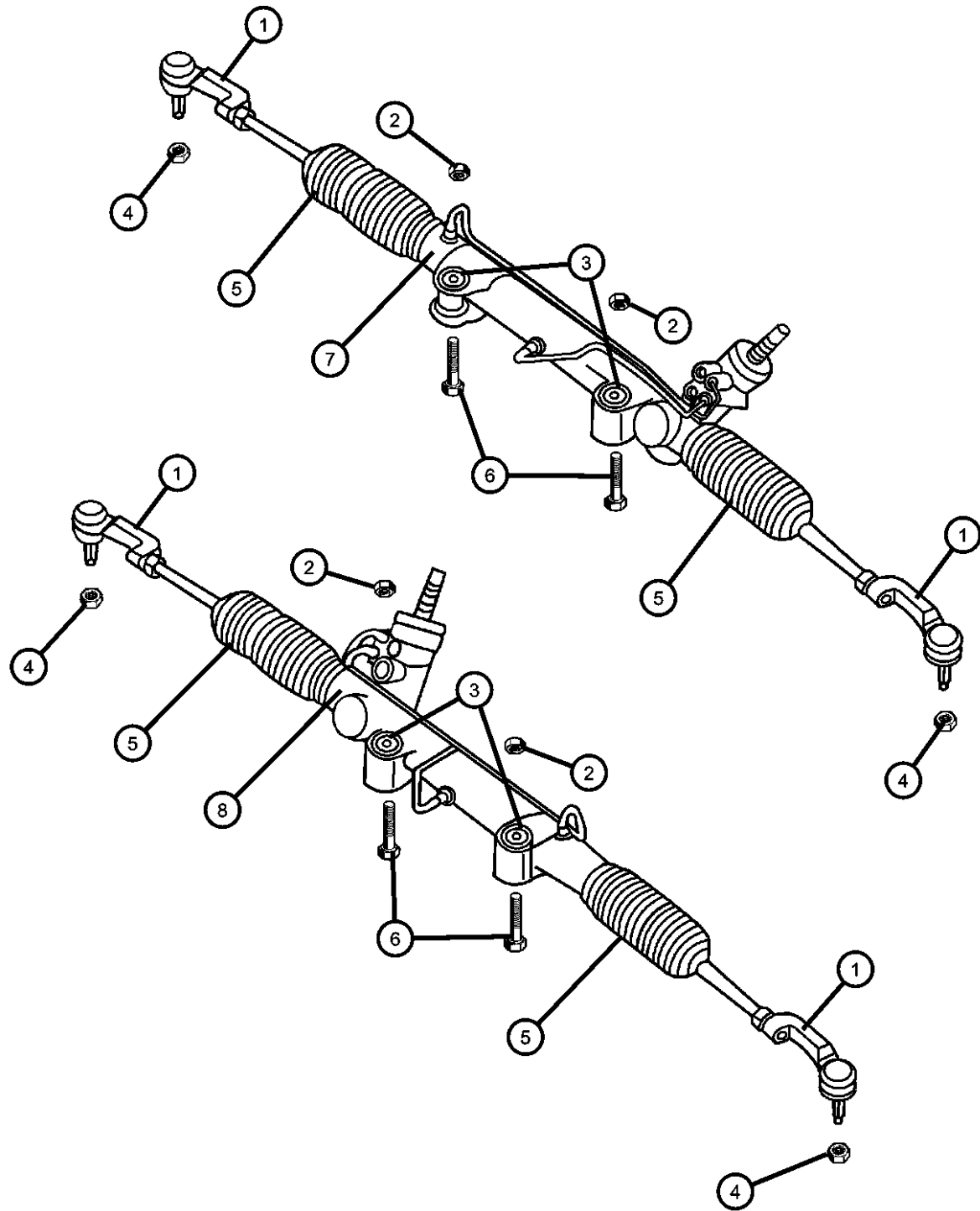
ITEM	PART NUMBER	QTY	LINE	SERIES	BODY	ENGINE	TRANS	TRIM	DESCRIPTION		
3	52038783AB	2	U			EN0			Gear to Cradle, Mounting		
		2	J			EK0			BUSHING, Steering Gear		
		2	J			ED0			Gear to Cradle, Mounting		
		2	U			EK0			Gear to Cradle, Mounting		
		2	T			EK0			Gear to Cradle, Mounting		
		2	U			ED0			Gear to Cradle, Mounting		
		2	T			ED0			Gear to Cradle, Mounting		
		2	J			EN0			Gear to Cradle, Mounting		
		2	U			EN0			Gear to Cradle, Mounting		
		4	06505623AA	2						NUT AND WASHER, Tie Rod, Mounting	
5	06505623AA	2						BOOT KIT, Repair, (NOT SERVICED)			
6	06506517AA	2	J			EK0			BOLT AND WASHER		
		2	J			ED0			Gear to Cradle, Mounting		
		2	U			EK0			Gear to Cradle, Mounting		
		2	T			EK0			Gear to Cradle, Mounting		
		2	U			ED0			Gear to Cradle, Mounting		
		2	T			ED0			Gear to Cradle, Mounting		
		2	J			EN0			Gear to Cradle, Mounting		
		2	U			EN0			Gear to Cradle, Mounting		
		7	52128517AC R0400260	1	J			EK0			RACK, Steering Gear
				1	T			EK0			Mopar Remanufactured Part
1	J					ED0			Mopar Remanufactured Part		
1	T					ED0			Mopar Remanufactured Part		

LIBERTY (KJ)

SERIES	LINE	BODY	ENGINE	TRANSMISSION
P = Limited	J = LHD (4WD)	74 = 4 Door (104.3 WB)	ED1 = Engine - 2.4L 4 Cyl DOHC 16v SMPI	DDD = Transmission - 5-Speed HD Manual
H = Sport	U = RHD (4WD)		EKG = Engine - 3.7L V6	DDK = Transmission - 5-Speed HD Manual
M = Renegade	T = LHD (2WD)		ENJ = Engine -2.5L 4 Cyl 16V Turbo Diesel	DG4 = Transmission-Multi-Speed Auto, 45RFE
			ENR = Engine - 2.8L 4 Cyl Turbo Diesel	DG6 = Transmission-4-Spd. Automatic, 42RLE
			EN0 = 4Cyl Turbo Diesel	DGQ = Transmission-5-Spd Automatic 5-45RFE
			EK0 = All 3.7L	DBB = All Manual Transmissions
			ED0 = All 2.4L	DG0 = All Automatic Transmissions

AR = use ase required - = Non illustrated part

Gear Assembly, Steering, Rack and Pinion
Figure 19-310



ITEM	PART NUMBER	QTY	LINE	SERIES	BODY	ENGINE	TRANS	TRIM	DESCRIPTION
	R0400260								Mopar Remanufactured Part
	R0400260	1	J			EN0	DG0		Mopar Remanufactured Part
	R0400260	1	J			EN0	DBB		Mopar Remanufactured Part
8	R0400260								Mopar Remanufactured Part
	52128518AC	1	U			EK0			RACK, Steering Gear
	52128588AC	1	U			ED0			
		1	U			EN0	DG0		
		1	U			EN0	DBB		
-9	52128548AA	1	U			ED0, EN0			FITTING, Quick Connect

LIBERTY (KJ)

SERIES

P = Limited
H = Sport
M = Renegade

LINE

J = LHD (4WD)
U = RHD (4WD)
T = LHD (2WD)

BODY

74 = 4 Door (104.3 WB)

ENGINE

ED1 = Engine - 2.4L 4 Cyl
DOHC 16v SMPI
EKG = Engine - 3.7L V6
ENJ = Engine -2.5L 4 Cyl 16V
Turbo Diesel
ENR = Engine - 2.8L 4 Cyl
Turbo Diesel
EN0 = 4Cyl Turbo Diesel
EK0 = All 3.7L
ED0 = All 2.4L

TRANSMISSION

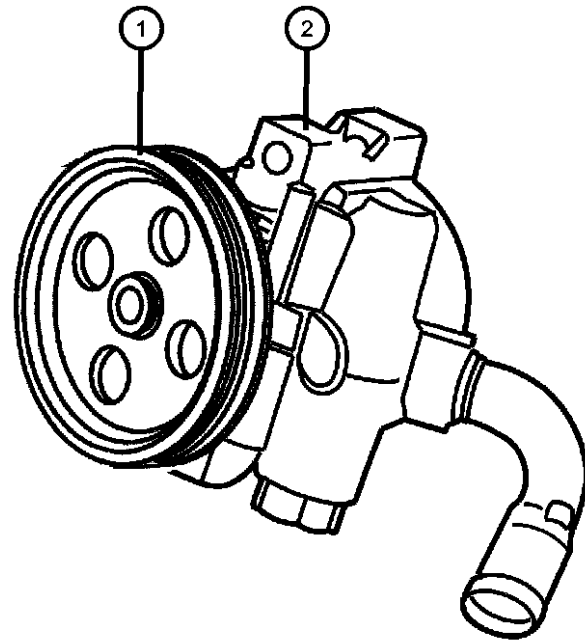
DDD = Transmission - 5-Speed HD
Manual
DDK = Transmission - 5-Speed HD
Manual
DG4 = Transmission-Multi-Speed
Auto, 45RFE
DG6 = Transmission-4-Spd.
Automatic, 42RLE
DGQ = Transmission-5-Spd Automatic
5-45RFE
DBB = All Manual Transmissions
DG0 = All Automatic Transmissions

AR = use ase required - = Non illustrated part

2004 KJ

**Pump,Power Steering,2.4L [ED0] Gas Engine
Figure 19-510**

ITEM	PART NUMBER	QTY	LINE	SERIES	BODY	ENGINE	TRANS	TRIM	DESCRIPTION
Note: Sales Codes; [ED0]=Engines - All 2.2, 2.5, 2.4L 4 Cylinder Gas									
1	53031722AA	1				ED0			PULLEY, Power Steering Pump
2	52088711AC	1				ED0			PUMP, Power Steering
	05166226AA								Mopar Power Steering Fluid Pint
-3	06102097AA	3				ED0			BOLT
-4									BRACKET, Power Steering
	52089289AA	1	J			ED0			
		1	T			ED0			
-5									BRACKET, Power Steering
	52128516AB	2	J			ED0			
		2	T			ED0			



LIBERTY (KJ)

SERIES LINE
P = Limited J = LHD (4WD)
H = Sport U = RHD (4WD)
M = Renegade T = LHD (2WD)

BODY
74 = 4 Door (104.3 WB)

ENGINE
ED1 = Engine - 2.4L 4 Cyl DOHC 16v SMPI
EKG = Engine - 3.7L V6
ENJ = Engine -2.5L 4 Cyl 16V Turbo Diesel
ENR = Engine - 2.8L 4 Cyl Turbo Diesel
ENO = 4Cyl Turbo Diesel
EK0 = All 3.7L
ED0 = All 2.4L

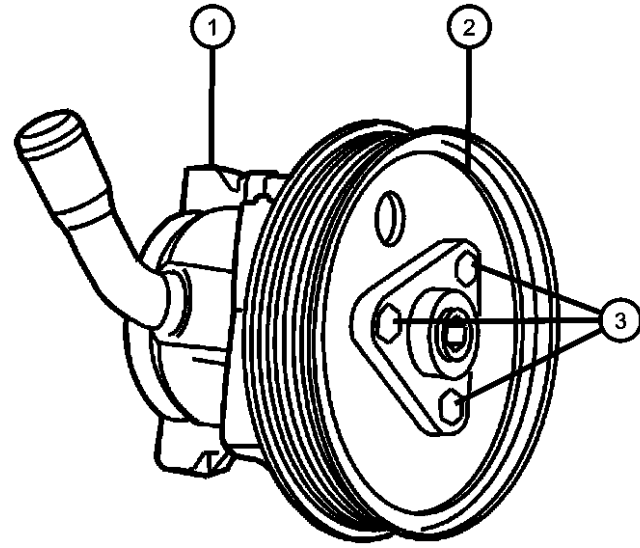
TRANSMISSION
DDD = Transmission - 5-Speed HD Manual
DDK = Transmission - 5-Speed HD Manual
DG4 = Transmission-Multi-Speed Auto, 45RFE
DG6 = Transmission-4-Spd. Automatic, 42RLE
DGQ = Transmission-5-Spd Automatic 5-45RFE
DBB = All Manual Transmissions
DG0 = All Automatic Transmissions

AR = use ase required - = Non illustrated part

2004 KJ

**Pump,Power Steering,2.8L [EN0] Diesel Engine
Figure 19-520**

ITEM	PART NUMBER	QTY	LINE	SERIES	BODY	ENGINE	TRANS	TRIM	DESCRIPTION
Note:Sales Codes; [DBB]=Transmissions - All Manual [EN0]=Engines - All 2.8L 4 Cylinder Turbo Diesel									
1	52088712AC	1				EN0	DG0		PUMP, Power Steering, High Temperature Mopar Power Steering Fluid Pint
	05166226AA								
2	05072441AA	1				EN0	DG0		PULLEY, Power Steering Pump
3									SCREW
	06506245AA	1	T				DG6		Pump to pulley
		1	J, U				DG6		Pump to pulley
-4	05093935AA	1				EN0	DG0		BRACKET, Tensioner
-5	04864537	3				EN0	DG0		BOLT, 8Mx20, Pump to Bracket
-6									BRACKET, Power Steering
	52089289AA	2	J			EN0			
		1	U			EN0			



LIBERTY (KJ)

SERIES LINE
P = Limited J = LHD (4WD)
H = Sport U = RHD (4WD)
M = Renegade T = LHD (2WD)

BODY
74 = 4 Door (104.3 WB)

ENGINE
ED1 = Engine - 2.4L 4 Cyl DOHC 16v SMPI
EKG = Engine - 3.7L V6
ENJ = Engine -2.5L 4 Cyl 16V Turbo Diesel
ENR = Engine - 2.8L 4 Cyl Turbo Diesel
EN0 = 4Cyl Turbo Diesel
EK0 = All 3.7L
ED0 = All 2.4L

TRANSMISSION
DDD = Transmission - 5-Speed HD Manual
DDK = Transmission - 5-Speed HD Manual
DG4 = Transmission-Multi-Speed Auto, 45RFE
DG6 = Transmission-4-Spd. Automatic, 42RLE
DGQ = Transmission-5-Spd Automatic 5-45RFE
DBB = All Manual Transmissions
DG0 = All Automatic Transmissions

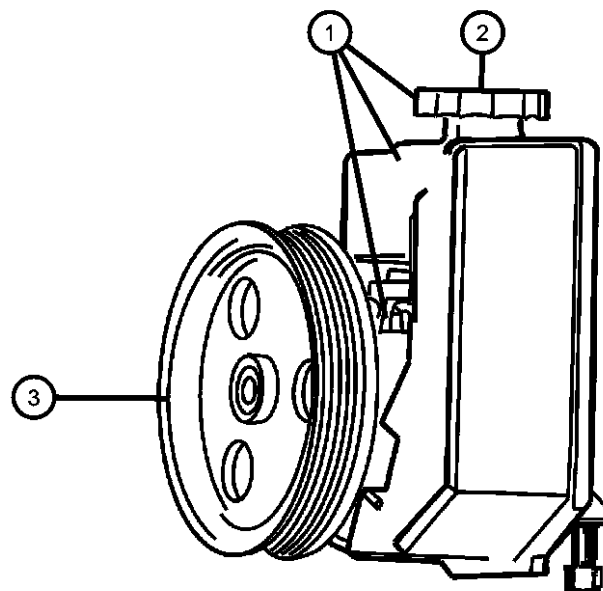
AR = use ase required - = Non illustrated part

**Pump,Power Steering,3.7L [EK0] Gas Engine
Figure 19-530**

ITEM	PART NUMBER	QTY	LINE	SERIES	BODY	ENGINE	TRANS	TRIM	DESCRIPTION
------	-------------	-----	------	--------	------	--------	-------	------	-------------

Note:Sales Codes:
[EK0]=Engines - All 3.7L 6 Cylinder Gas

1	52088710AC 05166226AA	1				EK0			PUMP, Power Steering Mopar Power Steering Fluid Pint
2	52128513AA	1				EK0			CAP, Power Steering Reservoir
3	53010258AC	1				EK0			PULLEY, Power Steering Pump
-4	06102045AA	3				EK0			SCREW AND WASHER, Hex Head, Power Steering Pump Mounting



LIBERTY (KJ)

SERIES	LINE
P = Limited	J = LHD (4WD)
H = Sport	U = RHD (4WD)
M = Renegade	T = LHD (2WD)

BODY
74 = 4 Door (104.3 WB)

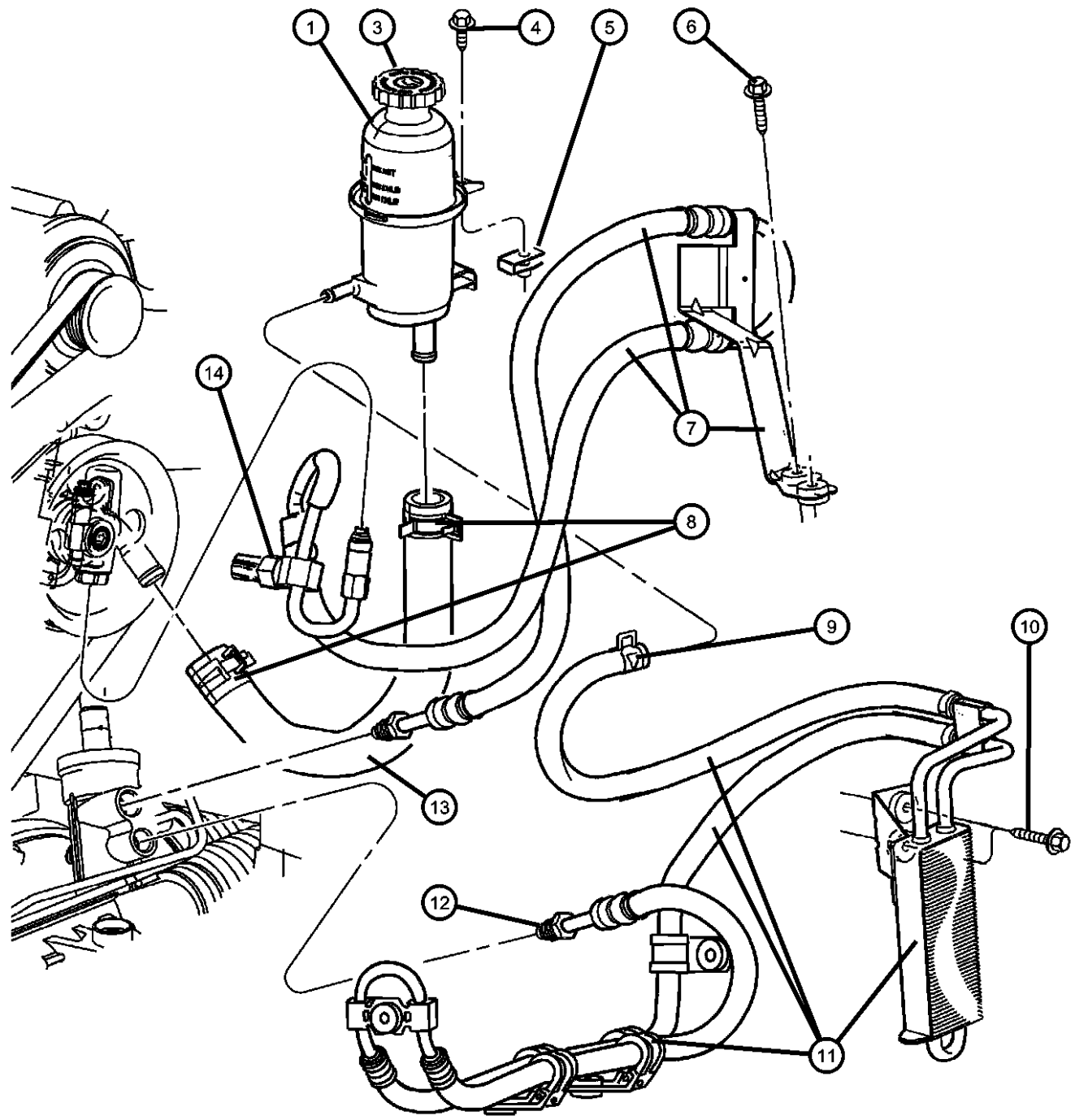
ENGINE
ED1 = Engine - 2.4L 4 Cyl
DOHC 16v SMPI
EKG = Engine - 3.7L V6
ENJ = Engine -2.5L 4 Cyl 16V
Turbo Diesel
ENR = Engine - 2.8L 4 Cyl
Turbo Diesel
ENO = 4Cyl Turbo Diesel
EK0 = All 3.7L
ED0 = All 2.4L

TRANSMISSION
DDD = Transmission - 5-Speed HD
Manual
DDK = Transmission - 5-Speed HD
Manual
DG4 = Transmission-Multi-Speed
Auto, 45RFE
DG6 = Transmission-4-Spd.
Automatic, 42RLE
DGQ = Transmission-5-Spd Automatic
5-45RFE
DBB = All Manual Transmissions
DG0 = All Automatic Transmissions

AR = use ase required - = Non illustrated part

2004 KJ

Hoses and Reservoir,LHD,2.4L [ED0] 2.8L [EN0]
Figure 19-710



ITEM	PART NUMBER	QTY	LINE	SERIES	BODY	ENGINE	TRANS	TRIM	DESCRIPTION
------	-------------	-----	------	--------	------	--------	-------	------	-------------

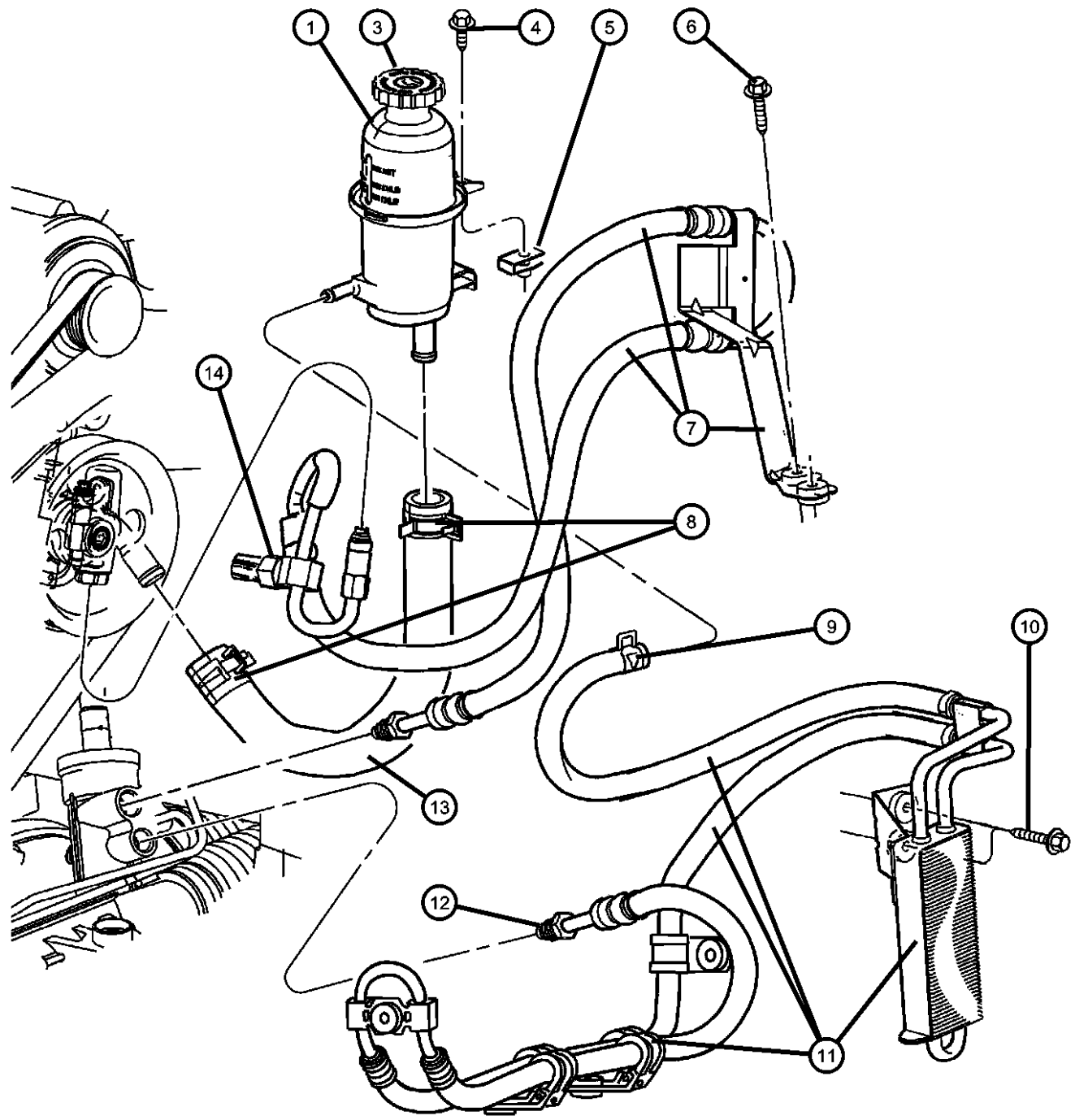
Note: Sales Codes;
[ED0]=Engines - All 2.2, 2.5, 2.4L 4 Cylinder Gas
[EN0]=Engines - All 2.8L 4 Cylinder Turbo Diesel

1	52088713AA	1				ED0			RESERVOIR, Power Steering Pump Includes Item 3
		1				EN0			Includes Item 3
-2	52088874AD	1				EN0			BRACKET, Power Steering Reservoir CAP, Power Steering Reservoir
3	52128513AA	1				ED0			
		1				EN0			
4	06102132AA	1				ED0, EN0			SCREW, Hex Head, M6x1x20Reservoir To Bracket NUT, U, M6x1
5	06101712	2							SCREW, Hex Head, M6x1x35, Pressure Hose Mounting (Qty 2), (NOT SERVICED)
6	06101712	2							SCREW, Hex Head, M6x1x35, Pressure Hose Mounting (Qty 2), (NOT SERVICED)
7									HOSE, Power Steering Pressure
	52088716AE	1	U			EN0			
	52088726AE	1	J			EN0			Includes Item 12
	52128786AA	1	J, T			ED0			
	52128787AA	2	U			ED0			
8									CLAMP, Hose, M28.9 x 1.60
	06502018	2				ED0			
		2				EN0			
9	06504217	1	J			EN0			CLAMP, Hose, M18.5
10	06504217	1							SCREW, Hex Head, M6x1x35, Cooler Mounting (Qty 2), (NOT SERVICED)
11									COOLER, Power Steering With Hose
	52088931AE	1	J			EN0			Includes Items 9,12
	52128561AB	1	J			ED0			Includes Items 9,12
		1	T			ED0			Includes Items 9,12

LIBERTY (KJ)	LINE	BODY	ENGINE	TRANSMISSION
SERIES				
P = Limited	J = LHD (4WD)	74 = 4 Door (104.3 WB)	ED1 = Engine - 2.4L 4 Cyl DOHC 16v SMPI	DDD = Transmission - 5-Speed HD Manual
H = Sport	U = RHD (4WD)		EKG = Engine - 3.7L V6	DDK = Transmission - 5-Speed HD Manual
M = Renegade	T = LHD (2WD)		ENJ = Engine -2.5L 4 Cyl 16v Turbo Diesel	DG4 = Transmission-Multi-Speed Auto, 45RFE
			ENR = Engine - 2.8L 4 Cyl Turbo Diesel	DG6 = Transmission-4-Spd. Automatic, 42RLE
			EN0 = 4Cyl Turbo Diesel	DGQ = Transmission-5-Spd Automatic 5-45RFE
			EK0 = All 3.7L	DBB = All Manual Transmissions
			ED0 = All 2.4L	DG0 = All Automatic Transmissions

AR = use ase required - = Non illustrated part

Hoses and Reservoir,LHD,2.4L [ED0] 2.8L [EN0]
Figure 19-710

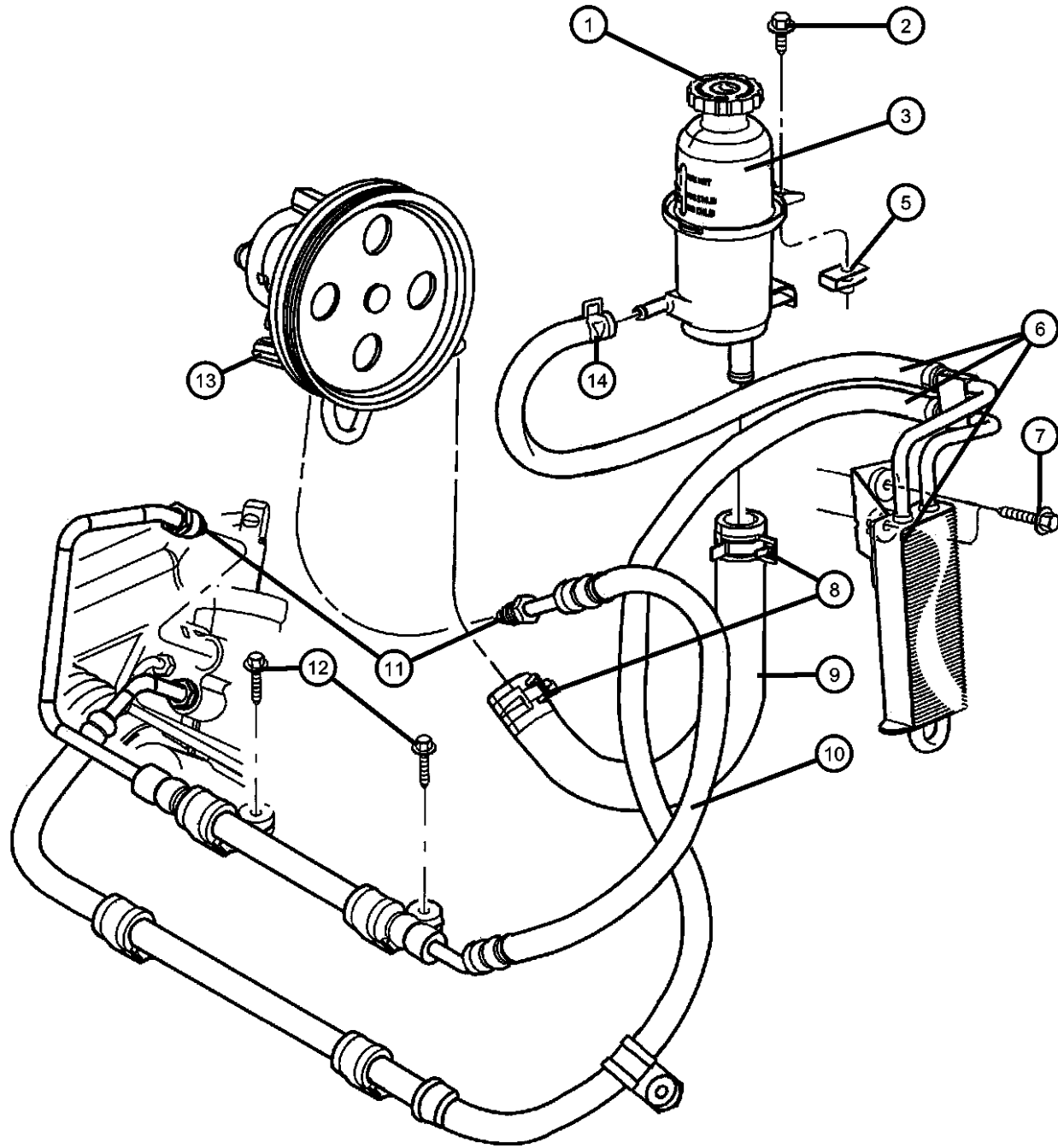


ITEM	PART NUMBER	QTY	LINE	SERIES	BODY	ENGINE	TRANS	TRIM	DESCRIPTION
12	05205254	1	J			EK0			O RING, Power Steering Hose As Required
		1	T			EK0			As Required
		1	U			EN0			As Required
13	52088718AD	1				ED0			HOSE, Power Steering Reservoir Includes Item 8, Reservoir To Pump
	52088719AE	1				EN0			Includes Item 8, Reservoir To Pump
14	56044169AA	1	J, T			ED0			SWITCH, Power Steering

LIBERTY (KJ)				
SERIES	LINE	BODY	ENGINE	TRANSMISSION
P = Limited	J = LHD (4WD)	74 = 4 Door (104.3 WB)	ED1 = Engine - 2.4L 4 Cyl DOHC 16v SMPI	DDD = Transmission - 5-Speed HD Manual
H = Sport	U = RHD (4WD)		EKG = Engine - 3.7L V6	DDK = Transmission - 5-Speed HD Manual
M = Renegade	T = LHD (2WD)		ENJ = Engine -2.5L 4 Cyl 16V Turbo Diesel	DG4 = Transmission-Multi-Speed Auto, 45RFE
			ENR = Engine - 2.8L 4 Cyl Turbo Diesel	DG6 = Transmission-4-Spd. Automatic, 42RLE
			EN0 = 4Cyl Turbo Diesel	DGQ = Transmission-5-Spd Automatic 5-45RFE
			EK0 = All 3.7L	DBB = All Manual Transmissions
			ED0 = All 2.4L	DG0 = All Automatic Transmissions

AR = use ase required - = Non illustrated part

Hoses and Reservoir, RHD 2.4L [ED0] 2.8L [EN0]
Figure 19-720



ITEM	PART NUMBER	QTY	LINE	SERIES	BODY	ENGINE	TRANS	TRIM	DESCRIPTION
------	-------------	-----	------	--------	------	--------	-------	------	-------------

Note: Sales Codes;

[ED0]=Engines - All 2.2, 2.5, 2.4L 4 Cylinder Gas

[EK0]=Engines - All 3.7L 6 Cylinder Gas

[EN0]=Engines - All 2.8L 4 Cylinder Turbo Diesel

1									CAP, Power Steering Reservoir
	52128513AA	1				ED0			
		1				EN0			
2	06102132AA	1				ED0, EN0			SCREW, Hex Head, M6x1x20
3									RESERVOIR, Power Steering Pump
	52088713AA	1				ED0			Includes Item 4
		1				EN0			Includes Item 4
-4	52088874AD	1				EN0			BRACKET, Power Steering Reservoir
5	06101712	2							NUT, U, M6x1
6	52088928AE	1	U			EN0			COOLER, Power Steering With Hose, Includes Items 1,12
7	52088928AE	1							SCREW, Hex Flange Head, M6x1.00x35.00, (NOT SERVICED)
8									CLAMP, Hose, M28.9 x 1.60
	06502018	2				ED0			
		2				EN0			
9									HOSE, Power Steering Reservoir
	52088718AD	1				ED0			Includes Item 9
	52088719AE	1				EN0			Includes Item 9
10	52088716AE	1	U			EN0			HOSE, Power Steering Pressure, Includes Items 12,14
11									O RING, Power Steering Hose
	05205254	1	U			EN0			
		1	U			ED0			
12		1							SCREW, Hex Flange Head, M6x1.00x35.00, (NOT SERVICED)
13	56044169AA	1	U			ED0			SWITCH, Power Steering
14									CLAMP, Hose, M18.5

LIBERTY (KJ)

SERIES

P = Limited

H = Sport

M = Renegade

LINE

J = LHD (4WD)

U = RHD (4WD)

T = LHD (2WD)

BODY

74 = 4 Door (104.3 WB)

ENGINE

ED1 = Engine - 2.4L 4 Cyl

DOHC 16v SMPI

EKG = Engine - 3.7L V6

ENJ = Engine -2.5L 4 Cyl 16V

Turbo Diesel

ENR = Engine - 2.8L 4 Cyl

Turbo Diesel

EN0 = 4Cyl Turbo Diesel

ED0 = All 3.7L

ED0 = All 2.4L

TRANSMISSION

DDD = Transmission - 5-Speed HD Manual

DDK = Transmission - 5-Speed HD Manual

DG4 = Transmission-Multi-Speed

Auto, 45RFE

DG6 = Transmission-4-Spd.

Automatic, 42RLE

DGQ = Transmission-5-Spd Automatic

5-45RFE

DBB = All Manual Transmissions

DG0 = All Automatic Transmissions

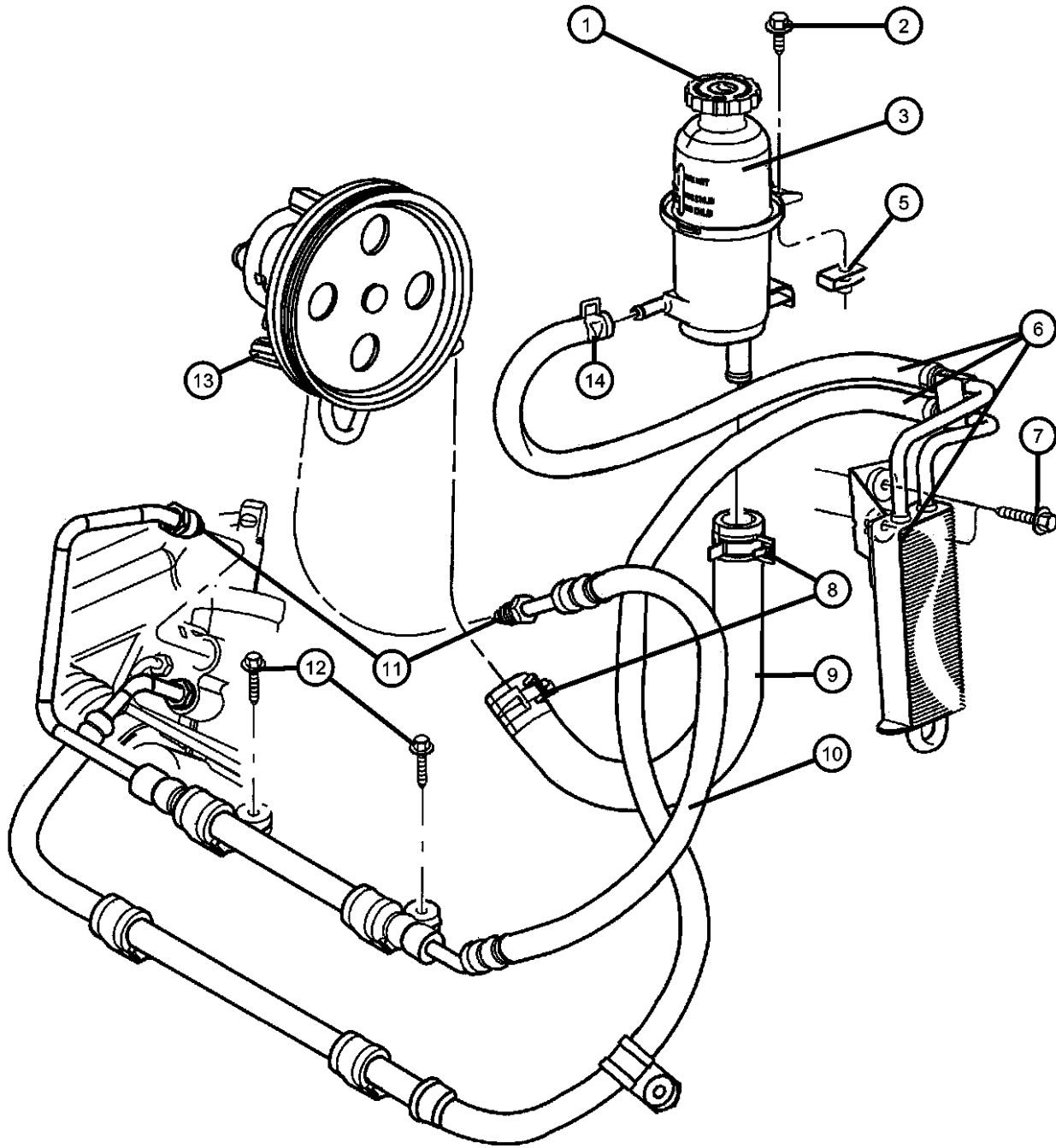
AR = use ase required - = Non illustrated part

2004 KJ

Hoses and Reservoir, RHD 2.4L [ED0] 2.8L [EN0]
Figure 19-720

ITEM	PART NUMBER	QTY	LINE	SERIES	BODY	ENGINE	TRANS	TRIM	DESCRIPTION
------	-------------	-----	------	--------	------	--------	-------	------	-------------

	06504217	2	U			ED0			
		1	U			EN0			



LIBERTY (KJ)

SERIES

P = Limited
H = Sport
M = Renegade

LINE

J = LHD (4WD)
U = RHD (4WD)
T = LHD (2WD)

BODY

74 = 4 Door (104.3 WB)

ENGINE

ED1 = Engine - 2.4L 4 Cyl
DOHC 16v SMPI
EKG = Engine - 3.7L V6
ENJ = Engine -2.5L 4 Cyl 16V
Turbo Diesel
ENR = Engine - 2.8L 4 Cyl
Turbo Diesel
EN0 = 4Cyl Turbo Diesel
EKO = All 3.7L
ED0 = All 2.4L

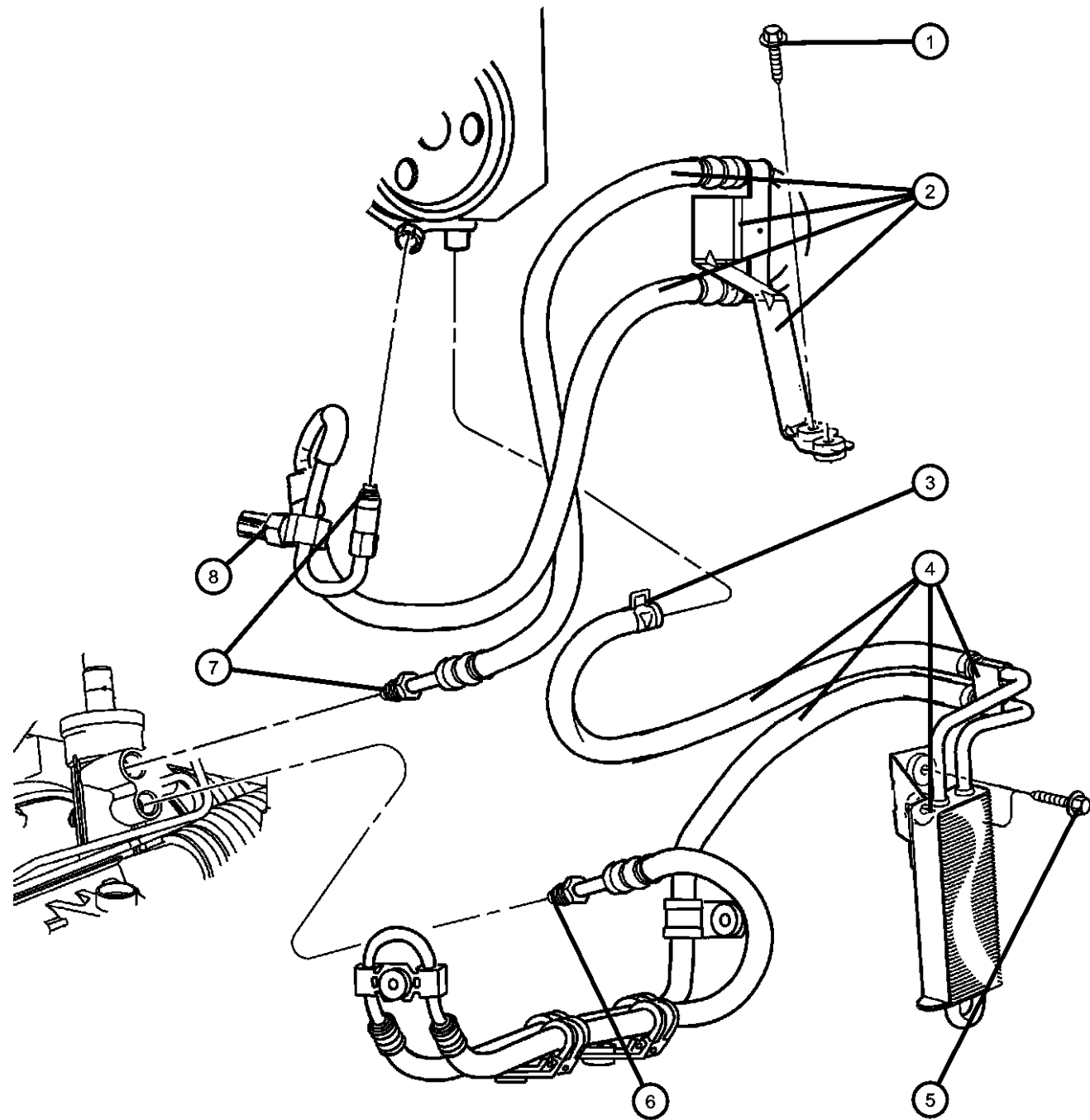
TRANSMISSION

DDD = Transmission - 5-Speed HD
Manual
DDK = Transmission - 5-Speed HD
Manual
DG4 = Transmission-Multi-Speed
Auto, 45RFE
DG6 = Transmission-4-Spd.
Automatic, 42RLE
DGQ = Transmission-5-Spd Automatic
5-45RFE
DBB = All Manual Transmissions
DG0 = All Automatic Transmissions

AR = use ase required - = Non illustrated part

2004 KJ

Hoses and Reservoir, LHD, 3.7L [EK0]
Figure 19-730



ITEM	PART NUMBER	QTY	LINE	SERIES	BODY	ENGINE	TRANS	TRIM	DESCRIPTION
1		1							SCREW, Hex Flange Head, M6x1.00x35.00, (NOT SERVICED)
2	52128940AA	1	J, T			EK0			HOSE, Power Steering Pressure
3									CLAMP, Hose, M18.5
	06504217	1	J			EK0			
		1	T			EK0			
4									COOLER, Power Steering With Hose
	52128561AB	1	J			EK0			
		1	T			EK0			
5		1							SCREW, Hex Flange Head, M6x1.00x35.00, (NOT SERVICED)
6									O RING, Power Steering Hose
	05205254	1	J			EK0			
		1	T			EK0			
7									O RING, Power Steering Hose
	05205254	1	J			EK0			
		1	T			EK0			
8	56044169AA	1	J, T			EK0			SWITCH, Power Steering
-9	53013506AA	1	J			EK0			GUARD, SplashOil
-10	06100267	1	J			EK0			BOLT AND CONED WASHER, Hex Head, M6x25x12.5, Splash guard to left front axle
-11									NUT AND WASHER, Hex, M8x1.25
	06100050	1	J			EK0			Oil Splash Guard to Axle
		1	U			EK0			Oil Splash Guard to Axle
-12									HOSE, Power Steering Return
	52129073AA	1	J			EK0			
		1	T			EK0			

LIBERTY (KJ)

SERIES LINE
P = Limited J = LHD (4WD)
H = Sport U = RHD (4WD)
M = Renegade T = LHD (2WD)

BODY
74 = 4 Door (104.3 WB)

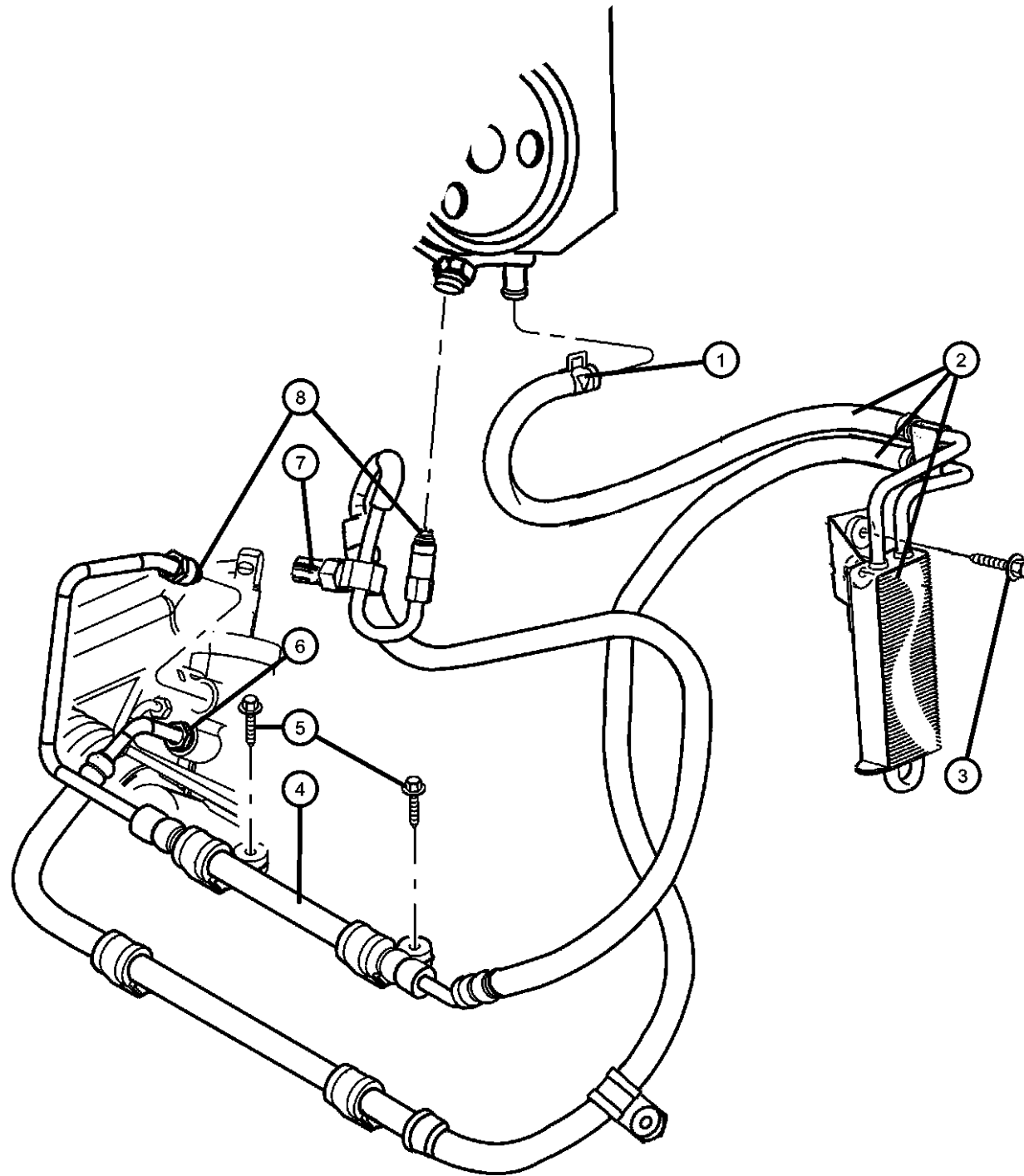
ENGINE
ED1 = Engine - 2.4L 4 Cyl DOHC 16v SMPI
EKG = Engine - 3.7L V6
ENJ = Engine -2.5L 4 Cyl 16v Turbo Diesel
ENR = Engine - 2.8L 4 Cyl Turbo Diesel
ENO = 4Cyl Turbo Diesel
EK0 = All 3.7L
ED0 = All 2.4L

TRANSMISSION
DDD = Transmission - 5-Speed HD Manual
DDK = Transmission - 5-Speed HD Manual
DG4 = Transmission-Multi-Speed Auto, 45RFE
DG6 = Transmission-4-Spd. Automatic, 42RLE
DGQ = Transmission-5-Spd Automatic 5-45RFE
DBB = All Manual Transmissions
DG0 = All Automatic Transmissions

AR = use ase required - = Non illustrated part

2004 KJ

Hoses and Reservoir, RHD, 3.7L [EK0]
Figure 19-740



ITEM	PART NUMBER	QTY	LINE	SERIES	BODY	ENGINE	TRANS	TRIM	DESCRIPTION
Note:Sales Codes; [EKG]=Engine -3.7L Power Tech V6 [EK0]=Engines - All 3.7L 6 Cylinder Gas									
1	06504217	2	U			EK0			CLAMP, Hose, M18.5, Includes Items 1-6
2	52088927AE	2	U			EK0			COOLER, Power Steering With Hose
3	52088927AE	2							SCREW, Hex Flange Head, M6x1.00x35.00, (NOT SERVICED)
4	52128789AA	1	U			EK0			HOSE, Power Steering Pressure
5	52128789AA	1							SCREW, Hex Flange Head, M6x1.00x35.00, (NOT SERVICED)
6	05205254	4	U			EK0			O RING, Power Steering Hose
7	56044169AA	1	U			EK0			SWITCH, Power Steering
8	05205254	4	U			EK0			O RING, Power Steering Hose
-9	53013506AA	1	U			EK0			GUARD, Splash, Splash Guard to Left Front Axle, Oil
-10	06100267	1	U			EK0			BOLT AND CONED WASHER, Hex Head, M6x25x12.5
-11									NUT AND WASHER, Hex, M8x1.25
	06100050	1	J			EK0			Oil Splash Guard to Axle
		1	U			EK0			Oil Splash Guard to Axle

LIBERTY (KJ)

SERIES

P = Limited
H = Sport
M = Renegade

LINE

J = LHD (4WD)
U = RHD (4WD)
T = LHD (2WD)

BODY

74 = 4 Door (104.3 WB)

ENGINE

ED1 = Engine - 2.4L 4 Cyl DOHC 16v SMPI
EKG = Engine - 3.7L V6
ENJ = Engine -2.5L 4 Cyl 16V Turbo Diesel
ENR = Engine - 2.8L 4 Cyl Turbo Diesel
ENO = 4Cyl Turbo Diesel
EK0 = All 3.7L
ED0 = All 2.4L

TRANSMISSION

DDD = Transmission - 5-Speed HD Manual
DDK = Transmission - 5-Speed HD Manual
DG4 = Transmission-Multi-Speed Auto, 45RFE
DG6 = Transmission-4-Spd. Automatic, 42RLE
DGQ = Transmission-5-Spd Automatic 5-45RFE
DBB = All Manual Transmissions
DG0 = All Automatic Transmissions

AR = use ase required - = Non illustrated part

2004 KJ

Group - 42RLE

Automatic Transaxle 4 Speed

Group - 42RLE Automatic Transaxle 4 Speed

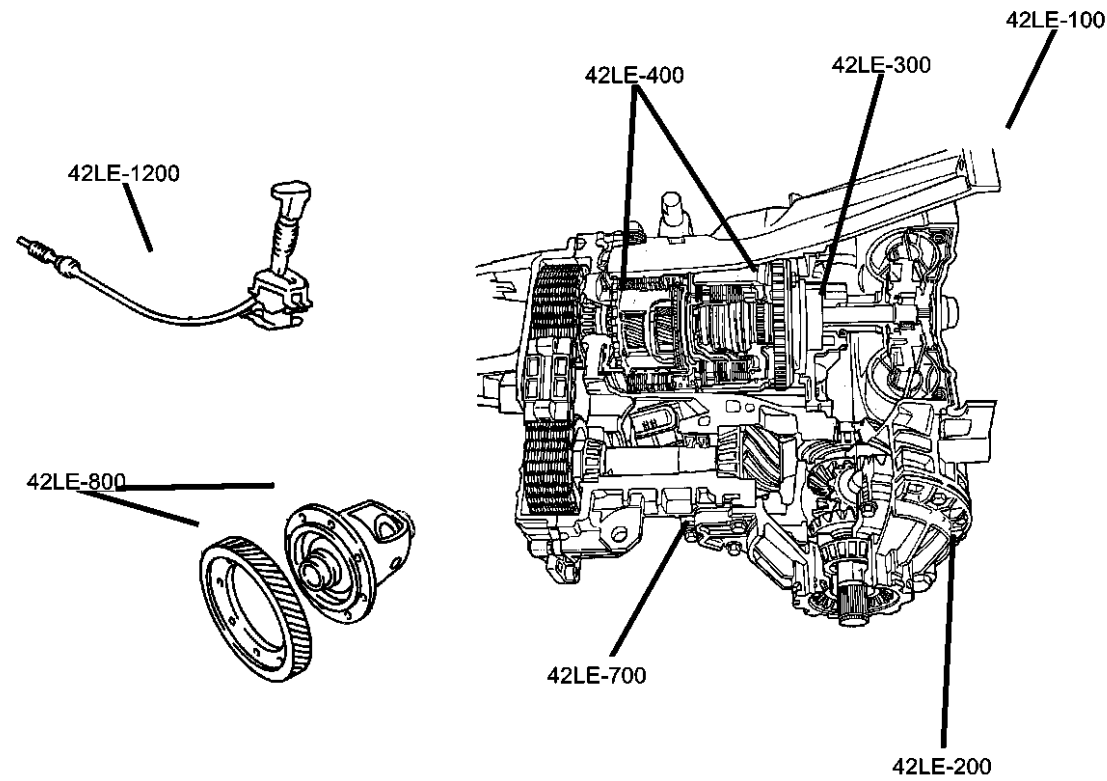


Illustration Title

Group-Fig. No.

Transaxle Assembly

Transmission Assembly	Fig. 42RLE - 110
Overhaul Seal & Gasket Package	Fig. 42RLE - 120

Case and Extension

Case, Transmission	Fig. 42RLE - 210
Adapter & Extension	Fig. 42RLE - 220
Mounting, Transmission	Fig. 42RLE - 230
Collar, Structural	Fig. 42RLE - 240

Oil Pump

Oil Pump & Reaction Shaft	Fig. 42RLE - 310
---------------------------------	------------------

Gear Train


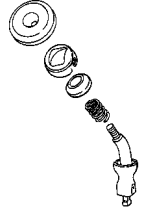
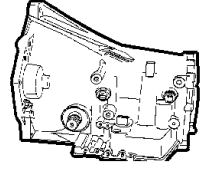

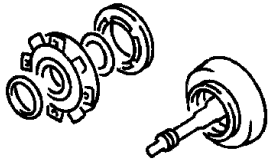
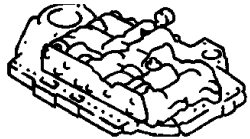
Clutch, Input Shaft	Fig. 42RLE - 410
Gear Train	Fig. 42RLE - 420

Valve Body

Valve Body	Fig. 42RLE - 710
Accumulator Pistons & Springs	Fig. 42RLE - 720
Parking Sprag	Fig. 42RLE - 730

Gearshift Controls

Gearshift Control	Fig. 42RLE - 1210
-------------------------	-------------------

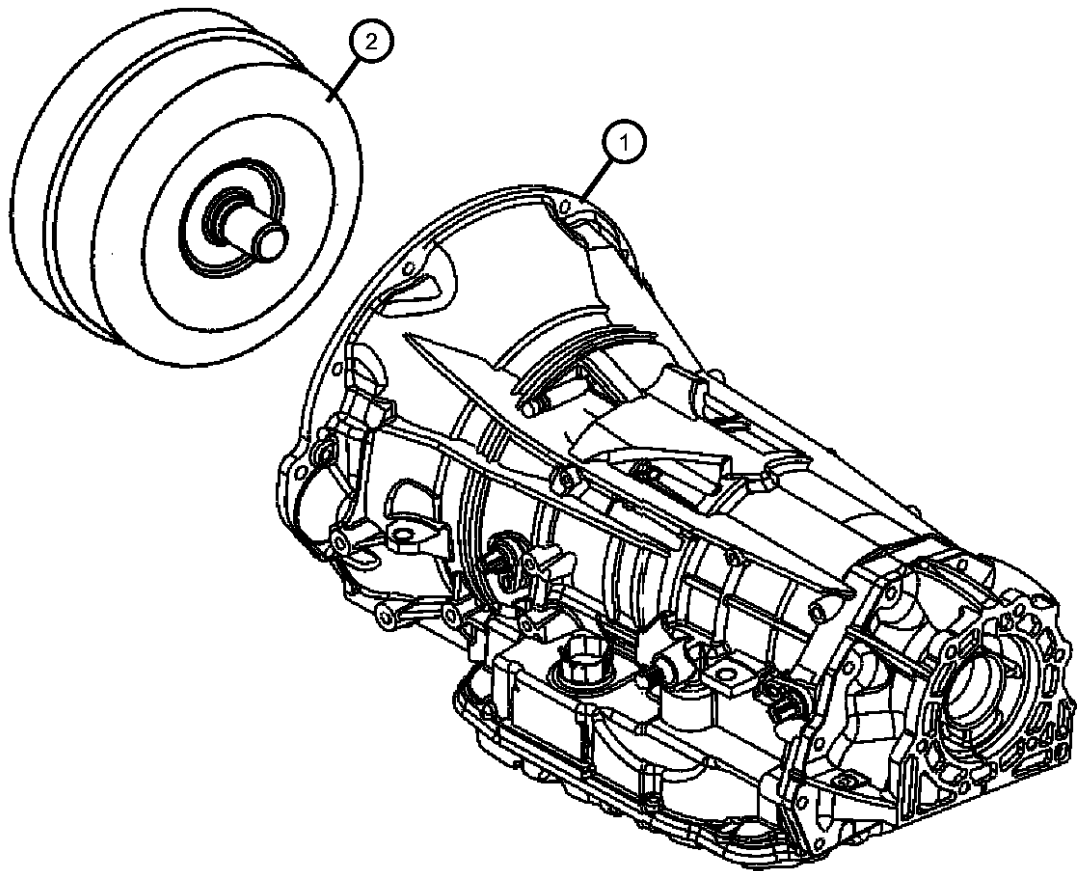
<p>42RLE-100 Transaxle Assembly</p> 	<p>42RLE-1200 Gearshift Controls</p> 	<p>42RLE-200 Case and Extension</p> 	<p>42RLE-300 Oil Pump</p> 
<p>42RLE-400 Gear Train</p> 	<p>42RLE-700 Valve Body</p> 		

**Transmission Assembly
Figure 42RLE-110**

ITEM	PART NUMBER	QTY	LINE	SERIES	BODY	ENGINE	TRANS	TRIM	DESCRIPTION
------	-------------	-----	------	--------	------	--------	-------	------	-------------

NOTE:
Sales Codes:
[DG6]=4 Speed Automatic Transmission - [42RLE]

1									TRANSMISSION KIT, Automatic
	05101883AB	1	T				DG6		
	05013457AA								Mopar Automatic Transmission Fluid Quart
	05013458AA								Mopar Automatic Transmission Fluid Gallon
	R5101883AC								Mopar Remanufactured Part
	05101884AB	1	J, U				DG6		
	05013457AA								Mopar Automatic Transmission Fluid Quart
	05013458AA								Mopar Automatic Transmission Fluid Gallon
	R5101884AC								Mopar Remanufactured Part
2									CONVERTER PACKAGE, Torque
	05093944AA	1	T				DG6		
		1	J, U				DG6		



LIBERTY (KJ)				
SERIES	LINE	BODY	ENGINE	TRANSMISSION
P = Limited	J = LHD (4WD)	74 = 4 Door (104.3 WB)	ED1 = Engine - 2.4L 4 Cyl DOHC 16v SMPI	DDD = Transmission - 5-Speed HD Manual
H = Sport	U = RHD (4WD)		EKG = Engine - 3.7L V6	DDK = Transmission - 5-Speed HD Manual
M = Renegade	T = LHD (2WD)		ENJ = Engine -2.5L 4 Cyl 16V Turbo Diesel	DG4 = Transmission-Multi-Speed Auto, 45RFE
			ENR = Engine - 2.8L 4 Cyl Turbo Diesel	DG6 = Transmission-4-Spd. Automatic, 42RLE
			ENO = 4Cyl Turbo Diesel	DGQ = Transmission-5-Spd Automatic 5-45RFE
			EK0 = All 3.7L	DBB = All Manual Transmissions
			ED0 = All 2.4L	DG0 = All Automatic Transmissions

AR = use ase required - = Non illustrated part

**Overhaul Seal & Gasket Package
Figure 42RLE-120**

ITEM	PART NUMBER	QTY	LINE	SERIES	BODY	ENGINE	TRANS	TRIM	DESCRIPTION
1	05103073AA	1	T				DG6		GASKET PACKAGE, Transmission
		1	J, U				DG6		

①

- 4883260 Seal and Gasket Package, Transmission Oil Pump**
- 4883240AB Seal and Gasket Package, Transmission Front Clutch**
- 5101917AB Gasket and Seal Package, Valve Body**
- 4800253AA Gasket, Clutch Retainer**
- K4659374 Seal, Transmission 2nd & 4th Clutch Piston (D-Ring) Outer**
- K4659376 Seal, Transmission 2nd & 4th Clutch Piston (D-Ring) Inner**
- K4659855 Seal, Reverse Clutch inner**
- K4659856 Seal, Reverse Clutch outer**
- 4431612 Retainer and Seal, Transmission U/Drive Spring**
- 4431610 Piston, Underdrive**
- 4446612 Cup, Parking Brake Sprag**
- 4659946AB Valve, Cooler Bypass**
- 6501702 Snap Ring, Transmission Input Shaft**
- 4799062 Oring, Speed Sensor**
- 4659980 Snap Ring, Underdrive Clutch**
- 4799858AA Snap Ring**
- 6504383 Bolt, Flex Plate to Torque Converter**

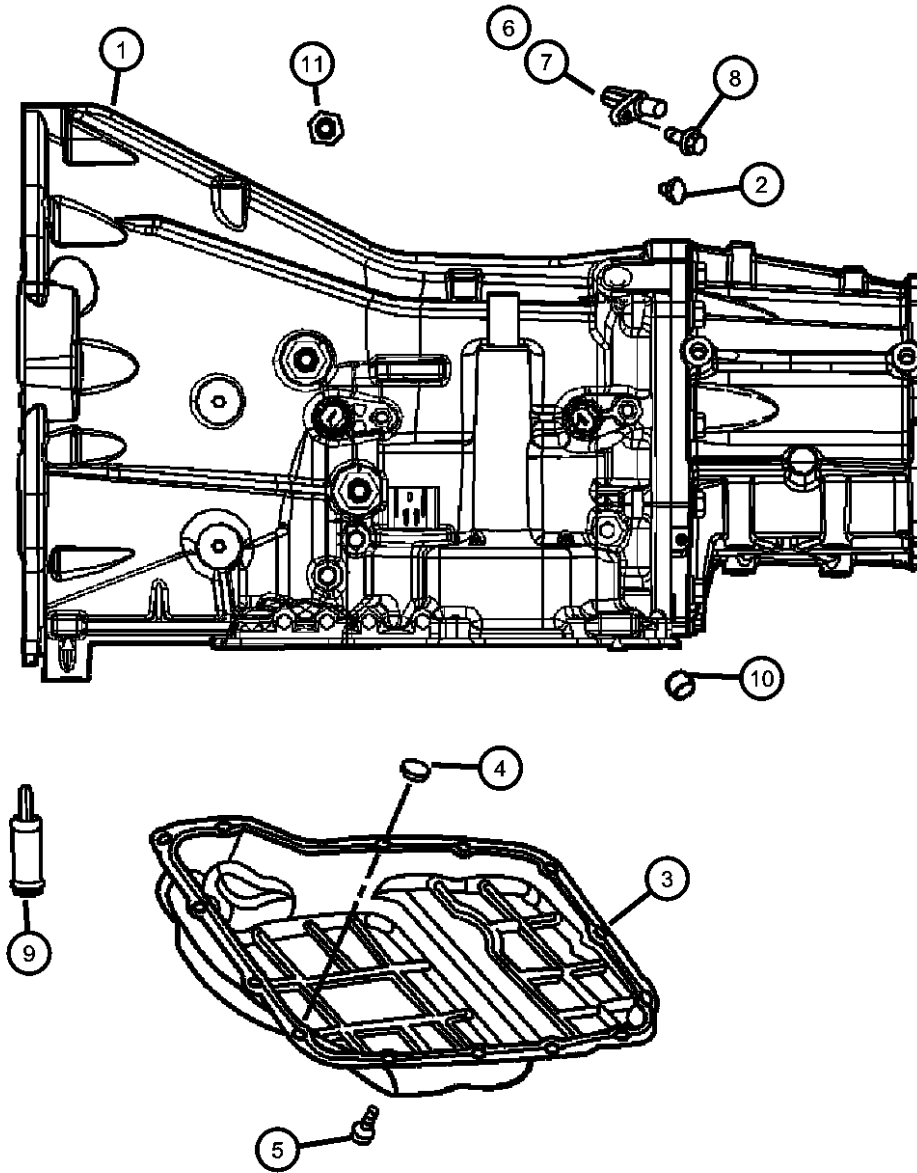
LIBERTY (KJ)

SERIES	LINE	BODY	ENGINE	TRANSMISSION
P = Limited	J = LHD (4WD)	74 = 4 Door (104.3 WB)	ED1 = Engine - 2.4L 4 Cyl DOHC 16v SMPI	DDD = Transmission - 5-Speed HD Manual
H = Sport	U = RHD (4WD)		EKG = Engine - 3.7L V6	DDK = Transmission - 5-Speed HD Manual
M = Renegade	T = LHD (2WD)		ENJ = Engine -2.5L 4 Cyl 16V Turbo Diesel	DG4 = Transmission-Multi-Speed Auto, 45RFE
			ENR = Engine - 2.8L 4 Cyl Turbo Diesel	DG6 = Transmission-4-Spd. Automatic, 42RLE
			ENO = 4Cyl Turbo Diesel	DGQ = Transmission-5-Spd Automatic 5-45RFE
			EKO = All 3.7L	DBB = All Manual Transmissions
			EDO = All 2.4L	DG0 = All Automatic Transmissions

AR = use ase required - = Non illustrated part

2004 KJ

Case, Transmission
Figure 42RLE-210



ITEM	PART NUMBER	QTY	LINE	SERIES	BODY	ENGINE	TRANS	TRIM	DESCRIPTION
1	05101881AA	1	T				DG6		CASE, Transmission
		1	J, U				DG6		
2	04567312	1	J, U				DG6		PLUG, Transaxle Case
		1	T				DG6		
3	52852912AB	5	T				DG6		PAN, Transmission Oil
		5	J, U				DG6		
4	03681601	1	T				DG6		MAGNET, Transmission
		1	J, U				DG6		
5	06501474	15	T				DG6		BOLT, Hex Head, M8x1.25x16
		15	J, U				DG6		
6	04799061AB	1	J, U				DG6		SENSOR, Transmission Input Speed
		1	T				DG6		
7	52854001AA	1	T				DG6		SENSOR, Transmission Output Speed
		1	J, U				DG6		
8	06101331	2	T				DG6		BOLT, M6x1.00x20
		2	J, U				DG6		
9	04659946AB	1	J, U				DG6		VALVE, Cooler Bypass
		1	T				DG6		

LIBERTY (KJ)

SERIES

P = Limited
H = Sport
M = Renegade

LINE

J = LHD (4WD)
U = RHD (4WD)
T = LHD (2WD)

BODY

74 = 4 Door (104.3 WB)

ENGINE

ED1 = Engine - 2.4L 4 Cyl
DOHC 16v SMPI
EKG = Engine - 3.7L V6
ENJ = Engine -2.5L 4 Cyl 16V
Turbo Diesel
ENR = Engine - 2.8L 4 Cyl
Turbo Diesel
ENO = 4Cyl Turbo Diesel
EKO = All 3.7L
EDO = All 2.4L

TRANSMISSION

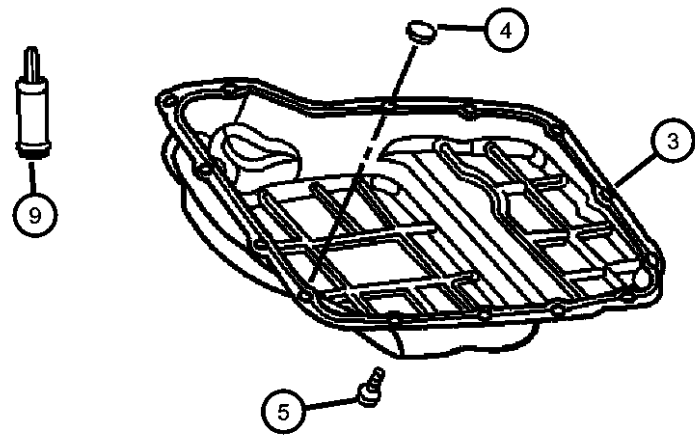
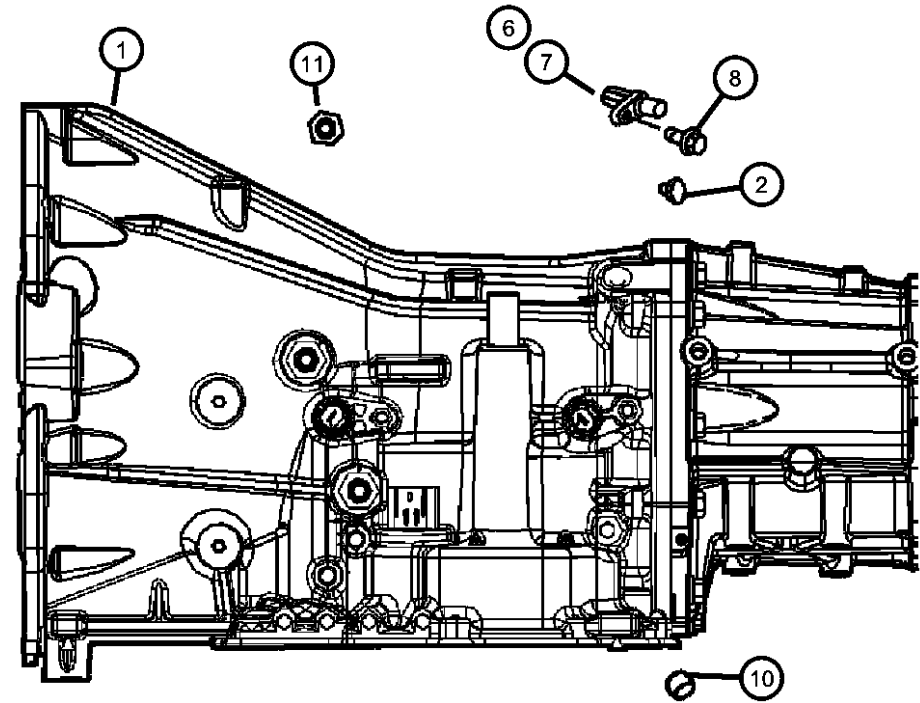
DDD = Transmission - 5-Speed HD
Manual
DDK = Transmission - 5-Speed HD
Manual
DG4 = Transmission-Multi-Speed
Auto, 45RFE
DG6 = Transmission-4-Spd.
Automatic, 42RLE
DGQ = Transmission-5-Spd Automatic
5-45RFE
DBB = All Manual Transmissions
DG0 = All Automatic Transmissions

AR = use ase required - = Non illustrated part

2004 KJ

Case, Transmission
Figure 42RLE-210

ITEM	PART NUMBER	QTY	LINE	SERIES	BODY	ENGINE	TRANS	TRIM	DESCRIPTION
10	04531412	1	T				DG6		BUSHING, Dowel
		1	J, U				DG6		
11	04799433AB	2	T				DG6		NUT, Transmission Case
		2	J, U				DG6		



LIBERTY (KJ)

SERIES LINE
P = Limited J = LHD (4WD)
H = Sport U = RHD (4WD)
M = Renegade T = LHD (2WD)

BODY
74 = 4 Door (104.3 WB)

ENGINE
ED1 = Engine - 2.4L 4 Cyl
DOHC 16v SMPI
EKG = Engine - 3.7L V6
ENJ = Engine -2.5L 4 Cyl 16V
Turbo Diesel
ENR = Engine - 2.8L 4 Cyl
Turbo Diesel
ENO = 4Cyl Turbo Diesel
EKO = All 3.7L
EDO = All 2.4L

TRANSMISSION
DDD = Transmission - 5-Speed HD
Manual
DDK = Transmission - 5-Speed HD
Manual
DG4 = Transmission-Multi-Speed
Auto, 45RFE
DG6 = Transmission-4-Spd.
Automatic, 42RLE
DGQ = Transmission-5-Spd Automatic
5-45RFE
DBB = All Manual Transmissions
DG0 = All Automatic Transmissions

AR = use ase required - = Non illustrated part

2004 KJ

Adapter & Extension
Figure 42RLE-220

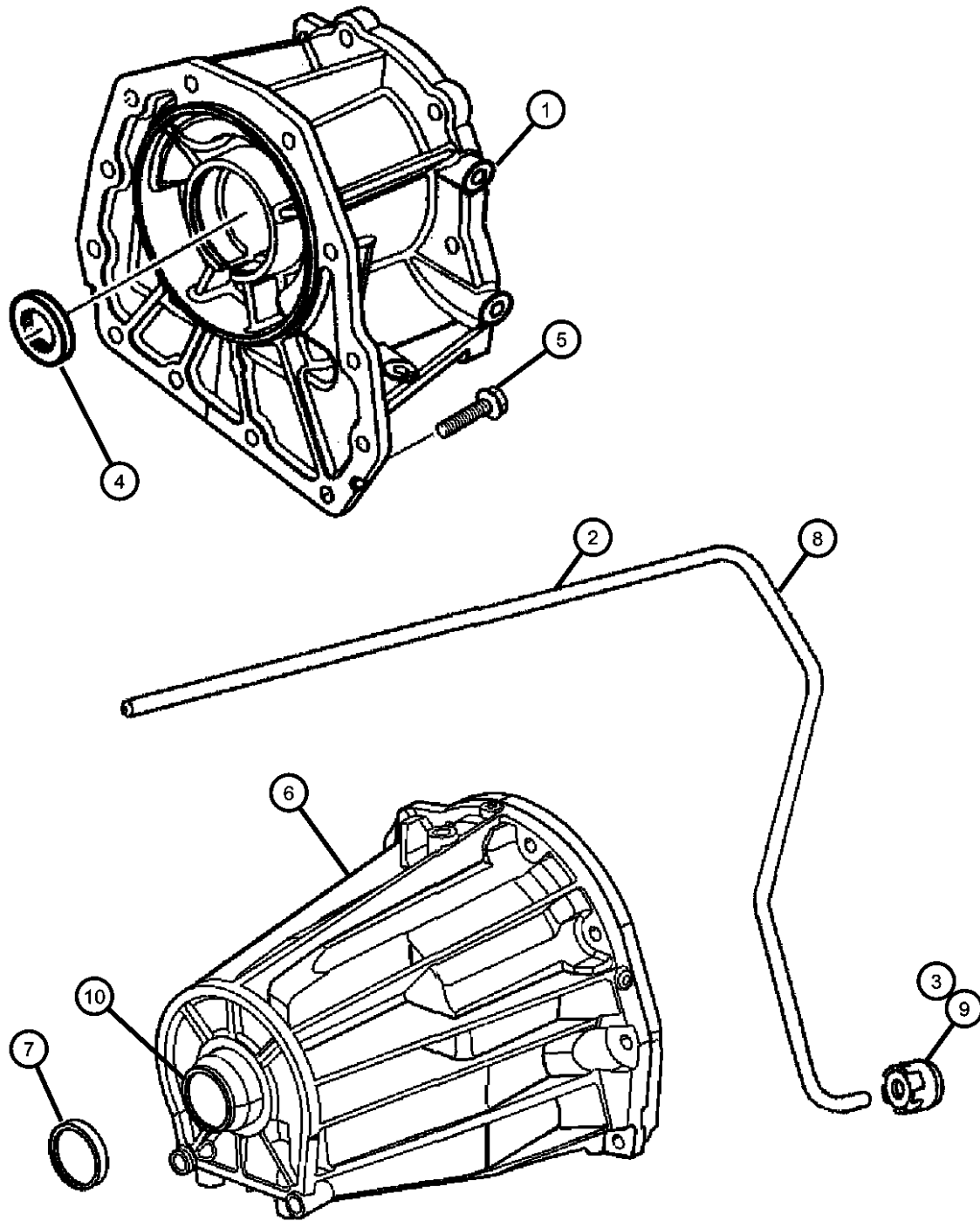
ITEM	PART NUMBER	QTY	LINE	SERIES	BODY	ENGINE	TRANS	TRIM	DESCRIPTION
------	-------------	-----	------	--------	------	--------	-------	------	-------------

NOTE:

Sales Codes:

[DG6]=4 Speed Automatic Transmission - [42RLE]

1	52852986AB	1	J, U				DG6		ADAPTER, Transfer Case
2	52854177AA	1	J, U				DG6		TUBE
3	52852998AA	1	J, U				DG6		SEAL, Transmission, Lube Tube Grommet
4	04269956AB	1	J, U				DG6		SEAL, Adapter
5	06504774	7	J, U				DG6		SCREW AND WASHER, Hex Head, M10x1.5x37
6	52852987AA	1	T				DG6		HOUSING, Transmission Rear Extension
7	04531216AB	1	T				DG6		SEAL, Output Shaft
8	52854166AA	1	T				DG6		TUBE
9	52852998AA	1	T				DG6		SEAL, Transmission, Lube Tube Grommet
10	52852998AA	1							BUSHING, (NOT SERVICED)



LIBERTY (KJ)

SERIES

P = Limited
H = Sport
M = Renegade

LINE

J = LHD (4WD)
U = RHD (4WD)
T = LHD (2WD)

BODY

74 = 4 Door (104.3 WB)

ENGINE

ED1 = Engine - 2.4L 4 Cyl
DOHC 16v SMPI
EKG = Engine - 3.7L V6
ENJ = Engine -2.5L 4 Cyl 16V
Turbo Diesel
ENR = Engine - 2.8L 4 Cyl
Turbo Diesel
ENO = 4Cyl Turbo Diesel
EKO = All 3.7L
EDO = All 2.4L

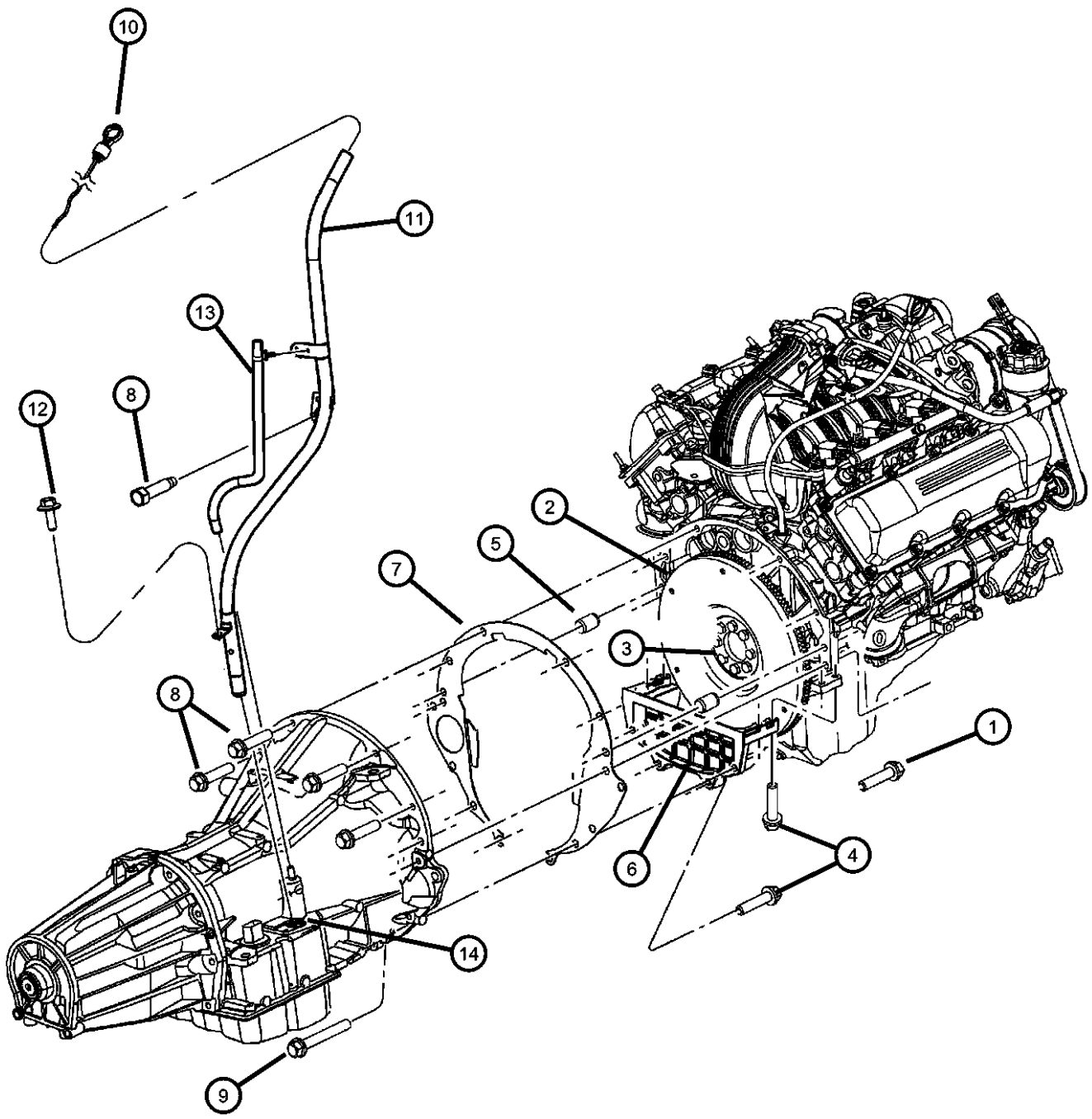
TRANSMISSION

DDD = Transmission - 5-Speed HD
Manual
DDK = Transmission - 5-Speed HD
Manual
DG4 = Transmission-Multi-Speed
Auto, 45RFE
DG6 = Transmission-4-Spd.
Automatic, 42RLE
DGQ = Transmission-5-Spd Automatic
5-45RFE
DBB = All Manual Transmissions
DG0 = All Automatic Transmissions

AR = use ase required - = Non illustrated part

2004 KJ

**Mounting, Transmission
Figure 42RLE-230**



ITEM	PART NUMBER	QTY	LINE	SERIES	BODY	ENGINE	TRANS	TRIM	DESCRIPTION
------	-------------	-----	------	--------	------	--------	-------	------	-------------

NOTE:
Sales Codes:
[DG6]=4 Speed Automatic Transmission - 42RLE
[DG0]=All Automatic Transmissions
[EK0]=All 3.7L V-6 Engines

1	06036385AA	2				EK0	DG0		SCREW AND WASHER, Hex Head, .437-14x2.00
2	04736253AA	1				EK0	DG6		PLATE, Torque Converter Drive
3	06503465	8				EK0	DG0		BOLT, Drive Plate and Flywheel
4	06101985	8				EK0			SCREW AND WASHER, M10x1.50x45.00
5	01122532	2				EK0			DOWEL, Block To Clutch Housing
6	53021282AA	1				EK0			COVER, Engine
7	52104344AA	1				EK0	DG0		COVER, Transmission Dust
8	06022266	4				EK0	DG0		SCREW, Hex Head, .375-16x1.5
9	06101985	8				EK0			SCREW AND WASHER, M10x1.50x45.00
10	53013592AB	1					DG6		INDICATOR, Transmission Fluid Level
11	53013591AB	1				EK0	DG6		TUBE, Transmission Oil Filler
12	06501979	1							SCREW AND WASHER, Hex Head, M6x1x17
13	53013593AA	1					DG6		TUBE, Vent
14									GROMMET
	04810021	1			T		DG6		
		1			J, U		DG6		
-15									SEAL, Torque Converter Hub
	05222629	1			T		DG6		
		1			J, U		DG6		

LIBERTY (KJ)					
SERIES	LINE	BODY	ENGINE	TRANSMISSION	
P = Limited	J = LHD (4WD)	74 = 4 Door (104.3 WB)	ED1 = Engine - 2.4L 4 Cyl DOHC 16v SMPI	DDD = Transmission - 5-Speed HD Manual	
H = Sport	U = RHD (4WD)		EKG = Engine - 3.7L V6	DDK = Transmission - 5-Speed HD Manual	
M = Renegade	T = LHD (2WD)		ENJ = Engine -2.5L 4 Cyl 16V Turbo Diesel	DG4 = Transmission-Multi-Speed Auto, 45RFE	
			ENR = Engine - 2.8L 4 Cyl Turbo Diesel	DG6 = Transmission-4-Spd. Automatic, 42RLE	
			ENO = 4Cyl Turbo Diesel	DGQ = Transmission-5-Spd Automatic 5-45RFE	
			EK0 = All 3.7L	DBB = All Manual Transmissions	
			ED0 = All 2.4L	DG0 = All Automatic Transmissions	

AR = use ase required - = Non illustrated part

**Collar, Structural
Figure 42RLE-240**

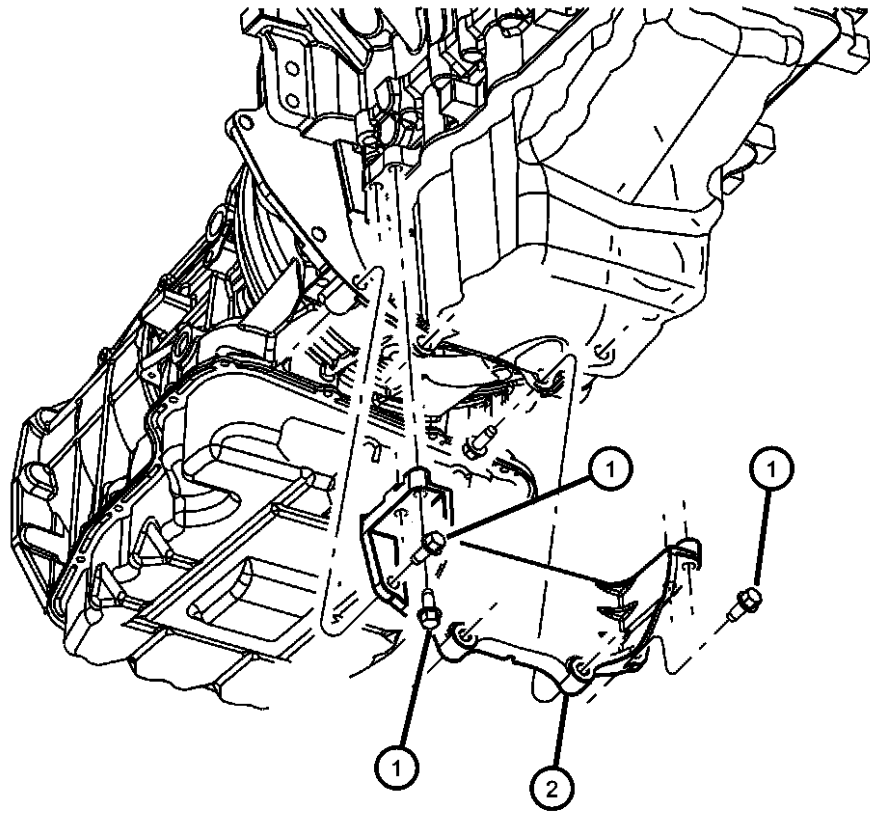
ITEM	PART NUMBER	QTY	LINE	SERIES	BODY	ENGINE	TRANS	TRIM	DESCRIPTION
------	-------------	-----	------	--------	------	--------	-------	------	-------------

NOTE:

Sales Codes:

[EK0]=All 3.7L V-6 Engines

1	06101985	8				EK0			SCREW AND WASHER, M10x1.50x45.00
2	53021282AA	1				EK0			COVER, Engine



LIBERTY (KJ)

SERIES

P = Limited
H = Sport
M = Renegade

LINE

J = LHD (4WD)
U = RHD (4WD)
T = LHD (2WD)

BODY

74 = 4 Door (104.3 WB)

ENGINE

ED1 = Engine - 2.4L 4 Cyl
DOHC 16v SMPI
EKG = Engine - 3.7L V6
ENJ = Engine -2.5L 4 Cyl 16V
Turbo Diesel
ENR = Engine - 2.8L 4 Cyl
Turbo Diesel
ENO = 4Cyl Turbo Diesel
EK0 = All 3.7L
ED0 = All 2.4L

TRANSMISSION

DDD = Transmission - 5-Speed HD
Manual
DDK = Transmission - 5-Speed HD
Manual
DG4 = Transmission-Multi-Speed
Auto, 45RFE
DG6 = Transmission-4-Spd.
Automatic, 42RLE
DGQ = Transmission-5-Spd Automatic
5-45RFE
DBB = All Manual Transmissions
DG0 = All Automatic Transmissions

AR = use ase required - = Non illustrated part

2004 KJ

**Oil Pump & Reaction Shaft
Figure 42RLE-310**

ITEM	PART NUMBER	QTY	LINE	SERIES	BODY	ENGINE	TRANS	TRIM	DESCRIPTION
-1									SEAL AND GASKET PACKAGE, Transmission Oil Pump
	04883260	1	T				DG6		
		1	J, U				DG6		
2									PUMP, Transmission Oil
	05101872AA	1	T				DG6		
		1	J, U				DG6		
3									SEAL, Ring Reaction Support, 2 1/16 O.D.
	04471874	4	T				DG6		
		4	J, U				DG6		
4									BOLT, Hex Head, M8x1.25x19
	06500211	6	T				DG6		
		6	J, U				DG6		
5									BALL, Transmission Oil Pump
	00152127	6	T				DG6		
		6	J, U				DG6		
6									GASKET, Transmission Oil Pump
	04412844	1	T				DG6		
		1	J, U				DG6		
7									SCREW AND WASHER, Hex Flange Head, M8x1.25x25
	06506408AA	5	T				DG6		
		5	J, U				DG6		
8									SEAL, Oil Pump
	04659945	1	T				DG6		
		1	J, U				DG6		
9									BUSHING, Front Pump
	04659515	1	T				DG6		
		1	J, U				DG6		

LIBERTY (KJ)

SERIES	LINE
P = Limited	J = LHD (4WD)
H = Sport	U = RHD (4WD)
M = Renegade	T = LHD (2WD)

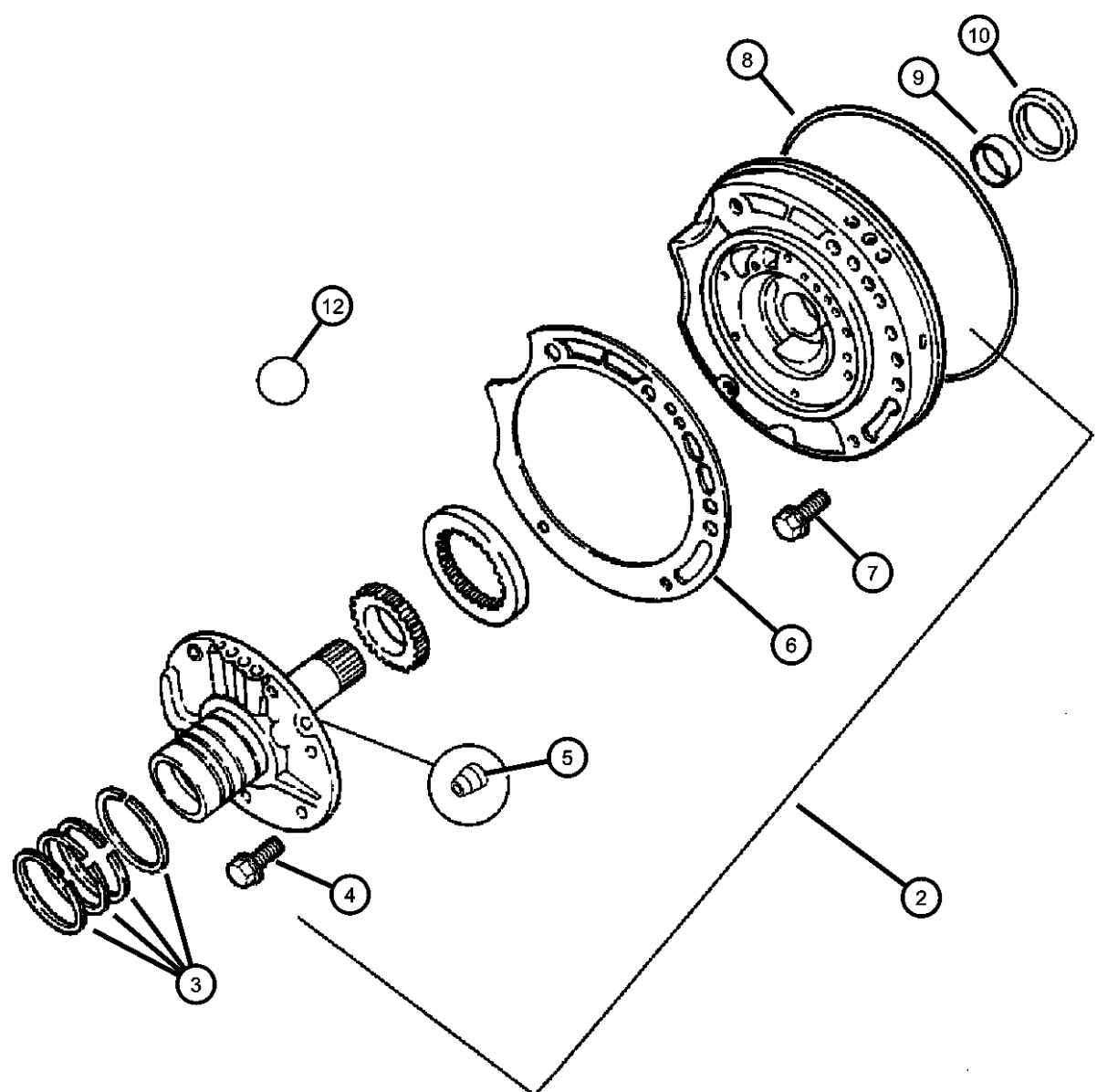
BODY
74 = 4 Door (104.3 WB)

ENGINE
ED1 = Engine - 2.4L 4 Cyl
DOHC 16v SMPI
EKG = Engine - 3.7L V6
ENJ = Engine -2.5L 4 Cyl 16V
Turbo Diesel
ENR = Engine - 2.8L 4 Cyl
Turbo Diesel
ENO = 4Cyl Turbo Diesel
EKO = All 3.7L
EDO = All 2.4L

TRANSMISSION
DDD = Transmission - 5-Speed HD
Manual
DDK = Transmission - 5-Speed HD
Manual
DG4 = Transmission-Multi-Speed
Auto, 45RFE
DG6 = Transmission-4-Spd.
Automatic, 42RLE
DGQ = Transmission-5-Spd Automatic
5-45RFE
DBB = All Manual Transmissions
DG0 = All Automatic Transmissions

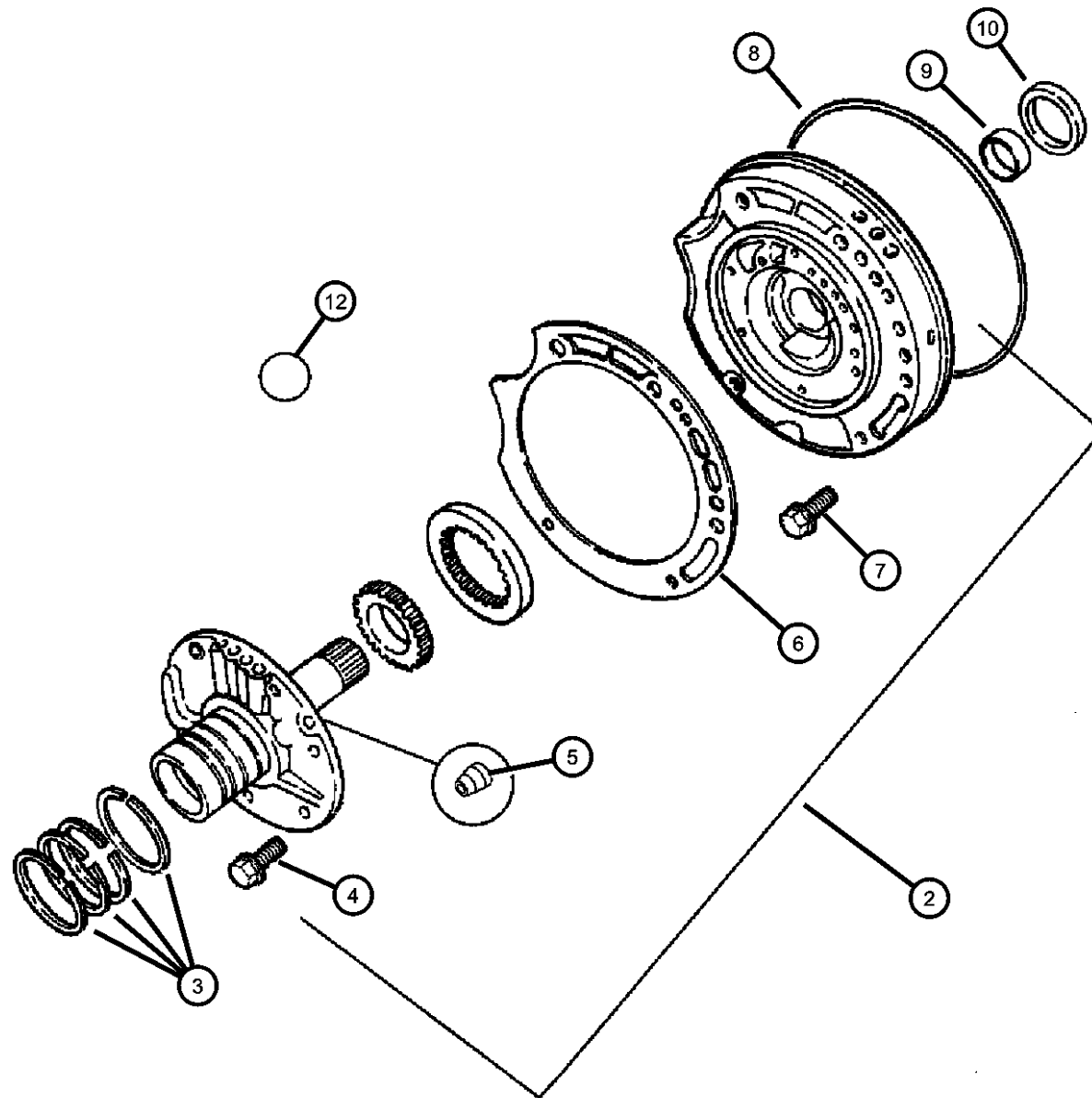
AR = use ase required - = Non illustrated part

2004 KJ



**Oil Pump & Reaction Shaft
Figure 42RLE-310**

ITEM	PART NUMBER	QTY	LINE	SERIES	BODY	ENGINE	TRANS	TRIM	DESCRIPTION
10									SEAL, Impeller Hub, 57.25mm OD
	04412475	1	T				DG6		
		1	J, U				DG6		
-11									GASKET, Transmission Oil Pump
	04412844	1	T				DG6		
		1	J, U				DG6		
12									BALL, Check
	00147482	2	T				DG6		Transmission Reaction Shaft
		2	J, U				DG6		Transmission Reaction Shaft
	04446616	2	T				DG6		Support
		2	J, U				DG6		Support



LIBERTY (KJ)

SERIES LINE
P = Limited J = LHD (4WD)
H = Sport U = RHD (4WD)
M = Renegade T = LHD (2WD)

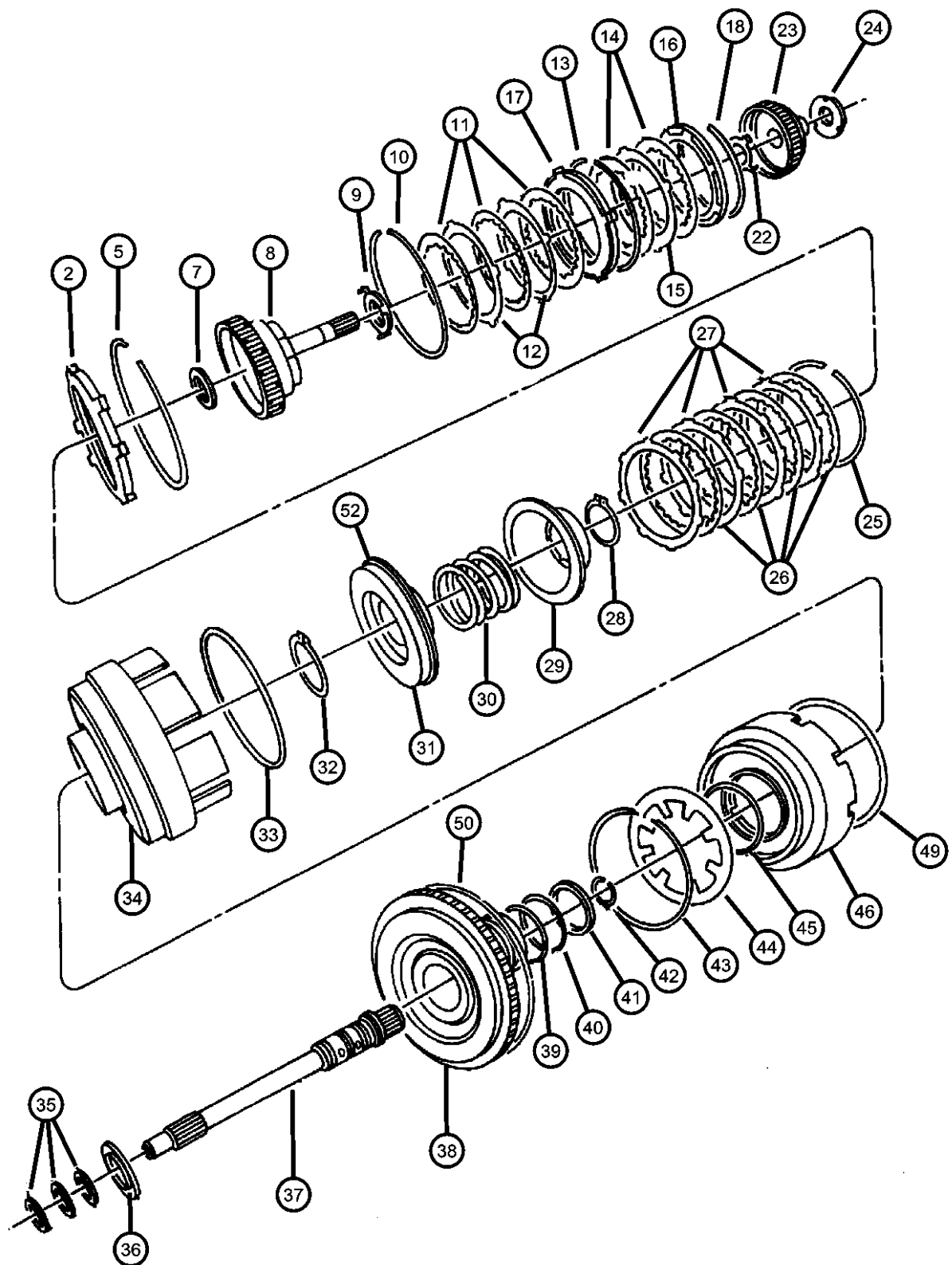
BODY
74 = 4 Door (104.3 WB)

ENGINE
ED1 = Engine - 2.4L 4 Cyl
DOHC 16v SMPI
EKG = Engine - 3.7L V6
ENJ = Engine -2.5L 4 Cyl 16V
Turbo Diesel
ENR = Engine - 2.8L 4 Cyl
Turbo Diesel
ENO = 4Cyl Turbo Diesel
EKO = All 3.7L
EDO = All 2.4L

TRANSMISSION
DDD = Transmission - 5-Speed HD
Manual
DDK = Transmission - 5-Speed HD
Manual
DG4 = Transmission-Multi-Speed
Auto, 45RFE
DG6 = Transmission-4-Spd.
Automatic, 42RLE
DGQ = Transmission-5-Spd Automatic
5-45RFE
DBB = All Manual Transmissions
DG0 = All Automatic Transmissions

AR = use ase required - = Non illustrated part

Clutch, Input Shaft
Figure 42RLE-410



ITEM	PART NUMBER	QTY	LINE	SERIES	BODY	ENGINE	TRANS	TRIM	DESCRIPTION
									NOTE: Sales Codes: [DG6]=4 Speed Automatic Transmission - 42RLE
-1									SEAL AND GASKET PACKAGE, Transmission Front Clutch
	04883240AB	1	T				DG6		
		1	J, U				DG6		
2									PLATE PACKAGE, Underdrive Reaction, 5.72/5.82
	04883013AB	1	T				DG6		
		1	J, U				DG6		
-3									PLATE PACKAGE, Underdrive Reaction, 6.21/6.31
	04883014AB	1	T				DG6		
		1	J, U				DG6		
-4									PLATE PACKAGE, Underdrive Reaction, 6.70/6.80
	04883015AB	1	T				DG6		
		1	J, U				DG6		
5									SNAP RING, Underdrive Clutch, Tapered
	04659934	1	T				DG6		
		1	J, U				DG6		
-6									SNAP RING, Underdrive Clutch, Flat
	04659980	1	T				DG6		
		1	J, U				DG6		
7									THRUST BEARING
	04567262	1	T				DG6		
		1	J, U				DG6		
8									HUB AND SHAFT PACKAGE, Underdrive Clutch
	04864936AC	1	T				DG6		
		1	J, U				DG6		

LIBERTY (KJ)

SERIES

P = Limited
H = Sport
M = Renegade

LINE

J = LHD (4WD)
U = RHD (4WD)
T = LHD (2WD)

BODY

74 = 4 Door (104.3 WB)

ENGINE

ED1 = Engine - 2.4L 4 Cyl
DOHC 16v SMPI
EKG = Engine - 3.7L V6
ENJ = Engine -2.5L 4 Cyl 16V
Turbo Diesel
ENR = Engine - 2.8L 4 Cyl
Turbo Diesel
ENO = 4Cyl Turbo Diesel
EKO = All 3.7L
EDO = All 2.4L

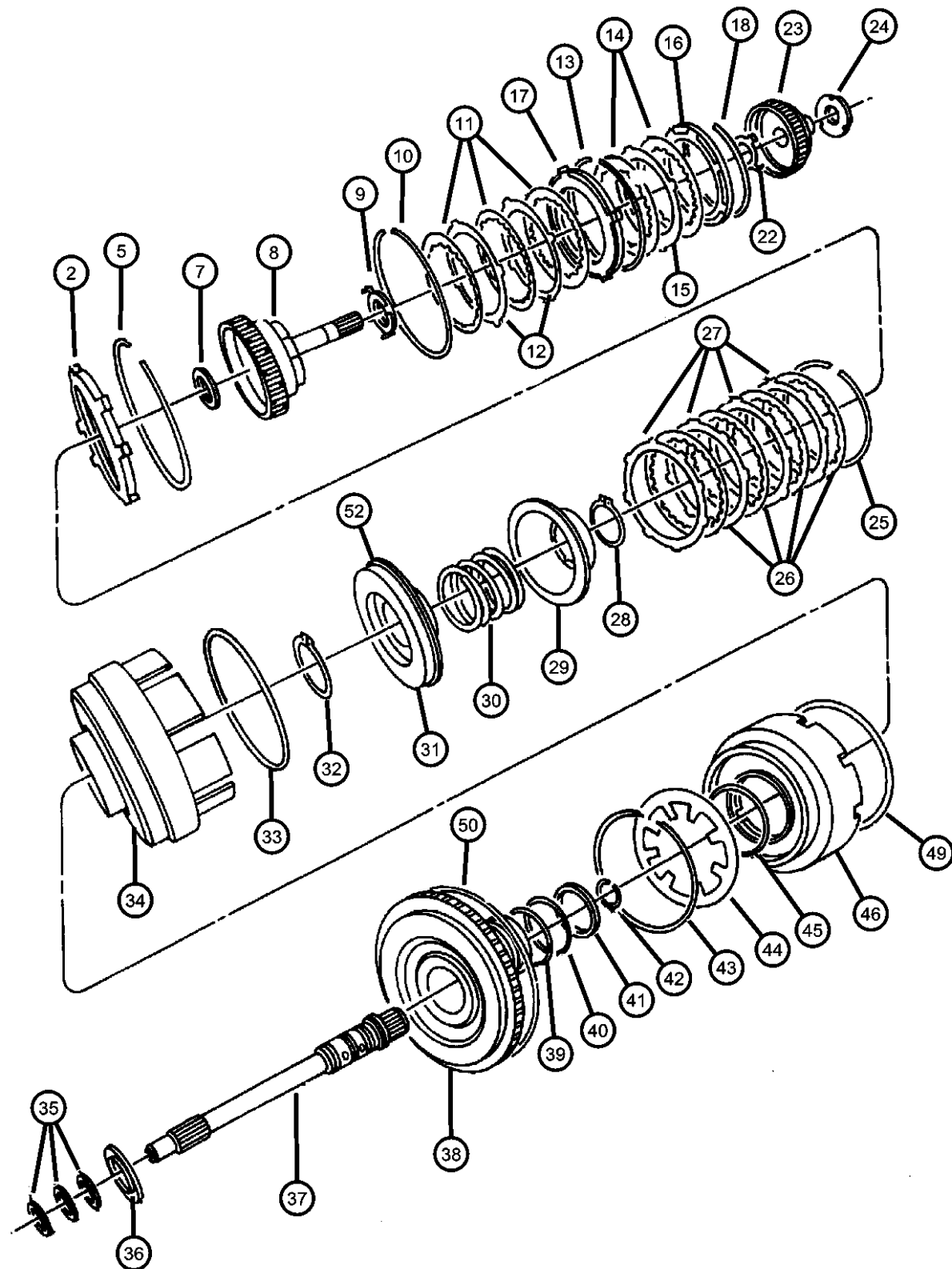
TRANSMISSION

DDD = Transmission - 5-Speed HD
Manual
DDK = Transmission - 5-Speed HD
Manual
DG4 = Transmission-Multi-Speed
Auto, 45RFE
DG6 = Transmission-4-Spd.
Automatic, 42RLE
DGQ = Transmission-5-Spd Automatic
5-45RFE
DBB = All Manual Transmissions
DG0 = All Automatic Transmissions

AR = use ase required - = Non illustrated part

2004 KJ

Clutch, Input Shaft
Figure 42RLE-410



ITEM	PART NUMBER	QTY	LINE	SERIES	BODY	ENGINE	TRANS	TRIM	DESCRIPTION
9									PLATE AND WASHER PACKAGE, Thrust
	05018923AA	1	T				DG6		
		1	J, U				DG6		
10									SNAP RING
	04505621	1	T				DG6		
		1	J, U				DG6		
11									DISC, Clutch
	04531678	4	T				DG6		
		4	J, U				DG6		
12									PLATE, Transmission O/Drive Clutch
	04659053	3	T				DG6		
		3	J, U				DG6		
13									SNAP RING
	04505622	1	T				DG6		
		1	J, U				DG6		
14									DISC, Clutch
	04531678	4	T				DG6		
		4	J, U				DG6		
15									PLATE, Transmission O/Drive Clutch
	04659053	3	T				DG6		
		3	J, U				DG6		
16									PLATE, Transmission Clutch Reaction
	04377194	1	T				DG6		
		1	J, U				DG6		
17									PLATE, Transmission O/Drive Clutch
	04531556AD	1	T				DG6		
		1	J, U				DG6		

LIBERTY (KJ)

SERIES

P = Limited
H = Sport
M = Renegade

LINE

J = LHD (4WD)
U = RHD (4WD)
T = LHD (2WD)

BODY

74 = 4 Door (104.3 WB)

ENGINE

ED1 = Engine - 2.4L 4 Cyl
DOHC 16v SMPI
EKG = Engine - 3.7L V6
ENJ = Engine - 2.5L 4 Cyl 16V
Turbo Diesel
ENR = Engine - 2.8L 4 Cyl
Turbo Diesel
ENO = 4Cyl Turbo Diesel
EKO = All 3.7L
EDO = All 2.4L

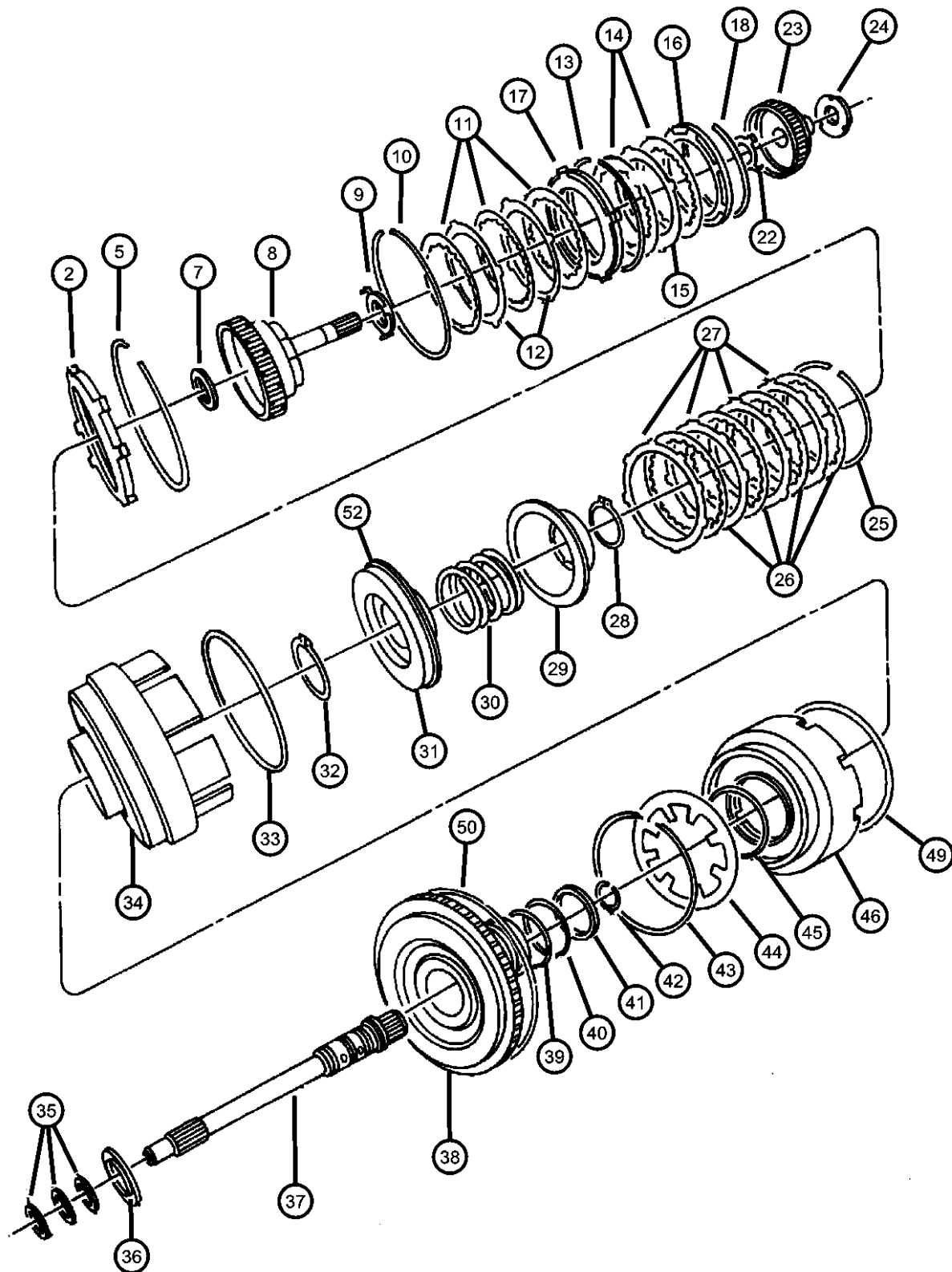
TRANSMISSION

DDD = Transmission - 5-Speed HD
Manual
DDK = Transmission - 5-Speed HD
Manual
DG4 = Transmission-Multi-Speed
Auto, 45RFE
DG6 = Transmission-4-Spd.
Automatic, 42RLE
DGQ = Transmission-5-Spd Automatic
5-45RFE
DBB = All Manual Transmissions
DG0 = All Automatic Transmissions

AR = use ase required - = Non illustrated part

2004 KJ

Clutch, Input Shaft
Figure 42RLE-410



ITEM	PART NUMBER	QTY	LINE	SERIES	BODY	ENGINE	TRANS	TRIM	DESCRIPTION
18	04377195	1	T				DG6		SNAP RING
		1	J, U				DG6		
-19	04412871	1	T				DG6		SNAP RING, Reverse Clutch, 1.77-1.83mm
		1	J, U				DG6		
-20	04412872	1	T				DG6		SNAP RING, Reverse Clutch, 2.02-2.07mm
		1	J, U				DG6		
-21	04412873	1	T				DG6		SNAP RING, Reverse Clutch, 2.27-2.32mm
		1	J, U				DG6		
22	05018923AA	1	T				DG6		PLATE AND WASHER PACKAGE, Thrust
		1	J, U				DG6		
23	04659993	1	T				DG6		HUB AND SHAFT, Overdrive Clutch
		1	J, U				DG6		
24	03836237AB	AR	T				DG6		PLATE, Transmission O/Drive Clutch [1.70 - 1.77MM]
		AR	J, U				DG6		[1.70 - 1.77MM]
	03836238AB	AR	T				DG6		[1.92 - 1.99MM]
		AR	J, U				DG6		[1.92 - 1.99MM]
	03836239AB	AR	T				DG6		[2.14 - 2.21MM]
		AR	J, U				DG6		[2.14 - 2.21MM]
	03836240AB	AR	T				DG6		[2.36 - 2.43MM]
		AR	J, U				DG6		[2.36 - 2.43MM]

LIBERTY (KJ)

SERIES

P = Limited
H = Sport
M = Renegade

LINE

J = LHD (4WD)
U = RHD (4WD)
T = LHD (2WD)

BODY

74 = 4 Door (104.3 WB)

ENGINE

ED1 = Engine - 2.4L 4 Cyl DOHC 16v SMPI
EKG = Engine - 3.7L V6
ENJ = Engine - 2.5L 4 Cyl 16V Turbo Diesel
ENR = Engine - 2.8L 4 Cyl Turbo Diesel
ENO = 4Cyl Turbo Diesel
EK0 = All 3.7L
ED0 = All 2.4L

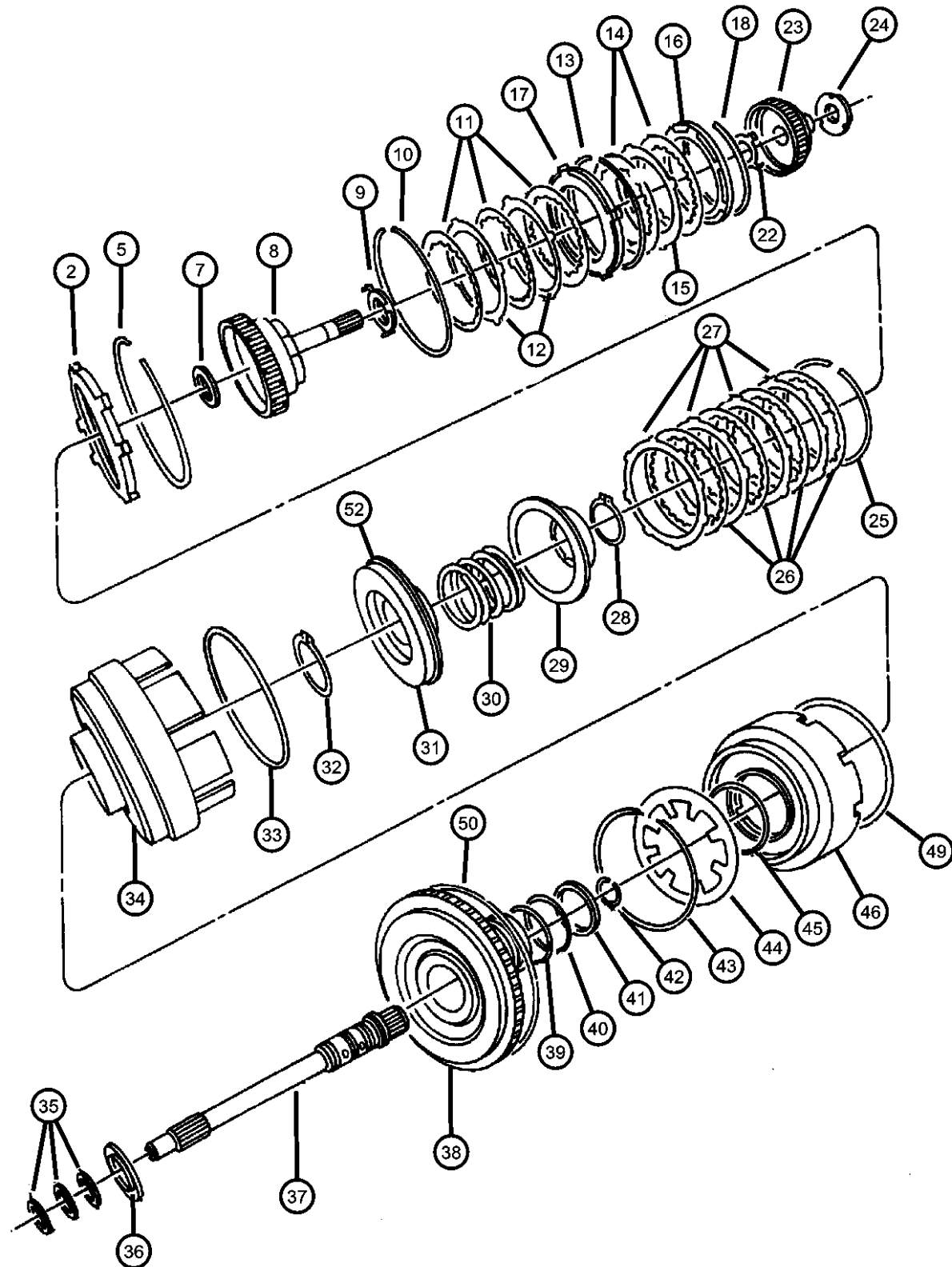
TRANSMISSION

DDD = Transmission - 5-Speed HD Manual
DDK = Transmission - 5-Speed HD Manual
DG4 = Transmission-Multi-Speed Auto, 45RFE
DG6 = Transmission-4-Spd. Automatic, 42RLE
DGQ = Transmission-5-Spd Automatic 5-45RFE
DBB = All Manual Transmissions
DG0 = All Automatic Transmissions

AR = use ase required - = Non illustrated part

2004 KJ

Clutch, Input Shaft
Figure 42RLE-410



ITEM	PART NUMBER	QTY	LINE	SERIES	BODY	ENGINE	TRANS	TRIM	DESCRIPTION
	03836241AB	AR	T				DG6		[2.58 - 2.65MM]
		AR	J, U				DG6		[2.58 - 2.65MM]
	04431665AB	AR	T				DG6		[1.55 - 1.66MM]
		AR	J, U				DG6		[1.55 - 1.66MM]
	04431666AB	AR	T				DG6		[1.81 - 1.88MM]
		AR	J, U				DG6		[1.81 - 1.88MM]
	04431667AB	AR	T				DG6		[2.03 - 2.10MM]
		AR	J, U				DG6		[2.03 - 2.10MM]
	04431668AB	AR	T				DG6		[2.25 - 2.32MM]
		AR	J, U				DG6		[2.25 - 2.32MM]
	04431669AB	AR	T				DG6		[2.47 - 2.54MM]
		AR	J, U				DG6		[2.47 - 2.54MM]
	04446670AB	AR	T				DG6		[2.69 - 2.76MM]
		AR	J, U				DG6		[2.69 - 2.76MM]
	04446671AB	AR	T				DG6		[2.91 - 2.98MM]
		AR	J, U				DG6		[2.91 - 2.98MM]
25									SNAP RING, Underdrive Clutch, Flat
	04659980	1	T				DG6		[1.53 - 1.58MM]
		1	J, U				DG6		[1.53 - 1.58MM]
26									DISC, Clutch
	04531678	4	T				DG6		
		4	J, U				DG6		
27									PLATE, Transmission O/Drive Clutch
	04659053	4	T				DG6		
		4	J, U				DG6		
28									SNAP RING
	06501715	1	T				DG6		
		1	J, U				DG6		

LIBERTY (KJ)

SERIES

P = Limited
H = Sport
M = Renegade

LINE

J = LHD (4WD)
U = RHD (4WD)
T = LHD (2WD)

BODY

74 = 4 Door (104.3 WB)

ENGINE

ED1 = Engine - 2.4L 4 Cyl
DOHC 16v SMPI
EKG = Engine - 3.7L V6
ENJ = Engine -2.5L 4 Cyl 16V
Turbo Diesel
ENR = Engine - 2.8L 4 Cyl
Turbo Diesel
ENO = 4Cyl Turbo Diesel
EKO = All 3.7L
EDO = All 2.4L

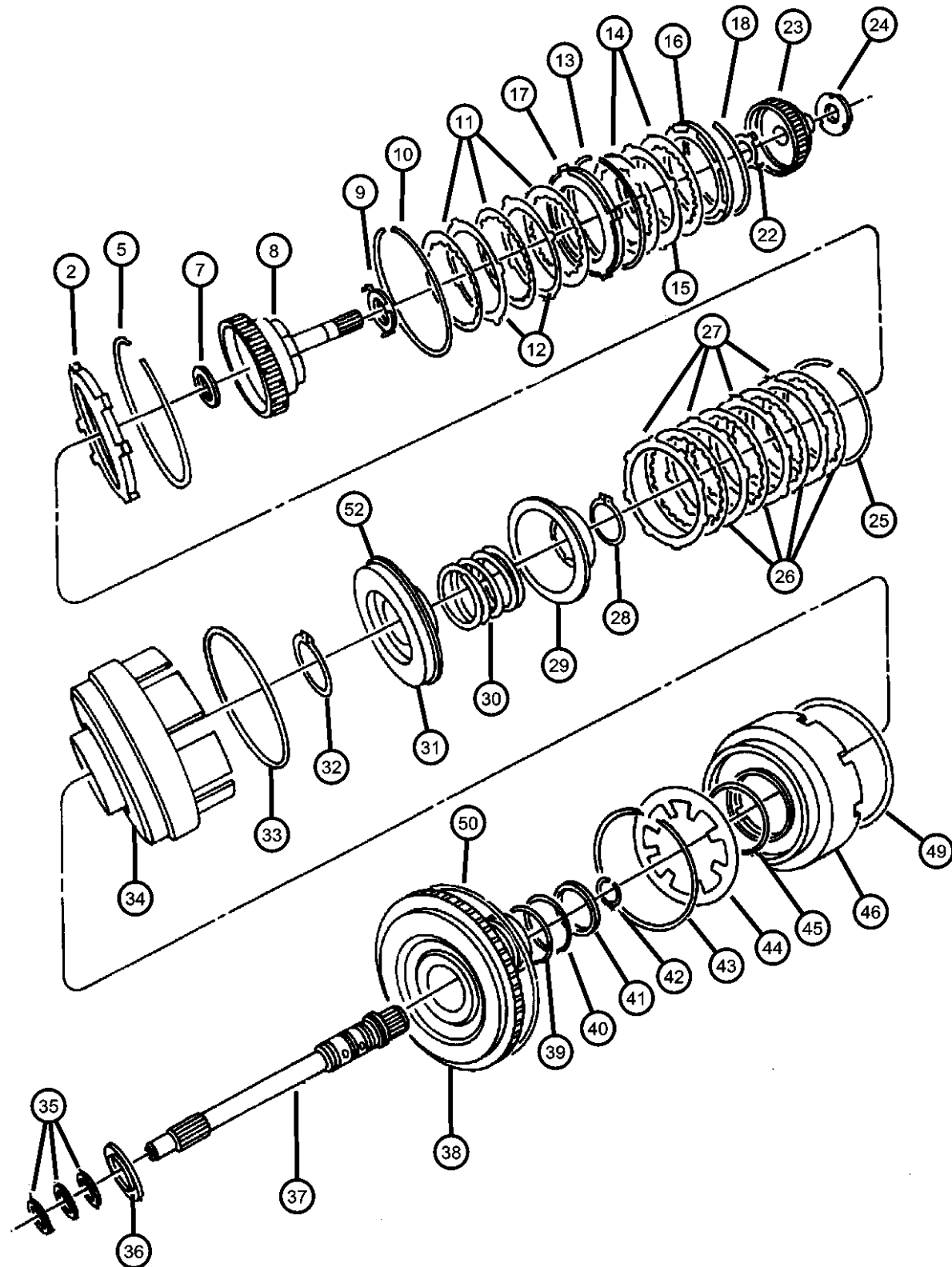
TRANSMISSION

DDD = Transmission - 5-Speed HD
Manual
DDK = Transmission - 5-Speed HD
Manual
DG4 = Transmission-Multi-Speed
Auto, 45RFE
DG6 = Transmission-4-Spd.
Automatic, 42RLE
DGQ = Transmission-5-Spd Automatic
5-45RFE
DBB = All Manual Transmissions
DG0 = All Automatic Transmissions

AR = use ase required - = Non illustrated part

2004 KJ

Clutch, Input Shaft
Figure 42RLE-410



ITEM	PART NUMBER	QTY	LINE	SERIES	BODY	ENGINE	TRANS	TRIM	DESCRIPTION
29									RETAINER AND SEAL, Transmission U/Drive Spring
	04431612	1	T				DG6		
		1	J, U				DG6		
30									SPRING, Drive Lower Case
	04377177	1	T				DG6		
		1	J, U				DG6		
31									GASKET PACKAGE, Transmission
	05103073AA	1	T				DG6		
		1	J, U				DG6		
32									SNAP RING
	06507226AA	1	T				DG6		
		1	J, U				DG6		
33									SEAL, Piston Outer, 140mm OD
	04659871	1	T				DG6		
		1	J, U				DG6		
34									RETAINER, Transmission Input Clutch
	04659935	1	T				DG6		
		1	J, U				DG6		
35									SEAL, Input Shaft
	04446543	3	T				DG6		
		3	J, U				DG6		
36									THRUST BEARING
	04412209	1	T				DG6		
		1	J, U				DG6		
37									INPUT SHAFT PACKAGE, Transaxle
	04626452AB	1	T				DG6		
		1	J, U				DG6		
38		1							HUB, Input Clutch, Serviced in Assembly, (NOT SERVICED)

LIBERTY (KJ)

SERIES

P = Limited
H = Sport
M = Renegade

LINE

J = LHD (4WD)
U = RHD (4WD)
T = LHD (2WD)

BODY

74 = 4 Door (104.3 WB)

ENGINE

ED1 = Engine - 2.4L 4 Cyl DOHC 16v SMPI
EKG = Engine - 3.7L V6
ENJ = Engine - 2.5L 4 Cyl 16V Turbo Diesel
ENR = Engine - 2.8L 4 Cyl Turbo Diesel
ENO = 4Cyl Turbo Diesel
EKO = All 3.7L
EDO = All 2.4L

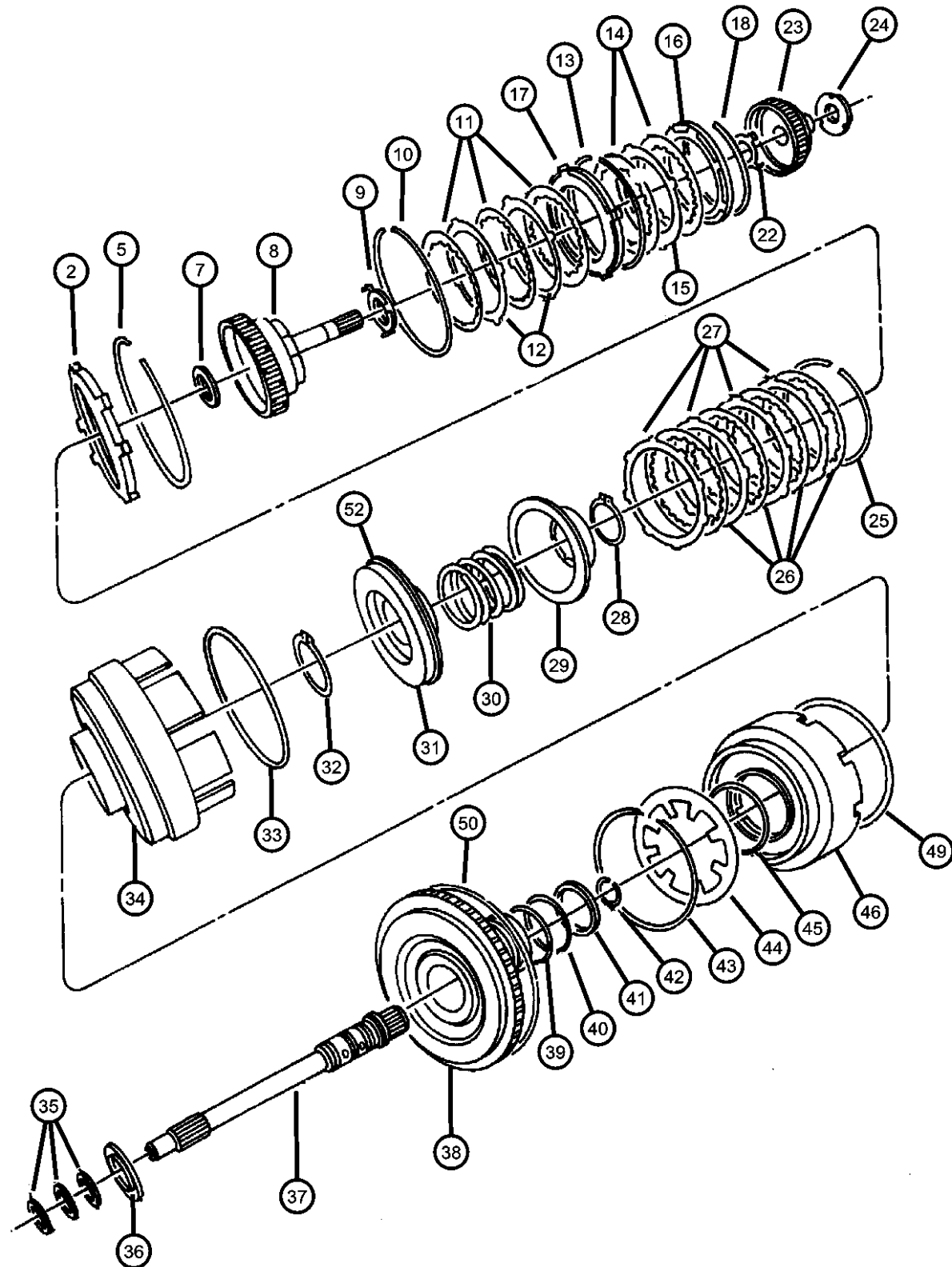
TRANSMISSION

DDD = Transmission - 5-Speed HD Manual
DDK = Transmission - 5-Speed HD Manual
DG4 = Transmission-Multi-Speed Auto, 45RFE
DG6 = Transmission-4-Spd. Automatic, 42RLE
DGQ = Transmission-5-Spd Automatic 5-45RFE
DBB = All Manual Transmissions
DG0 = All Automatic Transmissions

AR = use ase required - = Non illustrated part

2004 KJ

Clutch, Input Shaft
Figure 42RLE-410



ITEM	PART NUMBER	QTY	LINE	SERIES	BODY	ENGINE	TRANS	TRIM	DESCRIPTION
39	06502271	1	T				DG6		O RING, Transmission Clutch
		1	J, U				DG6		
40	06502269	1	T				DG6		O RING, Transmission Clutch
		1	J, U				DG6		
41	04659391AB	1	T				DG6		SEAL, Under Drive
		1	J, U				DG6		
42	06501702	1	T				DG6		SNAP RING
		1	J, U				DG6		
43	04412203	1	T				DG6		SNAP RING
		1	J, U				DG6		
44	04412202	1	T				DG6		SPRING, Overdrive Piston
		1	J, U				DG6		
45	06033158	1	T				DG6		O RING, Reverse & O/Drive Clutch Piston, Transmission
		1	J, U				DG6		
46	05017518AB	1	T				DG6		HUB PACKAGE, Input Clutch
		1	J, U				DG6		
-47		1							PISTON, Reverse and Overdrive, Serviced in Assembly, (NOT SERVICED)
-48	04531903	1	T				DG6		FILTER, Reverse And O/D Clutch
		1	J, U				DG6		

LIBERTY (KJ)

SERIES

P = Limited
H = Sport
M = Renegade

LINE

J = LHD (4WD)
U = RHD (4WD)
T = LHD (2WD)

BODY

74 = 4 Door (104.3 WB)

ENGINE

ED1 = Engine - 2.4L 4 Cyl DOHC 16v SMPI
EKG = Engine - 3.7L V6
ENJ = Engine -2.5L 4 Cyl 16V Turbo Diesel
ENR = Engine - 2.8L 4 Cyl Turbo Diesel
ENO = 4Cyl Turbo Diesel
EK0 = All 3.7L
ED0 = All 2.4L

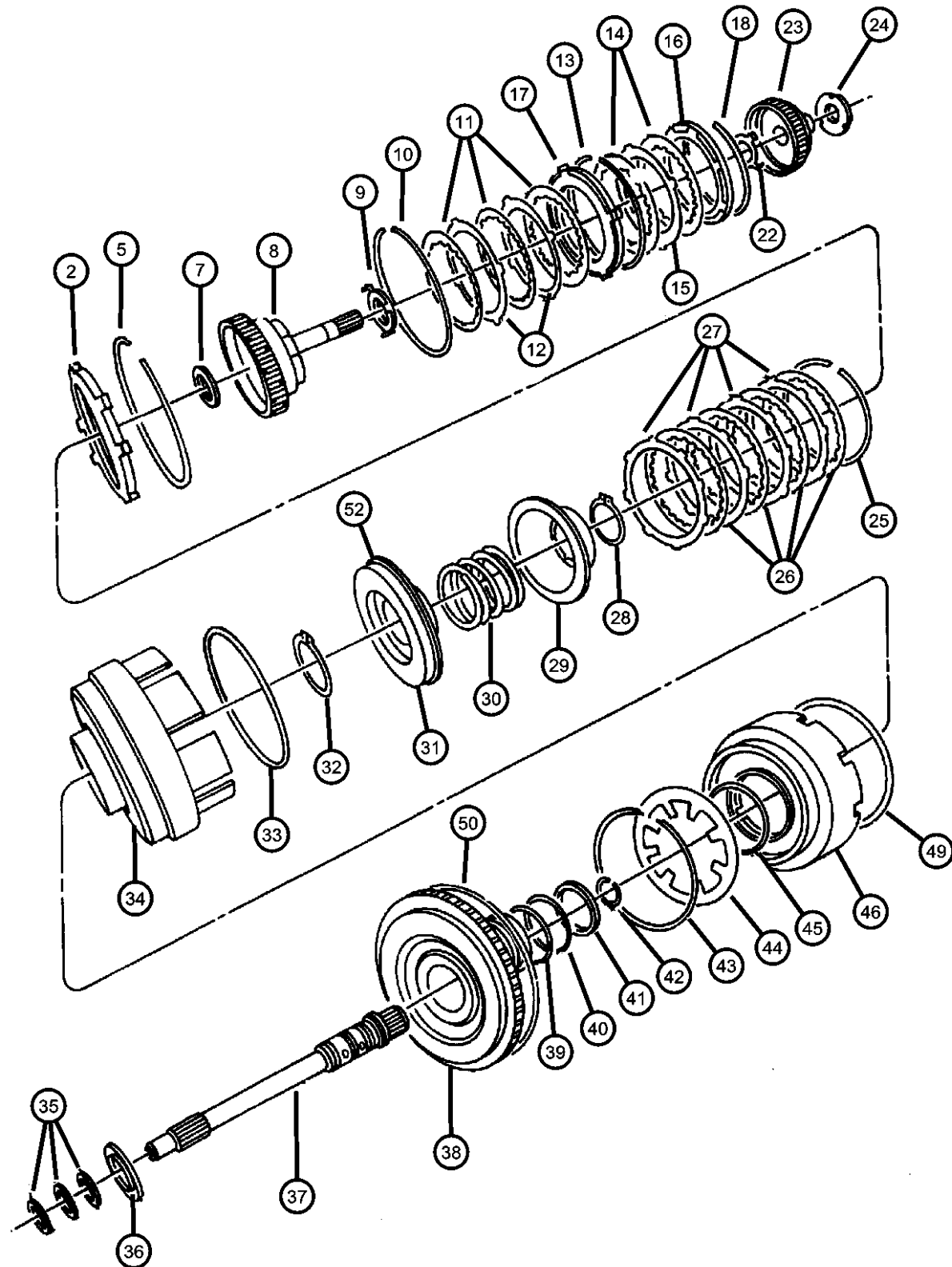
TRANSMISSION

DDD = Transmission - 5-Speed HD Manual
DDK = Transmission - 5-Speed HD Manual
DG4 = Transmission-Multi-Speed Auto, 45RFE
DG6 = Transmission-4-Spd. Automatic, 42RLE
DGQ = Transmission-5-Spd Automatic 5-45RFE
DBB = All Manual Transmissions
DG0 = All Automatic Transmissions

AR = use ase required - = Non illustrated part

2004 KJ

Clutch, Input Shaft
Figure 42RLE-410



ITEM	PART NUMBER	QTY	LINE	SERIES	BODY	ENGINE	TRANS	TRIM	DESCRIPTION
49	04659056	1	T				DG6		SEAL, Reverse Servo Piston
		1	J, U				DG6		
50	04659056	1	T				DG6		SEAL, Reverse Servo Piston
		1	J, U				DG6		
-51	04431647	1	T				DG6		PISTON, 2nd and 4th Clutch
		1	J, U				DG6		
52	04431610	1	T				DG6		PISTON, Underdrive
		1	J, U				DG6		Also Available In Overhaul Package
									Also Available In Overhaul Package

LIBERTY (KJ)

SERIES

P = Limited
H = Sport
M = Renegade

LINE

J = LHD (4WD)
U = RHD (4WD)
T = LHD (2WD)

BODY

74 = 4 Door (104.3 WB)

ENGINE

ED1 = Engine - 2.4L 4 Cyl
DOHC 16v SMPI
EKG = Engine - 3.7L V6
ENJ = Engine -2.5L 4 Cyl 16V
Turbo Diesel
ENR = Engine - 2.8L 4 Cyl
Turbo Diesel
ENO = 4Cyl Turbo Diesel
EK0 = All 3.7L
EDO = All 2.4L

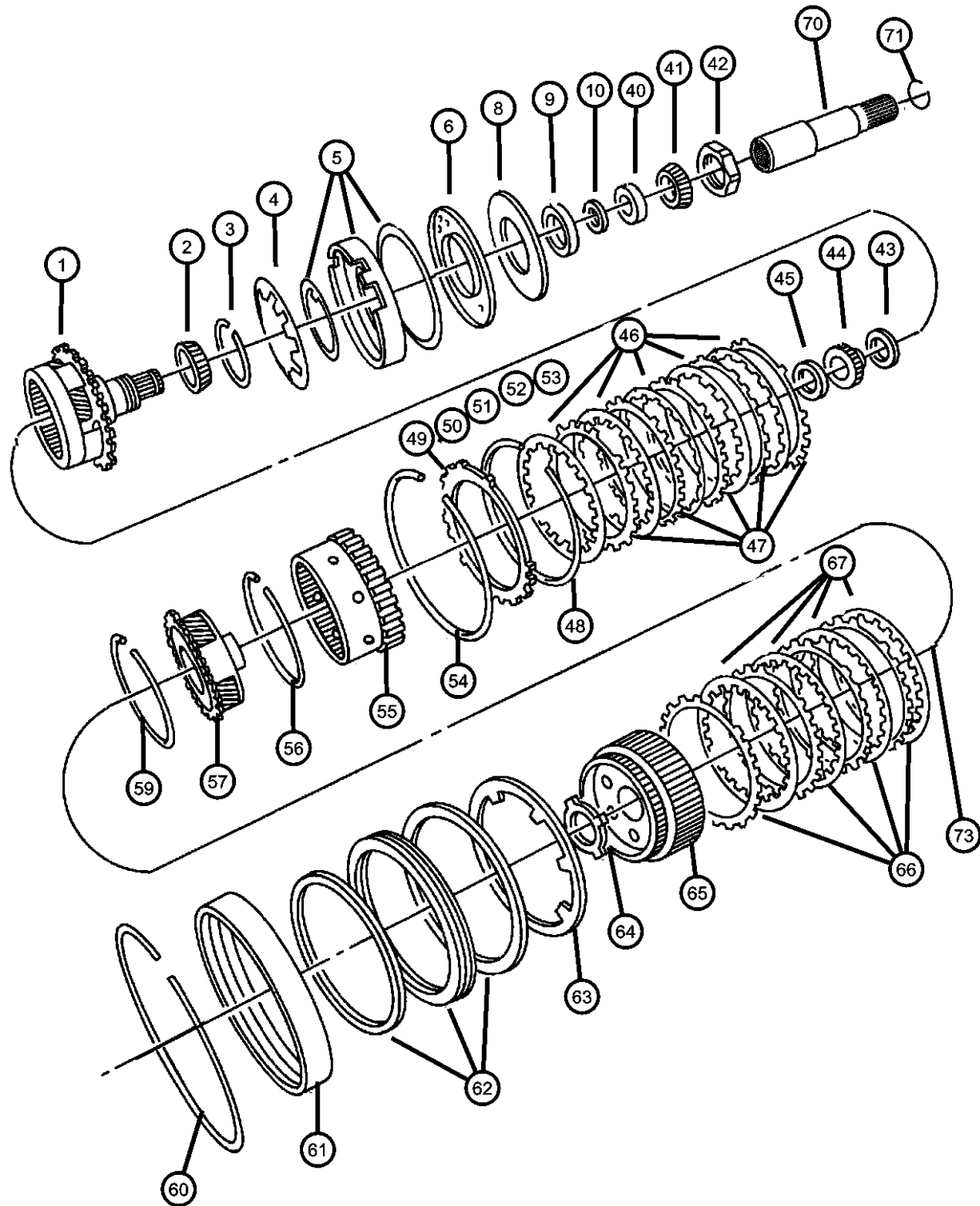
TRANSMISSION

DDD = Transmission - 5-Speed HD
Manual
DDK = Transmission - 5-Speed HD
Manual
DG4 = Transmission-Multi-Speed
Auto, 45RFE
DG6 = Transmission-4-Spd.
Automatic, 42RLE
DGQ = Transmission-5-Spd Automatic
5-45RFE
DBB = All Manual Transmissions
DG0 = All Automatic Transmissions

AR = use ase required - = Non illustrated part

2004 KJ

Gear Train
Figure 42RLE-420



ITEM	PART NUMBER	QTY	LINE	SERIES	BODY	ENGINE	TRANS	TRIM	DESCRIPTION
1	05101874AA	1	T				DG6		CARRIER AND BEARING, Planet Pinion
		1	J, U				DG6		
2	04412235	1	T				DG6		BEARING CONE, Output Shaft
		1	J, U				DG6		
3	06501853	1	T				DG6		SNAP RING
		1	J, U				DG6		
4	04800236AA	1	T				DG6		SPRING, Low/Reverse Clutch Piston
		1	J, U				DG6		
5	04800261AA	1	T				DG6		PISTON, Low and Reverse Clutch
		1	J, U				DG6		
6	04800255AA	1	T				DG6		RETAINER, Transmission Low and Reverse Clutch Piston
		1	J, U				DG6		
-7	06501819	3	T				DG6		SCREW AND WASHER, Pan Head, M5x0.8x11.00
		3	J, U				DG6		
8	04800253AA	1	T				DG6		GASKET, Clutch Retainer
		1	J, U				DG6		
9	04412234	1	T				DG6		BEARING CUP, Output Shaft

NOTE:
Sales Codes:
[DG6]=4 Speed Automatic Transmission - 42RLE

LIBERTY (KJ)

SERIES LINE
P = Limited J = LHD (4WD)
H = Sport U = RHD (4WD)
M = Renegade T = LHD (2WD)

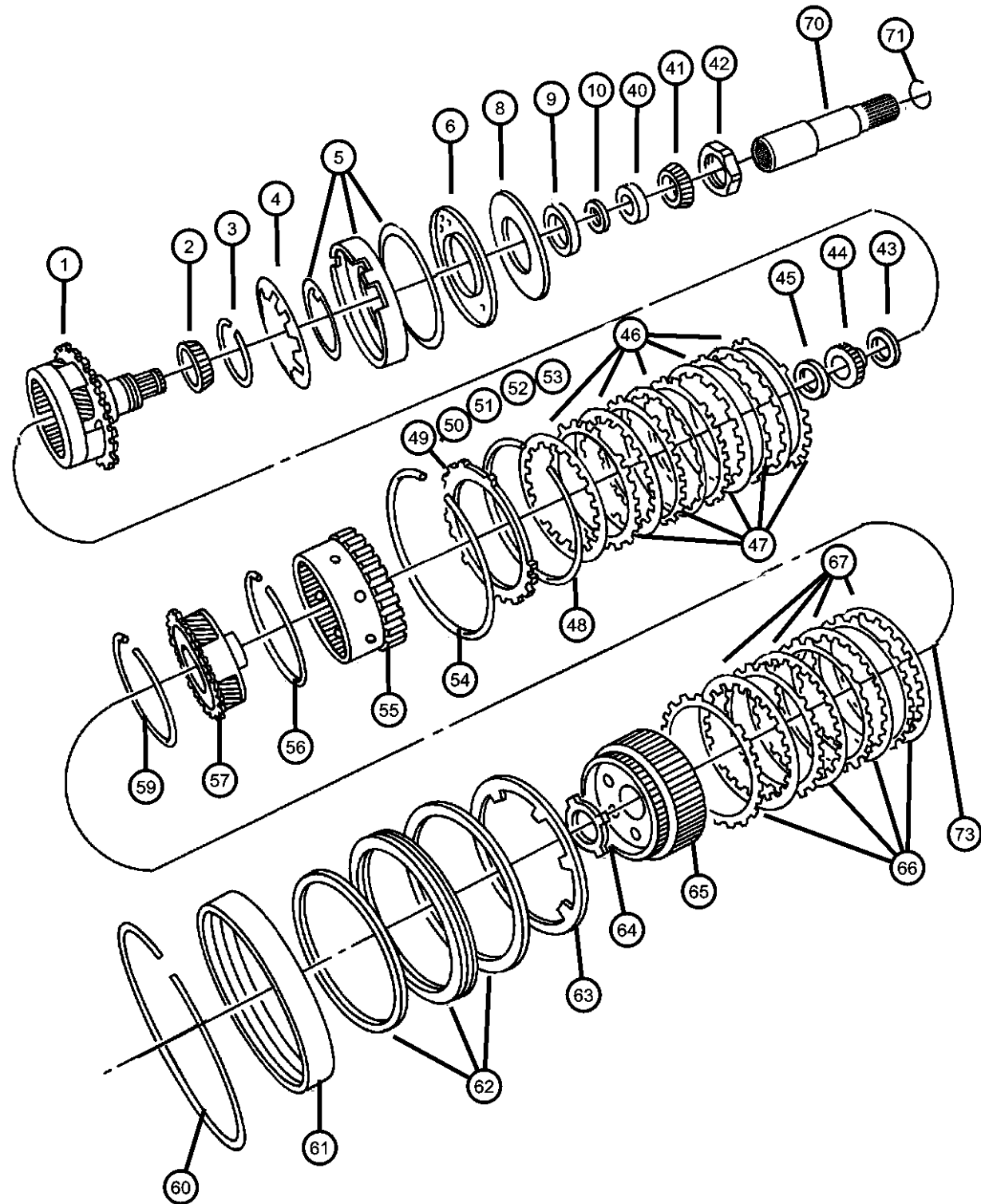
BODY
74 = 4 Door (104.3 WB)

ENGINE
ED1 = Engine - 2.4L 4 Cyl
DOHC 16v SMPI
EKG = Engine - 3.7L V6
ENJ = Engine -2.5L 4 Cyl 16V
Turbo Diesel
ENR = Engine - 2.8L 4 Cyl
Turbo Diesel
ENO = 4Cyl Turbo Diesel
EKO = All 3.7L
EDO = All 2.4L

TRANSMISSION
DDD = Transmission - 5-Speed HD
Manual
DDK = Transmission - 5-Speed HD
Manual
DG4 = Transmission-Multi-Speed
Auto, 45RFE
DG6 = Transmission-4-Spd.
Automatic, 42RLE
DGQ = Transmission-5-Spd Automatic
5-45RFE
DBB = All Manual Transmissions
DG0 = All Automatic Transmissions

AR = use ase required - = Non illustrated part

Gear Train
Figure 42RLE-420



ITEM	PART NUMBER	QTY	LINE	SERIES	BODY	ENGINE	TRANS	TRIM	DESCRIPTION
10		1	J, U				DG6		SHIM, Carrier Bearing, 5.17 - 5.19mm
	05280020	AR	T				DG6		
		AR	J, U				DG6		
-11									SHIM, Carrier Bearing, 5.20 - 5.22mm
	05280021	AR	T				DG6		
		AR	J, U				DG6		
-12									SHIM, Carrier Bearing, 5.23 - 5.25mm
	05280022	AR	T				DG6		
		AR	J, U				DG6		
-13									SHIM, Carrier Bearing, 5.26 - 5.28mm
	05280023	AR	T				DG6		
		AR	J, U				DG6		
-14									SHIM, Carrier Bearing, 5.29 - 5.31mm
	05280024	AR	T				DG6		
		AR	J, U				DG6		
-15									SHIM, Carrier Bearing, 5.32 - 5.34mm
	05280025	AR	T				DG6		
		AR	J, U				DG6		
-16									SHIM, Carrier Bearing, 5.35 - 5.37mm
	05280026	AR	T				DG6		
		AR	J, U				DG6		
-17									SHIM, Carrier Bearing, 5.38 - 5.40mm
	05280027	AR	T				DG6		
		AR	J, U				DG6		
-18									SHIM, Carrier Bearing, 5.41 - 5.43mm

LIBERTY (KJ)
SERIES
P = Limited
H = Sport
M = Renegade

LINE
J = LHD (4WD)
U = RHD (4WD)
T = LHD (2WD)

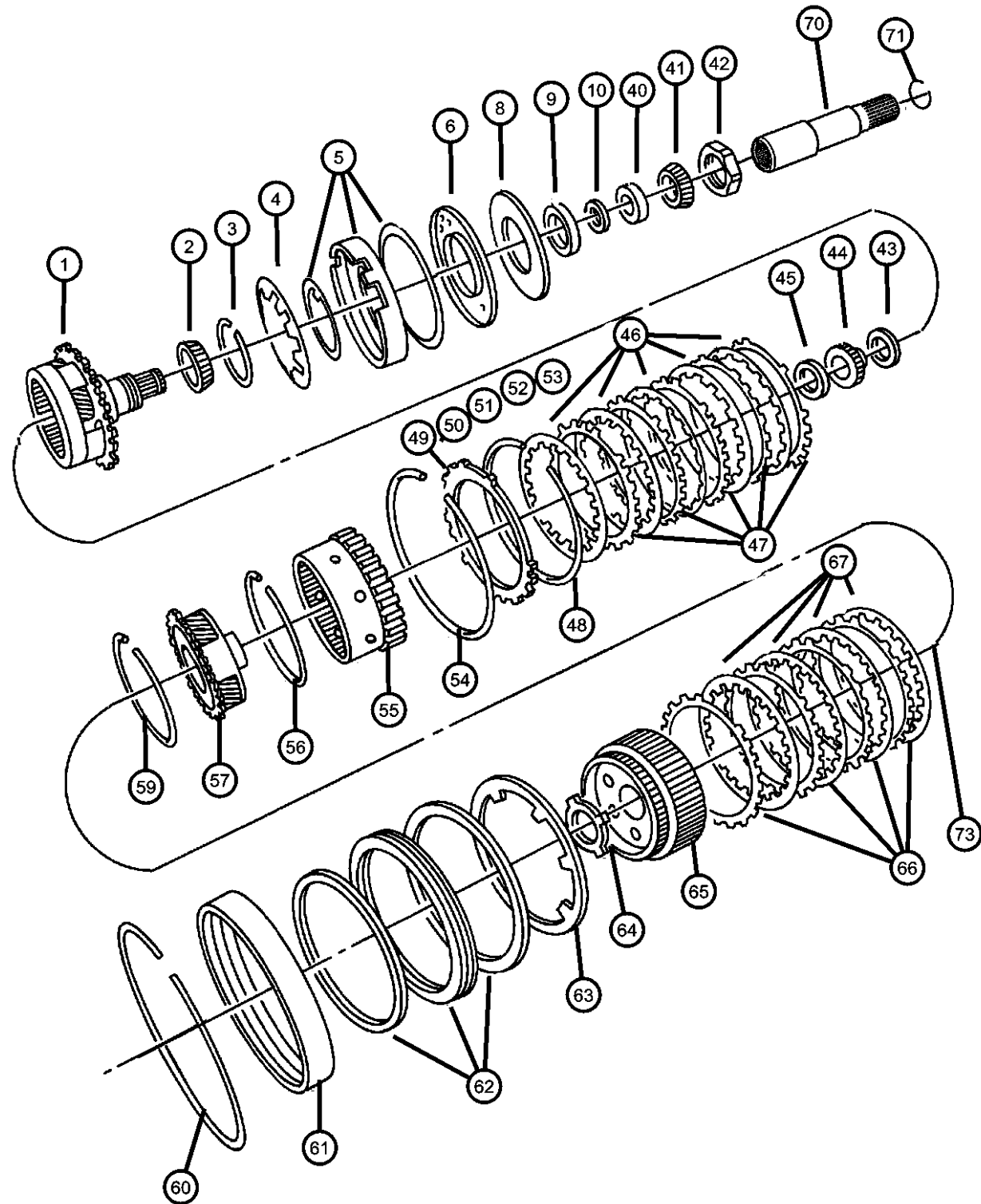
BODY
74 = 4 Door (104.3 WB)

ENGINE
ED1 = Engine - 2.4L 4 Cyl DOHC 16v SMPI
EKG = Engine - 3.7L V6
ENJ = Engine -2.5L 4 Cyl 16V Turbo Diesel
ENR = Engine - 2.8L 4 Cyl Turbo Diesel
ENO = 4Cyl Turbo Diesel
EKO = All 3.7L
EDO = All 2.4L

TRANSMISSION
DDD = Transmission - 5-Speed HD Manual
DDK = Transmission - 5-Speed HD Manual
DG4 = Transmission-Multi-Speed Auto, 45RFE
DG6 = Transmission-4-Spd. Automatic, 42RLE
DGQ = Transmission-5-Spd Automatic 5-45RFE
DBB = All Manual Transmissions
DG0 = All Automatic Transmissions

AR = use ase required - = Non illustrated part

Gear Train
Figure 42RLE-420



ITEM	PART NUMBER	QTY	LINE	SERIES	BODY	ENGINE	TRANS	TRIM	DESCRIPTION
	05280028	AR	T				DG6		
		AR	J, U				DG6		
-19									SHIM, Carrier Bearing, 5.44 - 5.46mm
	05280029	AR	T				DG6		
		AR	J, U				DG6		
-20									SHIM, Carrier Bearing, 5.47 - 5.49mm
	05280030	AR	T				DG6		
		AR	J, U				DG6		
-21									SHIM, Carrier Bearing, 5.50 - 5.52mm
	05280031	AR	T				DG6		
		AR	J, U				DG6		
-22									SHIM, Carrier Bearing, 5.53 - 5.55mm
	05280032	AR	T				DG6		
		AR	J, U				DG6		
-23									SHIM, Carrier Bearing, 5.56 - 5.58mm
	05280033	AR	T				DG6		
		AR	J, U				DG6		
-24									SHIM, Carrier Bearing, 5.59 - 5.61mm
	05280034	AR	T				DG6		
		AR	J, U				DG6		
-25									SHIM, Carrier Bearing, 5.62 - 5.64mm
	05280035	AR	T				DG6		
		AR	J, U				DG6		
-26									SHIM, Carrier Bearing, 5.65 - 5.67mm
	05280036	AR	T				DG6		
		AR	J, U				DG6		

LIBERTY (KJ)
SERIES
P = Limited
H = Sport
M = Renegade

LINE
J = LHD (4WD)
U = RHD (4WD)
T = LHD (2WD)

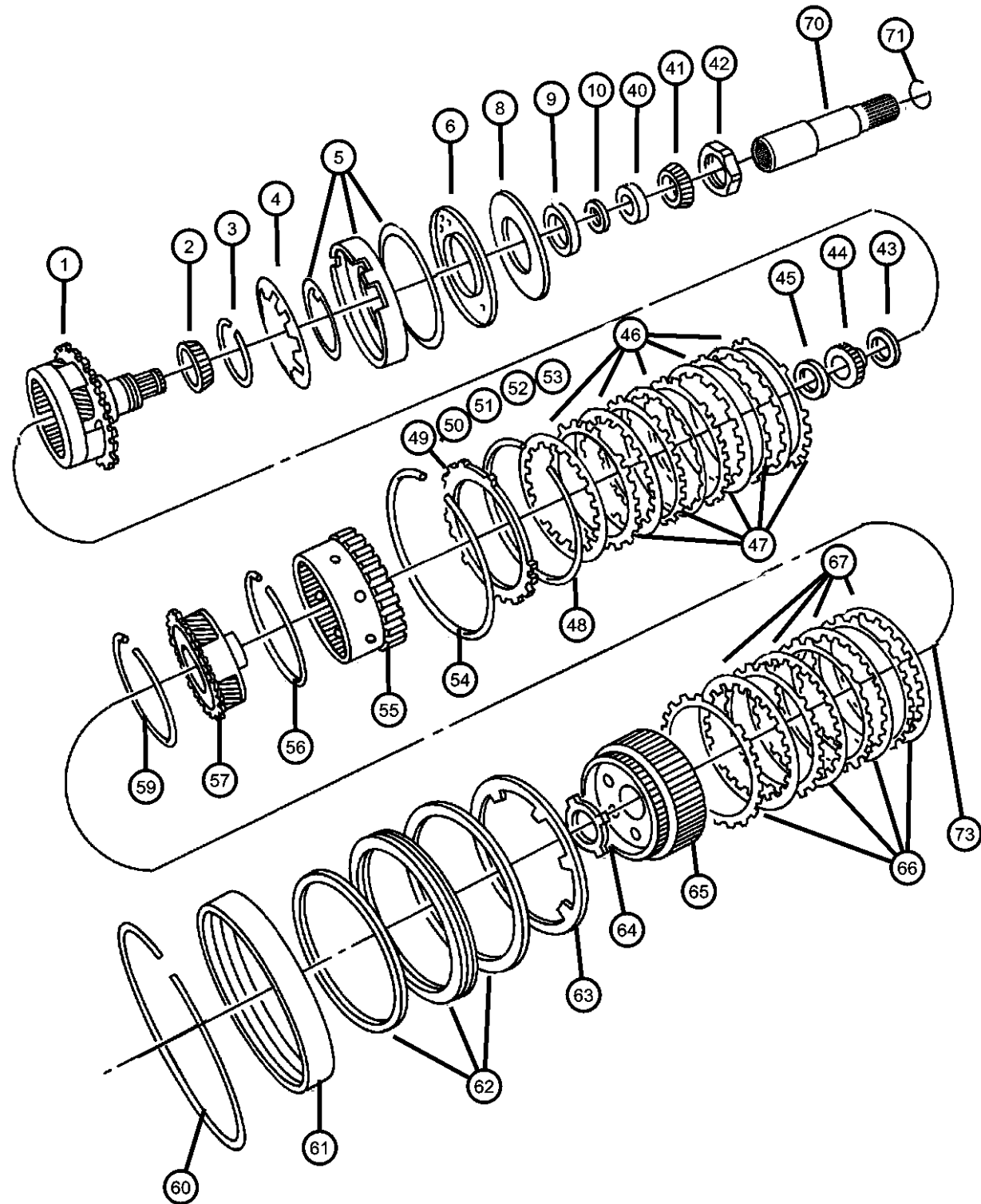
BODY
74 = 4 Door (104.3 WB)

ENGINE
ED1 = Engine - 2.4L 4 Cyl DOHC 16v SMPI
EKG = Engine - 3.7L V6
ENJ = Engine -2.5L 4 Cyl 16v Turbo Diesel
ENR = Engine - 2.8L 4 Cyl Turbo Diesel
ENO = 4Cyl Turbo Diesel
EKO = All 3.7L
EDO = All 2.4L

TRANSMISSION
DDD = Transmission - 5-Speed HD Manual
DDK = Transmission - 5-Speed HD Manual
DG4 = Transmission-Multi-Speed Auto, 45RFE
DG6 = Transmission-4-Spd. Automatic, 42RLE
DGQ = Transmission-5-Spd Automatic 5-45RFE
DBB = All Manual Transmissions
DG0 = All Automatic Transmissions

AR = use ase required - = Non illustrated part

Gear Train
Figure 42RLE-420



ITEM	PART NUMBER	QTY	LINE	SERIES	BODY	ENGINE	TRANS	TRIM	DESCRIPTION
-27	05280037	AR	T				DG6		SHIM, Carrier Bearing, 5.68 - 5.70mm
		AR	J, U				DG6		
-28	05280038	AR	T				DG6		SHIM, Carrier Bearing, 5.71 - 5.73mm
		AR	J, U				DG6		
-29	05280039	AR	T				DG6		SHIM, Carrier Bearing, 5.74 - 5.76mm
		AR	J, U				DG6		
-30	05280040	AR	T				DG6		SHIM, Carrier Bearing, 5.77 - 5.79mm
		AR	J, U				DG6		
-31	05280041	AR	T				DG6		SHIM, Carrier Bearing, 5.80 - 5.82mm
		AR	J, U				DG6		
-32	05280042	AR	T				DG6		SHIM, Carrier Bearing, 5.83 - 5.85mm
		AR	J, U				DG6		
-33	05280043	AR	T				DG6		SHIM, Carrier Bearing, 5.86 - 5.88mm
		AR	J, U				DG6		
-34	05280044	AR	T				DG6		SHIM, Carrier Bearing, 5.89 - 5.91mm
		AR	J, U				DG6		
-35	05280045	AR	T				DG6		SHIM, Carrier Bearing, 5.92 - 5.94mm

LIBERTY (KJ)

SERIES

P = Limited
H = Sport
M = Renegade

LINE

J = LHD (4WD)
U = RHD (4WD)
T = LHD (2WD)

BODY

74 = 4 Door (104.3 WB)

ENGINE

ED1 = Engine - 2.4L 4 Cyl
DOHC 16v SMPI
EKG = Engine - 3.7L V6
ENJ = Engine -2.5L 4 Cyl 16V
Turbo Diesel
ENR = Engine - 2.8L 4 Cyl
Turbo Diesel
ENO = 4Cyl Turbo Diesel
EKO = All 3.7L
EDO = All 2.4L

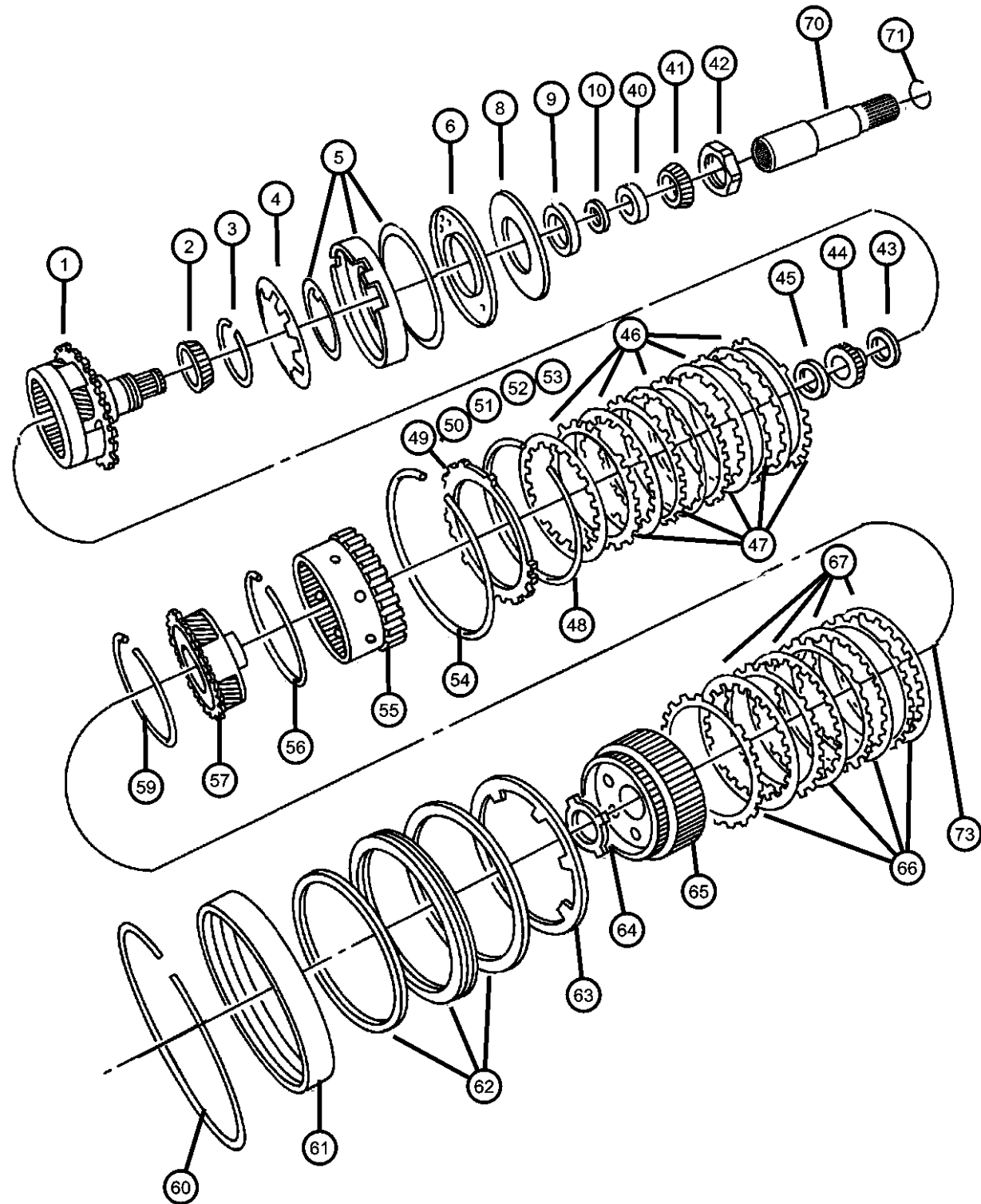
TRANSMISSION

DDD = Transmission - 5-Speed HD
Manual
DDK = Transmission - 5-Speed HD
Manual
DG4 = Transmission-Multi-Speed
Auto, 45RFE
DG6 = Transmission-4-Spd.
Automatic, 42RLE
DGQ = Transmission-5-Spd Automatic
5-45RFE
DBB = All Manual Transmissions
DG0 = All Automatic Transmissions

AR = use ase required - = Non illustrated part

2004 KJ

Gear Train
Figure 42RLE-420



ITEM	PART NUMBER	QTY	LINE	SERIES	BODY	ENGINE	TRANS	TRIM	DESCRIPTION
-36		AR	J, U				DG6		SHIM, Carrier Bearing, 5.95 - 5.97mm
	05280046	AR	T				DG6		
		AR	J, U				DG6		
-37									SHIM, Carrier Bearing, 5.98 - 6.00mm
	05280047	AR	T				DG6		
		AR	J, U				DG6		
-38									SHIM, Carrier Bearing, 6.01 - 6.03mm
	05280048	AR	T				DG6		
		AR	J, U				DG6		
-39									SHIM, Carrier Bearing, 6.04 - 6.06mm
	05280049	AR	T				DG6		
		AR	J, U				DG6		
40									BEARING CUP, Differential
	04567022	1	T				DG6		
		1	J, U				DG6		
41									BEARING
	04567025AB	1	T				DG6		
		1	J, U				DG6		
42									NUT, Rear Carrier, M36 x 1.50
	06502476	1	T				DG6		
		1	J, U				DG6		
43									THRUST BEARING
	04412209	1	T				DG6		
		1	J, U				DG6		
44									GEAR, Sun
	04377080	1	T				DG6		
		1	J, U				DG6		

LIBERTY (KJ)
SERIES
P = Limited
H = Sport
M = Renegade

LINE
J = LHD (4WD)
U = RHD (4WD)
T = LHD (2WD)

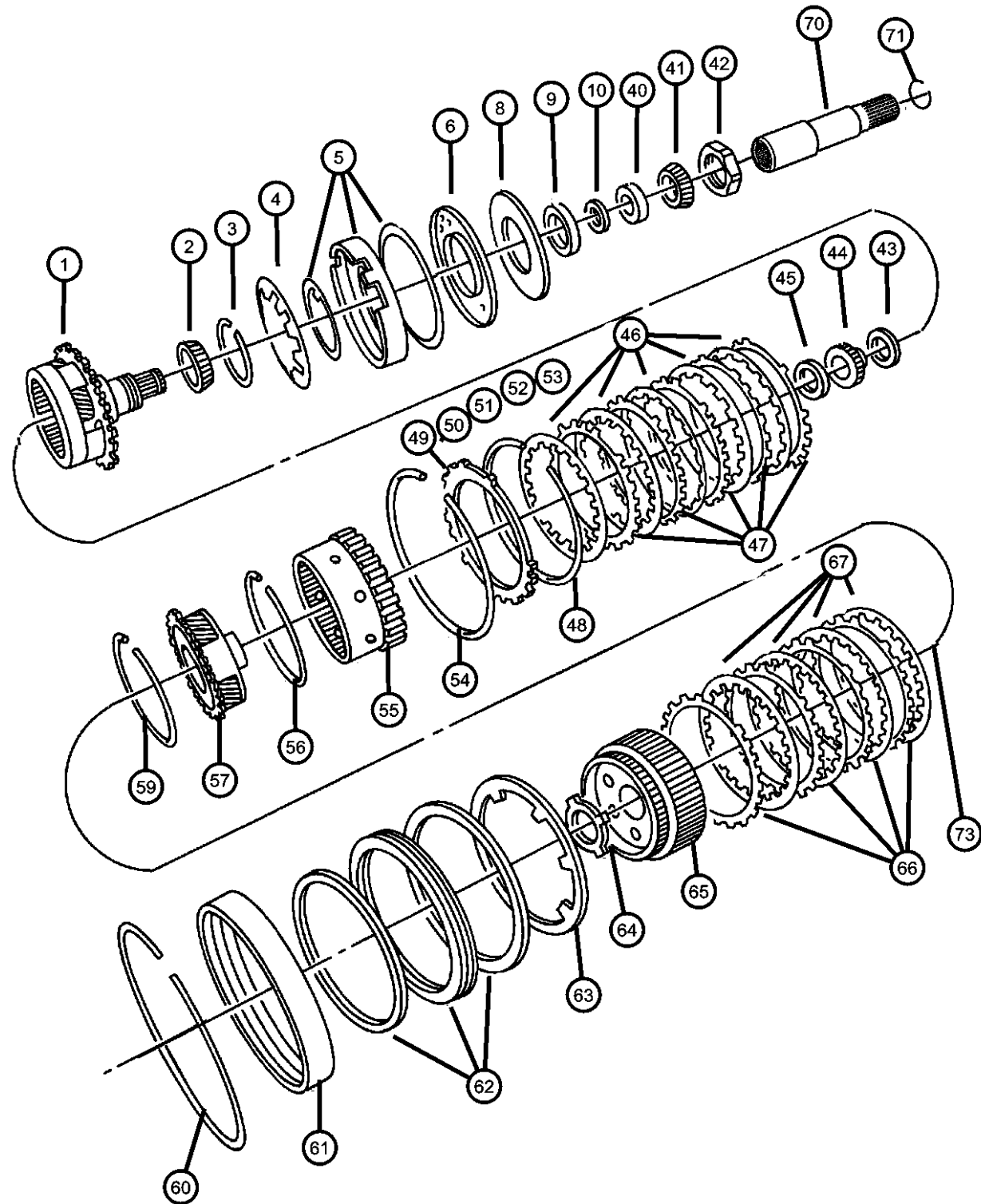
BODY
74 = 4 Door (104.3 WB)

ENGINE
ED1 = Engine - 2.4L 4 Cyl DOHC 16v SMPI
EKG = Engine - 3.7L V6
ENJ = Engine -2.5L 4 Cyl 16V Turbo Diesel
ENR = Engine - 2.8L 4 Cyl Turbo Diesel
ENO = 4Cyl Turbo Diesel
EKO = All 3.7L
EDO = All 2.4L

TRANSMISSION
DDD = Transmission - 5-Speed HD Manual
DDK = Transmission - 5-Speed HD Manual
DG4 = Transmission-Multi-Speed Auto, 45RFE
DG6 = Transmission-4-Spd. Automatic, 42RLE
DGQ = Transmission-5-Spd Automatic 5-45RFE
DBB = All Manual Transmissions
DG0 = All Automatic Transmissions

AR = use ase required - = Non illustrated part

Gear Train
Figure 42RLE-420



ITEM	PART NUMBER	QTY	LINE	SERIES	BODY	ENGINE	TRANS	TRIM	DESCRIPTION
45		1	T				DG6		THRUST BEARING, Rear Sun Gear, Front
	04412229AB	1	J, U				DG6		
46		4	T				DG6		DISC, Clutch
	04531678	5	J, U				DG6		
	04567573AB								
47		5	T				DG6		PLATE, Transmission Clutch Reaction
	04659055	5	J, U				DG6		
48		1	T				DG6		SNAP RING
	04412395	1	J, U				DG6		
49		1	T				DG6		PLATE PACKAGE, Low/Reverse Clutch, 5.753/6.012
	04897452AA	1	J, U				DG6		
50		1	T				DG6		PLATE PACKAGE, Low/Reverse Clutch, 6.013/6.272
	04897453AA	1	J, U				DG6		
51		1	T				DG6		PLATE PACKAGE, Low/Reverse Clutch, 6.273/6.532
	04897454AA	1	J, U				DG6		
52		1	T				DG6		PLATE PACKAGE, Low/Reverse Clutch, 6.533/6.792
	04897455AA	1	J, U				DG6		
53		1	T				DG6		PLATE PACKAGE, Low/Reverse Clutch, 6.793/7.052
	04897456AA	1	J, U				DG6		

LIBERTY (KJ)

SERIES LINE
P = Limited J = LHD (4WD)
H = Sport U = RHD (4WD)
M = Renegade T = LHD (2WD)

BODY
74 = 4 Door (104.3 WB)

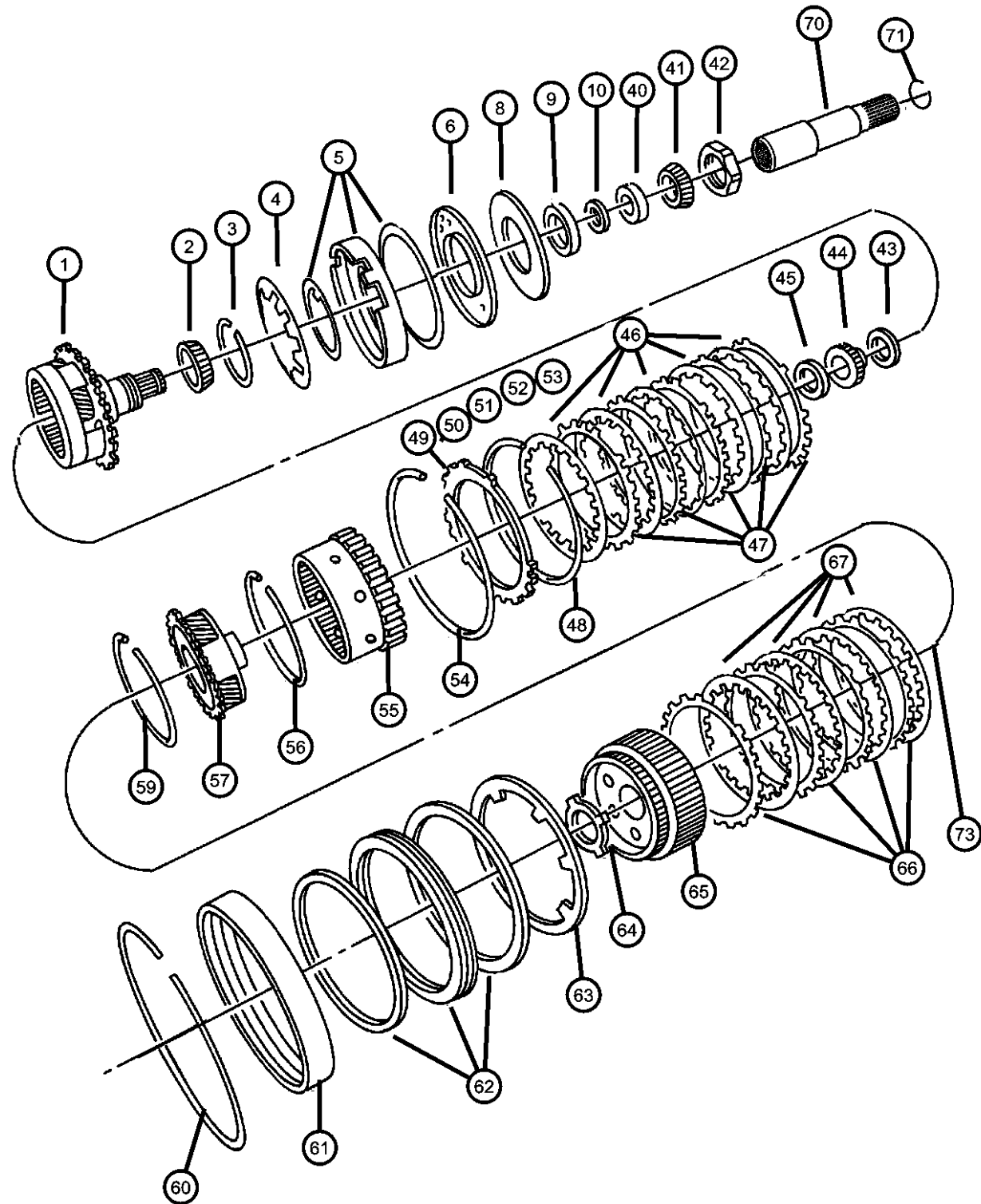
ENGINE
ED1 = Engine - 2.4L 4 Cyl DOHC 16v SMPI
EKG = Engine - 3.7L V6
ENJ = Engine -2.5L 4 Cyl 16v Turbo Diesel
ENR = Engine - 2.8L 4 Cyl Turbo Diesel
ENO = 4Cyl Turbo Diesel
EKO = All 3.7L
EDO = All 2.4L

TRANSMISSION
DDD = Transmission - 5-Speed HD Manual
DDK = Transmission - 5-Speed HD Manual
DG4 = Transmission-Multi-Speed Auto, 45RFE
DG6 = Transmission-4-Spd. Automatic, 42RLE
DGQ = Transmission-5-Spd Automatic 5-45RFE
DBB = All Manual Transmissions
DG0 = All Automatic Transmissions

AR = use ase required - = Non illustrated part

2004 KJ

Gear Train
Figure 42RLE-420



ITEM	PART NUMBER	QTY	LINE	SERIES	BODY	ENGINE	TRANS	TRIM	DESCRIPTION
54	04799858AA	1	T				DG6		SNAP RING
		1	J, U				DG6		
55	04799794	1	T				DG6		GEAR, Annulus
		1	J, U				DG6		
56	06035238	2	T				DG6		SNAP RING
		2	J, U				DG6		
57	04567539AB	1	T				DG6		CARRIER, Planetary Pinion
		1	J, U				DG6		
58	04412209	1	T				DG6		THRUST BEARING
		1	J, U				DG6		
59	06035238	2	T				DG6		SNAP RING
		2	J, U				DG6		
60	04505591	1	T				DG6		SNAP RING
		1	J, U				DG6		
61	05102880AA	1	T				DG6		RETAINER PACKAGE, 2nd & 4th Clutch Piston
		1	J, U				DG6		
62	05102880AA	1	T				DG6		RETAINER PACKAGE, 2nd & 4th Clutch Piston
		1	J, U				DG6		
63									SPRING, 2nd And 4th Clutch Piston

LIBERTY (KJ)

SERIES LINE
P = Limited J = LHD (4WD)
H = Sport U = RHD (4WD)
M = Renegade T = LHD (2WD)

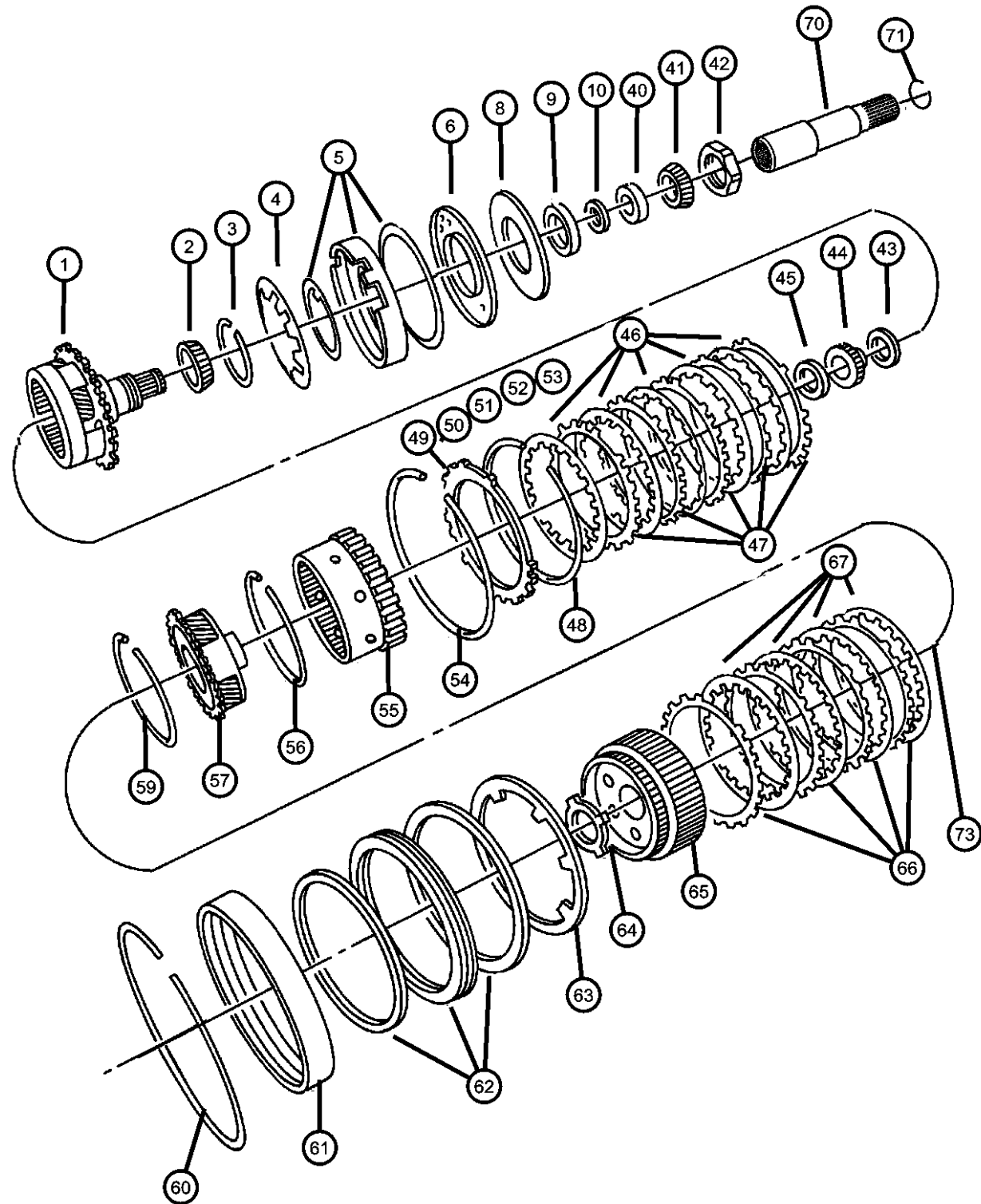
BODY
74 = 4 Door (104.3 WB)

ENGINE
ED1 = Engine - 2.4L 4 Cyl
DOHC 16v SMPI
EKG = Engine - 3.7L V6
ENJ = Engine -2.5L 4 Cyl 16V
Turbo Diesel
ENR = Engine - 2.8L 4 Cyl
Turbo Diesel
ENO = 4Cyl Turbo Diesel
EK0 = All 3.7L
ED0 = All 2.4L

TRANSMISSION
DDD = Transmission - 5-Speed HD
Manual
DDK = Transmission - 5-Speed HD
Manual
DG4 = Transmission-Multi-Speed
Auto, 45RFE
DG6 = Transmission-4-Spd.
Automatic, 42RLE
DGQ = Transmission-5-Spd Automatic
5-45RFE
DBB = All Manual Transmissions
DG0 = All Automatic Transmissions

AR = use ase required - = Non illustrated part

Gear Train
Figure 42RLE-420



ITEM	PART NUMBER	QTY	LINE	SERIES	BODY	ENGINE	TRANS	TRIM	DESCRIPTION
	04412248	1	T				DG6		
		1	J, U				DG6		
64									THRUST WASHER, Second and Fourth Clutch
	04412216AB	1	T				DG6		
		1	J, U				DG6		
65									HUB AND GEAR, Second And Fourth Clutch
	04659618AB	1	T				DG6		
		1	J, U				DG6		
66									PLATE, Transmission Clutch Reaction
	04659054	4	T				DG6		
		4	J, U				DG6		
67									DISC, Clutch
	04799860AB	4	T				DG6		
		4	J, U				DG6		
-68									THRUST WASHER, Planet Pinion
	03681949	10	T				DG6		
		10	J, U				DG6		
-69									ROLLER, Front and Rear Pinion
	03743664	95	T				DG6		
		95	J, U				DG6		
70	52852915AA	1	J, U				DG6		SHAFT, Intermediate
71	06501702	1	J, U				DG6		SNAP RING
-72	52854168AA	1	T				DG6		SHAFT, Output
73	02466224	1	T				DG6		BEARING, Output Shaft

LIBERTY (KJ)

SERIES

P = Limited
H = Sport
M = Renegade

LINE

J = LHD (4WD)
U = RHD (4WD)
T = LHD (2WD)

BODY

74 = 4 Door (104.3 WB)

ENGINE

ED1 = Engine - 2.4L 4 Cyl DOHC 16v SMPI
EKG = Engine - 3.7L V6
ENJ = Engine -2.5L 4 Cyl 16V Turbo Diesel
ENR = Engine - 2.8L 4 Cyl Turbo Diesel
ENO = 4Cyl Turbo Diesel
EKO = All 3.7L
EDO = All 2.4L

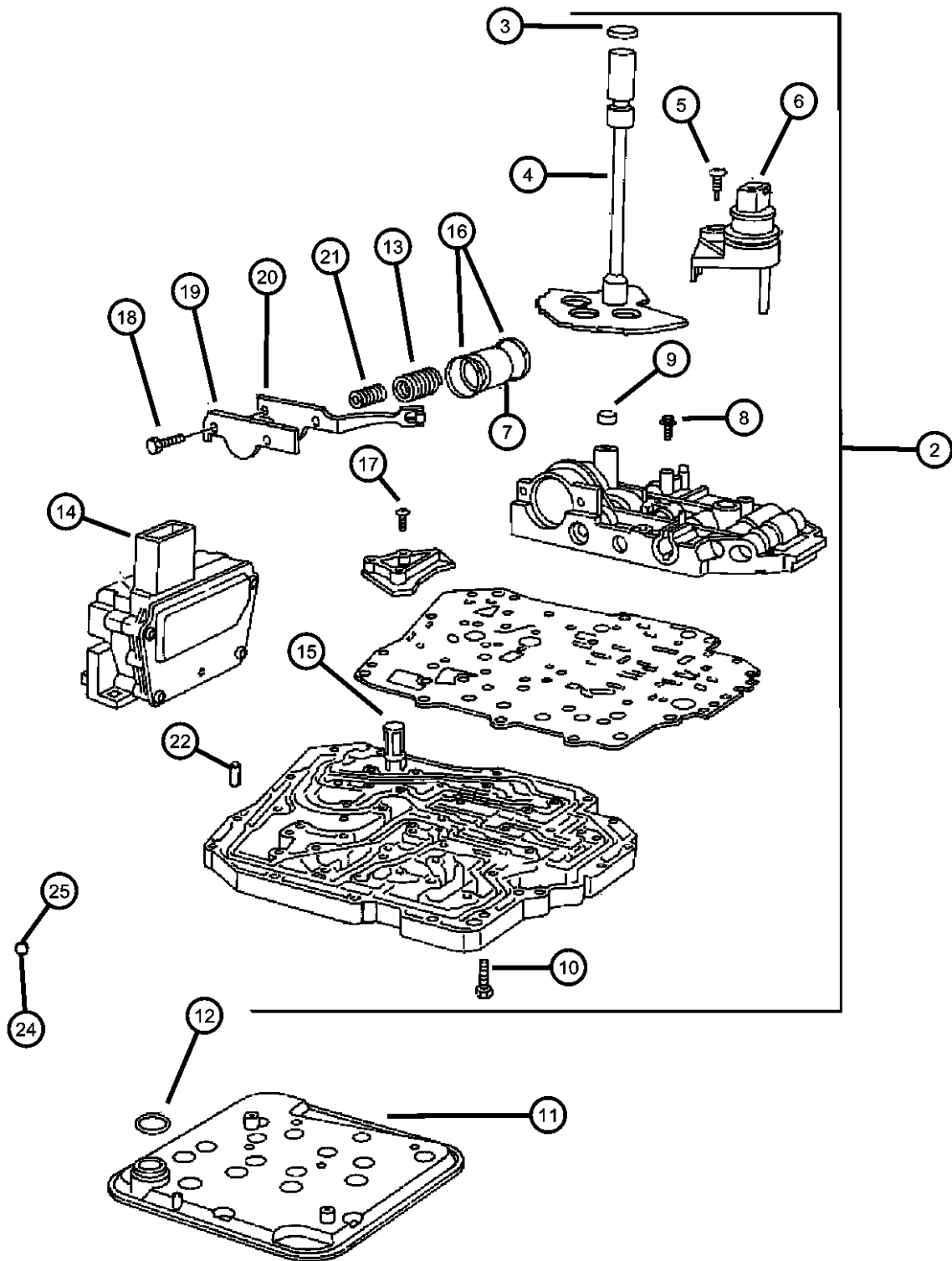
TRANSMISSION

DDD = Transmission - 5-Speed HD Manual
DDK = Transmission - 5-Speed HD Manual
DG4 = Transmission-Multi-Speed Auto, 45RFE
DG6 = Transmission-4-Spd. Automatic, 42RLE
DGQ = Transmission-5-Spd Automatic 5-45RFE
DBB = All Manual Transmissions
DG0 = All Automatic Transmissions

AR = use ase required - = Non illustrated part

2004 KJ

**Valve Body
Figure 42RLE-710**



NOTE:

Gasket and Seal Package includes all Valve Body Seals and Transmission Filter

Sales Codes:

[DG6]=4 Speed Automatic Transmission - [42RLE]

ITEM	PART NUMBER	QTY	LINE	SERIES	BODY	ENGINE	TRANS	TRIM	DESCRIPTION
-1									GASKET AND SEAL PACKAGE, Valve Body
	05101917AB	1	T				DG6		
		1	J, U				DG6		
2	52854169AA	1	J, U				DG6		VALVE BODY
		1	T				DG6		
3	04412836	1	T				DG6		SEAL, Manual Valve Lever
		1	J, U				DG6		
4	04539665	1	J, U				DG6		LEVER, Manual Valve
		1	T				DG6		
5	06506245AA	1	J, U				DG6		SCREW
		1	T				DG6		
6	04659677AC	1	T				DG6		SENSOR, Manual Valve Lever
		1	J, U				DG6		
7	04446620AC	1	J, U				DG6		PISTON, Accumulator
		1	T				DG6		
8	06500215	2	T				DG6		SCREW AND WASHER, Pan Head, M5x.8x25
		2	J, U				DG6		
9	04412291	1	T				DG6		SEAL, Clutch Feed

LIBERTY (KJ)

SERIES

P = Limited
H = Sport
M = Renegade

LINE

J = LHD (4WD)
U = RHD (4WD)
T = LHD (2WD)

BODY

74 = 4 Door (104.3 WB)

ENGINE

ED1 = Engine - 2.4L 4 Cyl
DOHC 16v SMPI
EKG = Engine - 3.7L V6
ENJ = Engine -2.5L 4 Cyl 16V
Turbo Diesel
ENR = Engine - 2.8L 4 Cyl
Turbo Diesel
ENO = 4Cyl Turbo Diesel
EKO = All 3.7L
EDO = All 2.4L

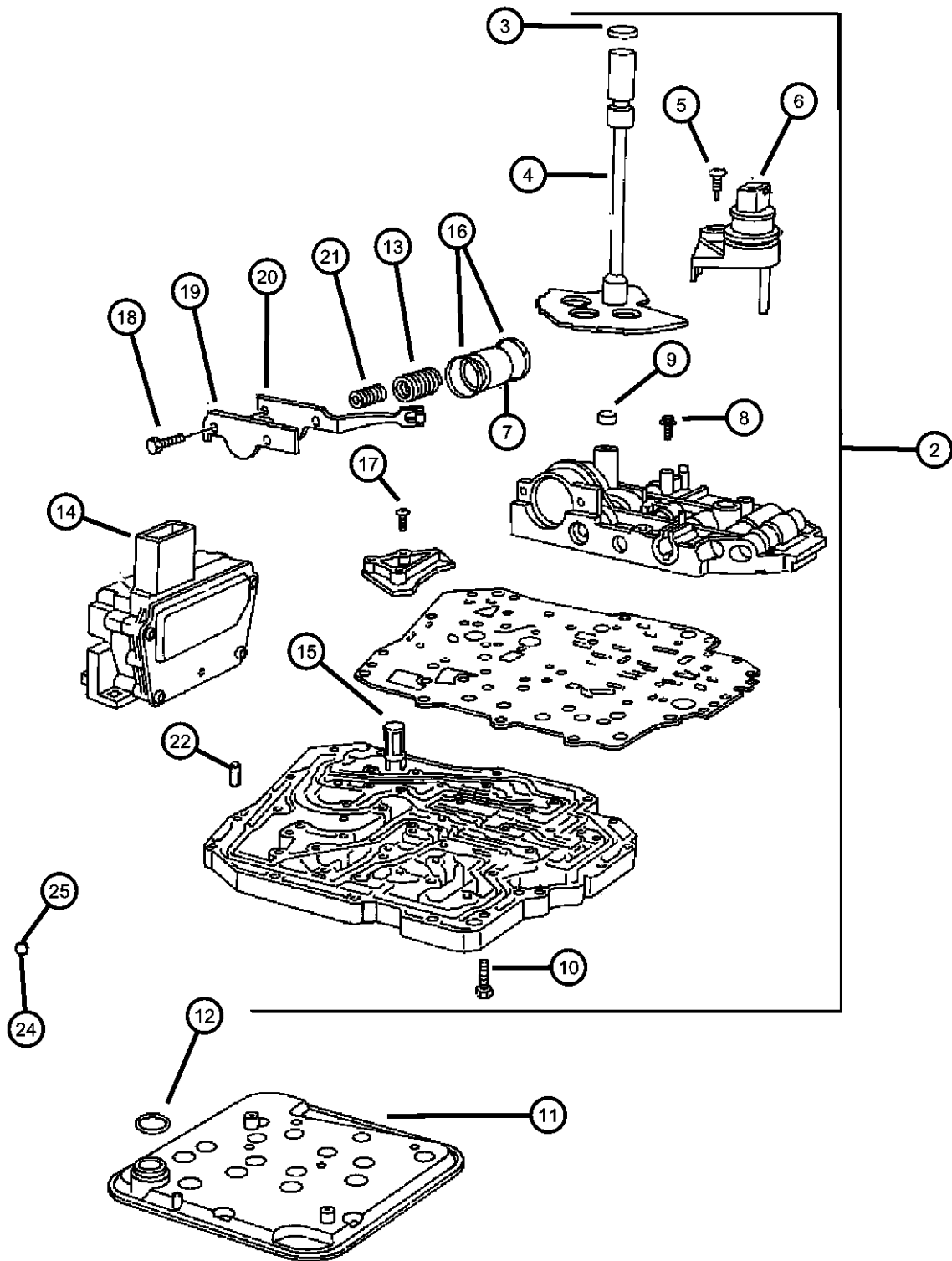
TRANSMISSION

DDD = Transmission - 5-Speed HD
Manual
DDK = Transmission - 5-Speed HD
Manual
DG4 = Transmission-Multi-Speed
Auto, 45RFE
DG6 = Transmission-4-Spd.
Automatic, 42RLE
DGQ = Transmission-5-Spd Automatic
5-45RFE
DBB = All Manual Transmissions
DG0 = All Automatic Transmissions

AR = use ase required - = Non illustrated part

2004 KJ

Valve Body
Figure 42RLE-710



ITEM	PART NUMBER	QTY	LINE	SERIES	BODY	ENGINE	TRANS	TRIM	DESCRIPTION
10		1	J, U				DG6		SCREW AND WASHER, Pan Head, M5x.8x25
	06500215	2	T				DG6		
		2	J, U				DG6		
11		1	J, U				DG6		FILTER, Transmission Oil
	52852913AB	1	T				DG6		
12		1	T				DG6		O RING, Trans Oil Filter
	06032780	1	J, U				DG6		
13		1	T				DG6		SPRING, Accumulator
	04471880	1	J, U				DG6		
14		1	T				DG6		SOLENOID, Transmission
	04800171AA	1	J, U				DG6		
15		1	T				DG6		SCREEN, Transmission Regulator Valve
	03878313	1	J, U				DG6		
16		1							SEAL, Accumulator, Serviced with piston, Seal Is Bonded, (NOT SERVICED)
17		1							SCREW AND WASHER, Pan Head, M5x.8x25
	06500215	2	T				DG6		
		2	J, U				DG6		
18		7	T				DG6		SCREW, Pan Head, M5 x 0.8 x 12.60
	06503232	7	J, U				DG6		

LIBERTY (KJ)

SERIES

P = Limited
H = Sport
M = Renegade

LINE

J = LHD (4WD)
U = RHD (4WD)
T = LHD (2WD)

BODY

74 = 4 Door (104.3 WB)

ENGINE

ED1 = Engine - 2.4L 4 Cyl
DOHC 16v SMPI
EKG = Engine - 3.7L V6
ENJ = Engine -2.5L 4 Cyl 16V
Turbo Diesel
ENR = Engine - 2.8L 4 Cyl
Turbo Diesel
ENO = 4Cyl Turbo Diesel
EKO = All 3.7L
EDO = All 2.4L

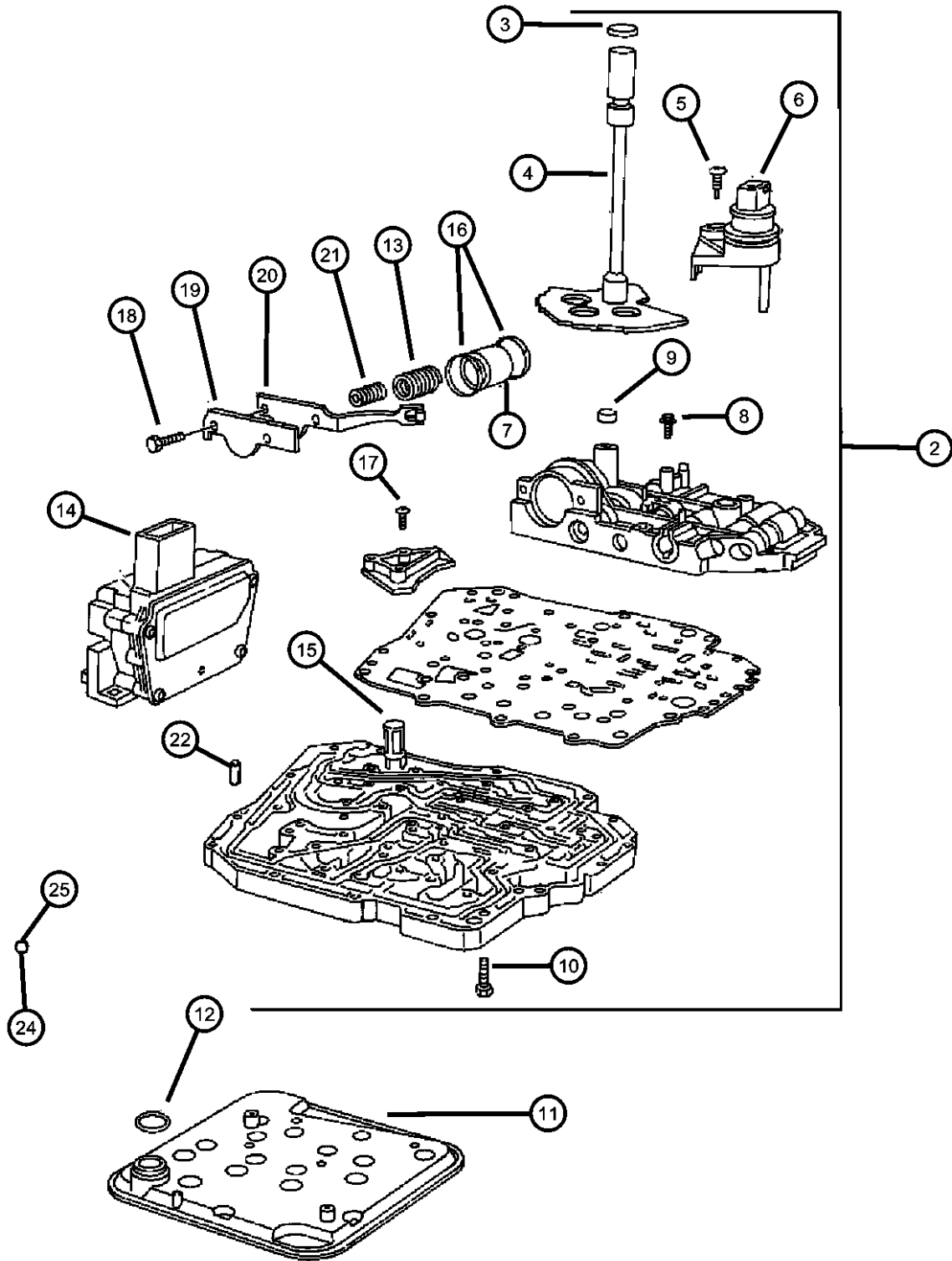
TRANSMISSION

DDD = Transmission - 5-Speed HD
Manual
DDK = Transmission - 5-Speed HD
Manual
DG4 = Transmission-Multi-Speed
Auto, 45RFE
DG6 = Transmission-4-Spd.
Automatic, 42RLE
DGQ = Transmission-5-Spd Automatic
5-45RFE
DBB = All Manual Transmissions
DG0 = All Automatic Transmissions

AR = use ase required - = Non illustrated part

2004 KJ

**Valve Body
Figure 42RLE-710**

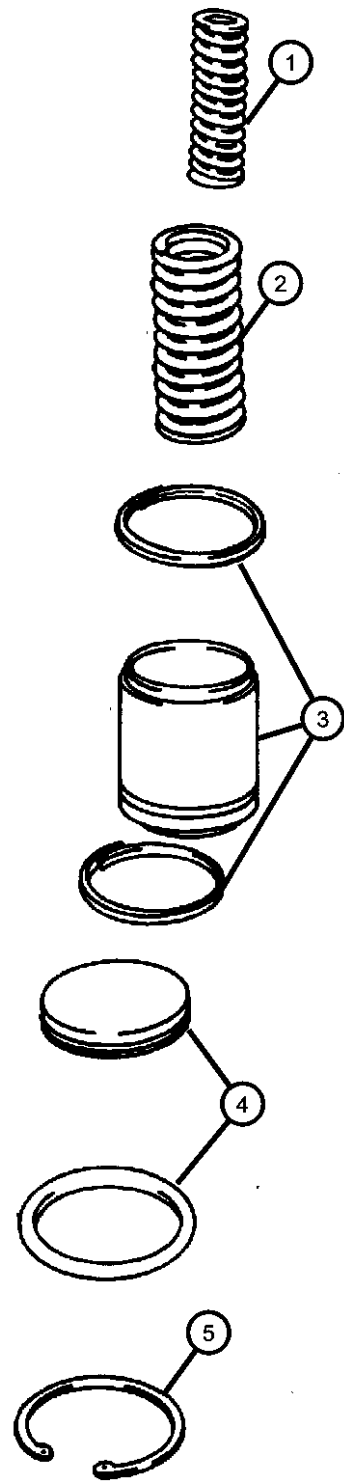


ITEM	PART NUMBER	QTY	LINE	SERIES	BODY	ENGINE	TRANS	TRIM	DESCRIPTION
19									RETAINER, Transmission 2nd and 4th Accumulator Piston
	04431711	1	T				DG6		
		1	J, U				DG6		
20									DETENT, Valve Body
	04431710	1	T				DG6		
		1	J, U				DG6		
21									SPRING, Accumulator
	04471880	1	T				DG6		
		1	J, U				DG6		
22									DOWEL, M6x16
	06100994	1	T				DG6		
		1	J, U				DG6		
-23									VALVE, Transmission Regulator
	04659081	1	T				DG6		
		1	J, U				DG6		
24									BALL, Check
	52118261	4	T				DG6		
		4	J, U				DG6		
25									BALL, Valve Body Check
	00104918	1	T				DG6		
		1	J, U				DG6		

LIBERTY (KJ)				
SERIES	LINE	BODY	ENGINE	TRANSMISSION
P = Limited	J = LHD (4WD)	74 = 4 Door (104.3 WB)	ED1 = Engine - 2.4L 4 Cyl DOHC 16v SMPI	DDD = Transmission - 5-Speed HD Manual
H = Sport	U = RHD (4WD)		EKG = Engine - 3.7L V6	DDK = Transmission - 5-Speed HD Manual
M = Renegade	T = LHD (2WD)		ENJ = Engine -2.5L 4 Cyl 16V Turbo Diesel	DG4 = Transmission-Multi-Speed Auto, 45RFE
			ENR = Engine - 2.8L 4 Cyl Turbo Diesel	DG6 = Transmission-4-Spd. Automatic, 42RLE
			ENO = 4Cyl Turbo Diesel	DGQ = Transmission-5-Spd Automatic 5-45RFE
			EK0 = All 3.7L	DBB = All Manual Transmissions
			ED0 = All 2.4L	DG0 = All Automatic Transmissions

AR = use ase required - = Non illustrated part

**Accumulator Pistons & Springs
Figure 42RLE-720**



ITEM	PART NUMBER	QTY	LINE	SERIES	BODY	ENGINE	TRANS	TRIM	DESCRIPTION
------	-------------	-----	------	--------	------	--------	-------	------	-------------

NOTE:
Sales Codes:
[DG6]=4 Speed Automatic Transmission - [42RLE]

1									SPRING, Accumulator
	04567575	1	T				DG6		
		1	J, U				DG6		
2									SPRING, Accumulator
	04471880	1	T				DG6		
		1	J, U				DG6		
3									PISTON, Accumulator
	04446620AC	1	J, U				DG6		
		1	T				DG6		
4									COVER, Accumulator
	04431617AB	1	T				DG6		
		1	J, U				DG6		
5									SNAP RING
	06501695	1	T				DG6		
		1	J, U				DG6		
-6									COVER, Accumulator
	04431617AB	1	T				DG6		
		1	J, U				DG6		

LIBERTY (KJ)

SERIES LINE
P = Limited J = LHD (4WD)
H = Sport U = RHD (4WD)
M = Renegade T = LHD (2WD)

BODY
74 = 4 Door (104.3 WB)

ENGINE
ED1 = Engine - 2.4L 4 Cyl
DOHC 16v SMPI
EKG = Engine - 3.7L V6
ENJ = Engine -2.5L 4 Cyl 16V
Turbo Diesel
ENR = Engine - 2.8L 4 Cyl
Turbo Diesel
ENO = 4Cyl Turbo Diesel
EKO = All 3.7L
EDO = All 2.4L

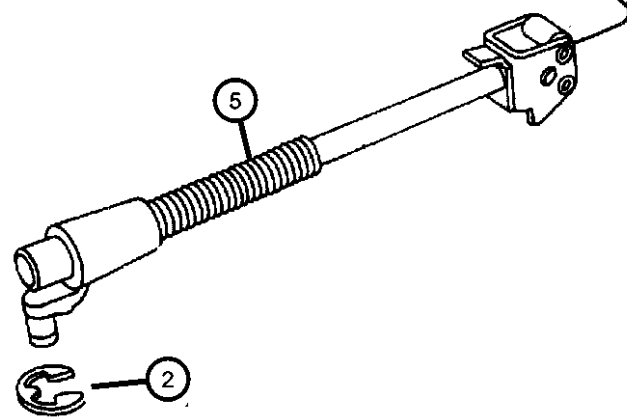
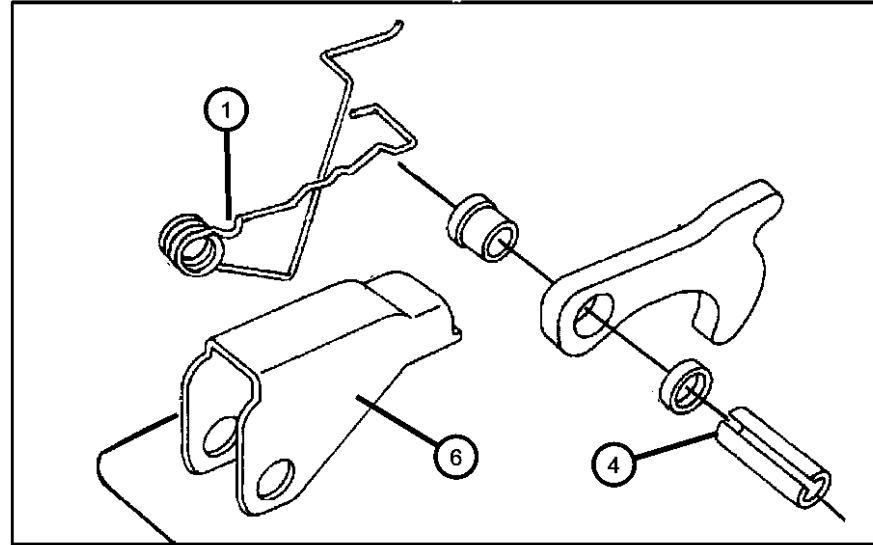
TRANSMISSION
DDD = Transmission - 5-Speed HD
Manual
DDK = Transmission - 5-Speed HD
Manual
DG4 = Transmission-Multi-Speed
Auto, 45RFE
DG6 = Transmission-4-Spd.
Automatic, 42RLE
DGQ = Transmission-5-Spd Automatic
5-45RFE
DBB = All Manual Transmissions
DG0 = All Automatic Transmissions

AR = use ase required - = Non illustrated part

2004 KJ

**Parking Sprag
Figure 42RLE-730**

ITEM	PART NUMBER	QTY	LINE	SERIES	BODY	ENGINE	TRANS	TRIM	DESCRIPTION
NOTES: Sales Codes [DG6]= 4 Speed Automatic Transmission - [42RLE]									
1	52852949AA	1	J, U				DG6		SPRING, Parking Sprag Return
		1	T				DG6		
2	06035256	1	T				DG6		SNAP RING, Rod
		1	J, U				DG6		
-3	06503384	1	J, U				DG6		SCREW AND WASHER, Hex Head, M5x.8x12
		1	T				DG6		
4	04431999	1	J, U				DG6		SHAFT, Parking Sprag
		1	T				DG6		
5	52852956AA	1	J, U				DG6		ROD, Parking Sprag
		1	T				DG6		
6	52852948AA	1	J, U				DG6		BRACKET, Parking Sprag
		1	T				DG6		



LIBERTY (KJ)

SERIES	LINE
P = Limited	J = LHD (4WD)
H = Sport	U = RHD (4WD)
M = Renegade	T = LHD (2WD)

BODY
74 = 4 Door (104.3 WB)

ENGINE
ED1 = Engine - 2.4L 4 Cyl DOHC 16v SMPI
EKG = Engine - 3.7L V6
ENJ = Engine -2.5L 4 Cyl 16V Turbo Diesel
ENR = Engine - 2.8L 4 Cyl Turbo Diesel
ENO = 4Cyl Turbo Diesel
EK0 = All 3.7L
ED0 = All 2.4L

TRANSMISSION
DDD = Transmission - 5-Speed HD Manual
DDK = Transmission - 5-Speed HD Manual
DG4 = Transmission-Multi-Speed Auto, 45RFE
DG6 = Transmission-4-Spd. Automatic, 42RLE
DGQ = Transmission-5-Spd Automatic 5-45RFE
DBB = All Manual Transmissions
DG0 = All Automatic Transmissions

AR = use ase required - = Non illustrated part

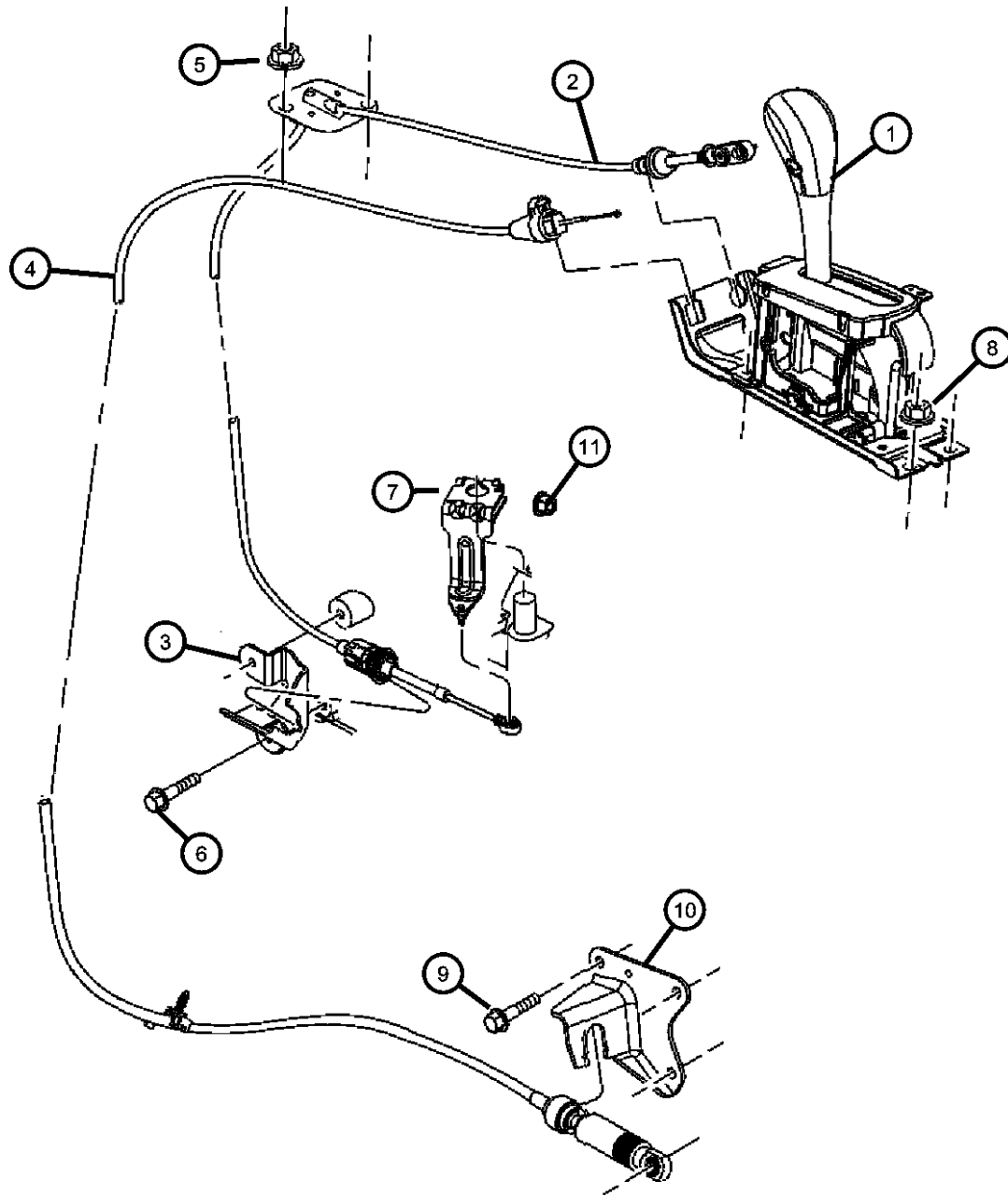
2004 KJ

Gearshift Control
Figure 42RLE-1210

ITEM	PART NUMBER	QTY	LINE	SERIES	BODY	ENGINE	TRANS	TRIM	DESCRIPTION
------	-------------	-----	------	--------	------	--------	-------	------	-------------

NOTES:
 Sales Codes
 [DG0] = All Automatic Transmissions

1									HOUSING AND LEVER, Shifter
	52104312AG	1	J, T				DG0		
	52104313AF	1	U				DG0		
2	52109748AA	1					DG6		CABLE, Gearshift Control
3	52128867AA	1					DG6		BRACKET, Shift Cable
4	52104319AC	1					DG0		CABLE, Gearshift Lock
5	06100047	2							NUT AND WASHER, Hex Nut-Coned Washer, M6 x 1.00
6	06101767	2					DG6		SCREW AND WASHER, M8x1.25x25
7	52109749AA	1				EK0	DG6		LEVER, Manual Control
8	34201358	4					DG0		NUT AND WASHER, Hex Nut-Sealing Washer, M6 x 1.00
9	06101752	3	J, U				DG0		SCREW AND WASHER, Hex Head, M10x1.5x28
10	52109747AB	1	J, U				DG6		BRACKET, Shifter
11	06506676AA	1				EK0	DG6		NUT & WASHER, M8x1.25



LIBERTY (KJ)

SERIES LINE
 P = Limited J = LHD (4WD)
 H = Sport U = RHD (4WD)
 M = Renegade T = LHD (2WD)

BODY
 74 = 4 Door (104.3 WB)

ENGINE
 ED1 = Engine - 2.4L 4 Cyl
 DOHC 16v SMPI
 EKG = Engine - 3.7L V6
 ENJ = Engine -2.5L 4 Cyl 16V
 Turbo Diesel
 ENR = Engine - 2.8L 4 Cyl
 Turbo Diesel
 EN0 = 4Cyl Turbo Diesel
 EK0 = All 3.7L
 ED0 = All 2.4L

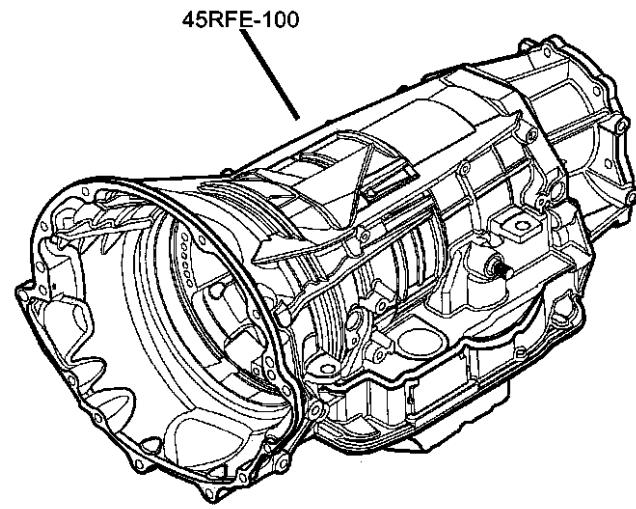
TRANSMISSION
 DDD = Transmission - 5-Speed HD
 Manual
 DDK = Transmission - 5-Speed HD
 Manual
 DG4 = Transmission-Multi-Speed
 Auto, 45RFE
 DG6 = Transmission-4-Spd.
 Automatic, 42RLE
 DGQ = Transmission-5-Spd Automatic
 5-45RFE
 DBB = All Manual Transmissions
 DG0 = All Automatic Transmissions

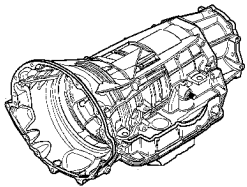
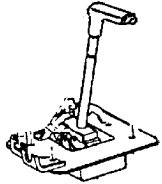
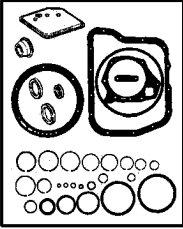
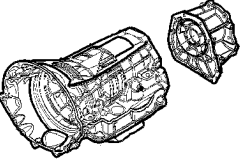
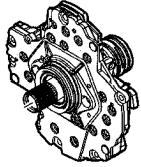
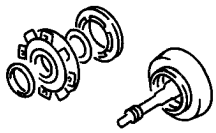
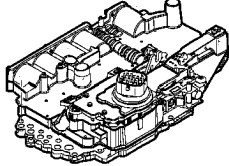
AR = use ase required - = Non illustrated part

2004 KJ

Group - 5-45RFE

Automatic Transmission Multi-Speed



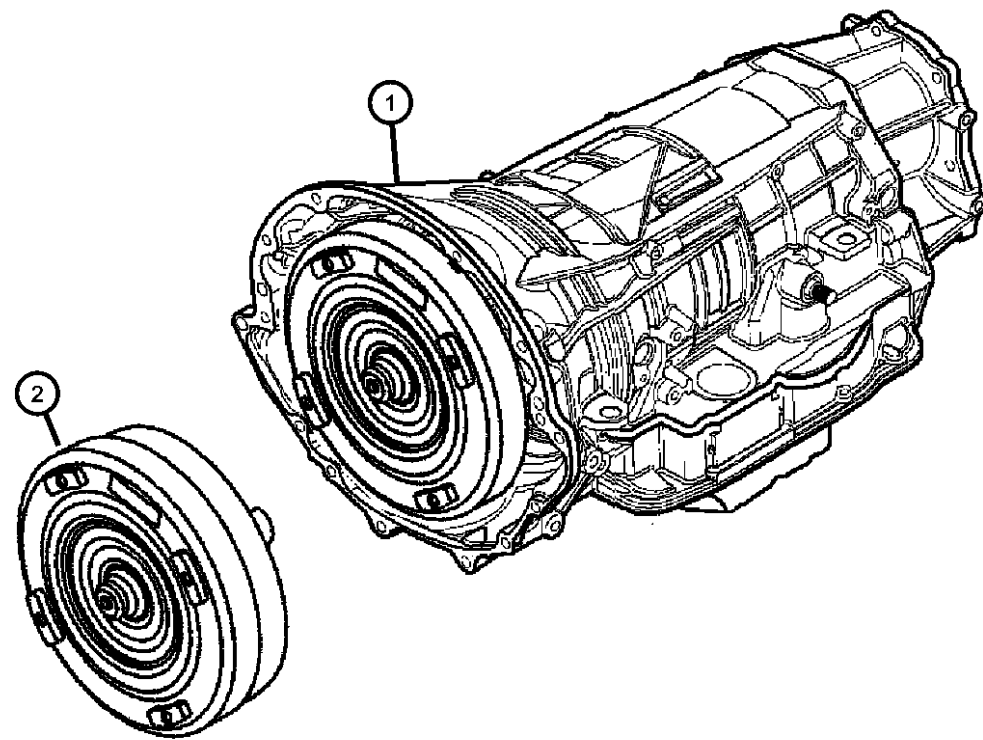
<p>5-45RFE-100 Transmission Assembly</p> 	<p>5-45RFE-1200 Gearshift Controls</p> 	<p>5-45RFE-1300 Seal and Shim Packages</p> 	<p>5-45RFE-200 Case and Extension</p> 
<p>5-45RFE-300 Oil Pump</p> 	<p>5-45RFE-400 Gear Train</p> 	<p>5-45RFE-700 Valve Body</p> 	

Group - 5-45RFE Automatic Transmission Multi-Speed

Illustration Title	Group-Fig. No.
Transmission Assembly	
Transmission Assembly [DGQ]	Fig. 5-45RFE - 110
Case and Extension	
Transmission Mounting	Fig. 5-45RFE - 210
Adapter.....	Fig. 5-45RFE - 220
Case & Related Parts.....	Fig. 5-45RFE - 230
Transmission Overhaul Package	Fig. 5-45RFE - 240
Oil Pump	
Oil Pump	Fig. 5-45RFE - 310
Gear Train	
Input Shaft	Fig. 5-45RFE - 410
Underdrive	Fig. 5-45RFE - 420
Overdrive	Fig. 5-45RFE - 430
2 / 4 Clutch Retainer	Fig. 5-45RFE - 440
Input / Reverse Planetary.....	Fig. 5-45RFE - 450
Reaction Annulus / Sun Gear	Fig. 5-45RFE - 460
Low / Reverse Clutch	Fig. 5-45RFE - 470
Valve Body	
Valve Body.....	Fig. 5-45RFE - 710
Parking Sprag	Fig. 5-45RFE - 730
Gearshift Controls	
Gearshift Controls.....	Fig. 5-45RFE - 1210
Seal and Shim Packages	
L / R Clutch	Fig. 5-45RFE - 1310
Input Clutch Plate	Fig. 5-45RFE - 1320
O / H.....	Fig. 5-45RFE - 1330
Input Clutch.....	Fig. 5-45RFE - 1340
Planetary Plate	Fig. 5-45RFE - 1350
2 & 4 Clutch.....	Fig. 5-45RFE - 1360

**Transmission Assembly [DGQ]
Figure 5-45RFE-110**

ITEM	PART NUMBER	QTY	LINE	SERIES	BODY	ENGINE	TRANS	TRIM	DESCRIPTION
NOTE: Sales Codes: [DGQ]=5 Speed Automatic Transmission - [5-45RFE] [EN0]=All 4/5 Cyl. Turbo Diesel Engine									
1	05093121AA 05013457AA 05013458AA	1	J, U			EN0	DGQ		TRANSMISSION KIT, Automatic, [Includes Torque Converter] Mopar Automatic Transmission Fluid Quart Mopar Automatic Transmission Fluid Gallon
2	04736582 R4736582	1	J, U			EN0	DGQ		TORQUE CONVERTER Mopar Remanufactured Part
3	01949765	4					DGQ		SCREW, Hex Head Header Point, .312-24x.44



LIBERTY (KJ)

SERIES

P = Limited
H = Sport
M = Renegade

LINE

J = LHD (4WD)
U = RHD (4WD)
T = LHD (2WD)

BODY

74 = 4 Door (104.3 WB)

ENGINE

ED1 = Engine - 2.4L 4 Cyl DOHC 16v SMPI
EKG = Engine - 3.7L V6
ENJ = Engine -2.5L 4 Cyl 16V Turbo Diesel
ENR = Engine - 2.8L 4 Cyl Turbo Diesel
EN0 = 4Cyl Turbo Diesel
EK0 = All 3.7L
ED0 = All 2.4L

TRANSMISSION

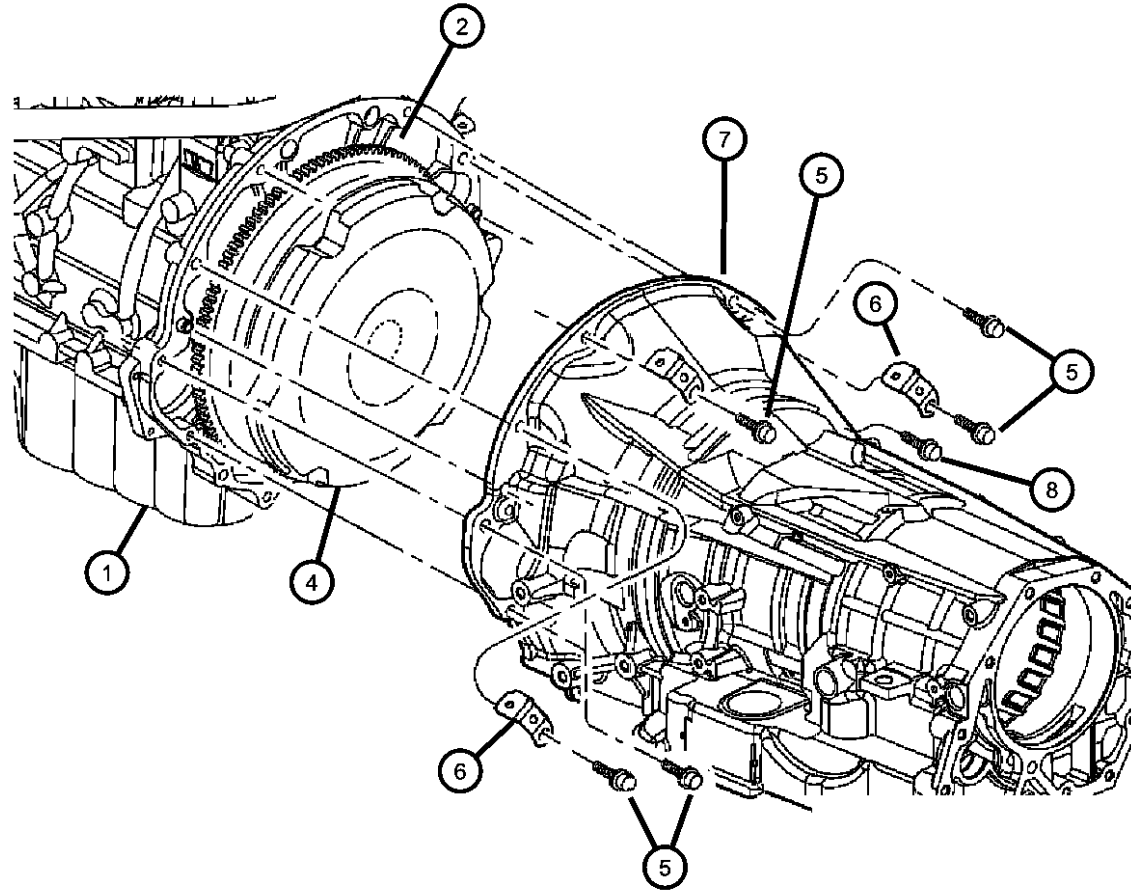
DDD = Transmission - 5-Speed HD Manual
DDK = Transmission - 5-Speed HD Manual
DG4 = Transmission-Multi-Speed Auto, 45RFE
DG6 = Transmission-4-Spd. Automatic, 42RLE
DGQ = Transmission-5-Spd Automatic 5-45RFE
DBB = All Manual Transmissions
DG0 = All Automatic Transmissions

AR = use ase required - = Non illustrated part

2004 KJ

**Transmission Mounting
Figure 5-45RFE-210**

ITEM	PART NUMBER	QTY	LINE	SERIES	BODY	ENGINE	TRANS	TRIM	DESCRIPTION
NOTE: Sales Codes: [DGQ]=5 Speed Automatic Transmission - [5-45RFE] [EN0]=All 4/5 Cyl. Turbo Diesel Engines									
1	01949765	4							ENGINE, (NOT SERVICED)
2	05093958AA	1				EN0	DG0		PLATE, Torque Converter Drive
-3	05014969AA	1				EN0	DG0		BOLT, Flexplate
4	04736582	1	J, U			EN0	DGQ		TORQUE CONVERTER Mopar Remanufactured Part
5	06022266	6				EN0	DGQ		SCREW, Hex Head, .375-16x1.5
6	56041379AA	1				EK0	DG6		CLIP, Housing
7	05093121AA	1	J, U			EN0	DGQ		TRANSMISSION KIT, Automatic, Includes Torque Converter Mopar Automatic Transmission Fluid Quart Mopar Automatic Transmission Fluid Gallon
8	06036385AA	1				EN0	DGQ		SCREW AND WASHER, Hex Head, .437-14x2.00



LIBERTY (KJ)

SERIES	LINE	BODY	ENGINE	TRANSMISSION
P = Limited	J = LHD (4WD)	74 = 4 Door (104.3 WB)	ED1 = Engine - 2.4L 4 Cyl DOHC 16v SMPI	DDD = Transmission - 5-Speed HD Manual
H = Sport	U = RHD (4WD)		EKG = Engine - 3.7L V6	DDK = Transmission - 5-Speed HD Manual
M = Renegade	T = LHD (2WD)		ENJ = Engine -2.5L 4 Cyl 16V Turbo Diesel	DG4 = Transmission-Multi-Speed Auto, 45RFE
			ENR = Engine - 2.8L 4 Cyl Turbo Diesel	DG6 = Transmission-4-Spd. Automatic, 42RLE
			EN0 = 4Cyl Turbo Diesel	DGQ = Transmission-5-Spd Automatic 5-45RFE
			ED0 = All 2.4L	DBB = All Manual Transmissions DG0 = All Automatic Transmissions

AR = use ase required - = Non illustrated part

Adapter
Figure 5-45RFE-220

ITEM	PART NUMBER	QTY	LINE	SERIES	BODY	ENGINE	TRANS	TRIM	DESCRIPTION
------	-------------	-----	------	--------	------	--------	-------	------	-------------

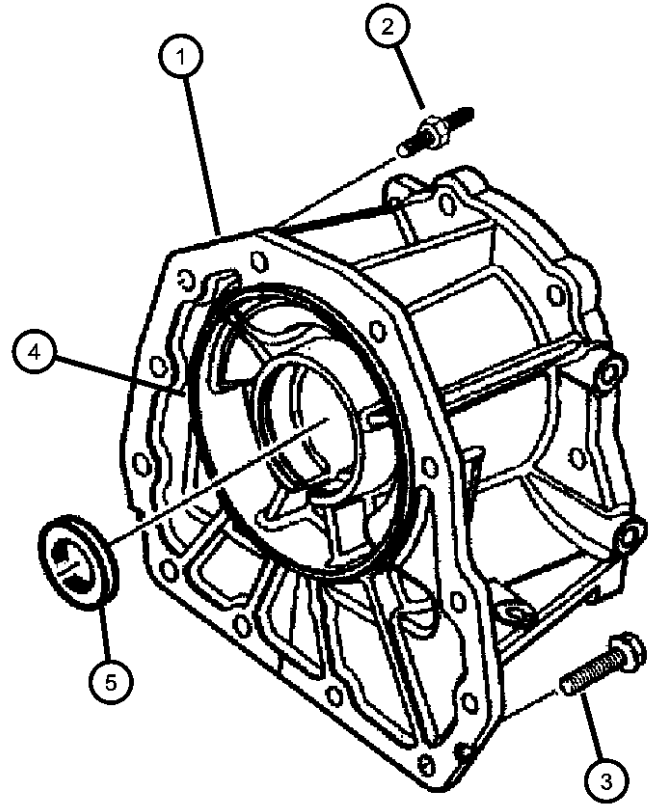
NOTE:

Sales Codes:

[DGQ]=5 Speed Automatic Transmission - [5-45RFE]

[EN0]=All 4/5 Cyl. Turbo Diesel Engines

1	52104357AA	1	J, U			EN0	DGQ		ADAPTER, Transfer Case
2	06505064AA	2	J, U			EN0	DGQ		STUD, M10x1.5x62
3	06504774	10	J, U			EN0	DGQ		SCREW AND WASHER, Hex Head, M10x1.5x37
4	04799090	1	J, U			EN0	DGQ		SEAL, Input
5	05019020AA	1	J, U			EN0	DGQ		SEAL, Input Gear



LIBERTY (KJ)

SERIES

P = Limited
H = Sport
M = Renegade

LINE

J = LHD (4WD)
U = RHD (4WD)
T = LHD (2WD)

BODY

74 = 4 Door (104.3 WB)

ENGINE

ED1 = Engine - 2.4L 4 Cyl
DOHC 16v SMPI
EKG = Engine - 3.7L V6
ENJ = Engine -2.5L 4 Cyl 16V
Turbo Diesel
ENR = Engine - 2.8L 4 Cyl
Turbo Diesel
EN0 = 4Cyl Turbo Diesel
EK0 = All 3.7L
ED0 = All 2.4L

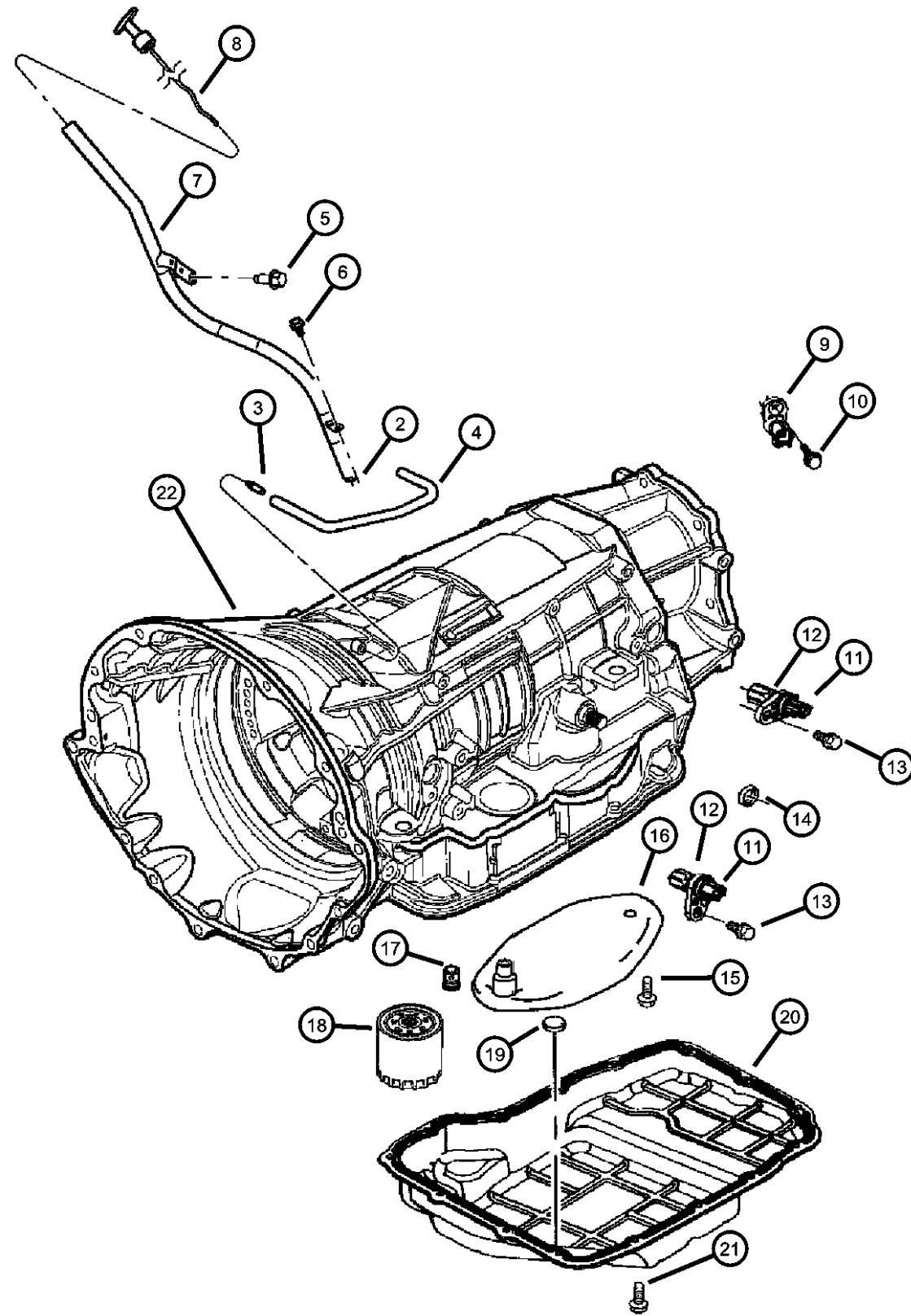
TRANSMISSION

DDD = Transmission - 5-Speed HD
Manual
DDK = Transmission - 5-Speed HD
Manual
DG4 = Transmission-Multi-Speed
Auto, 45RFE
DG6 = Transmission-4-Spd.
Automatic, 42RLE
DGQ = Transmission-5-Spd Automatic
5-45RFE
DBB = All Manual Transmissions
DG0 = All Automatic Transmissions

AR = use ase required - = Non illustrated part

2004 KJ

Case & Related Parts
Figure 5-45RFE-230



ITEM	PART NUMBER	QTY	LINE	SERIES	BODY	ENGINE	TRANS	TRIM	DESCRIPTION
-1	05014221AJ	1	J, U			EN0	DGQ		OVERHAUL PACKAGE, Transmission
2	04810021	1	J, U			EN0	DGQ		GROMMET
3	04799861AB	1	J, U			EN0	DGQ		VENT, Transmission
4	53032457AA	1					DG4		TUBE, Vent
5	06022266	1	J, U			EN0	DGQ		SCREW, Hex Head, .375-16x1.5
6	06501979	1							SCREW AND WASHER, Hex Head, M6x1x17
7	53013497AC	1				EN0	DG0		TUBE, Transmission Oil Filler
8	53013719AA	1					DGQ		INDICATOR, Transmission Fluid Level
9	04799758AC	1	J, U			EN0	DGQ		TRANSDUCER, Pressure Sensor, Line Pressure
10	06101221	1	J, U			EN0	DGQ		SCREW, Line Pressure Sensor
11	04799061	2	J, U			EN0	DGQ		SENSOR, Transmission Output Speed, Input & Output Sensor
12	04799062	2	J, U			EN0	DGQ		O RING
13	06101331	2	J, U			EN0	DGQ		BOLT, M6x1.00x20
14	04799346	1	J, U			EN0	DGQ		SEAL, Manual Lever Shaft
15	06503232	1	J, U			EN0	DGQ		SCREW, Pan Head, M5 x 0.8 x 12.60, Oil Filter To Transfer Plate
16	05013470AC	1	J, U			EN0	DGQ		FILTER PACKAGE, Transmission Oil
17	04799681	1	J, U			EN0	DGQ		VALVE, Flow Control
18	04799662	1	J, U			EN0	DGQ		FILTER, Transmission Oil
19	04446728	1	J, U			EN0	DGQ		MAGNET, Transmission
20	05013681AA	1	J, U			EN0	DGQ		PAN, Transmission Oil
21	06101221	15	J, U			EN0	DGQ		SCREW
22	04799613AB	1	J, U			EN0	DGQ		CASE, Transmission
-23	06505262AA	6	J, U			EN0	DGQ		SCREW, Pan Head Locking, M5x0.8x30.00, Solenoid To Cover Plate

LIBERTY (KJ)

SERIES LINE
P = Limited J = LHD (4WD)
H = Sport U = RHD (4WD)
M = Renegade T = LHD (2WD)

BODY
74 = 4 Door (104.3 WB)

ENGINE
ED1 = Engine - 2.4L 4 Cyl DOHC 16v SMPI
EKG = Engine - 3.7L V6
ENJ = Engine -2.5L 4 Cyl 16v Turbo Diesel
ENR = Engine - 2.8L 4 Cyl Turbo Diesel
EN0 = 4Cyl Turbo Diesel
EKO = All 3.7L
ED0 = All 2.4L

TRANSMISSION
DDD = Transmission - 5-Speed HD Manual
DDK = Transmission - 5-Speed HD Manual
DG4 = Transmission-Multi-Speed Auto, 45RFE
DG6 = Transmission-4-Spd. Automatic, 42RLE
DGQ = Transmission-5-Spd Automatic 5-45RFE
DBB = All Manual Transmissions
DG0 = All Automatic Transmissions

AR = use ase required - = Non illustrated part

2004 KJ

**Transmission Overhaul Package
Figure 5-45RFE-240**

ITEM	PART NUMBER	QTY	LINE	SERIES	BODY	ENGINE	TRANS	TRIM	DESCRIPTION
------	-------------	-----	------	--------	------	--------	-------	------	-------------

NOTE:

Sales Codes:

[DGQ]=5 Speed Automatic Transmission - [5-45RFE]

[EN0]=All 4/5 Cylinder Turbo Diesel Engines

1 05014221AJ 1 J, U

EN0 DGQ

OVERHAUL PACKAGE,
Transmission

O/H seal/gasket package

05014221ac

1

	2&4 clutch package	
	Input clutch package	
	L/R clutch package	
	Sump filter & seal package	
	Cooler filter	
	fill tube sea	
	Frt pmp cover o-ring/seal assy	
	Rotating shaft seal,pmp hsg	
	Adapter seal, 4x4	
	Extension seal,4x2	
	Manual lever seal	
(2)	Speed sensor seal	
	Reaction supt ring seal	
	Rev O/D clutch filter	
(10)	Accumulator ring seal	
(3)	Valve body seal	
	Check valve o-ring	
	Solenoid insulator seal	
	T/C seal	

LIBERTY (KJ)

SERIES

P = Limited

H = Sport

M = Renegade

LINE

J = LHD (4WD)

U = RHD (4WD)

T = LHD (2WD)

BODY

74 = 4 Door (104.3 WB)

ENGINE

ED1 = Engine - 2.4L 4 Cyl

DOHC 16v SMPI

EKG = Engine - 3.7L V6

ENJ = Engine -2.5L 4 Cyl 16V

Turbo Diesel

ENR = Engine - 2.8L 4 Cyl

Turbo Diesel

EN0 = 4Cyl Turbo Diesel

EK0 = All 3.7L

ED0 = All 2.4L

TRANSMISSION

DDD = Transmission - 5-Speed HD Manual

DDK = Transmission - 5-Speed HD Manual

DG4 = Transmission-Multi-Speed

Auto, 45RFE

DG6 = Transmission-4-Spd.

Automatic, 42RLE

DGQ = Transmission-5-Spd Automatic

5-45RFE

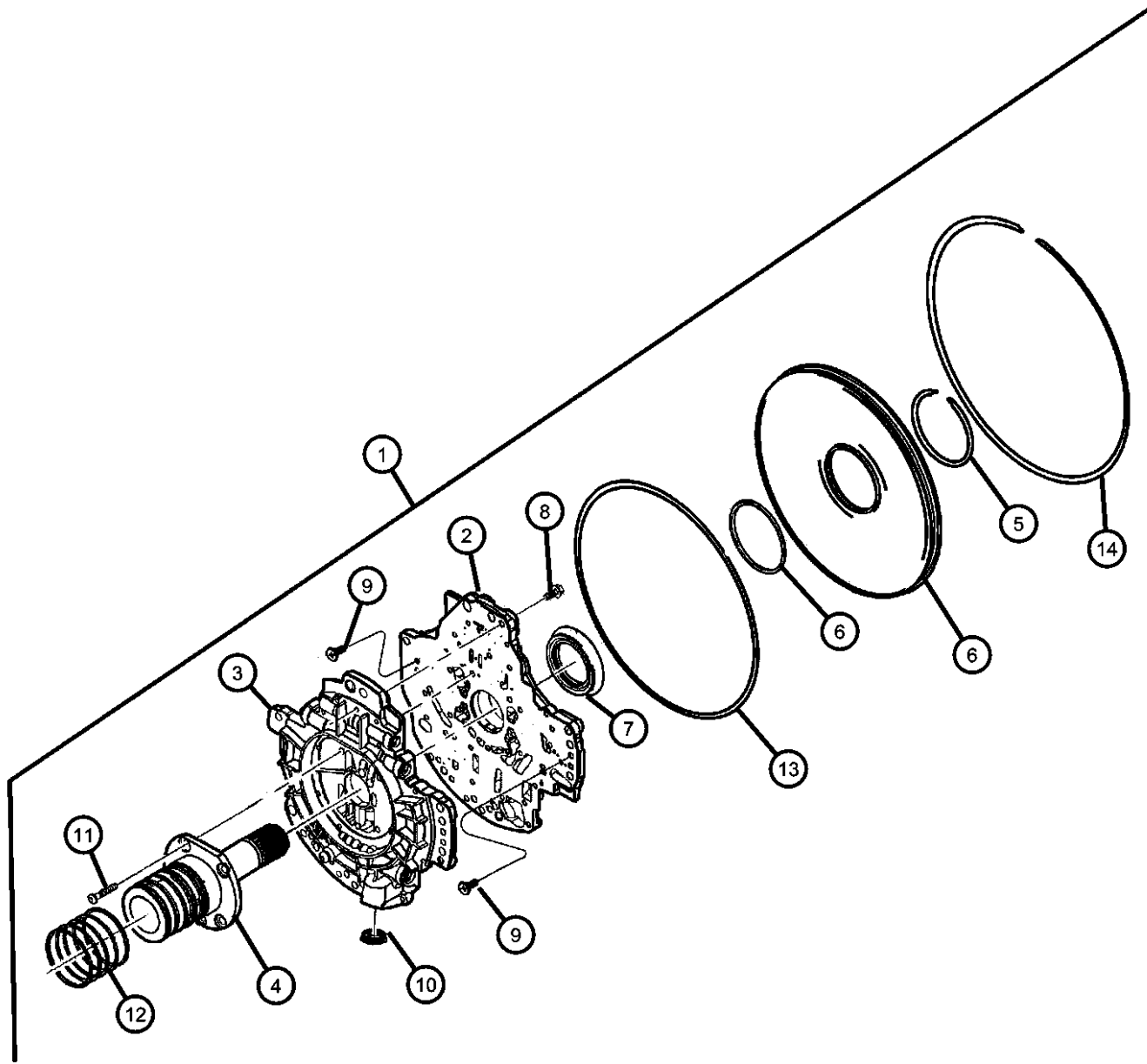
DBB = All Manual Transmissions

DG0 = All Automatic Transmissions

AR = use ase required - = Non illustrated part

2004 KJ

**Oil Pump
Figure 5-45RFE-310**



ITEM	PART NUMBER	QTY	LINE	SERIES	BODY	ENGINE	TRANS	TRIM	DESCRIPTION
------	-------------	-----	------	--------	------	--------	-------	------	-------------

NOTE:

Sales Codes:

[DGQ]=5 Speed Automatic Transmission - [5-45RFE]

[EN0]=All 4 Cylinder Turbo Diesel Engines

1	05073004AB	1	J, U			EN0	DGQ		PUMP PACKAGE, Transmission
2	05073004AB	1							HOUSING, Pump, (NOT SERVICED)
3	05073004AB	1							BODY, Oil Pump Valve, (NOT SERVICED)
4	05073004AB	1							SUPPORT, Reaction Shaft, (NOT SERVICED)
5	04799082	1	J, U			EN0	DGQ		SNAP RING, Transmission
6	04799609	1	J, U			EN0	DGQ		COVER, Oil Pump
7	04617919	1	J, U			EN0	DGQ		SEAL, Transmission Oil Pump
8	06500215	24	J, U			EN0	DGQ		SCREW AND WASHER, Pan Head, M5x.8x25
9	06503232	2	J, U			EN0	DGQ		SCREW, Pan Head, M5 x 0.8 x 12.60
10	04799964AB	1	J, U			EN0	DGQ		SEAL, Oil Pump
11	06504661	5	J, U			EN0	DGQ		SCREW, Button Head
12	04799056	5	J, U			EN0	DGQ		RING, Transmission
13	04799003	1	J, U			EN0	DGQ		O RING, Oil Pump, .
14	04799005	1	J, U			EN0	DGQ		SNAP RING, Transmission
-15	04736547	1	J, U			EN0	DGQ		SEAL, Torque Converter Hub

LIBERTY (KJ)

SERIES

P = Limited
H = Sport
M = Renegade

LINE

J = LHD (4WD)
U = RHD (4WD)
T = LHD (2WD)

BODY

74 = 4 Door (104.3 WB)

ENGINE

ED1 = Engine - 2.4L 4 Cyl
DOHC 16v SMPI
EKG = Engine - 3.7L V6
ENJ = Engine -2.5L 4 Cyl 16V
Turbo Diesel
ENR = Engine - 2.8L 4 Cyl
Turbo Diesel
EN0 = 4Cyl Turbo Diesel
EKO = All 3.7L
ED0 = All 2.4L

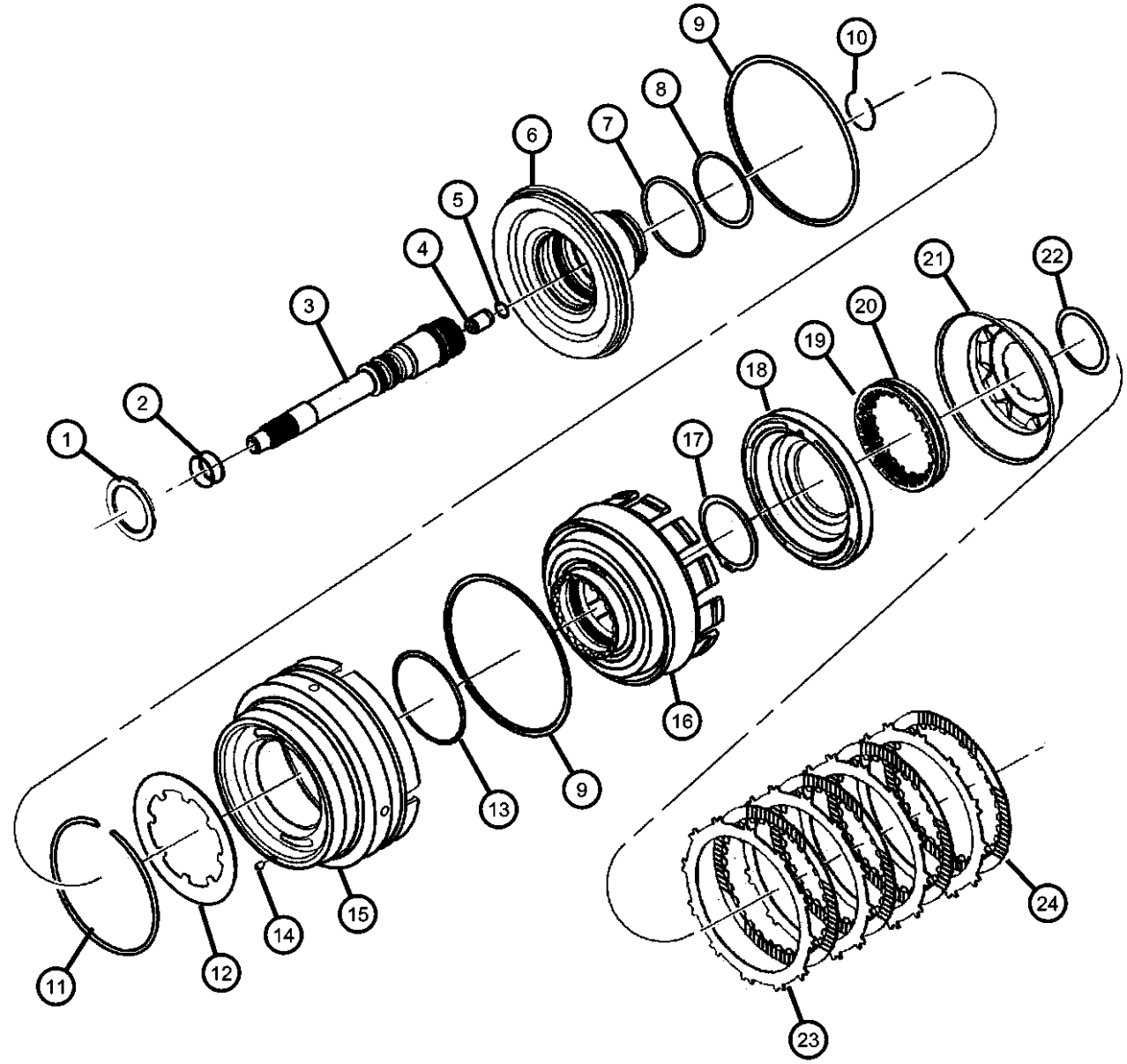
TRANSMISSION

DDD = Transmission - 5-Speed HD
Manual
DDK = Transmission - 5-Speed HD
Manual
DG4 = Transmission-Multi-Speed
Auto, 45RFE
DG6 = Transmission-4-Spd.
Automatic, 42RLE
DGQ = Transmission-5-Spd Automatic
5-45RFE
DBB = All Manual Transmissions
DG0 = All Automatic Transmissions

AR = use ase required - = Non illustrated part

2004 KJ

**Input Shaft
Figure 5-45RFE-410**

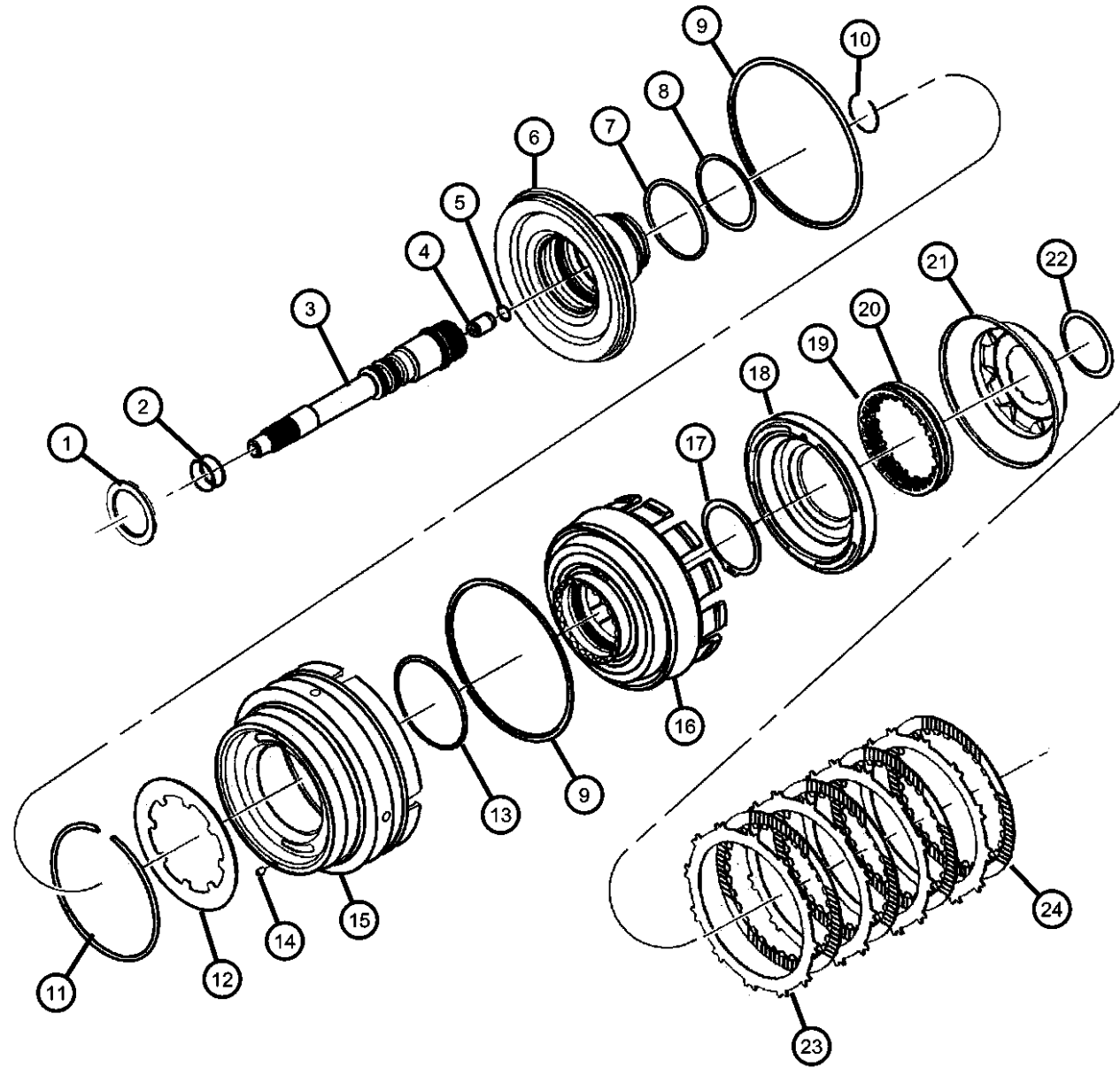


ITEM	PART NUMBER	QTY	LINE	SERIES	BODY	ENGINE	TRANS	TRIM	DESCRIPTION
NOTE: Sales Codes: [DGQ]=5 Speed Automatic Transmission - [5-45RFE] [EN0]=All 4/5 Cylinder Turbo Diesel Engines									
1	04799469	1	J, U			EN0	DGQ		THRUST BEARING, Needle Roller
2	04799539	2	J, U			EN0	DGQ		SEAL, Input Shaft, PKG 05013090AA
3	04799537	1	J, U			EN0	DGQ		SHAFT, Input
4	04799974AA	1	J, U			EN0	DGQ		CHECK VALVE, Transmission
5	04799978AA	1	J, U			EN0	DGQ		SNAP RING
6	04799536AC	1	J, U			EN0	DGQ		HUB, Input Clutch
7	04799073	1	J, U			EN0	DGQ		O RING, Transmission Clutch, PKG 05013090AA
8									O RING, Transmission Clutch, PKG 05013090AA
	04799073	1	J, U			EN0	DGQ		Input Clutch Hub [LARGE]
	04799755	1	J, U			EN0	DGQ		Input Hub To Retainer [SMALL]
9	04799090	1	J, U			EN0	DGQ		SEAL, Input, PKG 05013090AA
10	04799538	1	J, U			EN0	DGQ		SNAP RING, Input Shaft
11	04799088	1	J, U			EN0	DGQ		SNAP RING, Transmission
12	04799087	1	J, U			EN0	DGQ		SPRING, Piston Return
13	04799089	1	J, U			EN0	DGQ		O RING, Reverse & O/Drive Clutch Piston, Transmission, PKG 05013090AA
14	04531903	1	J, U			EN0	DGQ		FILTER, Reverse And O/D Clutch
15	05073525AA	AR	J, U			EN0	DGQ		PISTON, Reverse and Overdrive
16	04799648	1	J, U			EN0	DGQ		RETAINER, Transmission Input Clutch
17	04799247	1	J, U			EN0	DGQ		SNAP RING
18	04799650	1	J, U			EN0	DGQ		PISTON, Underdrive
19	04746155	1	J, U			EN0			BEARING, Input Gear
20	04799101	1	J, U			EN0	DGQ		SPRING, Undredrive Piston, PKG 05013090AA
21	04799652	1	J, U			EN0	DGQ		PISTON, Underdrive

LIBERTY (KJ)				
SERIES	LINE	BODY	ENGINE	TRANSMISSION
P = Limited	J = LHD (4WD)	74 = 4 Door (104.3 WB)	ED1 = Engine - 2.4L 4 Cyl DOHC 16v SMPI	DDD = Transmission - 5-Speed HD Manual
H = Sport	U = RHD (4WD)		EKG = Engine - 3.7L V6	DDK = Transmission - 5-Speed HD Manual
M = Renegade	T = LHD (2WD)		ENJ = Engine -2.5L 4 Cyl 16V Turbo Diesel	DG4 = Transmission-Multi-Speed Auto, 45RFE
			ENR = Engine - 2.8L 4 Cyl Turbo Diesel	DG6 = Transmission-4-Spd. Automatic, 42RLE
			EN0 = 4Cyl Turbo Diesel	DGQ = Transmission-5-Spd Automatic 5-45RFE
			EK0 = All 3.7L	DBB = All Manual Transmissions
			ED0 = All 2.4L	DG0 = All Automatic Transmissions

AR = use ase required - = Non illustrated part

**Input Shaft
Figure 5-45RFE-410**



ITEM	PART NUMBER	QTY	LINE	SERIES	BODY	ENGINE	TRANS	TRIM	DESCRIPTION
22	04799103	1	J, U			EN0	DGQ		SNAP RING, Transmission, PKG 05013090AA
23	04799103	1							PLATE, PKG 05013090AA, (NOT SERVICED)
24	04799103	1							DISC, Clutch, PKG 05013090AA, (NOT SERVICED)
-25									SNAP RING
	04799097	1	J, U			EN0	DGQ		Input Retainer To Hub
	05072304AA	1	J, U						

LIBERTY (KJ)				
SERIES	LINE	BODY	ENGINE	TRANSMISSION
P = Limited	J = LHD (4WD)	74 = 4 Door (104.3 WB)	ED1 = Engine - 2.4L 4 Cyl DOHC 16v SMPI	DDD = Transmission - 5-Speed HD Manual
H = Sport	U = RHD (4WD)		EKG = Engine - 3.7L V6	DDK = Transmission - 5-Speed HD Manual
M = Renegade	T = LHD (2WD)		ENJ = Engine -2.5L 4 Cyl 16V Turbo Diesel	DG4 = Transmission-Multi-Speed Auto, 45RFE
			ENR = Engine - 2.8L 4 Cyl Turbo Diesel	DG6 = Transmission-4-Spd. Automatic, 42RLE
			EN0 = 4Cyl Turbo Diesel	DGQ = Transmission-5-Spd Automatic 5-45RFE
			EK0 = All 3.7L	DBB = All Manual Transmissions
			ED0 = All 2.4L	DG0 = All Automatic Transmissions

AR = use ase required - = Non illustrated part

**Underdrive
Figure 5-45RFE-420**

ITEM	PART NUMBER	QTY	LINE	SERIES	BODY	ENGINE	TRANS	TRIM	DESCRIPTION
------	-------------	-----	------	--------	------	--------	-------	------	-------------

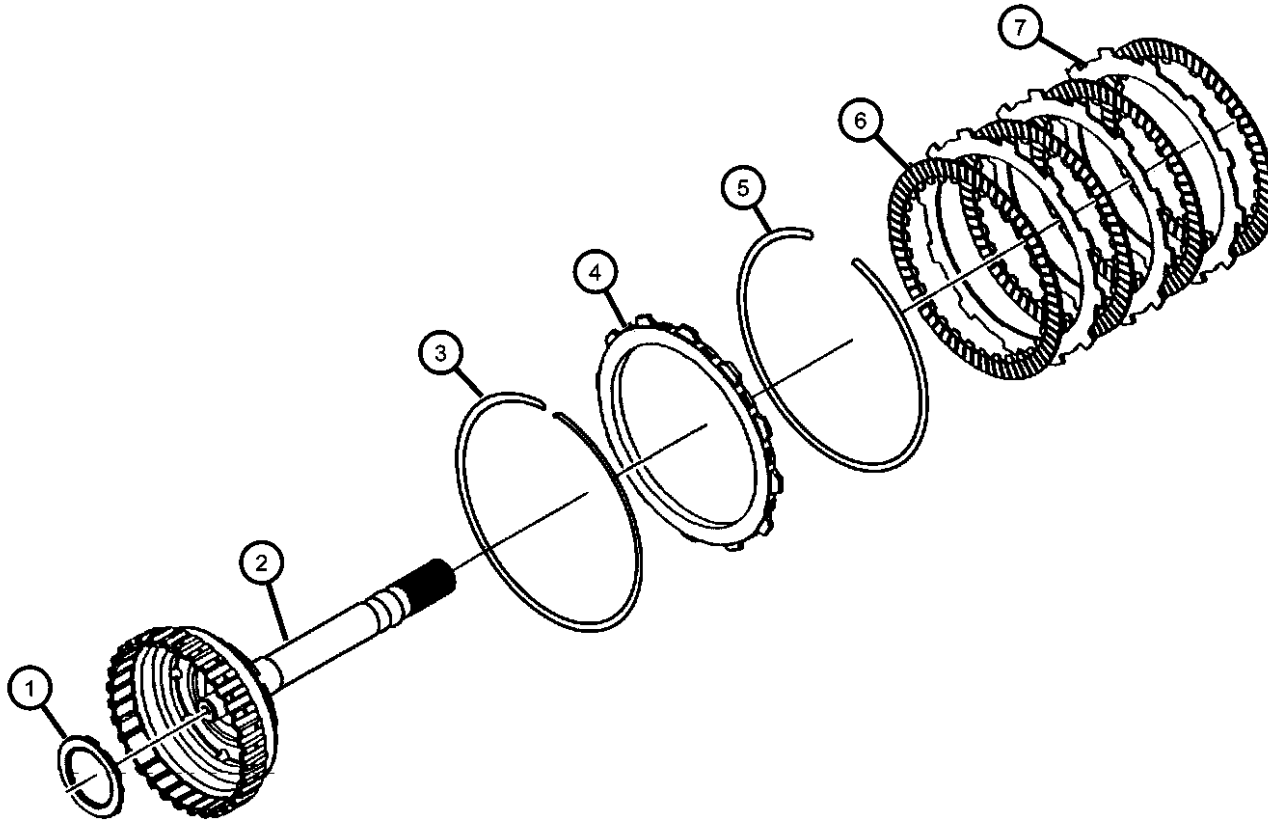
NOTE:

Sales Codes:

[DGQ]=5 Speed Automatic Transmission - [5-45RFE]

[EN0]=All 4/5 Cylinder Turbo Diesel Engines

1	04799469	AR	J, U			EN0	DGQ		THRUST BEARING, Needle Roller
2	04799546	1	J, U			EN0	DGQ		HUB AND SHAFT, Underdrive Clutch
3	04799760	1	J, U			EN0	DGQ		SNAP RING, Transmission
4	04799108AD	AR	J, U			EN0	DGQ		PLATE, Transmission Clutch Reaction
5	04799108AD	AR							SNAP RING, Serviced In Pkg. (05013090AA), (NOT SERVICED)
6	04799108AD	AR							DISC, Clutch, Serviced In Pkg. (05013090AA), (NOT SERVICED)
7	04799108AD	AR							PLATE, Serviced In Pkg. (05013090AA), (NOT SERVICED)



LIBERTY (KJ)

SERIES

P = Limited
H = Sport
M = Renegade

LINE

J = LHD (4WD)
U = RHD (4WD)
T = LHD (2WD)

BODY

74 = 4 Door (104.3 WB)

ENGINE

ED1 = Engine - 2.4L 4 Cyl DOHC 16v SMPI
EKG = Engine - 3.7L V6 Turbo Diesel
ENJ = Engine -2.5L 4 Cyl 16V Turbo Diesel
ENR = Engine - 2.8L 4 Cyl Turbo Diesel
EN0 = 4Cyl Turbo Diesel
EK0 = All 3.7L
ED0 = All 2.4L

TRANSMISSION

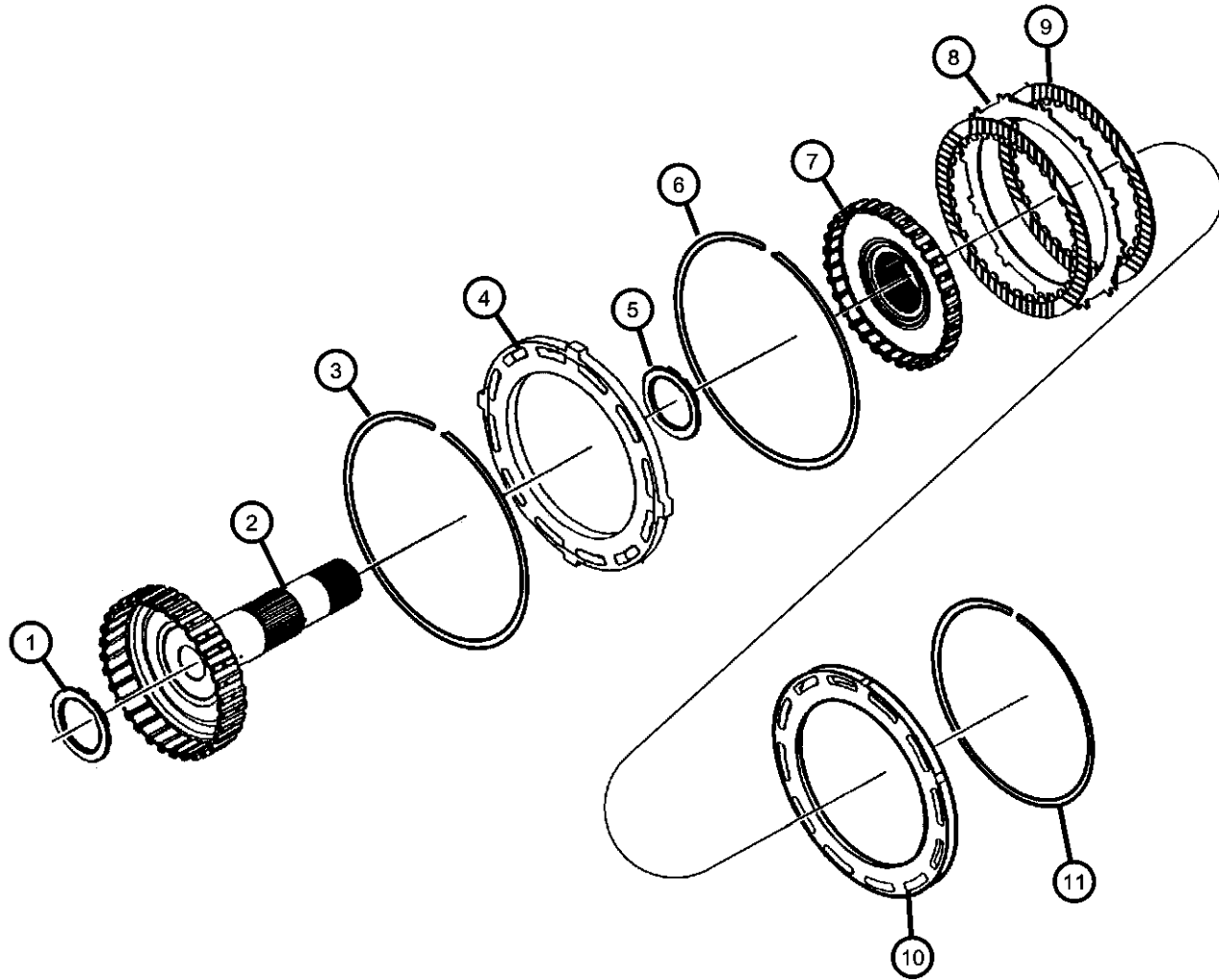
DDD = Transmission - 5-Speed HD Manual
DDK = Transmission - 5-Speed HD Manual
DG4 = Transmission-Multi-Speed Auto, 45RFE
DG6 = Transmission-4-Spd. Automatic, 42RLE
DGQ = Transmission-5-Spd Automatic 5-45RFE
DBB = All Manual Transmissions
DG0 = All Automatic Transmissions

AR = use ase required - = Non illustrated part

2004 KJ

**Overdrive
Figure 5-45RFE-430**

ITEM	PART NUMBER	QTY	LINE	SERIES	BODY	ENGINE	TRANS	TRIM	DESCRIPTION
NOTE: Sales Codes: [DGQ]=5 Speed Automatic Transmission - [5-45RFE] [EN0]=All 4/5 Cylinder Turbo Diesel Engines									
1	04799469	AR	J, U			EN0	DGQ		THRUST BEARING, Needle Roller
2	04799550	1	J, U			EN0	DGQ		HUB AND SHAFT, Overdrive Clutch
3	04799118	1	J, U			EN0	DGQ		SNAP RING, Overdrive Clutch
4	04799116AB	1	J, U			EN0	DGQ		PLATE, Clutch Pressure
5	04799469	1	J, U			EN0	DGQ		THRUST BEARING, Needle Roller
6	04799117	1	J, U			EN0	DGQ		SNAP RING, Transmission
7	04799556	1	J, U			EN0	DGQ		HUB AND SHAFT, Reverse Clutch
8	04799556	1							PLATE, PKG 05013090AA, (NOT SERVICED)
9	04799556	1							DISC, Clutch, PKG 05013090AA, (NOT SERVICED)
10	04799121	1	J, U			EN0	DGQ		PLATE, Transmission Clutch Reaction
11	04799121	1							SNAP RING, PKG 05013090AA, (NOT SERVICED)



LIBERTY (KJ)

SERIES LINE
P = Limited J = LHD (4WD)
H = Sport U = RHD (4WD)
M = Renegade T = LHD (2WD)

BODY
74 = 4 Door (104.3 WB)

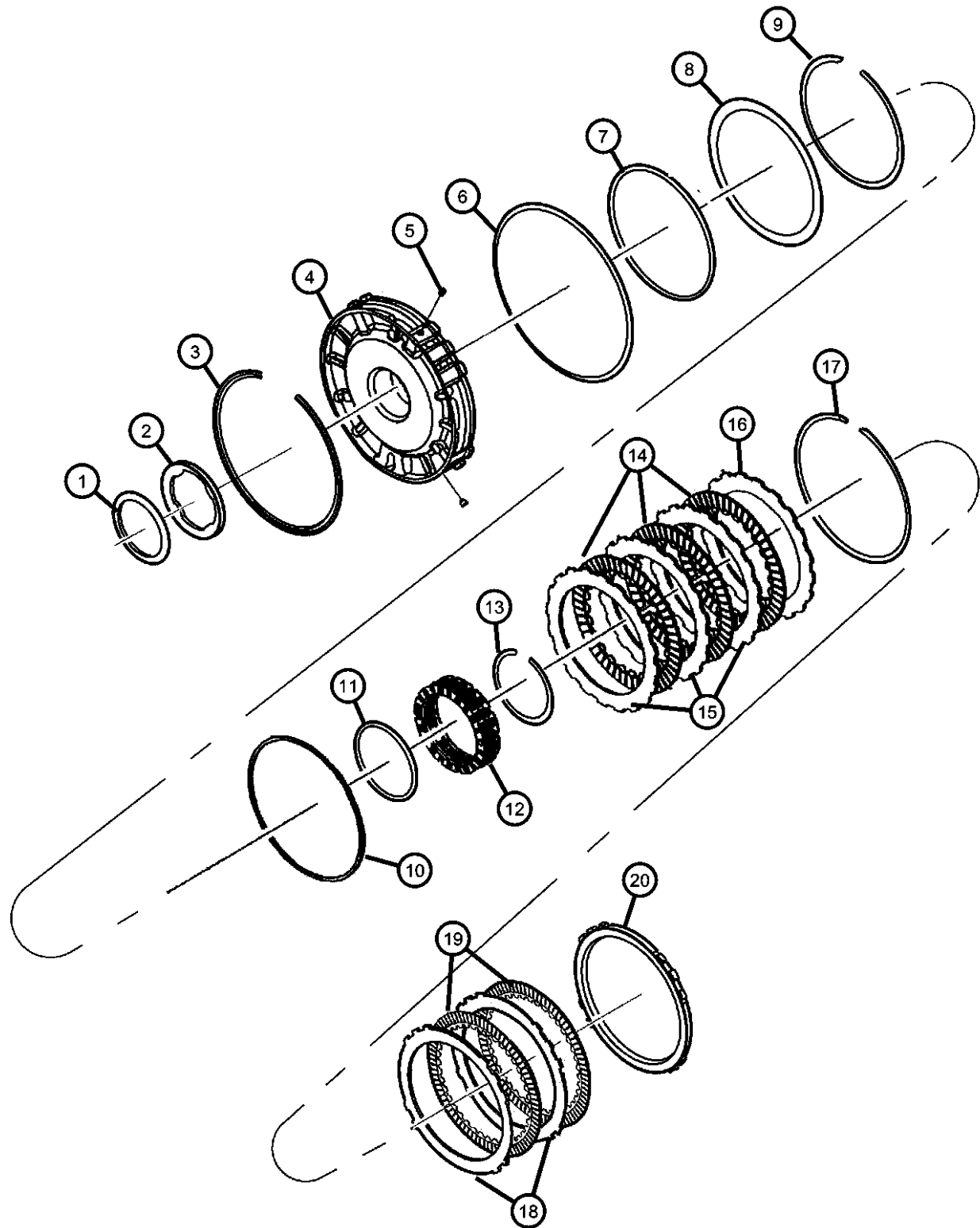
ENGINE
ED1 = Engine - 2.4L 4 Cyl DOHC 16v SMPI
EKG = Engine - 3.7L V6
ENJ = Engine -2.5L 4 Cyl 16V Turbo Diesel
ENR = Engine - 2.8L 4 Cyl Turbo Diesel
EN0 = 4Cyl Turbo Diesel
EKO = All 3.7L
ED0 = All 2.4L

TRANSMISSION
DDD = Transmission - 5-Speed HD Manual
DDK = Transmission - 5-Speed HD Manual
DG4 = Transmission-Multi-Speed Auto, 45RFE
DG6 = Transmission-4-Spd. Automatic, 42RLE
DGQ = Transmission-5-Spd Automatic 5-45RFE
DBB = All Manual Transmissions
DG0 = All Automatic Transmissions

AR = use ase required - = Non illustrated part

2004 KJ

2 / 4 Clutch Retainer
Figure 5-45RFE-440



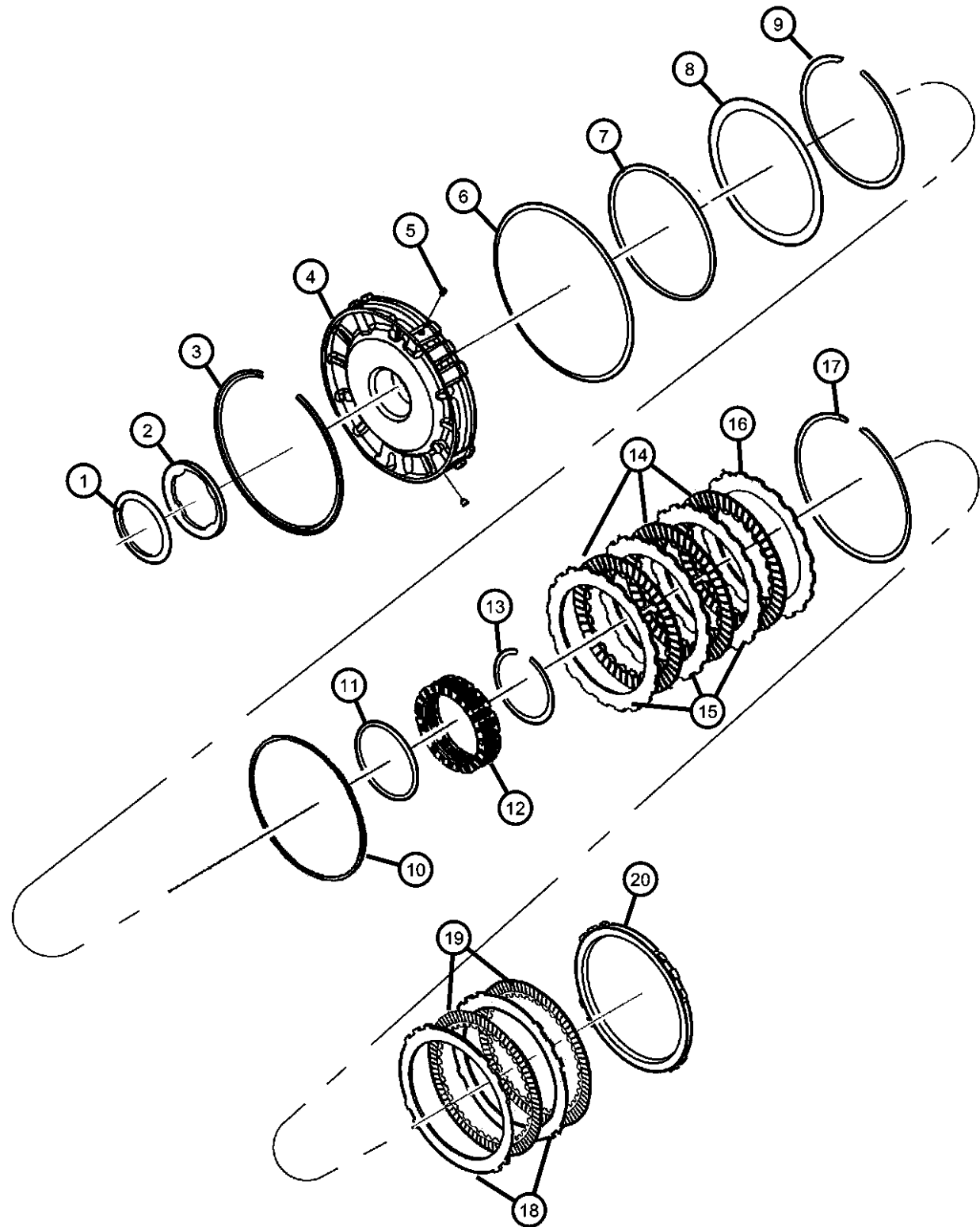
ITEM	PART NUMBER	QTY	LINE	SERIES	BODY	ENGINE	TRANS	TRIM	DESCRIPTION
1	04799936AB	1	J, U			EN0	DGQ		THRUST BEARING, Needle Roller
2	04799936AB	1							PLATE, Clutch Hub Thrust, PKG 05013093AB, (NOT SERVICED)
3	04799680AB	1	J, U			EN0	DGQ		SNAP RING, Transmission
4	04799498AB	1	J, U			EN0	DGQ		RETAINER, Transmission 2nd and 4th Clutch Piston
5	04799086	1	J, U			EN0	DGQ		BLEED ORIFICE, Transmission
6	04799174	1	J, U			EN0	DGQ		SNAP RING, Transmission
7	04799174	1							RING, PKG 05013093AB, (NOT SERVICED)
8	04799521	1	J, U			EN0	DGQ		SPRING, 2nd And 4th Clutch Piston
9	04799522AB	1	J, U			EN0	DGQ		SNAP RING, Transmission
10	04799522AB	1							RING, PKG 05013093AB, (NOT SERVICED)
11	04799522AB	1							RING, PKG 05013093AB, (NOT SERVICED)
12	04799527AB	1	J, U			EN0	DGQ		SPRING, 2nd And 4th Clutch Piston
13	04799680AB	1	J, U			EN0	DGQ		SNAP RING, Transmission
14	04799680AB	1							DISC, Clutch, PKG 05013087AA, (NOT SERVICED)
15	04799680AB	1							PLATE, Clutch Separator, PKG 05013087AA, (NOT SERVICED)
16	04799533	1	J, U			EN0	DGQ		PLATE, Transmission Clutch Reaction
17	04799533	1							SNAP RING, Transmission, PKG 05013087AA, (NOT SERVICED)
18	04799533	1							PLATE, PKG 05013087AA, (NOT SERVICED)
19	04799533	1							DISC, Clutch, PKG 05013087AA, (NOT SERVICED)
20	04799687AB	1	J, U			EN0	DGQ		PLATE, Transmission Clutch Reaction
-21	04799465	1	J, U			EN0	DGQ		CLUTCH, Overrunning

NOTE:
Sales Codes:
[DGQ]=5 Speed Automatic Transmission - [5-45RFE]
[EN0]=All 4/5 Cylinder Turbo Diesel Engines

LIBERTY (KJ)				
SERIES	LINE	BODY	ENGINE	TRANSMISSION
P = Limited	J = LHD (4WD)	74 = 4 Door (104.3 WB)	ED1 = Engine - 2.4L 4 Cyl DOHC 16v SMPI	DDD = Transmission - 5-Speed HD Manual
H = Sport	U = RHD (4WD)		EKG = Engine - 3.7L V6	DDK = Transmission - 5-Speed HD Manual
M = Renegade	T = LHD (2WD)		ENJ = Engine -2.5L 4 Cyl 16V Turbo Diesel	DG4 = Transmission-Multi-Speed Auto, 45RFE
			ENR = Engine - 2.8L 4 Cyl Turbo Diesel	DG6 = Transmission-4-Spd. Automatic, 42RLE
			EN0 = 4Cyl Turbo Diesel	DGQ = Transmission-5-Spd Automatic 5-45RFE
			EK0 = All 3.7L	DBB = All Manual Transmissions
			ED0 = All 2.4L	DG0 = All Automatic Transmissions

AR = use ase required - = Non illustrated part

2 / 4 Clutch Retainer
Figure 5-45RFE-440



ITEM	PART NUMBER	QTY	LINE	SERIES	BODY	ENGINE	TRANS	TRIM	DESCRIPTION
-22	04799457AB	1	J, U			EN0	DGQ		CLUTCH, L/R Clutch
-23	05013087AC	1	J, U			EN0	DGQ		CLUTCH PACKAGE, Automatic Transmission, 2/4
-24	04799863AA	1	J, U			EN0	DGQ		SNAP RING
-25	04799528AB	1	J, U			EN0	DGQ		SNAP RING, Transmission
-26	04799640	1	J, U			EN0	DGQ		SPRING, Low/Reverse Clutch Piston

LIBERTY (KJ)

SERIES

P = Limited
H = Sport
M = Renegade

LINE

J = LHD (4WD)
U = RHD (4WD)
T = LHD (2WD)

BODY

74 = 4 Door (104.3 WB)

ENGINE

ED1 = Engine - 2.4L 4 Cyl
DOHC 16v SMPI
EKG = Engine - 3.7L V6
ENJ = Engine -2.5L 4 Cyl 16V
Turbo Diesel
ENR = Engine - 2.8L 4 Cyl
Turbo Diesel
EN0 = 4Cyl Turbo Diesel
EKO = All 3.7L
ED0 = All 2.4L

TRANSMISSION

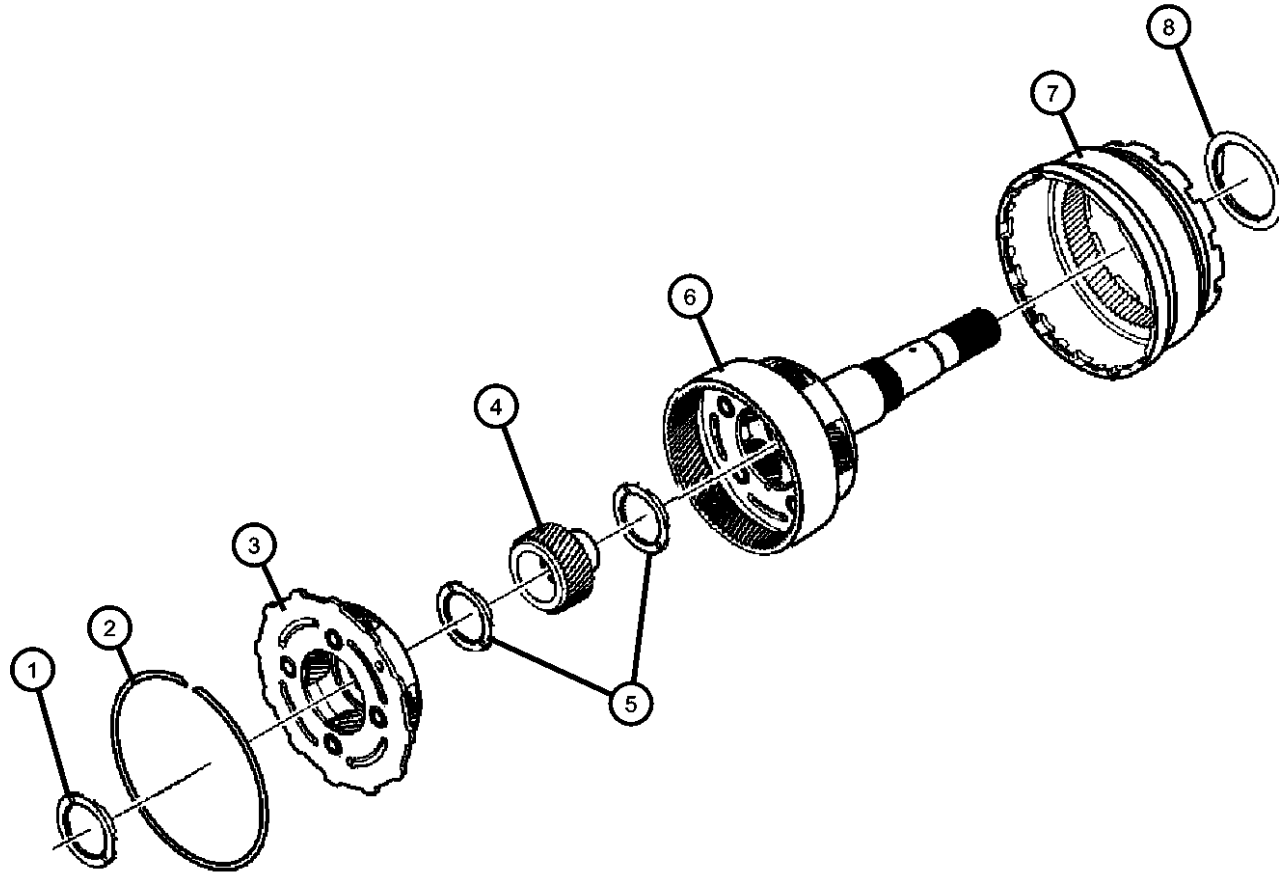
DDD = Transmission - 5-Speed HD
Manual
DDK = Transmission - 5-Speed HD
Manual
DG4 = Transmission-Multi-Speed
Auto, 45RFE
DG6 = Transmission-4-Spd.
Automatic, 42RLE
DGQ = Transmission-5-Spd Automatic
5-45RFE
DBB = All Manual Transmissions
DG0 = All Automatic Transmissions

AR = use ase required - = Non illustrated part

2004 KJ

**Input / Reverse Planetary
Figure 5-45RFE-450**

ITEM	PART NUMBER	QTY	LINE	SERIES	BODY	ENGINE	TRANS	TRIM	DESCRIPTION
NOTE: Sales Codes: [DGQ]=5 Speed Automatic Transmission - [5-45RFE] [EN0]=All 4/5 Cylinder Turbo Diesel Engines									
1	04799469	AR	J, U			EN0	DGQ		THRUST BEARING, Needle Roller
2	04799247	1	J, U			EN0	DGQ		SNAP RING
3	04799503AD	1	J, U			EN0	DGQ		CARRIER, Reverse Complete
4	04799586AB	1	J, U			EN0	DGQ		GEAR, Input Sun
5	52119464AA	1	J, U			EN0	DGQ		THRUST BEARING, Needle Roller
6	04799500AE	1	J, U			EN0	DGQ		CARRIER, Input Complete
7	04799501	1	J, U			EN0	DGQ		GEAR, Annulus
8	04799459	1	J, U			EN0	DGQ		THRUST BEARING, Needle Roller



LIBERTY (KJ)

SERIES	LINE
P = Limited	J = LHD (4WD)
H = Sport	U = RHD (4WD)
M = Renegade	T = LHD (2WD)

BODY
74 = 4 Door (104.3 WB)

ENGINE
ED1 = Engine - 2.4L 4 Cyl
DOHC 16v SMPI
EKG = Engine - 3.7L V6
ENJ = Engine -2.5L 4 Cyl 16V
Turbo Diesel
ENR = Engine - 2.8L 4 Cyl
Turbo Diesel
EN0 = 4Cyl Turbo Diesel
EKO = All 3.7L
EDO = All 2.4L

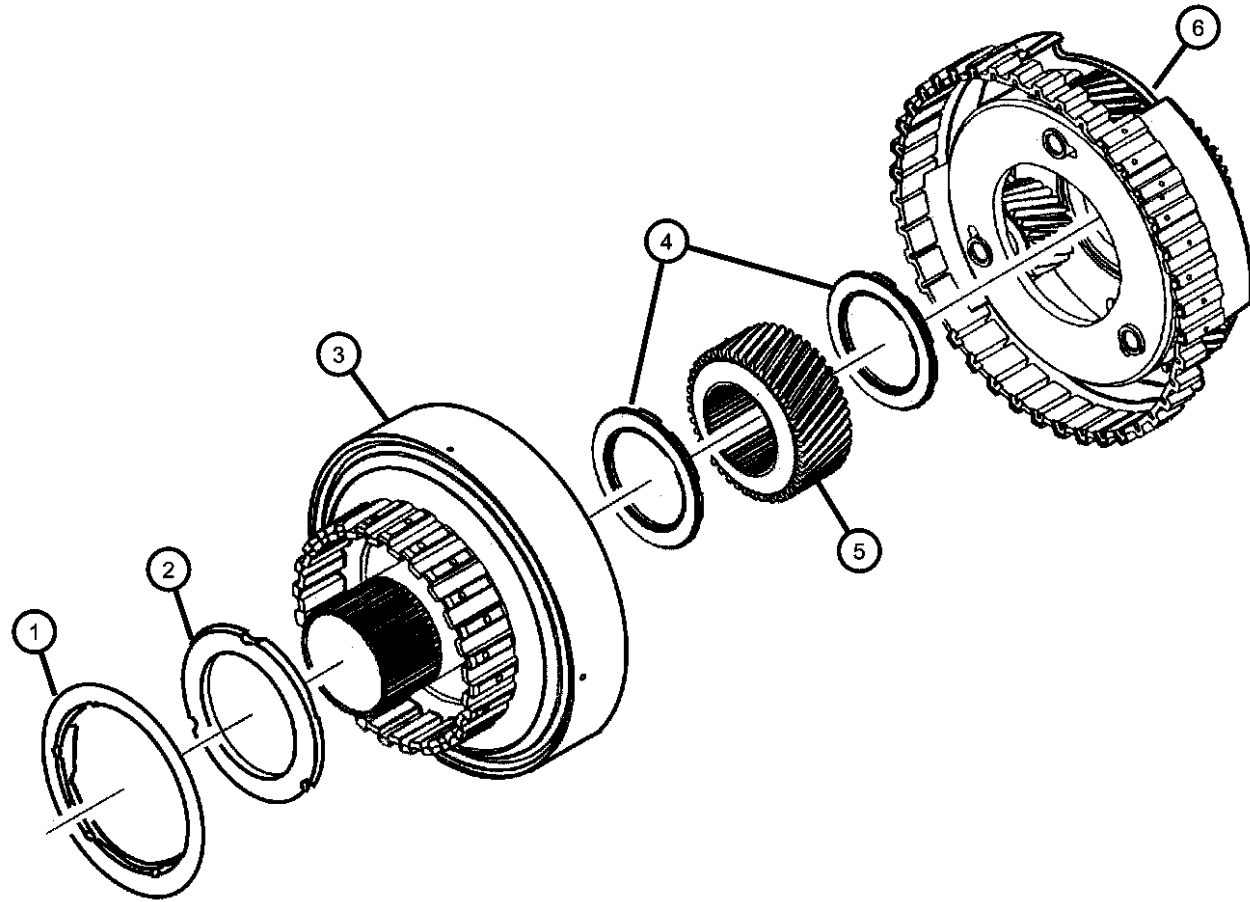
TRANSMISSION
DDD = Transmission - 5-Speed HD
Manual
DDK = Transmission - 5-Speed HD
Manual
DG4 = Transmission-Multi-Speed
Auto, 45RFE
DG6 = Transmission-4-Spd.
Automatic, 42RLE
DGQ = Transmission-5-Spd Automatic
5-45RFE
DBB = All Manual Transmissions
DG0 = All Automatic Transmissions

AR = use ase required - = Non illustrated part

2004 KJ

**Reaction Annulus / Sun Gear
Figure 5-45RFE-460**

ITEM	PART NUMBER	QTY	LINE	SERIES	BODY	ENGINE	TRANS	TRIM	DESCRIPTION
NOTE: Sales Codes: [DGQ]=5 Speed Automatic Transmission - [5-45RFE] [EN0]=All 4/5 Cylinder Turbo Diesel Engines									
1	04799459	1	J, U			EN0	DGQ		THRUST BEARING, Needle Roller, Retainer To I-Carrier, Right & Left
2	04799459	1							THRUST WASHER, Planetary Carrier, PKG 05013092AA, (NOT SERVICED)
3	04799604	1	J, U			EN0	DGQ		GEAR, Annulus
4	04799469	1	J, U			EN0	DGQ		THRUST BEARING, Needle Roller
5	04799602	1	J, U			EN0	DGQ		GEAR, Reaction Sun
6	04799619AB	1	J, U			EN0	DGQ		CARRIER, Reaction Complete



LIBERTY (KJ)

SERIES LINE
P = Limited J = LHD (4WD)
H = Sport U = RHD (4WD)
M = Renegade T = LHD (2WD)

BODY
74 = 4 Door (104.3 WB)

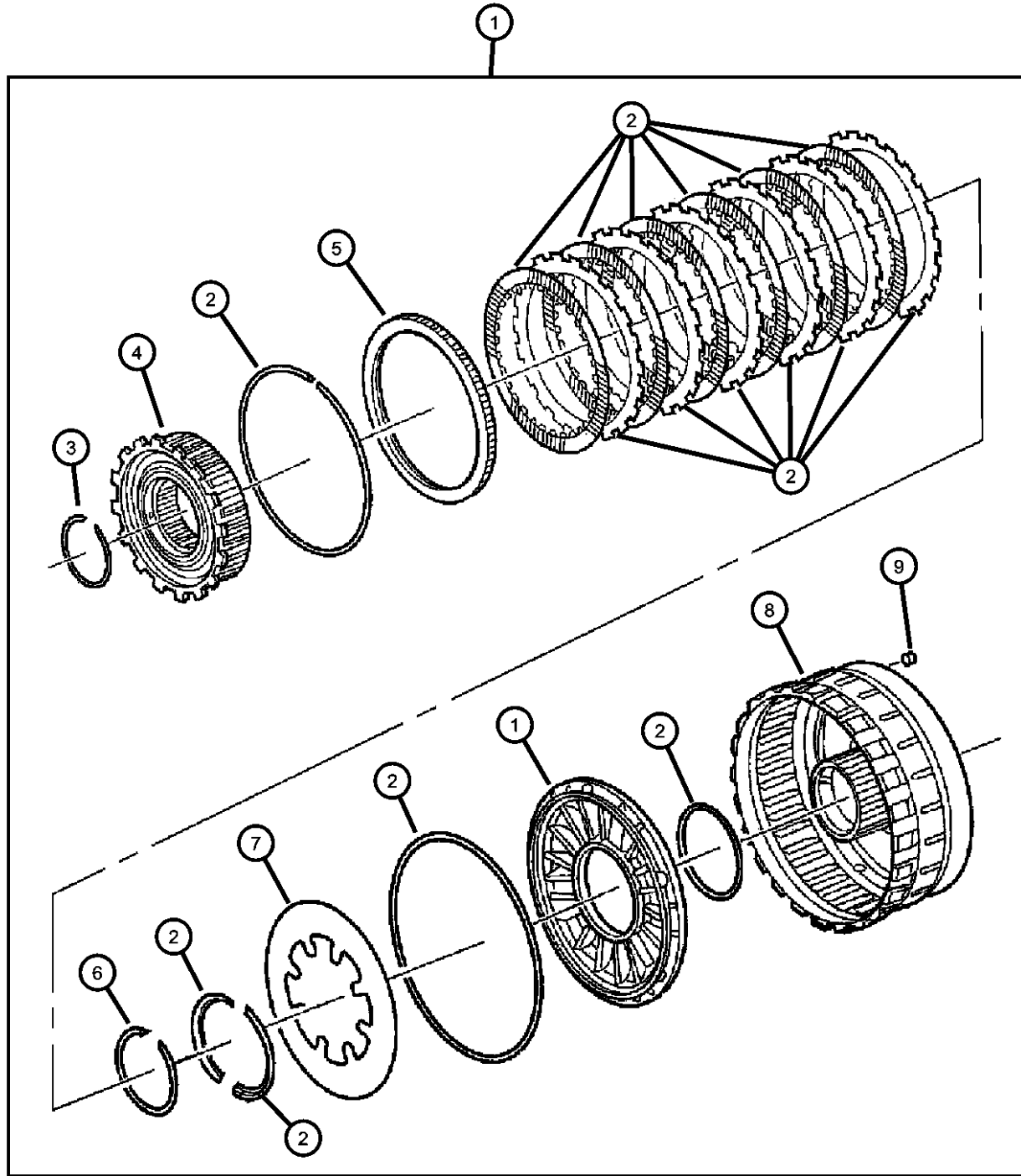
ENGINE
ED1 = Engine - 2.4L 4 Cyl DOHC 16v SMPI
EKG = Engine - 3.7L V6
ENJ = Engine -2.5L 4 Cyl 16V Turbo Diesel
ENR = Engine - 2.8L 4 Cyl Turbo Diesel
EN0 = 4Cyl Turbo Diesel
EKO = All 3.7L
ED0 = All 2.4L

TRANSMISSION
DDD = Transmission - 5-Speed HD Manual
DDK = Transmission - 5-Speed HD Manual
DG4 = Transmission-Multi-Speed Auto, 45RFE
DG6 = Transmission-4-Spd. Automatic, 42RLE
DGQ = Transmission-5-Spd Automatic 5-45RFE
DBB = All Manual Transmissions
DG0 = All Automatic Transmissions

AR = use ase required - = Non illustrated part

2004 KJ

Low / Reverse Clutch
Figure 5-45RFE-470



ITEM	PART NUMBER	QTY	LINE	SERIES	BODY	ENGINE	TRANS	TRIM	DESCRIPTION
------	-------------	-----	------	--------	------	--------	-------	------	-------------

NOTE:

Sales Codes:

[DGQ]=5 Speed Automatic Transmission - [5-45RFE]

[EN0]=All 4/5 Cylinder Turbo Diesel Engines

1	04799457AB	1	J, U			EN0	DGQ		CLUTCH, L/R Clutch
2	05073003AA	1	J, U			EN0	DGQ		CLUTCH PACKAGE, Automatic Transmission, Low/Reverse
3	04799863AA	1	J, U			EN0	DGQ		SNAP RING
4	04799465	1	J, U			EN0	DGQ		CLUTCH, Overrunning
5	04799667	1	J, U			EN0	DGQ		PLATE, Transmission Clutch Reaction
6	04799863AA	1	J, U			EN0	DGQ		SNAP RING
7	05179008AA	1	J, U			EN0	DGQ		CLUTCH PACKAGE, Automatic Transmission, Low/Reverse
8	05013027AA	1	J, U			EN0	DGQ		RETAINER, Clutch
9	04799086	1	J, U			EN0	DGQ		BLEED ORIFICE, Transmission
-10	04799466	1	J, U			EN0	DGQ		SNAP RING, Transmission, L / R Retainer To Case

LIBERTY (KJ)

SERIES

P = Limited

H = Sport

M = Renegade

LINE

J = LHD (4WD)

U = RHD (4WD)

T = LHD (2WD)

BODY

74 = 4 Door (104.3 WB)

ENGINE

ED1 = Engine - 2.4L 4 Cyl

DOHC 16v SMPI

EKG = Engine - 3.7L V6

ENJ = Engine -2.5L 4 Cyl 16V

Turbo Diesel

ENR = Engine - 2.8L 4 Cyl

Turbo Diesel

EN0 = 4Cyl Turbo Diesel

EK0 = All 3.7L

ED0 = All 2.4L

TRANSMISSION

DDD = Transmission - 5-Speed HD Manual

DDK = Transmission - 5-Speed HD Manual

DG4 = Transmission-Multi-Speed

Auto, 45RFE

DG6 = Transmission-4-Spd.

Automatic, 42RLE

DGQ = Transmission-5-Spd Automatic

5-45RFE

DBB = All Manual Transmissions

DG0 = All Automatic Transmissions

AR = use ase required - = Non illustrated part

2004 KJ

Valve Body
Figure 5-45RFE-710

ITEM	PART NUMBER	QTY	LINE	SERIES	BODY	ENGINE	TRANS	TRIM	DESCRIPTION
------	-------------	-----	------	--------	------	--------	-------	------	-------------

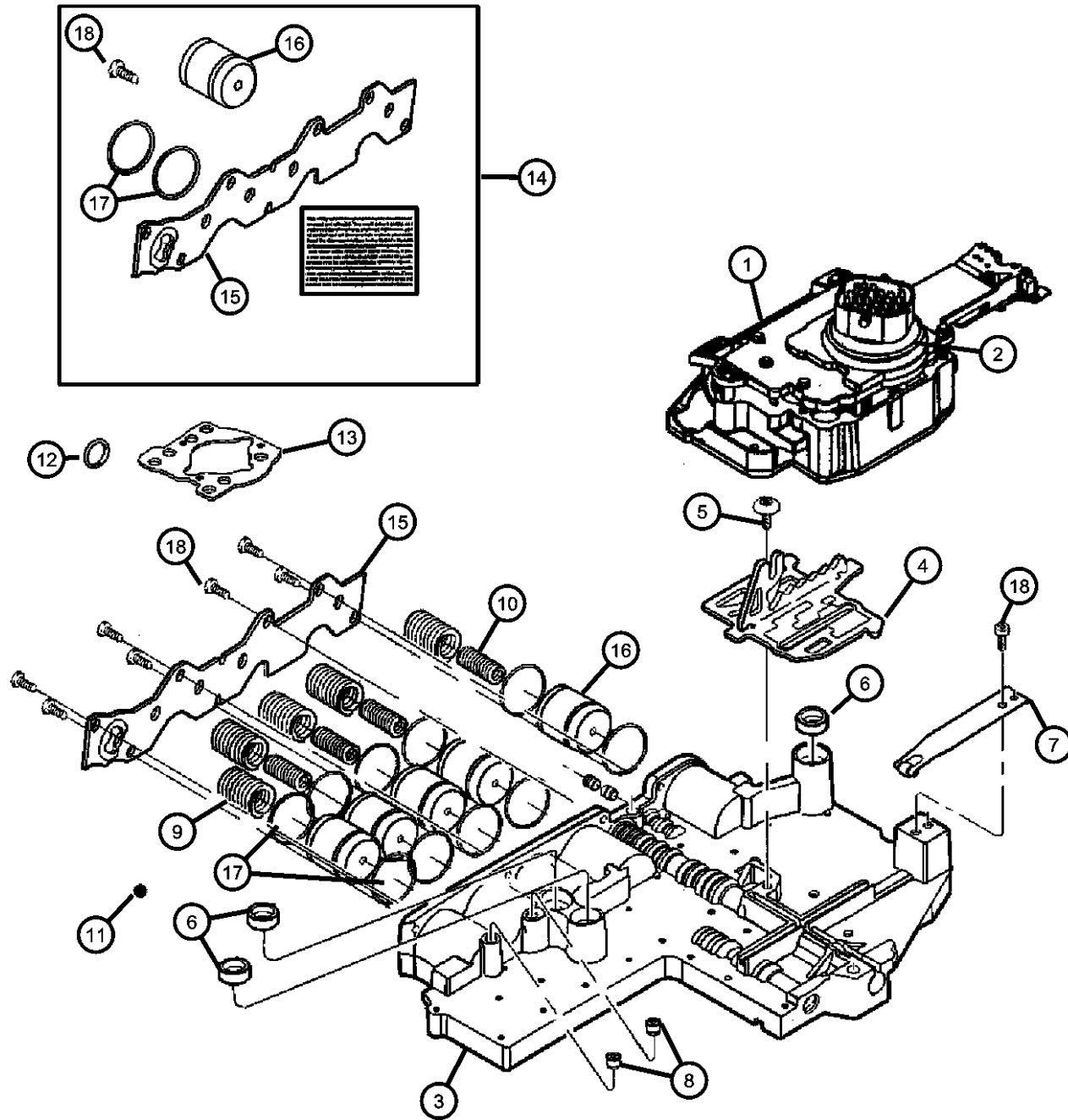
NOTE:

Sales Codes:

[DGQ]=5 Speed Automatic Transmission - [5-45RFE]

[EN0]=All 4/5 Cylinder Turbo Diesel Engines

1	04799934AD	1	J, U			EN0	DGQ		SOLENOID, Transmission
2	04799934AD	1							SEAL, Manual Valve Position Sensor, Serviced With # 1, (NOT SERVICED)
3	05080732AA	1	J, U			EN0	DGQ		VALVE BODY, Transfer Plate and Valve
4	04799654AC	1	J, U			EN0	DGQ		PLATE, Manual Valve Cam
5	06501710	1	J, U			EN0	DGQ		SCREW, Shoulder/Truss, M5x.8x12.5
6	04799778	3	J, U			EN0	DGQ		SEAL, Clutch Feed
7	52119501AA	1	J, U			EN0	DGQ		DETENT, Valve Body
8	04799086	1	J, U			EN0	DGQ		BLEED ORIFICE, Transmission
9	04471880	5	J, U			EN0	DGQ		SPRING, Accumulator
10	04567575	4	J, U			EN0	DGQ		SPRING, Accumulator
11	04446602	7	J, U			EN0	DGQ		BALL, Check
12	06505335AA	1	J, U			EN0	DGQ		O RING, Control Valve
13	04799986AA	1	J, U			EN0	DGQ		SEAL, Insulator
14	05174633AA	1	J, U			EN0	DGQ		ACCUMULATOR KIT, Accumulator Cover
15	04799598AB	1	J, U			EN0	DGQ		COVER, Accumulator
16	04446620AC	5	J, U			EN0	DGQ		PISTON, Accumulator
17	04446544	10	J, U			EN0	DGQ		SEAL, Accumulator
18	06503232	7	J, U			EN0	DGQ		SCREW, Pan Head, M5 x 0.8 x 12.60



LIBERTY (KJ)

SERIES

P = Limited

H = Sport

M = Renegade

LINE

J = LHD (4WD)

U = RHD (4WD)

T = LHD (2WD)

BODY

74 = 4 Door (104.3 WB)

ENGINE

ED1 = Engine - 2.4L 4 Cyl

DOHC 16v SMPI

EKG = Engine - 3.7L V6

ENJ = Engine -2.5L 4 Cyl 16V

Turbo Diesel

ENR = Engine - 2.8L 4 Cyl

Turbo Diesel

EN0 = 4Cyl Turbo Diesel

EK0 = All 3.7L

ED0 = All 2.4L

TRANSMISSION

DDD = Transmission - 5-Speed HD Manual

DDK = Transmission - 5-Speed HD Manual

DG4 = Transmission-Multi-Speed

Auto, 45RFE

DG6 = Transmission-4-Spd.

Automatic, 42RLE

DGQ = Transmission-5-Spd Automatic

5-45RFE

DBB = All Manual Transmissions

DG0 = All Automatic Transmissions

AR = use ase required - = Non illustrated part

2004 KJ

**Parking Sprag
Figure 5-45RFE-730**

ITEM	PART NUMBER	QTY	LINE	SERIES	BODY	ENGINE	TRANS	TRIM	DESCRIPTION
------	-------------	-----	------	--------	------	--------	-------	------	-------------

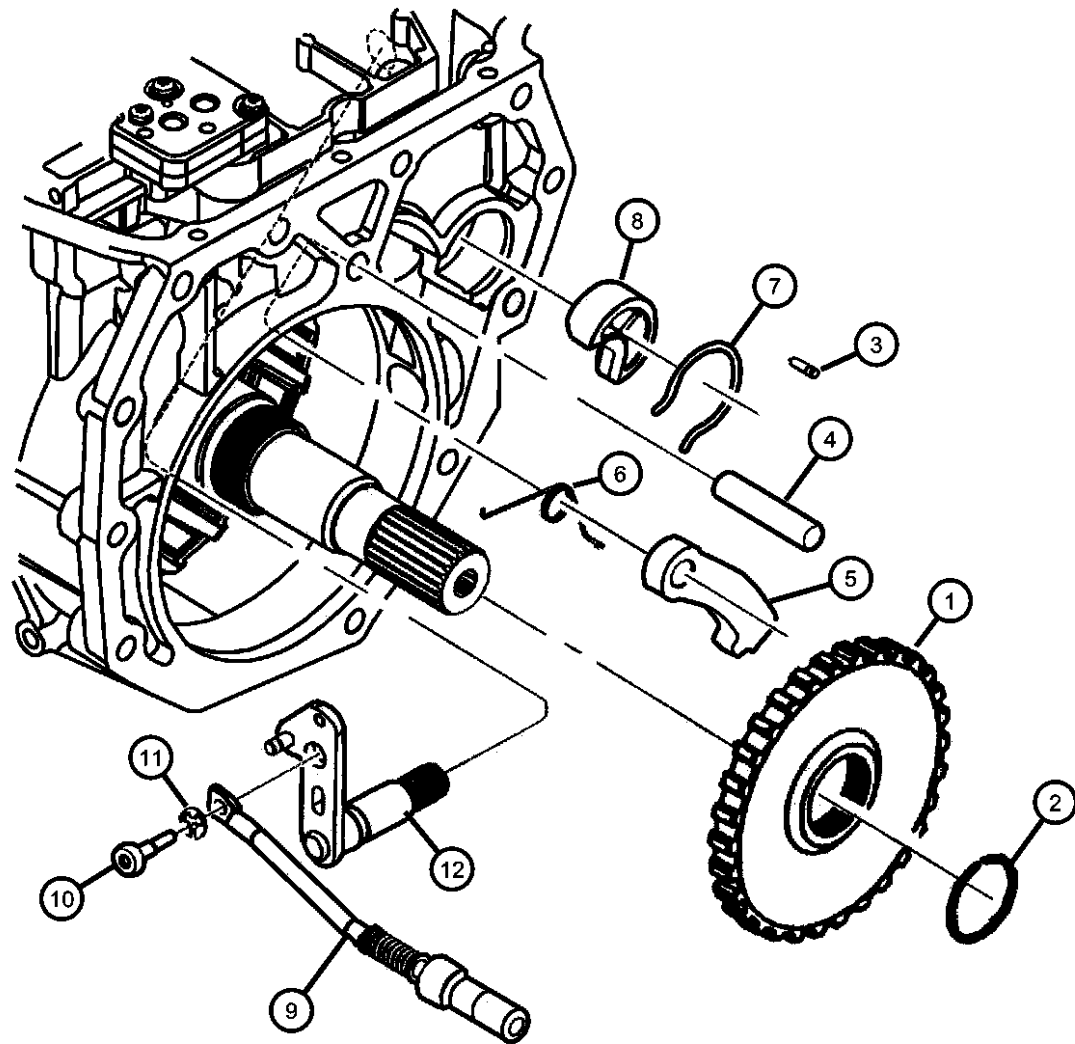
NOTE:

Sales Codes:

[DGQ]=5 Speed Automatic Transmission - [5-45RFE]

[EN0]=All 4/5 Cylinder Turbo Diesel Engines

1	04799493AB	1	J, U			EN0	DGQ		SPRAG, Transmission Parking
2	04799704	1	J, U			EN0	DGQ		SNAP RING, Transmission
3	00456636	1	J, U			EN0	DGQ		PIN
4	04799450	1	J, U			EN0	DGQ		SHAFT, Parking Pawl
5	04799744AD	1	J, U			EN0	DGQ		PAWL, Parking Sprag
6	04799451	1	J, U			EN0	DGQ		SPRING, Torsion
7	04799313	1	J, U			EN0	DGQ		SNAP RING
8	04799774	1	J, U			EN0	DGQ		GUIDE, Parking Sprag Pawl
9	04799611AB	1	J, U			EN0	DGQ		ROD, Parking Sprag
10	06504548	1	J, U			EN0	DGQ		SCREW, M6x1x30
11	06035256	1	J, U			EN0	DGQ		SNAP RING, Rod
12	04799453	1	J, U			EN0	DGQ		LEVER, Shift Shaft



LIBERTY (KJ)

SERIES

P = Limited
H = Sport
M = Renegade

LINE

J = LHD (4WD)
U = RHD (4WD)
T = LHD (2WD)

BODY

74 = 4 Door (104.3 WB)

ENGINE

ED1 = Engine - 2.4L 4 Cyl
DOHC 16v SMPI
EKG = Engine - 3.7L V6
ENJ = Engine -2.5L 4 Cyl 16V
Turbo Diesel
ENR = Engine - 2.8L 4 Cyl
Turbo Diesel
EN0 = 4Cyl Turbo Diesel
EKO = All 3.7L
ED0 = All 2.4L

TRANSMISSION

DDD = Transmission - 5-Speed HD
Manual
DDK = Transmission - 5-Speed HD
Manual
DG4 = Transmission-Multi-Speed
Auto, 45RFE
DG6 = Transmission-4-Spd.
Automatic, 42RLE
DGQ = Transmission-5-Spd Automatic
5-45RFE
DBB = All Manual Transmissions
DG0 = All Automatic Transmissions

AR = use ase required - = Non illustrated part

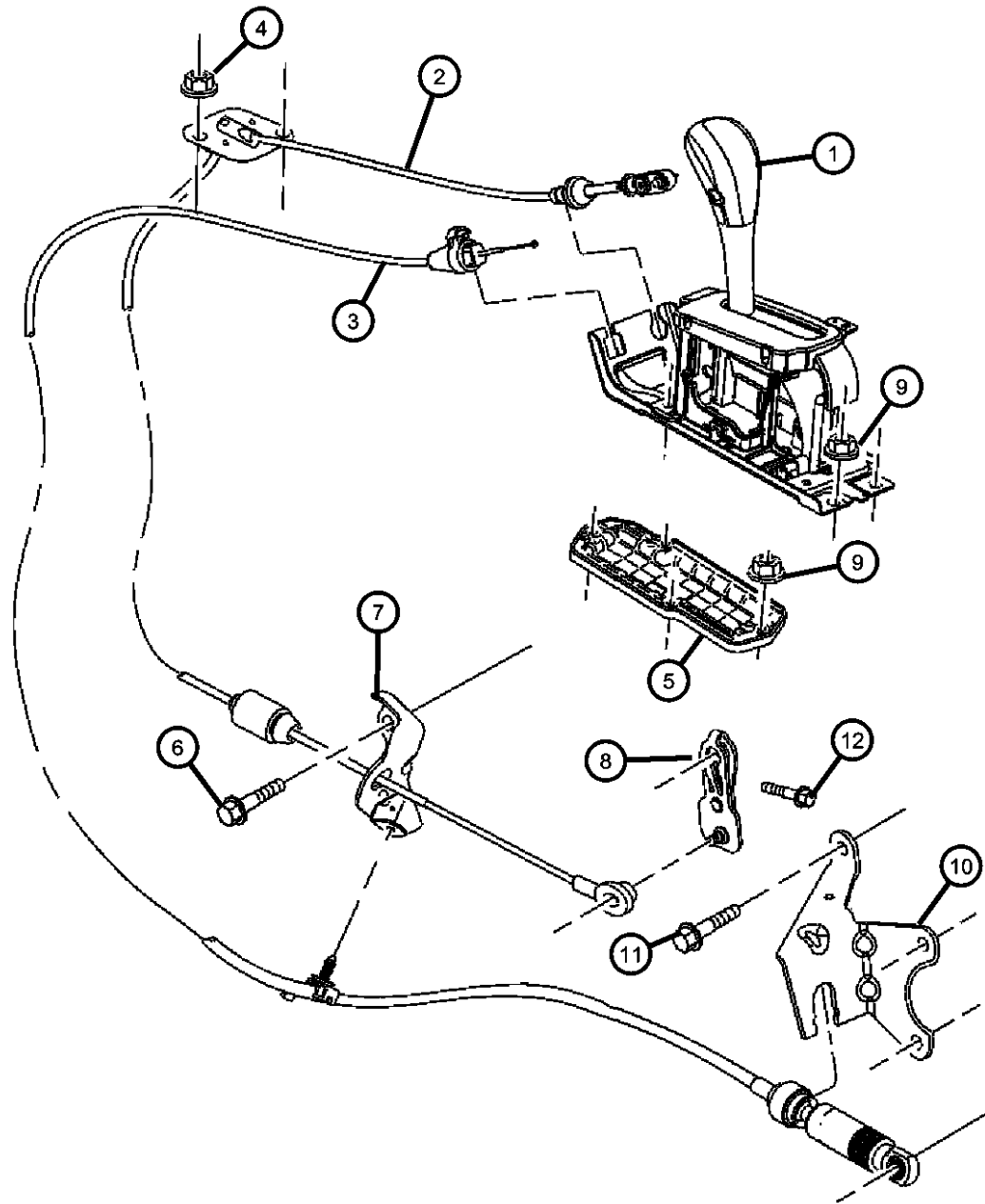
2004 KJ

Gearshift Controls
Figure 5-45RFE-1210

ITEM	PART NUMBER	QTY	LINE	SERIES	BODY	ENGINE	TRANS	TRIM	DESCRIPTION
------	-------------	-----	------	--------	------	--------	-------	------	-------------

NOTE: Sales Codes
 [DG0] = All Automatic Transmissions
 [DG4]= Multi Speed Automatic Transmission 45RFE
 [DGQ]=5 Speed Automatic Transmission 45RFE
 [EK0] = All 3.7L 6 Cylinder Gas Engines

1	52104312AG	1	J, T				DG0		HOUSING AND LEVER, Shifter
2	52104320AA	1					DGQ		CABLE, Gearshift Control
3	52104319AC	1					DG0		CABLE, Gearshift Lock, [Park Interlock]
4	06100047	2							NUT AND WASHER, Hex Nut-Coned Washer, M6 x 1.00
5	52104321AA	1	T						COVER, Transfer Case Lever Hole
6	06101758	2					DGQ		SCREW, Hex Head, M8x1.25x20
7	52104371AC	1					DGQ		BRACKET, Shift Cable
8	52104177AB	1					DGQ		LEVER, Manual Control
9	34201358	4							NUT AND WASHER, Hex Nut-Sealing Washer, M6 x 1.00
10	52104389AB	1	J, U				DGQ		BRACKET, Shifter
11	06101752	3	J, U				DG0		SCREW AND WASHER, Hex Head, M10x1.5x28
12	06101978	1					DGQ		SCREW AND WASHER, Hex Head, M8-1.25x40



LIBERTY (KJ)

SERIES LINE
 P = Limited J = LHD (4WD)
 H = Sport U = RHD (4WD)
 M = Renegade T = LHD (2WD)

BODY
 74 = 4 Door (104.3 WB)

ENGINE
 ED1 = Engine - 2.4L 4 Cyl DOHC 16v SMPI
 EKG = Engine - 3.7L V6
 ENJ = Engine -2.5L 4 Cyl 16V Turbo Diesel
 ENR = Engine - 2.8L 4 Cyl Turbo Diesel
 EN0 = 4Cyl Turbo Diesel
 EK0 = All 3.7L
 ED0 = All 2.4L

TRANSMISSION
 DDD = Transmission - 5-Speed HD Manual
 DDK = Transmission - 5-Speed HD Manual
 DG4 = Transmission-Multi-Speed Auto, 45RFE
 DG6 = Transmission-4-Spd. Automatic, 42RLE
 DGQ = Transmission-5-Spd Automatic 5-45RFE
 DBB = All Manual Transmissions
 DG0 = All Automatic Transmissions

AR = use ase required - = Non illustrated part

2004 KJ

L / R Clutch
Figure 5-45RFE-1310

LR CLUTCH PACKAGE 05013091aa

	D-ring, external (L/R piston outer)
	D-ring, internal (L/R piston inner)
(6)	Plate, clutch separator (1.74mm thk)
(6)	Disc assy, clutch (L/R)
	Snap ring, flat (1.5/1.6 thk)
	Snap ring, flat (2.03/2.13 thk)
	Snap ring, flat (2.54/2.68 thk)
(2)	Retainer, c-clip

①

ITEM	PART NUMBER	QTY	LINE	SERIES	BODY	ENGINE	TRANS	TRIM	DESCRIPTION
------	-------------	-----	------	--------	------	--------	-------	------	-------------

NOTE:

Sales Codes:

[DGQ]=5 Speed Automatic Transmission - [5-45RFE]

[EN0]=All 4/5 Cylinder Turbo Diesel Engines

1	05073003AA	1	J, U			EN0	DGQ		CLUTCH PACKAGE, Automatic Transmission, Low/Reverse
---	------------	---	------	--	--	-----	-----	--	---

LIBERTY (KJ)

SERIES

P = Limited

H = Sport

M = Renegade

LINE

J = LHD (4WD)

U = RHD (4WD)

T = LHD (2WD)

BODY

74 = 4 Door (104.3 WB)

ENGINE

ED1 = Engine - 2.4L 4 Cyl

DOHC 16v SMPI

EKG = Engine - 3.7L V6

ENJ = Engine -2.5L 4 Cyl 16V

Turbo Diesel

ENR = Engine - 2.8L 4 Cyl

Turbo Diesel

EN0 = 4Cyl Turbo Diesel

EK0 = All 3.7L

ED0 = All 2.4L

TRANSMISSION

DDD = Transmission - 5-Speed HD Manual

DDK = Transmission - 5-Speed HD Manual

DG4 = Transmission-Multi-Speed

Auto, 45RFE

DG6 = Transmission-4-Spd.

Automatic, 42RLE

DGQ = Transmission-5-Spd Automatic

5-45RFE

DBB = All Manual Transmissions

DG0 = All Automatic Transmissions

AR = use ase required - = Non illustrated part

2004 KJ

Input Clutch Plate
Figure 5-45RFE-1320

ITEM	PART NUMBER	QTY	LINE	SERIES	BODY	ENGINE	TRANS	TRIM	DESCRIPTION
------	-------------	-----	------	--------	------	--------	-------	------	-------------

SELECTIVE THRUST PLATES **05013093aa**
INPUT CLUTCH THRUST PLATE PKG

①

Thrust plate, input clutc 1.52 / 1.61
Thrust plate, input clutc 1.66 / 1.75
Thrust plate, input clutc 1.80 / 1.89
Thrust plate, input clutc 1.94 / 2.03
Thrust plate, input clutc 2.08 / 2.17
Thrust plate, input clutc 2.22 / 2.31
Thrust plate, input clutc 2.36 / 2.45
Thrust plate, input clutc 2.50 / 2.59
Thrust plate, input clutc 2.64 / 2.73
Thrust plate, input clutc 2.78 / 2.87
Thrust plate, input clutc 2.92 / 3.01
Thrust plate, input clutc 3.06 / 3.15
Thrust plate, input clutc 3.20 / 3.29
Thrust plate, input clutc 3.34 / 3.43
Thrust plate, input clutc 3.62 / 3.71

NOTE:

Sales Codes:

[DGQ]=5 Speed Automatic Transmission - [5-45RFE]

[EN0]=All 4/5 Cylinder Turbo Diesel Engines

1	05013093AA	1	J, U			EN0	DGQ		PLATE PACKAGE, Input Clutch Thrust
---	------------	---	------	--	--	-----	-----	--	------------------------------------

LIBERTY (KJ)

SERIES

P = Limited
H = Sport
M = Renegade

LINE

J = LHD (4WD)
U = RHD (4WD)
T = LHD (2WD)

BODY

74 = 4 Door (104.3 WB)

ENGINE

ED1 = Engine - 2.4L 4 Cyl
DOHC 16v SMPI
EKG = Engine - 3.7L V6
ENJ = Engine -2.5L 4 Cyl 16V
Turbo Diesel
ENR = Engine - 2.8L 4 Cyl
Turbo Diesel
EN0 = 4Cyl Turbo Diesel
EKO = All 3.7L
ED0 = All 2.4L

TRANSMISSION

DDD = Transmission - 5-Speed HD
Manual
DDK = Transmission - 5-Speed HD
Manual
DG4 = Transmission-Multi-Speed
Auto, 45RFE
DG6 = Transmission-4-Spd.
Automatic, 42RLE
DGQ = Transmission-5-Spd Automatic
5-45RFE
DBB = All Manual Transmissions
DG0 = All Automatic Transmissions

AR = use ase required - = Non illustrated part

2004 KJ

O / H
Figure 5-45RFE-1330

ITEM	PART NUMBER	QTY	LINE	SERIES	BODY	ENGINE	TRANS	TRIM	DESCRIPTION
------	-------------	-----	------	--------	------	--------	-------	------	-------------

NOTE:

Sales Codes:

[DGQ]=5 Speed Automatic Transmission - [5-45RFE]

[EN0]=All 4/5 Cylinder Turbo Diesel Engines

1 05014221AJ 1 J, U

EN0 DGQ

OVERHAUL PACKAGE,
Transmission

O/H seal/gasket package

05014221ac

1

	2&4 clutch package	
	Input clutch package	
	L/R clutch package	
	Sump filter & seal package	
	Cooler filter	
	fill tube sea	
	Frt pmp cover o-ring/seal assy	
	Rotating shaft seal,pmp hsg	
	Adapter seal, 4x4	
	Extension seal,4x2	
	Manual lever seal	
(2)	Speed sensor seal	
	Reaction supt ring seal	
	Rev O/D clutch filter	
(10)	Accumulator ring seal	
(3)	Valve body seal	
	Check valve o-ring	
	Solenoid insulator seal	
	T/C seal	

LIBERTY (KJ)

SERIES

P = Limited

H = Sport

M = Renegade

LINE

J = LHD (4WD)

U = RHD (4WD)

T = LHD (2WD)

BODY

74 = 4 Door (104.3 WB)

ENGINE

ED1 = Engine - 2.4L 4 Cyl

DOHC 16v SMPI

EKG = Engine - 3.7L V6

ENJ = Engine -2.5L 4 Cyl 16V

Turbo Diesel

ENR = Engine - 2.8L 4 Cyl

Turbo Diesel

EN0 = 4Cyl Turbo Diesel

EK0 = All 3.7L

ED0 = All 2.4L

TRANSMISSION

DDD = Transmission - 5-Speed HD Manual

DDK = Transmission - 5-Speed HD Manual

DG4 = Transmission-Multi-Speed

Auto, 45RFE

DG6 = Transmission-4-Spd.

Automatic, 42RLE

DGQ = Transmission-5-Spd Automatic

5-45RFE

DBB = All Manual Transmissions

DG0 = All Automatic Transmissions

AR = use ase required - = Non illustrated part

2004 KJ

Input Clutch
Figure 5-45RFE-1340

INPUT CLUTCH PACKAGE

05013090aa

1

	O-ring, large (2.62mm x 79.84 ID,gm)
	O-ring, small (2.62mm x 70.56 ID,red)
(2)	Seal, internal lip
(2)	Ring seal, I-shaft
	O-ring, piston inner (2.62mm x 93.54 ID)
(5)	Plate, clutch separator (1.74mm thk)
(4)	Disc assy, clutch (u/d clutch)
(4)	Disc assy, clutch (o/d clutch)
(3)	PLate, clutch separator (2.21mm thk, O/D)
(2)	Disc assy, clutch (rev clutch)
	Snap ring,tapered, internal butterfly end
	Snap ring, flat (1.5/1.6 thk)
	Snap ring, flat (1.80/1.90 thk)
	Snap ring, flat (2.15/2.25 thk)
	Piston & seal, underdrive
	Piston & seal, underdrive balance

ITEM	PART NUMBER	QTY	LINE	SERIES	BODY	ENGINE	TRANS	TRIM	DESCRIPTION
------	-------------	-----	------	--------	------	--------	-------	------	-------------

NOTE:

Sales Codes:

[DGQ]=5 Speed Automatic Transmission - [5-45RFE]

[EN0]=All 4/5 Cylinder Turbo Diesel Engines

1	05013090AC	1	J, U			EN0	DGQ		CLUTCH PACKAGE, Automatic Transmission, Input
---	------------	---	------	--	--	-----	-----	--	---

LIBERTY (KJ)

SERIES

P = Limited
H = Sport
M = Renegade

LINE

J = LHD (4WD)
U = RHD (4WD)
T = LHD (2WD)

BODY

74 = 4 Door (104.3 WB)

ENGINE

ED1 = Engine - 2.4L 4 Cyl
DOHC 16v SMPI
EKG = Engine - 3.7L V6
ENJ = Engine -2.5L 4 Cyl 16V
Turbo Diesel
ENR = Engine - 2.8L 4 Cyl
Turbo Diesel
EN0 = 4Cyl Turbo Diesel
EKO = All 3.7L
EDO = All 2.4L

TRANSMISSION

DDD = Transmission - 5-Speed HD
Manual
DDK = Transmission - 5-Speed HD
Manual
DG4 = Transmission-Multi-Speed
Auto, 45RFE
DG6 = Transmission-4-Spd.
Automatic, 42RLE
DGQ = Transmission-5-Spd Automatic
5-45RFE
DBB = All Manual Transmissions
DG0 = All Automatic Transmissions

AR = use ase required - = Non illustrated part

2004 KJ

Planetary Plate
Figure 5-45RFE-1350

ITEM	PART NUMBER	QTY	LINE	SERIES	BODY	ENGINE	TRANS	TRIM	DESCRIPTION
------	-------------	-----	------	--------	------	--------	-------	------	-------------

SELECTIVE THRUST PLATES

PLANETARY THRUST PLATE PKG 05013092aa

	Thrust plate, planetary	1.62 / 1.75
	Thrust plate, planetary	1.81 / 1.94
	Thrust plate, planetary	1.96 / 2.09
	Thrust plate, planetary	2.11 / 2.24
	Thrust plate, planetary	2.26 / 2.39
	Thrust plate, planetary	2.41 / 2.54
	Thrust plate, planetary	2.56 / 2.69
	Thrust plate, planetary	2.71 / 2.84
	Thrust plate, planetary	2.86 / 2.99
	Thrust plate, planetary	3.01 / 3.14
	Thrust plate, planetary	3.16 / 3.29
	Thrust plate, planetary	3.31 / 3.44
	Thrust plate, planetary	3.46 / 3.59
	Thrust plate, planetary	3.61 / 3.74
	Thrust plate, planetary	3.76 / 3.89
	Thrust plate, planetary	3.91 / 4.04
	Thrust plate, planetary	4.06 / 4.19
	Thrust plate, planetary	4.21 / 4.34
	Thrust plate, planetary	4.36 / 4.49

①

NOTE:

Sales Codes:

[DGQ]=5 Speed Automatic Transmission - [5-45RFE]

[EN0]=All 4/5 Cylinder Turbo Diesel Engines

1	05013092AA	1	J, U			EN0	DGQ		PLATE PACKAGE, Planetary Thrust
-2									PLATE, Clutch Hub Thrust, Input Clutch Plate
	04799830AB	AR	J, U			EN0	DGQ		[1.94/2.03]
	04799831AB	AR	J, U			EN0	DGQ		[2.08/2.17]
	04799832AB	AR	J, U			EN0	DGQ		[2.22/2.31]
	04799833AB	AR	J, U			EN0	DGQ		[2.36/2.45]
	04799834AB	AR	J, U			EN0	DGQ		[2.50/2.59]
	04799835AB	AR	J, U			EN0	DGQ		[2.64/2.73]
	04799836AB	AR	J, U			EN0	DGQ		[2.78/2.87]
	04799837AB	AR	J, U			EN0	DGQ		[2.92/3.01]
-3									PLATE, Planetary, Thrust Plate
	04799810AC	AR	J, U			EN0	DGQ		[2.26/2.39]
	04799811AC	AR	J, U			EN0	DGQ		[2.41/2.54]
	04799812AC	AR	J, U			EN0	DGQ		[2.56/2.69]
	04799813AC	AR	J, U			EN0	DGQ		[2.71/2.84]
	04799814AC	AR	J, U			EN0	DGQ		[2.86/2.99]
	04799816AC	AR	J, U			EN0	DGQ		[3.16/3.29]
	04799817AC	AR	J, U			EN0	DGQ		[3.31/3.44]
	04799818AC	AR	J, U			EN0	DGQ		[3.46/3.59]
	04799819AC	AR	J, U			EN0	DGQ		[3.61/3.74]
	04799843AC	AR	J, U			EN0	DGQ		[3.01/3.14]

LIBERTY (KJ)

SERIES

P = Limited
H = Sport
M = Renegade

LINE

J = LHD (4WD)
U = RHD (4WD)
T = LHD (2WD)

BODY

74 = 4 Door (104.3 WB)

ENGINE

ED1 = Engine - 2.4L 4 Cyl DOHC 16v SMPI
EKG = Engine - 3.7L V6
ENJ = Engine -2.5L 4 Cyl 16V Turbo Diesel
ENR = Engine - 2.8L 4 Cyl Turbo Diesel
EN0 = 4Cyl Turbo Diesel
EKO = All 3.7L
ED0 = All 2.4L

TRANSMISSION

DDD = Transmission - 5-Speed HD Manual
DDK = Transmission - 5-Speed HD Manual
DG4 = Transmission-Multi-Speed Auto, 45RFE
DG6 = Transmission-4-Spd. Automatic, 42RLE
DGQ = Transmission-5-Spd Automatic 5-45RFE
DBB = All Manual Transmissions
DG0 = All Automatic Transmissions

AR = use ase required - = Non illustrated part

2004 KJ

**2 & 4 Clutch
Figure 5-45RFE-1360**

ITEM	PART NUMBER	QTY	LINE	SERIES	BODY	ENGINE	TRANS	TRIM	DESCRIPTION
------	-------------	-----	------	--------	------	--------	-------	------	-------------

NOTE:

Sales Codes:

[DGQ]=5 Speed Automatic Transmission - [5-45RFE]

[EN0]=All 4/5 Cylinder Turbo Diesel Engines

1	05013087AC	1	J, U			EN0	DGQ		CLUTCH PACKAGE, Automatic Transmission, 2/4
---	------------	---	------	--	--	-----	-----	--	---

2&4 CLUTCH PACKAGE 05013087aa

(2)	Disc assy, clutch (2nd clutch)
(2)	Plate, clutch separator
	D-ring, external (2nd outer)
	D-ring, internal (2nd inner)
	D-ring, internal (4th outer)
	D-ring, internal (4th inner)
(3)	Plate, clutch separator (4th clutch)
(3)	Disc assy, clutch (4th clutch)
	Snap ring (4th, 1.74/1.84 thk)
	Snap ring (4th, 2.15/2.25 thk)
	Snap ring (4th, 2.56/2.66 thk)

LIBERTY (KJ)

SERIES

P = Limited

H = Sport

M = Renegade

LINE

J = LHD (4WD)

U = RHD (4WD)

T = LHD (2WD)

BODY

74 = 4 Door (104.3 WB)

ENGINE

ED1 = Engine - 2.4L 4 Cyl

DOHC 16v SMPI

EKG = Engine - 3.7L V6

ENJ = Engine -2.5L 4 Cyl 16V

Turbo Diesel

ENR = Engine - 2.8L 4 Cyl

Turbo Diesel

EN0 = 4Cyl Turbo Diesel

EK0 = All 3.7L

ED0 = All 2.4L

TRANSMISSION

DDD = Transmission - 5-Speed HD Manual

DDK = Transmission - 5-Speed HD Manual

DG4 = Transmission-Multi-Speed

Auto, 45RFE

DG6 = Transmission-4-Spd.

Automatic, 42RLE

DGQ = Transmission-5-Spd Automatic

5-45RFE

DBB = All Manual Transmissions

DG0 = All Automatic Transmissions

AR = use ase required - = Non illustrated part

2004 KJ

Group - 3550

Manual Transmission 5 Speed

Group - 3550 Manual Transmission 5 Speed

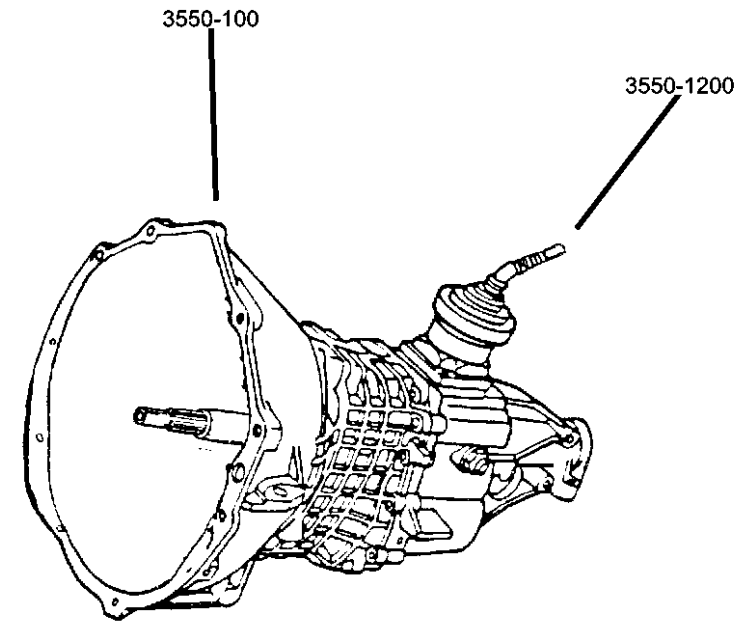


Illustration Title

Group-Fig. No.

Transmission Assembly

Transmission Assembly [DDD].....Fig. 3550 - 110

Case and Extension

Case and Extension [DDD].....Fig. 3550 - 210

Gear Train

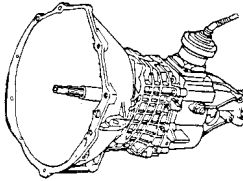
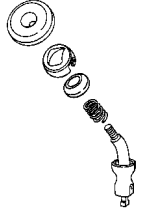
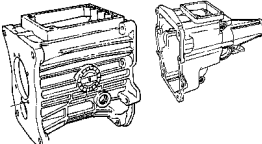
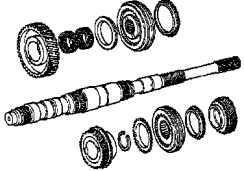
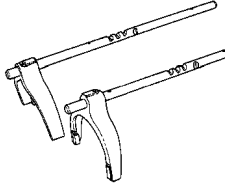
Gear Train [DDD].....Fig. 3550 - 410

Fork and Rails

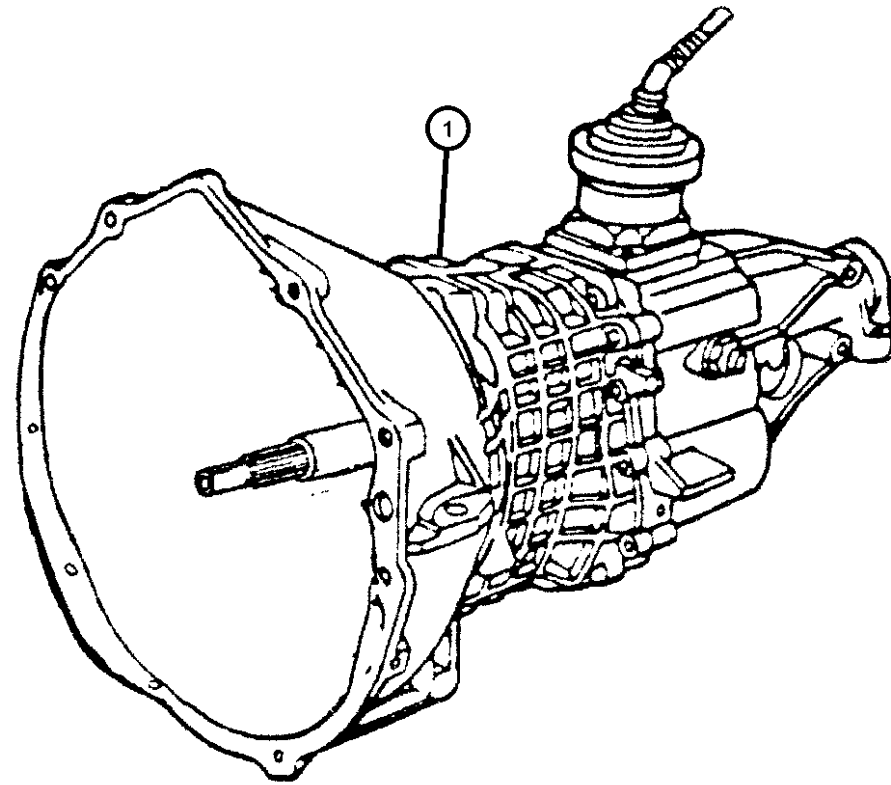
Fork and Rails [DDD]Fig. 3550 - 910

Gearshift Controls

Gearshift Controls [DDD] Fig. 3550 - 1210

<p>3550-100 Transmission Assembly</p> 	<p>3550-1200 Gearshift Controls</p> 	<p>3550-200 Case and Extension</p> 	<p>3550-400 Gear Train</p> 
<p>3550-900 Fork and Rails</p> 			

**Transmission Assembly [DDD]
Figure 3550-110**



ITEM	PART NUMBER	QTY	LINE	SERIES	BODY	ENGINE	TRANS	TRIM	DESCRIPTION
NOTE: Sales Codes [DDD] = 5 Speed Heavy Duty Manual Transmissions [EKG] = Magnum 3.7L V6 Engine [EN0] = All 4/5 Cylinder Turbo Diesel Engines									
1									TRANSMISSION, 5 Speed
	52104817AE 04874464	1	J			EKG	DDD		Mopar Manual Transmission Fluid
	52104818AE 04874464	1	T			EKG	DDD		Mopar Manual Transmission Fluid
	52104820AE 04874464	1	J, U			EN0	DDD		Mopar Manual Transmission Fluid

LIBERTY (KJ)

SERIES

P = Limited
H = Sport
M = Renegade

LINE

J = LHD (4WD)
U = RHD (4WD)
T = LHD (2WD)

BODY

74 = 4 Door (104.3 WB)

ENGINE

ED1 = Engine - 2.4L 4 Cyl
DOHC 16v SMPI
EKG = Engine - 3.7L V6
ENJ = Engine -2.5L 4 Cyl 16V
Turbo Diesel
ENR = Engine - 2.8L 4 Cyl
Turbo Diesel
EN0 = 4Cyl Turbo Diesel
EKO = All 3.7L
EDO = All 2.4L

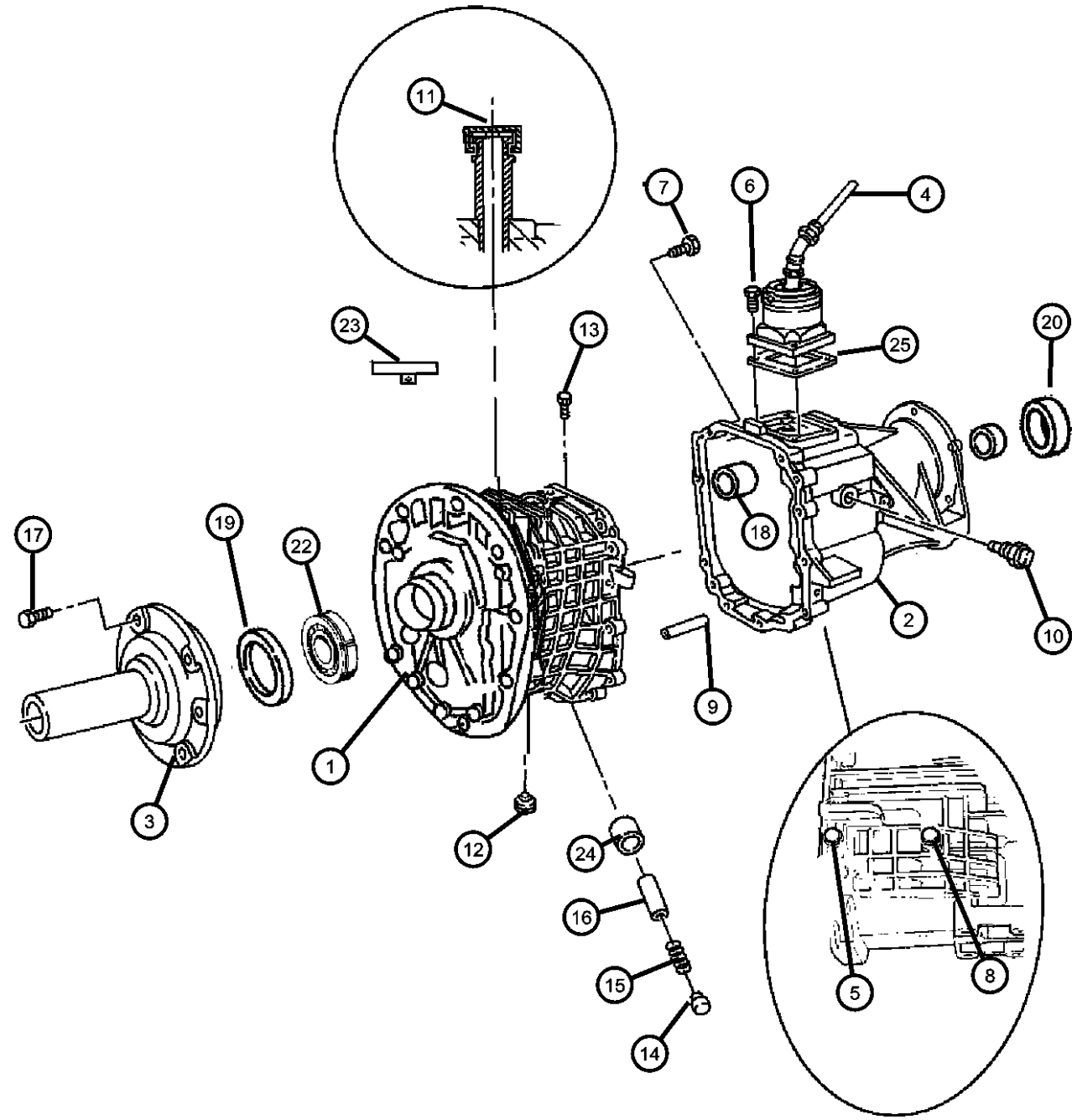
TRANSMISSION

DDD = Transmission - 5-Speed HD
Manual
DDK = Transmission - 5-Speed HD
Manual
DG4 = Transmission-Multi-Speed
Auto, 45RFE
DG6 = Transmission-4-Spd.
Automatic, 42RLE
DGQ = Transmission-5-Spd Automatic
5-45RFE
DBB = All Manual Transmissions
DG0 = All Automatic Transmissions

AR = use ase required - = Non illustrated part

2004 KJ

Case and Extension [DDD]
Figure 3550-210



ITEM	PART NUMBER	QTY	LINE	SERIES	BODY	ENGINE	TRANS	TRIM	DESCRIPTION
------	-------------	-----	------	--------	------	--------	-------	------	-------------

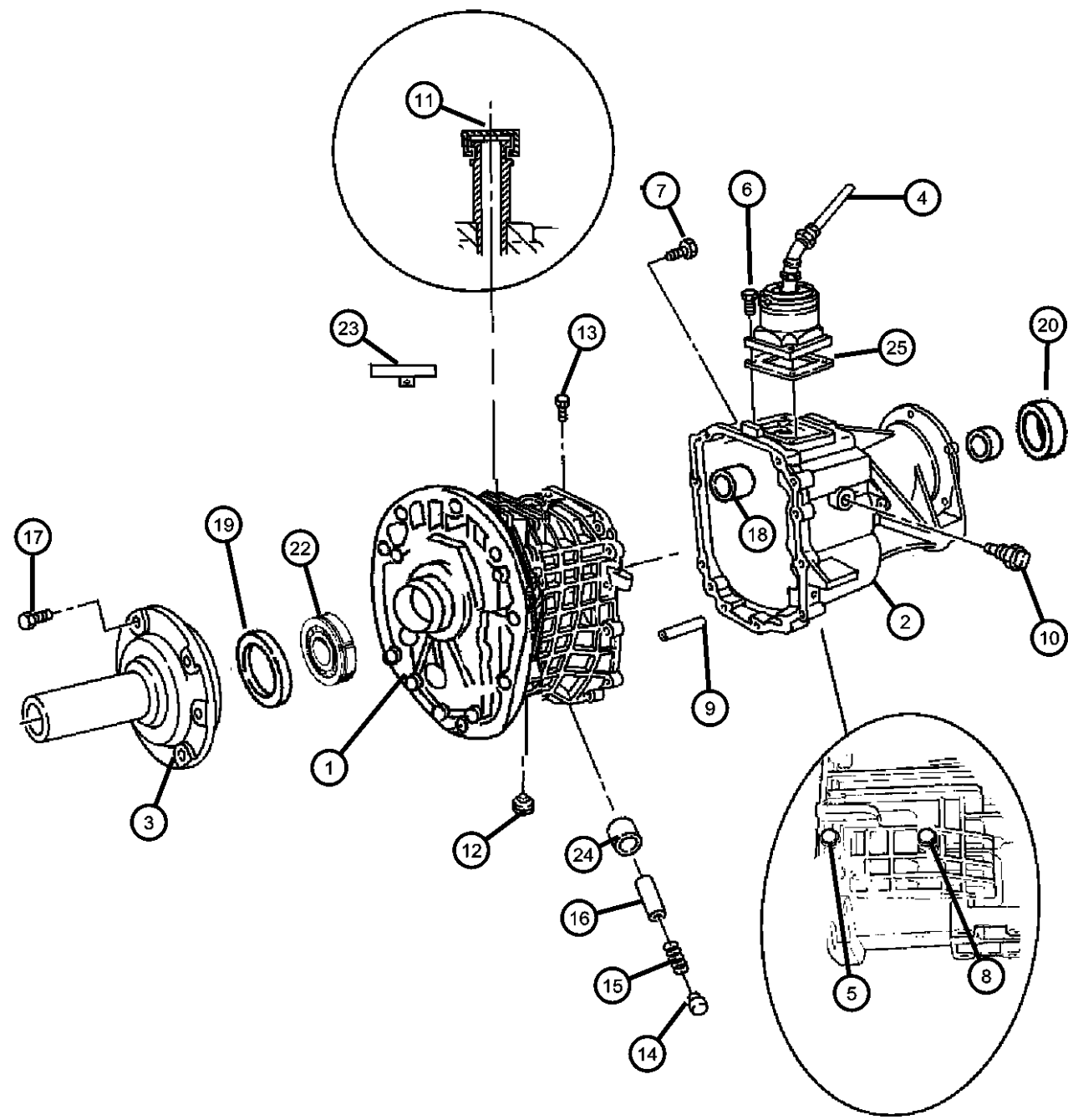
NOTE: Sales Codes
[DDD] = 5 Speed Heavy Duty Manual Transmissions
[EKG] = Magnum 3.7L V6 Engine

1	05096101AA	1	J, U			EN0	DDD		CASE, Transmission
	05096102AA	1	T			EKG	DDD		
		1	J			EKG	DDD		
2	05069035AC	1	T			EKG	DDD		CASE, Transmission Rear
	05069042AC	1	J, U			EN0	DDD		
		1	J			EKG	DDD		
3	05013306AA	1	J, U			EN0	DDD		RETAINER, Shaft
		1	T			EKG	DDD		
		1	J			EKG	DDD		
4	05101817AA	1	T			EKG	DDD		LEVER, Gearshift
		1	J			EKG	DDD		
	05101818AA	1	J, U			EN0	DDD		
5	04741313	1	J, U			EN0	DDD		BOLT, M8-1.25x70
		1	T			EKG	DDD		
		1	J			EKG	DDD		
6	04741144	4	T			EKG	DDD		BOLT, Hex Head
		4	J, U			EN0	DDD		
		4	J			EKG	DDD		
7	04741123	9	T			EKG	DDD		BOLT, Hex Head, M8x1.25x50
		11	J, U			EN0	DDD		
		9	J			EKG	DDD		

LIBERTY (KJ)	LINE	BODY	ENGINE	TRANSMISSION
SERIES				
P = Limited	J = LHD (4WD)	74 = 4 Door (104.3 WB)	ED1 = Engine - 2.4L 4 Cyl DOHC 16v SMPI	DDD = Transmission - 5-Speed HD Manual
H = Sport	U = RHD (4WD)		EKG = Engine - 3.7L V6	DDK = Transmission - 5-Speed HD Manual
M = Renegade	T = LHD (2WD)		ENJ = Engine -2.5L 4 Cyl 16v Turbo Diesel	DG4 = Transmission-Multi-Speed Auto, 45RFE
			ENR = Engine - 2.8L 4 Cyl Turbo Diesel	DG6 = Transmission-4-Spd. Automatic, 42RLE
			EN0 = 4Cyl Turbo Diesel	DGQ = Transmission-5-Spd Automatic 5-45RFE
			EK0 = All 3.7L	DBB = All Manual Transmissions
			ED0 = All 2.4L	DG0 = All Automatic Transmissions

AR = use ase required - = Non illustrated part

Case and Extension [DDD]
Figure 3550-210



ITEM	PART NUMBER	QTY	LINE	SERIES	BODY	ENGINE	TRANS	TRIM	DESCRIPTION
8	04741115	1	J, U			EN0	DDD		BOLT, Hex
9									PIN, Locating
	04741122	2	T			EKG	DDD		
		2	J, U			EN0	DDD		
		2	J			EKG	DDD		
10									SWITCH, Back Up Lamp
	05166264AA	1	T			EKG	DDD		
	56007163	1	J, U			EN0	DDD		
		1	J			EKG	DDD		
11									VENT, Transmission
	05015945AA	1	J, U			EN0	DDD		
		1	T			EKG	DDD		
		1	J			EKG	DDD		
12									PLUG, Oil Fill
	04882280	1	J, U			EN0	DDD		
		1	T			EKG	DDD		
		1	J			EKG	DDD		
13									PIN, Detent
	04740904	1	J, U			EN0	DDD		
		1	T			EKG	DDD		
		1	J			EKG	DDD		
14									CAP, Detent
	04741128	1	J, U			EN0	DDD		
		1	T			EKG	DDD		
		1	J			EKG	DDD		
15									SPRING, Shift Detent
	04773182	1	J, U			EN0	DDD		
	05093217AA	1	T			EKG	DDD		
		1	J			EKG	DDD		
16									PLUNGER

LIBERTY (KJ)

SERIES LINE
P = Limited J = LHD (4WD)
H = Sport U = RHD (4WD)
M = Renegade T = LHD (2WD)

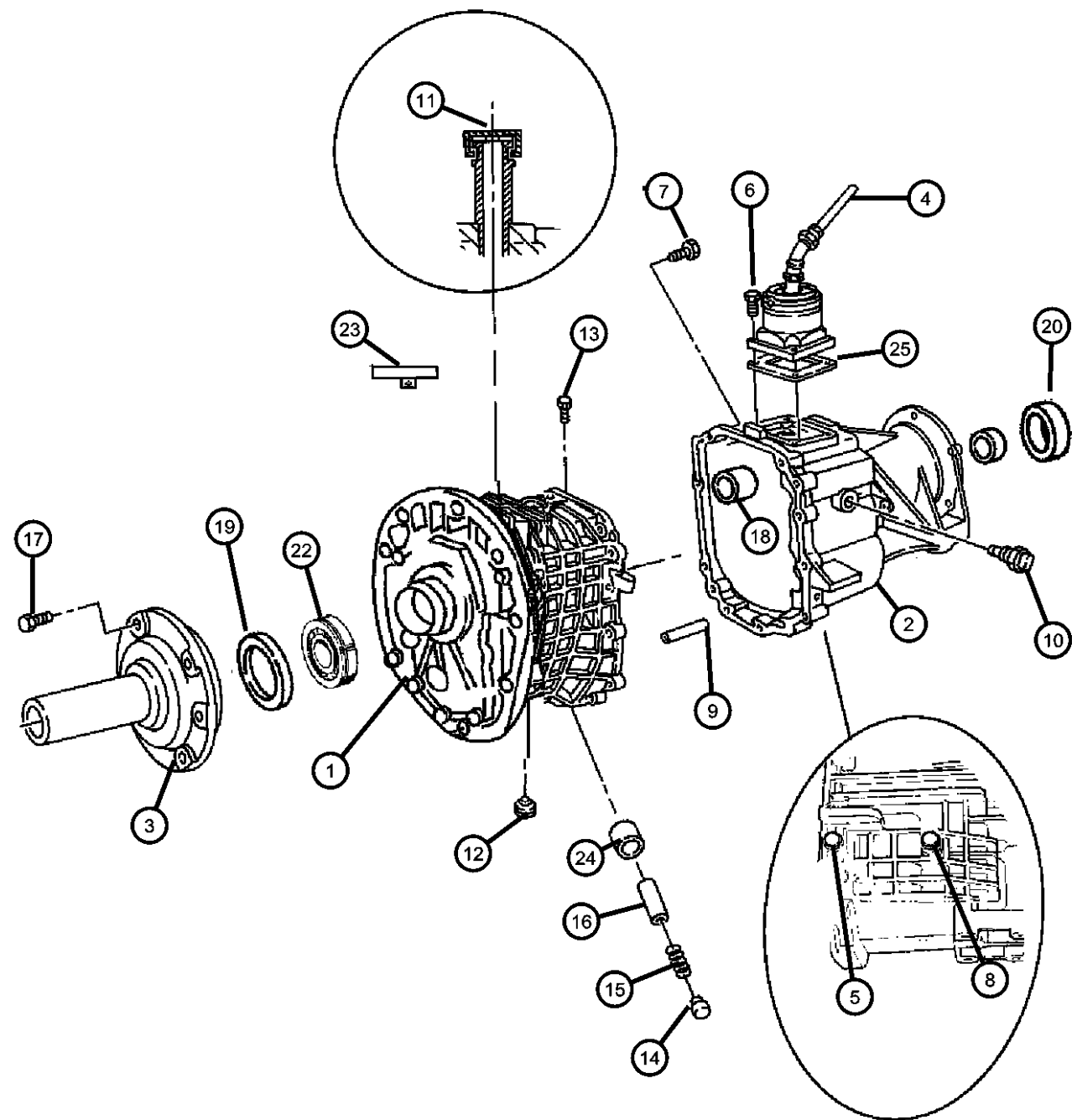
BODY
74 = 4 Door (104.3 WB)

ENGINE
ED1 = Engine - 2.4L 4 Cyl
DOHC 16v SMPI
EKG = Engine - 3.7L V6
ENJ = Engine -2.5L 4 Cyl 16V
Turbo Diesel
ENR = Engine - 2.8L 4 Cyl
Turbo Diesel
EN0 = 4Cyl Turbo Diesel
EKO = All 3.7L
ED0 = All 2.4L

TRANSMISSION
DDD = Transmission - 5-Speed HD
Manual
DDK = Transmission - 5-Speed HD
Manual
DG4 = Transmission-Multi-Speed
Auto, 45RFE
DG6 = Transmission-4-Spd.
Automatic, 42RLE
DGQ = Transmission-5-Spd Automatic
5-45RFE
DBB = All Manual Transmissions
DG0 = All Automatic Transmissions

AR = use ase required - = Non illustrated part

Case and Extension [DDD]
Figure 3550-210



ITEM	PART NUMBER	QTY	LINE	SERIES	BODY	ENGINE	TRANS	TRIM	DESCRIPTION
	05015949AA	1	J, U			EN0	DDD		
		1	T			EKG	DDD		
		1	J			EKG	DDD		
17									BOLT, Hex Head, M6x1.00x25
	04741300	6	T			EKG	DDD		
		6	J, U			EN0	DDD		
		6	J			EKG	DDD		
18									BUSHING, Shift Rail
	04740899	1	J, U			EN0	DDD		
		1	T			EKG	DDD		
		1	J			EKG	DDD		
19									SEAL, Input Shaft
	04741296	1	J, U			EN0	DDD		
		1	T			EKG	DDD		
		1	J			EKG	DDD		
20									SEAL, Output Shaft
	04531216AB	1	T			EKG	DDD		
	04741118	1	J, U			EN0	DDD		
		1	J			EKG	DDD		
-21	04864409	1	T			EKG	DDD		SEAL, Extension
22									BEARING, Input Shaft
	04874174AB	1	J, U			EN0	DDD		
		1	T			EKG	DDD		
		1	J			EKG	DDD		
23									VENT, Transmission
	05015945AA	1	J, U			EN0	DDD		
		1	T			EKG	DDD		
		1	J			EKG	DDD		
24									BUSHING, Transmission
	05012337AA	1	J, U			EN0	DDD		

LIBERTY (KJ)

SERIES LINE
P = Limited J = LHD (4WD)
H = Sport U = RHD (4WD)
M = Renegade T = LHD (2WD)

BODY
74 = 4 Door (104.3 WB)

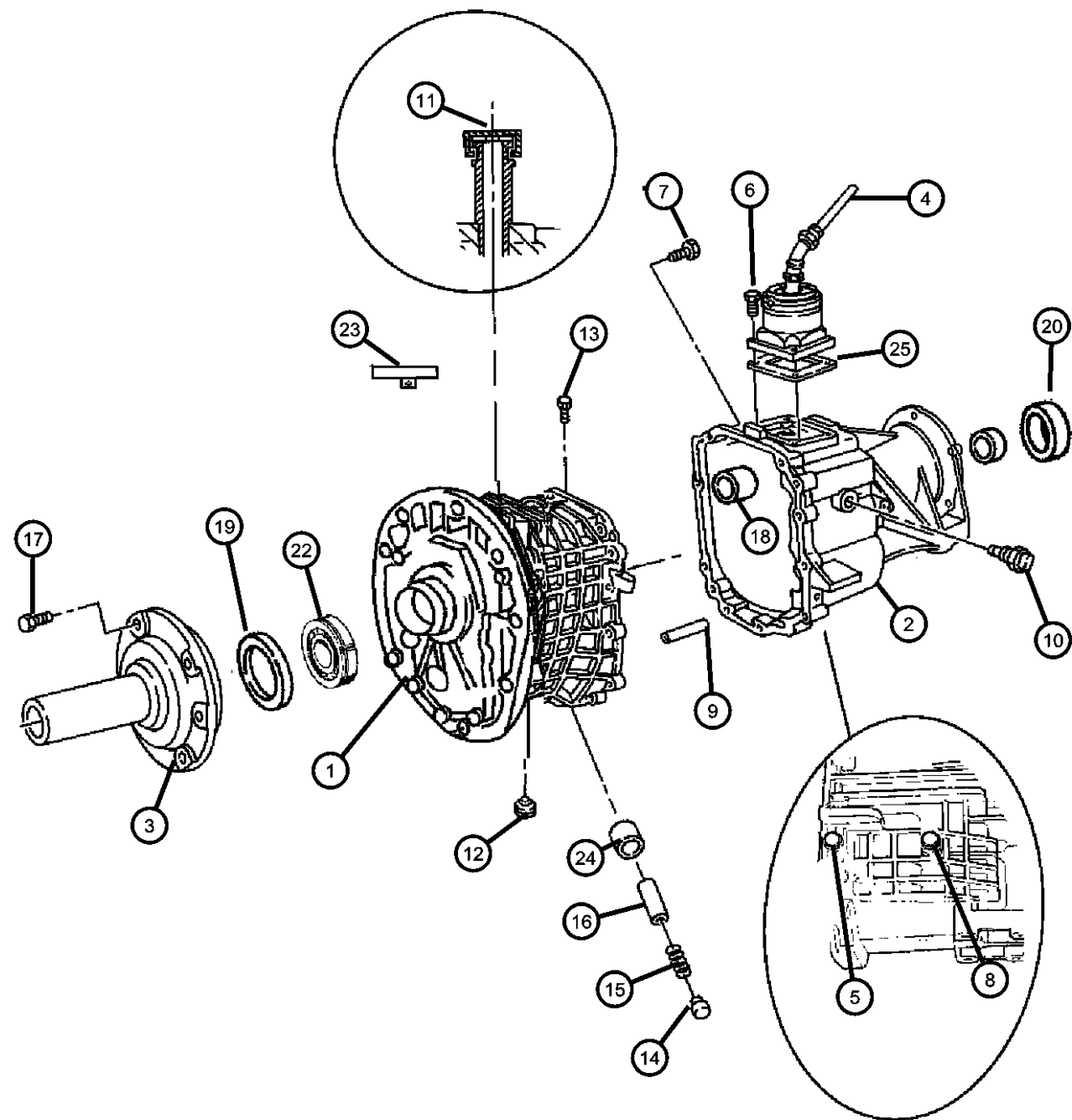
ENGINE
ED1 = Engine - 2.4L 4 Cyl
DOHC 16v SMPI
EKG = Engine - 3.7L V6
ENJ = Engine -2.5L 4 Cyl 16V
Turbo Diesel
ENR = Engine - 2.8L 4 Cyl
Turbo Diesel
EN0 = 4Cyl Turbo Diesel
EKO = All 3.7L
ED0 = All 2.4L

TRANSMISSION
DDD = Transmission - 5-Speed HD
Manual
DDK = Transmission - 5-Speed HD
Manual
DG4 = Transmission-Multi-Speed
Auto, 45RFE
DG6 = Transmission-4-Spd.
Automatic, 42RLE
DGQ = Transmission-5-Spd Automatic
5-45RFE
DBB = All Manual Transmissions
DG0 = All Automatic Transmissions

AR = use ase required - = Non illustrated part

2004 KJ

Case and Extension [DDD]
Figure 3550-210



ITEM	PART NUMBER	QTY	LINE	SERIES	BODY	ENGINE	TRANS	TRIM	DESCRIPTION
		1	T			EKG	DDD		
		1	J			EKG	DDD		
25	04886153AA	1	J, U			EN0	DDD		SEAL, Shift Lever
		1	T			EKG	DDD		
		1	J			EKG	DDD		
-26	05012337AA	1	J, U			EN0	DDD		BUSHING, Transmission
		1	J			EKG	DDD		
		1	T			EKG	DDD		
-27	05019023AA	1	T			EKG	DDD		CLIP
		2	T			EKG	DDD		
		2	J, U			EN0	DDD		
		2	J			EKG	DDD		
-28	04740903	1	J, U			EN0	DDD		PLUG, Oil Drain
		1	T			EKG	DDD		
		1	J			EKG	DDD		

LIBERTY (KJ)

SERIES LINE
P = Limited J = LHD (4WD)
H = Sport U = RHD (4WD)
M = Renegade T = LHD (2WD)

BODY
74 = 4 Door (104.3 WB)

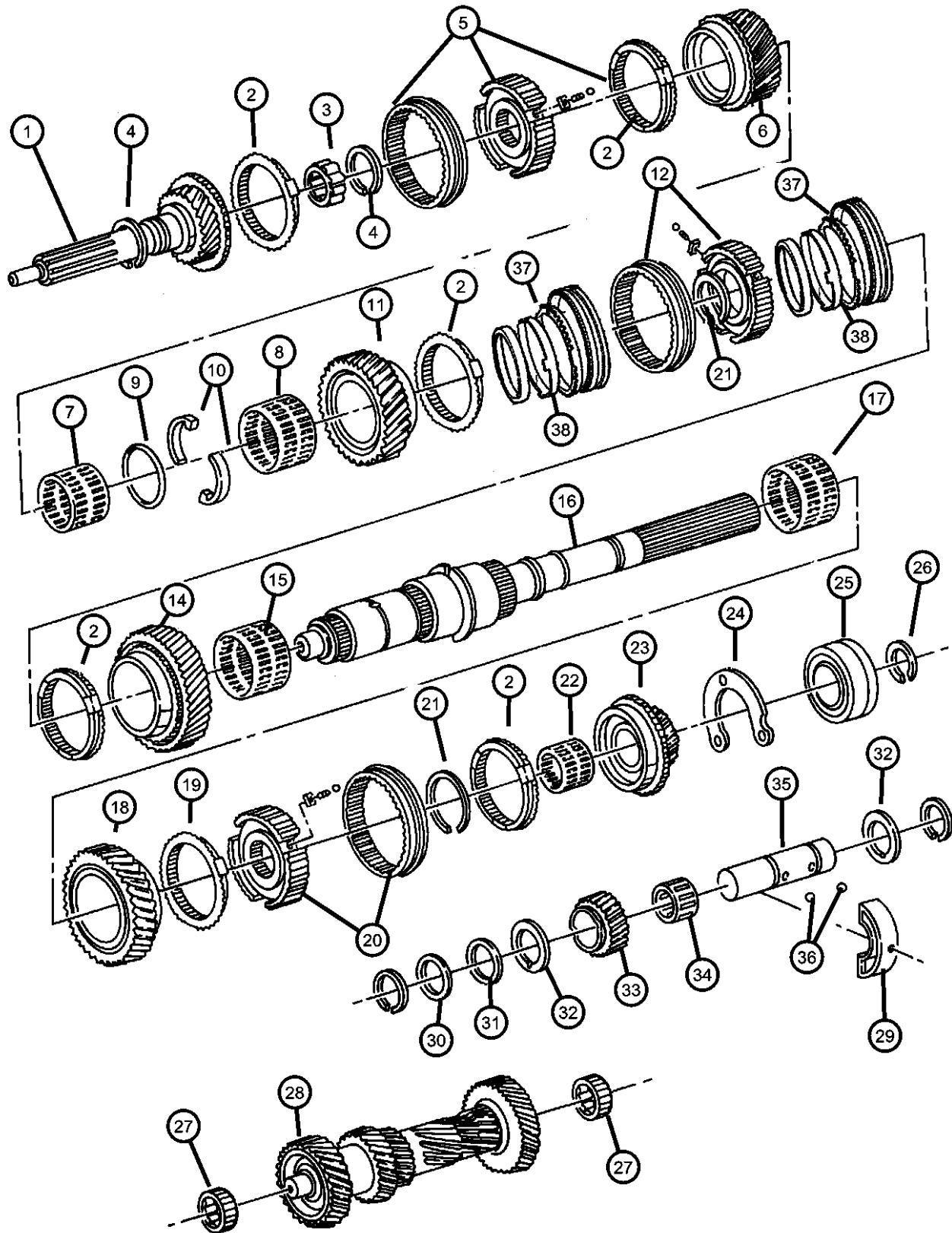
ENGINE
ED1 = Engine - 2.4L 4 Cyl
DOHC 16v SMPI
EKG = Engine - 3.7L V6
ENJ = Engine -2.5L 4 Cyl 16V
Turbo Diesel
ENR = Engine - 2.8L 4 Cyl
Turbo Diesel
EN0 = 4Cyl Turbo Diesel
EK0 = All 3.7L
ED0 = All 2.4L

TRANSMISSION
DDD = Transmission - 5-Speed HD
Manual
DDK = Transmission - 5-Speed HD
Manual
DG4 = Transmission-Multi-Speed
Auto, 45RFE
DG6 = Transmission-4-Spd.
Automatic, 42RLE
DGQ = Transmission-5-Spd Automatic
5-45RFE
DBB = All Manual Transmissions
DG0 = All Automatic Transmissions

AR = use ase required - = Non illustrated part

2004 KJ

**Gear Train [DDD]
Figure 3550-410**



ITEM	PART NUMBER	QTY	LINE	SERIES	BODY	ENGINE	TRANS	TRIM	DESCRIPTION
------	-------------	-----	------	--------	------	--------	-------	------	-------------

NOTE: Sales Codes
 [DDD] = 5 Speed Heavy Duty Manual Transmissions
 [EKG] = Magnum 3.7L V6 Engine
 [EN0] = All 4/5 Cylinder Turbo Diesel Engines

1	05019723AA	1	J, U			EN0	DDD		SHAFT, Input
		1	T			EKG	DDD		
		1	J			EKG	DDD		
2	04741277	2	T			EKG	DDD		STOP RING, Synchronizer
		2	J, U			EN0	DDD		
		2	J			EKG	DDD		
3	04741878	1	J, U			EN0	DDD		NEEDLE BEARING, Input Shaft
		1	T			EKG	DDD		
		1	J			EKG	DDD		
4	04741266	1	J, U			EN0	DDD		SNAP RING, Output Shaft Bearing
		1	T			EKG	DDD		
		1	J			EKG	DDD		
5	04741293AB	1	J, U			EN0	DDD		SYNCHRONIZER, Third and Fourth
		1	T			EKG	DDD		
		1	J			EKG	DDD		
6	04883718AB	1	J, U			EN0	DDD		GEAR, Third
		1	T			EKG	DDD		
		1	J			EKG	DDD		
7	04741874	1	J, U			EN0	DDD		NEEDLE BEARING, Third Gear
		1	T			EKG	DDD		

LIBERTY (KJ)

SERIES

P = Limited
 H = Sport
 M = Renegade

LINE

J = LHD (4WD)
 U = RHD (4WD)
 T = LHD (2WD)

BODY

74 = 4 Door (104.3 WB)

ENGINE

ED1 = Engine - 2.4L 4 Cyl
 DOHC 16v SMPI
 EKG = Engine - 3.7L V6
 ENJ = Engine -2.5L 4 Cyl 16V
 Turbo Diesel
 ENR = Engine - 2.8L 4 Cyl
 Turbo Diesel
 EN0 = 4Cyl Turbo Diesel
 EKO = All 3.7L
 ED0 = All 2.4L

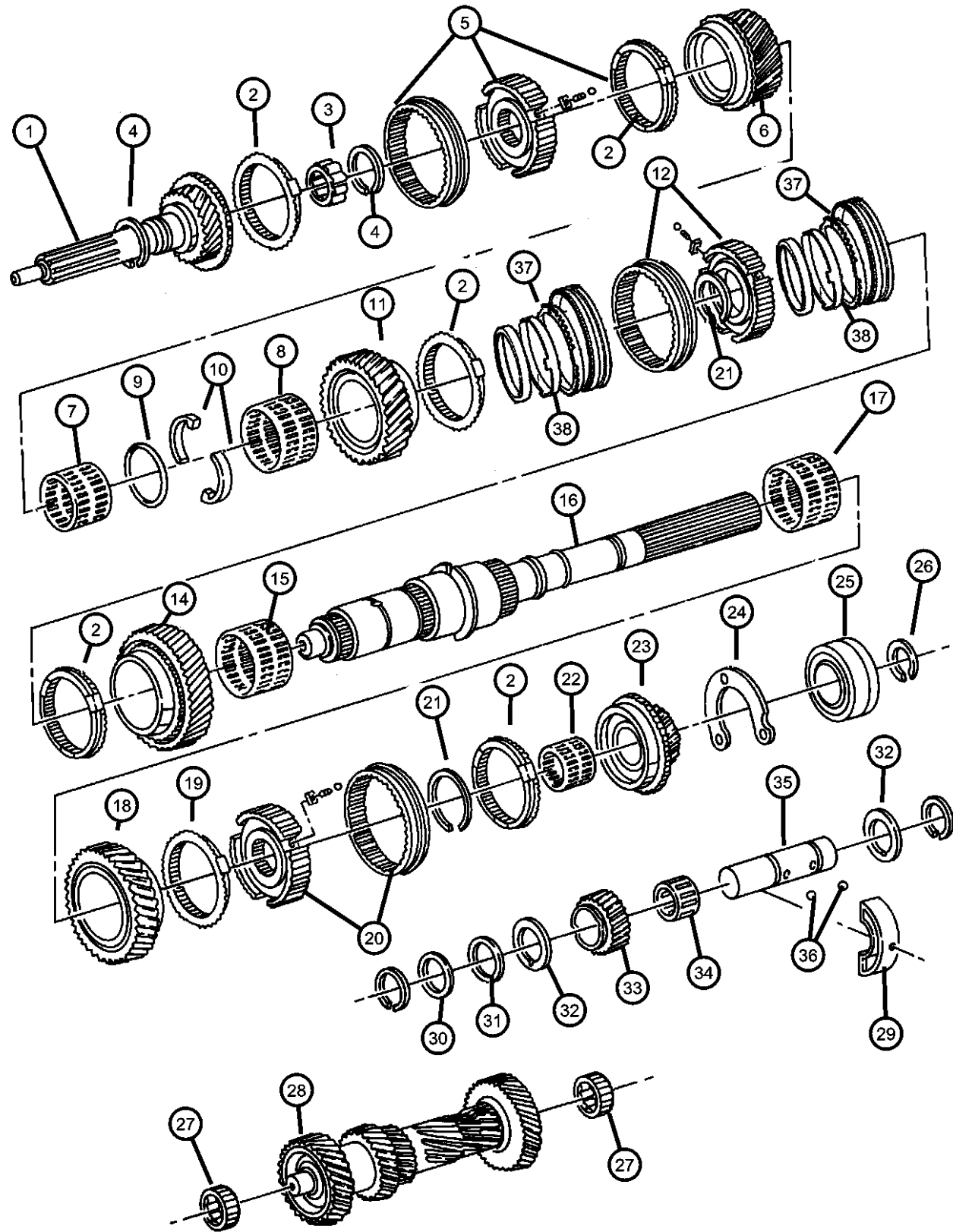
TRANSMISSION

DDD = Transmission - 5-Speed HD
 Manual
 DDK = Transmission - 5-Speed HD
 Manual
 DG4 = Transmission-Multi-Speed
 Auto, 45RFE
 DG6 = Transmission-4-Spd.
 Automatic, 42RLE
 DGQ = Transmission-5-Spd Automatic
 5-45RFE
 DBB = All Manual Transmissions
 DG0 = All Automatic Transmissions

AR = use ase required - = Non illustrated part

2004 KJ

**Gear Train [DDD]
Figure 3550-410**



ITEM	PART NUMBER	QTY	LINE	SERIES	BODY	ENGINE	TRANS	TRIM	DESCRIPTION
8	05003039AA	1	J			EKG	DDD		NEEDLE BEARING, Second Gear SNAP RING
9	04897922AA	1	J, U			EN0	DDD		
10	05019721AA	1	J			EKG	DDD		WASHER, Output Shaft
		1	T			EKG	DDD		
		2	J, U			EN0	DDD		
11	04874358AB	2	J			EKG	DDD		GEAR, Second
		1	T			EKG	DDD		
		1	J			EKG	DDD		
12	04874356AB	1	J, U			EN0	DDD		SYNCHRONIZER, First and Second
		1	T			EKG	DDD		
		1	J			EKG	DDD		
-13	04741277	2	T			EKG	DDD		STOP RING, Synchronizer
		2	J, U			EN0	DDD		
		2	J			EKG	DDD		
14	04874355AB	1	J, U			EN0	DDD		GEAR, First
		1	T			EKG	DDD		
		1	J			EKG	DDD		
15	04741871	1	J, U			EN0	DDD		NEEDLE BEARING, Transmission
		1	T			EKG	DDD		

LIBERTY (KJ)

SERIES

P = Limited
H = Sport
M = Renegade

LINE

J = LHD (4WD)
U = RHD (4WD)
T = LHD (2WD)

BODY

74 = 4 Door (104.3 WB)

ENGINE

ED1 = Engine - 2.4L 4 Cyl
DOHC 16v SMPI
EKG = Engine - 3.7L V6
ENJ = Engine -2.5L 4 Cyl 16V
Turbo Diesel
ENR = Engine - 2.8L 4 Cyl
Turbo Diesel
EN0 = 4Cyl Turbo Diesel
EKO = All 3.7L
ED0 = All 2.4L

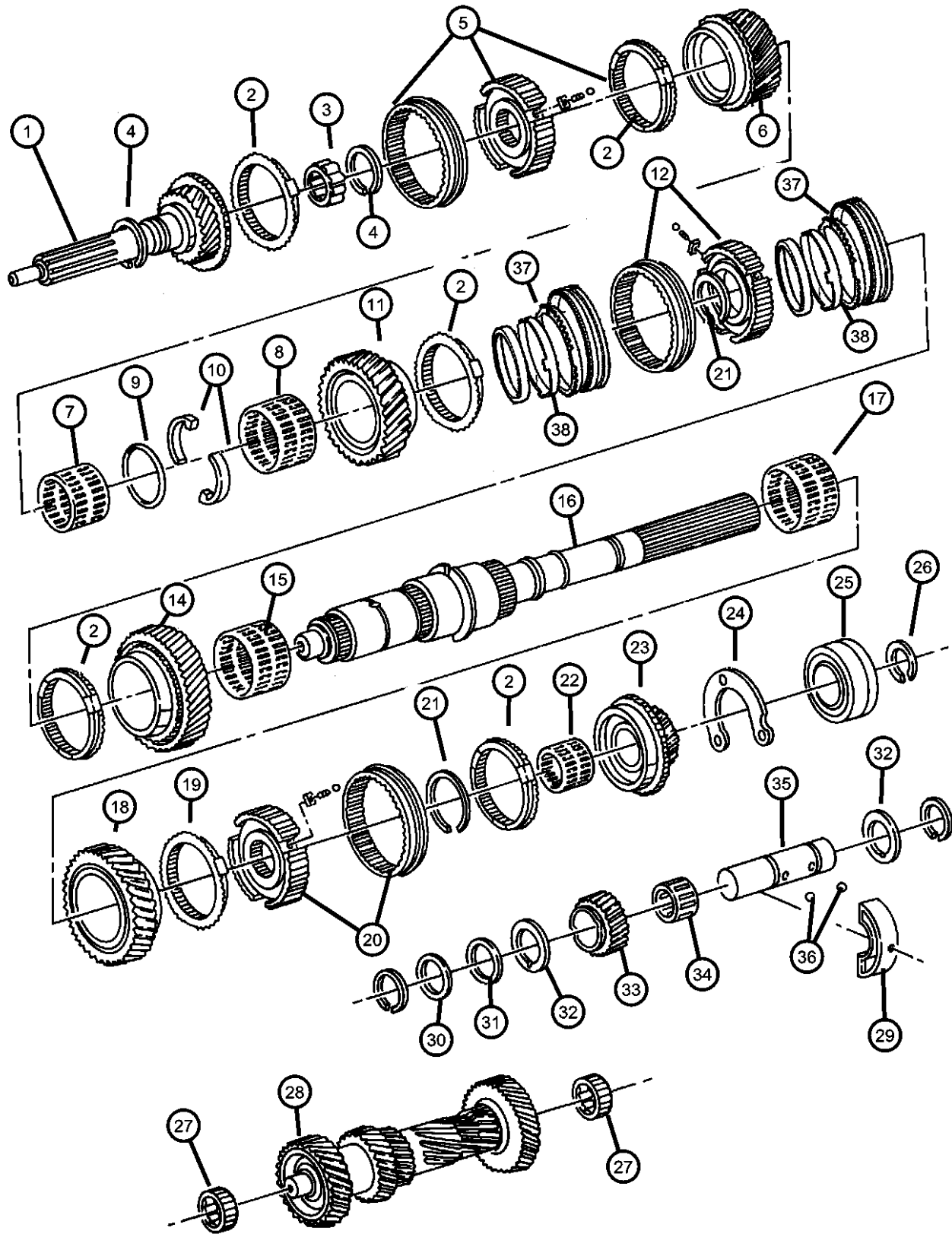
TRANSMISSION

DDD = Transmission - 5-Speed HD
Manual
DDK = Transmission - 5-Speed HD
Manual
DG4 = Transmission-Multi-Speed
Auto, 45RFE
DG6 = Transmission-4-Spd.
Automatic, 42RLE
DGQ = Transmission-5-Spd Automatic
5-45RFE
DBB = All Manual Transmissions
DG0 = All Automatic Transmissions

AR = use ase required - = Non illustrated part

2004 KJ

**Gear Train [DDD]
Figure 3550-410**



ITEM	PART NUMBER	QTY	LINE	SERIES	BODY	ENGINE	TRANS	TRIM	DESCRIPTION
16		1	J			EKG	DDD		SHAFT, Output
	04874309	1	J, U			EN0	DDD		
		1	J			EKG	DDD		
	05003288AA	1	T			EKG	DDD		
17		1	J, U			EN0	DDD		NEEDLE BEARING, Transmission
	04741871	1	J, U			EN0	DDD		
		1	T			EKG	DDD		
		1	J			EKG	DDD		
18		1	J, U			EN0	DDD		GEAR, Reverse
	05019029AA	1	J, U			EN0	DDD		
		1	T			EKG	DDD		
		1	J			EKG	DDD		
19		1	T			EKG	DDD		STOP RING, Synchronizer
	04741277	1	T			EKG	DDD		
		1	J			EKG	DDD		
	04741285	1	J, U			EN0	DDD		
20		1	J, U			EN0	DDD		SYNCHRONIZER, Fifth And Reverse
	04741278AB	1	J, U			EN0	DDD		
		1	T			EKG	DDD		
		1	J			EKG	DDD		
21		2	T			EKG	DDD		STOP RING, Synchronizer
	04741277	2	T			EKG	DDD		
		2	J, U			EN0	DDD		
		2	J			EKG	DDD		
22		1	J, U			EN0	DDD		BEARING, Needle
	04741273	1	J, U			EN0	DDD		
		1	T			EKG	DDD		
		1	J			EKG	DDD		

LIBERTY (KJ)

SERIES

P = Limited
H = Sport
M = Renegade

LINE

J = LHD (4WD)
U = RHD (4WD)
T = LHD (2WD)

BODY

74 = 4 Door (104.3 WB)

ENGINE

ED1 = Engine - 2.4L 4 Cyl
DOHC 16v SMPI
EKG = Engine - 3.7L V6
ENJ = Engine - 2.5L 4 Cyl 16V
Turbo Diesel
ENR = Engine - 2.8L 4 Cyl
Turbo Diesel
EN0 = 4Cyl Turbo Diesel
EKO = All 3.7L
ED0 = All 2.4L

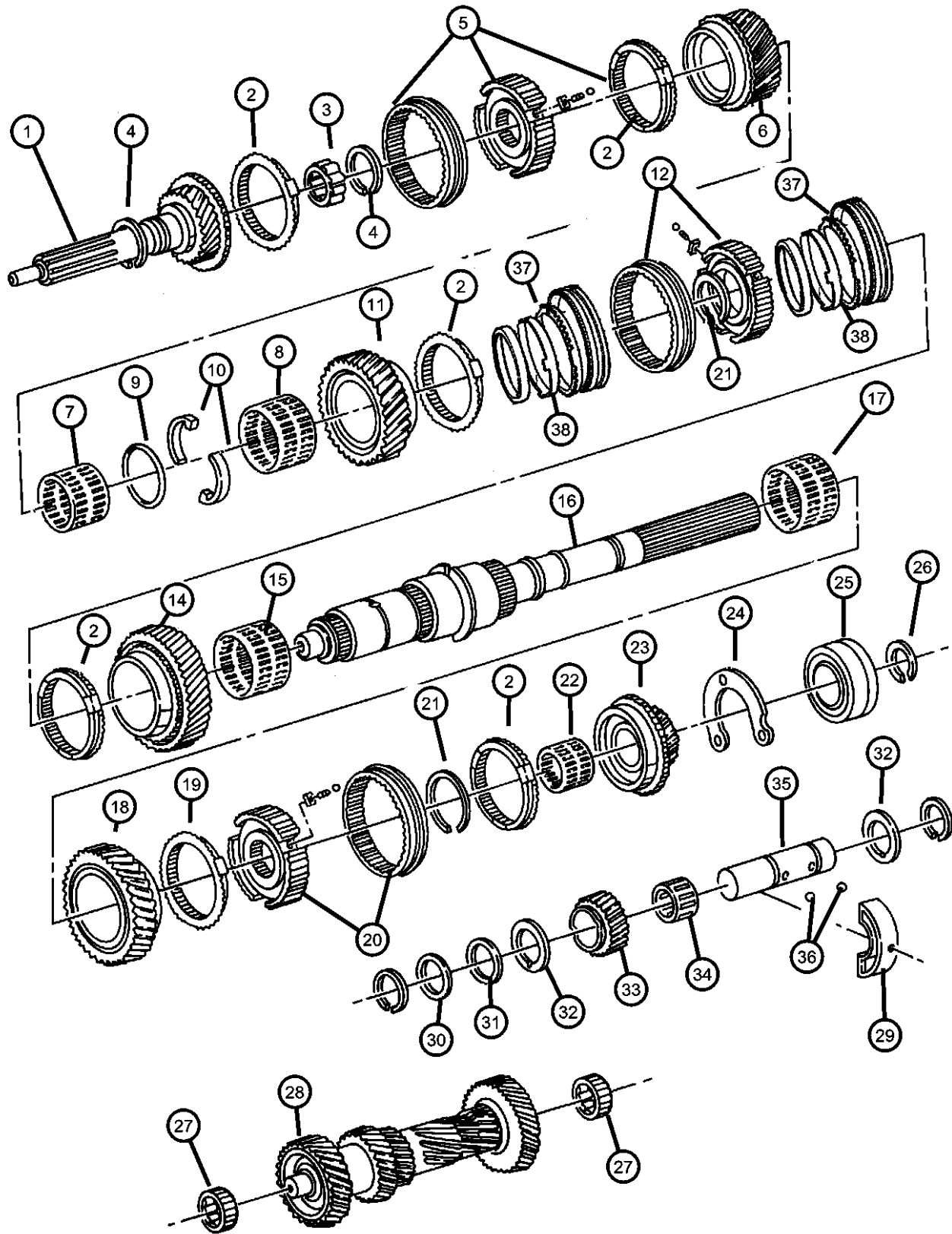
TRANSMISSION

DDD = Transmission - 5-Speed HD
Manual
DDK = Transmission - 5-Speed HD
Manual
DG4 = Transmission-Multi-Speed
Auto, 45RFE
DG6 = Transmission-4-Spd.
Automatic, 42RLE
DGQ = Transmission-5-Spd Automatic
5-45RFE
DBB = All Manual Transmissions
DG0 = All Automatic Transmissions

AR = use ase required - = Non illustrated part

2004 KJ

**Gear Train [DDD]
Figure 3550-410**



ITEM	PART NUMBER	QTY	LINE	SERIES	BODY	ENGINE	TRANS	TRIM	DESCRIPTION
23	05069040AA	1	J, U			EN0	DDD		GEAR, Fifth
		1	T			EKG	DDD		
		1	J			EKG	DDD		
24	04741114	1	J, U			EN0	DDD		RETAINER, Transmission Output Shaft Bearing
		1	J			EKG	DDD		
	04741116	1	T			EKG	DDD		
25	04741866AB	1	J, U			EN0	DDD		BEARING, Output Shaft
		1	T			EKG	DDD		
		1	J			EKG	DDD		
26	04741266	1	J, U			EN0	DDD		SNAP RING, Output Shaft Bearing
		1	T			EKG	DDD		
		1	J			EKG	DDD		
27	05066646AA	1	J, U			EN0	DDD		BEARING, Countershaft
		1	T			EKG	DDD		
		1	J			EKG	DDD		
28	05066650AA	1	J, U			EN0	DDD		SHAFT, Counter
		1	T			EKG	DDD		
		1	J			EKG	DDD		
29	04741312	1	J, U			EN0	DDD		SUPPORT, Segment Idler Shaft
		1	T			EKG	DDD		
		1	J			EKG	DDD		
30									WASHER, Flat

LIBERTY (KJ)

SERIES

P = Limited
H = Sport
M = Renegade

LINE

J = LHD (4WD)
U = RHD (4WD)
T = LHD (2WD)

BODY

74 = 4 Door (104.3 WB)

ENGINE

ED1 = Engine - 2.4L 4 Cyl
DOHC 16v SMPI
EKG = Engine - 3.7L V6
ENJ = Engine -2.5L 4 Cyl 16v
Turbo Diesel
ENR = Engine - 2.8L 4 Cyl
Turbo Diesel
EN0 = 4Cyl Turbo Diesel
EKO = All 3.7L
ED0 = All 2.4L

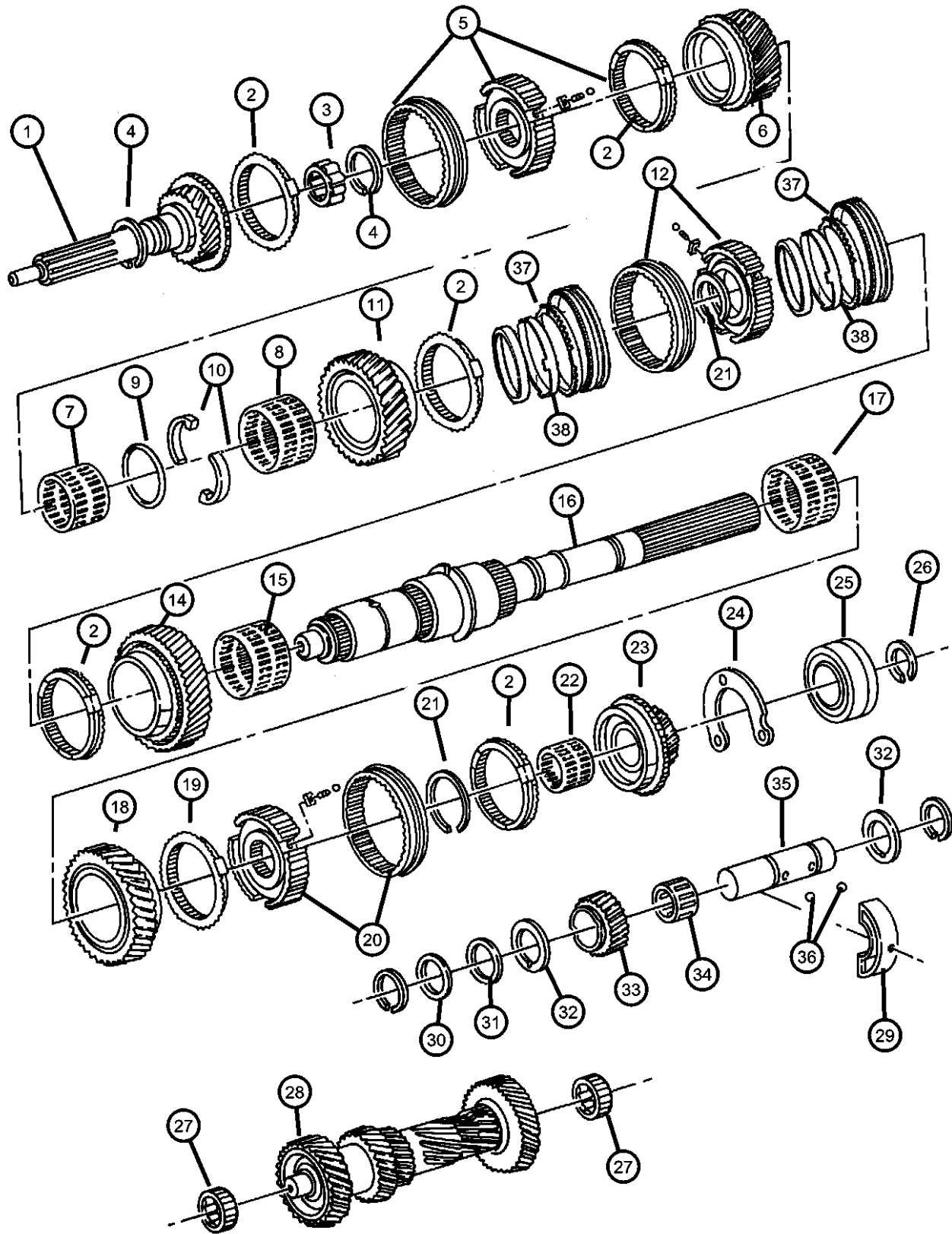
TRANSMISSION

DDD = Transmission - 5-Speed HD
Manual
DDK = Transmission - 5-Speed HD
Manual
DG4 = Transmission-Multi-Speed
Auto, 45RFE
DG6 = Transmission-4-Spd.
Automatic, 42RLE
DGQ = Transmission-5-Spd Automatic
5-45RFE
DBB = All Manual Transmissions
DG0 = All Automatic Transmissions

AR = use ase required - = Non illustrated part

2004 KJ

**Gear Train [DDD]
Figure 3550-410**



ITEM	PART NUMBER	QTY	LINE	SERIES	BODY	ENGINE	TRANS	TRIM	DESCRIPTION
	04741310	1	J, U			EN0	DDD		
		1	T			EKG	DDD		
		1	J			EKG	DDD		
31	04741309	1	J, U			EN0	DDD		WASHER, Idler Gear
		1	T			EKG	DDD		
		1	J			EKG	DDD		
32	04741307	2	T			EKG	DDD		THRUST WASHER, Reverse Idler
		2	J, U			EN0	DDD		
		2	J			EKG	DDD		
33	05066651AA	1	J, U			EN0	DDD		GEAR, Reverse Idler
		1	T			EKG	DDD		
		1	J			EKG	DDD		
34	04874359	1	J, U			EN0	DDD		BEARING, Idler
		1	T			EKG	DDD		
		1	J			EKG	DDD		
35	04741303	1	J, U			EN0	DDD		IDLER SHAFT, Transmission
		1	T			EKG	DDD		
		1	J			EKG	DDD		
36	04741891	2	T			EKG	DDD		BALL, Check, 4 mm
		2	J, U			EN0	DDD		
		2	J			EKG	DDD		
37	04874363	2	T			EKG	DDD		RING, Synchronizer Blocker
		2	J, U			EN0	DDD		

LIBERTY (KJ)

SERIES

P = Limited
H = Sport
M = Renegade

LINE

J = LHD (4WD)
U = RHD (4WD)
T = LHD (2WD)

BODY

74 = 4 Door (104.3 WB)

ENGINE

ED1 = Engine - 2.4L 4 Cyl
DOHC 16v SMPI
EKG = Engine - 3.7L V6
ENJ = Engine - 2.5L 4 Cyl 16v
Turbo Diesel
ENR = Engine - 2.8L 4 Cyl
Turbo Diesel
EN0 = 4Cyl Turbo Diesel
EKO = All 3.7L
ED0 = All 2.4L

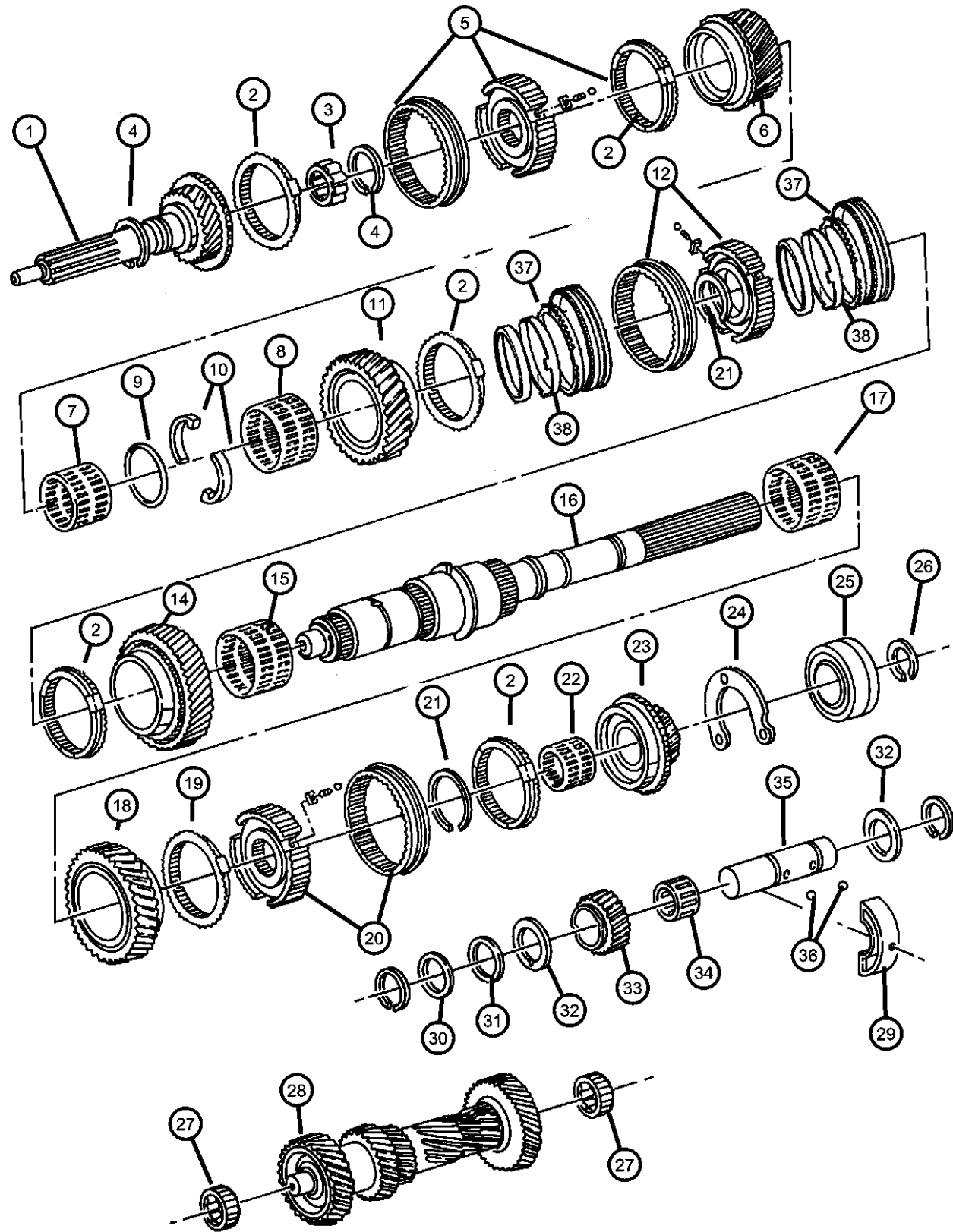
TRANSMISSION

DDD = Transmission - 5-Speed HD
Manual
DDK = Transmission - 5-Speed HD
Manual
DG4 = Transmission-Multi-Speed
Auto, 45RFE
DG6 = Transmission-4-Spd.
Automatic, 42RLE
DGQ = Transmission-5-Spd Automatic
5-45RFE
DBB = All Manual Transmissions
DG0 = All Automatic Transmissions

AR = use ase required - = Non illustrated part

2004 KJ

**Gear Train [DDD]
Figure 3550-410**



ITEM	PART NUMBER	QTY	LINE	SERIES	BODY	ENGINE	TRANS	TRIM	DESCRIPTION
38		2	J			EKG	DDD		CONE, Synchronizer
	04874405	2	T			EKG	DDD		
		2	J, U			EN0	DDD		
		2	J			EKG	DDD		
-39									BEARING, First Gear
	04874353	1	J, U			EN0	DDD		
		1	T			EKG	DDD		
		1	J			EKG	DDD		
-40									RING
	04874403	2	T			EKG	DDD		Synch Interim Ring
		2	J, U			EN0	DDD		Synch Interim Ring
		2	J			EKG	DDD		Synch Interim Ring
	04874404	2	T			EKG	DDD		Synch Reaction Cone Ring
		2	J, U			EN0	DDD		Synch Reaction Cone Ring
		2	J			EKG	DDD		Synch Reaction Cone Ring
-41									RING, Transmission
	04741805	1	J, U			EN0	DDD		
		1	T			EKG	DDD		
		1	J			EKG	DDD		
-42									SNAP RING
	04741311	2	T			EKG	DDD		
		2	J, U			EN0	DDD		
		2	J			EKG	DDD		
-43									SNAP RING PACKAGE, Transmission
	04741807	1	J, U			EN0	DDD		
		1	T			EKG	DDD		
		1	J			EKG	DDD		

LIBERTY (KJ)

SERIES

P = Limited
H = Sport
M = Renegade

LINE

J = LHD (4WD)
U = RHD (4WD)
T = LHD (2WD)

BODY

74 = 4 Door (104.3 WB)

ENGINE

ED1 = Engine - 2.4L 4 Cyl
DOHC 16v SMPI
EKG = Engine - 3.7L V6
ENJ = Engine - 2.5L 4 Cyl 16V
Turbo Diesel
ENR = Engine - 2.8L 4 Cyl
Turbo Diesel
EN0 = 4Cyl Turbo Diesel
EKO = All 3.7L
ED0 = All 2.4L

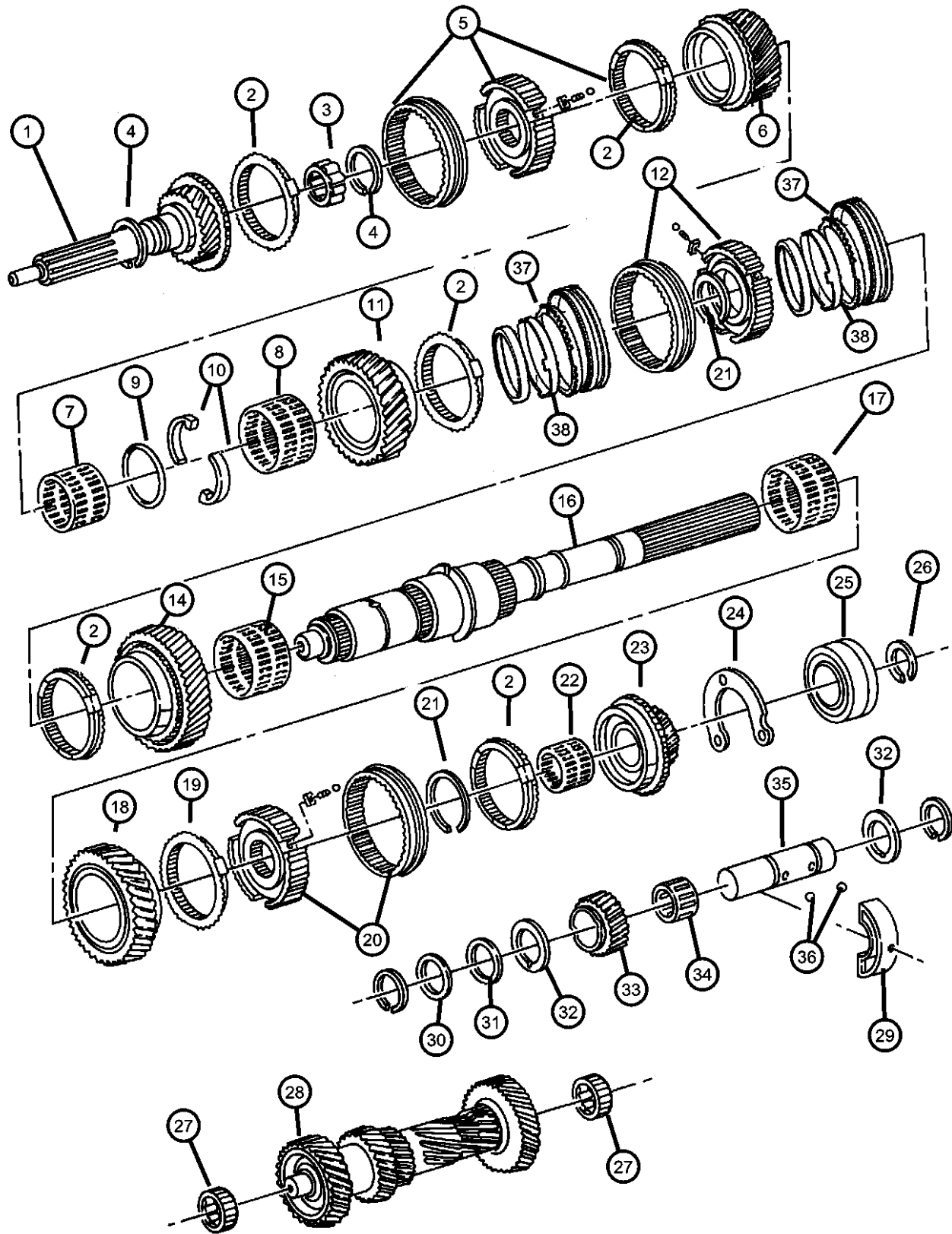
TRANSMISSION

DDD = Transmission - 5-Speed HD
Manual
DDK = Transmission - 5-Speed HD
Manual
DG4 = Transmission-Multi-Speed
Auto, 45RFE
DG6 = Transmission-4-Spd.
Automatic, 42RLE
DGQ = Transmission-5-Spd Automatic
5-45RFE
DBB = All Manual Transmissions
DG0 = All Automatic Transmissions

AR = use ase required - = Non illustrated part

2004 KJ

**Gear Train [DDD]
Figure 3550-410**



ITEM	PART NUMBER	QTY	LINE	SERIES	BODY	ENGINE	TRANS	TRIM	DESCRIPTION
-44	05015943AA	1	J, U			EN0	DDD		PLATE, Retaining
-45	05015942AA	1	J, U			EN0	DDD		CAM, Reverse Block

LIBERTY (KJ)

SERIES

P = Limited
H = Sport
M = Renegade

LINE

J = LHD (4WD)
U = RHD (4WD)
T = LHD (2WD)

BODY

74 = 4 Door (104.3 WB)

ENGINE

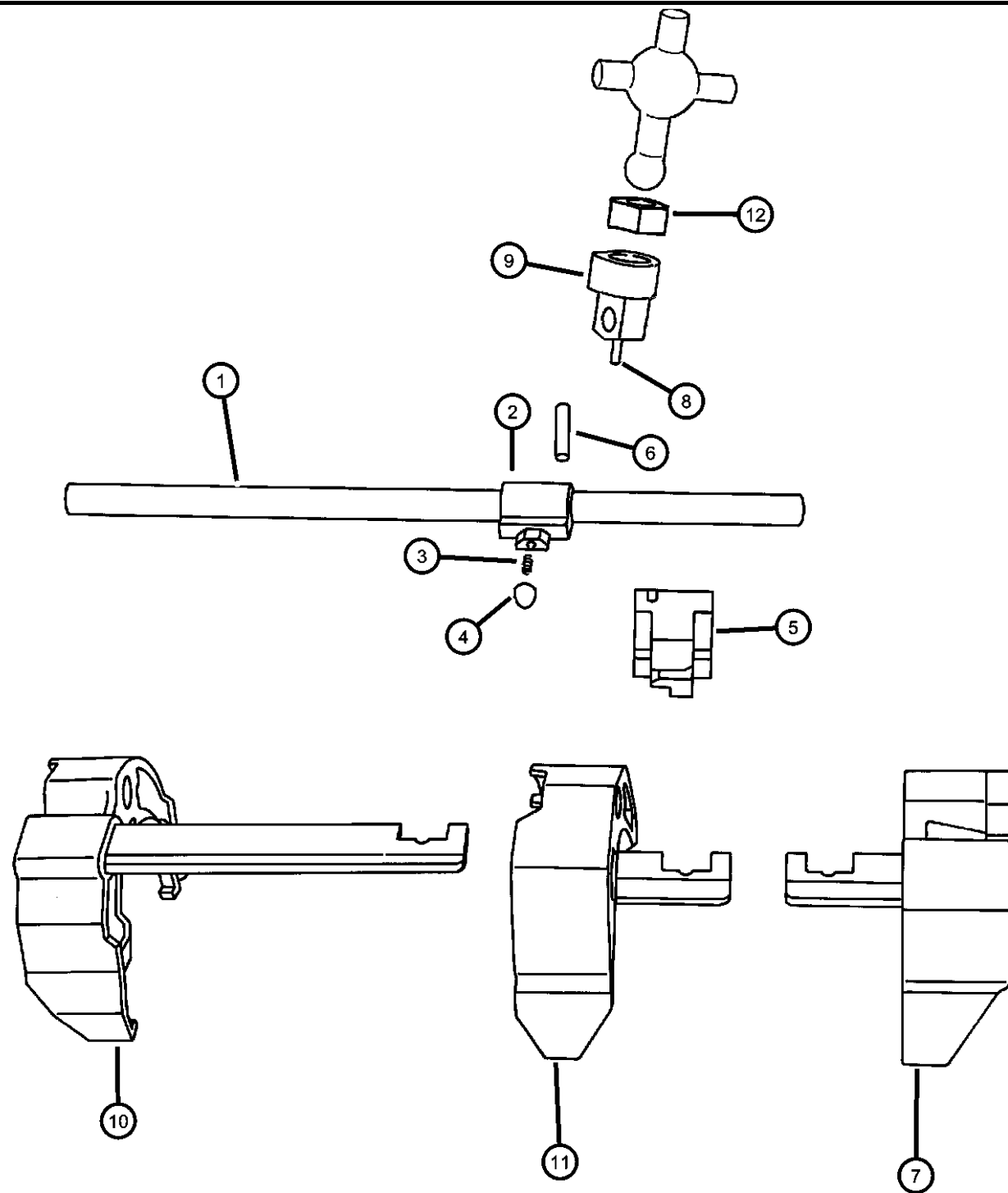
ED1 = Engine - 2.4L 4 Cyl
DOHC 16v SMPI
EKG = Engine - 3.7L V6
ENJ = Engine -2.5L 4 Cyl 16V
Turbo Diesel
ENR = Engine - 2.8L 4 Cyl
Turbo Diesel
EN0 = 4Cyl Turbo Diesel
EKO = All 3.7L
EDO = All 2.4L

TRANSMISSION

DDD = Transmission - 5-Speed HD
Manual
DDK = Transmission - 5-Speed HD
Manual
DG4 = Transmission-Multi-Speed
Auto, 45RFE
DG6 = Transmission-4-Spd.
Automatic, 42RLE
DGQ = Transmission-5-Spd Automatic
5-45RFE
DBB = All Manual Transmissions
DG0 = All Automatic Transmissions

AR = use ase required - = Non illustrated part

Fork and Rails [DDD]
Figure 3550-910



ITEM	PART NUMBER	QTY	LINE	SERIES	BODY	ENGINE	TRANS	TRIM	DESCRIPTION
NOTE: Sales Codes [DDD] = 5 Speed Heavy Duty Manual Transmissions [EKG] = Magnum 3.7L V6 Engine									
1	05015951AB	1	J, U			EN0	DDD		SHAFT, Selector
		1	T			EKG	DDD		
		1	J			EKG	DDD		
2	05072248AA	1	J, U			EN0	DDD		LEVER, Shift Shaft
		1	T			EKG	DDD		
		1	J			EKG	DDD		
3	04741137	1	J, U			EN0	DDD		SPRING, Lever
		1	T			EKG	DDD		
		1	J			EKG	DDD		
4	05015949AA	1	J, U			EN0	DDD		PLUNGER
		1	T			EKG	DDD		
		1	J			EKG	DDD		
5	05012337AA	1	J, U			EN0	DDD		BUSHING, Transmission
		1	T			EKG	DDD		
		1	J			EKG	DDD		
6	04741139	1	J, U			EN0	DDD		PIN, Shift Shaft
		1	T			EKG	DDD		
		1	J			EKG	DDD		
7	05066352AB	1	J, U			EN0	DDD		FORK, Third and Fourth
		1	T			EKG	DDD		
		1	J			EKG	DDD		

LIBERTY (KJ)

SERIES

P = Limited
H = Sport
M = Renegade

LINE

J = LHD (4WD)
U = RHD (4WD)
T = LHD (2WD)

BODY

74 = 4 Door (104.3 WB)

ENGINE

ED1 = Engine - 2.4L 4 Cyl
DOHC 16v SMPI
EKG = Engine - 3.7L V6
ENJ = Engine -2.5L 4 Cyl 16V
Turbo Diesel
ENR = Engine - 2.8L 4 Cyl
Turbo Diesel
EN0 = 4Cyl Turbo Diesel
EKO = All 3.7L
EDO = All 2.4L

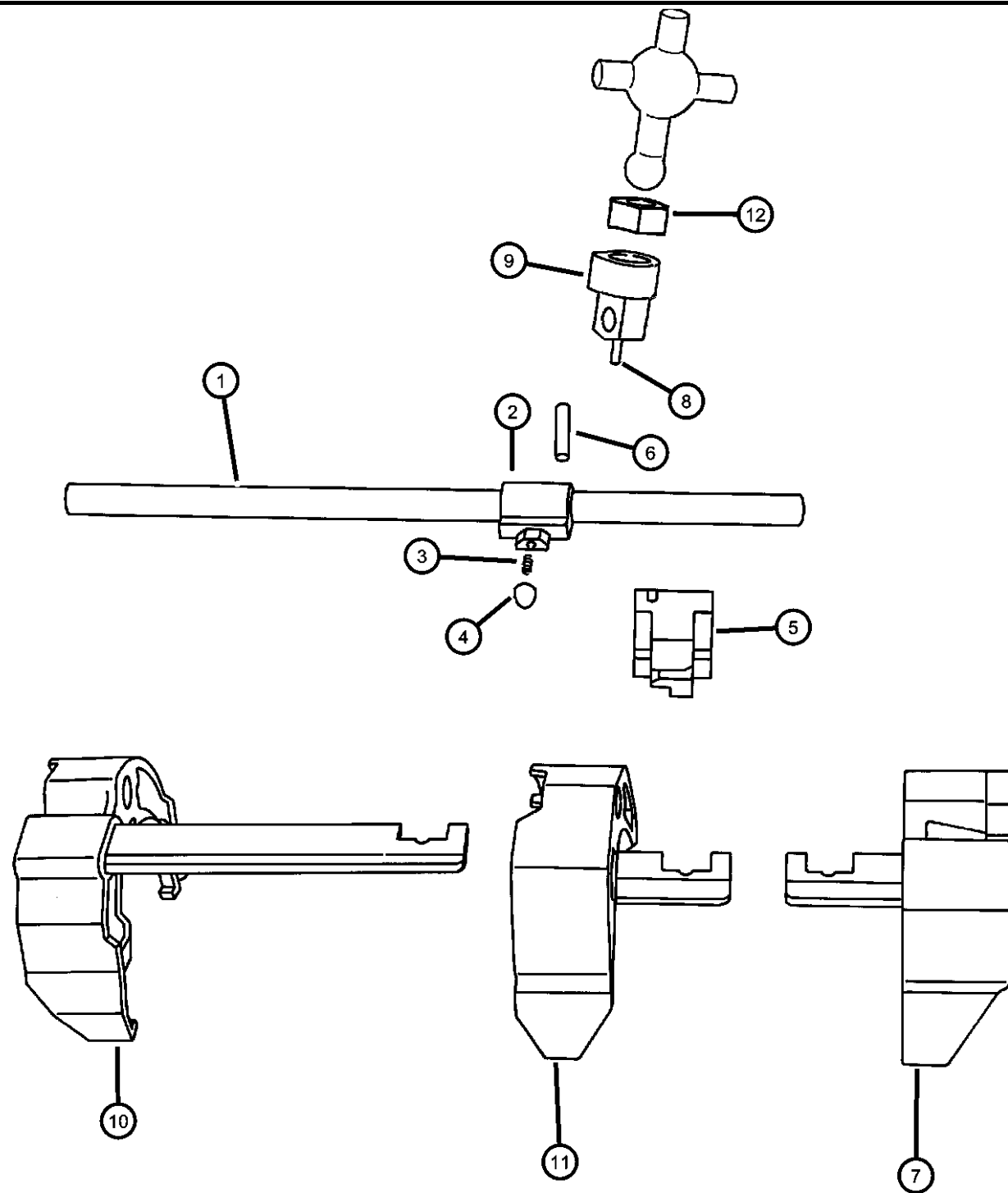
TRANSMISSION

DDD = Transmission - 5-Speed HD
Manual
DDK = Transmission - 5-Speed HD
Manual
DG4 = Transmission-Multi-Speed
Auto, 45RFE
DG6 = Transmission-4-Spd.
Automatic, 42RLE
DGQ = Transmission-5-Spd Automatic
5-45RFE
DBB = All Manual Transmissions
DG0 = All Automatic Transmissions

AR = use ase required - = Non illustrated part

2004 KJ

Fork and Rails [DDD]
Figure 3550-910



ITEM	PART NUMBER	QTY	LINE	SERIES	BODY	ENGINE	TRANS	TRIM	DESCRIPTION
8	04741139	1	J, U			EN0	DDD		PIN, Shift Shaft
		1	T			EKG	DDD		
		1	J			EKG	DDD		
9	04874352	1	J, U			EN0	DDD		SOCKET, Shift Shaft
		1	T			EKG	DDD		
		1	J			EKG	DDD		
10	05083104AA	1	J, U			EN0	DDD		FORK, Transmission
		1	T			EKG	DDD		
		1	J			EKG	DDD		
11	04886077AB	1	J, U			EN0	DDD		FORK, First and Second
		1	T			EKG	DDD		
		1	J			EKG	DDD		
12	05012020AA	1	J, U			EN0	DDD		ISOLATOR, Shift Lever
		1	T			EKG	DDD		
		1	J			EKG	DDD		
-13	05012337AA	1	J, U			EN0	DDD		BUSHING, Transmission
		1	J			EKG	DDD		
	05019023AA	1	T			EKG	DDD		
-14	05019024AA	1	J, U			EN0	DDD		PIN Shift Fork Trac
		1	T			EKG	DDD		
		1	J			EKG	DDD		
-15	04740904	1	J, U			EN0	DDD		PIN, Detent

LIBERTY (KJ)

SERIES LINE
P = Limited J = LHD (4WD)
H = Sport U = RHD (4WD)
M = Renegade T = LHD (2WD)

BODY
74 = 4 Door (104.3 WB)

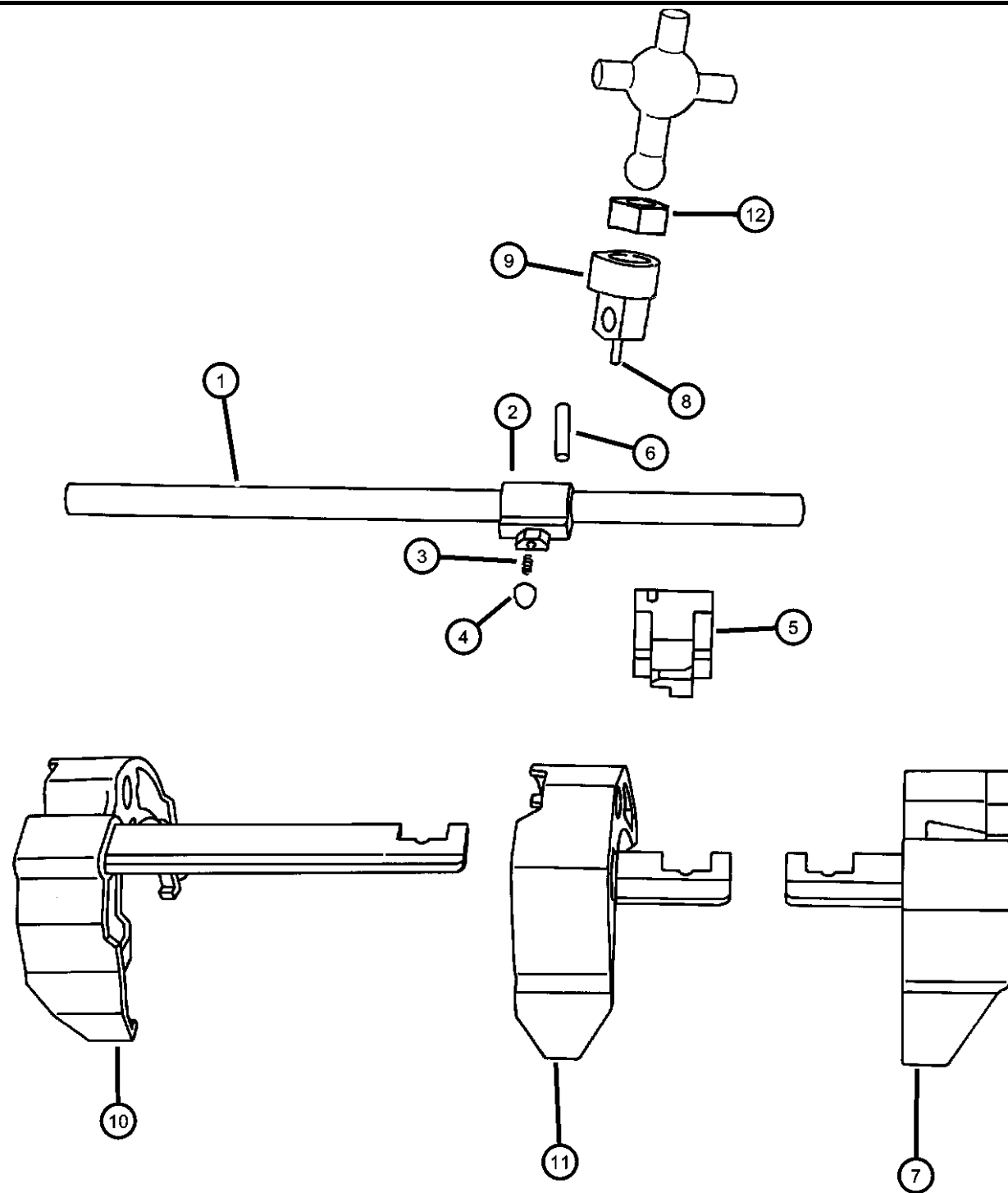
ENGINE
ED1 = Engine - 2.4L 4 Cyl
DOHC 16v SMPI
EKG = Engine - 3.7L V6
ENJ = Engine -2.5L 4 Cyl 16V
Turbo Diesel
ENR = Engine - 2.8L 4 Cyl
Turbo Diesel
EN0 = 4Cyl Turbo Diesel
EKO = All 3.7L
EDO = All 2.4L

TRANSMISSION
DDD = Transmission - 5-Speed HD
Manual
DDK = Transmission - 5-Speed HD
Manual
DG4 = Transmission-Multi-Speed
Auto, 45RFE
DG6 = Transmission-4-Spd.
Automatic, 42RLE
DGQ = Transmission-5-Spd Automatic
5-45RFE
DBB = All Manual Transmissions
DG0 = All Automatic Transmissions

AR = use ase required - = Non illustrated part

2004 KJ

Fork and Rails [DDD]
Figure 3550-910



ITEM	PART NUMBER	QTY	LINE	SERIES	BODY	ENGINE	TRANS	TRIM	DESCRIPTION
------	-------------	-----	------	--------	------	--------	-------	------	-------------

		1	T			EKG	DDD		
		1	J			EKG	DDD		

LIBERTY (KJ)

SERIES	LINE
P = Limited	J = LHD (4WD)
H = Sport	U = RHD (4WD)
M = Renegade	T = LHD (2WD)

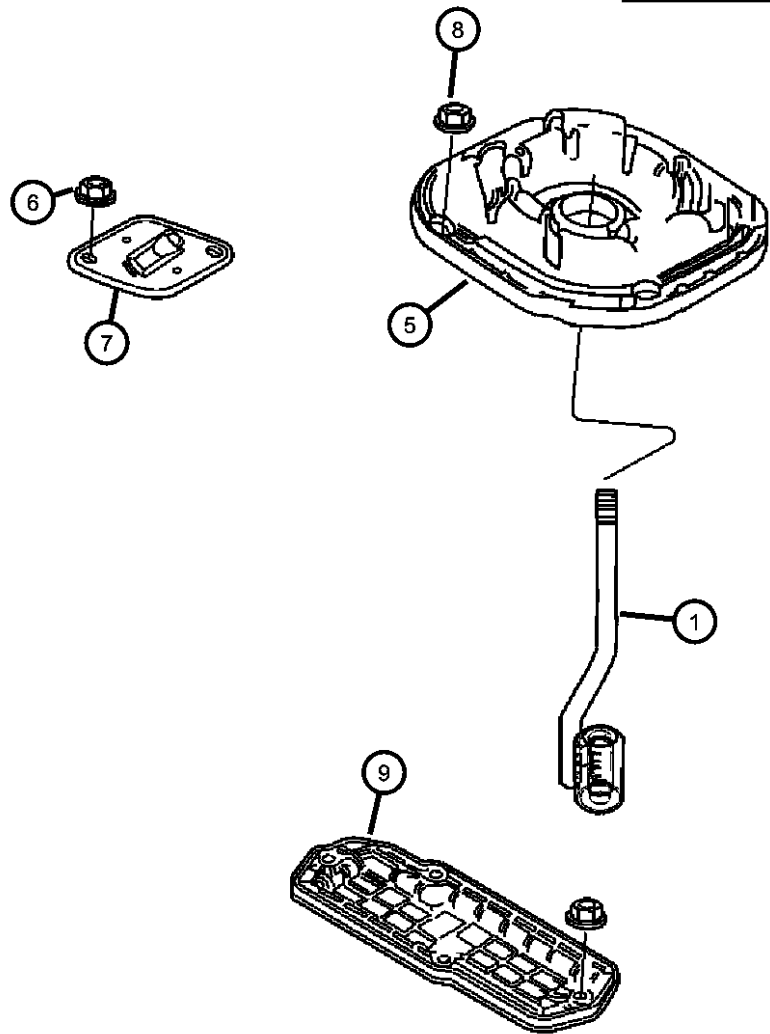
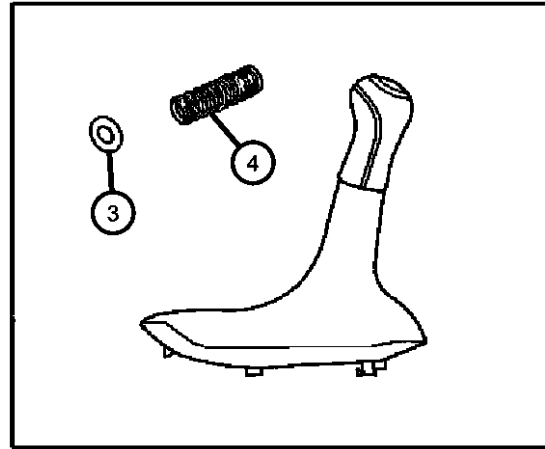
BODY
74 = 4 Door (104.3 WB)

ENGINE
ED1 = Engine - 2.4L 4 Cyl DOHC 16v SMPI
EKG = Engine - 3.7L V6 Turbo Diesel
ENJ = Engine -2.5L 4 Cyl 16V Turbo Diesel
ENR = Engine - 2.8L 4 Cyl Turbo Diesel
ENO = 4Cyl Turbo Diesel
EK0 = All 3.7L
ED0 = All 2.4L

TRANSMISSION
DDD = Transmission - 5-Speed HD Manual
DDK = Transmission - 5-Speed HD Manual
DG4 = Transmission-Multi-Speed Auto, 45RFE
DG6 = Transmission-4-Spd. Automatic, 42RLE
DGQ = Transmission-5-Spd Automatic 5-45RFE
DBB = All Manual Transmissions
DG0 = All Automatic Transmissions

AR = use ase required - = Non illustrated part

**Gearshift Controls [DDD]
Figure 3550-1210**



ITEM	PART NUMBER	QTY	LINE	SERIES	BODY	ENGINE	TRANS	TRIM	DESCRIPTION
------	-------------	-----	------	--------	------	--------	-------	------	-------------

NOTE: Sales Codes
 [DBB]= All Manual Transmissions
 [ED0]= All 4 Cylinder Gas Engines
 [EK0] = All 3.7L 6 Cylinder Gas Engines
 [EN0]= All 4/5 Cylinder Turbo Diesel

1	05102826AA	1					DBB		LEVER, Gearshift
2	05102830AA	1					DBB		BOOT KIT, Gearshift
3	05102828AA	1					DBB		SPRING, Gearshift Lever
4	05102827AA	1					DBB		O RING, Gearshift Boot
5	52104306AB	1				ED0, EK0, EN0	DBB		BOOT, Gearshift Lever
6	06100047	2							NUT AND WASHER, Hex Nut-Coned Washer, M6 x 1.00
7	52104382AA	1					DBB		COVER, Gearshift
8									NUT AND WASHER, Hex Nut-Sealing Washer, M6 x 1.00
	34201358	4					DBB		
		4							
9	52104321AA	1	T						COVER, Transfer Case Lever Hole
-10	05015943AA	1	J, U			EN0	DDD		PLATE, Retaining
-11	06506668AA	1					DBB		SCREW, Cap
-12	05015942AA	1	J, U			EN0	DDD		CAM, Reverse Block

LIBERTY (KJ)

SERIES	LINE
P = Limited	J = LHD (4WD)
H = Sport	U = RHD (4WD)
M = Renegade	T = LHD (2WD)

BODY
 74 = 4 Door (104.3 WB)

ENGINE
 ED1 = Engine - 2.4L 4 Cyl
 DOHC 16v SMPI
 EKG = Engine - 3.7L V6
 ENJ = Engine -2.5L 4 Cyl 16V
 Turbo Diesel
 ENR = Engine - 2.8L 4 Cyl
 Turbo Diesel
 EN0 = 4Cyl Turbo Diesel
 EK0 = All 3.7L
 ED0 = All 2.4L

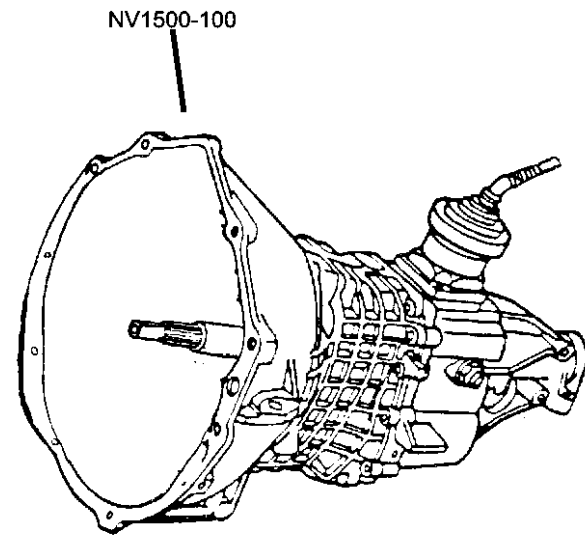
TRANSMISSION
 DDD = Transmission - 5-Speed HD
 Manual
 DDK = Transmission - 5-Speed HD
 Manual
 DG4 = Transmission-Multi-Speed
 Auto, 45RFE
 DG6 = Transmission-4-Spd.
 Automatic, 42RLE
 DGQ = Transmission-5-Spd Automatic
 5-45RFE
 DBB = All Manual Transmissions
 DG0 = All Automatic Transmissions

AR = use ase required - = Non illustrated part

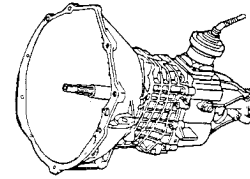
2004 KJ

Group - NV1500

Manual Transmission 5 Speed



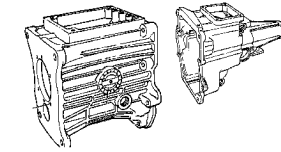
NV1500-100
Transmission Assembly



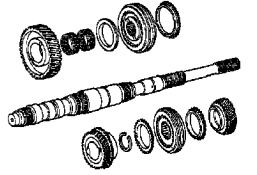
NV1500-1200
Gearshift Controls



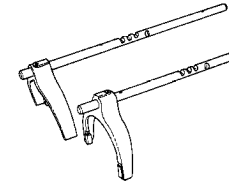
NV1500-200
Case and Extension



NV1500-400
Gear Train



NV1500-900
Fork and Rails



Group - NV1500 Manual Transmission 5 Speed

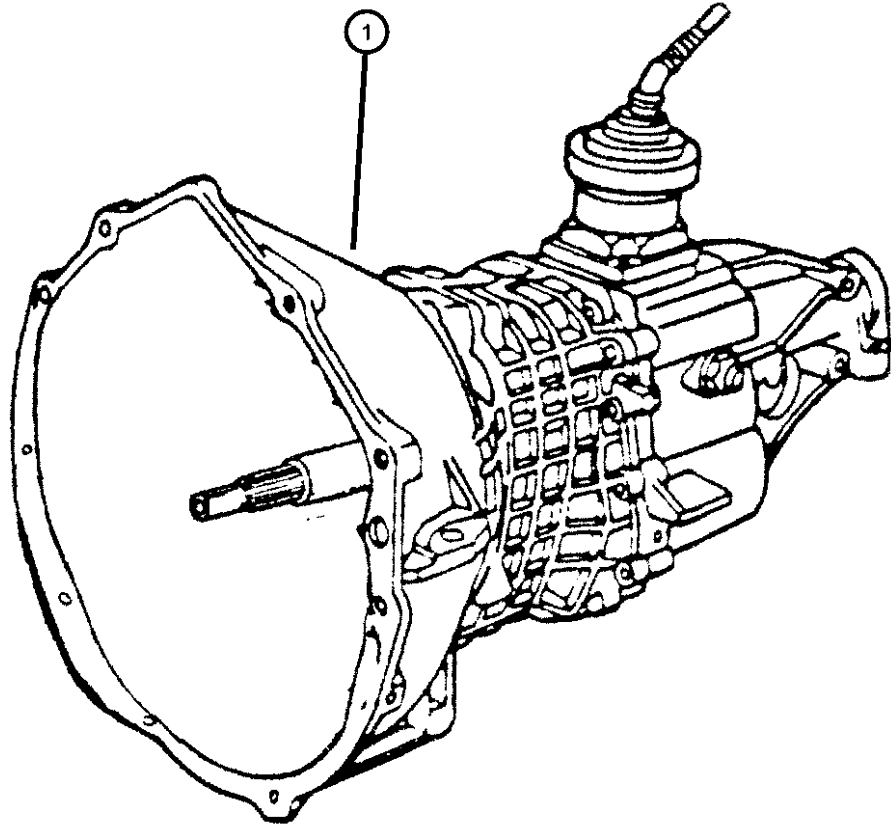
Illustration Title	Group-Fig. No.
Transmission Assembly	
Transmission [NV 1500] [DDK].....	Fig. NV1500 - 110
Case and Extension	
Case and Extension [NV 1500] [DDK].....	Fig. NV1500 - 210
Gear Train	
Gear Train [NV 1500] [DDK].....	Fig. NV1500 - 410
Fork and Rails	
Fork and Rail [NV 1500] [DDK].....	Fig. NV1500 - 910
Gearshift Controls	
Gearshift Controls [DDK]	Fig. NV1500 - 1210

Transmission [NV 1500] [DDK]
Figure NV1500-110

ITEM	PART NUMBER	QTY	LINE	SERIES	BODY	ENGINE	TRANS	TRIM	DESCRIPTION
------	-------------	-----	------	--------	------	--------	-------	------	-------------

NOTE: Sales Codes
[DDK] = 5 Speed Heavy Duty Manual Transmissions
[ED0] = All 2.2,2.5,2.4 L 4 Cylinder Gas Engines

1									TRANSMISSION, 5 Speed
	52108292AC 04874464	1	J, U			ED0	DDK		Mopar Manual Transmission Fluid
	52108293AC 04874464	1	T			ED0	DDK		Mopar Manual Transmission Fluid
-2	05013329AA	3	J, U			ED0	DDK		BOLT



LIBERTY (KJ)

SERIES LINE
P = Limited J = LHD (4WD)
H = Sport U = RHD (4WD)
M = Renegade T = LHD (2WD)

BODY
74 = 4 Door (104.3 WB)

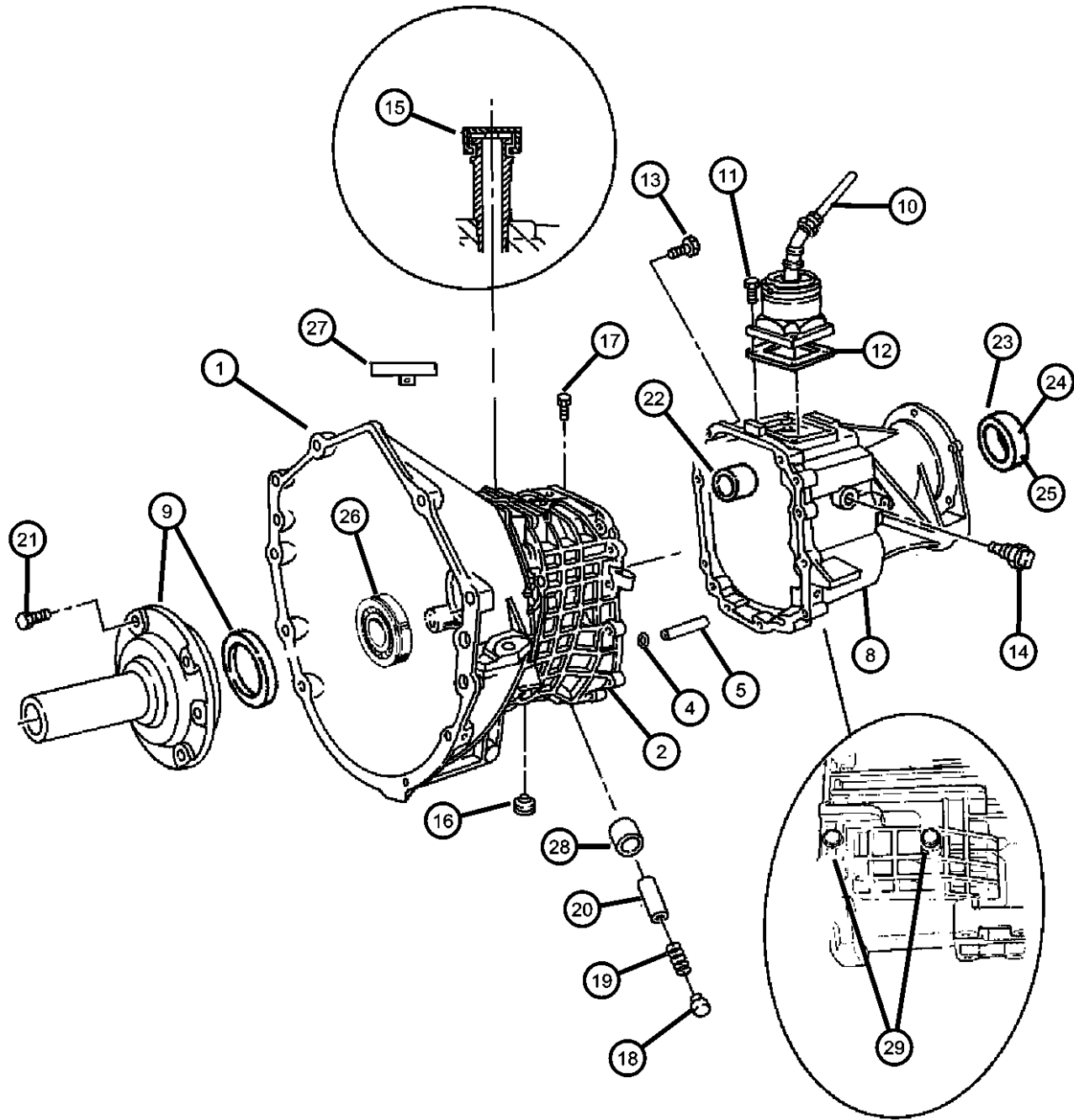
ENGINE
ED1 = Engine - 2.4L 4 Cyl
DOHC 16v SMPI
EKG = Engine - 3.7L V6
ENJ = Engine -2.5L 4 Cyl 16V
Turbo Diesel
ENR = Engine - 2.8L 4 Cyl
Turbo Diesel
ENO = 4Cyl Turbo Diesel
EKO = All 3.7L
ED0 = All 2.4L

TRANSMISSION
DDD = Transmission - 5-Speed HD
Manual
DDK = Transmission - 5-Speed HD
Manual
DG4 = Transmission-Multi-Speed
Auto, 45RFE
DG6 = Transmission-4-Spd.
Automatic, 42RLE
DGQ = Transmission-5-Spd Automatic
5-45RFE
DBB = All Manual Transmissions
DG0 = All Automatic Transmissions

AR = use ase required - = Non illustrated part

2004 KJ

**Case and Extension [NV 1500] [DDK]
Figure NV1500-210**

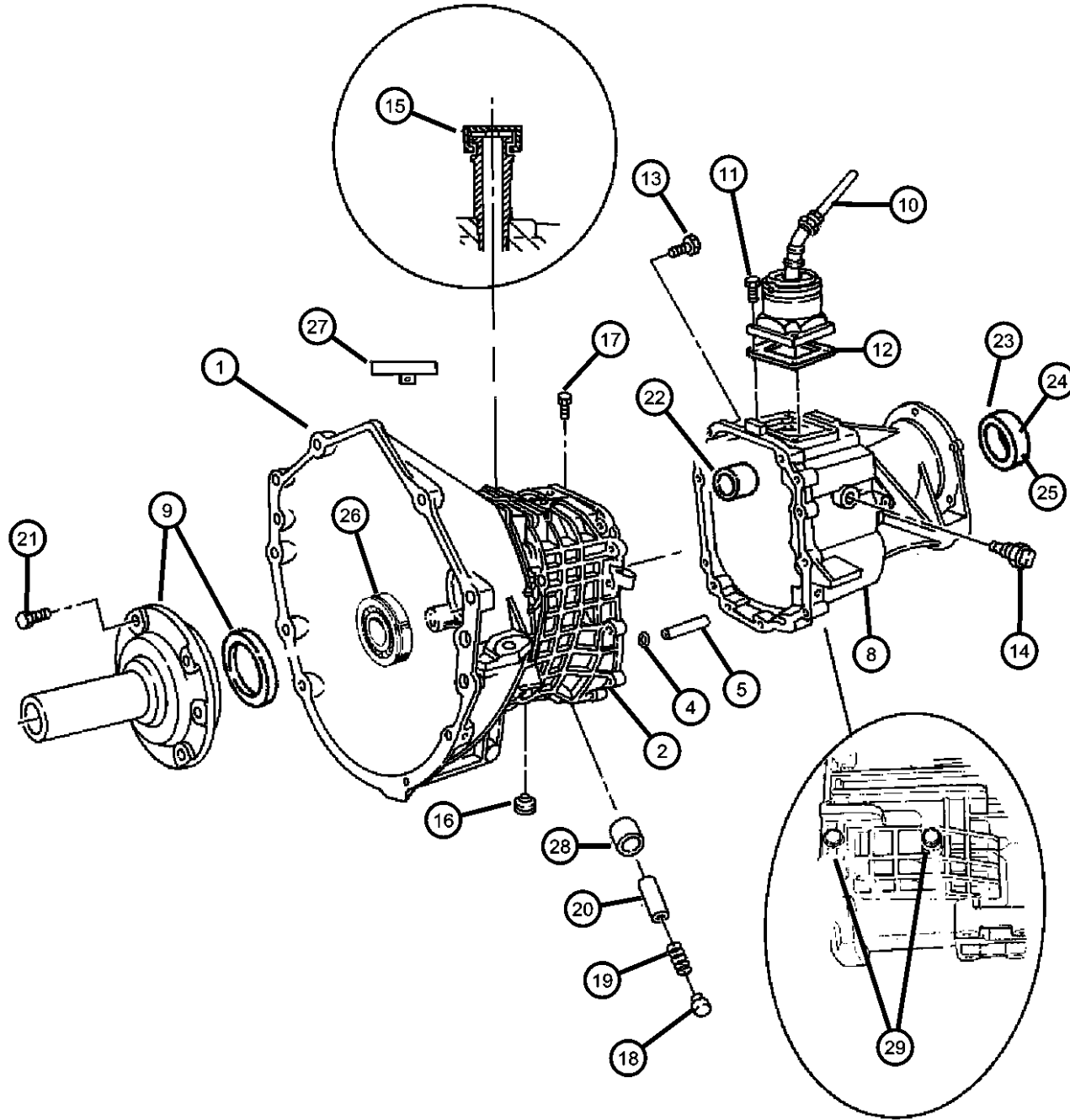


ITEM	PART NUMBER	QTY	LINE	SERIES	BODY	ENGINE	TRANS	TRIM	DESCRIPTION
NOTE: Sales Codes [DBB] = All Manual Transmissions [DDK] = 5 Speed Heavy Duty Manual Transmissions [ED0] = All 2.2,2.5,2.4 L 4 Cylinder Gas Engines									
1	52104292AA	1				ED0	DBB		HOUSING, Clutch
2									CASE, Transmission
	05018670AA	1	J, U			ED0	DDK		
		1	T			ED0	DDK		
-3									BUSHING, Shift Rail
	04338945	1	J, U						
	04740899	1	T			ED0	DDK		
4									CUP, Bearing Inner
	05013313AA	1	J, U			ED0	DDK		
		1	T			ED0	DDK		
5									DOWEL, Transmission Case
	05013314AA	1	J, U			ED0	DDK		12 X 16 LG
		2	J, U			ED0	DDK		
-6	05013337AA	1	T			ED0	DDK		DOWEL, Transmission Case
-7									SHIM
	05013315AA	1	J, U			ED0	DDK		Size (.050)
		1	T			ED0	DDK		Size (.050)
	05013316AA	1	J, U			ED0	DDK		Size (.054)
		1	T			ED0	DDK		Size (.054)
	05013317AA	1	J, U			ED0	DDK		Size (.058)
		1	T			ED0	DDK		Size (.058)
8									CASE, Transmission Rear
	05093072AA	1	T			ED0	DDK		
	05093073AB	1	J, U			ED0	DDK		
9									RETAINER, Shaft
	05013413AA	1	J, U			ED0	DDK		
		1	T			ED0	DDK		

LIBERTY (KJ)				
SERIES	LINE	BODY	ENGINE	TRANSMISSION
P = Limited	J = LHD (4WD)	74 = 4 Door (104.3 WB)	ED1 = Engine - 2.4L 4 Cyl DOHC 16v SMPI	DDD = Transmission - 5-Speed HD Manual
H = Sport	U = RHD (4WD)		EKG = Engine - 3.7L V6	DDK = Transmission - 5-Speed HD Manual
M = Renegade	T = LHD (2WD)		ENJ = Engine -2.5L 4 Cyl 16V Turbo Diesel	DG4 = Transmission-Multi-Speed Auto, 45RFE
			ENR = Engine - 2.8L 4 Cyl Turbo Diesel	DG6 = Transmission-4-Spd. Automatic, 42RLE
			ENO = 4Cyl Turbo Diesel	DGQ = Transmission-5-Spd Automatic 5-45RFE
			EKO = All 3.7L	DBB = All Manual Transmissions
			ED0 = All 2.4L	DG0 = All Automatic Transmissions

AR = use ase required - = Non illustrated part

Case and Extension [NV 1500] [DDK]
Figure NV1500-210



ITEM	PART NUMBER	QTY	LINE	SERIES	BODY	ENGINE	TRANS	TRIM	DESCRIPTION
10	05101818AA	1	J, U			EN0	DDD		LEVER, Gearshift
	05101839AA	1	J, U			ED0	DDK		
		1	T			ED0	DDK		
11	04741144	1	J, U			ED0	DDK		BOLT, Hex Head
		1	T			ED0	DDK		
12	04886153AA	1	J, U			ED0	DDK		SEAL, Shift Lever
		1	T			ED0	DDK		
13	11502628	1	T			ED0	DDK		BOLT, Hex Flange Head, M8x1.25x30
		8	J, U			ED0	DDK		
14	05013336AA	1	J, U			ED0	DDK		SWITCH, Back Up Lamp
		1	T			ED0	DDK		
15	05013319AA	1	J, U			ED0	DDK		VENT, Transmission
		1	T			ED0	DDK		
16	04882280	1	T			ED0	DDK		PLUG, Oil Fill
17	05013321AA	1	J, U			ED0	DDK		PIN, Detent
		1	T			ED0	DDK		
18	05013339AA	1	J, U			ED0	DDK		PLUG, Shift Rail
		1	T			ED0	DDK		
19	05093217AA	1	J, U			ED0	DDK		SPRING, Shift Detent
		1	T			ED0	DDK		

LIBERTY (KJ)

SERIES LINE
P = Limited J = LHD (4WD)
H = Sport U = RHD (4WD)
M = Renegade T = LHD (2WD)

BODY
74 = 4 Door (104.3 WB)

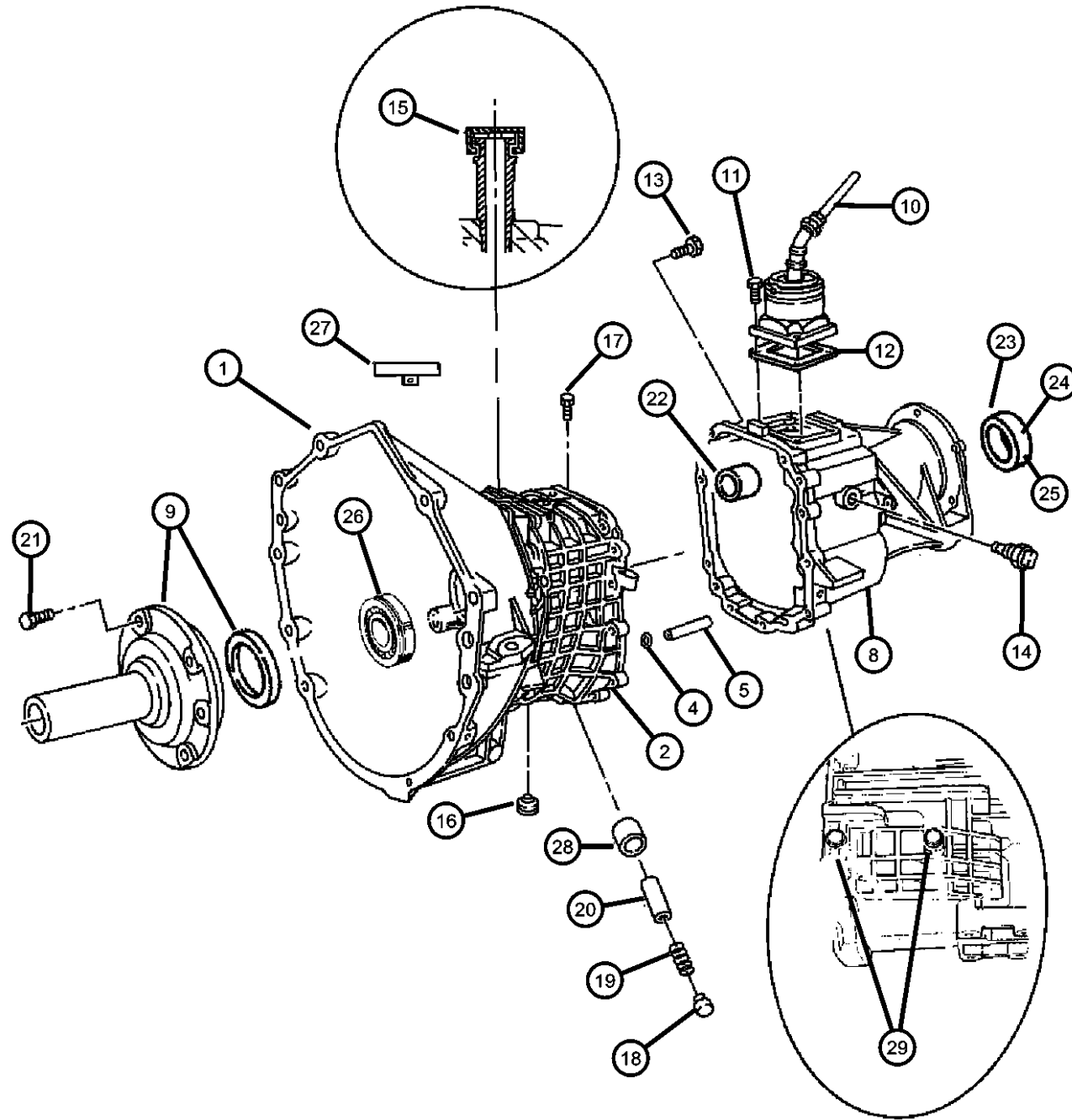
ENGINE
ED1 = Engine - 2.4L 4 Cyl DOHC 16v SMPI
EKG = Engine - 3.7L V6
ENJ = Engine -2.5L 4 Cyl 16v Turbo Diesel
ENR = Engine - 2.8L 4 Cyl Turbo Diesel
EN0 = 4Cyl Turbo Diesel
EK0 = All 3.7L
ED0 = All 2.4L

TRANSMISSION
DDD = Transmission - 5-Speed HD Manual
DDK = Transmission - 5-Speed HD Manual
DG4 = Transmission-Multi-Speed Auto, 45RFE
DG6 = Transmission-4-Spd. Automatic, 42RLE
DGQ = Transmission-5-Spd Automatic 5-45RFE
DBB = All Manual Transmissions
DG0 = All Automatic Transmissions

AR = use ase required - = Non illustrated part

2004 KJ

Case and Extension [NV 1500] [DDK]
Figure NV1500-210



ITEM	PART NUMBER	QTY	LINE	SERIES	BODY	ENGINE	TRANS	TRIM	DESCRIPTION
20									PLUNGER
	05013348AA	1	J, U			EN0	DDD		
	05015949AA	1	J, U			ED0	DDK		
		1	T			ED0	DDK		
21									BOLT, Hex Head, M8x1.25x50
	04741123	1	T			ED0	DDK		
		8	J, U			ED0	DDK		
22		8							BEARING, Ball, (NOT SERVICED)
23	05013334AA	1	T			ED0	DDK		SEAL, Output Shaft
24	05013332AA	1	T			ED0	DDK		SEAL, Extension Yoke
25	05013333AA	1	J, U			ED0	DDK		SEAL, Adapter
26	05013411AA	1	T			ED0	DDK		BEARING, Input Shaft
27									VENT, Transmission
	05013319AA	1	J, U			ED0	DDK		
		1	T			ED0	DDK		
28									BUSHING, Detent
	04740892	1	T			ED0	DDK		
		2	J, U			ED0	DDK		
29									BOLT
	05013329AA	3	J, U			ED0	DDK		
		1	T			ED0	DDK		
-30									MAGNET, Transmission
	05013327AA	1	J, U			ED0	DDK		
		1	T			ED0	DDK		
-31	05013331AA	1	J, U			ED0	DDK		SEAL, O-Ring
-32									RETAINER, Transmission Output Shaft Bearing
	05013328AA	1	J, U			ED0	DDK		
		1	T			ED0	DDK		
-33									O RING

LIBERTY (KJ)

SERIES

P = Limited
H = Sport
M = Renegade

LINE

J = LHD (4WD)
U = RHD (4WD)
T = LHD (2WD)

BODY

74 = 4 Door (104.3 WB)

ENGINE

ED1 = Engine - 2.4L 4 Cyl
DOHC 16v SMPI
EKG = Engine - 3.7L V6
ENJ = Engine -2.5L 4 Cyl 16V
Turbo Diesel
ENR = Engine - 2.8L 4 Cyl
Turbo Diesel
EN0 = 4Cyl Turbo Diesel
EKO = All 3.7L
ED0 = All 2.4L

TRANSMISSION

DDD = Transmission - 5-Speed HD
Manual
DDK = Transmission - 5-Speed HD
Manual
DG4 = Transmission-Multi-Speed
Auto, 45RFE
DG6 = Transmission-4-Spd.
Automatic, 42RLE
DGQ = Transmission-5-Spd Automatic
5-45RFE
DBB = All Manual Transmissions
DG0 = All Automatic Transmissions

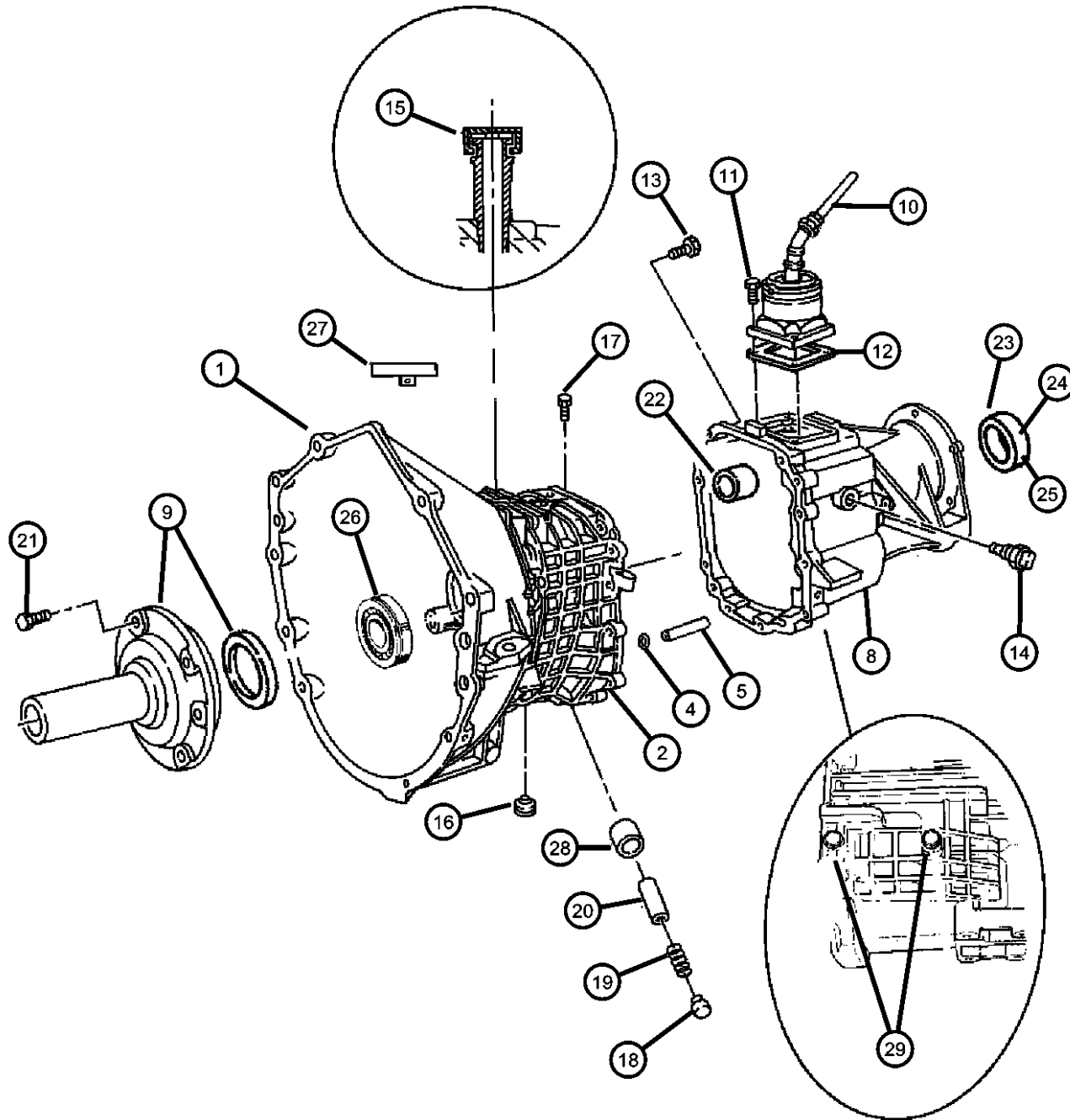
AR = use ase required - = Non illustrated part

2004 KJ

Case and Extension [NV 1500] [DDK]
Figure NV1500-210

ITEM	PART NUMBER	QTY	LINE	SERIES	BODY	ENGINE	TRANS	TRIM	DESCRIPTION
------	-------------	-----	------	--------	------	--------	-------	------	-------------

	05013320AA	1	J, U			ED0	DDK		
		1	T			ED0	DDK		



LIBERTY (KJ)

SERIES	LINE
P = Limited	J = LHD (4WD)
H = Sport	U = RHD (4WD)
M = Renegade	T = LHD (2WD)

BODY
74 = 4 Door (104.3 WB)

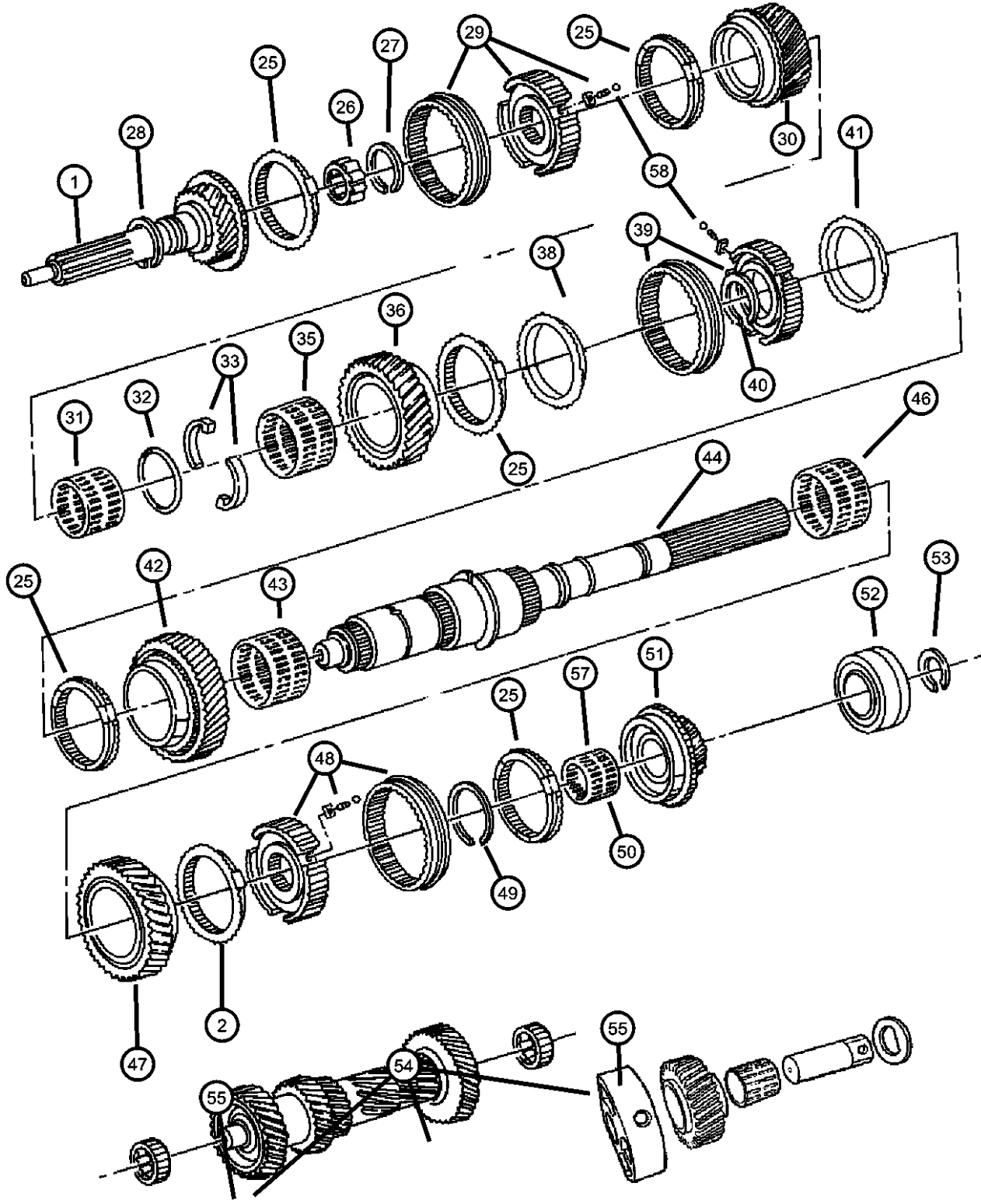
ENGINE
ED1 = Engine - 2.4L 4 Cyl DOHC 16v SMPI
EKG = Engine - 3.7L V6
ENJ = Engine -2.5L 4 Cyl 16V Turbo Diesel
ENR = Engine - 2.8L 4 Cyl Turbo Diesel
ENO = 4Cyl Turbo Diesel
EK0 = All 3.7L
ED0 = All 2.4L

TRANSMISSION
DDD = Transmission - 5-Speed HD Manual
DDK = Transmission - 5-Speed HD Manual
DG4 = Transmission-Multi-Speed Auto, 45RFE
DG6 = Transmission-4-Spd. Automatic, 42RLE
DGQ = Transmission-5-Spd Automatic 5-45RFE
DBB = All Manual Transmissions
DG0 = All Automatic Transmissions

AR = use ase required - = Non illustrated part

2004 KJ

**Gear Train [NV 1500] [DDK]
Figure NV1500-410**



ITEM	PART NUMBER	QTY	LINE	SERIES	BODY	ENGINE	TRANS	TRIM	DESCRIPTION
------	-------------	-----	------	--------	------	--------	-------	------	-------------

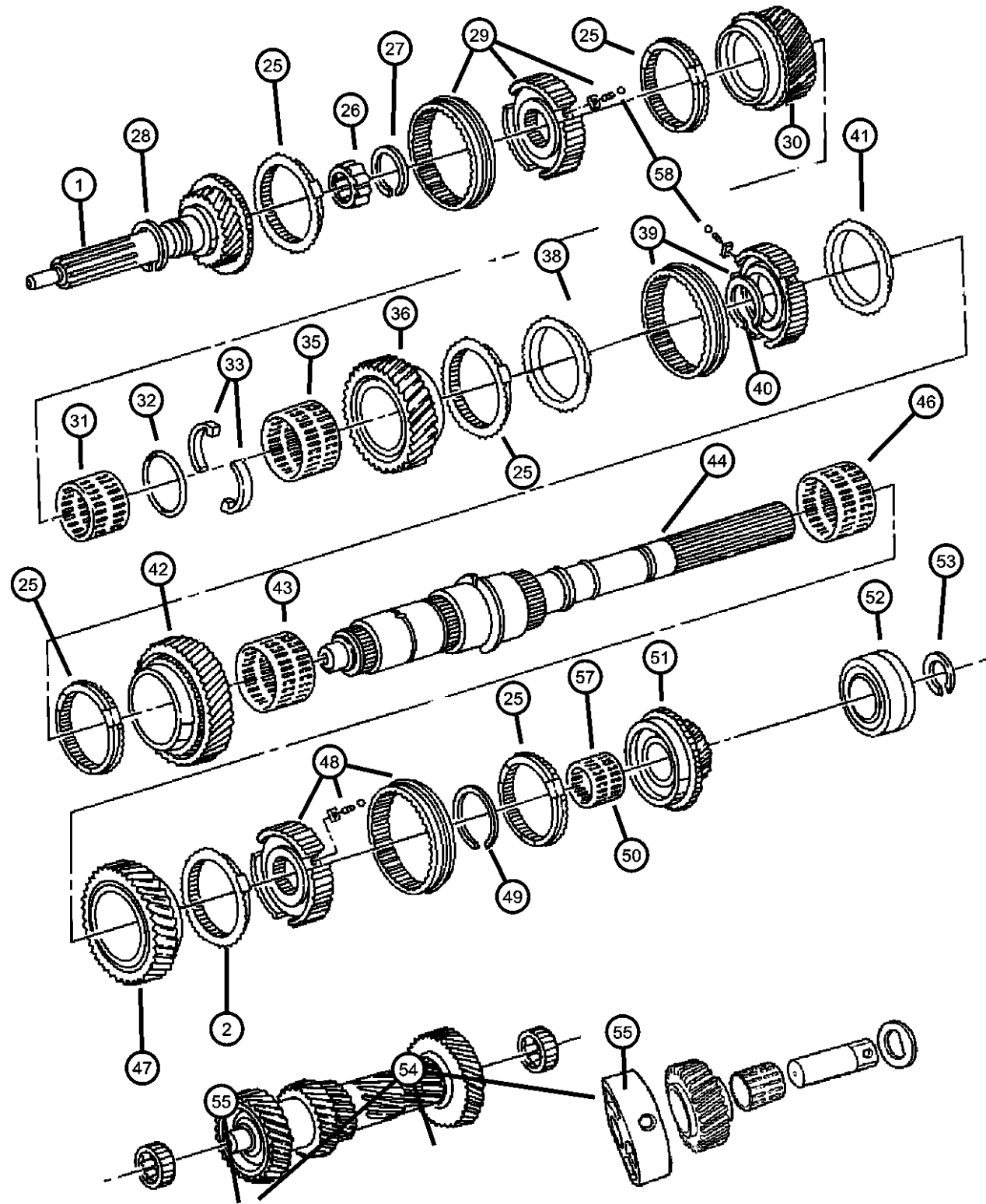
NOTE: Sales Codes
 [DDK] = 5 Speed Heavy Duty Manual Transmissions
 [ED0] = All 2.2,2.5,2.4 L 4 Cylinder Gas Engines

1	05013409AA	1	J, U			ED0	DDK		SHAFT, Input
		1	T			ED0	DDK		
2	05013411AA	1	J, U			ED0	DDK		BEARING, Input Shaft
		1	T			ED0	DDK		
-3	04202751	1	J, U			ED0	DDK		SPACER, Input Shaft, 0.62mm(.024")
		1	T			ED0	DDK		
-4	04202301	1	J, U			ED0	DDK		SPACER, Input Shaft, 0.66mm(.026")
		1	T			ED0	DDK		
-5	04202302	1	J, U			ED0	DDK		SPACER, Input Shaft, 0.70mm(.028")
		1	T			ED0	DDK		
-6	04202303	1	J, U			ED0	DDK		SPACER, Input Shaft, 0.74mm(.029")
		1	T			ED0	DDK		
-7	04202304	1	J, U			ED0	DDK		SPACER, Input Shaft, 0.78mm(.031")
		1	T			ED0	DDK		
-8	04202307	1	T			ED0	DDK		SPACER, Input Shaft, 0.90mm(.035")
		1	J, U			ED0	DDK		
-9									SPACER, Input Shaft, 0.94mm(.037")

LIBERTY (KJ)								
SERIES	LINE		BODY		ENGINE		TRANSMISSION	
P = Limited	J = LHD (4WD)		74 = 4 Door (104.3 WB)		ED1 = Engine - 2.4L 4 Cyl DOHC 16v SMPI		DDD = Transmission - 5-Speed HD Manual	
H = Sport	U = RHD (4WD)				EKG = Engine - 3.7L V6		DDK = Transmission - 5-Speed HD Manual	
M = Renegade	T = LHD (2WD)				ENJ = Engine -2.5L 4 Cyl 16V Turbo Diesel		DG4 = Transmission-Multi-Speed Auto, 45RFE	
					ENR = Engine - 2.8L 4 Cyl Turbo Diesel		DG6 = Transmission-4-Spd. Automatic, 42RLE	
					ENO = 4Cyl Turbo Diesel		DGQ = Transmission-5-Spd Automatic 5-45RFE	
					EKO = All 3.7L		DBB = All Manual Transmissions	
					ED0 = All 2.4L		DG0 = All Automatic Transmissions	

AR = use ase required - = Non illustrated part

**Gear Train [NV 1500] [DDK]
Figure NV1500-410**



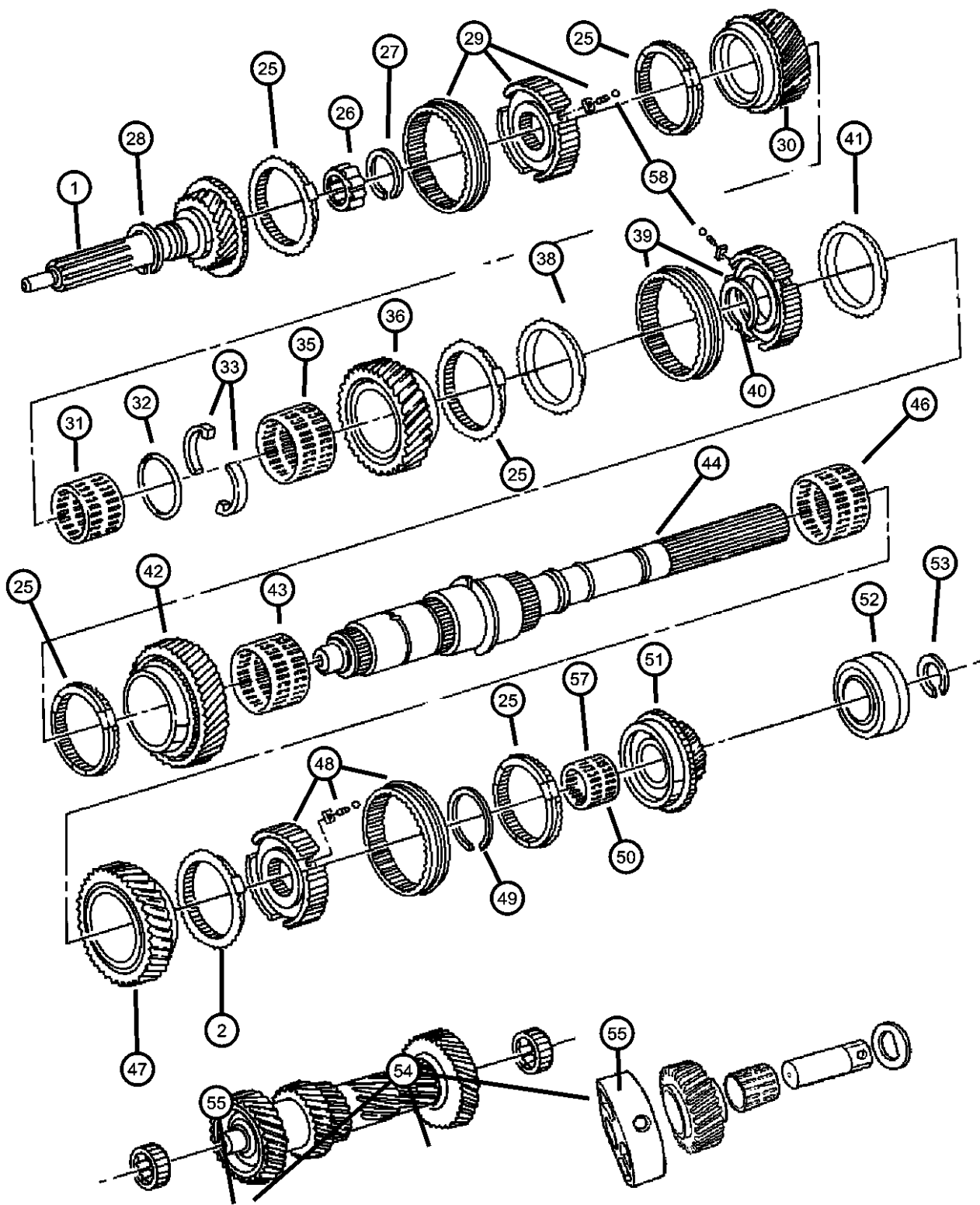
ITEM	PART NUMBER	QTY	LINE	SERIES	BODY	ENGINE	TRANS	TRIM	DESCRIPTION
	04202308	1	J, U			ED0	DDK		
		1	T			ED0	DDK		
-10									SPACER, Input Shaft, 0.98mm(.039")
	04202309	1	J, U			ED0	DDK		
		1	T			ED0	DDK		
-11									SPACER, Input Shaft, 1.02mm(.040")
	04202310	1	J, U			ED0	DDK		
		1	T			ED0	DDK		
-12									SPACER, Input Shaft, 1.06mm(.042")
	04202311	1	J, U			ED0	DDK		
		1	T			ED0	DDK		
-13									SPACER, Input Shaft, 1.10mm(.043")
	04202312	1	J, U			ED0	DDK		
		1	T			ED0	DDK		
-14									SPACER, Input Shaft, 1.14mm(.045")
	04202313	1	J, U			ED0	DDK		
		1	T			ED0	DDK		
-15									SPACER, Input Shaft, 1.18mm(.046")
	04202314	1	T			ED0	DDK		
		1	J, U			ED0	DDK		
-16									SPACER, Input Shaft, 1.22mm(.048")
	04202315	1	J, U			ED0	DDK		
		1	T			ED0	DDK		
-17									SPACER, Input Shaft, 1.26mm(.050")
	04202316	1	J, U			ED0	DDK		
		1	T			ED0	DDK		

LIBERTY (KJ)

SERIES	LINE	BODY	ENGINE	TRANSMISSION
P = Limited	J = LHD (4WD)	74 = 4 Door (104.3 WB)	ED1 = Engine - 2.4L 4 Cyl DOHC 16v SMPI	DDD = Transmission - 5-Speed HD Manual
H = Sport	U = RHD (4WD)		EKG = Engine - 3.7L V6	DDK = Transmission - 5-Speed HD Manual
M = Renegade	T = LHD (2WD)		ENJ = Engine - 2.5L 4 Cyl 16V Turbo Diesel	DG4 = Transmission-Multi-Speed Auto, 45RFE
			ENR = Engine - 2.8L 4 Cyl Turbo Diesel	DG6 = Transmission-4-Spd. Automatic, 42RLE
			ENO = 4Cyl Turbo Diesel	DGQ = Transmission-5-Spd Automatic 5-45RFE
			EKO = All 3.7L	DBB = All Manual Transmissions
			ED0 = All 2.4L	DG0 = All Automatic Transmissions

AR = use ase required - = Non illustrated part

**Gear Train [NV 1500] [DDK]
Figure NV1500-410**



ITEM	PART NUMBER	QTY	LINE	SERIES	BODY	ENGINE	TRANS	TRIM	DESCRIPTION
-18									SPACER, Input Shaft, 1.30mm(.051")
	04202317	1	J, U			ED0	DDK		
		1	T			ED0	DDK		
-19									SPACER, Input Shaft, 1.34mm(.053")
	04202318	1	J, U			ED0	DDK		
		1	T			ED0	DDK		
-20									SPACER, Input Shaft, 1.38mm(.054")
	04202319	1	J, U			ED0	DDK		
		1	T			ED0	DDK		
-21									SPACER, Input Shaft, 1.42mm(.056")
	04202320	1	J, U			ED0	DDK		
		1	T			ED0	DDK		
-22									SPACER, Input Shaft, 1.46mm(.057")
	04202321	1	J, U			ED0	DDK		
		1	T			ED0	DDK		
-23									SPACER, Input Shaft, 1.50mm(.059")
	04202322	1	J, U			ED0	DDK		
		1	T			ED0	DDK		
-24									SPACER, Input Shaft, 1.54mm(.061")
	04202323	1	J, U			ED0	DDK		
		1	T			ED0	DDK		
25									RING, Synchronizer Blocker
	05013366AA	1	J, U			ED0	DDK		
		1	T			ED0	DDK		
26									NEEDLE BEARING, Input Shaft
	05013410AA	1	J, U			ED0	DDK		
		1	T			ED0	DDK		

LIBERTY (KJ)

SERIES

P = Limited
H = Sport
M = Renegade

LINE

J = LHD (4WD)
U = RHD (4WD)
T = LHD (2WD)

BODY

74 = 4 Door (104.3 WB)

ENGINE

ED1 = Engine - 2.4L 4 Cyl
DOHC 16v SMPI
EKG = Engine - 3.7L V6
ENJ = Engine -2.5L 4 Cyl 16V
Turbo Diesel
ENR = Engine - 2.8L 4 Cyl
Turbo Diesel
ENO = 4Cyl Turbo Diesel
EKO = All 3.7L
ED0 = All 2.4L

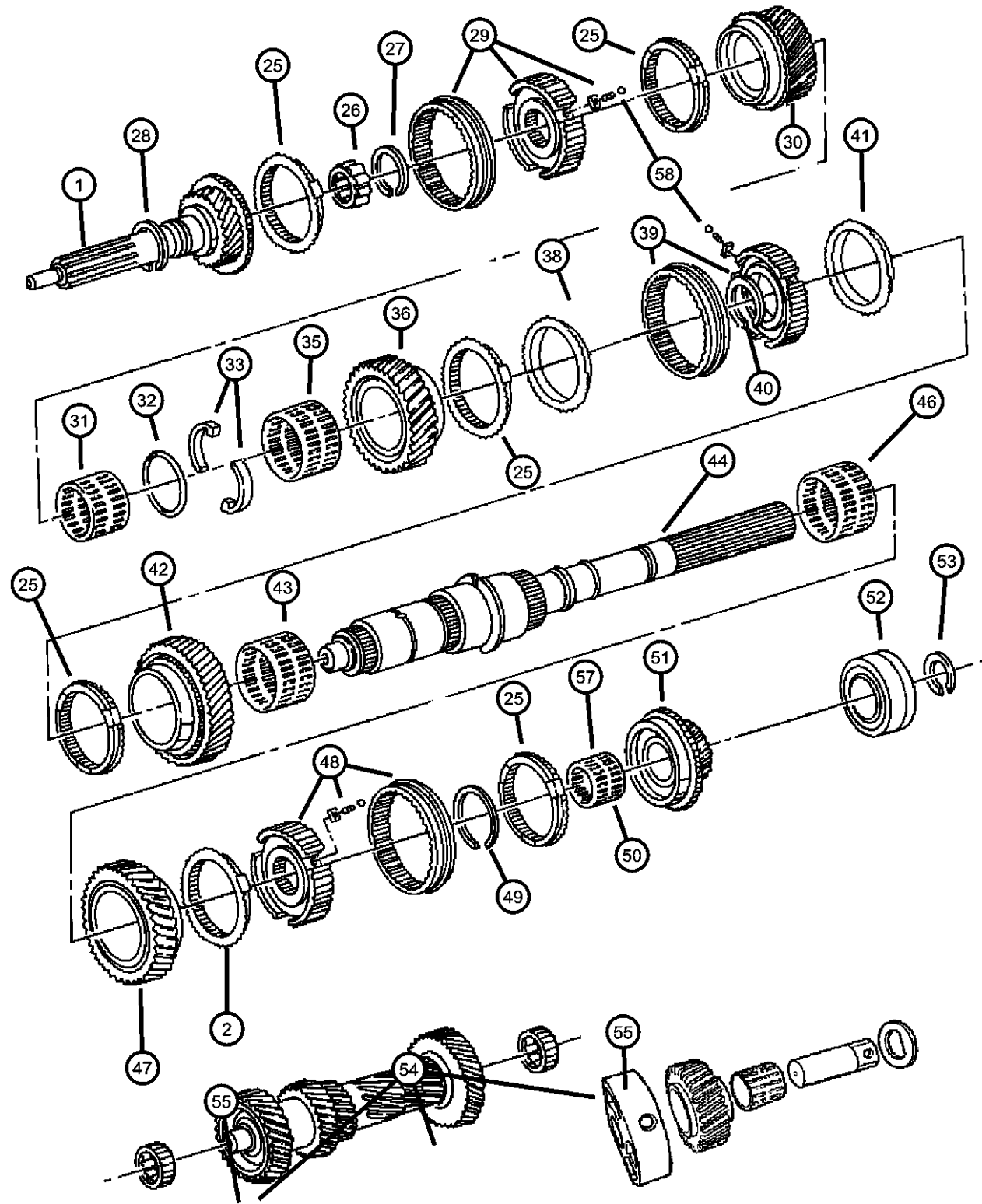
TRANSMISSION

DDD = Transmission - 5-Speed HD
Manual
DDK = Transmission - 5-Speed HD
Manual
DG4 = Transmission-Multi-Speed
Auto, 45RFE
DG6 = Transmission-4-Spd.
Automatic, 42RLE
DGQ = Transmission-5-Spd Automatic
5-45RFE
DBB = All Manual Transmissions
DG0 = All Automatic Transmissions

AR = use ase required - = Non illustrated part

2004 KJ

**Gear Train [NV 1500] [DDK]
Figure NV1500-410**



ITEM	PART NUMBER	QTY	LINE	SERIES	BODY	ENGINE	TRANS	TRIM	DESCRIPTION
27	05013318AB	1	J, U			ED0	DDK		SNAP RING PACKAGE, Fifth Gear
		1	T			ED0	DDK		
28	05013379AA	1	J, U			ED0	DDK		RING, Snap
		1	T			ED0	DDK		
29	05013367AA	1	J, U			ED0	DDK		SYNCHRONIZER, Fifth And Reverse
		1	T			ED0	DDK		
30	05018679AA	1	J, U			ED0	DDK		GEAR, Third
		1	T			ED0	DDK		
31	05013365AA	3	J, U			ED0	DDK		BEARING, Needle
		3	T			ED0	DDK		
32	05013397AA	1	J, U			ED0	DDK		SNAP RING
		1	T			ED0	DDK		
33	05013398AA	2	J, U			ED0	DDK		WASHER, Output Shaft
		2	T			ED0	DDK		
-34	05013378AA	1	J, U			ED0	DDK		PIN
		1	T			ED0	DDK		
35	05013365AA	3	J, U			ED0	DDK		BEARING, Needle
		3	T			ED0	DDK		
36	05013395AA	1	J, U			ED0	DDK		GEAR, Second

LIBERTY (KJ)

SERIES

P = Limited
H = Sport
M = Renegade

LINE

J = LHD (4WD)
U = RHD (4WD)
T = LHD (2WD)

BODY

74 = 4 Door (104.3 WB)

ENGINE

ED1 = Engine - 2.4L 4 Cyl
DOHC 16v SMPI
EKG = Engine - 3.7L V6
ENJ = Engine -2.5L 4 Cyl 16V
Turbo Diesel
ENR = Engine - 2.8L 4 Cyl
Turbo Diesel
ENO = 4Cyl Turbo Diesel
EKO = All 3.7L
ED0 = All 2.4L

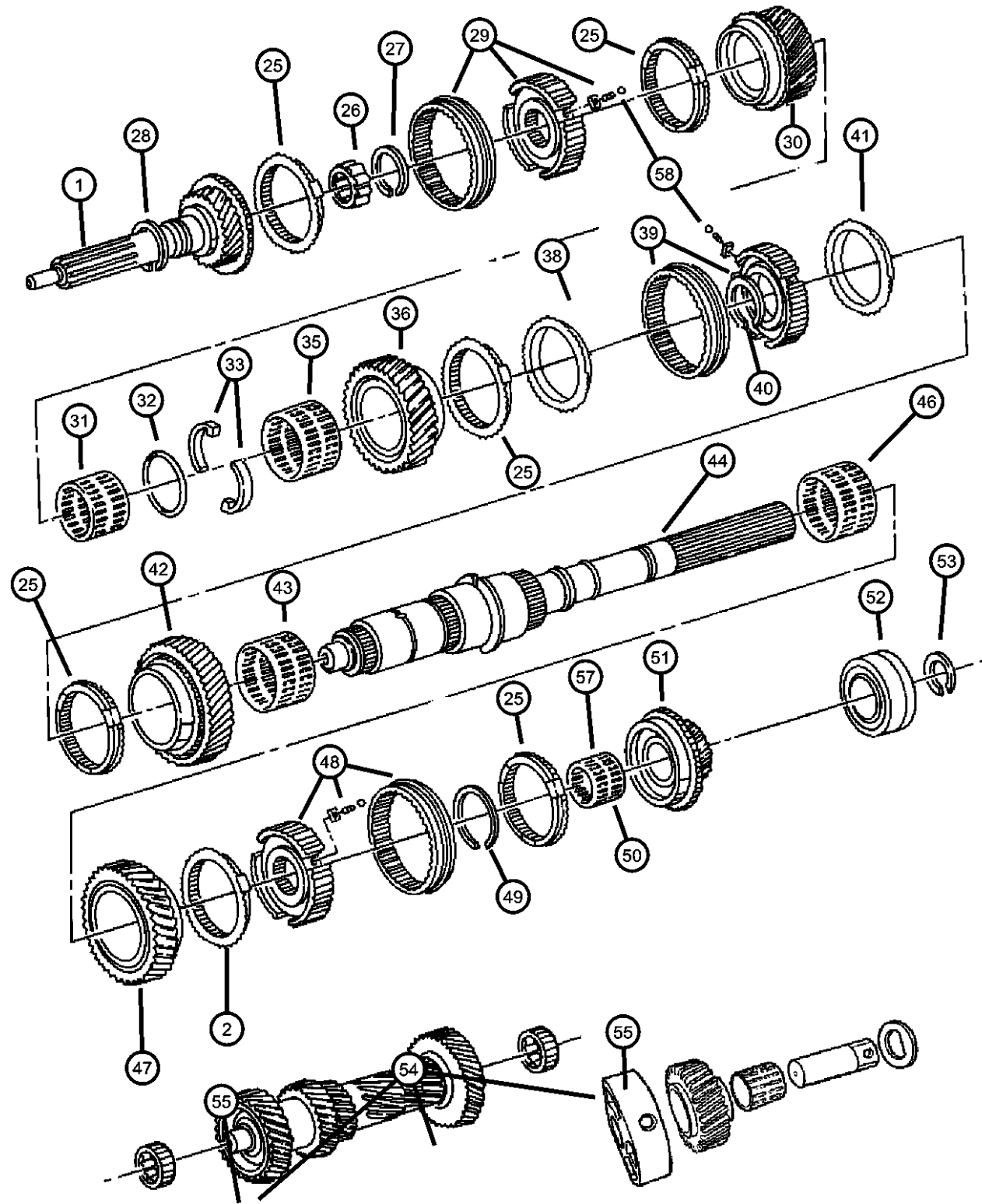
TRANSMISSION

DDD = Transmission - 5-Speed HD
Manual
DDK = Transmission - 5-Speed HD
Manual
DG4 = Transmission-Multi-Speed
Auto, 45RFE
DG6 = Transmission-4-Spd.
Automatic, 42RLE
DGQ = Transmission-5-Spd Automatic
5-45RFE
DBB = All Manual Transmissions
DG0 = All Automatic Transmissions

AR = use ase required - = Non illustrated part

2004 KJ

**Gear Train [NV 1500] [DDK]
Figure NV1500-410**



ITEM	PART NUMBER	QTY	LINE	SERIES	BODY	ENGINE	TRANS	TRIM	DESCRIPTION
-37	05013390AA	1	T			ED0	DDK		SNAP RING PACKAGE, Transmission
38	05013385AB	2	J, U			ED0	DDK		RING, 1st and 2nd Speed Blocker
39	05013386AA	1	J, U			ED0	DDK		SYNCHRONIZER, First and Second
40	05013390AA	1	T			ED0	DDK		SNAP RING PACKAGE, Transmission
41	05013385AB	2	J, U			ED0	DDK		RING, 1st and 2nd Speed Blocker
42	05013380AA	1	J, U			ED0	DDK		GEAR, First
43	05013381AA	1	J, U			ED0	DDK		BEARING, First Gear
44	05013360AA	1	T			ED0	DDK		SHAFT, Output
-45	05018675AA	1	J, U			ED0	DDK		RETAINER, Transmission Output Shaft Bearing
46	05013328AA	1	J, U			ED0	DDK		BEARING, Needle
47	05013365AA	3	J, U			ED0	DDK		GEAR, Reverse

LIBERTY (KJ)

SERIES LINE
 P = Limited J = LHD (4WD)
 H = Sport U = RHD (4WD)
 M = Renegade T = LHD (2WD)

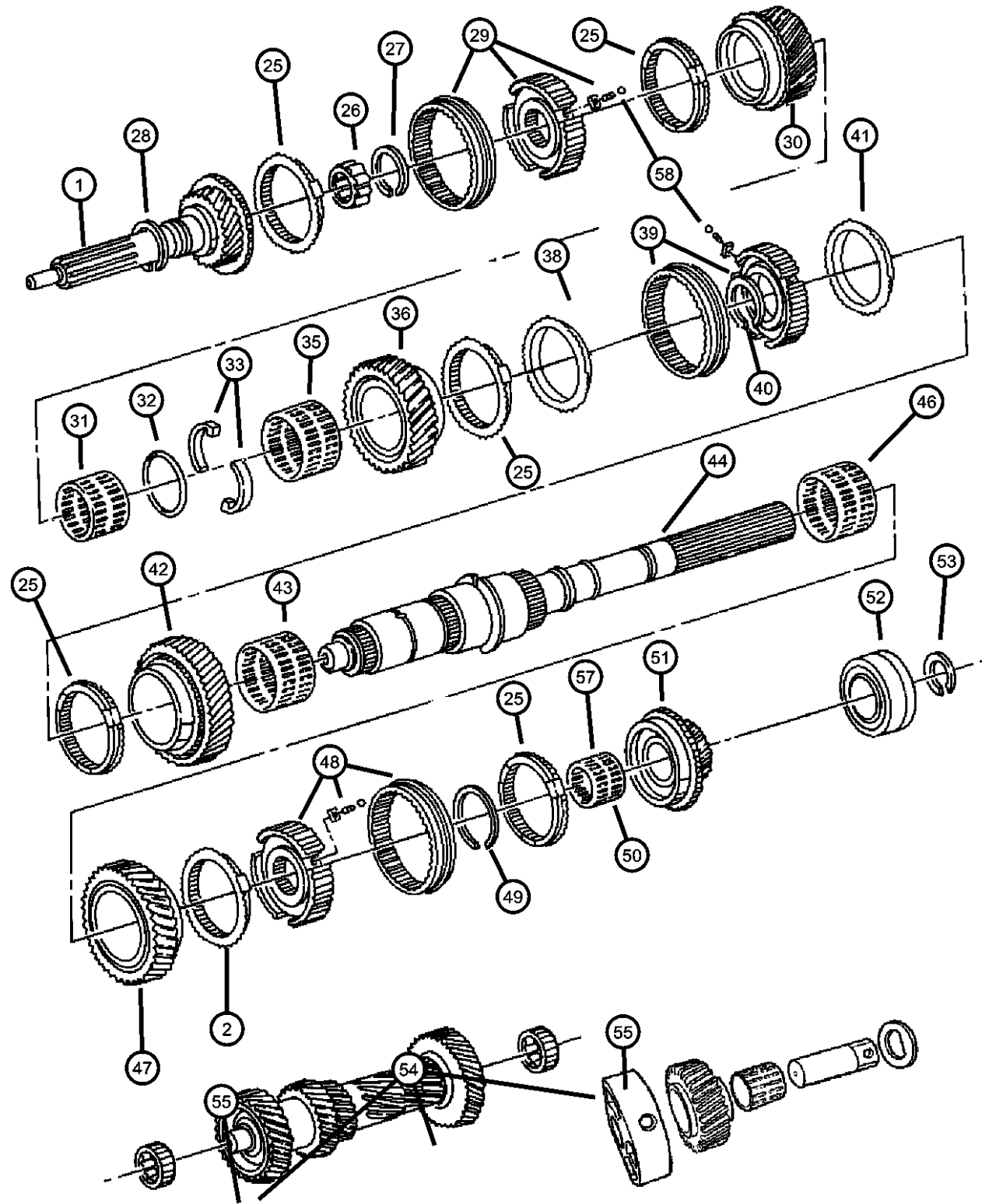
BODY
 74 = 4 Door (104.3 WB)

ENGINE
 ED1 = Engine - 2.4L 4 Cyl DOHC 16v SMPI
 EKG = Engine - 3.7L V6
 ENJ = Engine -2.5L 4 Cyl 16v Turbo Diesel
 ENR = Engine - 2.8L 4 Cyl Turbo Diesel
 EN0 = 4Cyl Turbo Diesel
 EK0 = All 3.7L
 ED0 = All 2.4L

TRANSMISSION
 DDD = Transmission - 5-Speed HD Manual
 DDK = Transmission - 5-Speed HD Manual
 DG4 = Transmission-Multi-Speed Auto, 45RFE
 DG6 = Transmission-4-Spd. Automatic, 42RLE
 DGQ = Transmission-5-Spd Automatic 5-45RFE
 DBB = All Manual Transmissions
 DG0 = All Automatic Transmissions

AR = use ase required - = Non illustrated part

**Gear Train [NV 1500] [DDK]
Figure NV1500-410**



ITEM	PART NUMBER	QTY	LINE	SERIES	BODY	ENGINE	TRANS	TRIM	DESCRIPTION
	05013364AA	1	J, U			ED0	DDK		
		1	T			ED0	DDK		
48									SYNCHRONIZER, Fifth And Reverse
	05013367AA	2	J, U			ED0	DDK		
		2	T			ED0	DDK		
49									SNAP RING PACKAGE, Fifth Gear
	05013318AB	1	J, U			ED0	DDK		
		1	T			ED0	DDK		
50									BEARING, Needle
	05013375AA	1	J, U			ED0	DDK		
		1	T			ED0	DDK		
51									GEAR, Fifth
	05013373AA	1	J, U			ED0	DDK		
		1	T			ED0	DDK		
52									BEARING, Output Shaft
	05013376AA	1	J, U			ED0	DDK		
		1	T			ED0	DDK		
53									SNAP RING, Output Shaft Bearing
	05013377AA	1	J, U			ED0	DDK		
		1	T			ED0	DDK		
54									SHAFT, Counter
	05013414AA	1	J, U			ED0	DDK		
		1	T			ED0	DDK		
55									CONE ASSEMBLY, Countershaft
	05013416AA	2	J, U			ED0	DDK		
		2	T			ED0	DDK		
-56									CUP, Bearing Inner
	05013313AA	1	J, U			ED0	DDK		
		1	T			ED0	DDK		

LIBERTY (KJ)

SERIES

P = Limited
H = Sport
M = Renegade

LINE

J = LHD (4WD)
U = RHD (4WD)
T = LHD (2WD)

BODY

74 = 4 Door (104.3 WB)

ENGINE

ED1 = Engine - 2.4L 4 Cyl
DOHC 16v SMPI
EKG = Engine - 3.7L V6
ENJ = Engine -2.5L 4 Cyl 16V
Turbo Diesel
ENR = Engine - 2.8L 4 Cyl
Turbo Diesel
ENO = 4Cyl Turbo Diesel
EKO = All 3.7L
ED0 = All 2.4L

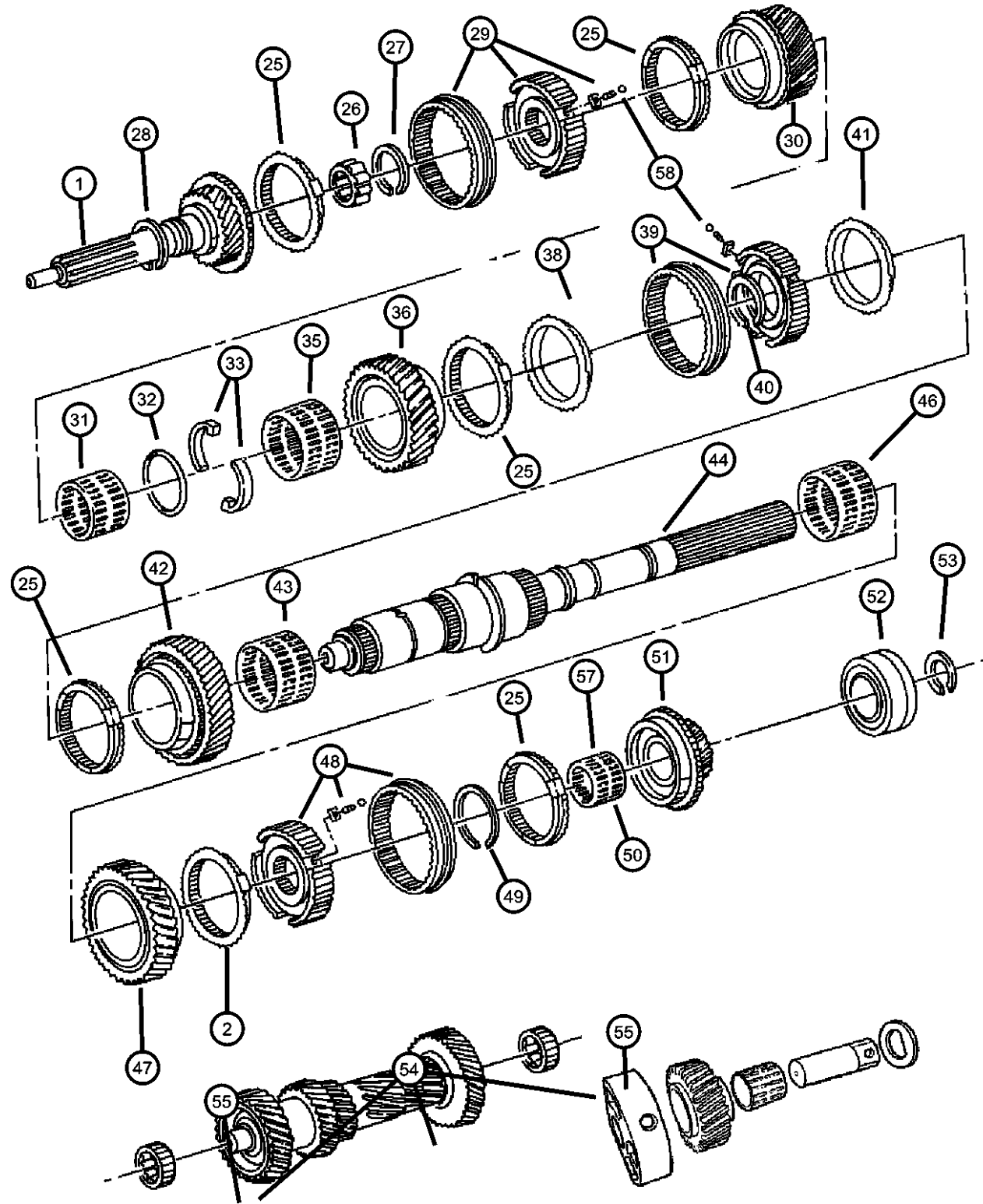
TRANSMISSION

DDD = Transmission - 5-Speed HD
Manual
DDK = Transmission - 5-Speed HD
Manual
DG4 = Transmission-Multi-Speed
Auto, 45RFE
DG6 = Transmission-4-Spd.
Automatic, 42RLE
DGQ = Transmission-5-Spd Automatic
5-45RFE
DBB = All Manual Transmissions
DG0 = All Automatic Transmissions

AR = use ase required - = Non illustrated part

2004 KJ

**Gear Train [NV 1500] [DDK]
Figure NV1500-410**



ITEM	PART NUMBER	QTY	LINE	SERIES	BODY	ENGINE	TRANS	TRIM	DESCRIPTION
-57									SHIM PACKAGE, Countershaft
	04419650	1	J, U			ED0	DDK		
		1	T			ED0	DDK		
58									BEARING, Idler
	05013417AA	1	J, U			ED0	DDK		
		1	T			ED0	DDK		
59									BALL, Shift Lever, M5
	04741136	3	T			ED0	DDK		
		3	J, U			ED0	DDK		
-60									SPRING, Synchronizer
	05080807AA	3	J, U			ED0	DDK		
		3	T			ED0	DDK		

LIBERTY (KJ)

SERIES

P = Limited
H = Sport
M = Renegade

LINE

J = LHD (4WD)
U = RHD (4WD)
T = LHD (2WD)

BODY

74 = 4 Door (104.3 WB)

ENGINE

ED1 = Engine - 2.4L 4 Cyl
DOHC 16v SMPI
EKG = Engine - 3.7L V6
ENJ = Engine -2.5L 4 Cyl 16V
Turbo Diesel
ENR = Engine - 2.8L 4 Cyl
Turbo Diesel
ENO = 4Cyl Turbo Diesel
EKO = All 3.7L
ED0 = All 2.4L

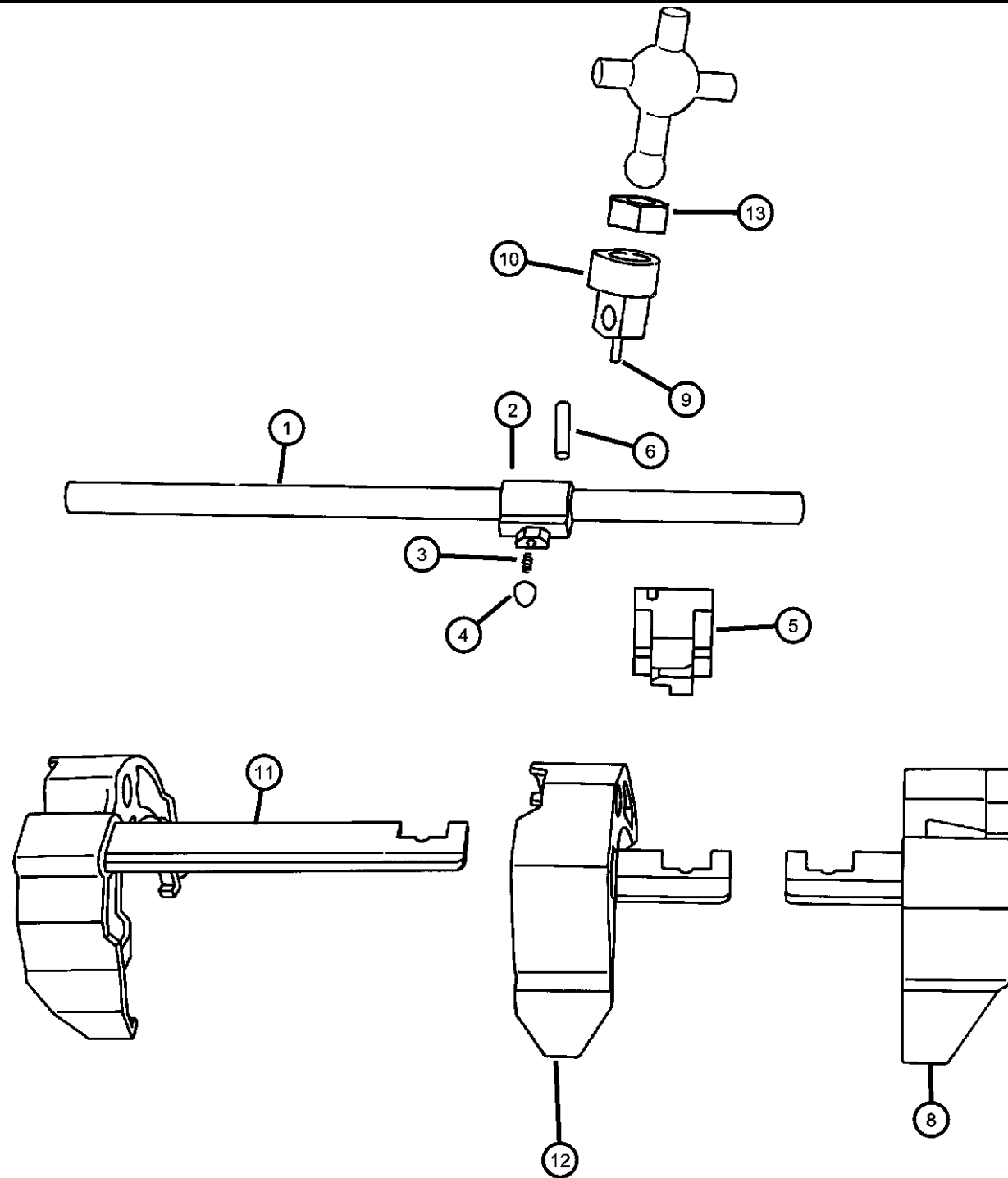
TRANSMISSION

DDD = Transmission - 5-Speed HD
Manual
DDK = Transmission - 5-Speed HD
Manual
DG4 = Transmission-Multi-Speed
Auto, 45RFE
DG6 = Transmission-4-Spd.
Automatic, 42RLE
DGQ = Transmission-5-Spd Automatic
5-45RFE
DBB = All Manual Transmissions
DG0 = All Automatic Transmissions

AR = use ase required - = Non illustrated part

2004 KJ

Fork and Rail [NV 1500] [DDK]
Figure NV1500-910



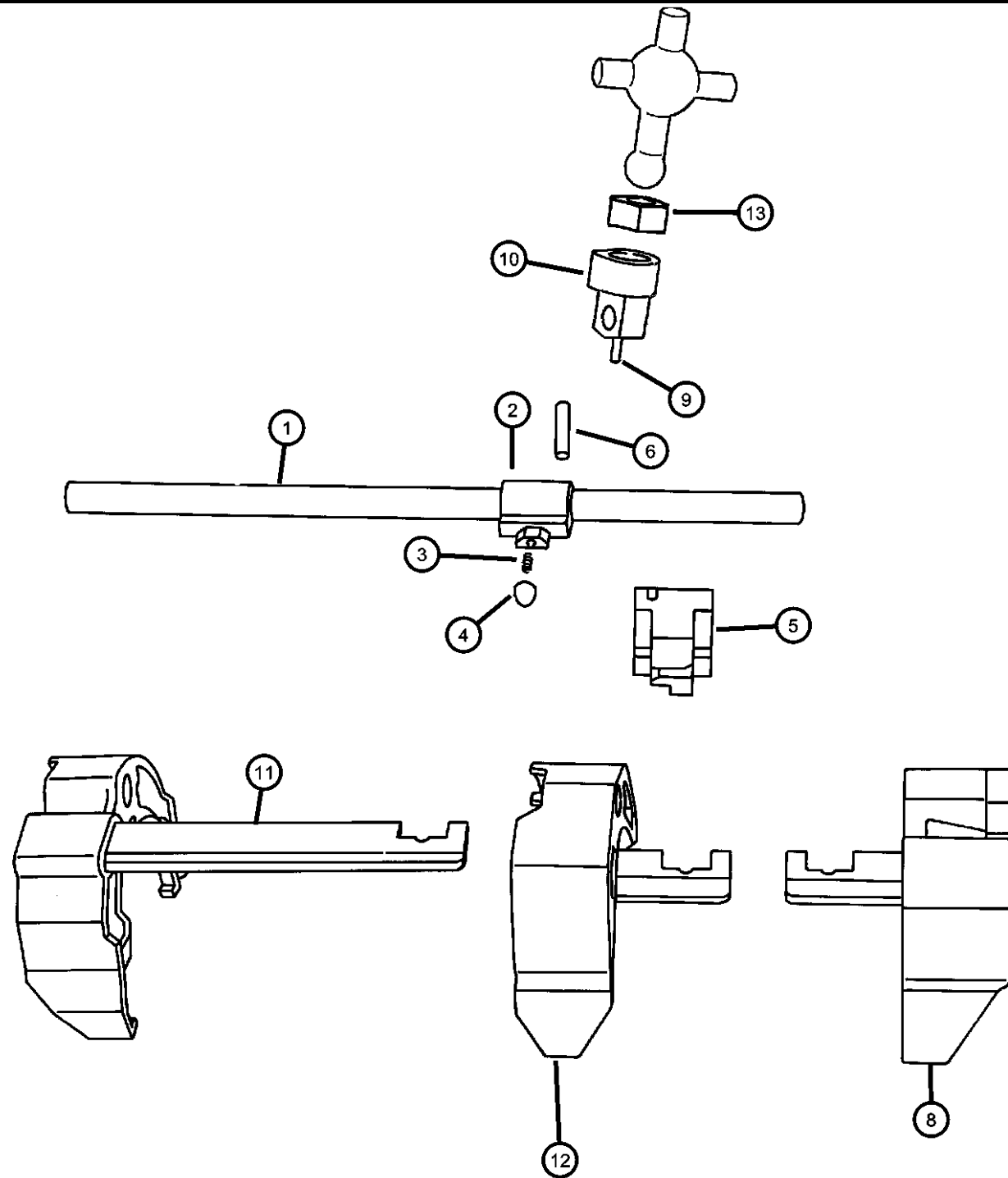
ITEM	PART NUMBER	QTY	LINE	SERIES	BODY	ENGINE	TRANS	TRIM	DESCRIPTION
NOTE: Sales Codes [DDK] = 5 Speed Heavy Duty Manual Transmissions [ED0] = All 2.2,2.5,2.4 L 4 Cylinder Gas Engines									
1	05072116AA	1	J, U			ED0	DDK		SHAFT, Shift Lever
		1	T			ED0	DDK		
2	05016504AA	1	J, U			ED0	DDK		LEVER, Shift Shaft
		1	T			ED0	DDK		
3		1							SPRING, Lever, (NOT REQUIRED)
4	05015949AA	1	J, U			ED0	DDK		PLUNGER
		1	T			ED0	DDK		
5	05013350AA	1	J, U			ED0	DDK		BUSHING, Transmission
		1	T			ED0	DDK		
6	04741139	1	J, U			ED0	DDK		PIN, Shift Shaft
		1	T			ED0	DDK		
-7	04741139	1	J, U			ED0	DDK		PIN, Shift Shaft
		1	T			ED0	DDK		
8	05013344AA	1	J, U			ED0	DDK		FORK, Third and Fourth
		1	T			ED0	DDK		
9	04741139	1	J, U			ED0	DDK		PIN, Shift Shaft
		1	T			ED0	DDK		
10	04874352	1	J, U			ED0	DDK		SOCKET, Shift Shaft
		1	T			ED0	DDK		

LIBERTY (KJ)

SERIES	LINE	BODY	ENGINE	TRANSMISSION
P = Limited	J = LHD (4WD)	74 = 4 Door (104.3 WB)	ED1 = Engine - 2.4L 4 Cyl DOHC 16v SMPI	DDD = Transmission - 5-Speed HD Manual
H = Sport	U = RHD (4WD)		EKG = Engine - 3.7L V6	DDK = Transmission - 5-Speed HD Manual
M = Renegade	T = LHD (2WD)		ENJ = Engine -2.5L 4 Cyl 16v Turbo Diesel	DG4 = Transmission-Multi-Speed Auto, 45RFE
			ENR = Engine - 2.8L 4 Cyl Turbo Diesel	DG6 = Transmission-4-Spd. Automatic, 42RLE
			ENO = 4Cyl Turbo Diesel	DGQ = Transmission-5-Spd Automatic 5-45RFE
			EK0 = All 3.7L	DBB = All Manual Transmissions
			ED0 = All 2.4L	DG0 = All Automatic Transmissions

AR = use ase required - = Non illustrated part

Fork and Rail [NV 1500] [DDK]
Figure NV1500-910



ITEM	PART NUMBER	QTY	LINE	SERIES	BODY	ENGINE	TRANS	TRIM	DESCRIPTION
11	05013345AA	1	J, U			ED0	DDK		FORK, Fifth Shift
		1	T			ED0	DDK		
12	05013343AA	1	J, U			ED0	DDK		FORK, First and Second
		1	T			ED0	DDK		
13	05012020AA	1	J, U			ED0	DDK		ISOLATOR, Shift Lever
		1	T			ED0	DDK		
-14	04740892	1	T			ED0	DDK		BUSHING, Detent
		2	J, U			ED0	DDK		

LIBERTY (KJ)

SERIES LINE
P = Limited J = LHD (4WD)
H = Sport U = RHD (4WD)
M = Renegade T = LHD (2WD)

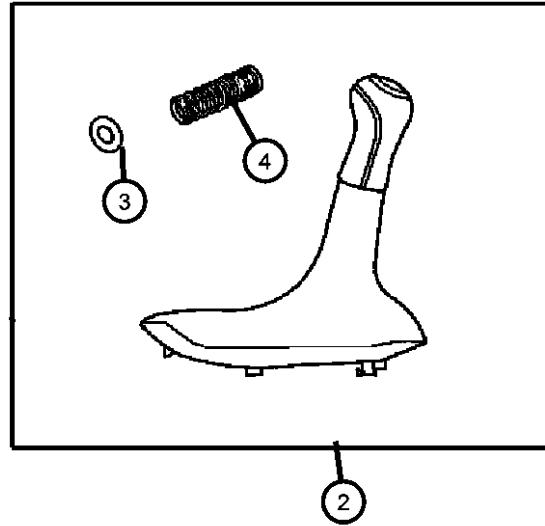
BODY
74 = 4 Door (104.3 WB)

ENGINE
ED1 = Engine - 2.4L 4 Cyl
DOHC 16v SMPI
EKG = Engine - 3.7L V6
ENJ = Engine -2.5L 4 Cyl 16V
Turbo Diesel
ENR = Engine - 2.8L 4 Cyl
Turbo Diesel
ENO = 4Cyl Turbo Diesel
EKO = All 3.7L
EDO = All 2.4L

TRANSMISSION
DDD = Transmission - 5-Speed HD
Manual
DDK = Transmission - 5-Speed HD
Manual
DG4 = Transmission-Multi-Speed
Auto, 45RFE
DG6 = Transmission-4-Spd.
Automatic, 42RLE
DGQ = Transmission-5-Spd Automatic
5-45RFE
DBB = All Manual Transmissions
DG0 = All Automatic Transmissions

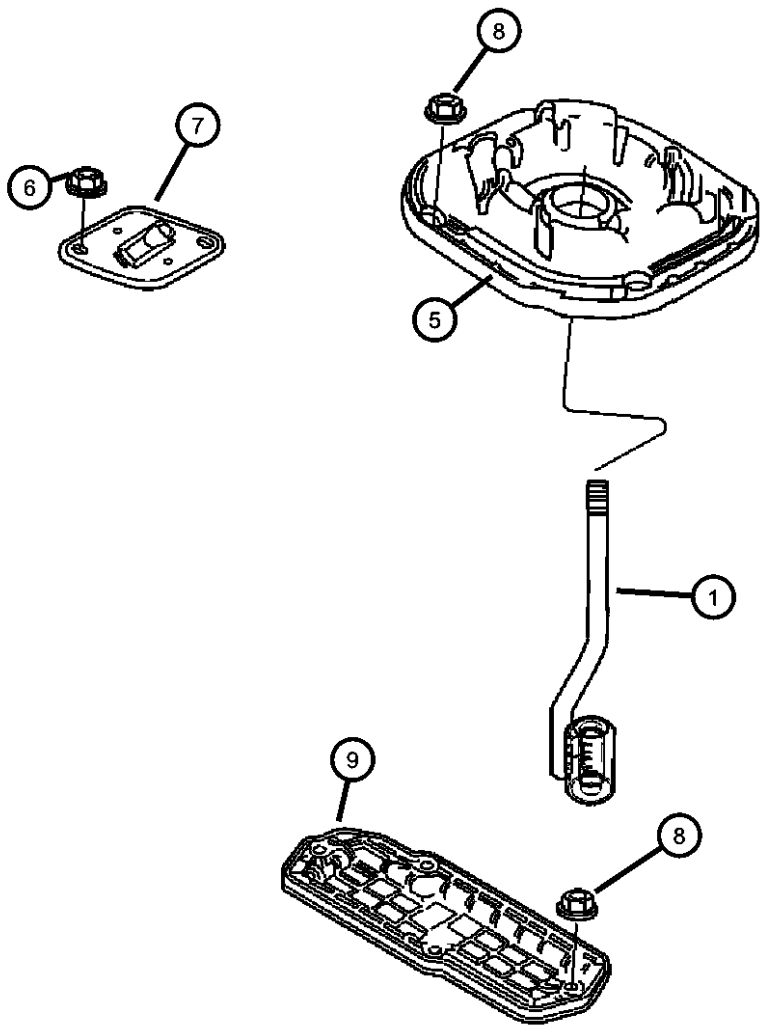
**Gearshift Controls [DDK]
Figure NV1500-1210**

ITEM	PART NUMBER	QTY	LINE	SERIES	BODY	ENGINE	TRANS	TRIM	DESCRIPTION
------	-------------	-----	------	--------	------	--------	-------	------	-------------



NOTE: Sales Codes
 [DBB] = All Manual Transmissions
 [ED0] = All 4 Cylinder Gas Engines
 [EK0] = All 3.7L 6 Cylinder Gas Engines
 [EN0] = All 4/5 Cylinder Turbo Diesel

1	05102826AA	1					DBB		LEVER, Gearshift
2	05102830AA	1					DBB		BOOT KIT, Gearshift
3	05102828AA	1					DBB		SPRING, Gearshift Lever
4	05102827AA	1					DBB		O RING, Gearshift Boot
5	52104306AB	1				ED0, EK0, EN0	DBB		BOOT, Gearshift Lever
6	06100047	2							NUT AND WASHER, Hex Nut-Coned Washer, M6 x 1.00
7	52104382AA	1					DBB		COVER, Gearshift
8									NUT AND WASHER, Hex Nut-Sealing Washer, M6 x 1.00
	34201358	4					DBB		
		4							
9	52104321AA	1	T						COVER, Transfer Case Lever Hole
-10	06506668AA	1					DBB		SCREW, Cap, Trans Gear Shift Control Lever



LIBERTY (KJ)

SERIES	LINE
P = Limited	J = LHD (4WD)
H = Sport	U = RHD (4WD)
M = Renegade	T = LHD (2WD)

BODY
74 = 4 Door (104.3 WB)

ENGINE
 ED1 = Engine - 2.4L 4 Cyl
 DOHC 16v SMPI
 EKG = Engine - 3.7L V6
 ENJ = Engine -2.5L 4 Cyl 16V
 Turbo Diesel
 ENR = Engine - 2.8L 4 Cyl
 Turbo Diesel
 EN0 = 4Cyl Turbo Diesel
 EK0 = All 3.7L
 ED0 = All 2.4L

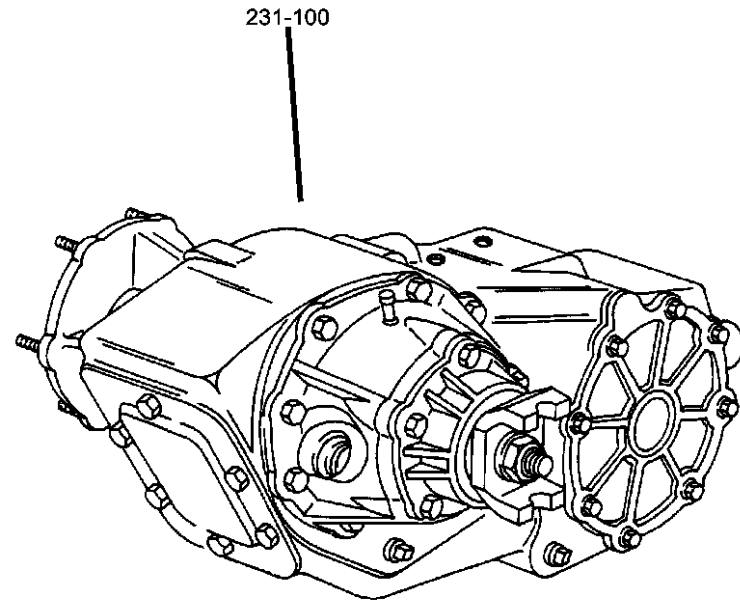
TRANSMISSION
 DDD = Transmission - 5-Speed HD
 Manual
 DDK = Transmission - 5-Speed HD
 Manual
 DG4 = Transmission-Multi-Speed
 Auto, 45RFE
 DG6 = Transmission-4-Spd.
 Automatic, 42RLE
 DGQ = Transmission-5-Spd Automatic
 5-45RFE
 DBB = All Manual Transmissions
 DG0 = All Automatic Transmissions

AR = use ase required - = Non illustrated part

2004 KJ

Group - 231

Transfer Case Model 231 [DHN]



Group - 231 Transfer Case Model 231 [DHN]

Illustration Title

Group-Fig. No.

Transfer Case Assembly

Transfer Case Command Trac [DHN] Fig. 231 - 110

Case and Related Parts

Case and Related Parts Command Trac [DHN] Fig. 231 - 210

Gear Train

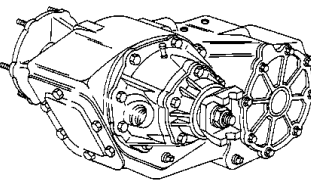
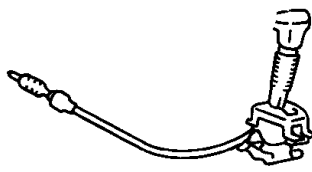
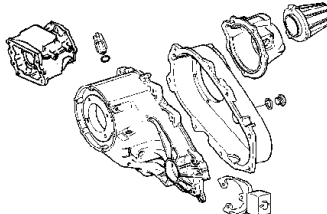
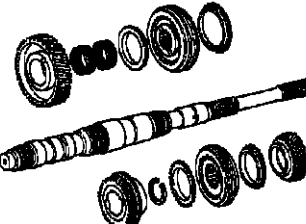
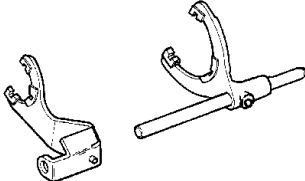
Gear Train Command Trac [DHN] Fig. 231 - 410

Fork and Rails

Forks and Rails Command Trac [DHN]..... Fig. 231 - 910

Gearshift Controls

Gearshift Controls..... Fig. 231 - 1210

<p>231-100 Transfer Case Assembly</p> 	<p>231-1200 Gearshift Controls</p> 	<p>231-200 Case and Related Parts</p> 	<p>231-400 Gear Train</p> 
<p>231-900 Fork and Rails</p> 			

**Transfer Case Command Trac [DHN]
Figure 231-110**

ITEM	PART NUMBER	QTY	LINE	SERIES	BODY	ENGINE	TRANS	TRIM	DESCRIPTION
------	-------------	-----	------	--------	------	--------	-------	------	-------------

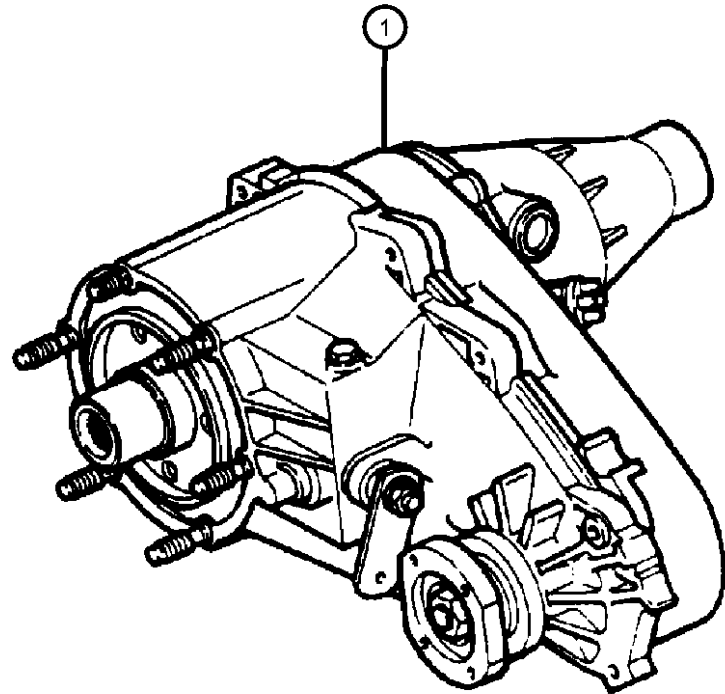
NOTE: Sales Codes

[ED0] = All 2.2,2.5,2.4,L 4 Cylinder Gas Engines

[EK0] = All 3.7L 6 Cylinder Gas Engines

[EN0] = All 4/5 Turbo Diesel Engines

1	52099421AD	1	J, U			ED0, EK0, EN0			TRANSFER CASE, NV231
---	------------	---	------	--	--	------------------	--	--	----------------------



LIBERTY (KJ)

SERIES	LINE
P = Limited	J = LHD (4WD)
H = Sport	U = RHD (4WD)
M = Renegade	T = LHD (2WD)

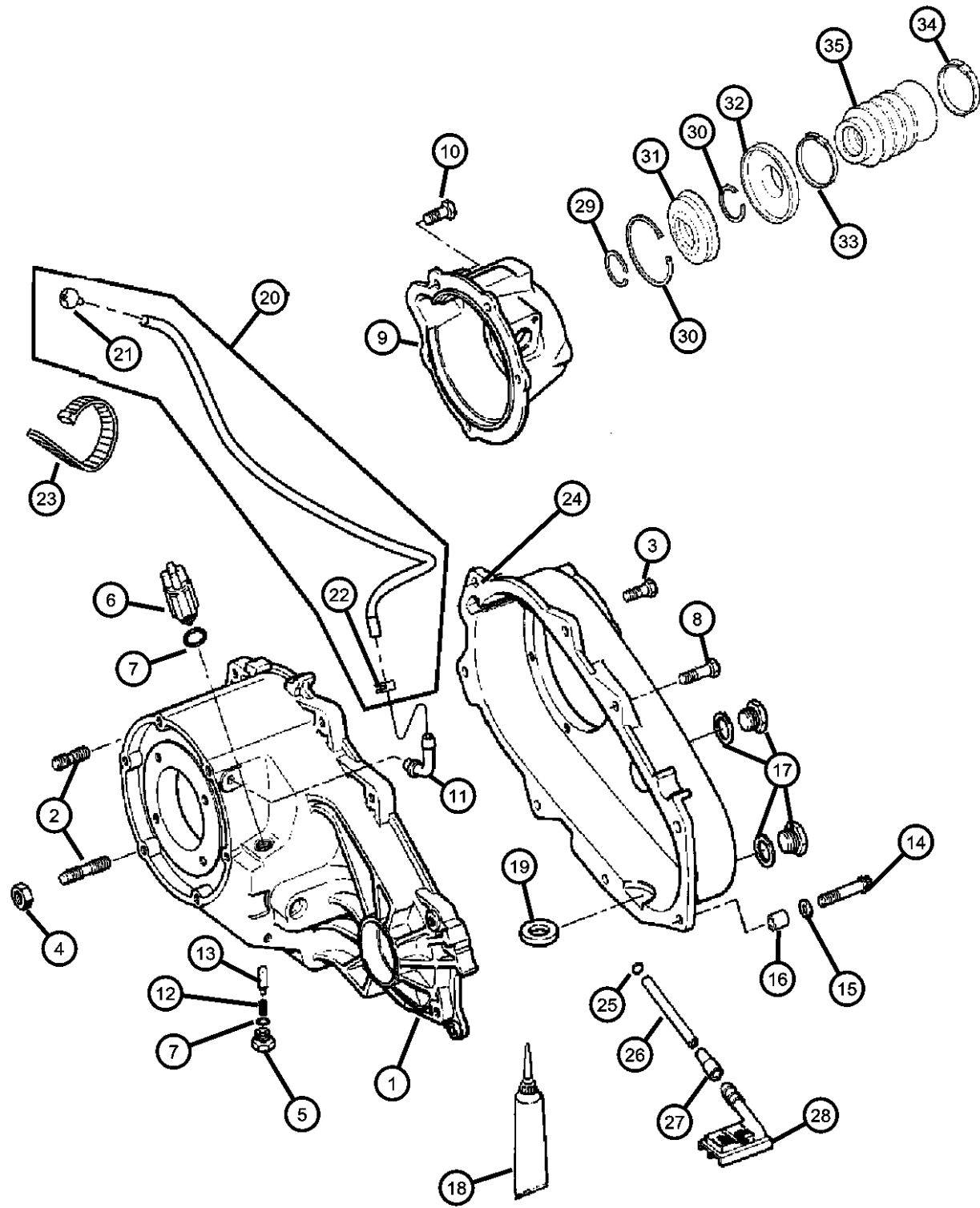
BODY
74 = 4 Door (104.3 WB)

ENGINE	TRANSMISSION
ED1 = Engine - 2.4L 4 Cyl DOHC 16v SMPI	DDD = Transmission - 5-Speed HD Manual
EKG = Engine - 3.7L V6	DDK = Transmission - 5-Speed HD Manual
ENJ = Engine -2.5L 4 Cyl 16V Turbo Diesel	DG4 = Transmission-Multi-Speed Auto, 45RFE
ENR = Engine - 2.8L 4 Cyl Turbo Diesel	DG6 = Transmission-4-Spd. Automatic, 42RLE
EN0 = 4Cyl Turbo Diesel	DGQ = Transmission-5-Spd Automatic 5-45RFE
EK0 = All 3.7L	DBB = All Manual Transmissions
ED0 = All 2.4L	DG0 = All Automatic Transmissions

AR = use ase required - = Non illustrated part

2004 KJ

**Case and Related Parts Command Trac [DHN]
Figure 231-210**



ITEM	PART NUMBER	QTY	LINE	SERIES	BODY	ENGINE	TRANS	TRIM	DESCRIPTION
------	-------------	-----	------	--------	------	--------	-------	------	-------------

NOTE: Sales Codes
 [ED0] = All 2.2,2.5,2.4,L 4 Cylinder Gas Engines
 [EK0] = All 3.7L 6 Cylinder Gas Engines
 [EN0] = All 4/5 Turbo Diesel Engines

1	05072322AA	1	J, U			ED0, EK0, EN0			CASE, Transfer Front
2	04167922	1	J, U			ED0, EK0, EN0			STUD, Transmission Case
3	J8130979	1	J, U			ED0, EK0, EN0			BOLT, Twelve Point Head, M10x1.5x48
4	J4006681	6	J, U						NUT AND CONED WASHER, Hex, .375-24
5	04886473AA	1	J, U			ED0, EK0, EN0			SCREW
6	05083138AA	1	J, U			ED0, EK0, EN0			SWITCH, Transfer Case, 5 Position
7	04338956	1	J, U			ED0, EK0, EN0			SEAL, Vacuum Switch
8	04210617	5	J, U			ED0, EK0, EN0			BOLT, Transfer Case
9	05072325AA	1	J, U			ED0, EK0, EN0			RETAINER, Transfer Case Rear
10	06501371	9	J, U			ED0, EK0, EN0			BOLT, Retainer
11	04796910	1	J, U			ED0, EK0, EN0			VENT, Transfer Case
12	05003445AA	1	J, U			ED0, EK0, EN0			SPRING, Poppet Plunger
13	05003444AA	1	J, U			ED0, EK0, EN0			PLUNGER
14	04210614	2	J, U			ED0, EK0, EN0			BOLT, Hex Flange Head
15	04210983	2	J, U			ED0, EK0, EN0			WASHER, Flat
16	04116310	2	J, U			ED0, EK0, EN0			DOWEL, Transfer Case
17	04856641	2	J, U			ED0, EK0, EN0			PLUG, Oil Fill
18	05010884AA	1	J, U			ED0, EK0, EN0			SEALANT, RTV
19	03681601	1	J, U			ED0, EK0, EN0			MAGNET, Transmission

LIBERTY (KJ)

SERIES LINE
 P = Limited J = LHD (4WD)
 H = Sport U = RHD (4WD)
 M = Renegade T = LHD (2WD)

BODY
 74 = 4 Door (104.3 WB)

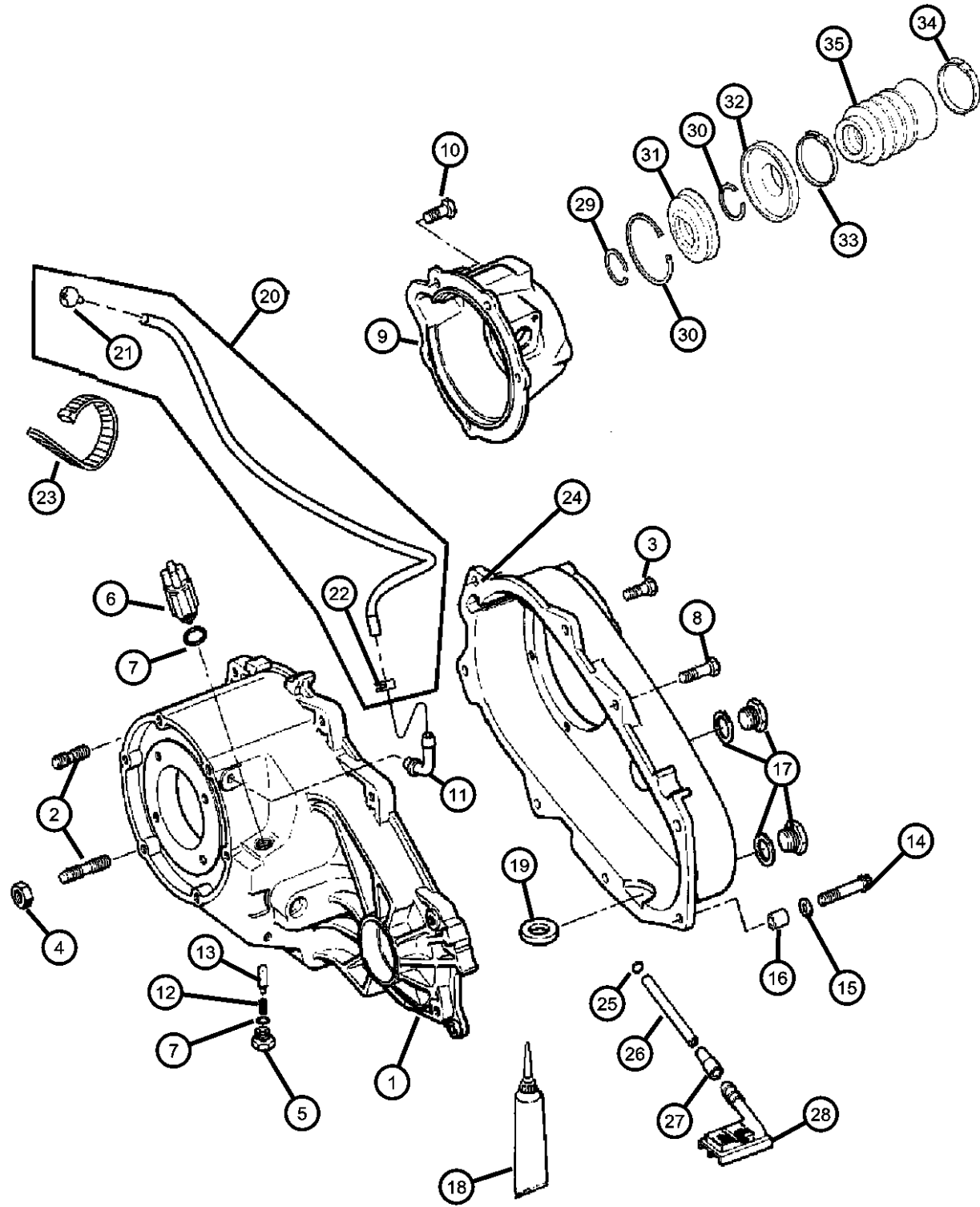
ENGINE
 ED1 = Engine - 2.4L 4 Cyl DOHC 16v SMPI
 EKG = Engine - 3.7L V6
 ENJ = Engine -2.5L 4 Cyl 16v Turbo Diesel
 ENR = Engine - 2.8L 4 Cyl Turbo Diesel
 EN0 = 4Cyl Turbo Diesel
 EK0 = All 3.7L
 ED0 = All 2.4L

TRANSMISSION
 DDD = Transmission - 5-Speed HD Manual
 DDK = Transmission - 5-Speed HD Manual
 DG4 = Transmission-Multi-Speed Auto, 45RFE
 DG6 = Transmission-4-Spd. Automatic, 42RLE
 DGQ = Transmission-5-Spd Automatic 5-45RFE
 DBB = All Manual Transmissions
 DG0 = All Automatic Transmissions

AR = use ase required - = Non illustrated part

2004 KJ

**Case and Related Parts Command Trac [DHN]
Figure 231-210**

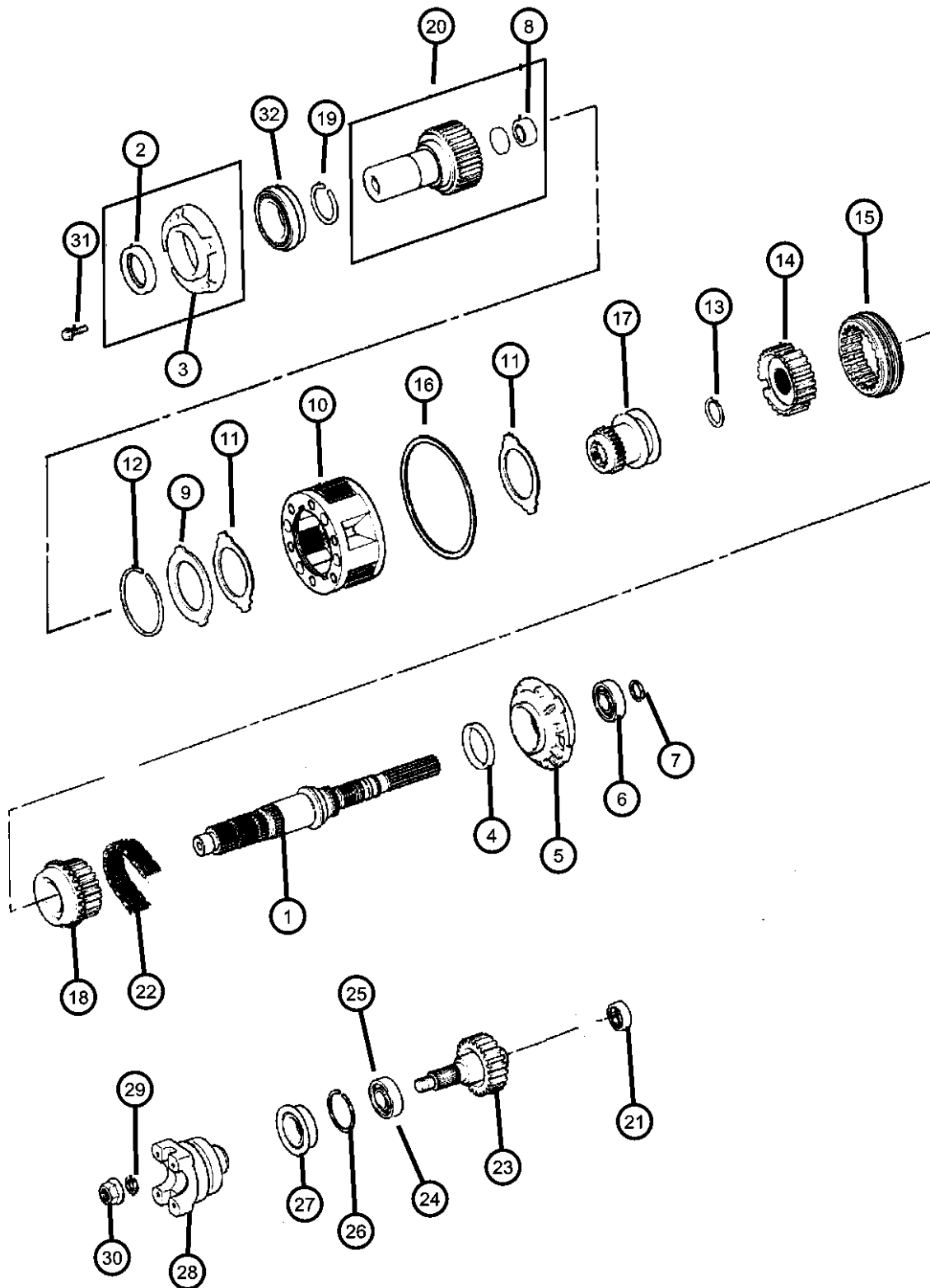


ITEM	PART NUMBER	QTY	LINE	SERIES	BODY	ENGINE	TRANS	TRIM	DESCRIPTION
20	52105882AA	1	J, U						HOSE, Vent
21	04213328	1	J, U						VENT, Cap
22	06502081	1	J, U						CLAMP, Oil Cooler Line
23	05073039AA	1	J, U						STRAP, Tie
24	04886222AA	1	J, U			ED0, EK0, EN0			CASE, Transfer Rear
25	04338942	1	J, U			ED0, EK0, EN0			SEAL, Oil
26	04338941	1	J, U			ED0, EK0, EN0			TUBE, Oil Pickup
27	04338944	1	J, U			ED0, EK0, EN0			CONNECTOR, Oil Tube Pickup
28	04338943	1	J, U			ED0, EK0, EN0			FILTER, Transfer Case Oil
29	05072306AB	1	J, U			ED0, EK0, EN0			SNAP RING
30	05072306AB	1	J, U			ED0, EK0, EN0			SNAP RING
31	05072307AA	1	J, U			ED0, EK0, EN0			SEAL, Output Shaft
32	05072308AA	1	J, U			ED0, EK0, EN0			SLINGER, Transfer Case Flange
33	05072310AA	1	J, U			ED0, EK0, EN0			CLAMP, Boot
34	05072311AA	1	J, U			ED0, EK0, EN0			CLAMP, Boot
35	05072329AA	1	J, U			ED0, EK0, EN0			BOOT, Output Shaft, None

LIBERTY (KJ)				
SERIES	LINE	BODY	ENGINE	TRANSMISSION
P = Limited	J = LHD (4WD)	74 = 4 Door (104.3 WB)	ED1 = Engine - 2.4L 4 Cyl DOHC 16v SMPI	DDD = Transmission - 5-Speed HD Manual
H = Sport	U = RHD (4WD)		EKG = Engine - 3.7L V6	DDK = Transmission - 5-Speed HD Manual
M = Renegade	T = LHD (2WD)		ENJ = Engine -2.5L 4 Cyl 16V Turbo Diesel	DG4 = Transmission-Multi-Speed Auto, 45RFE
			ENR = Engine - 2.8L 4 Cyl Turbo Diesel	DG6 = Transmission-4-Spd. Automatic, 42RLE
			ENO = 4Cyl Turbo Diesel	DGQ = Transmission-5-Spd Automatic 5-45RFE
			ED0 = All 3.7L	DBB = All Manual Transmissions
			ED0 = All 2.4L	DG0 = All Automatic Transmissions

AR = use ase required - = Non illustrated part

**Gear Train Command Trac [DHN]
Figure 231-410**



ITEM	PART NUMBER	QTY	LINE	SERIES	BODY	ENGINE	TRANS	TRIM	DESCRIPTION
------	-------------	-----	------	--------	------	--------	-------	------	-------------

NOTE: Sales Codes
 [ED0] = All 2.2,2.5,2.4L 4 Cylinder Gas Engines
 [EK0] = All 3.7L 6 Cylinder Gas Engines
 [EN0] = All 4/5 Turbo Diesel Engines

1	05072345AA	1	J, U			ED0, EK0, EN0			MAINSHAFT, Transfer Case
2	05019020AA	1	J, U			ED0, EK0, EN0			SEAL, Input Gear
3	04338973	1	J, U			ED0, EK0, EN0			EXTENSION, Transfer Case
4	04210603	1	J, U			ED0, EK0, EN0			SEAL, Main Shaft
5	04883596AA	1	J, U			ED0, EK0, EN0			PUMP, Transfer Case Oil
6	04883601AA	1	J, U			ED0, EK0, EN0			BEARING, Output Shaft
7	04883597AA	1	J, U			ED0, EK0, EN0			SNAP RING
8	83503507	1	J, U			ED0, EK0, EN0			BEARING, Input Shaft
9	04338909	1	J, U			ED0, EK0, EN0			RING
10	04796903AB	1	J, U			ED0, EK0, EN0			PLANETARY, Transfer Case
11	04338908	2	J, U			ED0, EK0, EN0			THRUST WASHER, Planetary Carrier
12	04338910	1	J, U			ED0, EK0, EN0			SNAP RING
13	04338933	1	J, U			ED0, EK0, EN0			SNAP RING
14	04741240	1	J, U			ED0, EK0, EN0			HUB, Synchronizer Mode
15	04796909	1	J, U			ED0, EK0, EN0			SLEEVE, Mode Synchronizer
16	04219065	1	J, U			ED0, EK0, EN0			SNAP RING, Annulus Gear
17	04797013	1	J, U			ED0, EK0, EN0			SLEEVE, Range Fork
18	04796908	1	J, U			ED0, EK0, EN0			SPROCKET, Transfer Case
19	03821558	1	J, U			ED0, EK0, EN0			SNAP RING

LIBERTY (KJ)

SERIES	LINE
P = Limited	J = LHD (4WD)
H = Sport	U = RHD (4WD)
M = Renegade	T = LHD (2WD)

BODY
 74 = 4 Door (104.3 WB)

ENGINE
 ED1 = Engine - 2.4L 4 Cyl DOHC 16v SMPI
 EKG = Engine - 3.7L V6
 ENJ = Engine -2.5L 4 Cyl 16v Turbo Diesel
 ENR = Engine - 2.8L 4 Cyl Turbo Diesel
 EN0 = 4Cyl Turbo Diesel
 EK0 = All 3.7L
 ED0 = All 2.4L

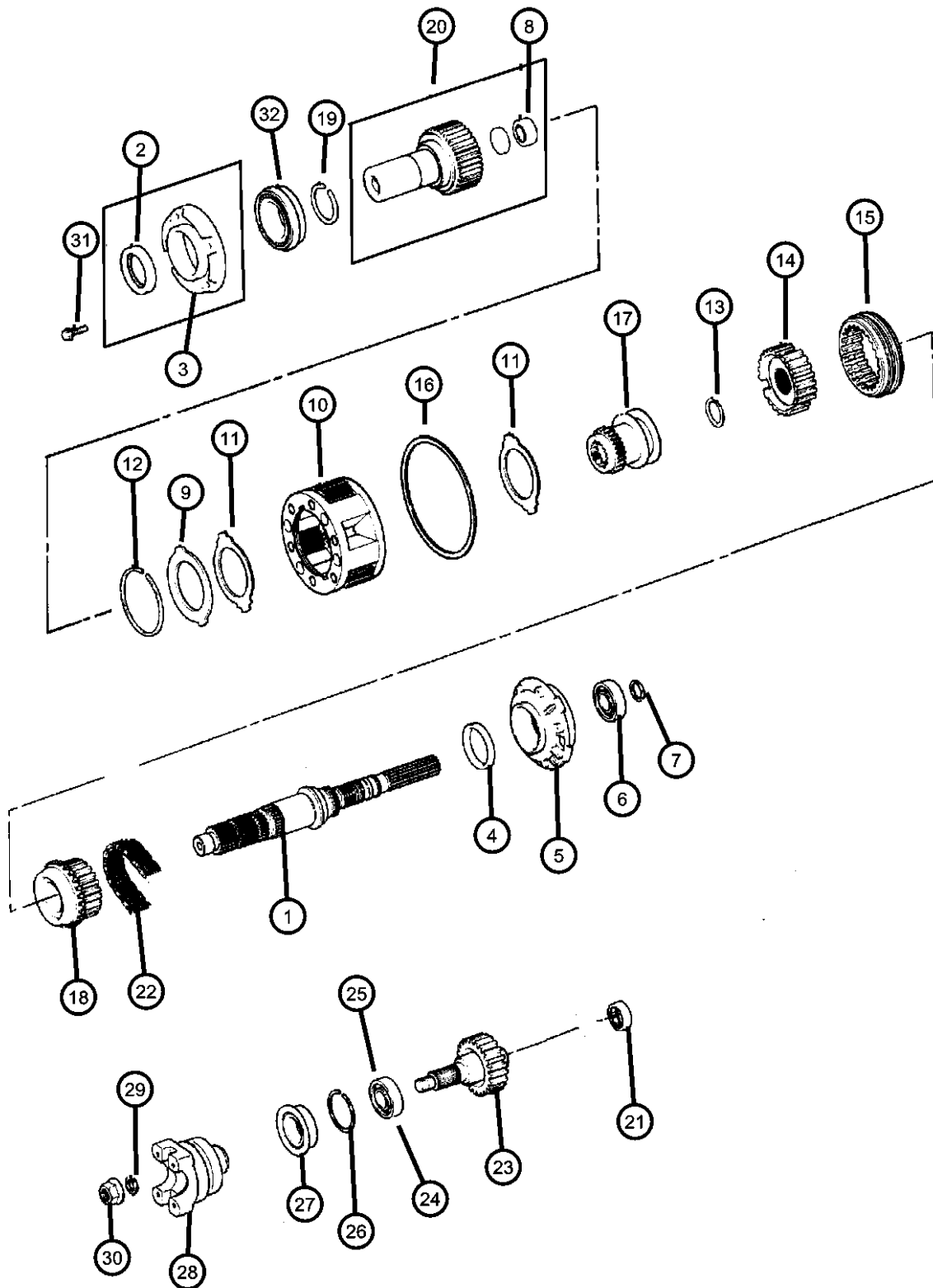
TRANSMISSION
 DDD = Transmission - 5-Speed HD Manual
 DDK = Transmission - 5-Speed HD Manual
 DG4 = Transmission-Multi-Speed Auto, 45RFE
 DG6 = Transmission-4-Spd. Automatic, 42RLE
 DGQ = Transmission-5-Spd Automatic 5-45RFE
 DBB = All Manual Transmissions
 DG0 = All Automatic Transmissions

AR = use ase required - = Non illustrated part

2004 KJ

**Gear Train Command Trac [DHN]
Figure 231-410**

ITEM	PART NUMBER	QTY	LINE	SERIES	BODY	ENGINE	TRANS	TRIM	DESCRIPTION
20	04798113	1	J, U			ED0, EK0, EN0			GEAR, Input
	04897953AA	1	J, U			ED0, EK0, EN0			52099421ag
21	04269189	1	J, U			ED0, EK0, EN0			BEARING, Output Shaft
22	04338935	1	J, U			ED0, EK0, EN0			CHAIN, Transfer Case
23	05072324AA	1	J, U			ED0, EK0, EN0			OUTPUT SHAFT, Transfer Case
24	04883601AA	1	J, U			ED0, EK0, EN0			BEARING, Output Shaft
25	04338892	1	J, U			ED0, EK0, EN0			BEARING
26	04338894	1	J, U			ED0, EK0, EN0			SNAP RING, Bearing
27	05015847AA	1	J, U			ED0, EK0, EN0			SEAL, Output Shaft
28	05019583AA	1	J, U			ED0, EK0, EN0			FLANGE, Driveshaft Yoke
29	04446487	1	J, U			ED0, EK0, EN0			WASHER, Flat
30	04446488	1	J, U			ED0, EK0, EN0			NUT, Hex Flange
31	06501371	9	J, U			ED0, EK0, EN0			BOLT, Retainer
32	04746155	1	J, U			ED0, EK0, EN0			BEARING, Input Gear



LIBERTY (KJ)

SERIES LINE
P = Limited J = LHD (4WD)
H = Sport U = RHD (4WD)
M = Renegade T = LHD (2WD)

BODY
74 = 4 Door (104.3 WB)

ENGINE
ED1 = Engine - 2.4L 4 Cyl DOHC 16v SMPI
EK0 = Engine - 3.7L V6
ENJ = Engine -2.5L 4 Cyl 16v Turbo Diesel
ENR = Engine - 2.8L 4 Cyl Turbo Diesel
ENO = 4Cyl Turbo Diesel
EKO = All 3.7L
ED0 = All 2.4L

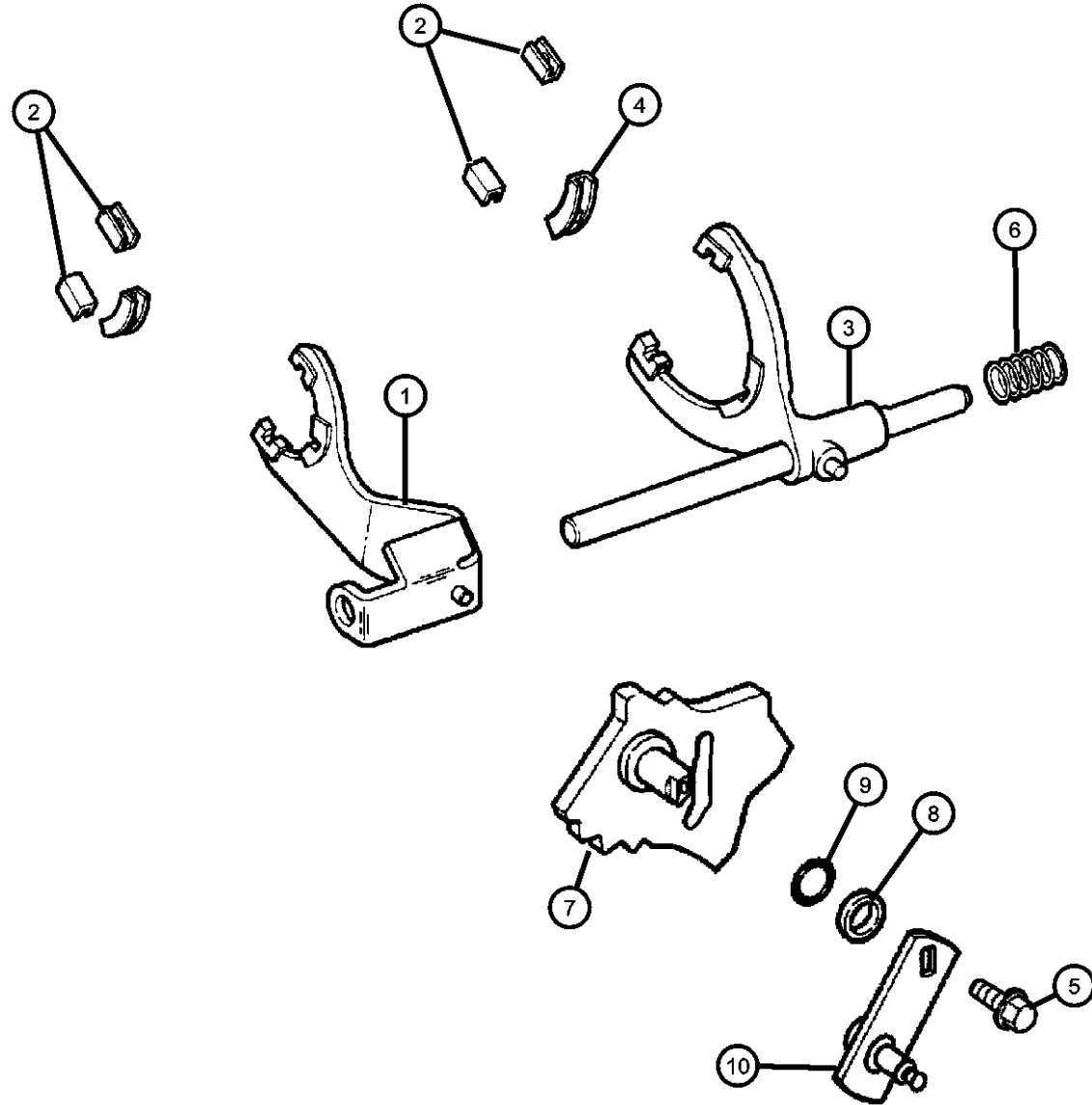
TRANSMISSION
DDD = Transmission - 5-Speed HD Manual
DDK = Transmission - 5-Speed HD Manual
DG4 = Transmission-Multi-Speed Auto, 45RFE
DG6 = Transmission-4-Spd. Automatic, 42RLE
DGQ = Transmission-5-Spd Automatic 5-45RFE
DBB = All Manual Transmissions
DG0 = All Automatic Transmissions

AR = use ase required - = Non illustrated part

2004 KJ

Forks and Rails Command Trac [DHN]
Figure 231-910

ITEM	PART NUMBER	QTY	LINE	SERIES	BODY	ENGINE	TRANS	TRIM	DESCRIPTION
Notes; Sales Codes									
[ED0] = All 2.2,2.5,2.4L 4 Cylinder Gas Engines									
[EK0] = All 3.7L 6 Cylinder Gas Engines									
[EN0] = All 4/5 Turbo Diesel Engines									
1	04798136	1	J, U			ED0, EK0, EN0			FORK, Range
2	04167969	2	J, U			ED0, EK0, EN0			PAD, Shift Fork
3	04741237	1	J, U			ED0, EK0, EN0			FORK, Transfer Case Mode Shift
4	04219073	1	J, U			ED0, EK0, EN0			PAD, Shift Fork
5	05014048AA	1	J, U			ED0, EK0, EN0			BOLT, Hex Head
6	04338925	1	J, U			ED0, EK0, EN0			SPRING, Mode Shift Rail
7	05072568AA	1	J, U			ED0, EK0, EN0			SECTOR, Transfer Case
8	05003442AA	1	J, U			ED0, EK0, EN0			BEARING, Shift Lever Linkage
9	05014046AA	1	J, U			ED0, EK0, EN0			SEAL, Sector Shaft
10	05072328AA	1	J, U			ED0, EK0, EN0			LEVER, Selector



LIBERTY (KJ)

SERIES LINE
P = Limited J = LHD (4WD)
H = Sport U = RHD (4WD)
M = Renegade T = LHD (2WD)

BODY
74 = 4 Door (104.3 WB)

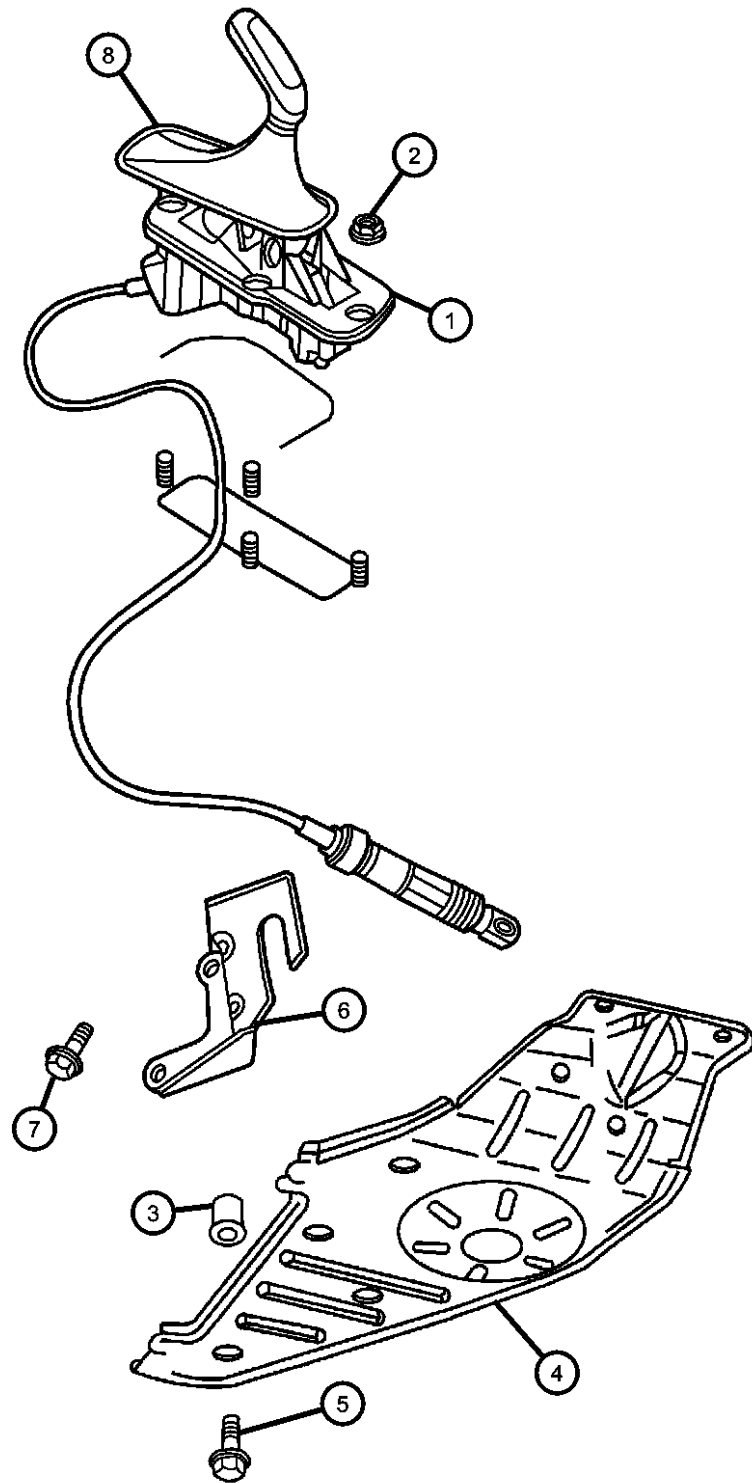
ENGINE
ED1 = Engine - 2.4L 4 Cyl DOHC 16v SMPI
EK0 = Engine - 3.7L V6
ENJ = Engine -2.5L 4 Cyl 16V Turbo Diesel
ENR = Engine - 2.8L 4 Cyl Turbo Diesel
EN0 = 4Cyl Turbo Diesel
EK0 = All 3.7L
ED0 = All 2.4L

TRANSMISSION
DDD = Transmission - 5-Speed HD Manual
DDK = Transmission - 5-Speed HD Manual
DG4 = Transmission-Multi-Speed Auto, 45RFE
DG6 = Transmission-4-Spd. Automatic, 42RLE
DGQ = Transmission-5-Spd Automatic 5-45RFE
DBB = All Manual Transmissions
DG0 = All Automatic Transmissions

AR = use ase required - = Non illustrated part

2004 KJ

**Gearshift Controls
Figure 231-1210**



ITEM	PART NUMBER	QTY	LINE	SERIES	BODY	ENGINE	TRANS	TRIM	DESCRIPTION
NOTE: Sales Codes [DBB] = All Manual Transmissions [DG0] = All Automatic Transmissions									
1									SHIFTER, Transfer Case
	52104308AD	1	J						
	52104309AD	1	U						
2	34201358	4							NUT AND WASHER, Hex Nut-Sealing Washer, M6 x 1.00
3	06506644AA	4	J, U						RIVET
4	52128649AA	1	J, U						PLATE, Transfer Case Skid
5	06506644AA	4	J, U						RIVET
6									BRACKET, Shifter
	52104389AB	1	J, U				DGQ		
	52104390AC	1	J, U				DBB		
	52109747AB	1	J, U				DG6		
7	06101752	3	J, U				DG0		SCREW AND WASHER, Hex Head, M10x1.5x28
8	52109709AB	1	J, U						BOOT, Gearshift
-9	68001899AA	1	J						BUSHING, Transfer case shifter

LIBERTY (KJ)

SERIES	LINE
P = Limited	J = LHD (4WD)
H = Sport	U = RHD (4WD)
M = Renegade	T = LHD (2WD)

BODY
74 = 4 Door (104.3 WB)

ENGINE
ED1 = Engine - 2.4L 4 Cyl
DOHC 16v SMPI
EKG = Engine - 3.7L V6
ENJ = Engine -2.5L 4 Cyl 16V
Turbo Diesel
ENR = Engine - 2.8L 4 Cyl
Turbo Diesel
ENO = 4Cyl Turbo Diesel
EKO = All 3.7L
EDO = All 2.4L

TRANSMISSION
DDD = Transmission - 5-Speed HD
Manual
DDK = Transmission - 5-Speed HD
Manual
DG4 = Transmission-Multi-Speed
Auto, 45RFE
DG6 = Transmission-4-Spd.
Automatic, 42RLE
DGQ = Transmission-5-Spd Automatic
5-45RFE
DBB = All Manual Transmissions
DG0 = All Automatic Transmissions

AR = use ase required - = Non illustrated part

2004 KJ

Group - 242

Transfer Case Model 242 [DHP]

Group - 242 Transfer Case Model 242 [DHP]

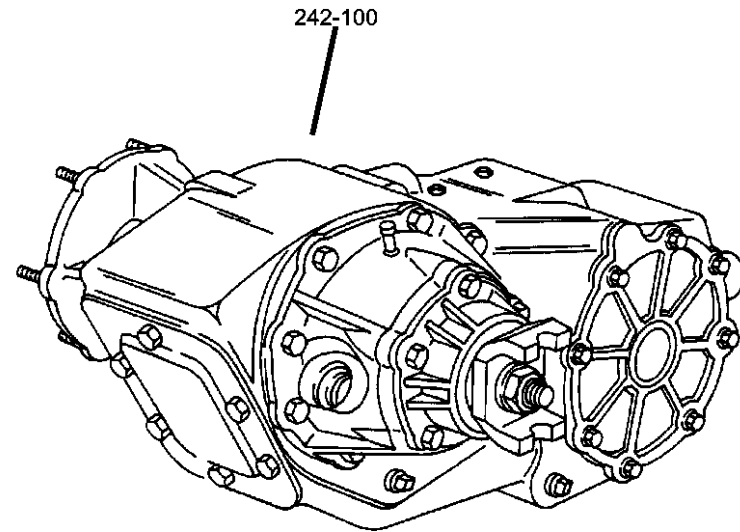


Illustration Title

Group-Fig. No.

Transfer Case Assembly

Transfer Case Select Trac [DHP] Fig. 242 - 110

Case and Related Parts

Case and Related Parts Select Trac [DHP] Fig. 242 - 210

Gear Train

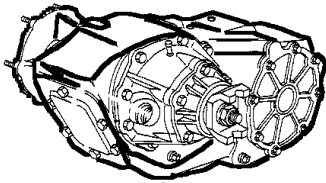
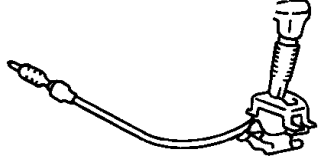
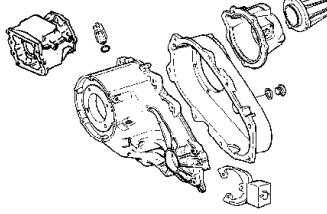
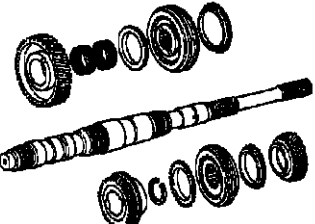
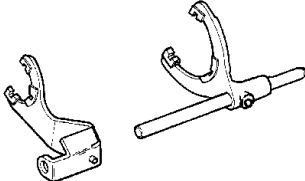
Gear Train Select Trac [DHP] Fig. 242 - 410

Fork and Rails

Forks and Rails Select Trac [DHP] Fig. 242 - 910

Gearshift Controls

Gearshift Controls Fig. 242 - 1210

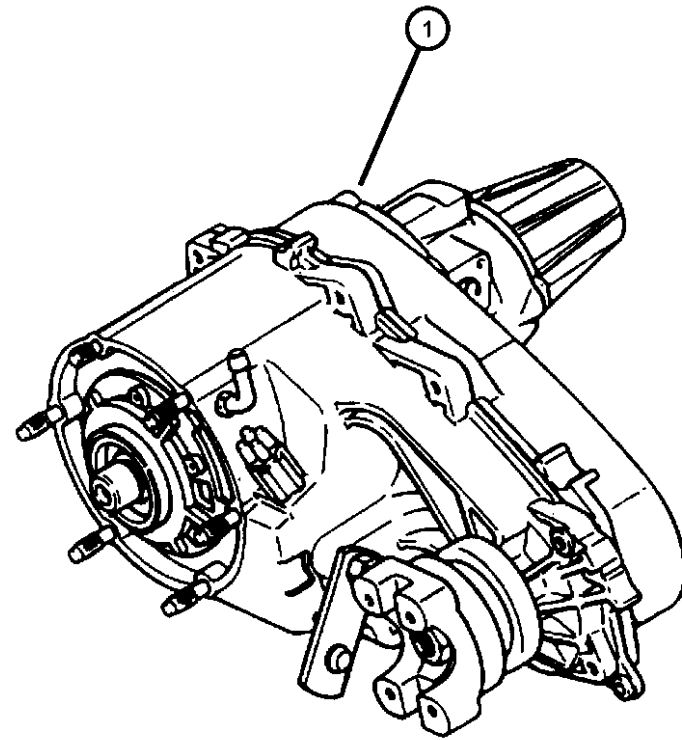
<p>242-100 Transfer Case Assembly</p> 	<p>242-1200 Gearshift Controls</p> 	<p>242-200 Case and Related Parts</p> 	<p>242-400 Gear Train</p> 
<p>242-900 Fork and Rails</p> 			

**Transfer Case Select Trac [DHP]
Figure 242-110**

ITEM	PART NUMBER	QTY	LINE	SERIES	BODY	ENGINE	TRANS	TRIM	DESCRIPTION
------	-------------	-----	------	--------	------	--------	-------	------	-------------

Notes: Sales Code
 ED0=All 2.2,2.4,2.5,L 4Cylinder Gas Engines
 EK0=All 3.7L Gas Engines
 EN0=All 4/5 Cylinber Turbo Diesel Engines

1									TRANSFER CASE, NP242
	52111022AH	1	J, U			ED0, EK0			
	52853123AB	1	J, U			EN0			



LIBERTY (KJ)

SERIES	LINE
P = Limited	J = LHD (4WD)
H = Sport	U = RHD (4WD)
M = Renegade	T = LHD (2WD)

BODY
 74 = 4 Door (104.3 WB)

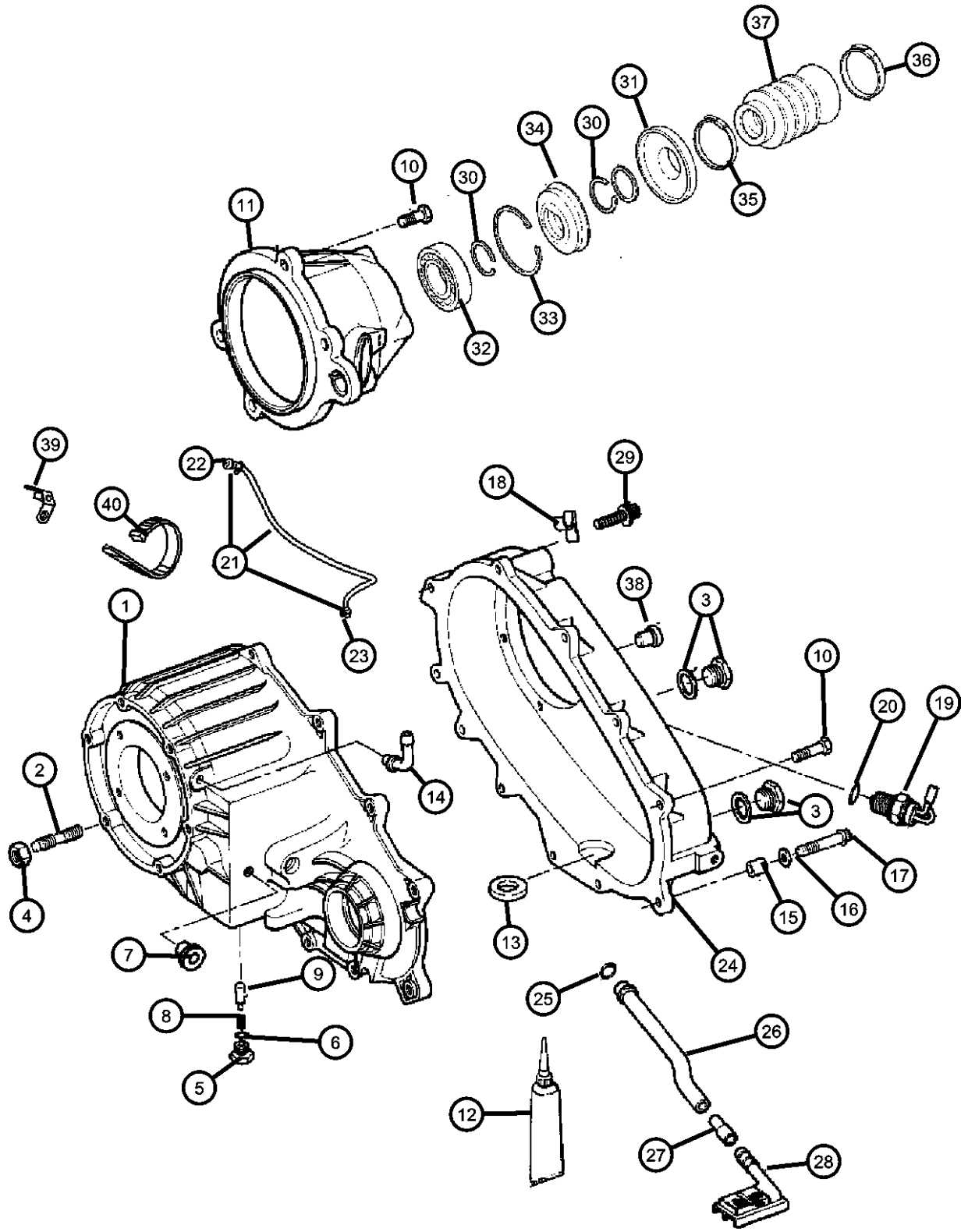
ENGINE
 ED1 = Engine - 2.4L 4 Cyl
 DOHC 16v SMPI
 EKG = Engine - 3.7L V6
 ENJ = Engine -2.5L 4 Cyl 16V
 Turbo Diesel
 ENR = Engine - 2.8L 4 Cyl
 Turbo Diesel
 EN0 = 4Cyl Turbo Diesel
 EK0 = All 3.7L
 ED0 = All 2.4L

TRANSMISSION
 DDD = Transmission - 5-Speed HD
 Manual
 DDK = Transmission - 5-Speed HD
 Manual
 DG4 = Transmission-Multi-Speed
 Auto, 45RFE
 DG6 = Transmission-4-Spd.
 Automatic, 42RLE
 DGQ = Transmission-5-Spd Automatic
 5-45RFE
 DBB = All Manual Transmissions
 DG0 = All Automatic Transmissions

AR = use ase required - = Non illustrated part

2004 KJ

**Case and Related Parts Select Trac [DHP]
Figure 242-210**



ITEM	PART NUMBER	QTY	LINE	SERIES	BODY	ENGINE	TRANS	TRIM	DESCRIPTION
------	-------------	-----	------	--------	------	--------	-------	------	-------------

Notes: Sales Code
 ED0=All 2.2,2.4,2.5,L 4Cylinder Gas Engines
 EK0=All 3.7L Gas Engines
 EN0=All 4/5 Cylinber Turbo Diesel Engines

1	05072315AA	1	J, U			ED0, EK0			CASE, Transfer Front
		1	J, U			EN0			
2	04167922	6	J, U			ED0, EK0			STUD, Tranmission Case
		6	J, U			EN0			
3	04856641	2	J, U			ED0, EK0			PLUG, Oil Fill
		2	J, U			EN0			
4	J4006681	6	J, U						NUT AND CONED WASHER, Hex, .375-24
5	04886473AA	1	J, U			ED0, EK0			SCREW
		1	J, U			EN0			
6	04338956	1	J, U			ED0, EK0			SEAL, Vacuum Switch
		1	J, U			EN0			
7	00015105	1	J, U			ED0, EK0			PLUG
		1	J, U			EN0			
8	05003445AA	1	J, U			ED0, EK0			SPRING, Poppet Plunger
		1	J, U			EN0			
9	05003444AA	1	J, U			ED0, EK0			PLUNGER
		1	J, U			EN0			
10	04210617	8	J, U			ED0, EK0			BOLT, Transfer Case

LIBERTY (KJ)

SERIES LINE
 P = Limited J = LHD (4WD)
 H = Sport U = RHD (4WD)
 M = Renegade T = LHD (2WD)

BODY
 74 = 4 Door (104.3 WB)

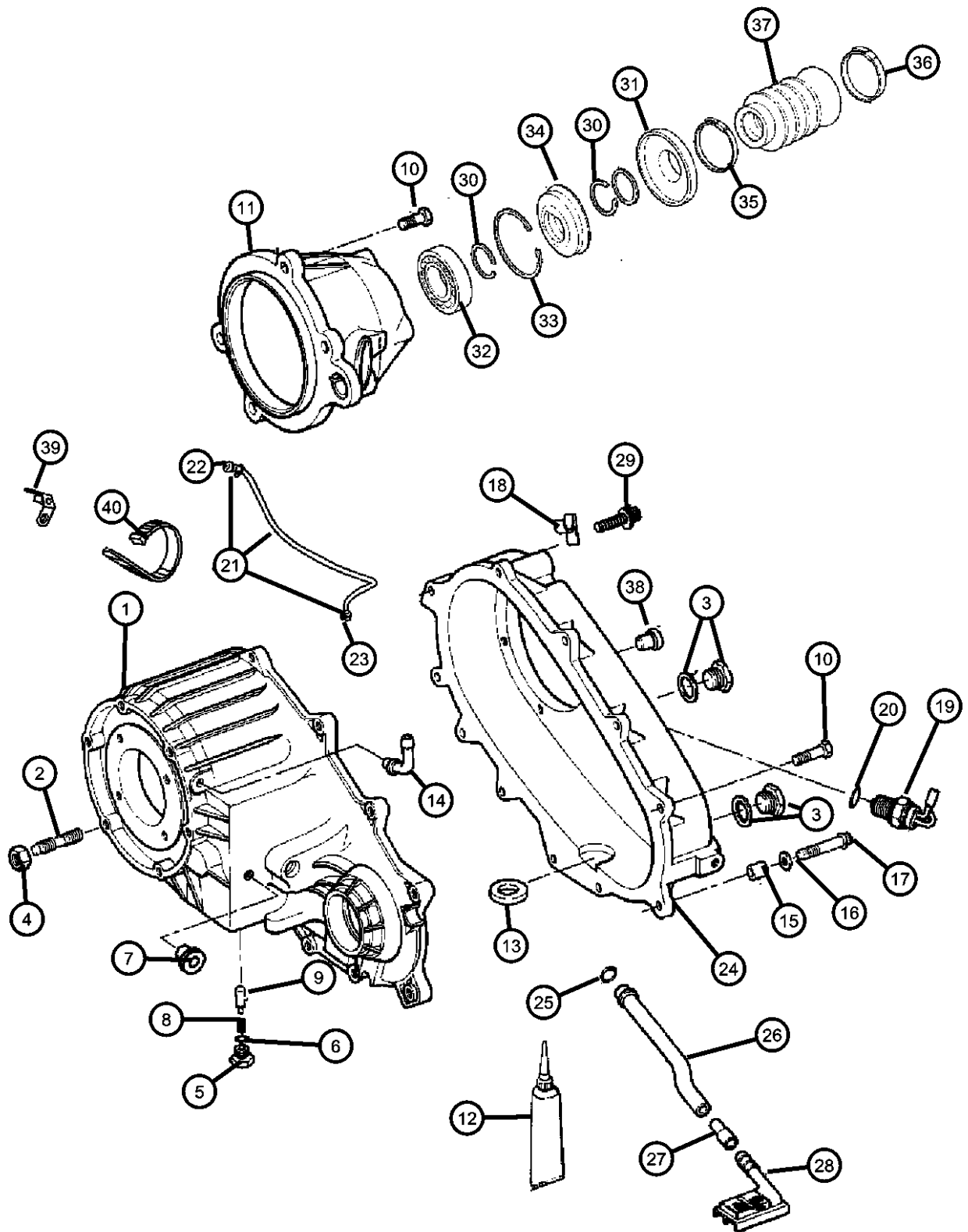
ENGINE
 ED1 = Engine - 2.4L 4 Cyl
 DOHC 16v SMPI
 EKG = Engine - 3.7L V6
 ENJ = Engine -2.5L 4 Cyl 16V
 Turbo Diesel
 ENR = Engine - 2.8L 4 Cyl
 Turbo Diesel
 EN0 = 4Cyl Turbo Diesel
 EK0 = All 3.7L
 ED0 = All 2.4L

TRANSMISSION
 DDD = Transmission - 5-Speed HD
 Manual
 DDK = Transmission - 5-Speed HD
 Manual
 DG4 = Transmission-Multi-Speed
 Auto, 45RFE
 DG6 = Transmission-4-Spd.
 Automatic, 42RLE
 DGQ = Transmission-5-Spd Automatic
 5-45RFE
 DBB = All Manual Transmissions
 DG0 = All Automatic Transmissions

AR = use ase required - = Non illustrated part

2004 KJ

Case and Related Parts Select Trac [DHP]
Figure 242-210



ITEM	PART NUMBER	QTY	LINE	SERIES	BODY	ENGINE	TRANS	TRIM	DESCRIPTION
11		8	J, U			EN0			RETAINER, Transfer Case Rear
	05072305AA	1	J, U			ED0, EK0			
12		1	J, U			EN0			SEALANT, RTV
	05010884AA	1	J, U			ED0, EK0			
		1	J, U			EN0			
13		1	J, U			ED0, EK0			MAGNET, Transmission
	03681601	1	J, U			ED0, EK0			
		1	J, U			EN0			
14		1	J, U			ED0, EK0			VENT, Transfer Case
	04796910	1	J, U			ED0, EK0			
		1	J, U			EN0			
15		2	J, U			ED0, EK0			DOWEL, Transfer Case
	04116310	2	J, U			ED0, EK0			
		2	J, U			EN0			
16		2	J, U			ED0, EK0			WASHER, Flat
	04210983	2	J, U			ED0, EK0			
		2	J, U			EN0			
17		6	J, U			ED0, EK0			BOLT, Hex Flange Head
	04210614	6	J, U			ED0, EK0			
		6	J, U			EN0			
18		1				ED0			CLIP
	52118181	1				ED0			
19		1	J, U			ED0, EK0			SWITCH, Transfer Case, 5 Position
	05083138AA	1	J, U			ED0, EK0			
		1	J, U			EN0			
20		1	J, U			ED0, EK0			SEAL, Vacuum Switch
	04338956	1	J, U			ED0, EK0			
		1	J, U			EN0			
21		1	J, U						HOSE, Vent
	52105882AA	1	J, U						

LIBERTY (KJ)

SERIES LINE
P = Limited J = LHD (4WD)
H = Sport U = RHD (4WD)
M = Renegade T = LHD (2WD)

BODY
74 = 4 Door (104.3 WB)

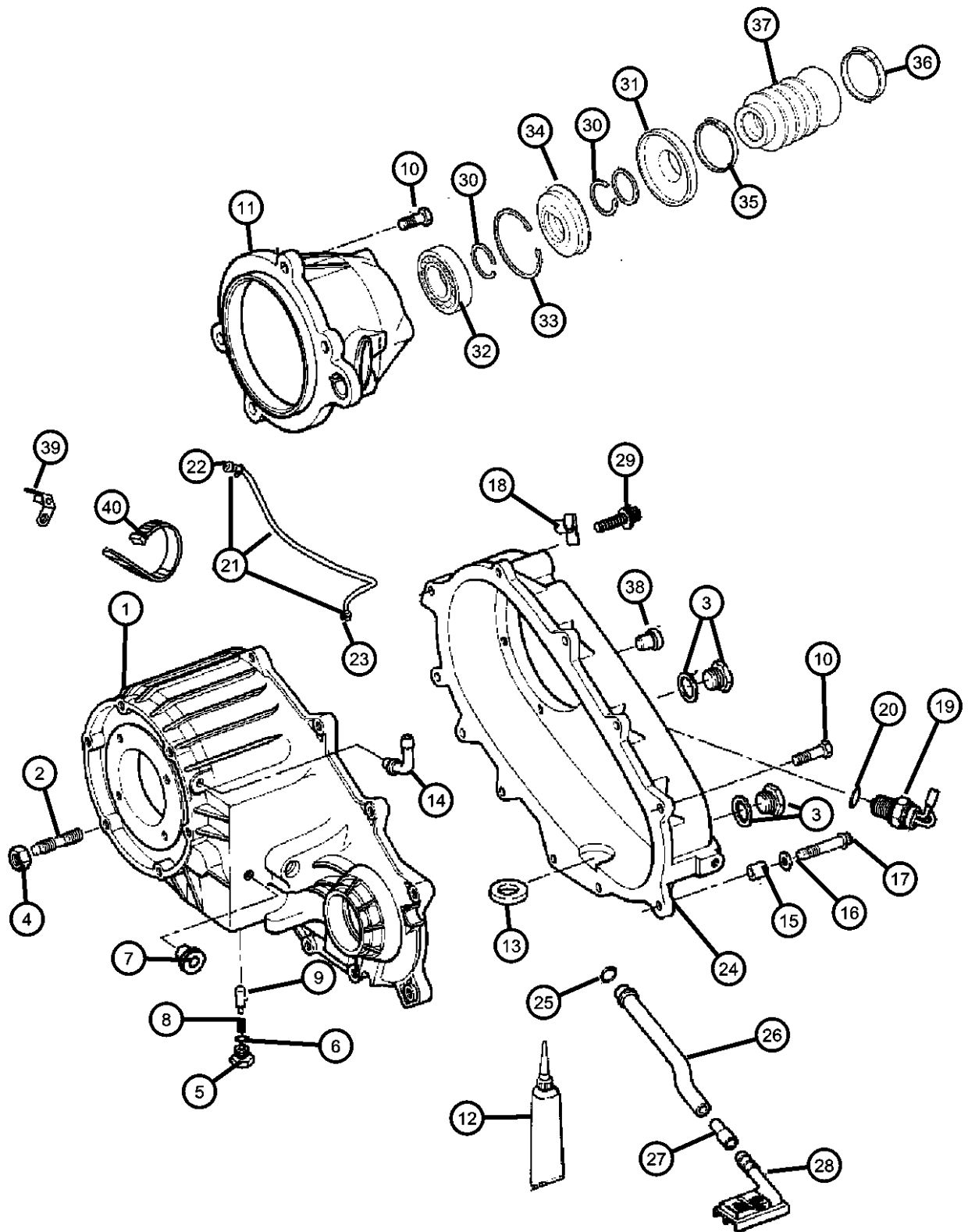
ENGINE
ED1 = Engine - 2.4L 4 Cyl
DOHC 16v SMPI
EKG = Engine - 3.7L V6
ENJ = Engine -2.5L 4 Cyl 16V
Turbo Diesel
ENR = Engine - 2.8L 4 Cyl
Turbo Diesel
EN0 = 4Cyl Turbo Diesel
EK0 = All 3.7L
ED0 = All 2.4L

TRANSMISSION
DDD = Transmission - 5-Speed HD
Manual
DDK = Transmission - 5-Speed HD
Manual
DG4 = Transmission-Multi-Speed
Auto, 45RFE
DG6 = Transmission-4-Spd.
Automatic, 42RLE
DGQ = Transmission-5-Spd Automatic
5-45RFE
DBB = All Manual Transmissions
DG0 = All Automatic Transmissions

AR = use ase required - = Non illustrated part

2004 KJ

Case and Related Parts Select Trac [DHP]
Figure 242-210



ITEM	PART NUMBER	QTY	LINE	SERIES	BODY	ENGINE	TRANS	TRIM	DESCRIPTION
22	04213328	1	J, U						VENT, Cap
23	06502081	1	J, U						CLAMP, Oil Cooler Line
24									CASE, Transfer Rear
	05013858AA	1	J, U			ED0, EK0			
		1	J, U			EN0			
25									SEAL, Oil
	04338942	1	J, U			ED0, EK0			
		1	J, U			EN0			
26									TUBE, Oil Pickup
	05003455AA	1	J, U			ED0, EK0			
		1	J, U			EN0			
27									CONNECTOR, Oil Tube Pickup
	04338944	1	J, U			ED0, EK0			
		1	J, U			EN0			
28									FILTER, Transfer Case Oil
	04338943	1	J, U			ED0, EK0			
		1	J, U			EN0			
29									BOLT, Twelve Point Head, M10x1.5x48
	J8130979	1	J, U			ED0, EK0			
		1	J, U			EN0			
30									SNAP RING
	04883597AA	2	J, U			ED0, EK0			
		2	J, U			EN0			
31									SLINGER, Transfer Case Flange
	05072308AA	1	J, U			ED0, EK0			
		1	J, U			EN0			
32									BEARING, Output Shaft
	02466224	1	J, U			EN0			
	04883601AA	1	J, U			ED0, EK0			

LIBERTY (KJ)

SERIES LINE
P = Limited J = LHD (4WD)
H = Sport U = RHD (4WD)
M = Renegade T = LHD (2WD)

BODY
74 = 4 Door (104.3 WB)

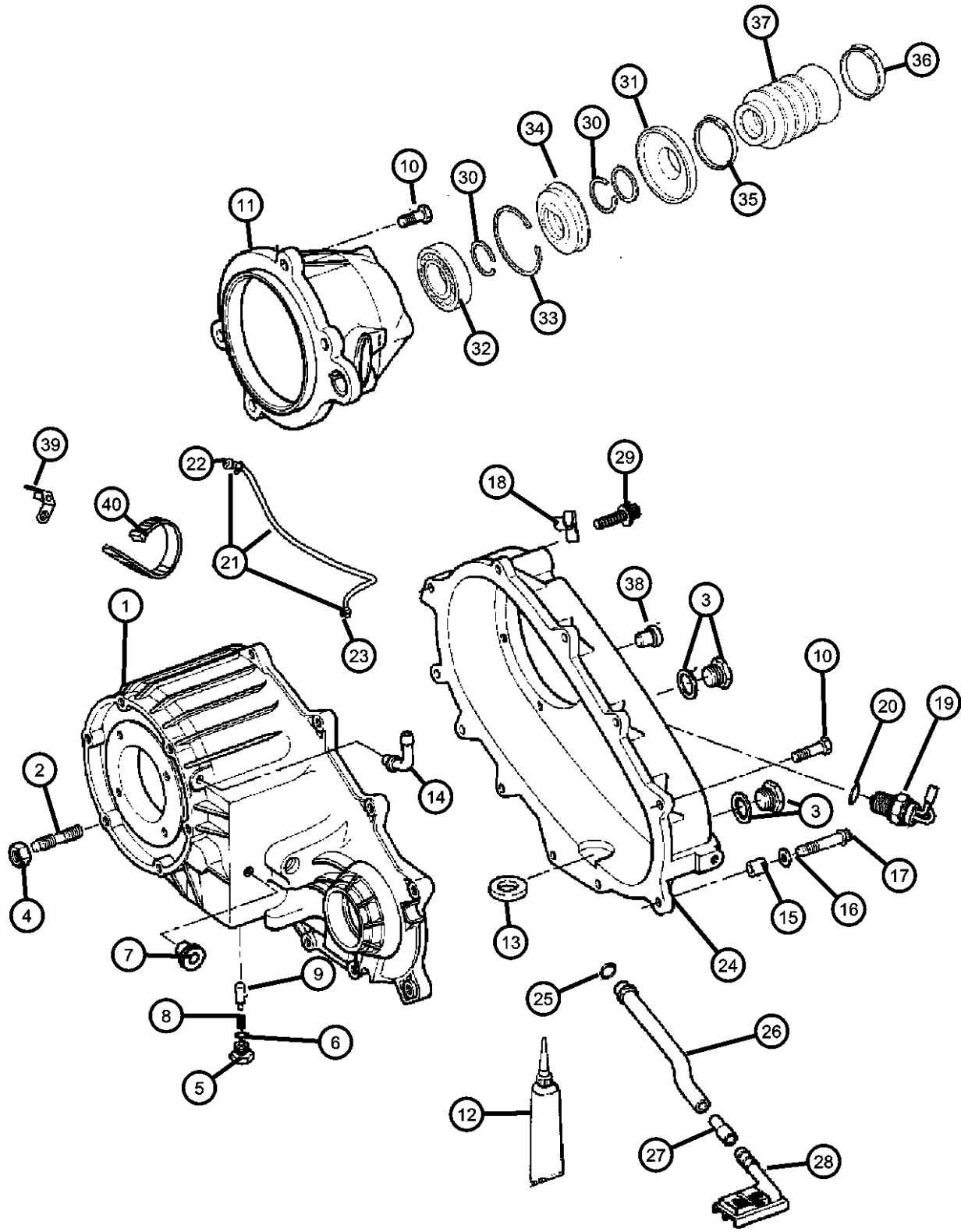
ENGINE
ED1 = Engine - 2.4L 4 Cyl DOHC 16v SMPI
EKG = Engine - 3.7L V6
ENJ = Engine -2.5L 4 Cyl 16v Turbo Diesel
ENR = Engine - 2.8L 4 Cyl Turbo Diesel
EN0 = 4Cyl Turbo Diesel
ED0 = All 3.7L
ED0 = All 2.4L

TRANSMISSION
DDD = Transmission - 5-Speed HD Manual
DDK = Transmission - 5-Speed HD Manual
DG4 = Transmission-Multi-Speed Auto, 45RFE
DG6 = Transmission-4-Spd. Automatic, 42RLE
DGQ = Transmission-5-Spd Automatic 5-45RFE
DBB = All Manual Transmissions
DG0 = All Automatic Transmissions

AR = use ase required - = Non illustrated part

2004 KJ

Case and Related Parts Select Trac [DHP]
Figure 242-210



ITEM	PART NUMBER	QTY	LINE	SERIES	BODY	ENGINE	TRANS	TRIM	DESCRIPTION
33	05072306AB	1	J, U			ED0, EK0			SNAP RING
		1	J, U			EN0			
34	05072307AA	1	J, U			ED0, EK0			SEAL, Output Shaft
		1	J, U			EN0			
35	05072310AA	1	J, U			ED0, EK0			CLAMP, Boot
		1	J, U			EN0			
36	05072311AA	1	J, U			ED0, EK0			CLAMP, Boot
		1	J, U			EN0			
37	05072329AB	1	J, U			ED0, EK0			BOOT, Output Shaft, None
		1	J, U			EN0			
38	04638953	1	J, U			ED0, EK0			DOWEL
		1	J, U			EN0			
39	56041823AB	2				EK0	DBB		BRACKET, Oxygen Sensor
40	05073039AA	1	J, U						STRAP, Tie

LIBERTY (KJ)
 SERIES LINE
 P = Limited J = LHD (4WD)
 H = Sport U = RHD (4WD)
 M = Renegade T = LHD (2WD)

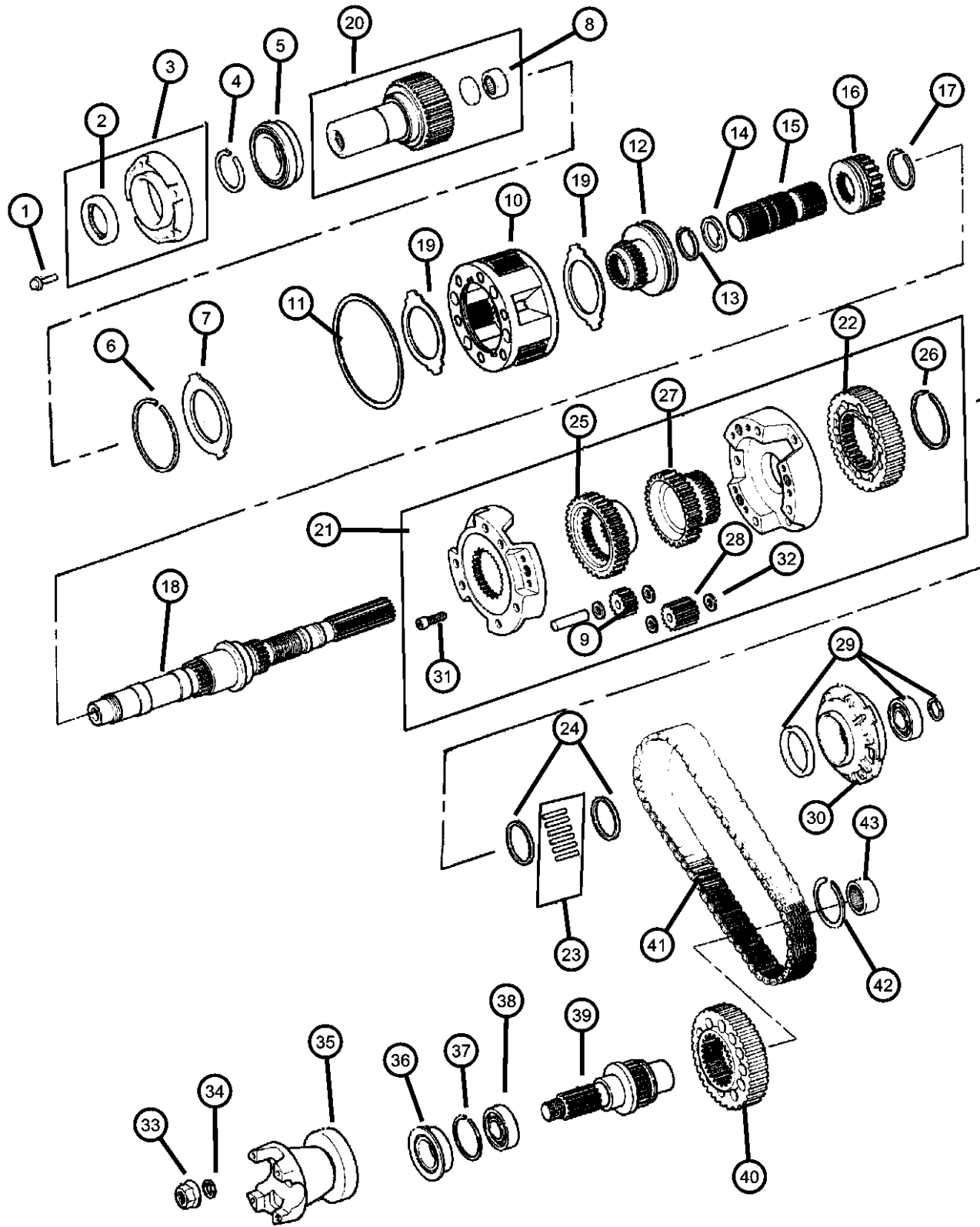
BODY
 74 = 4 Door (104.3 WB)

ENGINE
 ED1 = Engine - 2.4L 4 Cyl
 DOHC 16v SMPI
 EKG = Engine - 3.7L V6
 ENJ = Engine -2.5L 4 Cyl 16V
 Turbo Diesel
 ENR = Engine - 2.8L 4 Cyl
 Turbo Diesel
 EN0 = 4Cyl Turbo Diesel
 EK0 = All 3.7L
 ED0 = All 2.4L

TRANSMISSION
 DDD = Transmission - 5-Speed HD
 Manual
 DDK = Transmission - 5-Speed HD
 Manual
 DG4 = Transmission-Multi-Speed
 Auto, 45RFE
 DG6 = Transmission-4-Spd.
 Automatic, 42RLE
 DGQ = Transmission-5-Spd Automatic
 5-45RFE
 DBB = All Manual Transmissions
 DG0 = All Automatic Transmissions

AR = use ase required - = Non illustrated part

**Gear Train Select Trac [DHP]
Figure 242-410**



ITEM	PART NUMBER	QTY	LINE	SERIES	BODY	ENGINE	TRANS	TRIM	DESCRIPTION
Notes: Sales Code ED0=All 2.2,2.4,2.5,L 4Cylinder Gas Engines EK0=All 3.7L Gas Engines EN0=All 4/5 Cylinber Turbo Diesel Engines									
1	06501371	4	J, U			ED0, EK0			BOLT, Retainer
		4	J, U			EN0			
2	05019020AA	1	J, U			ED0, EK0			SEAL, Input Gear
		1	J, U			EN0			
3	04338973	1	J, U			ED0, EK0			EXTENSION, Transfer Case
		1	J, U			EN0			
4	03821558	1	J, U			ED0, EK0			SNAP RING
		1	J, U			EN0			
5	04746155	1	J, U			ED0, EK0			BEARING, Input Gear
		1	J, U			EN0			
6	04338910	1	J, U			ED0, EK0			SNAP RING
		1	J, U			EN0			
7	04338909	1	J, U			ED0, EK0			RING
		1	J, U			EN0			
8	83503507	1	J, U			ED0, EK0			BEARING, Input Shaft
		1	J, U			EN0			
9	83504170	1	J, U			ED0, EK0			GEAR, Planetary
		1	J, U			EN0			

LIBERTY (KJ)

SERIES

P = Limited
H = Sport
M = Renegade

LINE

J = LHD (4WD)
U = RHD (4WD)
T = LHD (2WD)

BODY

74 = 4 Door (104.3 WB)

ENGINE

ED1 = Engine - 2.4L 4 Cyl
DOHC 16v SMPI
EK0 = Engine - 3.7L V6
ENJ = Engine -2.5L 4 Cyl 16V
Turbo Diesel
ENR = Engine - 2.8L 4 Cyl
Turbo Diesel
EN0 = 4Cyl Turbo Diesel
EK0 = All 3.7L
ED0 = All 2.4L

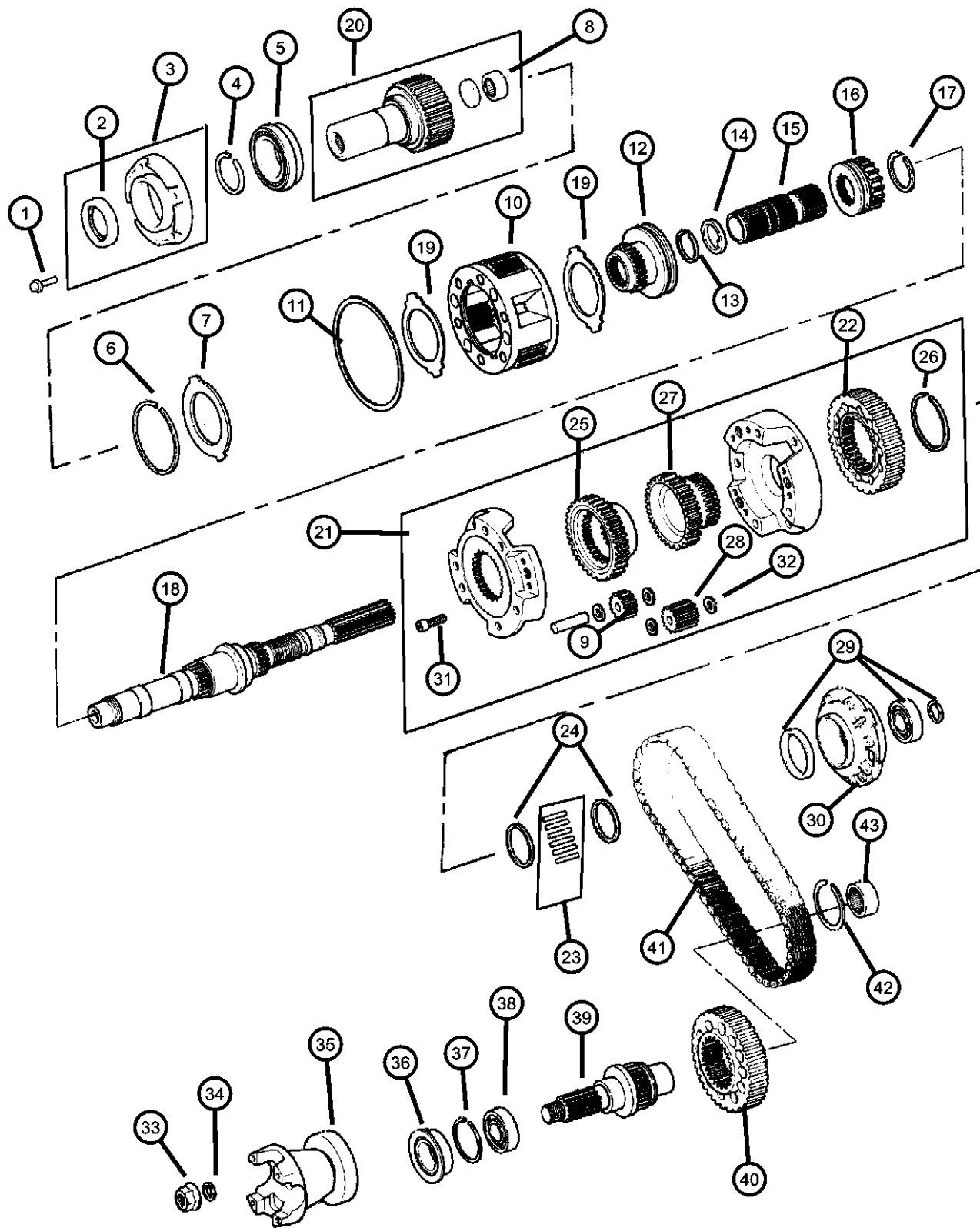
TRANSMISSION

DDD = Transmission - 5-Speed HD
Manual
DDK = Transmission - 5-Speed HD
Manual
DG4 = Transmission-Multi-Speed
Auto, 45RFE
DG6 = Transmission-4-Spd.
Automatic, 42RLE
DGQ = Transmission-5-Spd Automatic
5-45RFE
DBB = All Manual Transmissions
DG0 = All Automatic Transmissions

AR = use ase required - = Non illustrated part

2004 KJ

**Gear Train Select Trac [DHP]
Figure 242-410**



ITEM	PART NUMBER	QTY	LINE	SERIES	BODY	ENGINE	TRANS	TRIM	DESCRIPTION
10	04796903AB	1	J, U			ED0, EK0			PLANETARY, Transfer Case
		1	J, U			EN0			
11	04219065	1	J, U			ED0, EK0			SNAP RING, Annulus Gear
		1	J, U			EN0			
12	05003746AA	1	J, U			ED0, EK0			SLEEVE, Shift Range
		1	J, U			EN0			
13	83503540	1	J, U			EN0			SNAP RING
		1	J, U			ED0, EK0			
14	83503539	1	J, U			ED0, EK0			WASHER, Intermediate Sleeve
		1	J, U			EN0			
15	04798277	1	J, U			EK0, ED0			SHAFT, Intermediate
		1	J, U			EN0			
16	83503542	1	J, U			ED0, EK0			SLEEVE, Mode Synchronizer
		1	J, U			EN0			
17	83503537	1	J, U			ED0, EK0			SNAP RING
		1	J, U			EN0			
18	05072299AA	1	J, U			ED0, EK0			MAINSHAFT, Transfer Case
		1	J, U			EN0			
19	04338908	2	J, U			ED0, EK0			THRUST WASHER, Planetary Carrier

LIBERTY (KJ)

SERIES

P = Limited
H = Sport
M = Renegade

LINE

J = LHD (4WD)
U = RHD (4WD)
T = LHD (2WD)

BODY

74 = 4 Door (104.3 WB)

ENGINE

ED1 = Engine - 2.4L 4 Cyl
DOHC 16v SMPI
EKG = Engine - 3.7L V6
ENJ = Engine -2.5L 4 Cyl 16V
Turbo Diesel
ENR = Engine - 2.8L 4 Cyl
Turbo Diesel
EN0 = 4Cyl Turbo Diesel
EK0 = All 3.7L
ED0 = All 2.4L

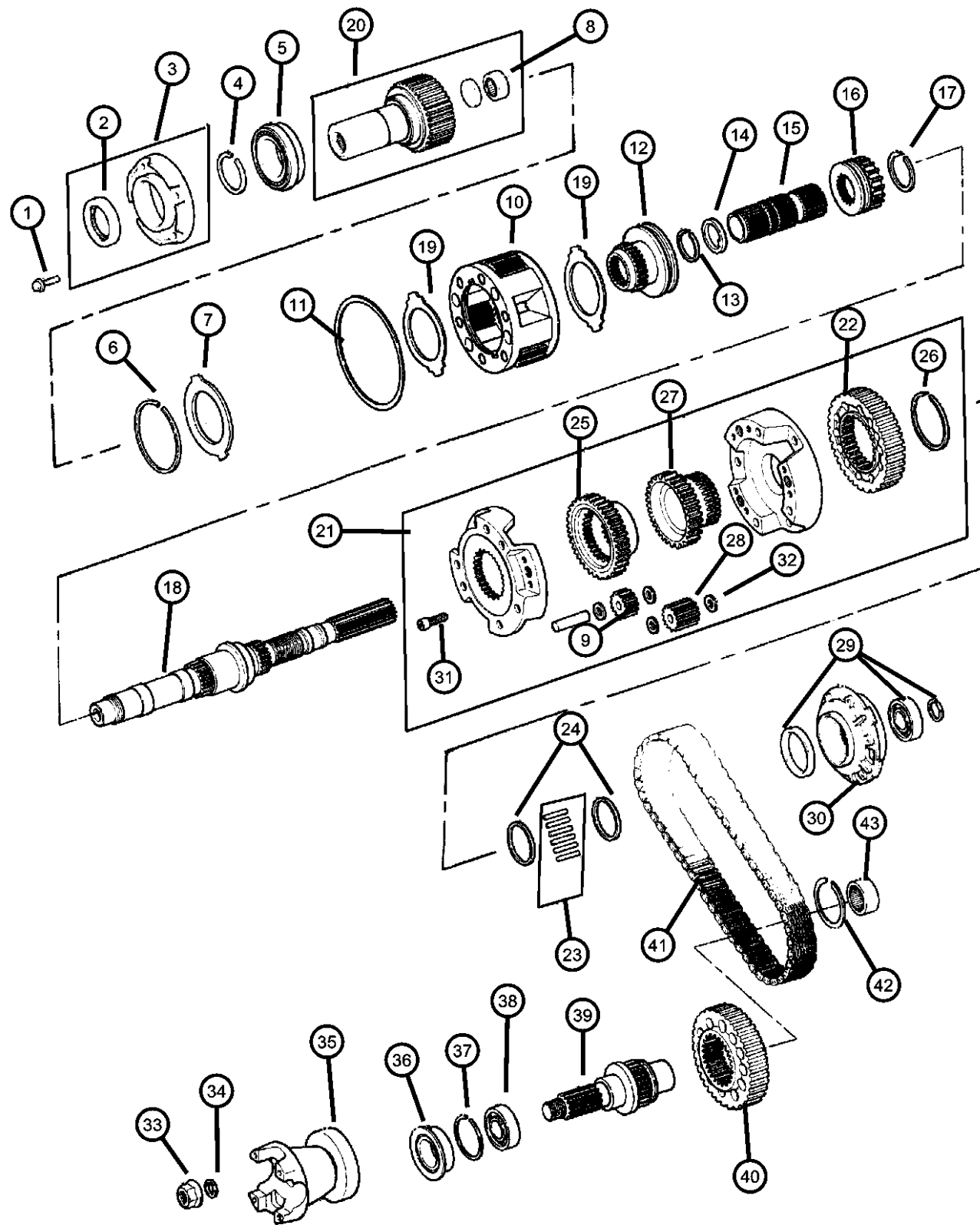
TRANSMISSION

DDD = Transmission - 5-Speed HD
Manual
DDK = Transmission - 5-Speed HD
Manual
DG4 = Transmission-Multi-Speed
Auto, 45RFE
DG6 = Transmission-4-Spd.
Automatic, 42RLE
DGQ = Transmission-5-Spd Automatic
5-45RFE
DBB = All Manual Transmissions
DG0 = All Automatic Transmissions

AR = use ase required - = Non illustrated part

2004 KJ

**Gear Train Select Trac [DHP]
Figure 242-410**



ITEM	PART NUMBER	QTY	LINE	SERIES	BODY	ENGINE	TRANS	TRIM	DESCRIPTION
20		2	J, U			EN0			GEAR, Input
	05072298AA	1	J, U			ED0, EK0			
		1	J, U			EN0			
21		1	J, U			ED0, EK0			DIFFERENTIAL, Transfer Case
	05072300AA	1	J, U			ED0, EK0			
		1	J, U			EN0			
22		1	J, U			ED0, EK0			SPROCKET, Transfer Case
	05072301AA	1	J, U			ED0, EK0			
		1	J, U			EN0			
23		1	J, U			ED0, EK0			NEEDLE BEARING, Roller Cage, None
	05066996AA	1	J, U			ED0, EK0			
		1	J, U			EN0			
24		2	J, U			ED0, EK0			THRUST WASHER, Planetary Carrier
	04338908	2	J, U			ED0, EK0			
		2	J, U			EN0			
25		1	J, U			ED0, EK0			SPROCKET, Differential
	83503536	1	J, U			ED0, EK0			
		1	J, U			EN0			
26		1	J, U						SNAP RING
	83503532	1	J, U						
27		1	J, U			ED0, EK0			GEAR, Differential Drive
	05003450AA	1	J, U			ED0, EK0			
		1	J, U			EN0			
28		3	J, U			ED0, EK0			GEAR, Planetary
	83504169	3	J, U			ED0, EK0			
		3	J, U			EN0			
29		3							SEAL, Main Shaft, (NOT REQUIRED)
30									PUMP, Transfer Case Oil

LIBERTY (KJ)

SERIES LINE
P = Limited J = LHD (4WD)
H = Sport U = RHD (4WD)
M = Renegade T = LHD (2WD)

BODY
74 = 4 Door (104.3 WB)

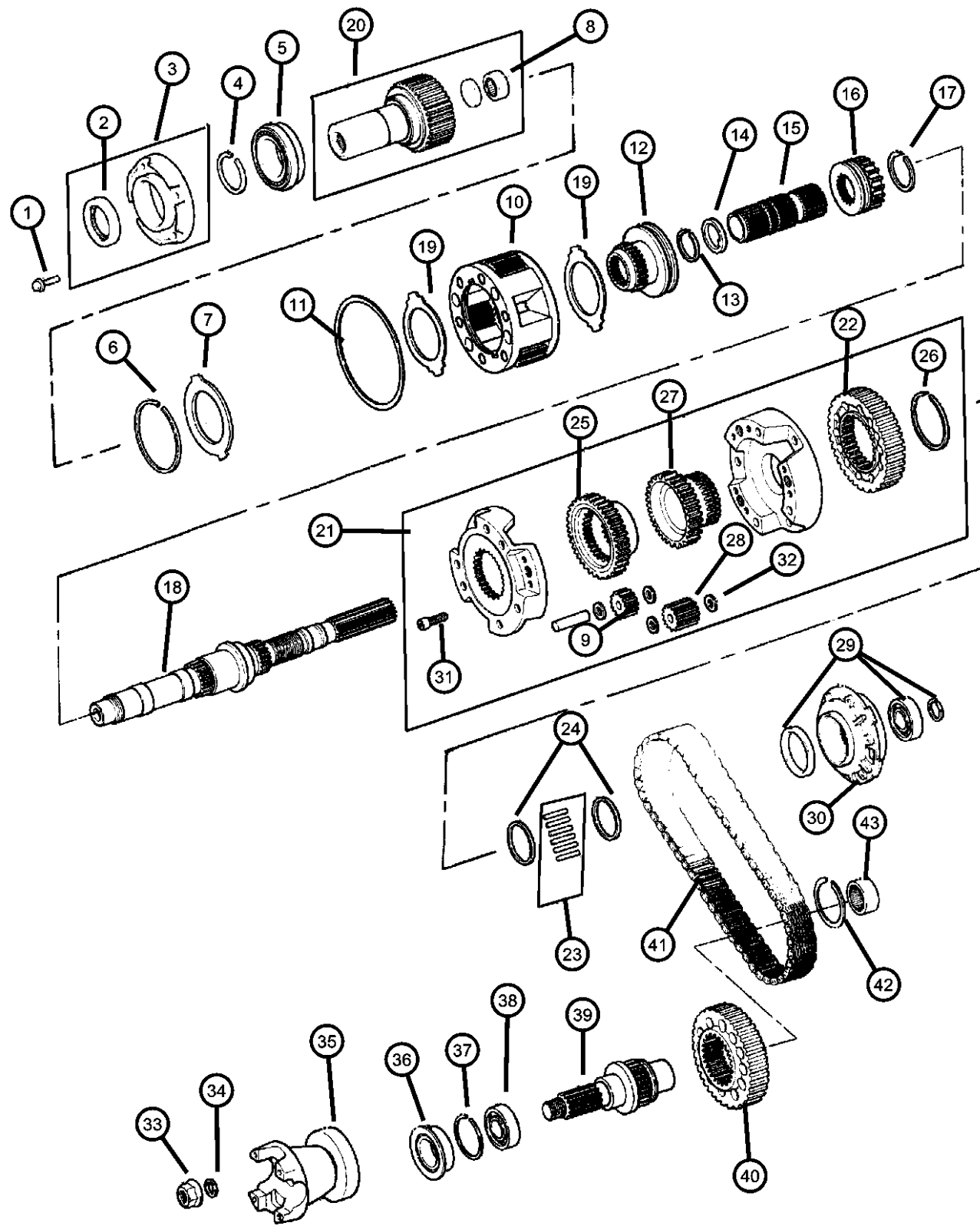
ENGINE
ED1 = Engine - 2.4L 4 Cyl
DOHC 16v SMPI
EKG = Engine - 3.7L V6
ENJ = Engine -2.5L 4 Cyl 16V
Turbo Diesel
ENR = Engine - 2.8L 4 Cyl
Turbo Diesel
EN0 = 4Cyl Turbo Diesel
EK0 = All 3.7L
ED0 = All 2.4L

TRANSMISSION
DDD = Transmission - 5-Speed HD
Manual
DDK = Transmission - 5-Speed HD
Manual
DG4 = Transmission-Multi-Speed
Auto, 45RFE
DG6 = Transmission-4-Spd.
Automatic, 42RLE
DGQ = Transmission-5-Spd Automatic
5-45RFE
DBB = All Manual Transmissions
DG0 = All Automatic Transmissions

AR = use ase required - = Non illustrated part

2004 KJ

**Gear Train Select Trac [DHP]
Figure 242-410**



ITEM	PART NUMBER	QTY	LINE	SERIES	BODY	ENGINE	TRANS	TRIM	DESCRIPTION
	04883596AA	1	J, U			ED0, EK0			
		1	J, U			EN0			
31	03820898	1	J, U			ED0, EK0			SCREW
		1	J, U			EN0			
32	83504168	12	J, U			EN0			WASHER, Differential Gear
		12	J, U			ED0, EK0			
33	04167924	1	J, U			ED0, EK0			NUT, Transfer Case Yoke
		1	J, U			EN0			
34	04210973	1	J, U			EN0			WASHER, Transfer Case Yoke
		1	J, U			ED0, EK0			
35	05066927AA	1	J, U			ED0, EK0			FLANGE, Driveshaft Yoke
	05103223AA	1	J, U			EN0			
36	04798125	1	J, U			ED0, EK0			SEAL, Output Shaft
		1	J, U			EN0			
37	0089331A	1	J, U			ED0, EK0			SNAP RING
		1	J, U			EN0			
38	04269189	1	J, U			ED0, EK0			BEARING, Output Shaft
		1	J, U			EN0			
39	05012336AA	1	J, U			ED0, EK0			OUTPUT SHAFT, Transfer Case
		1	J, U			EN0			
40									SPROCKET, Transfer Case

LIBERTY (KJ)

SERIES

P = Limited
H = Sport
M = Renegade

LINE

J = LHD (4WD)
U = RHD (4WD)
T = LHD (2WD)

BODY

74 = 4 Door (104.3 WB)

ENGINE

ED1 = Engine - 2.4L 4 Cyl
DOHC 16v SMPI
EKG = Engine - 3.7L V6
ENJ = Engine -2.5L 4 Cyl 16V
Turbo Diesel
ENR = Engine - 2.8L 4 Cyl
Turbo Diesel
EN0 = 4Cyl Turbo Diesel
EK0 = All 3.7L
ED0 = All 2.4L

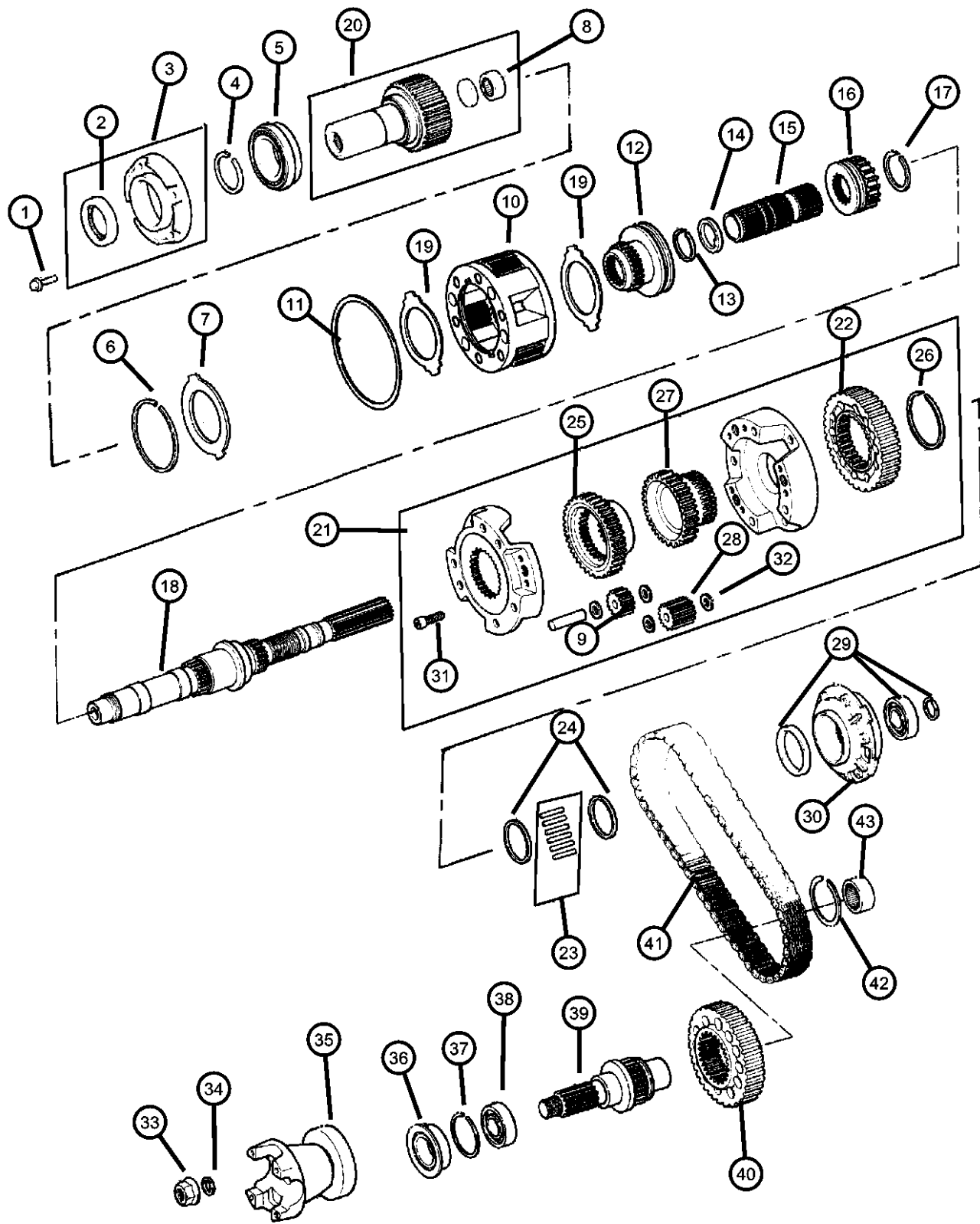
TRANSMISSION

DDD = Transmission - 5-Speed HD
Manual
DDK = Transmission - 5-Speed HD
Manual
DG4 = Transmission-Multi-Speed
Auto, 45RFE
DG6 = Transmission-4-Spd.
Automatic, 42RLE
DGQ = Transmission-5-Spd Automatic
5-45RFE
DBB = All Manual Transmissions
DG0 = All Automatic Transmissions

AR = use ase required - = Non illustrated part

2004 KJ

**Gear Train Select Trac [DHP]
Figure 242-410**



ITEM	PART NUMBER	QTY	LINE	SERIES	BODY	ENGINE	TRANS	TRIM	DESCRIPTION
	05072302AA	1	J, U			EN0			
		1	J, U			EK0, ED0			
41	05012322AB	1	J, U			ED0, EK0			CHAIN, Transfer Case
		1	J, U			EN0			
42	04167991	1	J, U			ED0, EK0			SNAP RING, Bearing
		1	J, U			EN0			
43	02466224	1	J, U			ED0, EK0			BEARING, Output Shaft
		1	J, U			EN0			

LIBERTY (KJ)

SERIES LINE
P = Limited J = LHD (4WD)
H = Sport U = RHD (4WD)
M = Renegade T = LHD (2WD)

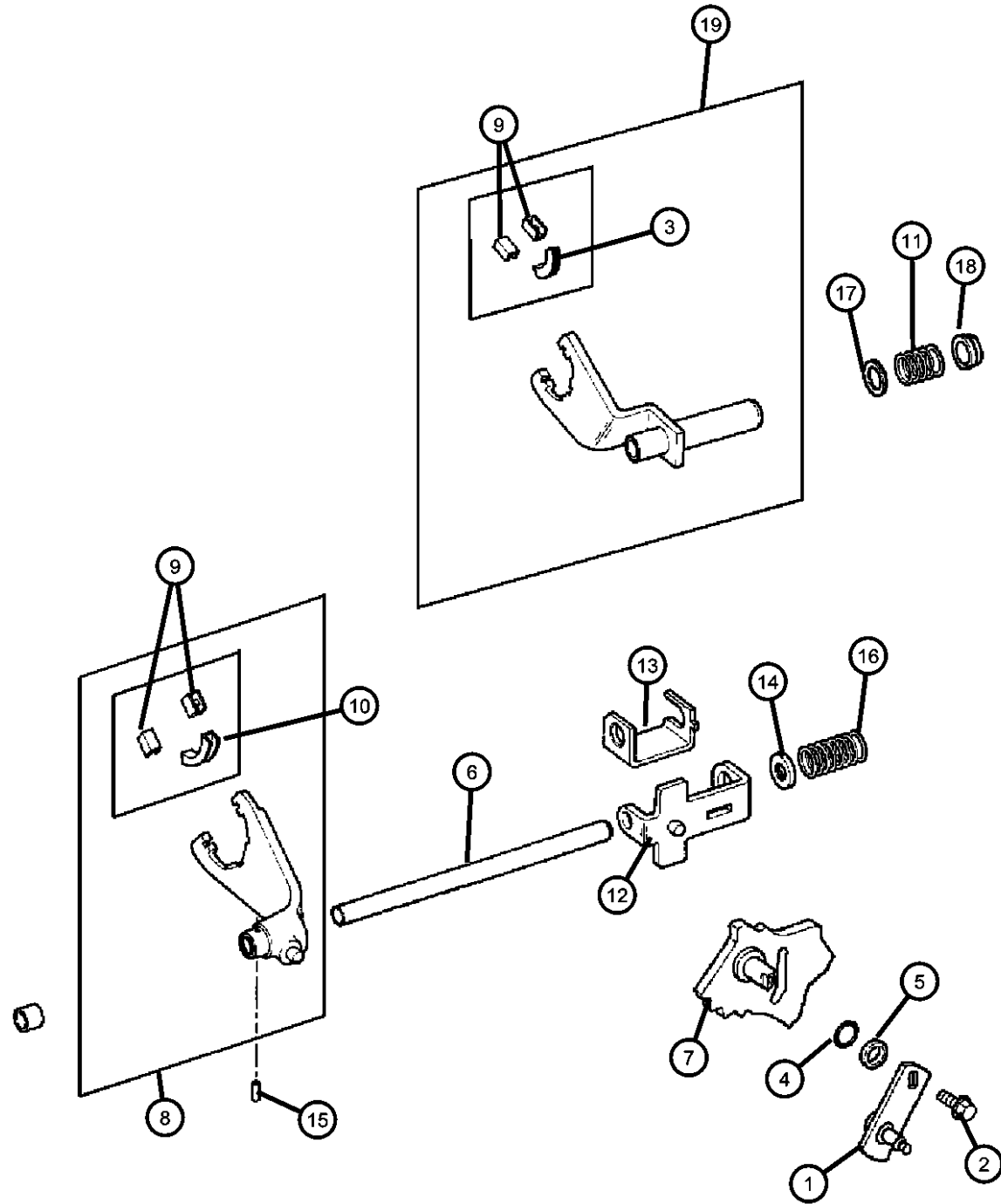
BODY
74 = 4 Door (104.3 WB)

ENGINE
ED1 = Engine - 2.4L 4 Cyl
DOHC 16v SMPI
EKG = Engine - 3.7L V6
ENJ = Engine -2.5L 4 Cyl 16V
Turbo Diesel
ENR = Engine - 2.8L 4 Cyl
Turbo Diesel
EN0 = 4Cyl Turbo Diesel
EK0 = All 3.7L
ED0 = All 2.4L

TRANSMISSION
DDD = Transmission - 5-Speed HD
Manual
DDK = Transmission - 5-Speed HD
Manual
DG4 = Transmission-Multi-Speed
Auto, 45RFE
DG6 = Transmission-4-Spd.
Automatic, 42RLE
DGQ = Transmission-5-Spd Automatic
5-45RFE
DBB = All Manual Transmissions
DG0 = All Automatic Transmissions

AR = use ase required - = Non illustrated part

Forks and Rails Select Trac [DHP]
Figure 242-910



ITEM	PART NUMBER	QTY	LINE	SERIES	BODY	ENGINE	TRANS	TRIM	DESCRIPTION
------	-------------	-----	------	--------	------	--------	-------	------	-------------

Notes: Sales Code
ED0=All 2.2,2.4,2.5,L 4Cylinder Gas Engines
EK0=All 3.7L Gas Engines
EN0=All 4/5 Cylinber Turbo Diesel Engines

1	05072316AA	1	J, U			ED0, EK0			LEVER, Transfer Case
		1	J, U			EN0			
2	05014048AA	1	J, U			ED0, EK0			BOLT, Hex Head
		1	J, U			EN0			
3	04338376	1	J, U			ED0, EK0			PAD, Shift Fork
		1	J, U			EN0			
4	05014046AA	1	J, U			ED0, EK0			SEAL, Sector Shaft
		1	J, U			EN0			
5	05003442AA	1	J, U			ED0, EK0			BEARING, Shift Lever Linkage
		1	J, U			EN0			
6	83504469	1	J, U			ED0, EK0			RAIL, Transfer Case
		1	J, U			EN0			
7	05072569AA	1	J, U			ED0, EK0			SECTOR, Transfer Case
		1	J, U			EN0			
8	05003459AA	1	J, U			ED0, EK0			FORK, Range
		1	J, U			EN0			
9	04167969	2	J, U			ED0, EK0			PAD, Shift Fork
		2	J, U			EN0			From 9/10/02

LIBERTY (KJ)

SERIES LINE
P = Limited J = LHD (4WD)
H = Sport U = RHD (4WD)
M = Renegade T = LHD (2WD)

BODY
74 = 4 Door (104.3 WB)

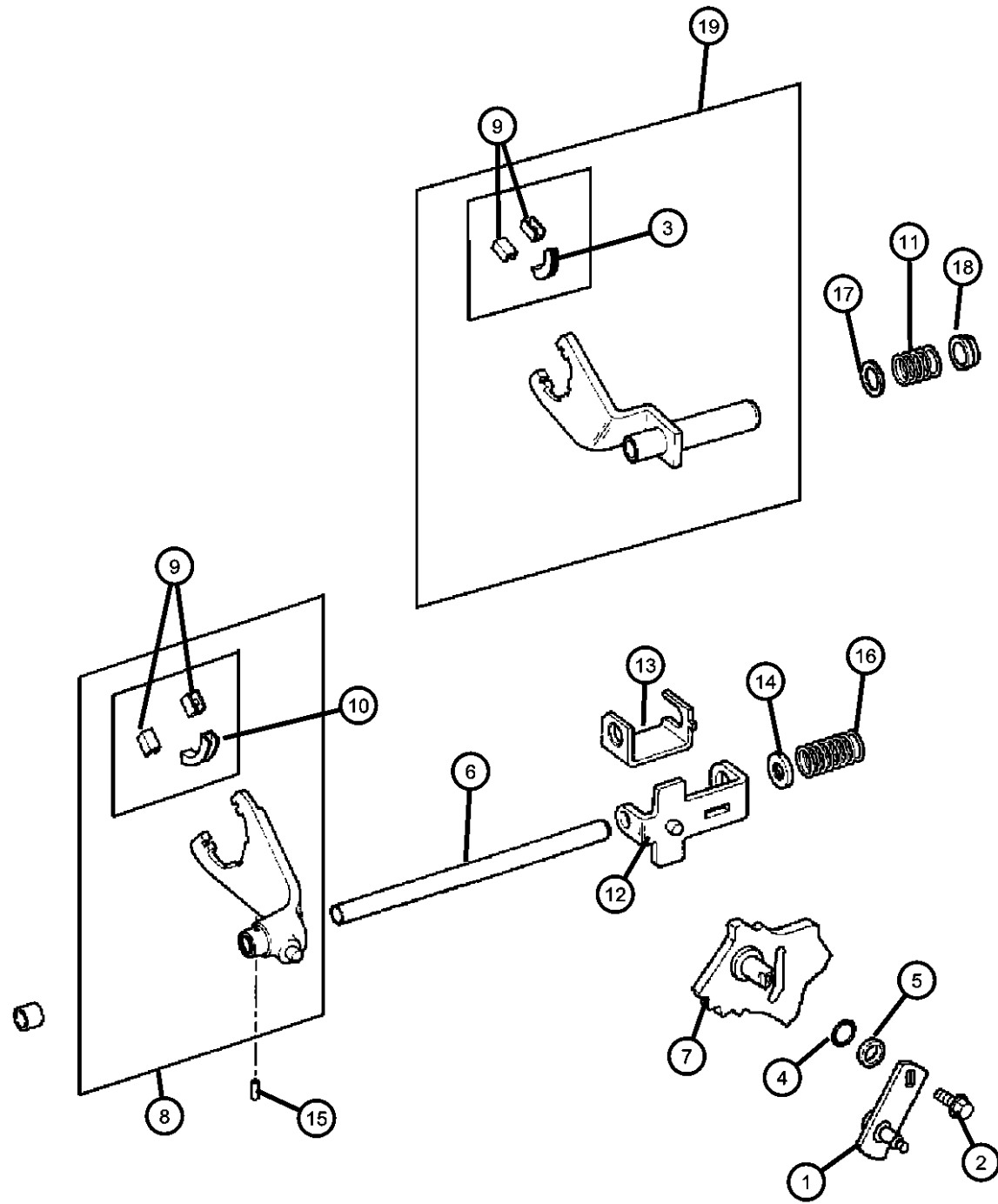
ENGINE
ED1 = Engine - 2.4L 4 Cyl
DOHC 16v SMPI
EK0 = Engine - 3.7L V6
ENJ = Engine -2.5L 4 Cyl 16V
Turbo Diesel
ENR = Engine - 2.8L 4 Cyl
Turbo Diesel
EN0 = 4Cyl Turbo Diesel
EK0 = All 3.7L
ED0 = All 2.4L

TRANSMISSION
DDD = Transmission - 5-Speed HD
Manual
DDK = Transmission - 5-Speed HD
Manual
DG4 = Transmission-Multi-Speed
Auto, 45RFE
DG6 = Transmission-4-Spd.
Automatic, 42RLE
DGQ = Transmission-5-Spd Automatic
5-45RFE
DBB = All Manual Transmissions
DG0 = All Automatic Transmissions

AR = use ase required - = Non illustrated part

2004 KJ

Forks and Rails Select Trac [DHP]
Figure 242-910



ITEM	PART NUMBER	QTY	LINE	SERIES	BODY	ENGINE	TRANS	TRIM	DESCRIPTION
10	04167970	1	J, U			ED0, EK0			PAD, Shift Fork
		1	J, U			EN0			
11	83503513	1	J, U			ED0, EK0			SPRING, Mode Shift Fork
		1	J, U			EN0			
12	83503510	1	J, U			ED0, EK0			BRACKET, Shift Mode
		1	J, U			EN0			
13	83503511	1	J, U			ED0, EK0			BRACKET, Shift Mode
		1	J, U			EN0			
14	83503515	1	J, U			ED0, EK0			CUP, Shift Fork Spring
		1	J, U			EN0			
15	01664355	1	J, U			ED0, EK0			PIN, Shift Fork
		1	J, U			EN0			
16	83503516	1	J, U			ED0, EK0			SPRING, Mode Shift Fork
		1	J, U			EN0			
17	83503512	1	J, U			ED0, EK0			WASHER, Flat
		1	J, U			EN0			
18	83503514	1	J, U			ED0, EK0			BUSHING, Shift Rail
		1	J, U			EN0			
19	04638950AB	1	J, U			ED0, EK0			FORK, Transfer Case Mode Shift
		1	J, U			EN0			

LIBERTY (KJ)

SERIES LINE
P = Limited J = LHD (4WD)
H = Sport U = RHD (4WD)
M = Renegade T = LHD (2WD)

BODY
74 = 4 Door (104.3 WB)

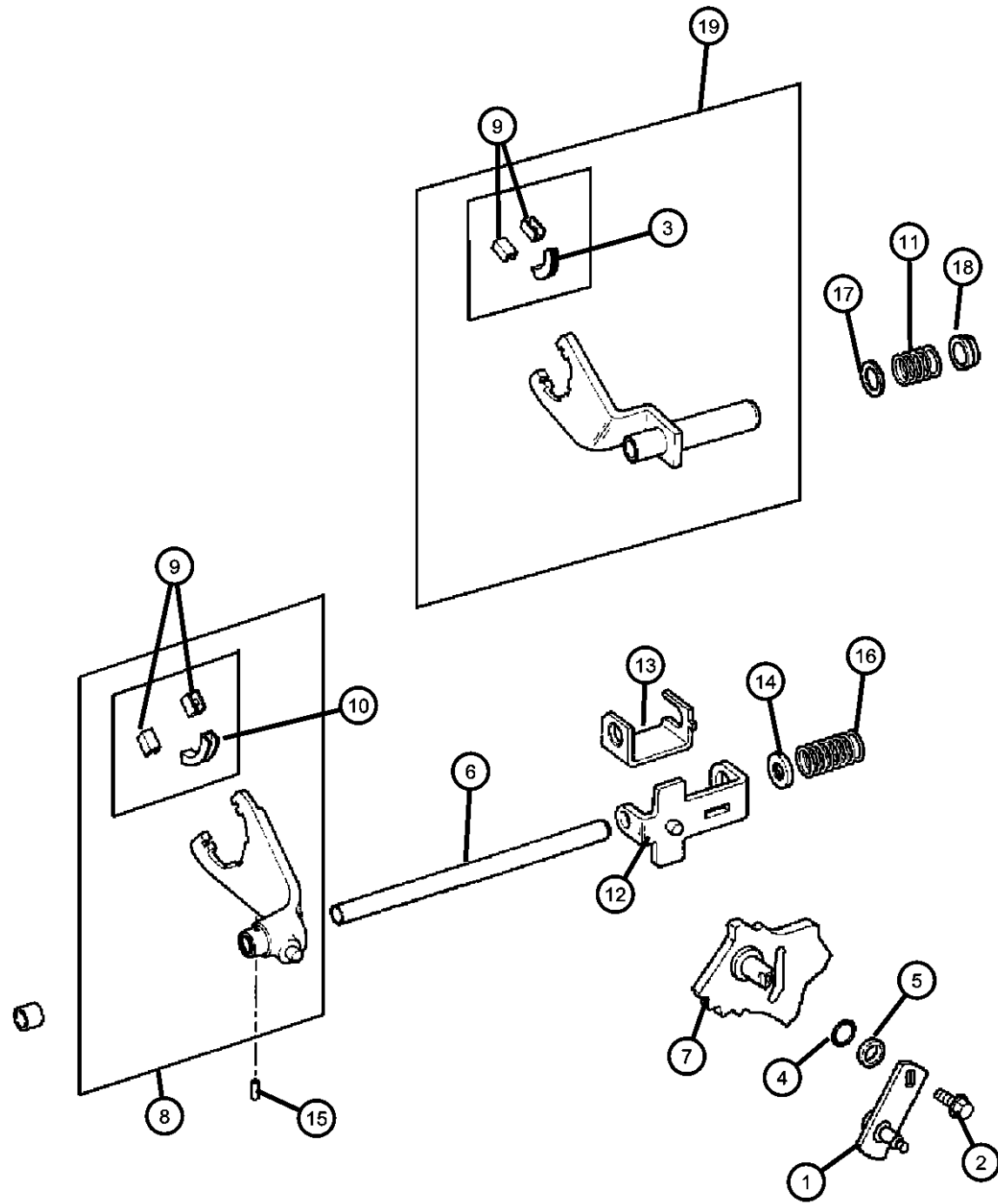
ENGINE
ED1 = Engine - 2.4L 4 Cyl
DOHC 16v SMPI
EKG = Engine - 3.7L V6
ENJ = Engine -2.5L 4 Cyl 16V
Turbo Diesel
ENR = Engine - 2.8L 4 Cyl
Turbo Diesel
EN0 = 4Cyl Turbo Diesel
EK0 = All 3.7L
ED0 = All 2.4L

TRANSMISSION
DDD = Transmission - 5-Speed HD
Manual
DDK = Transmission - 5-Speed HD
Manual
DG4 = Transmission-Multi-Speed
Auto, 45RFE
DG6 = Transmission-4-Spd.
Automatic, 42RLE
DGQ = Transmission-5-Spd Automatic
5-45RFE
DBB = All Manual Transmissions
DG0 = All Automatic Transmissions

AR = use ase required - = Non illustrated part

2004 KJ

Forks and Rails Select Trac [DHP]
Figure 242-910

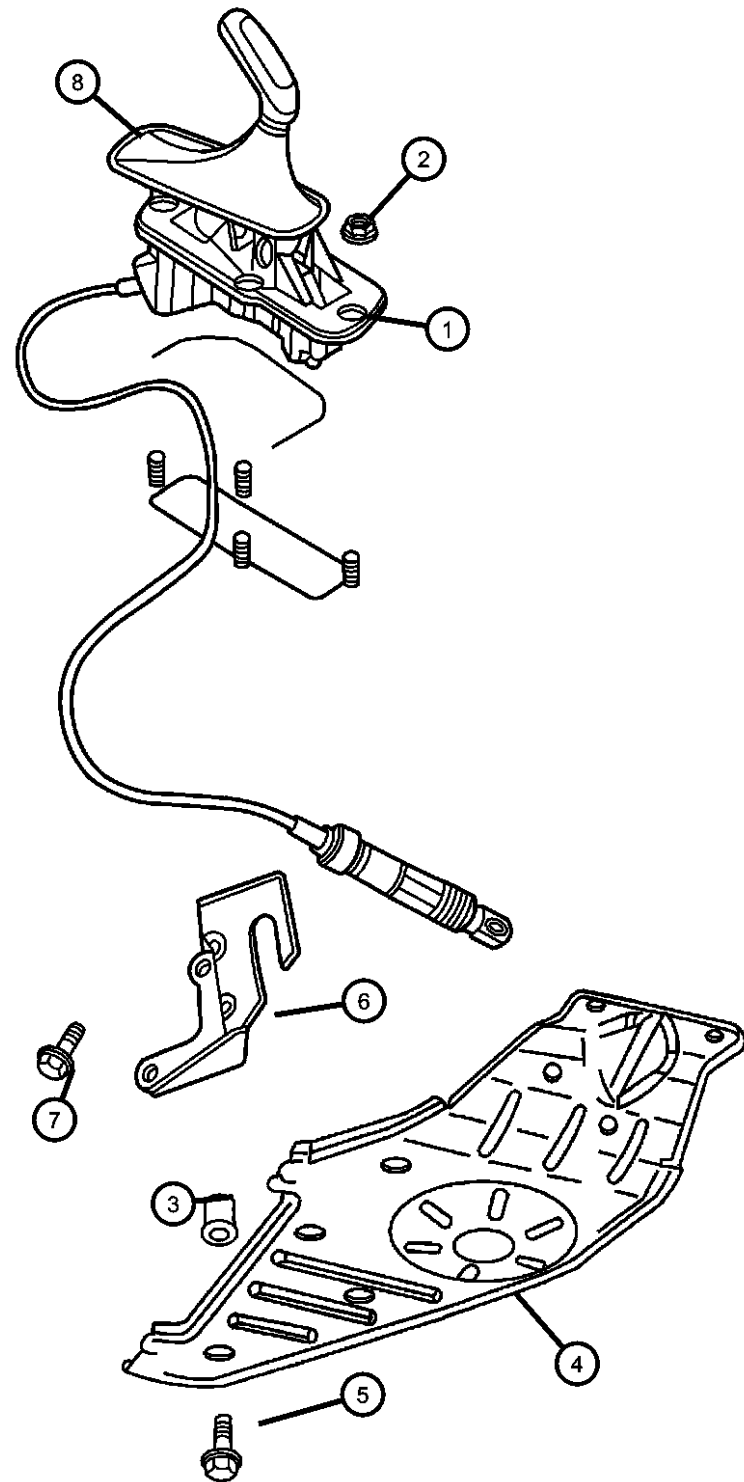


ITEM	PART NUMBER	QTY	LINE	SERIES	BODY	ENGINE	TRANS	TRIM	DESCRIPTION
-20	05072304AA	1	J, U			ED0, EK0			SNAP RING From 9/10/02
		1	J, U			EN0			From 9/10/02
-21	0089331A	1	J, U			ED0, EK0			SNAP RING
		1	J, U			EN0			

LIBERTY (KJ)								
SERIES	LINE	BODY	ENGINE	TRANSMISSION				
P = Limited	J = LHD (4WD)	74 = 4 Door (104.3 WB)	ED1 = Engine - 2.4L 4 Cyl DOHC 16v SMPI	DDD = Transmission - 5-Speed HD Manual				
H = Sport	U = RHD (4WD)		EKG = Engine - 3.7L V6	DDK = Transmission - 5-Speed HD Manual				
M = Renegade	T = LHD (2WD)		ENJ = Engine -2.5L 4 Cyl 16V Turbo Diesel	DG4 = Transmission-Multi-Speed Auto, 45RFE				
			ENR = Engine - 2.8L 4 Cyl Turbo Diesel	DG6 = Transmission-4-Spd. Automatic, 42RLE				
			EN0 = 4Cyl Turbo Diesel	DGQ = Transmission-5-Spd Automatic 5-45RFE				
			EK0 = All 3.7L	DBB = All Manual Transmissions				
			ED0 = All 2.4L	DG0 = All Automatic Transmissions				

AR = use ase required - = Non illustrated part

**Gearshift Controls
Figure 242-1210**



ITEM	PART NUMBER	QTY	LINE	SERIES	BODY	ENGINE	TRANS	TRIM	DESCRIPTION
NOTE: Sales Codes [DBB] = All Manual Transmissions [DG0] = All Automatic Transmissions									
1									SHIFTER, Transfer Case
	52104310AD	1	J						
	52104311AD	1	U						
2	34201358	4							NUT AND WASHER, Hex Nut-Sealing Washer, M6 x 1.00 RIVET
3	06506644AA	4	J, U						
4	52128649AA	1	J, U						PLATE, Transfer Case Skid
5	06506027AA	4	J, U						SCREW, Hex Head
6									BRACKET, Shifter
	52104389AB	1	J, U				DGQ		
	52104390AC	1	J, U				DBB		
	52109747AB	1	J, U				DG6		
7	06101752	3	J, U				DG0		SCREW AND WASHER, Hex Head, M10x1.5x28
8	52109709AB	1	J, U						BOOT, Gearshift

LIBERTY (KJ)

SERIES	LINE
P = Limited	J = LHD (4WD)
H = Sport	U = RHD (4WD)
M = Renegade	T = LHD (2WD)

BODY
74 = 4 Door (104.3 WB)

ENGINE
ED1 = Engine - 2.4L 4 Cyl DOHC 16v SMPI
EKG = Engine - 3.7L V6
ENJ = Engine -2.5L 4 Cyl 16V Turbo Diesel
ENR = Engine - 2.8L 4 Cyl Turbo Diesel
ENO = 4Cyl Turbo Diesel
EKO = All 3.7L
EDO = All 2.4L

TRANSMISSION
DDD = Transmission - 5-Speed HD Manual
DDK = Transmission - 5-Speed HD Manual
DG4 = Transmission-Multi-Speed Auto, 45RFE
DG6 = Transmission-4-Spd. Automatic, 42RLE
DGQ = Transmission-5-Spd Automatic 5-45RFE
DBB = All Manual Transmissions
DG0 = All Automatic Transmissions

AR = use ase required - = Non illustrated part

2004 KJ

Group - 22

Wheels, Covers and Jacks

Group - 22 Wheels, Covers and Jacks

Illustration Title

Group-Fig. No.

Wheels and Hardware

Wheels and Hardware Fig. 22 - 110

Wheel Covers and Center Caps

Wheel Caps..... Fig. 22 - 210

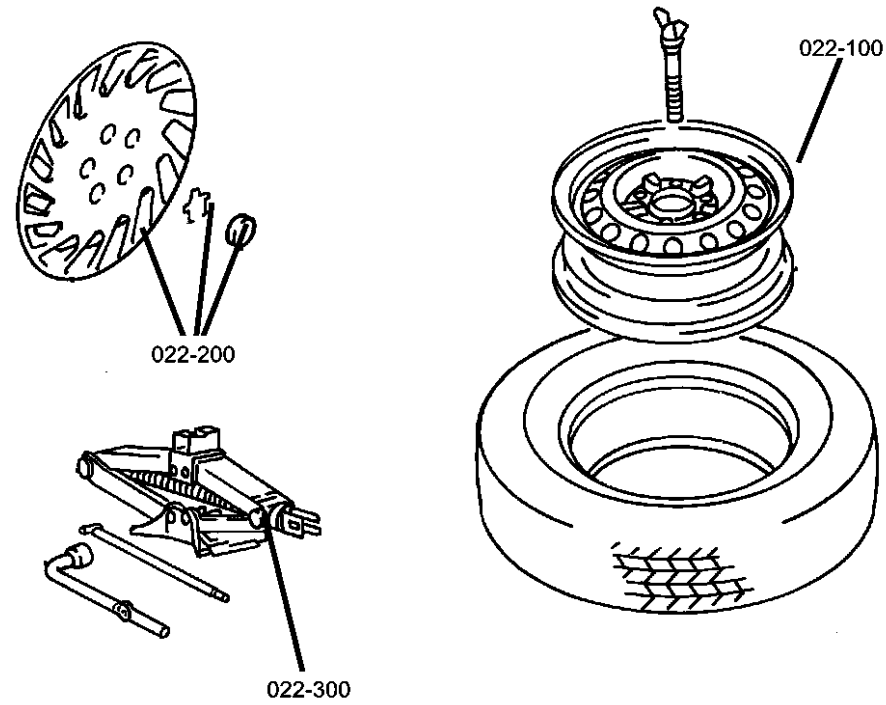
Jack Stowage


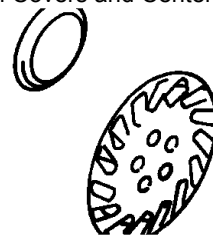
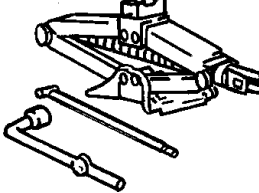
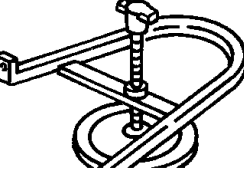
Jack and Hardware Fig. 22 - 310

Spare Tire Stowage

Spare Wheel..... Fig. 22 - 410

Spare Wheel, Export..... Fig. 22 - 420



<p>022-100 Wheels and Hardware</p> 	<p>022-200 Wheel Covers and Center Caps</p> 	<p>022-300 Jack Stowage</p> 	<p>022-400 Spare Tire Stowage</p> 
---	--	---	--

Wheels and Hardware
Figure 22-110

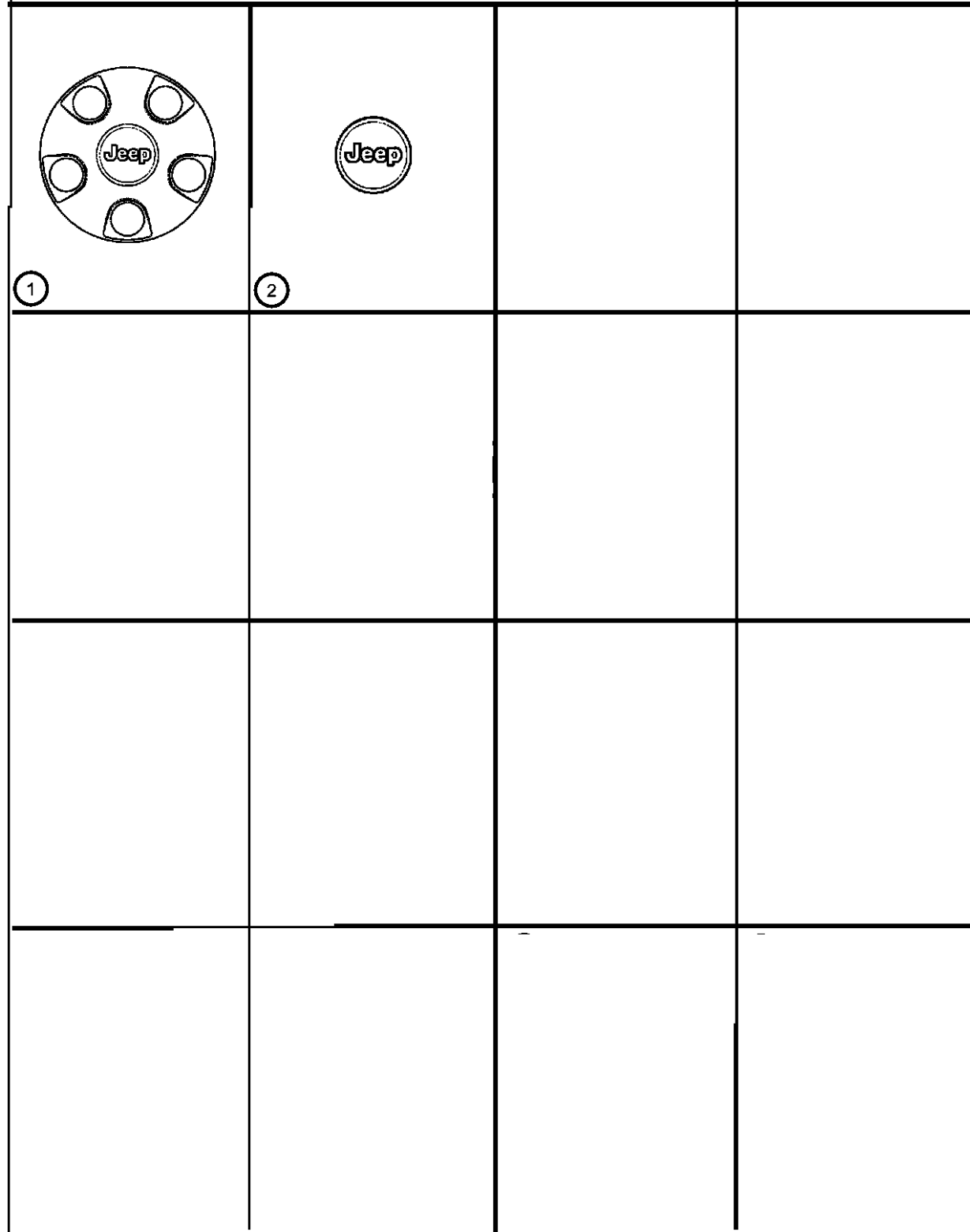
ITEM	PART NUMBER	QTY	LINE	SERIES	BODY	ENGINE	TRANS	TRIM	DESCRIPTION
1									WHEEL, Aluminum
	52128674AA	4							[WGW]
	5GK75ZDRAC	4							[WDN]
	5GL66PAKAD	4							[WND]
	5GL66ZDRAD	4							[WD5]
	5GL67PAKAE	4							[WLD]
2	5GL65S4AAC	4							WHEEL, Steel, [WLC]
3									CAP, Wheel Center
	52059522AA	4							[WD5]
		4							[WND]
		1							[WKB+WND]
		4							[WLD]
		1							[WD5+WKB]
		4							[WNB]
		1							[WNB+WKB]
		4							[WDN]
		1							[WDN+WKB]
		1							[WKB+WLD]
4	02073355	4							STEM, Wheel Valve
5	52088990AC	5							SENSOR, Tire Pressure, Valve stem
-6	52088961AA	5							NUT, Tire Pressure Sensor
7	52109664AA	1							MAGNET
-8	06036310AA	20							NUT, Wheel, .50x20, Road Wheel Mounting

NOTES: Sales Codes
 [WDN] = 16X7.0 Aluminum Wheels
 [WD5] = 16x7.0 Cast Aluminum Wheels
 [WLC] = 16x7.0 Lux Style Steel Wheels
 [WLD] = 16x7.0 Lus Aluminum Wheels
 [WND] = 16x7.0 Cast Aluminum Wheels

LIBERTY (KJ)
 SERIES LINE BODY ENGINE TRANSMISSION
 P = Limited J = LHD (4WD) 74 = 4 Door (104.3 WB) ED1 = Engine - 2.4L 4 Cyl DOHC 16v SMPI DDD = Transmission - 5-Speed HD Manual
 H = Sport U = RHD (4WD) EKG = Engine - 3.7L V6 DDK = Transmission - 5-Speed HD Manual
 M = Renegade T = LHD (2WD) ENJ = Engine -2.5L 4 Cyl 16v Turbo Diesel DG4 = Transmission-Multi-Speed Auto, 45RFE
 ENR = Engine - 2.8L 4 Cyl Turbo Diesel DG6 = Transmission-4-Spd. Automatic, 42RLE
 EN0 = 4Cyl Turbo Diesel DGQ = Transmission-5-Spd Automatic 5-45RFE
 ED0 = All 2.4L DBB = All Manual Transmissions
 DG0 = All Automatic Transmissions

AR = use ase required - = Non illustrated part

Wheel Caps
Figure 22-210



ITEM	PART NUMBER	QTY	LINE	SERIES	BODY	ENGINE	TRANS	TRIM	DESCRIPTION
------	-------------	-----	------	--------	------	--------	-------	------	-------------

Note; Sales Codes
 [WLD,WLC]= 16x7 Lux Aluminum
 [WND]= 16x7 Cast Aluminum
 [WGR]= 17x7.5 Cast Aluminum
 [WGQ]= 17x7.5 Aluminum

1	52128525AA	1							
	5GL69S4AAA	4							
2	52059522AA	4							

CAP, Wheel Center
 [GW,WKB]
 [WLC,WNP]
 CAP, Wheel Center,
 [WND,WDN,WFM]

LIBERTY (KJ)

SERIES LINE
 P = Limited J = LHD (4WD)
 H = Sport U = RHD (4WD)
 M = Renegade T = LHD (2WD)

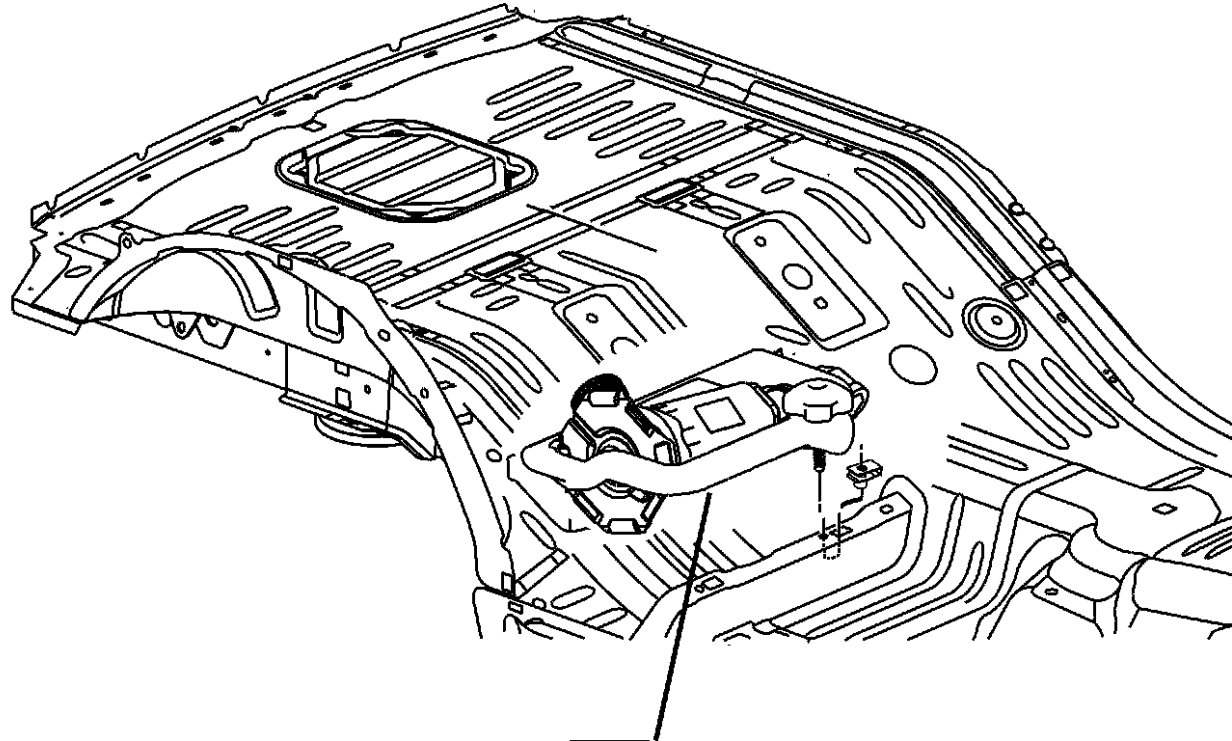
BODY
 74 = 4 Door (104.3 WB)

ENGINE
 ED1 = Engine - 2.4L 4 Cyl
 DOHC 16v SMPI
 EKG = Engine - 3.7L V6
 ENJ = Engine -2.5L 4 Cyl 16V
 Turbo Diesel
 ENR = Engine - 2.8L 4 Cyl
 Turbo Diesel
 EN0 = 4Cyl Turbo Diesel
 EKO = All 3.7L
 ED0 = All 2.4L

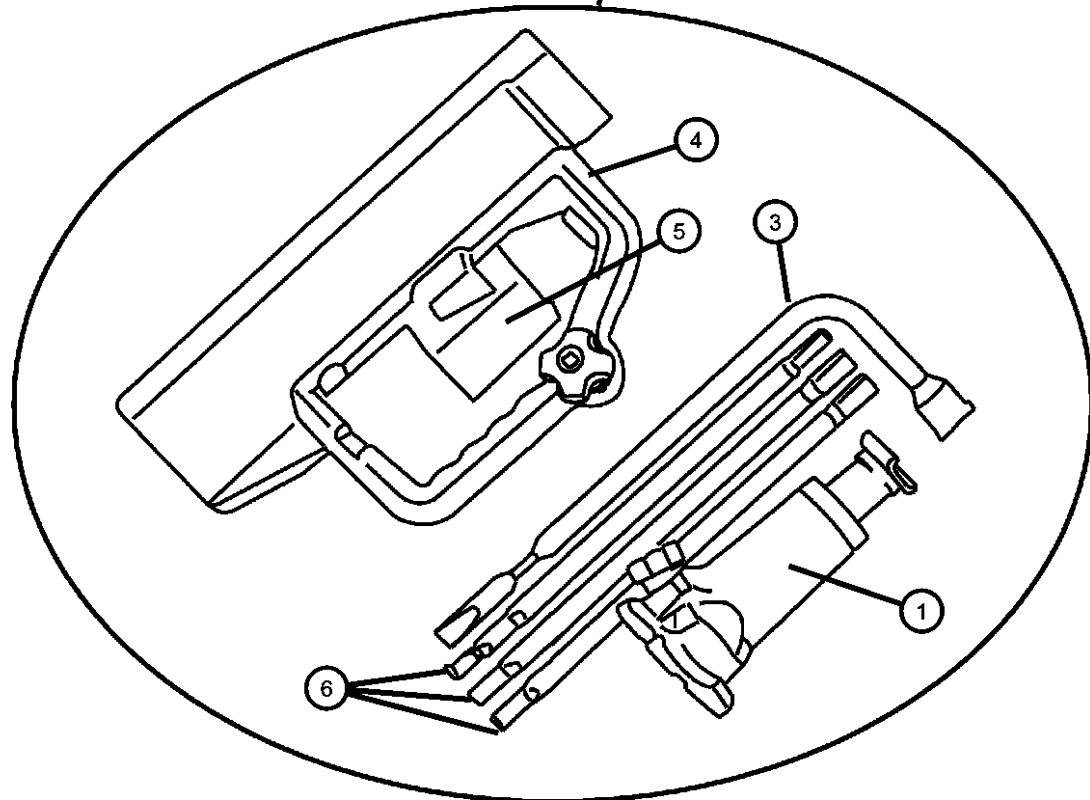
TRANSMISSION
 DDD = Transmission - 5-Speed HD
 Manual
 DDK = Transmission - 5-Speed HD
 Manual
 DG4 = Transmission-Multi-Speed
 Auto, 45RFE
 DG6 = Transmission-4-Spd.
 Automatic, 42RLE
 DGQ = Transmission-5-Spd Automatic
 5-45RFE
 DBB = All Manual Transmissions
 DG0 = All Automatic Transmissions

AR = use ase required - = Non illustrated part

Jack and Hardware
Figure 22-310



ITEM	PART NUMBER	QTY	LINE	SERIES	BODY	ENGINE	TRANS	TRIM	DESCRIPTION
1	52080427AA	1							JACK, Scissor Type Up to 04/14/03
	52110302AA	1							After 04/14/03
-2	05093791AA	1							JACK ASSEMBLY, Screw Type
3	52059478AA	1							WRENCH, Wheel Lug Nut
4									BRACKET AND LOCATOR, Jack Stowage
	52128755AA	1							Screw Type Jack
	52129757AA	1							Bottle Type Jack
5									LABEL, Jack Instructions
	52059371AB	1							[ABA]
	52128756AA	1							
6	05093510AA	1							EXTENSION KIT, JACK HANDLE, Screw Type Jack



LIBERTY (KJ)

SERIES

P = Limited
H = Sport
M = Renegade

LINE

J = LHD (4WD)
U = RHD (4WD)
T = LHD (2WD)

BODY

74 = 4 Door (104.3 WB)

ENGINE

ED1 = Engine - 2.4L 4 Cyl
DOHC 16v SMPI
EKG = Engine - 3.7L V6
ENJ = Engine -2.5L 4 Cyl 16V
Turbo Diesel
ENR = Engine - 2.8L 4 Cyl
Turbo Diesel
ENO = 4Cyl Turbo Diesel
EKO = All 3.7L
EDO = All 2.4L

TRANSMISSION

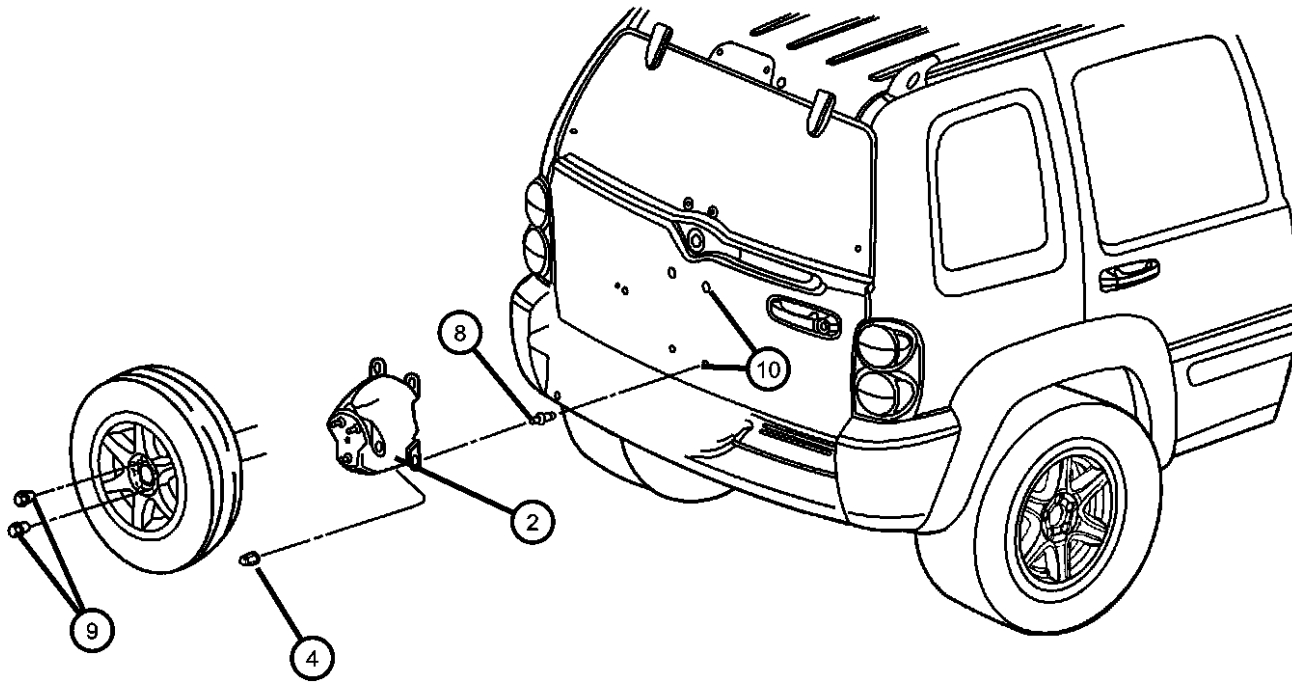
DDD = Transmission - 5-Speed HD
Manual
DDK = Transmission - 5-Speed HD
Manual
DG4 = Transmission-Multi-Speed
Auto, 45RFE
DG6 = Transmission-4-Spd.
Automatic, 42RLE
DGQ = Transmission-5-Spd Automatic
5-45RFE
DBB = All Manual Transmissions
DG0 = All Automatic Transmissions

AR = use ase required - = Non illustrated part

2004 KJ

**Spare Wheel
Figure 22-410**

ITEM	PART NUMBER	QTY	LINE	SERIES	BODY	ENGINE	TRANS	TRIM	DESCRIPTION
Note; Sales Codes [WND]= 16x7 Cast Aluminum [WLD]= 16x7 Lux Aluminum [WGR]= 17x7.5 Cast Aluminum [WGQ]= 17x7.5 Aluminum									
-1									BRACKET, License Plate
	5HF06RXFAI	1	J, U	H, P					
		1	J, U	M					
2	55155933AC	1							BRACKET, Spare Tire
-3	55360585AA	2							GASKET, Spare Tire Bracket
4	06507799AA	4							NUT, Wheel
-5	5GL66PAKAD	4							WHEEL, Aluminum, [WND]
-6	5JG141X7AB	1							COVER, Spare Tire
-7									WHEEL, Steel
	5GL64S4AAA	4							[WNP]
		1							[WKB+WNP]
	5GL65S4AAC	4							[WLC]
		1							[WKB+WLC]
8									STUD
	06507016AA	AR							Repair Outside Spare Tire Carrier
	06507623AA	AR							
9	06036310AA	2							NUT, Wheel, .50x20
10	55360618AA	2							BRACKET, Spare Tire Reinforcement



LIBERTY (KJ)

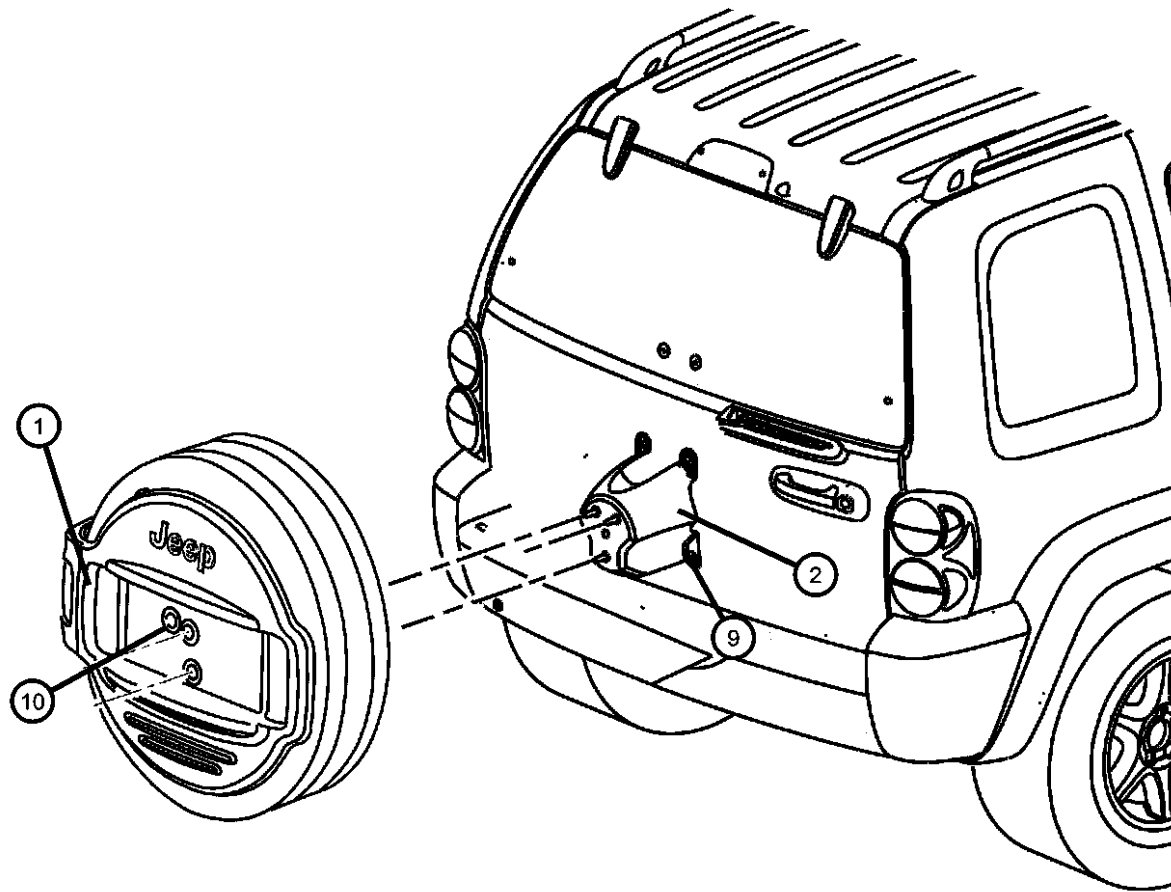
SERIES	LINE	BODY	ENGINE	TRANSMISSION
P = Limited	J = LHD (4WD)	74 = 4 Door (104.3 WB)	ED1 = Engine - 2.4L 4 Cyl DOHC 16v SMPI	DDD = Transmission - 5-Speed HD Manual
H = Sport	U = RHD (4WD)		EKG = Engine - 3.7L V6	DDK = Transmission - 5-Speed HD Manual
M = Renegade	T = LHD (2WD)		ENJ = Engine -2.5L 4 Cyl 16V Turbo Diesel	DG4 = Transmission-Multi-Speed Auto, 45RFE
			ENR = Engine - 2.8L 4 Cyl Turbo Diesel	DG6 = Transmission-4-Spd. Automatic, 42RLE
			ENO = 4Cyl Turbo Diesel	DGQ = Transmission-5-Spd Automatic 5-45RFE
			EKO = All 3.7L	DBB = All Manual Transmissions
			EDO = All 2.4L	DG0 = All Automatic Transmissions

AR = use ase required - = Non illustrated part

Spare Wheel, Export
Figure 22-420

ITEM	PART NUMBER	QTY	LINE	SERIES	BODY	ENGINE	TRANS	TRIM	DESCRIPTION
------	-------------	-----	------	--------	------	--------	-------	------	-------------

NOTES: Sales Codes:
 [CSA] = Spare Tire Cover
 [CSB] = Spare Tire Cover
 [TBR] = Outside Tire Carrier
 [WKB] = Matching Spare Wheel
 [WLD] = 16X7.0 Lux Aluminum Wheels
 [WNP] = 16X7.0 Styled Steel Wheels



1									BRACKET, License Plate
	5HF06RXFAI	1	J, U	H, P					[TBR]
		1	J, U	M					[TBR]
2	55155933AC	1							BRACKET, Spare Tire, [TBR]
-3	06036303AA	2	J, U						NUT, .50-20, [TBR]
-4	06036310AA	2							NUT, Wheel, .50x20, [TBR]
-5	5GL67PAKAB	1							WHEEL, Aluminum, [WKB+WLD]
-6	5GL64S4AAA	1							WHEEL, Steel, [WKB+WNP]
-7									COVER, Spare Tire
	5JG141X7AC	1							[CSA]
	5JG711X7AA	1							[CSB]
-8	06035201	1	J, U						RIVET, [TBR]
9	06507799AA	4							NUT, Wheel, [TBR]
10	06506429AA	2	J, U						SCREW, M8x1.25x21, [TBR]

LIBERTY (KJ)

SERIES	LINE	BODY	ENGINE	TRANSMISSION
P = Limited	J = LHD (4WD)	74 = 4 Door (104.3 WB)	ED1 = Engine - 2.4L 4 Cyl DOHC 16v SMPI	DDD = Transmission - 5-Speed HD Manual
H = Sport	U = RHD (4WD)		EKG = Engine - 3.7L V6	DDK = Transmission - 5-Speed HD Manual
M = Renegade	T = LHD (2WD)		ENJ = Engine -2.5L 4 Cyl 16V Turbo Diesel	DG4 = Transmission-Multi-Speed Auto, 45RFE
			ENR = Engine - 2.8L 4 Cyl Turbo Diesel	DG6 = Transmission-4-Spd. Automatic, 42RLE
			ENO = 4Cyl Turbo Diesel	DGQ = Transmission-5-Spd Automatic 5-45RFE
			EK0 = All 3.7L	DBB = All Manual Transmissions
			ED0 = All 2.4L	DG0 = All Automatic Transmissions

AR = use ase required - = Non illustrated part

2004 KJ

Group - 23D

Wiper/Lock Cylinder and Keys

Group - 23D Wiper/Lock Cylinder and Keys

Illustration Title

Group-Fig. No.

Lock Cylinders and Keys

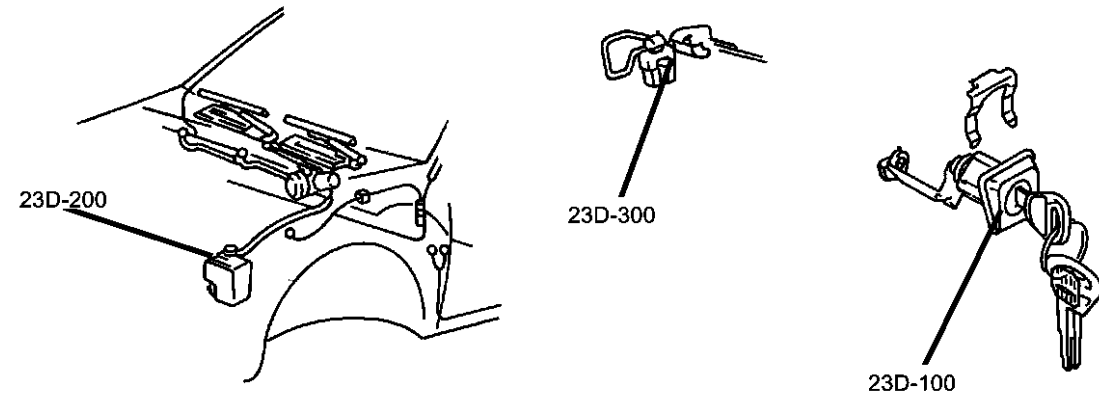
Lock Cylinder and Keys..... Fig. 23D - 110

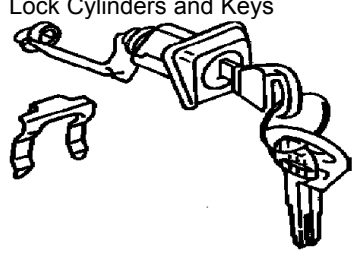
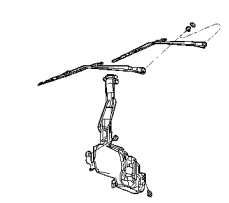

Windshield Wiper and Washer Systems

Windshield Wiper & Washer..... Fig. 23D - 210

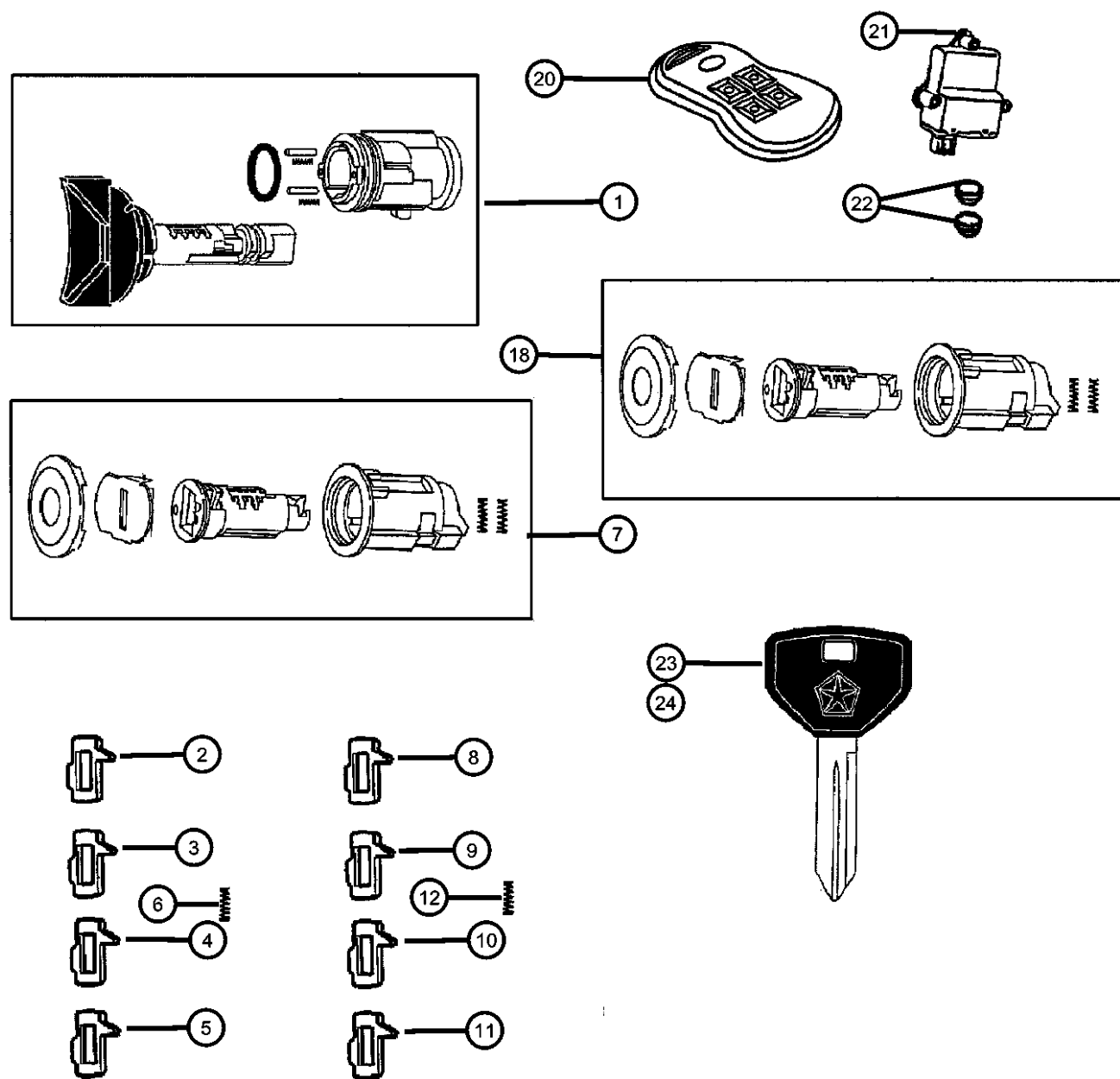
Rear Wiper and Washer System

Rear Wiper & Washer..... Fig. 23D - 310



<p>23D-100 Lock Cylinders and Keys</p> 	<p>23D-200 Windshield Wiper and Washer Systems</p> 	<p>23D-300 Rear Wiper and Washer System</p> 	
--	---	---	--

**Lock Cylinder and Keys
Figure 23D-110**



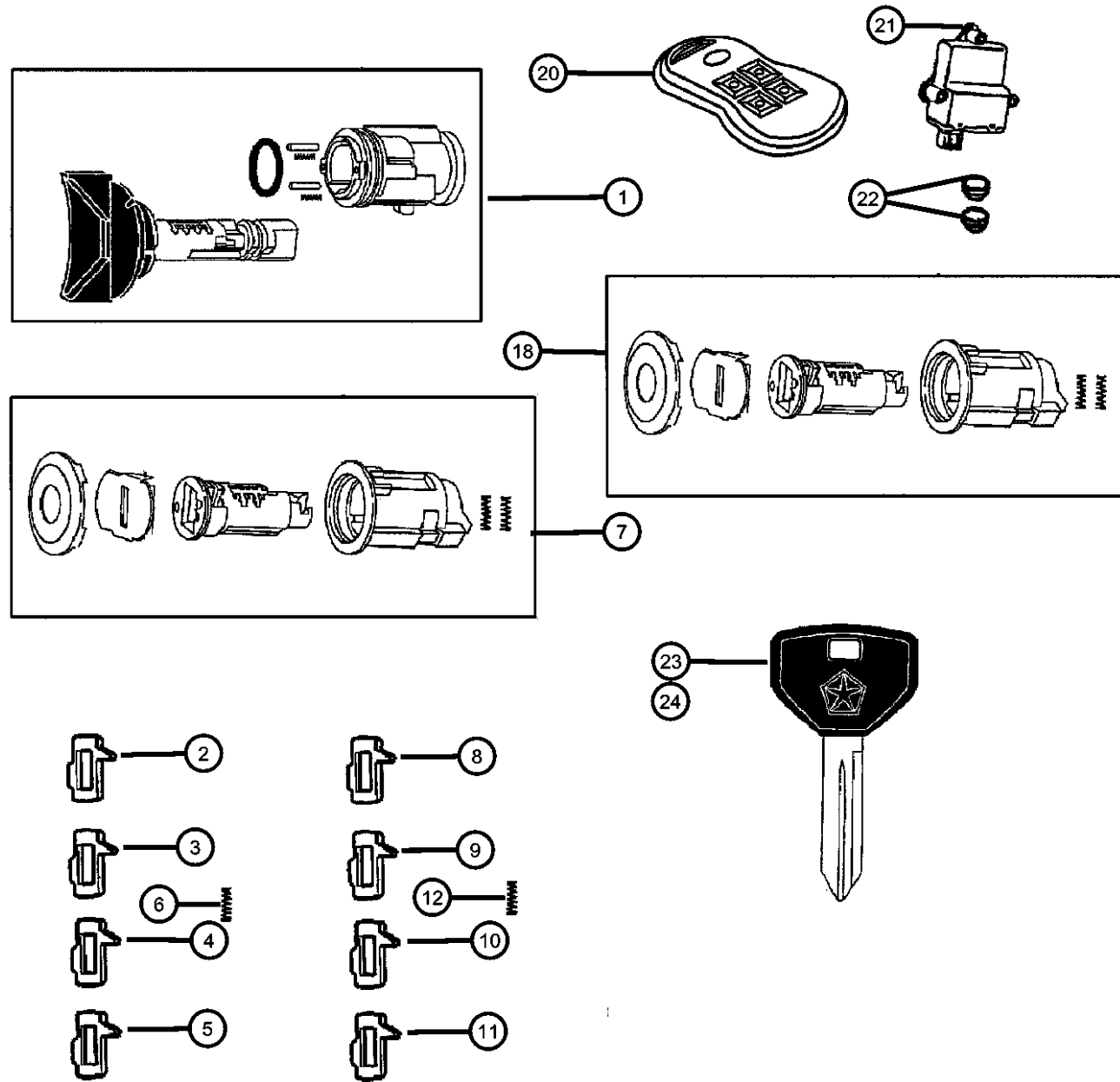
ITEM	PART NUMBER	QTY	LINE	SERIES	BODY	ENGINE	TRANS	TRIM	DESCRIPTION
1	05083915AA	1							CYLINDER, Ignition Lock Europe
2	05257132	1	J, T						TUMBLER, Ignition Number 1, Europe
3	05257133	1							TUMBLER, Ignition Number 2, Europe
4	05257134	1							TUMBLER, Ignition Number 3, Europe
5	05257135	1							TUMBLER, Ignition Number 4, Europe
6	04746873	1							SPRING, Lock Cylinder Tumbler, Europe
7	05013682AA	1	J, T						CYLINDER, Door Lock Europe
8	04778117	1							TUMBLER, Door and Deck Number 1, Wide Europe
9	04778118	1	J, T						TUMBLER, Door and Deck Number 2, Wide Europe
10	04778119	1	J, T						TUMBLER, Door and Deck Number 3, Wide Europe
11	04778120	1	J, T						TUMBLER, Door and Deck Number 4, Wide Europe
12	04778121	7	J, T						SPRING, Door and Deck Tumbler Europe

LIBERTY (KJ)							
SERIES	LINE	BODY	ENGINE	TRANSMISSION			
P = Limited	J = LHD (4WD)	74 = 4 Door (104.3 WB)	ED1 = Engine - 2.4L 4 Cyl DOHC 16v SMPI	DDD = Transmission - 5-Speed HD Manual			
H = Sport	U = RHD (4WD)		EKG = Engine - 3.7L V6	DDK = Transmission - 5-Speed HD Manual			
M = Renegade	T = LHD (2WD)		ENJ = Engine -2.5L 4 Cyl 16V Turbo Diesel	DG4 = Transmission-Multi-Speed Auto, 45RFE			
			ENR = Engine - 2.8L 4 Cyl Turbo Diesel	DG6 = Transmission-4-Spd. Automatic, 42RLE			
			ENO = 4Cyl Turbo Diesel	DGQ = Transmission-5-Spd Automatic 5-45RFE			
			EK0 = All 3.7L	DBB = All Manual Transmissions			
			ED0 = All 2.4L	DG0 = All Automatic Transmissions			

AR = use ase required - = Non illustrated part

2004 KJ

**Lock Cylinder and Keys
Figure 23D-110**



ITEM	PART NUMBER	QTY	LINE	SERIES	BODY	ENGINE	TRANS	TRIM	DESCRIPTION
-13	05071039AA	1	J, T						LEVER, Door Lock
		1							Europe
-14	05071063AA	1	J, T						RETAINER, Lock Rod
		1							Europe, Right Door
	05071155AA	1	J, T						, Right Door
		1							Europe, Left Door
		1							Left Door
-15	05072944AA	1	J, T						ROD, Lock Cylinder
-16	55360636AA	1	J, T						BRACKET, Door Inside
	55360659AA	1							Europe
-17	05071201AA	1	J, T						SPACER, Lock Cylinder
		1							Europe
18	05013682AA	1	J, T						CYLINDER, Door Lock
	05072294AA	1							Europe
-19	05071201AA	1	J, T						SPACER, Lock Cylinder
		1							
20	04602260AA	2							TRANSMITTER, Keyless Entry
									Remote with 4 Button
	04602261AB	2							Remote with 4 Button (Export)
	56010562AB	2							Remote with 315MHZ BCM Interconnect (Export)
21	56010209AC	1							MODULE, Immobilizer, (Located on the Steering Column)
22	83504802	2							BATTERY, Transmitter
23	05018700AA	1	J, T						KEY, Master, MASTER KEY JEEP
24	05018699AA	1							KEY, Blank

LIBERTY (KJ)

SERIES LINE
P = Limited J = LHD (4WD)
H = Sport U = RHD (4WD)
M = Renegade T = LHD (2WD)

BODY
74 = 4 Door (104.3 WB)

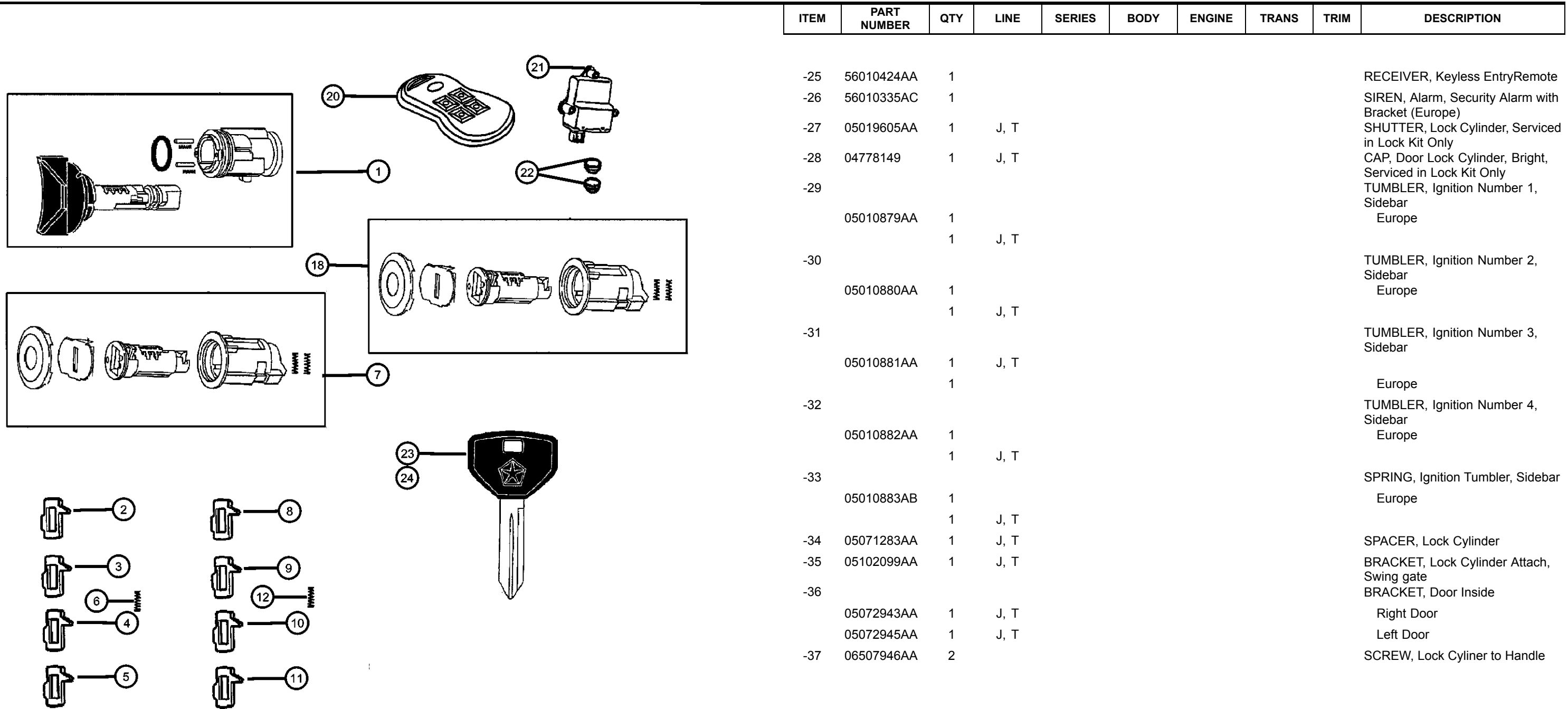
ENGINE
ED1 = Engine - 2.4L 4 Cyl DOHC 16v SMPI
EKG = Engine - 3.7L V6
ENJ = Engine -2.5L 4 Cyl 16V Turbo Diesel
ENR = Engine - 2.8L 4 Cyl Turbo Diesel
ENO = 4Cyl Turbo Diesel
EKO = All 3.7L
EDO = All 2.4L

TRANSMISSION
DDD = Transmission - 5-Speed HD Manual
DDK = Transmission - 5-Speed HD Manual
DG4 = Transmission-Multi-Speed Auto, 45RFE
DG6 = Transmission-4-Spd. Automatic, 42RLE
DGQ = Transmission-5-Spd Automatic 5-45RFE
DBB = All Manual Transmissions
DG0 = All Automatic Transmissions

AR = use ase required - = Non illustrated part

2004 KJ

**Lock Cylinder and Keys
Figure 23D-110**



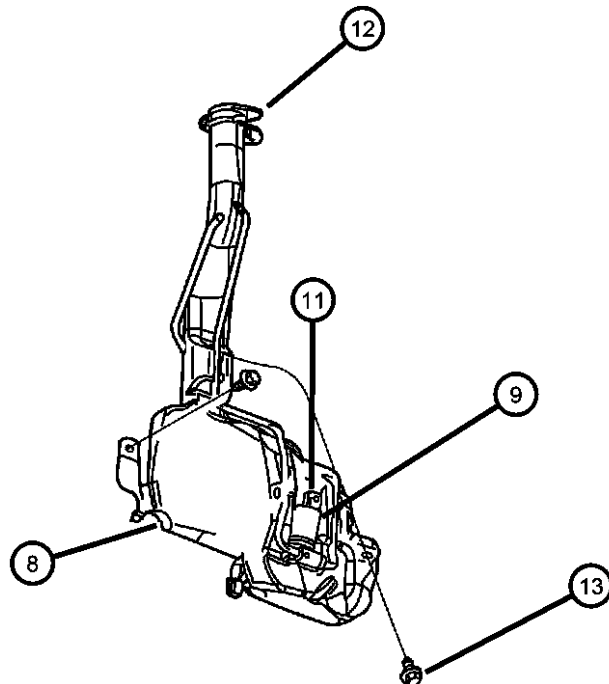
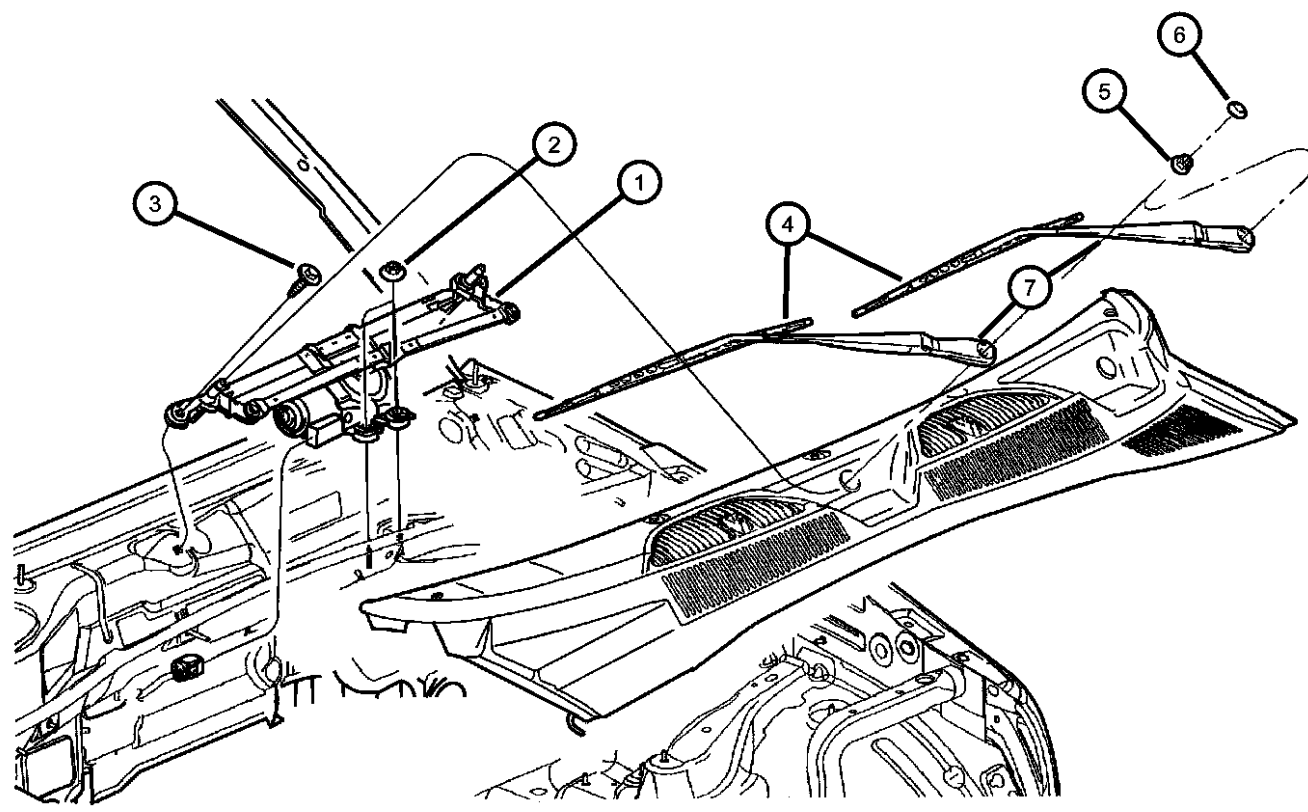
ITEM	PART NUMBER	QTY	LINE	SERIES	BODY	ENGINE	TRANS	TRIM	DESCRIPTION
-25	56010424AA	1							RECEIVER, Keyless EntryRemote
-26	56010335AC	1							SIREN, Alarm, Security Alarm with Bracket (Europe)
-27	05019605AA	1	J, T						SHUTTER, Lock Cylinder, Serviced in Lock Kit Only
-28	04778149	1	J, T						CAP, Door Lock Cylinder, Bright, Serviced in Lock Kit Only
-29	05010879AA	1							TUMBLER, Ignition Number 1, Sidebar Europe
-30	05010880AA	1	J, T						TUMBLER, Ignition Number 2, Sidebar Europe
-31	05010881AA	1	J, T						TUMBLER, Ignition Number 3, Sidebar Europe
-32	05010882AA	1	J, T						TUMBLER, Ignition Number 4, Sidebar Europe
-33	05010883AB	1							SPRING, Ignition Tumbler, Sidebar Europe
-34	05071283AA	1	J, T						SPACER, Lock Cylinder
-35	05102099AA	1	J, T						BRACKET, Lock Cylinder Attach, Swing gate
-36	05072943AA	1	J, T						BRACKET, Door Inside Right Door
	05072945AA	1	J, T						Left Door
-37	06507946AA	2							SCREW, Lock Cylinder to Handle

LIBERTY (KJ)

SERIES	LINE	BODY	ENGINE	TRANSMISSION
P = Limited	J = LHD (4WD)	74 = 4 Door (104.3 WB)	ED1 = Engine - 2.4L 4 Cyl DOHC 16v SMPI	DDD = Transmission - 5-Speed HD Manual
H = Sport	U = RHD (4WD)		EKG = Engine - 3.7L V6	DDK = Transmission - 5-Speed HD Manual
M = Renegade	T = LHD (2WD)		ENJ = Engine -2.5L 4 Cyl 16v Turbo Diesel	DG4 = Transmission-Multi-Speed Auto, 45RFE
			ENR = Engine - 2.8L 4 Cyl Turbo Diesel	DG6 = Transmission-4-Spd. Automatic, 42RLE
			ENO = 4Cyl Turbo Diesel	DGQ = Transmission-5-Spd Automatic 5-45RFE
			EKO = All 3.7L	DBB = All Manual Transmissions
			EDO = All 2.4L	DG0 = All Automatic Transmissions

AR = use ase required - = Non illustrated part

**Windshield Wiper & Washer
Figure 23D-210**

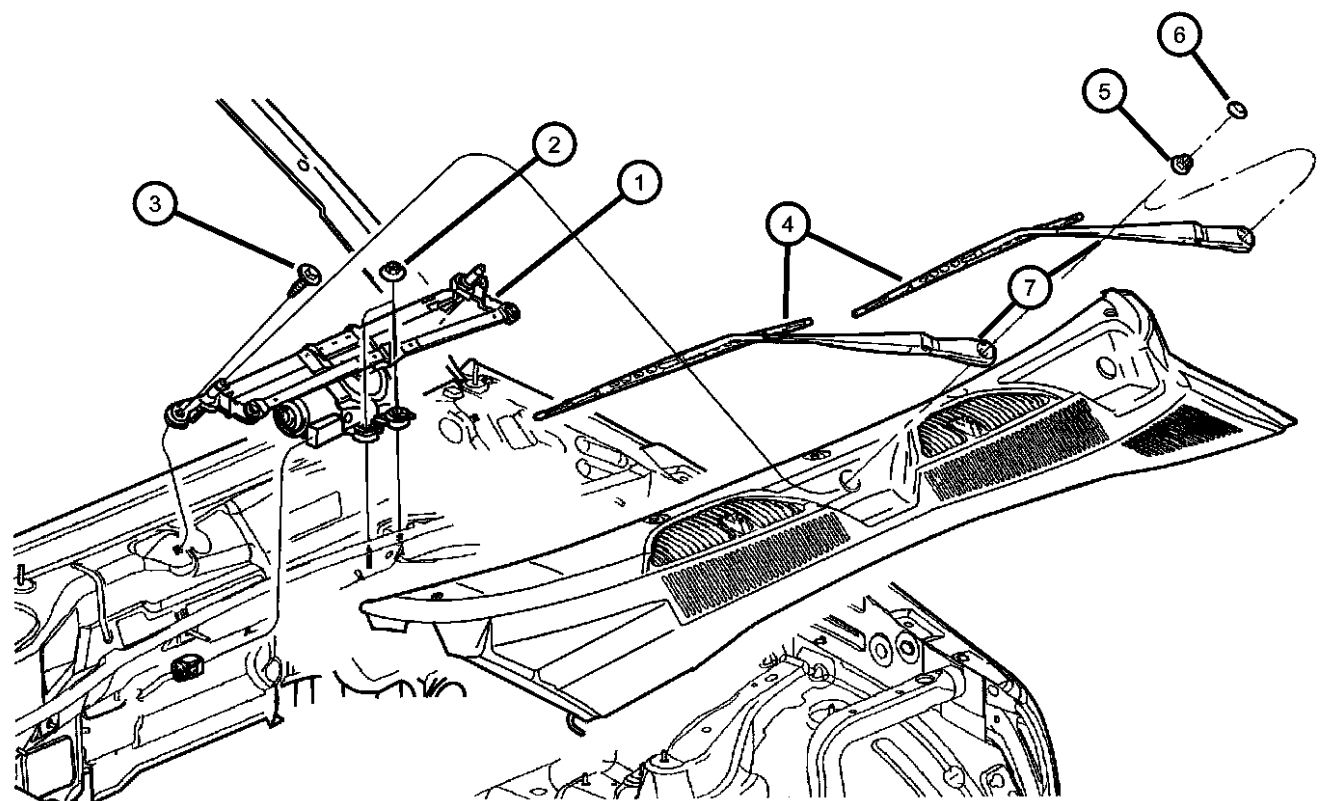


ITEM	PART NUMBER	QTY	LINE	SERIES	BODY	ENGINE	TRANS	TRIM	DESCRIPTION
1									MODULE, Wiper
	55155894AD	1	U						
	55155895AD	1	J, T						
2	34201358	2							NUT AND WASHER, Hex Nut-Sealing Washer, M6 x 1.00
3	34201358	2							SCREW, Hex Flange Head, M6x1.00x35.00, (NOT SERVICED)
4									BLADE, Wiper
	05066973AA	1	U						For [RHD], Right
	05066974AA	1	U						For [RHD], Left
	WBFLAT02AA								Mopar Alternative Flat Blade Set
	WBW00019AD								Mopar Alternative Winter Wiper Blades
	WB000019AE								Mopar V-Line Alternative Part
		1	J, T						Left
	WBFLAT02AA								Mopar Alternative Flat Blade Set
	WBW00019AD								Mopar Alternative Winter Wiper Blades
	WB000019AE								Mopar V-Line Alternative Part
		1	J, T						Right
	WBFLAT02AA								Mopar Alternative Flat Blade Set
	WBW00019AD								Mopar Alternative Winter Wiper Blades
	WB000019AE								Mopar V-Line Alternative Part
5	06503335	2							NUT, Hex, M10X1.25
6	55155765AA	2							CAP, Wiper Arm Nut
7									ARM, Wiper
	05066968AA	1	J						Europe, Left
	05066969AA	1	U						For [RHD], Right
	05066970AA	1	J, T						Right
	05066971AA	1	U						For [RHD], Left
	05096337AA	1	J, T						Left
8	05066867AA	1							RESERVOIR, Washer

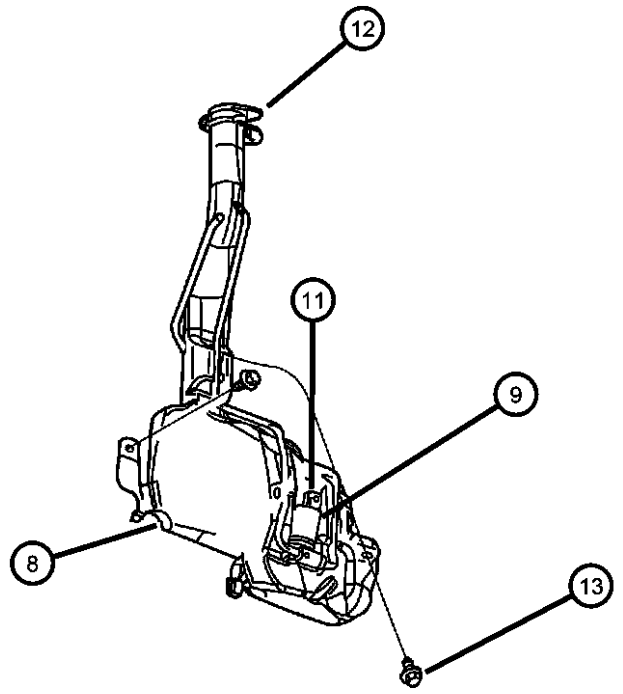
LIBERTY (KJ)				
SERIES	LINE	BODY	ENGINE	TRANSMISSION
P = Limited	J = LHD (4WD)	74 = 4 Door (104.3 WB)	ED1 = Engine - 2.4L 4 Cyl DOHC 16v SMPI	DDD = Transmission - 5-Speed HD Manual
H = Sport	U = RHD (4WD)		EKG = Engine - 3.7L V6	DDK = Transmission - 5-Speed HD Manual
M = Renegade	T = LHD (2WD)		ENJ = Engine -2.5L 4 Cyl 16V Turbo Diesel	DG4 = Transmission-Multi-Speed Auto, 45RFE
			ENR = Engine - 2.8L 4 Cyl Turbo Diesel	DG6 = Transmission-4-Spd. Automatic, 42RLE
			ENO = 4Cyl Turbo Diesel	DGQ = Transmission-5-Spd Automatic 5-45RFE
			EK0 = All 3.7L	DBB = All Manual Transmissions
			ED0 = All 2.4L	DG0 = All Automatic Transmissions

AR = use ase required - = Non illustrated part

**Windshield Wiper & Washer
Figure 23D-210**



ITEM	PART NUMBER	QTY	LINE	SERIES	BODY	ENGINE	TRANS	TRIM	DESCRIPTION
9	05066880AB	1							PUMP, Washer, Windshield
-10	05011809AA	1							GROMMET, Windshield Washer Pump
11	04882797	1							SENSOR, Washer Fluid Level
12	05066881AA	1							CAP, Washer Reservoir
13	06034716	2							SCREW AND WASHER, Hex Flange Head, .25-14x.875
-14									HOSE 1FT, Windshield Washer, 5/32"
	HWV00532AB	1	J, T						
		1	J, U						
-15									NOZZLE, Washer, Windshield
	55155854AB	2	J, T						
		2	U						
-16									HOSE, Washer Reservoir
	55155892AC	1	J, T						
		1	U						
-17	04778097	2							GROMMET, WIPER FRAME
-18	06036456AA	1							RIVET, Wiper Cap to Core Support
-19	05013755AA	1							GROMMET, Washer Level Sensor

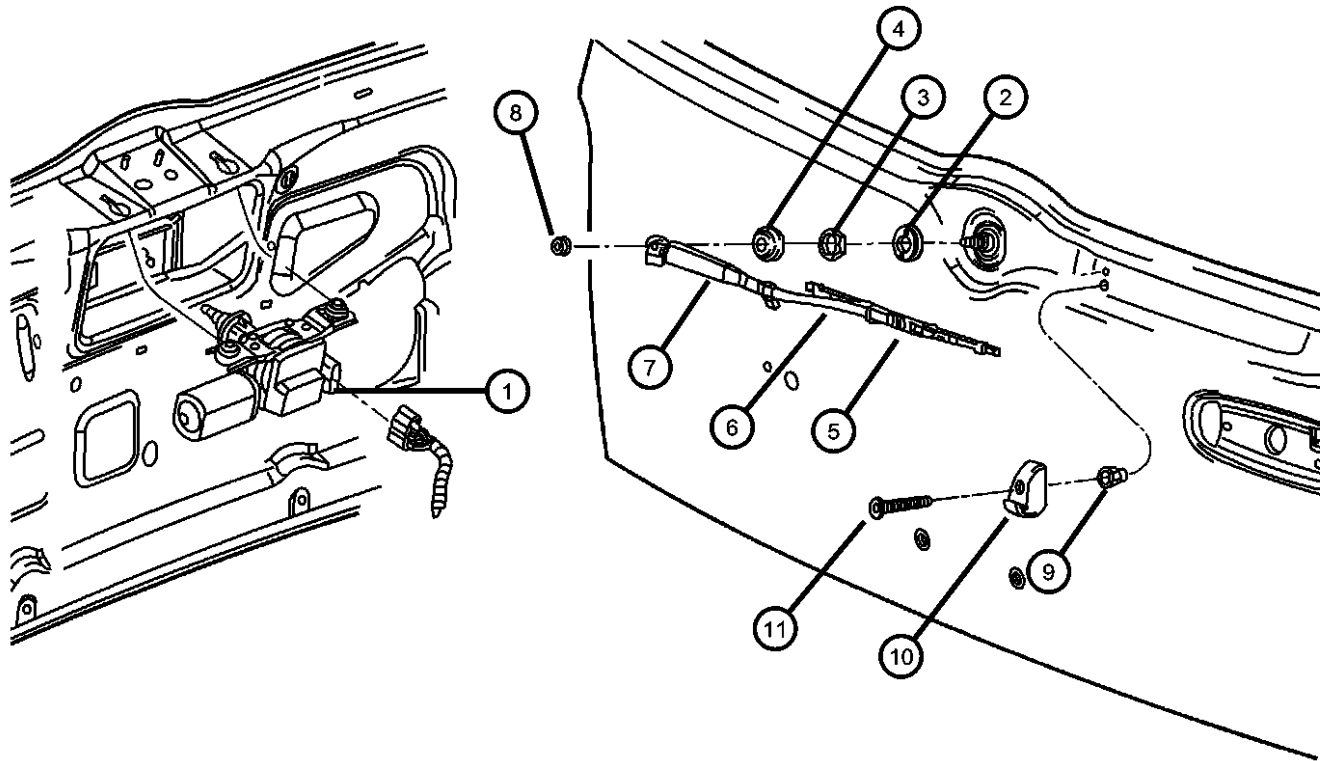
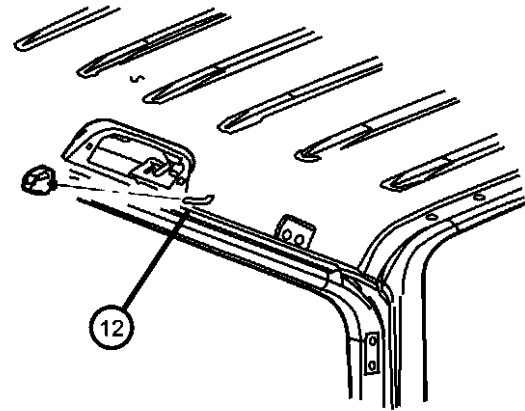


LIBERTY (KJ)				
SERIES	LINE	BODY	ENGINE	TRANSMISSION
P = Limited	J = LHD (4WD)	74 = 4 Door (104.3 WB)	ED1 = Engine - 2.4L 4 Cyl DOHC 16v SMPI	DDD = Transmission - 5-Speed HD Manual
H = Sport	U = RHD (4WD)		EKG = Engine - 3.7L V6	DDK = Transmission - 5-Speed HD Manual
M = Renegade	T = LHD (2WD)		ENJ = Engine -2.5L 4 Cyl 16V Turbo Diesel	DG4 = Transmission-Multi-Speed Auto, 45RFE
			ENR = Engine - 2.8L 4 Cyl Turbo Diesel	DG6 = Transmission-4-Spd. Automatic, 42RLE
			ENO = 4Cyl Turbo Diesel	DGQ = Transmission-5-Spd Automatic 5-45RFE
			EK0 = All 3.7L	DBB = All Manual Transmissions
			ED0 = All 2.4L	DG0 = All Automatic Transmissions

AR = use ase required - = Non illustrated part

Rear Wiper & Washer
Figure 23D-310

ITEM	PART NUMBER	QTY	LINE	SERIES	BODY	ENGINE	TRANS	TRIM	DESCRIPTION
1	55155884AB	1							MOTOR, Wiper
2	55155887AB	1							BEZEL, Wiper Motor
3	06507801AA	1							NUT, Hex, M20x1.00
4	55076650	1							COVER, Rear Wiper Motor
5	05066964AA	1							BLADE, Wiper
	WBRW0011AB								Mopar V-Line Alternative Part
6	05066965AA	1							ARM, Liftgate Wiper
7	06500165	1							NUT, Wiper Arm
8	06503245	2							RIVET
9	55155886AA	1							RAMP, Wiper Park
10	06505062AA	1							SCREW, Pilot Point
11	55156158AD	1							NOZZLE, Washer, Windshield
-12	HWV00532AB	1	J, T						HOSE 1FT, Windshield Washer, 5/32"
-13	55156260AA	1							CLIP, Hose



LIBERTY (KJ)

SERIES

P = Limited
H = Sport
M = Renegade

LINE

J = LHD (4WD)
U = RHD (4WD)
T = LHD (2WD)

BODY

74 = 4 Door (104.3 WB)

ENGINE

ED1 = Engine - 2.4L 4 Cyl
DOHC 16v SMPI
EKG = Engine - 3.7L V6
ENJ = Engine -2.5L 4 Cyl 16V
Turbo Diesel
ENR = Engine - 2.8L 4 Cyl
Turbo Diesel
EN0 = 4Cyl Turbo Diesel
EKO = All 3.7L
EDO = All 2.4L

TRANSMISSION

DDD = Transmission - 5-Speed HD
Manual
DDK = Transmission - 5-Speed HD
Manual
DG4 = Transmission-Multi-Speed
Auto, 45RFE
DG6 = Transmission-4-Spd.
Automatic, 42RLE
DGQ = Transmission-5-Spd Automatic
5-45RFE
DBB = All Manual Transmissions
DG0 = All Automatic Transmissions

AR = use ase required - = Non illustrated part

2004 KJ

Group - 24

Air Conditioning & Heater

Group - 24 Air Conditioning & Heater

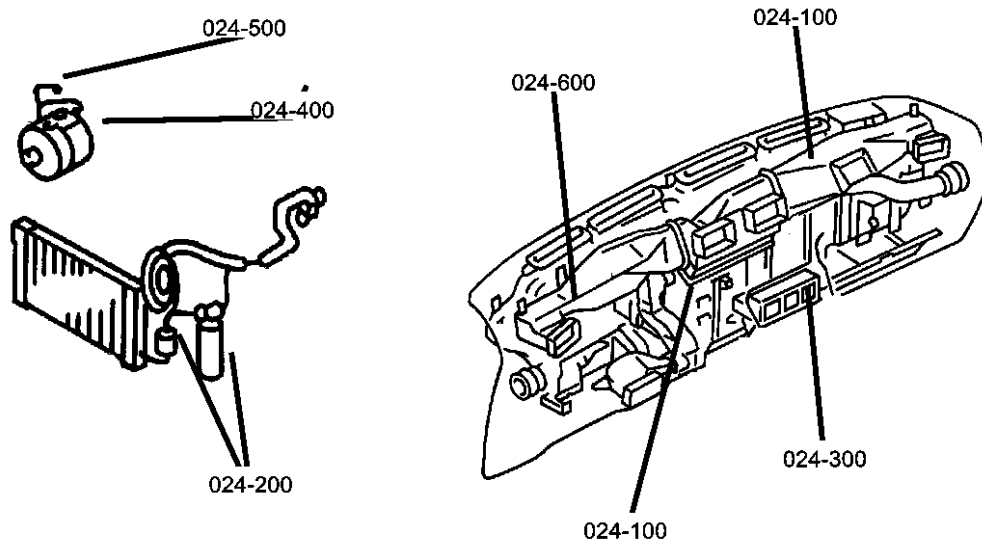


Illustration Title

Group-Fig. No.

Air Conditioner and Heater Units

HEVAC Unit.....Fig. 24 - 110

Air Conditioner and Heater Plumbing

Plumbing, Heater 2.4L Engine, LHD.....Fig. 24 - 210
 Plumbing, Heater 2.4L Engine, RHD.....Fig. 24 - 220
 Plumbing, Heater 3.7L Engine, LHD.....Fig. 24 - 230
 Plumbing, Heater 3.7L Engine, RHD.....Fig. 24 - 240
 Plumbing, Heater 2.5,2.8L Diesel Engine, LHD.....Fig. 24 - 250
 Plumbing, Heater 2.5,2.8L Diesel Engine, RHD.....Fig. 24 - 260
 Plumbing, Air Conditioning 2.4L Engine, LHD.....Fig. 24 - 270
 Plumbing, Air Conditioning 2.4L Engine, RHD.....Fig. 24 - 280
 Plumbing, Air Conditioning 3.7L Engine, LHD.....Fig. 24 - 285
 Plumbing, Air Conditioning 3.7L Engine, RHD.....Fig. 24 - 288
 Plumbing, Air Conditioning 2.5,2.8L Diesel Engine, LHD.....Fig. 24 - 290
 Plumbing, Air Conditioning 2.5,2.8L Diesel Engine, RHD.....Fig. 24 - 295

Air Conditioner and Heater Controls

Control, Heater and Air Conditioning.....Fig. 24 - 310

Air Conditioning Compressor

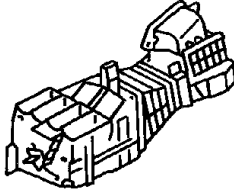
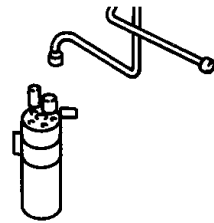
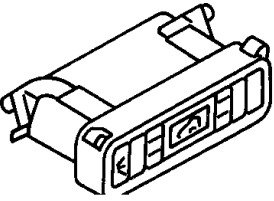
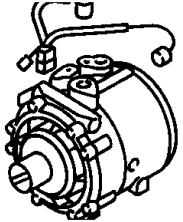
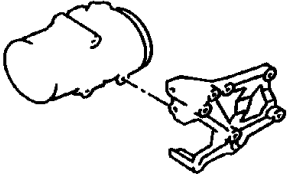
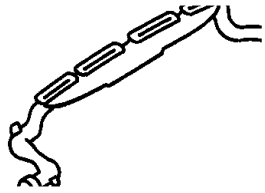
Compressor, 2.4L - 3.7L Engine.....Fig. 24 - 410
 Compressor, 2.5,2.8L Diesel Engine.....Fig. 24 - 430

Air Conditioning Compressor Mounting

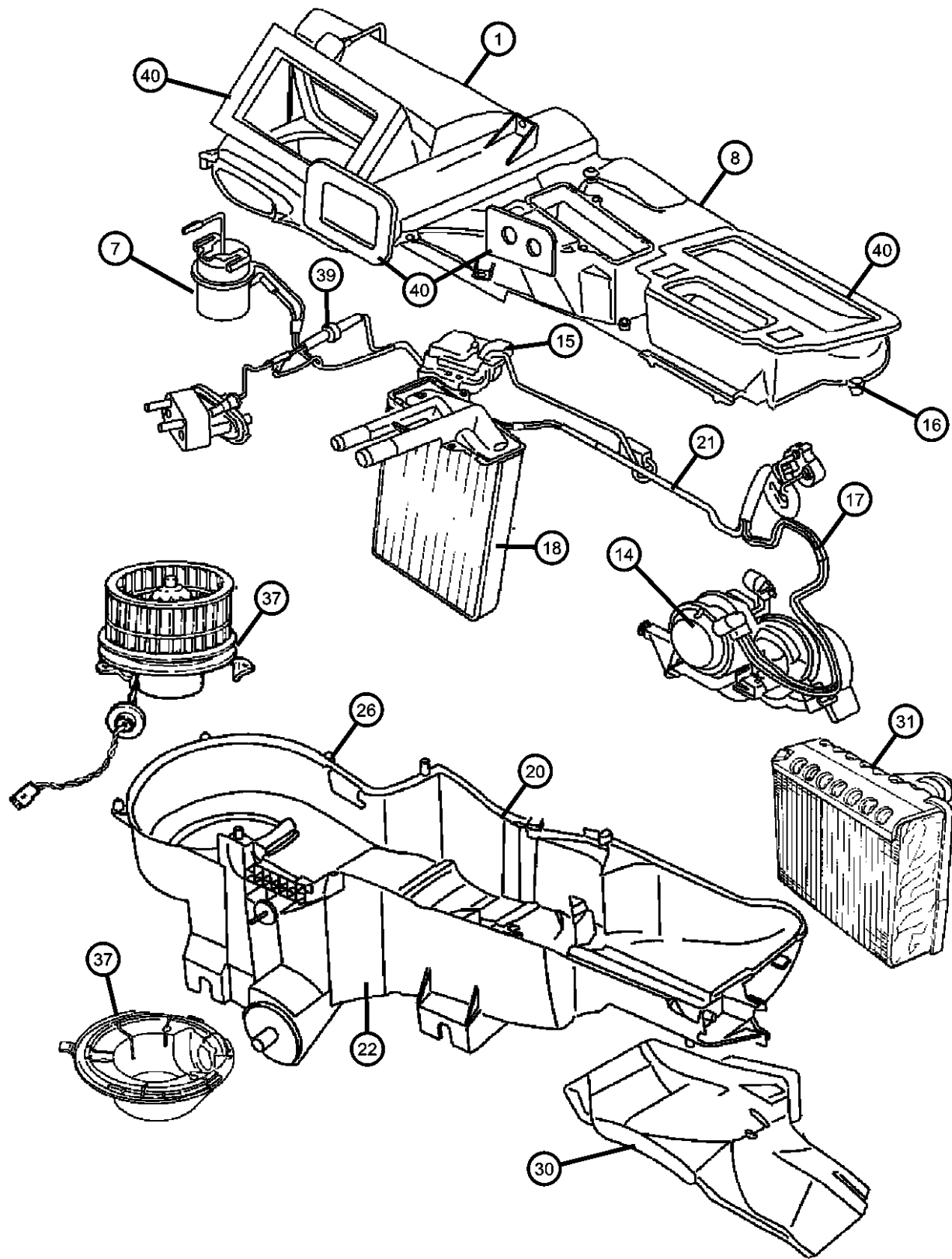
Compressor Mounting, 2.4L - 3.7L Engine.....Fig. 24 - 510
 Compressor Mounting, 2.5,2.8L Diesel Engine.....Fig. 24 - 530

Air Ducts and Outlets

Air Distribution Ducts.....Fig. 24 - 610

<p>024-100 Air Conditioner and Heater Units</p> 	<p>024-200 Air Conditioner and Heater Plumbing</p> 	<p>024-300 Air Conditioner and Heater Controls</p> 	<p>024-400 Air Conditioning Compressor</p> 
<p>024-500 Air Conditioning Compressor Mounting</p> 	<p>024-600 Air Ducts and Outlets</p> 		

HEVAC Unit
Figure 24-110



ITEM	PART NUMBER	QTY	LINE	SERIES	BODY	ENGINE	TRANS	TRIM	DESCRIPTION
1	05066496AA	1	J, T						HOUSING, Air Inlet
	05066507AA	1	U						
-2	05066507AA	1							HOUSING, Air Inlet, (NOT SERVICED)
-3	05066507AA	1							DOOR, Air Inlet, (NOT SERVICED)
-4	05066507AA	1							CAM, Recirculating Door, (NOT SERVICED)
-5	05066507AA	1							LEVER, A/C Recirculation Door, (NOT SERVICED)
-6	05066507AA	1							SEAL, Air Inlet, (NOT SERVICED)
7									ACTUATOR, A/C and Heater
	05066510AA	1	J, T						Recirculation Door, Vacuumed Controlled
	05066511AA	1	U						
8									HOUSING, A/C Upper
	05066501AA	1	J, T						
	05066509AA	1	U						
-9	05066509AA	1							HOUSING, A/C Upper, (NOT SERVICED)
-10	05066509AA	1							DOOR, Panel, (NOT SERVICED)
-11	05066509AA	1							LEVER, Panel Door, (NOT SERVICED)
-12	05066509AA	1							SEAL, Evaporator, Tubes To Dash, (NOT SERVICED)
-13	05066509AA	1							SEAL, Defroster To Panel, (NOT SERVICED)
14									ACTUATOR, A/C and Heater
	05066518AA	1	J, T						Floor and Defrost Door, Vacuumed Controlled
		1	U						Floor and Defrost Door, Vacuumed Controlled
15									ACTUATOR, A/C and Heater
	05066519AA	1	J, T						Blend Door, Electric Controlled
	05066522AA	1	U						
16	04734227	22	J, T						SCREW, Hex Head, M4.8-1.59x19

LIBERTY (KJ)

SERIES LINE
P = Limited J = LHD (4WD)
H = Sport U = RHD (4WD)
M = Renegade T = LHD (2WD)

BODY
74 = 4 Door (104.3 WB)

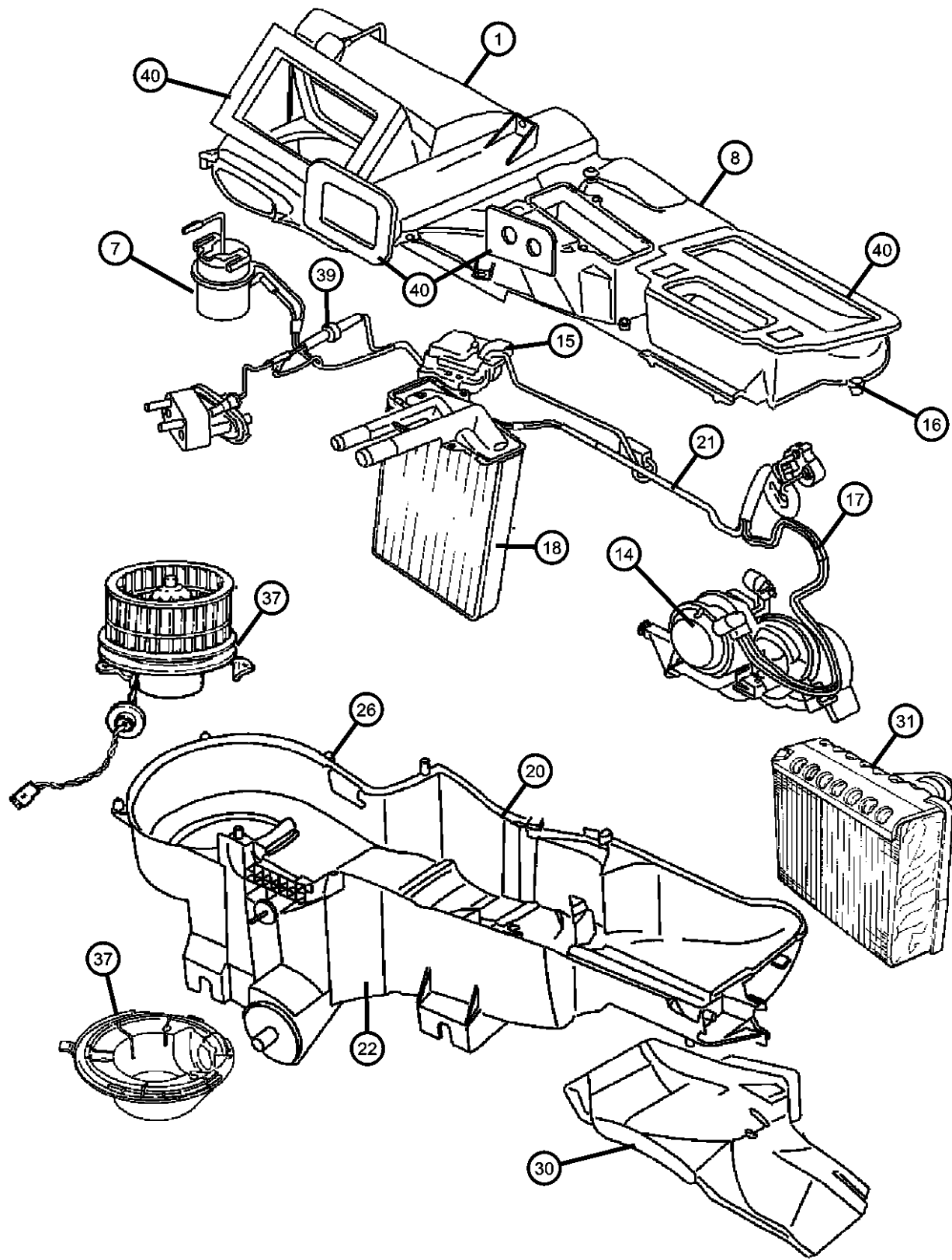
ENGINE
ED1 = Engine - 2.4L 4 Cyl DOHC 16v SMPI
EKG = Engine - 3.7L V6
ENJ = Engine -2.5L 4 Cyl 16v Turbo Diesel
ENR = Engine - 2.8L 4 Cyl Turbo Diesel
ENO = 4Cyl Turbo Diesel
EK0 = All 3.7L
ED0 = All 2.4L

TRANSMISSION
DDD = Transmission - 5-Speed HD Manual
DDK = Transmission - 5-Speed HD Manual
DG4 = Transmission-Multi-Speed Auto, 45RFE
DG6 = Transmission-4-Spd. Automatic, 42RLE
DGQ = Transmission-5-Spd Automatic 5-45RFE
DBB = All Manual Transmissions
DG0 = All Automatic Transmissions

AR = use ase required - = Non illustrated part

2004 KJ

HEVAC Unit
Figure 24-110



ITEM	PART NUMBER	QTY	LINE	SERIES	BODY	ENGINE	TRANS	TRIM	DESCRIPTION
17									HARNESS, Jumper
	05066528AA	1	J, T						
		1	U						
18									HEATER, Core Kit
	05066555AA	1	J, T						
		1	U						
-19	05066551AA	1	J, T						ISOLATOR, Tube
20	04644388	4	J, T						CLIP, A/C Heater Housing
21									VACUUM HARNESS, Heater and A/C
	05066531AA	1	J, T						
		1	U						
22									HOUSING, A/C Lower
	05066532AB	1	J, T						
	05066534AB	1	U						
-23	05066534AB	1							HOUSING, A/C Lower, (NOT SERVICED)
-24	05066534AB	1							STUD, A/C and Heater Housing Mtg., (NOT SERVICED)
-25	05066534AB	1							WASHER, A/C Unit Mounting Stud, (NOT SERVICED)
26	06101712	2							NUT, U, M6x1
-27	06101712	2							DOOR, Blend Air, (NOT SERVICED)
-28	06101712	2							DOOR, A/C and Heater Mode, (NOT SERVICED)
-29	06101712	2							LINK, Blend Door, (NOT SERVICED)
30									DUCT, Floor
	05066535AA	1	J, T						
	05066536AA	1	U						
31	05066549AB	1	J, T						EVAPORATOR, Air Conditioning
-32	05066549AB	1							LINER, Evaporator, (NOT SERVICED)

LIBERTY (KJ)

SERIES LINE
P = Limited J = LHD (4WD)
H = Sport U = RHD (4WD)
M = Renegade T = LHD (2WD)

BODY
74 = 4 Door (104.3 WB)

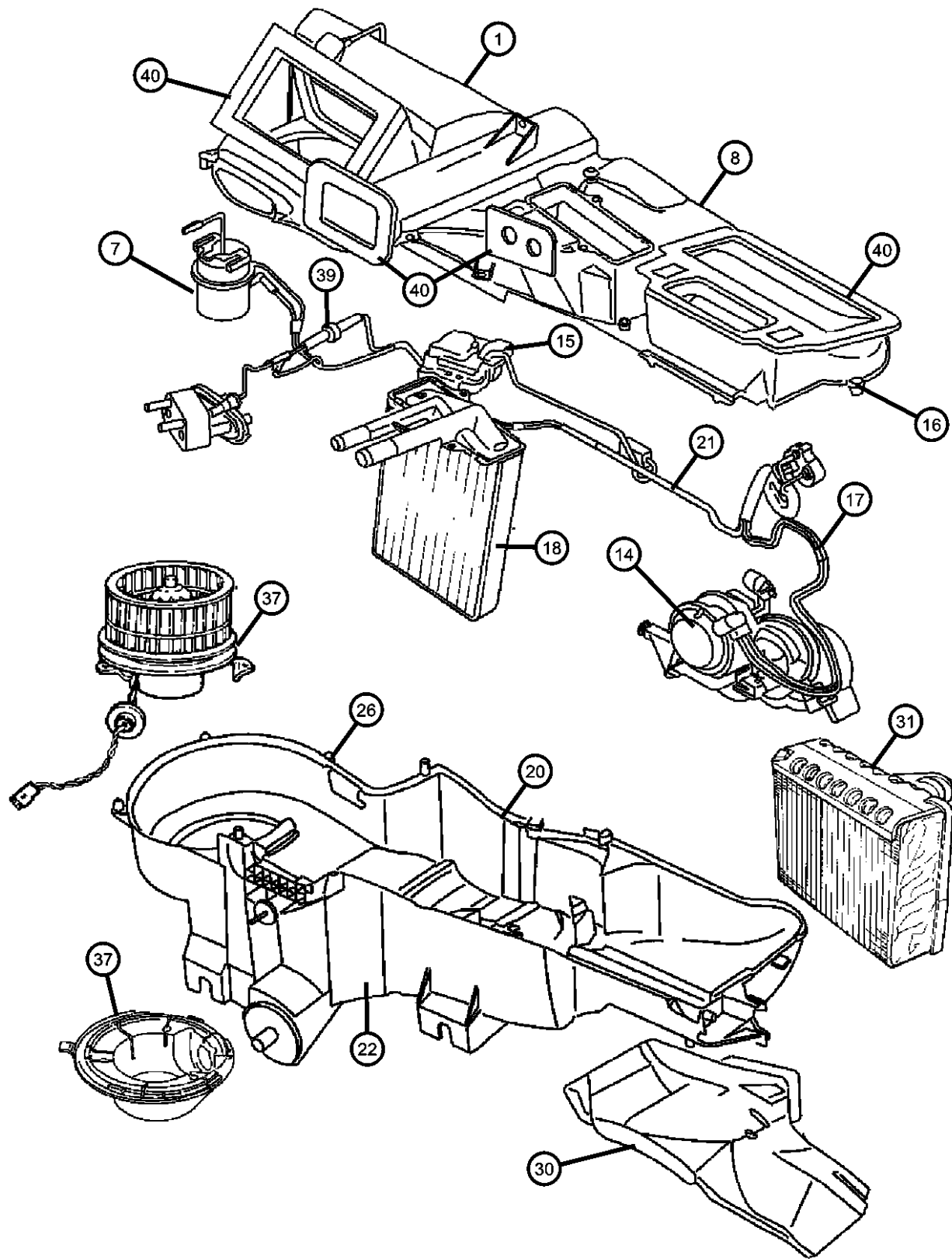
ENGINE
ED1 = Engine - 2.4L 4 Cyl DOHC 16v SMPI
EKG = Engine - 3.7L V6
ENJ = Engine -2.5L 4 Cyl 16v Turbo Diesel
ENR = Engine - 2.8L 4 Cyl Turbo Diesel
ENO = 4Cyl Turbo Diesel
EK0 = All 3.7L
ED0 = All 2.4L

TRANSMISSION
DDD = Transmission - 5-Speed HD Manual
DDK = Transmission - 5-Speed HD Manual
DG4 = Transmission-Multi-Speed Auto, 45RFE
DG6 = Transmission-4-Spd. Automatic, 42RLE
DGQ = Transmission-5-Spd Automatic 5-45RFE
DBB = All Manual Transmissions
DG0 = All Automatic Transmissions

AR = use ase required - = Non illustrated part

2004 KJ

HEVAC Unit
Figure 24-110



ITEM	PART NUMBER	QTY	LINE	SERIES	BODY	ENGINE	TRANS	TRIM	DESCRIPTION
-33	05066549AB	1							EVAPORATOR, Air Conditioning, (NOT SERVICED)
-34	05066549AB	1							ISOLATOR, Evaporator Tube, (NOT SERVICED)
-35	55037651AA	1	J, T						TUBE, Evaporator Housing
-36	55037651AA	1							SEAL, Evaporator Tube, (NOT SERVICED)
37									MOTOR, Blower with Wheel
	05066553AA	1	J, T						[Up To 10-08-03]
	05066554AA	1	U						[Up To 10-08-03]
	05139720AA	1	J, T						[After 10-08-03]
	05139721AA	1	U						[After 10-08-03]
-38									RESISTOR, A/C Heater
	05066552AA	1	J, T						[Up To 10-08-03]
		1	U						[Up To 10-08-03]
	05139719AA	1	J, T						[After 10-08-03]
		1	U						[After 10-08-03]
39	04549209	1	J, T						VALVE PACKAGE, Check
40									SEAL KIT, A/C And Heater Unit
	05071491AA	1	J, T						
	05072576AA	1	U						
-41									HOSE AND VALVE, Vacuum
	55038432AD	1	J, T						Air Conditioning
	55038433AD	1	U						Air Conditioning
-42	06504441	1					EK0		SCREW AND WASHER, A/C Unit mounting

LIBERTY (KJ)

SERIES

P = Limited
H = Sport
M = Renegade

LINE

J = LHD (4WD)
U = RHD (4WD)
T = LHD (2WD)

BODY

74 = 4 Door (104.3 WB)

ENGINE

ED1 = Engine - 2.4L 4 Cyl
DOHC 16v SMPI
EKG = Engine - 3.7L V6
ENJ = Engine -2.5L 4 Cyl 16V
Turbo Diesel
ENR = Engine - 2.8L 4 Cyl
Turbo Diesel
ENO = 4Cyl Turbo Diesel
EKO = All 3.7L
EDO = All 2.4L

TRANSMISSION

DDD = Transmission - 5-Speed HD
Manual
DDK = Transmission - 5-Speed HD
Manual
DG4 = Transmission-Multi-Speed
Auto, 45RFE
DG6 = Transmission-4-Spd.
Automatic, 42RLE
DGQ = Transmission-5-Spd Automatic
5-45RFE
DBB = All Manual Transmissions
DG0 = All Automatic Transmissions

AR = use ase required - = Non illustrated part

2004 KJ

Plumbing, Heater 2.4L Engine, LHD
Figure 24-210

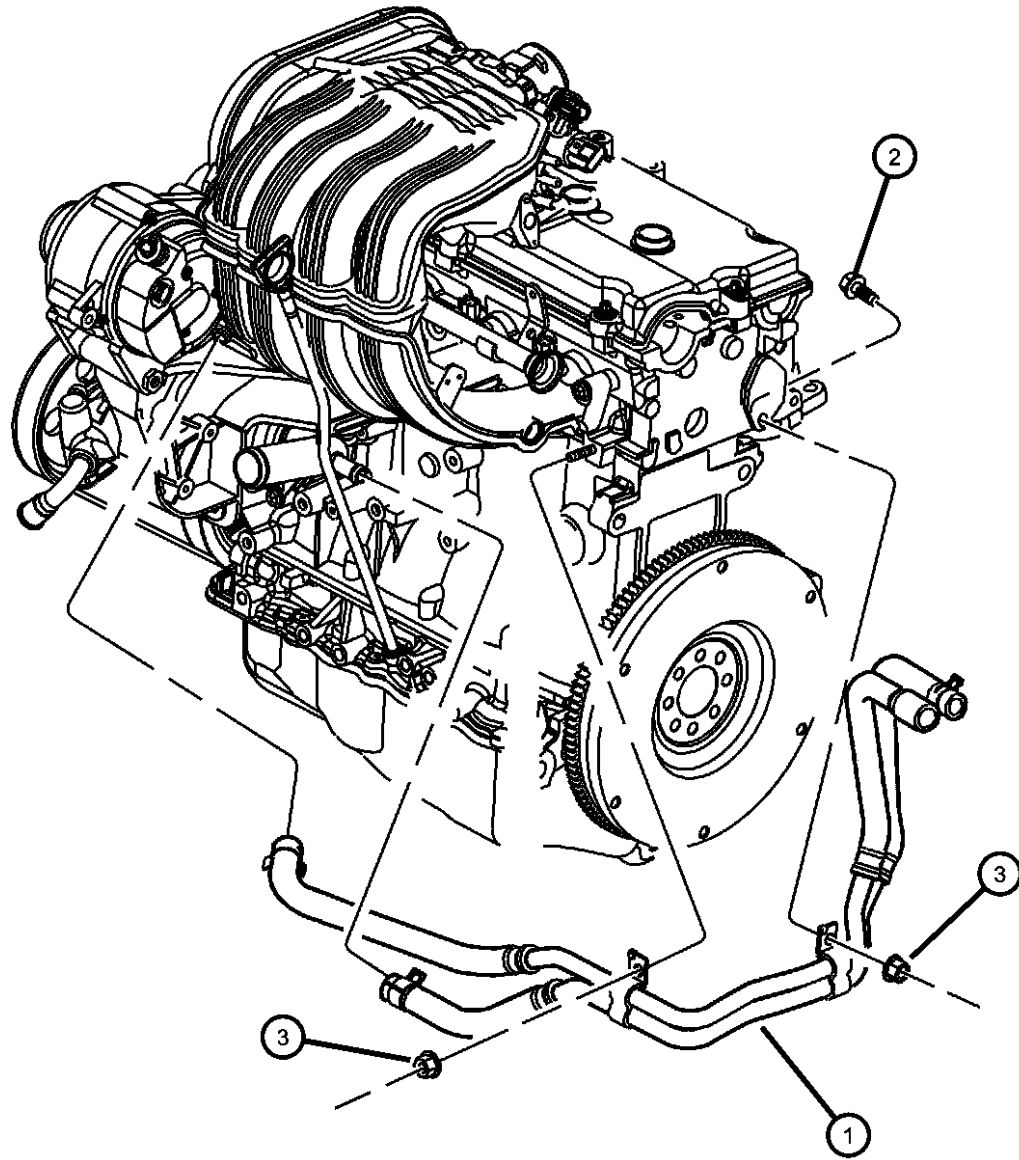
ITEM	PART NUMBER	QTY	LINE	SERIES	BODY	ENGINE	TRANS	TRIM	DESCRIPTION
------	-------------	-----	------	--------	------	--------	-------	------	-------------

NOTE:

Sales Codes:

[ED0]=All 2.4L 4 Cyl. 16-V Engines

1	55038330AB	1	J, T			ED0			HOSE, Heater Supply
2	06501474	1	J, T			ED0			BOLT, Hex Head, M8x1.25x16
3	06101445	1	J, T			ED0			NUT AND WASHER, Hex Nut-Coned Washer, M8 x 1.25



LIBERTY (KJ)

SERIES

P = Limited
H = Sport
M = Renegade

LINE

J = LHD (4WD)
U = RHD (4WD)
T = LHD (2WD)

BODY

74 = 4 Door (104.3 WB)

ENGINE

ED1 = Engine - 2.4L 4 Cyl
DOHC 16v SMPI
EKG = Engine - 3.7L V6
ENJ = Engine -2.5L 4 Cyl 16V
Turbo Diesel
ENR = Engine - 2.8L 4 Cyl
Turbo Diesel
ENO = 4Cyl Turbo Diesel
EKO = All 3.7L
ED0 = All 2.4L

TRANSMISSION

DDD = Transmission - 5-Speed HD
Manual
DDK = Transmission - 5-Speed HD
Manual
DG4 = Transmission-Multi-Speed
Auto, 45RFE
DG6 = Transmission-4-Spd.
Automatic, 42RLE
DGQ = Transmission-5-Spd Automatic
5-45RFE
DBB = All Manual Transmissions
DG0 = All Automatic Transmissions

AR = use ase required - = Non illustrated part

2004 KJ

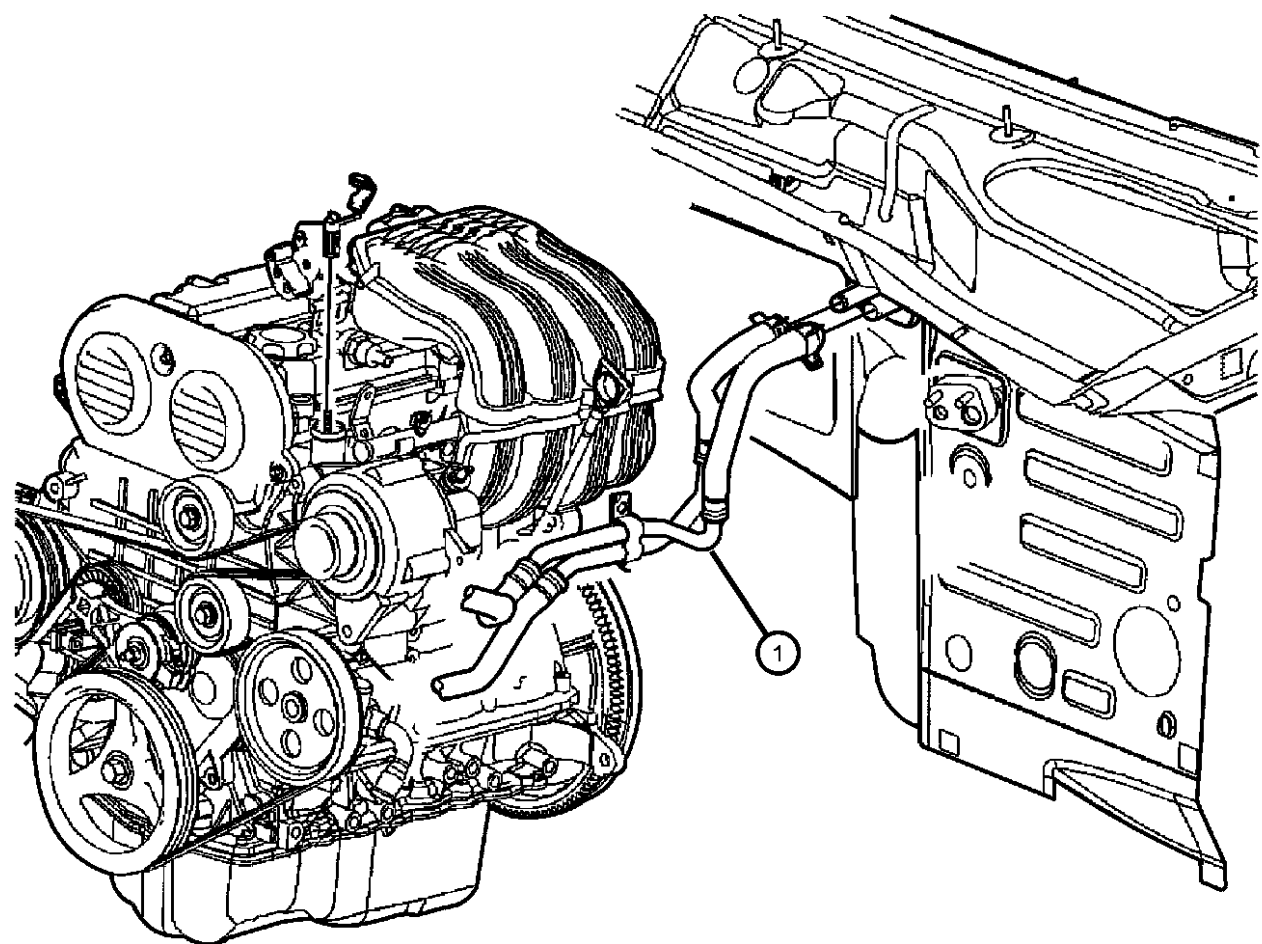
Plumbing, Heater 2.4L Engine, RHD
Figure 24-220

ITEM	PART NUMBER	QTY	LINE	SERIES	BODY	ENGINE	TRANS	TRIM	DESCRIPTION
------	-------------	-----	------	--------	------	--------	-------	------	-------------

Note: Sales Codes

[ED0]= All 2.2L, 2.5L, 2.4L, 4 Cylinder Gas Engines

1	55038333AB	1	U			ED0			HOSE, Heater Supply
-2	06101445	1				ED0			NUT AND WASHER, Hex Nut-Coned Washer, M8 x 1.25, Hose to Cylinder Head



LIBERTY (KJ)

SERIES	LINE	BODY	ENGINE	TRANSMISSION
P = Limited	J = LHD (4WD)	74 = 4 Door (104.3 WB)	ED1 = Engine - 2.4L 4 Cyl DOHC 16v SMPI	DDD = Transmission - 5-Speed HD Manual
H = Sport	U = RHD (4WD)		EKG = Engine - 3.7L V6	DDK = Transmission - 5-Speed HD Manual
M = Renegade	T = LHD (2WD)		ENJ = Engine -2.5L 4 Cyl 16V Turbo Diesel	DG4 = Transmission-Multi-Speed Auto, 45RFE
			ENR = Engine - 2.8L 4 Cyl Turbo Diesel	DG6 = Transmission-4-Spd. Automatic, 42RLE
			EN0 = 4Cyl Turbo Diesel	DGQ = Transmission-5-Spd Automatic 5-45RFE
			EK0 = All 3.7L	DBB = All Manual Transmissions
			ED0 = All 2.4L	DG0 = All Automatic Transmissions

AR = use ase required - = Non illustrated part

2004 KJ

Plumbing, Heater 3.7L Engine, LHD
Figure 24-230

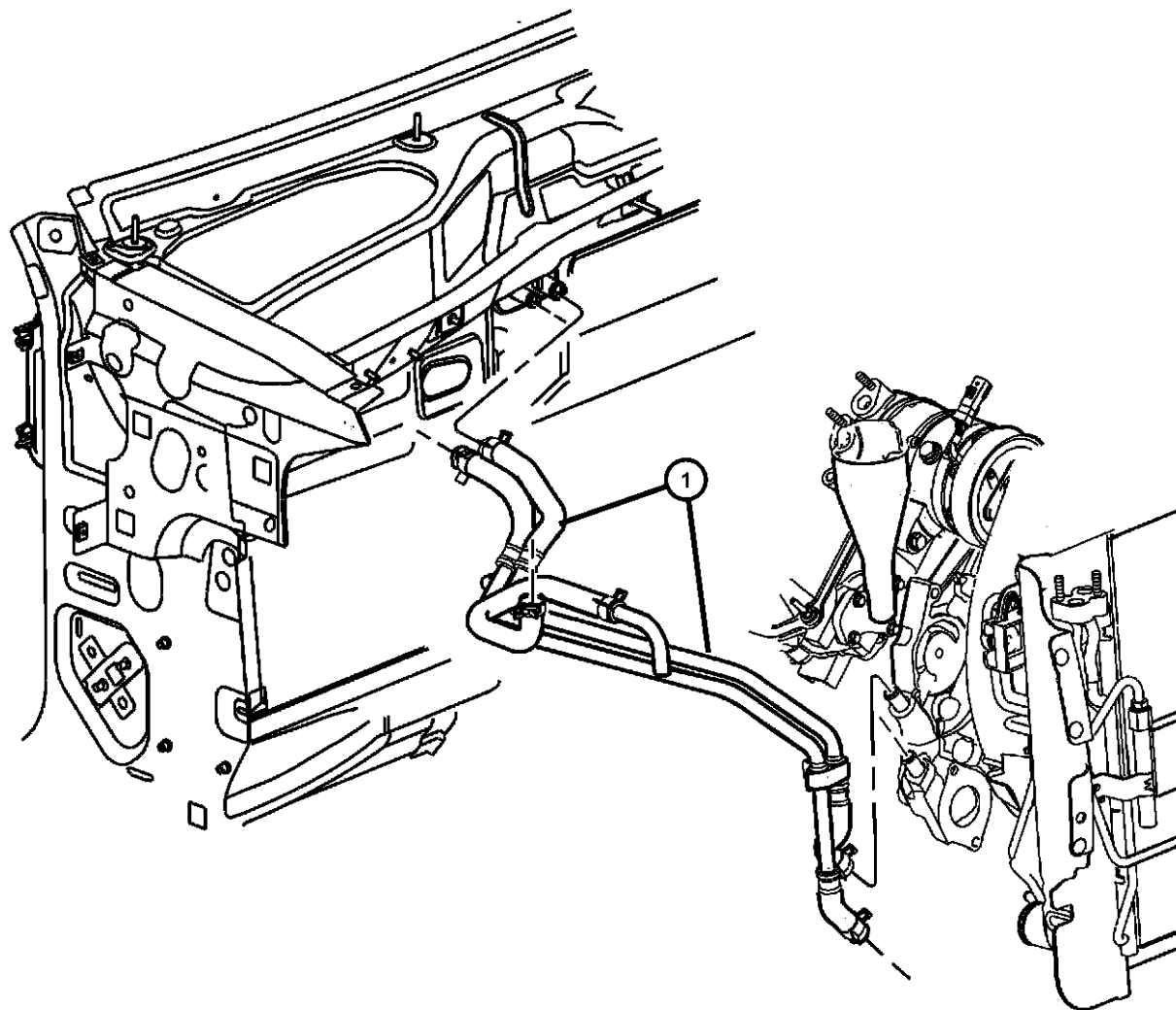
ITEM	PART NUMBER	QTY	LINE	SERIES	BODY	ENGINE	TRANS	TRIM	DESCRIPTION
------	-------------	-----	------	--------	------	--------	-------	------	-------------

NOTE:

Sales Codes:

[EK0]=All 3.7L V-6 Engines

1	55038331AD	1	J, T			EK0			HOSE, Heater Supply
-2	05072449AA	1	J, T			EK0			BRACKET
-3	05072450AB	1	J, T			EK0			BRACKET
-4	HHR00034AA	1							HOSE 1FT, Heater, 3/4"



LIBERTY (KJ)

SERIES	LINE
P = Limited	J = LHD (4WD)
H = Sport	U = RHD (4WD)
M = Renegade	T = LHD (2WD)

BODY
74 = 4 Door (104.3 WB)

ENGINE	TRANSMISSION
ED1 = Engine - 2.4L 4 Cyl DOHC 16v SMPI	DDD = Transmission - 5-Speed HD Manual
EKG = Engine - 3.7L V6	DDK = Transmission - 5-Speed HD Manual
ENJ = Engine -2.5L 4 Cyl 16V Turbo Diesel	DG4 = Transmission-Multi-Speed Auto, 45RFE
ENR = Engine - 2.8L 4 Cyl Turbo Diesel	DG6 = Transmission-4-Spd. Automatic, 42RLE
ENO = 4Cyl Turbo Diesel	DGQ = Transmission-5-Spd Automatic 5-45RFE
EK0 = All 3.7L	DBB = All Manual Transmissions
ED0 = All 2.4L	DG0 = All Automatic Transmissions

AR = use ase required - = Non illustrated part

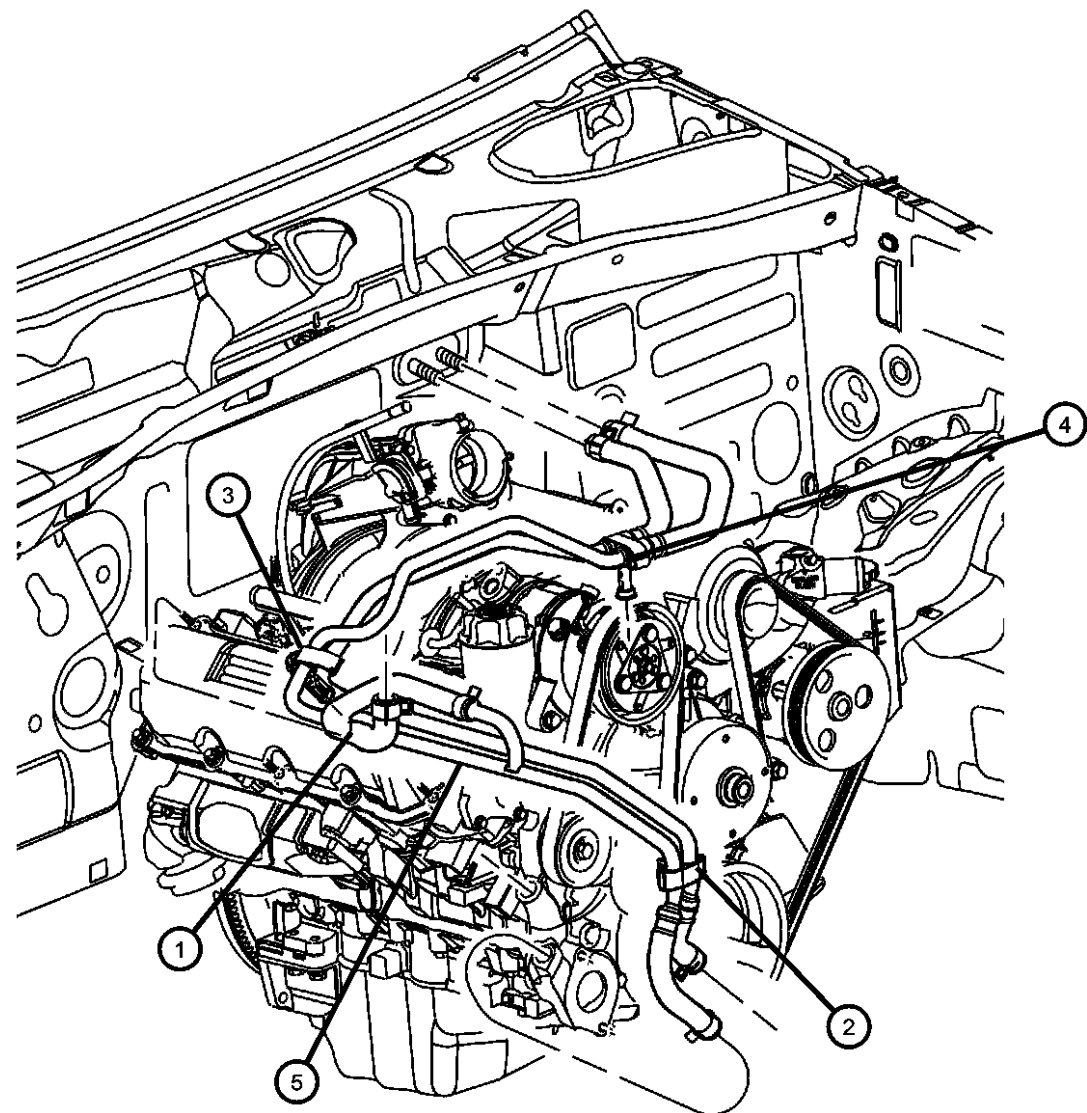
2004 KJ

Plumbing, Heater 3.7L Engine, RHD
Figure 24-240

ITEM	PART NUMBER	QTY	LINE	SERIES	BODY	ENGINE	TRANS	TRIM	DESCRIPTION
------	-------------	-----	------	--------	------	--------	-------	------	-------------

Note: Sales Codes
[EK0]= All 3.7L, 6 Cylinder Gas Engines

1	05072448AA	1	U			EK0			HOSE, Hot Bottle
2	05072449AA	1	U			EK0			BRACKET, Oil Fill
3	05072450AB	1	U			EK0			BRACKET, Valve Cover
4	05072451AB	1	U			EK0			BRACKET, Intake Manifold
5	55038334AD	1	U			EK0			HOSE, Heater Supply



LIBERTY (KJ)

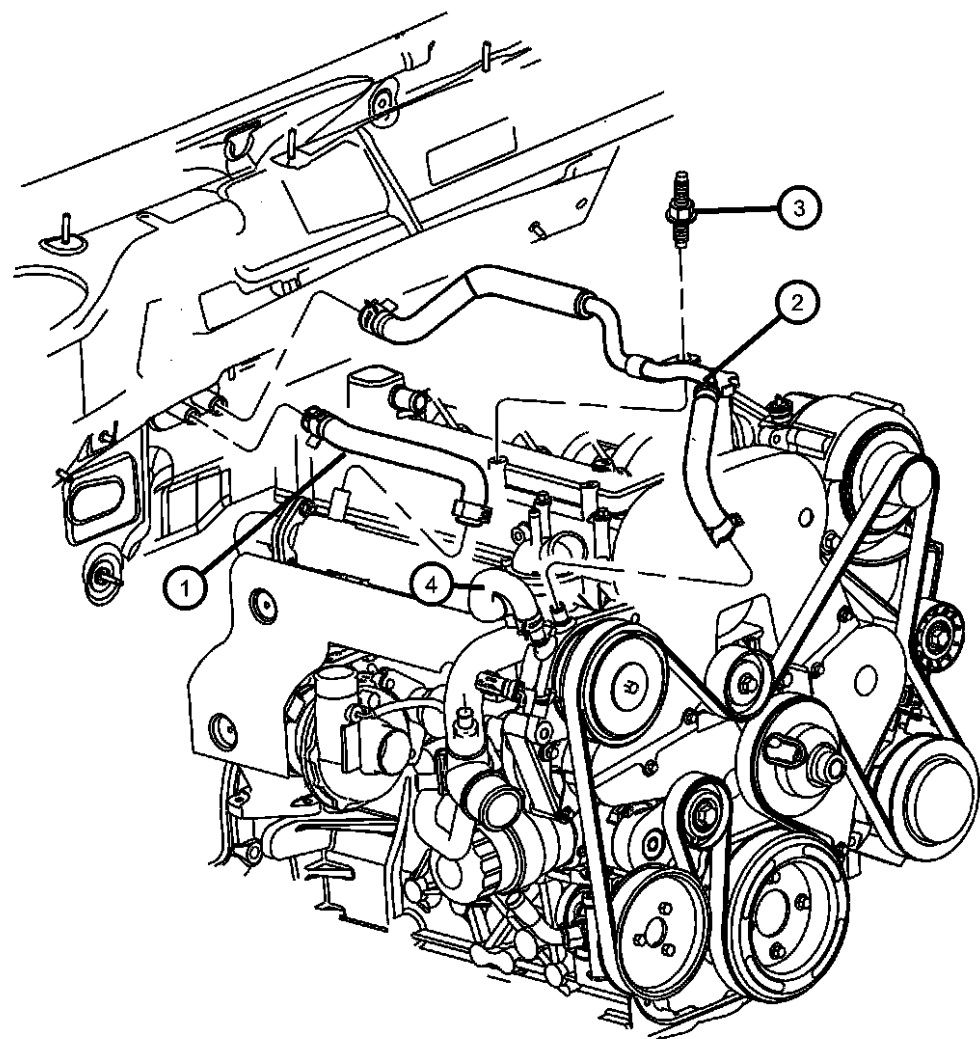
SERIES	LINE	BODY	ENGINE	TRANSMISSION
P = Limited	J = LHD (4WD)	74 = 4 Door (104.3 WB)	ED1 = Engine - 2.4L 4 Cyl DOHC 16v SMPI	DDD = Transmission - 5-Speed HD Manual
H = Sport	U = RHD (4WD)		EKG = Engine - 3.7L V6	DDK = Transmission - 5-Speed HD Manual
M = Renegade	T = LHD (2WD)		ENJ = Engine -2.5L 4 Cyl 16V Turbo Diesel	DG4 = Transmission-Multi-Speed Auto, 45RFE
			ENR = Engine - 2.8L 4 Cyl Turbo Diesel	DG6 = Transmission-4-Spd. Automatic, 42RLE
			ENO = 4Cyl Turbo Diesel	DGQ = Transmission-5-Spd Automatic 5-45RFE
			EK0 = All 3.7L	DBB = All Manual Transmissions
			ED0 = All 2.4L	DG0 = All Automatic Transmissions

AR = use ase required - = Non illustrated part

2004 KJ

Plumbing, Heater 2.5,2.8L Diesel Engine, LHD
Figure 24-250

ITEM	PART NUMBER	QTY	LINE	SERIES	BODY	ENGINE	TRANS	TRIM	DESCRIPTION
1	55037605AB	1	J, T			EN0			HOSE
2	55037703AA	1	J, T			EN0			HOSE, Heater Supply
3	06504035	1	J, T			EN0			STUD, M8x1.25x41.00
4	05072740AB	1				EN0			PIPE



LIBERTY (KJ)

SERIES

P = Limited
H = Sport
M = Renegade

LINE

J = LHD (4WD)
U = RHD (4WD)
T = LHD (2WD)

BODY

74 = 4 Door (104.3 WB)

ENGINE

ED1 = Engine - 2.4L 4 Cyl
DOHC 16v SMPI
EKG = Engine - 3.7L V6
ENJ = Engine -2.5L 4 Cyl 16V
Turbo Diesel
ENR = Engine - 2.8L 4 Cyl
Turbo Diesel
EN0 = 4Cyl Turbo Diesel
EK0 = All 3.7L
ED0 = All 2.4L

TRANSMISSION

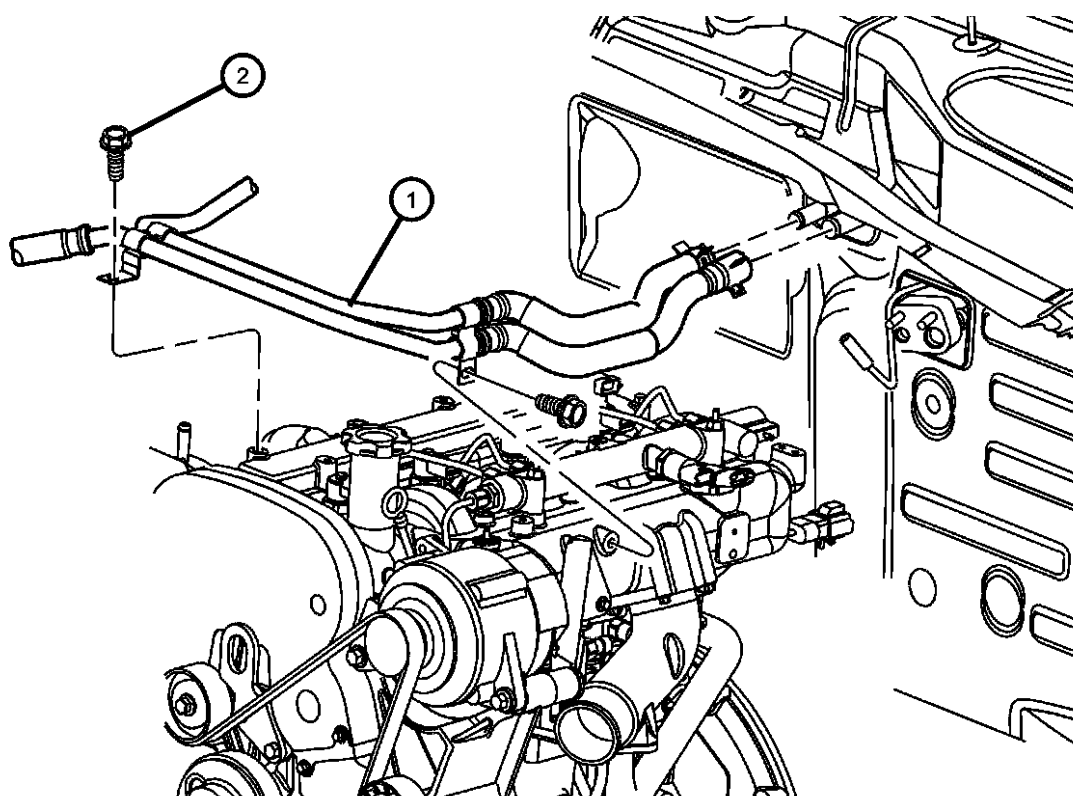
DDD = Transmission - 5-Speed HD
Manual
DDK = Transmission - 5-Speed HD
Manual
DG4 = Transmission-Multi-Speed
Auto, 45RFE
DG6 = Transmission-4-Spd.
Automatic, 42RLE
DGQ = Transmission-5-Spd Automatic
5-45RFE
DBB = All Manual Transmissions
DG0 = All Automatic Transmissions

AR = use ase required - = Non illustrated part

2004 KJ

Plumbing, Heater 2.5,2.8L Diesel Engine, RHD
Figure 24-260

ITEM	PART NUMBER	QTY	LINE	SERIES	BODY	ENGINE	TRANS	TRIM	DESCRIPTION
1	55037704AA	1	T, U			EN0			HOSE, Heater Supply
2	06501474	2	U			EN0			BOLT, Hex Head, M8x1.25x16



LIBERTY (KJ)

SERIES	LINE
P = Limited	J = LHD (4WD)
H = Sport	U = RHD (4WD)
M = Renegade	T = LHD (2WD)

BODY
 74 = 4 Door (104.3 WB)

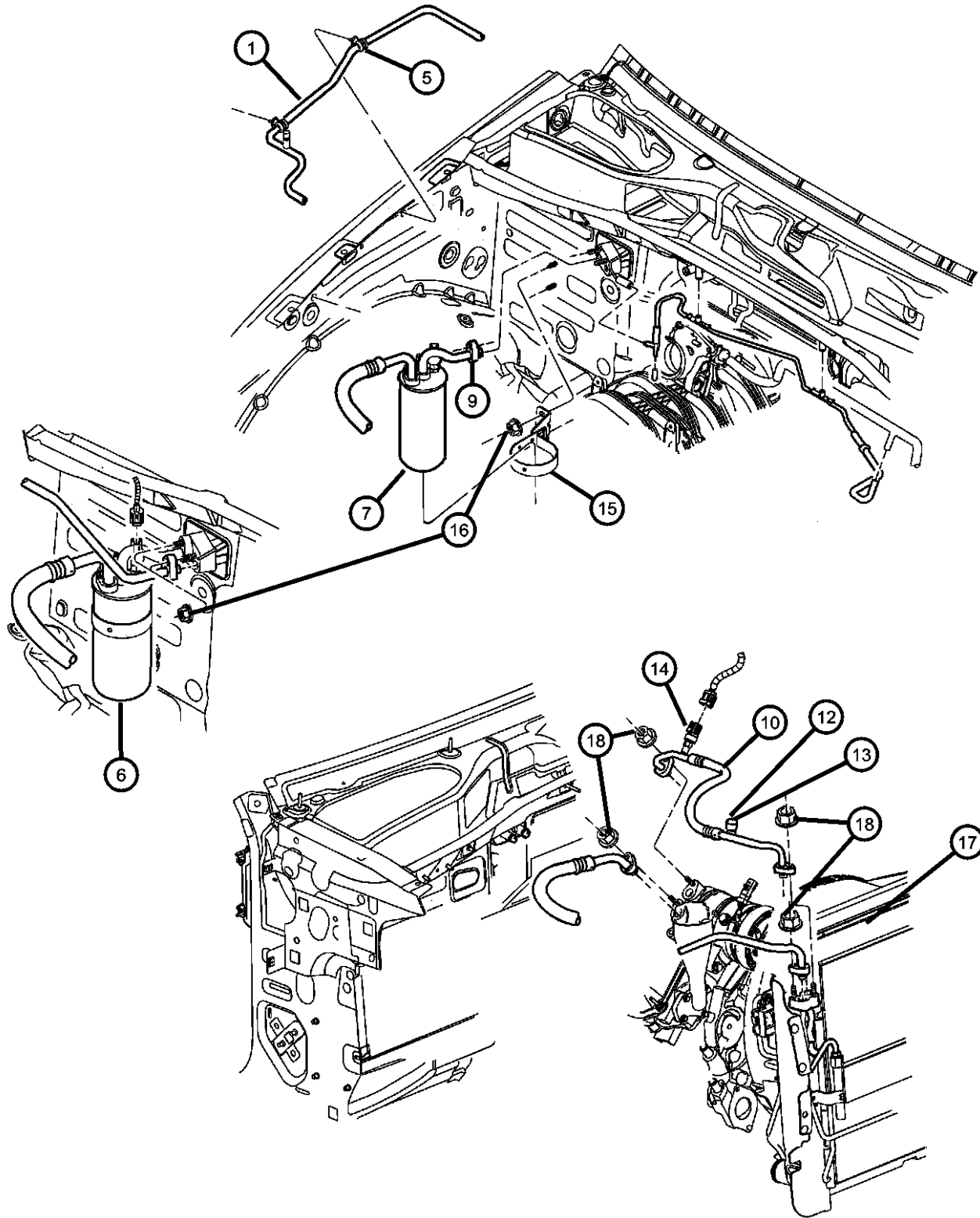
ENGINE
 ED1 = Engine - 2.4L 4 Cyl
 DOHC 16v SMPI
 EKG = Engine - 3.7L V6
 ENJ = Engine -2.5L 4 Cyl 16V
 Turbo Diesel
 ENR = Engine - 2.8L 4 Cyl
 Turbo Diesel
 EN0 = 4Cyl Turbo Diesel
 EK0 = All 3.7L
 ED0 = All 2.4L

TRANSMISSION
 DDD = Transmission - 5-Speed HD
 Manual
 DDK = Transmission - 5-Speed HD
 Manual
 DG4 = Transmission-Multi-Speed
 Auto, 45RFE
 DG6 = Transmission-4-Spd.
 Automatic, 42RLE
 DGQ = Transmission-5-Spd Automatic
 5-45RFE
 DBB = All Manual Transmissions
 DG0 = All Automatic Transmissions

AR = use ase required - = Non illustrated part

2004 KJ

Plumbing, Air Conditioning 2.4L Engine, LHD
Figure 24-270



ITEM	PART NUMBER	QTY	LINE	SERIES	BODY	ENGINE	TRANS	TRIM	DESCRIPTION
------	-------------	-----	------	--------	------	--------	-------	------	-------------

Note; Sales Codes
 [ED0]= All 2.2L, 2.5L, 2.4L, 4 Cylinder Gas Engines

1	55037809AC	1	J, T						LINE, A/C Liquid
-2	05072141AA	2	J, T						GASKET & O RING KIT, A/C Line
-3	04882334	1	J, T						VALVE, A/C Discharge Line Check
-4									CAP, A/C Check Valve
	04882335	1	J, T						
	05264642	1				ED0			
5	56021384	2							CLIP, Wiring
6	55037803AB	1	J, T			ED0			ACCUMULATOR, Suction Line, with Suction Line
7	05072139AA	1	J, T			ED0			ACCUMULATOR, Air Conditioning, Without Suction Line
-8	05072141AA	2	J, T						GASKET & O RING KIT, A/C Line, Suction Line
9	05072160AA	1	J, T			ED0			LINE, A/C Liquid
10	55037800AD	1				ED0			LINE, A/C Discharge
-11	05066497AA	2				ED0			GASKET & O RING KIT, A/C Line
12	04882334	1	J, T						VALVE, A/C Discharge Line Check
13	05264642	1				ED0			CAP, A/C Check Valve
14	05072138AA	1				ED0			TRANSDUCER KIT, A/C Pressure
15	55037476AB	1	J, T						BRACKET, Accumulator
16	06506152AA	2	J, T						NUT AND CONED WASHER, Hex, M8x1.25
17	55037465AB	1				ED0			CONDENSER, Air Conditioning
18	06506152AA	2							NUT AND CONED WASHER, Hex, M8x1.25

LIBERTY (KJ)

SERIES LINE
 P = Limited J = LHD (4WD)
 H = Sport U = RHD (4WD)
 M = Renegade T = LHD (2WD)

BODY
 74 = 4 Door (104.3 WB)

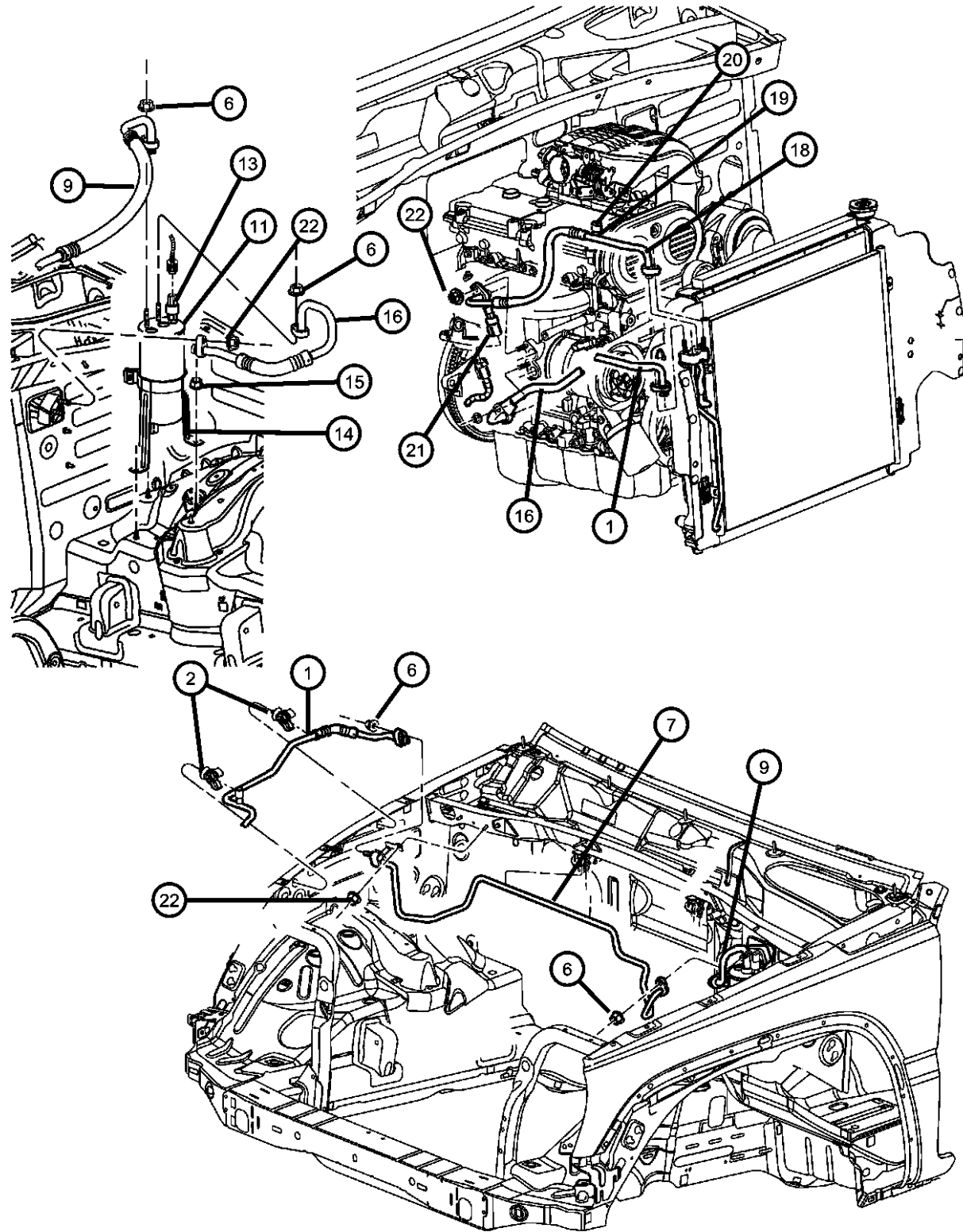
ENGINE
 ED1 = Engine - 2.4L 4 Cyl DOHC 16v SMPI
 EKG = Engine - 3.7L V6
 ENJ = Engine -2.5L 4 Cyl 16v Turbo Diesel
 ENR = Engine - 2.8L 4 Cyl Turbo Diesel
 EN0 = 4Cyl Turbo Diesel
 EK0 = All 3.7L
 ED0 = All 2.4L

TRANSMISSION
 DDD = Transmission - 5-Speed HD Manual
 DDK = Transmission - 5-Speed HD Manual
 DG4 = Transmission-Multi-Speed Auto, 45RFE
 DG6 = Transmission-4-Spd. Automatic, 42RLE
 DGQ = Transmission-5-Spd Automatic 5-45RFE
 DBB = All Manual Transmissions
 DG0 = All Automatic Transmissions

AR = use ase required - = Non illustrated part

2004 KJ

Plumbing, Air Conditioning 2.4L Engine, RHD
Figure 24-280



ITEM	PART NUMBER	QTY	LINE	SERIES	BODY	ENGINE	TRANS	TRIM	DESCRIPTION
------	-------------	-----	------	--------	------	--------	-------	------	-------------

Note: Sales Codes
 [ED0]= All 2.2L, 2.5L, 2.4L, 4 Cylinder Gas Engines

1	55037810AC	1	U						LINE, A/C Liquid
2	56021384	2							CLIP, Wiring
-3	04882334	1	U						VALVE, A/C Discharge Line Check
-4	04882335	1	U						CAP, A/C Check Valve
-5	05066497AA	2				ED0			GASKET & O RING KIT, A/C Line
6	06506152AA	1	U						NUT AND CONED WASHER, Hex, M8x1.25
7	55037811AC	1	U						LINE, A/C Liquid
-8	05066497AA	2				ED0			GASKET & O RING KIT, A/C Line
9									LINE, A/C Suction
	55037595AB	1	U						
	55037804AB	1	U			ED0			
-10	05066497AA	2				ED0			GASKET & O RING KIT, A/C Line
11	55037471AC	1	U						ACCUMULATOR, Air Conditioning
-12	55037588AA	1	U			ED0			CLIP, A/C Suction Line
13	04799758AC	1	J, U						TRANSDUCER, Pressure Sensor
14	55037476AB	1	J, T						BRACKET, Accumulator
15	06101447	1	U						NUT
16	55037595AB	1	U						LINE, A/C Suction
-17	05072141AA	2	J, T						GASKET & O RING KIT, A/C Line
18	55037800AD	1				ED0			LINE, A/C Discharge
19	04882334	1	U						VALVE, A/C Discharge Line Check
20	04882335	1	U						CAP, A/C Check Valve
21	05072138AA	1				ED0			TRANSDUCER KIT, A/C Pressure
22	06506152AA	1	U						NUT AND CONED WASHER, Hex, M8x1.25
23	55037465AB	1				ED0			CONDENSER, Air Conditioning

LIBERTY (KJ)

SERIES LINE
 P = Limited J = LHD (4WD)
 H = Sport U = RHD (4WD)
 M = Renegade T = LHD (2WD)

BODY
 74 = 4 Door (104.3 WB)

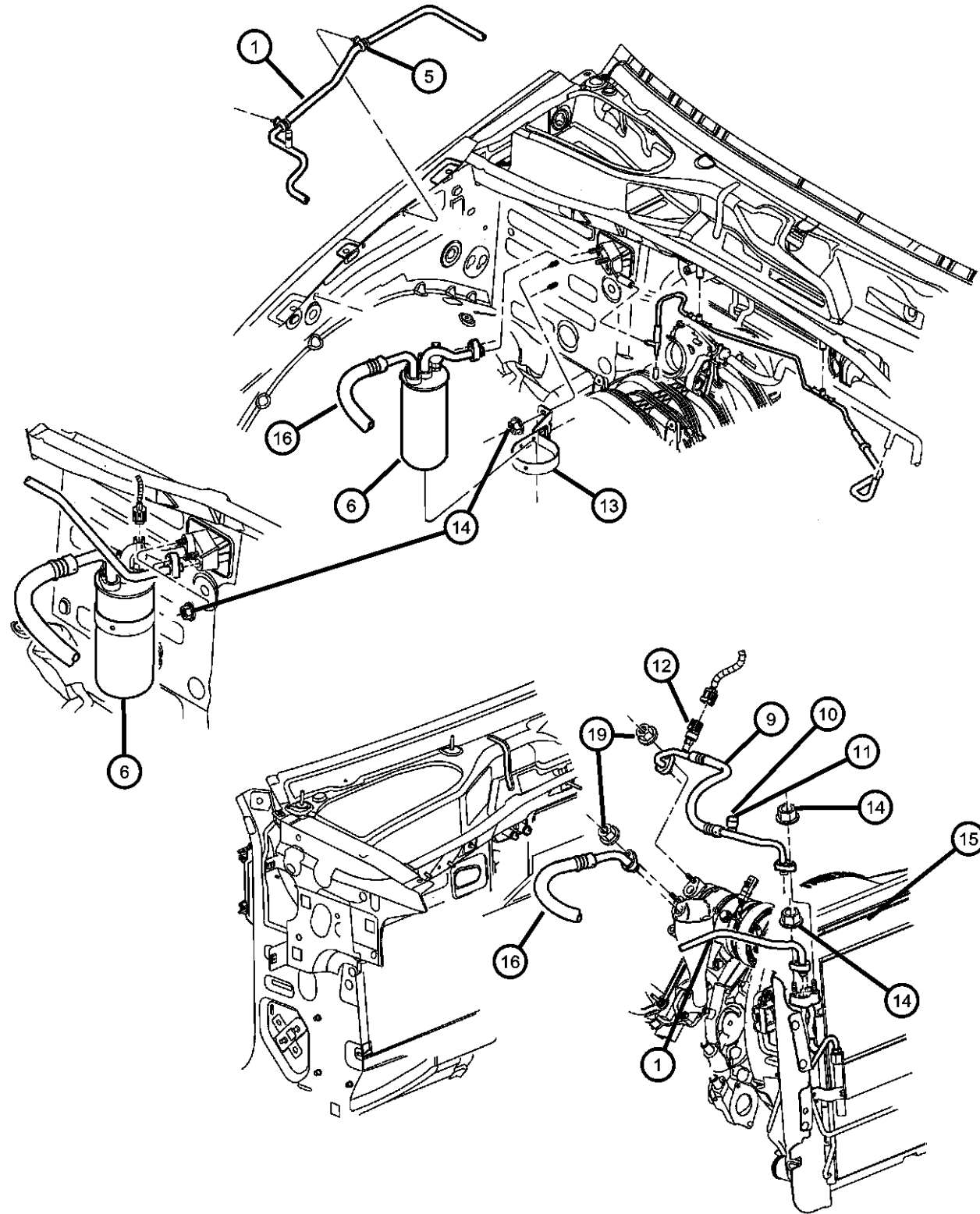
ENGINE
 ED1 = Engine - 2.4L 4 Cyl
 DOHC 16v SMPI
 EKG = Engine - 3.7L V6
 ENJ = Engine -2.5L 4 Cyl 16V
 Turbo Diesel
 ENR = Engine - 2.8L 4 Cyl
 Turbo Diesel
 EN0 = 4Cyl Turbo Diesel
 EK0 = All 3.7L
 ED0 = All 2.4L

TRANSMISSION
 DDD = Transmission - 5-Speed HD
 Manual
 DDK = Transmission - 5-Speed HD
 Manual
 DG4 = Transmission-Multi-Speed
 Auto, 45RFE
 DG6 = Transmission-4-Spd.
 Automatic, 42RLE
 DGQ = Transmission-5-Spd Automatic
 5-45RFE
 DBB = All Manual Transmissions
 DG0 = All Automatic Transmissions

AR = use ase required - = Non illustrated part

2004 KJ

Plumbing, Air Conditioning 3.7L Engine, LHD
Figure 24-285



ITEM	PART NUMBER	QTY	LINE	SERIES	BODY	ENGINE	TRANS	TRIM	DESCRIPTION
------	-------------	-----	------	--------	------	--------	-------	------	-------------

Sales Codes
 [EK0]= All 3.7L, 6 Cylinder Gas Engines

1	55037809AC	1	J, T						LINE, A/C Liquid
-2	05072141AA	2	J, T						GASKET & O RING KIT, A/C Line, To Evaporator or Condenser
-3	04882334	1	J, T						VALVE, A/C Discharge Line Check
-4	04882335	1	J, T						CAP, A/C Check Valve
5	56021384	2							CLIP, Wiring
6	55037807AD	1	T, J			EK0			ACCUMULATOR, Air Conditioning, With Suction Line
-7	55037807AD	1	J, T			EK0			ACCUMULATOR, Air Conditioning, Without Suction Line
-8	05072141AA	2	J, T						GASKET & O RING KIT, A/C Line
9	55037801AC	1				EK0			LINE, A/C Discharge
-10	05066497AA	2				EK0			GASKET & O RING KIT, A/C Line, To Compressor and Condenser
11	04882334	1	J, T						VALVE, A/C Discharge Line Check
12	05264642	1				EK0			CAP, A/C Check Valve
13	05019881AA	1				EK0			TRANSDUCER PACKAGE, A/C Pressure, Discharge Line
14	55037476AB	1	J, T						BRACKET, Accumulator
15	06506152AA	2	J, T						NUT AND CONED WASHER, Hex, M8x1.25
16	55037465AC	1				EK0			CONDENSER, Air Conditioning
17	05072199AA	1	J, T			EK0			LINE, A/C Suction
-18	05072141AA	2	J, T						GASKET & O RING KIT, A/C Line
-19	05072200AA	1	J, T			EK0			TRANSDUCER, Pressure Sensor, Suction Line
20	06506152AA	2							NUT AND CONED WASHER, Hex, M8x1.25

LIBERTY (KJ)

SERIES LINE
 P = Limited J = LHD (4WD)
 H = Sport U = RHD (4WD)
 M = Renegade T = LHD (2WD)

BODY
 74 = 4 Door (104.3 WB)

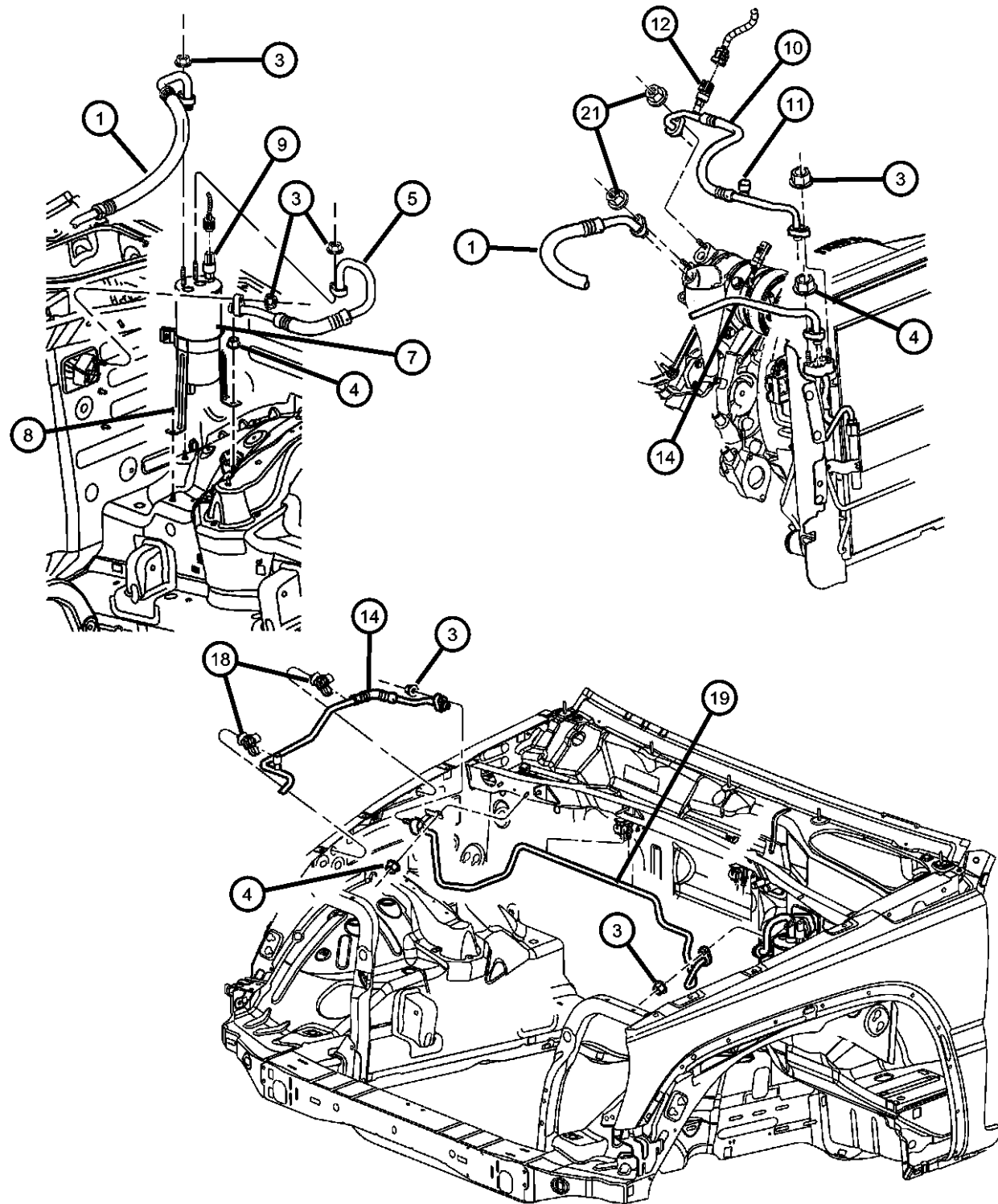
ENGINE
 ED1 = Engine - 2.4L 4 Cyl DOHC 16v SMPI
 EKG = Engine - 3.7L V6
 ENJ = Engine -2.5L 4 Cyl 16v Turbo Diesel
 ENR = Engine - 2.8L 4 Cyl Turbo Diesel
 EN0 = 4Cyl Turbo Diesel
 EK0 = All 3.7L
 ED0 = All 2.4L

TRANSMISSION
 DDD = Transmission - 5-Speed HD Manual
 DDK = Transmission - 5-Speed HD Manual
 DG4 = Transmission-Multi-Speed Auto, 45RFE
 DG6 = Transmission-4-Spd. Automatic, 42RLE
 DGQ = Transmission-5-Spd Automatic 5-45RFE
 DBB = All Manual Transmissions
 DG0 = All Automatic Transmissions

AR = use ase required - = Non illustrated part

2004 KJ

Plumbing, Air Conditioning 3.7L Engine, RHD
Figure 24-288



ITEM	PART NUMBER	QTY	LINE	SERIES	BODY	ENGINE	TRANS	TRIM	DESCRIPTION
Note; Sales Codes [EK0]= All 3.7L, 6 Cylinder Gas Engines									
1	55037808AA	1	U			EK0			LINE, A/C Suction
-2	05072141AA	2	J, T						GASKET & O RING KIT, A/C Line
3	06506152AA	1	U						NUT AND CONED WASHER, Hex, M8x1.25
4	06101447	1	U						NUT
5	55037595AB	1	U						LINE, A/C Suction, to Evaporator
-6	05072141AA	2	J, T						GASKET & O RING KIT, A/C Line
7	55037471AC	1	U						ACCUMULATOR, Air Conditioning
8	55037476AB	1	J, T						BRACKET, Accumulator
9	05072200AA	1	J, T			EK0			TRANSDUCER, Pressure Sensor
10	55037801AC	1				EK0			LINE, A/C Discharge
11	05264642	1				EK0			CAP, A/C Check Valve
12	05072200AA	1	J, T			EK0			TRANSDUCER, Pressure Sensor
-13	05066497AA	2				EK0			GASKET & O RING KIT, A/C Line
14	55037810AC	1	U						LINE, A/C Liquid
-15	04882334	1	U						VALVE, A/C Discharge Line Check
-16	04882335	1	U						CAP, A/C Check Valve
-17	05066497AA	2				EK0			GASKET & O RING KIT, A/C Line
18	56021384	2							CLIP, Wiring
19	55037811AC	1	U						LINE, A/C Liquid
-20	05066497AA	2				EK0			GASKET & O RING KIT, A/C Line
21	06506152AA	2							NUT AND CONED WASHER, Hex, M8x1.25

LIBERTY (KJ)

SERIES LINE
P = Limited J = LHD (4WD)
H = Sport U = RHD (4WD)
M = Renegade T = LHD (2WD)

BODY
74 = 4 Door (104.3 WB)

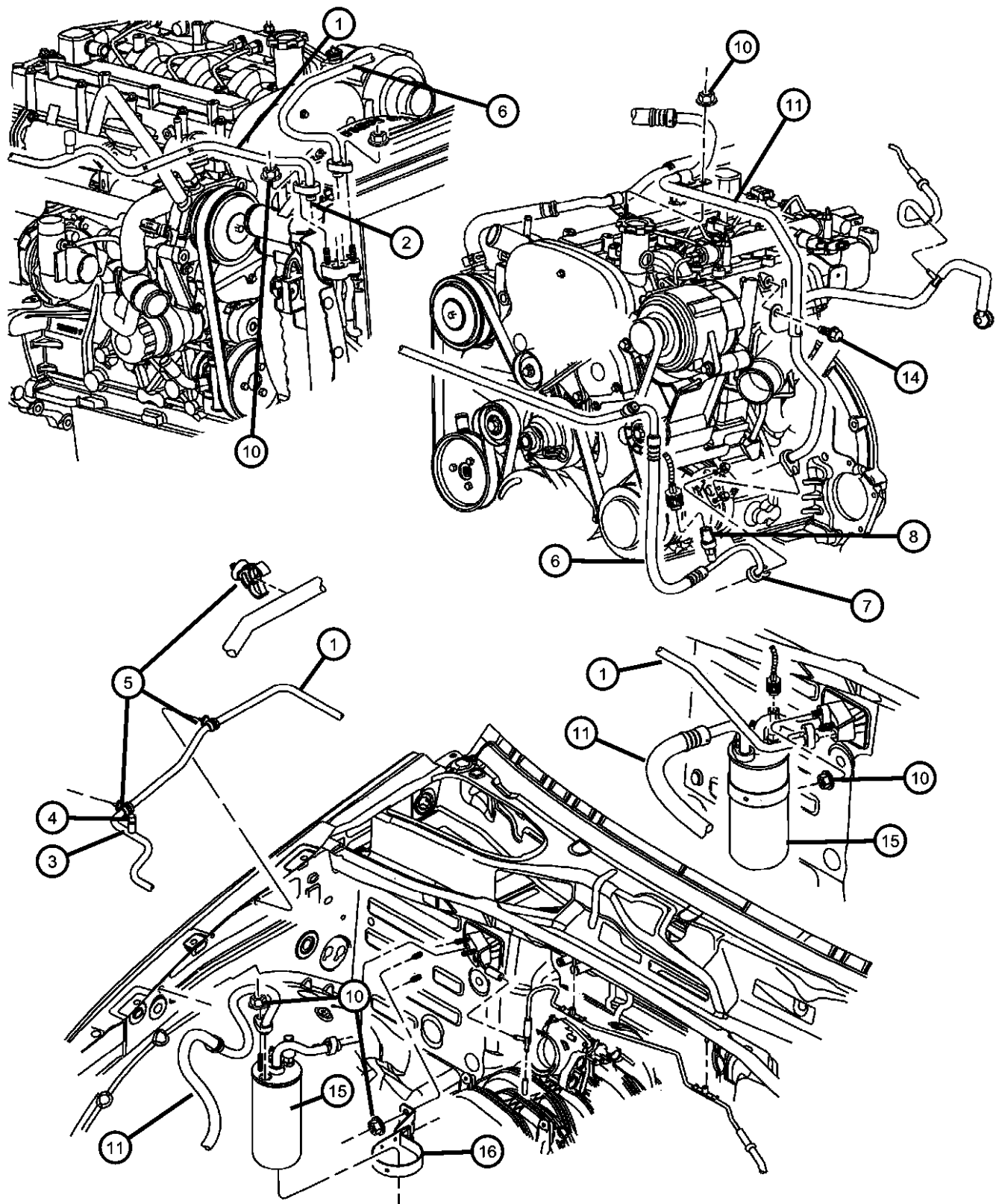
ENGINE
ED1 = Engine - 2.4L 4 Cyl
DOHC 16v SMPI
EKG = Engine - 3.7L V6
ENJ = Engine -2.5L 4 Cyl 16V
Turbo Diesel
ENR = Engine - 2.8L 4 Cyl
Turbo Diesel
ENO = 4Cyl Turbo Diesel
EK0 = All 3.7L
ED0 = All 2.4L

TRANSMISSION
DDD = Transmission - 5-Speed HD
Manual
DDK = Transmission - 5-Speed HD
Manual
DG4 = Transmission-Multi-Speed
Auto, 45RFE
DG6 = Transmission-4-Spd.
Automatic, 42RLE
DGQ = Transmission-5-Spd Automatic
5-45RFE
DBB = All Manual Transmissions
DG0 = All Automatic Transmissions

AR = use ase required - = Non illustrated part

2004 KJ

Plumbing, Air Conditioning 2.5,2.8L Diesel Engine, LHD
Figure 24-290

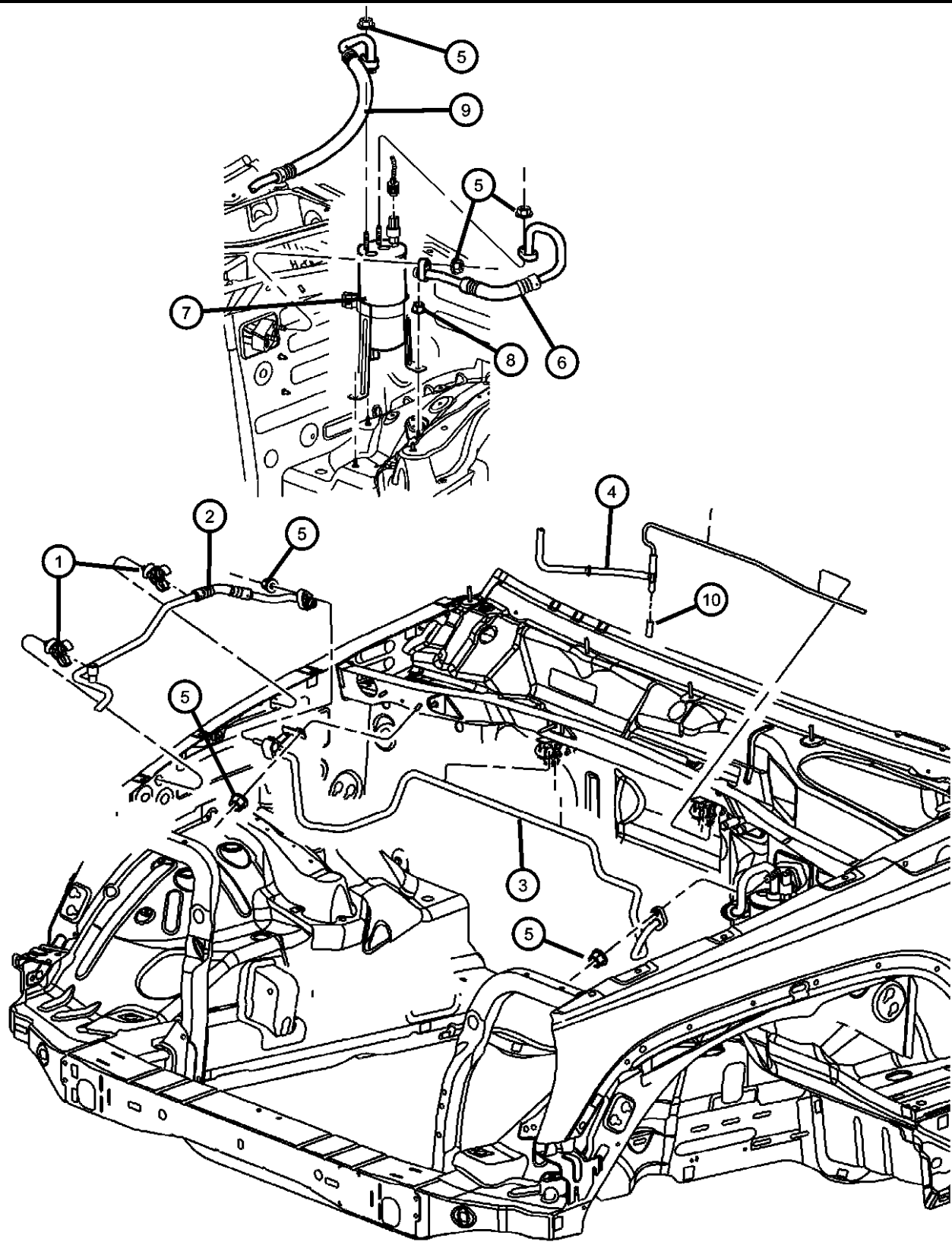


ITEM	PART NUMBER	QTY	LINE	SERIES	BODY	ENGINE	TRANS	TRIM	DESCRIPTION
1	55037809AC	1	J, T						LINE, A/C Liquid
2	05072141AA	1	J, T			EN0			GASKET & O RING KIT, A/C Line
3	04882334	1	J, T						VALVE, A/C Discharge Line Check
4	04882335	1	J, T						CAP, A/C Check Valve
5	55036022	2				EN0			CLIP, A/C Liquid Line
6	55037802AB	1				EN0			LINE, A/C Discharge
7	05066497AA	2				EN0			GASKET & O RING KIT, A/C Line
8	05072138AA	1				EN0			TRANSDUCER KIT, A/C Pressure
-9	04796565	1				EN0			O RING, A/C Line, 1/2 inch - Red
10	06506152AA	2	J, T						NUT AND CONED WASHER, Hex, M8x1.25
11	55037805AC	1	J, T			EN0			LINE, A/C Suction
-12	04796564	1	J, T			EN0			O RING, A/C Line, 5/8 inch - Red
-13	05072141AA	1	J, T			EN0			GASKET & O RING KIT, A/C Line
14	06501474	1	J, T			EN0			BOLT, Hex Head, M8x1.25x16
15	55037470AC	1	J, T			EN0			ACCUMULATOR, Suction and Discharge Line
16	55037476AB	1	J, T						BRACKET, Accumulator

LIBERTY (KJ)				
SERIES	LINE	BODY	ENGINE	TRANSMISSION
P = Limited	J = LHD (4WD)	74 = 4 Door (104.3 WB)	ED1 = Engine - 2.4L 4 Cyl DOHC 16v SMPI	DDD = Transmission - 5-Speed HD Manual
H = Sport	U = RHD (4WD)		EKG = Engine - 3.7L V6 Turbo Diesel	DDK = Transmission - 5-Speed HD Manual
M = Renegade	T = LHD (2WD)		ENJ = Engine - 2.5L 4 Cyl 16V Turbo Diesel	DG4 = Transmission-Multi-Speed Auto, 45RFE
			ENR = Engine - 2.8L 4 Cyl Turbo Diesel	DG6 = Transmission-4-Spd. Automatic, 42RLE
			EN0 = 4Cyl Turbo Diesel	DGQ = Transmission-5-Spd Automatic 5-45RFE
			EK0 = All 3.7L	DBB = All Manual Transmissions
			ED0 = All 2.4L	DG0 = All Automatic Transmissions

AR = use ase required - = Non illustrated part

Plumbing, Air Conditioning 2.5,2.8L Diesel Engine, RHD
Figure 24-295



ITEM	PART NUMBER	QTY	LINE	SERIES	BODY	ENGINE	TRANS	TRIM	DESCRIPTION
1	56021384	2							CLIP, Wiring
2	55037802AB	1				EN0			LINE, A/C Discharge
3	55037811AC	1	U						LINE, A/C Liquid
4	55038433AD	1	U						HOSE AND VALVE, Vacuum
5	06506152AA	3				EN0			NUT AND CONED WASHER, Hex, M8x1.25
6	55037595AB	1	U						LINE, A/C Suction
7	55037471AC	1	U						ACCUMULATOR, Air Conditioning
8	06101447	1	U						NUT
9	55037806AA	1	U			EN0			LINE, A/C Suction
10	03580172	1							CAP, Vacuum

LIBERTY (KJ)

SERIES

P = Limited
H = Sport
M = Renegade

LINE

J = LHD (4WD)
U = RHD (4WD)
T = LHD (2WD)

BODY

74 = 4 Door (104.3 WB)

ENGINE

ED1 = Engine - 2.4L 4 Cyl DOHC 16v SMPI
EKG = Engine - 3.7L V6
ENJ = Engine -2.5L 4 Cyl 16V Turbo Diesel
ENR = Engine - 2.8L 4 Cyl Turbo Diesel
EN0 = 4Cyl Turbo Diesel
EK0 = All 3.7L
ED0 = All 2.4L

TRANSMISSION

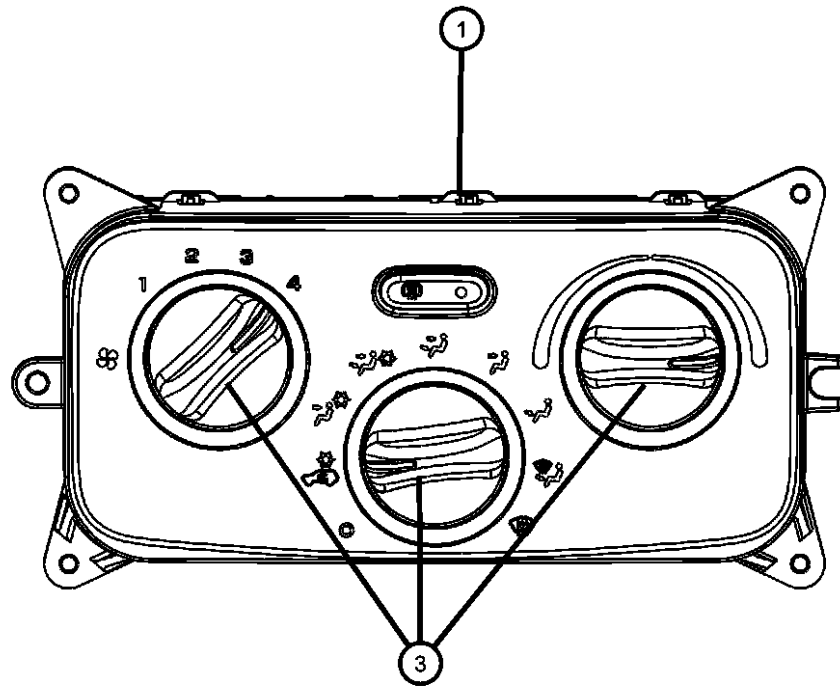
DDD = Transmission - 5-Speed HD Manual
DDK = Transmission - 5-Speed HD Manual
DG4 = Transmission-Multi-Speed Auto, 45RFE
DG6 = Transmission-4-Spd. Automatic, 42RLE
DGQ = Transmission-5-Spd Automatic 5-45RFE
DBB = All Manual Transmissions
DG0 = All Automatic Transmissions

AR = use ase required - = Non illustrated part

2004 KJ

**Control, Heater and Air Conditioning
Figure 24-310**

ITEM	PART NUMBER	QTY	LINE	SERIES	BODY	ENGINE	TRANS	TRIM	DESCRIPTION
1	55037533AD	1							CONTROL, A/C And Heater, with Air Conditioning
-2	55037531AD	1							CONTROL, Heater, without Air Conditioning
3	05069169AA	3							KNOB, A/C And Heater Control - Rotary
-4	05069170AA	2							BULB, Heater and A/C Control



LIBERTY (KJ)

SERIES	LINE
P = Limited	J = LHD (4WD)
H = Sport	U = RHD (4WD)
M = Renegade	T = LHD (2WD)

BODY
74 = 4 Door (104.3 WB)

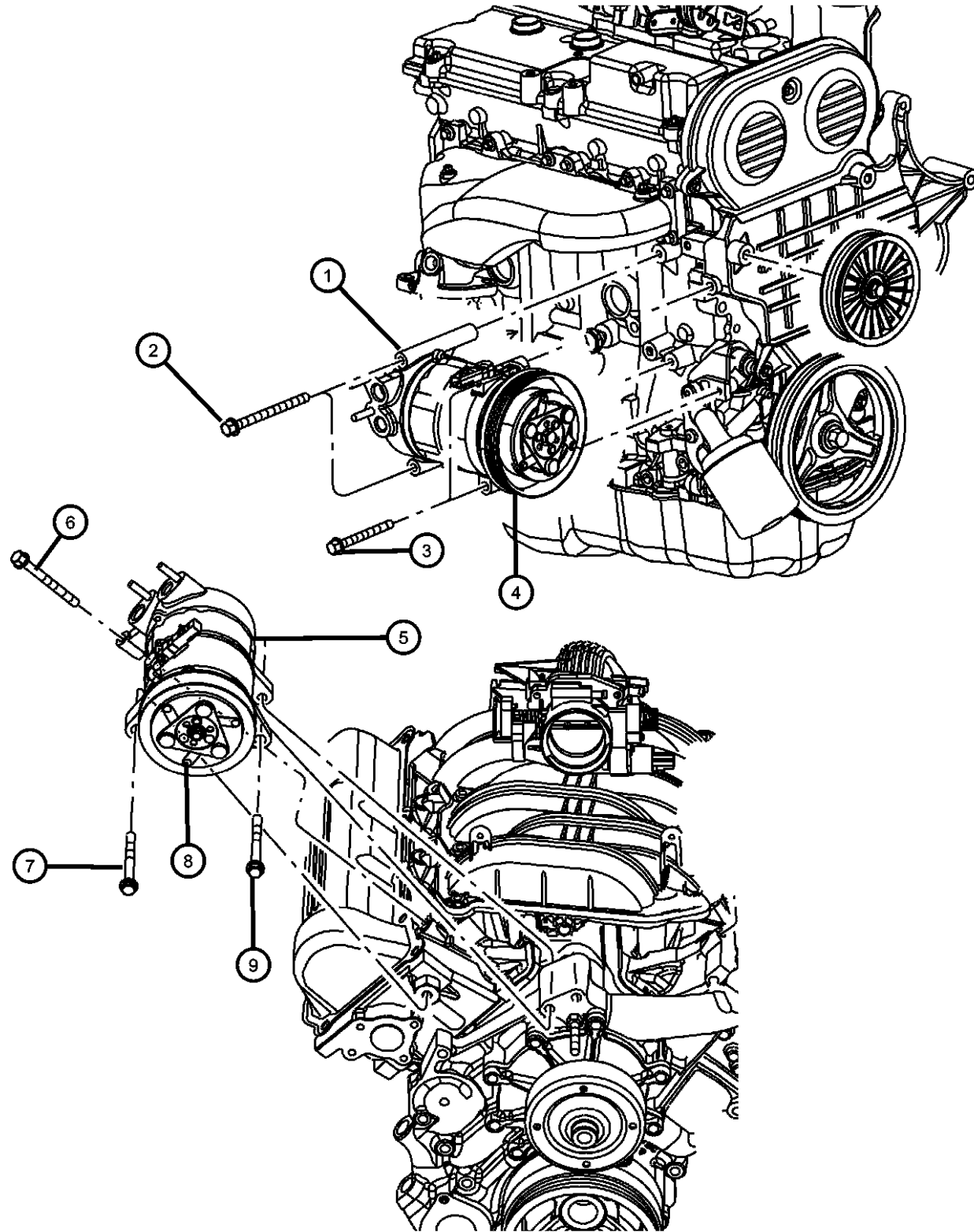
ENGINE
ED1 = Engine - 2.4L 4 Cyl DOHC 16v SMPI
EKG = Engine - 3.7L V6
ENJ = Engine -2.5L 4 Cyl 16V Turbo Diesel
ENR = Engine - 2.8L 4 Cyl Turbo Diesel
ENO = 4Cyl Turbo Diesel
EK0 = All 3.7L
ED0 = All 2.4L

TRANSMISSION
DDD = Transmission - 5-Speed HD Manual
DDK = Transmission - 5-Speed HD Manual
DG4 = Transmission-Multi-Speed Auto, 45RFE
DG6 = Transmission-4-Spd. Automatic, 42RLE
DGQ = Transmission-5-Spd Automatic 5-45RFE
DBB = All Manual Transmissions
DG0 = All Automatic Transmissions

AR = use ase required - = Non illustrated part

2004 KJ

**Compressor, 2.4L - 3.7L Engine
Figure 24-410**



ITEM	PART NUMBER	QTY	LINE	SERIES	BODY	ENGINE	TRANS	TRIM	DESCRIPTION
------	-------------	-----	------	--------	------	--------	-------	------	-------------

Note; Sales Codes
 [ED0]= All 2.2L, 2.5L, 2.4L, 4 Cylinder Gas Engines
 [EK0]= All 3.7L, 6 Cylinder Gas Engines

1	55037524AE	1				ED0			COMPRESSOR, Air Conditioning
2	06102178AA	2				ED0			SCREW, Hex Flange Head, M8x1.25x130
3	06102178AA	2							BOLT, (NOT SERVICED)
4	05083076AA	1				EK0			CLUTCH, A/C Compressor
5	55037466AE	1				EK0			COMPRESSOR, Air Conditioning
6	06505482AA	1				EK0			SCREW AND WASHER, Hex Head, M8x1.25x50
7	06505487AA	1				EK0			SCREW AND WASHER, M10x1.5x45
8	05083076AA	1				EK0			CLUTCH, A/C Compressor
9	06504344	1				EK0			SCREW AND WASHER, Hex Head

LIBERTY (KJ)

SERIES LINE
 P = Limited J = LHD (4WD)
 H = Sport U = RHD (4WD)
 M = Renegade T = LHD (2WD)

BODY
 74 = 4 Door (104.3 WB)

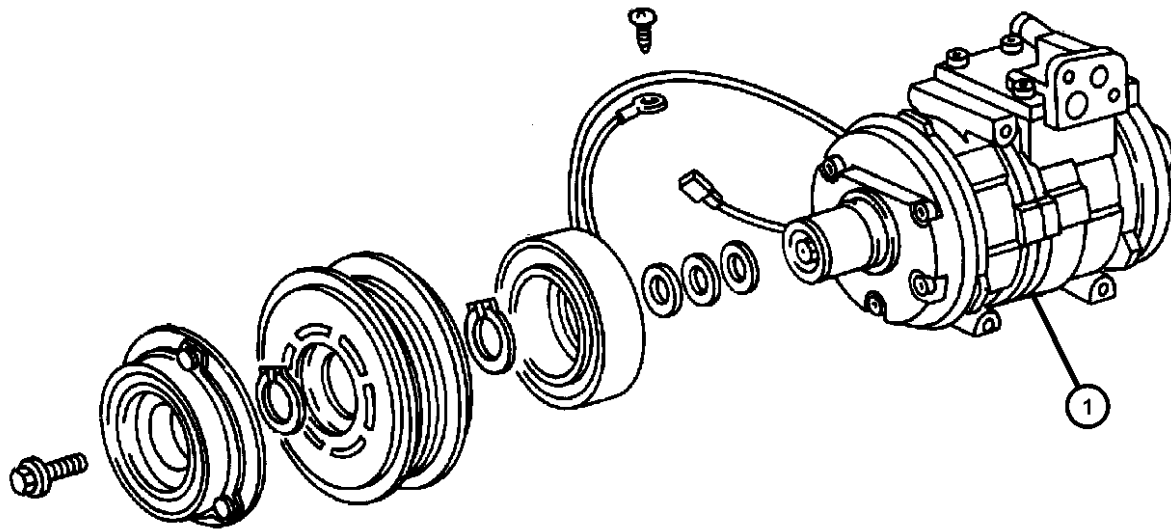
ENGINE TRANSMISSION
 ED1 = Engine - 2.4L 4 Cyl DOHC 16v SMPI
 EKG = Engine - 3.7L V6
 ENJ = Engine -2.5L 4 Cyl 16V Turbo Diesel
 ENR = Engine - 2.8L 4 Cyl Turbo Diesel
 EN0 = 4Cyl Turbo Diesel
 EK0 = All 3.7L
 ED0 = All 2.4L
 DDD = Transmission - 5-Speed HD Manual
 DDK = Transmission - 5-Speed HD Manual
 DG4 = Transmission-Multi-Speed Auto, 45RFE
 DG6 = Transmission-4-Spd. Automatic, 42RLE
 DGQ = Transmission-5-Spd Automatic 5-45RFE
 DBB = All Manual Transmissions
 DG0 = All Automatic Transmissions

AR = use ase required - = Non illustrated part

2004 KJ

**Compressor, 2.5,2.8L Diesel Engine
Figure 24-430**

ITEM	PART NUMBER	QTY	LINE	SERIES	BODY	ENGINE	TRANS	TRIM	DESCRIPTION
1									COMPRESSOR, Air Conditioning
	05093940AA	1				EN0			Without Clutch
	55037467AB	1				EN0			With Clutch



LIBERTY (KJ)

SERIES	LINE
P = Limited	J = LHD (4WD)
H = Sport	U = RHD (4WD)
M = Renegade	T = LHD (2WD)

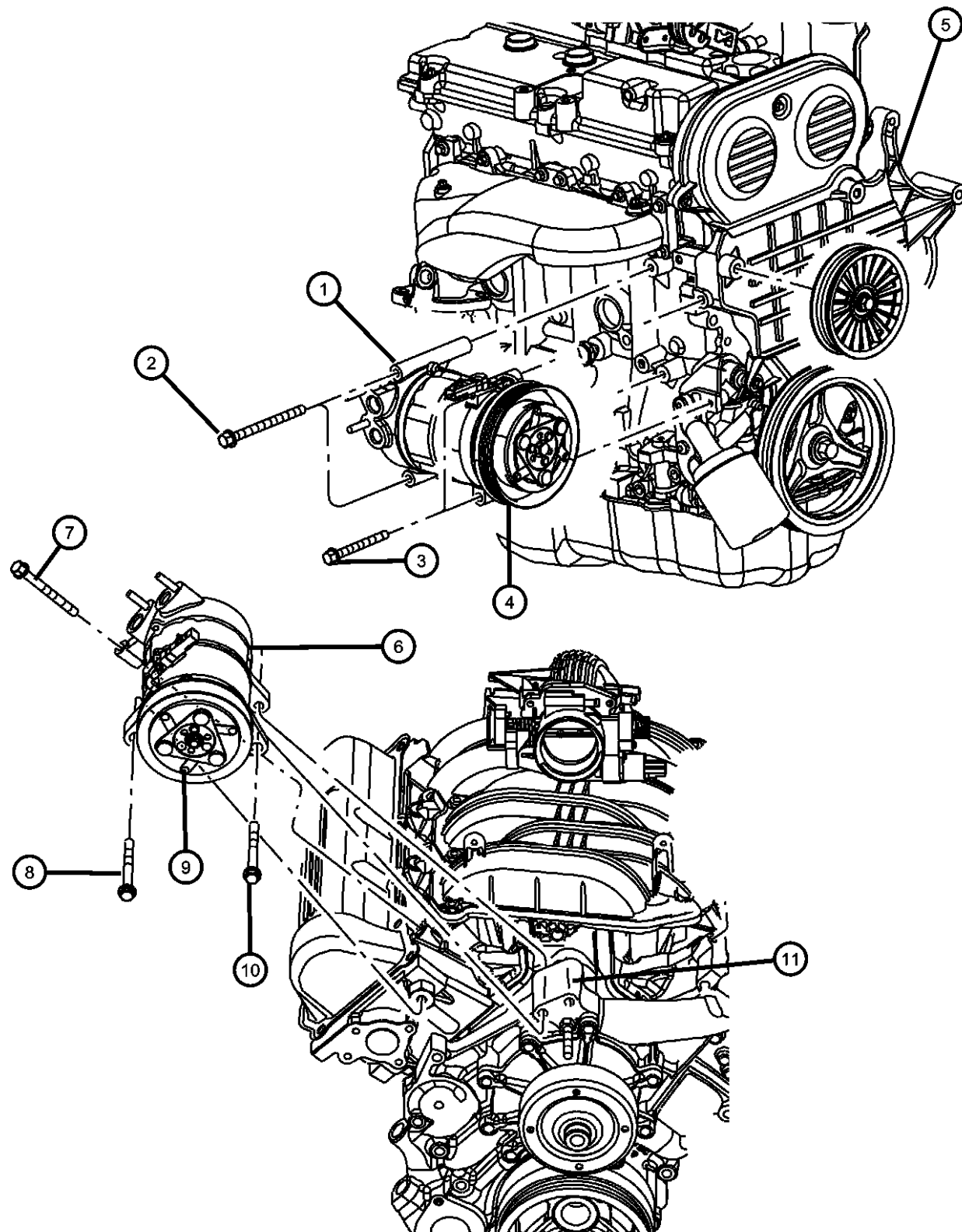
BODY
74 = 4 Door (104.3 WB)

ENGINE
ED1 = Engine - 2.4L 4 Cyl DOHC 16v SMPI
EKG = Engine - 3.7L V6
ENJ = Engine -2.5L 4 Cyl 16V Turbo Diesel
ENR = Engine - 2.8L 4 Cyl Turbo Diesel
EN0 = 4Cyl Turbo Diesel
EK0 = All 3.7L
ED0 = All 2.4L

TRANSMISSION
DDD = Transmission - 5-Speed HD Manual
DDK = Transmission - 5-Speed HD Manual
DG4 = Transmission-Multi-Speed Auto, 45RFE
DG6 = Transmission-4-Spd. Automatic, 42RLE
DGQ = Transmission-5-Spd Automatic 5-45RFE
DBB = All Manual Transmissions
DG0 = All Automatic Transmissions

AR = use ase required - = Non illustrated part

Compressor Mounting, 2.4L - 3.7L Engine
Figure 24-510



ITEM	PART NUMBER	QTY	LINE	SERIES	BODY	ENGINE	TRANS	TRIM	DESCRIPTION
------	-------------	-----	------	--------	------	--------	-------	------	-------------

Note; Sales Codes
 [ED0]= All 2.2L, 2.5L, 2.4L, 4 Cylinder Gas Engines
 [EK0]= All 3.7L, 6 Cylinder Gas Engines

1	55037524AE	1				ED0			COMPRESSOR, Air Conditioning
2	06102178AA	2				ED0			SCREW, Hex Flange Head, M8x1.25x130
3	06102178AA	2							BOLT, (NOT SERVICED)
4	05083076AA	1				EK0			CLUTCH, A/C Compressor
5	04861371AA	1				ED0			BRACKET, Alternator
6	55037466AE	1				EK0			COMPRESSOR, Air Conditioning
7	06505482AA	1				EK0			SCREW AND WASHER, Hex Head, M8x1.25x50
8	06507372AA	2				ED0			STUD, Double Ended
9	05083076AA	1				EK0			CLUTCH, A/C Compressor
10	06504344	1				EK0			SCREW AND WASHER, Hex Head
11	53021238AB	1				EK0			COVER, Timing Belt

LIBERTY (KJ)

SERIES

P = Limited
 H = Sport
 M = Renegade

LINE

J = LHD (4WD)
 U = RHD (4WD)
 T = LHD (2WD)

BODY

74 = 4 Door (104.3 WB)

ENGINE

ED1 = Engine - 2.4L 4 Cyl DOHC 16v SMPI
 EKG = Engine - 3.7L V6
 ENJ = Engine -2.5L 4 Cyl 16V Turbo Diesel
 ENR = Engine - 2.8L 4 Cyl Turbo Diesel
 EN0 = 4Cyl Turbo Diesel
 EK0 = All 3.7L
 ED0 = All 2.4L

TRANSMISSION

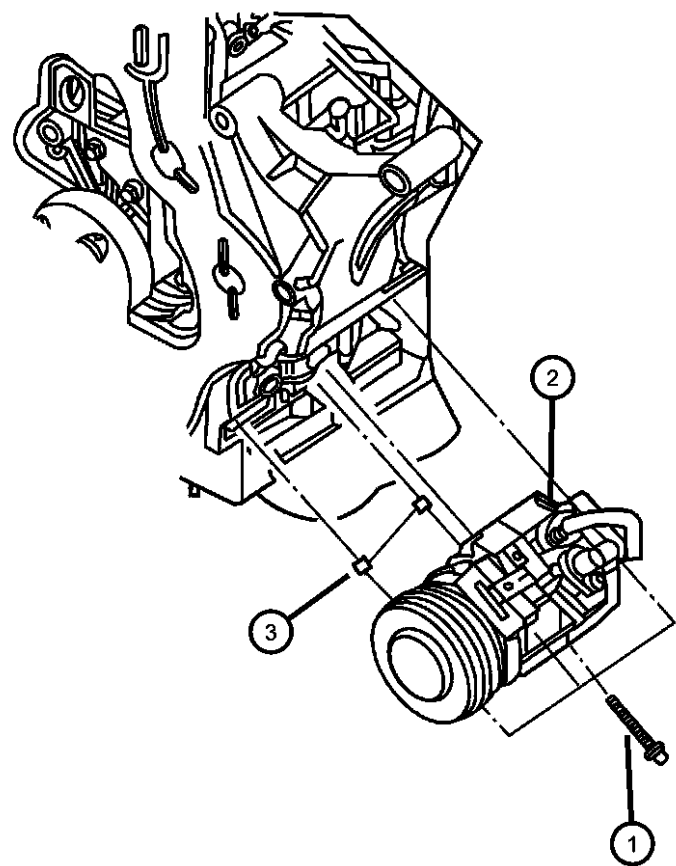
DDD = Transmission - 5-Speed HD Manual
 DDK = Transmission - 5-Speed HD Manual
 DG4 = Transmission-Multi-Speed Auto, 45RFE
 DG6 = Transmission-4-Spd. Automatic, 42RLE
 DGQ = Transmission-5-Spd Automatic 5-45RFE
 DBB = All Manual Transmissions
 DG0 = All Automatic Transmissions

AR = use ase required - = Non illustrated part

2004 KJ

**Compressor Mounting, 2.5,2.8L Diesel Engine
Figure 24-530**

ITEM	PART NUMBER	QTY	LINE	SERIES	BODY	ENGINE	TRANS	TRIM	DESCRIPTION
1	04897253AA	1				EN0			BOLT, Hex Flange Head, M10x35
2	05093940AA	1				EN0			COMPRESSOR, Air Conditioning Without Clutch
	55037467AB	1				EN0			With Clutch
3	05066930AA	2				EN0			PIN



LIBERTY (KJ)

SERIES	LINE
P = Limited	J = LHD (4WD)
H = Sport	U = RHD (4WD)
M = Renegade	T = LHD (2WD)

BODY
74 = 4 Door (104.3 WB)

ENGINE
ED1 = Engine - 2.4L 4 Cyl
DOHC 16v SMPI
EKG = Engine - 3.7L V6
ENJ = Engine -2.5L 4 Cyl 16V
Turbo Diesel
ENR = Engine - 2.8L 4 Cyl
Turbo Diesel
EN0 = 4Cyl Turbo Diesel
EK0 = All 3.7L
ED0 = All 2.4L

TRANSMISSION
DDD = Transmission - 5-Speed HD
Manual
DDK = Transmission - 5-Speed HD
Manual
DG4 = Transmission-Multi-Speed
Auto, 45RFE
DG6 = Transmission-4-Spd.
Automatic, 42RLE
DGQ = Transmission-5-Spd Automatic
5-45RFE
DBB = All Manual Transmissions
DG0 = All Automatic Transmissions

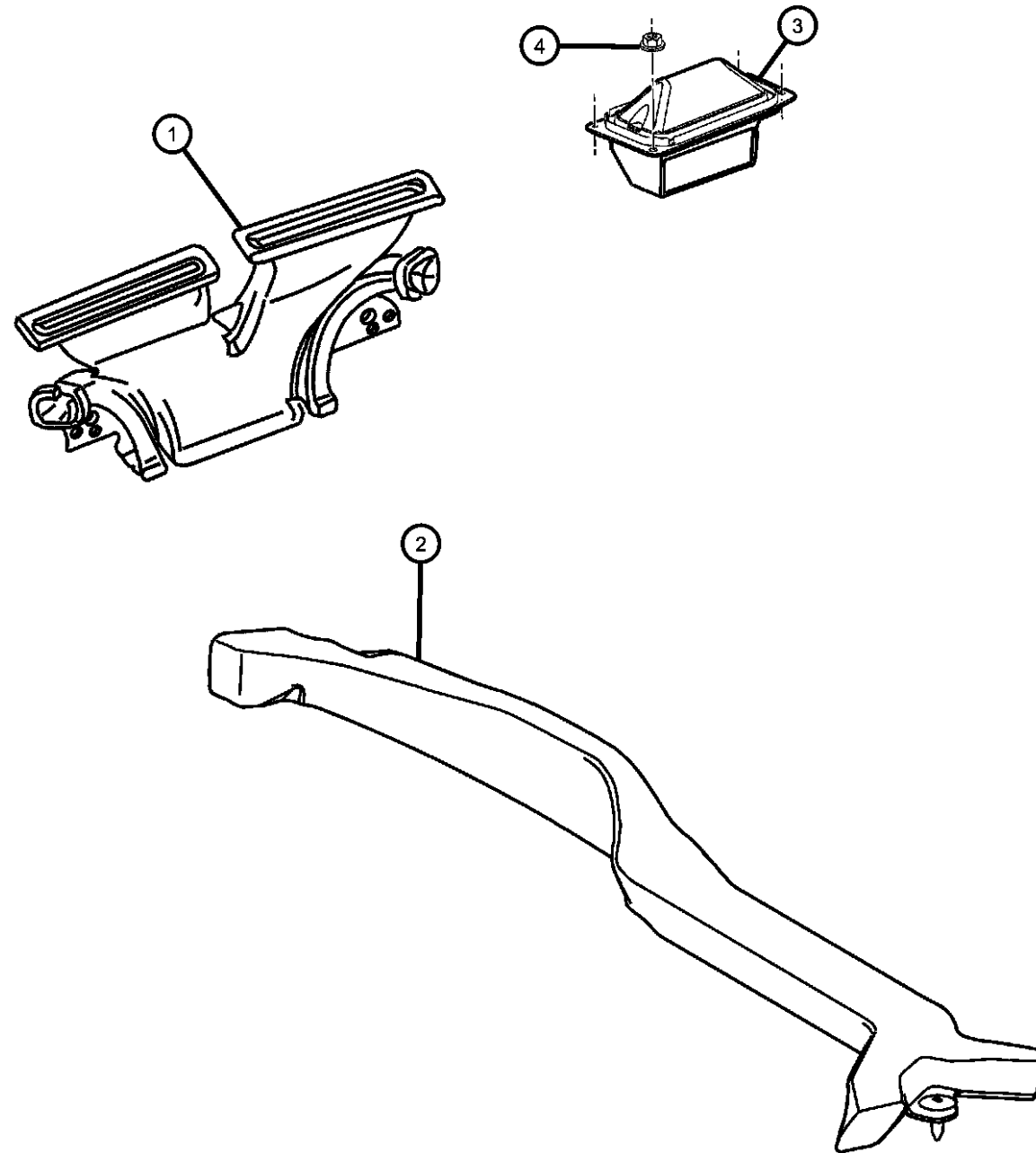
AR = use ase required - = Non illustrated part

2004 KJ

Air Distribution Ducts
Figure 24-610

ITEM	PART NUMBER	QTY	LINE	SERIES	BODY	ENGINE	TRANS	TRIM	DESCRIPTION
------	-------------	-----	------	--------	------	--------	-------	------	-------------

NOTE : SALES CODES
[DBB]= Transmission - All Manual
[DG0] = Transmission - All Automatic



1	55037448AB	1	J, T						DUCT, Defroster
	55037535AB	1	U						
2	55037480AB	1							DUCT, Rear Floor Heat
	55037562AB	1							[DG0] [DBB]
3	55037522AA	1	J, T						BAFFLE, Air Inlet
	55037523AA	1	U						
4	55037523AA	1							NUT, (NOT SERVICED)

LIBERTY (KJ)

SERIES

P = Limited
H = Sport
M = Renegade

LINE

J = LHD (4WD)
U = RHD (4WD)
T = LHD (2WD)

BODY

74 = 4 Door (104.3 WB)

ENGINE

ED1 = Engine - 2.4L 4 Cyl
DOHC 16v SMPI
EKG = Engine - 3.7L V6
ENJ = Engine -2.5L 4 Cyl 16V
Turbo Diesel
ENR = Engine - 2.8L 4 Cyl
Turbo Diesel
ENO = 4Cyl Turbo Diesel
EKO = All 3.7L
EDO = All 2.4L

TRANSMISSION

DDD = Transmission - 5-Speed HD
Manual
DDK = Transmission - 5-Speed HD
Manual
DG4 = Transmission-Multi-Speed
Auto, 45RFE
DG6 = Transmission-4-Spd.
Automatic, 42RLE
DGQ = Transmission-5-Spd Automatic
5-45RFE
DBB = All Manual Transmissions
DG0 = All Automatic Transmissions

AR = use ase required - = Non illustrated part

2004 KJ

Group - 25

Emission Systems

Group - 25 Emission Systems

Illustration Title

Group-Fig. No.

EGR System

EGR System 2.8L [EN0]Fig. 25 - 210

Vacuum Canister

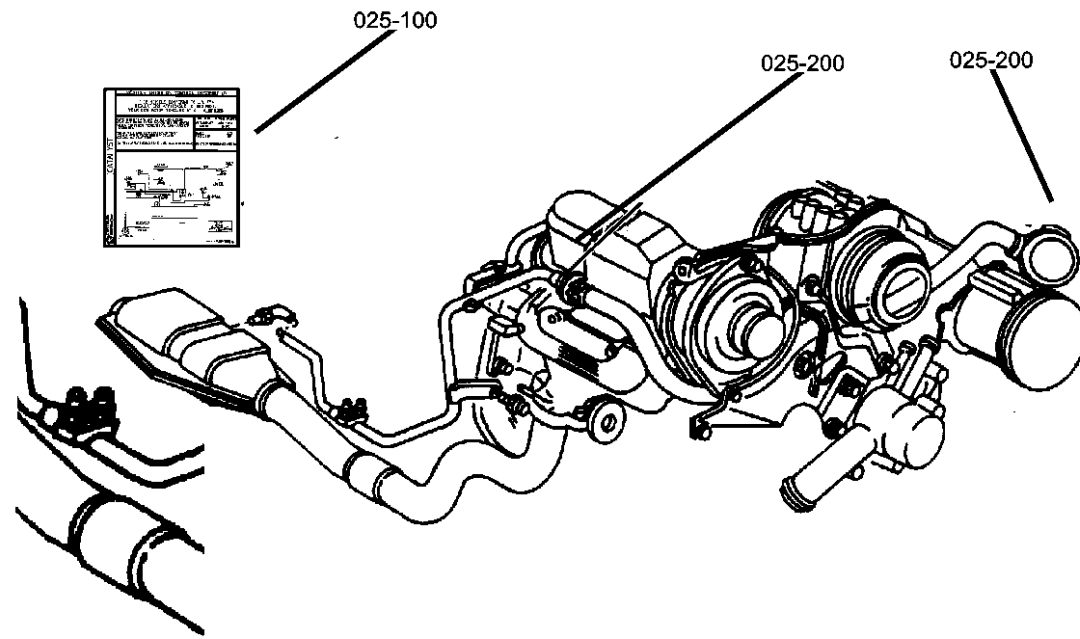
Vapor Canister 2.4L [ED1], 3.7L [EKG]Fig. 25 - 310

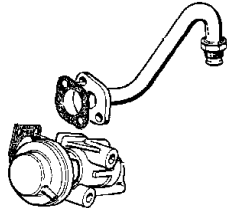

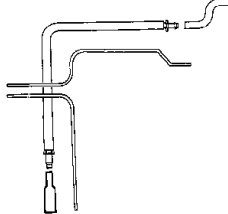
Emission Harness

Emission Vacuum Harness 2.8L [EN0]Fig. 25 - 410

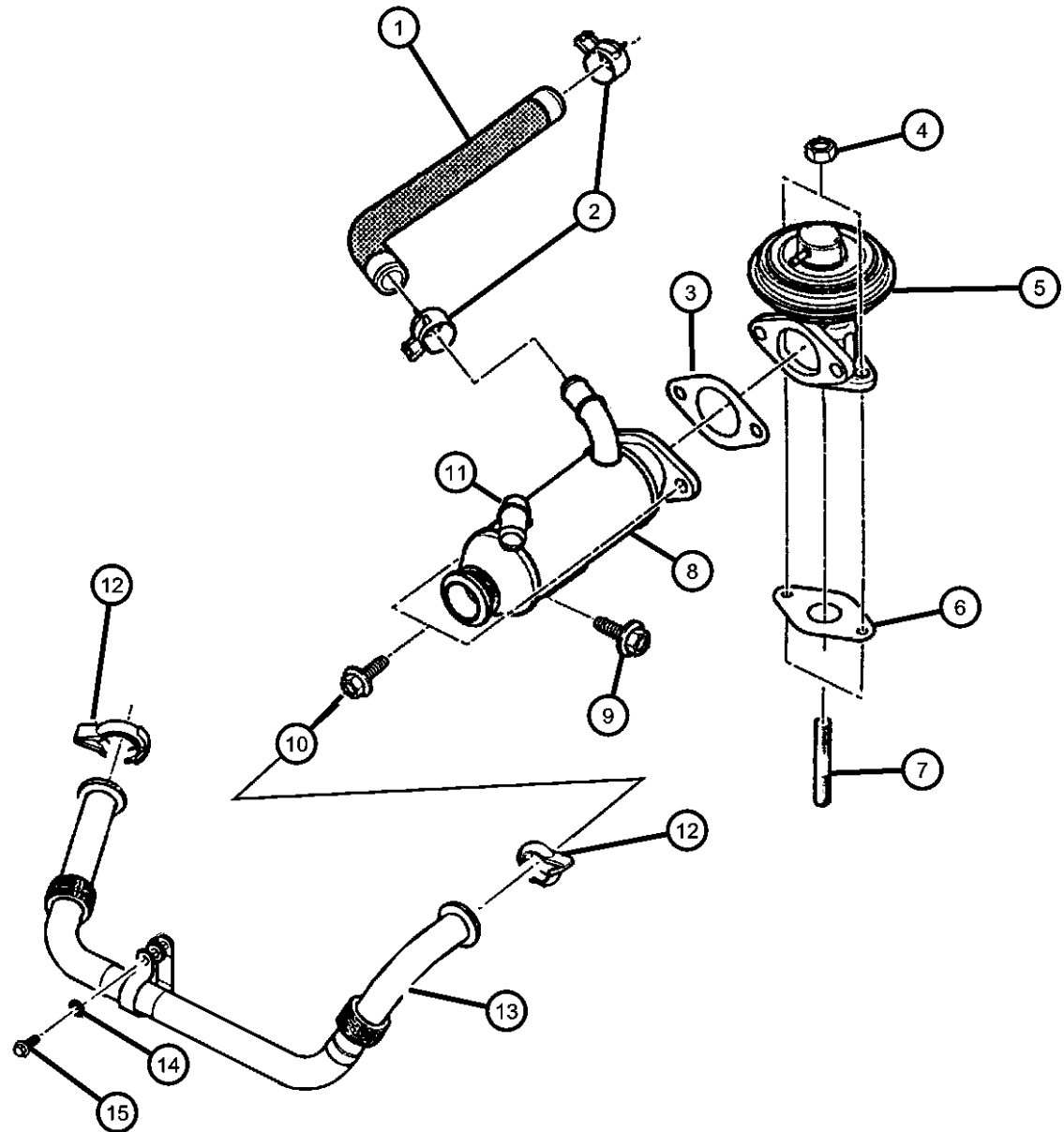
Emission Vacuum Harness 2.4L [ED1], 3.7L [EKG]Fig. 25 - 420

Leak Detection Pump, 2.4L [ED1], 3.7L [EKG]Fig. 25 - 430



<p>025-200 EGR System</p> 	<p>025-300 Vacuum Canister</p> 	<p>025-400 Emission Harness</p> 	
--	---	---	--

**EGR System 2.8L [EN0]
Figure 25-210**



ITEM	PART NUMBER	QTY	LINE	SERIES	BODY	ENGINE	TRANS	TRIM	DESCRIPTION
Note; Sales Codes [DBB]= All Manual Transmissions [EN0]= All 2.8L 4 Cylinder Turbo Diesels									
1	05072689AA	1				EN0	DG0		PIPE, EGR to Manifold
2	04883924AA	2				EN0	DG0		CLAMP, Heater Hose
3									GASKET, EGR Tube Flange
	05083261AA	1				EN0	DG0		
4		1				EN0	DBB		
	04882610	4				EN0	DG0		NUT, Lock
		6				EN0	DBB		
5									VALVE, EGR
	05066800AB	1				EN0	DG0		
		1				EN0	DBB		
6	04663247AB	1				ED0			GASKET, EGR Valve
7	04882606	1				EN0	DG0		STUD, Turbo Elbow
8	05072687AB	1				EN0	DG0		COOLER, EGR
9									SCREW
	05072688AA	4				EN0	DBB		
		4				EN0	DG0		
10									SCREW
	05066986AA	1				EN0	DG0		
		1				EN0	DBB		
11	05066942AA	1				EN0	DG0		CLAMP
12	05066943AA	1				EN0	DG0		CLAMP, Hose
13									PIPE, EGR
	05093932AA	1				EN0	DBB		
		1				EN0	DG0		
14									WASHER, Starter
	04723279	1				EN0	DBB		
		1				EN0	DG0		

LIBERTY (KJ)

SERIES	LINE
P = Limited	J = LHD (4WD)
H = Sport	U = RHD (4WD)
M = Renegade	T = LHD (2WD)

BODY
74 = 4 Door (104.3 WB)

ENGINE
ED1 = Engine - 2.4L 4 Cyl
DOHC 16v SMPI
EKG = Engine - 3.7L V6
ENJ = Engine -2.5L 4 Cyl 16V
Turbo Diesel
ENR = Engine - 2.8L 4 Cyl
Turbo Diesel
EN0 = 4Cyl Turbo Diesel
EN0 = All 3.7L
ED0 = All 2.4L

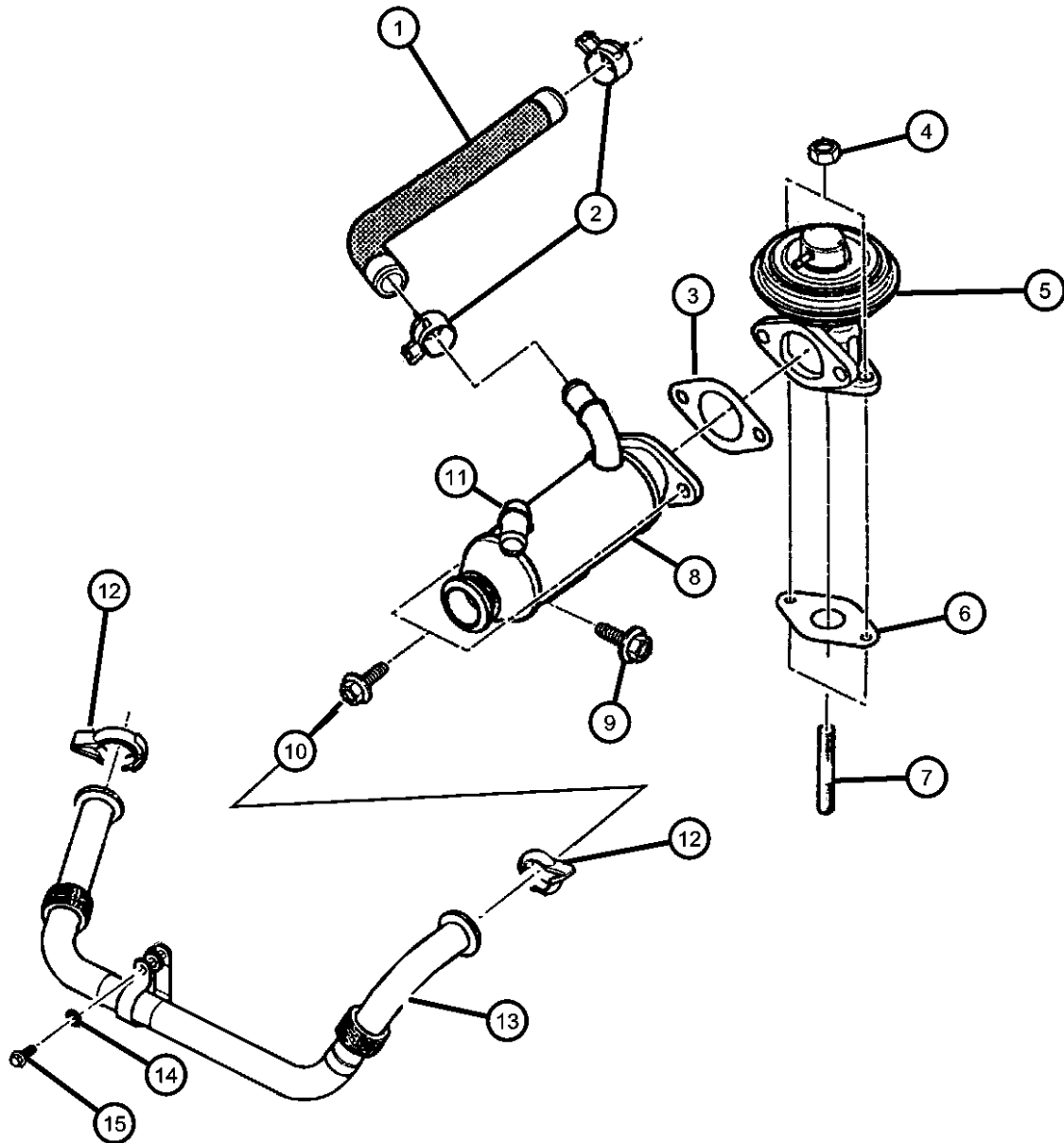
TRANSMISSION
DDD = Transmission - 5-Speed HD
Manual
DDK = Transmission - 5-Speed HD
Manual
DG4 = Transmission-Multi-Speed
Auto, 45RFE
DG6 = Transmission-4-Spd.
Automatic, 42RLE
DGQ = Transmission-5-Spd Automatic
5-45RFE
DBB = All Manual Transmissions
DG0 = All Automatic Transmissions

AR = use ase required - = Non illustrated part

2004 KJ

**EGR System 2.8L [EN0]
Figure 25-210**

ITEM	PART NUMBER	QTY	LINE	SERIES	BODY	ENGINE	TRANS	TRIM	DESCRIPTION
15									SCREW
	05066944AA	4				EN0	DBB		
		4				EN0	DG0		



LIBERTY (KJ)

SERIES LINE
P = Limited J = LHD (4WD)
H = Sport U = RHD (4WD)
M = Renegade T = LHD (2WD)

BODY
74 = 4 Door (104.3 WB)

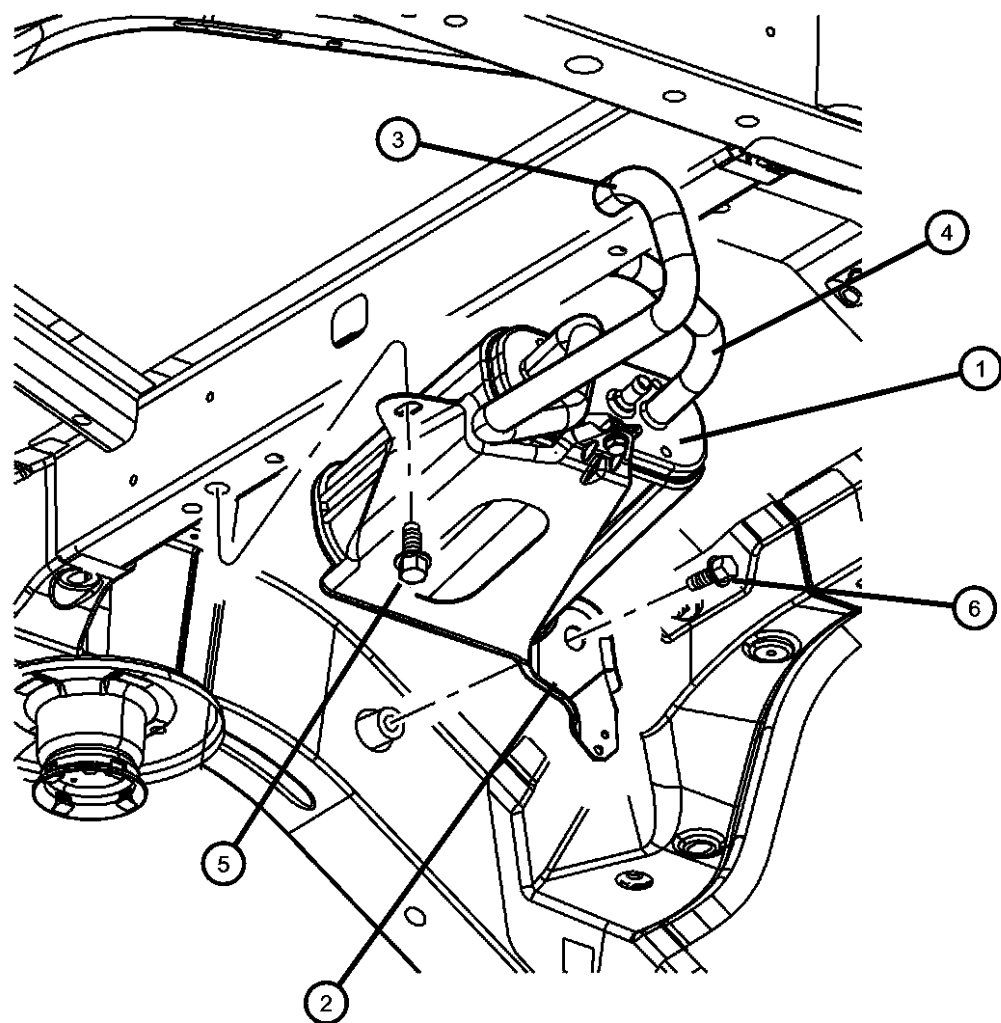
ENGINE
ED1 = Engine - 2.4L 4 Cyl
DOHC 16v SMPI
EKG = Engine - 3.7L V6
ENJ = Engine -2.5L 4 Cyl 16V
Turbo Diesel
ENR = Engine - 2.8L 4 Cyl
Turbo Diesel
EN0 = 4Cyl Turbo Diesel
EK0 = All 3.7L
ED0 = All 2.4L

TRANSMISSION
DDD = Transmission - 5-Speed HD
Manual
DDK = Transmission - 5-Speed HD
Manual
DG4 = Transmission-Multi-Speed
Auto, 45RFE
DG6 = Transmission-4-Spd.
Automatic, 42RLE
DGQ = Transmission-5-Spd Automatic
5-45RFE
DBB = All Manual Transmissions
DG0 = All Automatic Transmissions

AR = use ase required - = Non illustrated part

Vapor Canister 2.4L [ED1], 3.7L [EKG]
Figure 25-310

ITEM	PART NUMBER	QTY	LINE	SERIES	BODY	ENGINE	TRANS	TRIM	DESCRIPTION
1	04891562AA	1				ED0, EK0			CANISTER, Vapor
2	52128677AA	1				ED0, EK0			BRACKET, Vapor Canister
3	52128661AA	1				ED0, EK0			HOSE, Canister to NVLD
4	52128679AA	1				ED0, EK0			HOSE, Canister to Vent Valve
5	06101452	1				ED0, EK0			SCREW AND WASHER, Hex Head, M8x1.25x20
6	06503900	2				ED0, EK0			SCREW AND WASHER, Hex Head, M12x1.75x40
-7	06101467	1				ED0, EK0			NUT, Hex Flange, M8x1.25



LIBERTY (KJ)

SERIES

P = Limited
H = Sport
M = Renegade

LINE

J = LHD (4WD)
U = RHD (4WD)
T = LHD (2WD)

BODY

74 = 4 Door (104.3 WB)

ENGINE

ED1 = Engine - 2.4L 4 Cyl
DOHC 16v SMPI
EKG = Engine - 3.7L V6
ENJ = Engine -2.5L 4 Cyl 16V
Turbo Diesel
ENR = Engine - 2.8L 4 Cyl
Turbo Diesel
ENO = 4Cyl Turbo Diesel
EK0 = All 3.7L
ED0 = All 2.4L

TRANSMISSION

DDD = Transmission - 5-Speed HD
Manual
DDK = Transmission - 5-Speed HD
Manual
DG4 = Transmission-Multi-Speed
Auto, 45RFE
DG6 = Transmission-4-Spd.
Automatic, 42RLE
DGQ = Transmission-5-Spd Automatic
5-45RFE
DBB = All Manual Transmissions
DG0 = All Automatic Transmissions

AR = use ase required - = Non illustrated part

2004 KJ

Emission Vacuum Harness 2.8L [EN0]

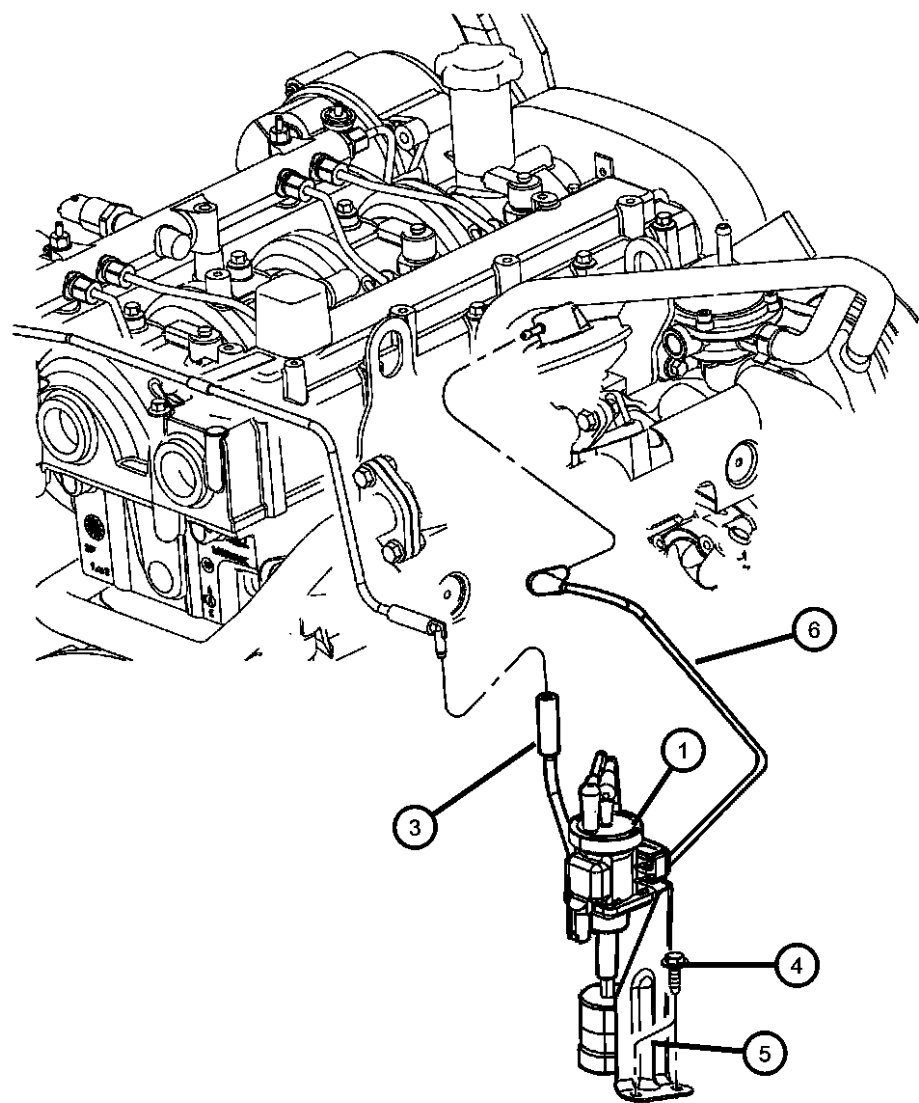
Figure 25-410

ITEM	PART NUMBER	QTY	LINE	SERIES	BODY	ENGINE	TRANS	TRIM	DESCRIPTION
------	-------------	-----	------	--------	------	--------	-------	------	-------------

Note: Sales Codes

[EN0]= All 2.8L 4 Cylinder Turbo Diesels

1	05274478AA	1	J, U			EN0			SOLENOID, Vacuum
-2	05274510AA	1	J, U			EN0			FILTER, Vacuum Solenoid
3	52109619AB	1	J, U			EN0			HOSE, Solenoid
4	52109619AB	1							SCREW, M4.8-1.59X15.00, (NOT SERVICED)
5	53013411AB	1	J, U			EN0			BRACKET
6	53013088AD	1	J, U			EN0			TUBE, EGR To Vacuum Regulator



LIBERTY (KJ)

SERIES	LINE
P = Limited	J = LHD (4WD)
H = Sport	U = RHD (4WD)
M = Renegade	T = LHD (2WD)

BODY
74 = 4 Door (104.3 WB)

ENGINE	TRANSMISSION
ED1 = Engine - 2.4L 4 Cyl DOHC 16v SMPI	DDD = Transmission - 5-Speed HD Manual
EKG = Engine - 3.7L V6	DDK = Transmission - 5-Speed HD Manual
ENJ = Engine -2.5L 4 Cyl 16V Turbo Diesel	DG4 = Transmission-Multi-Speed Auto, 45RFE
ENR = Engine - 2.8L 4 Cyl Turbo Diesel	DG6 = Transmission-4-Spd. Automatic, 42RLE
EN0 = 4Cyl Turbo Diesel	DGQ = Transmission-5-Spd Automatic 5-45RFE
EK0 = All 3.7L	DBB = All Manual Transmissions
ED0 = All 2.4L	DG0 = All Automatic Transmissions

AR = use ase required - = Non illustrated part

2004 KJ

Emission Vacuum Harness 2.4L [ED1], 3.7L [EKG]

Figure 25-420

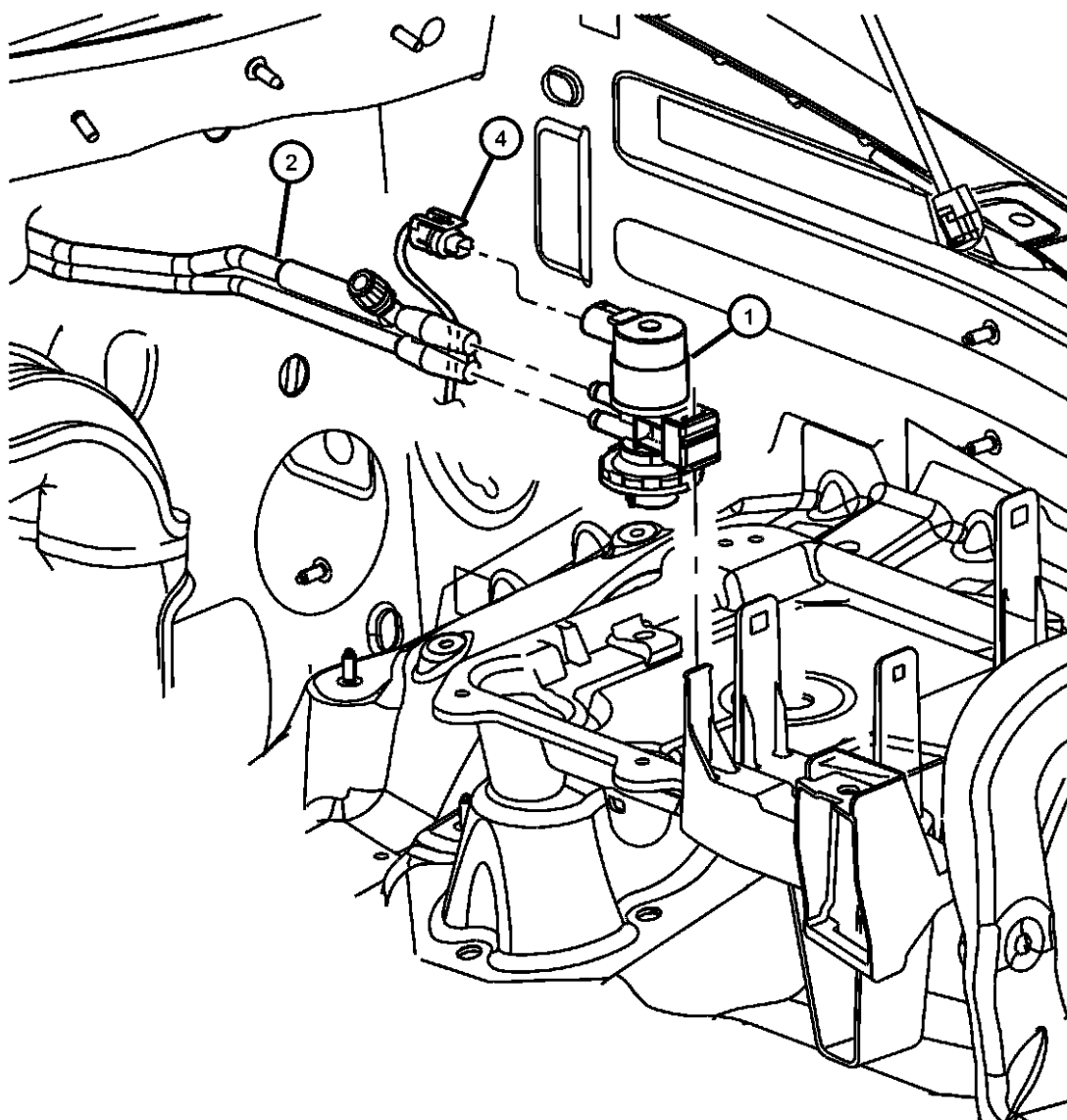
ITEM	PART NUMBER	QTY	LINE	SERIES	BODY	ENGINE	TRANS	TRIM	DESCRIPTION
------	-------------	-----	------	--------	------	--------	-------	------	-------------

Note; Sales Codes

[ED0]= All 2.2L, 2.5L, 2.4L, 4 Cylinder Gas Engines

[EK0]= All 3.7L 6 Cylinder Gas Engines

1	52090419AA	1				ED0, EK0			SOLENOID, Proportional Purge
2	52128696AC	1				EK0			HARNESS, Vapor Purge
		1				ED0			
-3									TUBE, Vacuum, From Vapor
	52128663AB	1				EK0			Harness To Throttle Body
	52128666AB	1				ED0			
4	52128666AB	1							CONNECTOR, See Headlamp
									To Dash Wiring , Group 8, (NOT
									SERVICED)
-5	03580172	1							CAP, Vacuum



LIBERTY (KJ)

SERIES

P = Limited
H = Sport
M = Renegade

LINE

J = LHD (4WD)
U = RHD (4WD)
T = LHD (2WD)

BODY

74 = 4 Door (104.3 WB)

ENGINE

ED1 = Engine - 2.4L 4 Cyl
DOHC 16v SMPI
EKG = Engine - 3.7L V6
ENJ = Engine -2.5L 4 Cyl 16V
Turbo Diesel
ENR = Engine - 2.8L 4 Cyl
Turbo Diesel
ENO = 4Cyl Turbo Diesel
EK0 = All 3.7L
ED0 = All 2.4L

TRANSMISSION

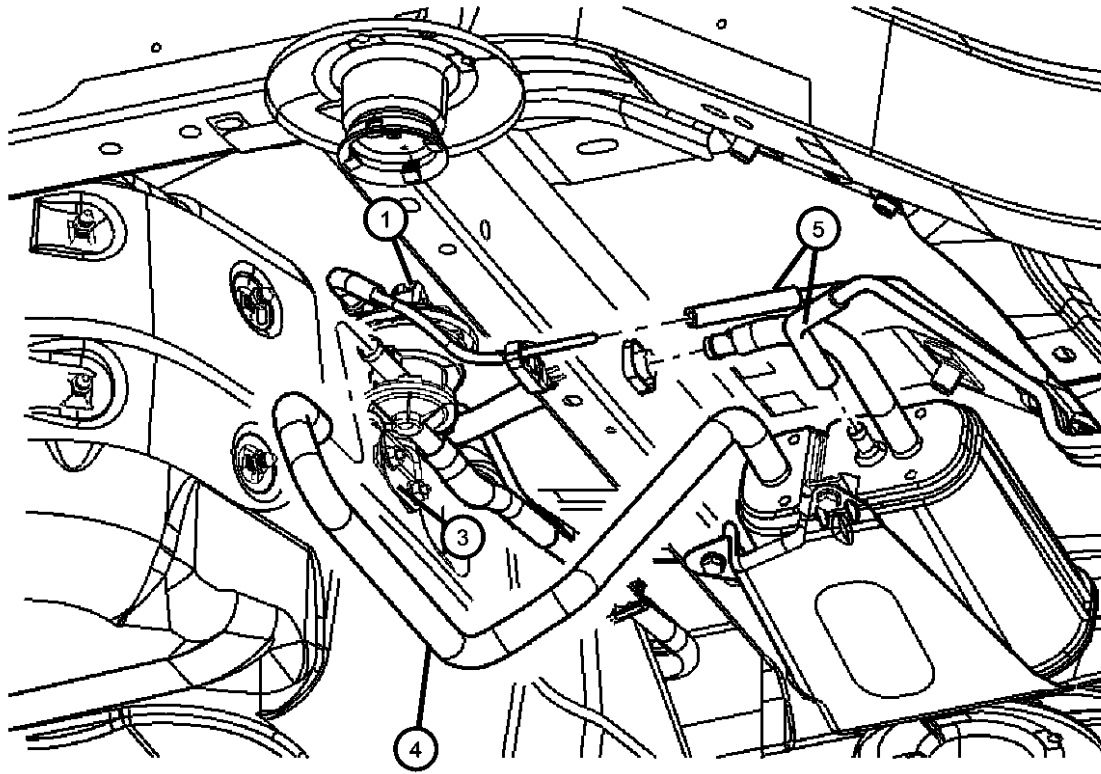
DDD = Transmission - 5-Speed HD
Manual
DDK = Transmission - 5-Speed HD
Manual
DG4 = Transmission-Multi-Speed
Auto, 45RFE
DG6 = Transmission-4-Spd.
Automatic, 42RLE
DGQ = Transmission-5-Spd Automatic
5-45RFE
DBB = All Manual Transmissions
DG0 = All Automatic Transmissions

AR = use ase required - = Non illustrated part

2004 KJ

**Leak Detection Pump, 2.4L [ED1], 3.7L [EKG]
Figure 25-430**

ITEM	PART NUMBER	QTY	LINE	SERIES	BODY	ENGINE	TRANS	TRIM	DESCRIPTION
Note; Sales Code									
[ED0]= All 2.2L, 2.5L, 2.4L, 4 Cylinder Gas Engines									
[EK0]= All 3.7L 6 Cylinder Gas Engines									
1	04891525AB	1				ED0, EK0			DETECTOR, Natural Vacuum Leak Detection
-2	05085164AA	1				ED0, EK0			FILTER, Leak Detection Pump
3	52128629AC	1				ED0, EK0			BRACKET, Natural Vacuum Leak Detection
4	52128661AA	1				ED0, EK0			HOSE, Canister to NVLD
5	52128661AA	1							BUNDLE, Fuel Line, Service in group 14, (NOT SERVICED)
-6	52128679AA	1				ED0, EK0			HOSE, Canister to Vent Valve
-7									TUBE, Vacuum
	52128663AB	1				EK0			
	52128666AB	1				ED0			
-8	52128700AB	1				ED0, EK0			TUBE, Fuel Vapor
-9	52128631AB	1				ED0, EK0			TUBE, Vapor
-10	04891562AA	1				ED0, EK0			CANISTER, Vapor



LIBERTY (KJ)

SERIES	LINE	BODY	ENGINE	TRANSMISSION
P = Limited	J = LHD (4WD)	74 = 4 Door (104.3 WB)	ED1 = Engine - 2.4L 4 Cyl DOHC 16v SMPI	DDD = Transmission - 5-Speed HD Manual
H = Sport	U = RHD (4WD)		EKG = Engine - 3.7L V6	DDK = Transmission - 5-Speed HD Manual
M = Renegade	T = LHD (2WD)		ENJ = Engine -2.5L 4 Cyl 16V Turbo Diesel	DG4 = Transmission-Multi-Speed Auto, 45RFE
			ENR = Engine - 2.8L 4 Cyl Turbo Diesel	DG6 = Transmission-4-Spd. Automatic, 42RLE
			ENO = 4Cyl Turbo Diesel	DGQ = Transmission-5-Spd Automatic 5-45RFE
			EK0 = All 3.7L	DBB = All Manual Transmissions
			ED0 = All 2.4L	DG0 = All Automatic Transmissions

AR = use ase required - = Non illustrated part

Group - DKJ

Doors and Related Parts

Group - DKJ Doors and Related Parts

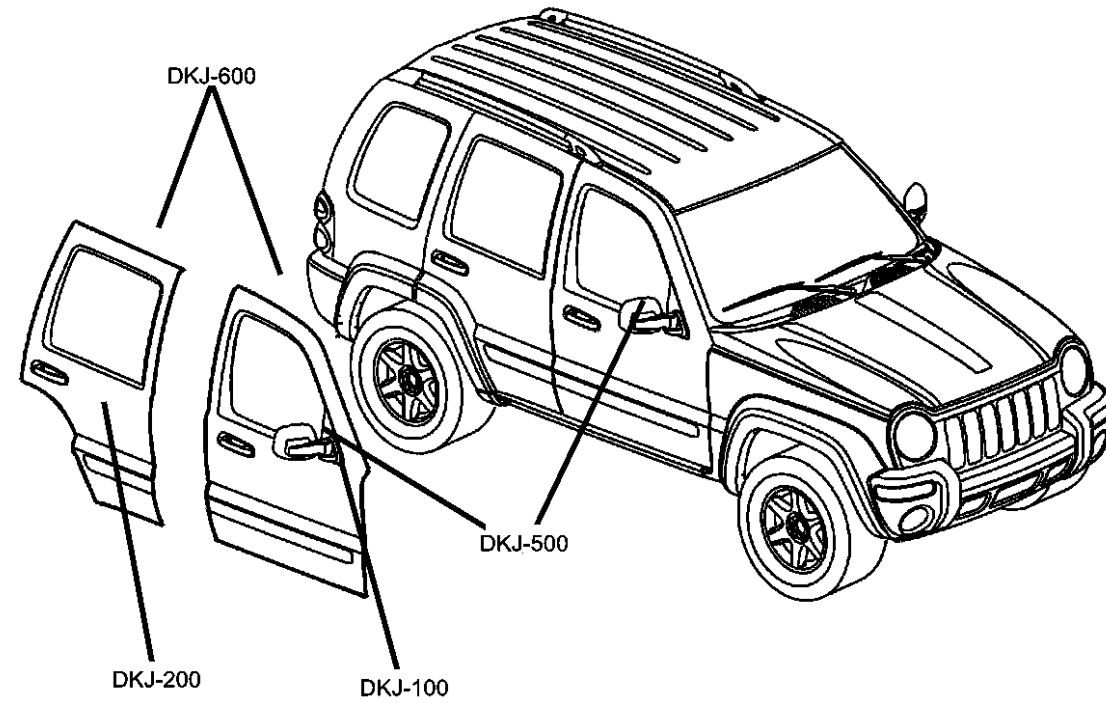


Illustration Title

Group-Fig. No.

Front Door

Door, Front, Shell and Hinges	Fig. DKJ - 110
Door, Front, Glass and Regulator	Fig. DKJ - 120
Door, Front, Lock and Controls	Fig. DKJ - 130

Rear Door

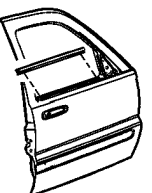
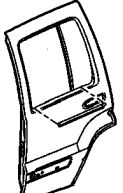

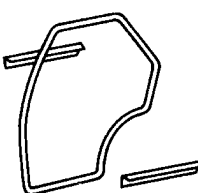
Door, Rear, Shell and Hinges	Fig. DKJ - 210
Door, Rear, Glass and Regulator	Fig. DKJ - 220
Door, Rear, Lock and Controls	Fig. DKJ - 230

Exterior Mirror

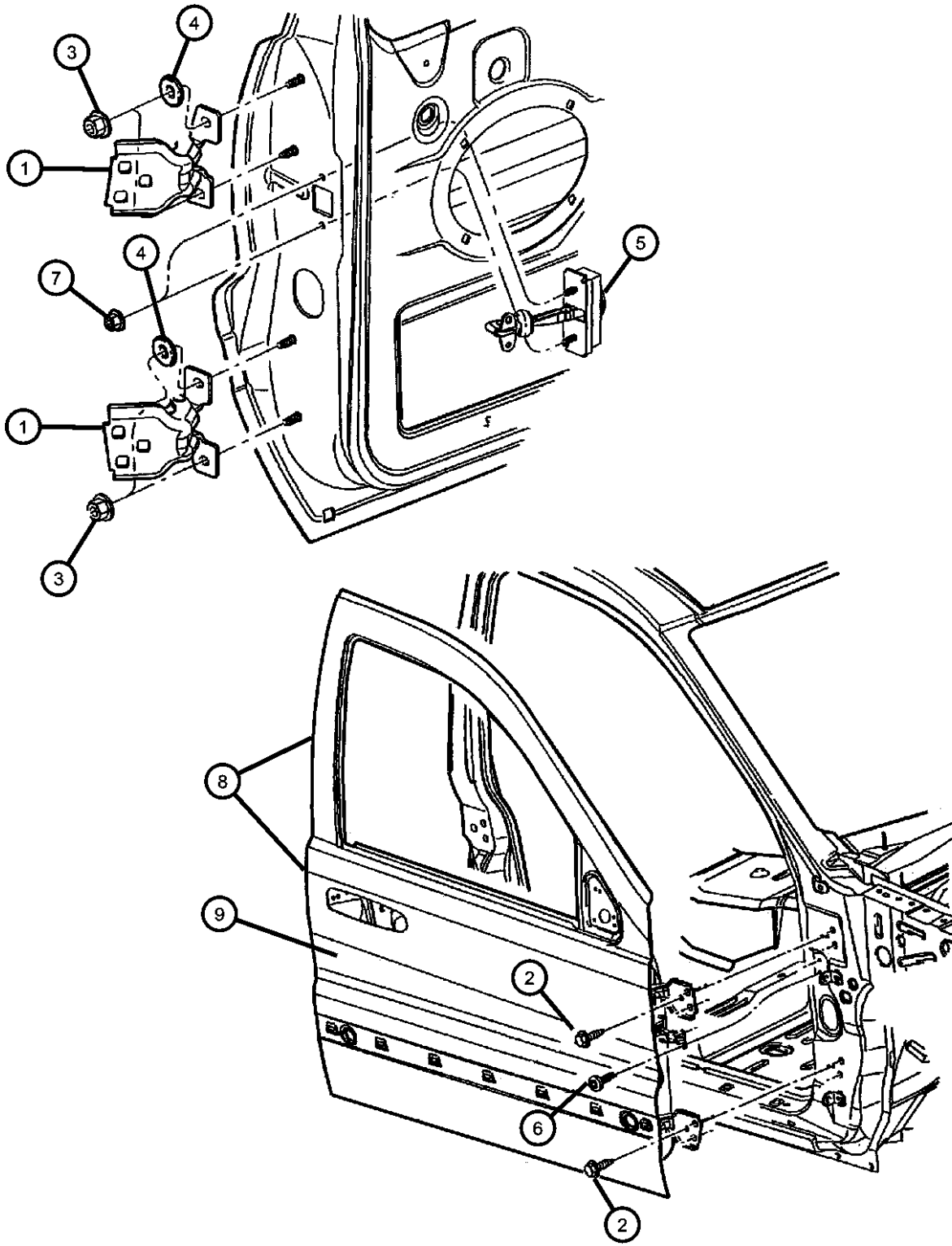
Mirrors, Exterior	Fig. DKJ - 510
-------------------------	----------------

Weatherstrips and Seals

Door, Front	Fig. DKJ - 610
Door, Rear	Fig. DKJ - 620

<p>DKJ-100 Front Door</p> 	<p>DKJ-200 Rear Door</p> 	<p>DKJ-500 Exterior Mirror</p> 	<p>DKJ-600 Weatherstrips and Seals</p> 
--	---	---	---

Door, Front, Shell and Hinges
Figure DKJ-110



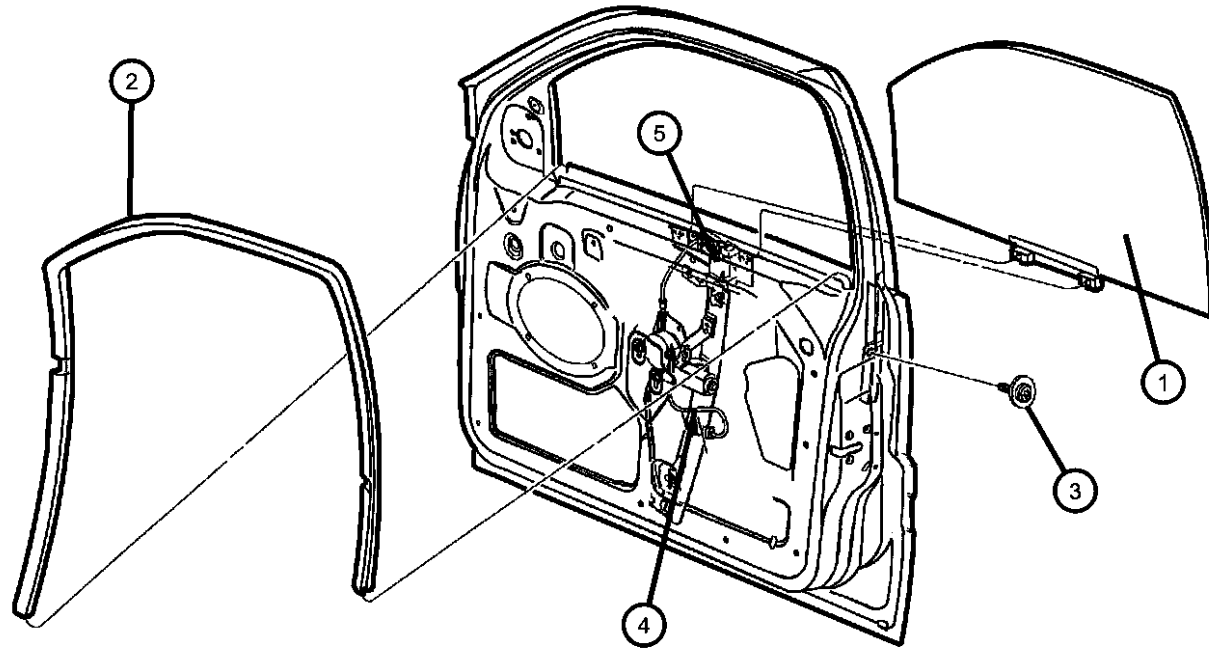
ITEM	PART NUMBER	QTY	LINE	SERIES	BODY	ENGINE	TRANS	TRIM	DESCRIPTION
1	55177026AB	4							HINGE, Door
2	06503328	4							SCREW, Hex Head, M8x1.25x30
3	06101809	1							NUT AND WASHER, Hex, M8x1.25
4	55136971AC	4							WASHER, Flat
5	55177028AC	2							CHECK, Front Door
6	55177028AC	2							SCREW, Torx Round Head, M6-1.0x20.0, (NOT SERVICED)
7	06503504	2							NUT AND WASHER, Hex, M6x1
8									DOOR, Front
	55176890AF	1							Right
	55176891AF	1							Left
9									PANEL, Front Door Outer Repair
	55176882AC	1							Right
	55176883AC	1							Left
-10	55176883AC	1							NUT, Rivet, M5x.080x26.41, (NOT SERVICED)
-11	55360636AA	1	J, T						BRACKET, Door Inside

LIBERTY (KJ)				
SERIES	LINE	BODY	ENGINE	TRANSMISSION
P = Limited	J = LHD (4WD)	74 = 4 Door (104.3 WB)	ED1 = Engine - 2.4L 4 Cyl DOHC 16v SMPI	DDD = Transmission - 5-Speed HD Manual
H = Sport	U = RHD (4WD)		EKG = Engine - 3.7L V6 Turbo Diesel	DDK = Transmission - 5-Speed HD Manual
M = Renegade	T = LHD (2WD)		ENJ = Engine -2.5L 4 Cyl 16V Turbo Diesel	DG4 = Transmission-Multi-Speed Auto, 45RFE
			ENR = Engine - 2.8L 4 Cyl Turbo Diesel	DG6 = Transmission-4-Spd. Automatic, 42RLE
			ENO = 4Cyl Turbo Diesel	DGQ = Transmission-5-Spd Automatic 5-45RFE
			EK0 = All 3.7L	DBB = All Manual Transmissions
			ED0 = All 2.4L	DG0 = All Automatic Transmissions

AR = use ase required - = Non illustrated part

**Door, Front, Glass and Regulator
Figure DKJ-120**

ITEM	PART NUMBER	QTY	LINE	SERIES	BODY	ENGINE	TRANS	TRIM	DESCRIPTION
1	55360374AG	1							GLASS, Front Door Right
	55360375AG	1							Left
2	55235874AD	1							WEATHERSTRIP, Glass Channel Run Right
	55235875AD	1							Left
3	55235875AD	1							SCREW AND WASHER, Tapping, M6-1.0x20.0, (NOT SERVICED)
4	55360030AH	1							REGULATOR, Front Door Window With Power Windows, Right
	55360031AH	1							With Power Windows, Left
	55360032AF	1							Without Power Windows, Right
	55360033AF	1							Without Power Windows, Left
5	55360033AF	1							SCREW, M6X1.00X16.00, (NOT SERVICED),
-6	0FW80XDV	2							HANDLE, Window Regulator



LIBERTY (KJ)

SERIES LINE
P = Limited J = LHD (4WD)
H = Sport U = RHD (4WD)
M = Renegade T = LHD (2WD)

BODY
74 = 4 Door (104.3 WB)

ENGINE
ED1 = Engine - 2.4L 4 Cyl
DOHC 16v SMPI
EKG = Engine - 3.7L V6
ENJ = Engine -2.5L 4 Cyl 16V
Turbo Diesel
ENR = Engine - 2.8L 4 Cyl
Turbo Diesel
ENO = 4Cyl Turbo Diesel
EKO = All 3.7L
EDO = All 2.4L

TRANSMISSION
DDD = Transmission - 5-Speed HD
Manual
DDK = Transmission - 5-Speed HD
Manual
DG4 = Transmission-Multi-Speed
Auto, 45RFE
DG6 = Transmission-4-Spd.
Automatic, 42RLE
DGQ = Transmission-5-Spd Automatic
5-45RFE
DBB = All Manual Transmissions
DG0 = All Automatic Transmissions

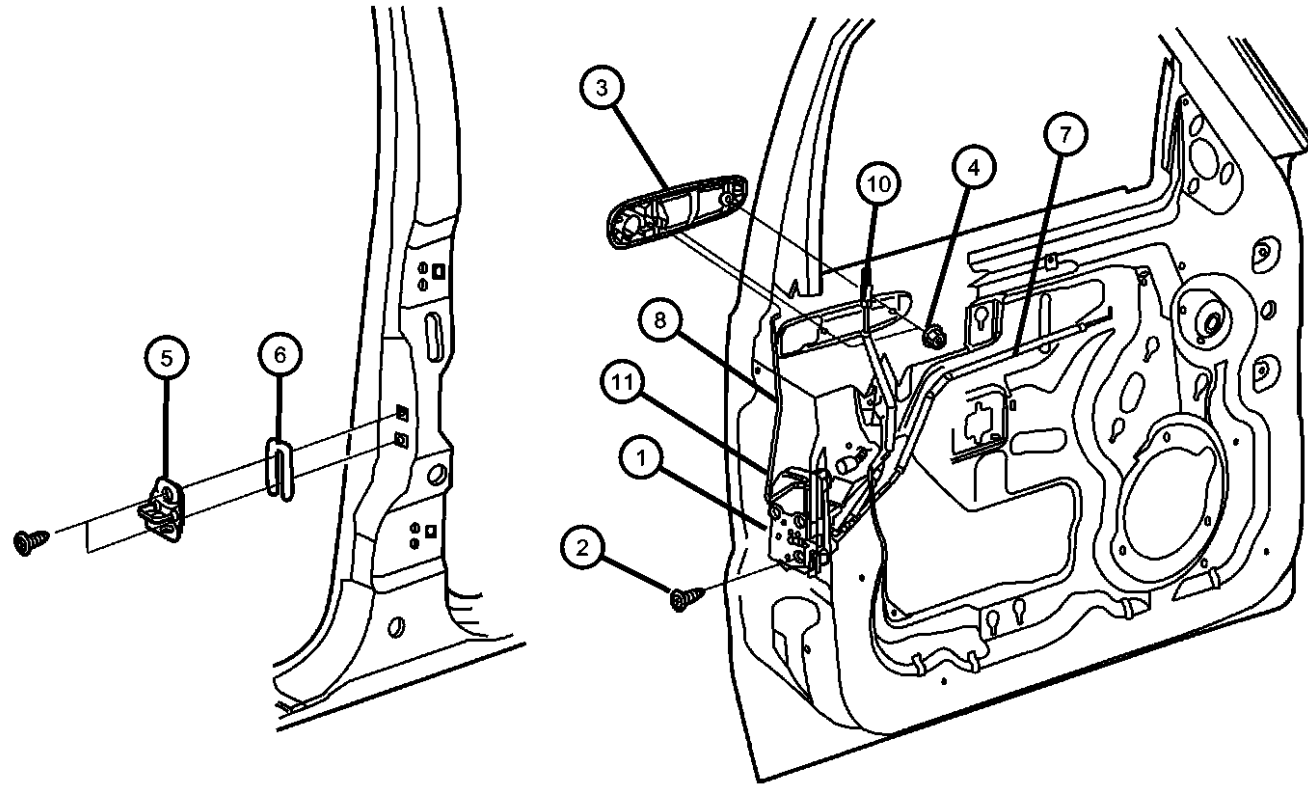
AR = use ase required - = Non illustrated part

2004 KJ

**Door, Front, Lock and Controls
Figure DKJ-130**

ITEM	PART NUMBER	QTY	LINE	SERIES	BODY	ENGINE	TRANS	TRIM	DESCRIPTION
------	-------------	-----	------	--------	------	--------	-------	------	-------------

Note; Sales Codes
[JPB]= Power Locks



1									LATCH, Front Door
	55177040AJ	1							Without [JPB,JPH], Right
	55177041AI	1							Without [JPB,JPH], Left
	55177042AJ	1							[JPB,JPH] [Up To 1-14-04], Right
	55177042AK	1							[JPB,JPH] [After 1-14-04], Right
	55177043AI	1							[JPB,JPH] [Up To 1-20-04], Left
	55177043AK	1							[JPB,JPH] [After 1-20-04], Left
	55360611AC	1							[GXM] [Up To 1-13-04], Right
	55360611AD	1							[GXM] [After 1-13-04], Right
2	06033876	6							SCREW, Tapping, M6.3x1.8x38.1
3									HANDLE, Front Door Exterior
	55360332AF	1							With Cylinder, Right
	55360333AF	1							, Left
	55360614AB	1							Without Cylinder, Right
4	06503226	2							NUT, Hex Flange, M5x.8
5	04780607AA	2							STRIKER, Door
6	04520289	AR							SPACER, Door Latch Striker
7									ROD, Inside Handle to Latch
	05072350AA	1							Right
	05072351AA	1							Left
8	05072354AA	1							ROD, Inside Lock to LatchRight
-9	04658677	2							CLIP, Latch Link
10									ROD, Latch To Knob
	55360534AC	1							Right
	55360535AC	1							Left
11									LINK, Exterior Door Handle,
	05072358AB	1							05072358aa-9
	05072359AB	1							With Cylinder, Right
									, Left

LIBERTY (KJ)

SERIES	LINE
P = Limited	J = LHD (4WD)
H = Sport	U = RHD (4WD)
M = Renegade	T = LHD (2WD)

BODY
74 = 4 Door (104.3 WB)

ENGINE
ED1 = Engine - 2.4L 4 Cyl
DOHC 16v SMPI
EKG = Engine - 3.7L V6
ENJ = Engine -2.5L 4 Cyl 16V
Turbo Diesel
ENR = Engine - 2.8L 4 Cyl
Turbo Diesel
ENO = 4Cyl Turbo Diesel
EKO = All 3.7L
EDO = All 2.4L

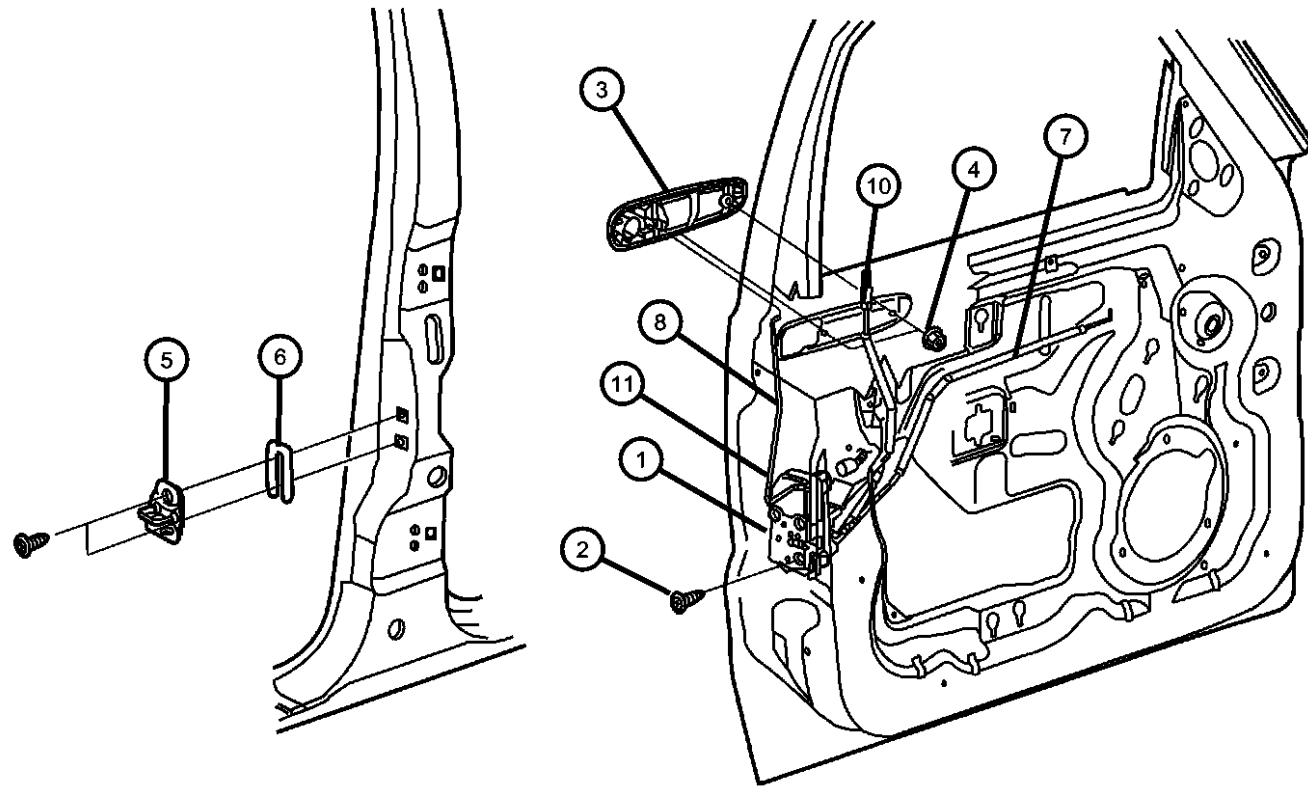
TRANSMISSION
DDD = Transmission - 5-Speed HD
Manual
DDK = Transmission - 5-Speed HD
Manual
DG4 = Transmission-Multi-Speed
Auto, 45RFE
DG6 = Transmission-4-Spd.
Automatic, 42RLE
DGQ = Transmission-5-Spd Automatic
5-45RFE
DBB = All Manual Transmissions
DG0 = All Automatic Transmissions

AR = use ase required - = Non illustrated part

2004 KJ

**Door, Front, Lock and Controls
Figure DKJ-130**

ITEM	PART NUMBER	QTY	LINE	SERIES	BODY	ENGINE	TRANS	TRIM	DESCRIPTION
	05103132AA	1							Without Cylinder, Right
-12									CLIP, Outside Door Handle
	04615346	1							Inner
	04615347	1							Outer



LIBERTY (KJ)

SERIES LINE
P = Limited J = LHD (4WD)
H = Sport U = RHD (4WD)
M = Renegade T = LHD (2WD)

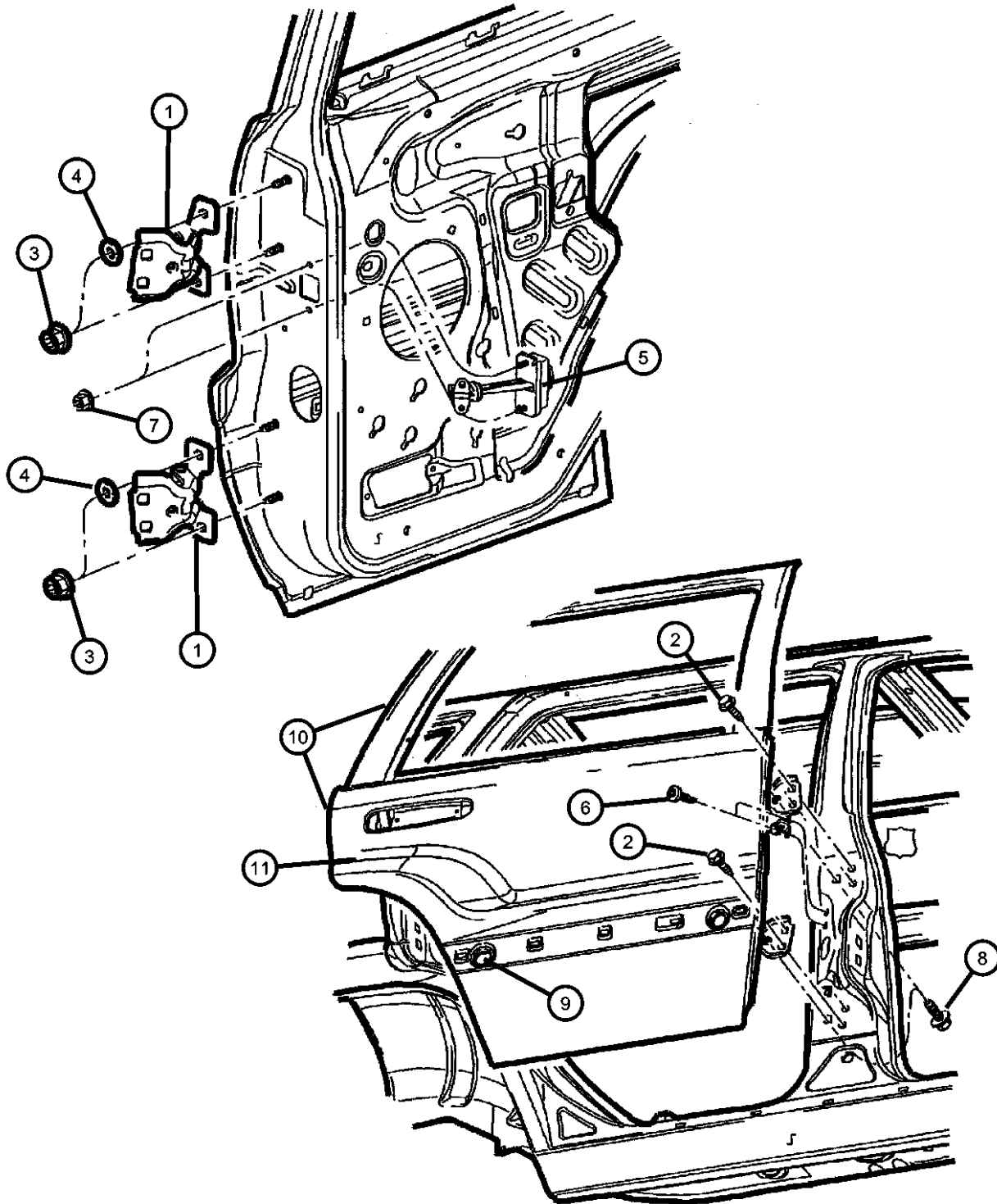
BODY
74 = 4 Door (104.3 WB)

ENGINE
ED1 = Engine - 2.4L 4 Cyl
DOHC 16v SMPI
EKG = Engine - 3.7L V6
ENJ = Engine -2.5L 4 Cyl 16V
Turbo Diesel
ENR = Engine - 2.8L 4 Cyl
Turbo Diesel
ENO = 4Cyl Turbo Diesel
EKO = All 3.7L
EDO = All 2.4L

TRANSMISSION
DDD = Transmission - 5-Speed HD
Manual
DDK = Transmission - 5-Speed HD
Manual
DG4 = Transmission-Multi-Speed
Auto, 45RFE
DG6 = Transmission-4-Spd.
Automatic, 42RLE
DGQ = Transmission-5-Spd Automatic
5-45RFE
DBB = All Manual Transmissions
DG0 = All Automatic Transmissions

AR = use ase required - = Non illustrated part

Door, Rear, Shell and Hinges
Figure DKJ-210



ITEM	PART NUMBER	QTY	LINE	SERIES	BODY	ENGINE	TRANS	TRIM	DESCRIPTION
1	55177030AD	4							HINGE, Door
2	06503328	4							SCREW, Hex Head, M8x1.25x30
3	06101809	1							NUT AND WASHER, Hex, M8x1.25
4	55136971AC	4							WASHER, Flat
5	55177036AC	2							CHECK, Rear Door
6	55177036AC	2							SCREW, Torx Head, M6x1.00x16.00, (NOT SERVICED)
7	06503504	2							NUT AND WASHER, Hex, M6x1
8	06503504	2							SCREW AND WASHER, Hex Head, M8x1.25x30, (NOT SERVICED)
9	55136859AA	2							PLUG
10									DOOR, Rear
	55176906AF	1							Right
	55176907AF	1							Left
11									PANEL, Rear Door
	55176908AC	1							Right
	55176909AC	1							Left

LIBERTY (KJ)

SERIES LINE
P = Limited J = LHD (4WD)
H = Sport U = RHD (4WD)
M = Renegade T = LHD (2WD)

BODY
74 = 4 Door (104.3 WB)

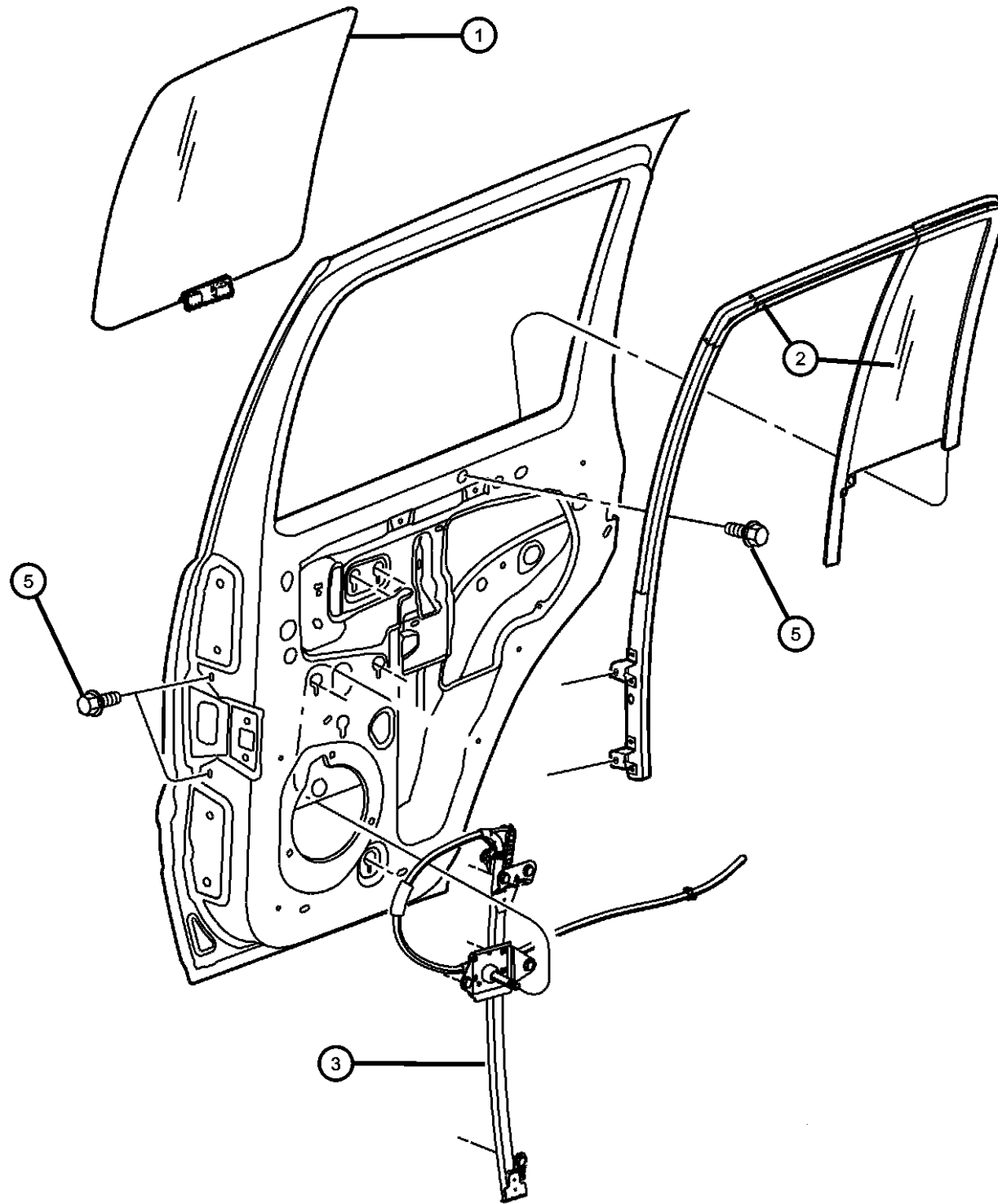
ENGINE
ED1 = Engine - 2.4L 4 Cyl DOHC 16v SMPI
EKG = Engine - 3.7L V6
ENJ = Engine -2.5L 4 Cyl 16V Turbo Diesel
ENR = Engine - 2.8L 4 Cyl Turbo Diesel
ENO = 4Cyl Turbo Diesel
EKO = All 3.7L
EDO = All 2.4L

TRANSMISSION
DDD = Transmission - 5-Speed HD Manual
DDK = Transmission - 5-Speed HD Manual
DG4 = Transmission-Multi-Speed Auto, 45RFE
DG6 = Transmission-4-Spd. Automatic, 42RLE
DGQ = Transmission-5-Spd Automatic 5-45RFE
DBB = All Manual Transmissions
DG0 = All Automatic Transmissions

AR = use ase required - = Non illustrated part

2004 KJ

**Door, Rear, Glass and Regulator
Figure DKJ-220**



ITEM	PART NUMBER	QTY	LINE	SERIES	BODY	ENGINE	TRANS	TRIM	DESCRIPTION
Note; Sales Codes [GEG] = Glass - Deep Tint Sunscreen [GEJ] = Glass - Tinted [JPD] = Window - Power									
1									GLASS, Rear Door, Roll Up
	55360376AF	1							[GEJ], Right
	55360377AE	1							[GEJ], Left
	55360378AF	1							[GEG], Right
	55360379AF	1							[GEG], Left
2									GLASS, Rear Door, Fixed, With Weatherstrip
	05103247AC	1							[GEJ], Left
	05103248AC	1							[GEJ], Right
	05103251AC	1							[GEG], Left
	05103252AC	1							[GEG], Right
3									REGULATOR, Rear Door Window
	55360034AG	1							With Power Windows, Right
	55360035AG	1							With Power Windows, Left
	55360036AE	1							Without Power Windows, Right
	55360037AE	1							Without Power Windows, Left
-4									HANDLE, Window Regulator
	0FW80WL5	2							[L5]
	0FW80XDV	2							[DV]
5	0FW80XDV	2							SCREW, (NOT SERVICED),

LIBERTY (KJ)

SERIES	LINE
P = Limited	J = LHD (4WD)
H = Sport	U = RHD (4WD)
M = Renegade	T = LHD (2WD)

BODY
74 = 4 Door (104.3 WB)

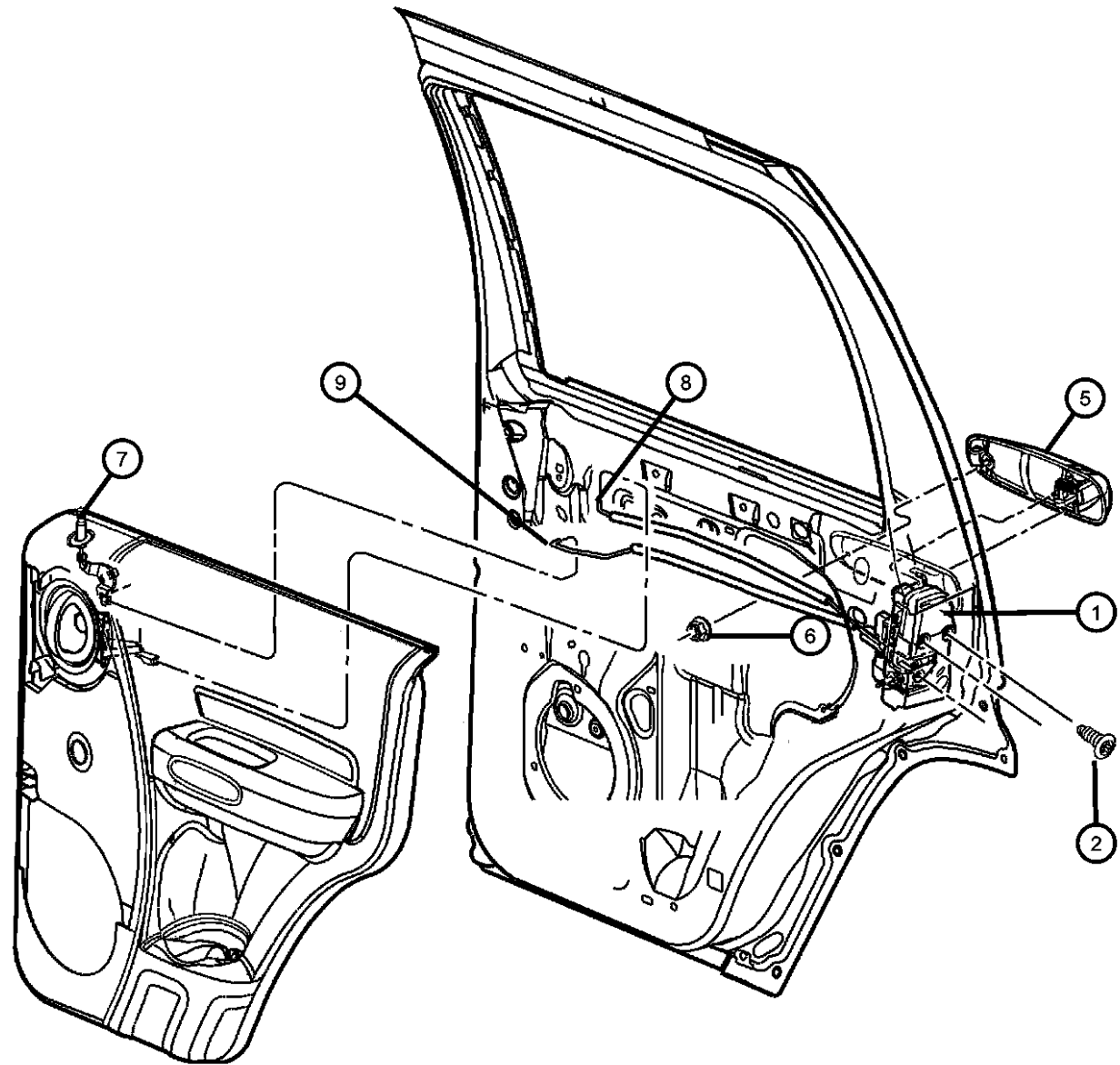
ENGINE
ED1 = Engine - 2.4L 4 Cyl DOHC 16v SMPI
EKG = Engine - 3.7L V6
ENJ = Engine -2.5L 4 Cyl 16V Turbo Diesel
ENR = Engine - 2.8L 4 Cyl Turbo Diesel
ENO = 4Cyl Turbo Diesel
EKO = All 3.7L
EDO = All 2.4L

TRANSMISSION
DDD = Transmission - 5-Speed HD Manual
DDK = Transmission - 5-Speed HD Manual
DG4 = Transmission-Multi-Speed Auto, 45RFE
DG6 = Transmission-4-Spd. Automatic, 42RLE
DGQ = Transmission-5-Spd Automatic 5-45RFE
DBB = All Manual Transmissions
DG0 = All Automatic Transmissions

AR = use ase required - = Non illustrated part

2004 KJ

**Door, Rear, Lock and Controls
Figure DKJ-230**



ITEM	PART NUMBER	QTY	LINE	SERIES	BODY	ENGINE	TRANS	TRIM	DESCRIPTION
Note: Sales Codes [JPB]- Power Locks									
1									LATCH, Rear Door
	55177044AG	1							[JPB,JPH] [Up To 1-13-04], Right
	55177044AH	1							[JPB,JPH] [After 1-13-04], Right
	55177045AG	1							[JPB,JPH] [Up To 1-21-04], Left
	55177045AH	1							[JPB,JPH] [After 1-21-04], Left
	55177046AG	1							Without [JPB,JPH], Right
	55177047AG	1							Without [JPB,JPH], Left
2	06033876	6							SCREW, Tapping, M6.3x1.8x38.1
-3	04780607AA	2							STRIKER, Door
-4	04520289	AR							SPACER, Door Latch Striker
5									HANDLE, Exterior Door
	55360334AF	1							Right
	55360335AF	1							Left
6	06503226	2							NUT, Hex Flange, M5x.8
7									KNOB, Door Lock
	55360464AB	1							Right
	55360465AB	1							Left
8									ROD, Inside Handle to Latch
	05072356AA	1							Right
	05072357AA	1							Left
9									ROD, Inside Lock to Latch
	05072360AB	1							Right
	05072361AB	1							Left
-10									LINK, Exterior Door Handle, 05072358ab-9
	05072358AB	1							Right
	05072359AB	1							Left
-11									COVER, Latch-Anti Theft

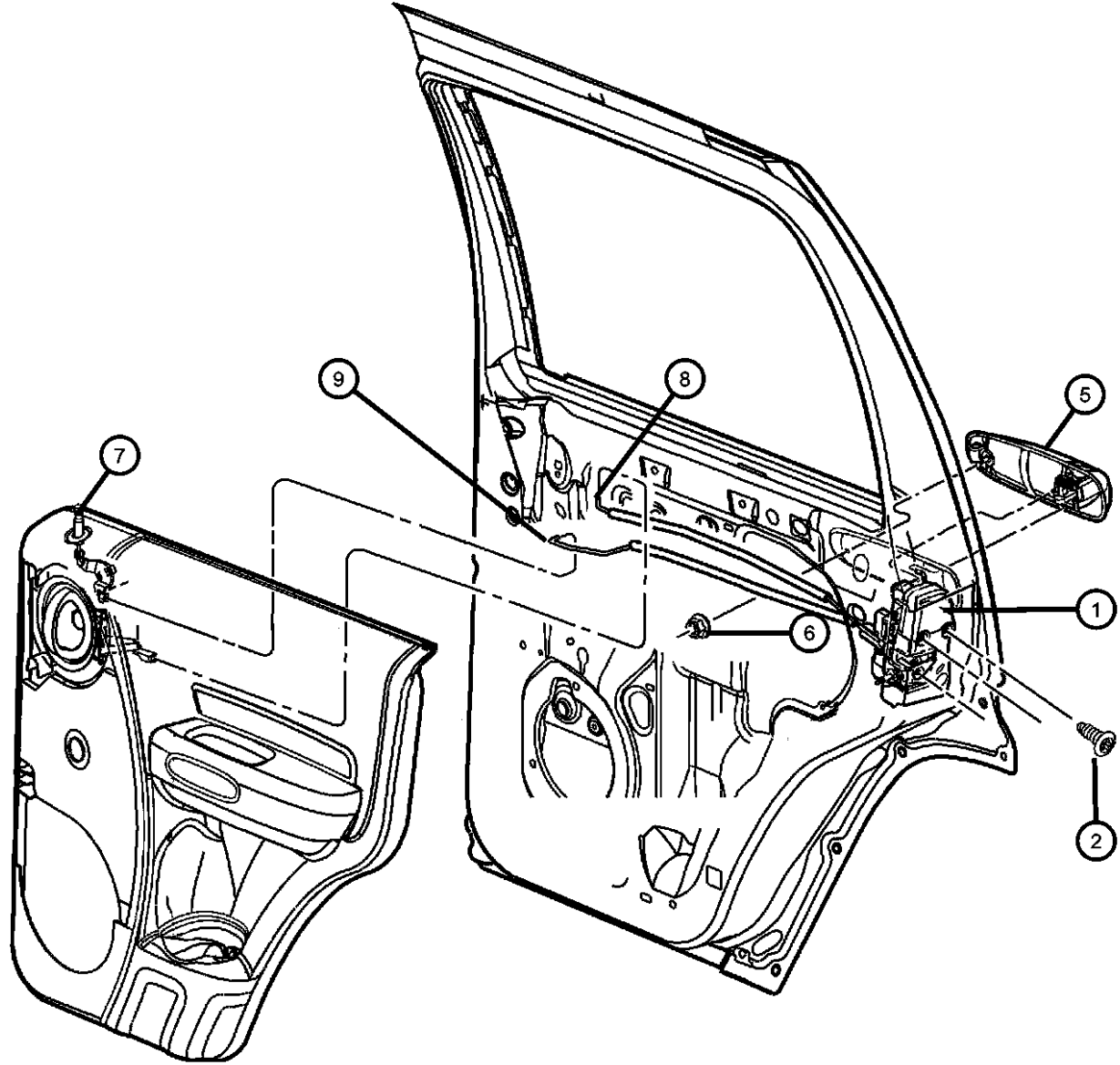
LIBERTY (KJ)

SERIES	LINE	BODY	ENGINE	TRANSMISSION
P = Limited	J = LHD (4WD)	74 = 4 Door (104.3 WB)	ED1 = Engine - 2.4L 4 Cyl DOHC 16v SMPI	DDD = Transmission - 5-Speed HD Manual
H = Sport	U = RHD (4WD)		EKG = Engine - 3.7L V6	DDK = Transmission - 5-Speed HD Manual
M = Renegade	T = LHD (2WD)		ENJ = Engine -2.5L 4 Cyl 16V Turbo Diesel	DG4 = Transmission-Multi-Speed Auto, 45RFE
			ENR = Engine - 2.8L 4 Cyl Turbo Diesel	DG6 = Transmission-4-Spd. Automatic, 42RLE
			ENO = 4Cyl Turbo Diesel	DGQ = Transmission-5-Spd Automatic 5-45RFE
			EKO = All 3.7L	DBB = All Manual Transmissions
			EDO = All 2.4L	DG0 = All Automatic Transmissions

AR = use ase required - = Non illustrated part

Door, Rear, Lock and Controls
Figure DKJ-230

ITEM	PART NUMBER	QTY	LINE	SERIES	BODY	ENGINE	TRANS	TRIM	DESCRIPTION
	05014395AA	1							Right
	05014396AA	1							Left



LIBERTY (KJ)

SERIES

P = Limited
H = Sport
M = Renegade

LINE

J = LHD (4WD)
U = RHD (4WD)
T = LHD (2WD)

BODY

74 = 4 Door (104.3 WB)

ENGINE

ED1 = Engine - 2.4L 4 Cyl
DOHC 16v SMPI
EKG = Engine - 3.7L V6
ENJ = Engine -2.5L 4 Cyl 16V
Turbo Diesel
ENR = Engine - 2.8L 4 Cyl
Turbo Diesel
ENO = 4Cyl Turbo Diesel
EKO = All 3.7L
EDO = All 2.4L

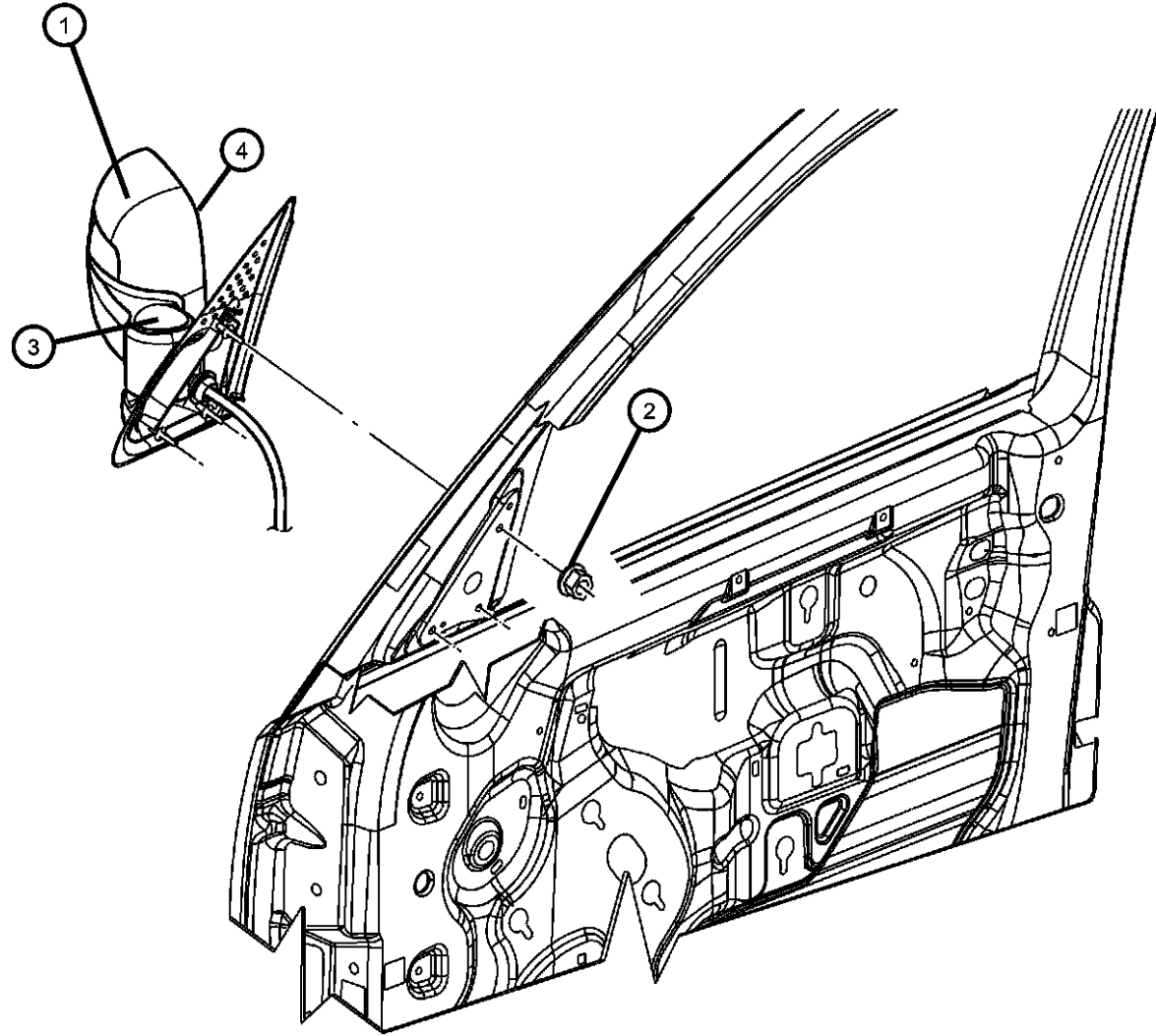
TRANSMISSION

DDD = Transmission - 5-Speed HD
Manual
DDK = Transmission - 5-Speed HD
Manual
DG4 = Transmission-Multi-Speed
Auto, 45RFE
DG6 = Transmission-4-Spd.
Automatic, 42RLE
DGQ = Transmission-5-Spd Automatic
5-45RFE
DBB = All Manual Transmissions
DG0 = All Automatic Transmissions

AR = use ase required - = Non illustrated part

2004 KJ

Mirrors, Exterior
Figure DKJ-510



ITEM	PART NUMBER	QTY	LINE	SERIES	BODY	ENGINE	TRANS	TRIM	DESCRIPTION
Note; Sales Codes [GT9] = Mirrors - Power Heated Memory F/Away [GTB] = Mirrors - Power Heated [GTJ] = Mirrors - Power [GTP] = Mirrors - Manual - Fold Away [GPF] = Mirrors - Manual - Fold Away Black									
1									MIRROR, Outside Rearview
	55155836AE	1	J, T						[GTP], Right
	55155837AE	1	J, T						[GTP], Left
	55155839AE	1	J, T						[GTB], Right
	55155843AF	1	J, T						[GTS,GTB], Left
	55155846AE	1	U						[GTJ], Right
	55155847AE	1	U						[GTJ], Left
	55155840AE	1	J, T						[GT9], Right
	55155841AE	1	J, T						[GT9], Left
	55155842AF	1	J, T						[GTS,GUW], Right
	55155848AE	1	U						[GPF], Right
	55155849AE	1	U						[GPF], Left
	55156411AD	1							[GUW], Left
2	06504047	6							NUT AND WASHER, Hex, M5x.80
3									COVER, Mirror Flag
	05086298AA	1	J, T						Right
	05086299AA	1	J, T						Left
		1	U						Right
		1	U						Left
4									GLASS, Mirror Replacement
	05083983AA	1	J, T						[GTP], Left
	05083982AA	1	J, T						[GTP], Right
	05083991AA	1	U						[GTJ], Left
	05134236AA	1							[GTS,GTB], Right
	05083984AA	1	U						[GPF], Right
	05083985AA	1	U						[GPF], Left

LIBERTY (KJ)

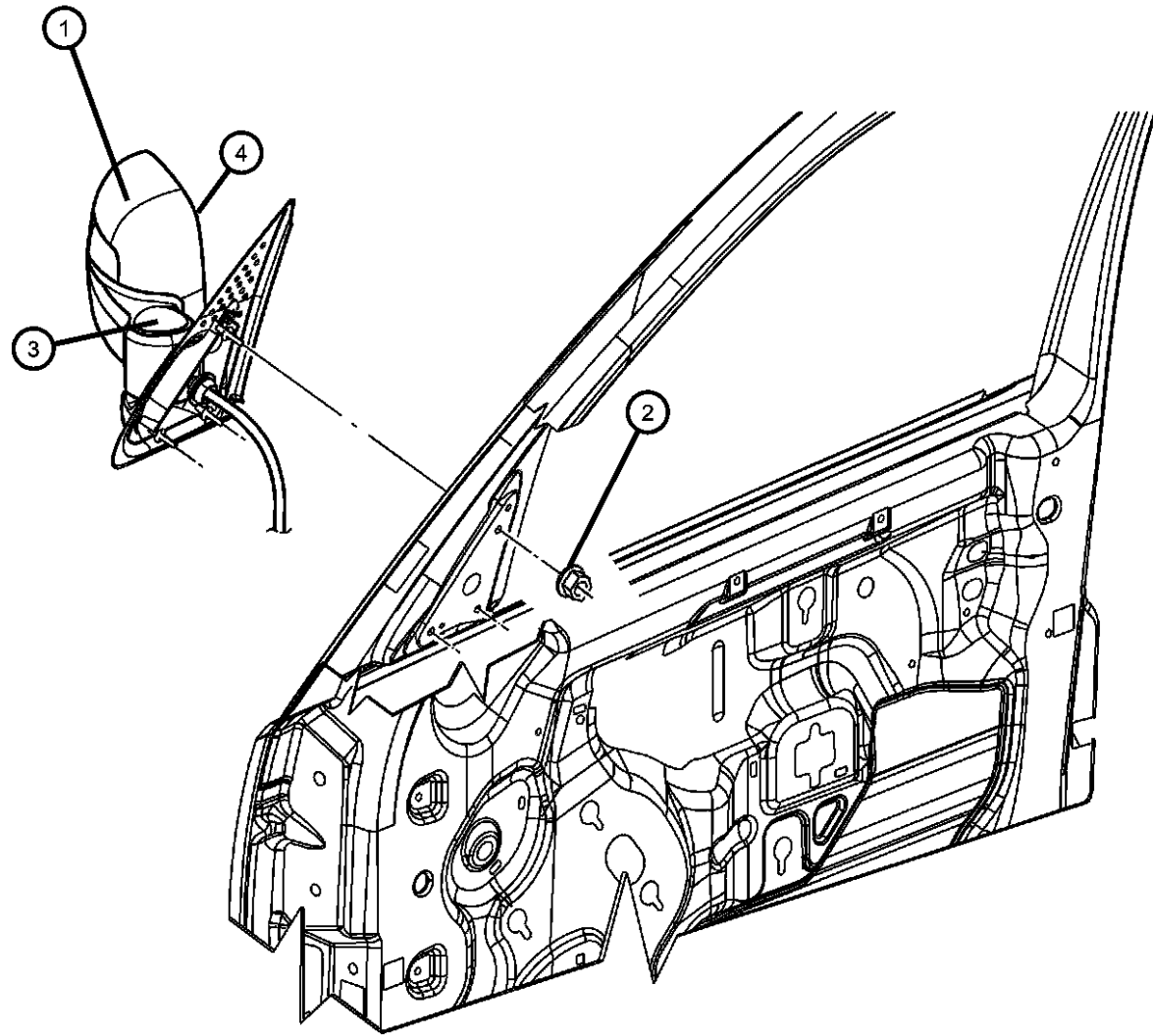
SERIES	LINE	BODY	ENGINE	TRANSMISSION
P = Limited	J = LHD (4WD)	74 = 4 Door (104.3 WB)	ED1 = Engine - 2.4L 4 Cyl DOHC 16v SMPI	DDD = Transmission - 5-Speed HD Manual
H = Sport	U = RHD (4WD)		EKG = Engine - 3.7L V6	DDK = Transmission - 5-Speed HD Manual
M = Renegade	T = LHD (2WD)		ENJ = Engine -2.5L 4 Cyl 16v Turbo Diesel	DG4 = Transmission-Multi-Speed Auto, 45RFE
			ENR = Engine - 2.8L 4 Cyl Turbo Diesel	DG6 = Transmission-4-Spd. Automatic, 42RLE
			ENO = 4Cyl Turbo Diesel	DGQ = Transmission-5-Spd Automatic 5-45RFE
			EK0 = All 3.7L	DBB = All Manual Transmissions
			ED0 = All 2.4L	DG0 = All Automatic Transmissions

AR = use ase required - = Non illustrated part

2004 KJ

Mirrors, Exterior
Figure DKJ-510

ITEM	PART NUMBER	QTY	LINE	SERIES	BODY	ENGINE	TRANS	TRIM	DESCRIPTION
	05083986AA	1	J, T						[GTB], Right
	05083990AA	1	U						[GTJ], Right
	05134237AA	1	J, T						[GTS,GTB], Left
	05134238AA	1	J, T						[GT9], Right
	05134239AA	1	J, T						[GT9], Left



LIBERTY (KJ)

SERIES

P = Limited
H = Sport
M = Renegade

LINE

J = LHD (4WD)
U = RHD (4WD)
T = LHD (2WD)

BODY

74 = 4 Door (104.3 WB)

ENGINE

ED1 = Engine - 2.4L 4 Cyl
DOHC 16v SMPI
EKG = Engine - 3.7L V6
ENJ = Engine -2.5L 4 Cyl 16V
Turbo Diesel
ENR = Engine - 2.8L 4 Cyl
Turbo Diesel
ENO = 4Cyl Turbo Diesel
EKO = All 3.7L
EDO = All 2.4L

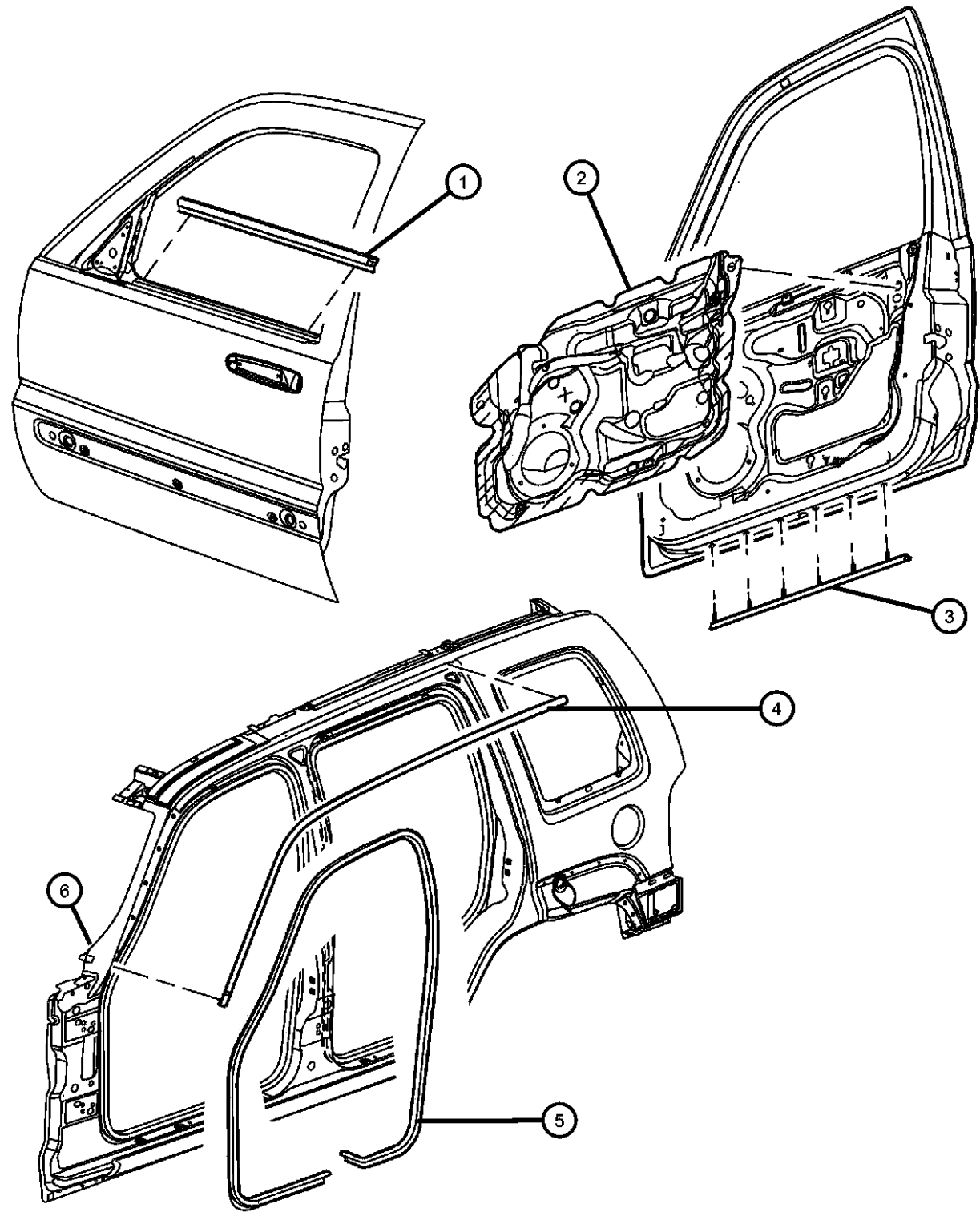
TRANSMISSION

DDD = Transmission - 5-Speed HD
Manual
DDK = Transmission - 5-Speed HD
Manual
DG4 = Transmission-Multi-Speed
Auto, 45RFE
DG6 = Transmission-4-Spd.
Automatic, 42RLE
DGQ = Transmission-5-Spd Automatic
5-45RFE
DBB = All Manual Transmissions
DG0 = All Automatic Transmissions

AR = use ase required - = Non illustrated part

2004 KJ

Door, Front
Figure DKJ-610



ITEM	PART NUMBER	QTY	LINE	SERIES	BODY	ENGINE	TRANS	TRIM	DESCRIPTION
1	55360642AA	1							WEATHERSTRIP, Door Belt Right
	55360643AA	1							Left
2	55235892AG	1							WATERDAM, Front Door Right
	55235893AG	1							Left
3	55360663AA	2							SEAL, Rocker
4	55235918AI	1							SEAL, Door Right
	55235919AI	1							Left
5	5GU15XXXAH	2							WEATHERSEAL, Full Door To Body
6	55360542AD	1							SEAL, A-Pillar Blocker, Body Mounted Right
	55360543AD	1							Left
-7	55360256AC	2							SEAL, A-Pillar, Door Mounted

LIBERTY (KJ)

SERIES

P = Limited
H = Sport
M = Renegade

LINE

J = LHD (4WD)
U = RHD (4WD)
T = LHD (2WD)

BODY

74 = 4 Door (104.3 WB)

ENGINE

ED1 = Engine - 2.4L 4 Cyl
DOHC 16v SMPI
EKG = Engine - 3.7L V6
ENJ = Engine -2.5L 4 Cyl 16V
Turbo Diesel
ENR = Engine - 2.8L 4 Cyl
Turbo Diesel
ENO = 4Cyl Turbo Diesel
EKO = All 3.7L
EDO = All 2.4L

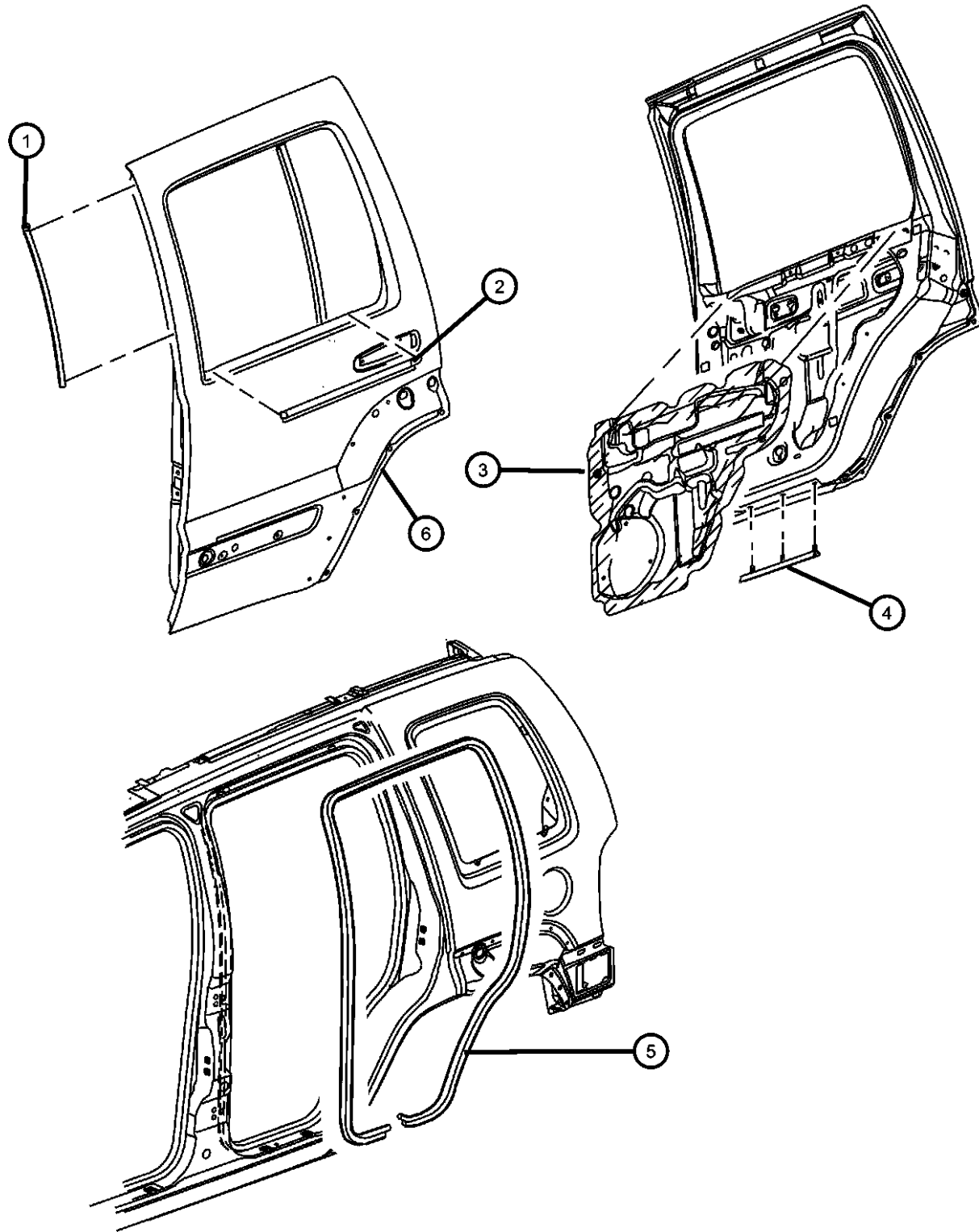
TRANSMISSION

DDD = Transmission - 5-Speed HD
Manual
DDK = Transmission - 5-Speed HD
Manual
DG4 = Transmission-Multi-Speed
Auto, 45RFE
DG6 = Transmission-4-Spd.
Automatic, 42RLE
DGQ = Transmission-5-Spd Automatic
5-45RFE
DBB = All Manual Transmissions
DG0 = All Automatic Transmissions

AR = use ase required - = Non illustrated part

2004 KJ

**Door, Rear
Figure DKJ-620**



ITEM	PART NUMBER	QTY	LINE	SERIES	BODY	ENGINE	TRANS	TRIM	DESCRIPTION
1	55235880AB	2							WEATHERSTRIP, B Pillar Secondary
2	55360644AC	1							WEATHERSTRIP, Belt Right
	55360645AC	1							Left
3	55235894AH	1							WATERDAM, Rear Door Right
	55235895AH	1							Left
4	55360664AA	2							SEAL, Rocker
5	5GU13XXXAH	1							WEATHERSEAL, Full Door To Body Left
	5JD42XXXAF	1							Right
6	55360254AA	1							SEAL, Moulding

LIBERTY (KJ)

SERIES	LINE
P = Limited	J = LHD (4WD)
H = Sport	U = RHD (4WD)
M = Renegade	T = LHD (2WD)

BODY
74 = 4 Door (104.3 WB)

ENGINE
ED1 = Engine - 2.4L 4 Cyl
DOHC 16v SMPI
EKG = Engine - 3.7L V6
ENJ = Engine -2.5L 4 Cyl 16V
Turbo Diesel
ENR = Engine - 2.8L 4 Cyl
Turbo Diesel
ENO = 4Cyl Turbo Diesel
EKO = All 3.7L
EDO = All 2.4L

TRANSMISSION
DDD = Transmission - 5-Speed HD
Manual
DDK = Transmission - 5-Speed HD
Manual
DG4 = Transmission-Multi-Speed
Auto, 45RFE
DG6 = Transmission-4-Spd.
Automatic, 42RLE
DGQ = Transmission-5-Spd Automatic
5-45RFE
DBB = All Manual Transmissions
DG0 = All Automatic Transmissions

AR = use ase required - = Non illustrated part

2004 KJ

Group - EKJ

Exterior Ornamentation

Group - EKJ Exterior Ornamentation

Group-Fig. No.

Illustration Title

Nameplates

Nameplates Fig. EKJ - 110

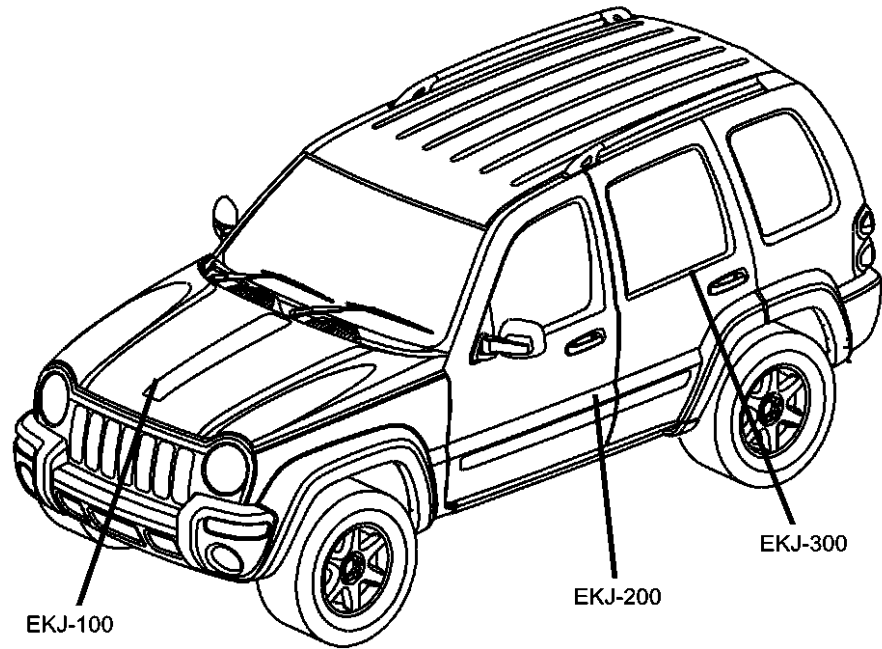
Moldings and Ornamentation


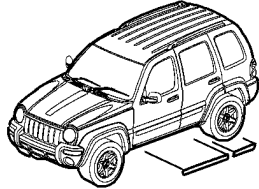

Moldings, Body Side Fig. EKJ - 210

Side Rails, Tubular [MRK] Fig. EKJ - 220

Decals and Tapestripes

Decals Fig. EKJ - 310

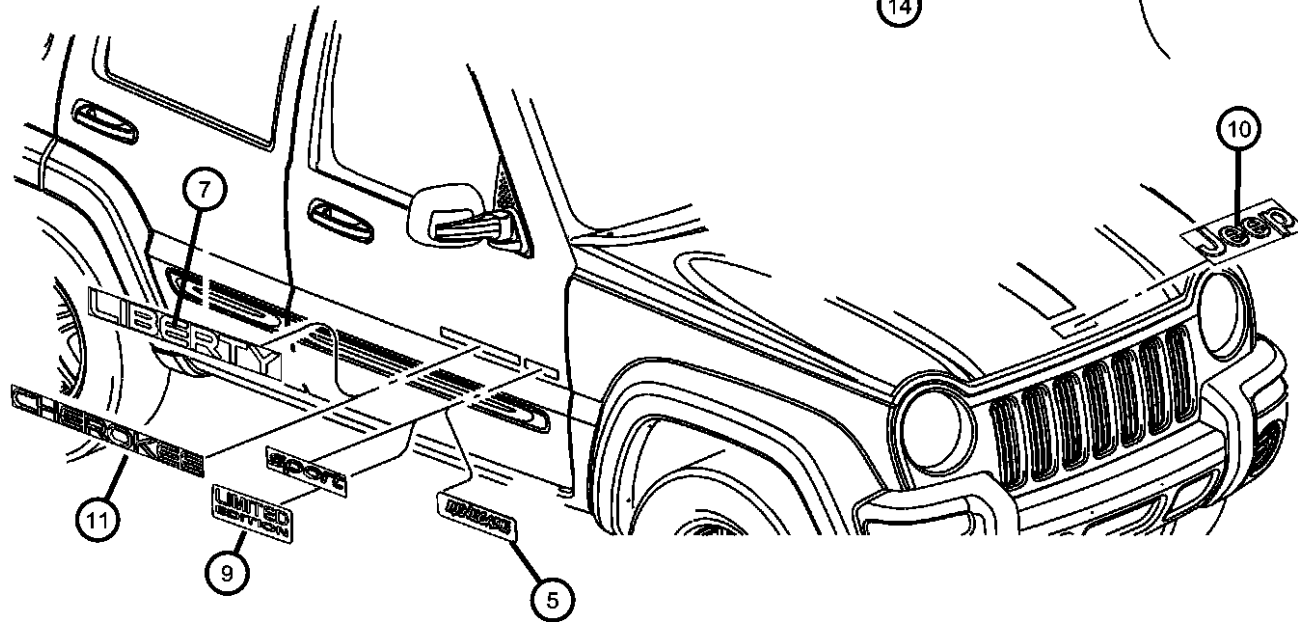
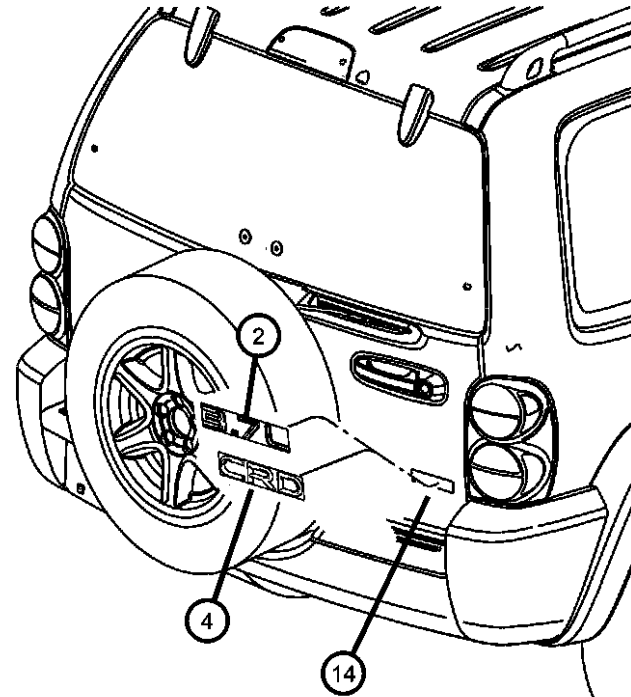
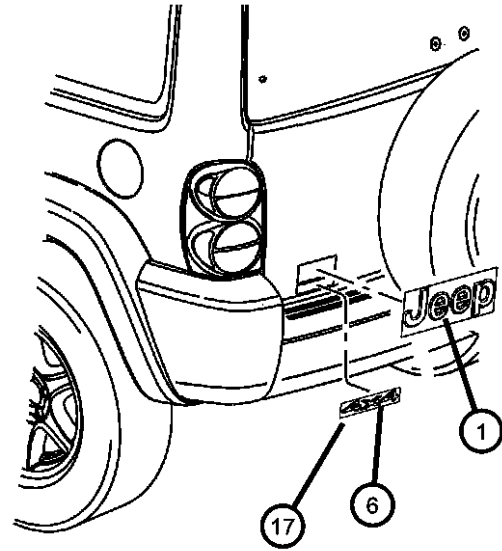


<p>EKJ-100 Nameplates</p> 	<p>EKJ-200 Moldings and Ornamentation</p> 	<p>EKJ-300 Decals and Tapestripes</p> 	
--	--	--	--

Nameplates
Figure EKJ-110

ITEM	PART NUMBER	QTY	LINE	SERIES	BODY	ENGINE	TRANS	TRIM	DESCRIPTION
------	-------------	-----	------	--------	------	--------	-------	------	-------------

Note; Sales Codes
[MZR]= Common Rail Diesel



1	55156554AE	1							DECAL, JEEP, [MVC]
2	55156275AF	1							DECAL, 3.7L, [MZL]
-3	5JN17CA1AB	1							NAMEPLATE, 3.7L, [KFS]
4									NAMEPLATE, CRD [MZR], Bright Chrome Finish Dull Finish
	55156405AD	1							
	5JN01CA1AA	1							
5	52112057AA	2							DIMENSIONAL GRAPHIC, Renegade, [MZ2]
6	5JN16CA1AB	1	J, U						NAMEPLATE, 4X4, [KRS]
7	5JN11CA1AB	2							NAMEPLATE, Liberty, [KLS]
-8	55156604AD	2							DECAL, Liberty, [MZ3]
9	55156605AA	2							DECAL, Limited Edition, [MZ2]
10	55156554AE	1							DECAL, JEEP, [MVC]
11	55156272AG	2							DECAL, Cherokee, [MZC]
-12	04399791	2							REFLECTOR, Fascia
-13	52112057AA	2							DIMENSIONAL GRAPHIC, Freedom Edition
14	55156043AB	2							DIMENSIONAL GRAPHIC, Limited, [MSU]
-15	55157305AA	2							DIMENSIONAL GRAPHIC, Extreme Sport, [MV5]
-16	55157099AA	2							NAMEPLATE, Columbia Edition, [MTS]
17	55156555AE	1	J, U						DECAL, 4x4, [MVD]
-18	55157022AB	2							DIMENSIONAL GRAPHIC, Rocky Mountain

LIBERTY (KJ)

SERIES

P = Limited
H = Sport
M = Renegade

LINE

J = LHD (4WD)
U = RHD (4WD)
T = LHD (2WD)

BODY

74 = 4 Door (104.3 WB)

ENGINE

ED1 = Engine - 2.4L 4 Cyl
DOHC 16v SMPI
EKG = Engine - 3.7L V6
ENJ = Engine -2.5L 4 Cyl 16V
Turbo Diesel
ENR = Engine - 2.8L 4 Cyl
Turbo Diesel
ENO = 4Cyl Turbo Diesel
EKO = All 3.7L
EDO = All 2.4L

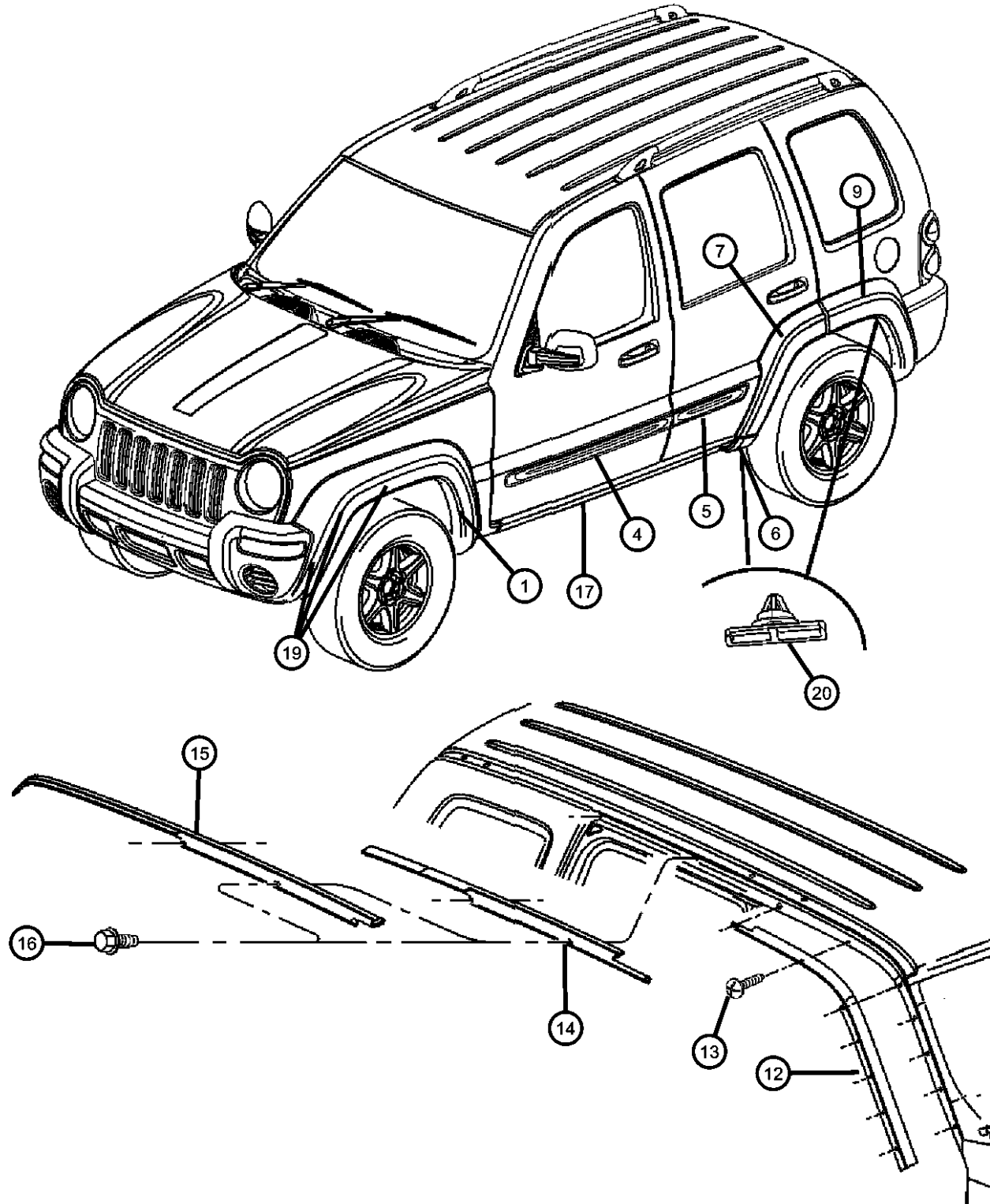
TRANSMISSION

DDD = Transmission - 5-Speed HD
Manual
DDK = Transmission - 5-Speed HD
Manual
DG4 = Transmission-Multi-Speed
Auto, 45RFE
DG6 = Transmission-4-Spd.
Automatic, 42RLE
DGQ = Transmission-5-Spd Automatic
5-45RFE
DBB = All Manual Transmissions
DG0 = All Automatic Transmissions

AR = use ase required - = Non illustrated part

2004 KJ

Moldings, Body Side
Figure EKJ-210



ITEM	PART NUMBER	QTY	LINE	SERIES	BODY	ENGINE	TRANS	TRIM	DESCRIPTION
------	-------------	-----	------	--------	------	--------	-------	------	-------------

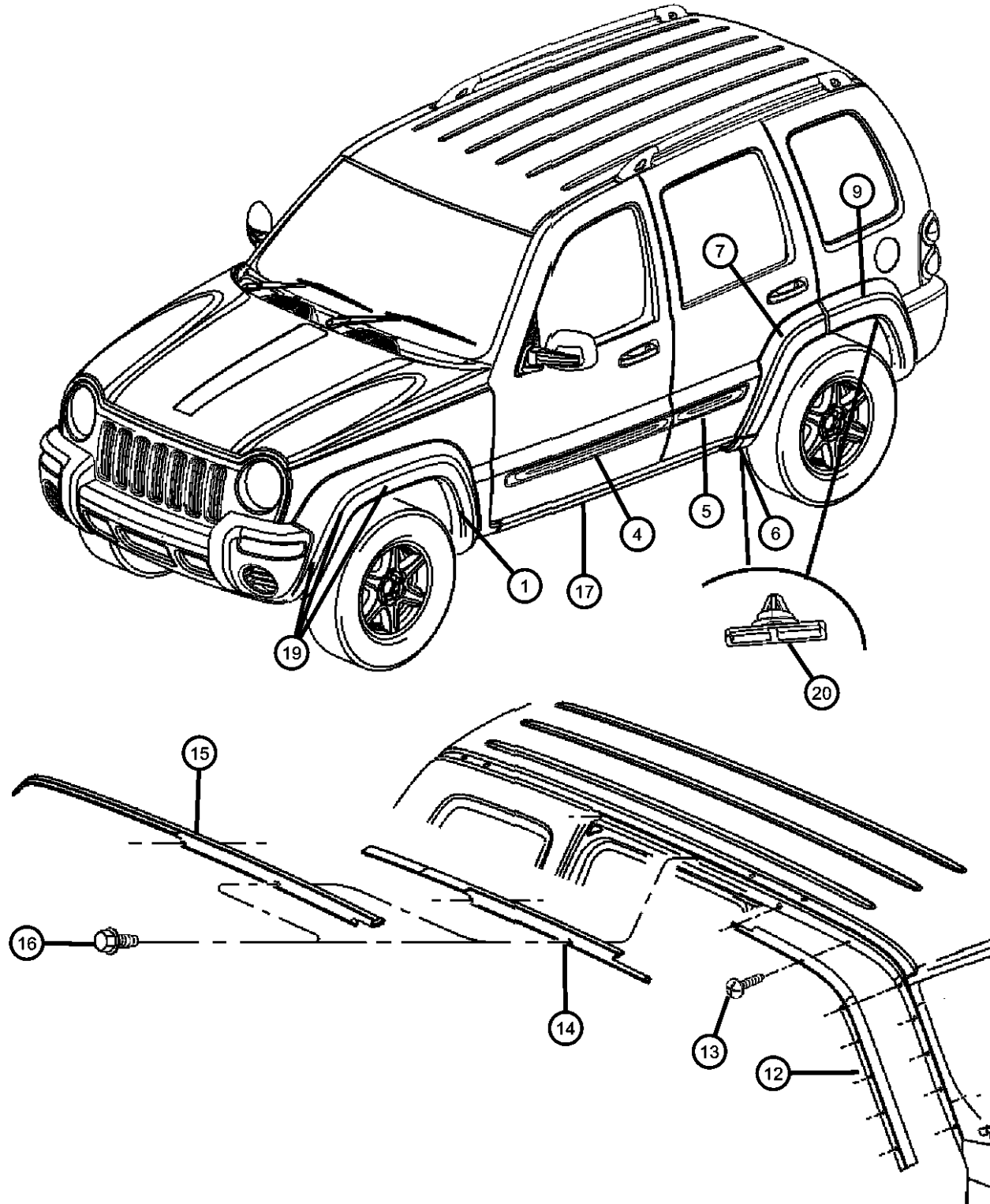
NOTE
Sales Code :
[MWE] = Side Roof Rails
Sales Code : [MRK] = Side Step
Sales Code : [APA] = Australia Equipment Group

1									APPLIQUE, Fender Wheel Opening
	5GG96HS5AG	1		H					[K3A], Right
	5GG97HS5AG	1		H					[K3A], Left
	5GH00AG-WAF	1		P					[K5G], Right
	5GH00AJCAF	1		P					[K5K], Right
	5GH00BR8AF	1		P					[K5H], Right
	5GH00WB7AF	1		P					[K5B], Right
	5GH00WS2AF	1		P					[K5S], Right
	5GH00ZBJAF	1		P					[K5D], Right
	5GH01AG-WAF	1		P					[K5G], Left
	5GH01AJCAF	1		P					[K5K], Left
	5GH01BR8AF	1		P					[K5H], Left
	5GH01DX8AF	1		P					[K5X], Left
	5GH01PR4AF	1		P					[K5R], Left
	5GH01SW1AF	1		P					[K5W], Left
	5GH00DX8AF	1		P					[K5X], Right
	5GH00PR4AF	1		P					[K5R], Right
	5GH00SW1AF	1		P					[K5W], Right
	5GH01ZBJAF	1		P					[K5D], Left
	5HV45AF-MAD	1							[K4C], Left
	5HV45AJCAD	1							[K4K], Left
	5HV45DX8AD	1							[K4X], Left
	5HV45WS2AD	1							[K4S], Left
	5HV46AF-MAD	1							[K4C], Right

LIBERTY (KJ)	SERIES	LINE	BODY	ENGINE	TRANSMISSION
P = Limited	J = LHD (4WD)		74 = 4 Door (104.3 WB)	ED1 = Engine - 2.4L 4 Cyl DOHC 16v SMPI	DDD = Transmission - 5-Speed HD Manual
H = Sport	U = RHD (4WD)			EKG = Engine - 3.7L V6	DDK = Transmission - 5-Speed HD Manual
M = Renegade	T = LHD (2WD)			ENJ = Engine - 2.5L 4 Cyl 16v Turbo Diesel	DG4 = Transmission-Multi-Speed Auto, 45RFE
				ENR = Engine - 2.8L 4 Cyl Turbo Diesel	DG6 = Transmission-4-Spd. Automatic, 42RLE
				ENO = 4Cyl Turbo Diesel	DGQ = Transmission-5-Spd Automatic 5-45RFE
				EK0 = All 3.7L	DBB = All Manual Transmissions
				ED0 = All 2.4L	DG0 = All Automatic Transmissions

AR = use ase required - = Non illustrated part

Moldings, Body Side
Figure EKJ-210



ITEM	PART NUMBER	QTY	LINE	SERIES	BODY	ENGINE	TRANS	TRIM	DESCRIPTION
	5HV46AJCAD	1							[K4K], Right
	5HV46DX8AD	1							[K4X], Right
	5HV46WS2AD	1							[K4S], Right
	5GH01WB7AF	1		P					[K5B], Left
	5GH01WS2AF	1		P					[K5S], Left
-2	55156429AA	3							RETAINER, Applique
-3	55156447AA	11							PIN, Push
4									MOLDING, Front Door
	5GF34HS5AB	1		H					[K1A], Right
	5GF34RXFAB	1		M					[K1F], Right
	5GF35HS5AB	1		H					[K1A], Left
	5GF35RXFAB	1		M					[K1F], Left
	5GF54AG-WAB	1		P					[K2G], Right
	5GF54AJCAB	1		P					[K2K], Right
	5GF54BR8AB	1		P					[K2H], Right
	5GF54DX8AB	1		P					[K2X], Right
	5GF54PR4AB	1		P					[K2R], Right
	5GF54SW1AB	1		P					[K2W], Right
	5GF54WB7AB	1		P					[K2B], Right
	5GF54WS2AB	1		P					[K2S], Right
	5GF54ZBJAB	1		P					[K2D], Right
	5GF54ZDRAB	1							[K7J], Right
	5GF55AG-WAB	1		P					[K2G], Left
	5GF55AJCAB	1		P					[K2K], Left
	5GF55BR8AB	1		P					[K2H], Left
	5GF55DX8AB	1		P					[K2X], Left
	5GF55PR4AB	1		P					[K2R], Left
	5GF55SW1AB	1		P					[K2W], Left
	5GF55WB7AB	1		P					[K2B], Left

LIBERTY (KJ)

SERIES

P = Limited
H = Sport
M = Renegade

LINE

J = LHD (4WD)
U = RHD (4WD)
T = LHD (2WD)

BODY

74 = 4 Door (104.3 WB)

ENGINE

ED1 = Engine - 2.4L 4 Cyl
DOHC 16v SMPI
EKG = Engine - 3.7L V6
ENJ = Engine -2.5L 4 Cyl 16V
Turbo Diesel
ENR = Engine - 2.8L 4 Cyl
Turbo Diesel
ENO = 4Cyl Turbo Diesel
EKO = All 3.7L
EDO = All 2.4L

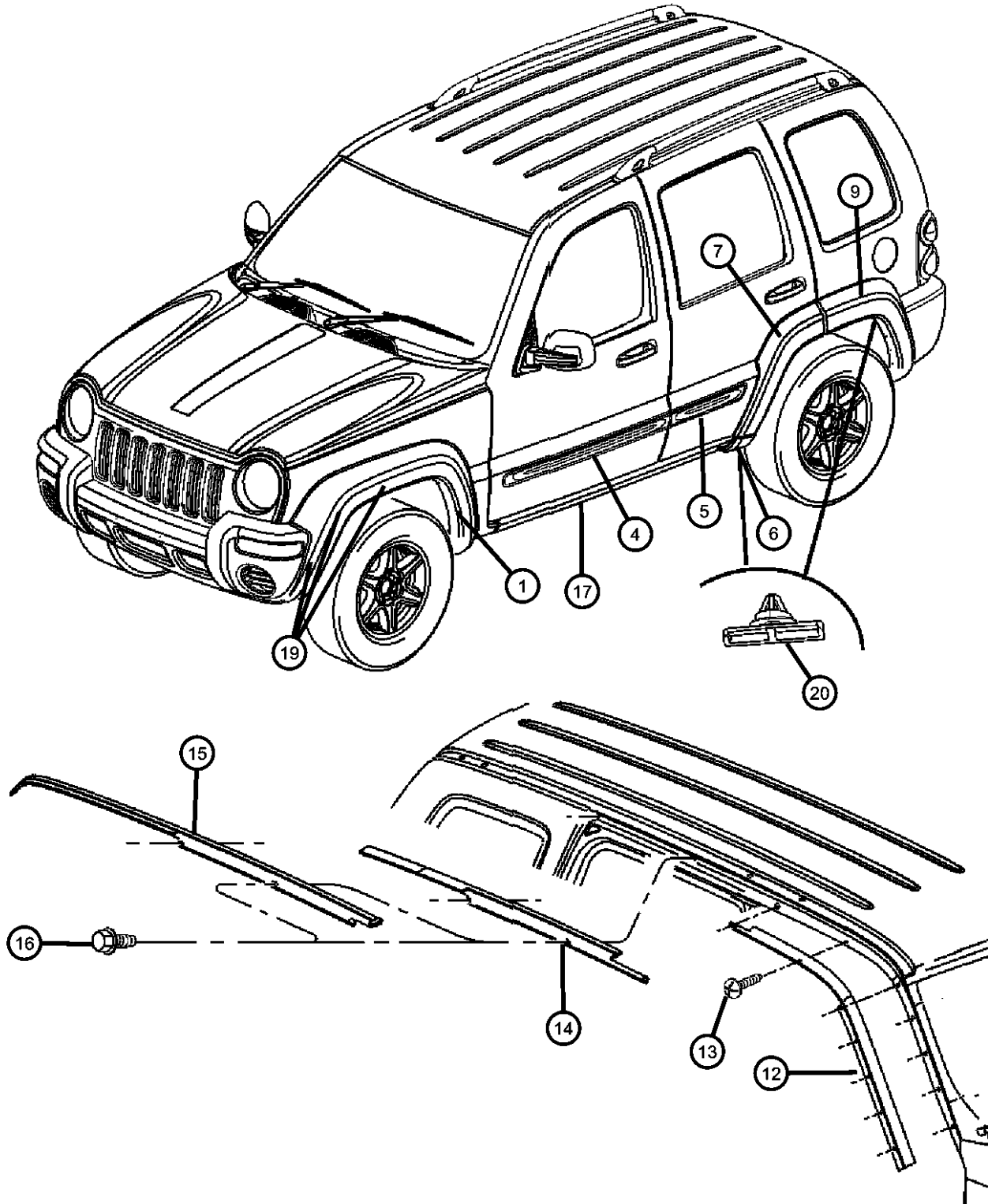
TRANSMISSION

DDD = Transmission - 5-Speed HD
Manual
DDK = Transmission - 5-Speed HD
Manual
DG4 = Transmission-Multi-Speed
Auto, 45RFE
DG6 = Transmission-4-Spd.
Automatic, 42RLE
DGQ = Transmission-5-Spd Automatic
5-45RFE
DBB = All Manual Transmissions
DG0 = All Automatic Transmissions

AR = use ase required - = Non illustrated part

2004 KJ

Moldings, Body Side
Figure EKJ-210

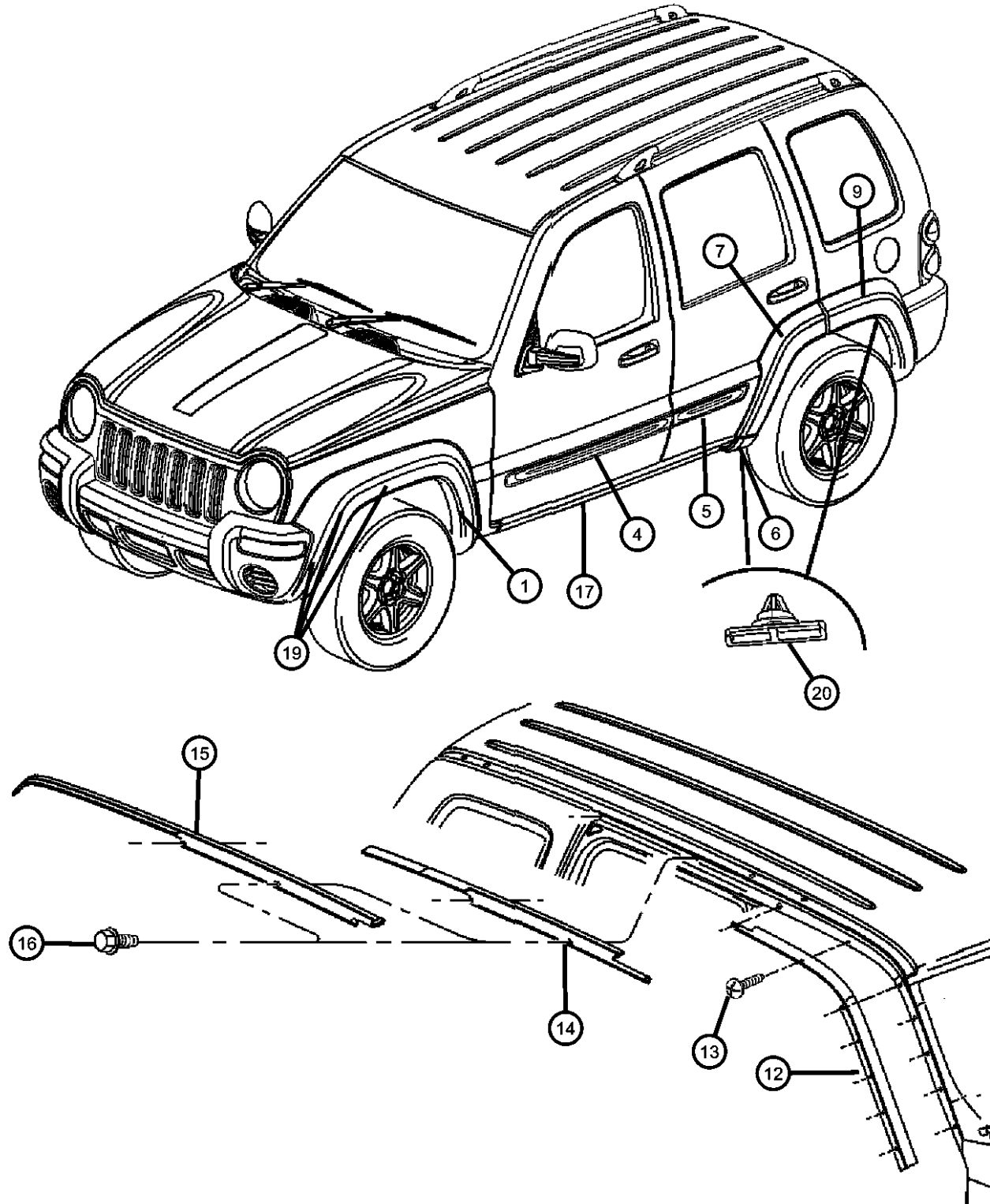


ITEM	PART NUMBER	QTY	LINE	SERIES	BODY	ENGINE	TRANS	TRIM	DESCRIPTION
	5GF55WS2AB	1		P					[K2S], Left
	5GF55ZBJAB	1		P					[K2D], Left
5	5GF30HS5AC	1		H					MOLDING, Rear Door
	5GF30RXFAC	1		M					[K1F], Right
	5GF31HS5AC	1		H					[K1A], Left
	5GF31RXFAC	1		M					[K1F], Left
	5GF38AG-WAC	1		P					[K2G], Right
	5GF38AJCAC	1		P					[K2K], Right
	5GF38BR8AC	1		P					[K2H], Right
	5GF38DX8AC	1		P					[K2X], Right
	5GF38PR4AC	1		P					[K2R], Right
	5GF38SW1AC	1		P					[K2W], Right
	5GF38WB7AC	1		P					[K2B], Right
	5GF38WS2AC	1		P					[K2S], Right
	5GF38ZBJAC	1		P					[K2D], Right
	5GF38ZDRAC	1							[K7J], Right
	5GF39AG-WAC	1		P					[K2G], Left
	5GF39AJCAC	1		P					[K2K], Left
	5GF39BR8AC	1		P					[K2H], Left
	5GF39DX8AC	1		P					[K2X], Left
	5GF39PR4AC	1		P					[K2R], Left
	5GF39SW1AC	1		P					[K2W], Left
	5GF39WB7AC	1		P					[K2B], Left
	5GF39WS2AC	1		P					[K2S], Left
	5GF39ZBJAC	1		P					[K2D], Left
	5GF39ZDRAC	1							[K7J], Left
6	5GK86HS5AD	1		H					APPLIQUE, Sill
									[K3A], Right

LIBERTY (KJ)				
SERIES	LINE	BODY	ENGINE	TRANSMISSION
P = Limited	J = LHD (4WD)	74 = 4 Door (104.3 WB)	ED1 = Engine - 2.4L 4 Cyl DOHC 16v SMPI	DDD = Transmission - 5-Speed HD Manual
H = Sport	U = RHD (4WD)		EKG = Engine - 3.7L V6	DDK = Transmission - 5-Speed HD Manual
M = Renegade	T = LHD (2WD)		ENJ = Engine - 2.5L 4 Cyl 16v Turbo Diesel	DG4 = Transmission-Multi-Speed Auto, 45RFE
			ENR = Engine - 2.8L 4 Cyl Turbo Diesel	DG6 = Transmission-4-Spd. Automatic, 42RLE
			ENO = 4Cyl Turbo Diesel	DGQ = Transmission-5-Spd Automatic 5-45RFE
			EK0 = All 3.7L	DBB = All Manual Transmissions
			ED0 = All 2.4L	DG0 = All Automatic Transmissions

AR = use ase required - = Non illustrated part

Moldings, Body Side
Figure EKJ-210



ITEM	PART NUMBER	QTY	LINE	SERIES	BODY	ENGINE	TRANS	TRIM	DESCRIPTION
	5GK86XXXAD	1							[AYG], Right
		1							[ALS], Right
		1		P					Right
		1							[AER], Right
	5GK87HS5AD	1		H					[K3A], Left
	5GK87XXXAD	1							[AYG], Left
		1							[ALS], Left
		1		P					Left
		1							[AER], Left
	5HV51AF-MAD	1							[K4C], Left
	5HV51AJCAD	1							[K4K], Left
	5HV51DX8AD	1							[K4X], Left
	5HV51WS2AD	1							[K4S], Left
	5HV52AF-MAD	1							[K4C], Right
	5HV52AJCAD	1							[K4K], Right
	5HV52DX8AD	1							[K4X], Right
	5HV52WS2AD	1							[K4S], Right
7									APPLIQUE, Rear Door
	5GF32AG-WAF	1		P					[K5G], Right
	5GF32AJCAF	1		P					[K5K], Right
	5GF32BR8AF	1		P					[K5H], Right
	5GF32PR4AF	1		P					[K5R], Right
	5GF32SW1AF	1		P					[K5W], Right
	5GF32WB7AF	1		P					[K5B], Right
	5GF32WS2AF	1		P					[K5S], Right
	5GF32ZBJAF	1		P					[K5D], Right
	5GF32DX8AG	1							[K5X], Right
	5GF33AG-WAF	1		P					[K5G], Left

LIBERTY (KJ)

SERIES

P = Limited
H = Sport
M = Renegade

LINE

J = LHD (4WD)
U = RHD (4WD)
T = LHD (2WD)

BODY

74 = 4 Door (104.3 WB)

ENGINE

ED1 = Engine - 2.4L 4 Cyl
DOHC 16v SMPI
EKG = Engine - 3.7L V6
ENJ = Engine -2.5L 4 Cyl 16v
Turbo Diesel
ENR = Engine - 2.8L 4 Cyl
Turbo Diesel
ENO = 4Cyl Turbo Diesel
EKO = All 3.7L
EDO = All 2.4L

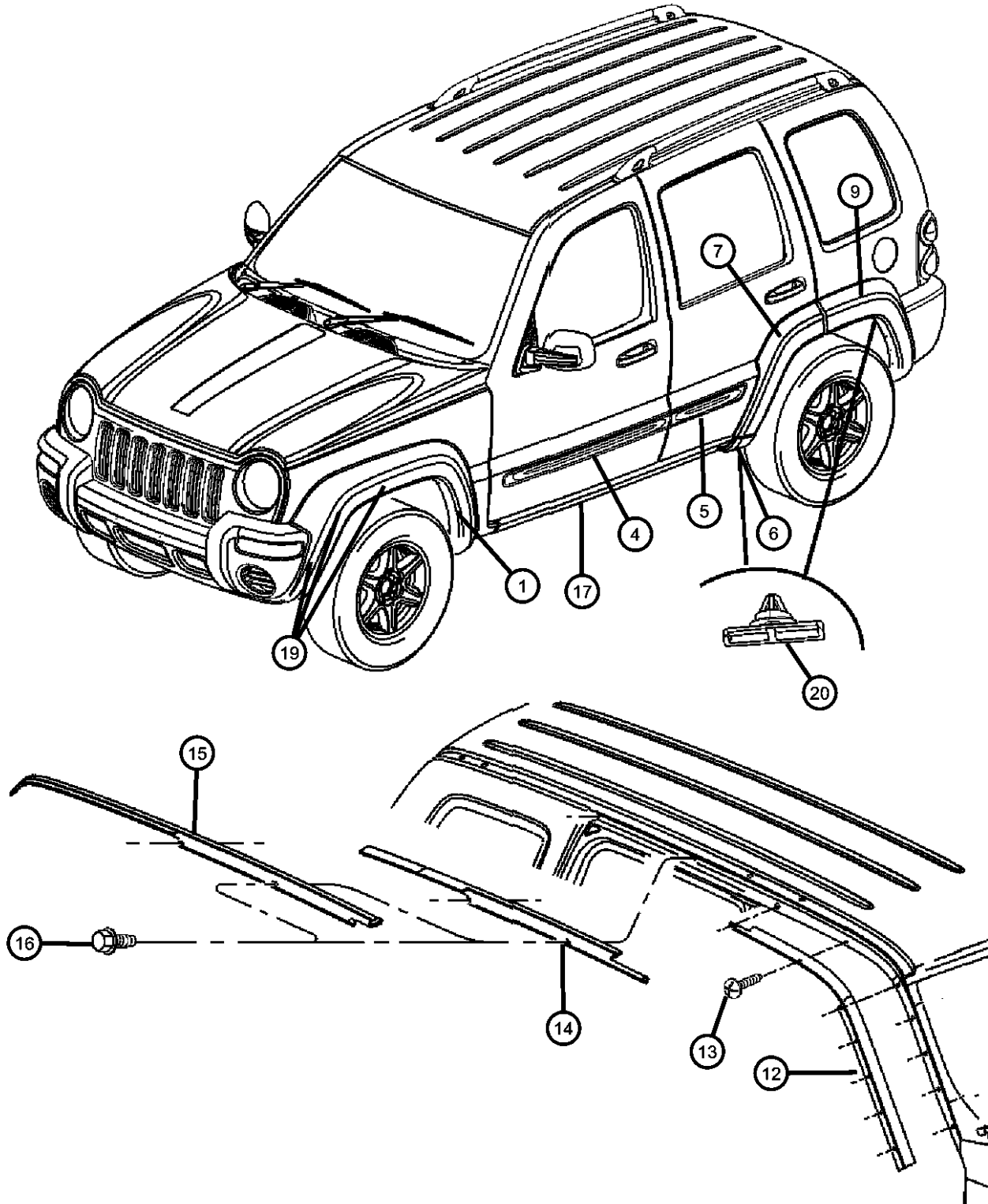
TRANSMISSION

DDD = Transmission - 5-Speed HD
Manual
DDK = Transmission - 5-Speed HD
Manual
DG4 = Transmission-Multi-Speed
Auto, 45RFE
DG6 = Transmission-4-Spd.
Automatic, 42RLE
DGQ = Transmission-5-Spd Automatic
5-45RFE
DBB = All Manual Transmissions
DG0 = All Automatic Transmissions

AR = use ase required - = Non illustrated part

2004 KJ

Moldings, Body Side
Figure EKJ-210



ITEM	PART NUMBER	QTY	LINE	SERIES	BODY	ENGINE	TRANS	TRIM	DESCRIPTION
	5GF33AJCAF	1		P					[K5K], Left
	5GF33BR8AF	1		P					[K5H], Left
	5GF33PR4AF	1		P					[K5R], Left
	5GF33WB7AF	1		P					[K5B], Left
	5GF33WS2AF	1		P					[K5S], Left
	5GF33ZBJAF	1		P					[K5D], Left
	5GF33SW1AF	1		P					[K5W], Left
	5GF33DX8AG	1							[K5X], Left
	5HV50AJCAC	1							[K4K], Right
	5HV50DX8AC	1							[K4X], Right
	5HV50WS2AC	1							[K4S], Right
	5GF36HS5AG	1		H					[K3A], Right
	5GF37HS5AG	1		H					[K3A], Left
	5HV49AF-MAC	1							[K4C], Left
	5HV49AJCAC	1							[K4K], Left
	5HV49DX8AC	1							[K4X], Left
	5HV49WS2AC	1							[K4S], Left
	5HV50AF-MAC	1							[K4C], Right
-8	55156447AB	11							PIN, Push
9									APPLIQUE, Rear Wheel Opening
	5GH02HS5AC	1		H					[K3A], Right
	5GH03HS5AC	1		H					[K3A], Left
	5GH04AG-WAB	1		P					[K5G], Right
	5GH04AJCAC	1							[K5K], Right
	5GH04BR8AB	1		P					[K5H], Right
	5GH04SW1AB	1		P					[K5W], Right
	5GH04WB7AB	1		P					[K5B], Right
	5GH04PR4AC	1							[K5R], Right

LIBERTY (KJ)

SERIES

P = Limited
H = Sport
M = Renegade

LINE

J = LHD (4WD)
U = RHD (4WD)
T = LHD (2WD)

BODY

74 = 4 Door (104.3 WB)

ENGINE

ED1 = Engine - 2.4L 4 Cyl
DOHC 16v SMPI
EKG = Engine - 3.7L V6
ENJ = Engine -2.5L 4 Cyl 16V
Turbo Diesel
ENR = Engine - 2.8L 4 Cyl
Turbo Diesel
ENO = 4Cyl Turbo Diesel
EKO = All 3.7L
EDO = All 2.4L

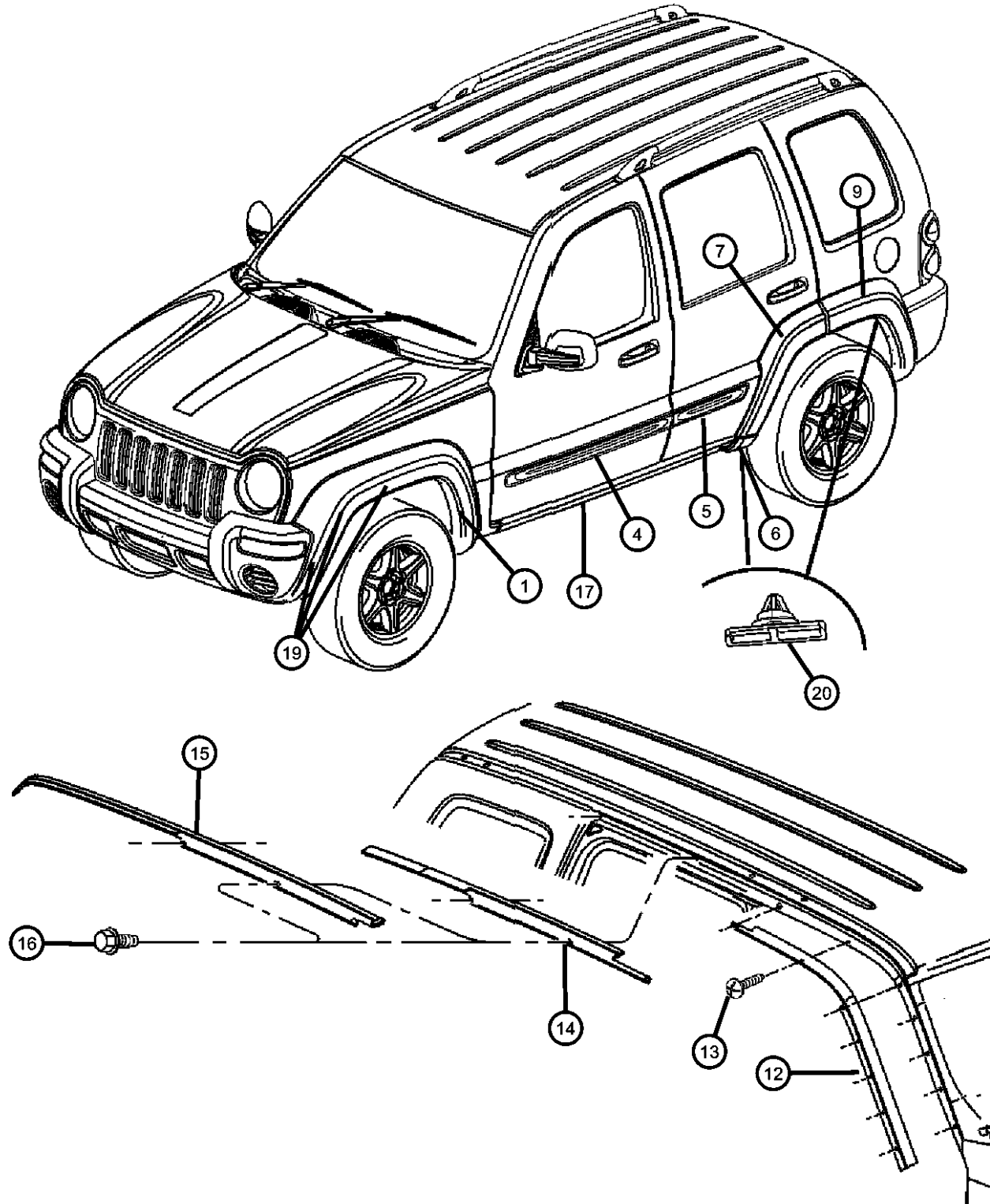
TRANSMISSION

DDD = Transmission - 5-Speed HD
Manual
DDK = Transmission - 5-Speed HD
Manual
DG4 = Transmission-Multi-Speed
Auto, 45RFE
DG6 = Transmission-4-Spd.
Automatic, 42RLE
DGQ = Transmission-5-Spd Automatic
5-45RFE
DBB = All Manual Transmissions
DG0 = All Automatic Transmissions

AR = use ase required - = Non illustrated part

2004 KJ

Moldings, Body Side
Figure EKJ-210



ITEM	PART NUMBER	QTY	LINE	SERIES	BODY	ENGINE	TRANS	TRIM	DESCRIPTION
	5GH04DX8AC	1							[K5X], Right
	5GH04ZBJAC	1							[K5D], Right
	5GH05AG-WAB	1		P					[K5G], Left
	5GH04WS2AC	1							[K5S], Right
	5GH05AJCAC	1							[K5K], Left
	5GH05BR8AB	1		P					[K5H], Left
	5GH05SW1AB	1		P					[K5W], Left
	5GH05WB7AB	1		P					[K5B], Left
	5GH05PR4AC	1							[K5R], Left
	5GH05DX8AC	1							[K5X], Left
	5GH05ZBJAC	1							[K5D], Left
	5HV47AF-MAC	1							[K4C], Left
	5HV47AJCAC	1							[K4K], Left
	5HV47DX8AC	1							[K4X], Left
	5GH05WS2AC	1							[K5S], Left
	5HV47WS2AC	1							[K4S], Left
	5HV48AF-MAC	1							[K4C], Right
	5HV48AJCAC	1							[K4K], Right
	5HV48DX8AC	1							[K4X], Right
	5HV48WS2AC	1							[K4S], Right
-10	55360254AA	1							SEAL, Moulding
-11	55360509AA	8							SPACER, Windshield
12									MOLDING, A-PILLAR
	55360052AC	1							[Up To 11-20-03], Right
	55360053AC	1							[Up To 11-20-03], Left
	55360688AA	1							[After 11-20-03], Right
	55360689AA	1							[After 11-20-03], Left
13	00153732	14							SCREW, .164-15x.500

LIBERTY (KJ)

SERIES

P = Limited
H = Sport
M = Renegade

LINE

J = LHD (4WD)
U = RHD (4WD)
T = LHD (2WD)

BODY

74 = 4 Door (104.3 WB)

ENGINE

ED1 = Engine - 2.4L 4 Cyl
DOHC 16v SMPI
EKG = Engine - 3.7L V6
ENJ = Engine -2.5L 4 Cyl 16V
Turbo Diesel
ENR = Engine - 2.8L 4 Cyl
Turbo Diesel
ENO = 4Cyl Turbo Diesel
EKO = All 3.7L
EDO = All 2.4L

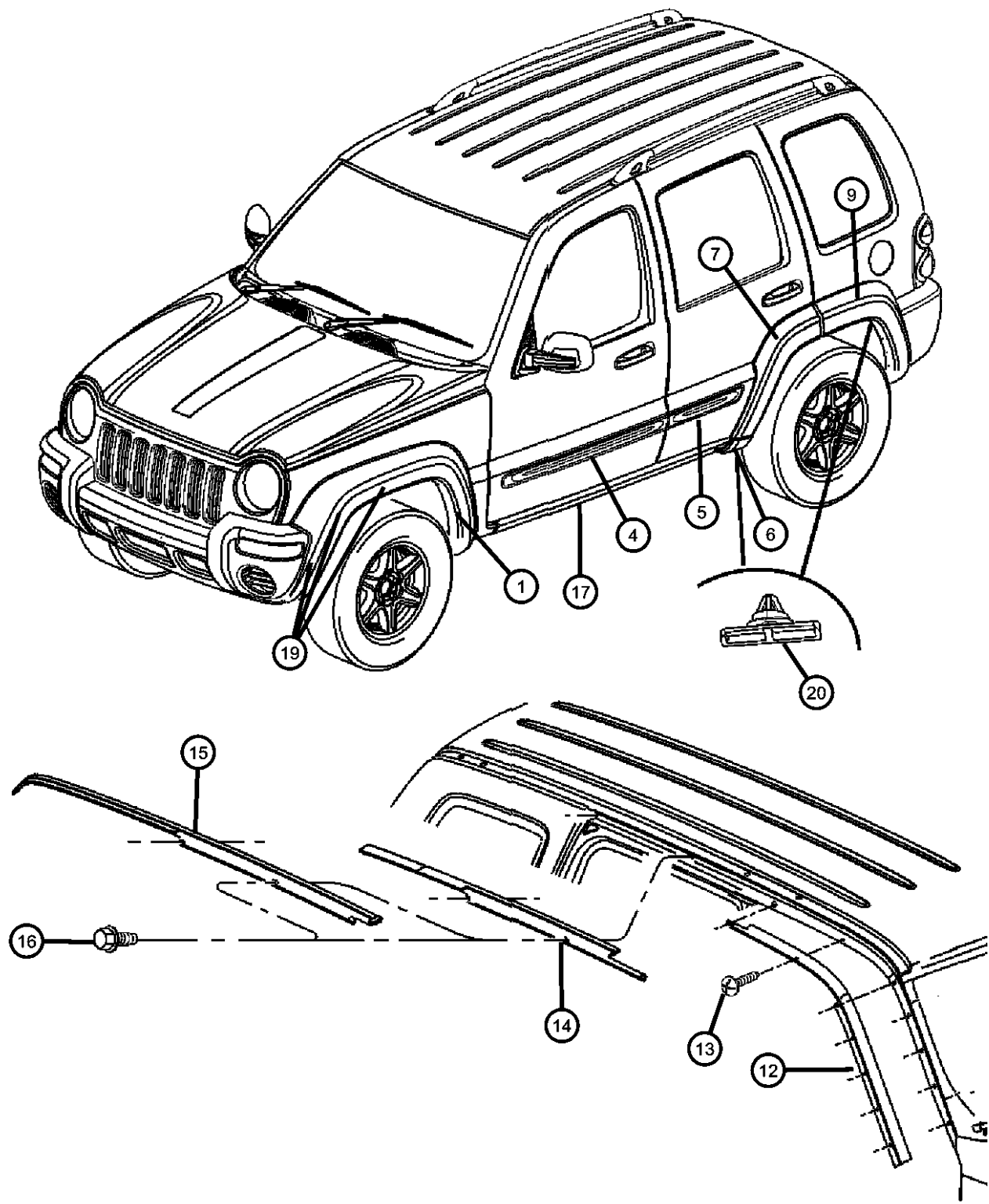
TRANSMISSION

DDD = Transmission - 5-Speed HD
Manual
DDK = Transmission - 5-Speed HD
Manual
DG4 = Transmission-Multi-Speed
Auto, 45RFE
DG6 = Transmission-4-Spd.
Automatic, 42RLE
DGQ = Transmission-5-Spd Automatic
5-45RFE
DBB = All Manual Transmissions
DG0 = All Automatic Transmissions

AR = use ase required - = Non illustrated part

2004 KJ

Moldings, Body Side
Figure EKJ-210

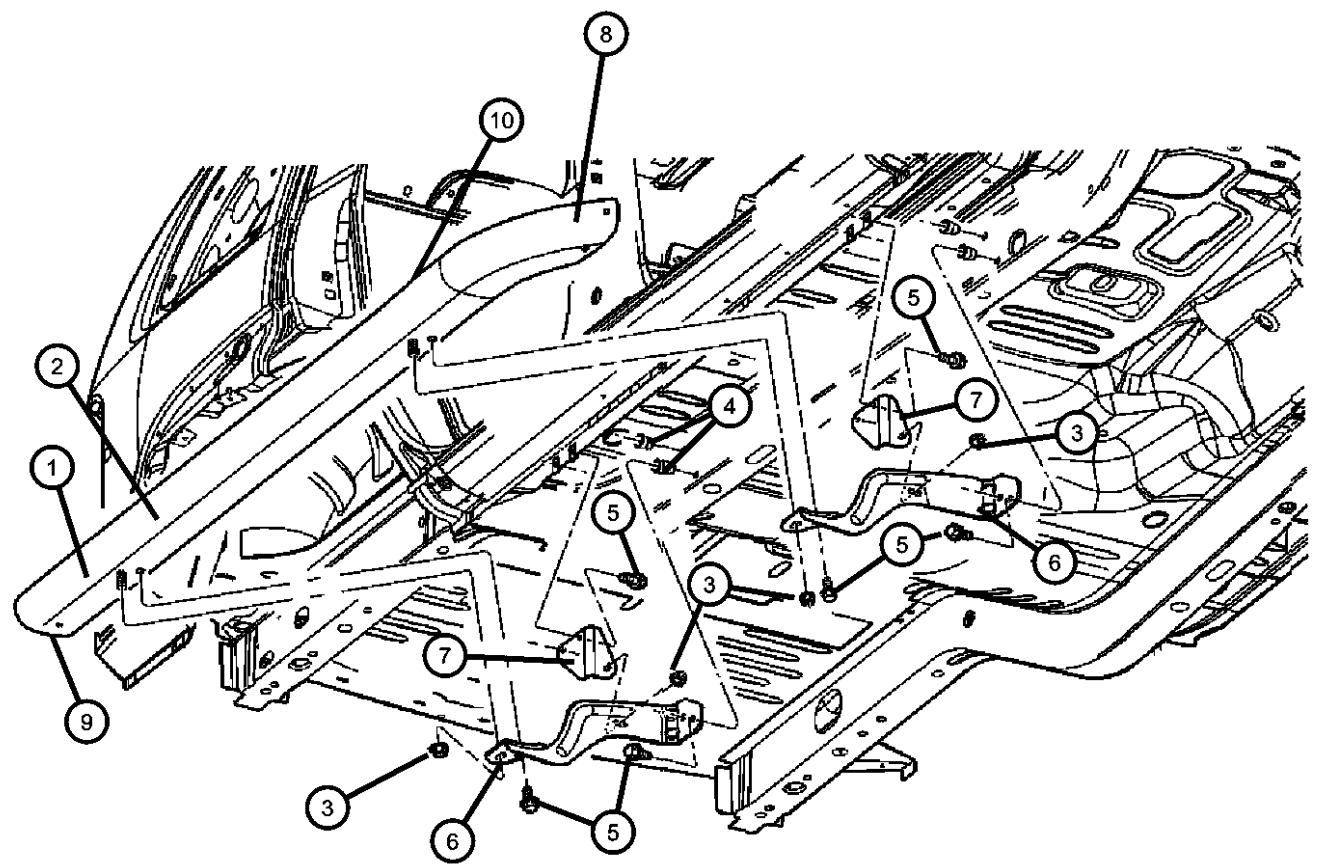


ITEM	PART NUMBER	QTY	LINE	SERIES	BODY	ENGINE	TRANS	TRIM	DESCRIPTION
14	55360174AC	1							MOLDING, Roof With Roof Rack, [MWE], Molding Rear Section Serviced With P/N 55360418AH Roof Rack Side Rails, Right
	55360175AC	1							With Roof Rack, [MWE], Molding Rear Section Serviced With P/N 55360419AH Roof Rack Side Rails, Left
15	55360176AE	1							MOLDING, Roof Without Roof Rack [MWE], Right
	55360177AE	1							Without Roof Rack [MWE], Left
16	00153732	4							SCREW, .164-15x.500
17									MOLDING, Sill Cover
	5GU02RX-FAC	1			H, P				Right
	5GU03RX-FAC	1			H, P				Left
-18	05101912AA	8			H, P				RETAINER, Molding
19	05140709AA	1							ORNAMENT, Wheel Flare, Package of 5 Rivets
20	55156655AA	5							PIN, Push

LIBERTY (KJ)				
SERIES	LINE	BODY	ENGINE	TRANSMISSION
P = Limited	J = LHD (4WD)	74 = 4 Door (104.3 WB)	ED1 = Engine - 2.4L 4 Cyl DOHC 16v SMPI	DDD = Transmission - 5-Speed HD Manual
H = Sport	U = RHD (4WD)		EKG = Engine - 3.7L V6	DDK = Transmission - 5-Speed HD Manual
M = Renegade	T = LHD (2WD)		ENJ = Engine -2.5L 4 Cyl 16V Turbo Diesel	DG4 = Transmission-Multi-Speed Auto, 45RFE
			ENR = Engine - 2.8L 4 Cyl Turbo Diesel	DG6 = Transmission-4-Spd. Automatic, 42RLE
			ENO = 4Cyl Turbo Diesel	DGQ = Transmission-5-Spd Automatic 5-45RFE
			EK0 = All 3.7L	DBB = All Manual Transmissions
			ED0 = All 2.4L	DG0 = All Automatic Transmissions

AR = use ase required - = Non illustrated part

**Side Rails, Tubular [MRK]
Figure EKJ-220**



ITEM	PART NUMBER	QTY	LINE	SERIES	BODY	ENGINE	TRANS	TRIM	DESCRIPTION
1	5HY50WS2AD	1							STEP, Right Side Right
	5HY51WS2AD	1							Left
2	5JY16WS2AA	1							RAIL, Rocker Panel Right
	5JY17WS2AA	1							Left
3	5JY17WS2AA	1							NUT AND WASHER, M8-1.25, (NOT SERVICED)
4	06507091AA	8							RIVNUT, Installation, M8x1.25x17.78
5	06100592	4							SCREW, M8x1.25x30
6	55156510AD	1							BRACKET, Side Rail Front, Right
	55156511AD	1							Front, Left
	55156584AD	1							Rear, Right
	55156587AD	1							Rear, Left
7	55156580AC	2							BRACKET, Side Rail Right
	55156581AC	2							Left
8	55156512AD	1							END CAP, Side Step Right, Front
	55156513AD	1							Left, Front
	55156582AC	1							Right, Rear
	55156583AC	1							Left, Rear
9	55360695AA	2						END CAP, Side Rail	
10	55156508AD	1							STEP PAD, Side Step Right
	55156509AD	1							Left

LIBERTY (KJ)

SERIES LINE
P = Limited J = LHD (4WD)
H = Sport U = RHD (4WD)
M = Renegade T = LHD (2WD)

BODY
74 = 4 Door (104.3 WB)

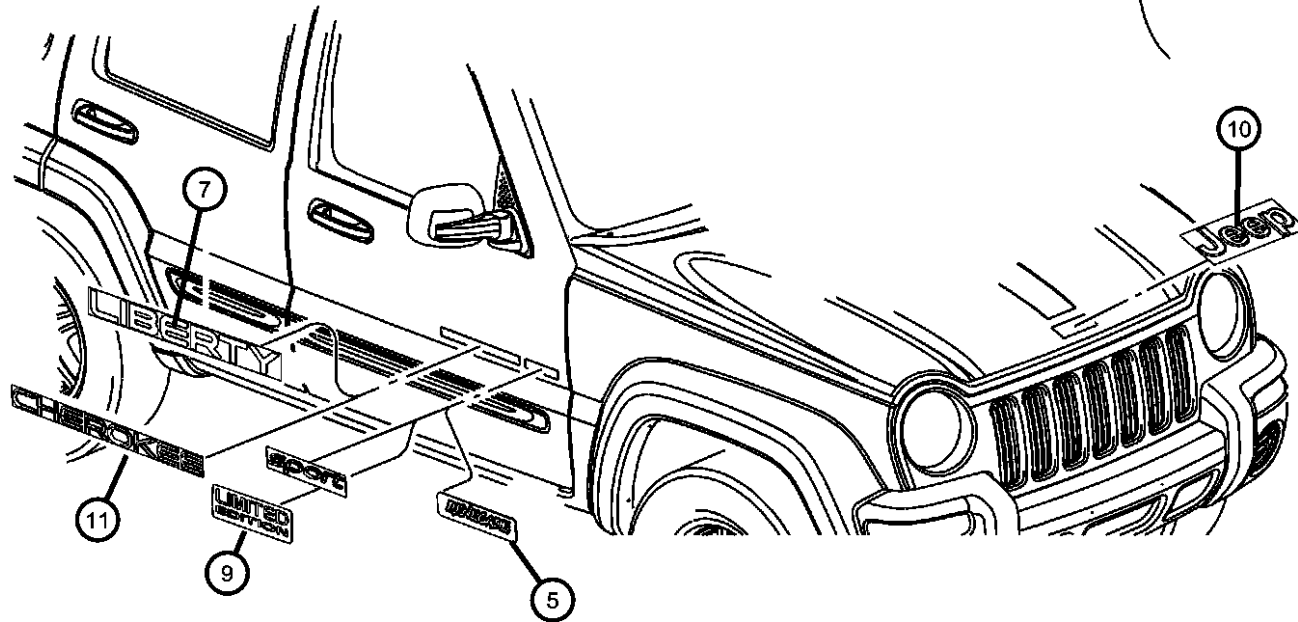
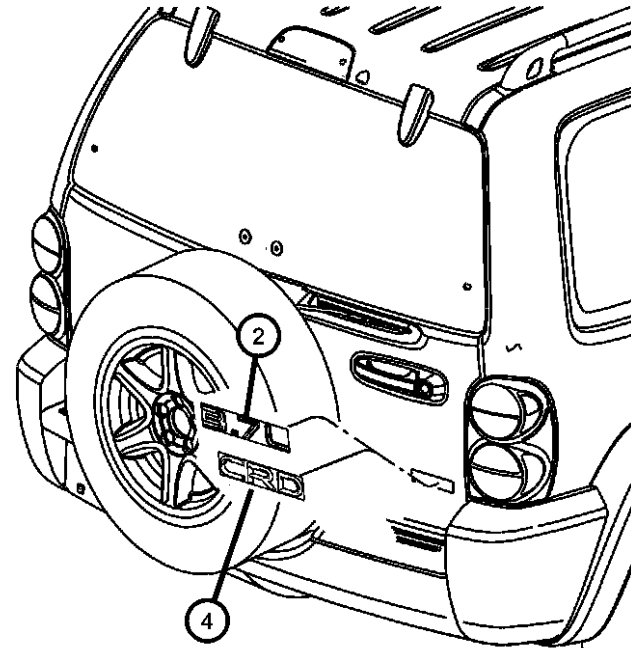
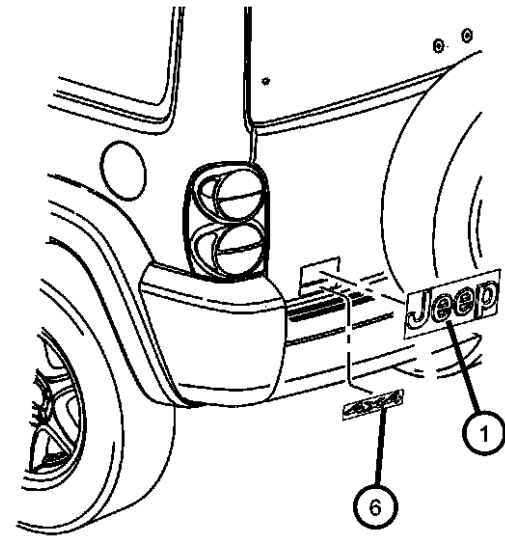
ENGINE
ED1 = Engine - 2.4L 4 Cyl
DOHC 16v SMPI
EKG = Engine - 3.7L V6
ENJ = Engine -2.5L 4 Cyl 16V
Turbo Diesel
ENR = Engine - 2.8L 4 Cyl
Turbo Diesel
ENO = 4Cyl Turbo Diesel
EKO = All 3.7L
EDO = All 2.4L

TRANSMISSION
DDD = Transmission - 5-Speed HD
Manual
DDK = Transmission - 5-Speed HD
Manual
DG4 = Transmission-Multi-Speed
Auto, 45RFE
DG6 = Transmission-4-Spd.
Automatic, 42RLE
DGQ = Transmission-5-Spd Automatic
5-45RFE
DBB = All Manual Transmissions
DG0 = All Automatic Transmissions

AR = use ase required - = Non illustrated part

**Decals
Figure EKJ-310**

ITEM	PART NUMBER	QTY	LINE	SERIES	BODY	ENGINE	TRANS	TRIM	DESCRIPTION
------	-------------	-----	------	--------	------	--------	-------	------	-------------



Note: Sales Codes

[MZR]= Common Rail Diesel

1	55156554AE	1							DECAL, JEEP, [MVC]
2	55156275AF	1							DECAL, 3.7L, [MZL]
-3	5JN17CA1AB	1							NAMEPLATE, 3.7L, [KFS]
4									NAMEPLATE, CRD
	55156405AD	1							[MZR], Bright Chrome Finish
	5JN01CA1AA	1							Dull Finish
5	52112057AA	2							DIMENSIONAL GRAPHIC, Renegade, [MZ2]
6	5JN16CA1AB	1	J, U						NAMEPLATE, 4X4, [KRS]
7	5JN11CA1AB	2							NAMEPLATE, Liberty, [KLS]
-8	55156604AD	2							DECAL, Liberty, [MZ3]
9	55156605AA	2							DECAL, Limited Edition, [MZ2]
10	55156554AE	1							DECAL, JEEP, [MVC]
11	55156272AG	2							DECAL, Cherokee, [MZC]
-12	04399791	2							REFLECTOR, Fascia
-13	55157106AA	1							DECAL, Trail Rated, MT2

LIBERTY (KJ)

SERIES

P = Limited
H = Sport
M = Renegade

LINE

J = LHD (4WD)
U = RHD (4WD)
T = LHD (2WD)

BODY

74 = 4 Door (104.3 WB)

ENGINE

ED1 = Engine - 2.4L 4 Cyl
DOHC 16v SMPI
EKG = Engine - 3.7L V6
ENJ = Engine -2.5L 4 Cyl 16V
Turbo Diesel
ENR = Engine - 2.8L 4 Cyl
Turbo Diesel
ENO = 4Cyl Turbo Diesel
EKO = All 3.7L
EDO = All 2.4L

TRANSMISSION

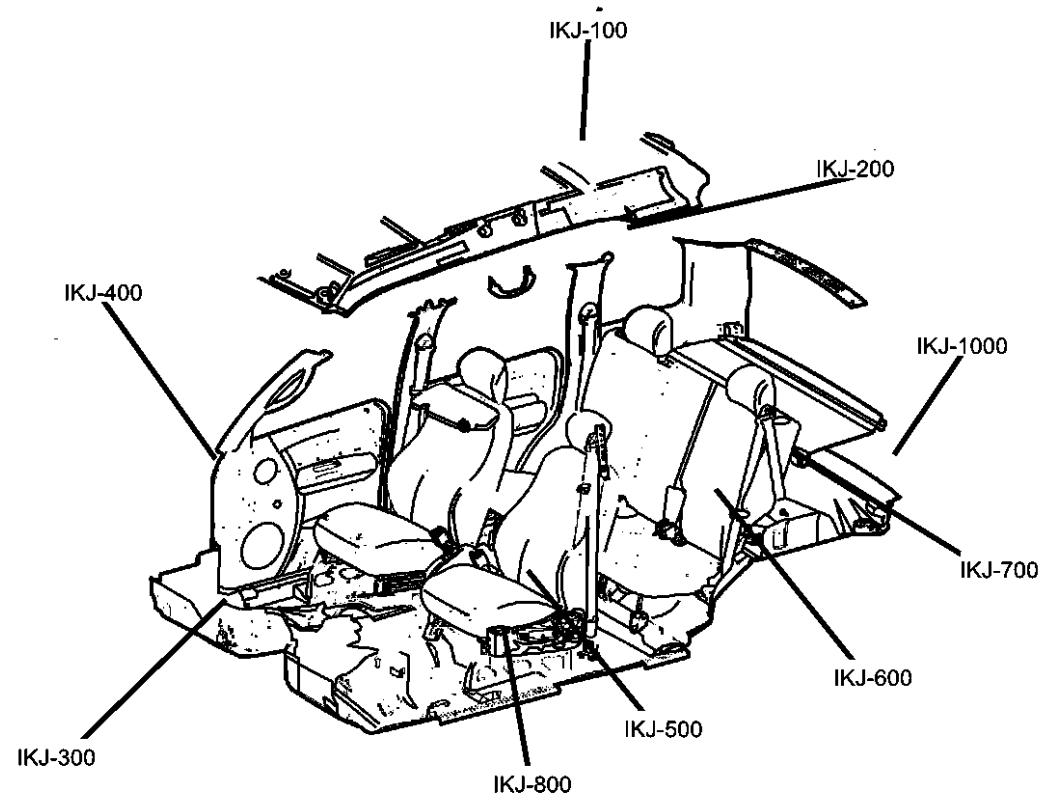
DDD = Transmission - 5-Speed HD
Manual
DDK = Transmission - 5-Speed HD
Manual
DG4 = Transmission-Multi-Speed
Auto, 45RFE
DG6 = Transmission-4-Spd.
Automatic, 42RLE
DGQ = Transmission-5-Spd Automatic
5-45RFE
DBB = All Manual Transmissions
DG0 = All Automatic Transmissions

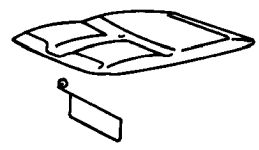
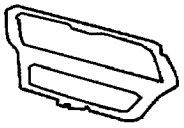
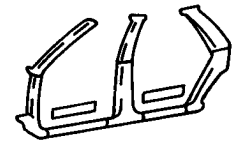
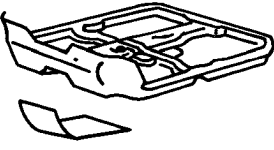
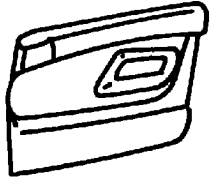

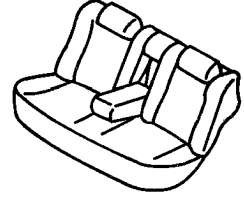
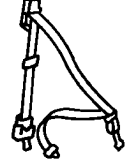
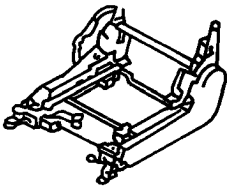
AR = use ase required - = Non illustrated part

2004 KJ

Group - IKJ

Interior Trim

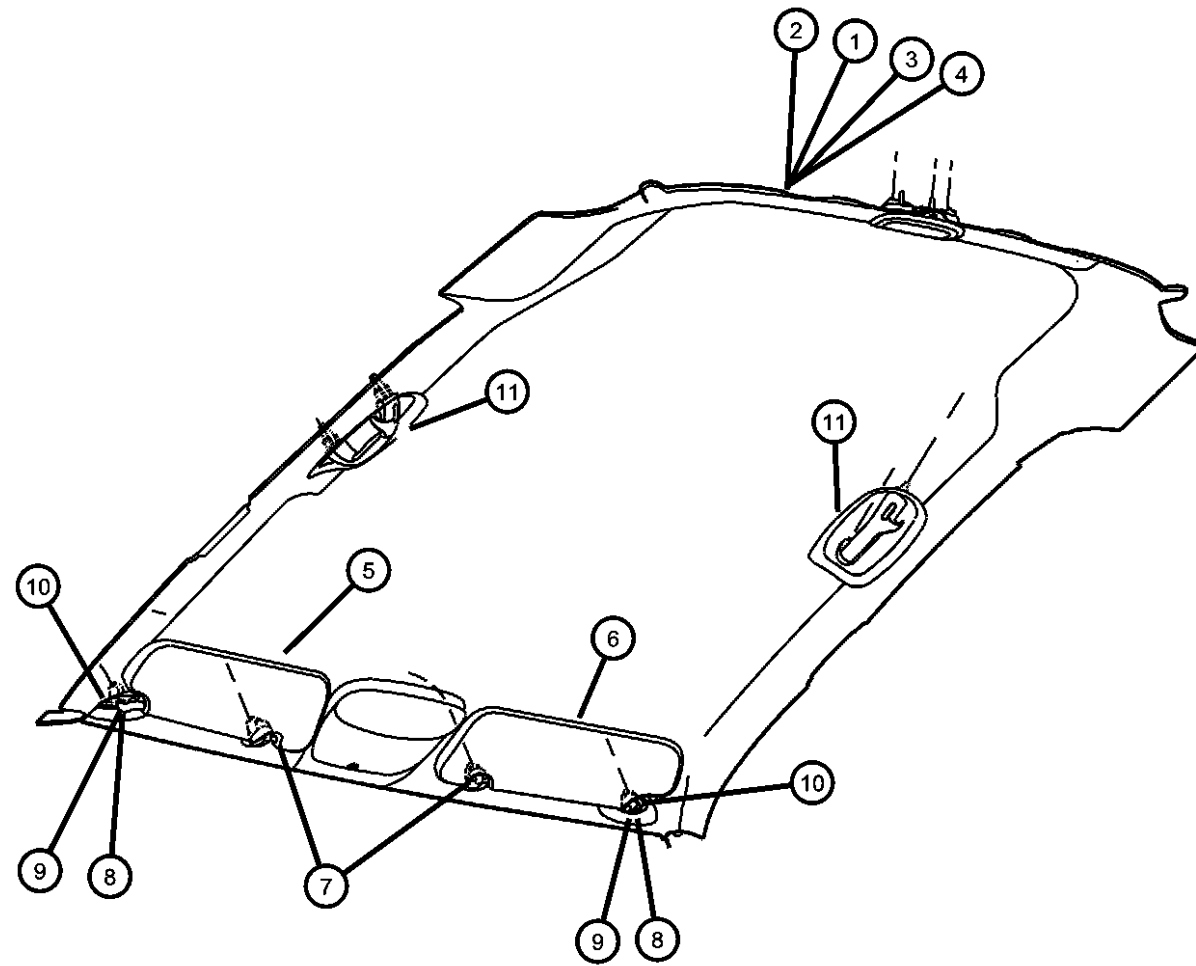


<p>IKJ-100 Headliner and Visor</p> 	<p>IKJ-1000 Lift Gate Trim</p> 	<p>IKJ-200 Moldings, Scuff Plates</p> 	<p>IKJ-300 Carpet</p> 
<p>IKJ-400 Door Trim Panels</p> 	<p>IKJ-500 Front Seats and Attaching Parts</p> 	<p>IKJ-600 Rear Seats and Attaching Parts</p> 	<p>IKJ-700 Seat Belts-Front and Rear</p> 
<p>IKJ-800 Adjusters, Covers, Shields, and Risers</p> 			

Group - IKJ Interior Trim

Illustration Title	Group-Fig. No.
Headliner and Visor	
Headliner and Visors	Fig. IKJ - 110
Moldings, Scuff Plates	
Panels, Interior Trim, Front	Fig. IKJ - 210
Panels, Interior Trim, Rear	Fig. IKJ - 220
Carpet	
Carpets and Mats	Fig. IKJ - 310
Cargo Organizer.....	Fig. IKJ - 320
Door Trim Panels	
Trim Panel, Front Door	Fig. IKJ - 410
Trim Panel, Rear Door	Fig. IKJ - 420
Front Seats and Attaching Parts	
Front Seat, Leather, Low Back, Trim Code [DL]	Fig. IKJ - 510
Front Seat, Cloth, Low Back, Trim Code [XJ]	Fig. IKJ - 520
Front Seat, Cloth, Trim Code [M5]	Fig. IKJ - 530
Front Seat, Cloth, Low Back, Trim Code [E7]	Fig. IKJ - 540
Front Seat, Cloth, Trim Code [J5]	Fig. IKJ - 550
Front Seat, Cloth, Low Back, Trim Code [F7]	Fig. IKJ - 560
Front Seat, Cloth, Low Back, Trim Code [A7]	Fig. IKJ - 570
Front Seat, Cloth, Trim Code [V5]	Fig. IKJ - 580
Rear Seats and Attaching Parts	
Rear Seats, Trim Code [M5]	Fig. IKJ - 610
Rear Seat, Trim Code [DL]	Fig. IKJ - 620
Rear Seat, Trim Code [XJ]	Fig. IKJ - 630
Rear Seat, Trim Code [E7]	Fig. IKJ - 640
Rear Seat, Trim Code [J5]	Fig. IKJ - 650
Rear Seat, Trim Code [F7]	Fig. IKJ - 660
Rear Seat, Trim Code [A7]	Fig. IKJ - 670
Rear Seat, Trim Code [V5]	Fig. IKJ - 680
Seat Belts-Front and Rear	
Seat Belts, Front	Fig. IKJ - 710
Seat Belts, Rear	Fig. IKJ - 720
Adjusters, Covers, Shields, and Risers	
Recliner and Adjuster	Fig. IKJ - 810
Lift Gate Trim	
Swing Gate Trim Panel	Fig. IKJ - 1010

Headliner and Visors Figure IKJ-110



ITEM	PART NUMBER	QTY	LINE	SERIES	BODY	ENGINE	TRANS	TRIM	DESCRIPTION
------	-------------	-----	------	--------	------	--------	-------	------	-------------

Sales Codes:
 [AHM] = Convenience Group 1
 [CGS] = Side Air Bags
 [CUD] = Console, Mini Overhead
 [GNA] = Prismatic
 [GNK] = Electrochromic
 [GWA] = Power Sunroof
 [LSC] = Security Alarm
 [RSP] = Hands Free Communication

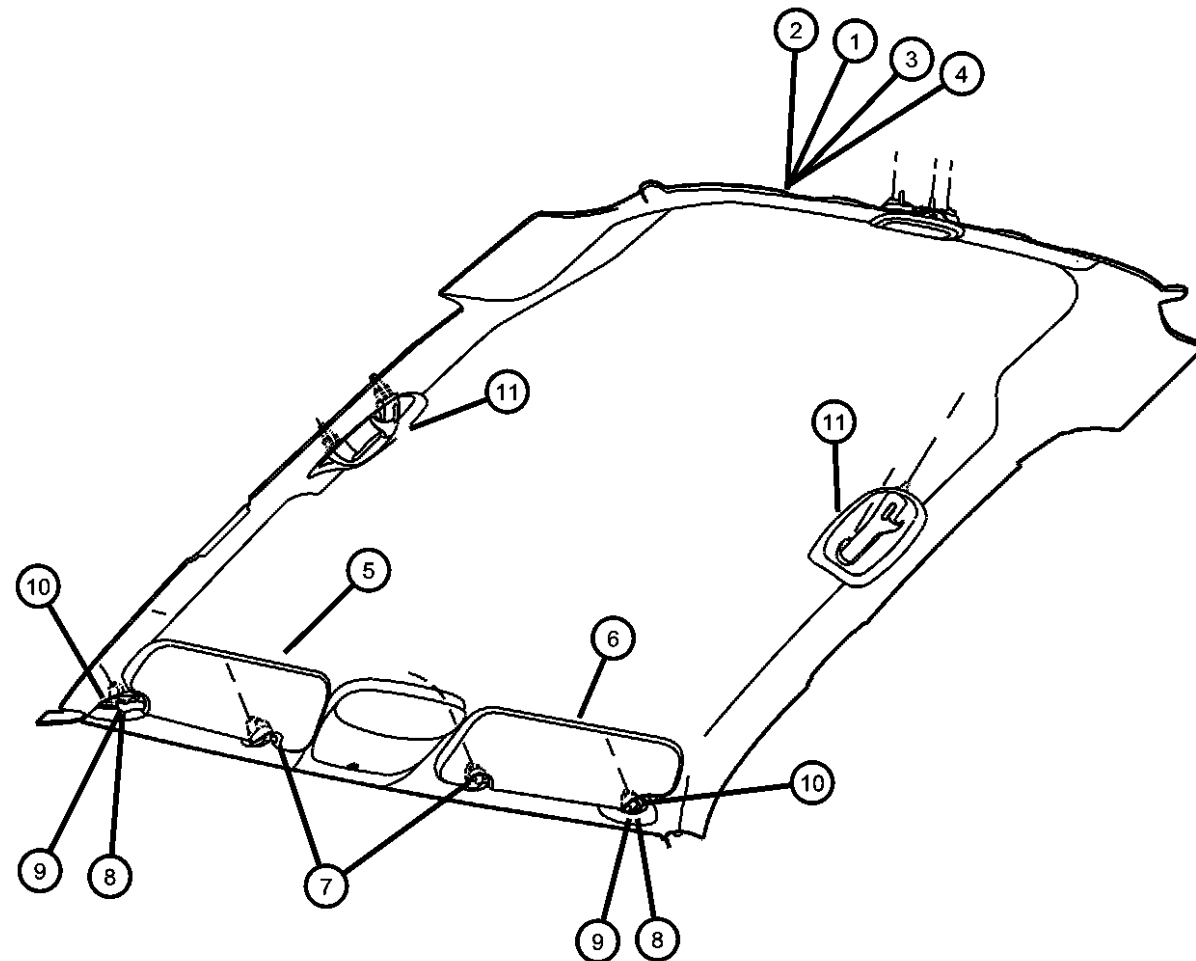
1									HEADLINER, Without Sunroof [GWA]
	0XP81TL2AA	1		J, T				*00	Up to 2/9/04, With [CGS] Side Air Bags Only
	0XP821L2AA	1		J, T				*00	Up to 2/9/04, With [AHM] Convenience Group 1, [CUD] Overhead Console, [GWA] Power Sunroof, and [CGS] Side Air Bags
	0XP83TL2AA	1		J, T				*00	Up to 2/9/04, With [AHM] Convenience Group 1 and [CGS] Side Air Bags
	0XP85TL2AA	1		J, T				*00	Up to 2/9/04, Without [AHM] Convenience Group 1, [CUD] Overhead Console, [GWA] Power Sunroof, and [CGS] Side Air Bags
	0XP86TL2AA	1		J, T				*00	Up to 2/9/04, With [AHM] Convenience Group 1, Only
	0XP871L2AA	1		J, T				*00	Up to 2/9/04, With [AHM] Convenience Group 1, [CUD] Overhead Console, [GNK] Auto Dim Mirror
	0XW081L2AA	1						*00	Up to 2/9/04, With [AHM] Convenience Group 1, [CUD] Overhead Console
	0XW091L2AA	1						*00	Up to 2/9/04, With [AHM] Convenience Group 1, [CUD] Overhead Console, and [CGS] Side Air Bags

LIBERTY (KJ)

SERIES	LINE	BODY	ENGINE	TRANSMISSION
P = Limited	J = LHD (4WD)	74 = 4 Door (104.3 WB)	ED1 = Engine - 2.4L 4 Cyl DOHC 16v SMPI	DDD = Transmission - 5-Speed HD Manual
H = Sport	U = RHD (4WD)		EKG = Engine - 3.7L V6	DDK = Transmission - 5-Speed HD Manual
M = Renegade	T = LHD (2WD)		ENJ = Engine - 2.5L 4 Cyl 16v Turbo Diesel	DG4 = Transmission-Multi-Speed Auto, 45RFE
			ENR = Engine - 2.8L 4 Cyl Turbo Diesel	DG6 = Transmission-4-Spd. Automatic, 42RLE
			ENO = 4Cyl Turbo Diesel	DGQ = Transmission-5-Spd Automatic 5-45RFE
			EKO = All 3.7L	DBB = All Manual Transmissions
			EDO = All 2.4L	DG0 = All Automatic Transmissions

AR = use ase required - = Non illustrated part

**Headliner and Visors
Figure IKJ-110**



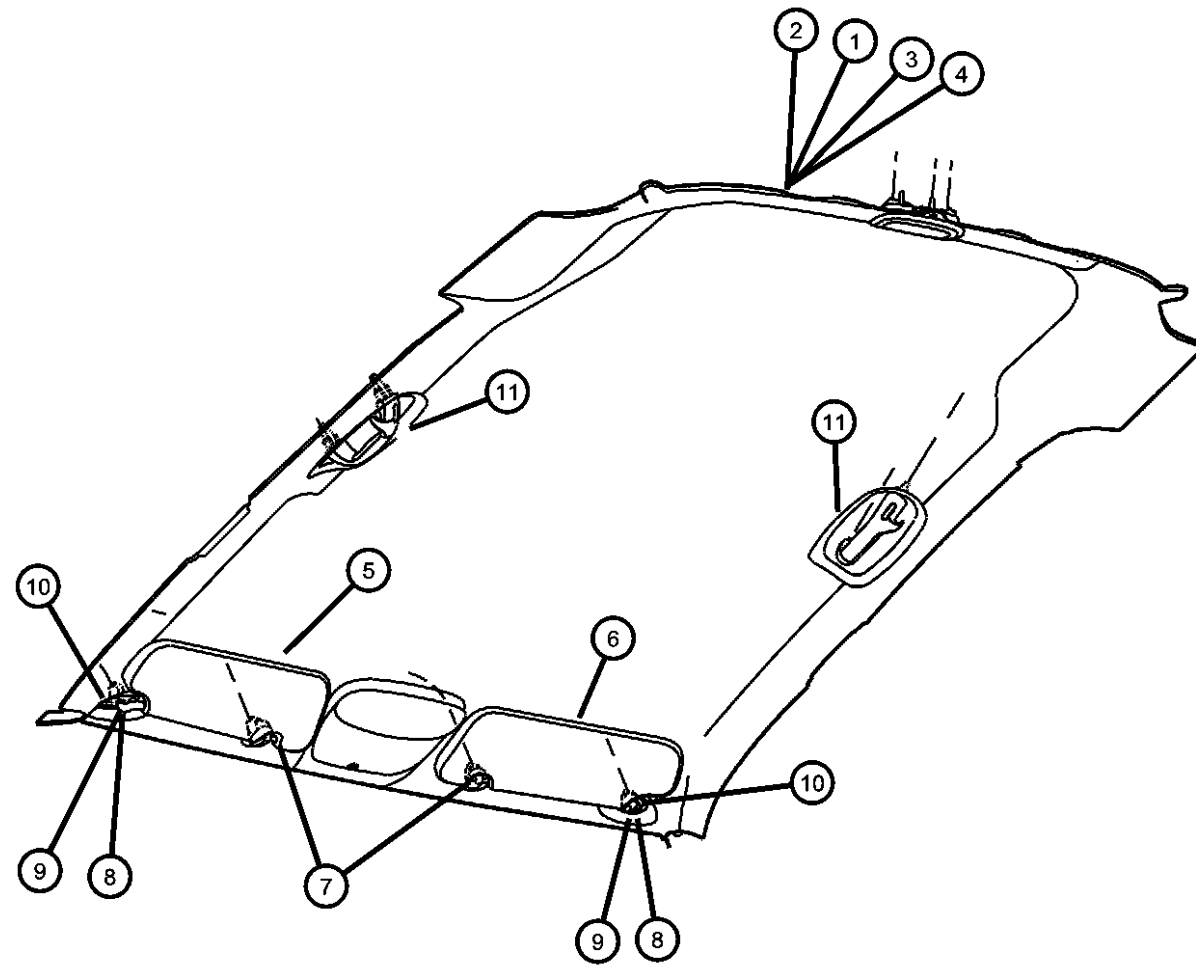
ITEM	PART NUMBER	QTY	LINE	SERIES	BODY	ENGINE	TRANS	TRIM	DESCRIPTION
	1AS12TL2AA	1	J, T					*O0	After 2/9/04, Without [AHM] Convenience Group 1, [CUD] Overhead Console, [GWA] Power Sunroof, and [CGS] Side Air Bags
	1AS13TL2AA	1	J, T					*O0	After 2/9/04, With [AHM] Convenience Group 1, Only
	1AS15TL2AA	1	J, T					*O0	After 2/9/04, With [CGS] Side Air Bags Only
	1AS16TL2AA	1	J, T					*O0	After 2/9/04, With [AHM] Convenience Group 1 and [CGS] Side Air Bags
	1AS281L2AA	1	J, T					*O0	After 2/9/04, With [AHM] Convenience Group 1, [CUD] Overhead Console
	1AS291L2AA	1	J, T					*O0	After 2/9/04, With [AHM] Convenience Group 1, [CUD] Overhead Console, and [CGS] Side Air Bags
	1AS401L2AA	1	J, T					*O0	After 2/9/04, With [AHM] Convenience Group 1, [CUD] Overhead Console, [CUD], [GNK] Auto Dim Mirror
	1AS421L2AA	1	J, T					*O0	After 2/9/04, With [AHM] Convenience Group 1, [CUD] Overhead Console, [GWA] Power Sunroof, and [CGS] Side Air Bags
2	0XP89TL2AA	1	J, T					*O0	HEADLINER, With Sunroof [GWA] Up to 2/9/04, With [AHM] Convenience Group 1, [CGS] Side Air Bags
	0XP90TL2AA	1	J, T					*O0	Up to 2/9/04, With [AHM] Convenience Group 1, [CUD] Overhead Console, [CGS] Side Air Bags and [GNK] Auto Dim Mirror
	0XP92TL2AA	1	J, T					*O0	Up to 2/9/04, With [AHM] Convenience Group 1

LIBERTY (KJ)

SERIES	LINE	BODY	ENGINE	TRANSMISSION
P = Limited	J = LHD (4WD)	74 = 4 Door (104.3 WB)	ED1 = Engine - 2.4L 4 Cyl DOHC 16v SMPI	DDD = Transmission - 5-Speed HD Manual
H = Sport	U = RHD (4WD)		EKG = Engine - 3.7L V6	DDK = Transmission - 5-Speed HD Manual
M = Renegade	T = LHD (2WD)		ENJ = Engine - 2.5L 4 Cyl 16v Turbo Diesel	DG4 = Transmission-Multi-Speed Auto, 45RFE
			ENR = Engine - 2.8L 4 Cyl Turbo Diesel	DG6 = Transmission-4-Spd. Automatic, 42RLE
			ENO = 4Cyl Turbo Diesel	DGQ = Transmission-5-Spd Automatic 5-45RFE
			EK0 = All 3.7L	DBB = All Manual Transmissions
			ED0 = All 2.4L	DG0 = All Automatic Transmissions

AR = use ase required - = Non illustrated part

**Headliner and Visors
Figure IKJ-110**

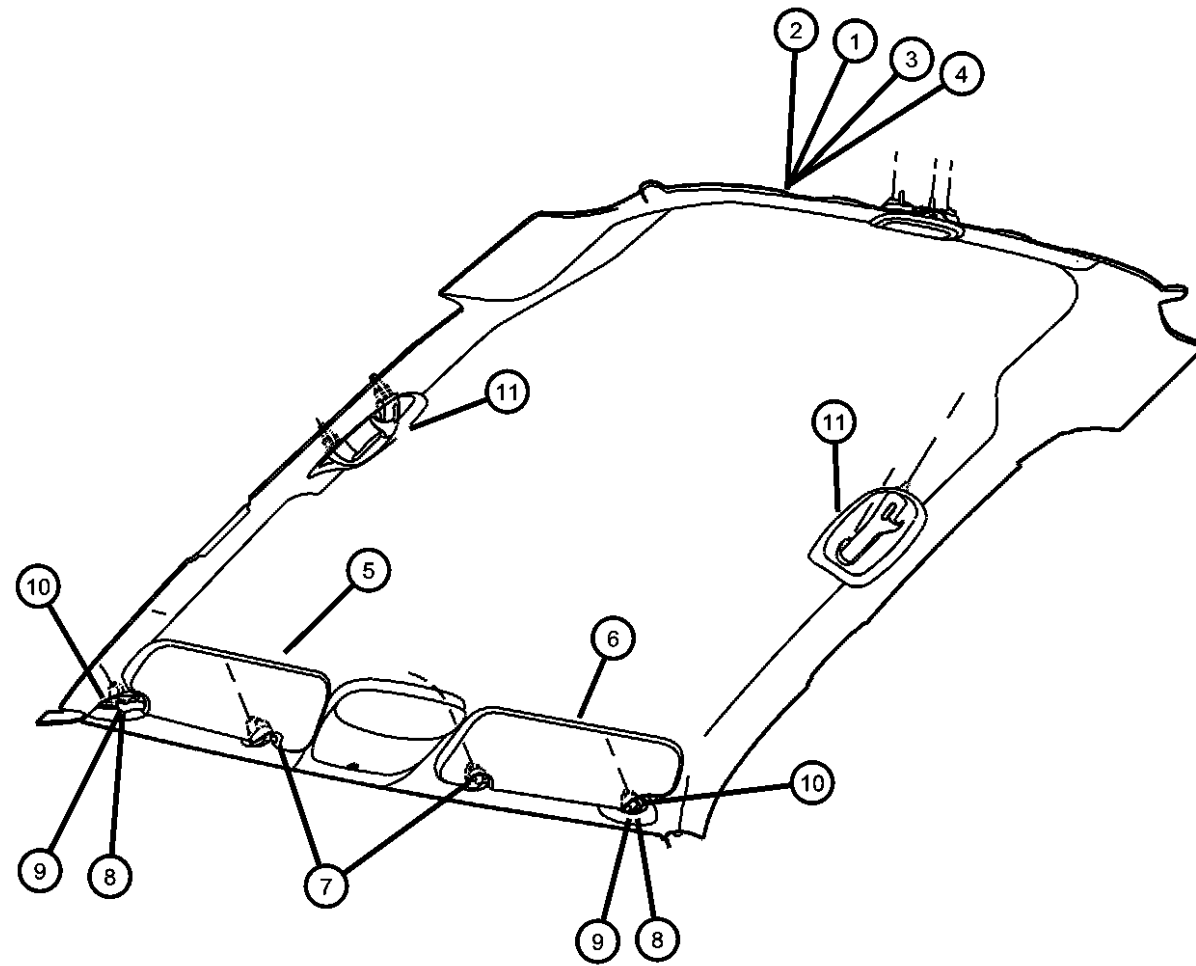


ITEM	PART NUMBER	QTY	LINE	SERIES	BODY	ENGINE	TRANS	TRIM	DESCRIPTION
	0XP93TL2AA	1	J, T					*00	Up to 2/9/04, With [AHM] Convenience Group 1, [CUD] Overhead Console, and [GNK] Auto Dim Mirror
	0XW10TL2AA	1						*00	Up to 2/04, With [AHM] Convenience Group 1, [CUD] Overhead Console, and [CGS] Side Air Bags
	0XW11TL2AA	1						*00	Up to 2/9/04, With [AHM] Convenience Group 1, [CUD] Overhead Console
	1AS14TL2AA	1	J, T					*00	After 2/9/04, With [AHM] Convenience Group 1
	1AS17TL2AA	1	J, T					*00	After 2/9/04, With [AHM] Convenience Group 1, [CGS] Side Air Bags
	1AS30TL2AA	1	J, T					*00	After 2/04, With [AHM] Convenience Group 1, [CUD] Overhead Console, and [CGS] Side Air Bags
	1AS31TL2AA	1	J, T					*00	After 2/9/04, With [AHM] Convenience Group 1, [CUD] Overhead Console
	1AS41TL2AA	1	J, T					*00	After 2/9/04, With [AHM] Convenience Group 1, [CUD] Overhead Console, and [GNK] Auto Dim Mirror
	1AS43TL2AA	1	J, T					*00	After 2/9/04, With [AHM] Convenience Group 1, [CUD] Overhead Console, [CGS] Side Air Bags and [GNK] Auto Dim Mirror
3	0XP91TL2AA	1	J, U					*00	HEADLINER, Export, With Sunroof [GWA] Up to 2/9/04, With [CGS] Side Air Bags, [CUD] Overhead Console, [LSC] Security Alarm, [GNK] Auto Dim Mirror
	0XP94TL2AA	1	J, U					*00	Up to 2/9/04, With [CUD] Overhead Console, [LSC] Security Alarm, [GNK] Auto Dim Mirror

LIBERTY (KJ)				
SERIES	LINE	BODY	ENGINE	TRANSMISSION
P = Limited	J = LHD (4WD)	74 = 4 Door (104.3 WB)	ED1 = Engine - 2.4L 4 Cyl DOHC 16v SMPI	DDD = Transmission - 5-Speed HD Manual
H = Sport	U = RHD (4WD)		EKG = Engine - 3.7L V6	DDK = Transmission - 5-Speed HD Manual
M = Renegade	T = LHD (2WD)		ENJ = Engine -2.5L 4 Cyl 16v Turbo Diesel	DG4 = Transmission-Multi-Speed Auto, 45RFE
			ENR = Engine - 2.8L 4 Cyl Turbo Diesel	DG6 = Transmission-4-Spd. Automatic, 42RLE
			ENO = 4Cyl Turbo Diesel	DGQ = Transmission-5-Spd Automatic 5-45RFE
			EKO = All 3.7L	DBB = All Manual Transmissions
			EDO = All 2.4L	DG0 = All Automatic Transmissions

AR = use ase required - = Non illustrated part

**Headliner and Visors
Figure IKJ-110**



ITEM	PART NUMBER	QTY	LINE	SERIES	BODY	ENGINE	TRANS	TRIM	DESCRIPTION
	0XW10TL2AA	1						*00	Up to 2/9/04, With [CGS] Side Air Bags, [CUD] Overhead Console
	0XW11TL2AA	1	J, T					*00	Up to 2/9/04, With [CUD] Overhead Console
	0XY04TL2AA	1	J, U					*00	Up to 2/9/04, With Sunroof Only
	0XY06TL2AA	1	J, U					*00	Up to 2/9/04, With [CUD] Overhead Console, [GNK] Auto Dim Mirror
	0XZ20TL2AA	1	J, U					*00	Up to 2/9/04, With [CGS] Side Air Bags Only
	0XZ22TL2AA	1	J, U					*00	Up to 2/9/04, With [CGS] Side Air Bags, [CUD] Overhead Console, [GNK] Auto Dim Mirror
	0YL04TL2AA	1						*00	Up to 2/9/04, With [CGS] Side Air Bags, [CUD] Overhead Console, [LSC] Security Alarm
	0YL12TL2AA	1						*00	Up to 2/9/04, With [CUD] Overhead Console, [LSC] Security Alarm
	1AS01TL2AA	1	J, U					*00	After 2/9/04, With [CGS] Side Air Bags, [CUD] Overhead Console, [LSC] Security Alarm, [GNK] Auto Dim Mirror
	1AS07TL2AA	1	J, U					*00	After 2/9/04, With [CGS] Side Air Bags, [CUD] Overhead Console, [GNK] Auto Dim Mirror
	1AS08TL2AA	1	J, U					*00	After 2/9/04, With [CUD] Overhead Console, [LSC] Security Alarm, [GNK] Auto Dim Mirror
	1AS11TL2AA	1	J, U					*00	After 2/9/04, With [CUD] Overhead Console, [GNK] Auto Dim Mirror
	1AS19TL2AA	1	J, U					*00	After 2/9/04, With [CGS] Side Air Bags Only
	1AS21TL2AA	1	J, U					*00	After 2/9/04, With Sunroof Only
	1AS30TL2AA	1						*00	After 2/9/04, With [CGS] Side Air Bags, [CUD] Overhead Console
	1AS31TL2AA	1	J, T					*00	After 2/9/04, With [CUD] Overhead Console

LIBERTY (KJ)

SERIES LINE
P = Limited J = LHD (4WD)
H = Sport U = RHD (4WD)
M = Renegade T = LHD (2WD)

BODY
74 = 4 Door (104.3 WB)

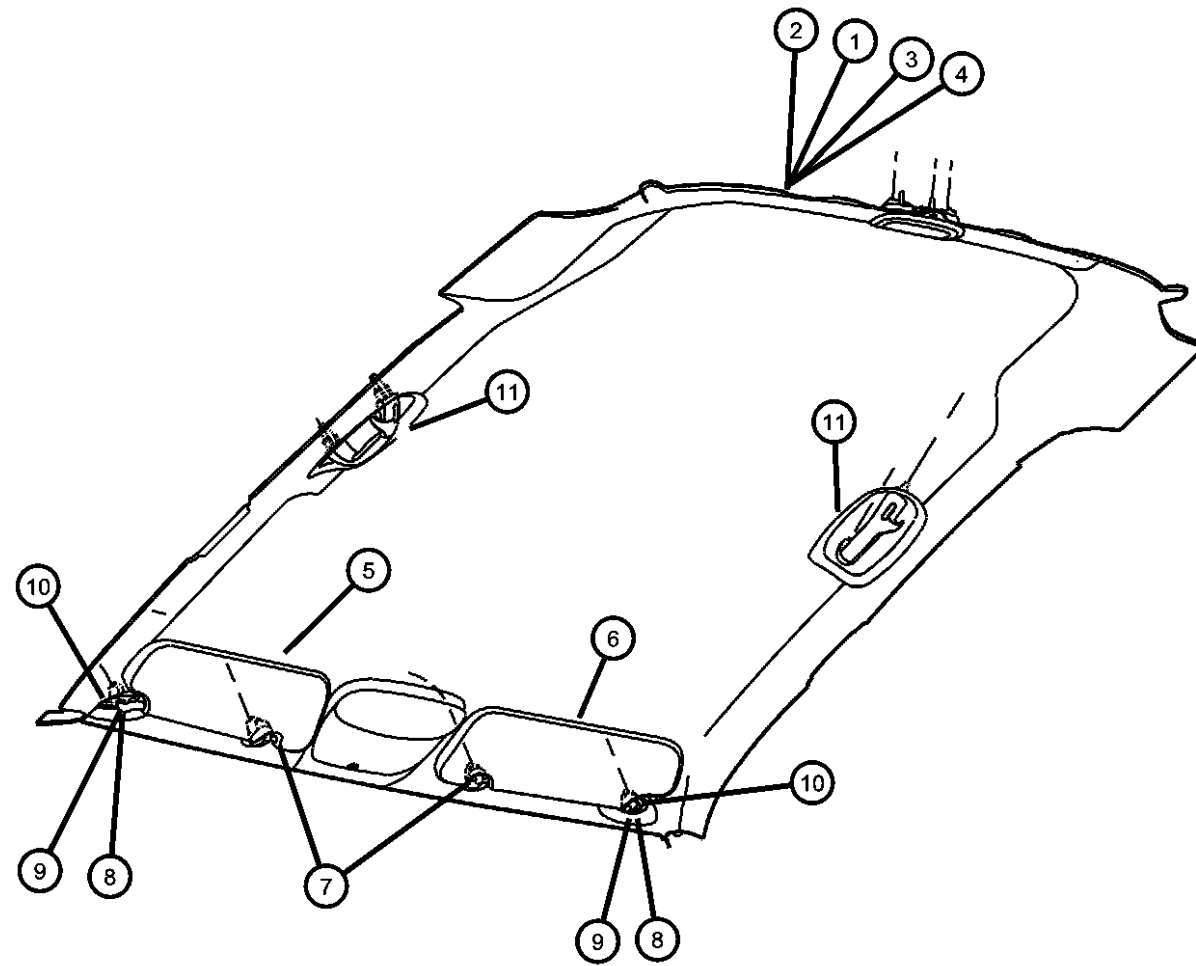
ENGINE
ED1 = Engine - 2.4L 4 Cyl DOHC 16v SMPI
EKG = Engine - 3.7L V6
ENJ = Engine -2.5L 4 Cyl 16v Turbo Diesel
ENR = Engine - 2.8L 4 Cyl Turbo Diesel
ENO = 4Cyl Turbo Diesel
EKO = All 3.7L
EDO = All 2.4L

TRANSMISSION
DDD = Transmission - 5-Speed HD Manual
DDK = Transmission - 5-Speed HD Manual
DG4 = Transmission-Multi-Speed Auto, 45RFE
DG6 = Transmission-4-Spd. Automatic, 42RLE
DGQ = Transmission-5-Spd Automatic 5-45RFE
DBB = All Manual Transmissions
DG0 = All Automatic Transmissions

AR = use ase required - = Non illustrated part

2004 KJ

Headliner and Visors
Figure IKJ-110



ITEM	PART NUMBER	QTY	LINE	SERIES	BODY	ENGINE	TRANS	TRIM	DESCRIPTION
	1AS32TL2AA	1						*O0	After 2/9/04, With [CGS] Side Air Bags, [CUD] Overhead Console, [LSC] Security Alarm
	1AS35TL2AA	1						*O0	After 2/9/04, With [CUD] Overhead Console, [LSC] Security Alarm
4									HEADLINER, Export, Without Sunroof [GWA]
	0XP841L2AA	1	J, U					*O0	Up to 2/9/04, With [CGS] Side Air Bags, [CUD] Overhead Console, [GNK] Auto Dim Mirror, [LSC] Security Alarm
	0XP881L2AA	1	J, U					*O0	Up to 2/9/04, With [CUD] Overhead Console, [GNK] Auto Dim Mirror, [LSC] Security Alarm
	0XW081L2AA	1						*O0	Up to 2/9/04, With [CUD] Overhead Console
	0XW091L2AA	1						*O0	Up to 2/9/04, With [CGS] Side Air Bags, [CUD] Overhead Console
	0XY03TL2AA	1	J, U					*O0	Up to 2/9/04, Without [CGS] Side Air Bags, [CUD] Overhead Console, [LSC] Security Alarm
	0XY051L2AA	1	J, U					*O0	Up to 2/9/04, With [CUD] Overhead Console, [GNK] Auto Dim Mirror
	0XZ11TL2AA	1	J, U					*O0	Up to 2/9/04, With [CGS] Side Air Bags Only
	0XZ211L2AA	1	J, U					*O0	Up to 2/9/04, With [CGS] Side Air Bags, [CUD] Overhead Console, [GNK] Auto Dim Mirror
	0YL031L2AA	1						*O0	Up to 2/9/04, With [CGS] Side Air Bags, [CUD] Overhead Console, [LSC] Security Alarm
	0YL091L2AA	1						*O0	Up to 2/9/04, With [CUD] Overhead Console, [LSC] Security Alarm
	1AS051L2AA	1	J, U					*O0	After 2/9/04, With [CGS] Side Air Bags, [CUD] Overhead Console, [GNK] Auto Dim Mirror, [LSC] Security Alarm

LIBERTY (KJ)

SERIES LINE
P = Limited J = LHD (4WD)
H = Sport U = RHD (4WD)
M = Renegade T = LHD (2WD)

BODY
74 = 4 Door (104.3 WB)

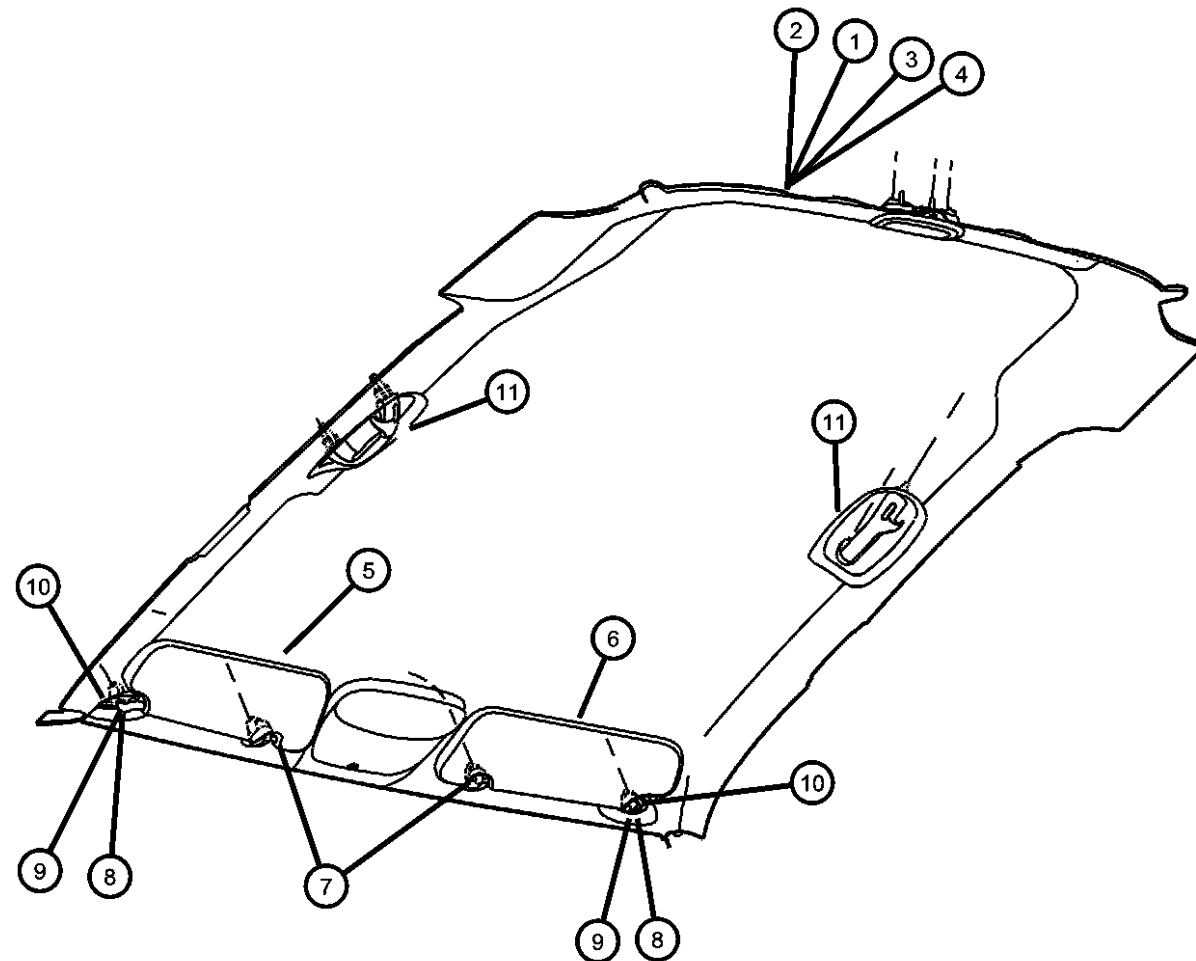
ENGINE
ED1 = Engine - 2.4L 4 Cyl DOHC 16v SMPI
EKG = Engine - 3.7L V6
ENJ = Engine -2.5L 4 Cyl 16v Turbo Diesel
ENR = Engine - 2.8L 4 Cyl Turbo Diesel
ENO = 4Cyl Turbo Diesel
EKO = All 3.7L
EDO = All 2.4L

TRANSMISSION
DDD = Transmission - 5-Speed HD Manual
DDK = Transmission - 5-Speed HD Manual
DG4 = Transmission-Multi-Speed Auto, 45RFE
DG6 = Transmission-4-Spd. Automatic, 42RLE
DGQ = Transmission-5-Spd Automatic 5-45RFE
DBB = All Manual Transmissions
DG0 = All Automatic Transmissions

AR = use ase required - = Non illustrated part

2004 KJ

Headliner and Visors
Figure IKJ-110



ITEM	PART NUMBER	QTY	LINE	SERIES	BODY	ENGINE	TRANS	TRIM	DESCRIPTION
	1AS061L2AA	1	J, U					*00	After 2/9/04, With [CGS] Side Air Bags, [CUD] Overhead Console, [GNK] Auto Dim Mirror
	1AS091L2AA	1	J, U					*00	After 2/9/04, With [CUD] Overhead Console, [GNK] Auto Dim Mirror, [LSC] Security Alarm
	1AS101L2AA	1	J, U					*00	After 2/9/04, With [CUD] Overhead Console, [GNK] Auto Dim Mirror
	1AS18TL2AA	1	J, U					*00	After 2/9/04, With [CGS] Side Air Bags Only
	1AS20TL2AA	1	J, U					*00	After 2/9/04, Without [CGS] Side Air Bags, [CUD] Overhead Console, [LSC] Security Alarm
	1AS281L2AA	1						*00	After 2/9/04, With [CUD] Overhead Console
	1AS291L2AA	1						*00	After 2/9/04, With [CGS] Side Air Bags, [CUD] Overhead Console
	1AS331L2AA	1						*00	After 2/9/04, With [CGS] Side Air Bags, [CUD] Overhead Console, [LSC] Security Alarm
	1AS381L2AA	1						*00	After 2/9/04, With [CUD] Overhead Console, [LSC] Security Alarm
5	0XN861L2AB	1						*00	Export Only, Up to 2/9/04, Right
	0ZX32TL2AA	1	J, T					*00	Without [AHM], Up to 2/9/04, Right
	0ZX341L2AA	1	J, T					*00	With [AHM], Up to 2/9/04, Right
	5KF88TL2AA	1	J, T					*00	Without [AHM], After 2/9/04, Right
	5KF90TL2AA	1						*00	Export Only, After 2/9/04, Right
		1						*00	With [AHM], After 2/9/04, Right
6	0XN871L2AB	1	J, U					*00	Export Only, Up to 2/9/04, Left
	0ZX33TL2AA	1	J, T					*00	Without [AHM], Up to 2/9/04, Left
	0ZX351L2AA	1	J, T					*00	With [AHM], Up to 2/9/04, Left
	5KF89TL2AA	1	J, T					*00	Without [AHM], After 2/9/04, Left

LIBERTY (KJ)

SERIES LINE
P = Limited J = LHD (4WD)
H = Sport U = RHD (4WD)
M = Renegade T = LHD (2WD)

BODY
74 = 4 Door (104.3 WB)

ENGINE
ED1 = Engine - 2.4L 4 Cyl DOHC 16v SMPI
EKG = Engine - 3.7L V6
ENJ = Engine -2.5L 4 Cyl 16v Turbo Diesel
ENR = Engine - 2.8L 4 Cyl Turbo Diesel
ENO = 4Cyl Turbo Diesel
EKO = All 3.7L
EDO = All 2.4L

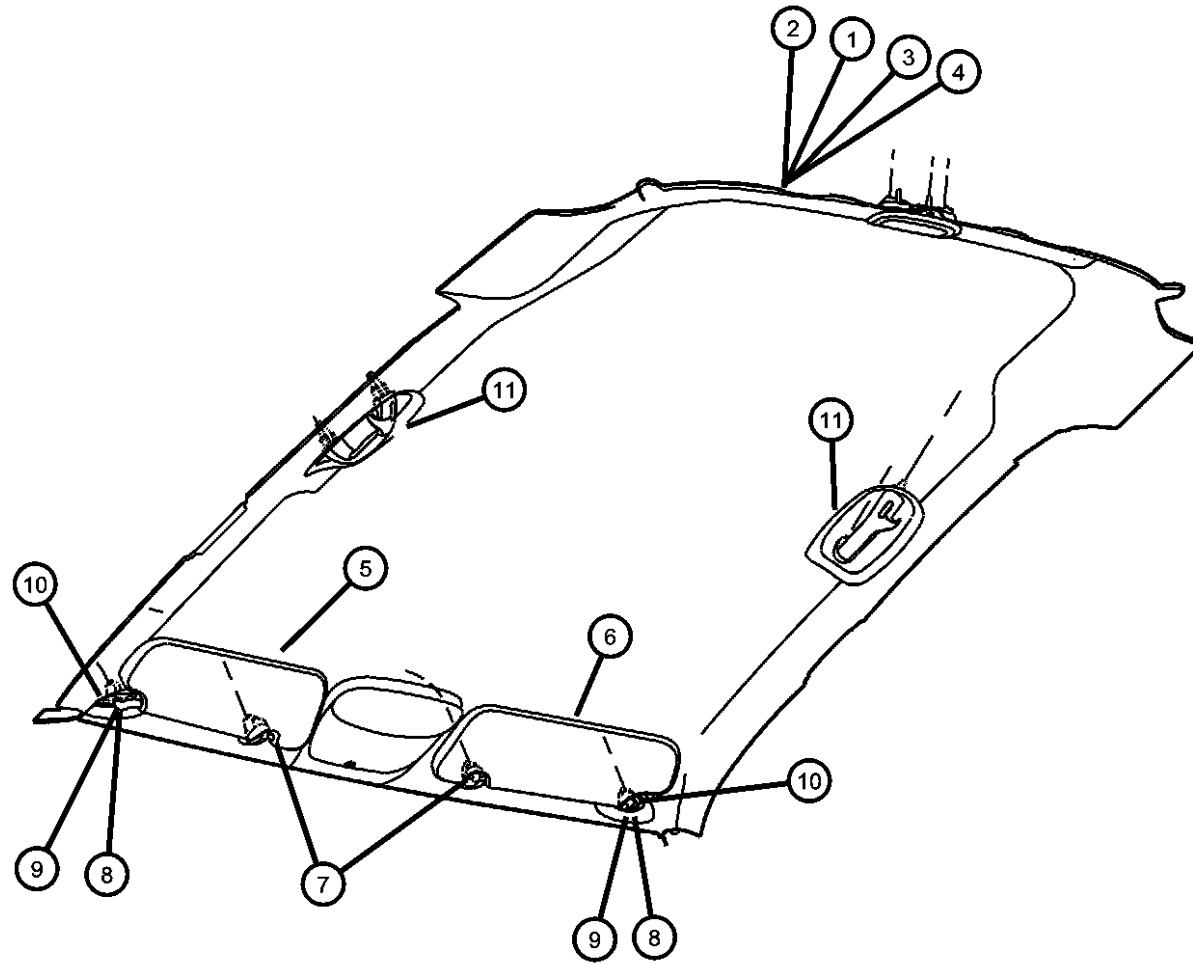
TRANSMISSION
DDD = Transmission - 5-Speed HD Manual
DDK = Transmission - 5-Speed HD Manual
DG4 = Transmission-Multi-Speed Auto, 45RFE
DG6 = Transmission-4-Spd. Automatic, 42RLE
DGQ = Transmission-5-Spd Automatic 5-45RFE
DBB = All Manual Transmissions
DG0 = All Automatic Transmissions

AR = use ase required - = Non illustrated part

2004 KJ

**Headliner and Visors
Figure IKJ-110**

ITEM	PART NUMBER	QTY	LINE	SERIES	BODY	ENGINE	TRANS	TRIM	DESCRIPTION
	5KF91TL2AA	1	J, U					*00	With [AHM], After 2/9/04, Left
		1	J, U					*00	Export Only, After 2/9/04, Left
7									SUPPORT, Visor
	0XP97TL2AA	2						*00	Up to 2/9/04
	1AR26TL2AA	2						*00	After 2/9/04
8	05072343AA	2						*00	CLIP, Visor, Use Up To 2/19/04
9	05140534AA	2						*00	SPACER, Visor, Use After 2/19/04
10	06034912	4						*00	SCREW, Pan Head, .19-16x.75
11									HANDLE, Roof Grab
	0UY681L2AA	1						*00	Right
	0UY691L2AA	1						*00	Left
-12	04897875AA	2	J, U					*00	LABEL, Air Bag Warning, Export Only
-13	05108000AA	1	J, T					*00	LABEL, Air Bag Warning, CANADA ONLY
-14	55352825AA	1							LABEL, Warning, CANADA ONLY, High Risk Roll Over, French and English



LIBERTY (KJ)

SERIES LINE
P = Limited J = LHD (4WD)
H = Sport U = RHD (4WD)
M = Renegade T = LHD (2WD)

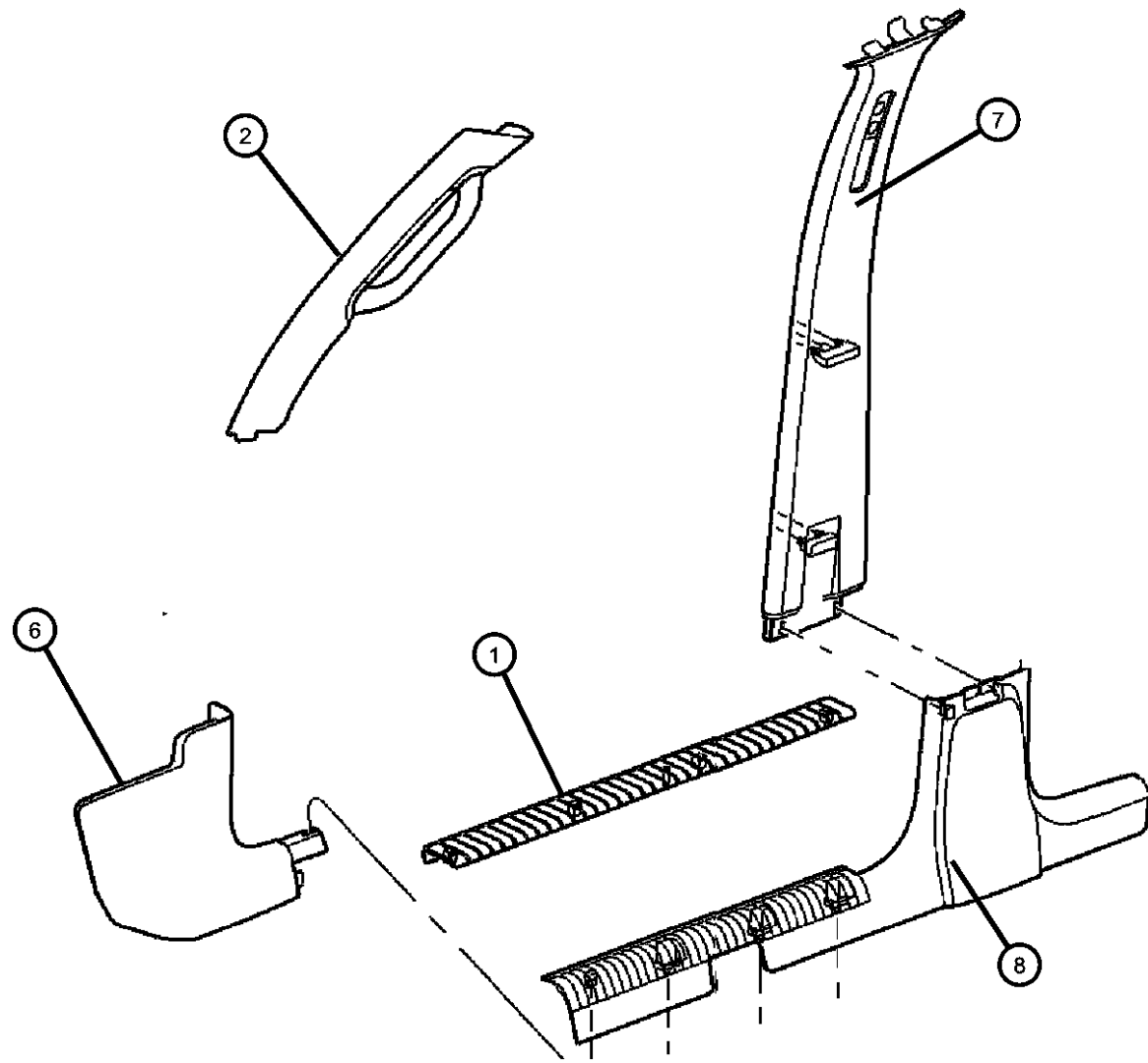
BODY
74 = 4 Door (104.3 WB)

ENGINE
ED1 = Engine - 2.4L 4 Cyl DOHC 16v SMPI
EKG = Engine - 3.7L V6
ENJ = Engine -2.5L 4 Cyl 16v Turbo Diesel
ENR = Engine - 2.8L 4 Cyl Turbo Diesel
ENO = 4Cyl Turbo Diesel
EK0 = All 3.7L
EDO = All 2.4L

TRANSMISSION
DDD = Transmission - 5-Speed HD Manual
DDK = Transmission - 5-Speed HD Manual
DG4 = Transmission-Multi-Speed Auto, 45RFE
DG6 = Transmission-4-Spd. Automatic, 42RLE
DGQ = Transmission-5-Spd Automatic 5-45RFE
DBB = All Manual Transmissions
DG0 = All Automatic Transmissions

AR = use ase required - = Non illustrated part

**Panels, Interior Trim, Front
Figure IKJ-210**



ITEM	PART NUMBER	QTY	LINE	SERIES	BODY	ENGINE	TRANS	TRIM	DESCRIPTION
1									PLATE, Scuff
	55352778AC	1							Right Front
	55352779AE	1							Left Front
2									PANEL, A Pillar Trim
	5GM92TL2AI	1						*O0	Right
	5GM93TL2AI	1						*O0	Left
-3	05140693AA	1	J, T, U		74			*O0	CLIP, A Pillar Trim Panel Attaching Clip
-4	05175099AA	1	J, T, U		74			*O0	CLIP, Trim Panel, A Pillar Trim Panel Attaching Clip
-5	06505852AA	1	J, T, U		74			*O0	CLIP, Trim Panel, A Pillar Trim Panel Attaching Clip
6									PANEL, Cowl Side Trim
	5GE62WL5AH	1						*O0	[L2, L5], Right
	5GE62XD-VAH	1						*O0	[D2, DV], Right
	5GE67WL5AI	1						*O0	[L2, L5], Left
	5GE67XDVAI	1						*O0	[D2, DV], Left
7									COVER, B Pillar Trim Panel
	5GE60WL5AL	1						*O0	[L2, L5], Right
	5GE60XDVAL	1						*O0	[D2, DV], Right
	5GE61WL5AL	1						*O0	[L2, L5], Left
	5GE61XDVAL	1						*O0	[D2, DV], Left
8									PANEL, Side Sill
	5GG22WL5AK	1						*O0	[L2, L5], Right
	5GG23XDVAL	1						*O0	[D2, DV], Left
	5GG22XD-VAK	1						*O0	[D2, DV], Right
	5GG23WL5AL	1						*O0	[L2, L5], Left

LIBERTY (KJ)

SERIES	LINE
P = Limited	J = LHD (4WD)
H = Sport	U = RHD (4WD)
M = Renegade	T = LHD (2WD)

BODY
74 = 4 Door (104.3 WB)

ENGINE
ED1 = Engine - 2.4L 4 Cyl DOHC 16v SMPI
EKG = Engine - 3.7L V6
ENJ = Engine -2.5L 4 Cyl 16v Turbo Diesel
ENR = Engine - 2.8L 4 Cyl Turbo Diesel
ENO = 4Cyl Turbo Diesel
EKO = All 3.7L
EDO = All 2.4L

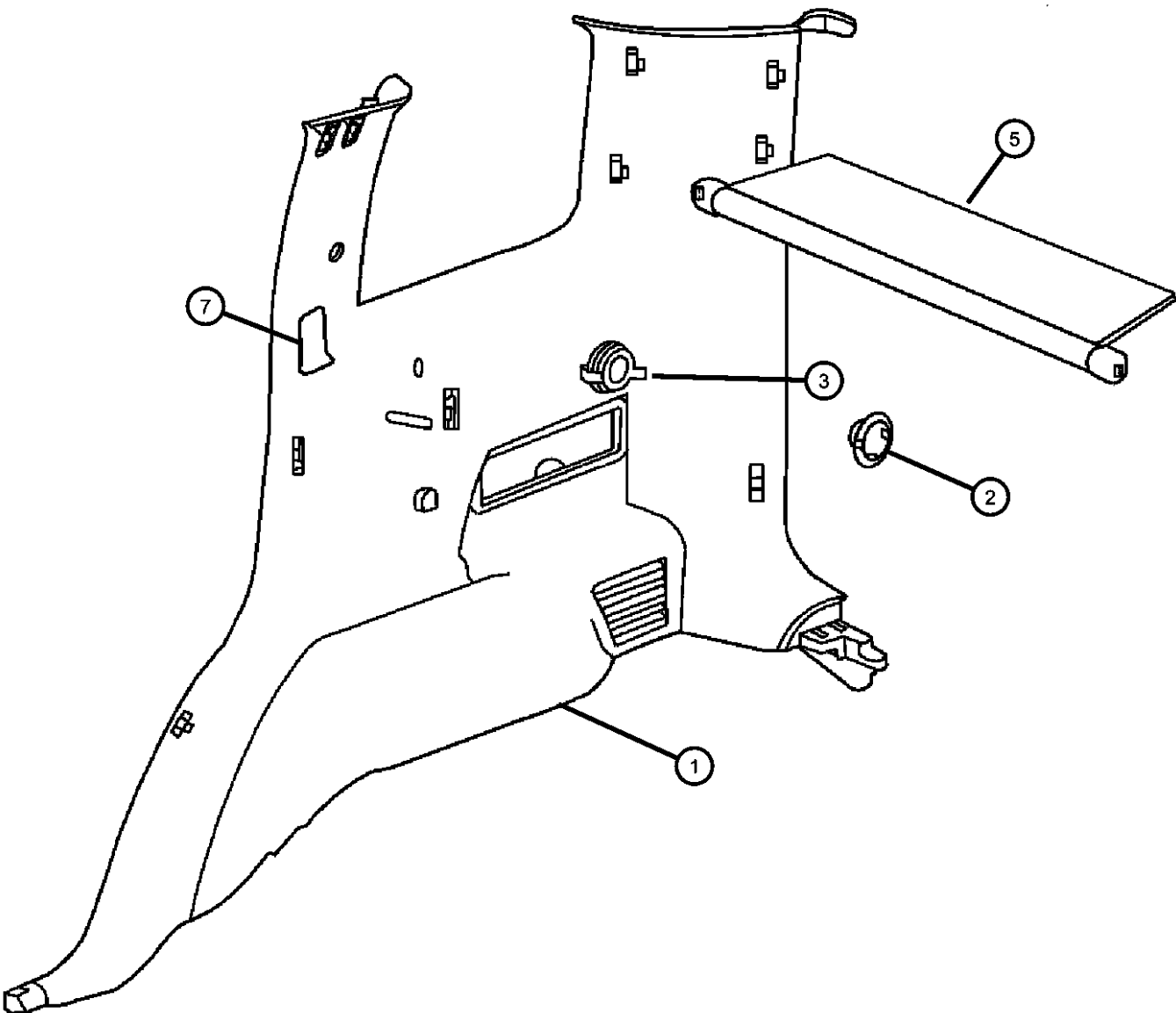
TRANSMISSION
DDD = Transmission - 5-Speed HD Manual
DDK = Transmission - 5-Speed HD Manual
DG4 = Transmission-Multi-Speed Auto, 45RFE
DG6 = Transmission-4-Spd. Automatic, 42RLE
DGQ = Transmission-5-Spd Automatic 5-45RFE
DBB = All Manual Transmissions
DG0 = All Automatic Transmissions

AR = use ase required - = Non illustrated part

2004 KJ

Panels, Interior Trim, Rear
Figure IKJ-220

ITEM	PART NUMBER	QTY	LINE	SERIES	BODY	ENGINE	TRANS	TRIM	DESCRIPTION
1									PANEL, Quarter Trim
	5HG52WL5AO	1						*00	[L2, L5], Right
	5HG52XD-VAO	1						*00	[D2, DV], Right
	5HG55WL5AO	1						*00	[L2, L5], With CD Changer Opening, Right
	5HG55XD-VAO	1						*00	[D2, DV], With CD Changer Opening, Right
	5HG56WL5AO	1						*00	[L2, L5], With Trim Panel Net, Right
	5HG56XD-VAO	1						*00	[D2, DV], With Trim Panel Net, Right
	5HG57WL5AO	1						*00	[L2, L5], Left
	5HG57XD-VAO	1						*00	[D2, DV], Left
2									PLUG, Quarter Trim Panel
	5HH32WL5AA	1						*00	[L2, L5]
	5HH32XDVAA	1						*00	[D2, DV]
3	04793554AB	1						*00	POWER OUTLET
-4	04685668AA	1						*00	MOUNT, Power Outlet
5									COVER, Cargo Compartment
	5JM751DVAA	1						*00	[D2, DV]
	5JM751L5AA	1						*00	[L2, L5]
-6									BEZEL, Interior trim, Surrounds [CD] Changer
	0WL87WL5AA	1						*00	[L2, L5]
	0WL87XD-VAA	1						*00	[D2, DV]
7									COVER, C Pillar
	0WR16WL5AA	1						*00	[L2, L5], Right
	0WR16XD-VAA	1						*00	[D2, DV], Right
	0WR17WL5AA	1						*00	[L2, L5], Left
	0WR17XD-VAA	1						*00	[D2, DV], Left

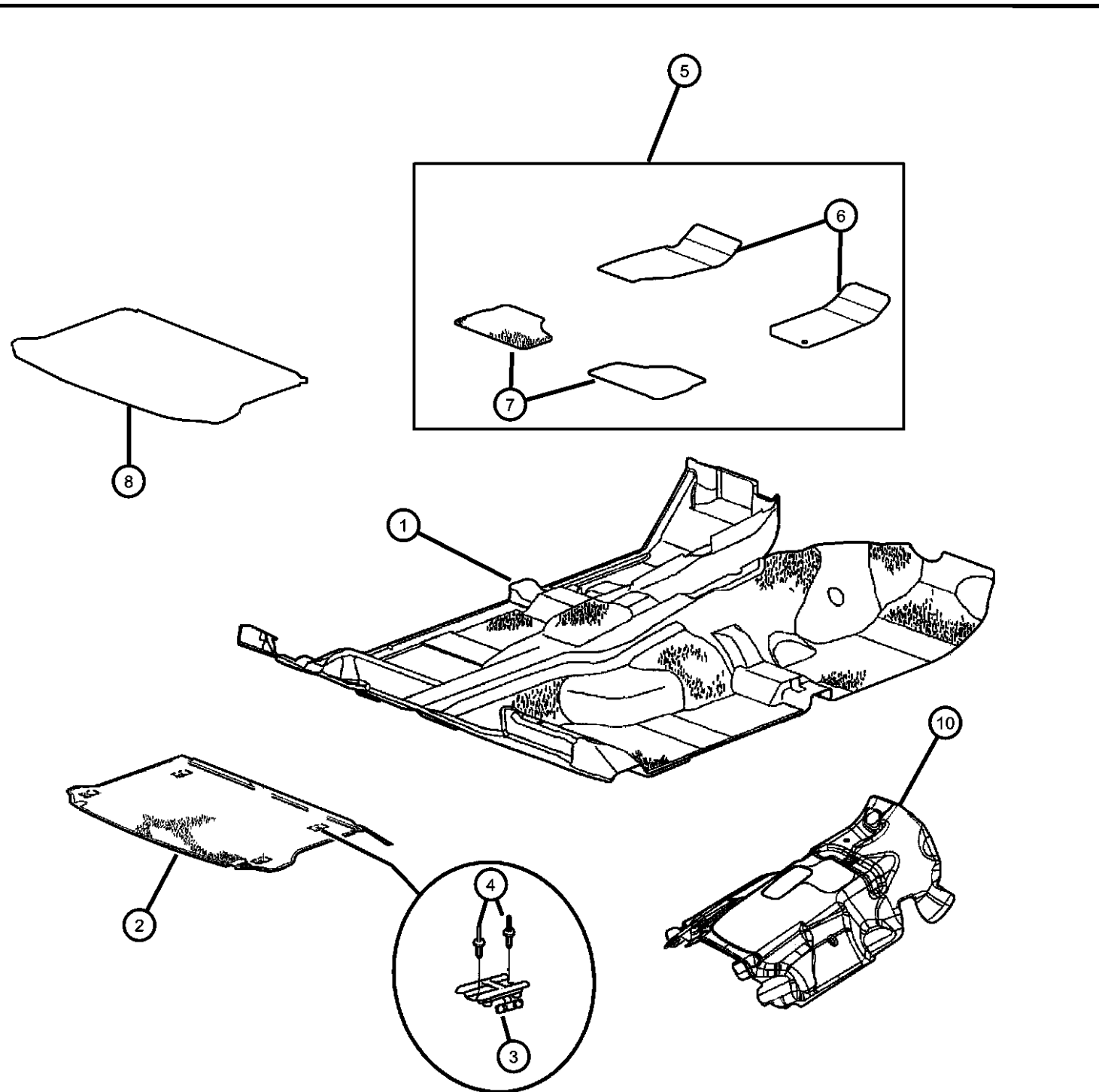


LIBERTY (KJ)

SERIES	LINE	BODY	ENGINE	TRANSMISSION
P = Limited	J = LHD (4WD)	74 = 4 Door (104.3 WB)	ED1 = Engine - 2.4L 4 Cyl DOHC 16v SMPI	DDD = Transmission - 5-Speed HD Manual
H = Sport	U = RHD (4WD)		EKG = Engine - 3.7L V6	DDK = Transmission - 5-Speed HD Manual
M = Renegade	T = LHD (2WD)		ENJ = Engine -2.5L 4 Cyl 16V Turbo Diesel	DG4 = Transmission-Multi-Speed Auto, 45RFE
			ENR = Engine - 2.8L 4 Cyl Turbo Diesel	DG6 = Transmission-4-Spd. Automatic, 42RLE
			ENO = 4Cyl Turbo Diesel	DGQ = Transmission-5-Spd Automatic 5-45RFE
			EK0 = All 3.7L	DBB = All Manual Transmissions
			ED0 = All 2.4L	DG0 = All Automatic Transmissions

AR = use ase required - = Non illustrated part

Carpets and Mats
Figure IKJ-310



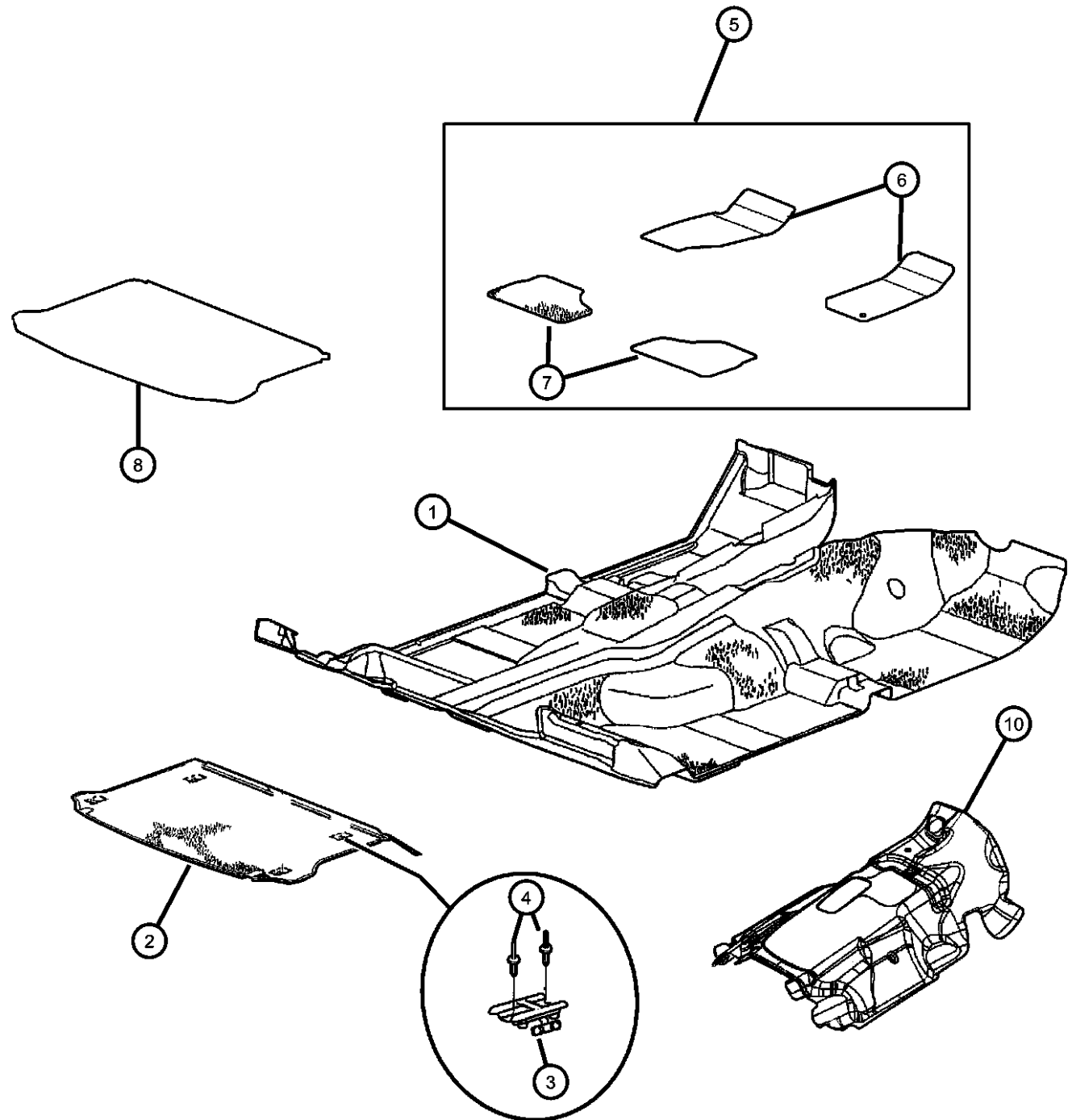
ITEM	PART NUMBER	QTY	LINE	SERIES	BODY	ENGINE	TRANS	TRIM	DESCRIPTION
1	5GF83WL8AH	1	J, T					*O0	CARPET, Front Floor [L2, L5], Without Footrest, With Vinyl Heel Pad, With Manual Transmission
	5GF83XDVAH	1	J, T					*O0	[D2, DV], Without Footrest, With Vinyl Heel Pad, With Manual Transmission
	5GF86WL8AI	1	U					*O0	[L2, L5], Without Footrest, With Manual Transmission
	5GF86XDVAI	1	U					*O0	[D2, DV], Without Footrest, With Manual Transmission
	5GU95WL8AH	1	J, T					*O0	[L2, L5], With Footrest, With Vinyl Heel Pad, With Automatic Transmission
	5GU95XDVAH	1	J, T					*O0	[D2, DV], With Footrest, With Vinyl Heel Pad, With Automatic Transmission
	5GV15WL8AI	1	U					*O0	[L2, L5], With Footrest, With Automatic Transmission
	5GV15XDVAI	1	U					*O0	[D2, DV], With Footrest, With Automatic Transmission
	5JH17WL8AD	1	J, T					*O0	[L2, L5], With Footrest, Without Vinyl Heel Pad, With Automatic Transmission
	5JH17XDVAD	1	J, T					*O0	[D2, DV], With Footrest, Without Vinyl Heel Pad, With Automatic Transmission
	5JH18WL8AD	1	J, T					*O0	[L2, L5], Without Footrest, Without Vinyl Heel Pad, With Manual Transmission
	5JH18XDVAD	1	J, T					*O0	[D2, DV], Without Footrest, Without Vinyl Heel Pad, With Manual Transmission
	5JR01WL8AA	1	J, T					*O0	[L2, L5], With Footrest, Without Vinyl Heel Pad, With 2.8L Diesel
	5JR01XDVAA	1	J, T					*O0	[D2, DV], With Footrest, Without Vinyl Heel Pad, With 2.8L Diesel
	5JR08WL8AA	1	U					*O0	[L2, L5], With Footrest, With 2.8L Diesel
	5JR08XDVAA	1	U					*O0	[DV], With Footrest, With 2.8L Diesel

2 CARPET, Cargo Floor, Includes Cargo Tie Down Hooks

LIBERTY (KJ)				
SERIES	LINE	BODY	ENGINE	TRANSMISSION
P = Limited	J = LHD (4WD)	74 = 4 Door (104.3 WB)	ED1 = Engine - 2.4L 4 Cyl DOHC 16v SMPI	DDD = Transmission - 5-Speed HD Manual
H = Sport	U = RHD (4WD)		EKG = Engine - 3.7L V6	DDK = Transmission - 5-Speed HD Manual
M = Renegade	T = LHD (2WD)		ENJ = Engine -2.5L 4 Cyl 16v Turbo Diesel	DG4 = Transmission-Multi-Speed Auto, 45RFE
			ENR = Engine - 2.8L 4 Cyl Turbo Diesel	DG6 = Transmission-4-Spd. Automatic, 42RLE
			ENO = 4Cyl Turbo Diesel	DGQ = Transmission-5-Spd Automatic 5-45RFE
			EKO = All 3.7L	DBB = All Manual Transmissions
			EDO = All 2.4L	DG0 = All Automatic Transmissions

AR = use ase required - = Non illustrated part

**Carpets and Mats
Figure IKJ-310**

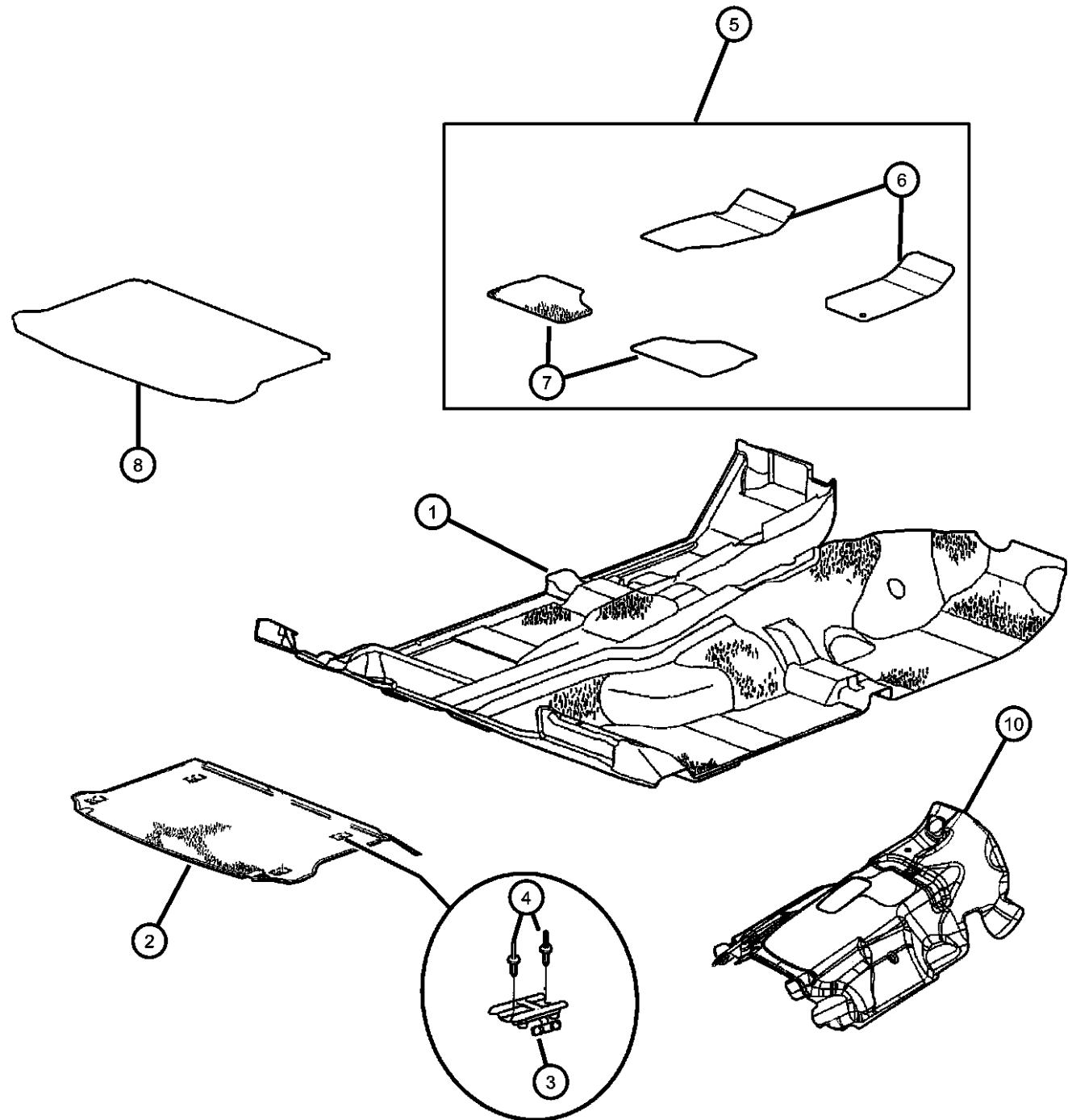


ITEM	PART NUMBER	QTY	LINE	SERIES	BODY	ENGINE	TRANS	TRIM	DESCRIPTION
	5GF79WL8AG	1						*O0	[L2, L5]
	5GF79XD-VAG	1						*O0	[D2, DV]
3	05086138AA	4						*O0	LOOP, Cargo Tie Down
4	06036484AA	8							RIVET, Blind Bulb, Open
5									MAT KIT, Floor - Complete, Export Only
	82206858	1	J, T	H, M, P	74				Dark Taupe, Without Footrest
	82206859	1	J, T	H, M, P	74				Dark Slate, Without Footrest
	82206860	1	U	H, P	74				Dark Taupe, Without Footrest
	82206861	1	U	H, P	74				Dark Slate, Without Footrest
	82207377	1	J, T		74				Dark Taupe, With Footrest
	82207378	1	J, T		74				Dark Slate, With Footrest
	82207379	1	U		74				Dark Taupe, With Footrest
	82207380	1	U		74				Dark Slate, With Footrest
6									MAT KIT, Floor - Front
	82206004	1							Dark Slate, Slush, Urethane
	82206005	1							Taupe, Slush, Urethane
	82206851	1	J, T		74				[L2, L5], Dark Taupe
	82206852	1	J, T		74				[DV, D2], Dark Slate
	82206853	1	U	H, P	74				Dark Taupe
	82206854	1	U	H, P	74				Dark Slate
	82207356	1							Dark Slate, Slush, Urethane, Export
	82207357	1							Taupe, Slush, Urethane, Export
7									MAT KIT, Floor - Rear
	82206006	1							Dark Slate, Slush, Urethane
	82206007	1							Taupe, Slush, Urethane
	82206856	1							[L2, L5], Dark Taupe
	82206857	1							[DV, D2], Dark Slate

LIBERTY (KJ)					
SERIES	LINE	BODY	ENGINE	TRANSMISSION	
P = Limited	J = LHD (4WD)	74 = 4 Door (104.3 WB)	ED1 = Engine - 2.4L 4 Cyl DOHC 16v SMPI	DDD = Transmission - 5-Speed HD Manual	
H = Sport	U = RHD (4WD)		EKG = Engine - 3.7L V6	DDK = Transmission - 5-Speed HD Manual	
M = Renegade	T = LHD (2WD)		ENJ = Engine - 2.5L 4 Cyl 16V Turbo Diesel	DG4 = Transmission-Multi-Speed Auto, 45RFE	
			ENR = Engine - 2.8L 4 Cyl Turbo Diesel	DG6 = Transmission-4-Spd. Automatic, 42RLE	
			ENO = 4Cyl Turbo Diesel	DGQ = Transmission-5-Spd Automatic 5-45RFE	
			EKO = All 3.7L	DBB = All Manual Transmissions	
			EDO = All 2.4L	DG0 = All Automatic Transmissions	

AR = use ase required - = Non illustrated part

**Carpets and Mats
Figure IKJ-310**



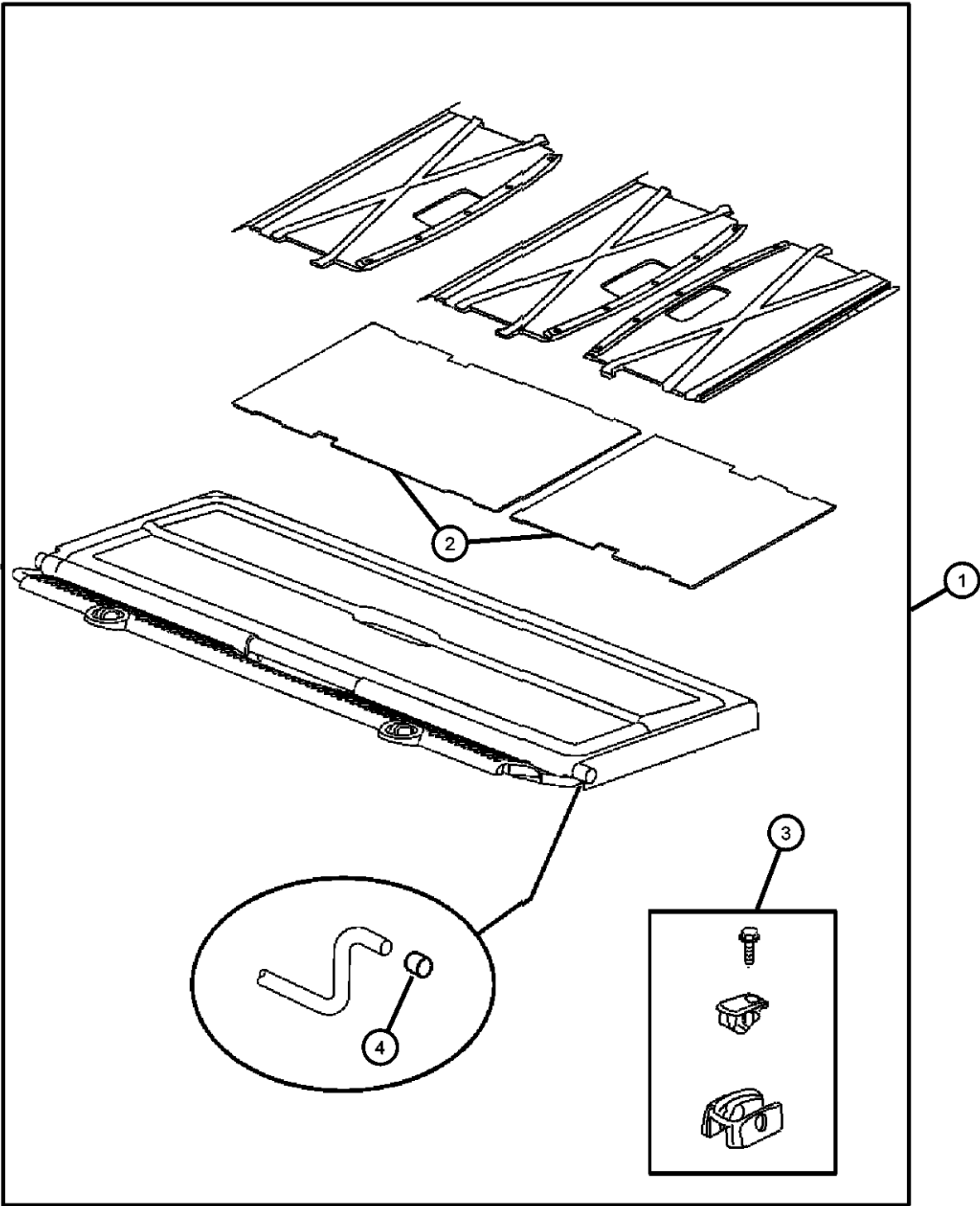
ITEM	PART NUMBER	QTY	LINE	SERIES	BODY	ENGINE	TRANS	TRIM	DESCRIPTION
8	82206761	1							MAT KIT, Bed - Interior, One piece mat folds at rear seat and flexes with seats when layed flat or in up position.
-9	05086365AA	1	J, T					*O0	CLIP, Floor Mat Retention
		1	U					*O0	
10	55352864AB	1							PAD, Tunnel
-11	55352898AB	1							SILENCER, Floor Pan, 2.8 Diesel Only
	55352899AB	1							Right
									Left

LIBERTY (KJ)				
SERIES	LINE	BODY	ENGINE	TRANSMISSION
P = Limited	J = LHD (4WD)	74 = 4 Door (104.3 WB)	ED1 = Engine - 2.4L 4 Cyl DOHC 16v SMPI	DDD = Transmission - 5-Speed HD Manual
H = Sport	U = RHD (4WD)		EKG = Engine - 3.7L V6	DDK = Transmission - 5-Speed HD Manual
M = Renegade	T = LHD (2WD)		ENJ = Engine -2.5L 4 Cyl 16V Turbo Diesel	DG4 = Transmission-Multi-Speed Auto, 45RFE
			ENR = Engine - 2.8L 4 Cyl Turbo Diesel	DG6 = Transmission-4-Spd. Automatic, 42RLE
			ENO = 4Cyl Turbo Diesel	DGQ = Transmission-5-Spd Automatic 5-45RFE
			EK0 = All 3.7L	DBB = All Manual Transmissions
			ED0 = All 2.4L	DG0 = All Automatic Transmissions

AR = use ase required - = Non illustrated part

**Cargo Organizer
Figure IKJ-320**

ITEM	PART NUMBER	QTY	LINE	SERIES	BODY	ENGINE	TRANS	TRIM	DESCRIPTION
------	-------------	-----	------	--------	------	--------	-------	------	-------------



Note : Cargo Organizer and Related Parts Not Available Until February 2004.

1									ORGANIZER, CARGO
	5JK491DVAB	1						*O0	[DV, D2]
	5JK491L5AB	1						*O0	[L2, L5]
2									MAT, Storage Tray
	05114524AA	1						*O0	Right
	05114525AA	1						*O0	Left
3	05114585AA	2						*O0	MOUNT KIT
4	05114584AA	2						*O0	CAP, Rubber

LIBERTY (KJ)

SERIES LINE
P = Limited J = LHD (4WD)
H = Sport U = RHD (4WD)
M = Renegade T = LHD (2WD)

BODY
74 = 4 Door (104.3 WB)

ENGINE
ED1 = Engine - 2.4L 4 Cyl
DOHC 16v SMPI
EKG = Engine - 3.7L V6
ENJ = Engine -2.5L 4 Cyl 16V
Turbo Diesel
ENR = Engine - 2.8L 4 Cyl
Turbo Diesel
ENO = 4Cyl Turbo Diesel
EKO = All 3.7L
EDO = All 2.4L

TRANSMISSION
DDD = Transmission - 5-Speed HD
Manual
DDK = Transmission - 5-Speed HD
Manual
DG4 = Transmission-Multi-Speed
Auto, 45RFE
DG6 = Transmission-4-Spd.
Automatic, 42RLE
DGQ = Transmission-5-Spd Automatic
5-45RFE
DBB = All Manual Transmissions
DG0 = All Automatic Transmissions

AR = use ase required - = Non illustrated part

2004 KJ

**Trim Panel, Front Door
Figure IKJ-410**

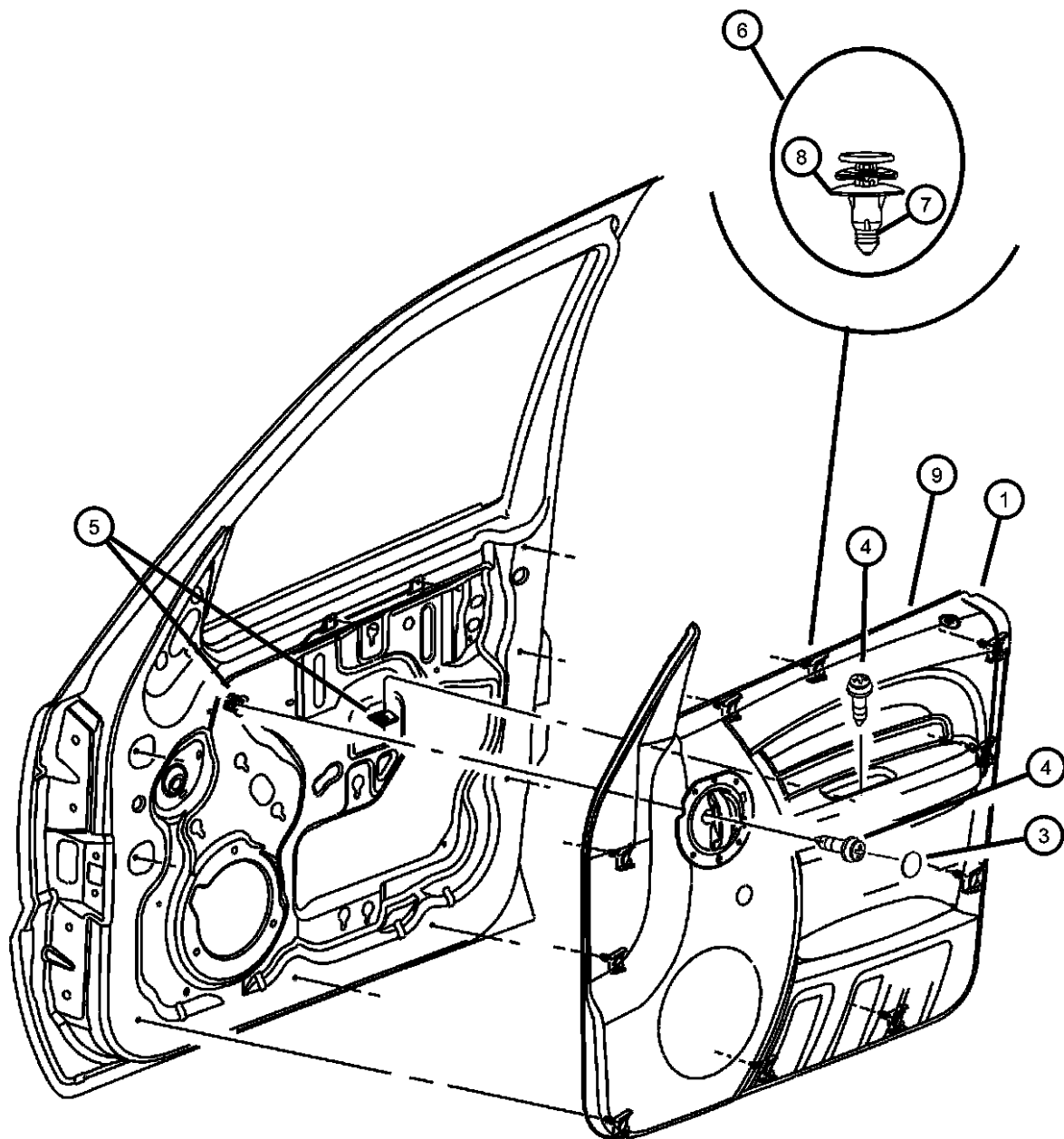
ITEM	PART NUMBER	QTY	LINE	SERIES	BODY	ENGINE	TRANS	TRIM	DESCRIPTION
------	-------------	-----	------	--------	------	--------	-------	------	-------------

Sales Codes:

[CBF] = Premium Cloth Bolster, Bright Door Handle

[CTC] = Leather

[CTL] = Base, Cloth Bolster, Color Keyed Door Handle



1									PANEL, Front Door Trim, Includes Door Handle and Clips
	0YB40WL5AA	1	J, T					*O0	[L5], With Power Locks Only, With Sales Code [CTL], Right
	0YB43WL5AA	1	J, T					*O0	[L5], With Power Windows and Locks, With Sales Code [CTL], Left
	0YB43XDVAA	1	J, T					*O0	[DV], With Power Windows and Locks, With Sales Code [CTL], Left
	0YC06WL5AA	1	U					*O0	[L5], With Power Windows and Locks, With Sales Code [CTL], Right
	0YC06XDVAA	1	U					*O0	[DV], With Power Windows and Locks, With Sales Code [CTL], Right
	0YB40XDVAA	1	J, T					*O0	[DV], With Power Locks Only, With Sales Code [CTL], Right
	0YB41WL5AA	1	J, T					*O0	[L5], With Power Locks Only, With Sales Code [CTL], Left
	0YB41XDVAA	1	J, T					*O0	[DV], With Power Locks Only, With Sales Code [CTL], Left
	0YB42WL5AA	1	J, T					*O0	[L5], With Power Windows and Locks, With Sales Code [CTL], Right
	0YB42XDVAA	1	J, T					*O0	[DV], With Power Windows and Locks, With Sales Code [CTL], Right
	0YC081L2AA	1	J, T					*O0	[L2], With Sales Codes [CBF] and [CTC], With Chrome Door Lock Bezel, Right
	0YC07WL5AA	1	U					*O0	[L5], With Power Windows and Locks, With Sales Code [CTL], Left
	0YC07XDVAA	1	U					*O0	[DV], With Power Windows and Locks, With Sales Code [CTL], Left

LIBERTY (KJ)

SERIES

P = Limited
H = Sport
M = Renegade

LINE

J = LHD (4WD)
U = RHD (4WD)
T = LHD (2WD)

BODY

74 = 4 Door (104.3 WB)

ENGINE

ED1 = Engine - 2.4L 4 Cyl DOHC 16v SMPI
EKG = Engine - 3.7L V6
ENJ = Engine -2.5L 4 Cyl 16v Turbo Diesel
ENR = Engine - 2.8L 4 Cyl Turbo Diesel
ENO = 4Cyl Turbo Diesel
EKO = All 3.7L
EDO = All 2.4L

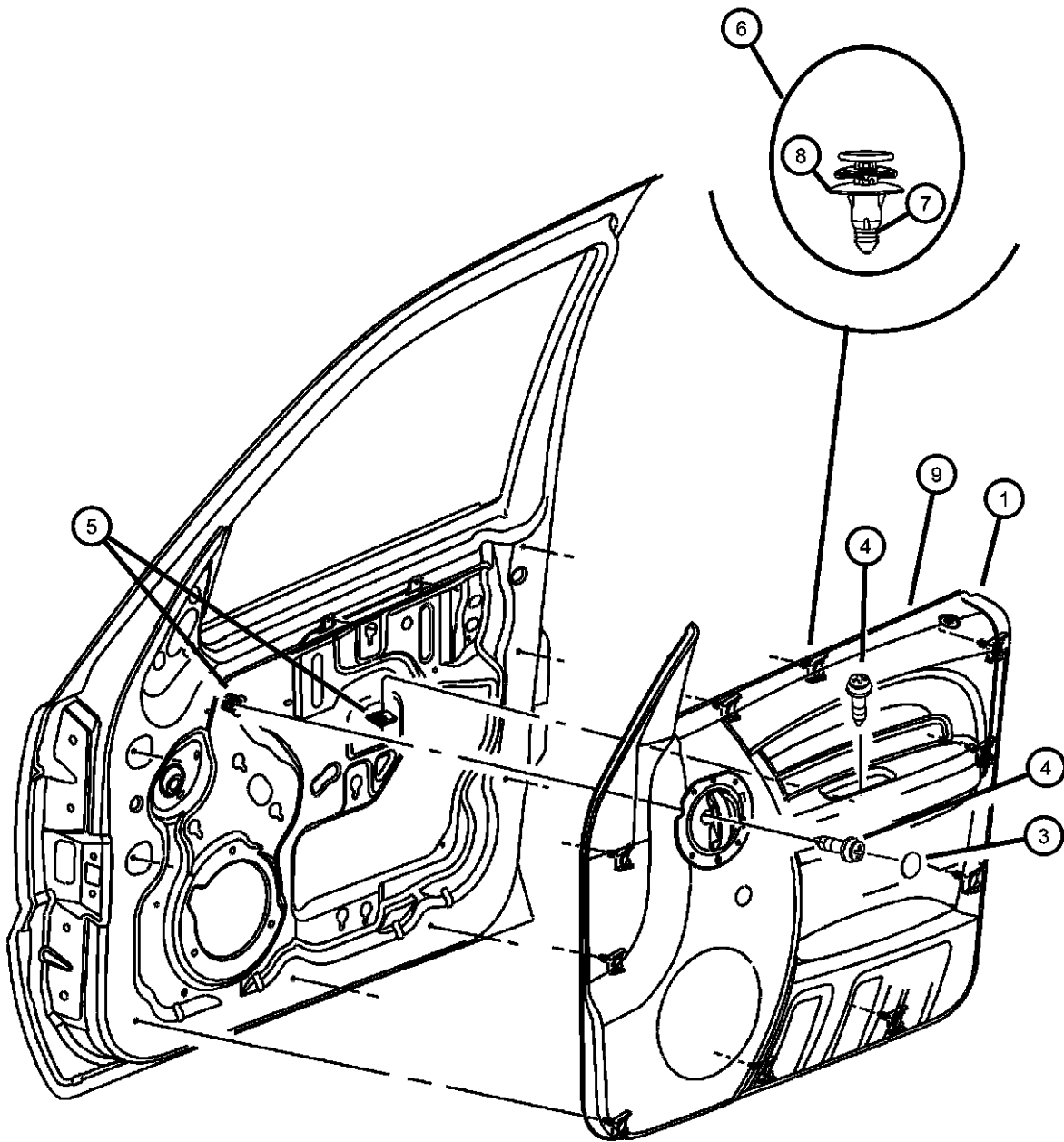
TRANSMISSION

DDD = Transmission - 5-Speed HD Manual
DDK = Transmission - 5-Speed HD Manual
DG4 = Transmission-Multi-Speed Auto, 45RFE
DG6 = Transmission-4-Spd. Automatic, 42RLE
DGQ = Transmission-5-Spd Automatic 5-45RFE
DBB = All Manual Transmissions
DG0 = All Automatic Transmissions

AR = use ase required - = Non illustrated part

2004 KJ

**Trim Panel, Front Door
Figure IKJ-410**



ITEM	PART NUMBER	QTY	LINE	SERIES	BODY	ENGINE	TRANS	TRIM	DESCRIPTION
	0YC081D2AA	1	J, T					*00	[D2], With Sales Codes [CBF] and [CTC], With Chrome Door Lock Bezel, Right
	0YC081DVAA	1	J, T					*00	[DV], With Sales Codes [CBF] and [CTC], With Chrome Door Lock Bezel, Right
	0YC081L5AA	1	J, T					*00	[L5], With Sales Codes [CBF] and [CTC], With Chrome Door Lock Bezel, Right
	0YC091D2AA	1	J, T					*00	[D2], With Sales Codes [CBF] and [CTC], With Chrome Door Lock Bezel, Left
	0YC091DVAA	1	J, T					*00	[DV], With Sales Codes [CBF] and [CTC], With Chrome Door Lock Bezel, Left
	0YC091L2AA	1	J, T					*00	[L2], With Sales Codes [CBF] and [CTC], With Chrome Door Lock Bezel, Left
	0YC091L5AA	1	J, T					*00	[L5], With Sales Codes [CBF] and [CTC], With Chrome Door Lock Bezel, Left
	0YC101L2AA	1	U					*00	[L2], With Sales Code [CBF], With Chrome Door Lock Bezel, Right
	0YC101L5AA	1	U					*00	[L5], With Sales Code [CBF], With Chrome Door Lock Bezel, Right
	0YC111DVAA	1	U					*00	[DV], With Sales Code [CBF], With Chrome Door Lock Bezel, Left
	0YC111L2AA	1	U					*00	[L2], With Sales Code [CBF], With Chrome Door Lock Bezel, Left
	0YC111L5AA	1	U					*00	[L5], With Sales Code [CBF], With Chrome Door Lock Bezel, Left
	1AE101D2AA	1	J, T					*00	[D2], With Sales Codes [CBF] and [CTC], With Color Keyed Door Lock Bezel, Right
	0YC101DVAA	1	U					*00	[DV], With Sales Code [CBF], With Chrome Door Lock Bezel, Right

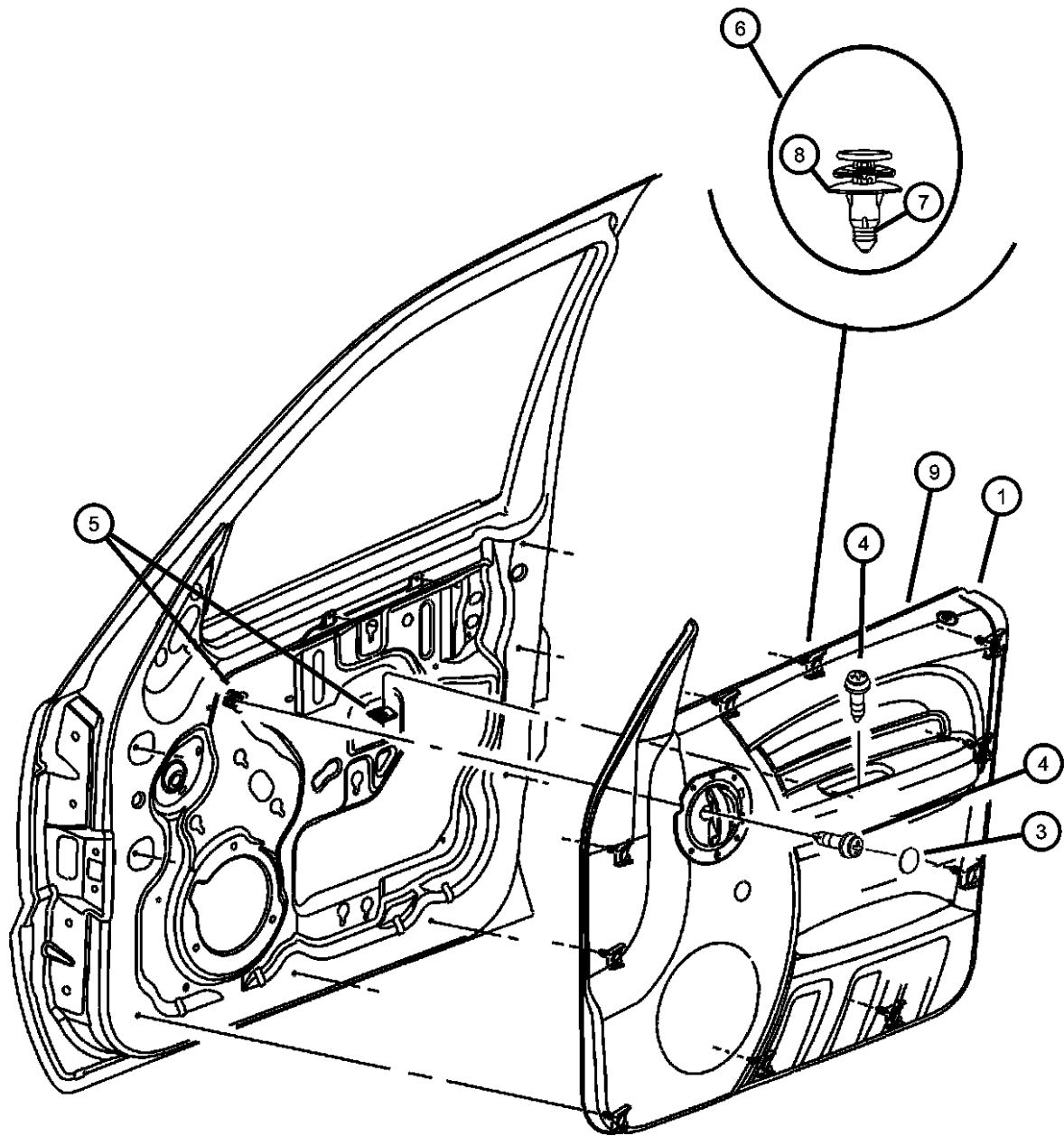
LIBERTY (KJ)

SERIES	LINE	BODY	ENGINE	TRANSMISSION
P = Limited	J = LHD (4WD)	74 = 4 Door (104.3 WB)	ED1 = Engine - 2.4L 4 Cyl DOHC 16v SMPI	DDD = Transmission - 5-Speed HD Manual
H = Sport	U = RHD (4WD)		EKG = Engine - 3.7L V6	DDK = Transmission - 5-Speed HD Manual
M = Renegade	T = LHD (2WD)		ENJ = Engine -2.5L 4 Cyl 16v Turbo Diesel	DG4 = Transmission-Multi-Speed Auto, 45RFE
			ENR = Engine - 2.8L 4 Cyl Turbo Diesel	DG6 = Transmission-4-Spd. Automatic, 42RLE
			ENO = 4Cyl Turbo Diesel	DGQ = Transmission-5-Spd Automatic 5-45RFE
			EKO = All 3.7L	DBB = All Manual Transmissions
			EDO = All 2.4L	DG0 = All Automatic Transmissions

AR = use ase required - = Non illustrated part

**Trim Panel, Front Door
Figure IKJ-410**

ITEM	PART NUMBER	QTY	LINE	SERIES	BODY	ENGINE	TRANS	TRIM	DESCRIPTION
	1AE101DVAA	1	J, T					*00	[DV], With Sales Codes [CBF] and [CTC], With Color Keyed Door Lock Bezel, Right
	1AE101L2AA	1	J, T					*00	[L2], With Sales Codes [CBF] and [CTC], With Color Keyed Door Lock Bezel, Right
	1AE111D2AA	1	J, T					*00	[D2], With Sales Codes [CBF] and [CTC], With Color Keyed Door Lock Bezel, Left
	1AE111DVAA	1	J, T					*00	[DV], With Sales Codes [CBF] and [CTC], With Color Keyed Door Lock Bezel, Left
	1AE111L2AA	1	J, T					*00	[L2], With Sales Codes [CBF] and [CTC], With Color Keyed Door Lock Bezel, Left
	1AE111L5AA	1	J, T					*00	[L5], With Sales Codes [CBF] and [CTC], With Color Keyed Door Lock Bezel, Left
	1AE121DVAA	1	U					*00	[DV], With Sales Code [CBF], With Color Keyed Door Lock Bezel, Right
	1AE121L2AA	1	U					*00	[L2], With Sales Code [CBF], With Color Keyed Door Lock Bezel, Right
	1AE121L5AA	1	U					*00	[L5], With Sales Code [CBF], With Color Keyed Door Lock Bezel, Right
	1AE131DVAA	1	U					*00	[DV], With Sales Code [CBF], With Color Keyed Door Lock Bezel, Left
	1AE131L2AA	1	U					*00	[L2], With Sales Code [CBF], With Color Keyed Door Lock Bezel, Left
	1AE131L5AA	1	U					*00	[L5], With Sales Code [CBF], With Color Keyed Door Lock Bezel, Left
	1AE101L5AA	1	J, T					*00	[L5], With Sales Codes [CBF] and [CTC], With Color Keyed Door Lock Bezel, Right
	5GF01XDVAP	1						*00	[DV], Without Power, With Sales Code [CTL], Left



LIBERTY (KJ)

SERIES

P = Limited
H = Sport
M = Renegade

LINE

J = LHD (4WD)
U = RHD (4WD)
T = LHD (2WD)

BODY

74 = 4 Door (104.3 WB)

ENGINE

ED1 = Engine - 2.4L 4 Cyl DOHC 16v SMPI
EKG = Engine - 3.7L V6
ENJ = Engine -2.5L 4 Cyl 16v Turbo Diesel
ENR = Engine - 2.8L 4 Cyl Turbo Diesel
ENO = 4Cyl Turbo Diesel
EKO = All 3.7L
EDO = All 2.4L

TRANSMISSION

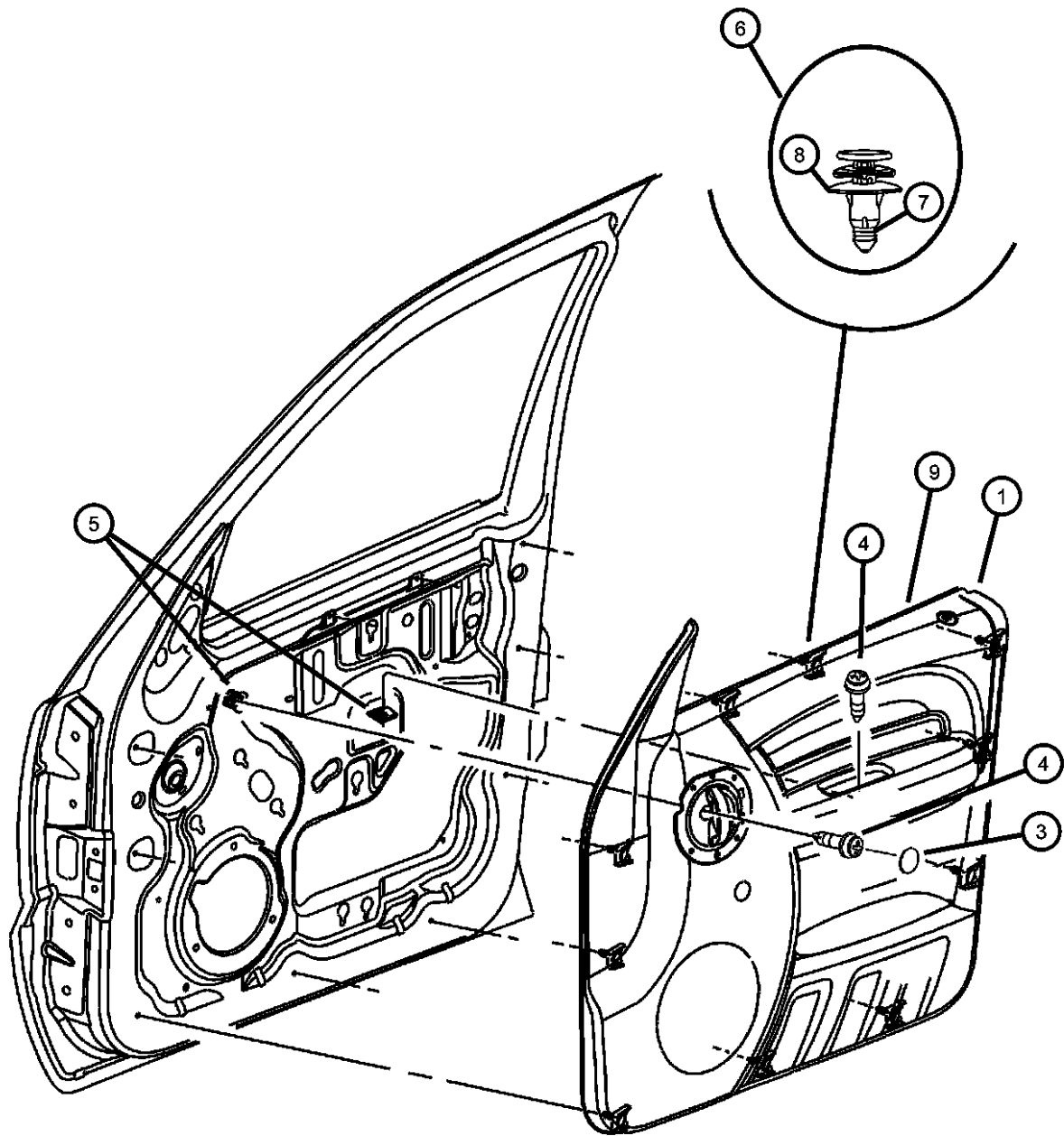
DDD = Transmission - 5-Speed HD Manual
DDK = Transmission - 5-Speed HD Manual
DG4 = Transmission-Multi-Speed Auto, 45RFE
DG6 = Transmission-4-Spd. Automatic, 42RLE
DGQ = Transmission-5-Spd Automatic 5-45RFE
DBB = All Manual Transmissions
DG0 = All Automatic Transmissions

AR = use ase required - = Non illustrated part

2004 KJ

**Trim Panel, Front Door
Figure IKJ-410**

ITEM	PART NUMBER	QTY	LINE	SERIES	BODY	ENGINE	TRANS	TRIM	DESCRIPTION
	5GF00WL5AP	1						*00	[L5], Without Power, With Sales Code [CTL], Right
	5GF00XDVAP	1						*00	[DV], Without Power, With Sales Code [CTL], Right
	5GF01WL5AP	1						*00	[L5], Without Power, With Sales Code [CTL], Left
-2	04658676	2						*00	CLIP, Latch Link
3									PLUG, Door Trim Panel
	5GY30WL5AA	2						*00	[L2, L5]
	5GY30XDVAA	2						*00	[D2, DV]
4	5GY30XDVAA	2							SCREW, .164-18x1.00, (NOT SERVICED), NUT, Spring, .16-18
5	00152490	2							
6	05023173AA	11						*00	RETAINER, Trim Panel, Grommet and Pin
7	55235878AC	1						*00	WEATHERSTRIP, Door Belt MouldingRight & Left



LIBERTY (KJ)

SERIES

P = Limited
H = Sport
M = Renegade

LINE

J = LHD (4WD)
U = RHD (4WD)
T = LHD (2WD)

BODY

74 = 4 Door (104.3 WB)

ENGINE

ED1 = Engine - 2.4L 4 Cyl
DOHC 16v SMPI
EKG = Engine - 3.7L V6
ENJ = Engine -2.5L 4 Cyl 16V
Turbo Diesel
ENR = Engine - 2.8L 4 Cyl
Turbo Diesel
ENO = 4Cyl Turbo Diesel
EKO = All 3.7L
EDO = All 2.4L

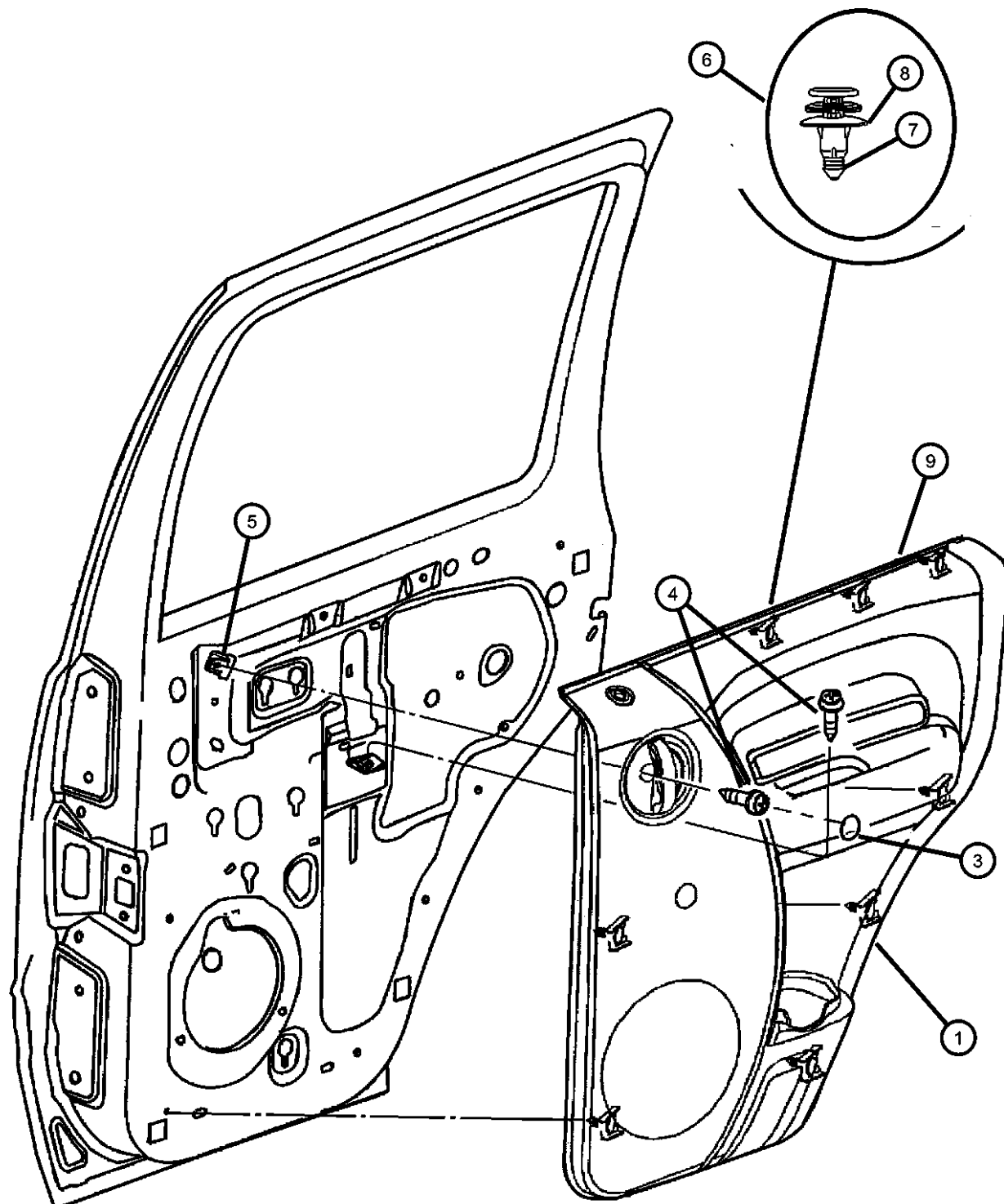
TRANSMISSION

DDD = Transmission - 5-Speed HD
Manual
DDK = Transmission - 5-Speed HD
Manual
DG4 = Transmission-Multi-Speed
Auto, 45RFE
DG6 = Transmission-4-Spd.
Automatic, 42RLE
DGQ = Transmission-5-Spd Automatic
5-45RFE
DBB = All Manual Transmissions
DG0 = All Automatic Transmissions

AR = use ase required - = Non illustrated part

2004 KJ

Trim Panel, Rear Door
Figure IKJ-420



ITEM	PART NUMBER	QTY	LINE	SERIES	BODY	ENGINE	TRANS	TRIM	DESCRIPTION
------	-------------	-----	------	--------	------	--------	-------	------	-------------

Sales Codes:
 [CBF] = Premium Vinyl Bolster, Bright Door Handle
 [CTC] = Leather
 [CTL] = Base, Vinyl Bolster, Color Keyed Door Handle

1	5GF18WL5AM	1						*00	PANEL, Rear Door Trim, Includes Door Handle
	5GF18XD-VAM	1						*00	[L5], With Sales Code [CTL], Right
	5GF19WL5AM	1						*00	[DV], With Sales Code [CTL], Right
	5GF19XD-VAM	1						*00	[L5], With Sales Code [CTL], Left
	5GF201D2AP	1						*00	[DV], With Sales Code [CTL], Left
	5GF201DVAP	1						*00	[D2], With Sales Code [CBF] or [CTC], With Chrome Door Lock Bezel, Right
	5GF201L2AP	1						*00	[DV], With Sales Code [CBF] or [CTC], With Chrome Door Lock Bezel, Right
	5GF201L5AP	1						*00	[L2], With Sales Code [CBF] or [CTC], With Chrome Door Lock Bezel, Right
	5GF201D2AS	1						*00	[L5], With Sales Code [CBF] or [CTC], With Chrome Door Lock Bezel, Right
	5GF201DVAS	1						*00	[D2], With Sales Code [CBF] or [CTC], With Color Keyed Door Lock Bezel, Right
	5GF201L2AS	1						*00	[DV], With Sales Code [CBF] or [CTC], With Color Keyed Door Lock Bezel, Right
	5GF201L5AS	1						*00	[L2], With Sales Code [CBF] or [CTC], With Color Keyed Door Lock Bezel, Right
	5GF211D2AP	1						*00	[L5], With Sales Code [CBF] or [CTC], With Color Keyed Door Lock Bezel, Right
								*00	[D2], With Sales Code [CBF] or [CTC], With Chrome Door Lock Bezel, Left

LIBERTY (KJ)

SERIES LINE
 P = Limited J = LHD (4WD)
 H = Sport U = RHD (4WD)
 M = Renegade T = LHD (2WD)

BODY
 74 = 4 Door (104.3 WB)

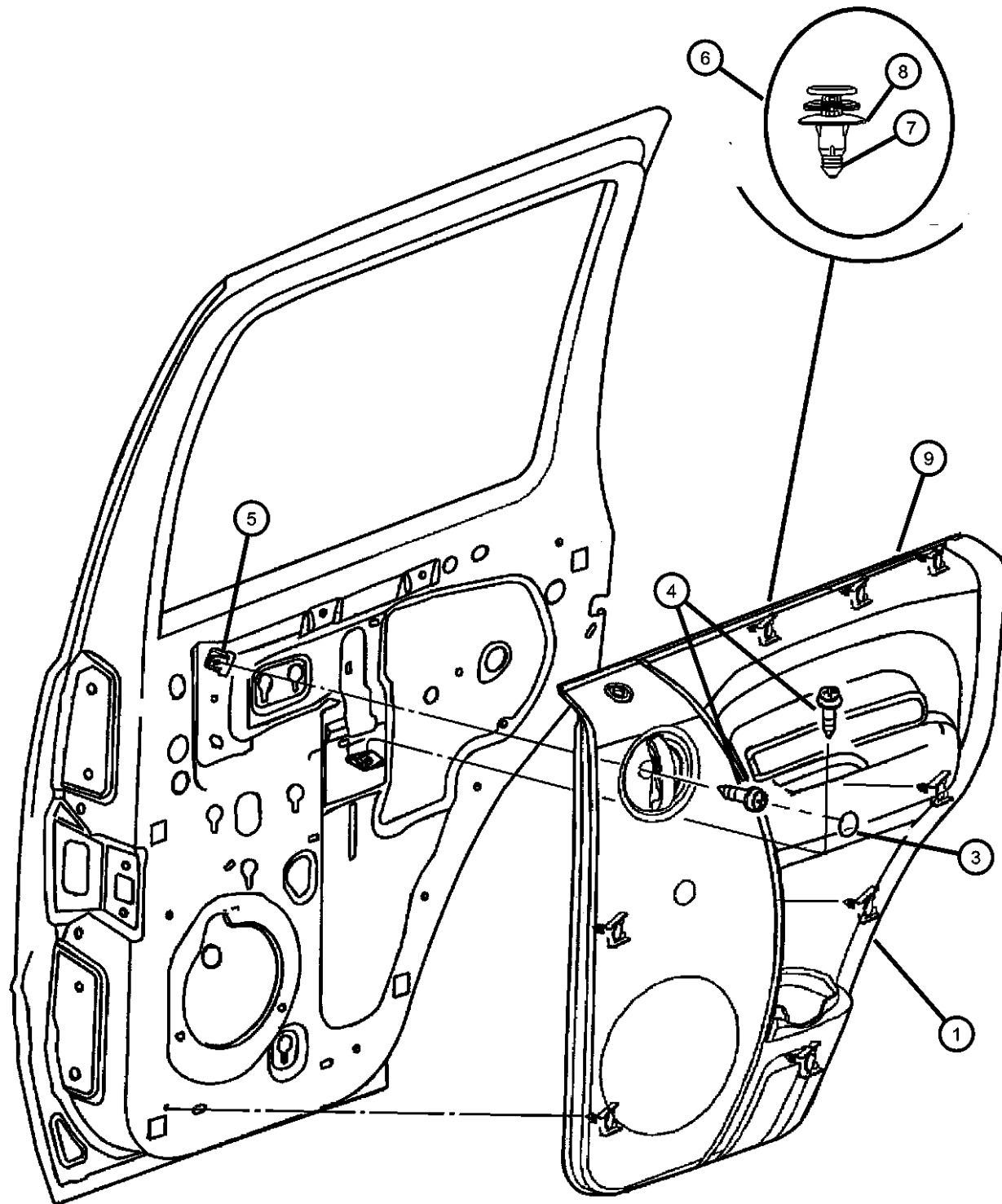
ENGINE
 ED1 = Engine - 2.4L 4 Cyl DOHC 16v SMPI
 EKG = Engine - 3.7L V6
 ENJ = Engine -2.5L 4 Cyl 16V Turbo Diesel
 ENR = Engine - 2.8L 4 Cyl Turbo Diesel
 EN0 = 4Cyl Turbo Diesel
 EK0 = All 3.7L
 ED0 = All 2.4L

TRANSMISSION
 DDD = Transmission - 5-Speed HD Manual
 DDK = Transmission - 5-Speed HD Manual
 DG4 = Transmission-Multi-Speed Auto, 45RFE
 DG6 = Transmission-4-Spd. Automatic, 42RLE
 DGQ = Transmission-5-Spd Automatic 5-45RFE
 DBB = All Manual Transmissions
 DG0 = All Automatic Transmissions

AR = use ase required - = Non illustrated part

2004 KJ

Trim Panel, Rear Door
Figure IKJ-420



ITEM	PART NUMBER	QTY	LINE	SERIES	BODY	ENGINE	TRANS	TRIM	DESCRIPTION
	5GF211DVAP	1						*00	[DV], With Sales Code [CBF] or [CTC], With Chrome Door Lock Bezel, Left
	5GF211L2AP	1						*00	[L2], With Sales Code [CBF] or [CTC], With Chrome Door Lock Bezel, Left
	5GF211L5AP	1						*00	[L5], With Sales Code [CBF] or [CTC], With Chrome Door Lock Bezel, Left
	5GF211D2AS	1						*00	[D2], With Sales Code [CBF] or [CTC], With Color Keyed Door Lock Bezel, Left
	5GF211DVAS	1						*00	[DV], With Sales Code [CBF] or [CTC], With Color Keyed Door Lock Bezel, Left
	5GF211L2AS	1						*00	[L2], With Sales Code [CBF] or [CTC], With Color Keyed Door Lock Bezel
	5GF211L5AS	1						*00	[L5], With Sales Code [CBF] or [CTC], With Color Keyed Door Lock Bezel, Left
-2	04658676	2						*00	CLIP, Latch Link, Also serviced with the Door Panel
3									PLUG, Door Trim Panel
	5GY30WL5AA	2						*00	[L2, L5]
	5GY30XDVAA	2						*00	[D2, DV]
4	5GY30XDVAA	2							SCREW, .164-18x1.00, (NOT SERVICED),
5	00152490	2							NUT, Spring, .16-18
6	05023173AA	9						*00	RETAINER, Trim Panel, Grommet and Pin
7	05023174AA	9						*00	PIN, Push, Also serviced with 5023713AA
8	05023175AA	9						*00	GROMMET, Also serviced with 5023713AA
9									WEATHERSTRIP, Door Belt Moulding
	55235886AC	1						*00	Right
	55235887AC	1						*00	Left

LIBERTY (KJ)

SERIES LINE
P = Limited J = LHD (4WD)
H = Sport U = RHD (4WD)
M = Renegade T = LHD (2WD)

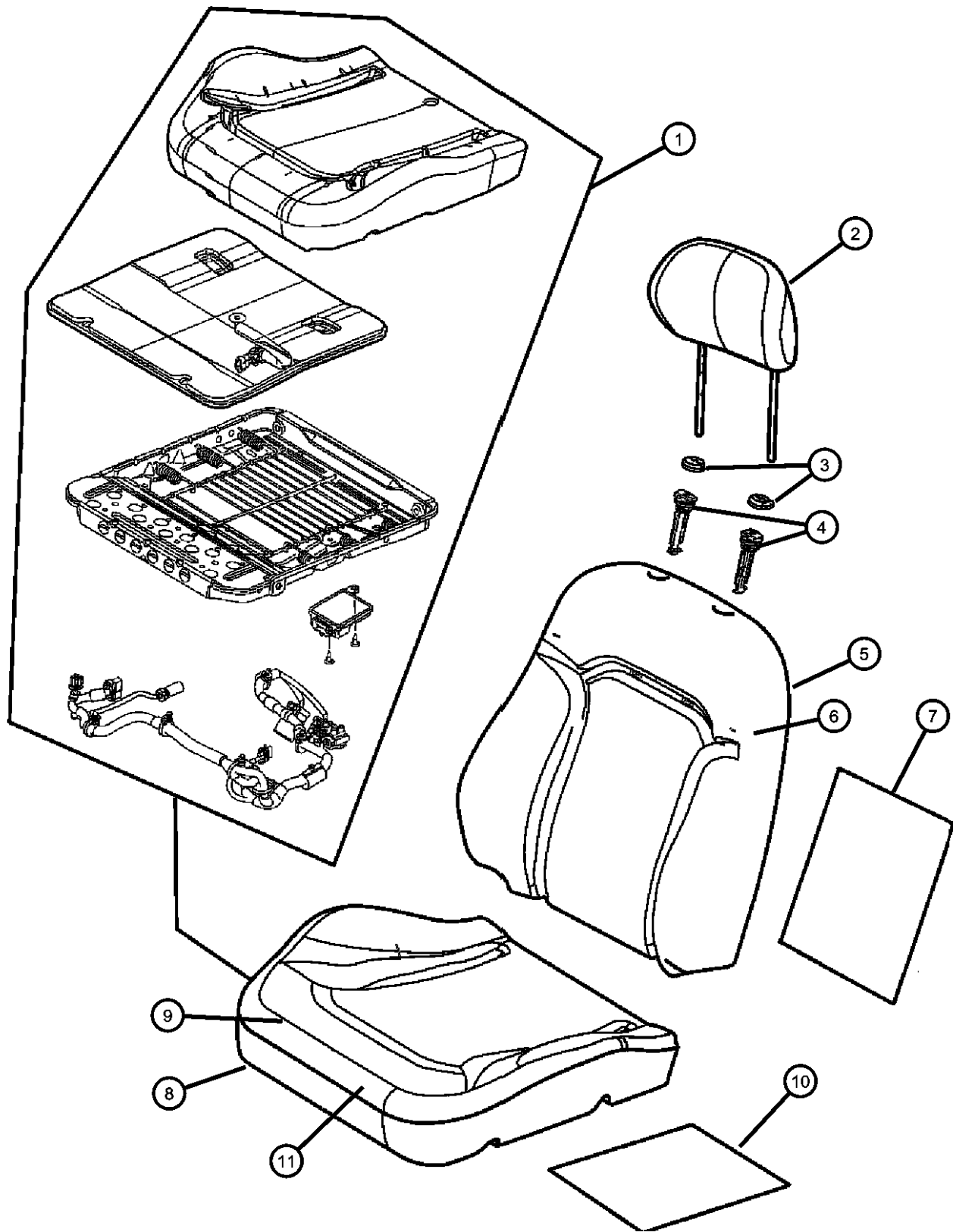
BODY
74 = 4 Door (104.3 WB)

ENGINE
ED1 = Engine - 2.4L 4 Cyl DOHC 16v SMPI
EKG = Engine - 3.7L V6
ENJ = Engine -2.5L 4 Cyl 16V Turbo Diesel
ENR = Engine - 2.8L 4 Cyl Turbo Diesel
ENO = 4Cyl Turbo Diesel
EKO = All 3.7L
EDO = All 2.4L

TRANSMISSION
DDD = Transmission - 5-Speed HD Manual
DDK = Transmission - 5-Speed HD Manual
DG4 = Transmission-Multi-Speed Auto, 45RFE
DG6 = Transmission-4-Spd. Automatic, 42RLE
DGQ = Transmission-5-Spd Automatic 5-45RFE
DBB = All Manual Transmissions
DG0 = All Automatic Transmissions

AR = use ase required - = Non illustrated part

**Front Seat, Leather, Low Back, Trim Code [DL]
Figure IKJ-510**



ITEM	PART NUMBER	QTY	LINE	SERIES	BODY	ENGINE	TRANS	TRIM	DESCRIPTION
------	-------------	-----	------	--------	------	--------	-------	------	-------------

Note; For United States/Canada vehicles only, if right side Cushion Foam is needed order Bladder Repair Kit. Do not attempt to replace the right side

1									BLADDER REPAIR KIT, Occupant Classification System, See Note, Right Side Only
	05114583AA	1	J, T					*DL	Includes Foam, Bladder, Frame, Control Module and Harness, Passenger
	05126326AA	1	J, T					*DL	Includes Foam, Bladder, Frame, Control Module and Harness for Heated Seats . Order Heater Pad Separately if Required., Passenger
2									HEADREST, Front
	0WA521DVAA	2	J, U					*DL	[DV], Export
	0WA521L2AA	2	J, T					*DL	[D2, L2],
		2	J, U					*DL	[L2], Export
3									CAP, Headrest Adjuster
	0WA491L2AA	1	J, T					*DL	[D2, L2], With Button
	0WA49TL2AA	2	J, U					*DL	[L2], With Button, Export
	0WA49XD-VAA	2	J, U					*DL	[DV], With Button, Export
	0WA501L2AA	1	J, T					*DL	[D2, L2], Without Button, Export
	0WA50TL2AA	2	J, U					*DL	[L2], Without Button, Export
	0WA50XD-VAA	2	J, U					*DL	[DV], Without Button, Export
4									SLEEVE, Headrest
	05066563AA	2	J, T					*DL	
		2	J, U					*DL	
5									BACK, Front Seat
	0ZD081L2AA	1	J, T					*DL	[L2], Non-Heated, From 1/12/04 to 3/2/04, Right
		1	J, U					*DL	[L2], Non-Heated, Export, From 1/12/04 to 3/2/04, Right
		1	J, T					*DL	[D2], Non-Heated, From 1/12/04 to 3/2/04, Right
	0ZD101L2AB	1	J, T					*DL	[D2], Heated, From 1/12/04 to 1/26/04, Right

LIBERTY (KJ)

SERIES LINE
P = Limited J = LHD (4WD)
H = Sport U = RHD (4WD)
M = Renegade T = LHD (2WD)

BODY
74 = 4 Door (104.3 WB)

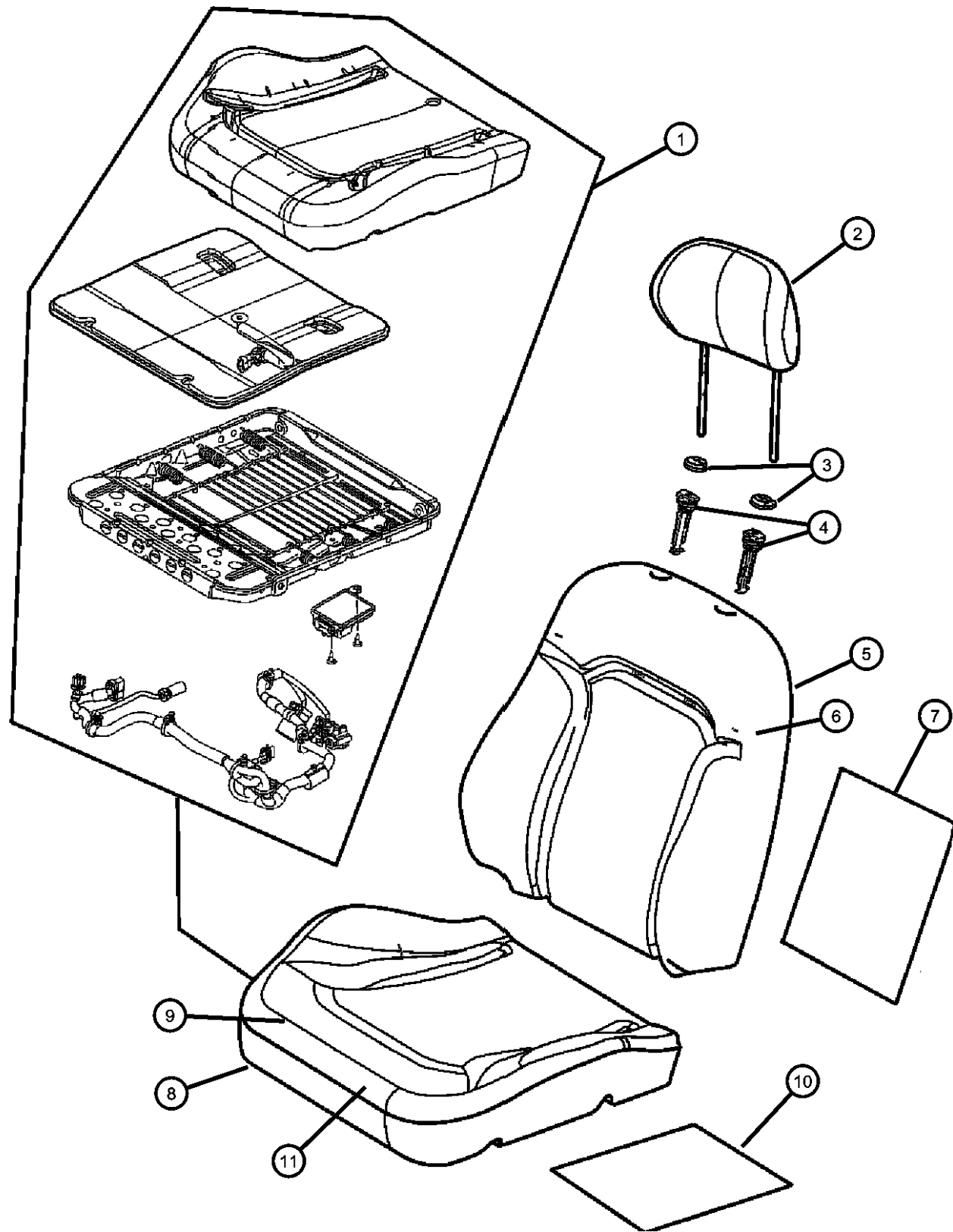
ENGINE
ED1 = Engine - 2.4L 4 Cyl DOHC 16v SMPI
EKG = Engine - 3.7L V6
ENJ = Engine -2.5L 4 Cyl 16v Turbo Diesel
ENR = Engine - 2.8L 4 Cyl Turbo Diesel
EN0 = 4Cyl Turbo Diesel
EK0 = All 3.7L
ED0 = All 2.4L

TRANSMISSION
DDD = Transmission - 5-Speed HD Manual
DDK = Transmission - 5-Speed HD Manual
DG4 = Transmission-Multi-Speed Auto, 45RFE
DG6 = Transmission-4-Spd. Automatic, 42RLE
DGQ = Transmission-5-Spd Automatic 5-45RFE
DBB = All Manual Transmissions
DG0 = All Automatic Transmissions

AR = use ase required - = Non illustrated part

2004 KJ

**Front Seat, Leather, Low Back, Trim Code [DL]
Figure IKJ-510**



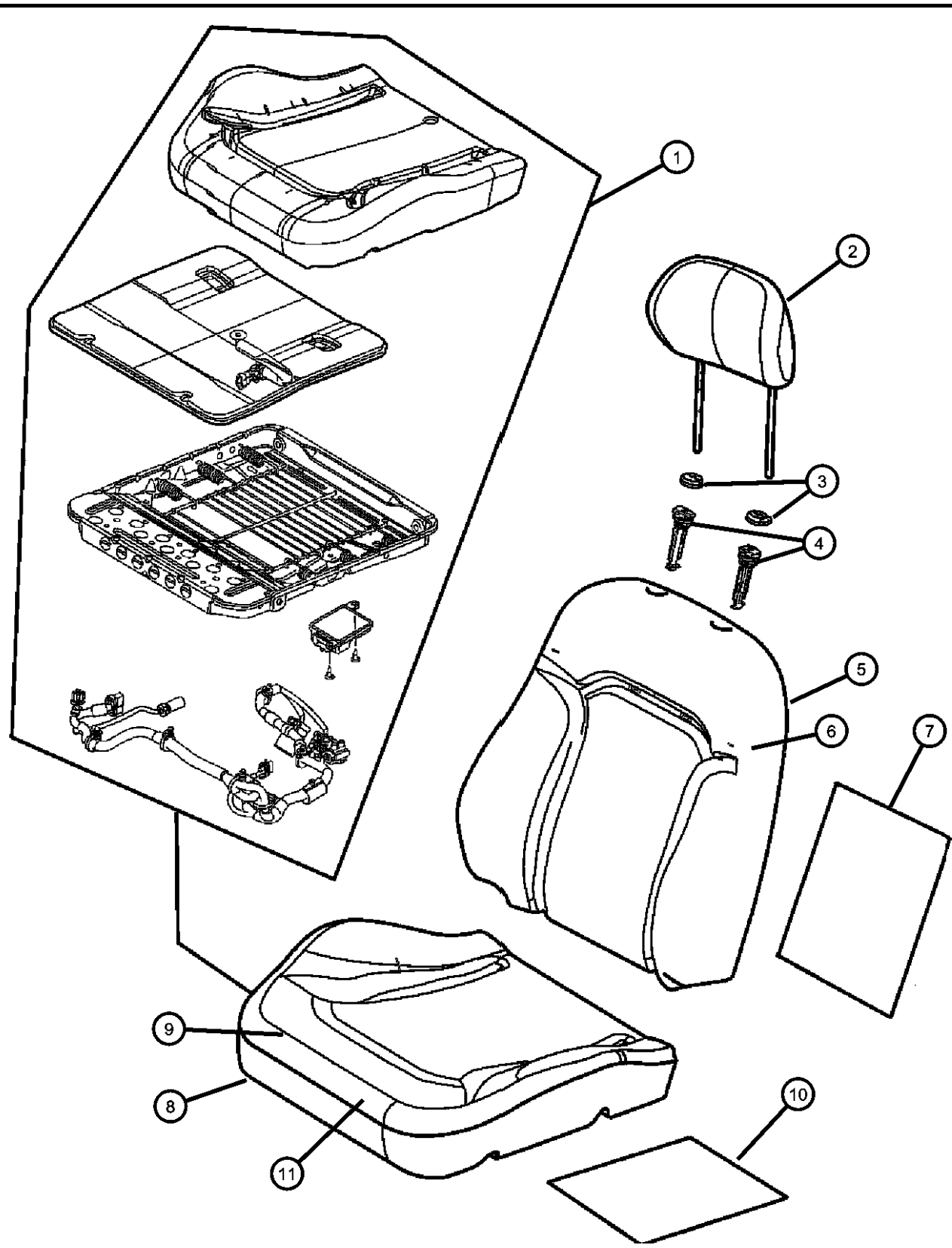
ITEM	PART NUMBER	QTY	LINE	SERIES	BODY	ENGINE	TRANS	TRIM	DESCRIPTION
		1	J, U					*DL	[L2], Heated, Export, From 1/12/04 to 1/26/04, Right
	0ZD091L2AA	1	J, T					*DL	[D2], Non-Heated, From 1/12/04 to 3/2/04, Left
		1	J, U					*DL	[L2], Non-Heated, Export, From 1/12/04 to 3/2/04, Left
		1	J, T					*DL	[L2], Non-Heated, From 1/12/04 to 3/2/04, Left
	0ZD111L2AB	1	J, U					*DL	[L2], Heated, Export, From 1/12/04 to 1/26/04, Left
		1	J, T					*DL	[D2], Heated, From 1/12/04 to 1/26/04, Left
	0ZN961DVAA	1	J, U					*DL	[DV], Heated, Export, Up to 1/26/04, Right
	0ZN961L2AA	1	J, U					*DL	[L2], Heated, Export, Up to 1/12/04, Right
		1	J, T					*DL	[L2], Heated, From 1/12/04 to 1/26/04, Right
		1	J, T					*DL	[L2], Heated, From 1/12/04 to 1/26/04, Left
	0ZN971L2AA	1	J, T					*DL	[D2], Heated, Up to 1/12/04, Left
		1	J, T					*DL	[L2], Heated, Up to 1/12/04, Left
		1	J, T					*DL	[D2], Heated, Up to 1/12/04, Right
		1	J, T					*DL	[L2], Heated, Up to 1/12/04, Right
	0ZN971DVAA	1	J, U					*DL	[DV], Heated, Export, Up to 1/26/04, Left
		1	J, U					*DL	[L2], Heated, Export, Up to 1/12/04, Left
	0ZP011L2AA	1	J, T					*DL	[L2], Non-Heated, Up to 1/12/04 and After 3/2/04, Left
		1	J, T					*DL	[D2], Non-Heated, Up to 1/12/04 and After 3/2/04, Left
	0ZP001DVAA	1	J, U					*DL	[DV], Non-Heated, Export, Right
	0ZP001L2AA	1	J, T					*DL	[L2], Non-Heated, Up to 1/12/04 and After 3/2/04, Right
		1	J, T					*DL	[D2], Non-Heated, Up to 1/12/04 and After 3/2/04, Right

LIBERTY (KJ)				
SERIES	LINE	BODY	ENGINE	TRANSMISSION
P = Limited	J = LHD (4WD)	74 = 4 Door (104.3 WB)	ED1 = Engine - 2.4L 4 Cyl DOHC 16v SMPI	DDD = Transmission - 5-Speed HD Manual
H = Sport	U = RHD (4WD)		EKG = Engine - 3.7L V6	DDK = Transmission - 5-Speed HD Manual
M = Renegade	T = LHD (2WD)		ENJ = Engine - 2.5L 4 Cyl 16v Turbo Diesel	DG4 = Transmission-Multi-Speed Auto, 45RFE
			ENR = Engine - 2.8L 4 Cyl Turbo Diesel	DG6 = Transmission-4-Spd. Automatic, 42RLE
			ENO = 4Cyl Turbo Diesel	DGQ = Transmission-5-Spd Automatic 5-45RFE
			EKO = All 3.7L	DBB = All Manual Transmissions
			EDO = All 2.4L	DG0 = All Automatic Transmissions

AR = use ase required - = Non illustrated part

Front Seat, Leather, Low Back, Trim Code [DL]

Figure IKJ-510



ITEM	PART NUMBER	QTY	LINE	SERIES	BODY	ENGINE	TRANS	TRIM	DESCRIPTION
		1	J, U					*DL	[L2], Non-Heated, Export, Up to 1/12/04 and After 3/2/04, Right
	0ZP011DVAA	1	J, U					*DL	[DV], Non-Heated, Export, Left
		1	J, U					*DL	[L2], Non-Heated, Export, Up to 1/12/04 and After 3/2/04, Left
	1BU001L2AA	1	J, T					*DL	[D2], Heated, From 1/26/04 to 3/2/04, Right
		1	J, T					*DL	[L2], Heated, From 1/26/04 to 3/2/04, Right
	1BU011L2AA	1	J, T					*DL	[L2], Heated, Export, From 1/26/04 to 3/2/04, Right
		1	J, T					*DL	[D2], Heated, From 1/26/04 to 3/2/04, Left
	1BV001DVAA	1	J, U					*DL	[L2], Heated, From 1/26/04 to 3/2/04, Left
		1	J, U					*DL	[DV], Heated, Export, After 1/26, Right
	1BV001L2AA	1	J, T					*DL	[L2], Heated, After 3/2/04, Right
		1	J, U					*DL	[L2], Heated, Export, After 3/2/04, Right
	1BV011DVAA	1	J, T					*DL	[D2], Heated, After 3/2/04, Right
		1	J, U					*DL	[DV], Heated, Export, After 1/26, Left
	1BV011L2AA	1	J, T					*DL	[L2], Heated, After 3/2/04, Left
		1	J, U					*DL	[L2], Heated, Export, From 1/26/04 to 3/2/04, Left
		1	J, T					*DL	[D2], Heated, After 3/2/04, Left
		1	J, U					*DL	[L2], Heated, Export, After 3/2/04, Left
6									COVER, Front Seat Back
	0ZD121L2AA	1	J, T					*DL	[D2, L2], From 1/12/04 to 3/2/04, Right
	0ZD131L2AA	1	J, T					*DL	[D2, L2], From 1/12/04 to 3/2/04, Left
		1	J, U					*DL	[D2, L2], Export, From 1/12/04 to 3/2/04, Right
		1	J, U					*DL	[D2, L2], Export, From 1/12/04 to 3/2/04, Left

LIBERTY (KJ)

SERIES

P = Limited
H = Sport
M = Renegade

LINE

J = LHD (4WD)
U = RHD (4WD)
T = LHD (2WD)

BODY

74 = 4 Door (104.3 WB)

ENGINE

ED1 = Engine - 2.4L 4 Cyl
DOHC 16v SMPI
EKG = Engine - 3.7L V6
ENJ = Engine -2.5L 4 Cyl 16V
Turbo Diesel
ENR = Engine - 2.8L 4 Cyl
Turbo Diesel
ENO = 4Cyl Turbo Diesel
EKO = All 3.7L
EDO = All 2.4L

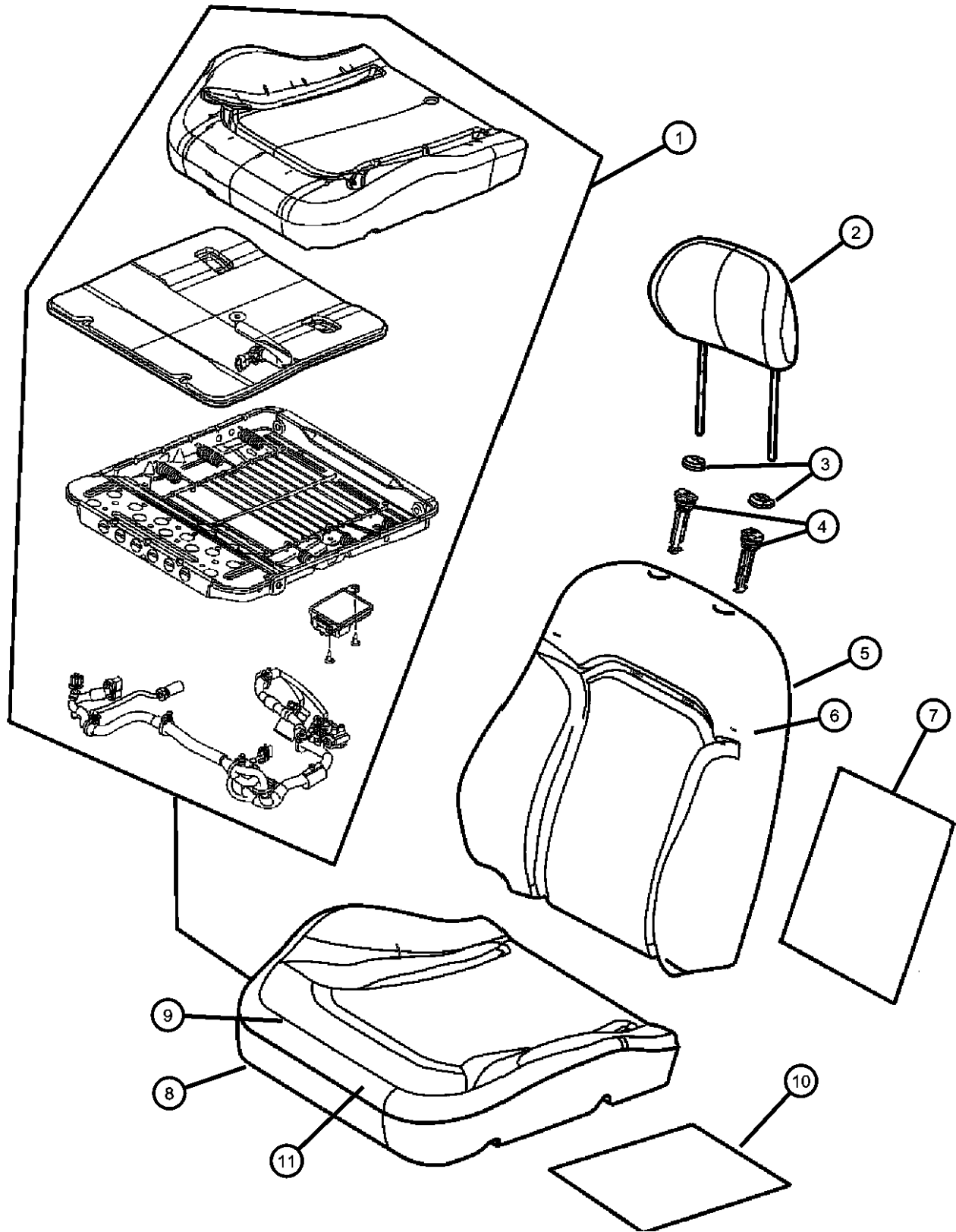
TRANSMISSION

DDD = Transmission - 5-Speed HD
Manual
DDK = Transmission - 5-Speed HD
Manual
DG4 = Transmission-Multi-Speed
Auto, 45RFE
DG6 = Transmission-4-Spd.
Automatic, 42RLE
DGQ = Transmission-5-Spd Automatic
5-45RFE
DBB = All Manual Transmissions
DG0 = All Automatic Transmissions

AR = use ase required - = Non illustrated part

2004 KJ

**Front Seat, Leather, Low Back, Trim Code [DL]
Figure IKJ-510**

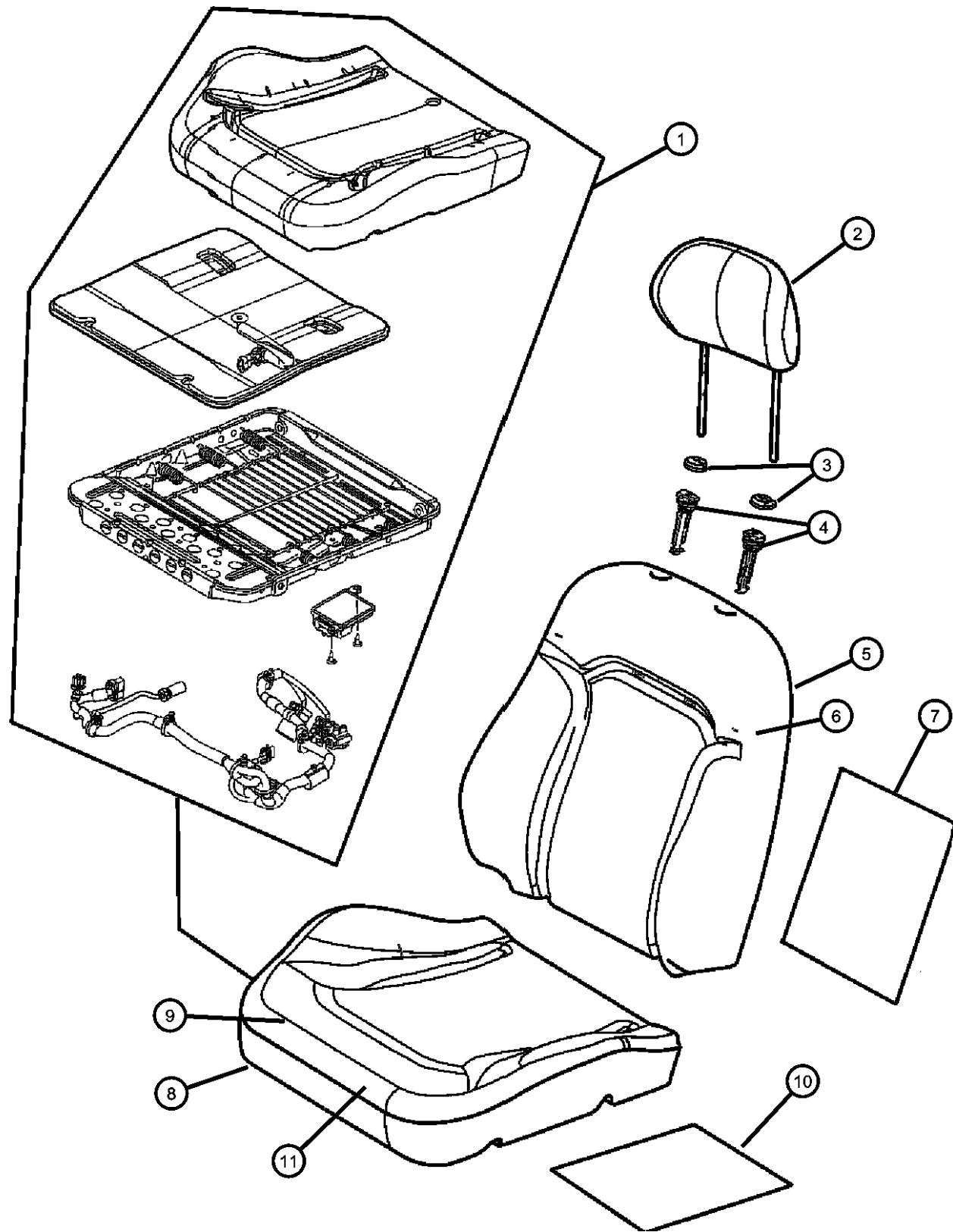


ITEM	PART NUMBER	QTY	LINE	SERIES	BODY	ENGINE	TRANS	TRIM	DESCRIPTION
	0Z981L2AA	1	J, U					*DL	[L2], Export, Up to 1/12/04 and After 3/2/04, Right
		1	J, T					*DL	[D2, L2], Up to 1/12/04 and After 3/2/04, Right
	0Z981DVAA	1	J, U					*DL	[DV], Export, Right
	0Z991L2AA	1	J, U					*DL	[L2], Export, Up to 1/12/04 and After 3/2/04, Left
		1	J, T					*DL	[D2, L2], Up to 1/12/04 and After 3/2/04, Left
	0Z991DVAA	1	J, U					*DL	[DV], Export, Left
7									PAD, Heater, Back
	05103170AA	1	J, U					*DL	Up to 1/26/04, Export
		1	J, T					*DL	Up to 1/26/04,
	05142762AA	2	J, U					*DL	After 1/26/04, Export
		2	J, T					*DL	After 1/26/04
8									FRAME, Front Seat Cushion
	05126323AA	1	J, T					*DL	Left
		1	J, U					*DL	Left
	05126322AA	1	J, U					*DL	Right
		1	J, T					*DL	Right
9									COVER, Front Seat Cushion
	0XV841DVAA	1	J, U					*DL	[DV], Export, Right
	0XV841L2AA	1	J, U					*DL	[L2], Export, Up to 1/12/04 and After 3/2/04, Right
		1	J, T					*DL	[D2, L2], Up to 1/12/04 and After 3/2/04, Right
	0XV851L2AA	1	J, T					*DL	[D2, L2], Up to 1/12/04 and After 3/2/04, Left
	0XV851DVAA	1	J, U					*DL	[DV], Export, Left
		1	J, U					*DL	[L2], Export, Up to 1/12/04 and After 3/2/04, Left
	0ZD041L2AA	1	J, T					*DL	[D2, L2], From 1/12/04 and Up to 3/2/04, Right
		1	J, U					*DL	[D2, L2], Export, From 1/12/04 and Up to 3/2/04, Right

LIBERTY (KJ)				
SERIES	LINE	BODY	ENGINE	TRANSMISSION
P = Limited	J = LHD (4WD)	74 = 4 Door (104.3 WB)	ED1 = Engine - 2.4L 4 Cyl DOHC 16v SMPI	DDD = Transmission - 5-Speed HD Manual
H = Sport	U = RHD (4WD)		EKG = Engine - 3.7L V6	DDK = Transmission - 5-Speed HD Manual
M = Renegade	T = LHD (2WD)		ENJ = Engine -2.5L 4 Cyl 16v Turbo Diesel	DG4 = Transmission-Multi-Speed Auto, 45RFE
			ENR = Engine - 2.8L 4 Cyl Turbo Diesel	DG6 = Transmission-4-Spd. Automatic, 42RLE
			ENO = 4Cyl Turbo Diesel	DGQ = Transmission-5-Spd Automatic 5-45RFE
			EK0 = All 3.7L	DBB = All Manual Transmissions
			ED0 = All 2.4L	DG0 = All Automatic Transmissions

AR = use ase required - = Non illustrated part

**Front Seat, Leather, Low Back, Trim Code [DL]
Figure IKJ-510**



ITEM	PART NUMBER	QTY	LINE	SERIES	BODY	ENGINE	TRANS	TRIM	DESCRIPTION
	0ZD051L2AA	1	J, T					*DL	[D2, L2], From 1/12/04 and Up to 3/2/04, Left
		1	J, U					*DL	[D2, L2], Export, From 1/12/04 and Up to 3/2/04, Left
10	05103171AA	2	J, U						PAD, Heater, Cushion
	05142763AA	2	J, T					*DL	Up to 1/26/04, Export
		2	J, T					*DL	Up to 1/26/04,
		2	J, T					*DL	After 1/26/04
		2	J, U					*DL	After 1/26/04, Export
11	05093976AA	2	J, T						FOAM, Seat Cushion
		2	J, U					*DL	Mexico, Driver and Passenger
		1	J, T					*DL	, Driver and Passenger, Export
-12	05093977AA	2	J, U					*DL	Domestic Left Side Only
		2	J, T					*DL	WIRE KIT, Trimming
								*DL	Export
								*DL	

LIBERTY (KJ)

SERIES LINE
P = Limited J = LHD (4WD)
H = Sport U = RHD (4WD)
M = Renegade T = LHD (2WD)

BODY
74 = 4 Door (104.3 WB)

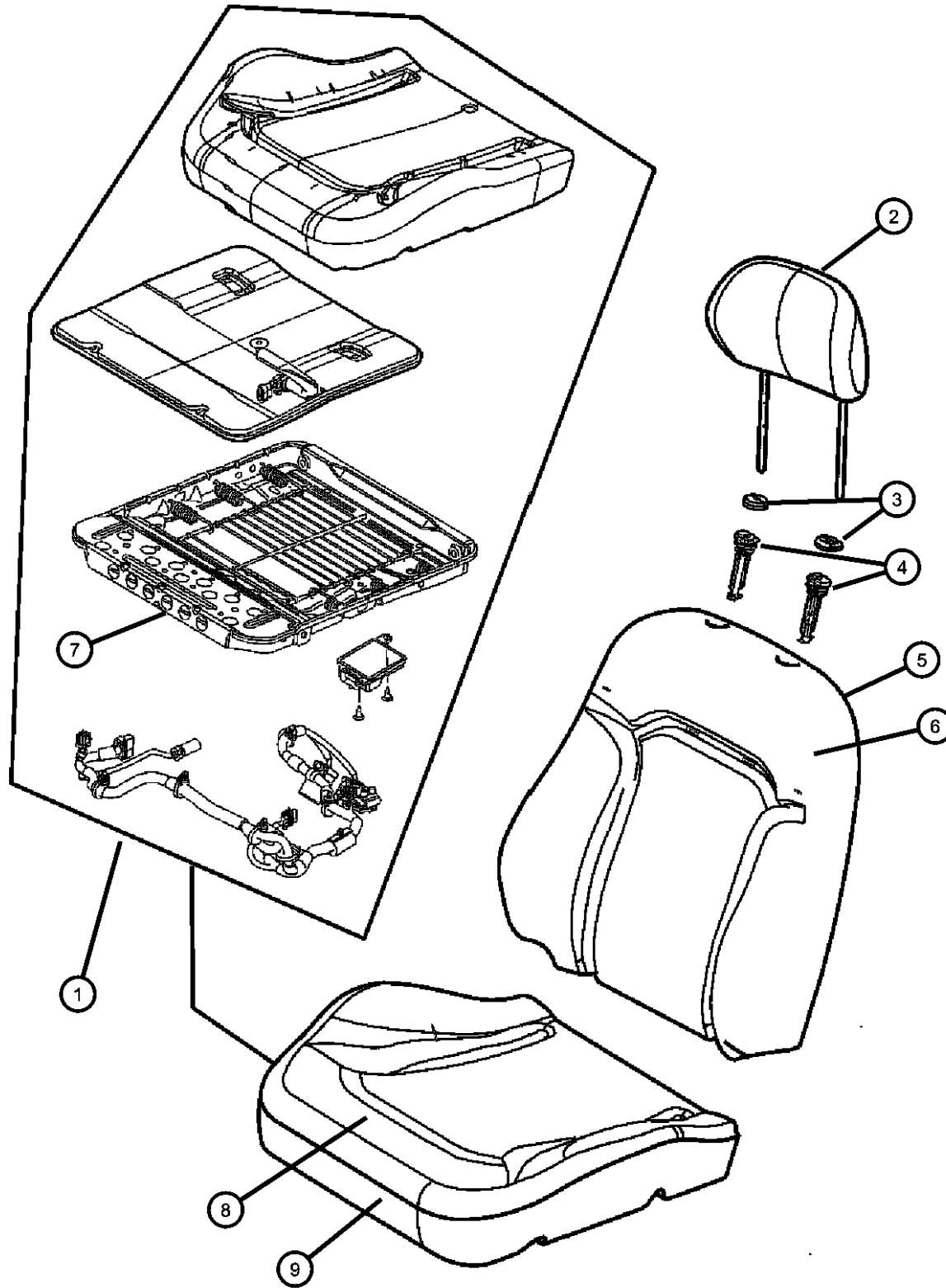
ENGINE
ED1 = Engine - 2.4L 4 Cyl
DOHC 16v SMPI
EKG = Engine - 3.7L V6
ENJ = Engine -2.5L 4 Cyl 16V
Turbo Diesel
ENR = Engine - 2.8L 4 Cyl
Turbo Diesel
ENO = 4Cyl Turbo Diesel
EKO = All 3.7L
EDO = All 2.4L

TRANSMISSION
DDD = Transmission - 5-Speed HD
Manual
DDK = Transmission - 5-Speed HD
Manual
DG4 = Transmission-Multi-Speed
Auto, 45RFE
DG6 = Transmission-4-Spd.
Automatic, 42RLE
DGQ = Transmission-5-Spd Automatic
5-45RFE
DBB = All Manual Transmissions
DG0 = All Automatic Transmissions

AR = use ase required - = Non illustrated part

2004 KJ

**Front Seat, Cloth, Low Back, Trim Code [XJ]
Figure IKJ-520**



ITEM	PART NUMBER	QTY	LINE	SERIES	BODY	ENGINE	TRANS	TRIM	DESCRIPTION
Note: For United States/Canada vehicles only, if right side Cushion Foam is needed order Bladder Repair Kit. Do not attempt to replace the right side									
1	05126304AA	1	J, T					*XJ	BLADDER REPAIR KIT, Occupant Classification System, See Note, Right Side Only Passenger
2	0XP741DVAA	2	J, T					*XJ	[DV]
		2	J, U					*XJ	[DV], Export
	0XP741L5AA	2	J, T					*XJ	[L5]
		2	J, U					*XJ	[L5], Export
3	0WA49WL5AA	2	J, T					*XJ	CAP, Headrest Adjuster [L5], With Button
		2	J, U					*XJ	[L5], With Button, Export
	0WA49XD-VAA	2	J, T					*XJ	[DV], With Button
		2	J, U					*XJ	[DV], With Button, Export
	0WA50WL5AA	2	J, T					*XJ	[L5], Without Button
		2	J, U					*XJ	[L5], Without Button, Export
	0WA50XD-VAA	2	J, T					*XJ	[DV], Without Button
		2	J, U					*XJ	[DV], Without Button, Export
4	05066563AA	2	J, T					*XJ	SLEEVE, Headrest
		2	J, U					*XJ	
5	0ZD921DVAA	1	J, T					*XJ	BACK, Front Seat [DV], Right
		1	J, U					*XJ	[DV], Right, Export
	0ZD921L5AA	1	J, T					*XJ	[L5], Right
		1	J, U					*XJ	[L5], Right, Export
	0ZD931DVAA	1	J, T					*XJ	[DV], Left
		1	J, U					*XJ	[DV], Left, Export
	0ZD931L5AA	1	J, T					*XJ	[L5], Left
		1	J, U					*XJ	[L5], Left, Export

LIBERTY (KJ)

SERIES LINE
P = Limited J = LHD (4WD)
H = Sport U = RHD (4WD)
M = Renegade T = LHD (2WD)

BODY
74 = 4 Door (104.3 WB)

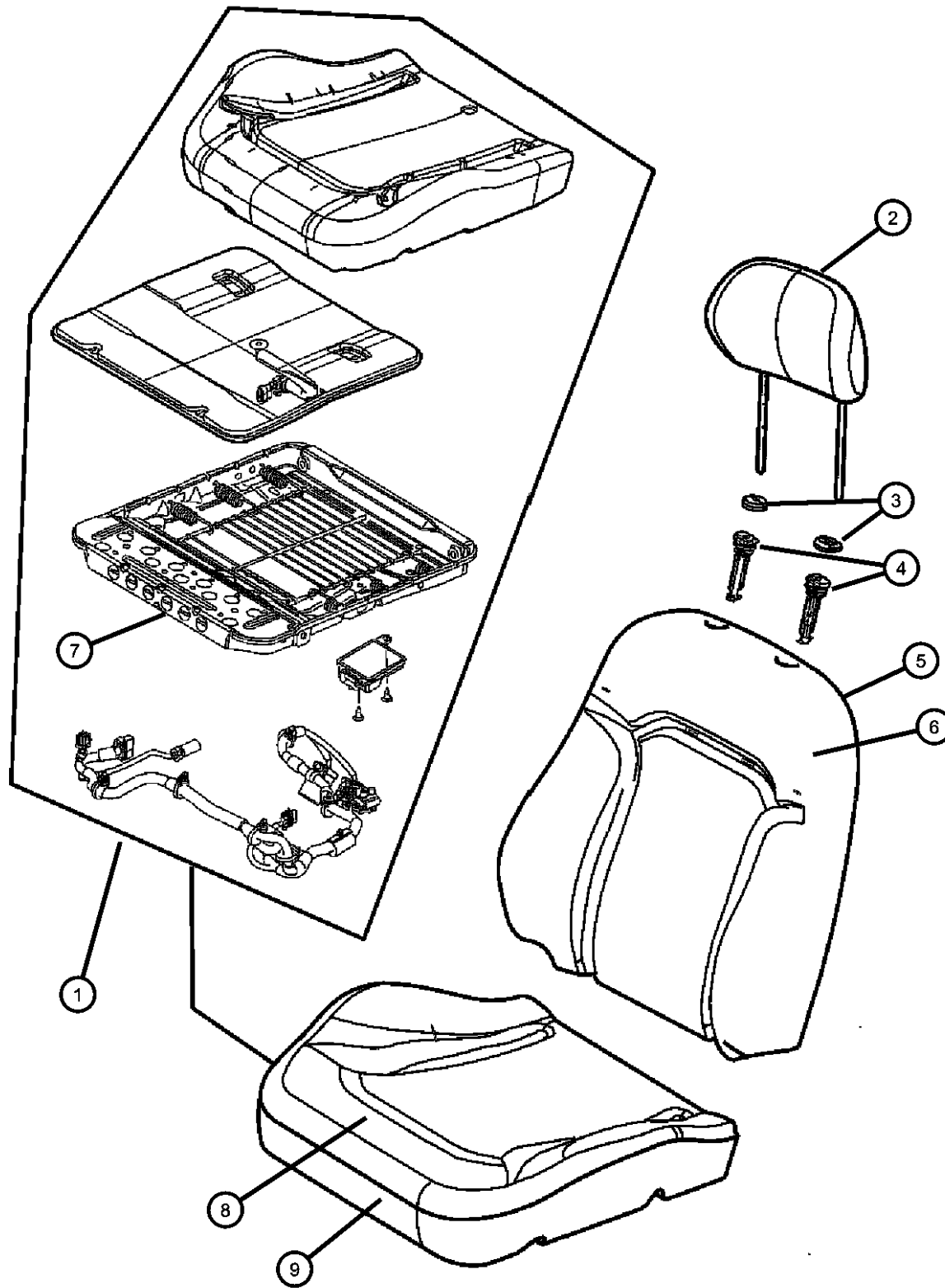
ENGINE
ED1 = Engine - 2.4L 4 Cyl DOHC 16v SMPI
EKG = Engine - 3.7L V6
ENJ = Engine -2.5L 4 Cyl 16v Turbo Diesel
ENR = Engine - 2.8L 4 Cyl Turbo Diesel
ENO = 4Cyl Turbo Diesel
EKO = All 3.7L
EDO = All 2.4L

TRANSMISSION
DDD = Transmission - 5-Speed HD Manual
DDK = Transmission - 5-Speed HD Manual
DG4 = Transmission-Multi-Speed Auto, 45RFE
DG6 = Transmission-4-Spd. Automatic, 42RLE
DGQ = Transmission-5-Spd Automatic 5-45RFE
DBB = All Manual Transmissions
DG0 = All Automatic Transmissions

AR = use ase required - = Non illustrated part

2004 KJ

Front Seat, Cloth, Low Back, Trim Code [XJ]
Figure IKJ-520



ITEM	PART NUMBER	QTY	LINE	SERIES	BODY	ENGINE	TRANS	TRIM	DESCRIPTION
6	0ZD901DVAA	1	J, U					*XJ	COVER, Front Seat Back
		1	J, T					*XJ	[DV], Right, Export
	0ZD901L5AA	1	J, T					*XJ	[DV], Right, Export
		1	J, U					*XJ	[L5], Right
	0ZD911DVAA	1	J, T					*XJ	[L5], Right, Export
		1	J, U					*XJ	[DV], Left
7	0ZD911L5AA	1	J, U					*XJ	[DV], Left, Export
		1	J, U					*XJ	[L5], Left, Export
		1	J, T					*XJ	[L5], Left
8	05126322AA	1	J, U					*XJ	FRAME, Front Seat Cushion
		1	J, T					*XJ	Right, Export
	05126323AA	1	J, U					*XJ	Right, Export
		1	J, T					*XJ	Left, Export
9	0YG511DVAA	2	J, T					*XJ	COVER, Front Seat Cushion
		2	J, U					*XJ	[DV], Right & Left
	0YG511L5AA	2	J, T					*XJ	[DV], Right & Left, Export
-10		2	J, U					*XJ	[L5], Right & Left
		2	J, U					*XJ	[L5], Right & Left, Export
9	05093975AA	2	J, U					*XJ	FOAM, Seat Cushion
		1	J, T					*XJ	Export Only, Driver and Passenger
-10	05093978AA	2	J, T					*XJ	For Passenger Side Use Bladder Repair Kit, Driver
		2	J, U					*XJ	WIRE KIT, Trimming

LIBERTY (KJ)

SERIES LINE
P = Limited J = LHD (4WD)
H = Sport U = RHD (4WD)
M = Renegade T = LHD (2WD)

BODY
74 = 4 Door (104.3 WB)

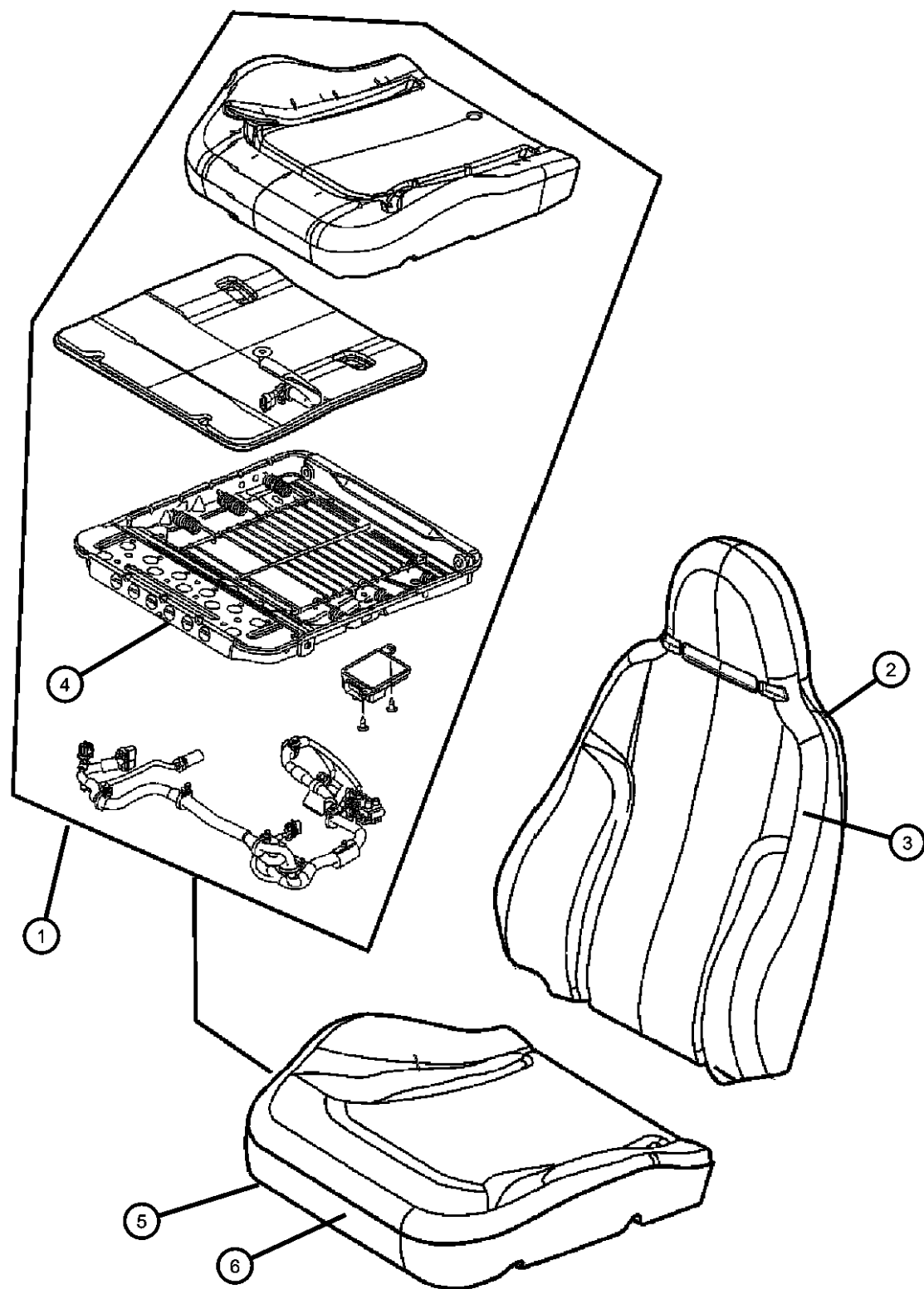
ENGINE
ED1 = Engine - 2.4L 4 Cyl
DOHC 16v SMPI
EKG = Engine - 3.7L V6
ENJ = Engine -2.5L 4 Cyl 16V
Turbo Diesel
ENR = Engine - 2.8L 4 Cyl
Turbo Diesel
ENO = 4Cyl Turbo Diesel
EKO = All 3.7L
EDO = All 2.4L

TRANSMISSION
DDD = Transmission - 5-Speed HD
Manual
DDK = Transmission - 5-Speed HD
Manual
DG4 = Transmission-Multi-Speed
Auto, 45RFE
DG6 = Transmission-4-Spd.
Automatic, 42RLE
DGQ = Transmission-5-Spd Automatic
5-45RFE
DBB = All Manual Transmissions
DG0 = All Automatic Transmissions

AR = use ase required - = Non illustrated part

2004 KJ

**Front Seat, Cloth, Trim Code [M5]
Figure IKJ-530**



ITEM	PART NUMBER	QTY	LINE	SERIES	BODY	ENGINE	TRANS	TRIM	DESCRIPTION
------	-------------	-----	------	--------	------	--------	-------	------	-------------

Note: For United States/Canada vehicles only, if right side Cushion Foam is needed order Bladder Repair Kit. Do not attempt to replace the right side

1	05126305AA	1	J, T					*M5	BLADDER REPAIR KIT, Occupant Classification System, See Note, Right Side Only, Includes Foam, Bladder, Frame, Control Module and Harness, Passenger BACK, Front Seat
2									
	0ZD641DVAA	1	J, T					*M5	[DV], Right
	0ZD641L5AA	1	J, T					*M5	[L5], Right
	0ZD651DVAA	1	J, T					*M5	[DV], Left
	0ZD651L5AA	1	J, T					*M5	[L5], Left
3									COVER, Front Seat Back
	0ZD621DVAA	1	J, T					*M5	[DV]
	0ZD621L5AA	1	J, T					*M5	[L5]
4									FRAME, Front Seat Cushion
	05126322AA	1	J, T					*M5	Right
	05126323AA	1	J, T					*M5	Left
5									COVER, Front Seat Cushion
	0XV811DVAA	2	J, T					*M5	[DV]
	0XV811L5AA	2	J, T					*M5	[L5]
6									FOAM, Seat Cushion
	05093974AA	2	J, T					*M5	Mexico Only, Driver and Passenger
		1	J, T					*M5	For Passenger Side Use Bladder Repair Kit, Driver
-7	05093977AA	2	J, T					*M5	WIRE KIT, Trimming

LIBERTY (KJ)

SERIES LINE
P = Limited J = LHD (4WD)
H = Sport U = RHD (4WD)
M = Renegade T = LHD (2WD)

BODY
74 = 4 Door (104.3 WB)

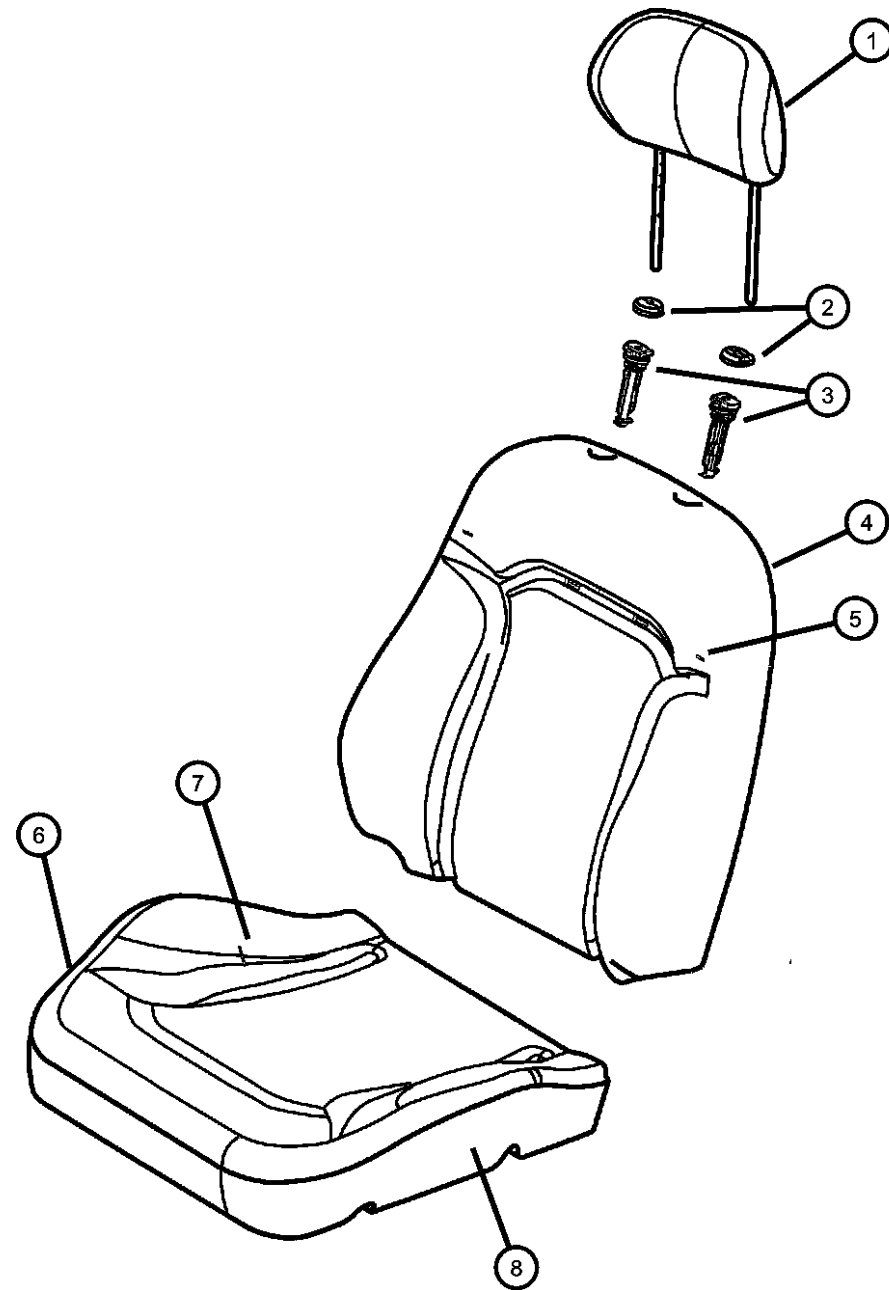
ENGINE
ED1 = Engine - 2.4L 4 Cyl DOHC 16v SMPI
EKG = Engine - 3.7L V6
ENJ = Engine -2.5L 4 Cyl 16v Turbo Diesel
ENR = Engine - 2.8L 4 Cyl Turbo Diesel
ENO = 4Cyl Turbo Diesel
EK0 = All 3.7L
ED0 = All 2.4L

TRANSMISSION
DDD = Transmission - 5-Speed HD Manual
DDK = Transmission - 5-Speed HD Manual
DG4 = Transmission-Multi-Speed Auto, 45RFE
DG6 = Transmission-4-Spd. Automatic, 42RLE
DGQ = Transmission-5-Spd Automatic 5-45RFE
DBB = All Manual Transmissions
DG0 = All Automatic Transmissions

AR = use ase required - = Non illustrated part

2004 KJ

**Front Seat, Cloth, Low Back, Trim Code [E7]
Figure IKJ-540**



ITEM	PART NUMBER	QTY	LINE	SERIES	BODY	ENGINE	TRANS	TRIM	DESCRIPTION
1	0WK031DVAA	2	J, U					*E7	HEADREST, Front [DV]
	0WK031L5AA	2	J, U					*E7	[L5]
2	0WA49WL5AA	2	J, U					*E7	CAP, Headrest Adjuster [L5], With Button
	0WA49XD-VAA	2	J, U					*E7	[DV], With Button
	0WA50WL5AA	2	J, U					*E7	[L5], Without Button
	0WA50XD-VAA	2	J, U					*E7	[DV], Without Button
3	05066017AA	4	J, U					*E7	SLEEVE, Headrest
4	0ZD661DVAA	1	J, U					*E7	BACK, Front Seat [DV], Right
	0ZD661L5AA	1	J, U					*E7	[L5], Right
	0ZD671DVAA	1	J, U					*E7	[DV], Left
	0ZD671L5AA	1	J, U					*E7	[L5], Left
5	0ZD631DVAA	2	J, U					*E7	COVER, Front Seat Back [DV]
	0ZD631L5AA	2	J, U					*E7	[L5]
6	05126322AA	1	J, U					*E7	FRAME, Front Seat Cushion Right
	05126323AA	1	J, U					*E7	Left
7	0XV811DVAA	2	J, U					*E7	COVER, Front Seat Cushion [DV]
	0XV811L5AA	2	J, U					*E7	[L5]
8	05093974AA	2	J, U					*E7	FOAM, Seat Cushion
-9	05093977AA	2	J, U					*E7	WIRE KIT, Trimming

LIBERTY (KJ)

SERIES LINE
P = Limited J = LHD (4WD)
H = Sport U = RHD (4WD)
M = Renegade T = LHD (2WD)

BODY
74 = 4 Door (104.3 WB)

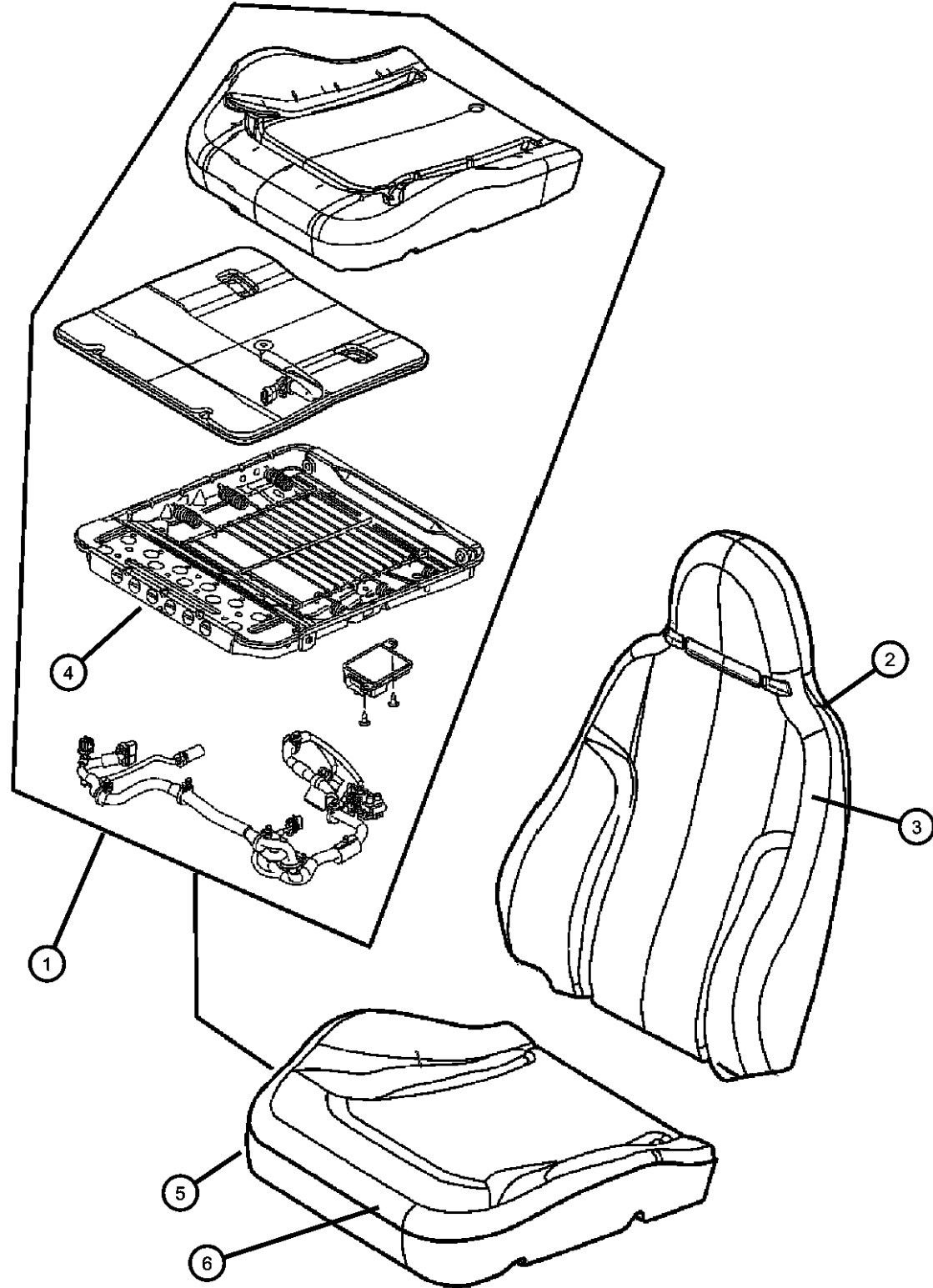
ENGINE
ED1 = Engine - 2.4L 4 Cyl DOHC 16v SMPI
EKG = Engine - 3.7L V6
ENJ = Engine -2.5L 4 Cyl 16V Turbo Diesel
ENR = Engine - 2.8L 4 Cyl Turbo Diesel
ENO = 4Cyl Turbo Diesel
EKO = All 3.7L
EDO = All 2.4L

TRANSMISSION
DDD = Transmission - 5-Speed HD Manual
DDK = Transmission - 5-Speed HD Manual
DG4 = Transmission-Multi-Speed Auto, 45RFE
DG6 = Transmission-4-Spd. Automatic, 42RLE
DGQ = Transmission-5-Spd Automatic 5-45RFE
DBB = All Manual Transmissions
DG0 = All Automatic Transmissions

AR = use ase required - = Non illustrated part

2004 KJ

**Front Seat, Cloth, Trim Code [J5]
Figure IKJ-550**



ITEM	PART NUMBER	QTY	LINE	SERIES	BODY	ENGINE	TRANS	TRIM	DESCRIPTION
------	-------------	-----	------	--------	------	--------	-------	------	-------------

Note; For United States/Canada vehicles only, if right side Cushion Foam is needed order Bladder Repair Kit. Do not attempt to replace the right side

1	05126305AA	1						*J5	BLADDER REPAIR KIT, Occupant Classification System, See Note, Right Side Only, Includes Foam, Bladder, Frame, Control Module and Harness, Passenger BACK, Front Seat
2								*J5	[DV], Right
	1AG321DVAA	1						*J5	[L5], Right
	1AG321L5AA	1						*J5	[L5], Right
	1AG331DVAA	1						*J5	[DV], Left
	1AG331L5AA	1						*J5	[L5], Left
3									COVER, Front Seat Back
	1AG301DVAA	1						*J5	[DV], Right
	1AG301L5AA	1						*J5	[L5], Right
	1AG311DVAA	1						*J5	[DV], Left
	1AG311L5AA	1						*J5	[L5], Left
4									FRAME, Front Seat Cushion
	05126322AA	1						*J5	Right
	05126323AA	1						*J5	Left
5									COVER, Front Seat Cushion
	0XV861DVAA	2						*J5	[DV]
	0XV861L5AA	2						*J5	[L5]
6	05093974AA	2						*J5	FOAM, Seat Cushion Drivers Side
-7	05093977AA	2						*J5	WIRE KIT, Trimming

LIBERTY (KJ)

SERIES

P = Limited
H = Sport
M = Renegade

LINE

J = LHD (4WD)
U = RHD (4WD)
T = LHD (2WD)

BODY

74 = 4 Door (104.3 WB)

ENGINE

ED1 = Engine - 2.4L 4 Cyl
DOHC 16v SMPI
EKG = Engine - 3.7L V6
ENJ = Engine -2.5L 4 Cyl 16v
Turbo Diesel
ENR = Engine - 2.8L 4 Cyl
Turbo Diesel
ENO = 4Cyl Turbo Diesel
EKO = All 3.7L
EDO = All 2.4L

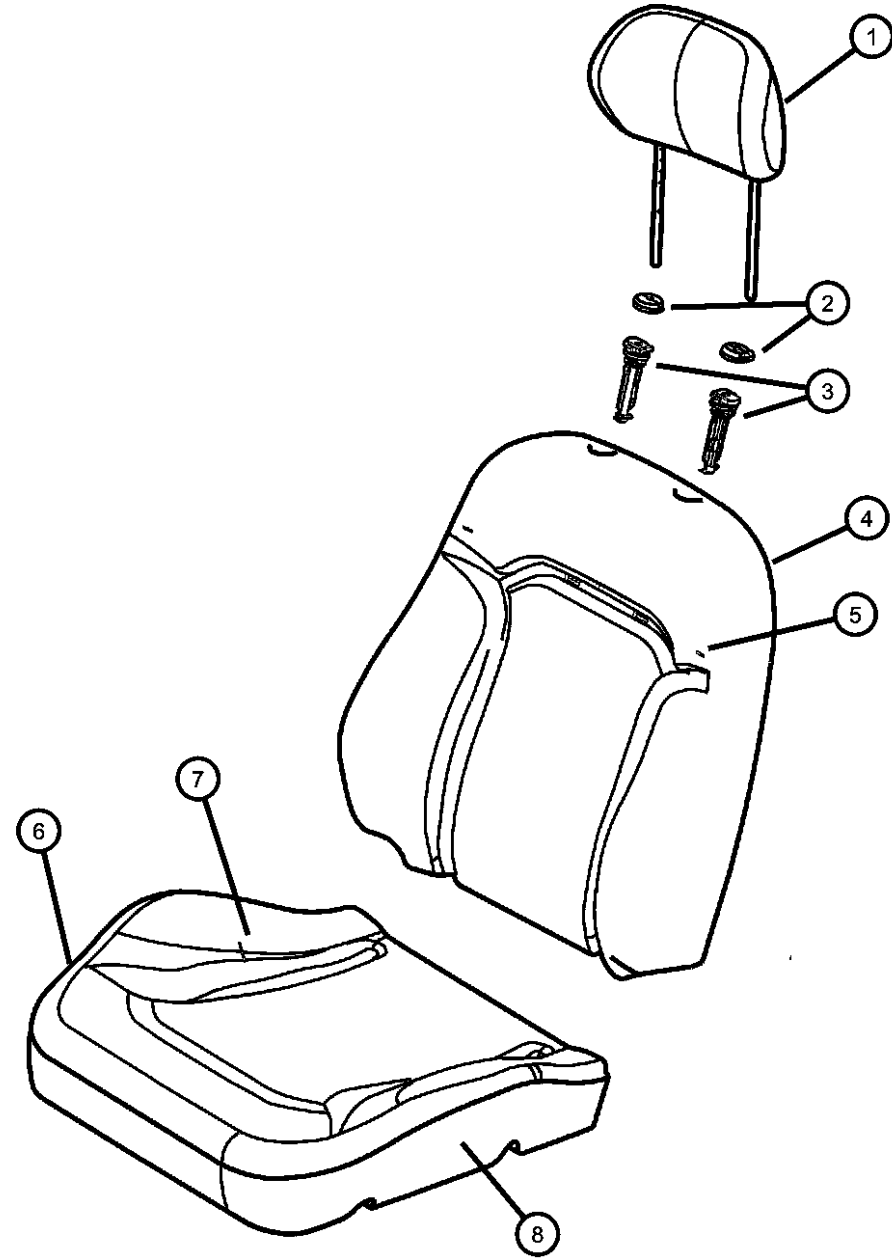
TRANSMISSION

DDD = Transmission - 5-Speed HD
Manual
DDK = Transmission - 5-Speed HD
Manual
DG4 = Transmission-Multi-Speed
Auto, 45RFE
DG6 = Transmission-4-Spd.
Automatic, 42RLE
DGQ = Transmission-5-Spd Automatic
5-45RFE
DBB = All Manual Transmissions
DG0 = All Automatic Transmissions

AR = use ase required - = Non illustrated part

2004 KJ

Front Seat, Cloth, Low Back, Trim Code [F7]
Figure IKJ-560



ITEM	PART NUMBER	QTY	LINE	SERIES	BODY	ENGINE	TRANS	TRIM	DESCRIPTION
1	0XH171DVAA	2						*F7	HEADREST, Front [DV]
	0XH171L5AA	2						*F7	[L5]
2	0WA49WL5AA	1						*F7	CAP, Headrest Adjuster [L5], With Button
	0WA49XD-VAA	1						*F7	[DV], With Button
	0WA50WL5AA	1						*F7	[L5], Without Button
	0WA50XD-VAA	1						*F7	[DV], Without Button
3	05066563AA	2						*F7	SLEEVE, Headrest
4	1AG281DVAA	1						*F7	BACK, Front Seat [DV], Right
	1AG281L5AA	1						*F7	[L5], Right
	1AG291DVAA	1						*F7	[DV], Left
	1AG291L5AA	1						*F7	[L5], Left
5	1AG261DVAA	1						*F7	COVER, Front Seat Back [DV], Right
	1AG261L5AA	1						*F7	[L5], Right
	1AG271DVAA	1						*F7	[DV], Left
	1AG271L5AA	1						*F7	[L5], Left
6	05126322AA	1						*F7	FRAME, Front Seat Cushion Right
	05126323AA	1						*F7	Left
7	0XV861DVAA	2						*F7	COVER, Front Seat Cushion [DV]
	0XV861L5AA	2						*F7	[L5]
8	05093974AA	2						*F7	FOAM, Seat Cushion
-9	05093977AA	2						*F7	WIRE KIT, Trimming

LIBERTY (KJ)

SERIES LINE
P = Limited J = LHD (4WD)
H = Sport U = RHD (4WD)
M = Renegade T = LHD (2WD)

BODY
74 = 4 Door (104.3 WB)

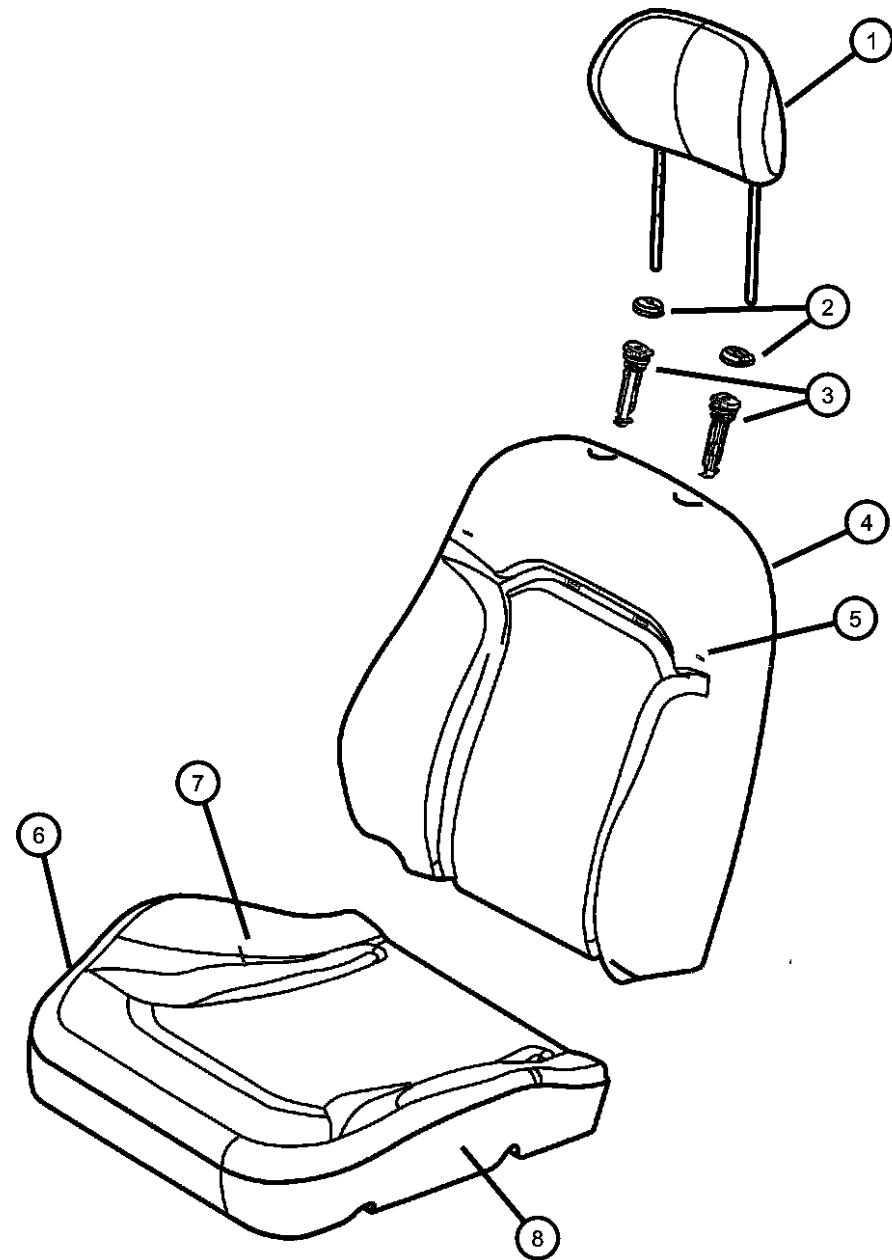
ENGINE
ED1 = Engine - 2.4L 4 Cyl DOHC 16v SMPI
EKG = Engine - 3.7L V6
ENJ = Engine -2.5L 4 Cyl 16v Turbo Diesel
ENR = Engine - 2.8L 4 Cyl Turbo Diesel
ENO = 4Cyl Turbo Diesel
EKO = All 3.7L
EDO = All 2.4L

TRANSMISSION
DDD = Transmission - 5-Speed HD Manual
DDK = Transmission - 5-Speed HD Manual
DG4 = Transmission-Multi-Speed Auto, 45RFE
DG6 = Transmission-4-Spd. Automatic, 42RLE
DGQ = Transmission-5-Spd Automatic 5-45RFE
DBB = All Manual Transmissions
DG0 = All Automatic Transmissions

AR = use ase required - = Non illustrated part

2004 KJ

Front Seat, Cloth, Low Back, Trim Code [A7]
Figure IKJ-570



ITEM	PART NUMBER	QTY	LINE	SERIES	BODY	ENGINE	TRANS	TRIM	DESCRIPTION
1	1AG931DVAA	1						*A7	HEADREST, Front
2	0WA49XD-VAA	1						*A7	CAP, Headrest Adjuster
	0WA501DVAA	1						*A7	With Button
	0WA501DVAA	1						*A7	Without Button
3	05066563AA	2						*A7	SLEEVE, Headrest
4	1AH001DVAA	1						*A7	BACK, Front Seat
	1AH011DVAA	1						*A7	Right
	1AH011DVAA	1						*A7	Left
5	1AG981DVAA	1						*A7	COVER, Front Seat Back
	1AG981DVAA	1						*A7	Right
	1AG991DVAA	1						*A7	Left
6	05126322AA	1						*A7	FRAME, Front Seat Cushion
	05126322AA	1						*A7	Right
	05126323AA	1						*A7	Left
7	1AD951DVAA	2						*A7	COVER, Front Seat Cushion
8	05093974AA	2						*A7	FOAM, Seat Cushion
-9	05093977AA	2						*A7	WIRE KIT, Trimming

LIBERTY (KJ)

SERIES LINE
P = Limited J = LHD (4WD)
H = Sport U = RHD (4WD)
M = Renegade T = LHD (2WD)

BODY
74 = 4 Door (104.3 WB)

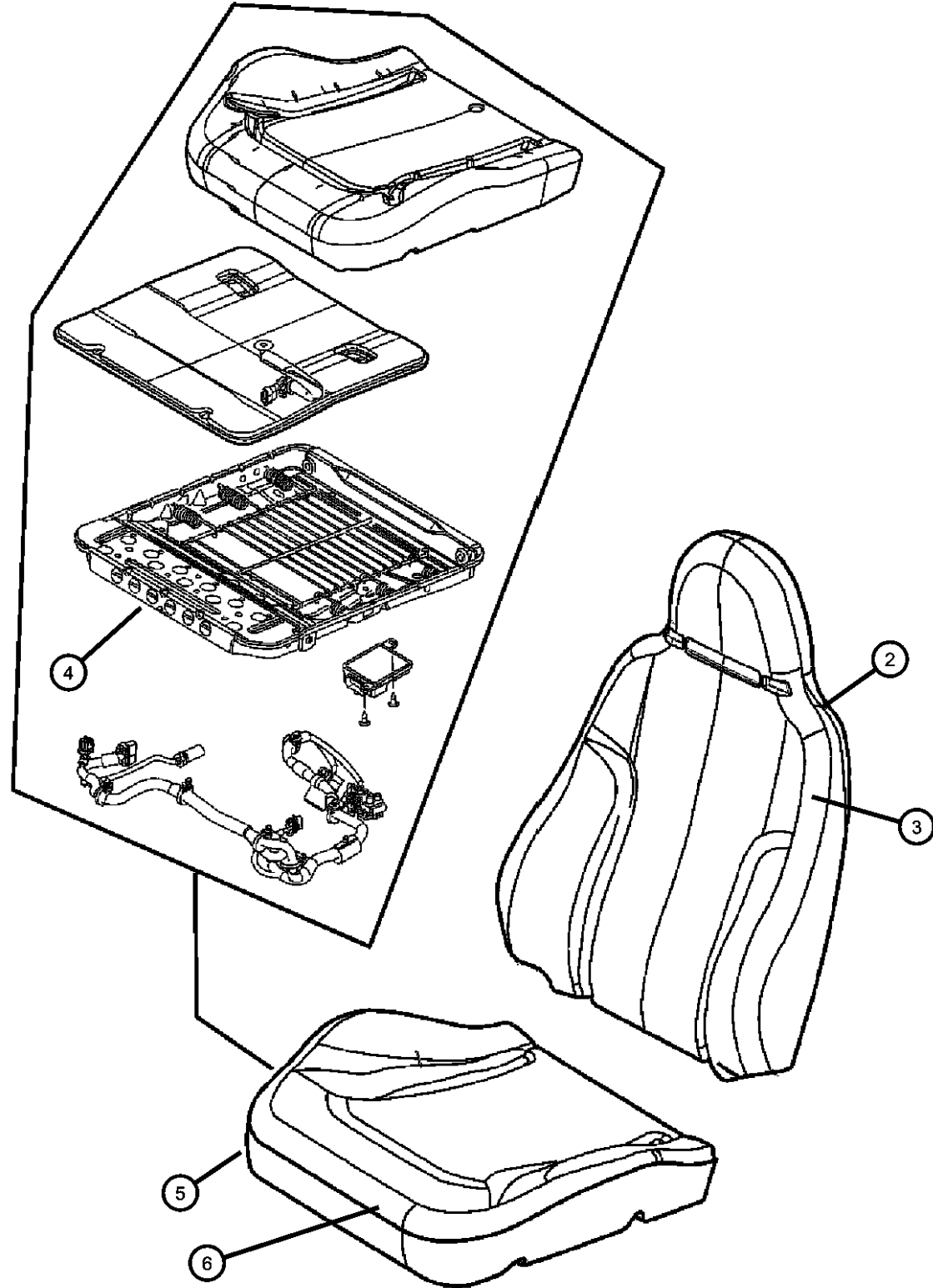
ENGINE
ED1 = Engine - 2.4L 4 Cyl
DOHC 16v SMPI
EKG = Engine - 3.7L V6
ENJ = Engine -2.5L 4 Cyl 16V
Turbo Diesel
ENR = Engine - 2.8L 4 Cyl
Turbo Diesel
ENO = 4Cyl Turbo Diesel
EKO = All 3.7L
EDO = All 2.4L

TRANSMISSION
DDD = Transmission - 5-Speed HD
Manual
DDK = Transmission - 5-Speed HD
Manual
DG4 = Transmission-Multi-Speed
Auto, 45RFE
DG6 = Transmission-4-Spd.
Automatic, 42RLE
DGQ = Transmission-5-Spd Automatic
5-45RFE
DBB = All Manual Transmissions
DG0 = All Automatic Transmissions

AR = use ase required - = Non illustrated part

2004 KJ

**Front Seat, Cloth, Trim Code [V5]
Figure IKJ-580**



ITEM	PART NUMBER	QTY	LINE	SERIES	BODY	ENGINE	TRANS	TRIM	DESCRIPTION
------	-------------	-----	------	--------	------	--------	-------	------	-------------

Note: For United States/Canada vehicles only, if right side Cushion Foam is needed order Bladder Repair Kit. Do not attempt to replace the right side

-1	05126305AA	1						*V5	BLADDER REPAIR KIT, Occupant Classification System, See Note, Right Side Only
2									BACK, Front Seat
	1AE061DVAA	1						*V5	With Columbia Logo, Right
	1AE071DVAA	1						*V5	With Columbia Logo, Left
	1BC621DVAA	1						*V5	With Jeep Logo, Right
	1BC631DVAA	1						*V5	With Jeep Logo, Left
3									COVER, Front Seat Back
	1AE041DVAA	1						*V5	With Columbia Logo, Right
	1AE051DVAA	1						*V5	With Columbia Logo, Left
	1BC601DVAA	1						*V5	With Jeep Logo, Right
	1BC611DVAA	1						*V5	With Jeep Logo, Left
4									FRAME, Front Seat Cushion
	05126322AA	1						*V5	Right
	05126323AA	1						*V5	Left
5	1AD951DVAA	2						*V5	COVER, Front Seat Cushion
6	05093974AA	1						*V5	FOAM, Seat Cushion
-7	05093977AA	1						*V5	WIRE KIT, Trimming

LIBERTY (KJ)

SERIES

P = Limited
H = Sport
M = Renegade

LINE

J = LHD (4WD)
U = RHD (4WD)
T = LHD (2WD)

BODY

74 = 4 Door (104.3 WB)

ENGINE

ED1 = Engine - 2.4L 4 Cyl
DOHC 16v SMPI
EKG = Engine - 3.7L V6
ENJ = Engine -2.5L 4 Cyl 16V
Turbo Diesel
ENR = Engine - 2.8L 4 Cyl
Turbo Diesel
ENO = 4Cyl Turbo Diesel
EKO = All 3.7L
EDO = All 2.4L

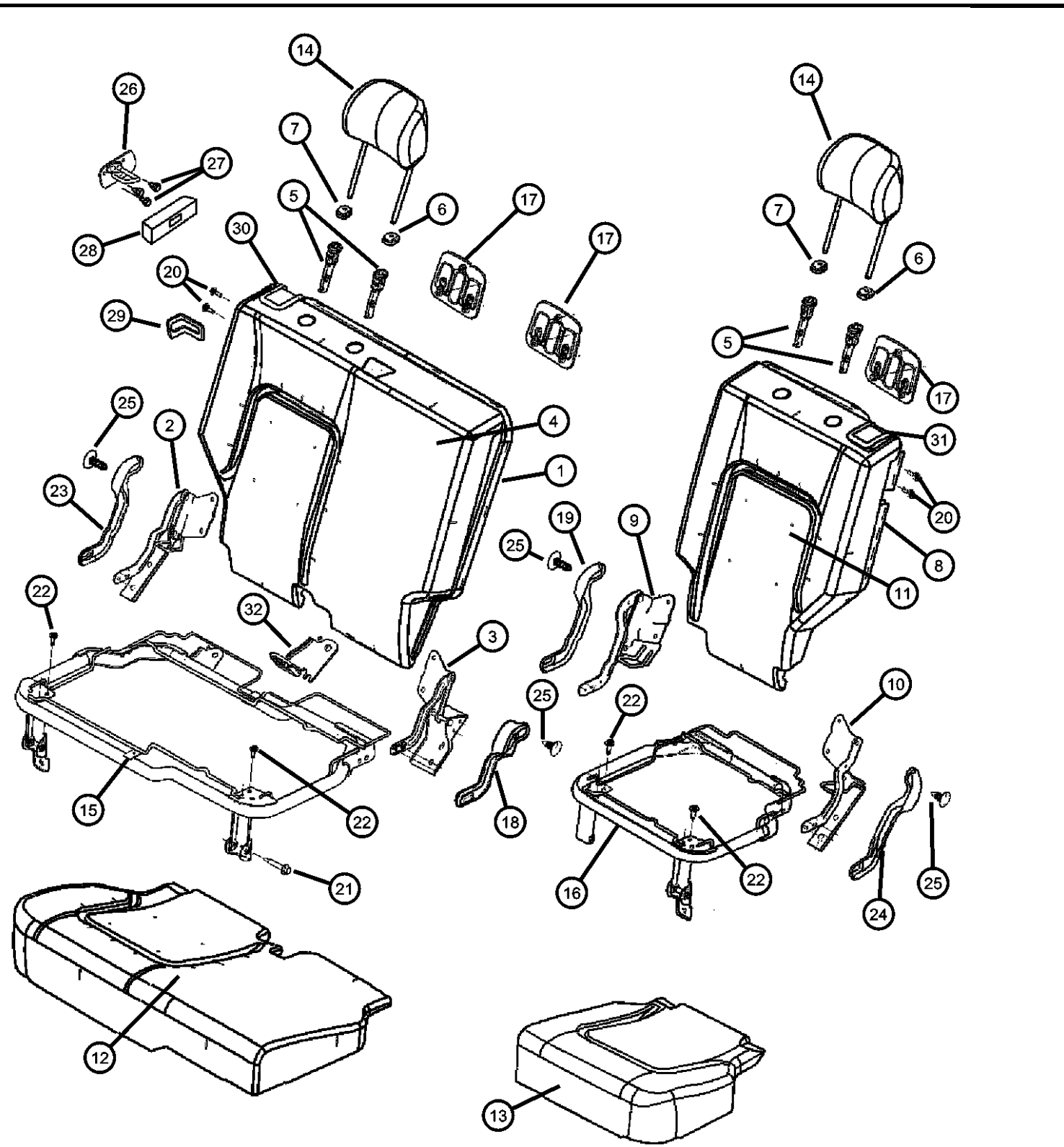
TRANSMISSION

DDD = Transmission - 5-Speed HD
Manual
DDK = Transmission - 5-Speed HD
Manual
DG4 = Transmission-Multi-Speed
Auto, 45RFE
DG6 = Transmission-4-Spd.
Automatic, 42RLE
DGQ = Transmission-5-Spd Automatic
5-45RFE
DBB = All Manual Transmissions
DG0 = All Automatic Transmissions

AR = use ase required - = Non illustrated part

2004 KJ

Rear Seats, Trim Code [M5]
Figure IKJ-610

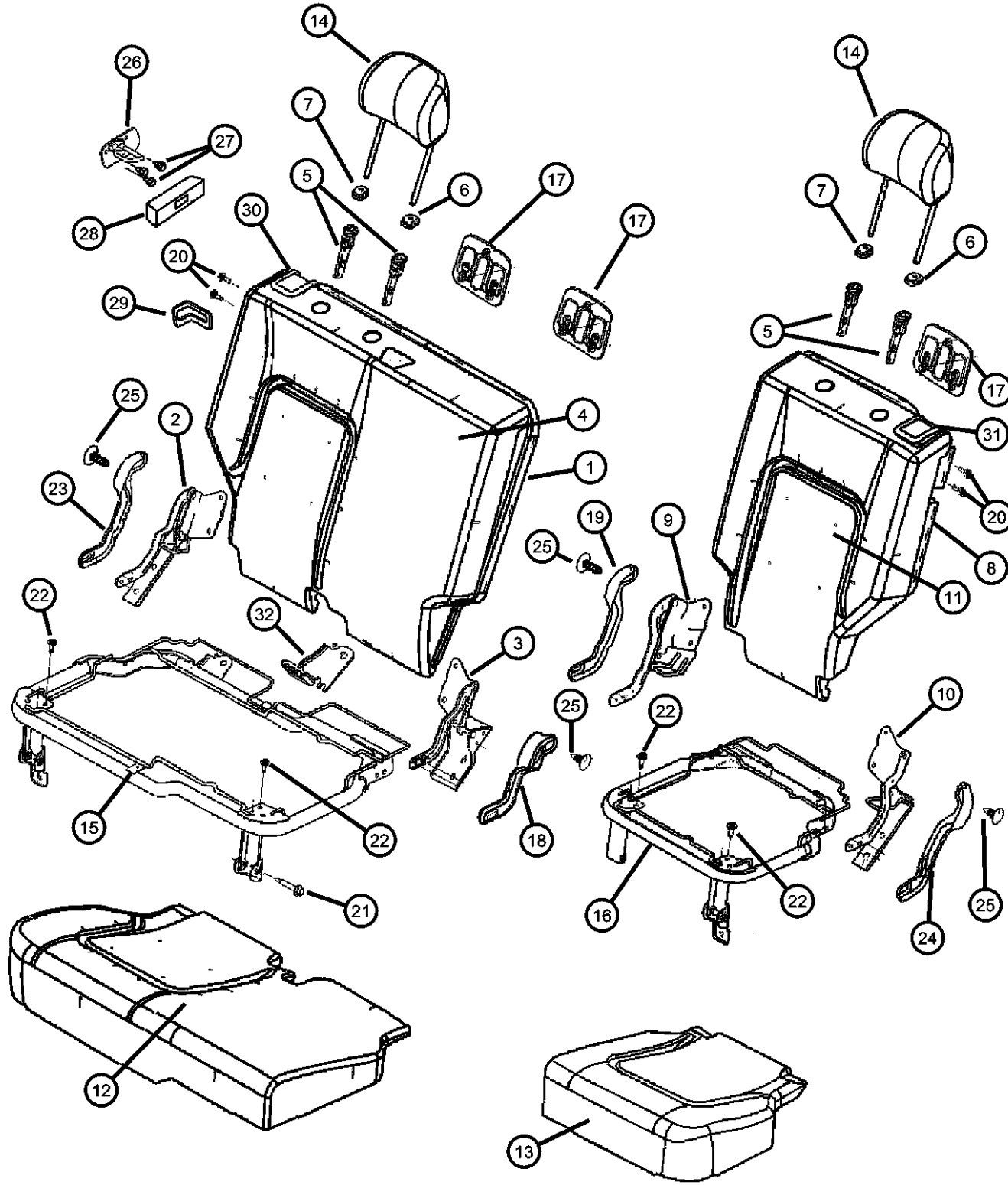


ITEM	PART NUMBER	QTY	LINE	SERIES	BODY	ENGINE	TRANS	TRIM	DESCRIPTION
1	0YF801DVAA	1	J, T					*M5 [DV]	SEAT BACK, Rear, 65%
	0YF801L5AA	1	J, T					*M5 [L5]	
2	05071702AA	1	J, T					*M5	BRACKET AND HINGE, Rear Seat Back, 65%Right, Outboard
3	05071703AA	1	J, T					*M5	BRACKET AND HINGE, Rear Seat Back, 65%Right, Inboard
4	0YF761DVAA	1	J, T					*M5 [DV]	COVER, Rear Seat Back, 65%
	0YF761L5AA	1	J, T					*M5 [L5]	
5	05066017AA	2	J, T					*M5	SLEEVE, Headrest
6	0WA461DVAA	2	J, T					*M5 [DV]	CAP, Headrest Adjuster, With Button
	0WA461L5AA	2	J, T					*M5 [L5]	
7	0WA311DVAA	1	J, T					*M5 [DV]	CAP, Headrest Adjuster, Without Button
	0WA311L5AA	1	J, T					*M5 [L5]	
8	0YF811DVAA	1	J, T					*M5 [DV]	SEAT BACK, Rear, 35%
	0YF811L5AA	1	J, T					*M5 [L5]	
9	05071704AA	1	J, T					*M5	BRACKET AND HINGE, Rear Seat Back, 35%Left, Inboard
10	05071705AA	1	J, T					*M5	BRACKET AND HINGE, Rear Seat Back, 35%Left, Outboard
11	0YF771DVAA	1	J, T					*M5 [DV]	COVER, Rear Seat Back, 35%
	0YF771L5AA	1	J, T					*M5 [L5]	
12	0YF861DVAA	1	J, T					*M5 [DV]	COVER AND PAD, Cushion, 65%
	0YF861L5AA	1	J, T					*M5 [L5]	
13	0YF871DVAA	1	J, T					*M5 [DV]	COVER AND PAD, Cushion, 35%

LIBERTY (KJ)
 SERIES LINE BODY ENGINE TRANSMISSION
 P = Limited J = LHD (4WD) 74 = 4 Door (104.3 WB) ED1 = Engine - 2.4L 4 Cyl DOHC 16v SMPI DDD = Transmission - 5-Speed HD Manual
 H = Sport U = RHD (4WD) EKG = Engine - 3.7L V6 DDK = Transmission - 5-Speed HD Manual
 M = Renegade T = LHD (2WD) ENJ = Engine -2.5L 4 Cyl 16v Turbo Diesel DG4 = Transmission-Multi-Speed Auto, 45RFE
 ENR = Engine - 2.8L 4 Cyl Turbo Diesel DG6 = Transmission-4-Spd. Automatic, 42RLE
 EN0 = 4Cyl Turbo Diesel DGQ = Transmission-5-Spd Automatic 5-45RFE
 ED0 = All 2.4L DBB = All Manual Transmissions
 DG0 = All Automatic Transmissions

AR = use ase required - = Non illustrated part

Rear Seats, Trim Code [M5]
Figure IKJ-610



ITEM	PART NUMBER	QTY	LINE	SERIES	BODY	ENGINE	TRANS	TRIM	DESCRIPTION
14	0YF871L5AA	1	J, T					*M5 [L5]	HEADREST, Rear
	0YF831DVAA	2	J, T					*M5 [DV]	
	0YF831L5AA	2	J, T					*M5 [L5]	
15	05072112AA	1	J, T					*M5	PANEL, Seat Cushion Base, 65%
16	05072113AA	1	J, T					*M5	PANEL, Seat Cushion Base, 35%
17									BEZEL, TETHER
	0WB441DVAA	2	J, T					*M5 [DV]	
	0WB441L5AA	2	J, T					*M5 [L5]	
18									COVER, Hinge, Right Inboard
	0UZ45WL5AA	1	J, T					*M5 [L5]	
	0UZ45XDVAA	1	J, T					*M5 [DV]	
19									COVER, Hinge, Left Inboard
	0UZ46WL5AA	1	J, T					*M5 [L5]	
	0UZ46XDVAA	1	J, T					*M5 [DV]	
20	05072520AA	2	J, T					*M5	BOLT, Pivot
21	05072519AA	1	J, T					*M5	BOLT, Seat
22	04761014	8	J, T					*M5	BOLT, Cushion To Adjuster
23									COVER, Hinge, Right Outboard
	0UZ44WL5AA	1	J, T					*M5 [L5]	
	0UZ44XDVAA	1	J, T					*M5 [DV]	
24									COVER, Hinge, Left Outboard
	0UZ47WL5AA	1	J, T					*M5 [L5]	
	0UZ47XDVAA	1	J, T					*M5 [DV]	
25									PIN, Push
	0WA51WL5AA	2	J, T					*M5 [L5]	
	0WA51XD-VAA	2	J, T					*M5 [DV]	
26									STRIKER, Seat Back Latch Right
	55352816AB	1							

LIBERTY (KJ)

SERIES LINE
P = Limited J = LHD (4WD)
H = Sport U = RHD (4WD)
M = Renegade T = LHD (2WD)

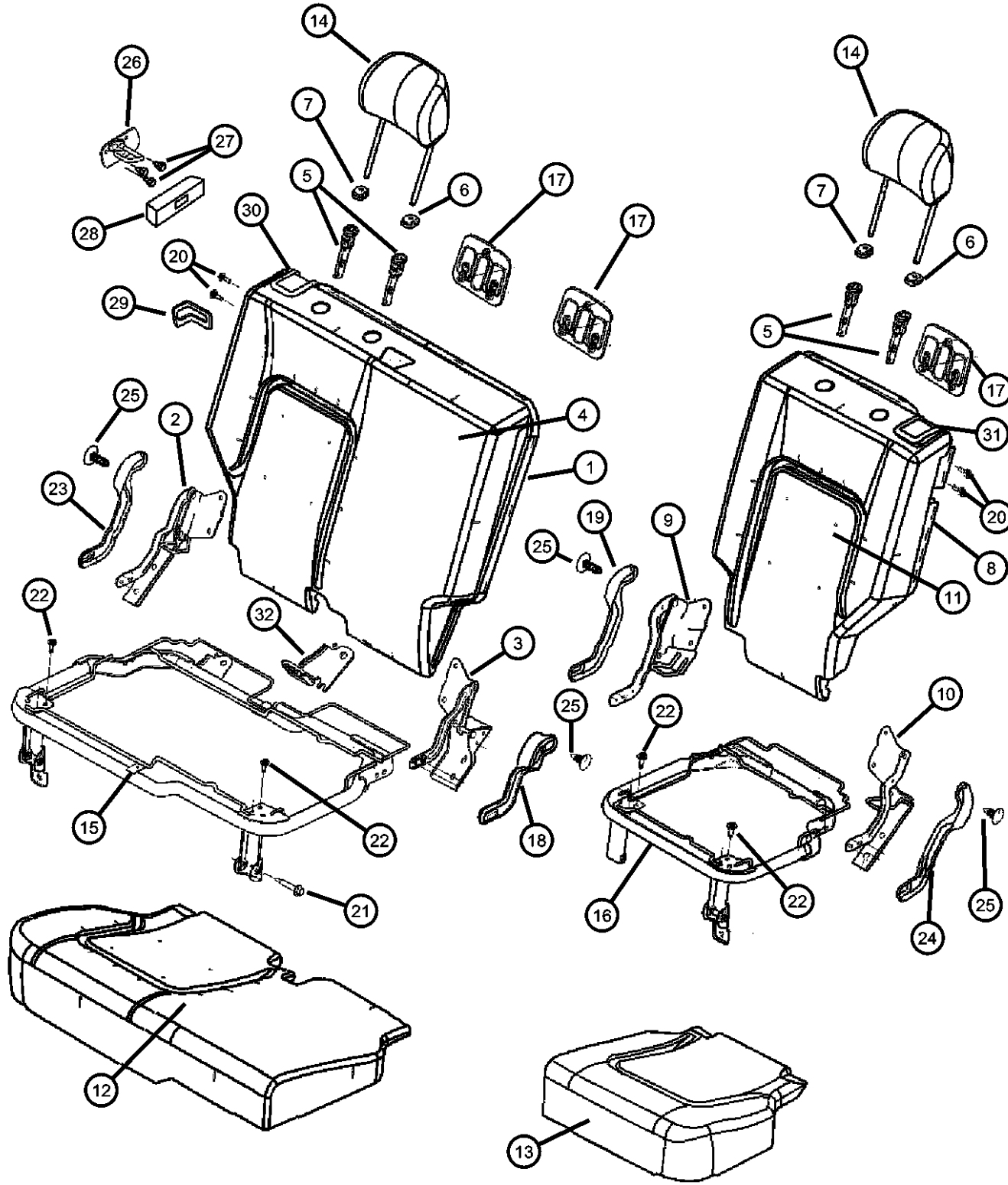
BODY
74 = 4 Door (104.3 WB)

ENGINE
ED1 = Engine - 2.4L 4 Cyl DOHC 16v SMPI
EKG = Engine - 3.7L V6
ENJ = Engine -2.5L 4 Cyl 16v Turbo Diesel
ENR = Engine - 2.8L 4 Cyl Turbo Diesel
ENO = 4Cyl Turbo Diesel
EKO = All 3.7L
EDO = All 2.4L

TRANSMISSION
DDD = Transmission - 5-Speed HD Manual
DDK = Transmission - 5-Speed HD Manual
DG4 = Transmission-Multi-Speed Auto, 45RFE
DG6 = Transmission-4-Spd. Automatic, 42RLE
DGQ = Transmission-5-Spd Automatic 5-45RFE
DBB = All Manual Transmissions
DG0 = All Automatic Transmissions

AR = use ase required - = Non illustrated part

Rear Seats, Trim Code [M5]
Figure IKJ-610

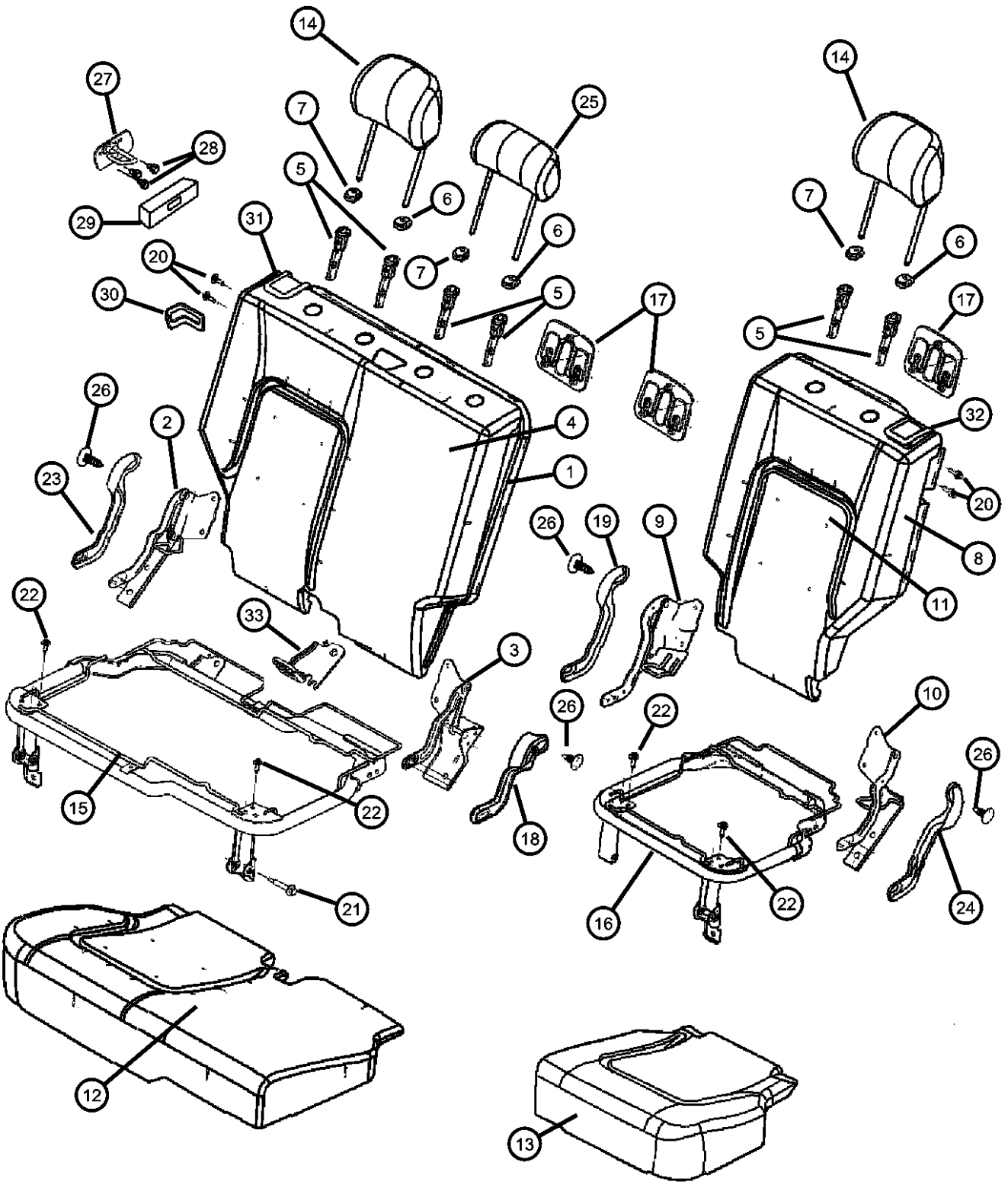


ITEM	PART NUMBER	QTY	LINE	SERIES	BODY	ENGINE	TRANS	TRIM	DESCRIPTION
	55352817AB	1							Left
27	06505434AA	6							SCREW, M8-1.25
28	55352839AC	2							BEZEL, Seat Latch
29									BEZEL, Seat Latch
	0WA92WL8AA	1	J, T					*M5	[L5]
	0WA92XD-VAA	1	J, T					*M5	[DV]
30									CONTROL, SEAT RELEASE, With Cable and Latch
	0XF781DVAB	1	J, T					*M5	[DV], 65% Side
	0XF781L5AB	1	J, T					*M5	[L5], 65% Side
31									CONTROL, SEAT RELEASE, With Latch
	0XF791DVAB	1	J, T					*M5	[DV], 35% Side
	0XF791L5AB	1	J, T					*M5	[L5], 35% Side
32	05134366AA	1	J, T					*M5	BRACKET, Child Tether Anchor

LIBERTY (KJ)				
SERIES	LINE	BODY	ENGINE	TRANSMISSION
P = Limited	J = LHD (4WD)	74 = 4 Door (104.3 WB)	ED1 = Engine - 2.4L 4 Cyl DOHC 16v SMPI	DDD = Transmission - 5-Speed HD Manual
H = Sport	U = RHD (4WD)		EKG = Engine - 3.7L V6 Turbo Diesel	DDK = Transmission - 5-Speed HD Manual
M = Renegade	T = LHD (2WD)		ENJ = Engine - 2.5L 4 Cyl 16V Turbo Diesel	DG4 = Transmission-Multi-Speed Auto, 45RFE
			ENR = Engine - 2.8L 4 Cyl Turbo Diesel	DG6 = Transmission-4-Spd. Automatic, 42RLE
			ENO = 4Cyl Turbo Diesel	DGQ = Transmission-5-Spd Automatic 5-45RFE
			EK0 = All 3.7L	DBB = All Manual Transmissions
			ED0 = All 2.4L	DG0 = All Automatic Transmissions

AR = use ase required - = Non illustrated part

Rear Seat, Trim Code [DL]
Figure IKJ-620



ITEM	PART NUMBER	QTY	LINE	SERIES	BODY	ENGINE	TRANS	TRIM	DESCRIPTION
1	0WD101D2AA	1	J, T					*DL	SEAT BACK, Rear, 65% [D2], Up to 1/12/04 and After 3/2/04
	0WD101L2AA	1	J, T					*DL	[L2], Up to 1/12/04 and After 3/2/04
	0WD181DVAA	1	J, U					*DL	[DV], Export
	0WD181L2AA	1	J, U					*DL	[L2], Up to 1/12/04 and After 3/2/04, Export
	0ZD141D2AA	1	J, T					*DL	[D2], From 1/12/04 and Up to 3/2/04
	0ZD141L2AA	1	J, T					*DL	[L2], From 1/12/04 and Up to 3/2/04
	0ZD161L2AA	1	J, U					*DL	[L2], From 1/12/04 and Up to 3/2/04, Export
2	05071702AA	1	J, T					*DL	BRACKET AND HINGE, Rear Seat Back, 65% Right, Outboard
		1	J, U					*DL	Right, Outboard
3	05071703AA	1	J, U					*DL	BRACKET AND HINGE, Rear Seat Back, 65% Right, Inboard
		1	J, T					*DL	Right, Inboard
4	0WD161D2AA	1	J, T					*DL	COVER, Rear Seat Back, 65% [D2], Up to 1/12/04 and After 3/2/04
	0WD161L2AA	1	J, T					*DL	[L2], Up to 1/12/04 and After 3/2/04
	0WD191DVAA	1	J, U					*DL	[DV], Export
	0WD191L2AA	1	J, U					*DL	[L2], Up to 1/12/04 and After 3/2/04, Export
	0ZD181D2AA	1	J, T					*DL	[D2], From 1/12/04 and Up to 3/2/04
	0ZD181L2AA	1	J, T					*DL	[L2], From 1/12/04 and Up to 3/2/04
	0ZD201L2AA	1	J, U					*DL	[L2], From 1/12/04 and Up to 3/2/04
5	05066017AA	2	J, U					*DL	SLEEVE, Headrest Export

LIBERTY (KJ)

SERIES LINE
P = Limited J = LHD (4WD)
H = Sport U = RHD (4WD)
M = Renegade T = LHD (2WD)

BODY
74 = 4 Door (104.3 WB)

ENGINE
ED1 = Engine - 2.4L 4 Cyl DOHC 16v SMPI
EKG = Engine - 3.7L V6
ENJ = Engine -2.5L 4 Cyl 16v Turbo Diesel
ENR = Engine - 2.8L 4 Cyl Turbo Diesel
ENO = 4Cyl Turbo Diesel
EKO = All 3.7L
EDO = All 2.4L

TRANSMISSION
DDD = Transmission - 5-Speed HD Manual
DDK = Transmission - 5-Speed HD Manual
DG4 = Transmission-Multi-Speed Auto, 45RFE
DG6 = Transmission-4-Spd. Automatic, 42RLE
DGQ = Transmission-5-Spd Automatic 5-45RFE
DBB = All Manual Transmissions
DG0 = All Automatic Transmissions

AR = use ase required - = Non illustrated part

Rear Seat, Trim Code [DL]
Figure IKJ-620

ITEM	PART NUMBER	QTY	LINE	SERIES	BODY	ENGINE	TRANS	TRIM	DESCRIPTION
6		2	J, T					*DL	CAP, Headrest Adjuster, With Button
	0WA461DVAA	2	J, U					*DL	[DV], Export
	0WA461L2AA	1	J, U					*DL	[L2], Export
7		2	J, T					*DL	[D2, L2]
									CAP, Headrest Adjuster, Without Button
8	0WA311DVAA	4	J, U					*DL	[DV], Export
	0WA311L2AA	3	J, U					*DL	[L2], Export
		2	J, T					*DL	[D2, L2]
9									SEAT BACK, Rear, 35%
	0WD111D2AA	1	J, T					*DL	[D2], Up to 1/12/04 and After 3/2/04
	0WD111DVAA	1	J, U					*DL	[DV], Export
	0WD111L2AA	1	J, U					*DL	[L2], Up to 1/12/04 and After 3/2/04, Export
		1	J, T					*DL	[L2], Up to 1/12/04 and After 3/2/04
10	0ZD151D2AA	1	J, T					*DL	[D2], From 1/12/04 and Up to 3/2/04
	0ZD151L2AA	1	J, T					*DL	[L2], From 1/12/04 and Up to 3/2/04
11		1	J, U					*DL	[L2], From 1/12/04 and Up to 3/2/04, Export
									BRACKET AND HINGE, Rear Seat Back, 35%
12	05071704AA	1	J, U					*DL	Left, Inboard, Export
		1	J, T					*DL	Left, Inboard
13	05071705AA	1	J, U					*DL	Left, Outboard, Export
		1	J, T					*DL	Left, Outboard
14	0WD171D2AA	1	J, T					*DL	COVER, Rear Seat Back, 35%
									[D2], Up to 1/12/04 and After 3/2/04

LIBERTY (KJ)

SERIES LINE
P = Limited J = LHD (4WD)
H = Sport U = RHD (4WD)
M = Renegade T = LHD (2WD)

BODY
74 = 4 Door (104.3 WB)

ENGINE
ED1 = Engine - 2.4L 4 Cyl DOHC 16v SMPI
EKG = Engine - 3.7L V6
ENJ = Engine -2.5L 4 Cyl 16v Turbo Diesel
ENR = Engine - 2.8L 4 Cyl Turbo Diesel
ENO = 4Cyl Turbo Diesel
ED0 = All 2.4L

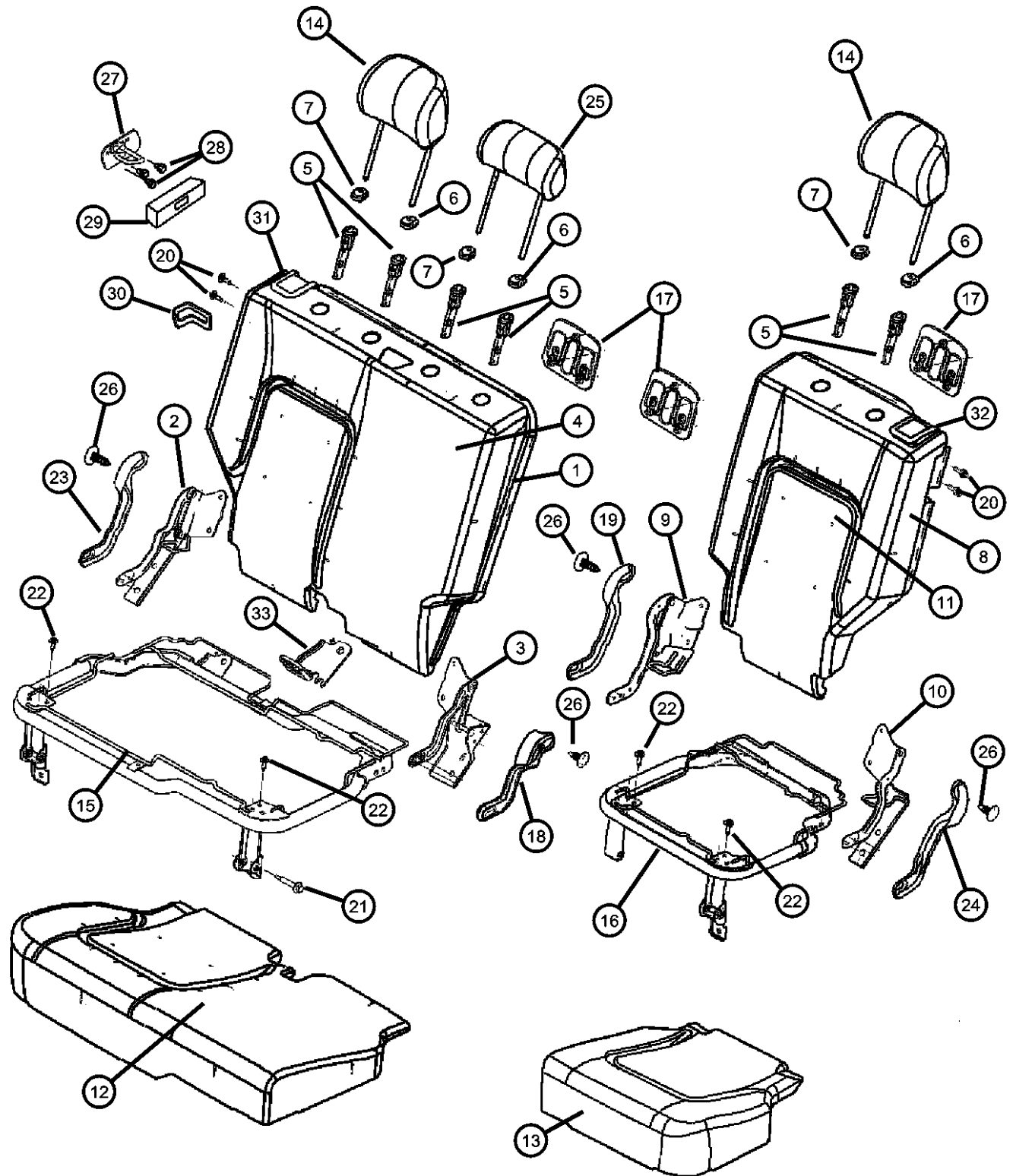
TRANSMISSION
DDD = Transmission - 5-Speed HD Manual
DDK = Transmission - 5-Speed HD Manual
DG4 = Transmission-Multi-Speed Auto, 45RFE
DG6 = Transmission-4-Spd. Automatic, 42RLE
DGQ = Transmission-5-Spd Automatic 5-45RFE
DBB = All Manual Transmissions
DG0 = All Automatic Transmissions

AR = use ase required - = Non illustrated part

2004 KJ

Rear Seat, Trim Code [DL]
Figure IKJ-620

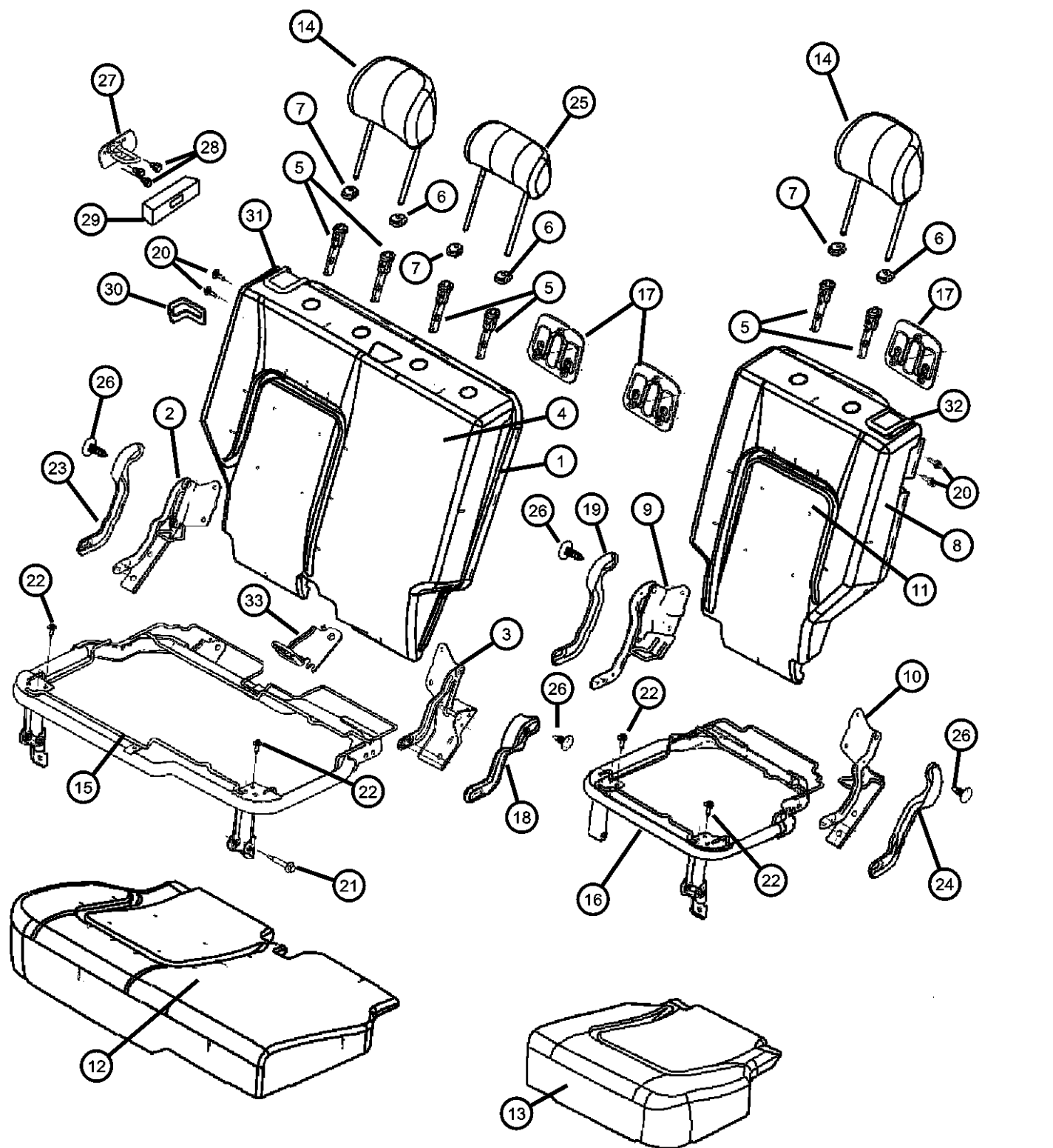
ITEM	PART NUMBER	QTY	LINE	SERIES	BODY	ENGINE	TRANS	TRIM	DESCRIPTION
	0WD171DVAA	1	J, U					*DL	[DV], Export
	0WD171L2AA	1	J, U					*DL	[L2], Up to 1/12/04 and After 3/2/04, Export
		1	J, T					*DL	[L2], Up to 1/12/04 and After 3/2/04
	0ZD191D2AA	1	J, T					*DL	[D2], From 1/12/04 and Up to 3/2/04
	0ZD191L2AA	1	J, T					*DL	[L2], From 1/12/04 and Up to 3/2/04
		1	J, U					*DL	[L2], From 1/12/04 and Up to 3/2/04
12									COVER AND PAD, Cushion, 65%
	0UZ261DVAA	1	J, U					*DL	[DV], Export
	0UZ261L2AA	1	J, U					*DL	[L2], Up to 1/12/04 and After 3/2/04, Export
		1	J, T					*DL	[D2], Up to 1/12/04 and After 3/2/04
		1	J, T					*DL	[L2], Up to 1/12/04 and After 3/2/04
	0ZD061L2AA	1	J, T					*DL	[D2], From 1/12/04 and Up to 3/2/04
		1	J, T					*DL	[L2], From 1/12/04 and Up to 3/2/04
		1	J, U					*DL	[L2], From 1/12/04 and Up to 3/2/04
13									COVER AND PAD, Cushion, 35%
	0UZ271DVAA	1	J, U					*DL	[DV], Export
	0UZ271L2AA	1	J, U					*DL	[L2], Up to 1/12/04 and After 3/2/04, Export
		1	J, T					*DL	[D2], Up to 1/12/04 and After 3/2/04
		1	J, T					*DL	[L2], Up to 1/12/04 and After 3/2/04
	0ZD071L2AA	1	J, T					*DL	[L2], From 1/12/04 and Up to 3/2/04
		1	J, T					*DL	[D2], From 1/12/04 and Up to 3/2/04
		1	J, U					*DL	[L2], From 1/12/04 and Up to 3/2/04



LIBERTY (KJ)
SERIES **LINE** **BODY** **ENGINE** **TRANSMISSION**
P = Limited J = LHD (4WD) 74 = 4 Door (104.3 WB) ED1 = Engine - 2.4L 4 Cyl DOHC 16v SMPI DDD = Transmission - 5-Speed HD Manual
H = Sport U = RHD (4WD) EKG = Engine - 3.7L V6 DDK = Transmission - 5-Speed HD Manual
M = Renegade T = LHD (2WD) ENJ = Engine -2.5L 4 Cyl 16v Turbo Diesel DG4 = Transmission-Multi-Speed Auto, 45RFE
ENR = Engine - 2.8L 4 Cyl Turbo Diesel DG6 = Transmission-4-Spd. Automatic, 42RLE
ENO = 4Cyl Turbo Diesel DGQ = Transmission-5-Spd Automatic 5-45RFE
ED0 = All 2.4L DBB = All Manual Transmissions
DG0 = All Automatic Transmissions

AR = use ase required - = Non illustrated part

Rear Seat, Trim Code [DL]
Figure IKJ-620



ITEM	PART NUMBER	QTY	LINE	SERIES	BODY	ENGINE	TRANS	TRIM	DESCRIPTION
14	0XP641DVAA	1	J, U					*DL	HEADREST, Rear [DV], Export
	0XP641L2AA	2	J, T					*DL	[D2, L2],
		2	J, U					*DL	[L2], Export
15	05072112AA	1	J, U					*DL	PANEL, Seat Cushion Base, 65% Export
		1	J, T					*DL	
16	05072113AA	1	J, U					*DL	PANEL, Seat Cushion Base, 35% Export
		1	J, T					*DL	
17	0WB441DVAA	2	J, T					*DL	BEZEL, TETHER [D2]
		2	J, U					*DL	[DV], Export
	0WB441L2AA	1	J, U					*DL	[L2], Export
	0WB441L5AA	2	J, T					*DL	[L2]
18	0UZ45TL2AA	1	J, T					*DL	COVER, Hinge [D2, L2]
		1	J, U					*DL	[L2], Export
	0UZ45XDVAA	1	J, U					*DL	[DV], Export
19	0UZ46TL2AA	1	J, U					*DL	COVER, Hinge [L2], Export
		1	J, T					*DL	[D2, L2],
	0UZ46XDVAA	1	J, U					*DL	[DV], Export
20	05072520AA	2	J, U					*DL	BOLT, Pivot Export
		2	J, T					*DL	
21	05072519AA	1	J, U					*DL	BOLT, Seat Export
		1	J, T					*DL	
22									BOLT, Cushion To Adjuster

LIBERTY (KJ)

SERIES LINE
P = Limited J = LHD (4WD)
H = Sport U = RHD (4WD)
M = Renegade T = LHD (2WD)

BODY
74 = 4 Door (104.3 WB)

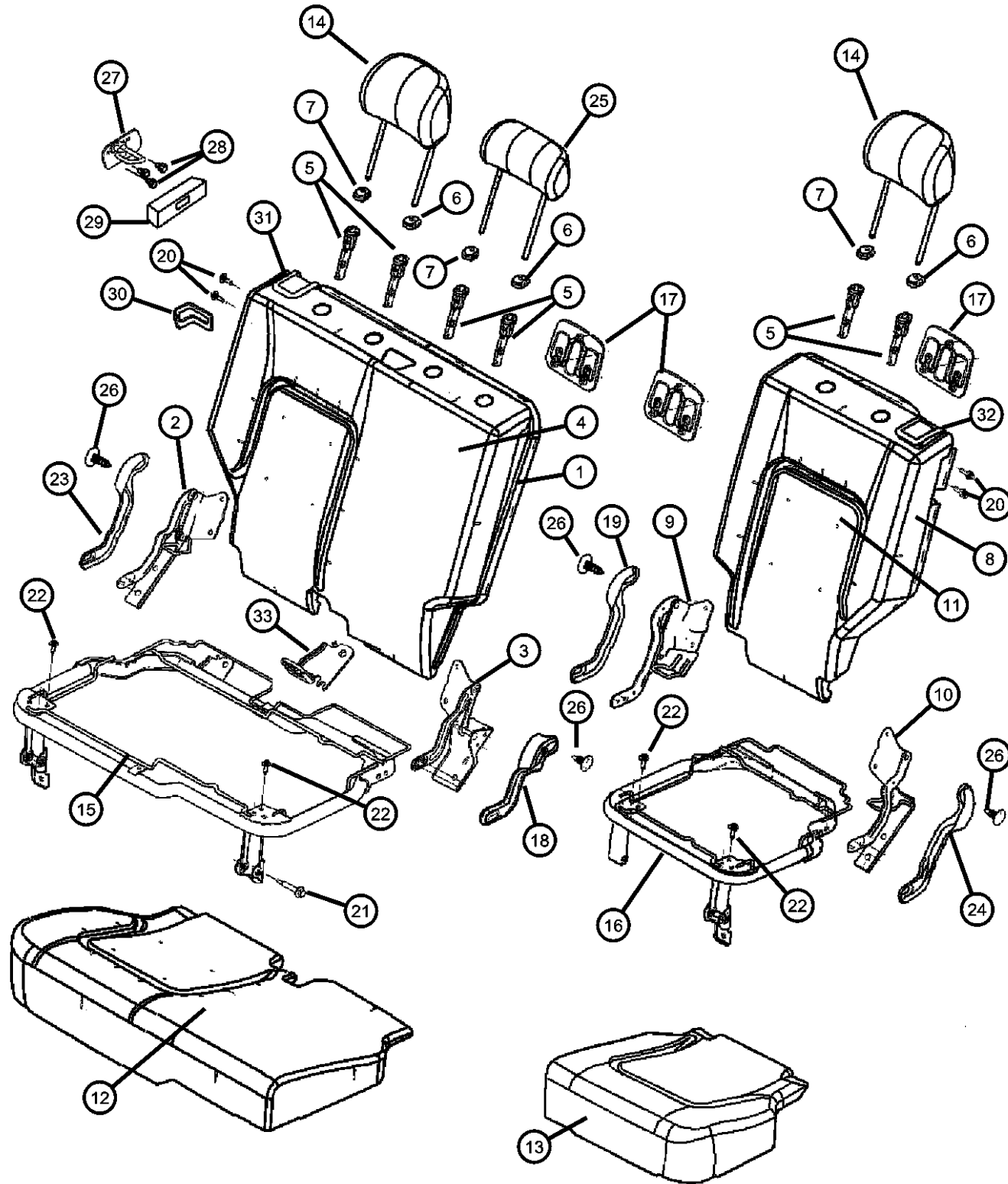
ENGINE
ED1 = Engine - 2.4L 4 Cyl
DOHC 16v SMPI
EKG = Engine - 3.7L V6
ENJ = Engine -2.5L 4 Cyl 16V
Turbo Diesel
ENR = Engine - 2.8L 4 Cyl
Turbo Diesel
ENO = 4Cyl Turbo Diesel
EKO = All 3.7L
EDO = All 2.4L

TRANSMISSION
DDD = Transmission - 5-Speed HD
Manual
DDK = Transmission - 5-Speed HD
Manual
DG4 = Transmission-Multi-Speed
Auto, 45RFE
DG6 = Transmission-4-Spd.
Automatic, 42RLE
DGQ = Transmission-5-Spd Automatic
5-45RFE
DBB = All Manual Transmissions
DG0 = All Automatic Transmissions

AR = use ase required - = Non illustrated part

2004 KJ

Rear Seat, Trim Code [DL]
Figure IKJ-620

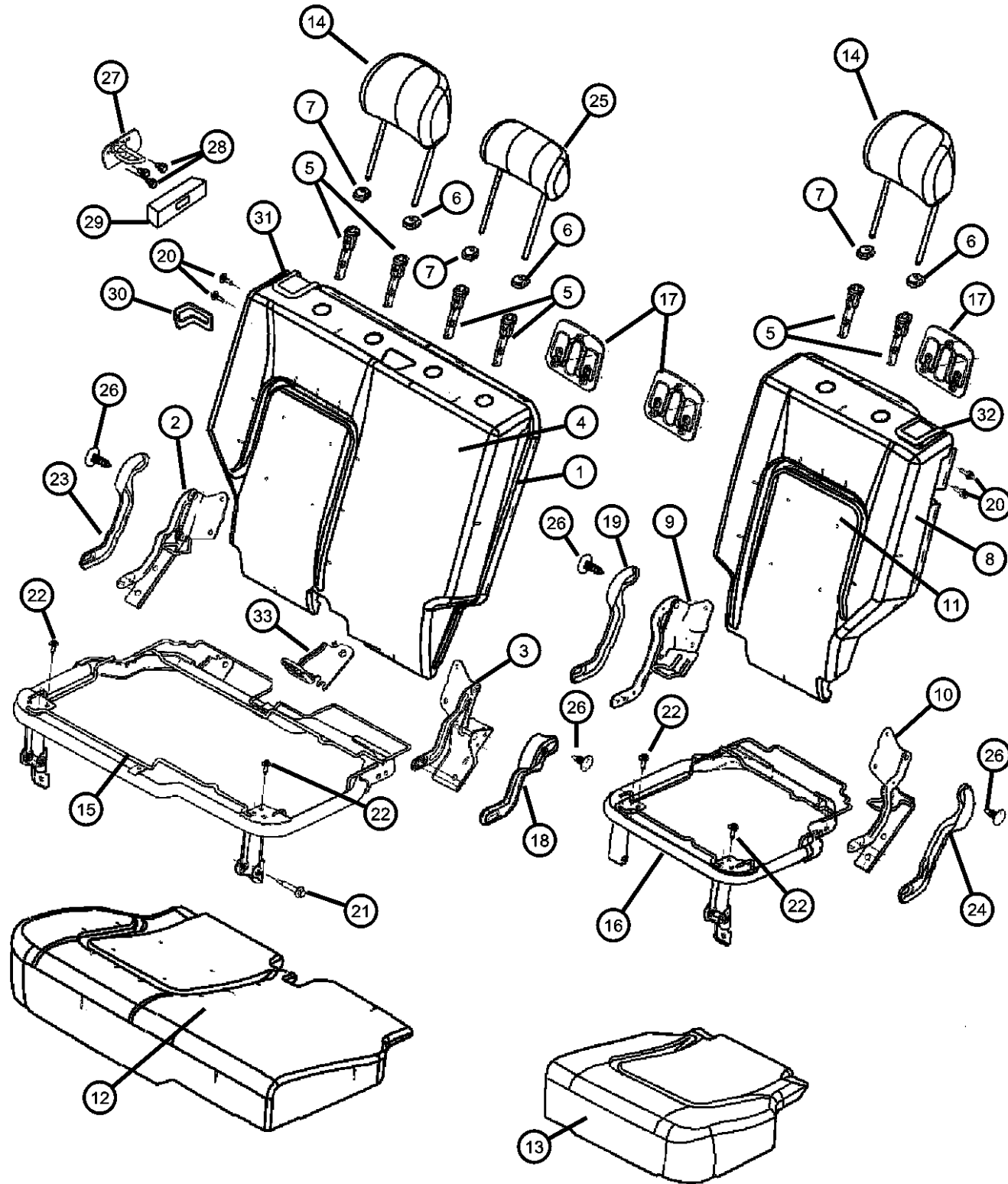


ITEM	PART NUMBER	QTY	LINE	SERIES	BODY	ENGINE	TRANS	TRIM	DESCRIPTION
	04761014	8	J, U					*DL	Export
		8	J, T					*DL	
23	0UZ44TL2AA	1	J, U					*DL	COVER, Hinge [L2], Export
	0UZ44XDVAA	1	J, T					*DL	[D2, L2], [DV], Export
24	0UZ47TL2AA	1	J, U					*DL	COVER, Hinge [L2], Export
	0UZ47XDVAA	1	J, T					*DL	[D2, L2], [DV], Export
25	0WA481DVAA	1	J, U					*DL	HEADREST, Rear [DV], Export
	0WA481L2AA	1	J, U					*DL	[L2], Export
26	0WA511L2AA	2	J, U					*DL	PIN, Push [L2], Export
	0WA51XD-VAA	2	J, T					*DL	[D2, L2], [DV], Export
27	55352816AB	1							STRIKER, Seat Back Latch Right
	55352817AB	1							Left
28	06505434AA	6							SCREW, M8-1.25
29	55352839AC	2							BEZEL, Seat Latch
30	0WA92WL8AA	1	J, U					*DL	BEZEL, Seat Latch [L2], Export
	0WA92XD-VAA	1	J, T					*DL	[L2], [DV], Export
		1	J, U					*DL	[DV], Export
31		1	J, T					*DL	CONTROL, SEAT RELEASE, With Cable and Latch [D2]

LIBERTY (KJ)				
SERIES	LINE	BODY	ENGINE	TRANSMISSION
P = Limited	J = LHD (4WD)	74 = 4 Door (104.3 WB)	ED1 = Engine - 2.4L 4 Cyl DOHC 16v SMPI	DDD = Transmission - 5-Speed HD Manual
H = Sport	U = RHD (4WD)		EKG = Engine - 3.7L V6	DDK = Transmission - 5-Speed HD Manual
M = Renegade	T = LHD (2WD)		ENJ = Engine -2.5L 4 Cyl 16v Turbo Diesel	DG4 = Transmission-Multi-Speed Auto, 45RFE
			ENR = Engine - 2.8L 4 Cyl Turbo Diesel	DG6 = Transmission-4-Spd. Automatic, 42RLE
			ENO = 4Cyl Turbo Diesel	DGQ = Transmission-5-Spd Automatic 5-45RFE
			EKO = All 3.7L	DBB = All Manual Transmissions
			EDO = All 2.4L	DG0 = All Automatic Transmissions

AR = use ase required - = Non illustrated part

Rear Seat, Trim Code [DL]
Figure IKJ-620



ITEM	PART NUMBER	QTY	LINE	SERIES	BODY	ENGINE	TRANS	TRIM	DESCRIPTION
	0XF781DVAB	1	J, U					*DL	[DV], Export
	0XF781L2AB	1	J, T					*DL	[D2, L2],
		1	J, U					*DL	[L2], Export
32									CONTROL, SEAT RELEASE, With Latch
	0XF791DVAB	1	J, U					*DL	[DV], Export
	0XF791L2AB	1	J, T					*DL	[D2, L2],
		1	J, U					*DL	[L2], Export
33									BRACKET, Child Tether Anchor
	05134366AA	1	J, T					*DL	
		1	J, U					*DL	

LIBERTY (KJ)

SERIES

P = Limited
H = Sport
M = Renegade

LINE

J = LHD (4WD)
U = RHD (4WD)
T = LHD (2WD)

BODY

74 = 4 Door (104.3 WB)

ENGINE

ED1 = Engine - 2.4L 4 Cyl
DOHC 16v SMPI
EKG = Engine - 3.7L V6
ENJ = Engine -2.5L 4 Cyl 16V
Turbo Diesel
ENR = Engine - 2.8L 4 Cyl
Turbo Diesel
ENO = 4Cyl Turbo Diesel
EKO = All 3.7L
EDO = All 2.4L

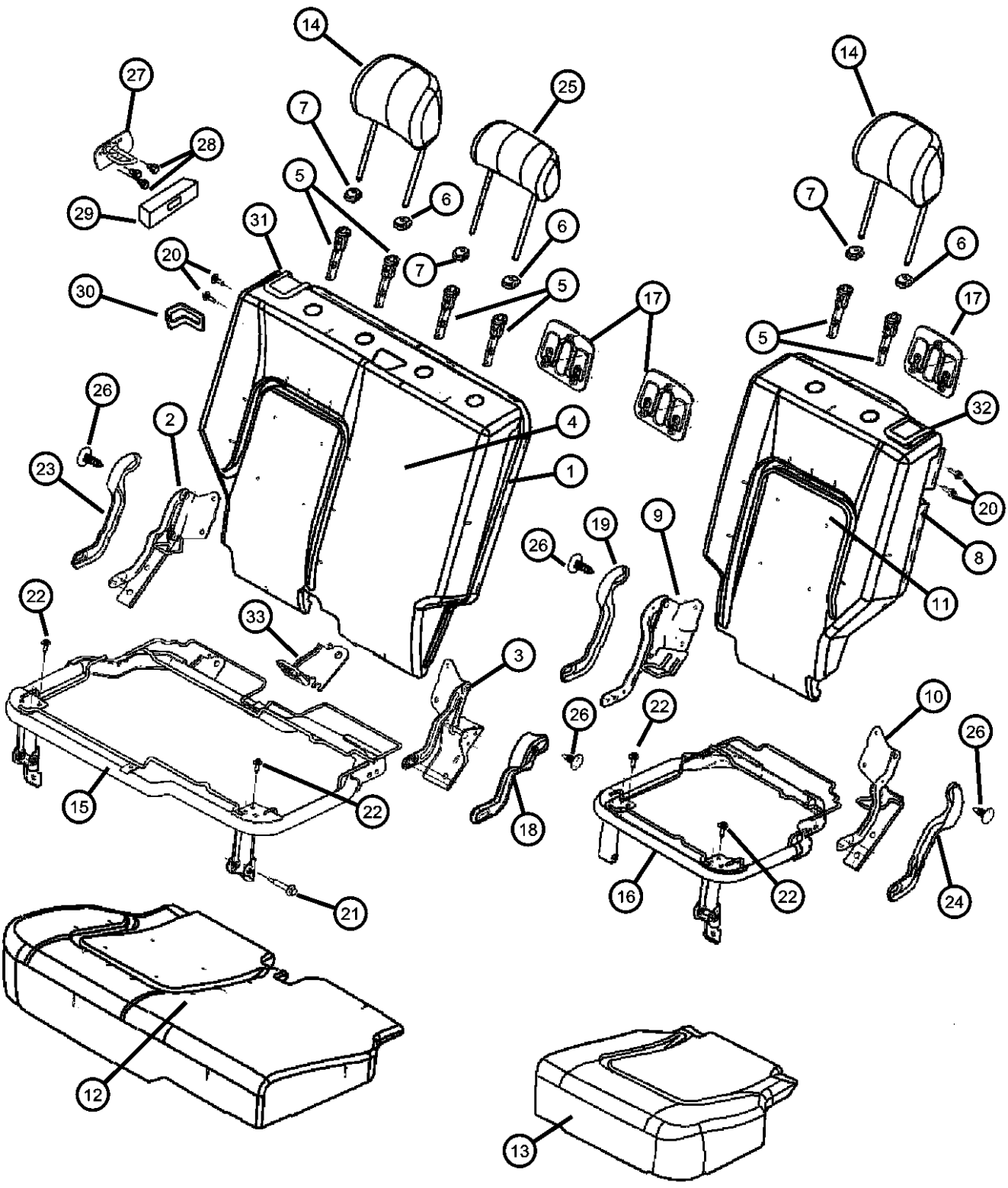
TRANSMISSION

DDD = Transmission - 5-Speed HD
Manual
DDK = Transmission - 5-Speed HD
Manual
DG4 = Transmission-Multi-Speed
Auto, 45RFE
DG6 = Transmission-4-Spd.
Automatic, 42RLE
DGQ = Transmission-5-Spd Automatic
5-45RFE
DBB = All Manual Transmissions
DG0 = All Automatic Transmissions

AR = use ase required - = Non illustrated part

2004 KJ

**Rear Seat, Trim Code [XJ]
Figure IKJ-630**

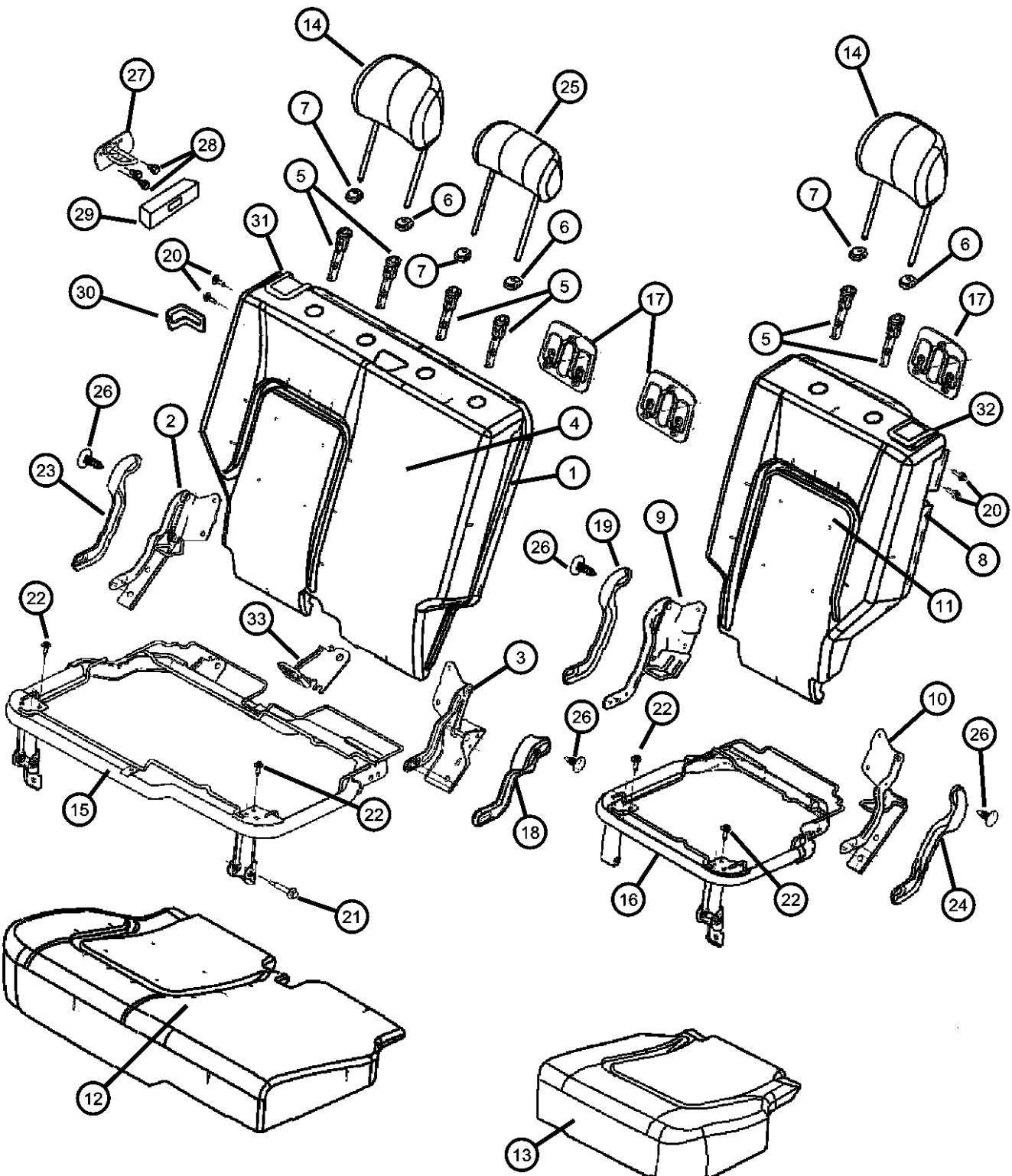


ITEM	PART NUMBER	QTY	LINE	SERIES	BODY	ENGINE	TRANS	TRIM	DESCRIPTION
1	0YG881DVAA	1	J, T					*XJ	SEAT BACK, Rear, 65% [DV]
	0YG881L5AA	1	J, T					*XJ	[L5]
	0YG921DVAA	1	J, U					*XJ	[DV], Export
	0YG921L5AA	1	J, U					*XJ	[L5], Export
2	05071702AA	1	J, T					*XJ	BRACKET AND HINGE, Rear Seat Back, 65% Right, Outboard
		1	J, U					*XJ	Right, Outboard
3	05071703AA	1	J, U					*XJ	BRACKET AND HINGE, Rear Seat Back, 65% Right, Inboard
		1	J, T					*XJ	, Inboard
4	0YG861DVAA	1	J, T					*XJ	COVER, Rear Seat Back, 65% [DV]
	0YG861L5AA	1	J, T					*XJ	[L5]
	0YG901DVAA	1	J, U					*XJ	[DV], Export
	0YG901L5AA	1	J, U					*XJ	[L5], Export
5	05066017AA	2	J, T					*XJ	SLEEVE, Headrest
		4	J, U					*XJ	
6	0WA461DVAA	1	J, T					*XJ	CAP, Headrest Adjuster, With Button [DV]
		1	J, U					*XJ	[DV], Export
	0WA461L5AA	1	J, T					*XJ	[L5]
		1	J, U					*XJ	[L5], Export
7	0WA311DVAA	3	J, U					*XJ	CAP, Headrest Adjuster, Without Button [DV], Export
		1	J, T					*XJ	[DV],
	0WA311L5AA	3	J, U					*XJ	[L5], Export
		1	J, T					*XJ	[L5]

LIBERTY (KJ)				
SERIES	LINE	BODY	ENGINE	TRANSMISSION
P = Limited	J = LHD (4WD)	74 = 4 Door (104.3 WB)	ED1 = Engine - 2.4L 4 Cyl DOHC 16v SMPI	DDD = Transmission - 5-Speed HD Manual
H = Sport	U = RHD (4WD)		EKG = Engine - 3.7L V6	DDK = Transmission - 5-Speed HD Manual
M = Renegade	T = LHD (2WD)		ENJ = Engine -2.5L 4 Cyl 16v Turbo Diesel	DG4 = Transmission-Multi-Speed Auto, 45RFE
			ENR = Engine - 2.8L 4 Cyl Turbo Diesel	DG6 = Transmission-4-Spd. Automatic, 42RLE
			ENO = 4Cyl Turbo Diesel	DGQ = Transmission-5-Spd Automatic 5-45RFE
			EK0 = All 3.7L	DBB = All Manual Transmissions
			ED0 = All 2.4L	DG0 = All Automatic Transmissions

AR = use ase required - = Non illustrated part

Rear Seat, Trim Code [XJ]
Figure IKJ-630



ITEM	PART NUMBER	QTY	LINE	SERIES	BODY	ENGINE	TRANS	TRIM	DESCRIPTION
8	0YG891DVAA	1	J, T					*XJ	SEAT BACK, Rear, 35% [DV]
		1	J, U					*XJ	[DV], Export
	0YG891L5AA	1	J, T					*XJ	[L5]
		1	J, U					*XJ	[L5], Export
9	05071704AA	1	J, U					*XJ	BRACKET AND HINGE, Rear Seat Back, 35% Left, Inboard
		1	J, T					*XJ	Left, Inboard
10	05071705AA	1	J, U					*XJ	BRACKET AND HINGE, Rear Seat Back, 35% Left, Outboard
		1	J, T					*XJ	Left, Outboard
11	0YG871DVAA	1	J, T					*XJ	COVER, Rear Seat Back, 35% [DV]
		1	J, U					*XJ	[DV]
	0YG871L5AA	1	J, T					*XJ	[L5]
		1	J, U					*XJ	[L5]
12	0YG521DVAA	1	J, T					*XJ	COVER AND PAD, Cushion, 65% [DV]
		1	J, U					*XJ	[DV]
	0YG521L5AA	1	J, U					*XJ	[L5]
		1	J, T					*XJ	[L5]
13	0YG531DVAA	1	J, T					*XJ	COVER AND PAD, Cushion, 35% [DV]
		1	J, U					*XJ	[DV]
	0YG531L5AA	1	J, T					*XJ	[L5]
		1	J, U					*XJ	[L5]
14	0XP751DVAA	2	J, T					*XJ	HEADREST, Rear [DV]
		2	J, U					*XJ	[DV]

LIBERTY (KJ)

SERIES LINE
P = Limited J = LHD (4WD)
H = Sport U = RHD (4WD)
M = Renegade T = LHD (2WD)

BODY
74 = 4 Door (104.3 WB)

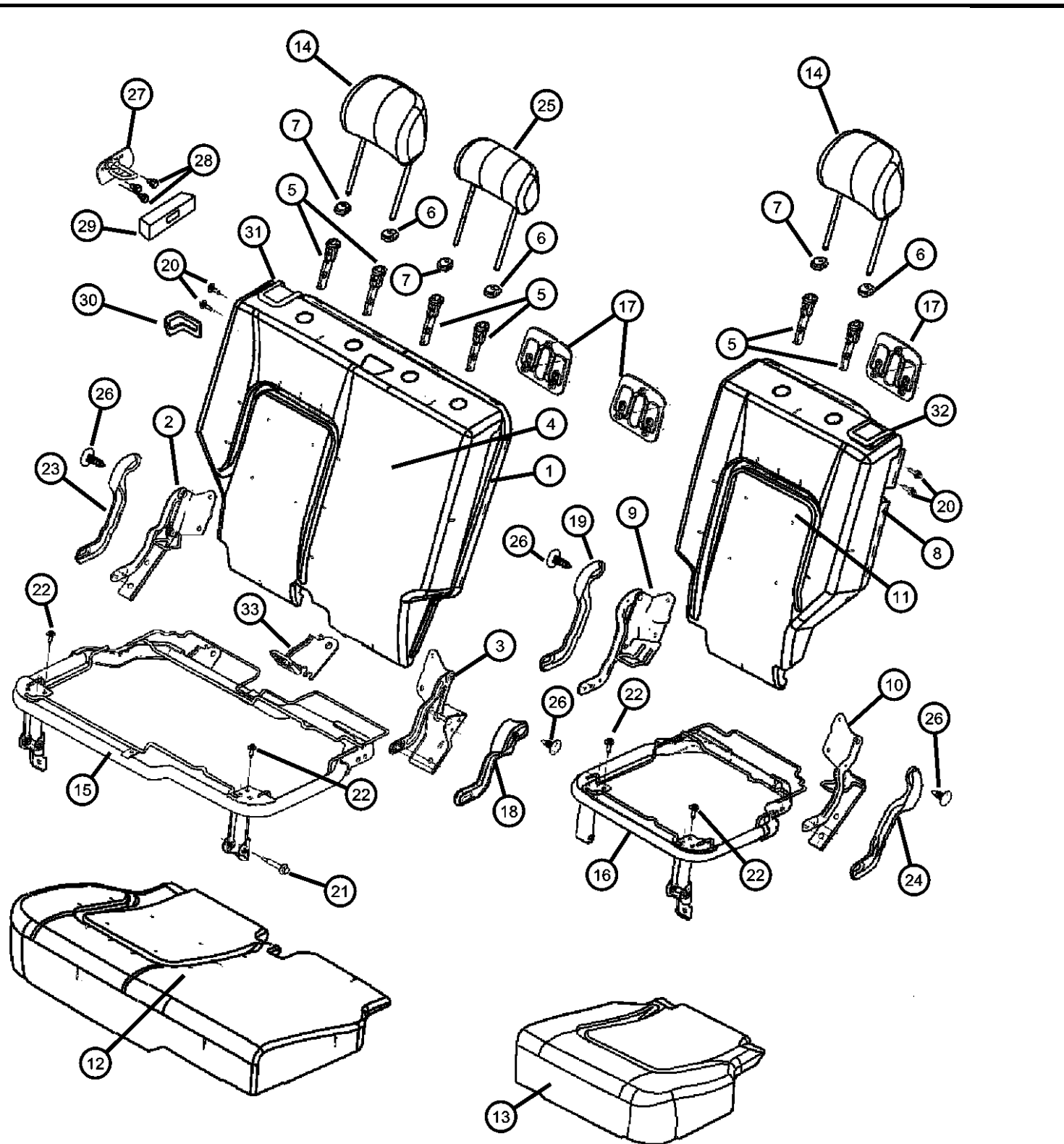
ENGINE
ED1 = Engine - 2.4L 4 Cyl DOHC 16v SMPI
EKG = Engine - 3.7L V6
ENJ = Engine -2.5L 4 Cyl 16v Turbo Diesel
ENR = Engine - 2.8L 4 Cyl Turbo Diesel
ENO = 4Cyl Turbo Diesel
EK0 = All 3.7L
ED0 = All 2.4L

TRANSMISSION
DDD = Transmission - 5-Speed HD Manual
DDK = Transmission - 5-Speed HD Manual
DG4 = Transmission-Multi-Speed Auto, 45RFE
DG6 = Transmission-4-Spd. Automatic, 42RLE
DGQ = Transmission-5-Spd Automatic 5-45RFE
DBB = All Manual Transmissions
DG0 = All Automatic Transmissions

AR = use ase required - = Non illustrated part

2004 KJ

Rear Seat, Trim Code [XJ]
Figure IKJ-630



ITEM	PART NUMBER	QTY	LINE	SERIES	BODY	ENGINE	TRANS	TRIM	DESCRIPTION
	0XP751L5AA	2	J, T					*XJ	[L5]
		2	J, U					*XJ	[L5]
15	05072112AA	1	J, U					*XJ	PANEL, Seat Cushion Base, 65%
		1	J, T					*XJ	
16	05072113AA	1	J, U					*XJ	PANEL, Seat Cushion Base, 35%
		1	J, T					*XJ	
17	0WB441DVAA	2	J, T					*XJ	BEZEL, TETHER
		2	J, U					*XJ	[DV]
	0WB441L5AA	2	J, T					*XJ	[L5]
		2	J, U					*XJ	[L5]
18	0UZ45WL5AA	1	J, T					*XJ	COVER, Hinge, Right Inboard
		1	J, U					*XJ	[L5]
	0UZ45XDVAA	1	J, U					*XJ	[DV]
		1	J, T					*XJ	[DV]
19	0UZ46WL5AA	1	J, T					*XJ	COVER, Hinge, Left Inboard
		1	J, U					*XJ	[L5]
	0UZ46XDVAA	1	J, T					*XJ	[DV]
		1	J, U					*XJ	[DV]
20	05072520AA	2	J, T					*XJ	BOLT, Pivot
		2	J, U					*XJ	
21	05072519AA	1	J, U					*XJ	BOLT, Seat
		1	J, T					*XJ	
22									BOLT, Cushion To Adjuster

LIBERTY (KJ)

SERIES LINE
P = Limited J = LHD (4WD)
H = Sport U = RHD (4WD)
M = Renegade T = LHD (2WD)

BODY
74 = 4 Door (104.3 WB)

ENGINE
ED1 = Engine - 2.4L 4 Cyl
DOHC 16v SMPI
EKG = Engine - 3.7L V6
ENJ = Engine -2.5L 4 Cyl 16V
Turbo Diesel
ENR = Engine - 2.8L 4 Cyl
Turbo Diesel
ENO = 4Cyl Turbo Diesel
EKO = All 3.7L
EDO = All 2.4L

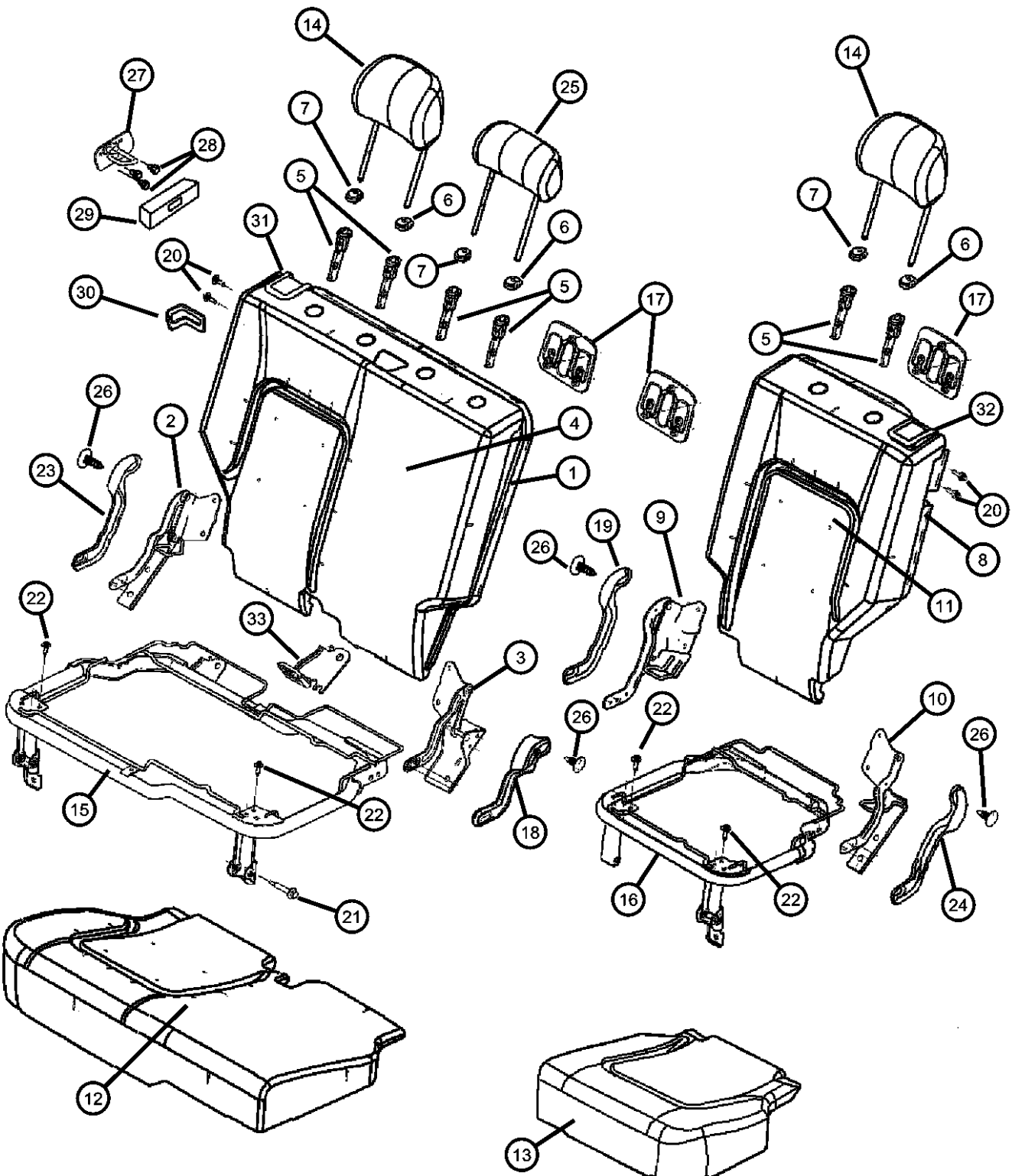
TRANSMISSION
DDD = Transmission - 5-Speed HD
Manual
DDK = Transmission - 5-Speed HD
Manual
DG4 = Transmission-Multi-Speed
Auto, 45RFE
DG6 = Transmission-4-Spd.
Automatic, 42RLE
DGQ = Transmission-5-Spd Automatic
5-45RFE
DBB = All Manual Transmissions
DG0 = All Automatic Transmissions

AR = use ase required - = Non illustrated part

2004 KJ

Rear Seat, Trim Code [XJ]

Figure IKJ-630



ITEM	PART NUMBER	QTY	LINE	SERIES	BODY	ENGINE	TRANS	TRIM	DESCRIPTION
	04761014	8	J, T					*XJ	
		8	J, U					*XJ	
23	0UZ441DVAA	1	J, T					*XJ	COVER, Hinge, Right Outboard
		1	J, U					*XJ	[DV]
	0UZ441L5AA	1	J, U					*XJ	[L5]
		1	J, T					*XJ	[L5]
24	0UZ47WL5AA	1	J, T					*XJ	COVER, Hinge, Left Outboard
		1	J, U					*XJ	[L5]
	0UZ47XDVAA	1	J, T					*XJ	[DV]
		1	J, U					*XJ	[DV]
25	0XP761DVAA	1	J, U					*XJ	HEADREST, Rear
	0XP761L5AA	1	J, U					*XJ	[L5]
26	0WA51WL5AA	2	J, T					*XJ	PIN, Push
		2	J, U					*XJ	[L5]
	0WA51XD-VAA	2	J, T					*XJ	[DV]
		2	J, U					*XJ	[DV]
27	55352816AB	1							STRIKER, Seat Back Latch
	55352817AB	1							Right
	06505434AA	6							Left
	55352839AC	2							SCREW, M8-1.25
30	0WA921DVAA	1	J, T					*XJ	BEZEL, Seat Latch
	0WA921L5AA	1	J, T					*XJ	[DV]
	0WA92WL8AA	2	J, U					*XJ	[L5]

LIBERTY (KJ)

SERIES LINE
 P = Limited J = LHD (4WD)
 H = Sport U = RHD (4WD)
 M = Renegade T = LHD (2WD)

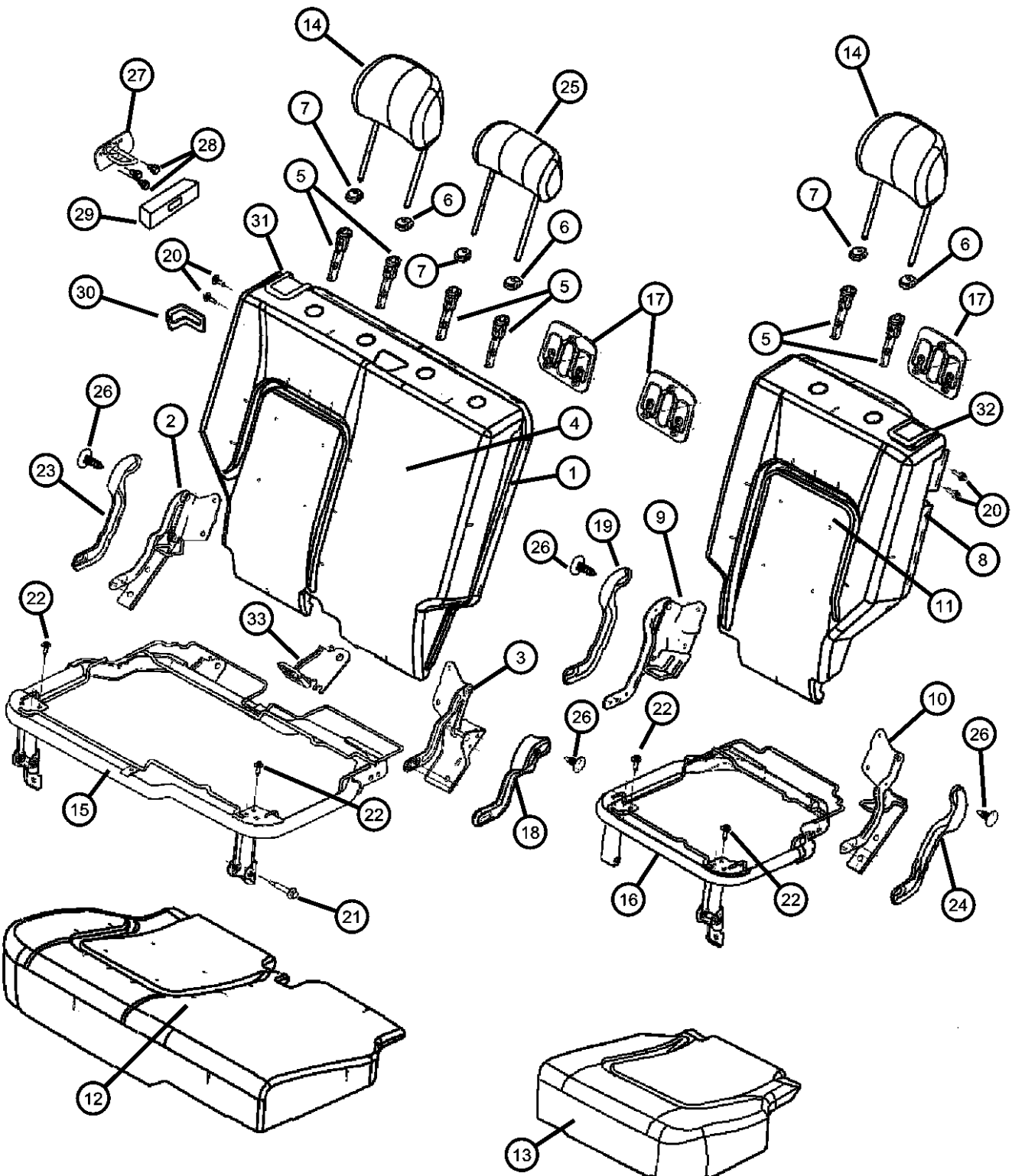
BODY
 74 = 4 Door (104.3 WB)

ENGINE
 ED1 = Engine - 2.4L 4 Cyl
 DOHC 16v SMPI
 EKG = Engine - 3.7L V6
 ENJ = Engine -2.5L 4 Cyl 16V
 Turbo Diesel
 ENR = Engine - 2.8L 4 Cyl
 Turbo Diesel
 EN0 = 4Cyl Turbo Diesel
 EK0 = All 3.7L
 ED0 = All 2.4L

TRANSMISSION
 DDD = Transmission - 5-Speed HD
 Manual
 DDK = Transmission - 5-Speed HD
 Manual
 DG4 = Transmission-Multi-Speed
 Auto, 45RFE
 DG6 = Transmission-4-Spd.
 Automatic, 42RLE
 DGQ = Transmission-5-Spd Automatic
 5-45RFE
 DBB = All Manual Transmissions
 DG0 = All Automatic Transmissions

AR = use ase required - = Non illustrated part

Rear Seat, Trim Code [XJ]
Figure IKJ-630

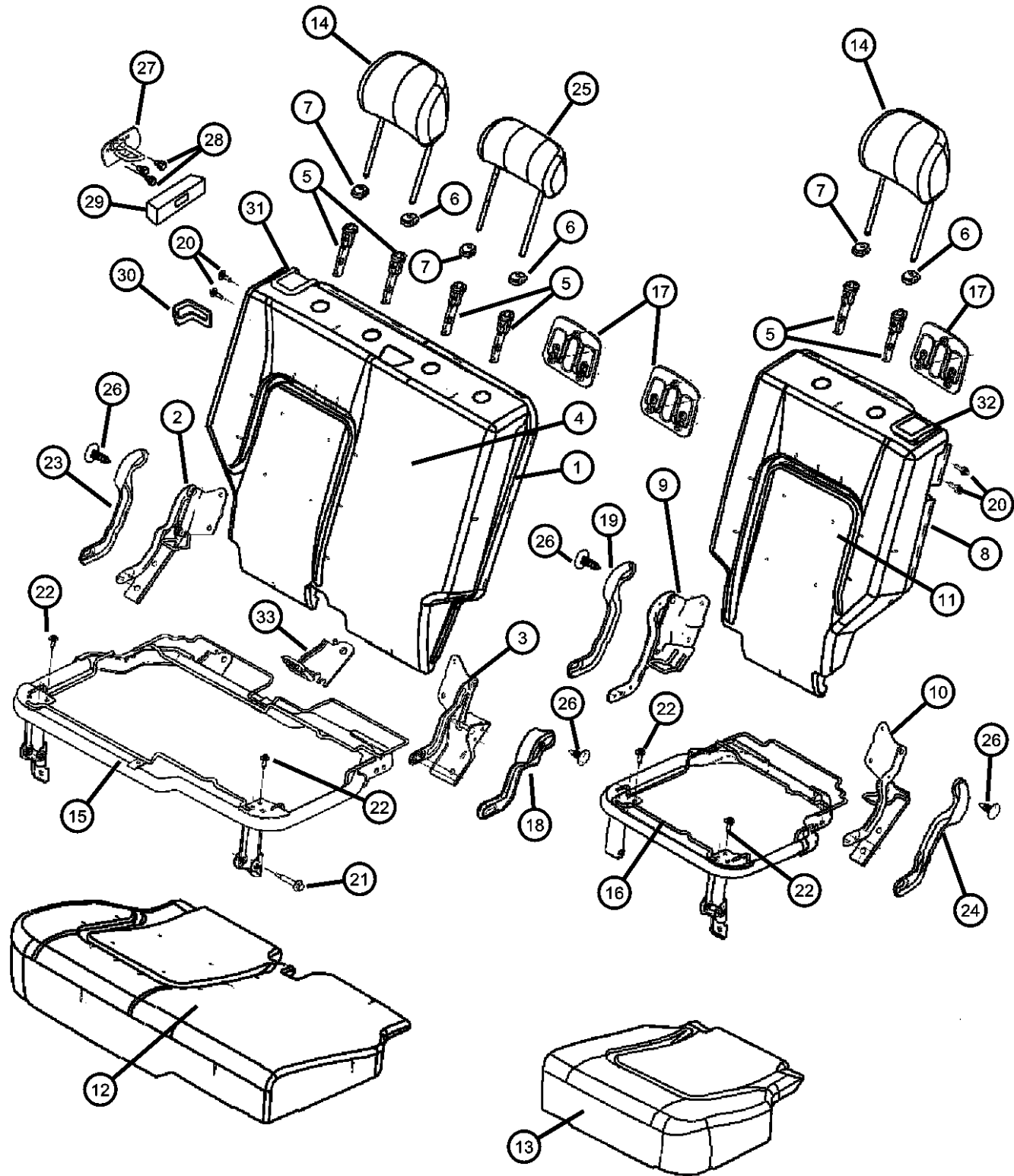


ITEM	PART NUMBER	QTY	LINE	SERIES	BODY	ENGINE	TRANS	TRIM	DESCRIPTION
31	0WA92XD-VAA	2	J, U					*XJ	[DV] CONTROL, SEAT RELEASE, With Cable and Latch
	0XF781DVAB	1	J, T					*XJ	[DV]
	0XF781L5AB	1	J, U					*XJ	[L5]
32		1	J, T					*XJ	[L5]
	0XF791DVAB	1	J, T					*XJ	[DV] CONTROL, SEAT RELEASE, With Latch
		1	J, U					*XJ	[DV]
	0XF791L5AB	1	J, T					*XJ	[L5]
33		1	J, U					*XJ	[L5]
	05134366AA	1	J, U					*XJ	BRACKET, Child Tether Anchor
		1	J, T					*XJ	

LIBERTY (KJ)				
SERIES	LINE	BODY	ENGINE	TRANSMISSION
P = Limited	J = LHD (4WD)	74 = 4 Door (104.3 WB)	ED1 = Engine - 2.4L 4 Cyl DOHC 16v SMPI	DDD = Transmission - 5-Speed HD Manual
H = Sport	U = RHD (4WD)		EKG = Engine - 3.7L V6 Turbo Diesel	DDK = Transmission - 5-Speed HD Manual
M = Renegade	T = LHD (2WD)		ENJ = Engine - 2.5L 4 Cyl 16V Turbo Diesel	DG4 = Transmission-Multi-Speed Auto, 45RFE
			ENR = Engine - 2.8L 4 Cyl Turbo Diesel	DG6 = Transmission-4-Spd. Automatic, 42RLE
			ENO = 4Cyl Turbo Diesel	DGQ = Transmission-5-Spd Automatic 5-45RFE
			EK0 = All 3.7L	DBB = All Manual Transmissions
			ED0 = All 2.4L	DG0 = All Automatic Transmissions

AR = use ase required - = Non illustrated part

Rear Seat, Trim Code [E7]
Figure IKJ-640



ITEM	PART NUMBER	QTY	LINE	SERIES	BODY	ENGINE	TRANS	TRIM	DESCRIPTION
1	0YF841DVAA	1	J, U					*E7 [DV]	SEAT BACK, Rear, 65%
	0YF841L5AA	1	J, U					*E7 [L5]	
2	05071702AA	1	J, U					*E7	BRACKET AND HINGE, Rear Seat Back, 65%Right, Outboard
3	05071703AA	1	J, U					*E7	BRACKET AND HINGE, Rear Seat Back, 65%Right, Inboard
4	0YF821DVAA	1	J, U					*E7 [DV]	COVER, Rear Seat Back, 65%
	0YF821L5AA	1	J, U					*E7 [L5]	
5	05066017AA	4	J, U					*E7	SLEEVE, Headrest
6	0WA461DVAA	2	J, U					*E7 [DV]	CAP, Headrest Adjuster, With Button
	0WA461L5AA	2	J, U					*E7 [L5]	
7	0WA311DVAA	3	J, U					*E7 [DV]	CAP, Headrest Adjuster, Without Button
	0WA311L5AA	3	J, U					*E7 [L5]	
8	0YF811DVAA	1	J, U					*E7 [DV]	SEAT BACK, Rear, 35%
	0YF811L5AA	1	J, U					*E7 [L5]	
9	05071704AA	1	J, U					*E7	BRACKET AND HINGE, Rear Seat Back, 35%Left, Inboard
10	05071705AA	1	J, U					*E7	BRACKET AND HINGE, Rear Seat Back, 35%Left, Outboard
11	0YF771DVAA	1	J, U					*E7 [DV]	COVER, Rear Seat Back, 35%
	0YF771L5AA	1	J, U					*E7 [L5]	
12	0YF861DVAA	1	J, U					*E7 [DV]	COVER AND PAD, Cushion, 65%
	0YF861L5AA	1	J, U					*E7 [L5]	
13	0YF871DVAA	1	J, U					*E7 [DV]	COVER AND PAD, Cushion, 35%

LIBERTY (KJ)

SERIES LINE
P = Limited J = LHD (4WD)
H = Sport U = RHD (4WD)
M = Renegade T = LHD (2WD)

BODY
74 = 4 Door (104.3 WB)

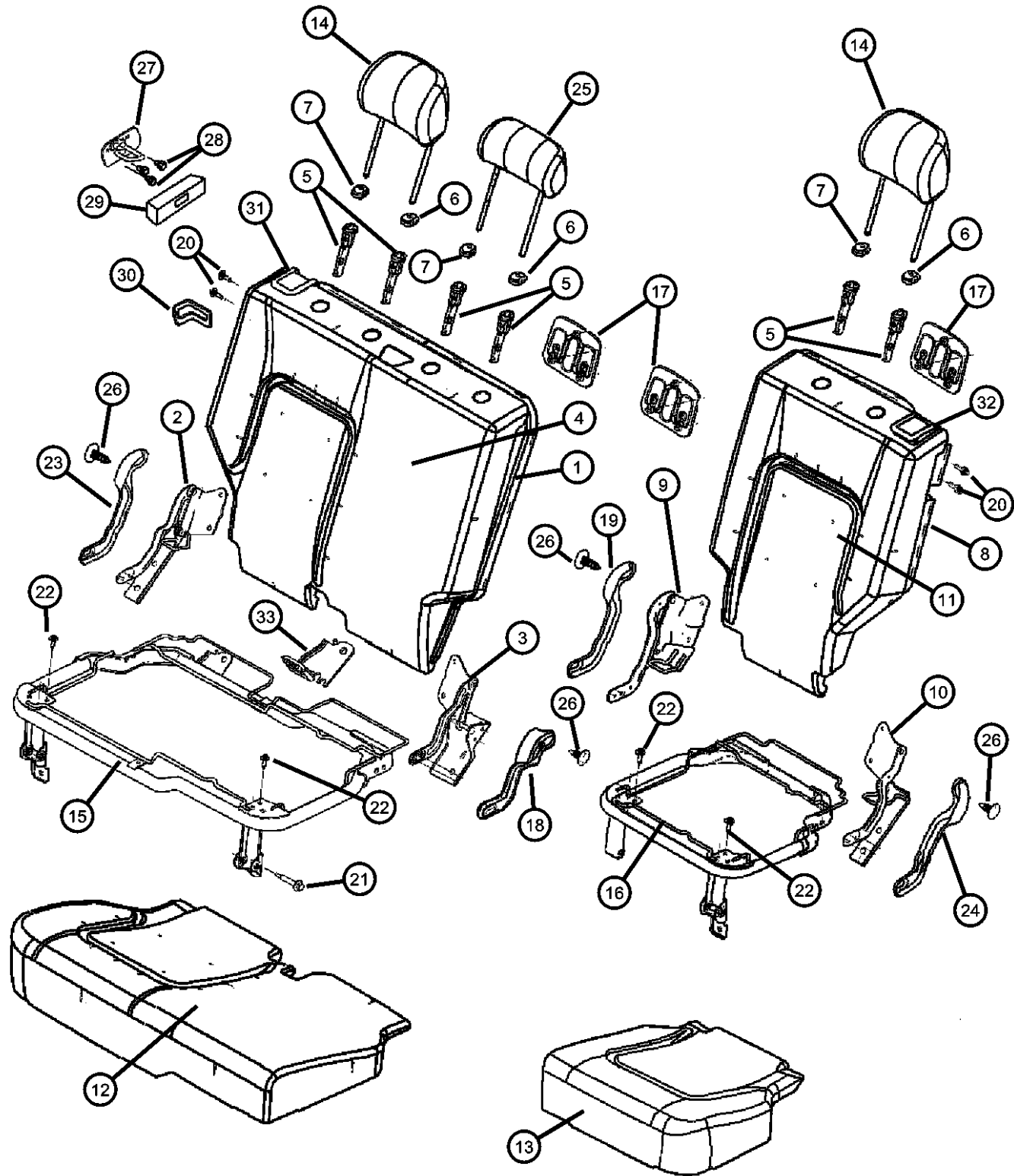
ENGINE
ED1 = Engine - 2.4L 4 Cyl DOHC 16v SMPI
EKG = Engine - 3.7L V6
ENJ = Engine -2.5L 4 Cyl 16v Turbo Diesel
ENR = Engine - 2.8L 4 Cyl Turbo Diesel
ENO = 4Cyl Turbo Diesel
EKO = All 3.7L
EDO = All 2.4L

TRANSMISSION
DDD = Transmission - 5-Speed HD Manual
DDK = Transmission - 5-Speed HD Manual
DG4 = Transmission-Multi-Speed Auto, 45RFE
DG6 = Transmission-4-Spd. Automatic, 42RLE
DGQ = Transmission-5-Spd Automatic 5-45RFE
DBB = All Manual Transmissions
DG0 = All Automatic Transmissions

AR = use ase required - = Non illustrated part

2004 KJ

Rear Seat, Trim Code [E7]
Figure IKJ-640



ITEM	PART NUMBER	QTY	LINE	SERIES	BODY	ENGINE	TRANS	TRIM	DESCRIPTION
14	0YF871L5AA	1	J, U					*E7 [L5]	HEADREST, Rear
	0YF831DVAA	2	J, U					*E7 [DV]	
	0YF831L5AA	2	J, U					*E7 [L5]	
15	05072112AA	1	J, U					*E7	PANEL, Seat Cushion Base, 65%
16	05072113AA	1	J, U					*E7	PANEL, Seat Cushion Base, 35%
17									BEZEL, TETHER
	0WB441DVAA	2	J, U					*E7 [DV]	
	0WB441L5AA	2	J, U					*E7 [L5]	
18									COVER, Hinge
	0UZ45WL5AA	1	J, U					*E7 [L5], Right, Inboard	
	0UZ45XDVAA	1	J, U					*E7 [DV], Right, Inboard	
19									COVER, Hinge
	0UZ46WL5AA	1	J, U					*E7 [L5], Left, Inboard	
	0UZ46XDVAA	1	J, U					*E7 [DV], Left, Inboard	
20	05072520AA	2	J, U					*E7	BOLT, Pivot
21	05072519AA	1	J, U					*E7	BOLT, Seat
22	04761014	8	J, U					*E7	BOLT, Cushion To Adjuster
23									COVER, Hinge
	0UZ441DVAA	1	J, U					*E7 [DV], Right, Outboard	
	0UZ441L5AA	1	J, U					*E7 [L5], Right, Outboard	
24									COVER, Hinge
	0UZ47WL5AA	1	J, U					*E7 [L5], Left, Outboard	
	0UZ47XDVAA	1	J, U					*E7 [DV], Left, Outboard	
25									HEADREST, Rear
	0YF781DVAA	1	J, U					*E7 [DV]	
	0YF781L5AA	1	J, U					*E7 [L5]	
26									PIN, Push
	0WA51WL5AA	2	J, U					*E7 [L5]	

LIBERTY (KJ)

SERIES LINE
P = Limited J = LHD (4WD)
H = Sport U = RHD (4WD)
M = Renegade T = LHD (2WD)

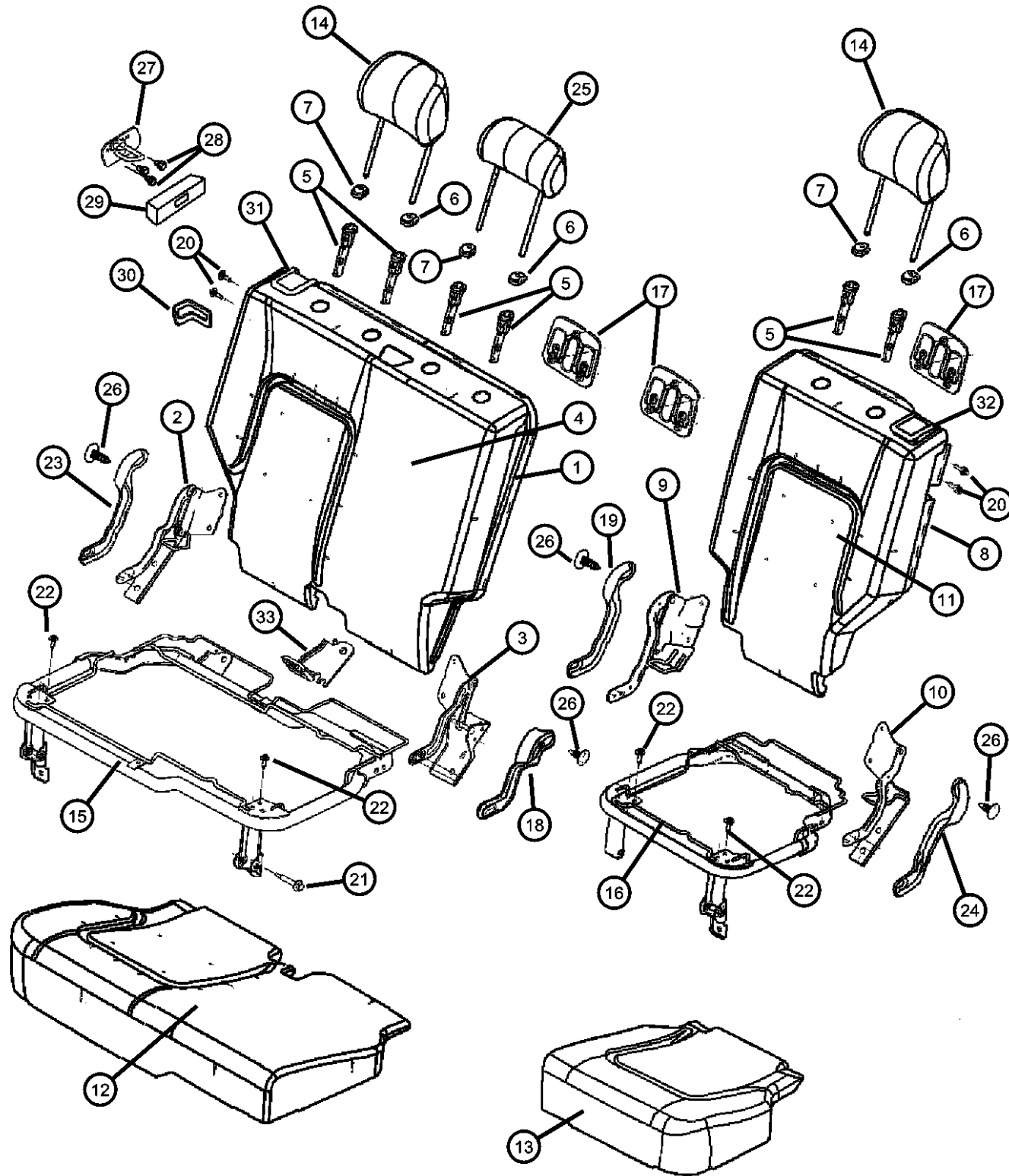
BODY
74 = 4 Door (104.3 WB)

ENGINE TRANSMISSION
ED1 = Engine - 2.4L 4 Cyl DOHC 16v SMPI
EKG = Engine - 3.7L V6
ENJ = Engine -2.5L 4 Cyl 16v Turbo Diesel
ENR = Engine - 2.8L 4 Cyl Turbo Diesel
ENO = 4Cyl Turbo Diesel
EDO = All 2.4L
DDD = Transmission - 5-Speed HD Manual
DDK = Transmission - 5-Speed HD Manual
DG4 = Transmission-Multi-Speed Auto, 45RFE
DG6 = Transmission-4-Spd. Automatic, 42RLE
DGQ = Transmission-5-Spd Automatic 5-45RFE
DBB = All Manual Transmissions
DG0 = All Automatic Transmissions

AR = use ase required - = Non illustrated part

2004 KJ

Rear Seat, Trim Code [E7]
Figure IKJ-640

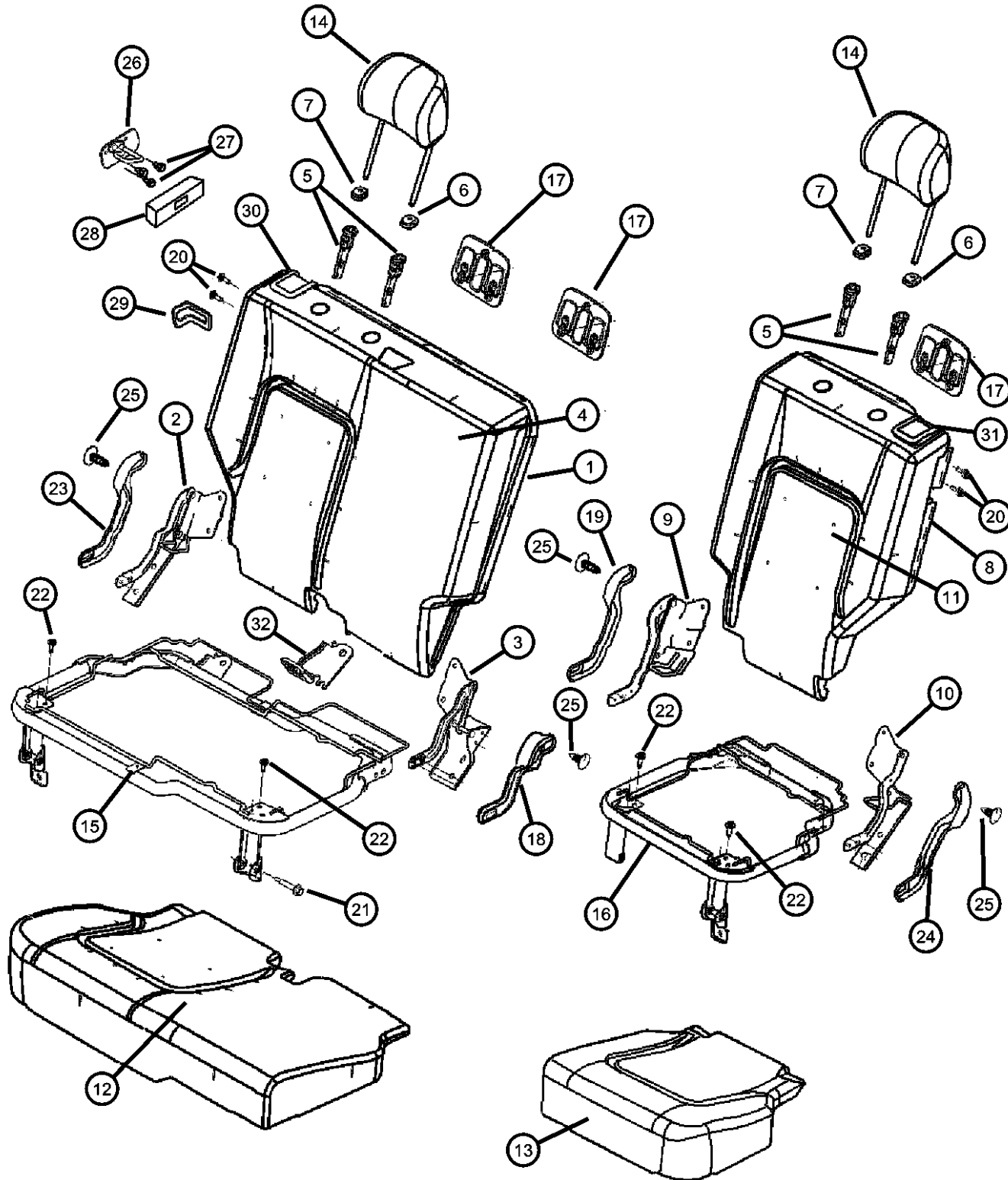


ITEM	PART NUMBER	QTY	LINE	SERIES	BODY	ENGINE	TRANS	TRIM	DESCRIPTION
	OWA51XD-VAA	2	J, U					*E7 [DV]	[DV]
27	55352816AB	1							STRIKER, Seat Back Latch Right
	55352817AB	1							Left
28	06505434AA	6							SCREW, M8-1.25
29	55352839AC	2							BEZEL, Seat Latch
30									BEZEL, Seat Latch
	OWA921DVAA	1	J, U					*E7 [DV]	[DV]
	OWA921L5AA	1	J, U					*E7 [L5]	[L5]
31									CONTROL, SEAT RELEASE, With Cable and Latch
	0XF781DVAB	1	J, U					*E7 [DV]	[DV]
	0XF781L5AB	1	J, U					*E7 [L5]	[L5]
32									CONTROL, SEAT RELEASE, With Latch
	0XF791DVAB	1	J, U					*E7 [DV]	[DV]
	0XF791L5AB	1	J, U					*E7 [L5]	[L5]
33	05134366AA	1	J, U					*E7	BRACKET, Child Tether Anchor

LIBERTY (KJ)				
SERIES	LINE	BODY	ENGINE	TRANSMISSION
P = Limited	J = LHD (4WD)	74 = 4 Door (104.3 WB)	ED1 = Engine - 2.4L 4 Cyl DOHC 16v SMPI	DDD = Transmission - 5-Speed HD Manual
H = Sport	U = RHD (4WD)		EKG = Engine - 3.7L V6 Turbo Diesel	DDK = Transmission - 5-Speed HD Manual
M = Renegade	T = LHD (2WD)		ENJ = Engine - 2.5L 4 Cyl 16V Turbo Diesel	DG4 = Transmission-Multi-Speed Auto, 45RFE
			ENR = Engine - 2.8L 4 Cyl Turbo Diesel	DG6 = Transmission-4-Spd. Automatic, 42RLE
			ENO = 4Cyl Turbo Diesel	DGQ = Transmission-5-Spd Automatic 5-45RFE
			EK0 = All 3.7L	DBB = All Manual Transmissions
			ED0 = All 2.4L	DG0 = All Automatic Transmissions

AR = use ase required - = Non illustrated part

Rear Seat, Trim Code [J5]
Figure IKJ-650



ITEM	PART NUMBER	QTY	LINE	SERIES	BODY	ENGINE	TRANS	TRIM	DESCRIPTION
1	0XG601DVAA	1						*J5 [DV]	SEAT BACK, Rear, 65%
	0XG601L5AA	1						*J5 [L5]	
2	05071702AA	1						*J5	BRACKET AND HINGE, Rear Seat Back, 65%Right, Outboard
3	05071703AA	1						*J5	BRACKET AND HINGE, Rear Seat Back, 65%Right, Inboard
4	0XG581DVAA	1						*J5 [DV]	COVER, Rear Seat Back, 65%
	0XG581L5AA	1						*J5 [L5]	
5	05066017AA	2						*J5	SLEEVE, Headrest
6	0WA461DVAA	1						*J5 [DV]	CAP, Headrest Adjuster, With Button
	0WA461L5AA	1						*J5 [L5]	
7	0WA311DVAA	1						*J5 [DV]	CAP, Headrest Adjuster, Without Button
	0WA311L5AA	1						*J5 [L5]	
8	0XG611DVAA	1						*J5 [DV]	SEAT BACK, Rear, 35%
	0XG611L5AA	1						*J5 [L5]	
9	05071704AA	1						*J5	BRACKET AND HINGE, Rear Seat Back, 35%Left, Inboard
10	05071705AA	1						*J5	BRACKET AND HINGE, Rear Seat Back, 35%Left, Outboard
11	0XG591DVAA	1						*J5 [DV]	COVER, Rear Seat Back, 35%
	0XG591L5AA	1						*J5 [L5]	
12	0XG541DVAA	1						*J5 [DV]	COVER AND PAD, Cushion, 65%
	0XG541L5AA	1						*J5 [L5]	
13	0XG551DVAA	1						*J5 [DV]	COVER AND PAD, Cushion, 35%

LIBERTY (KJ)

SERIES LINE
P = Limited J = LHD (4WD)
H = Sport U = RHD (4WD)
M = Renegade T = LHD (2WD)

BODY
74 = 4 Door (104.3 WB)

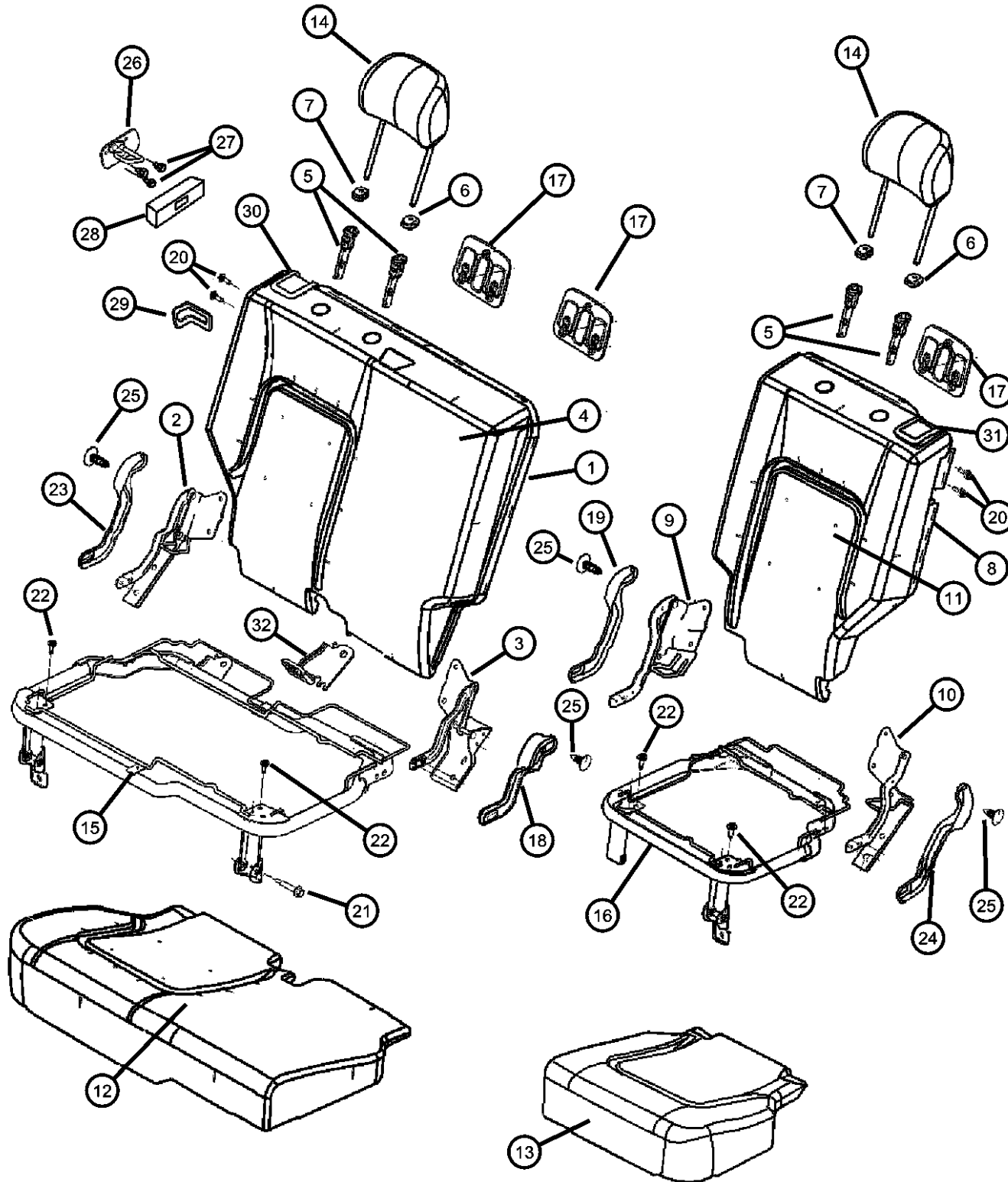
ENGINE
ED1 = Engine - 2.4L 4 Cyl DOHC 16v SMPI
EKG = Engine - 3.7L V6
ENJ = Engine -2.5L 4 Cyl 16v Turbo Diesel
ENR = Engine - 2.8L 4 Cyl Turbo Diesel
ENO = 4Cyl Turbo Diesel
EKO = All 3.7L
EDO = All 2.4L

TRANSMISSION
DDD = Transmission - 5-Speed HD Manual
DDK = Transmission - 5-Speed HD Manual
DG4 = Transmission-Multi-Speed Auto, 45RFE
DG6 = Transmission-4-Spd. Automatic, 42RLE
DGQ = Transmission-5-Spd Automatic 5-45RFE
DBB = All Manual Transmissions
DG0 = All Automatic Transmissions

AR = use ase required - = Non illustrated part

2004 KJ

Rear Seat, Trim Code [J5]
Figure IKJ-650

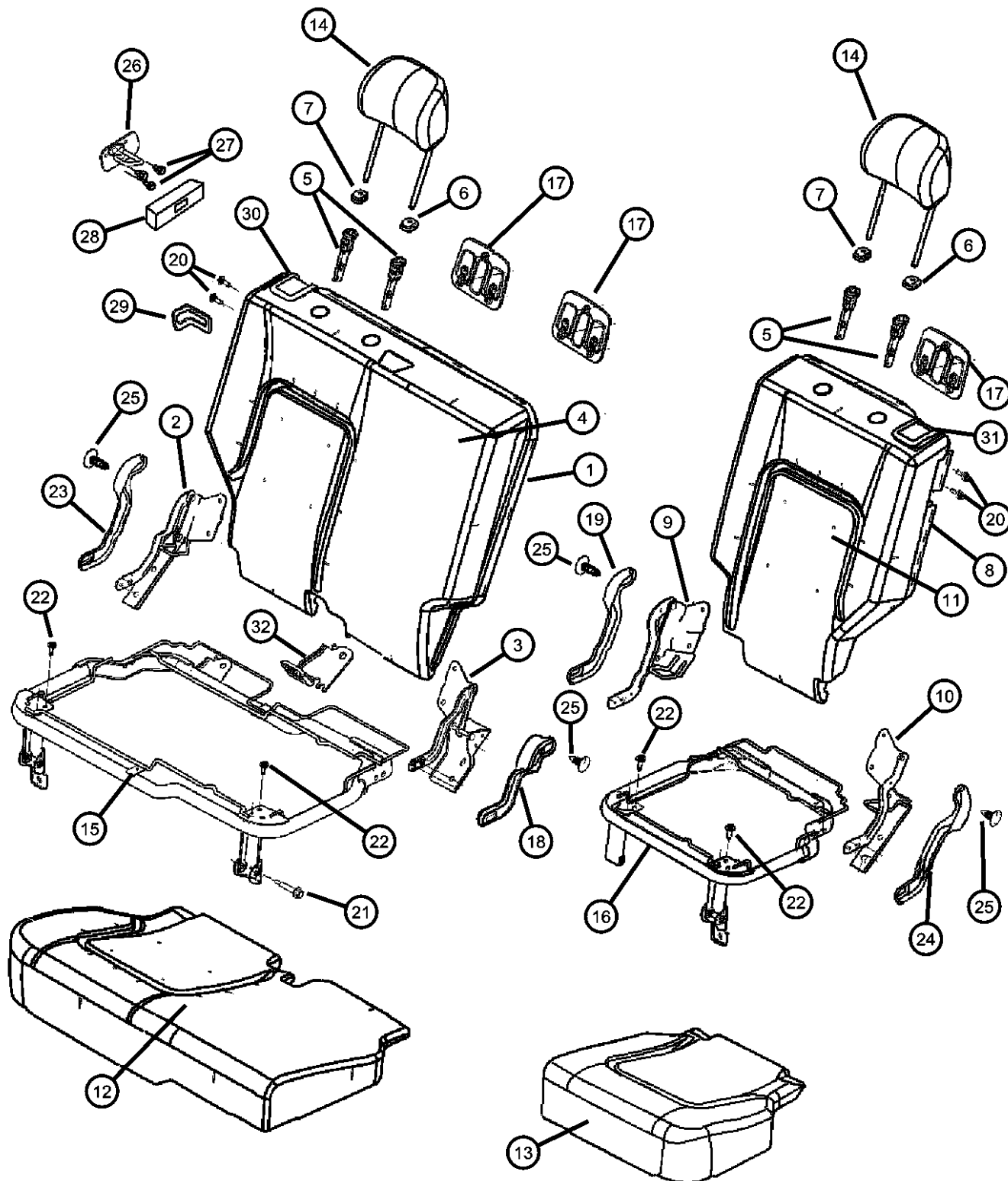


ITEM	PART NUMBER	QTY	LINE	SERIES	BODY	ENGINE	TRANS	TRIM	DESCRIPTION
14	0XG551L5AA	1						*J5 [L5]	HEADREST, Rear
	0XG561DVAA	2						*J5 [DV]	
	0XG561L5AA	2						*J5 [L5]	
15	05072112AA	1						*J5	PANEL, Seat Cushion Base, 65%
16	05072113AA	1						*J5	PANEL, Seat Cushion Base, 35%
17									BEZEL, TETHER
	0WB441DVAA	2						*J5 [DV]	
	0WB441L5AA	2						*J5 [L5]	
18									COVER, Hinge
	0UZ45WL5AA	1						*J5 [L5]	[L5], Right, Inboard
	0UZ45XDVAA	1						*J5 [DV]	[DV], Right, Inboard
19									COVER, Hinge
	0UZ46WL5AA	1						*J5 [L5]	[L5], Left, Inboard
	0UZ46XDVAA	1						*J5 [DV]	[DV], Left, Inboard
20	05072520AA	2						*J5	BOLT, Pivot
21	05072519AA	1						*J5	BOLT, Seat
22	04761014	8						*J5	BOLT, Cushion To Adjuster
23									COVER, Hinge
	0UZ44WL5AA	1						*J5 [L5]	[L5], Right, Outboard
	0UZ44XDVAA	1						*J5 [DV]	[DV], Right, Outboard
24									COVER, Hinge
	0UZ47WL5AA	1						*J5 [L5]	[L5], Left, Outboard
	0UZ47XDVAA	1						*J5 [DV]	[DV], Left, Outboard
25									PIN, Push
	0WA51XD-VAA	30						*J5 [L5]	
		30						*J5 [DV]	
26									STRIKER, Seat Back Latch Right
	55352816AB	1							

LIBERTY (KJ)				
SERIES	LINE	BODY	ENGINE	TRANSMISSION
P = Limited	J = LHD (4WD)	74 = 4 Door (104.3 WB)	ED1 = Engine - 2.4L 4 Cyl DOHC 16v SMPI	DDD = Transmission - 5-Speed HD Manual
H = Sport	U = RHD (4WD)		EKG = Engine - 3.7L V6	DDK = Transmission - 5-Speed HD Manual
M = Renegade	T = LHD (2WD)		ENJ = Engine -2.5L 4 Cyl 16v Turbo Diesel	DG4 = Transmission-Multi-Speed Auto, 45RFE
			ENR = Engine - 2.8L 4 Cyl Turbo Diesel	DG6 = Transmission-4-Spd. Automatic, 42RLE
			ENO = 4Cyl Turbo Diesel	DGQ = Transmission-5-Spd Automatic 5-45RFE
			EK0 = All 3.7L	DBB = All Manual Transmissions
			ED0 = All 2.4L	DG0 = All Automatic Transmissions

AR = use ase required - = Non illustrated part

Rear Seat, Trim Code [J5]
Figure IKJ-650



ITEM	PART NUMBER	QTY	LINE	SERIES	BODY	ENGINE	TRANS	TRIM	DESCRIPTION
	55352817AB	1							Left
27	06505434AA	6							SCREW, M8-1.25
28	55352839AC	2							BEZEL, Seat Latch
29									BEZEL, Seat Latch
	0WA92WL8AA	2						*J5	[L5]
	0WA92XD-VAA	2						*J5	[DV]
30									CONTROL, SEAT RELEASE, With Cable and Latch
	0XF781DVAB	1						*J5	[DV]
	0XF781L5AB	1						*J5	[L5]
31									CONTROL, SEAT RELEASE, With Latch
	0XF791DVAB	1						*J5	[DV]
	0XF791L5AB	1						*J5	[L5]
32	05134366AA	1						*J5	BRACKET, Child Tether Anchor

LIBERTY (KJ)

SERIES LINE
P = Limited J = LHD (4WD)
H = Sport U = RHD (4WD)
M = Renegade T = LHD (2WD)

BODY
74 = 4 Door (104.3 WB)

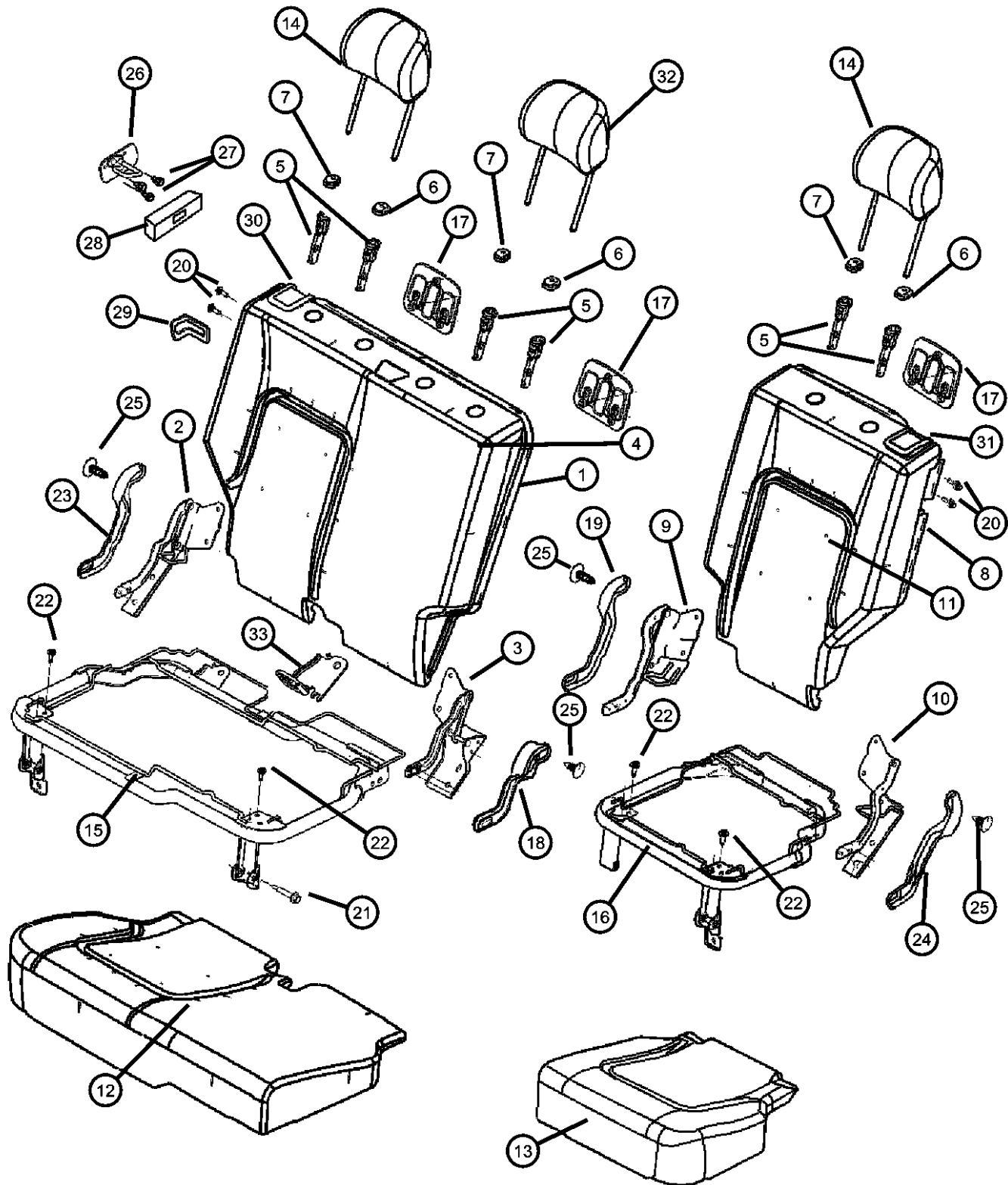
ENGINE
ED1 = Engine - 2.4L 4 Cyl DOHC 16v SMPI
EKG = Engine - 3.7L V6
ENJ = Engine -2.5L 4 Cyl 16V Turbo Diesel
ENR = Engine - 2.8L 4 Cyl Turbo Diesel
ENO = 4Cyl Turbo Diesel
EKO = All 3.7L
EDO = All 2.4L

TRANSMISSION
DDD = Transmission - 5-Speed HD Manual
DDK = Transmission - 5-Speed HD Manual
DG4 = Transmission-Multi-Speed Auto, 45RFE
DG6 = Transmission-4-Spd. Automatic, 42RLE
DGQ = Transmission-5-Spd Automatic 5-45RFE
DBB = All Manual Transmissions
DG0 = All Automatic Transmissions

AR = use ase required - = Non illustrated part

2004 KJ

Rear Seat, Trim Code [F7]
Figure IKJ-660



ITEM	PART NUMBER	QTY	LINE	SERIES	BODY	ENGINE	TRANS	TRIM	DESCRIPTION
1	0XH241DVAA	1						*F7 [DV]	SEAT BACK, Rear, 65%
	0XH241L5AA	1						*F7 [L5]	
2	05071702AA	1						*F7	BRACKET AND HINGE, Rear Seat Back, 65%Right, Outboard
3	05071703AA	1						*F7	BRACKET AND HINGE, Rear Seat Back, 65%Right, Inboard
4	0XH261DVAA	1						*F7 [DV]	COVER, Rear Seat Back, 65%
	0XH261L5AA	1						*F7 [L5]	
5	05066017AA	2						*F7	SLEEVE, Headrest
6	0WA461DVAA	1						*F7 [DV]	CAP, Headrest Adjuster, With Button
	0WA461L5AA	1						*F7 [L5]	
7	0WA311DVAA	1						*F7 [DV]	CAP, Headrest Adjuster, Without Button
	0WA311L5AA	1						*F7 [L5]	
8	0XG611DVAA	1						*F7 [DV]	SEAT BACK, Rear, 35%
	0XG611L5AA	1						*F7 [L5]	
9	05071704AA	1						*F7	BRACKET AND HINGE, Rear Seat Back, 35%Left, Inboard
10	05071705AA	1						*F7	BRACKET AND HINGE, Rear Seat Back, 35%Left, Outboard
11	0XG591DVAA	1						*F7 [DV]	COVER, Rear Seat Back, 35%
	0XG591L5AA	1						*F7 [L5]	
12	0XG541DVAA	1						*F7 [DV]	COVER AND PAD, Cushion, 65%
	0XG541L5AA	1						*F7 [L5]	
13	0XG551DVAA	1						*F7 [DV]	COVER AND PAD, Cushion, 35%

LIBERTY (KJ)

SERIES LINE
P = Limited J = LHD (4WD)
H = Sport U = RHD (4WD)
M = Renegade T = LHD (2WD)

BODY
74 = 4 Door (104.3 WB)

ENGINE
ED1 = Engine - 2.4L 4 Cyl DOHC 16v SMPI
EKG = Engine - 3.7L V6
ENJ = Engine -2.5L 4 Cyl 16v Turbo Diesel
ENR = Engine - 2.8L 4 Cyl Turbo Diesel
ENO = 4Cyl Turbo Diesel
EKO = All 3.7L
EDO = All 2.4L

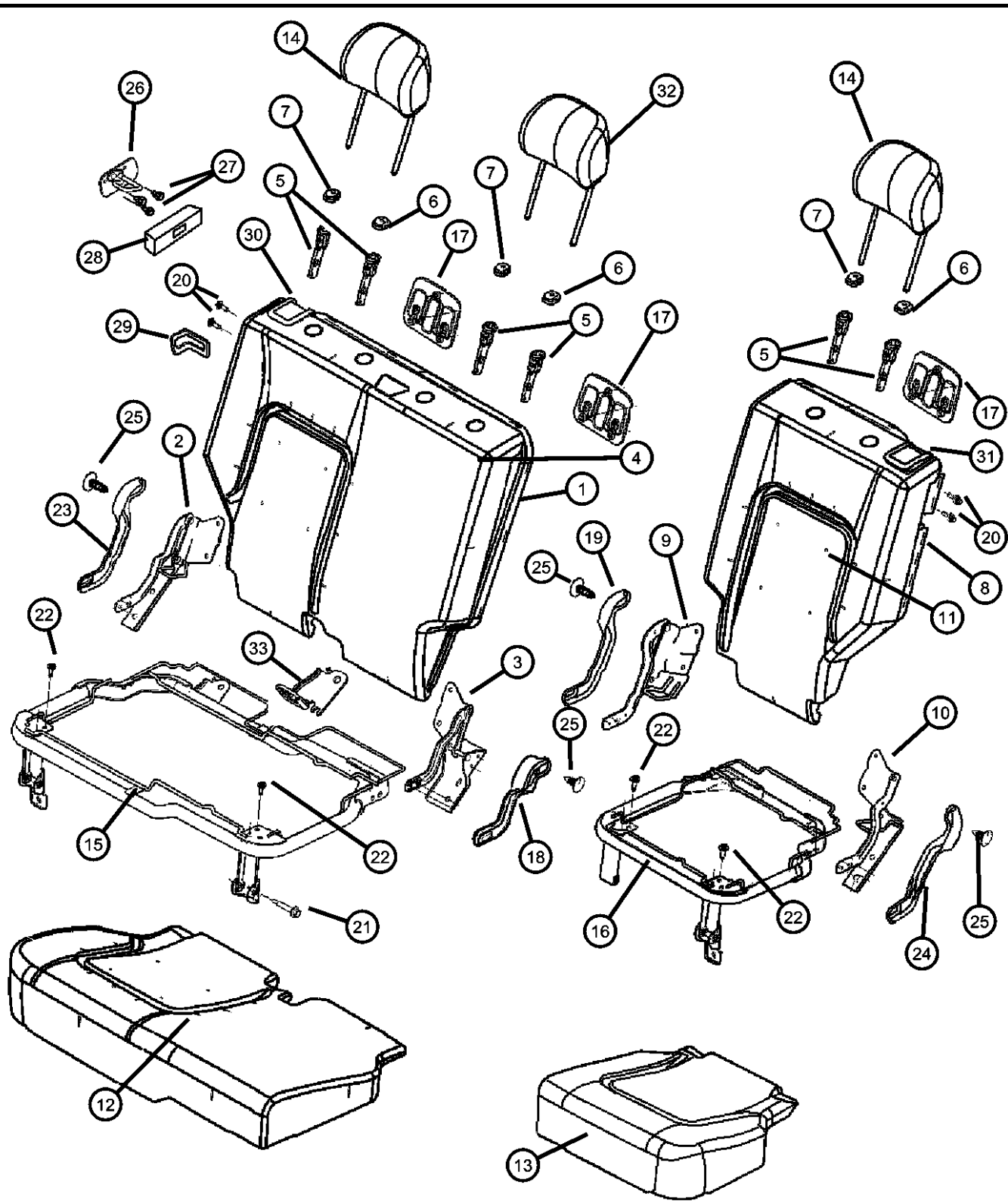
TRANSMISSION
DDD = Transmission - 5-Speed HD Manual
DDK = Transmission - 5-Speed HD Manual
DG4 = Transmission-Multi-Speed Auto, 45RFE
DG6 = Transmission-4-Spd. Automatic, 42RLE
DGQ = Transmission-5-Spd Automatic 5-45RFE
DBB = All Manual Transmissions
DG0 = All Automatic Transmissions

AR = use ase required - = Non illustrated part

2004 KJ

Rear Seat, Trim Code [F7]

Figure IKJ-660



ITEM	PART NUMBER	QTY	LINE	SERIES	BODY	ENGINE	TRANS	TRIM	DESCRIPTION
14	0XG551L5AA	1						*F7 [L5]	HEADREST, Rear
	0XG561DVAA	2						*F7 [DV]	
	0XG561L5AA	2						*F7 [L5]	
15	05072112AA	1						*F7	PANEL, Seat Cushion Base, 65%
16	05072113AA	1						*F7	PANEL, Seat Cushion Base, 35%
17									BEZEL, TETHER
	0WB441DVAA	1						*F7 [DV]	
	0WB441L5AA	1						*F7 [L5]	
18									COVER, Hinge
	0UZ45WL5AA	1						*F7 [L5]	COVER, Hinge, Right, Inboard
	0UZ45XDVAA	1						*F7 [DV]	COVER, Hinge, Right, Inboard
19									COVER, Hinge
	0UZ46WL5AA	1						*F7 [L5]	COVER, Hinge, Left, Inboard
	0UZ46XDVAA	1						*F7 [DV]	COVER, Hinge, Left, Inboard
20	05072520AA	2						*F7	BOLT, Pivot
21	05072519AA	1						*F7	BOLT, Seat
22	04761014	8						*F7	BOLT, Cushion To Adjuster
23									COVER, Hinge
	0UZ44WL5AA	1						*F7 [L5]	COVER, Hinge, Right, Outboard
	0UZ44XDVAA	1						*F7 [DV]	COVER, Hinge, Right, Outboard
24									COVER, Hinge
	0UZ47WL5AA	1						*F7 [L5]	COVER, Hinge, Left, Outboard
	0UZ47XDVAA	1						*F7 [DV]	COVER, Hinge, Left, Outboard
25									PIN, Push
	0WA51WL5AA	30						*F7 [L5]	
	0WA51XD-VAA	30						*F7 [DV]	
26									STRIKER, Seat Back Latch Right
	55352816AB	1							

LIBERTY (KJ)

SERIES LINE
 P = Limited J = LHD (4WD)
 H = Sport U = RHD (4WD)
 M = Renegade T = LHD (2WD)

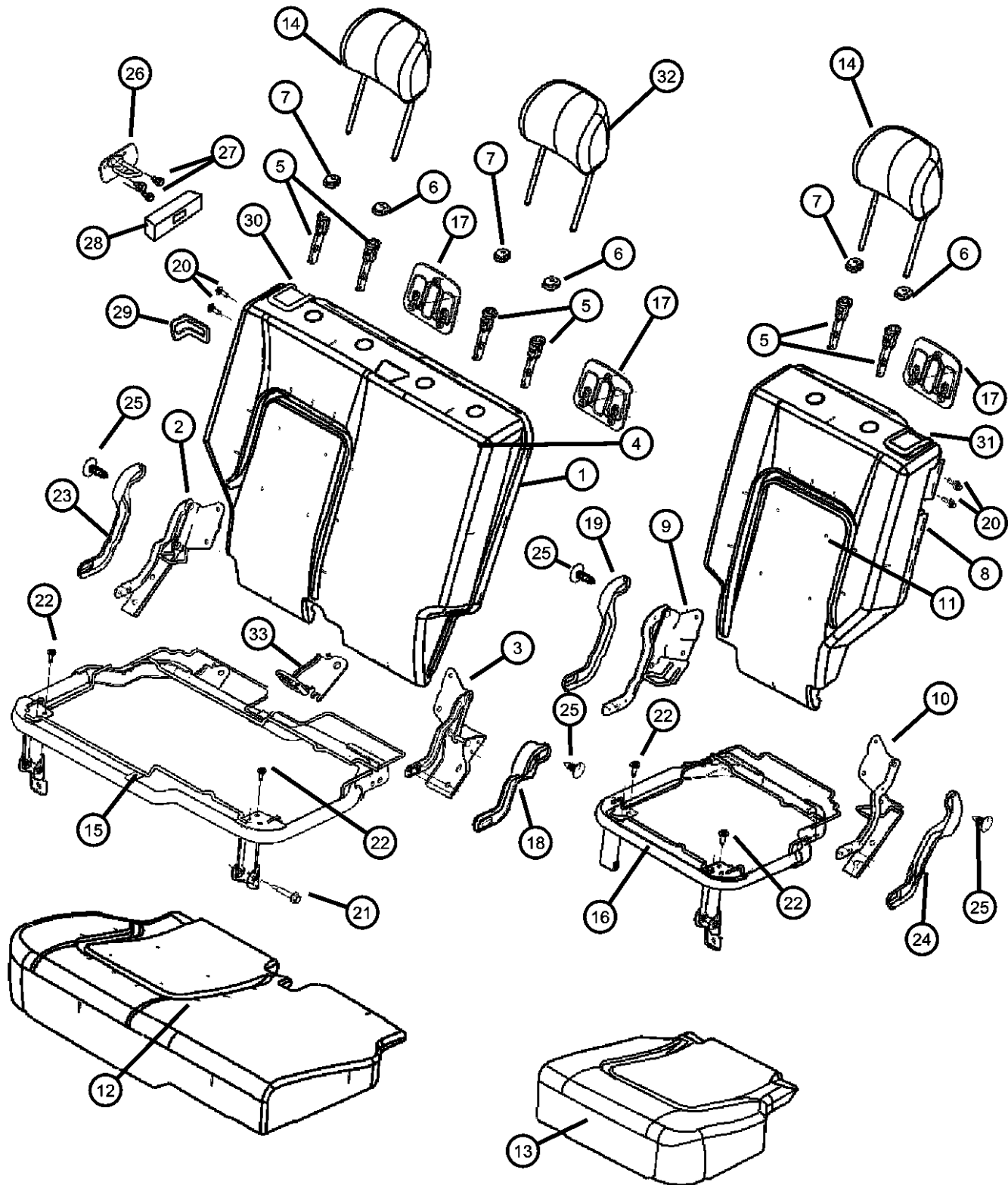
BODY
 74 = 4 Door (104.3 WB)

ENGINE
 ED1 = Engine - 2.4L 4 Cyl DOHC 16v SMPI
 EKG = Engine - 3.7L V6
 ENJ = Engine -2.5L 4 Cyl 16v Turbo Diesel
 ENR = Engine - 2.8L 4 Cyl Turbo Diesel
 EN0 = 4Cyl Turbo Diesel
 EK0 = All 3.7L
 ED0 = All 2.4L

TRANSMISSION
 DDD = Transmission - 5-Speed HD Manual
 DDK = Transmission - 5-Speed HD Manual
 DG4 = Transmission-Multi-Speed Auto, 45RFE
 DG6 = Transmission-4-Spd. Automatic, 42RLE
 DGQ = Transmission-5-Spd Automatic 5-45RFE
 DBB = All Manual Transmissions
 DG0 = All Automatic Transmissions

AR = use ase required - = Non illustrated part

Rear Seat, Trim Code [F7]
Figure IKJ-660

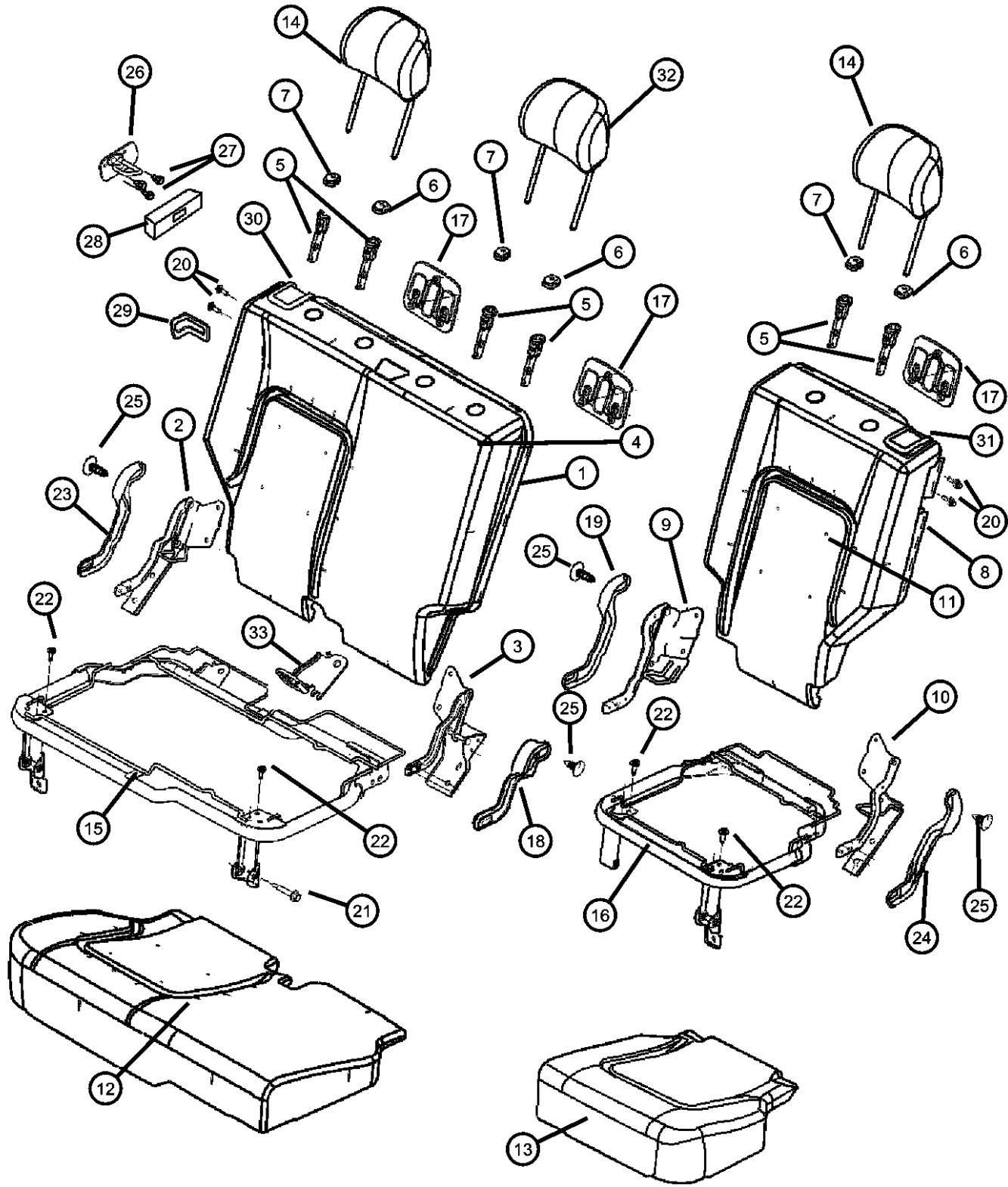


ITEM	PART NUMBER	QTY	LINE	SERIES	BODY	ENGINE	TRANS	TRIM	DESCRIPTION
	55352817AB	1							Left
27	06505434AA	6							SCREW, M8-1.25
28	55352839AC	2							BEZEL, Seat Latch
29									BEZEL, Seat Latch
	0WA92WL8AA	1						*F7	[L5]
	0WA92XD-VAA	1						*F7	[DV]
30									CONTROL, SEAT RELEASE, With Cable and Latch
	0XF781DVAB	1						*F7	[DV]
	0XF781L5AB	1						*F7	[L5]
31									CONTROL, SEAT RELEASE, With Latch
	0XF791DVAB	1						*F7	[DV]
	0XF791L5AB	1						*F7	[L5]
32									HEADREST, Rear, Center
	0XH201DVAA	1						*F7	[DV]
	0XH201L5AA	1						*F7	[L5]
33	05134366AA	1						*F7	BRACKET, Child Tether Anchor

LIBERTY (KJ)				
SERIES	LINE	BODY	ENGINE	TRANSMISSION
P = Limited	J = LHD (4WD)	74 = 4 Door (104.3 WB)	ED1 = Engine - 2.4L 4 Cyl DOHC 16v SMPI	DDD = Transmission - 5-Speed HD Manual
H = Sport	U = RHD (4WD)		EKG = Engine - 3.7L V6	DDK = Transmission - 5-Speed HD Manual
M = Renegade	T = LHD (2WD)		ENJ = Engine -2.5L 4 Cyl 16V Turbo Diesel	DG4 = Transmission-Multi-Speed Auto, 45RFE
			ENR = Engine - 2.8L 4 Cyl Turbo Diesel	DG6 = Transmission-4-Spd. Automatic, 42RLE
			ENO = 4Cyl Turbo Diesel	DGQ = Transmission-5-Spd Automatic 5-45RFE
			EK0 = All 3.7L	DBB = All Manual Transmissions
			ED0 = All 2.4L	DG0 = All Automatic Transmissions

AR = use ase required - = Non illustrated part

Rear Seat, Trim Code [A7]
Figure IKJ-670

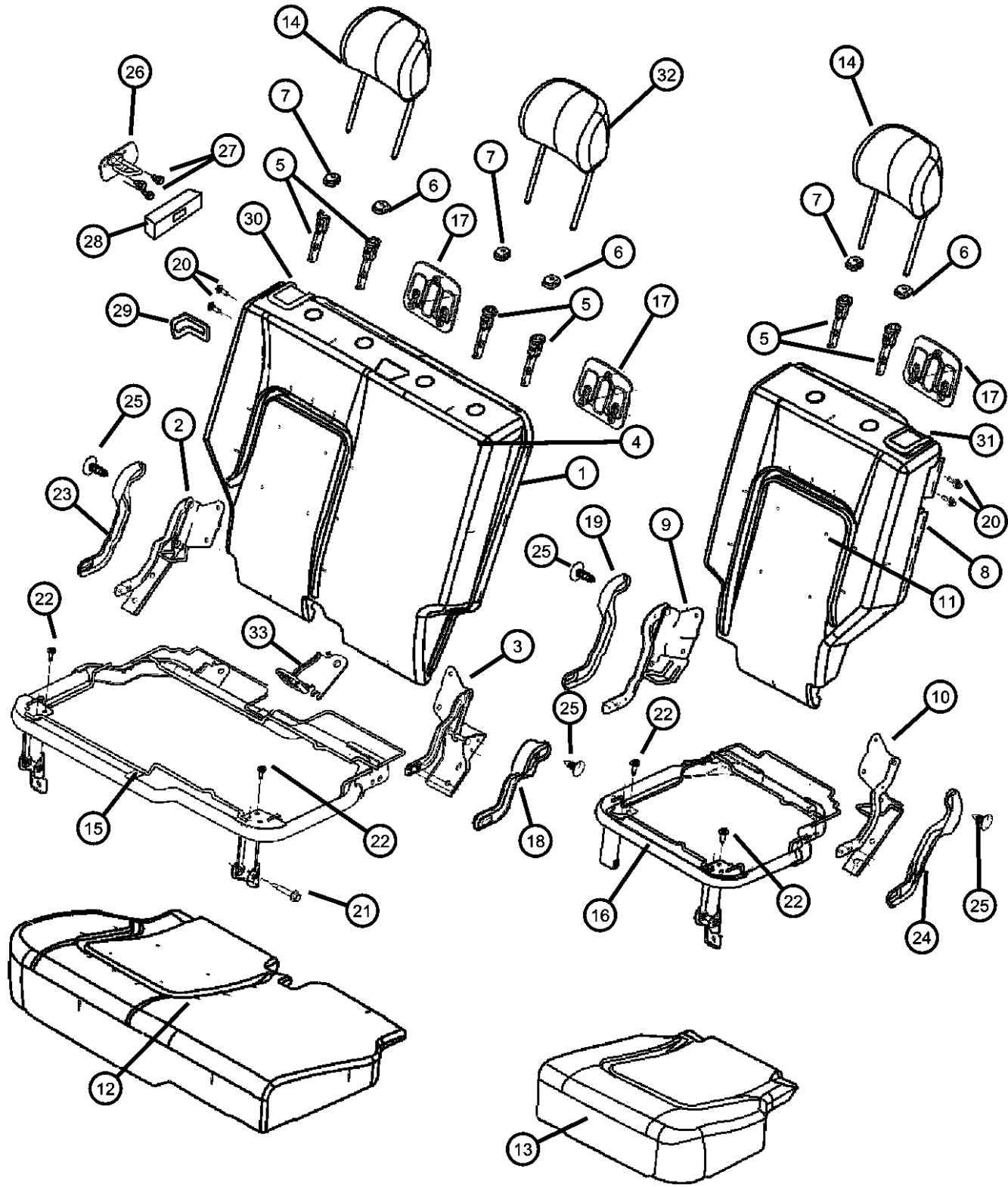


ITEM	PART NUMBER	QTY	LINE	SERIES	BODY	ENGINE	TRANS	TRIM	DESCRIPTION
1	1AG941DVAA	1						*A7	SEAT BACK, Rear, 65%
2	05071702AA	1						*A7	BRACKET AND HINGE, Rear Seat Back, 65%Right, Outboard
3	05071703AA	1						*A7	BRACKET AND HINGE, Rear Seat Back, 65%
4	1AG961DVAA	1						*A7	COVER, Rear Seat Back, 65%
5	05066017AA	2						*A7	SLEEVE, Headrest
6	0WA461DVAA	1						*A7	CAP, Headrest Adjuster, With Button
7	0WA311DVAA	1						*A7	CAP, Headrest Adjuster, Without Button
8	1AE031DVAA	1						*A7	SEAT BACK, Rear, 35%
9	05071704AA	1						*A7	BRACKET AND HINGE, Rear Seat Back, 35%Left, Inboard
10	05071705AA	1						*A7	BRACKET AND HINGE, Rear Seat Back, 35%Left, Outboard
11	1AE011DVAA	1						*A7	COVER, Rear Seat Back, 35%
12	1AD981DVAA	1						*A7	COVER AND PAD, Cushion, 65%
13	1AD991DVAA	1						*A7	COVER AND PAD, Cushion, 35%
14	1AE091DVAA	2						*A7	HEADREST, Rear
15	05072112AA	1						*A7	PANEL, Seat Cushion Base, 65%
16	05072113AA	1						*A7	PANEL, Seat Cushion Base, 35%
17	0WB441DVAA	1						*A7	BEZEL, TETHER
18	0UZ451DVAA	1						*A7	COVER, HingeRight, Inboard
19	0UZ46XDVAA	1						*A7	COVER, HingeLeft, Inboard
20	05072520AA	2						*A7	BOLT, Pivot
21	05072519AA	1						*A7	BOLT, Seat
22	04761014	8						*A7	BOLT, Cushion To Adjuster
23	0UZ44XDVAA	1						*A7	COVER, HingeRight, Outboard
24	0UZ47XDVAA	1						*A7	COVER, HingeLeft, Outboard
25	0WA51XD-VAA	30						*A7	PIN, Push
26	55352816AB	1							STRIKER, Seat Back Latch Right

LIBERTY (KJ)				
SERIES	LINE	BODY	ENGINE	TRANSMISSION
P = Limited	J = LHD (4WD)	74 = 4 Door (104.3 WB)	ED1 = Engine - 2.4L 4 Cyl DOHC 16v SMPI	DDD = Transmission - 5-Speed HD Manual
H = Sport	U = RHD (4WD)		EKG = Engine - 3.7L V6	DDK = Transmission - 5-Speed HD Manual
M = Renegade	T = LHD (2WD)		ENJ = Engine -2.5L 4 Cyl 16V Turbo Diesel	DG4 = Transmission-Multi-Speed Auto, 45RFE
			ENR = Engine - 2.8L 4 Cyl Turbo Diesel	DG6 = Transmission-4-Spd. Automatic, 42RLE
			ENO = 4Cyl Turbo Diesel	DGQ = Transmission-5-Spd Automatic 5-45RFE
			EK0 = All 3.7L	DBB = All Manual Transmissions
			ED0 = All 2.4L	DG0 = All Automatic Transmissions

AR = use ase required - = Non illustrated part

Rear Seat, Trim Code [A7]
Figure IKJ-670

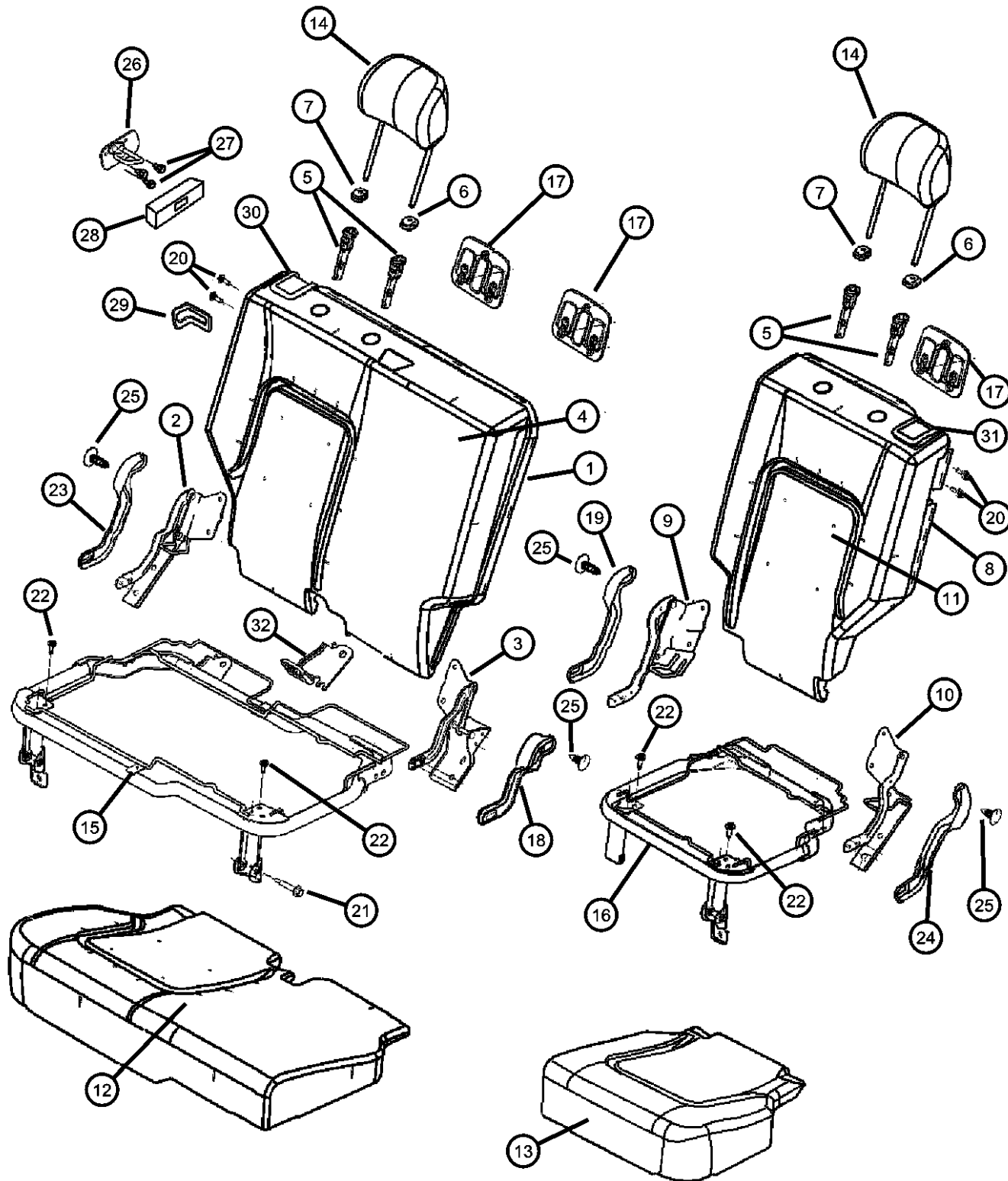


ITEM	PART NUMBER	QTY	LINE	SERIES	BODY	ENGINE	TRANS	TRIM	DESCRIPTION
	55352817AB	1							Left
27	06505434AA	6							SCREW, M8-1.25
28	55352839AC	2							BEZEL, Seat Latch
29	0WA92XD-VAA	1						*A7	BEZEL, Seat Latch
30	0XF781DVAB	1						*A7	CONTROL, SEAT RELEASE, With Cable and Latch
31	0XF781DVAB	1						*A7	CONTROL, SEAT RELEASE, With Latch
32	1AG951DVAA	1						*A7	HEADREST, Rear, Center
33	05134366AA	1						*A7	BRACKET, Child Tether Anchor

LIBERTY (KJ)				
SERIES	LINE	BODY	ENGINE	TRANSMISSION
P = Limited	J = LHD (4WD)	74 = 4 Door (104.3 WB)	ED1 = Engine - 2.4L 4 Cyl DOHC 16v SMPI	DDD = Transmission - 5-Speed HD Manual
H = Sport	U = RHD (4WD)		EKG = Engine - 3.7L V6	DDK = Transmission - 5-Speed HD Manual
M = Renegade	T = LHD (2WD)		ENJ = Engine -2.5L 4 Cyl 16V Turbo Diesel	DG4 = Transmission-Multi-Speed Auto, 45RFE
			ENR = Engine - 2.8L 4 Cyl Turbo Diesel	DG6 = Transmission-4-Spd. Automatic, 42RLE
			ENO = 4Cyl Turbo Diesel	DGQ = Transmission-5-Spd Automatic 5-45RFE
			EK0 = All 3.7L	DBB = All Manual Transmissions
			ED0 = All 2.4L	DG0 = All Automatic Transmissions

AR = use ase required - = Non illustrated part

Rear Seat, Trim Code [V5]
Figure IKJ-680



ITEM	PART NUMBER	QTY	LINE	SERIES	BODY	ENGINE	TRANS	TRIM	DESCRIPTION
1	1AE021DVAA	1						*V5	SEAT BACK, Rear, 65%
2	05071702AA	1						*V5	BRACKET AND HINGE, Rear Seat Back, 65%Right, Outboard
3	05071703AA	1						*V5	BRACKET AND HINGE, Rear Seat Back, 65%Right, Inboard
4	1AE001DVAA	1						*V5	COVER, Rear Seat Back, 65%
5	05066017AA	2						*V5	SLEEVE, Headrest
6	0WA461DVAA	1						*V5	CAP, Headrest Adjuster, With Button
7	0WA311DVAA	1						*V5	CAP, Headrest Adjuster, Without Button
8	1AE031DVAA	1						*V5	SEAT BACK, Rear, 35%
9	05071704AA	1						*V5	BRACKET AND HINGE, Rear Seat Back, 35%
10	05071705AA	1						*V5	BRACKET AND HINGE, Rear Seat Back, 35%
11	1AE011DVAA	1						*V5	COVER, Rear Seat Back, 35%
12	1AD981DVAA	1						*V5	COVER AND PAD, Cushion, 65%
13	1AD991DVAA	1						*V5	COVER AND PAD, Cushion, 35%
14	1AE091DVAA	2						*V5	HEADREST, Rear
15	05072112AA	1						*V5	PANEL, Seat Cushion Base, 65%
16	05072113AA	1						*V5	PANEL, Seat Cushion Base, 35%
17	0WB441DVAA	2						*V5	BEZEL, TETHER
18	0UZ451DVAA	1						*V5	COVER, Hinge
19	0UZ461DVAA	1						*V5	COVER, Hinge
20	05072520AA	2						*V5	BOLT, Pivot
21	05072519AA	1						*V5	BOLT, Seat
22	04761014	1						*V5	BOLT, Cushion To Adjuster
23	0UZ44XDVAA	1						*V5	COVER, Hinge
24	0UZ471DVAA	1						*V5	COVER, Hinge
25	0WA51XD-VAA	2						*V5	PIN, Push
26	55352816AB	1							STRIKER, Seat Back Latch Right

LIBERTY (KJ)

SERIES LINE
P = Limited J = LHD (4WD)
H = Sport U = RHD (4WD)
M = Renegade T = LHD (2WD)

BODY
74 = 4 Door (104.3 WB)

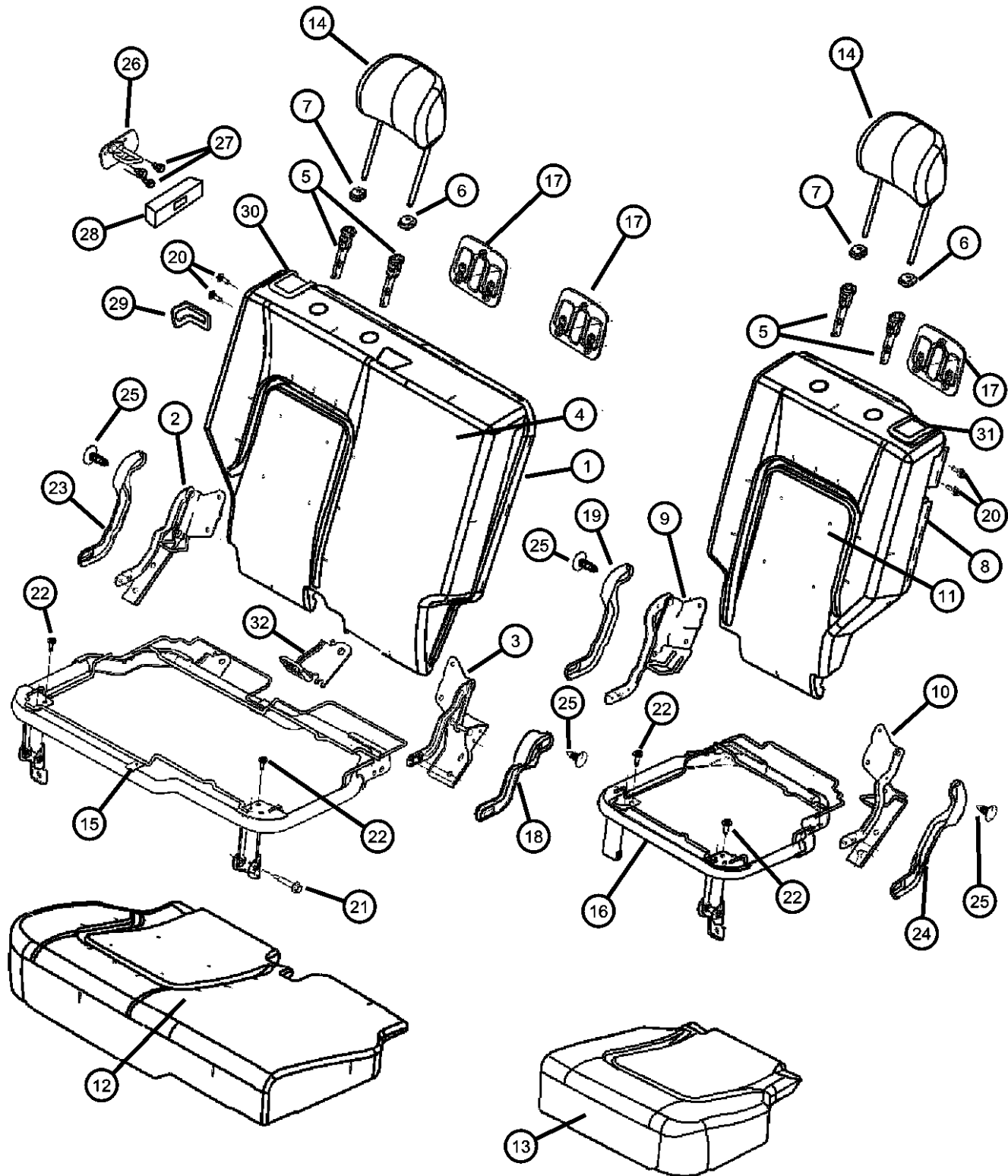
ENGINE
ED1 = Engine - 2.4L 4 Cyl DOHC 16v SMPI
EKG = Engine - 3.7L V6
ENJ = Engine -2.5L 4 Cyl 16V Turbo Diesel
ENR = Engine - 2.8L 4 Cyl Turbo Diesel
ENO = 4Cyl Turbo Diesel
EKO = All 3.7L
EDO = All 2.4L

TRANSMISSION
DDD = Transmission - 5-Speed HD Manual
DDK = Transmission - 5-Speed HD Manual
DG4 = Transmission-Multi-Speed Auto, 45RFE
DG6 = Transmission-4-Spd. Automatic, 42RLE
DGQ = Transmission-5-Spd Automatic 5-45RFE
DBB = All Manual Transmissions
DG0 = All Automatic Transmissions

AR = use ase required - = Non illustrated part

2004 KJ

Rear Seat, Trim Code [V5]
Figure IKJ-680



ITEM	PART NUMBER	QTY	LINE	SERIES	BODY	ENGINE	TRANS	TRIM	DESCRIPTION
	55352817AB	1							Left
27	06505434AA	6							SCREW, M8-1.25
28	55352839AC	2							BEZEL, Seat Latch
29	0WA92XD-VAA	1						*V5	BEZEL, Seat Latch
30	0XF781DVAB	1						*V5	CONTROL, SEAT RELEASE, With Cable and Latch
31	0XF791DVAB	1						*V5	CONTROL, SEAT RELEASE, With Latch
32	05134366AA	1						*V5	BRACKET, Child Tether Anchor

LIBERTY (KJ)

SERIES LINE
P = Limited J = LHD (4WD)
H = Sport U = RHD (4WD)
M = Renegade T = LHD (2WD)

BODY
74 = 4 Door (104.3 WB)

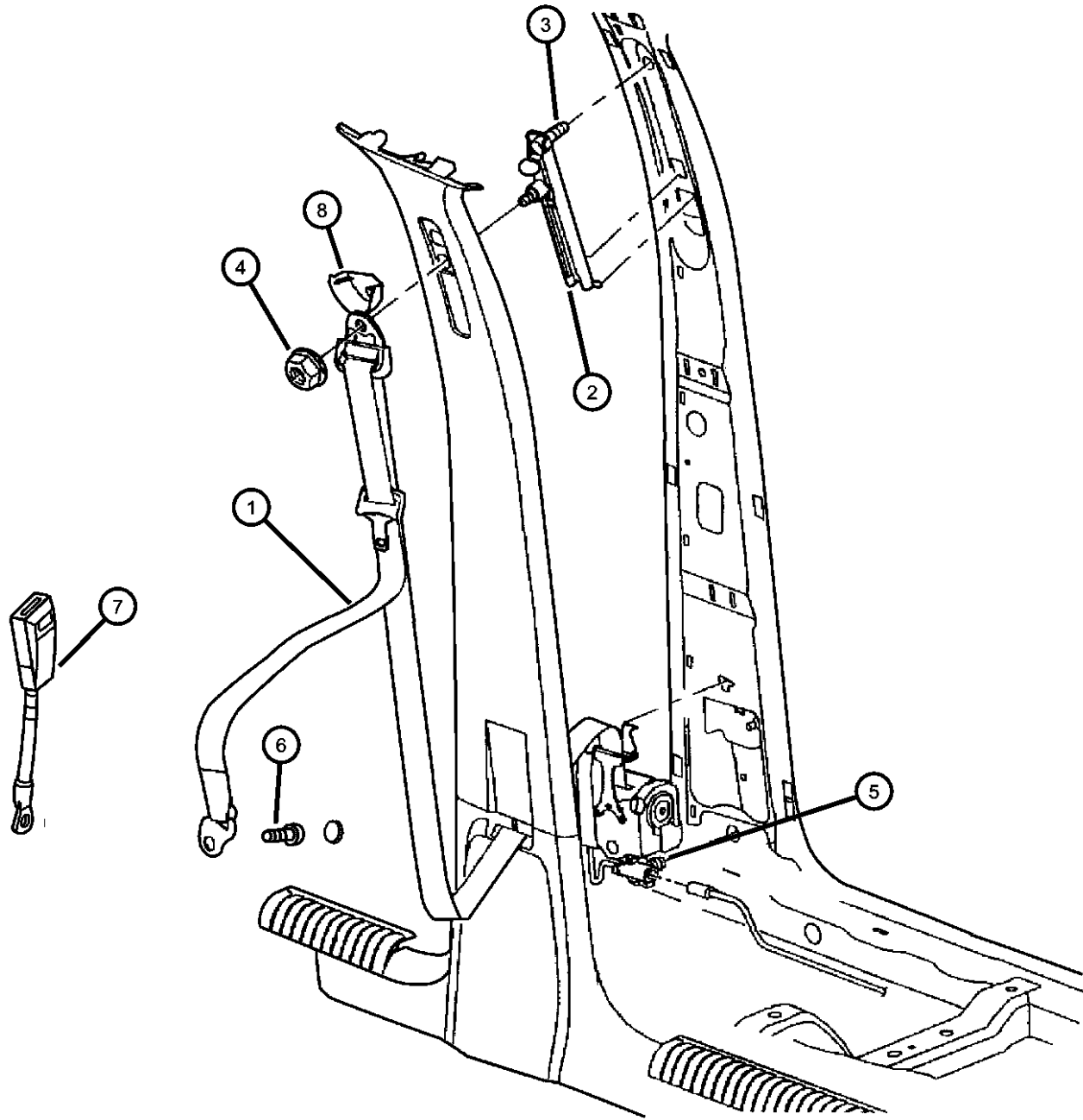
ENGINE
ED1 = Engine - 2.4L 4 Cyl
DOHC 16v SMPI
EKG = Engine - 3.7L V6
ENJ = Engine -2.5L 4 Cyl 16V
Turbo Diesel
ENR = Engine - 2.8L 4 Cyl
Turbo Diesel
ENO = 4Cyl Turbo Diesel
EKO = All 3.7L
EDO = All 2.4L

TRANSMISSION
DDD = Transmission - 5-Speed HD
Manual
DDK = Transmission - 5-Speed HD
Manual
DG4 = Transmission-Multi-Speed
Auto, 45RFE
DG6 = Transmission-4-Spd.
Automatic, 42RLE
DGQ = Transmission-5-Spd Automatic
5-45RFE
DBB = All Manual Transmissions
DG0 = All Automatic Transmissions

AR = use ase required - = Non illustrated part

2004 KJ

Seat Belts, Front
Figure IKJ-710

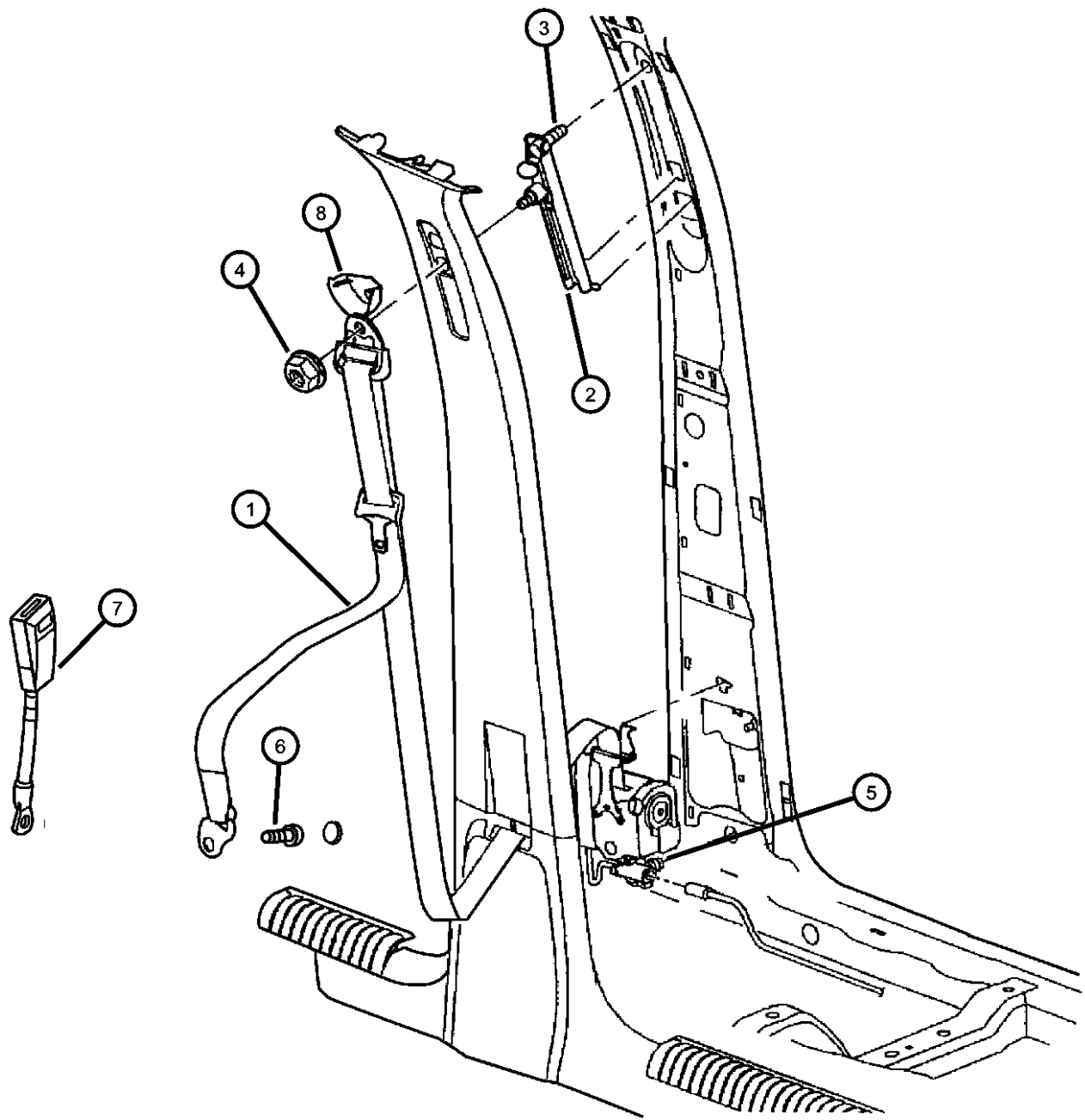


ITEM	PART NUMBER	QTY	LINE	SERIES	BODY	ENGINE	TRANS	TRIM	DESCRIPTION
1									SEAT BELT, Front Outer
	5GZ061DVAL	1	J, U					*O0	[DV, L2, L5], Right, Export
	5GZ071DVAH	1	J, U					*O0	[DV, L2, L5], Left, Export
	5HG331DVAJ	1	J, T					*O0	[DV, D2], Left
	5HG331L8AJ	1	J, T					*O0	[L2, L5], Left
	5JL401DVAA	1	J, T					*O0	[DV, D2], Right
	5JL401L8AA	1	J, T					*O0	[L2, L5], Right
2	55315033AC	2							ADJUSTER, Seat Belt Turning Loop
3	06506475AA	2							BOLT, Seat Belt
4	06506002AA	2							NUT, M10x1.5
5	06505867AA	2							SCREW, SEAT BELT
6	06507968AA	1	J, U					*O0	BOLT, Seat Belt
7									SEAT BELT, Front Inner
	5JW101DVAA	1						*J5	[DV], Passenger
		1	J, T					*XJ	[DV], Domestic, Passenger
		1	J, T					*M5	[DV], Passenger
		1						*V5	Passenger
		1	J, T					*DL	[D2], Domestic & Mexico, Passenger
	5JW101L5AA	1						*J5	[L5], Passenger
		1	J, T					*M5	[L5], Passenger
		1	J, T					*XJ	[L5], Domestic, Passenger
	5JW771DVAA	2						*F7	[DV, L5], Export, Driver and Passenger
		1						*J5	[DV], Driver
		2	J, U					*XJ	[DV, L2], Export, Driver and Passenger
		2	J, U					*DL	[DV, L2], Export, Driver and Passenger
		2	J, U					*E7	[DV, L5], Export, Driver and Passenger
		1	J, T					*DL	[D2], Domestic & Mexico, Driver
		1						*V5	Driver

LIBERTY (KJ)				
SERIES	LINE	BODY	ENGINE	TRANSMISSION
P = Limited	J = LHD (4WD)	74 = 4 Door (104.3 WB)	ED1 = Engine - 2.4L 4 Cyl DOHC 16v SMPI	DDD = Transmission - 5-Speed HD Manual
H = Sport	U = RHD (4WD)		EKG = Engine - 3.7L V6	DDK = Transmission - 5-Speed HD Manual
M = Renegade	T = LHD (2WD)		ENJ = Engine -2.5L 4 Cyl 16v Turbo Diesel	DG4 = Transmission-Multi-Speed Auto, 45RFE
			ENR = Engine - 2.8L 4 Cyl Turbo Diesel	DG6 = Transmission-4-Spd. Automatic, 42RLE
			ENO = 4Cyl Turbo Diesel	DGQ = Transmission-5-Spd Automatic 5-45RFE
			EKO = All 3.7L	DBB = All Manual Transmissions
			EDO = All 2.4L	DG0 = All Automatic Transmissions

AR = use ase required - = Non illustrated part

Seat Belts, Front
Figure IKJ-710



ITEM	PART NUMBER	QTY	LINE	SERIES	BODY	ENGINE	TRANS	TRIM	DESCRIPTION
		1	J, T					*XJ	[DV], Domestic, Driver
		2						*A7	
		1	J, T					*M5	[DV], Driver
	5JW771L5AA	1						*J5	[L5], Driver
		1	J, T					*DL	[L2], Domestic & Mexico, Driver
		1	J, T					*M5	[L5], Driver
		1	J, T					*XJ	[L5], Domestic, Driver
8									COVER, Seat Belt Turning Loop
	0ZL811DVAA	1	J, T					*O0	[D2, DV]
		1	J, U					*O0	[DV, L2, L5], Export
	0ZL811L8AA	1	J, T					*O0	[L2, L5]
-9	05086227AA	1	J, T					*O0	EXTENDER, Seat Belt

LIBERTY (KJ)

SERIES LINE
P = Limited J = LHD (4WD)
H = Sport U = RHD (4WD)
M = Renegade T = LHD (2WD)

BODY
74 = 4 Door (104.3 WB)

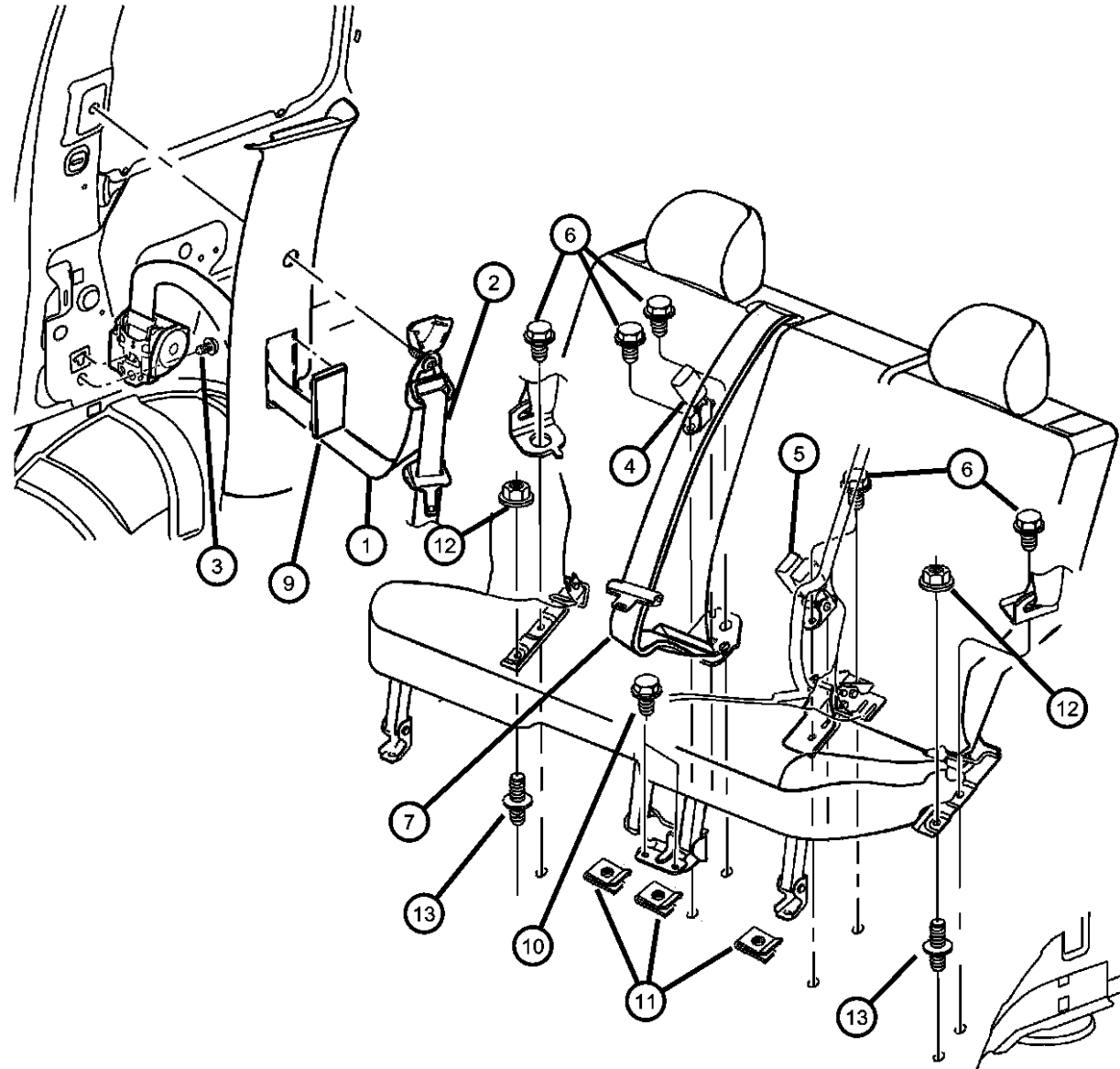
ENGINE
ED1 = Engine - 2.4L 4 Cyl
DOHC 16v SMPI
EKG = Engine - 3.7L V6
ENJ = Engine -2.5L 4 Cyl 16V
Turbo Diesel
ENR = Engine - 2.8L 4 Cyl
Turbo Diesel
ENO = 4Cyl Turbo Diesel
EKO = All 3.7L
EDO = All 2.4L

TRANSMISSION
DDD = Transmission - 5-Speed HD
Manual
DDK = Transmission - 5-Speed HD
Manual
DG4 = Transmission-Multi-Speed
Auto, 45RFE
DG6 = Transmission-4-Spd.
Automatic, 42RLE
DGQ = Transmission-5-Spd Automatic
5-45RFE
DBB = All Manual Transmissions
DG0 = All Automatic Transmissions

AR = use ase required - = Non illustrated part

2004 KJ

Seat Belts, Rear
Figure IKJ-720



ITEM	PART NUMBER	QTY	LINE	SERIES	BODY	ENGINE	TRANS	TRIM	DESCRIPTION
1									SEAT BELT, Rear Outer
	5GE521DVAJ	1	J, U					*O0	[DV, L2], Right, Export
	5GE531DVAJ	1	J, U					*O0	[DV, L2], Left, Export
	5HG361DVAI	1	J, T					*O0	[D2, DV], Right
	5HG361L8AI	1	J, T					*O0	[L2, L5], Right
	5HG371DVAI	1	J, T					*O0	[D2, DV], Left
	5HG371L8AI	1	J, T					*O0	[L2, L5], Left
2									BOLT, Seat Belt
	06506911AA	1	J, U					*O0	Export
		1	J, T					*O0	
3	06505867AA	2							SCREW, SEAT BELT
4									SEAT BELT, Buckle Half
	5GU581DVAE	1	J, U					*O0	[DV, L2, L5], Export
		1	J, T					*O0	[D2, DV],
	5GU581L5AE	1	J, T					*O0	[L2, L5]
5									SEAT BELT, Two Buckles
	5GE491DVAE	1	J, U					*O0	[DV, L2, L5], Export
		1	J, T					*O0	[D2, DV],
	5GE491L5AE	1	J, T					*O0	[L2, L5]
6	06506791AA	6							SCREW, Seat
7									SEAT BELT, RR CNTR SHOULDER
	5GE481DVAE	1						*F7	[DV], Export
		1	J, U					*DL	[DV], Export
		1	J, U					*E7	[DV], Export
		1	J, U					*XJ	[DV]
		1						*A7	
	5GE481L2AE	1						*F7	[L5], Export
		1	J, U					*DL	[L2], Export
	5GE481L5AE	1	J, U					*E7	[L2], Export
		1	J, U					*XJ	[L5]

LIBERTY (KJ)

SERIES LINE
P = Limited J = LHD (4WD)
H = Sport U = RHD (4WD)
M = Renegade T = LHD (2WD)

BODY
74 = 4 Door (104.3 WB)

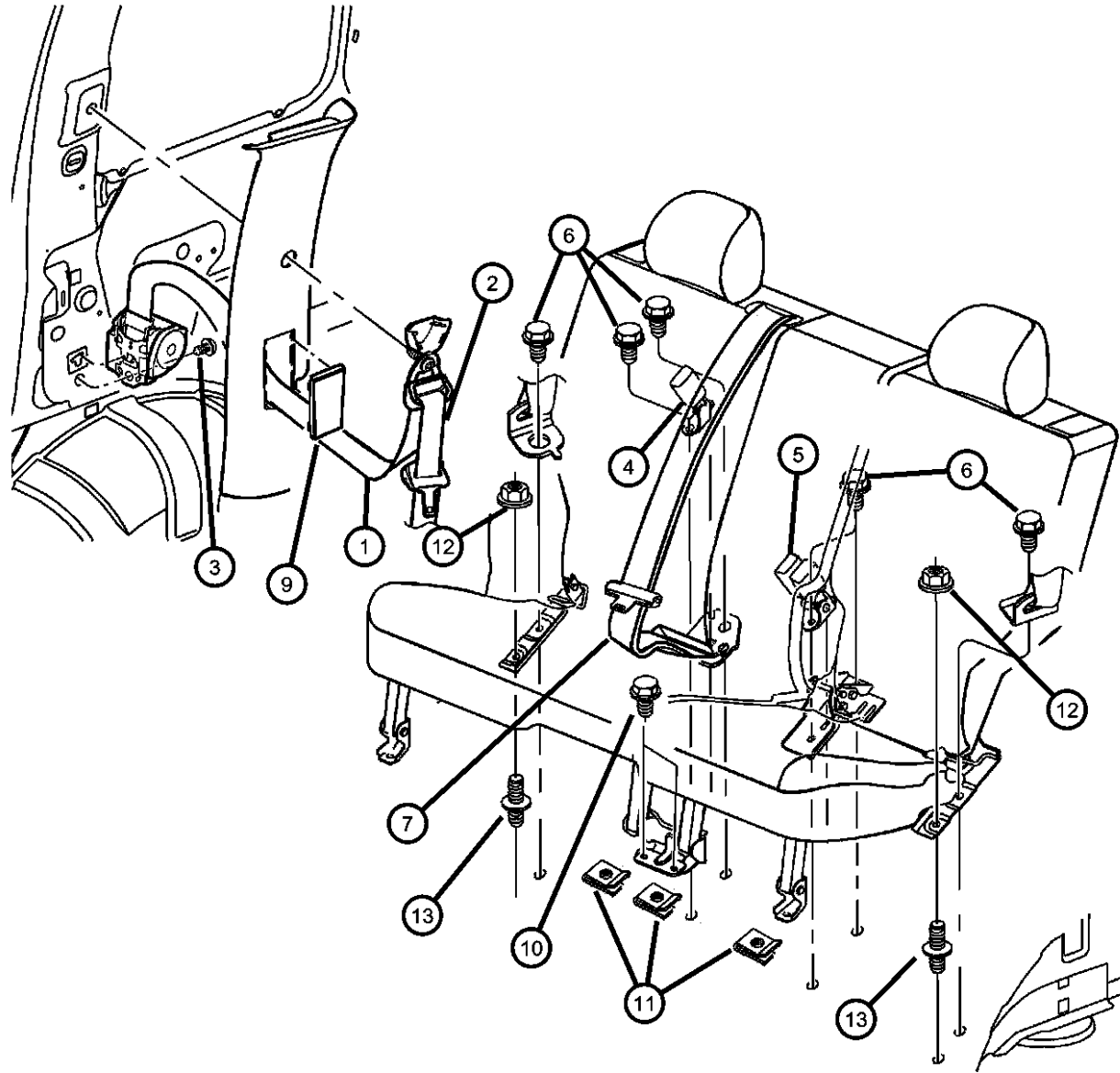
ENGINE
ED1 = Engine - 2.4L 4 Cyl
DOHC 16v SMPI
EKG = Engine - 3.7L V6
ENJ = Engine -2.5L 4 Cyl 16v
Turbo Diesel
ENR = Engine - 2.8L 4 Cyl
Turbo Diesel
ENO = 4Cyl Turbo Diesel
EK0 = All 3.7L
ED0 = All 2.4L

TRANSMISSION
DDD = Transmission - 5-Speed HD
Manual
DDK = Transmission - 5-Speed HD
Manual
DG4 = Transmission-Multi-Speed
Auto, 45RFE
DG6 = Transmission-4-Spd.
Automatic, 42RLE
DGQ = Transmission-5-Spd Automatic
5-45RFE
DBB = All Manual Transmissions
DG0 = All Automatic Transmissions

AR = use ase required - = Non illustrated part

2004 KJ

Seat Belts, Rear
Figure IKJ-720



ITEM	PART NUMBER	QTY	LINE	SERIES	BODY	ENGINE	TRANS	TRIM	DESCRIPTION
	5HK441D2AC	1	J, T					*DL	[D2, DV]
	5HK441DVAC	1						*J5	[DV]
		1	J, T					*XJ	[DV]
		1	J, T					*M5	[DV]
		1						*V5	
	5HK441L2AC	1	J, T					*DL	[L2]
	5HK441L5AC	1						*J5	[L5]
		1	J, T					*XJ	[L5]
		1	J, T					*M5	[L5]
-8									BUTTON, BELT WEBBING
	0YQ76XDVAA	1	J, T					*DL	
		1	J, T					*XJ	
		1	J, T					*M5	
		1						*L5	
		1	J, U					*E7	
		1						*K7	
		1	J, U					*DL	
		1	J, U					*XJ	
9									COVER, C Pillar
	0WR16WL5AA	1						*O0	[L2, L5], Right
	0WR16XD-VAA	1						*O0	[D2, DV], Right
	0WR17WL5AA	1						*O0	[L2, L5], Left
	0WR17XD-VAA	1						*O0	[D2, DV], Left
10	06101232	4							BOLT, Hex Flange Head, M8x1.25x25
11	06101283	4							U-NUT, M8x1.25
12	06507170AA	2							BOLT, Seat
13	06507170AA	2							STUD, M12x1.75x81.50, (NOT SERVICED)
-14									EXTENDER, Seat Belt

LIBERTY (KJ)

SERIES

P = Limited
H = Sport
M = Renegade

LINE

J = LHD (4WD)
U = RHD (4WD)
T = LHD (2WD)

BODY

74 = 4 Door (104.3 WB)

ENGINE

ED1 = Engine - 2.4L 4 Cyl DOHC 16v SMPI
EKG = Engine - 3.7L V6
ENJ = Engine -2.5L 4 Cyl 16v Turbo Diesel
ENR = Engine - 2.8L 4 Cyl Turbo Diesel
ENO = 4Cyl Turbo Diesel
EKO = All 3.7L
EDO = All 2.4L

TRANSMISSION

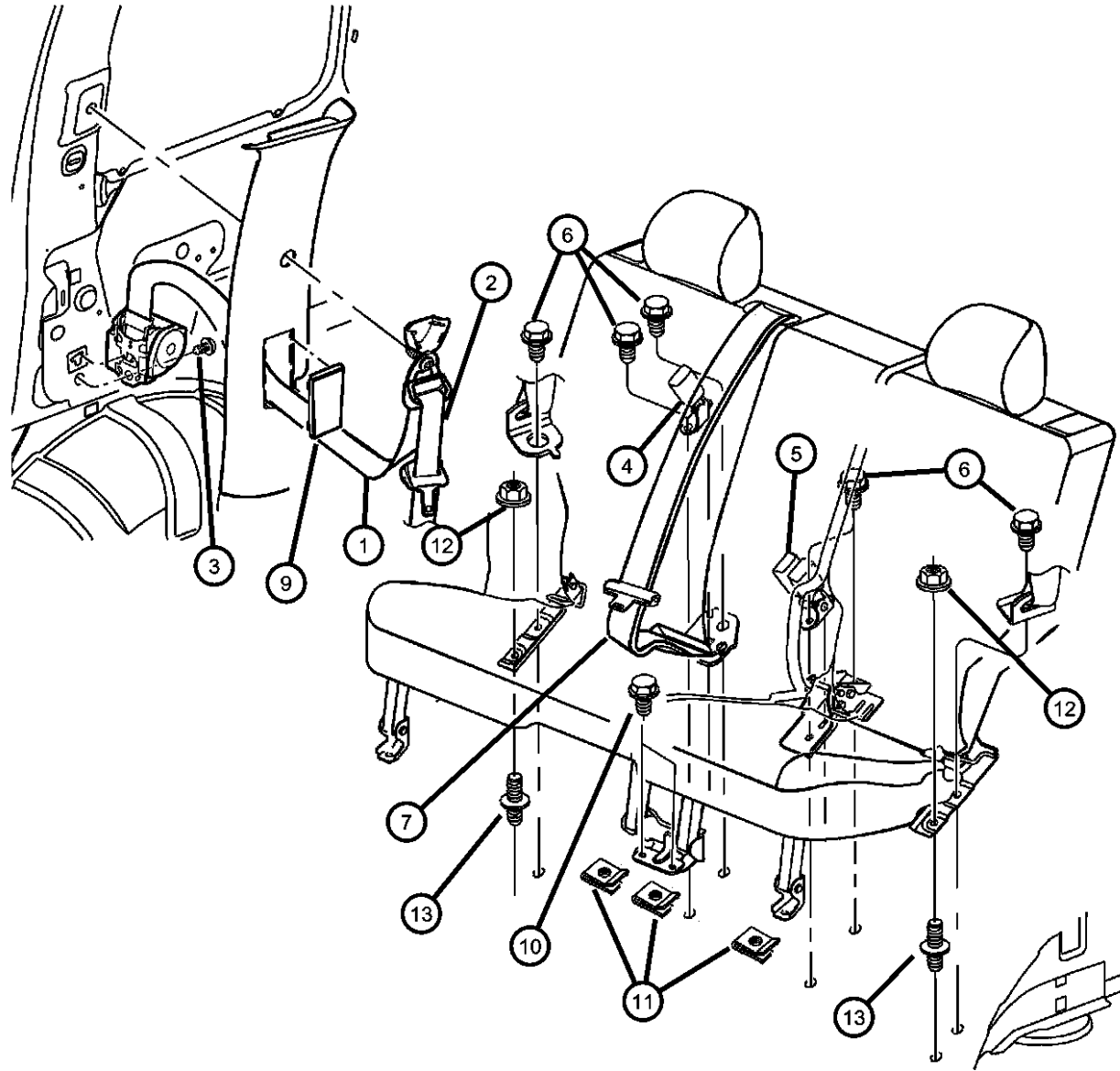
DDD = Transmission - 5-Speed HD Manual
DDK = Transmission - 5-Speed HD Manual
DG4 = Transmission-Multi-Speed Auto, 45RFE
DG6 = Transmission-4-Spd. Automatic, 42RLE
DGQ = Transmission-5-Spd Automatic 5-45RFE
DBB = All Manual Transmissions
DG0 = All Automatic Transmissions

AR = use ase required - = Non illustrated part

2004 KJ

Seat Belts, Rear
Figure IKJ-720

ITEM	PART NUMBER	QTY	LINE	SERIES	BODY	ENGINE	TRANS	TRIM	DESCRIPTION
	05086227AA	1	J, U					*O0	
		1	J, T					*O0	



LIBERTY (KJ)

SERIES

P = Limited
H = Sport
M = Renegade

LINE

J = LHD (4WD)
U = RHD (4WD)
T = LHD (2WD)

BODY

74 = 4 Door (104.3 WB)

ENGINE

ED1 = Engine - 2.4L 4 Cyl
DOHC 16v SMPI
EKG = Engine - 3.7L V6
ENJ = Engine -2.5L 4 Cyl 16V
Turbo Diesel
ENR = Engine - 2.8L 4 Cyl
Turbo Diesel
ENO = 4Cyl Turbo Diesel
EKO = All 3.7L
EDO = All 2.4L

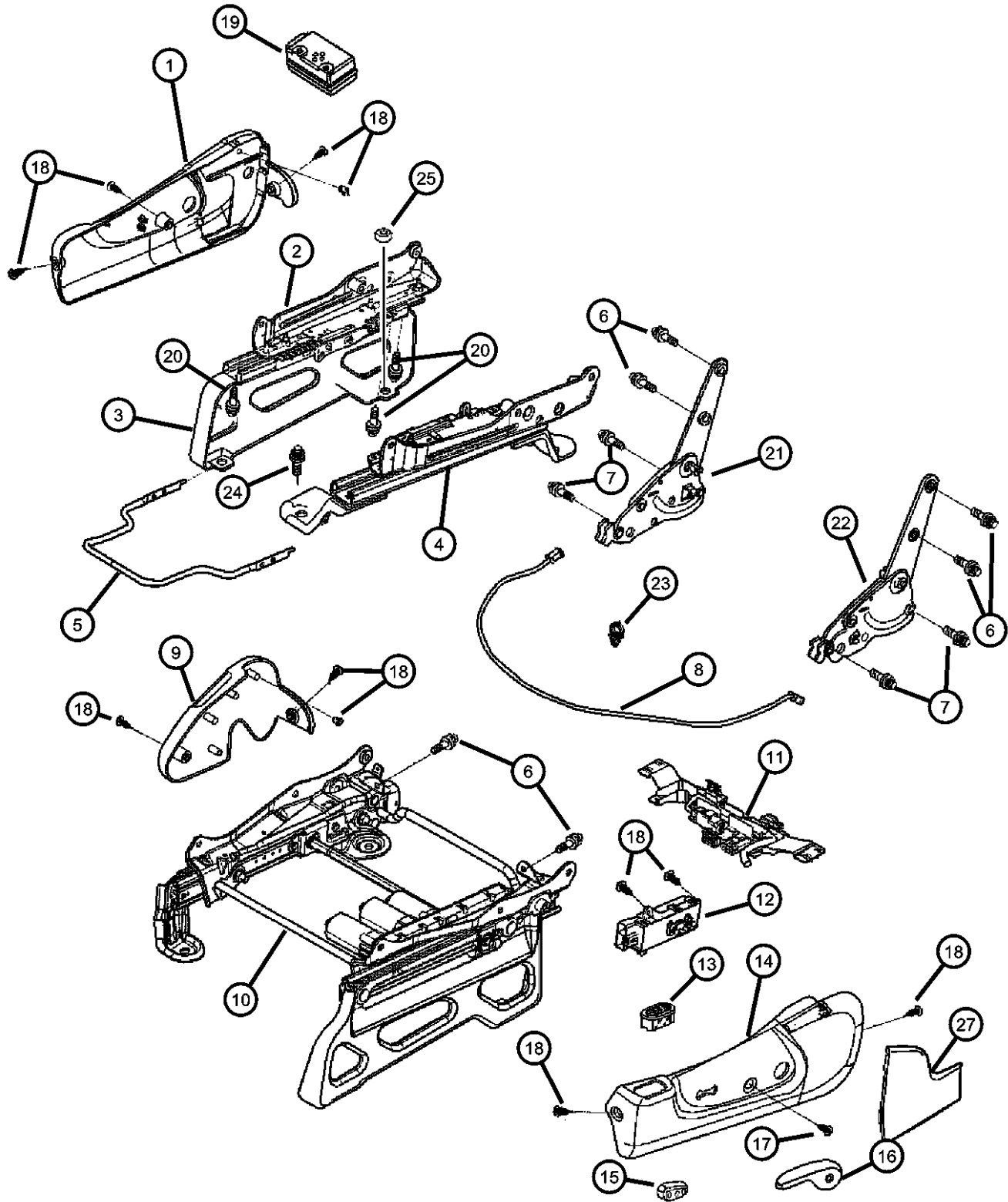
TRANSMISSION

DDD = Transmission - 5-Speed HD
Manual
DDK = Transmission - 5-Speed HD
Manual
DG4 = Transmission-Multi-Speed
Auto, 45RFE
DG6 = Transmission-4-Spd.
Automatic, 42RLE
DGQ = Transmission-5-Spd Automatic
5-45RFE
DBB = All Manual Transmissions
DG0 = All Automatic Transmissions

AR = use ase required - = Non illustrated part

2004 KJ

Recliner and Adjuster
Figure IKJ-810



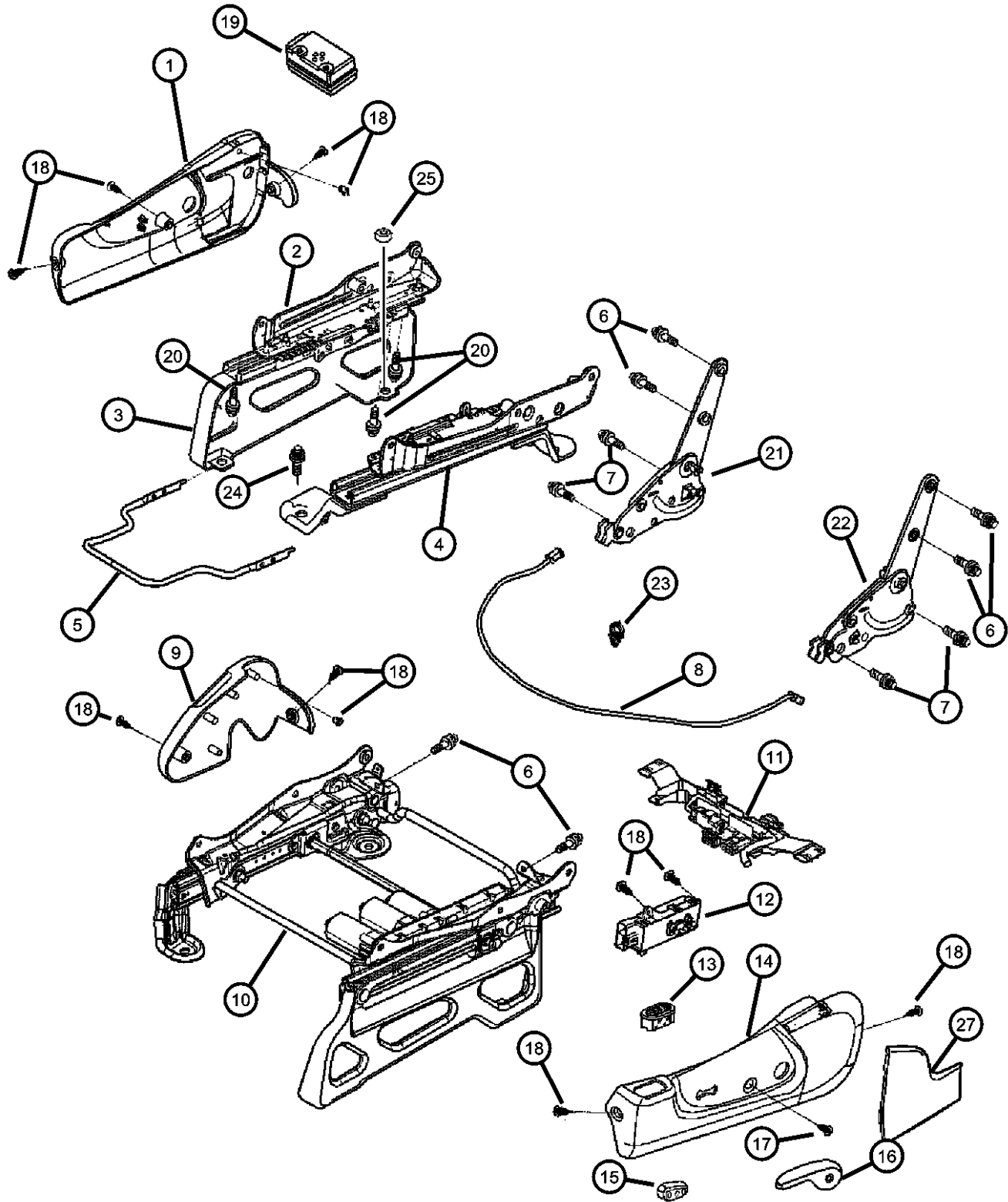
ITEM	PART NUMBER	QTY	LINE	SERIES	BODY	ENGINE	TRANS	TRIM	DESCRIPTION
1									SHIELD, Seat Adjuster, Manual Seat
	0ZH781DVAA	1						*V5	Right
		1						*J5	[DV], Right
		1						*F7	[DV], Right
		1	J, T					*M5	[DV], Right
		1						*A7	Right
		1	J, T					*XJ	[DV], Right
		1	J, U					*E7	[DV], Right
		1	J, U					*XJ	[DV], Right
	0ZH781L5AA	1						*J5	[L5], Right
		1						*F7	[L5], Right
		1	J, T					*M5	[L5], Right
		1	J, U					*E7	[L5], Right
		1	J, T					*XJ	[L5], Right
		1	J, U					*XJ	[L5], Right
	0ZH791DVAA	1						*J5	[DV], Left
		1						*F7	[DV], Left
		1	J, T					*M5	[DV], Left
		1	J, T					*XJ	[DV], Left
		1	J, U					*XJ	[DV], Left
		1						*V5	Left
		1	J, U					*E7	[DV], Left
		1						*A7	Left
	0ZH791L5AA	1						*J5	[L5], Left
		1						*F7	[L5], Left
		1	J, U					*XJ	[L5], Left
		1	J, T					*XJ	[L5], Left
		1	J, U					*E7	[L5], Left
		1	J, T					*M5	[L5], Left

2 ADJUSTER, Manual Seat

LIBERTY (KJ)				
SERIES	LINE	BODY	ENGINE	TRANSMISSION
P = Limited	J = LHD (4WD)	74 = 4 Door (104.3 WB)	ED1 = Engine - 2.4L 4 Cyl DOHC 16v SMPI	DDD = Transmission - 5-Speed HD Manual
H = Sport	U = RHD (4WD)		EKG = Engine - 3.7L V6	DDK = Transmission - 5-Speed HD Manual
M = Renegade	T = LHD (2WD)		ENJ = Engine -2.5L 4 Cyl 16V Turbo Diesel	DG4 = Transmission-Multi-Speed Auto, 45RFE
			ENR = Engine - 2.8L 4 Cyl Turbo Diesel	DG6 = Transmission-4-Spd. Automatic, 42RLE
			ENO = 4Cyl Turbo Diesel	DGQ = Transmission-5-Spd Automatic 5-45RFE
			EK0 = All 3.7L	DBB = All Manual Transmissions
			ED0 = All 2.4L	DG0 = All Automatic Transmissions

AR = use ase required - = Non illustrated part

**Recliner and Adjuster
Figure IKJ-810**

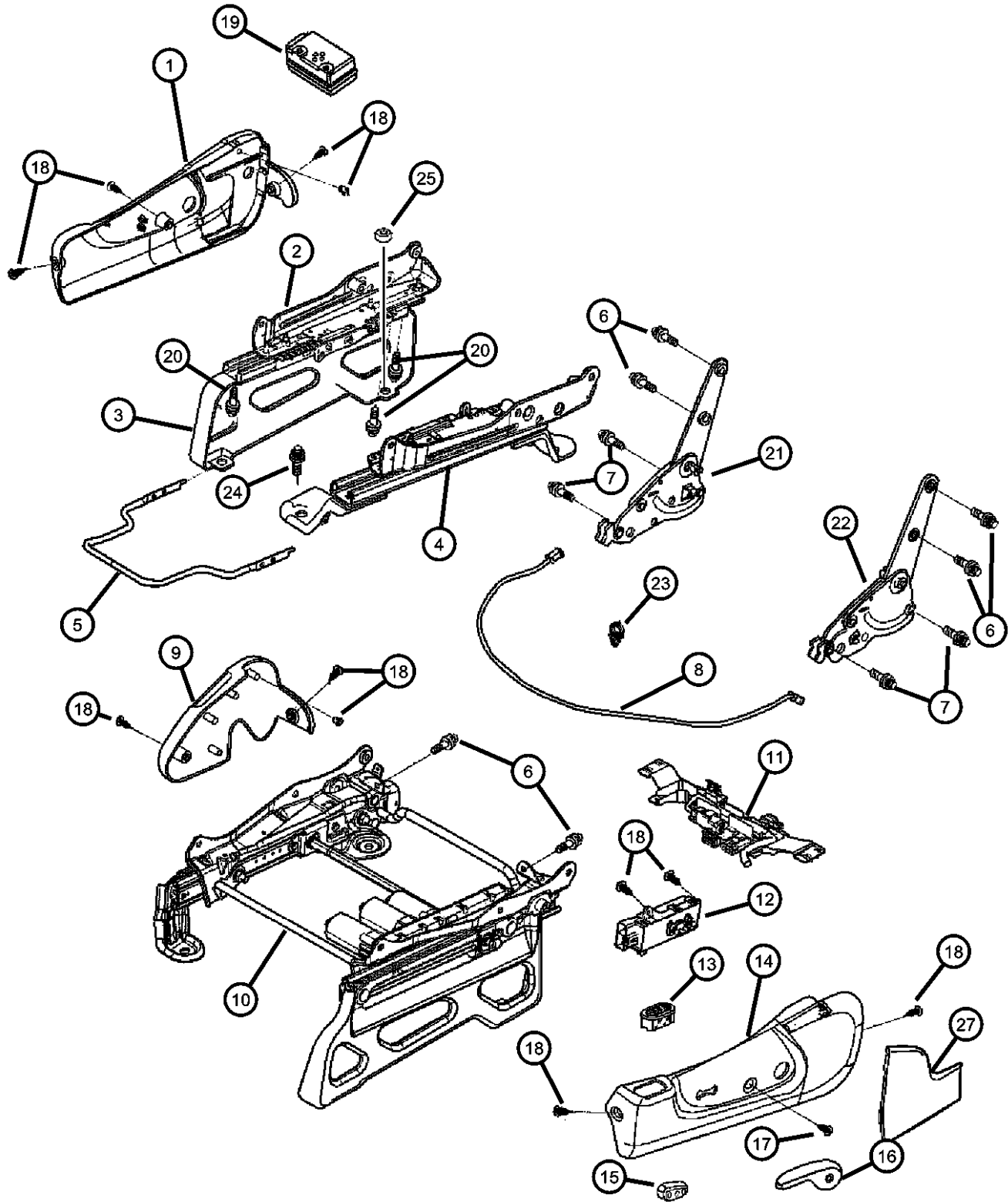


ITEM	PART NUMBER	QTY	LINE	SERIES	BODY	ENGINE	TRANS	TRIM	DESCRIPTION
	05072104AA	1						*F7	Passenger
		1						*J5	Passenger
		1	J, U					*E7	Passenger
		1	J, U					*XJ	Passenger
		1						*V5	Passenger
		1	J, T					*XJ	Passenger
		1						*A7	Passenger
	05072107AA	1	J, T					*M5	Passenger
		1						*F7	Driver
		1	J, T					*M5	Driver
		1						*V5	Driver
		1						*J5	Driver
		1						*A7	Driver
		1	J, T					*XJ	Driver
		1	J, U					*E7	Driver
	05072107AB	1	J, U					*XJ	Driver
3	05072756AA	1	J, T						RISER, Seat
		1						*M5	Passenger
		1						*V5	Passenger
		1						*J5	Passenger
		1						*F7	Passenger
		1						*A7	Passenger
	05072757AA	1						*J5	Driver
		1						*F7	Driver
		1	J, U					*E7	Passenger
		1						*V5	Driver
		1	J, T					*M5	Driver
		1						*A7	Driver
		1	J, U					*E7	Driver
	0UZ481DVAA	1	J, T					*XJ	[DV], Passenger

LIBERTY (KJ)				
SERIES	LINE	BODY	ENGINE	TRANSMISSION
P = Limited	J = LHD (4WD)	74 = 4 Door (104.3 WB)	ED1 = Engine - 2.4L 4 Cyl DOHC 16v SMPI	DDD = Transmission - 5-Speed HD Manual
H = Sport	U = RHD (4WD)		EKG = Engine - 3.7L V6	DDK = Transmission - 5-Speed HD Manual
M = Renegade	T = LHD (2WD)		ENJ = Engine - 2.5L 4 Cyl 16V Turbo Diesel	DG4 = Transmission-Multi-Speed Auto, 45RFE
			ENR = Engine - 2.8L 4 Cyl Turbo Diesel	DG6 = Transmission-4-Spd. Automatic, 42RLE
			ENO = 4Cyl Turbo Diesel	DGQ = Transmission-5-Spd Automatic 5-45RFE
			EKO = All 3.7L	DBB = All Manual Transmissions
			EDO = All 2.4L	DG0 = All Automatic Transmissions

AR = use ase required - = Non illustrated part

**Recliner and Adjuster
Figure IKJ-810**

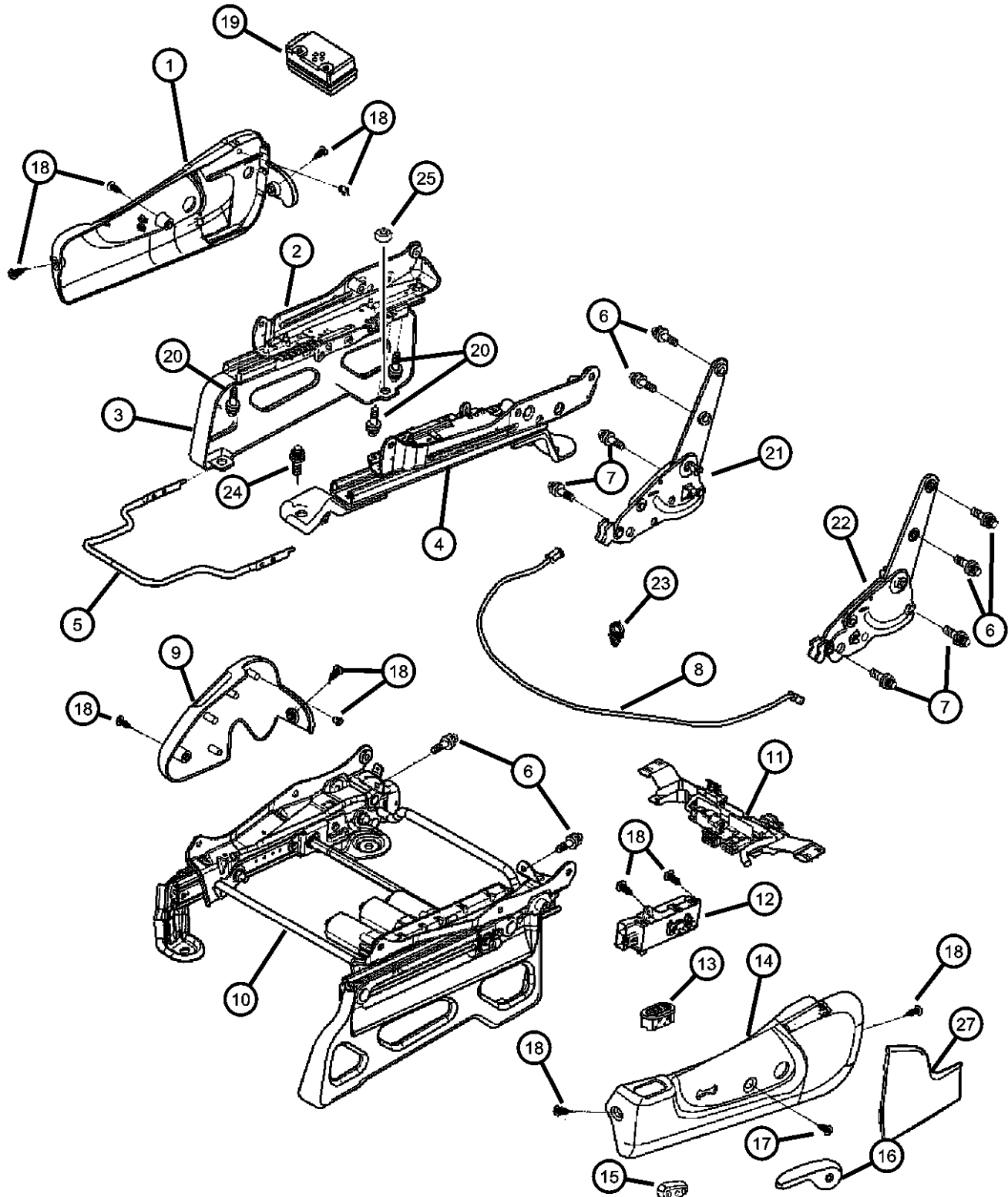


ITEM	PART NUMBER	QTY	LINE	SERIES	BODY	ENGINE	TRANS	TRIM	DESCRIPTION
		1	J, U					*XJ	[DV], Passenger, Export
	0UZ481L5AA	1	J, U					*XJ	[L5], Passenger, Export
		1	J, T					*XJ	[L5], Passenger
	0UZ48XDVAA	1	J, T					*M5	[DV, L5], Used With Power Driver Seat, Passenger
	0UZ491DVAA	1	J, T					*XJ	[DV], Driver
		1	J, U					*XJ	[DV], Driver, Export
	0UZ491L5AA	1	J, U					*XJ	[L5], Driver, Export
		1	J, T					*XJ	[L5], Driver
4									ADJUSTER, Manual Seat
	05072105AA	1						*J5	Passenger, Manual
		1						*F7	Passenger, Manual
		1						*V5	Passenger, Manual
		1	J, T					*M5	Passenger, Manual
		1						*A7	Passenger, Manual
		1	J, U					*E7	Passenger, Manual
		1	J, T					*XJ	Passenger, Manual
	05072106AA	1	J, U					*XJ	Passenger, Manual
		1						*J5	Driver, Manual
		1						*F7	Driver, Manual
		1	J, T					*XJ	Driver, Manual
		1	J, U					*XJ	Driver, Manual
		1						*V5	Driver, Manual
		1						*A7	Driver, Manual
		1	J, U					*E7	Driver, Manual
		1	J, T					*M5	Driver, Manual
5									HANDLE, Towel Bar
	05072003AA	2	J, T					*M5	
		2						*J5	
		2	J, T					*XJ	

LIBERTY (KJ)									
SERIES	LINE			BODY	ENGINE			TRANSMISSION	
P = Limited	J = LHD (4WD)			74 = 4 Door (104.3 WB)	ED1 = Engine - 2.4L 4 Cyl DOHC 16v SMPI			DDD = Transmission - 5-Speed HD Manual	
H = Sport	U = RHD (4WD)				EKG = Engine - 3.7L V6			DDK = Transmission - 5-Speed HD Manual	
M = Renegade	T = LHD (2WD)				ENJ = Engine -2.5L 4 Cyl 16V Turbo Diesel			DG4 = Transmission-Multi-Speed Auto, 45RFE	
					ENR = Engine - 2.8L 4 Cyl Turbo Diesel			DG6 = Transmission-4-Spd. Automatic, 42RLE	
					ENO = 4Cyl Turbo Diesel			DGQ = Transmission-5-Spd Automatic 5-45RFE	
					EKO = All 3.7L			DBB = All Manual Transmissions	
					EDO = All 2.4L			DG0 = All Automatic Transmissions	

AR = use ase required - = Non illustrated part

**Recliner and Adjuster
Figure IKJ-810**

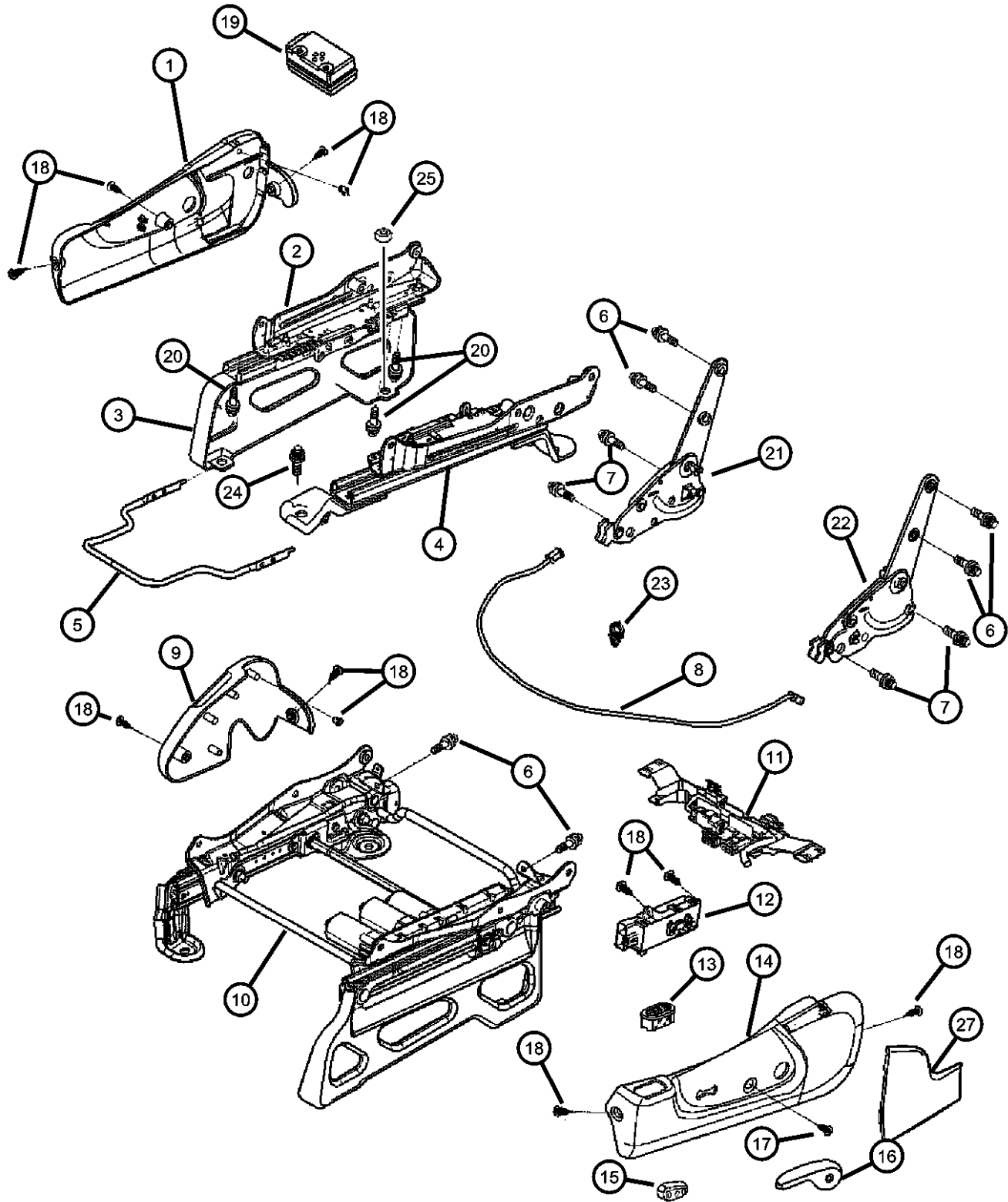


ITEM	PART NUMBER	QTY	LINE	SERIES	BODY	ENGINE	TRANS	TRIM	DESCRIPTION
		2	J, U					*E7	
		2	J, U					*XJ	
		2						*F7	
		1	J, T					*M5	
		1						*V5	
		2						*A7	
6									BOLT, Recliner
	05072128AA	8	J, T					*XJ	
		8	J, T					*DL	
		8	J, U					*E7	
		8						*F7	
		8	J, U					*DL	
		8	J, U					*XJ	
		8	J, T					*M5	
		8						*V5	
		8						*A7	
		8						*J5	
7									BOLT, Recliner
	05093647AA	8	J, T					*M5	
		8	J, T					*XJ	
		8						*J5	
		8	J, U					*E7	
		8						*F7	
		8	J, T					*DL	
		8	J, U					*DL	
		8	J, U					*XJ	
		8						*V5	
		8						*A7	
8									CABLE, Recliner
	05127463AA	2	J, T					*M5	

LIBERTY (KJ)				
SERIES	LINE	BODY	ENGINE	TRANSMISSION
P = Limited	J = LHD (4WD)	74 = 4 Door (104.3 WB)	ED1 = Engine - 2.4L 4 Cyl DOHC 16v SMPI	DDD = Transmission - 5-Speed HD Manual
H = Sport	U = RHD (4WD)		EKG = Engine - 3.7L V6	DDK = Transmission - 5-Speed HD Manual
M = Renegade	T = LHD (2WD)		ENJ = Engine - 2.5L 4 Cyl 16V Turbo Diesel	DG4 = Transmission-Multi-Speed Auto, 45RFE
			ENR = Engine - 2.8L 4 Cyl Turbo Diesel	DG6 = Transmission-4-Spd. Automatic, 42RLE
			ENO = 4Cyl Turbo Diesel	DGQ = Transmission-5-Spd Automatic 5-45RFE
			EK0 = All 3.7L	DBB = All Manual Transmissions
			ED0 = All 2.4L	DG0 = All Automatic Transmissions

AR = use ase required - = Non illustrated part

**Recliner and Adjuster
Figure IKJ-810**

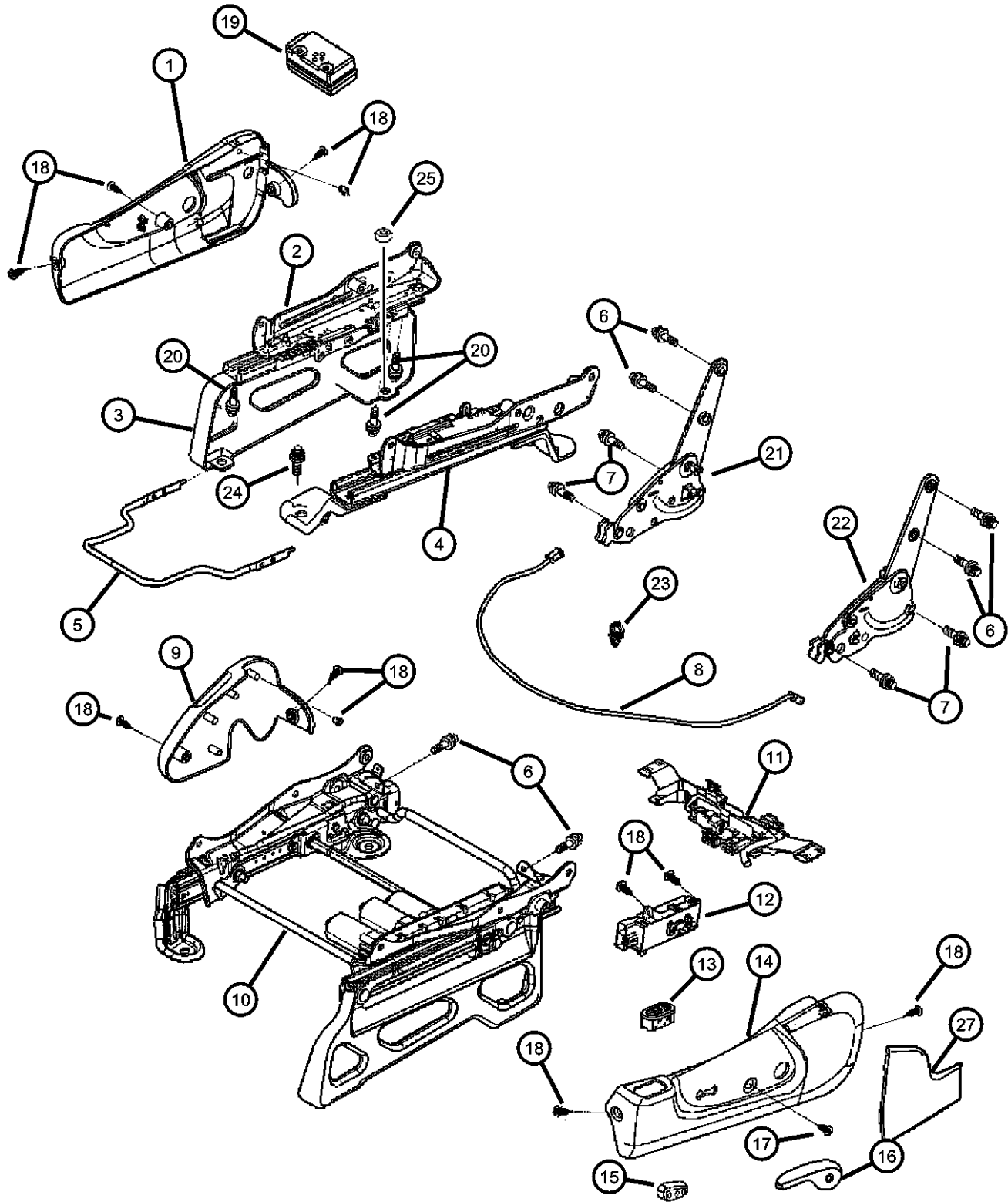


ITEM	PART NUMBER	QTY	LINE	SERIES	BODY	ENGINE	TRANS	TRIM	DESCRIPTION
		2	J, T					*XJ	
		2	J, U					*E7	
		2	J, U					*XJ	
		2	J, U					*DL	
		2	J, T					*DL	
		2						*J5	
		2						*F7	
		2						*V5	
		2						*A7	
9									SHIELD, Seat Adjuster
	0UZ421DVAA	1	J, U					*DL	[DV], Passenger, Inboard
	0UZ42TL2AA	1	J, U					*DL	[L2], Passenger, Inboard
	0UZ42WL5AA	1						*J5	[L5], Passenger, Inboard
		1						*F7	[L5], Passenger, Inboard
		1	J, T					*DL	[D2, L2], Passenger, Inboard
		1	J, U					*E7	[L5], Passenger, Inboard
		1	J, T					*M5	[L5], Passenger, Inboard
	0UZ42XDVAA	1	J, U					*XJ	[L5], Passenger, Inboard
		1						*J5	[DV], Passenger, Inboard
		1	J, T					*XJ	[L5], Passenger, Inboard
		1	J, U					*E7	[DV], Passenger, Inboard
		1						*F7	[DV], Passenger, Inboard
		1	J, U					*XJ	[DV], Passenger, Inboard
		1						*V5	Passenger, Inboard
		1						*A7	Passenger, Inboard
		1	J, T					*M5	[DV], Passenger, Inboard
		1	J, T					*XJ	[DV], Passenger, Inboard
	0UZ43TL2AA	1	J, T					*DL	[D2, L2], Driver, Inboard
		1	J, U					*DL	[L2], Driver, Inboard
	0UZ43WL5AA	1	J, U					*E7	[L5], Driver, Inboard

LIBERTY (KJ)									
SERIES	LINE		BODY	ENGINE	TRANSMISSION				
P = Limited	J = LHD (4WD)		74 = 4 Door (104.3 WB)	ED1 = Engine - 2.4L 4 Cyl DOHC 16v SMPI	DDD = Transmission - 5-Speed HD Manual				
H = Sport	U = RHD (4WD)			EKG = Engine - 3.7L V6	DDK = Transmission - 5-Speed HD Manual				
M = Renegade	T = LHD (2WD)			ENJ = Engine - 2.5L 4 Cyl 16V Turbo Diesel	DG4 = Transmission-Multi-Speed Auto, 45RFE				
				ENR = Engine - 2.8L 4 Cyl Turbo Diesel	DG6 = Transmission-4-Spd. Automatic, 42RLE				
				ENO = 4Cyl Turbo Diesel	DGQ = Transmission-5-Spd Automatic 5-45RFE				
				EN0 = All 3.7L	DBB = All Manual Transmissions				
				ED0 = All 2.4L	DG0 = All Automatic Transmissions				

AR = use ase required - = Non illustrated part

Recliner and Adjuster
Figure IKJ-810

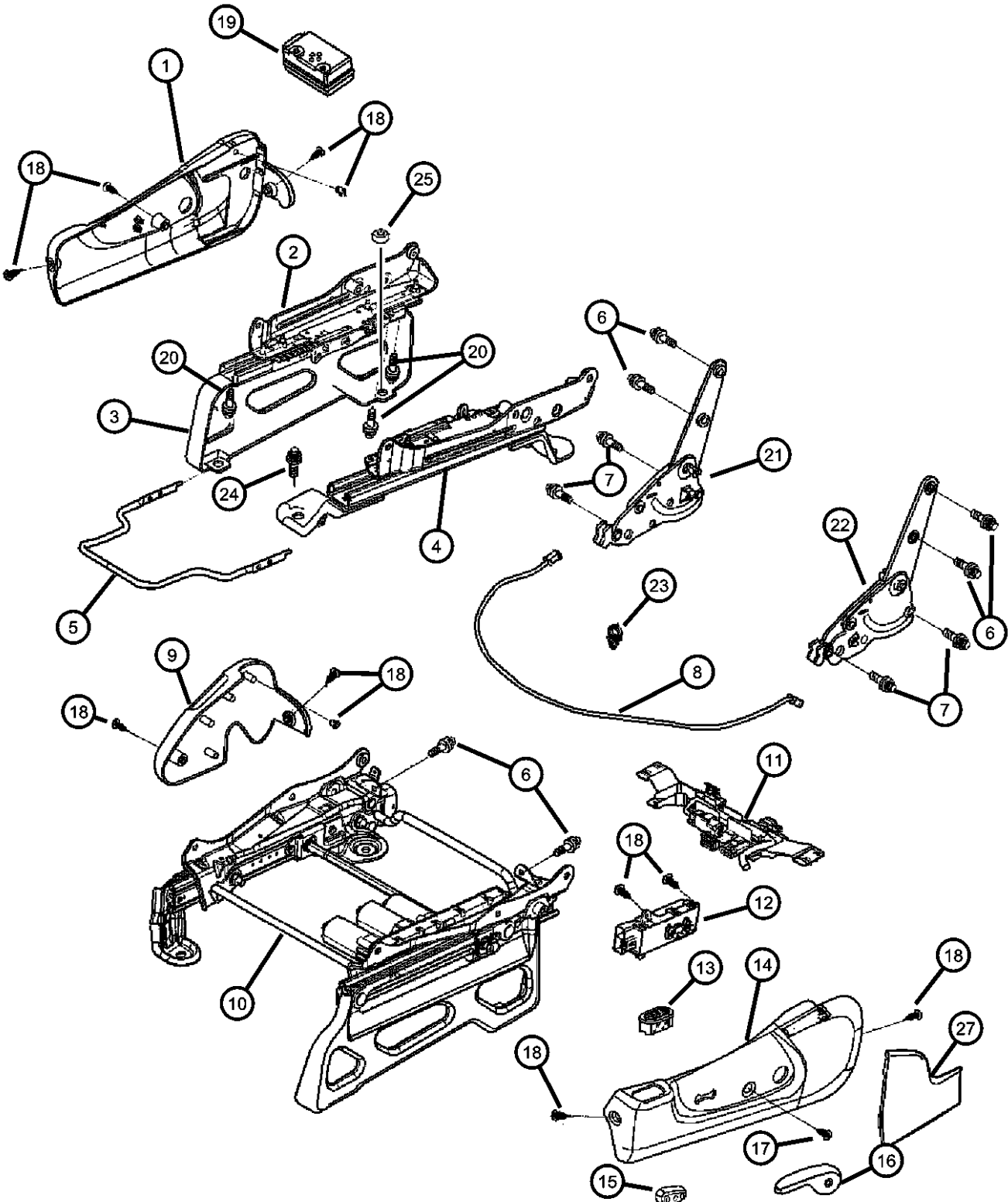


ITEM	PART NUMBER	QTY	LINE	SERIES	BODY	ENGINE	TRANS	TRIM	DESCRIPTION
		1	J, T					*M5	[L5], Driver, Inboard
		1	J, U					*XJ	[L5], Driver, Inboard
		1						*J5	[L5], Driver, Inboard
		1	J, T					*XJ	[L5], Driver, Inboard
		1						*F7	[L5], Driver, Inboard
	0UZ43XDVAA	1	J, T					*M5	[DV], Driver, Inboard
		1	J, U					*DL	[DV], Driver, Inboard
		1	J, U					*E7	[DV], Driver, Inboard
		1						*J5	[DV], Driver, Inboard
		1	J, T					*XJ	[DV], Driver, Inboard
		1	J, U					*XJ	[DV], Driver, Inboard
		1						*V5	Driver, Inboard
		1						*F7	[DV], Driver, Inboard
		1						*A7	Driver, Inboard
10									ADJUSTER, Power Seat
	0WZ34DX9AA	1						*A7	Passenger
		1						*F7	[DV, L5], Passenger
	0WZ34WL8AA	1	J, U					*DL	[L2], Passenger
		1	J, T					*DL	[L2] RHD, Driver
		1	J, U					*XJ	[L5], Passenger
	0WZ34XD-VAA	1	J, U					*XJ	[DV], Passenger
		1	J, U					*DL	[DV], Passenger
		1	J, T					*DL	[D2] RHD, Driver
	0WZ35DX9AA	1						*J5	[DV, L5], Driver
		1						*A7	Driver
	0WZ35WL8AA	1						*F7	[DV, L5], Driver
		1	J, U					*XJ	[L5], Driver
		1	J, T					*XJ	[L5], Driver
		1	J, U					*DL	[L2], Driver

LIBERTY (KJ)									
SERIES	LINE			BODY		ENGINE		TRANSMISSION	
P = Limited	J = LHD (4WD)			74 = 4 Door (104.3 WB)		ED1 = Engine - 2.4L 4 Cyl		DDD = Transmission - 5-Speed HD	
H = Sport	U = RHD (4WD)					DOHC 16v SMPI		Manual	
M = Renegade	T = LHD (2WD)					EKG = Engine - 3.7L V6		DDK = Transmission - 5-Speed HD	
						ENJ = Engine -2.5L 4 Cyl 16V		Manual	
						Turbo Diesel		DG4 = Transmission-Multi-Speed	
						ENR = Engine - 2.8L 4 Cyl		Auto, 45RFE	
						Turbo Diesel		DG6 = Transmission-4-Spd.	
						ENO = 4Cyl Turbo Diesel		Automatic, 42RLE	
						EKO = All 3.7L		DGQ = Transmission-5-Spd Automatic	
						EDO = All 2.4L		5-45RFE	
								DBB = All Manual Transmissions	
								DG0 = All Automatic Transmissions	

AR = use ase required - = Non illustrated part

**Recliner and Adjuster
Figure IKJ-810**

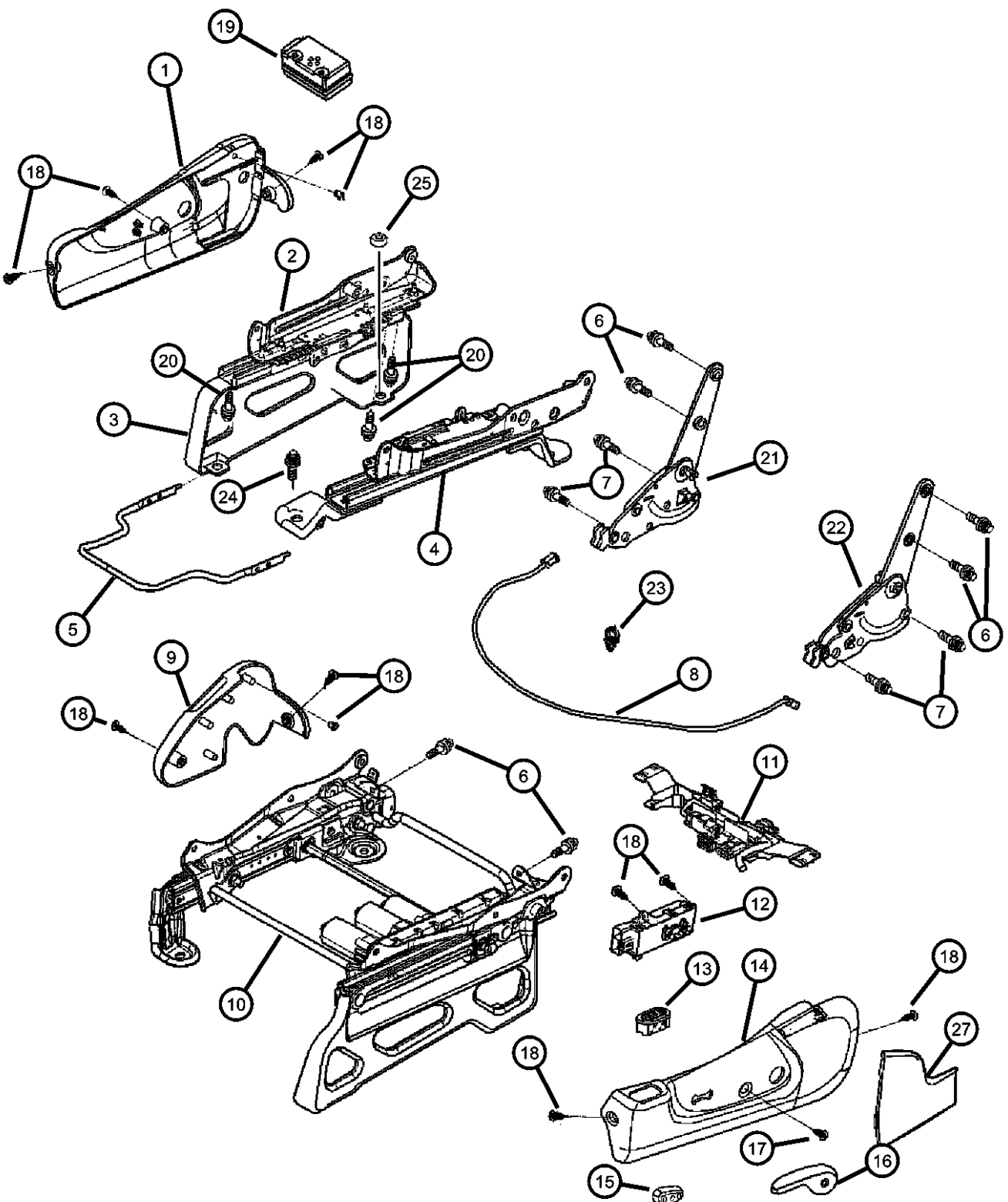


ITEM	PART NUMBER	QTY	LINE	SERIES	BODY	ENGINE	TRANS	TRIM	DESCRIPTION
		1	J, T					*DL	[L2] RHD, Passenger
	0WZ35XD-VAA	1	J, T					*DL	[D2] RHD, Passenger
		1	J, U					*DL	[DV], Driver
		1	J, T					*XJ	[DV], Driver
		1	J, U					*XJ	[DV], Driver
		1	J, T					*M5	[DV, L5], Driver
11									WIRING, Power Seat
	05127453AA	1	J, U					*DL	Non-Heated, Left, Power
		1						*J5	, Left, Power
		1						*F7	Left, Power
		1	J, U					*XJ	Left, Power
		1						*A7	Non-Heated, Left, Power
		1	J, T					*XJ	Left, Power
		1	J, T					*M5	Left, Power
	05127454AA	1	J, T					*DL	Non-Heated, Left, Power
	05127455AA	1	J, T					*DL	Non-Heated, Domestic, Right, Power
		1	J, U					*DL	Heated, Left, Power
	05127456AA	1	J, T					*DL	Heated, Domestic, Right, Power
	05127462AA	1	J, U					*DL	Non-Heated, Export, Right, Power
		1						*F7	Right, Power
		1	J, U					*XJ	Right, Power
		1						*A7	Non-Heated, Right, Power
	05127464AA	1	J, U					*DL	Non-Heated, Mexico, Right, Power
		1	J, T					*DL	Heated, Expot, Right, Power
12									SWITCH, Seat
	55352782AA	1	J, T					*M5	

LIBERTY (KJ)									
SERIES	LINE	BODY	ENGINE	TRANSMISSION					
P = Limited	J = LHD (4WD)	74 = 4 Door (104.3 WB)	ED1 = Engine - 2.4L 4 Cyl DOHC 16v SMPI	DDD = Transmission - 5-Speed HD Manual					
H = Sport	U = RHD (4WD)		EKG = Engine - 3.7L V6	DDK = Transmission - 5-Speed HD Manual					
M = Renegade	T = LHD (2WD)		ENJ = Engine -2.5L 4 Cyl 16v Turbo Diesel	DG4 = Transmission-Multi-Speed Auto, 45RFE					
			ENR = Engine - 2.8L 4 Cyl Turbo Diesel	DG6 = Transmission-4-Spd. Automatic, 42RLE					
			ENO = 4Cyl Turbo Diesel	DGQ = Transmission-5-Spd Automatic 5-45RFE					
			ED0 = All 2.4L	DBB = All Manual Transmissions					
				DG0 = All Automatic Transmissions					

AR = use ase required - = Non illustrated part

**Recliner and Adjuster
Figure IKJ-810**



ITEM	PART NUMBER	QTY	LINE	SERIES	BODY	ENGINE	TRANS	TRIM	DESCRIPTION
		1	J, T					*XJ	
		2	J, U					*XJ	
		2	J, U					*DL	
		2						*F7	
		1						*J5	
		2	J, T					*DL	
		2						*A7	
13									SWITCH, Heated Seat
	5GW44DX9AB	2	J, T					*DL	
		2	J, U					*DL	
14									SHIELD, Seat Adjuster, Power Seat
	0ZH841DVAA	1						*F7	[DV], Non-Heated, Right
		1	J, U					*DL	[DV], Non-Heated, Right
		1	J, U					*XJ	[DV], Non-Heated, Right
		1						*A7	Right
	0ZH841L2AA	1	J, T					*DL	[D2, L2], Non-Heated, Right
		1	J, U					*DL	[L2], Non-Heated, Right
	0ZH841L5AA	1						*F7	[L5], Non-Heated, Right
		1	J, U					*XJ	[L5], Non-Heated, Right
	0ZH851DVAA	1						*J5	[DV], Non-Heated, Left
		1						*F7	[DV], Non-Heated, Left
		1	J, T					*M5	[DV], Non-Heated, Left
		1	J, U					*XJ	[DV], Non-Heated, Left
		1						*A7	Left
		1	J, T					*XJ	[DV], Non-Heated, Left
		1	J, U					*DL	[DV], Non-Heated, Left
	0ZH851L2AA	1	J, T					*DL	[D2, L2], Non-Heated, Left
		1	J, U					*DL	[L2], Non-Heated, Left
	0ZH851L5AA	1						*J5	[L5], Non-Heated, Left

LIBERTY (KJ)
 SERIES LINE
 P = Limited J = LHD (4WD)
 H = Sport U = RHD (4WD)
 M = Renegade T = LHD (2WD)

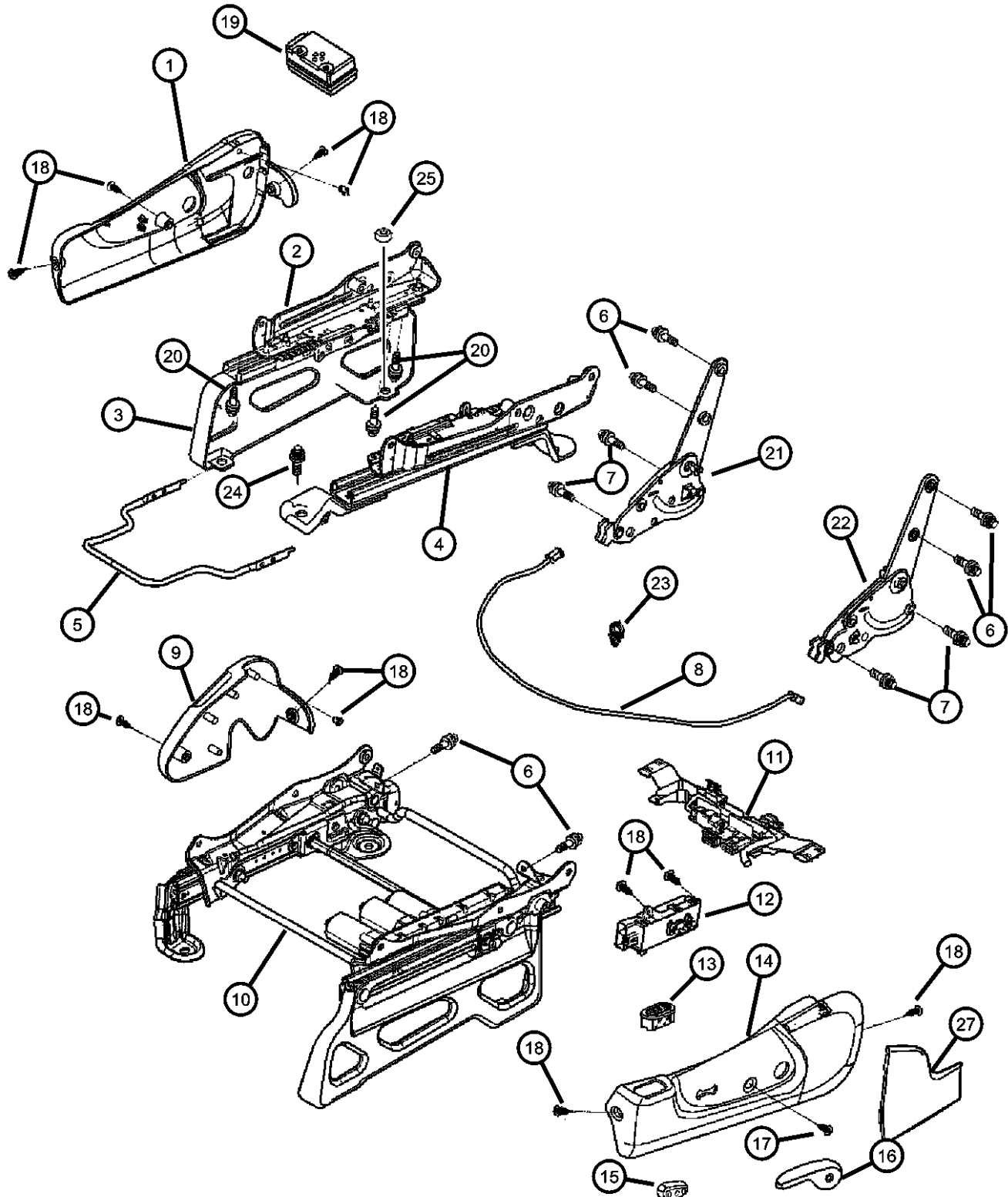
BODY
 74 = 4 Door (104.3 WB)

ENGINE
 ED1 = Engine - 2.4L 4 Cyl
 DOHC 16v SMPI
 EKG = Engine - 3.7L V6
 ENJ = Engine -2.5L 4 Cyl 16V
 Turbo Diesel
 ENR = Engine - 2.8L 4 Cyl
 Turbo Diesel
 EN0 = 4Cyl Turbo Diesel
 EK0 = All 3.7L
 ED0 = All 2.4L

TRANSMISSION
 DDD = Transmission - 5-Speed HD
 Manual
 DDK = Transmission - 5-Speed HD
 Manual
 DG4 = Transmission-Multi-Speed
 Auto, 45RFE
 DG6 = Transmission-4-Spd.
 Automatic, 42RLE
 DGQ = Transmission-5-Spd Automatic
 5-45RFE
 DBB = All Manual Transmissions
 DG0 = All Automatic Transmissions

AR = use ase required - = Non illustrated part

**Recliner and Adjuster
Figure IKJ-810**

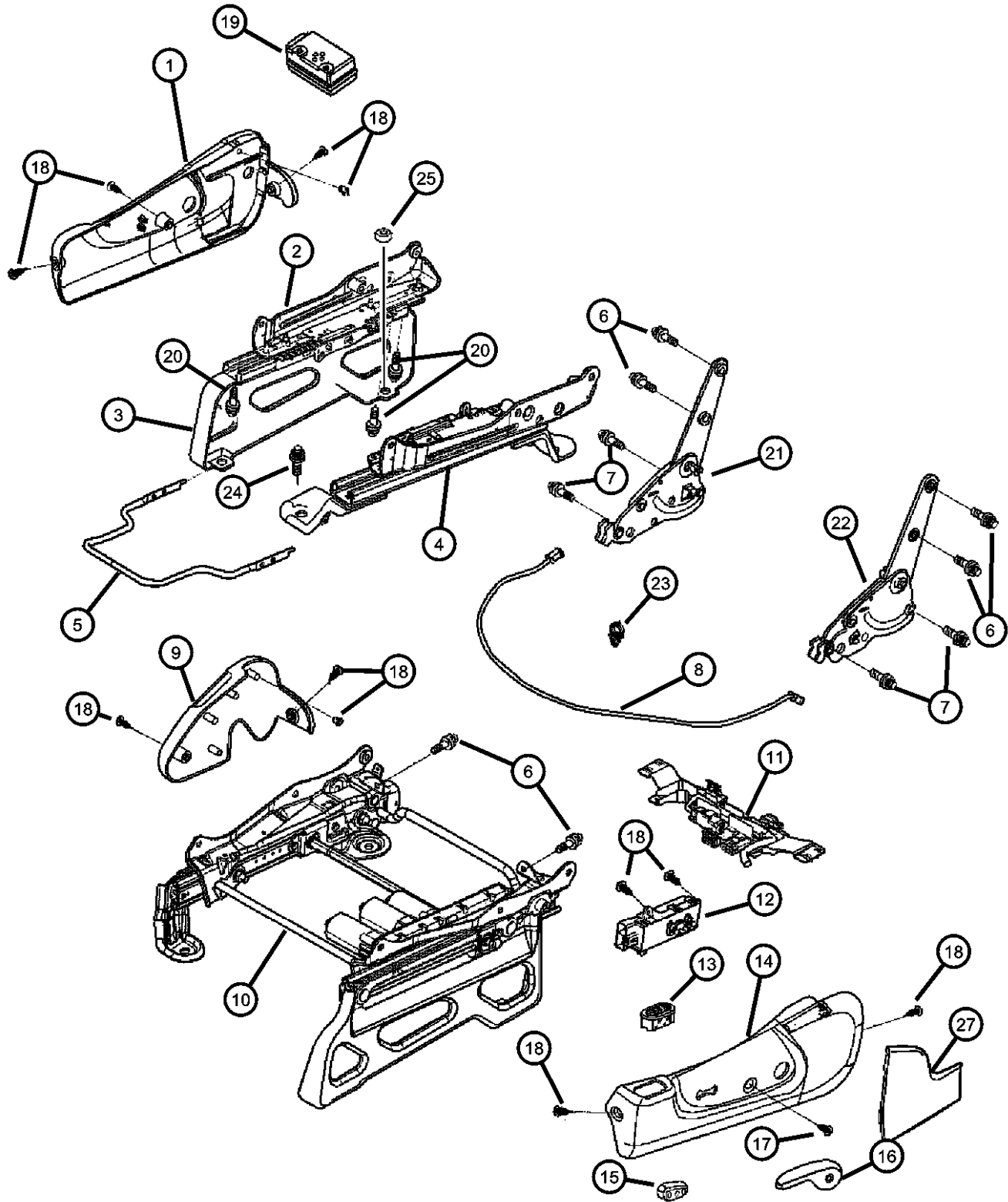


ITEM	PART NUMBER	QTY	LINE	SERIES	BODY	ENGINE	TRANS	TRIM	DESCRIPTION
		1						*F7	[L5], Non-Heated, Left
		1	J, T					*XJ	[L5], Non-Heated, Left
		1	J, T					*M5	[L5], Non-Heated, Left
		1	J, U					*XJ	[L5], Non-Heated, Left
	0ZH861DVAA	1	J, U					*DL	[DV], Heated, Right
	0ZH861L2AA	1	J, U					*DL	[L2], Heated, Right
		1	J, T					*DL	[D2, L2], Heated, Right
	0ZH871DVAA	1	J, U					*DL	[DV], Heated, Left
	0ZH871L2AA	1	J, U					*DL	[L2], Heated, Left
		1	J, T					*DL	[D2, L2], Heated, Left
15									KNOB, Power Seat Switch
	04607042AB	1						*F7	Right
		1	J, T					*DL	Right
		1	J, U					*DL	Right
	04607043AB	1	J, T					*M5	Left
		1	J, T					*XJ	Left
		1						*A7	Right
		1	J, U					*XJ	Right
		1	J, U					*DL	Left
		1	J, T					*DL	Left
		1	J, U					*XJ	Left
		1						*A7	Left
		1						*F7	Left
		1						*J5	Left
16									HANDLE, Recliner
	0UZ281DVAB	1						*J5	[DV], Right
		1						*F7	[DV], Right
		1	J, U					*DL	[DV], Right
		1	J, T					*M5	[DV], Right
		1						*V5	[DV], Right

LIBERTY (KJ)									
SERIES	LINE			BODY		ENGINE		TRANSMISSION	
P = Limited	J = LHD (4WD)			74 = 4 Door (104.3 WB)		ED1 = Engine - 2.4L 4 Cyl		DDD = Transmission - 5-Speed HD	
H = Sport	U = RHD (4WD)					DOHC 16v SMPI		Manual	
M = Renegade	T = LHD (2WD)					EKG = Engine - 3.7L V6		DDK = Transmission - 5-Speed HD	
						ENJ = Engine - 2.5L 4 Cyl 16V		Manual	
						Turbo Diesel		DG4 = Transmission-Multi-Speed	
						ENR = Engine - 2.8L 4 Cyl		Auto, 45RFE	
						Turbo Diesel		DG6 = Transmission-4-Spd.	
						ENO = 4Cyl Turbo Diesel		Automatic, 42RLE	
						EK0 = All 3.7L		DGQ = Transmission-5-Spd Automatic	
						ED0 = All 2.4L		5-45RFE	
								DBB = All Manual Transmissions	
								DG0 = All Automatic Transmissions	

AR = use ase required - = Non illustrated part

**Recliner and Adjuster
Figure IKJ-810**



ITEM	PART NUMBER	QTY	LINE	SERIES	BODY	ENGINE	TRANS	TRIM	DESCRIPTION
		1	J, U					*E7	[DV], Right
		1	J, U					*XJ	[DV], Right
		1						*A7	[DV], Right
		1	J, T					*XJ	[DV], Right
	0UZ281L2AB	1	J, U					*DL	[L2], Right
		1	J, T					*DL	[D2, L2], Right
	0UZ281L5AB	1						*J5	[L5], Right
		1						*F7	[L5], Right
		1	J, T					*M5	[L5], Right
		1	J, U					*E7	[L5], Right
		1	J, U					*XJ	[L5], Right
		1	J, T					*XJ	[L5], Right
	0UZ291DVAB	1						*J5	[DV], Left
		1						*F7	[DV], Left
		1	J, T					*XJ	[DV], Left
		1	J, U					*E7	[DV], Left
		1	J, U					*DL	[DV], Left
		1						*V5	[DV], Left
		1	J, T					*M5	[DV], Left
		1	J, U					*XJ	[DV], Left
	0UZ291L2AB	1	J, U					*DL	[L2], Left
		1	J, T					*DL	[D2, L2], Left
		1						*A7	[DV], Left
	0UZ291L5AB	1						*J5	[L5], Left
		1						*F7	[L5], Left
		1	J, T					*M5	[L5], Left
		1	J, U					*E7	[L5], Left
		1	J, U					*XJ	[L5], Left
		1	J, T					*XJ	[L5], Left
17									SCREW, Recliner Handle

LIBERTY (KJ)
 SERIES LINE
 P = Limited J = LHD (4WD)
 H = Sport U = RHD (4WD)
 M = Renegade T = LHD (2WD)

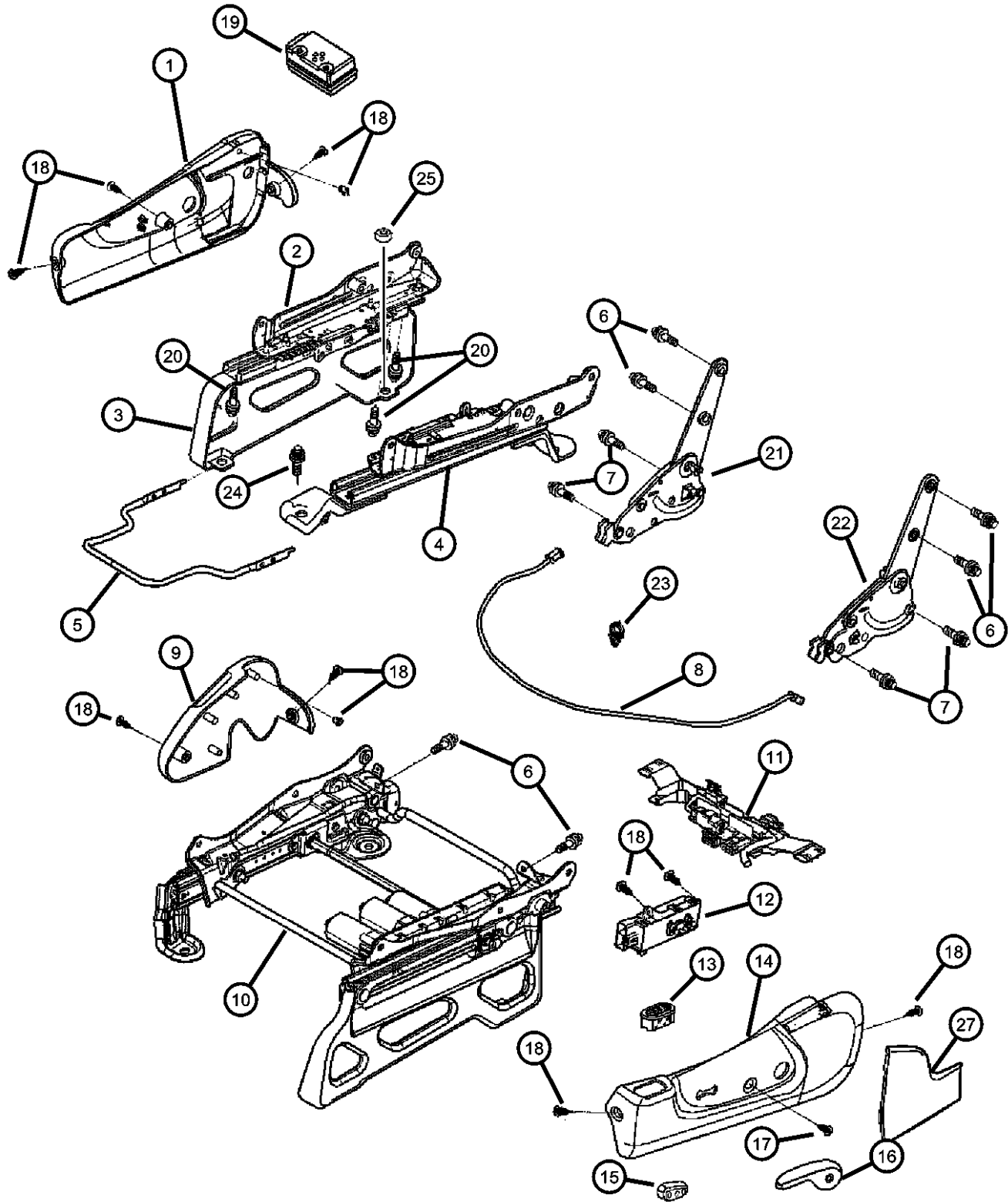
BODY
 74 = 4 Door (104.3 WB)

ENGINE
 ED1 = Engine - 2.4L 4 Cyl
 DOHC 16v SMPI
 EKG = Engine - 3.7L V6
 ENJ = Engine -2.5L 4 Cyl 16V
 Turbo Diesel
 ENR = Engine - 2.8L 4 Cyl
 Turbo Diesel
 EN0 = 4Cyl Turbo Diesel
 EK0 = All 3.7L
 ED0 = All 2.4L

TRANSMISSION
 DDD = Transmission - 5-Speed HD
 Manual
 DDK = Transmission - 5-Speed HD
 Manual
 DG4 = Transmission-Multi-Speed
 Auto, 45RFE
 DG6 = Transmission-4-Spd.
 Automatic, 42RLE
 DGQ = Transmission-5-Spd Automatic
 5-45RFE
 DBB = All Manual Transmissions
 DG0 = All Automatic Transmissions

AR = use ase required - = Non illustrated part

**Recliner and Adjuster
Figure IKJ-810**

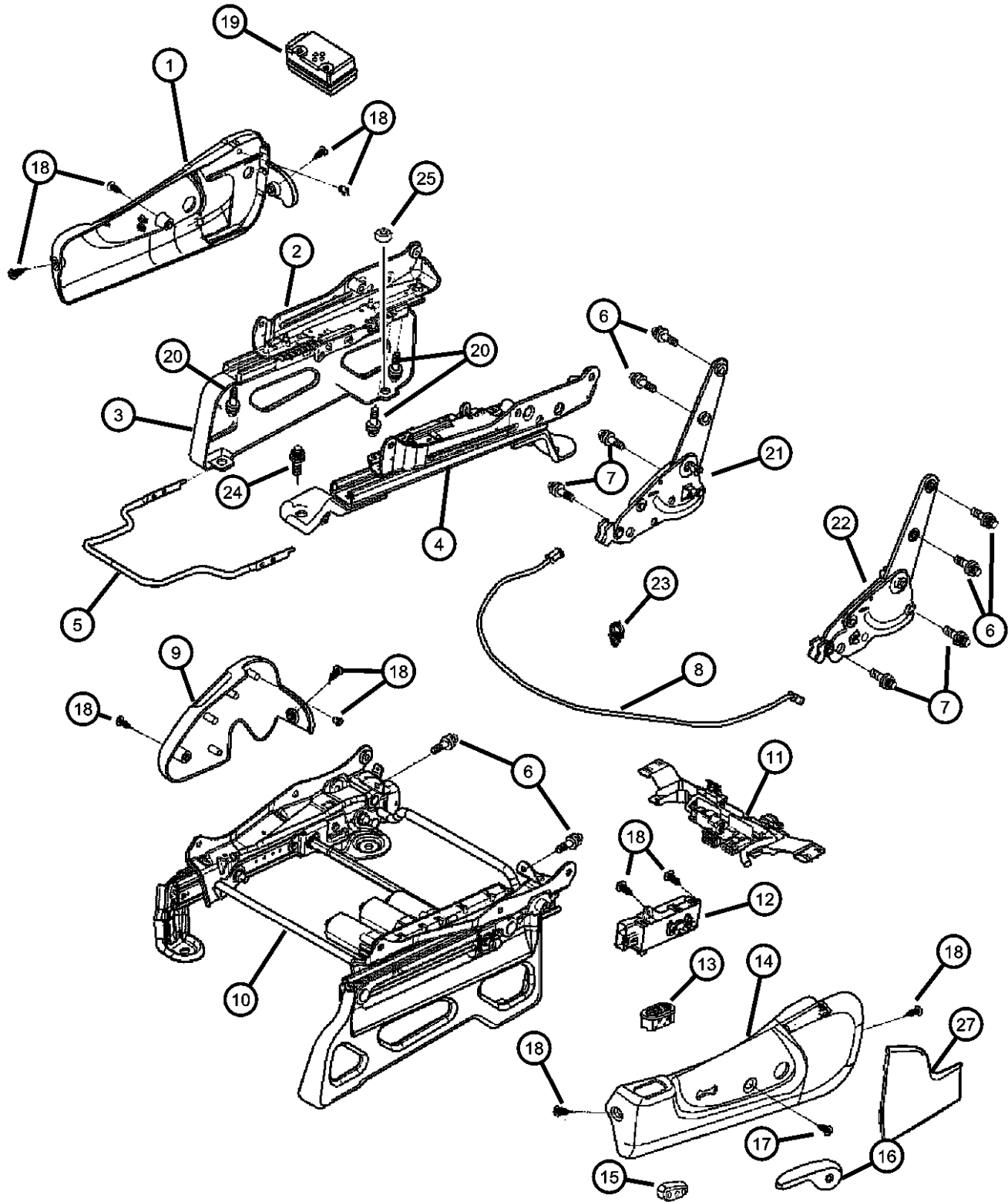


ITEM	PART NUMBER	QTY	LINE	SERIES	BODY	ENGINE	TRANS	TRIM	DESCRIPTION
	05072127AB	2	J, T					*M5	
		2	J, T					*XJ	
		2	J, U					*E7	
		2	J, U					*XJ	
		2	J, U					*DL	
		2	J, T					*DL	
		2						*J5	
		2						*F7	
		2						*V5	
		2						*A7	
18	05072741AA	8	J, T						SCREW, Trim
		8	J, T					*M5	
		8	J, T					*XJ	
		8	J, U					*E7	
		8	J, U					*XJ	
		8	J, U					*DL	
		8	J, T					*DL	
		8						*J5	
		8						*F7	
		8						*V5	
		8						*A7	
19	56010113AA	1	J, T						MODULE, Heated Seat Control
		1	J, U					*DL	
20	06101452	4							SCREW AND WASHER, Hex Head, M8x1.25x20
21	05072020AA	1							RECLINER, Front Seat Back
		1						*J5	Right, Outboard
		1						*F7	Right, Outboard
		1	J, U					*XJ	Right, Outboard

LIBERTY (KJ)									
SERIES	LINE		BODY		ENGINE		TRANSMISSION		
P = Limited	J = LHD (4WD)		74 = 4 Door (104.3 WB)		ED1 = Engine - 2.4L 4 Cyl DOHC 16v SMPI		DDD = Transmission - 5-Speed HD Manual		
H = Sport	U = RHD (4WD)				EKG = Engine - 3.7L V6		DDK = Transmission - 5-Speed HD Manual		
M = Renegade	T = LHD (2WD)				ENJ = Engine -2.5L 4 Cyl 16v Turbo Diesel		DG4 = Transmission-Multi-Speed Auto, 45RFE		
					ENR = Engine - 2.8L 4 Cyl Turbo Diesel		DG6 = Transmission-4-Spd. Automatic, 42RLE		
					ENO = 4Cyl Turbo Diesel		DGQ = Transmission-5-Spd Automatic 5-45RFE		
					EK0 = All 3.7L		DBB = All Manual Transmissions		
					ED0 = All 2.4L		DG0 = All Automatic Transmissions		

AR = use ase required - = Non illustrated part

**Recliner and Adjuster
Figure IKJ-810**

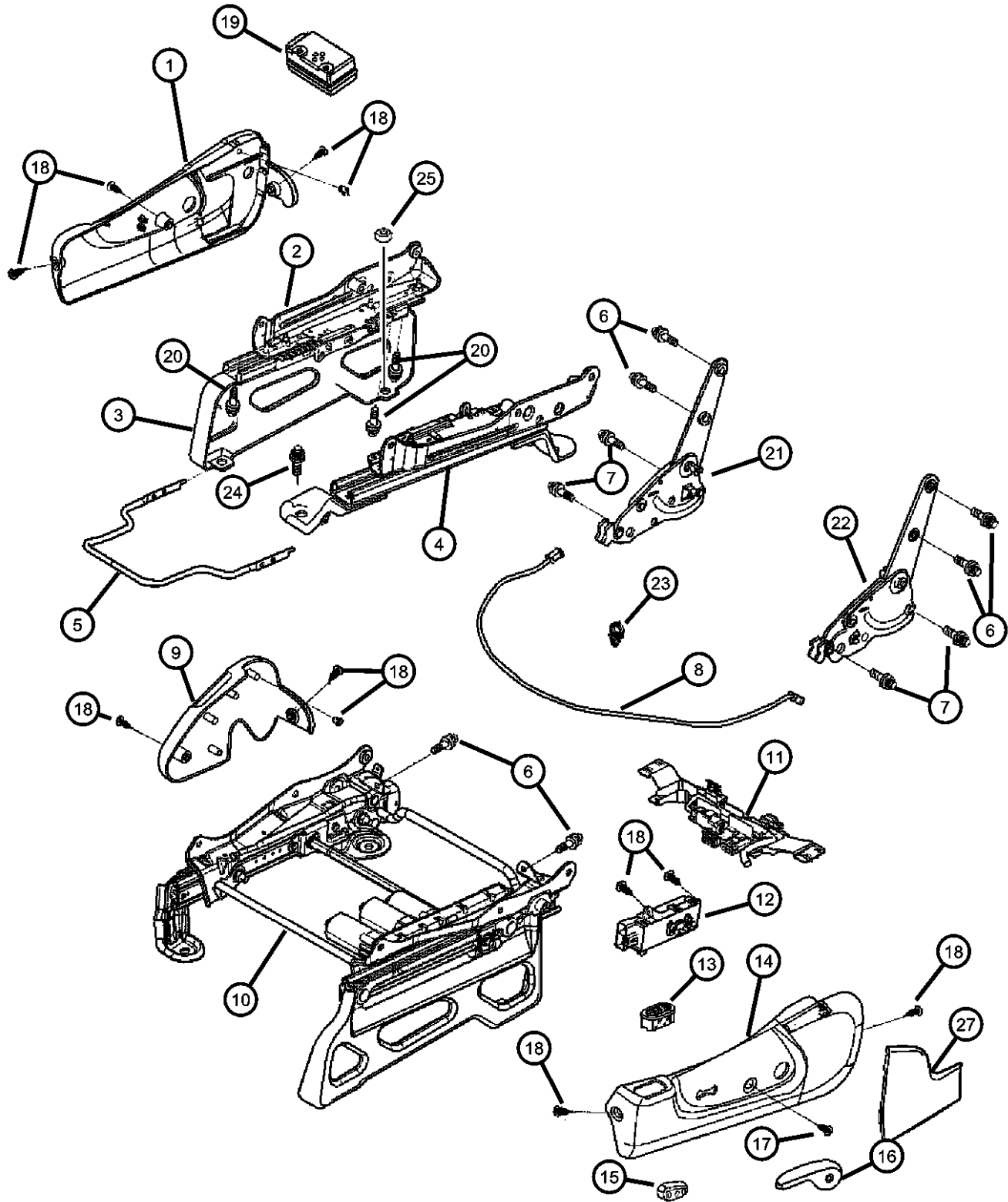


ITEM	PART NUMBER	QTY	LINE	SERIES	BODY	ENGINE	TRANS	TRIM	DESCRIPTION
		1	J, T					*XJ	Right, Outboard
		1	J, U					*E7	Right, Outboard
		1						*V5	Right, Outboard
		1						*A7	Right, Outboard
		1	J, T					*M5	Right, Outboard
		1	J, T					*DL	Right, Outboard
		1	J, U					*DL	Right, Outboard
	05072022AA	1	J, U					*DL	Left, Inboard
		1						*J5	Left, Inboard
		1						*F7	Left, Inboard
		1	J, T					*M5	Left, Inboard
		1	J, U					*XJ	Left, Inboard
		1	J, T					*XJ	Left, Inboard
		1	J, U					*E7	Left, Inboard
		1	J, T					*DL	Left, Inboard
		1						*A7	Left, Inboard
		1						*V5	Left, Inboard
22									RECLINER, Front Seat Back
	05072021AA	1	J, U					*DL	Right, Inboard
		1	J, T					*DL	Right, Inboard
		1						*J5	Right, Inboard
		1	J, U					*E7	Right, Inboard
		1						*F7	Right, Inboard
		1	J, T					*XJ	Right, Inboard
		1						*A7	Right, Inboard
		1	J, U					*XJ	Right, Inboard
		1	J, T					*M5	Right, Inboard
		1						*V5	Right, Inboard
	05072023AA	1	J, U					*DL	Left, Outboard
		1	J, T					*DL	Left, Outboard

LIBERTY (KJ)									
SERIES	LINE			BODY	ENGINE			TRANSMISSION	
P = Limited	J = LHD (4WD)			74 = 4 Door (104.3 WB)	ED1 = Engine - 2.4L 4 Cyl DOHC 16v SMPI			DDD = Transmission - 5-Speed HD Manual	
H = Sport	U = RHD (4WD)				EKG = Engine - 3.7L V6			DDK = Transmission - 5-Speed HD Manual	
M = Renegade	T = LHD (2WD)				ENJ = Engine - 2.5L 4 Cyl 16V Turbo Diesel			DG4 = Transmission-Multi-Speed Auto, 45RFE	
					ENR = Engine - 2.8L 4 Cyl Turbo Diesel			DG6 = Transmission-4-Spd. Automatic, 42RLE	
					ENO = 4Cyl Turbo Diesel			DGQ = Transmission-5-Spd Automatic 5-45RFE	
					EKO = All 3.7L			DBB = All Manual Transmissions	
					EDO = All 2.4L			DG0 = All Automatic Transmissions	

AR = use ase required - = Non illustrated part

**Recliner and Adjuster
Figure IKJ-810**

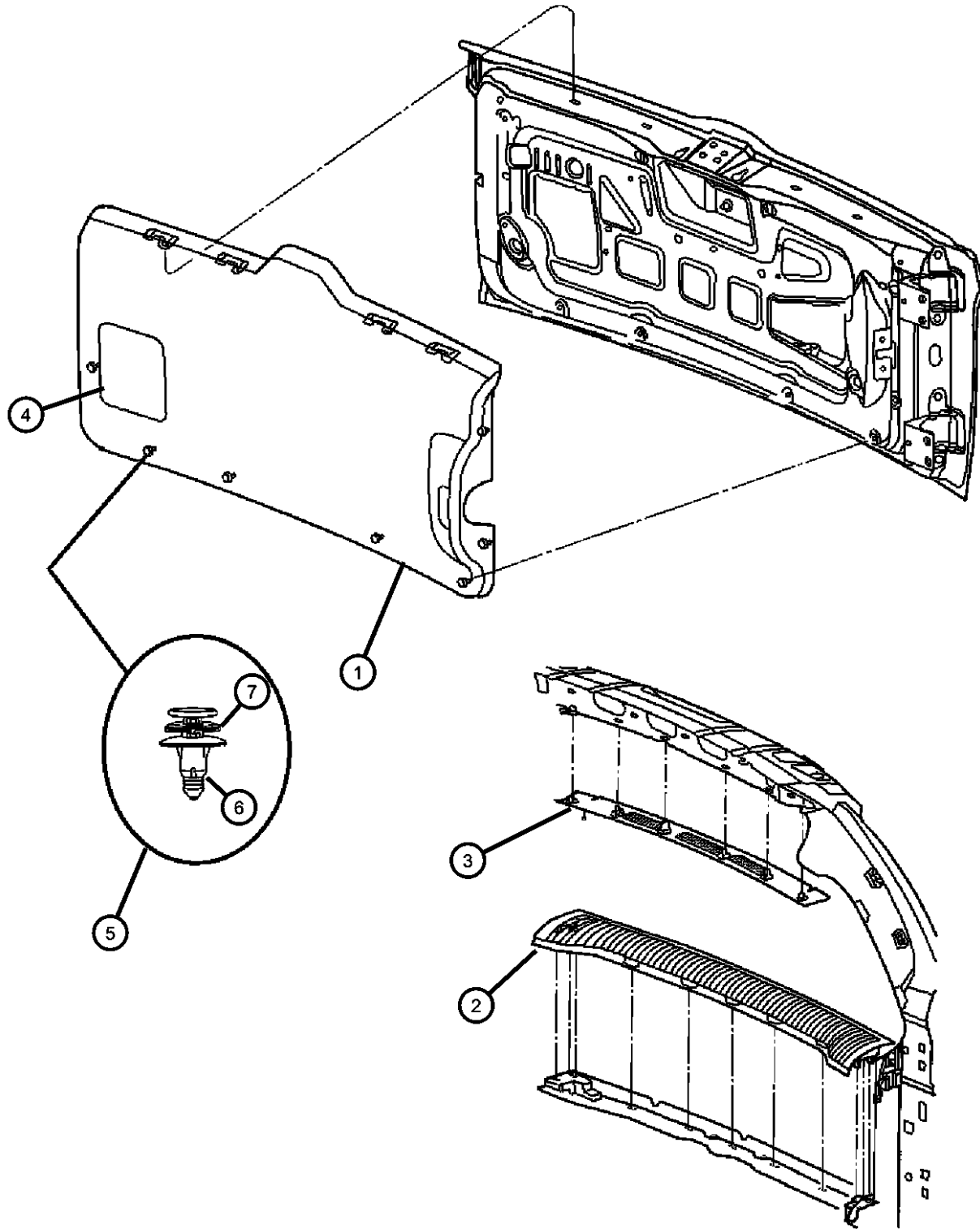


ITEM	PART NUMBER	QTY	LINE	SERIES	BODY	ENGINE	TRANS	TRIM	DESCRIPTION
		1						*F7	Left, Outboard
		1						*J5	Left, Outboard
		1	J, T					*XJ	Left, Outboard
		1	J, T					*M5	Left, Outboard
		1	J, U					*E7	Left, Outboard
		1	J, U					*XJ	Left, Outboard
		1						*V5	Left, Outboard
		1						*A7	Left, Outboard
23									CLIP, Cable
	05072013AA	4	J, T					*M5	
		4	J, T					*XJ	
		4	J, U					*E7	
		4	J, U					*XJ	
		4	J, U					*DL	
		4	J, T					*DL	
		4						*J5	
		4						*F7	
		4						*A7	
		4						*V5	
24	06506791AA	6							SCREW, Seat
25	06507170AA	2							BOLT, Seat
-26	04754806	1	U						BRACKET, Attaches Flare to Front Outboard Riser, Japan Only
27									COVER, Seat Belt Anchor
	5JX80TL2AA	1						*O0	[D2, L2], Right
	5JX80WL5AA	1						*O0	[L5], Right
	5JX80XDVAA	1						*O0	[DV], Right
	5JX81TL2AA	1						*O0	[D2, L2], Left
	5JX81XDVAA	1						*O0	[DV], Left
	5JX81WL5AA	1						*O0	[L5], Left

LIBERTY (KJ)									
SERIES	LINE			BODY		ENGINE		TRANSMISSION	
P = Limited	J = LHD (4WD)			74 = 4 Door (104.3 WB)		ED1 = Engine - 2.4L 4 Cyl DOHC 16v SMPI		DDD = Transmission - 5-Speed HD Manual	
H = Sport	U = RHD (4WD)					EKG = Engine - 3.7L V6		DDK = Transmission - 5-Speed HD Manual	
M = Renegade	T = LHD (2WD)					ENJ = Engine - 2.5L 4 Cyl 16v Turbo Diesel		DG4 = Transmission-Multi-Speed Auto, 45RFE	
						ENR = Engine - 2.8L 4 Cyl Turbo Diesel		DG6 = Transmission-4-Spd. Automatic, 42RLE	
						ENO = 4Cyl Turbo Diesel		DGQ = Transmission-5-Spd Automatic 5-45RFE	
						EK0 = All 3.7L		DBB = All Manual Transmissions	
						ED0 = All 2.4L		DG0 = All Automatic Transmissions	

AR = use ase required - = Non illustrated part

**Swing Gate Trim Panel
Figure IKJ-1010**



ITEM	PART NUMBER	QTY	LINE	SERIES	BODY	ENGINE	TRANS	TRIM	DESCRIPTION
1	5GE89WL5AJ	1						*00	PANEL, Liftgate Lower [L2, L5]
	5GE89XDVAJ	1						*00	[D2, DV]
2	5GE73WL5AJ	1						*00	PLATE, Liftgate Scuff, Lower [L2, L5]
	5GE73XDVAJ	1						*00	[D2, DV]
3	5GP80WL5AI	1						*00	MOLDING, Headliner [L2, L5]
	5GP80XDVAI	1						*00	[D2, DV]
4	0WZ20WL5AA	1						*00	PANEL, Liftgate Glass Latch [L2, L5]
	0WZ20XD-VAA	1						*00	[D2, DV]
5	05023173AA	9						*00	RETAINER, Trim Panel
6	05023174AA	9						*00	PIN, Push
7	05023175AA	9						*00	GROMMET

LIBERTY (KJ)

SERIES

P = Limited
H = Sport
M = Renegade

LINE

J = LHD (4WD)
U = RHD (4WD)
T = LHD (2WD)

BODY

74 = 4 Door (104.3 WB)

ENGINE

ED1 = Engine - 2.4L 4 Cyl
DOHC 16v SMPI
EKG = Engine - 3.7L V6
ENJ = Engine -2.5L 4 Cyl 16V
Turbo Diesel
ENR = Engine - 2.8L 4 Cyl
Turbo Diesel
ENO = 4Cyl Turbo Diesel
EKO = All 3.7L
EDO = All 2.4L

TRANSMISSION

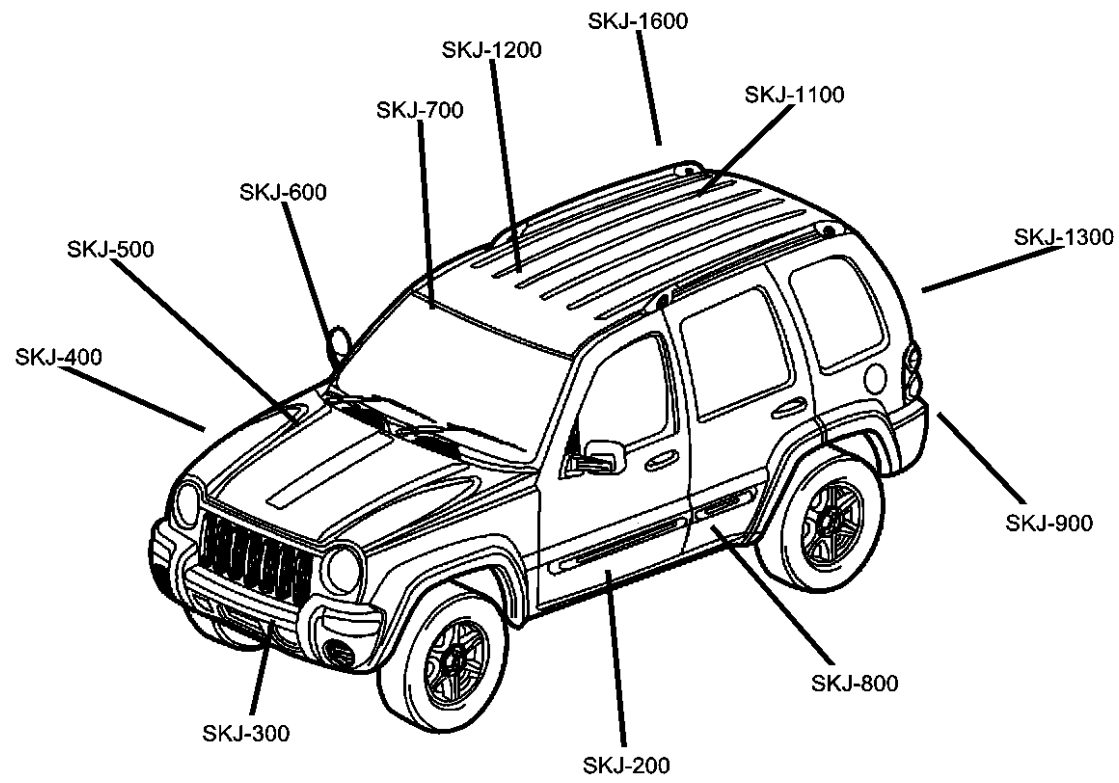
DDD = Transmission - 5-Speed HD
Manual
DDK = Transmission - 5-Speed HD
Manual
DG4 = Transmission-Multi-Speed
Auto, 45RFE
DG6 = Transmission-4-Spd.
Automatic, 42RLE
DGQ = Transmission-5-Spd Automatic
5-45RFE
DBB = All Manual Transmissions
DG0 = All Automatic Transmissions

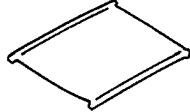

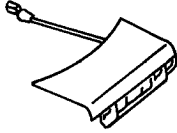
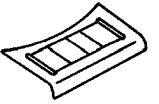
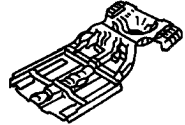

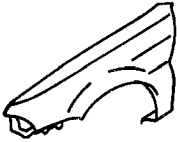
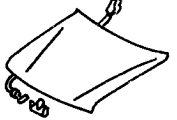
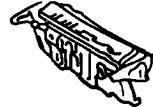
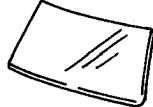
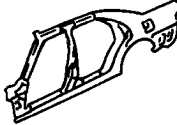
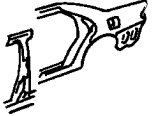
AR = use ase required - = Non illustrated part

2004 KJ

Group - SKJ

Body Sheet Metal Except Doors



SKJ-1100 Roof Panels 	SKJ-1200 Sunroof 	SKJ-1300 Liftgate Panel 	SKJ-1600 Luggage Rack 
SKJ-200 Floor Pans 	SKJ-300 Plugs 	SKJ-400 Front Fenders 	SKJ-500 Hood & Hood Release 
SKJ-600 Cowl and Dash Panel 	SKJ-700 Glass and Rear View Mirror 	SKJ-800 Aperture Panel 	SKJ-900 Quarter Panel and Pillar 

Group - SKJ Body Sheet Metal Except Doors

Illustration Title

Group-Fig. No.

Floor Pans

Front Floor Pan.....	Fig. SKJ - 210
Rear Floor Pan.....	Fig. SKJ - 220
Plates, Underbody Skid.....	Fig. SKJ - 230

Plugs

Plugs.....	Fig. SKJ - 310
------------	----------------

Front Fenders

Front Fender.....	Fig. SKJ - 410
-------------------	----------------

Hood & Hood Release

Hood, Latch and Hinges.....	Fig. SKJ - 510
-----------------------------	----------------

Cowl and Dash Panel

Cowl and Dash Panel.....	Fig. SKJ - 610
--------------------------	----------------

Glass and Rear View Mirror

Windshield, Quarter Window, Backlite and Mirror.....	Fig. SKJ - 710
--	----------------

Aperture Panel

Panels, Body Side.....	Fig. SKJ - 810
------------------------	----------------

Quarter Panel and Pillar

Panels, Rear Quarter.....	Fig. SKJ - 910
Fuel Filler Housing and Door.....	Fig. SKJ - 920

Roof Panels

Roof Panel.....	Fig. SKJ - 1110
-----------------	-----------------

Sunroof

Sunroof.....	Fig. SKJ - 1210
--------------	-----------------

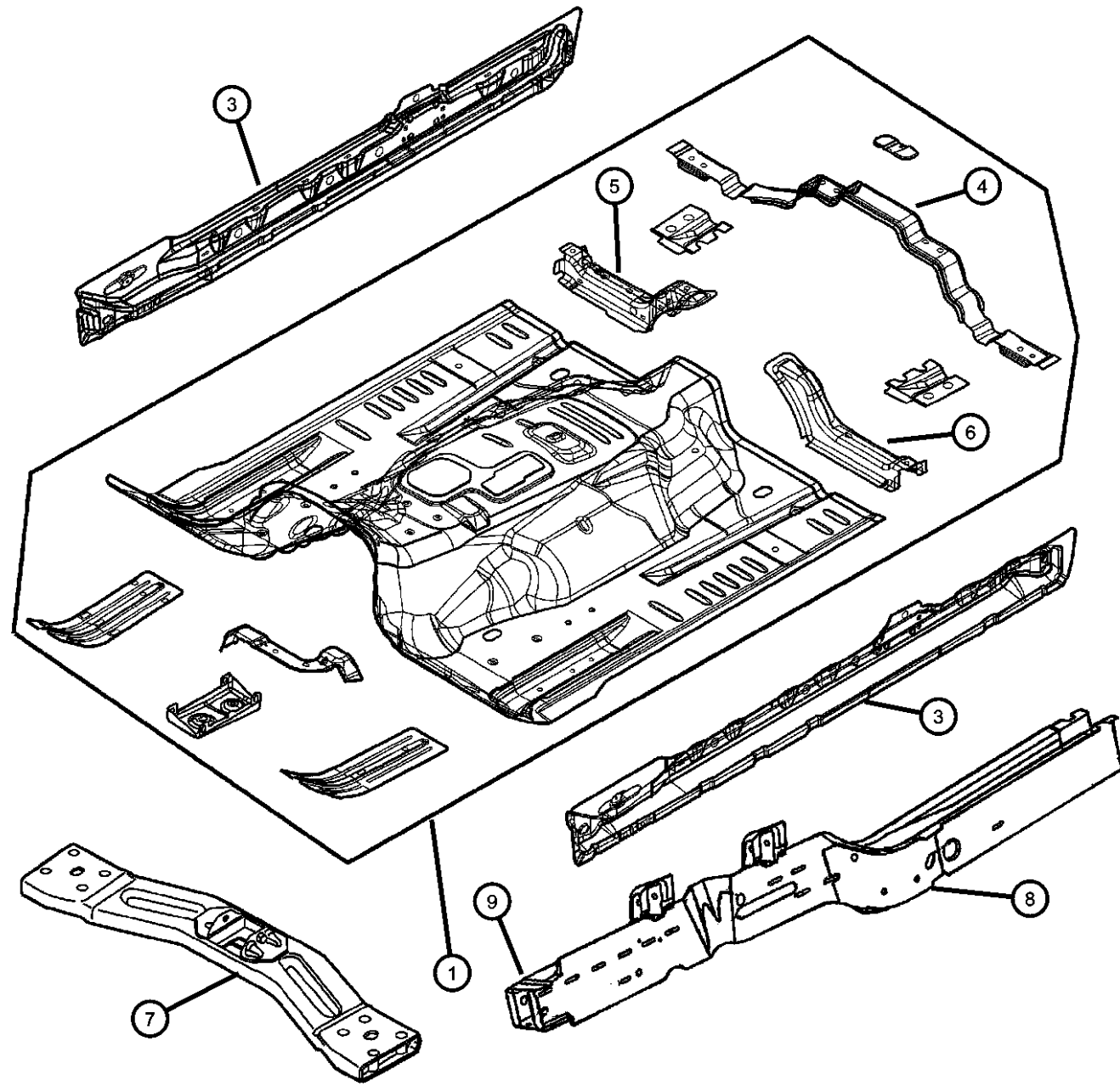
Liftgate Panel

Swing Gate, Latch, and Hinges.....	Fig. SKJ - 1310
------------------------------------	-----------------

Luggage Rack

Luggage Rack.....	Fig. SKJ - 1610
-------------------	-----------------

Front Floor Pan
Figure SKJ-210



ITEM	PART NUMBER	QTY	LINE	SERIES	BODY	ENGINE	TRANS	TRIM	DESCRIPTION
1	55360589AB	1							PAN, Floor
-2	06507033AA	4							STUD, Sled Attachment
3									SILL, Body Side
	55176878AD	1							Right
	55176879AD	1							Left
4	56052085AA	1							CROSSMEMBER, Front Seat Retention, Rear
5	56052086AA	2							CROSSMEMBER, Front Seat RetentionRight
6	56052087AA	2							CROSSMEMBER, Front Seat RetentionLeft
7									CROSSMEMBER, Transmission
	52128702AA	1							Diesel
	52128707AA	1							
8									PANEL, Sill
	05103422AA	1							Right
	05103423AA	1							Left
9	55360168AA	1	J, T, U		74				BRACKET, Frame Rail
-10	55176760AB	1	J, T, U		74				BRACKET, Frame Rail, Radiator to crossmember bracket

LIBERTY (KJ)

SERIES LINE
P = Limited J = LHD (4WD)
H = Sport U = RHD (4WD)
M = Renegade T = LHD (2WD)

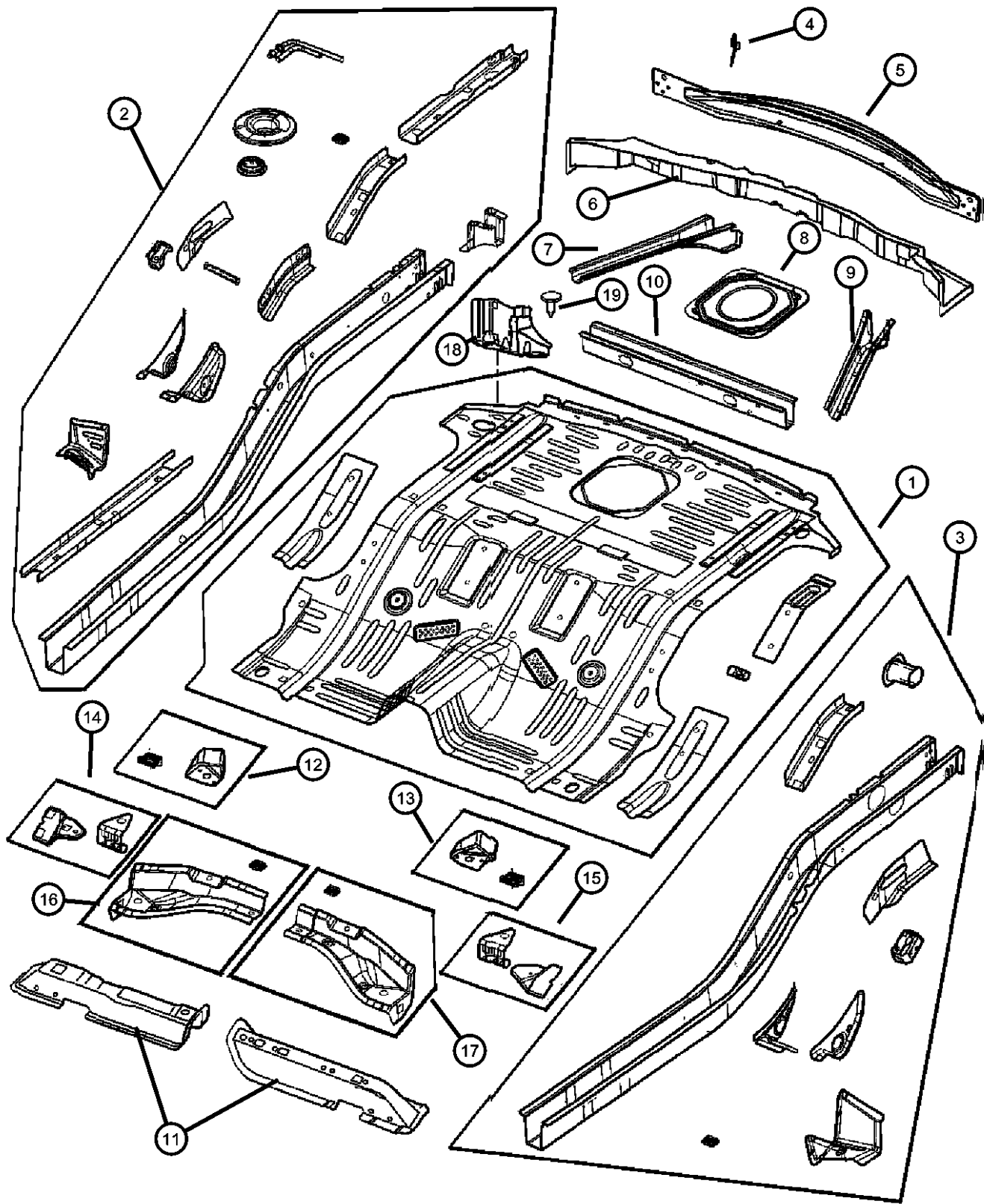
BODY
74 = 4 Door (104.3 WB)

ENGINE TRANSMISSION
ED1 = Engine - 2.4L 4 Cyl DOHC 16v SMPI
EKG = Engine - 3.7L V6
ENJ = Engine -2.5L 4 Cyl 16v Turbo Diesel
ENR = Engine - 2.8L 4 Cyl Turbo Diesel
ENO = 4Cyl Turbo Diesel
EKO = All 3.7L
EDO = All 2.4L
DDD = Transmission - 5-Speed HD Manual
DDK = Transmission - 5-Speed HD Manual
DG4 = Transmission-Multi-Speed Auto, 45RFE
DG6 = Transmission-4-Spd. Automatic, 42RLE
DGQ = Transmission-5-Spd Automatic 5-45RFE
DBB = All Manual Transmissions
DG0 = All Automatic Transmissions

AR = use ase required - = Non illustrated part

2004 KJ

Rear Floor Pan
Figure SKJ-220



ITEM	PART NUMBER	QTY	LINE	SERIES	BODY	ENGINE	TRANS	TRIM	DESCRIPTION
1	55360015AE	1							PAN, Floor
2	05080850AA	1							SILL, RearRight
3	05080851AB	1							SILL, RearLeft
4									BAFFLE, Air
	55360260AA	1							Right
	55360261AA	1							Left
5	55360371AA	1							REINFORCEMENT, Liftgate Opening
6	55176846AA	1							CROSSMEMBER, Floor Pan
7	56022913AB	1							SUPPORT, Fuel Tank
8	55360187AA	1							DOOR, Fuel Fill
9	56022914AB	1							SUPPORT, Fuel Tank
10	56022915AB	1							CROSSMEMBER, Floor Pan
11									CROSSMEMBER, Floor Pan
	55360062AA	1							Right
	55360063AA	1							Left
12	05073062AA	2							REINFORCEMENT, Rear SeatRight
13	05073063AA	1							REINFORCEMENT, Rear SeatLeft
14	05073060AA	1							BRACKET, Control ArmRight
15	05073061AA	2							BRACKET, Control ArmLeft
16	05073058AA	1							CROSSMEMBER, Rear FloorRight
17	05073059AA	1							CROSSMEMBER, Rear FloorLeft
18									GUSSET, Side Member
	55360368AC	1							Right
	55360369AD	1							Left
19	06507345AA	4							PIN, Push

LIBERTY (KJ)

SERIES LINE
P = Limited J = LHD (4WD)
H = Sport U = RHD (4WD)
M = Renegade T = LHD (2WD)

BODY
74 = 4 Door (104.3 WB)

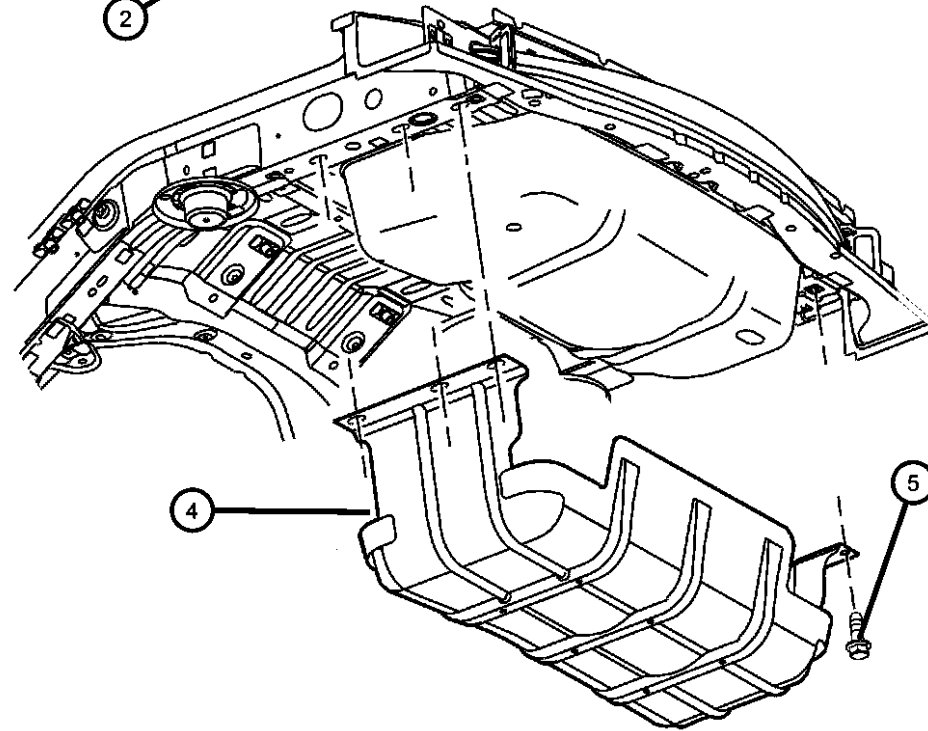
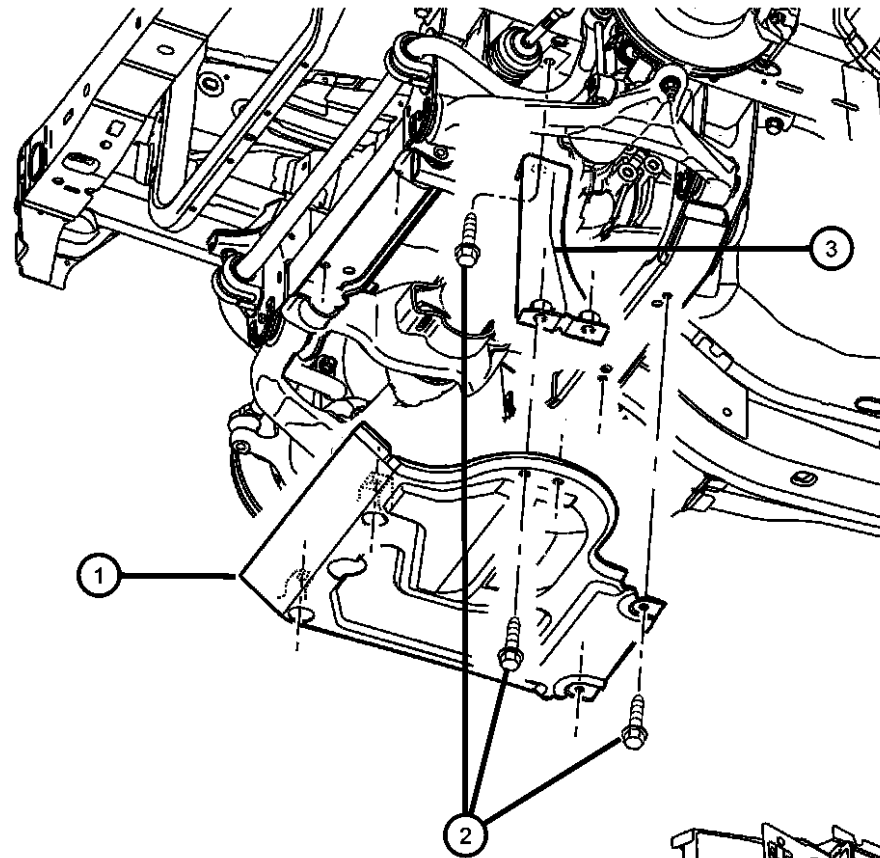
ENGINE
ED1 = Engine - 2.4L 4 Cyl DOHC 16v SMPI
EKG = Engine - 3.7L V6
ENJ = Engine -2.5L 4 Cyl 16V Turbo Diesel
ENR = Engine - 2.8L 4 Cyl Turbo Diesel
ENO = 4Cyl Turbo Diesel
EKO = All 3.7L
EDO = All 2.4L

TRANSMISSION
DDD = Transmission - 5-Speed HD Manual
DDK = Transmission - 5-Speed HD Manual
DG4 = Transmission-Multi-Speed Auto, 45RFE
DG6 = Transmission-4-Spd. Automatic, 42RLE
DGQ = Transmission-5-Spd Automatic 5-45RFE
DBB = All Manual Transmissions
DG0 = All Automatic Transmissions

AR = use ase required - = Non illustrated part

2004 KJ

Plates, Underbody Skid
Figure SKJ-230



ITEM	PART NUMBER	QTY	LINE	SERIES	BODY	ENGINE	TRANS	TRIM	DESCRIPTION
1	52128539AC	1	J, U						SKID PLATE, Front
2	52128539AC	1							SCREW, M10x1.5x30, (NOT SERVICED)
3									BRACKET, Skid Plate
	52128544AA	1	J, U						Right
	52128545AA	1	J, U						Left
4	52100332AF	1							PLATE, Skid
5	06502557	6							BOLT, Hex Flange Head, M12x1.75x40

LIBERTY (KJ)

SERIES

P = Limited
H = Sport
M = Renegade

LINE

J = LHD (4WD)
U = RHD (4WD)
T = LHD (2WD)

BODY

74 = 4 Door (104.3 WB)

ENGINE

ED1 = Engine - 2.4L 4 Cyl
DOHC 16v SMPI
EKG = Engine - 3.7L V6
ENJ = Engine -2.5L 4 Cyl 16V
Turbo Diesel
ENR = Engine - 2.8L 4 Cyl
Turbo Diesel
ENO = 4Cyl Turbo Diesel
EKO = All 3.7L
EDO = All 2.4L

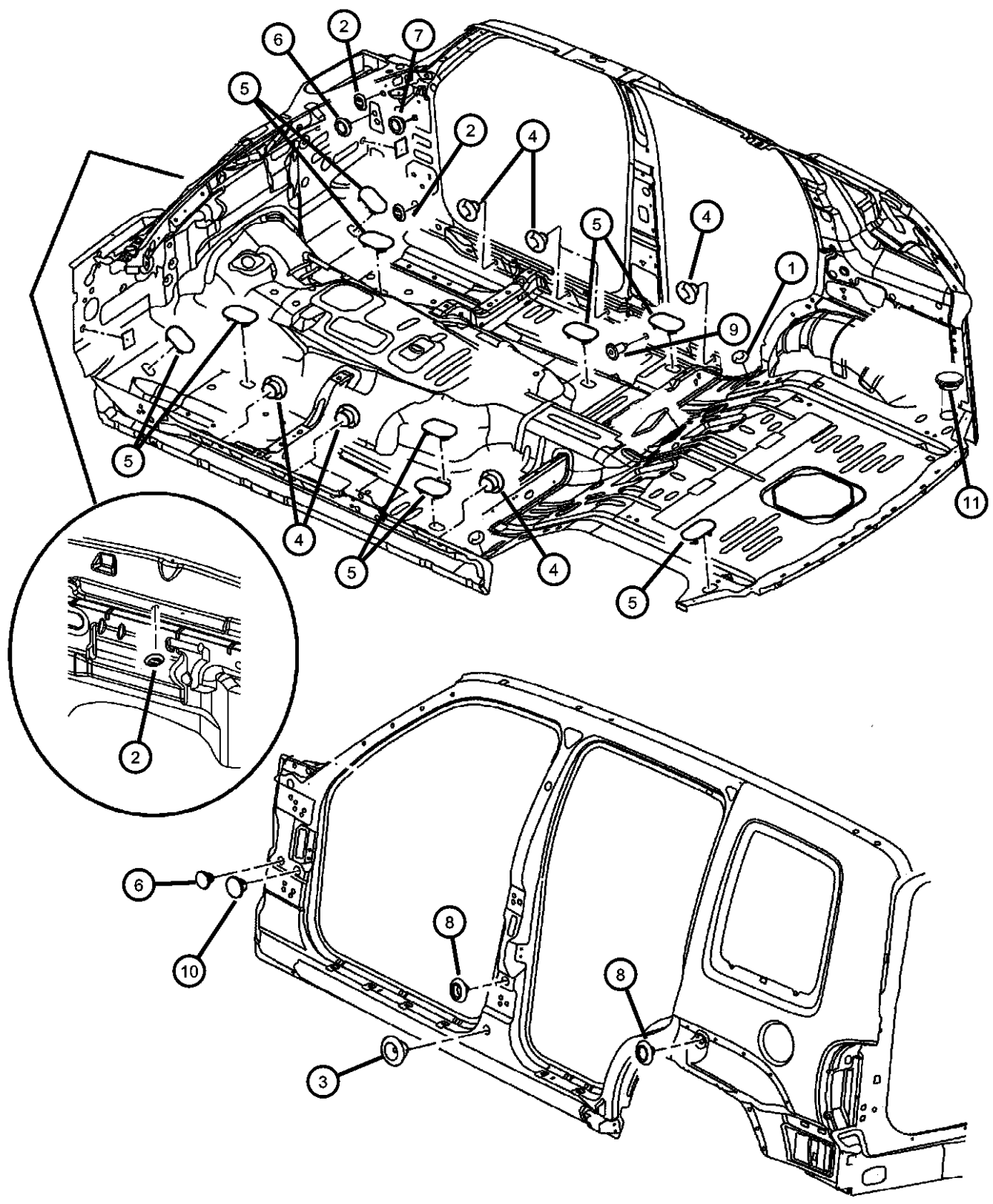
TRANSMISSION

DDD = Transmission - 5-Speed HD
Manual
DDK = Transmission - 5-Speed HD
Manual
DG4 = Transmission-Multi-Speed
Auto, 45RFE
DG6 = Transmission-4-Spd.
Automatic, 42RLE
DGQ = Transmission-5-Spd Automatic
5-45RFE
DBB = All Manual Transmissions
DG0 = All Automatic Transmissions

AR = use ase required - = Non illustrated part

2004 KJ

Plugs
Figure SKJ-310



ITEM	PART NUMBER	QTY	LINE	SERIES	BODY	ENGINE	TRANS	TRIM	DESCRIPTION
1	04780615AB	2							PLUG, Body, .75 DiameterRear Floor Pan
2	04716933	2							PLUG, Body Side Aperture
3	04780194	2							PLUG, Body Side Outer
4	04780615AB	8							PLUG, Body, .75 Diameter
5	04646971	4							PLUG, Floor Pan
6	55136859AA	2							PLUG, Plastic, Expandable
7	04780615AB	2							PLUG, Body, .75 Diameter
8	55176729AA	4							PLUG
9	35026594	2							PLUG, Floor Pan, .187 Rubber
10	35026594	2							PLUG, Plastic Expandable, 25mm, (NOT SERVICED)
11	56010048AB	1							PLUG

LIBERTY (KJ)

SERIES LINE
P = Limited J = LHD (4WD)
H = Sport U = RHD (4WD)
M = Renegade T = LHD (2WD)

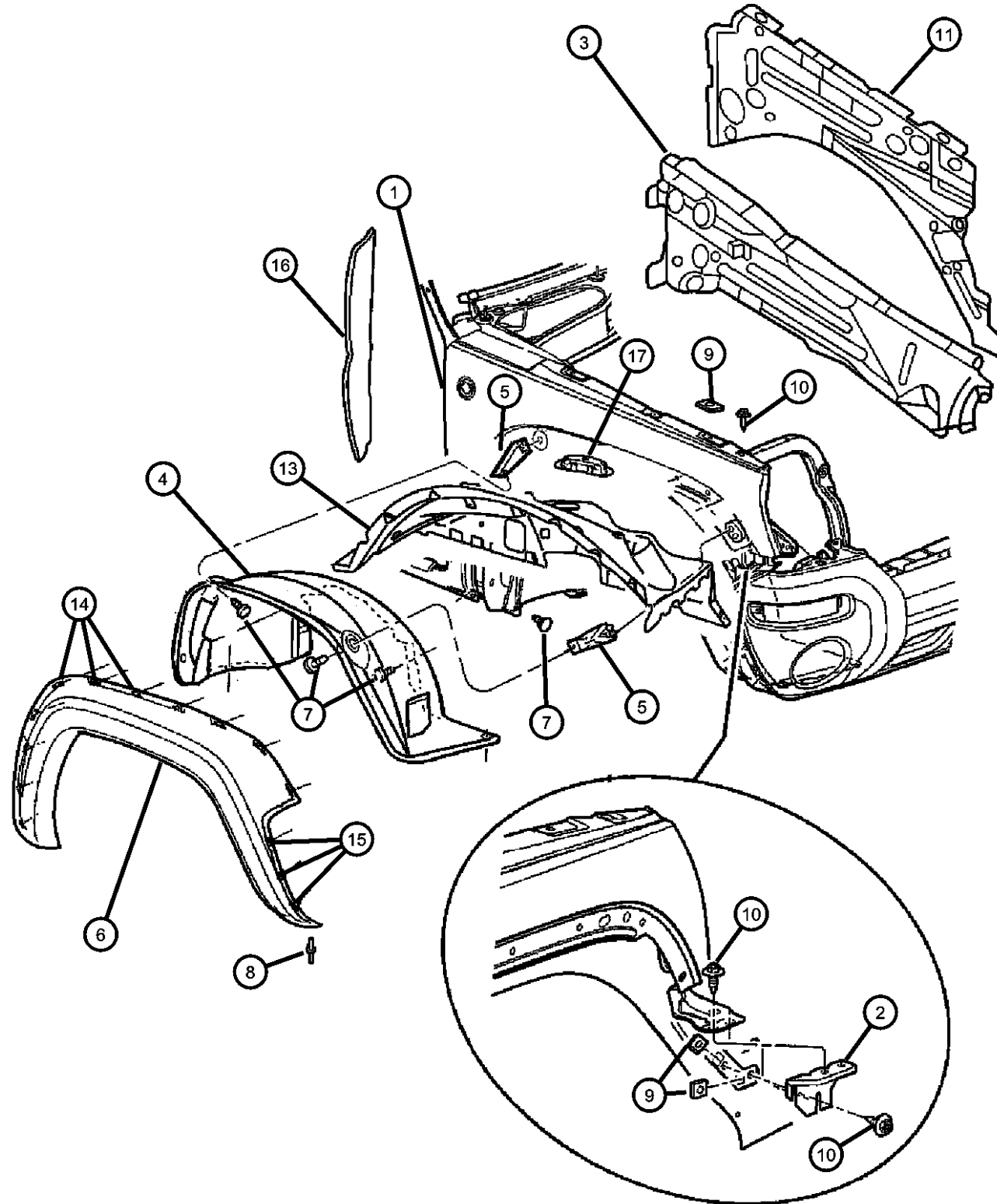
BODY
74 = 4 Door (104.3 WB)

ENGINE
ED1 = Engine - 2.4L 4 Cyl DOHC 16v SMPI
EKG = Engine - 3.7L V6
ENJ = Engine -2.5L 4 Cyl 16V Turbo Diesel
ENR = Engine - 2.8L 4 Cyl Turbo Diesel
ENO = 4Cyl Turbo Diesel
EKO = All 3.7L
EDO = All 2.4L

TRANSMISSION
DDD = Transmission - 5-Speed HD Manual
DDK = Transmission - 5-Speed HD Manual
DG4 = Transmission-Multi-Speed Auto, 45RFE
DG6 = Transmission-4-Spd. Automatic, 42RLE
DGQ = Transmission-5-Spd Automatic 5-45RFE
DBB = All Manual Transmissions
DG0 = All Automatic Transmissions

AR = use ase required - = Non illustrated part

Front Fender
Figure SKJ-410



ITEM	PART NUMBER	QTY	LINE	SERIES	BODY	ENGINE	TRANS	TRIM	DESCRIPTION
1	55177100AD	1							FENDER, Front Right
	55177101AD	1							Left
2	55360236AB	1							BRACKET, Fender Right
	55360237AB	1							Left
3	55177414AE	1							REINFORCEMENT, Fender Right
	55177415AE	1							Left
4	55360144AG	1							LINER, Front Fender Right
	55360145AG	1							Left
5	55155988AB	2							BRACKET, Fender AppliqueFront
6									APPLIQUE, Fender Wheel Opening
	5GG96HS5AG	1							[K3A], Sport, Right
	5GG97HS5AG	1							[K3A], Sport, Left
	5GH00TZZAG	1							[K5], Paint as Required, Limited, Right
	5GH01TZZAG	1							[K5], Paint as Required, Limited, Left
	5HV45AF-MAD	1							[K4C], Left
	5HV45AJCAD	1							[K4K], Left
	5HV45DX8AD	1							[K4X], Left
	5HV45WS2AD	1							[K4S], Left
	5HV46AF-MAD	1							[K4C], Right
	5HV46AJCAD	1							[K4K], Right
	5HV46DX8AD	1							[K4X], Right
	5HV46WS2AD	1							[K4S], Right
7	06036155AA	3							PIN, Push
8	06506007AA	8							RIVET

LIBERTY (KJ)

SERIES LINE
P = Limited J = LHD (4WD)
H = Sport U = RHD (4WD)
M = Renegade T = LHD (2WD)

BODY
74 = 4 Door (104.3 WB)

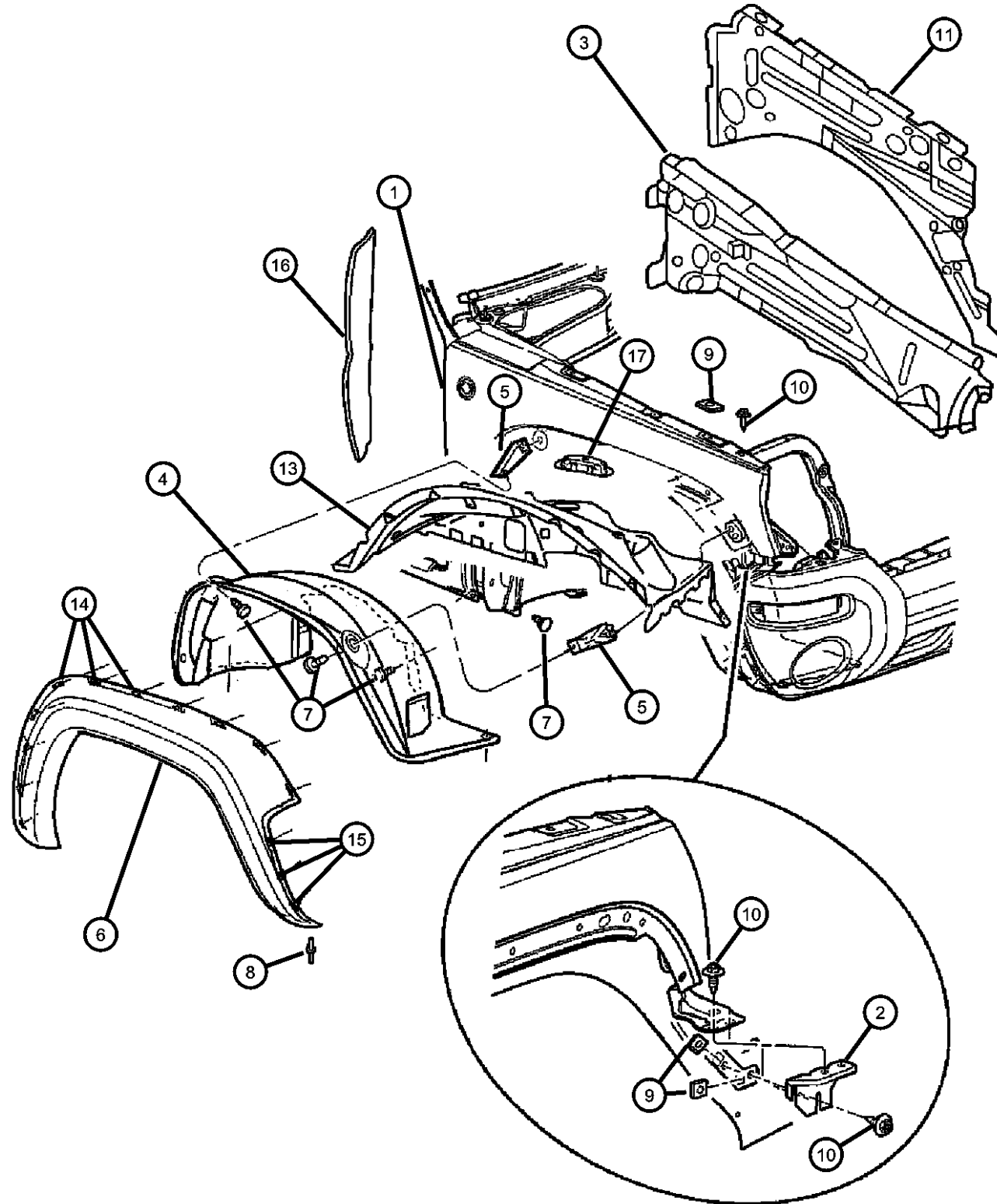
ENGINE
ED1 = Engine - 2.4L 4 Cyl DOHC 16v SMPI
EKG = Engine - 3.7L V6
ENJ = Engine -2.5L 4 Cyl 16v Turbo Diesel
ENR = Engine - 2.8L 4 Cyl Turbo Diesel
ENO = 4Cyl Turbo Diesel
EK0 = All 3.7L
ED0 = All 2.4L

TRANSMISSION
DDD = Transmission - 5-Speed HD Manual
DDK = Transmission - 5-Speed HD Manual
DG4 = Transmission-Multi-Speed Auto, 45RFE
DG6 = Transmission-4-Spd. Automatic, 42RLE
DGQ = Transmission-5-Spd Automatic 5-45RFE
DBB = All Manual Transmissions
DG0 = All Automatic Transmissions

AR = use ase required - = Non illustrated part

2004 KJ

Front Fender
Figure SKJ-410



ITEM	PART NUMBER	QTY	LINE	SERIES	BODY	ENGINE	TRANS	TRIM	DESCRIPTION
9	06504118	6							U-NUT, M6 x 1.00, M6x1.00
10	06505903AA	2							SCREW AND WASHER, Self Tapping, M6x1x22
11									PANEL, Fender, Inner
	55177016AD	1							Right
	55177017AD	1							Left
-12									BRACKET, Ballstud, Gas Prop Mounting
	55360428AB	1							Right
	55360429AB	1							Left
13									WHEELHOUSE, Front Inner
	55176858AJ	1							Right
	55176859AK	1							Left
14	55156447AB	11							PIN, Push
15	55156429AA	3							RETAINER, Applique
16	55235932AC	2							SEAL, Fender To Cowl
17	55360201AC	1							CUP, Jounce Bumper

LIBERTY (KJ)

SERIES

P = Limited
H = Sport
M = Renegade

LINE

J = LHD (4WD)
U = RHD (4WD)
T = LHD (2WD)

BODY

74 = 4 Door (104.3 WB)

ENGINE

ED1 = Engine - 2.4L 4 Cyl
DOHC 16v SMPI
EKG = Engine - 3.7L V6
ENJ = Engine -2.5L 4 Cyl 16V
Turbo Diesel
ENR = Engine - 2.8L 4 Cyl
Turbo Diesel
ENO = 4Cyl Turbo Diesel
EKO = All 3.7L
EDO = All 2.4L

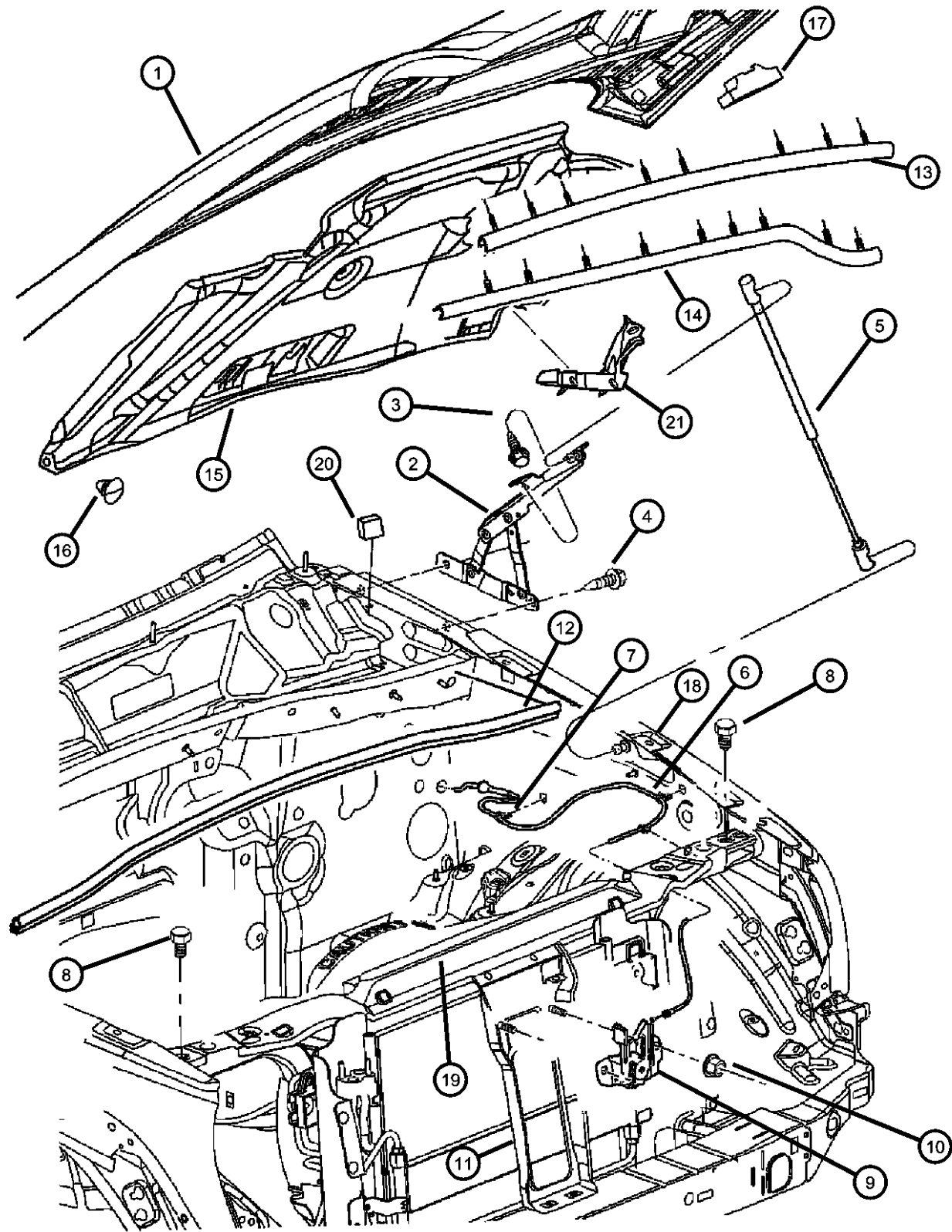
TRANSMISSION

DDD = Transmission - 5-Speed HD
Manual
DDK = Transmission - 5-Speed HD
Manual
DG4 = Transmission-Multi-Speed
Auto, 45RFE
DG6 = Transmission-4-Spd.
Automatic, 42RLE
DGQ = Transmission-5-Spd Automatic
5-45RFE
DBB = All Manual Transmissions
DG0 = All Automatic Transmissions

AR = use ase required - = Non illustrated part

2004 KJ

Hood, Latch and Hinges
Figure SKJ-510



ITEM	PART NUMBER	QTY	LINE	SERIES	BODY	ENGINE	TRANS	TRIM	DESCRIPTION
1	55177200AD	1							HOOD
2									HINGE, Hood
	55176928AA	1							Right
	55176929AA	1							Left
3	55176929AA	1							SCREW AND WASHER, Hex Head, M6X1.00X19.00, (NOT SERVICED)
4	06505940AA	4							SCREW, M8-1.25
5	55360411AA	2							PROP, Hood
6	55360280AD	1							CABLE, Hood Release
7	04814094	3							CLIP, Hood Latch Release
8	04696592	2							BUMPER, Hood
9	55176926AB	1							LATCH, Hood
10	06503102	2							NUT AND WASHER, Hex Nut-Coned Washer, M6 x 1.00
11	55360229AB	1							REINFORCEMENT, Hood Latch, Used with 55176763AE, If replacing 55176763AF see specifier narrative
12	55235927AC	1							SEAL, Hood To Cowl
13	55360066AD	1							SEAL, Hood To Radiator
14	55360341AC	1							SEAL, Hood
15	55352746AF	1							INSULATION, Hood
16	06504135	8							PIN, Push In, M6.3x15 LG
17	55360258AB	2							SEAL, Hood To Plenum
18									BRACKET, Ballstud
	55360428AB	1							Right
	55360429AB	1							Left
19	55176763AE	1							CROSSMEMBER, Radiator
20									SEAL, A-Pillar Blocker
	55360542AD	1							Right
	55360543AD	1							Left
21	55360551AC	1							SEAL, Air Inlet

LIBERTY (KJ)

SERIES LINE
P = Limited J = LHD (4WD)
H = Sport U = RHD (4WD)
M = Renegade T = LHD (2WD)

BODY
74 = 4 Door (104.3 WB)

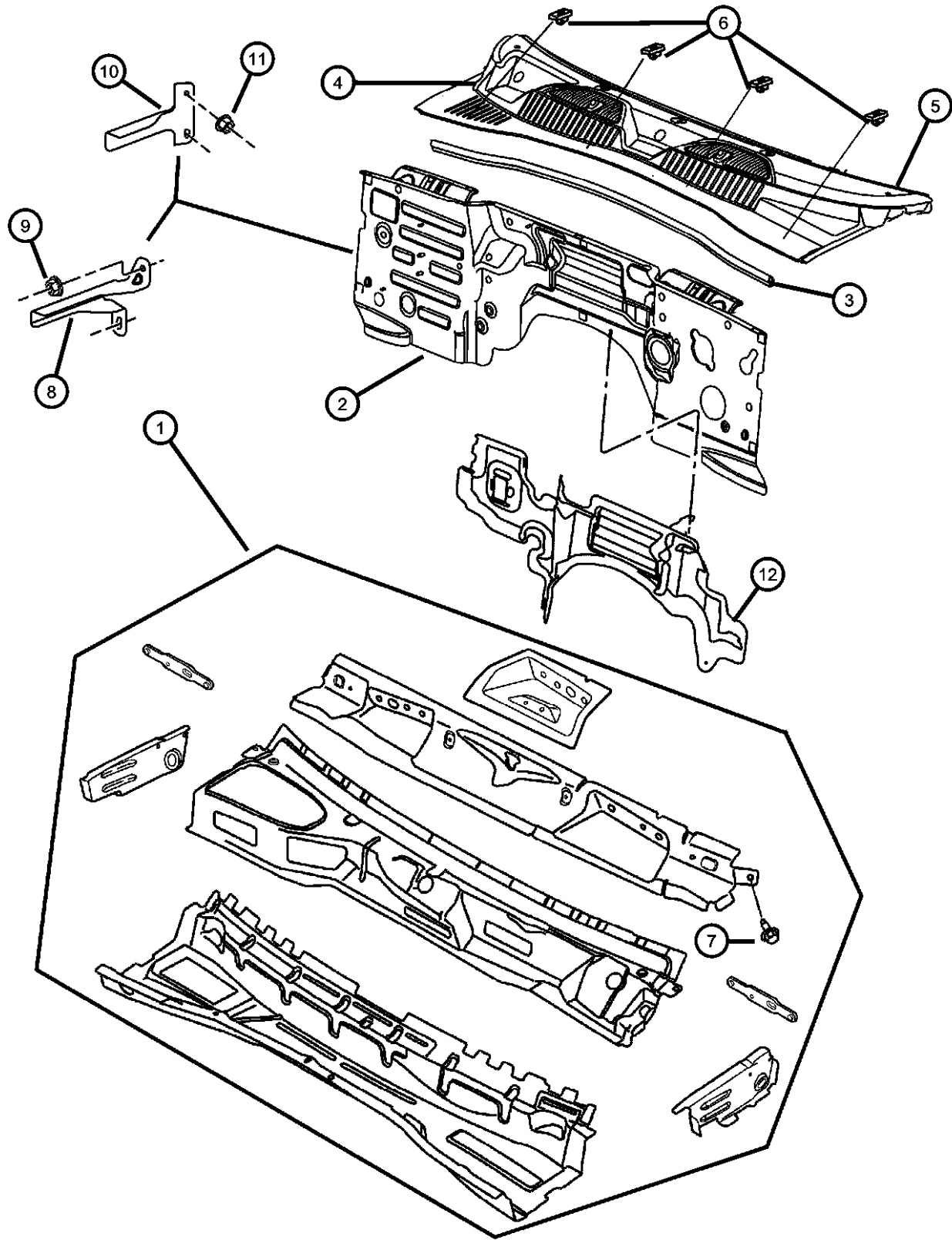
ENGINE
ED1 = Engine - 2.4L 4 Cyl DOHC 16v SMPI
EKG = Engine - 3.7L V6
ENJ = Engine -2.5L 4 Cyl 16v Turbo Diesel
ENR = Engine - 2.8L 4 Cyl Turbo Diesel
ENO = 4Cyl Turbo Diesel
EKO = All 3.7L
EDO = All 2.4L

TRANSMISSION
DDD = Transmission - 5-Speed HD Manual
DDK = Transmission - 5-Speed HD Manual
DG4 = Transmission-Multi-Speed Auto, 45RFE
DG6 = Transmission-4-Spd. Automatic, 42RLE
DGQ = Transmission-5-Spd Automatic 5-45RFE
DBB = All Manual Transmissions
DG0 = All Automatic Transmissions

AR = use ase required - = Non illustrated part

2004 KJ

**Cowl and Dash Panel
Figure SKJ-610**



ITEM	PART NUMBER	QTY	LINE	SERIES	BODY	ENGINE	TRANS	TRIM	DESCRIPTION
1	55176767AD	1	J, T						PANEL, Plenum Complete
	55176776AD	1	U						
2	55177300AB	1	J, T						PANEL, Dash
	55177350AB	1	U						
3	55235927AC	1							SEAL, Hood To Cowl
4									COVER, Cowl Grille
	55155850AH	1	U						
	55155851AI	1	J, T						
5	05071165AA	1	J, T						SEAL, Cowl Screen To Windshield
6	06501925	4							PIN, Splash Shield
7	06503328	4							SCREW, Hex Head, M8x1.25x30
8	55360203AA	1	U						BRACKET, Coolant Recovery Bottle, RHD
9	06101467	2	U						NUT, Hex Flange, M8x1.25, RHD
10	55360202AA	1	J, T						BRACKET, Coolant Recovery Bottle
11	06104725AA	2	J, T						NUT AND WASHER, M6x1
12									INSULATION, Dash Panel
	55352720AF	1	U						
	55352847AD	1	J, T						

LIBERTY (KJ)

SERIES

P = Limited
H = Sport
M = Renegade

LINE

J = LHD (4WD)
U = RHD (4WD)
T = LHD (2WD)

BODY

74 = 4 Door (104.3 WB)

ENGINE

ED1 = Engine - 2.4L 4 Cyl
DOHC 16v SMPI
EKG = Engine - 3.7L V6
ENJ = Engine -2.5L 4 Cyl 16V
Turbo Diesel
ENR = Engine - 2.8L 4 Cyl
Turbo Diesel
ENO = 4Cyl Turbo Diesel
EKO = All 3.7L
EDO = All 2.4L

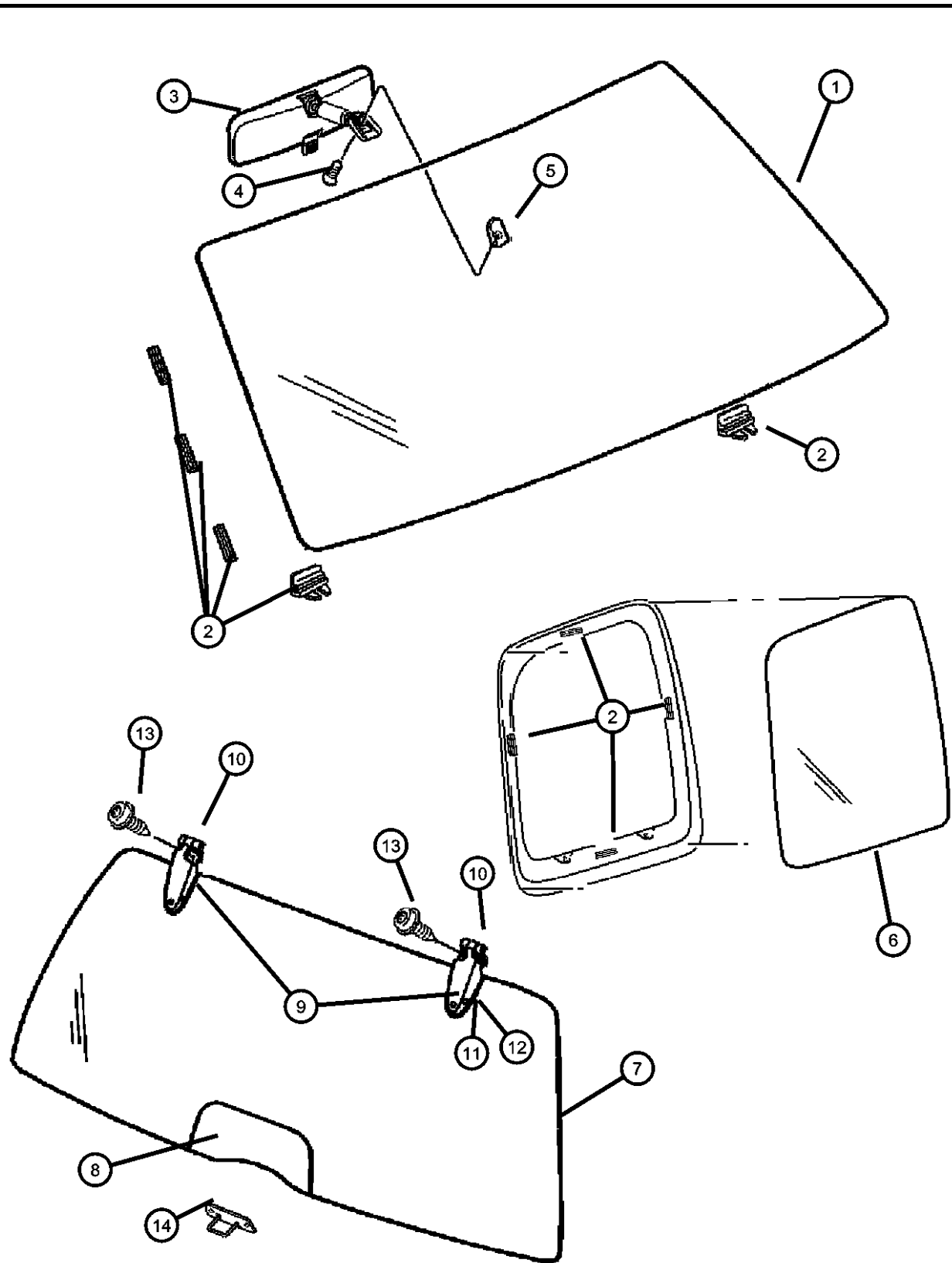
TRANSMISSION

DDD = Transmission - 5-Speed HD
Manual
DDK = Transmission - 5-Speed HD
Manual
DG4 = Transmission-Multi-Speed
Auto, 45RFE
DG6 = Transmission-4-Spd.
Automatic, 42RLE
DGQ = Transmission-5-Spd Automatic
5-45RFE
DBB = All Manual Transmissions
DG0 = All Automatic Transmissions

AR = use ase required - = Non illustrated part

2004 KJ

Windshield, Quarter Window, Backlite and Mirror
Figure SKJ-710



ITEM	PART NUMBER	QTY	LINE	SERIES	BODY	ENGINE	TRANS	TRIM	DESCRIPTION
1	05093459AD DW01511GTN	1							WINDSHIELD, 30-Lite Collision Replacement Glass
2	55360509AA	4							SPACER, Windshield
3									MIRROR, Inside Rear View
	04805332AB	1							Prismatic Mirror
	55155380AB	1							Electrochromic Mirror
4	05073472AA	1							SCREW
5	55076401	1							BUTTON, Rear View Mirror
6									GLASS, Quarter
	55235920AC	1							Tinted, Right
	55235921AC	1							Tinted, Left
	55235922AC	1							Privacy, Right
	55235923AC	1							Privacy, Left
	55360054AC	1							Tinted, With Antenna, Export, Right
	55360056AC	1							Privacy, With Antenna, Export, Right
7									BACKLITE
	55360340AP	1							Tinted
	55360342AP	1							Privacy
8	55360709AA	1							PAD, Flipper Glass
9									COVER, Hinge
	55360366AE	1							Right
	55360367AE	1							Left
10									HINGE, Liftglass
	55360216AD	1							Right
	55360217AD	1							Left
11	55296025	2							SCREW, Special Head, M6x1x12.7
12	55075164	4							GASKET, Liftgate Hinge
13	06507883AA	4							SCREW, M5x.8x22.50
14	55360220AB	1							STRIKER, Liftgate Glass

LIBERTY (KJ)

SERIES LINE
P = Limited J = LHD (4WD)
H = Sport U = RHD (4WD)
M = Renegade T = LHD (2WD)

BODY
74 = 4 Door (104.3 WB)

ENGINE
ED1 = Engine - 2.4L 4 Cyl
DOHC 16v SMPI
EKG = Engine - 3.7L V6
ENJ = Engine -2.5L 4 Cyl 16V
Turbo Diesel
ENR = Engine - 2.8L 4 Cyl
Turbo Diesel
ENO = 4Cyl Turbo Diesel
EKO = All 3.7L
EDO = All 2.4L

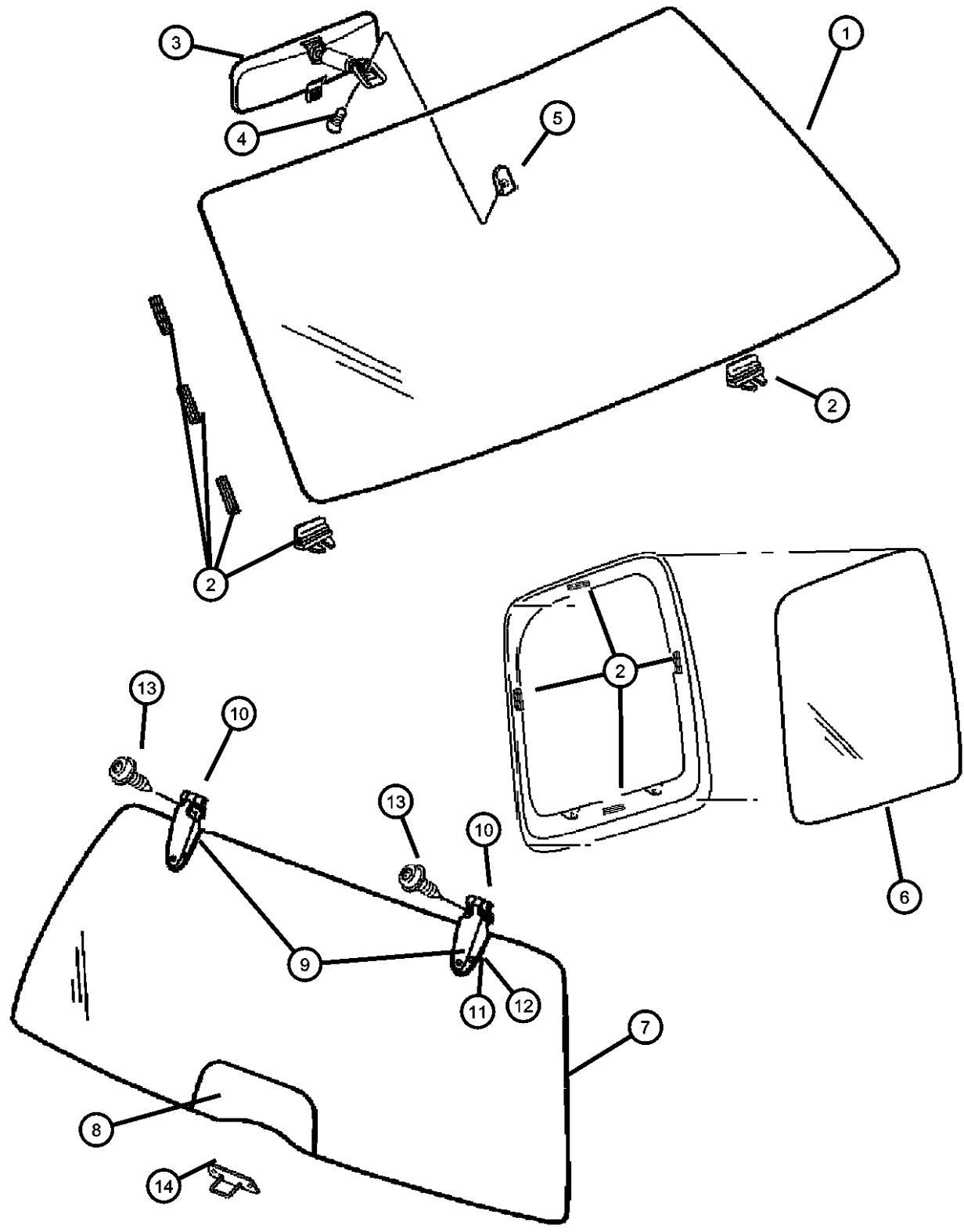
TRANSMISSION
DDD = Transmission - 5-Speed HD
Manual
DDK = Transmission - 5-Speed HD
Manual
DG4 = Transmission-Multi-Speed
Auto, 45RFE
DG6 = Transmission-4-Spd.
Automatic, 42RLE
DGQ = Transmission-5-Spd Automatic
5-45RFE
DBB = All Manual Transmissions
DG0 = All Automatic Transmissions

AR = use ase required - = Non illustrated part

2004 KJ

**Windshield, Quarter Window, Backlite and Mirror
Figure SKJ-710**

ITEM	PART NUMBER	QTY	LINE	SERIES	BODY	ENGINE	TRANS	TRIM	DESCRIPTION
------	-------------	-----	------	--------	------	--------	-------	------	-------------

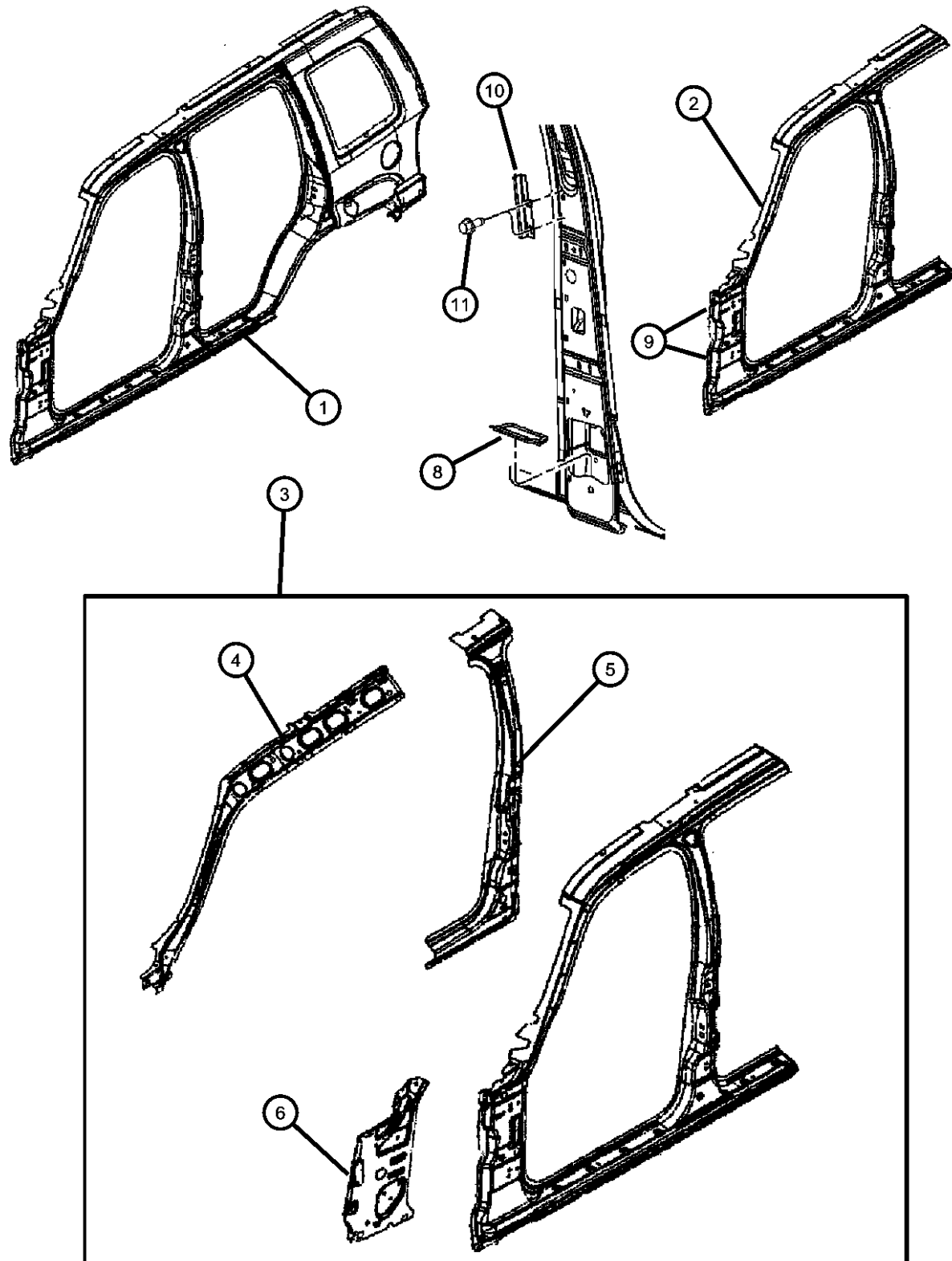


-15	06504513	2							NUT AND WASHER, Hex Nut-Coned Washer, M6 x 1.00
-16									LABEL, Flipper Glass
	55360573AA	1							Use With Tinted Glass, French
	55360582AA	1							Use With Privacy Glass, French
	55360583AA	1							Use With Privacy Glass, Arabic
-17	55360561AA	1							TAPE, Anti-Squeak

LIBERTY (KJ)				
SERIES	LINE	BODY	ENGINE	TRANSMISSION
P = Limited	J = LHD (4WD)	74 = 4 Door (104.3 WB)	ED1 = Engine - 2.4L 4 Cyl DOHC 16v SMPI	DDD = Transmission - 5-Speed HD Manual
H = Sport	U = RHD (4WD)		EKG = Engine - 3.7L V6	DDK = Transmission - 5-Speed HD Manual
M = Renegade	T = LHD (2WD)		ENJ = Engine -2.5L 4 Cyl 16V Turbo Diesel	DG4 = Transmission-Multi-Speed Auto, 45RFE
			ENR = Engine - 2.8L 4 Cyl Turbo Diesel	DG6 = Transmission-4-Spd. Automatic, 42RLE
			ENO = 4Cyl Turbo Diesel	DGQ = Transmission-5-Spd Automatic 5-45RFE
			EK0 = All 3.7L	DBB = All Manual Transmissions
			ED0 = All 2.4L	DG0 = All Automatic Transmissions

AR = use ase required - = Non illustrated part

Panels, Body Side
Figure SKJ-810



ITEM	PART NUMBER	QTY	LINE	SERIES	BODY	ENGINE	TRANS	TRIM	DESCRIPTION
1									APERTURE, Body Side, Complete Outer
	55176962AD	1							Right
	55176963AD	1							Left
2									PANEL PACKAGE, Body Side Aperture Front, Front Outer Only
	05072890AB	1							Right
	05072891AB	1							Left
3									PANEL PACKAGE, Body Side Aperture Front, Complete Inner and Outer Front
	05072888AC	1							Right
	05072889AC	1							Left
4									REINFORCEMENT, Front Pillar, Includes Roof Header Support
	55176960AH	1							Right
	55176961AH	1							Left
5									REINFORCEMENT, Center Pillar Inner
	55176966AF	1							Right
	55176967AF	1							Left
6									PANEL, Cowl
	55177400AD	1							Right
	55177401AD	1							Left
-7	06506797AA	4							STUD
8									BAFFLE, B Pillar
	55360196AD	1							Right
	55360197AD	1							Left
9	55360233AC	4							TAPPING PLATE, Door Hinge
10									BRACKET, Offset Impact
	55352862AA	1							Right
	55352863AA	1							Left
11	06101945	4							SCREW

LIBERTY (KJ)

SERIES LINE
P = Limited J = LHD (4WD)
H = Sport U = RHD (4WD)
M = Renegade T = LHD (2WD)

BODY
74 = 4 Door (104.3 WB)

ENGINE
ED1 = Engine - 2.4L 4 Cyl DOHC 16v SMPI
EKG = Engine - 3.7L V6
ENJ = Engine -2.5L 4 Cyl 16v Turbo Diesel
ENR = Engine - 2.8L 4 Cyl Turbo Diesel
ENO = 4Cyl Turbo Diesel
EKO = All 3.7L
EDO = All 2.4L

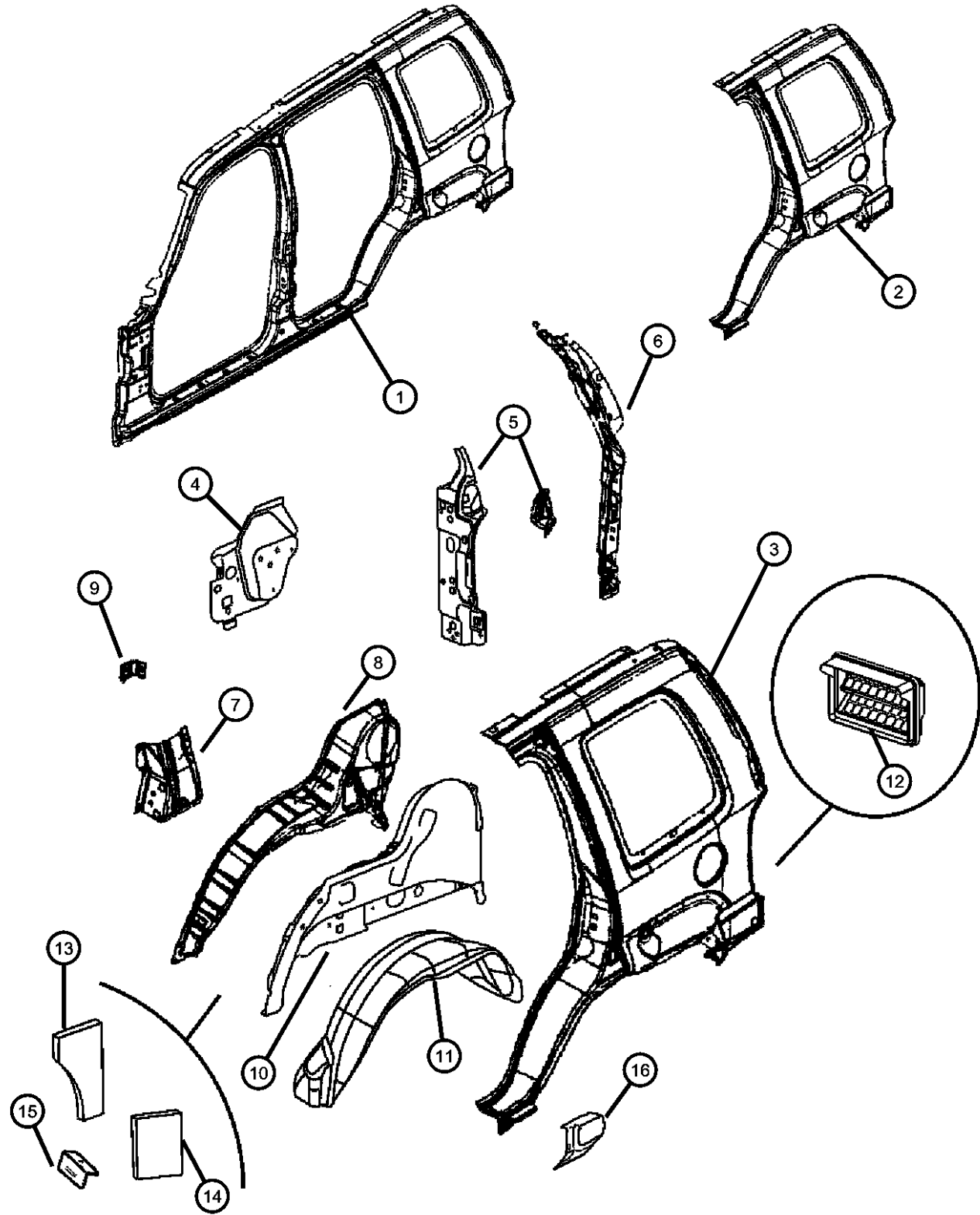
TRANSMISSION
DDD = Transmission - 5-Speed HD Manual
DDK = Transmission - 5-Speed HD Manual
DG4 = Transmission-Multi-Speed Auto, 45RFE
DG6 = Transmission-4-Spd. Automatic, 42RLE
DGQ = Transmission-5-Spd Automatic 5-45RFE
DBB = All Manual Transmissions
DG0 = All Automatic Transmissions

AR = use ase required - = Non illustrated part

2004 KJ

Panels, Rear Quarter
Figure SKJ-910

ITEM	PART NUMBER	QTY	LINE	SERIES	BODY	ENGINE	TRANS	TRIM	DESCRIPTION
	55360146AD	1							Right
	55360147AD	1							Left
12	55037458AB	2							EXHAUSTER, Quarter Panel
13	55352854AA	1							INSULATION, Side PanelRight Side, Upper
14	55352846AA	1							INSULATION, Side PanelRight Side, Lower
15	55136998AC	1							BRACKET, Wheel House
16									BRACKET, Sill
	55360444AB	1							Right
	55360445AB	1							Left



LIBERTY (KJ)

SERIES

P = Limited
H = Sport
M = Renegade

LINE

J = LHD (4WD)
U = RHD (4WD)
T = LHD (2WD)

BODY

74 = 4 Door (104.3 WB)

ENGINE

ED1 = Engine - 2.4L 4 Cyl
DOHC 16v SMPI
EKG = Engine - 3.7L V6
ENJ = Engine -2.5L 4 Cyl 16V
Turbo Diesel
ENR = Engine - 2.8L 4 Cyl
Turbo Diesel
EN0 = 4Cyl Turbo Diesel
EKO = All 3.7L
EDO = All 2.4L

TRANSMISSION

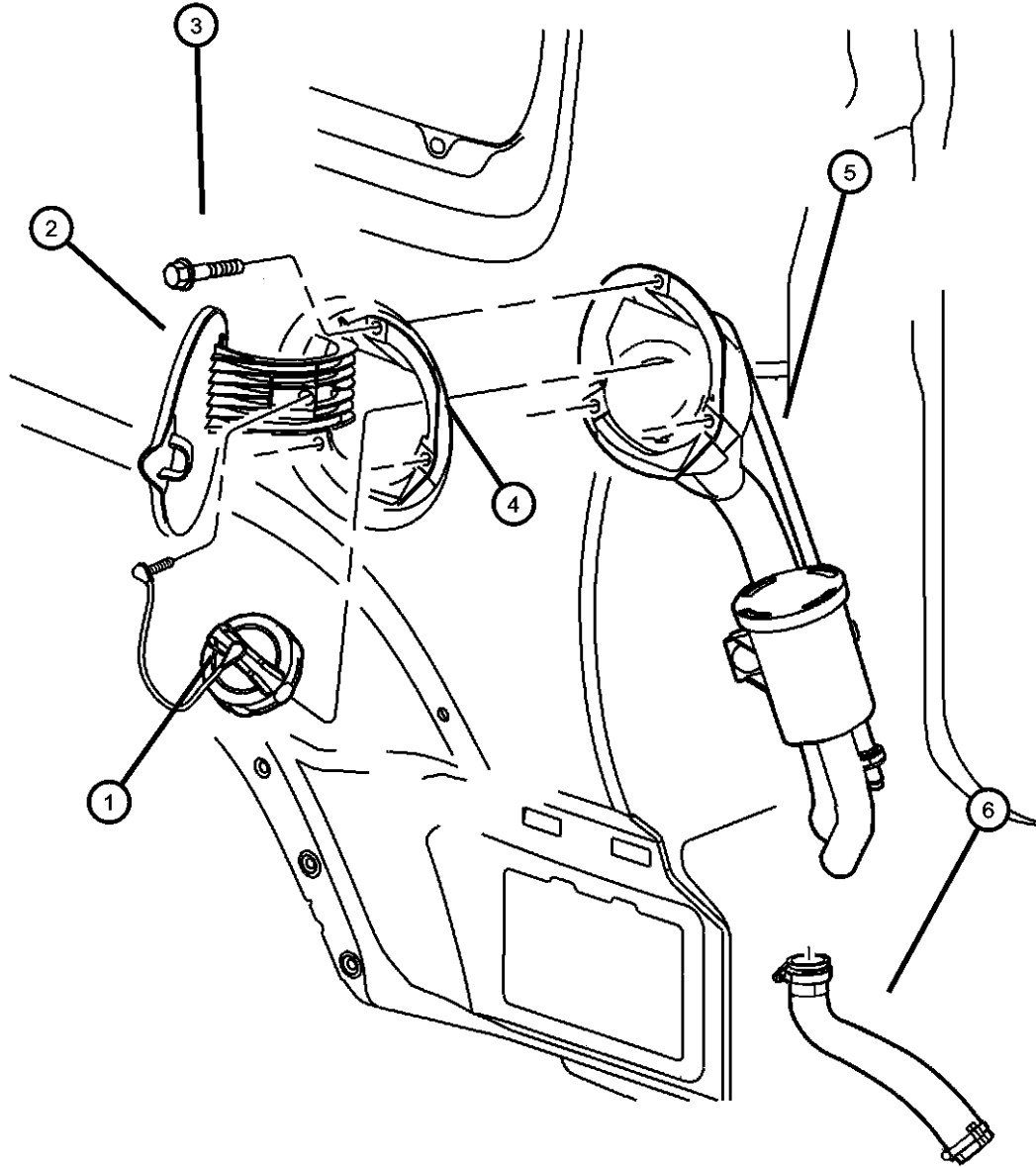
DDD = Transmission - 5-Speed HD
Manual
DDK = Transmission - 5-Speed HD
Manual
DG4 = Transmission-Multi-Speed
Auto, 45RFE
DG6 = Transmission-4-Spd.
Automatic, 42RLE
DGQ = Transmission-5-Spd Automatic
5-45RFE
DBB = All Manual Transmissions
DG0 = All Automatic Transmissions

AR = use ase required - = Non illustrated part

2004 KJ

**Fuel Filler Housing and Door
Figure SKJ-920**

ITEM	PART NUMBER	QTY	LINE	SERIES	BODY	ENGINE	TRANS	TRIM	DESCRIPTION
1	05015636AB	1							CAP KIT, Fuel Tank Locking
2	04674991AG	1							DOOR, Fuel Filler Manual Access
3	06035204	3							SCREW, Tapping, .19-16x.75
4	04716571AD	1							HOUSING, Fuel Filler
5									TUBE, Fuel Filler
	52128640AB	1							Diesel
	52128641AB	1							Diesel
6	52128753AA	1							HOSE, Fuel Filler
-7	04716532	1							SPRING, Fuel Filler Door



LIBERTY (KJ)

SERIES LINE
P = Limited J = LHD (4WD)
H = Sport U = RHD (4WD)
M = Renegade T = LHD (2WD)

BODY
74 = 4 Door (104.3 WB)

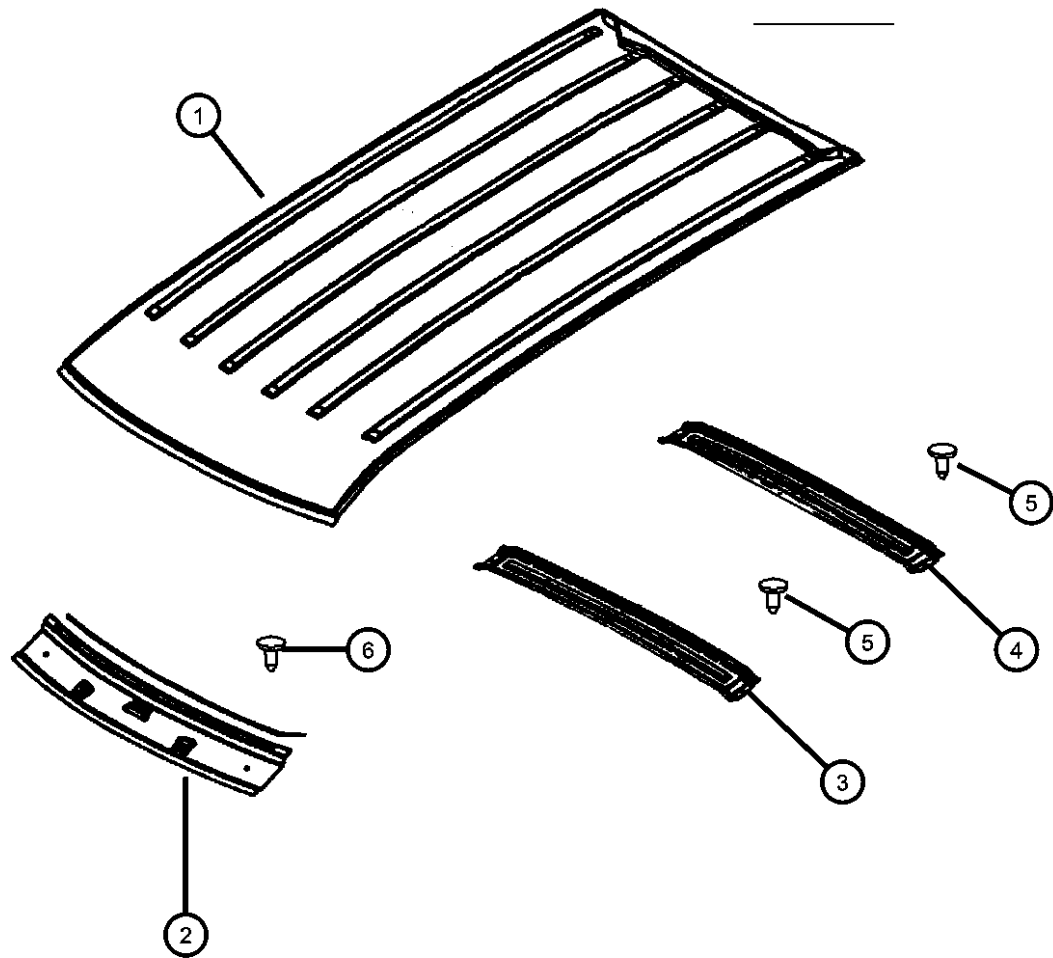
ENGINE
ED1 = Engine - 2.4L 4 Cyl DOHC 16v SMPI
EKG = Engine - 3.7L V6
ENJ = Engine -2.5L 4 Cyl 16V Turbo Diesel
ENR = Engine - 2.8L 4 Cyl Turbo Diesel
ENO = 4Cyl Turbo Diesel
EKO = All 3.7L
EDO = All 2.4L

TRANSMISSION
DDD = Transmission - 5-Speed HD Manual
DDK = Transmission - 5-Speed HD Manual
DG4 = Transmission-Multi-Speed Auto, 45RFE
DG6 = Transmission-4-Spd. Automatic, 42RLE
DGQ = Transmission-5-Spd Automatic 5-45RFE
DBB = All Manual Transmissions
DG0 = All Automatic Transmissions

AR = use ase required - = Non illustrated part

**Roof Panel
Figure SKJ-1110**

ITEM	PART NUMBER	QTY	LINE	SERIES	BODY	ENGINE	TRANS	TRIM	DESCRIPTION
1	55176994AC	1							PANEL, Roof Without Sunroof
	55176995AD	1							With Sunroof
2	55177022AA	1							HEADER, Roof Front
3	55360281AA	1							BOW, Roof, Without Sunroof
4	55176998AA	1							BOW, Roof
5	55176998AA	1							PUSH PIN, M6.35x18.50, (NOT SERVICED)
6	06030441	1							PIN, Retainer



LIBERTY (KJ)

SERIES	LINE
P = Limited	J = LHD (4WD)
H = Sport	U = RHD (4WD)
M = Renegade	T = LHD (2WD)

BODY
74 = 4 Door (104.3 WB)

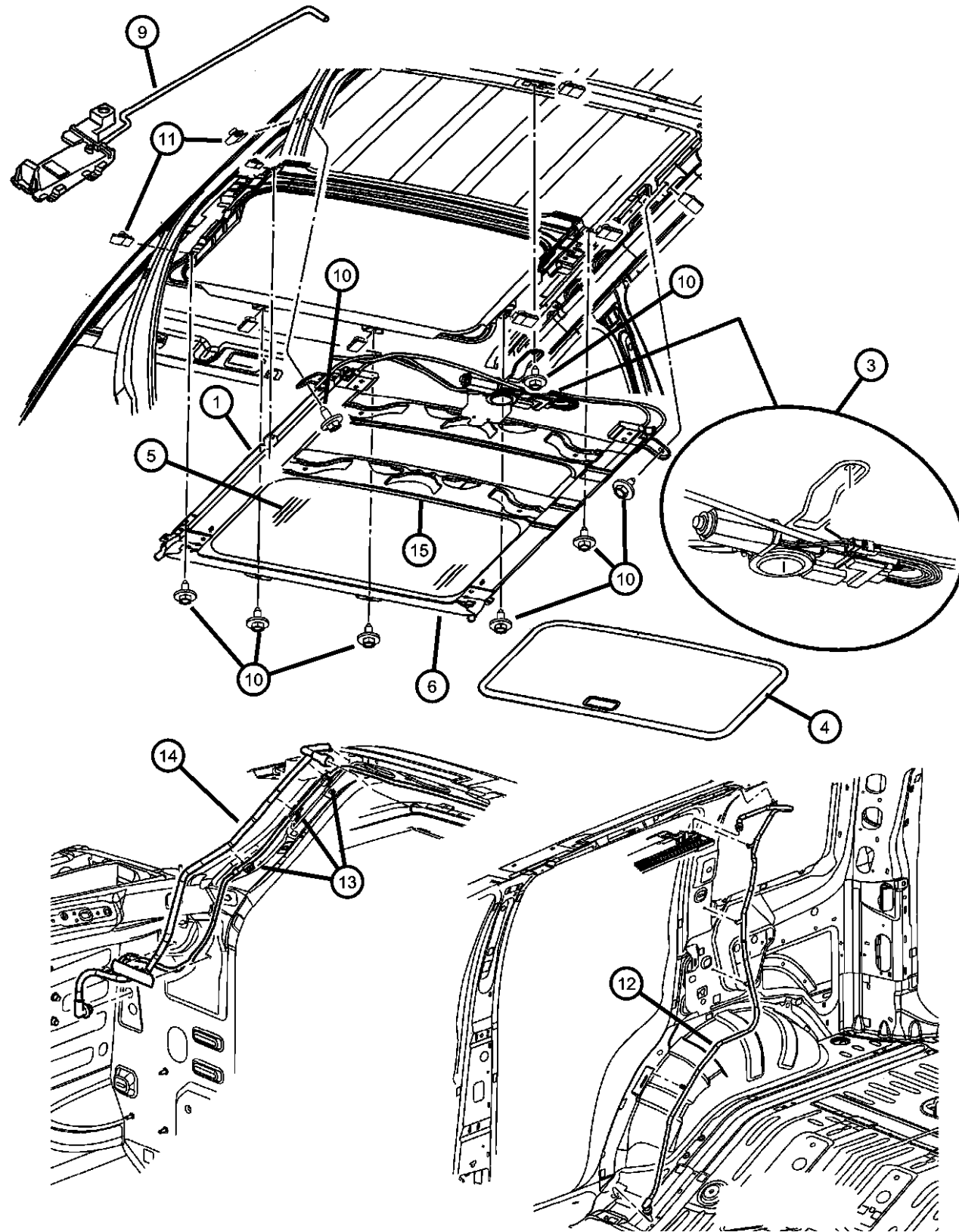
ENGINE
ED1 = Engine - 2.4L 4 Cyl
DOHC 16v SMPI
EKG = Engine - 3.7L V6
ENJ = Engine -2.5L 4 Cyl 16V
Turbo Diesel
ENR = Engine - 2.8L 4 Cyl
Turbo Diesel
ENO = 4Cyl Turbo Diesel
EKO = All 3.7L
EDO = All 2.4L

TRANSMISSION
DDD = Transmission - 5-Speed HD
Manual
DDK = Transmission - 5-Speed HD
Manual
DG4 = Transmission-Multi-Speed
Auto, 45RFE
DG6 = Transmission-4-Spd.
Automatic, 42RLE
DGQ = Transmission-5-Spd Automatic
5-45RFE
DBB = All Manual Transmissions
DG0 = All Automatic Transmissions

AR = use ase required - = Non illustrated part

2004 KJ

**Sunroof
Figure SKJ-1210**



ITEM	PART NUMBER	QTY	LINE	SERIES	BODY	ENGINE	TRANS	TRIM	DESCRIPTION
Note: Guides 5066433AB attach to frame brace 5101844AA. Frame brace 5101844AA pulls sunshade open when in closed position.									
1	05101963AA	1							MODULE, Sunroof
-2	05066895AB	1							DEFLECTOR, Sunroof Wind
3	05096260AA	1							MOTOR, Sunroof, With Control Unit
4	0UX06TL2AA	1							SUNSHADE, Sunroof
5	05066892AA	1							GLASS, Sunroof
6	05066896AA	1							SEAL, Sunroof Glass
-7	0UX09TL2AA	1							TRIM LACE, Sunroof
-8	05101961AA	1							WIRING, Sunroof
9	05066433AB	1							GUIDE, Sunroof Track, Contains Right & Left Guides and 2 Push Nuts
10	06505728AA	8							SCREW AND WASHER, Hex Head, M6x1x17
11	06506035AA	10							NUT, U, M6x1
12									HOSE, Sunroof Drain, Rear
	55360180AF	1							Right
	55360181AF	1							Left
13	55360393AA	3							CLIP, Hose
14									HOSE, Sunroof Drain, Front
	55360178AB	1							Right
	55360179AB	1							Left
15	05101844AA	1							BRACE, WATER TROUGH

LIBERTY (KJ)

SERIES

P = Limited
H = Sport
M = Renegade

LINE

J = LHD (4WD)
U = RHD (4WD)
T = LHD (2WD)

BODY

74 = 4 Door (104.3 WB)

ENGINE

ED1 = Engine - 2.4L 4 Cyl DOHC 16v SMPI
EKG = Engine - 3.7L V6
ENJ = Engine -2.5L 4 Cyl 16V Turbo Diesel
ENR = Engine - 2.8L 4 Cyl Turbo Diesel
ENO = 4Cyl Turbo Diesel
EKO = All 3.7L
EDO = All 2.4L

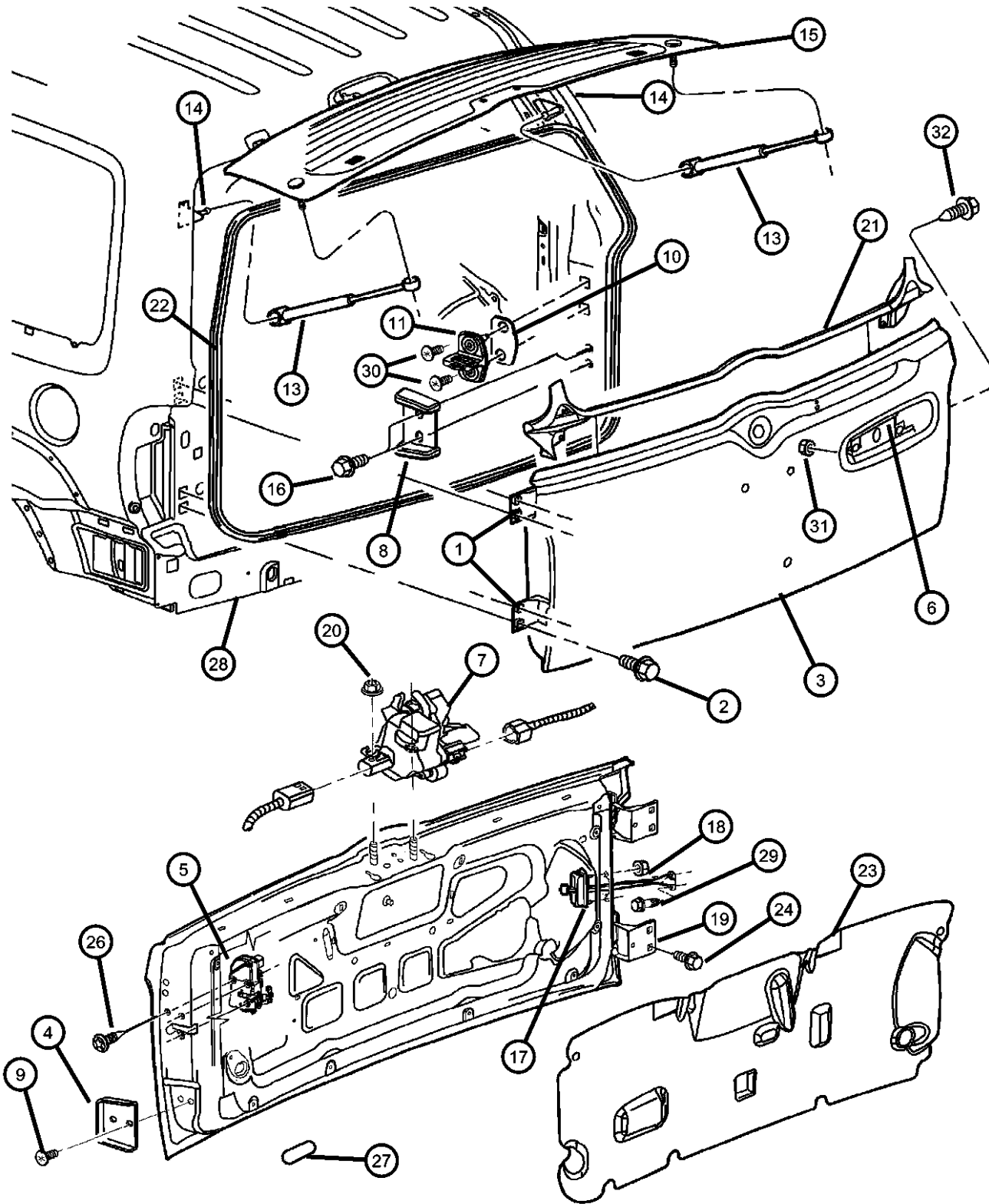
TRANSMISSION

DDD = Transmission - 5-Speed HD Manual
DDK = Transmission - 5-Speed HD Manual
DG4 = Transmission-Multi-Speed Auto, 45RFE
DG6 = Transmission-4-Spd. Automatic, 42RLE
DGQ = Transmission-5-Spd Automatic 5-45RFE
DBB = All Manual Transmissions
DG0 = All Automatic Transmissions

AR = use ase required - = Non illustrated part

2004 KJ

**Swing Gate, Latch, and Hinges
Figure SKJ-1310**



ITEM	PART NUMBER	QTY	LINE	SERIES	BODY	ENGINE	TRANS	TRIM	DESCRIPTION
------	-------------	-----	------	--------	------	--------	-------	------	-------------

Note: For Backlite Hinges and Associated Hardware, see Group SKJ Illustration 710

1									HINGE, Liftgate Upper
	52850558AB	1							Lower
	52850559AB	1							
2	52850559AB	1							SCREW, M8X1.25X42.00, (NOT SERVICED)
3	55176934AF	1							PANEL, Tailgate
4	52850562AG	1							BUMPER, Tailgate
5									LATCH, Tailgate Up to 1/20/04
	55360641AA	1							After 1/20/04
	55360641AB	1							
6	05102498AA	1							HANDLE, Exterior Tailgate
7	55360357AC	1							LATCH, Liftgate Glass
8	55360324AC	1							STABILIZER, Swing Gate
9	06507128AA	2							SCREW AND WASHER, Hex Head, M6 x 1.00 x 26.5
10	55075483	AR							SPACER, Door Latch Striker
11	04878826AA	1							STRIKER, Door
-12	06503692	2							SCREW, M8-1.25
13	55360171AB	2							GAS CYLINDER, Liftgate Glass
14	55360394AC	2							BRACKET, Ballstud
15									BACKLITE, Note: For Backlite Hinges and Associated Hardware, see Group SKJ Illustration 710 Tinted
	55360340AP	1							Privacy
	55360342AP	1							
16	06507456AA	2							BOLT AND CONED WASHER, Hex Head, M6x20x14
17	55360170AB	1							ARM, Cargo Door Check
18	06503504	2							NUT AND WASHER, Hex, M6x1, Check Strap to Body
19	06503504	2							SCREW, Tapping, M6x1x20, (NOT SERVICED)

LIBERTY (KJ)

SERIES	LINE
P = Limited	J = LHD (4WD)
H = Sport	U = RHD (4WD)
M = Renegade	T = LHD (2WD)

BODY
74 = 4 Door (104.3 WB)

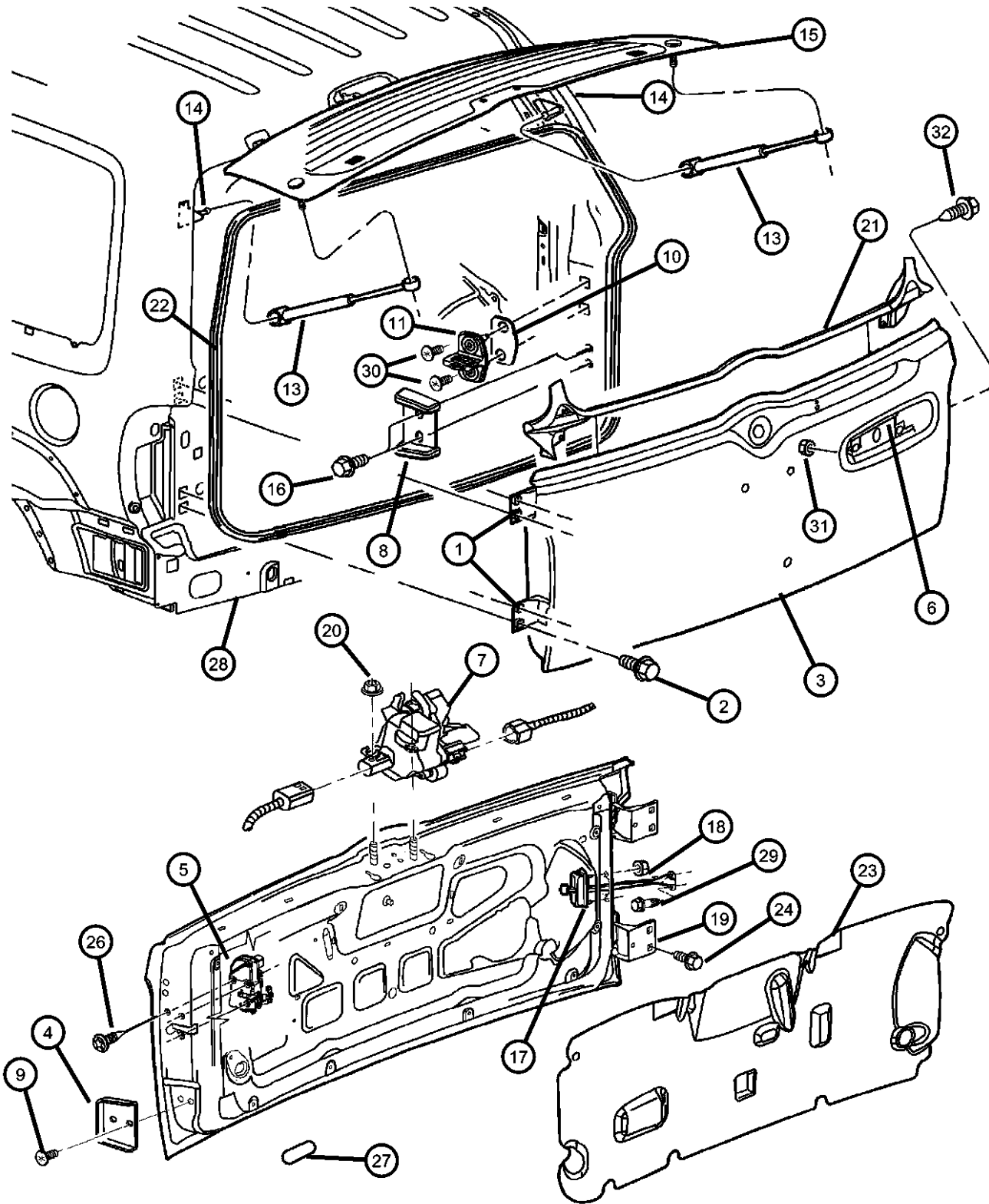
ENGINE
ED1 = Engine - 2.4L 4 Cyl DOHC 16v SMPI
EKG = Engine - 3.7L V6 Turbo Diesel
ENJ = Engine - 2.5L 4 Cyl 16V Turbo Diesel
ENR = Engine - 2.8L 4 Cyl Turbo Diesel
ENO = 4Cyl Turbo Diesel
EK0 = All 3.7L
ED0 = All 2.4L

TRANSMISSION
DDD = Transmission - 5-Speed HD Manual
DDK = Transmission - 5-Speed HD Manual
DG4 = Transmission-Multi-Speed Auto, 45RFE
DG6 = Transmission-4-Spd. Automatic, 42RLE
DGQ = Transmission-5-Spd Automatic 5-45RFE
DBB = All Manual Transmissions
DG0 = All Automatic Transmissions

AR = use ase required - = Non illustrated part

2004 KJ

Swing Gate, Latch, and Hinges
Figure SKJ-1310



ITEM	PART NUMBER	QTY	LINE	SERIES	BODY	ENGINE	TRANS	TRIM	DESCRIPTION
20	06503102	2							NUT AND WASHER, Hex Nut-Coned Washer, M6 x 1.00
21	55360065AB	1							WEATHERSEAL, Tailgate
22	55176958AG	1							WEATHERSEAL, Tailgate
23	55360309AB	1							WATERSHIELD, Liftgate Inner
24	06503328	6							SCREW, Hex Head, M8x1.25x30
-25	04520289	AR							SPACER, Door Latch Striker
26	06036364AA	3							SCREW, Oval Head, Swing Gate Latch to Swing Gate
27	04646527	2							PLUG, Deck Lid
28	55360227AD	1							PANEL, Liftgate Opening, D-Ring Shaped, Contains Rear Gate Opening and Roof Header
29	55360227AD	1							SCREW, Hex Flange Head, M6x1.00x20, (NOT SERVICED)
30	06506367AA	2							SCREW, M8-1.25
31	06503226	2							NUT, Hex Flange, M5x.8
32	06507011AA	2							SCREW

LIBERTY (KJ)

SERIES

P = Limited
H = Sport
M = Renegade

LINE

J = LHD (4WD)
U = RHD (4WD)
T = LHD (2WD)

BODY

74 = 4 Door (104.3 WB)

ENGINE

ED1 = Engine - 2.4L 4 Cyl DOHC 16v SMPI
EKG = Engine - 3.7L V6
ENJ = Engine -2.5L 4 Cyl 16V Turbo Diesel
ENR = Engine - 2.8L 4 Cyl Turbo Diesel
ENO = 4Cyl Turbo Diesel
EKO = All 3.7L
EDO = All 2.4L

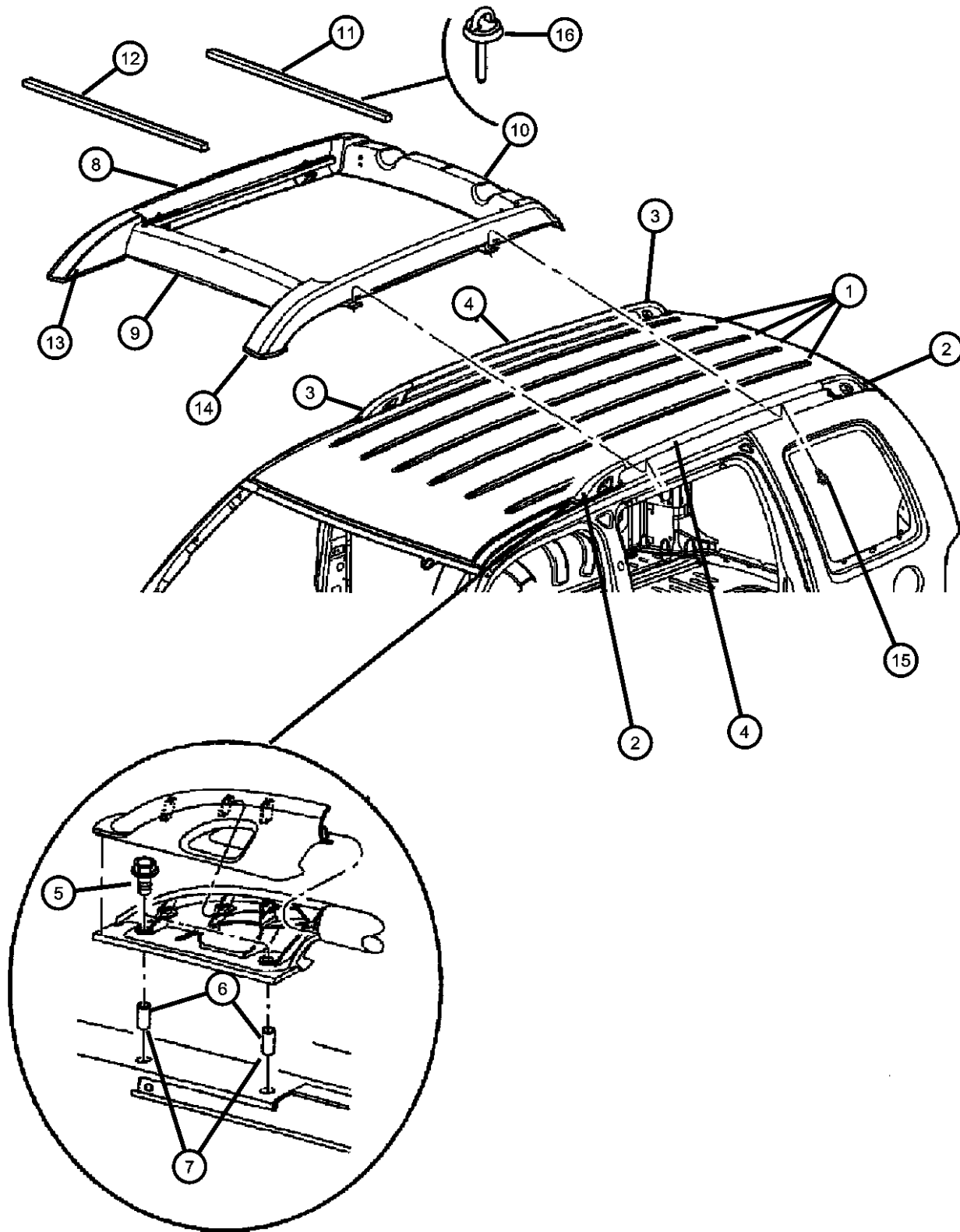
TRANSMISSION

DDD = Transmission - 5-Speed HD Manual
DDK = Transmission - 5-Speed HD Manual
DG4 = Transmission-Multi-Speed Auto, 45RFE
DG6 = Transmission-4-Spd. Automatic, 42RLE
DGQ = Transmission-5-Spd Automatic 5-45RFE
DBB = All Manual Transmissions
DG0 = All Automatic Transmissions

AR = use ase required - = Non illustrated part

2004 KJ

**Luggage Rack
Figure SKJ-1610**



ITEM	PART NUMBER	QTY	LINE	SERIES	BODY	ENGINE	TRANS	TRIM	DESCRIPTION
Note: Production crossrails not used. See accessory catalog for crossrail package.									
1	55135987AC	4							SKID STRIP, Roof Rack
2									COVER, Luggage Rack
	55360425AE	1							Left, Front
	55360427AC	1							Left, Rear
3									COVER, Luggage Rack
	55360424AE	1							Right, Front
	55360426AC	1							Right, Rear
4									RAIL, Luggage Rack Side
	55360418AJ	1							Right
	55360419AJ	1							Left
5	06507086AA	8							SCREW
6	06503245	6							RIVET, Hex Head
7	06506489AA	2							RIVET, Round Head
8									RAIL, Luggage Rack Side
	5JA16RXFAC	1							Right
	5JA17RXFAC	1							Left
9	5JA18RXFAC	1							COVERFront
10	5JA19RXFAC	1							COVERRear
11	55156586AC	1							CROSS RAIL, Roof RackRear
12	55360526AC	1							CROSS RAIL, Roof RackFront
13	55156594AD	1							ISOLATORRight
14	55156595AD	1							ISOLATORLeft
15	06507449AA	4							SCREW
16	55156591AB	1							CAP, Screw Cover

LIBERTY (KJ)

SERIES LINE
P = Limited J = LHD (4WD)
H = Sport U = RHD (4WD)
M = Renegade T = LHD (2WD)

BODY
74 = 4 Door (104.3 WB)

ENGINE
ED1 = Engine - 2.4L 4 Cyl
DOHC 16v SMPI
EKG = Engine - 3.7L V6
ENJ = Engine -2.5L 4 Cyl 16V
Turbo Diesel
ENR = Engine - 2.8L 4 Cyl
Turbo Diesel
ENO = 4Cyl Turbo Diesel
EKO = All 3.7L
EDO = All 2.4L

TRANSMISSION
DDD = Transmission - 5-Speed HD
Manual
DDK = Transmission - 5-Speed HD
Manual
DG4 = Transmission-Multi-Speed
Auto, 45RFE
DG6 = Transmission-4-Spd.
Automatic, 42RLE
DGQ = Transmission-5-Spd Automatic
5-45RFE
DBB = All Manual Transmissions
DG0 = All Automatic Transmissions

AR = use ase required - = Non illustrated part

2004 KJ

Group - LBLS

Labels All Vehicle Locations

Group - LBLS Labels All Vehicle Locations

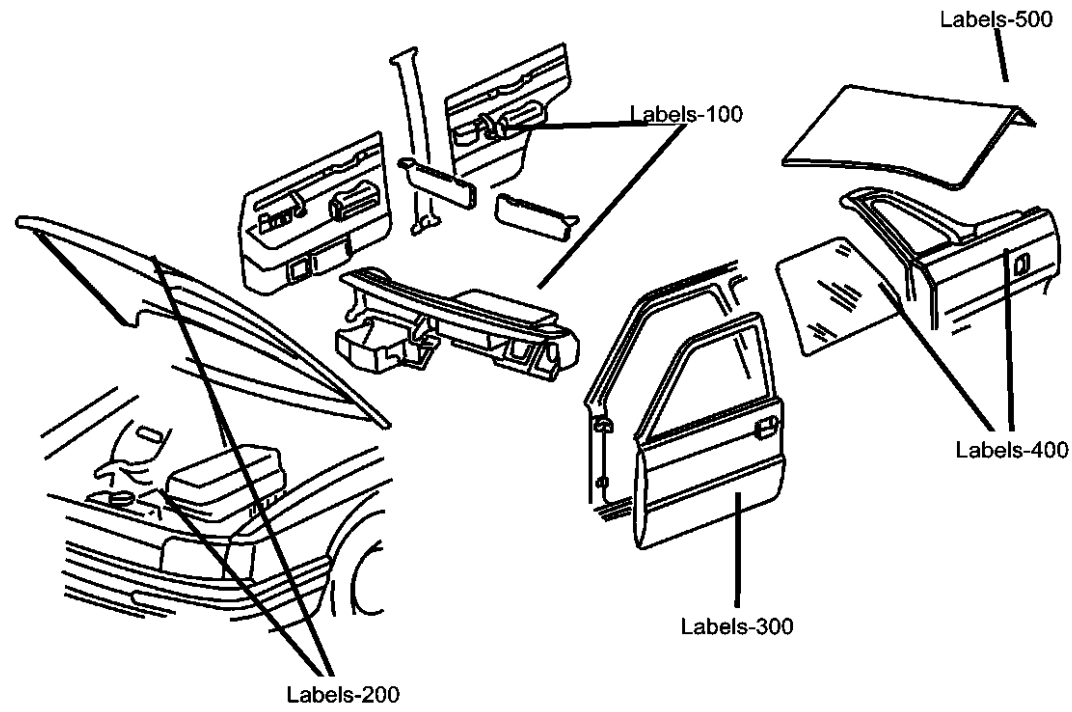


Illustration Title

Group-Fig. No.

Interior

Instrument Panel, Visors & Trim Fig. LBLS - 110

Under Hood

Engine Compartment Fig. LBLS - 210

Doors

Door and Pillars Fig. LBLS - 310

Rear Glass Fig. LBLS - 320

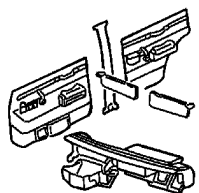


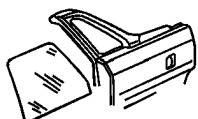

Exterior

Fuel Door/Filler Fig. LBLS - 410

Rear Cargo & Storage

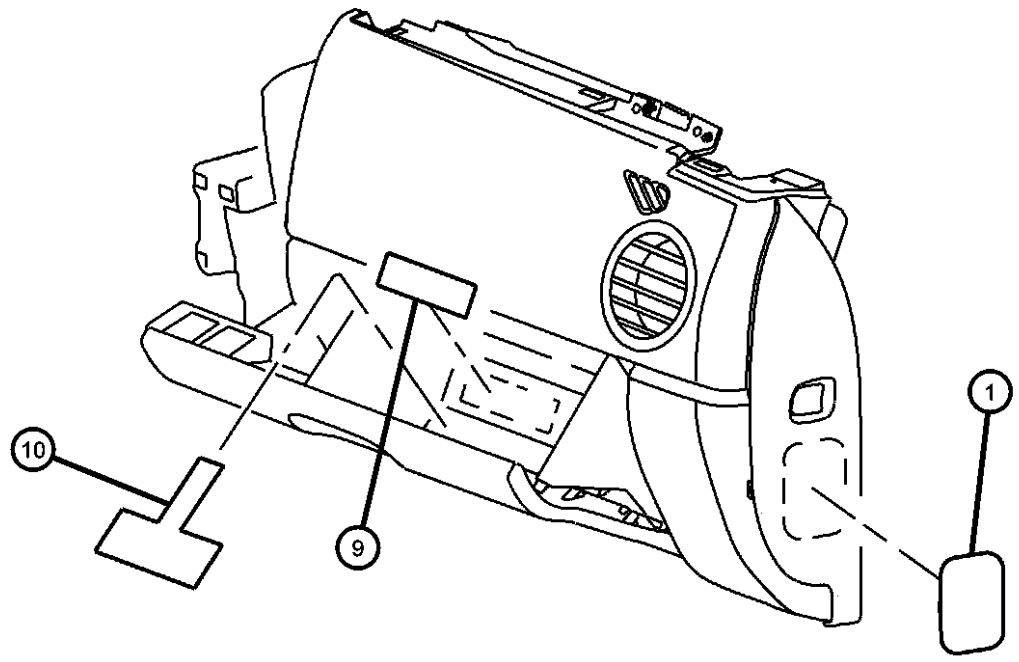
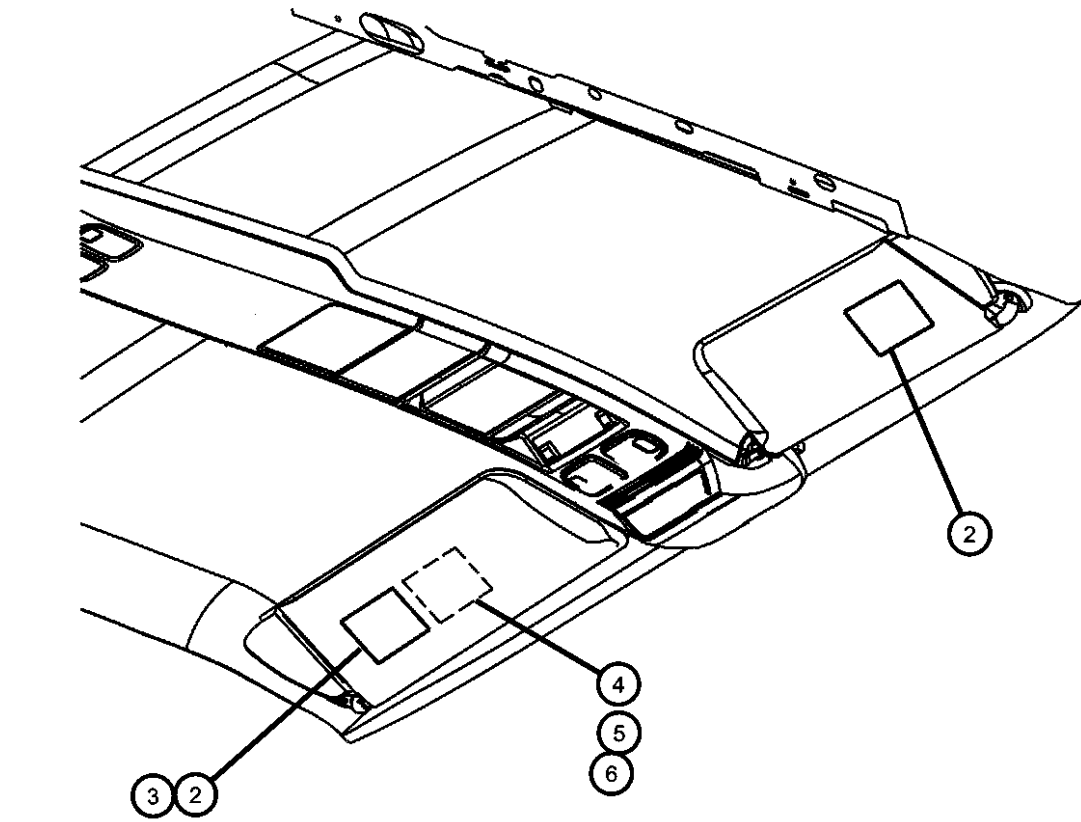
Jack Assembly Fig. LBLS - 510

Rear Cargo Fig. LBLS - 520

<p>LBLS-100 Interior</p> 	<p>LBLS-200 Under Hood</p> 	<p>LBLS-300 Doors</p> 	<p>LBLS-400 Exterior</p> 
<p>LBLS-500 Rear Cargo & Storage</p> 			

**Instrument Panel, Visors & Trim
Figure LBL5-110**

ITEM	PART NUMBER	QTY	LINE	SERIES	BODY	ENGINE	TRANS	TRIM	DESCRIPTION
1	04680556AA	1							DECAL, Seat Belt Safety
2									LABEL, Air Bag Warning
	04649281AA	4							Seat Side (English-French)
	04664294AA	1							Side (English-Arabic)
	04787437AA	2							English-French
	05023540AA	2							Sun Visor (English-French)
	05023543AA	2							Sun Visor (English-Italian)
	05023548AA	2							English-Arabic
	05023743AA	2							Sun Visor (English-German)
	55197154AA	2							Export
3									LABEL, Air Bag Warning, Spanish
	04851416AA	1							Mexico
	05032545AA	2							Mexico side air bag warning
4	53015958AA	1							LABEL, Rollover Risk, English-Arabic
5	05031307AA	1							LABEL, Visor Warning, Rollover Risk, Mexico
6	55352825AA	1							LABEL, Warning, Rollover risk
-7	55352825AA	1							LABEL, Air Bag Warning, Spanish, (NOT SERVICED)
-8	04897875AA	2							LABEL, Airbag, Visor
9									LABEL, Tire Pressure
	52088962AB	1							USA / Mexico / Canada
	52088963AB	1							United Kingdom (English)
	52128593AB	1							Canada (French-English)
10	52128593AB	1							LABEL, Limited Warranty, (NOT SERVICED),
-11	56042844AD	1							LABEL, General Information, Sticker Sheet
-12	06032217	2							RIVET, .197 Grip-.187-.375, VIN plate attaching



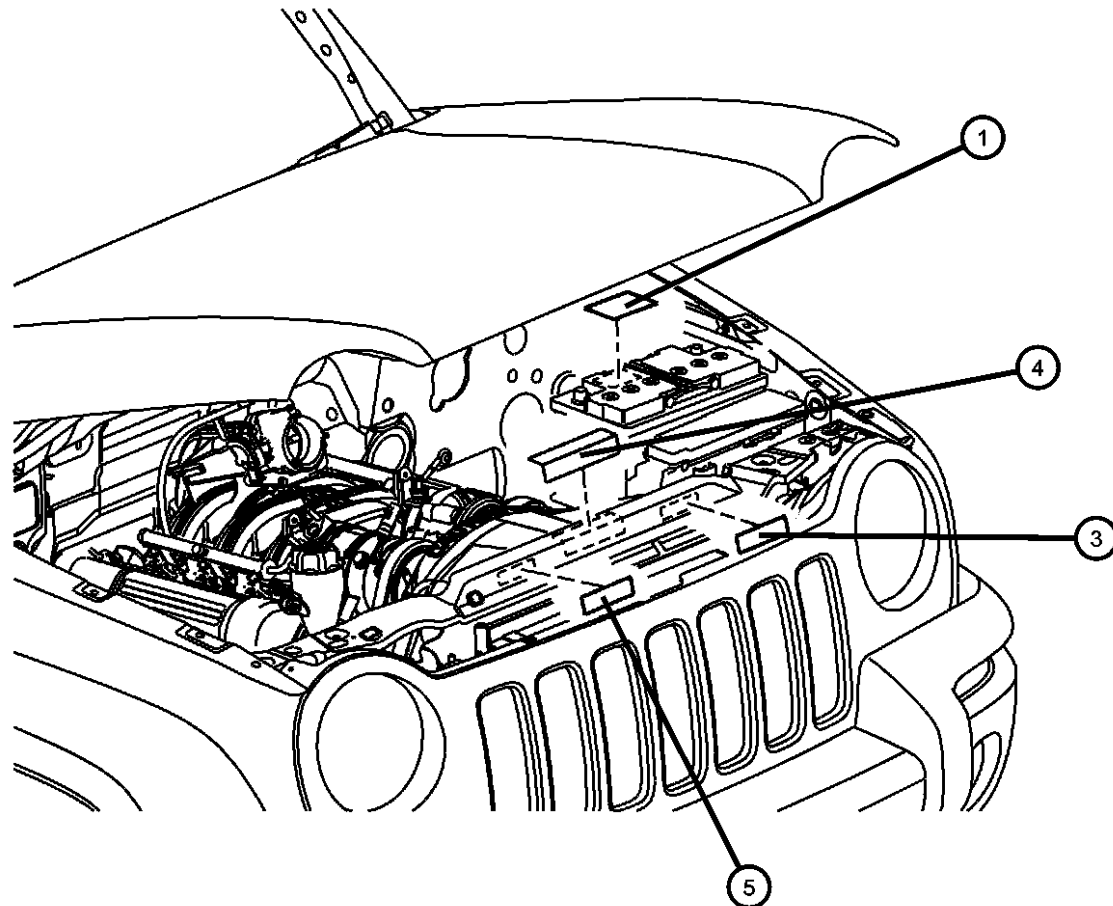
LIBERTY (KJ)				
SERIES	LINE	BODY	ENGINE	TRANSMISSION
P = Limited	J = LHD (4WD)	74 = 4 Door (104.3 WB)	ED1 = Engine - 2.4L 4 Cyl DOHC 16v SMPI	DDD = Transmission - 5-Speed HD Manual
H = Sport	U = RHD (4WD)		EKG = Engine - 3.7L V6	DDK = Transmission - 5-Speed HD Manual
M = Renegade	T = LHD (2WD)		ENJ = Engine -2.5L 4 Cyl 16v Turbo Diesel	DG4 = Transmission-Multi-Speed Auto, 45RFE
			ENR = Engine - 2.8L 4 Cyl Turbo Diesel	DG6 = Transmission-4-Spd. Automatic, 42RLE
			ENO = 4Cyl Turbo Diesel	DGQ = Transmission-5-Spd Automatic 5-45RFE
			EK0 = All 3.7L	DBB = All Manual Transmissions
			ED0 = All 2.4L	DG0 = All Automatic Transmissions

AR = use ase required - = Non illustrated part

**Engine Compartment
Figure LBL5-210**

ITEM	PART NUMBER	QTY	LINE	SERIES	BODY	ENGINE	TRANS	TRIM	DESCRIPTION
------	-------------	-----	------	--------	------	--------	-------	------	-------------

Notes:
 [ED0] = 2.4L 4 Cylinder Engine
 [EK0] = 3.7L V6 Cylinder Engine
 [EN0] = 2.5L Diesel



1									LABEL, Battery
	04606818AA	1				ED0, EK0			Export
	04793062	1				ED0, EK0			Warning, European Equipment
		1				ED0, EK0			
	05032786AA	1							Mexico
	56041046	1							French
-2	56041047	1							LABEL, Battery Jump Start, French
3									LABEL, Belt Routing
	05032784AA	1				EK0			Mexico
	53014005AA	1				EN0			
	53030960	1				EK0			
	53031758AA	1				ED0			
4									LABEL, Emission
	05271641AA	1				EK0			
	52129079AA	1				ED0			[NAS] Up to 11/14/03
	52129079AB	1				ED0			After 11/14/03 [NAS]
	52129080AA	1				EK0			[NAS][DG0]
	52129081AA	1				EK0			[NAS][DBB]
	52129082AA	1				ED0			[NA1] Up to 11/14/03
	52129082AB	1				ED0			After 11/14/03
	52129083AA	1				EK0			[NA1]
5									LABEL, Refrigerant
	55037464AD	1							
	05032796AB	1							Mexico
-6	52128784AA	1							LABEL, Warning, Brake Fluid (Arabic)
-7	05031287AA	1							LABEL, Fan Caution, Mexico

LIBERTY (KJ)

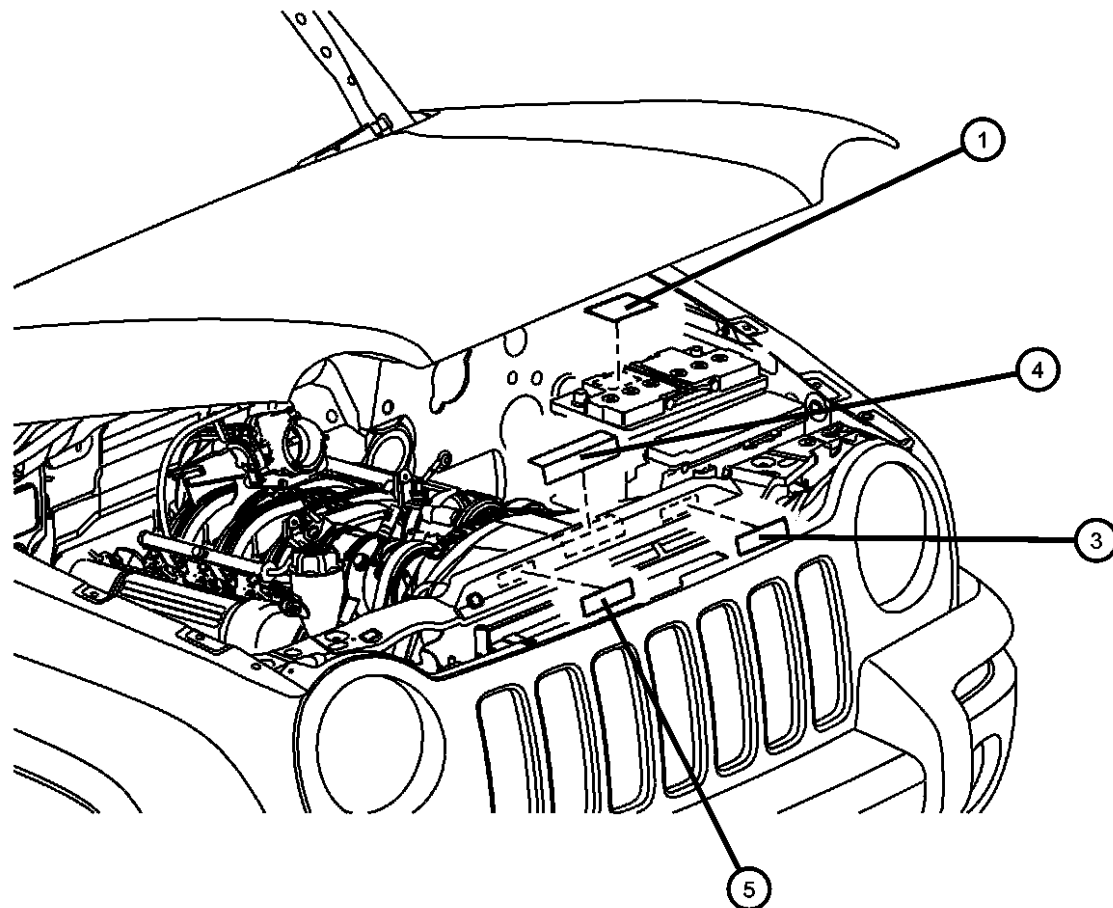
SERIES	LINE	BODY	ENGINE	TRANSMISSION
P = Limited	J = LHD (4WD)	74 = 4 Door (104.3 WB)	ED1 = Engine - 2.4L 4 Cyl DOHC 16v SMPI	DDD = Transmission - 5-Speed HD Manual
H = Sport	U = RHD (4WD)		EKG = Engine - 3.7L V6	DDK = Transmission - 5-Speed HD Manual
M = Renegade	T = LHD (2WD)		ENJ = Engine -2.5L 4 Cyl 16v Turbo Diesel	DG4 = Transmission-Multi-Speed Auto, 45RFE
			ENR = Engine - 2.8L 4 Cyl Turbo Diesel	DG6 = Transmission-4-Spd. Automatic, 42RLE
			EN0 = 4Cyl Turbo Diesel	DGQ = Transmission-5-Spd Automatic 5-45RFE
			EK0 = All 3.7L	DBB = All Manual Transmissions
			ED0 = All 2.4L	DG0 = All Automatic Transmissions

AR = use ase required - = Non illustrated part

2004 KJ

**Engine Compartment
Figure LBL5-210**

ITEM	PART NUMBER	QTY	LINE	SERIES	BODY	ENGINE	TRANS	TRIM	DESCRIPTION
-8	05032882AB	1							LABEL, Master Cylinder Reservoir, Mexico
-9	55056343AA	1							LABEL, Air Conditioning System



LIBERTY (KJ)

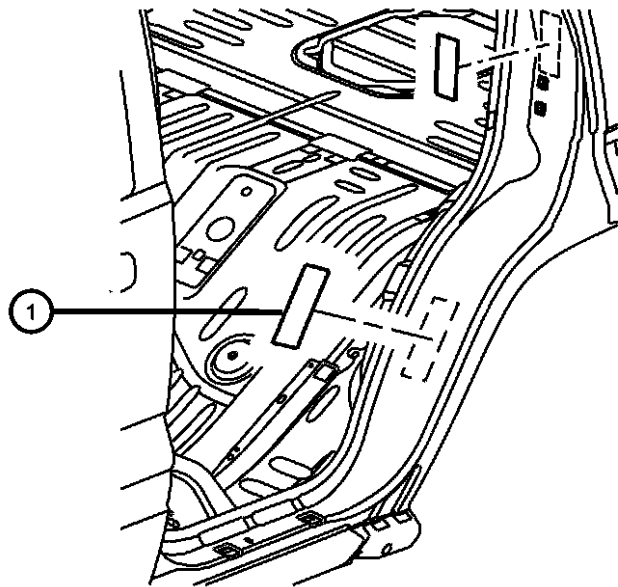
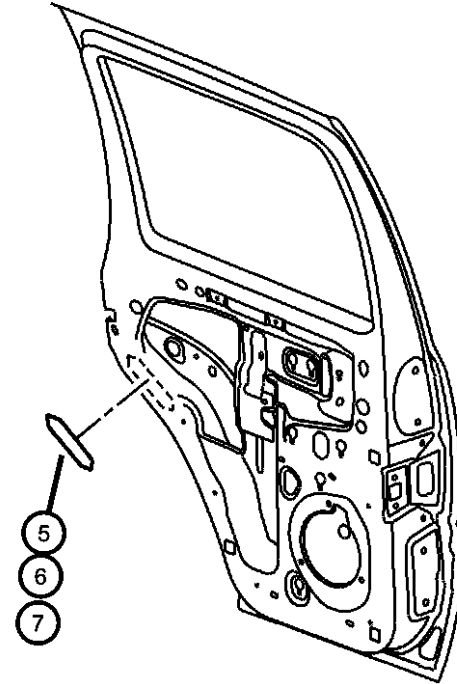
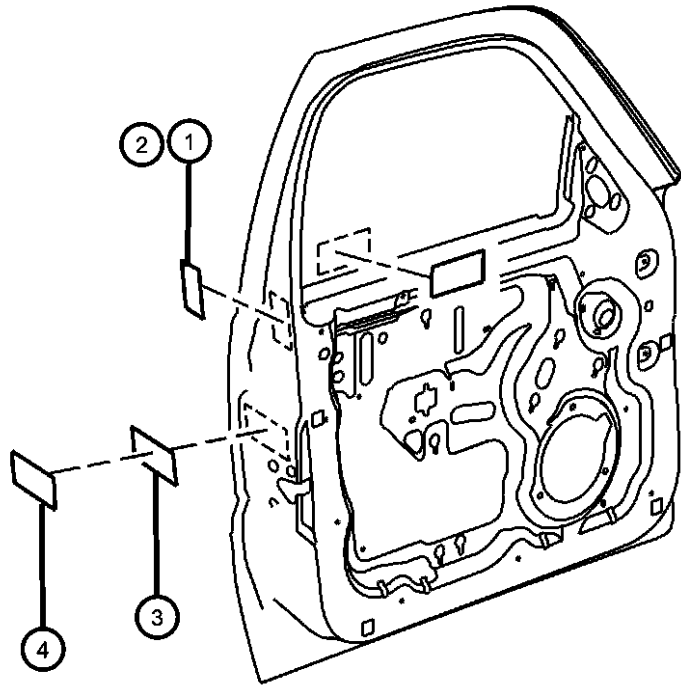
SERIES	LINE
P = Limited	J = LHD (4WD)
H = Sport	U = RHD (4WD)
M = Renegade	T = LHD (2WD)

BODY
74 = 4 Door (104.3 WB)

ENGINE	TRANSMISSION
ED1 = Engine - 2.4L 4 Cyl DOHC 16v SMPI	DDD = Transmission - 5-Speed HD Manual
EKG = Engine - 3.7L V6	DDK = Transmission - 5-Speed HD Manual
ENJ = Engine -2.5L 4 Cyl 16V Turbo Diesel	DG4 = Transmission-Multi-Speed Auto, 45RFE
ENR = Engine - 2.8L 4 Cyl Turbo Diesel	DG6 = Transmission-4-Spd. Automatic, 42RLE
ENO = 4Cyl Turbo Diesel	DGQ = Transmission-5-Spd Automatic 5-45RFE
EK0 = All 3.7L	DBB = All Manual Transmissions
ED0 = All 2.4L	DG0 = All Automatic Transmissions

AR = use ase required - = Non illustrated part

Door and Pillars
Figure LBL5-310



ITEM	PART NUMBER	QTY	LINE	SERIES	BODY	ENGINE	TRANS	TRIM	DESCRIPTION
1	04649282AA	4							LABEL, Air Bag Warning
2	04898879AA	4							LABEL, Air Bag Warning, Spanish, Mexico
3	04898879AA	4							LABEL, Certification, (NOT SERVICED)
4	04040858	1							OVERLAY, Vehicle Certification
5									LABEL, Child Protection Lock, English
	04780544AA	1							Right
	04780545AA	1							Left
6									LABEL, Child Protection Lock, French
	04780546AC	1							Right
	04780547AC	1							Left
7									LABEL, Child Protection Lock
	04852524AA	1							Mexico, Right
	04852525AA	1							Mexico, Left
-8	53015960AA	1							LABEL, Exhaust Gas Warning, English & Arabic
-9									LABEL, Tire Pressure
	05271243AA	1							Mexico
	52088962AB	1							[ABA]
	52088963AB	1							[XLR]
	52128593AB	1							
-10	04851416AA	1							LABEL, Air Bag Warning, Spanish, Mexico

LIBERTY (KJ)

SERIES

P = Limited
H = Sport
M = Renegade

LINE

J = LHD (4WD)
U = RHD (4WD)
T = LHD (2WD)

BODY

74 = 4 Door (104.3 WB)

ENGINE

ED1 = Engine - 2.4L 4 Cyl DOHC 16v SMPI
EKG = Engine - 3.7L V6
ENJ = Engine -2.5L 4 Cyl 16v Turbo Diesel
ENR = Engine - 2.8L 4 Cyl Turbo Diesel
ENO = 4Cyl Turbo Diesel
EKO = All 3.7L
EDO = All 2.4L

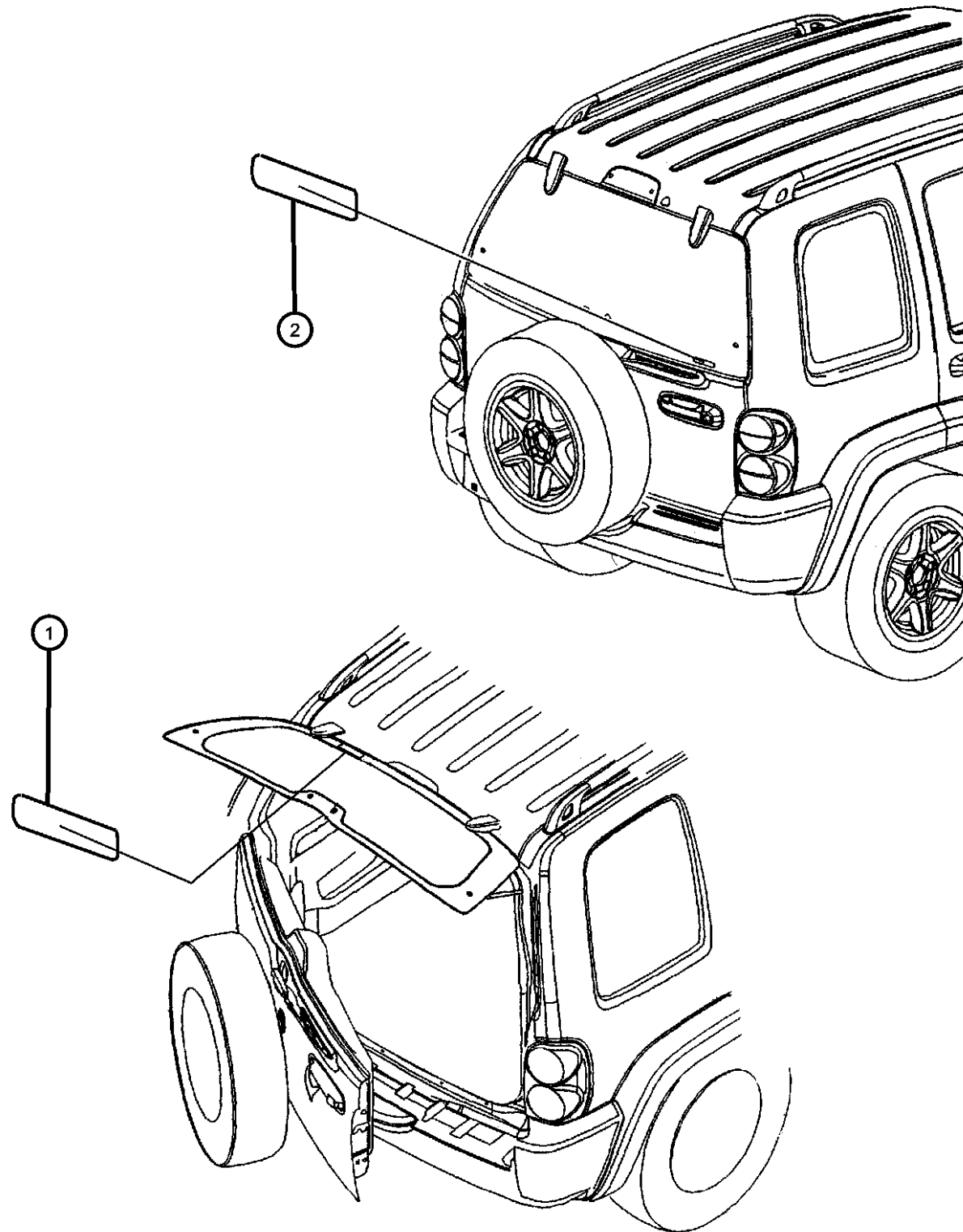
TRANSMISSION

DDD = Transmission - 5-Speed HD Manual
DDK = Transmission - 5-Speed HD Manual
DG4 = Transmission-Multi-Speed Auto, 45RFE
DG6 = Transmission-4-Spd. Automatic, 42RLE
DGQ = Transmission-5-Spd Automatic 5-45RFE
DBB = All Manual Transmissions
DG0 = All Automatic Transmissions

AR = use ase required - = Non illustrated part

2004 KJ

**Rear Glass
Figure LBLS-320**



ITEM	PART NUMBER	QTY	LINE	SERIES	BODY	ENGINE	TRANS	TRIM	DESCRIPTION
1	05032370AA	1							LABEL, Flipper Glass, Warning Mexico
	55360573AA	1							[GEJ,XLR]
	55360582AA	1							[GEG,XLR]
	55360583AA	1							Privacy Glass, Mideast Equipment
2	05032387AA	1							LABEL, Warning, Exhaust Gas Mexico
	05056223AA	1							

LIBERTY (KJ)

SERIES

P = Limited
H = Sport
M = Renegade

LINE

J = LHD (4WD)
U = RHD (4WD)
T = LHD (2WD)

BODY

74 = 4 Door (104.3 WB)

ENGINE

ED1 = Engine - 2.4L 4 Cyl DOHC 16v SMPI
EKG = Engine - 3.7L V6
ENJ = Engine -2.5L 4 Cyl 16V Turbo Diesel
ENR = Engine - 2.8L 4 Cyl Turbo Diesel
ENO = 4Cyl Turbo Diesel
EKO = All 3.7L
EDO = All 2.4L

TRANSMISSION

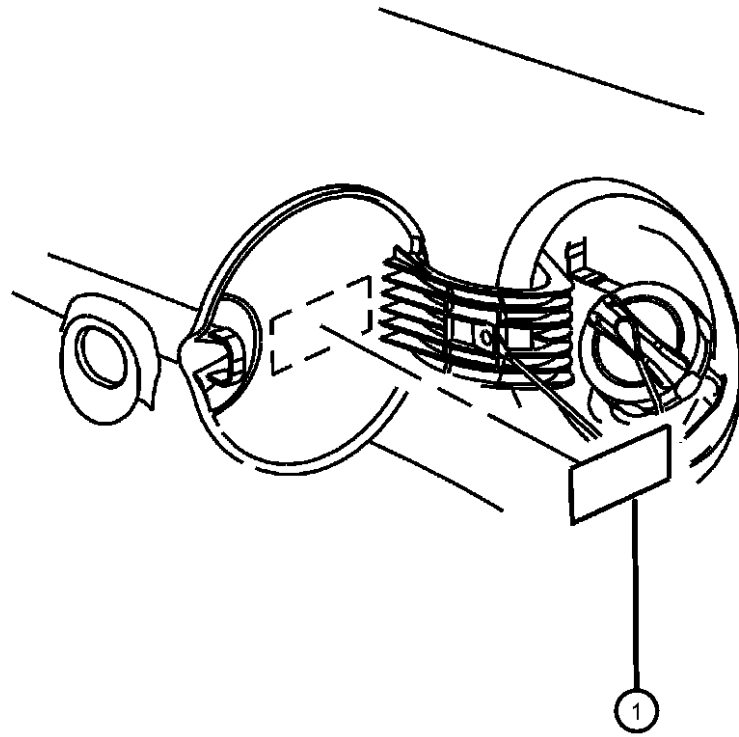
DDD = Transmission - 5-Speed HD Manual
DDK = Transmission - 5-Speed HD Manual
DG4 = Transmission-Multi-Speed Auto, 45RFE
DG6 = Transmission-4-Spd. Automatic, 42RLE
DGQ = Transmission-5-Spd Automatic 5-45RFE
DBB = All Manual Transmissions
DG0 = All Automatic Transmissions

AR = use ase required - = Non illustrated part

2004 KJ

Fuel Door/Filler
Figure LBL5-410

ITEM	PART NUMBER	QTY	LINE	SERIES	BODY	ENGINE	TRANS	TRIM	DESCRIPTION
1									LABEL, Fuel
	55295856	1				ED0, EK0			Gas Only
	J5464900	1				EN0			Diesel



LIBERTY (KJ)

SERIES LINE
P = Limited J = LHD (4WD)
H = Sport U = RHD (4WD)
M = Renegade T = LHD (2WD)

BODY
74 = 4 Door (104.3 WB)

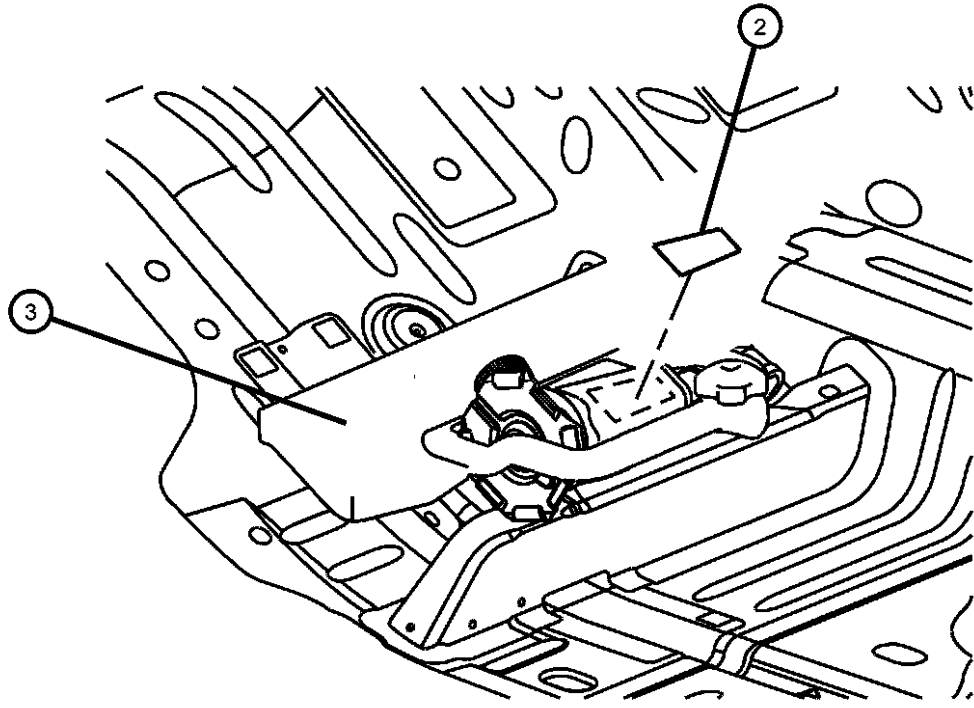
ENGINE
ED1 = Engine - 2.4L 4 Cyl
DOHC 16v SMPI
EKG = Engine - 3.7L V6
ENJ = Engine -2.5L 4 Cyl 16V
Turbo Diesel
ENR = Engine - 2.8L 4 Cyl
Turbo Diesel
EN0 = 4Cyl Turbo Diesel
EK0 = All 3.7L
ED0 = All 2.4L

TRANSMISSION
DDD = Transmission - 5-Speed HD
Manual
DDK = Transmission - 5-Speed HD
Manual
DG4 = Transmission-Multi-Speed
Auto, 45RFE
DG6 = Transmission-4-Spd.
Automatic, 42RLE
DGQ = Transmission-5-Spd Automatic
5-45RFE
DBB = All Manual Transmissions
DG0 = All Automatic Transmissions

AR = use ase required - = Non illustrated part

Jack Assembly
Figure LBL5-510

ITEM	PART NUMBER	QTY	LINE	SERIES	BODY	ENGINE	TRANS	TRIM	DESCRIPTION
-1	52059371AA	1							LABEL, Jack Instructions, Australia Group
2	52110391AA	1							LABEL, Australia Group, Jack Carrier
3									LABEL, Jack Caution
	05271495AA	1							[XL5]
	52110391AB	1							English
	52110392AB	1							[XLR]
		1							[XLS]
	52110400AB	1							ABD



LIBERTY (KJ)

SERIES

P = Limited
H = Sport
M = Renegade

LINE

J = LHD (4WD)
U = RHD (4WD)
T = LHD (2WD)

BODY

74 = 4 Door (104.3 WB)

ENGINE

ED1 = Engine - 2.4L 4 Cyl
DOHC 16v SMPI
EKG = Engine - 3.7L V6
ENJ = Engine -2.5L 4 Cyl 16V
Turbo Diesel
ENR = Engine - 2.8L 4 Cyl
Turbo Diesel
ENO = 4Cyl Turbo Diesel
EKO = All 3.7L
EDO = All 2.4L

TRANSMISSION

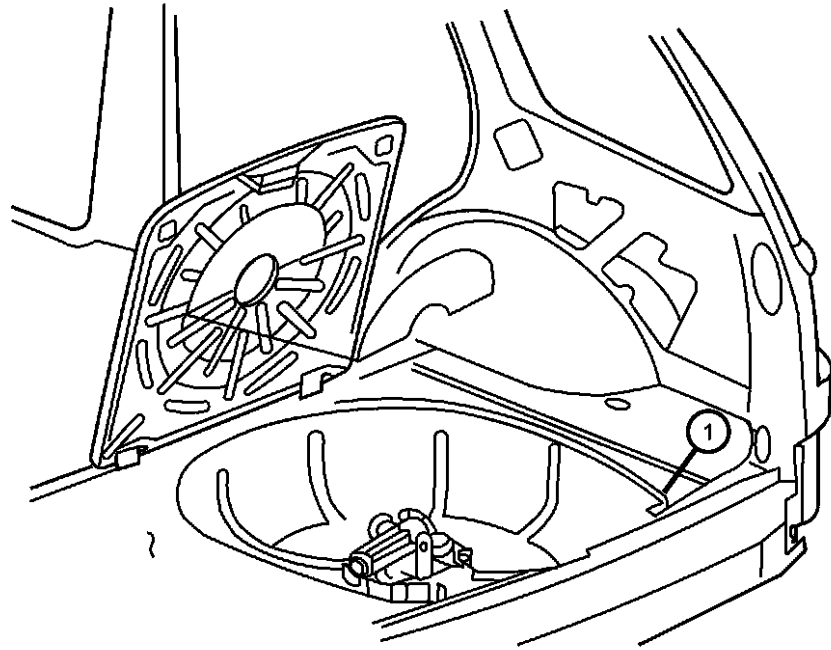
DDD = Transmission - 5-Speed HD
Manual
DDK = Transmission - 5-Speed HD
Manual
DG4 = Transmission-Multi-Speed
Auto, 45RFE
DG6 = Transmission-4-Spd.
Automatic, 42RLE
DGQ = Transmission-5-Spd Automatic
5-45RFE
DBB = All Manual Transmissions
DG0 = All Automatic Transmissions

AR = use ase required - = Non illustrated part

2004 KJ

**Rear Cargo
Figure LBLS-520**

ITEM	PART NUMBER	QTY	LINE	SERIES	BODY	ENGINE	TRANS	TRIM	DESCRIPTION
1									LABEL, Warning
	05271575AA	1							Cargo Organizer mexico
	55352890AA	1							Cargo Organizer (French)
	55352891AA	1							Cargo Organizer (Arabic)



LIBERTY (KJ)

SERIES	LINE
P = Limited	J = LHD (4WD)
H = Sport	U = RHD (4WD)
M = Renegade	T = LHD (2WD)

BODY
74 = 4 Door (104.3 WB)

ENGINE
ED1 = Engine - 2.4L 4 Cyl
DOHC 16v SMPI
EKG = Engine - 3.7L V6
ENJ = Engine -2.5L 4 Cyl 16V
Turbo Diesel
ENR = Engine - 2.8L 4 Cyl
Turbo Diesel
ENO = 4Cyl Turbo Diesel
EKO = All 3.7L
EDO = All 2.4L

TRANSMISSION
DDD = Transmission - 5-Speed HD
Manual
DDK = Transmission - 5-Speed HD
Manual
DG4 = Transmission-Multi-Speed
Auto, 45RFE
DG6 = Transmission-4-Spd.
Automatic, 42RLE
DGQ = Transmission-5-Spd Automatic
5-45RFE
DBB = All Manual Transmissions
DG0 = All Automatic Transmissions

AR = use ase required - = Non illustrated part

2004 KJ