

VIN PLATE DECODING INFORMATION

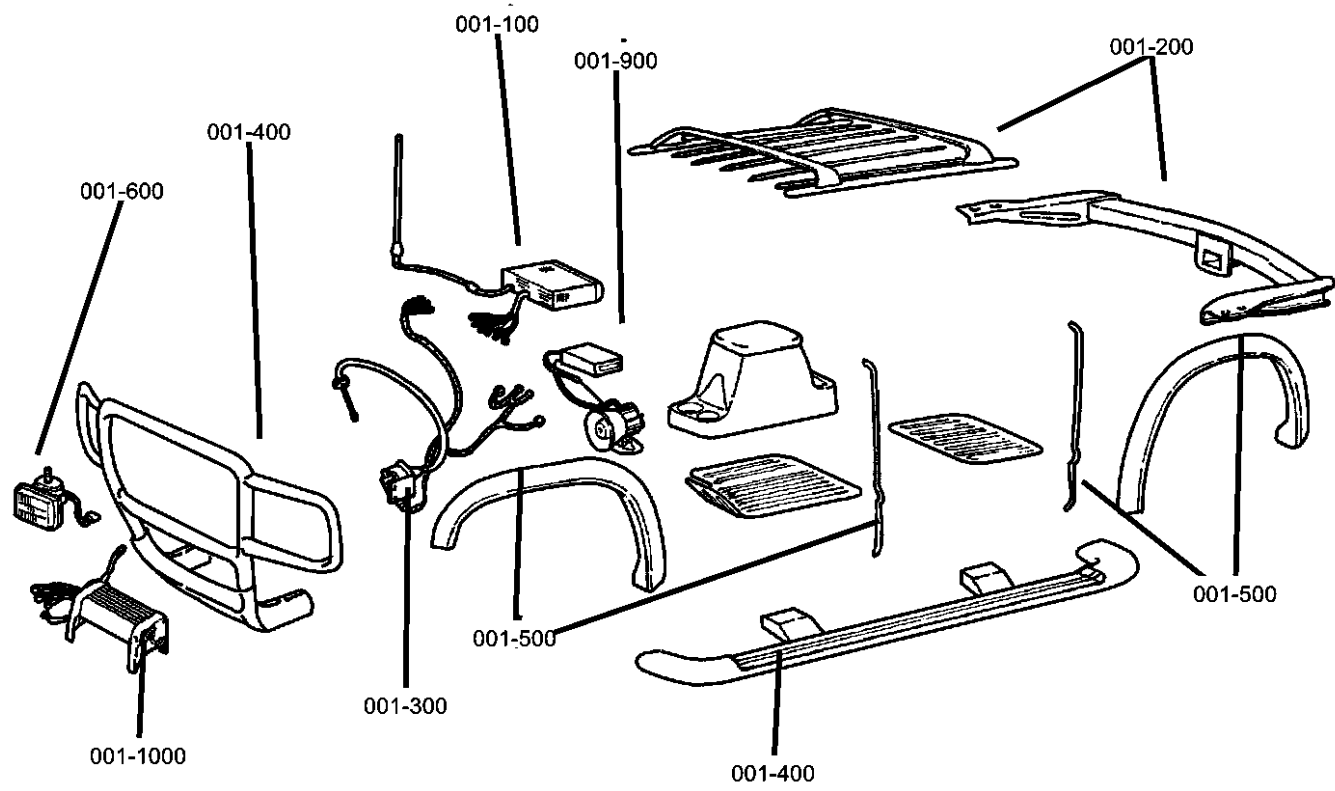
1	2	3	4	5	6	7	8	9	10	11	12 thru 17
Country	Make	Vehicle Type	Other	Line	Series	Body Style	Engine	Check Digit	Model Year	Assy. Plant	Sequence No.

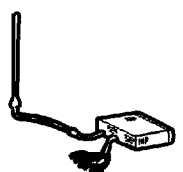
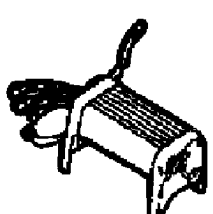


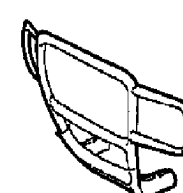

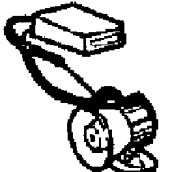
The following table interprets the VIN Plate position shown above.

Position	Interpretation	Codes = Description
1	Country of Origin	1 = United States
2	Assembler	J = Jeep
3	Vehicle Type	4 = Multipurpose Vehicle
4	GVWR & Pass. Safety	D = 0 - 1360 kg (0-3000 lbs) E = 1361 - 1814 kg (3001 - 4000 lbs) F = 1815 - 2267 kg (4001 - 5000 lbs) G = 2268 - 2721 kg (5001 - 6000 lbs) H = 2722 - 3175 kg (6001 - 7000 lbs) J = 3176 - 3628 kg (7001 - 8000 lbs) K = 3629 - 4082 kg (8001 - 9000 lbs) L = 4083 - 4535 kg (9001 - 10,000 lbs) M = 4536 - 6350 kg (10,001 - 14,000 lbs)
5	Vehicle Line	T = Cherokee 4x2 LHD B = Cherokee 4x2 RHD J = Cherokee 4x4 (RHD) BUX w/ABB F = Cherokee 4x4 LHD N = Cherokee 4x4 RHD w/o ABB
6	Series	5 = Classic 2 = SE 4 = Sport 7 = Country 6 = Limited
7	Body Style	7 = 2 Door Sport Utility 8 = 4 Door Sport Utility
8	Engine	M = 2.5L Diesel (ENC) H = 2.5L Gas Leaded (EPE) P = 2.5L Gas Unleaded (EPE) V = 4.0L Gas Leaded (ERH) S = 4.0L Gas Unleaded (ERH)
9	Check Digit	0 = Check Digit 0 = Check Digit
10	Model Year	Y = 2000
11	Assembly Plant	L = Toledo #1
12 thru 17	Vehicle Build Sequence	Model Year Assembly Sequence

Group - 1

Component Parts for Mopar Accessories

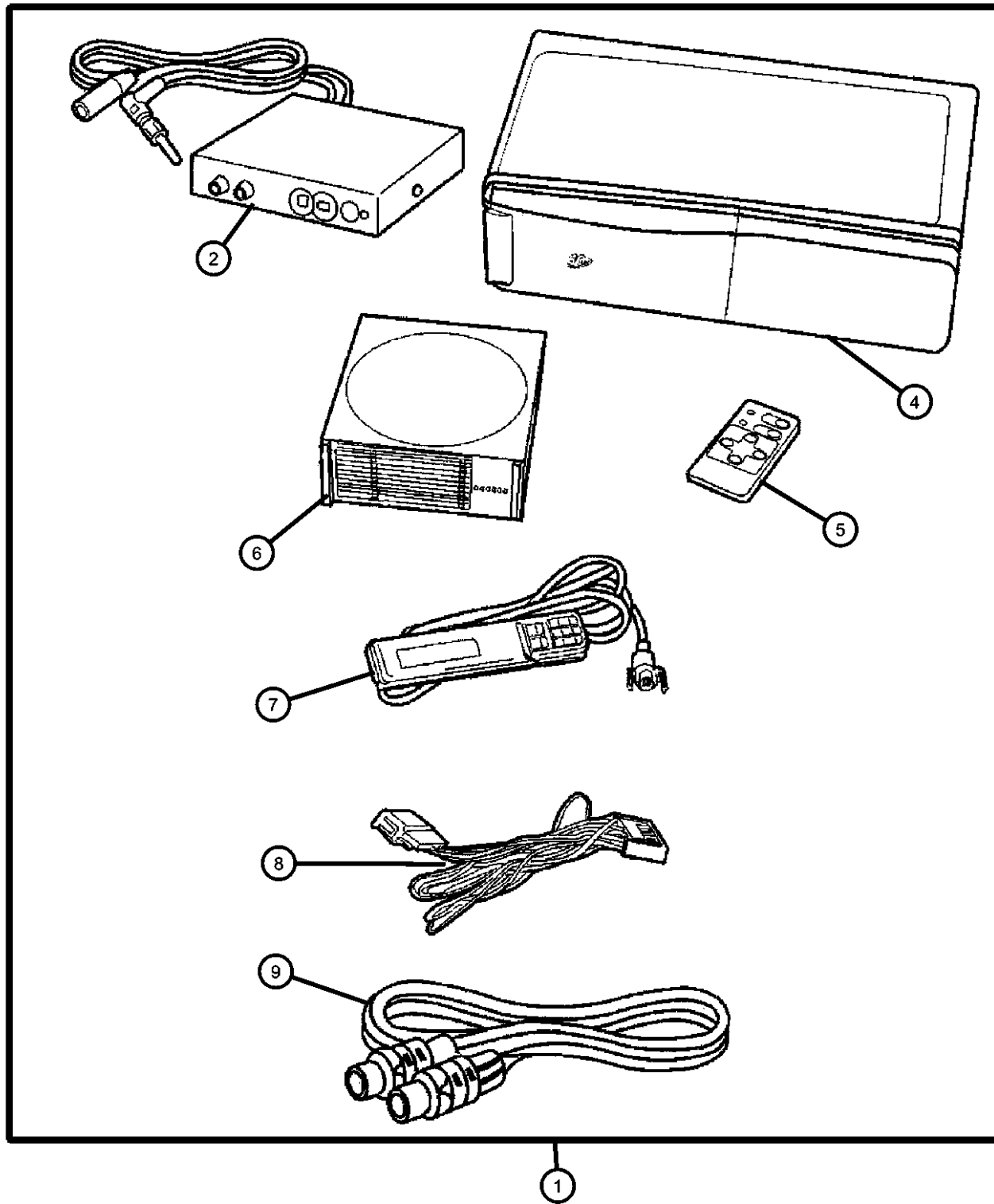


<p>001-100 Audio & Electronics</p> 	<p>001-1000 4 - Wheeling & Off Road</p> 	<p>001-200 Carriers & Cargo Hauling</p> 	<p>001-300 Driving Convenience</p> 
<p>001-400 Exterior Appearance</p> 	<p>001-500 Exterior Protection</p> 	<p>001-600 Fog Lights & Electrical</p> 	<p>001-900 Security</p> 

Group - 1 Component Parts for Mopar Accessories

Illustration Title	Group-Fig. No.
Audio & Electronics	
Player Kit - CD Changer - 12 Disc	Fig. 1 - 112
Carriers & Cargo Hauling	
Bike Carrier - Hitch Mount	Fig. 1 - 210
Bike Carrier - Roof Mount	Fig. 1 - 215
Carrier Kit - Canoe	Fig. 1 - 220
Carrier Kit - Water Sports	Fig. 1 - 222
Ski Carrier - Hitch Mount	Fig. 1 - 230
Carrier Kit - Ski (Two Pair)	Fig. 1 - 232
Carrier Kit - Ski (Four Pair)	Fig. 1 - 234
Tire Carrier - Roof Mount	Fig. 1 - 240
Luggage Rack Package, Roof	Fig. 1 - 260
Utility Bar Package - Roof	Fig. 1 - 262
Carrier Kit - Multipurpose	Fig. 1 - 270
Carrier Kit - Basket Type	Fig. 1 - 272
Luggage Carrier - Roof Mount	Fig. 1 - 274
Trailer Tow Kit	Fig. 1 - 280
Wiring Kit - Trailer Tow	Fig. 1 - 285
Cooler Kit - Transmission Oil	Fig. 1 - 290
Driving Convenience	
Mounting Kit - Cellular Phone	Fig. 1 - 310
Exterior Appearance	
Step Kit - Side	Fig. 1 - 410
Exterior Protection	
Shield Kit	Fig. 1 - 510
Skid Plate - Front	Fig. 1 - 520
Skid Plate - Transfer Case	Fig. 1 - 522
Skid Plate - Fuel Tank	Fig. 1 - 524
Fog Lights & Electrical	
Light Package - Fog	Fig. 1 - 610
Installation Kit - Fog Lamp	Fig. 1 - 616
Heater Kit	Fig. 1 - 620
Security	
Alarm - EVS Base System	Fig. 1 - 910
Alarm - EVS Plus System	Fig. 1 - 915
4 - Wheeling & Off Road	
Guard - Rock Rails	Fig. 1 - 1020
Winch Kit - Power	Fig. 1 - 1030

**Player Kit - CD Changer - 12 Disc
Figure 1-112**



ITEM	PART NUMBER	QTY	LINE	SERIES	BODY	ENGINE	TRANS	TRIM	DESCRIPTION
1	82204730	1	J, T		72, 74				PLAYER KIT, CD Changer - 12 Disc
2	05013804AA	1	J, T		72, 74				MODULATOR, FM
-3	05013800AA	1	J, T		72, 74				HARDWARE KIT, Mounting
4	05013806AA	1	J, T		72, 74				CHANGER, CD
5	05013802AA	1	J, T		72, 74				CONTROLLER, CD Wireless
6	05013805AA	1	J, T		72, 74				MAGAZINE, CD Changer
7	05013803AA	1	J, T		72, 74				CONTROLLER, CD Wired
8	04465117	1	J, T		72, 74				ADAPTOR, A/C
9	05013801AA	1	J, T		72, 74				DIN CORD, CD Player, 5 Meter

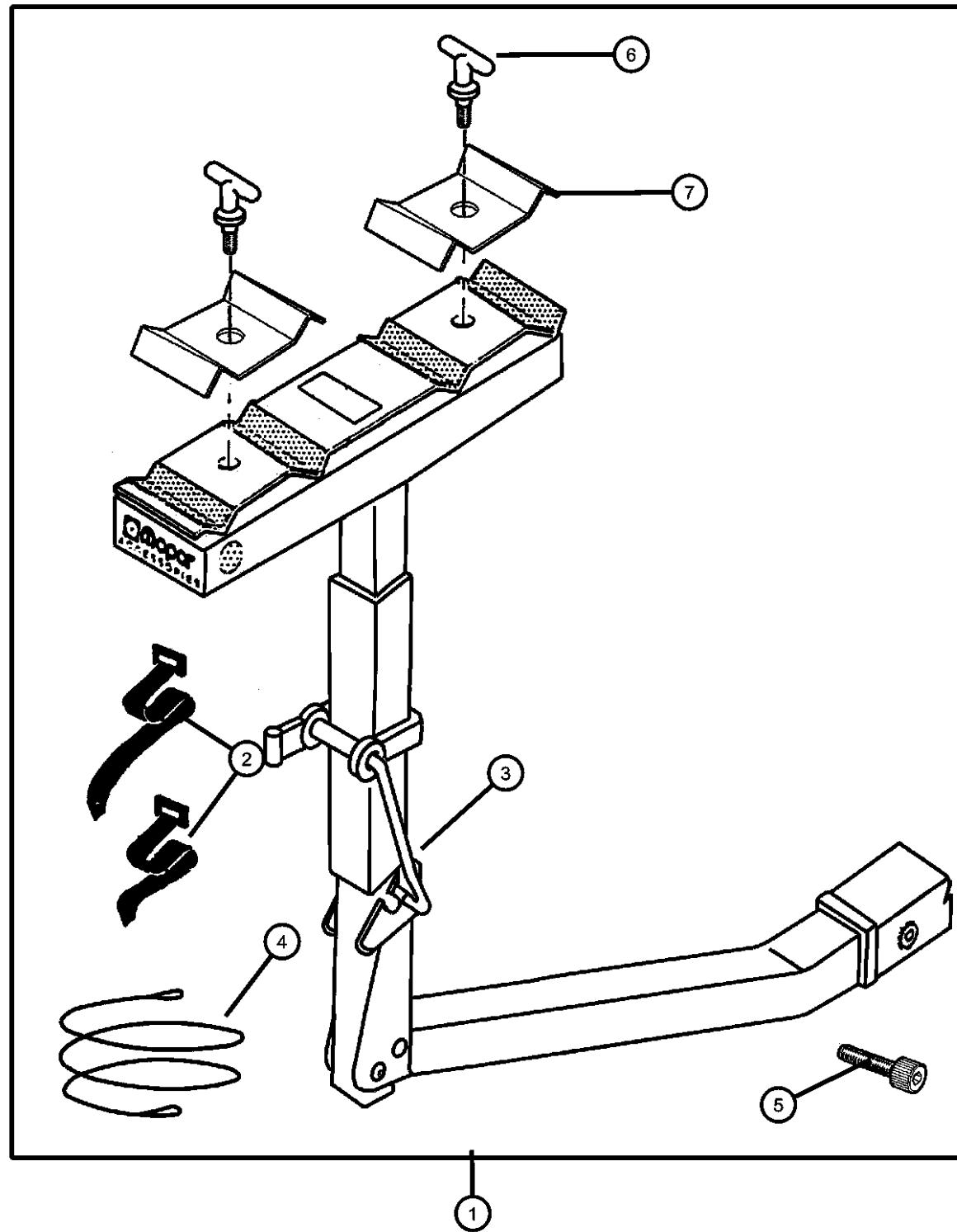
NOTE: For radio without CD controls. Pentastar Logo, Includes RF Modulator, Power Cord, Din Cord, Hand Held and IR Remote Controller and

CHEROKEE (XJ)

SERIES	LINE	BODY	ENGINE	TRANSMISSION
H = Sport	T = JEEP - 2WD	74 = 4 Dr (101.4WB)	ENC = ENGINE - 2.5L 4 CYL TURBO DIESEL	DDD = TRANSMISSION - 5-SPEED HD MANUAL
L = SE	B = JEEP - 2WD (RHD)	72 = 2 Dr (101.4WB)	EPE = ENGINE - 2.5L POWER TECH I-4 Cyl.	DDQ = TRANSMISSION - 5-SPEED MANUAL
P = Classic	J = JEEP - 4WD		ERH = ENGINE - 4.0L POWER TECH I-6	DGD = TRANSMISSION - 3-SPD. AUTOMATIC,30RH
S = Limited	U = JEEP - 4WD (RHD)			DGK = TRANSMISSION - 4-SPD. AUTOMATIC,42RE
				DGS = TRANSMISSION-4SPD. AUTO,AISIN WARNER
				DGT = TRANSMISSION - 4-SPD. AUTOMATIC,46RE
				DGW = TRANSMISSION - 4-SPD. AUTOMATIC,44RE
				DGX = TRANSMISSION - 4-SPEED AUTOMATIC
				DBB = ALL MANUAL TRANSMISSIONS
				DGO = ALL AUTOMATIC TRANSMISSIONS

AR = use ase required - = Non illustrated part

Bike Carrier - Hitch Mount
Figure 1-210



ITEM	PART NUMBER	QTY	LINE	SERIES	BODY	ENGINE	TRANS	TRIM	DESCRIPTION
1									CARRIER KIT, Bike, 2 inch hitch opening
	82204328	1	J, T		72, 74				Four Bike
	82204453	1	J, T		72, 74				Two Bike
2	04762880	1							STRAP KIT, Velcro, Consists of: 1-Long and 1-Short
3	05016775AA	1	J, T		74				STRAP KIT, Bike Carrier Latch, Consists of: Two- Rubber Straps
4	04762882	1							LOCK KIT, Bike Carrier Handle
5	05016776AA	1	J, T		72, 74				BOLT KIT, Security
6	05016610AA	1	J, T		72, 74				HARDWARE KIT, Accessory, T-Handle
7	05016657AA	1	J, T		72, 74				HARDWARE KIT, Accessory, Top Clamp - 82204328 uses 2 Total

CHEROKEE (XJ)

SERIES	LINE
H = Sport	T = JEEP - 2WD
L = SE	B = JEEP - 2WD (RHD)
P = Classic	J = JEEP - 4WD
S = Limited	U = JEEP - 4WD (RHD)

BODY
74 = 4 Dr (101.4WB)
72 = 2 Dr (101.4WB)

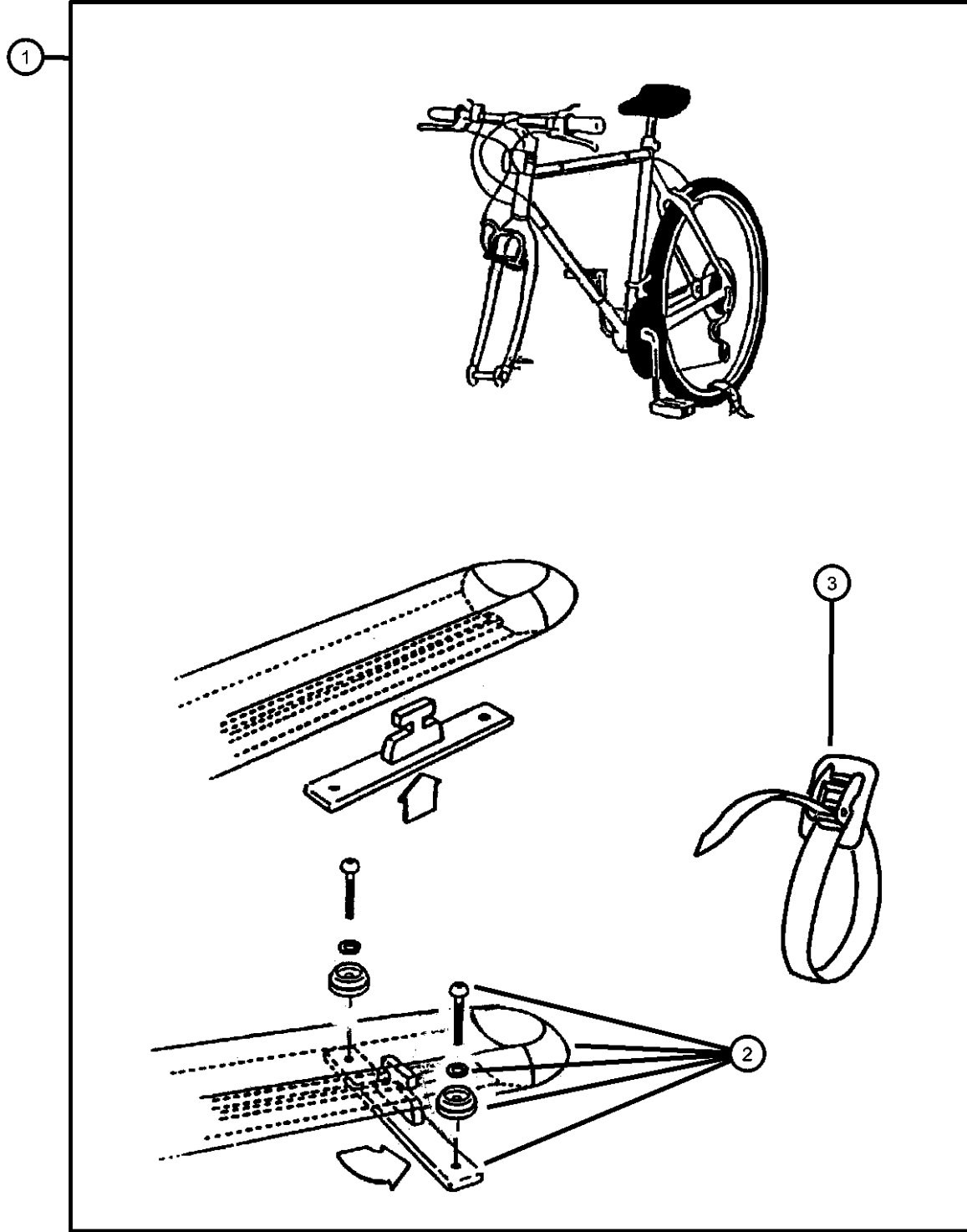
ENGINE
ENC = ENGINE - 2.5L 4 CYL TURBO DIESEL
EPE = ENGINE - 2.5L POWER TECH I-4 Cyl.
ERH = ENGINE - 4.0L POWER TECH I-6

TRANSMISSION
DDD = TRANSMISSION - 5-SPEED HD MANUAL
DDQ = TRANSMISSION - 5-SPEED MANUAL
DGD = TRANSMISSION - 3-SPD. AUTOMATIC,30RH
DGK = TRANSMISSION - 4-SPD. AUTOMATIC,42RE
DGS = TRANSMISSION-4SPD. AUTO,AISIN WARNER
DGT = TRANSMISSION - 4-SPD. AUTOMATIC,46RE
DGW = TRANSMISSION - 4-SPD. AUTOMATIC,44RE
DGX = TRANSMISSION - 4-SPEED AUTOMATIC
DBB = ALL MANUAL TRANSMISSIONS
DGO = ALL AUTOMATIC TRANSMISSIONS

AR = use ase required - = Non illustrated part

Bike Carrier - Roof Mount
Figure 1-215

ITEM	PART NUMBER	QTY	LINE	SERIES	BODY	ENGINE	TRANS	TRIM	DESCRIPTION
------	-------------	-----	------	--------	------	--------	-------	------	-------------



NOTE: Hardware Kit also contained in Carrier Kit.
NOTE: Carrier Kit has Upright Clamp for bike.

1	82300585	1	J, T		72, 74				
2	05016512AA	1	J, T		72, 74				
3	05016513AA	1	J, T		72, 74				

CARRIER KIT, Bike, Fork - Mount
HARDWARE KIT, Accessory,
Consists of:2 T-Slot Bars,
4 Round Dome Washers, 4
M6X1.0X16MM Machine Screws, 2
M6 Lockwashers
STRAP, Cargo Tie Down, Consists
of ; 2 Straps for securing the tire(s)
onto the rack.NOTE: 82300585
only needs one strap but will
receive 2 in this kit.

CHEROKEE (XJ)

SERIES	LINE	BODY	ENGINE	TRANSMISSION
H = Sport	T = JEEP - 2WD	74 = 4 Dr (101.4WB)	ENC = ENGINE - 2.5L 4 CYL TURBO DIESEL	DDD = TRANSMISSION - 5-SPEED HD MANUAL
L = SE	B = JEEP - 2WD (RHD)	72 = 2 Dr (101.4WB)	EPE = ENGINE - 2.5L POWER TECH I-4 Cyl.	DDQ = TRANSMISSION - 5-SPEED MANUAL
P = Classic	J = JEEP - 4WD		ERH = ENGINE - 4.0L POWER TECH I-6	DGD = TRANSMISSION - 3-SPD. AUTOMATIC,30RH
S = Limited	U = JEEP - 4WD (RHD)			DGK = TRANSMISSION - 4-SPD. AUTOMATIC,42RE
				DGS = TRANSMISSION-4SPD. AUTO,AISIN WARNER
				DGT = TRANSMISSION - 4-SPD. AUTOMATIC,46RE
				DGW = TRANSMISSION - 4-SPD. AUTOMATIC,44RE
				DGX = TRANSMISSION - 4-SPEED AUTOMATIC
				DBB = ALL MANUAL TRANSMISSIONS
				DGO = ALL AUTOMATIC TRANSMISSIONS

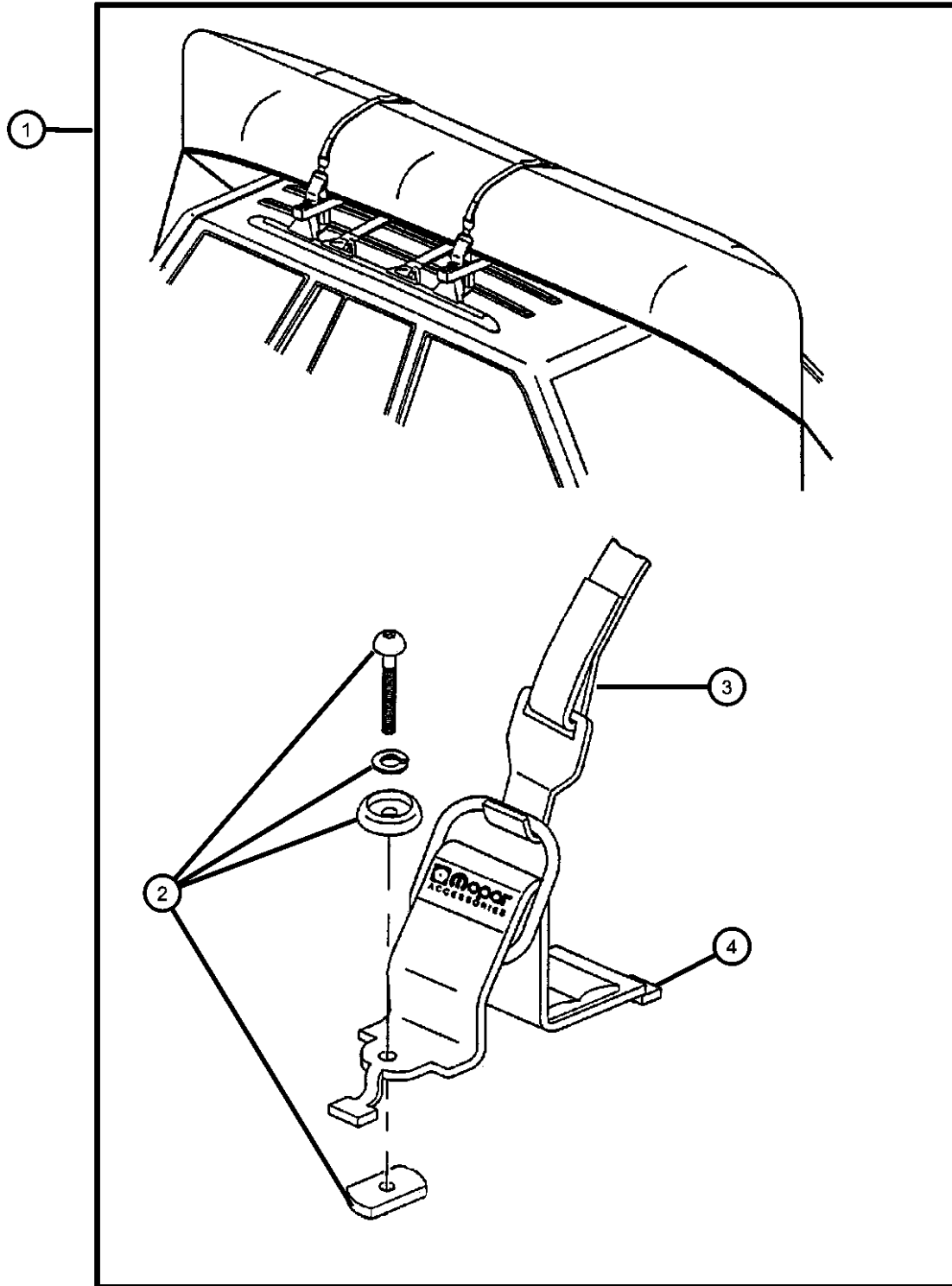
AR = use ase required - = Non illustrated part

Carrier Kit - Canoe
Figure 1-220

ITEM	PART NUMBER	QTY	LINE	SERIES	BODY	ENGINE	TRANS	TRIM	DESCRIPTION
------	-------------	-----	------	--------	------	--------	-------	------	-------------

NOTE: Use only with Sport Utility Bar
 NOTE: Hardware Kit also contained in Carrier Kit

1	82204700	1	J, T		72, 74				CARRIER KIT, Water Sports
2	05016389AA	1	J, T		72, 74				HARDWARE KIT, Accessory, Consists of: 4-25MM Button Head Screws, 4-30MM Button Head Screws, 4 Lock Washers, 4 Dome Washers, 4 T-Nuts
3	05016511AA	1	J, T		72, 74				STRAP, Cargo Tie Down
4	05016510AA	1	J, T		72, 74				BRACKET, Cargo Tie Down



CHEROKEE (XJ)

SERIES	LINE
H = Sport	T = JEEP - 2WD
L = SE	B = JEEP - 2WD (RHD)
P = Classic	J = JEEP - 4WD
S = Limited	U = JEEP - 4WD (RHD)

BODY
74 = 4 Dr (101.4WB)
72 = 2 Dr (101.4WB)

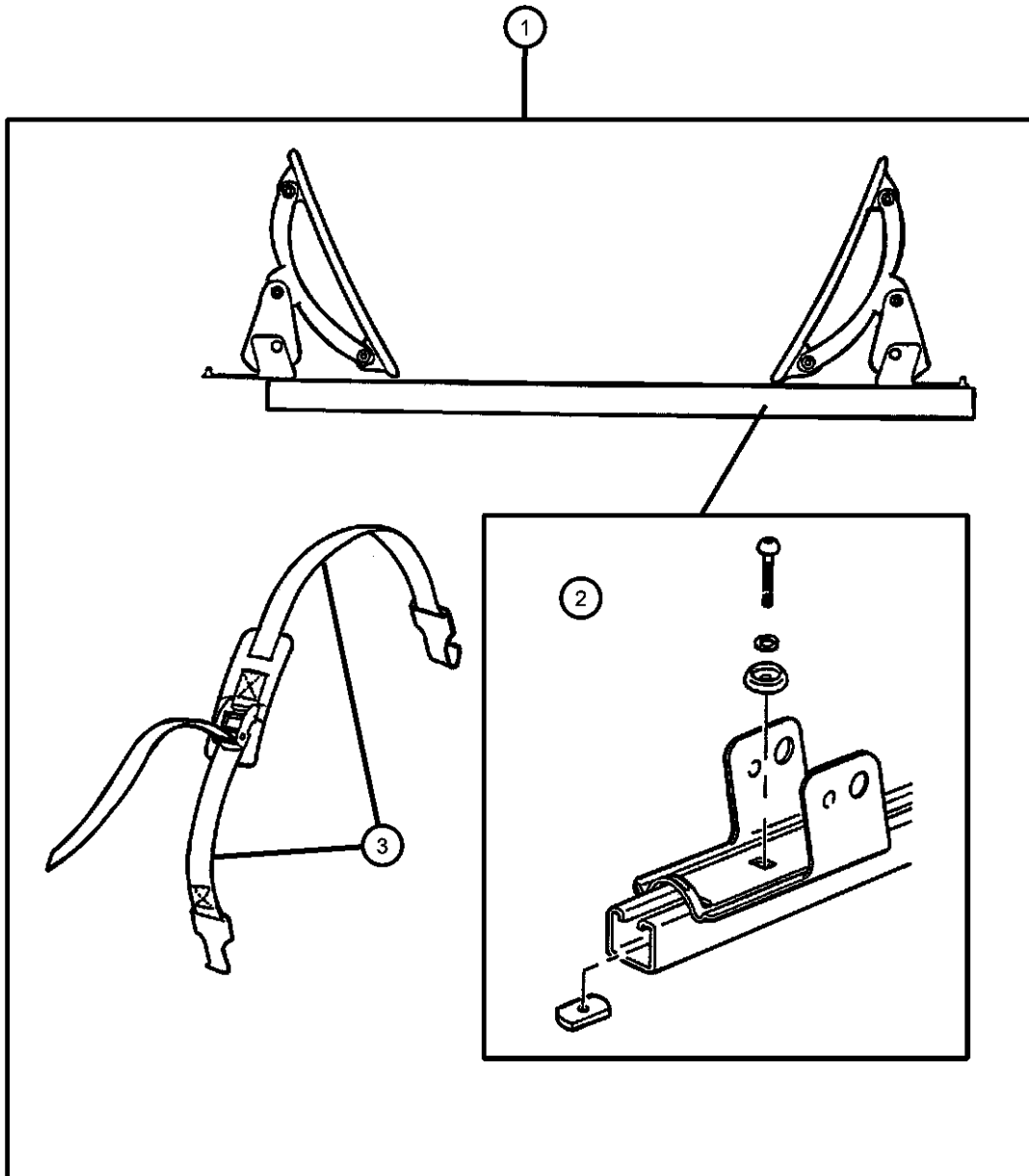
ENGINE
ENC = ENGINE - 2.5L 4 CYL TURBO DIESEL
EPE = ENGINE - 2.5L POWER TECH I-4 Cyl.
ERH = ENGINE - 4.0L POWER TECH I-6

TRANSMISSION
DDD = TRANSMISSION - 5-SPEED HD MANUAL
DDQ = TRANSMISSION - 5-SPEED MANUAL
DGD = TRANSMISSION - 3-SPD. AUTOMATIC,30RH
DGK = TRANSMISSION - 4-SPD. AUTOMATIC,42RE
DGS = TRANSMISSION-4SPD. AUTO,AISIN WARNER
DGT = TRANSMISSION - 4-SPD. AUTOMATIC,46RE
DGW = TRANSMISSION - 4-SPD. AUTOMATIC,44RE
DGX = TRANSMISSION - 4-SPEED AUTOMATIC
DBB = ALL MANUAL TRANSMISSIONS
DGO = ALL AUTOMATIC TRANSMISSIONS

AR = use ase required - = Non illustrated part

2000 XJ

Carrier Kit - Water Sports
Figure 1-222



ITEM	PART NUMBER	QTY	LINE	SERIES	BODY	ENGINE	TRANS	TRIM	DESCRIPTION
1	82204701	1	J, T		72, 74				CARRIER KIT, Water Sports
2	05016389AA	1	J, T		72, 74				HARDWARE KIT, Accessory, Consists of: 4-25 MM Button Head Screws, 4-30MM Button Head Screws, 4- Dome Washers, 4- Rubber Washers and 4- T-Nuts
3	05016511AA	1	J, T		72, 74				STRAP, Cargo Tie Down

CHEROKEE (XJ)

SERIES
H = Sport
L = SE
P = Classic
S = Limited

LINE
T = JEEP - 2WD
B = JEEP - 2WD (RHD)
J = JEEP - 4WD
U = JEEP - 4WD (RHD)

BODY
74 = 4 Dr (101.4WB)
72 = 2 Dr (101.4WB)

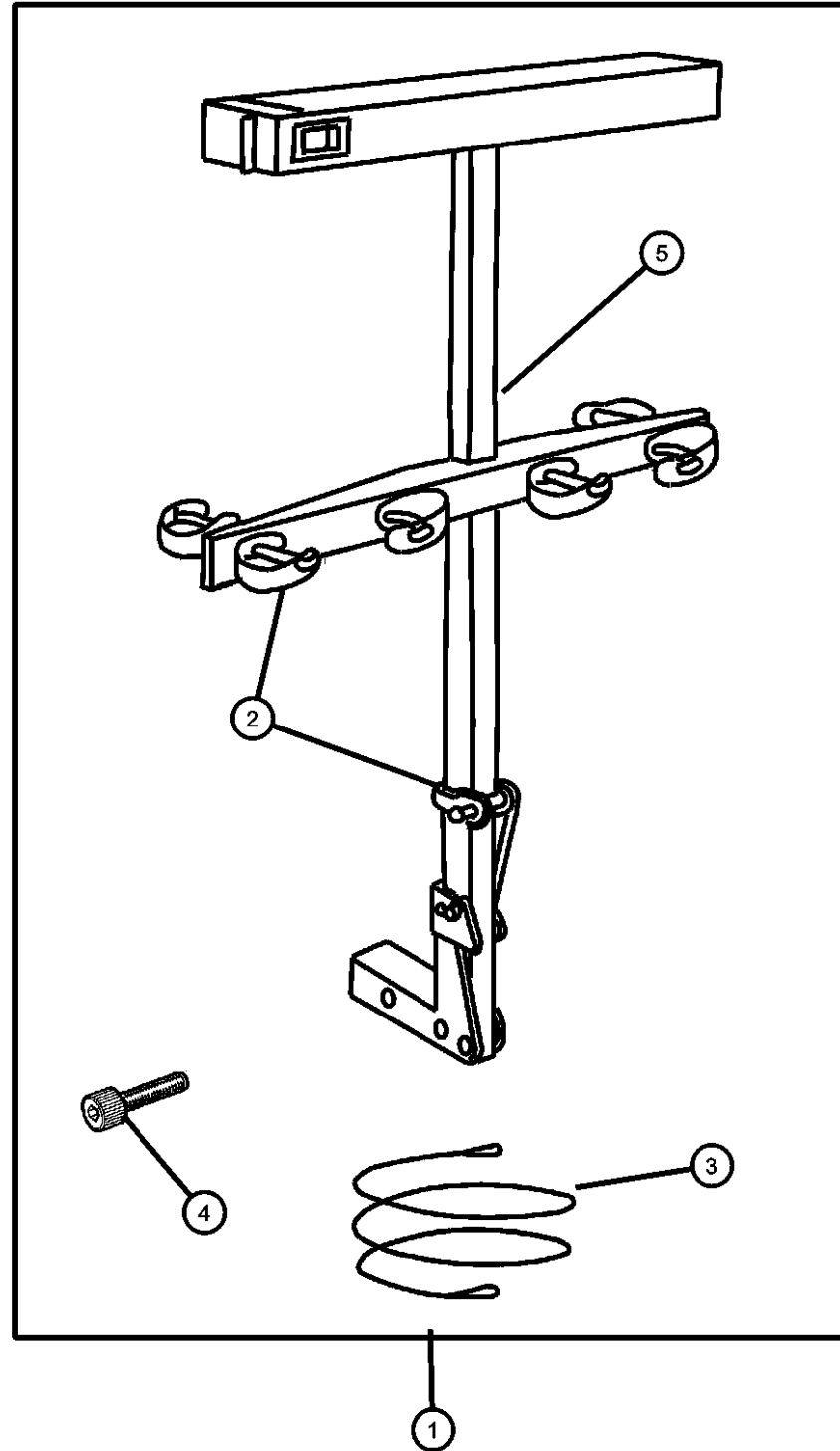
ENGINE
ENC = ENGINE - 2.5L 4 CYL
TURBO DIESEL
EPE = ENGINE - 2.5L POWER
TECH I-4 Cyl.
ERH = ENGINE - 4.0L
POWER TECH I-6

TRANSMISSION
DDD = TRANSMISSION - 5-SPEED
HD MANUAL
DDQ = TRANSMISSION - 5-SPEED
MANUAL
DGD = TRANSMISSION - 3-SPD.
AUTOMATIC,30RH
DGK = TRANSMISSION - 4-SPD.
AUTOMATIC,42RE
DGS = TRANSMISSION-4SPD.
AUTO,AISIN WARNER
DGT = TRANSMISSION - 4-SPD.
AUTOMATIC,46RE
DGW = TRANSMISSION - 4-SPD.
AUTOMATIC,44RE
DGX = TRANSMISSION - 4-SPEED
AUTOMATIC
DBB = ALL MANUAL
TRANSMISSIONS
DGO = ALL AUTOMATIC
TRANSMISSIONS

AR = use ase required - = Non illustrated part

2000 XJ

Ski Carrier - Hitch Mount
Figure 1-230



ITEM	PART NUMBER	QTY	LINE	SERIES	BODY	ENGINE	TRANS	TRIM	DESCRIPTION
1	82204454	1	J, T		72, 74				CARRIER KIT, Ski - 4 Pair
2	04762881	1	J, T		72, 74				STRAP KIT, Bike Carrier Latch, Consists of: 2 - Rubber Straps
3	04762882	1	J, T		72, 74				LOCK KIT, Bike Carrier Handle
4	05016774AA	1	J, T		72, 74				BOLT KIT, Security, Consists of: 1- Security Bolt, 1- Security Wrench, 1- Washer, 1- Nut.
5	05016610AA	1	J, T		72, 74				HARDWARE KIT, Accessory

CHEROKEE (XJ)

SERIES	LINE
H = Sport	T = JEEP - 2WD
L = SE	B = JEEP - 2WD (RHD)
P = Classic	J = JEEP - 4WD
S = Limited	U = JEEP - 4WD (RHD)

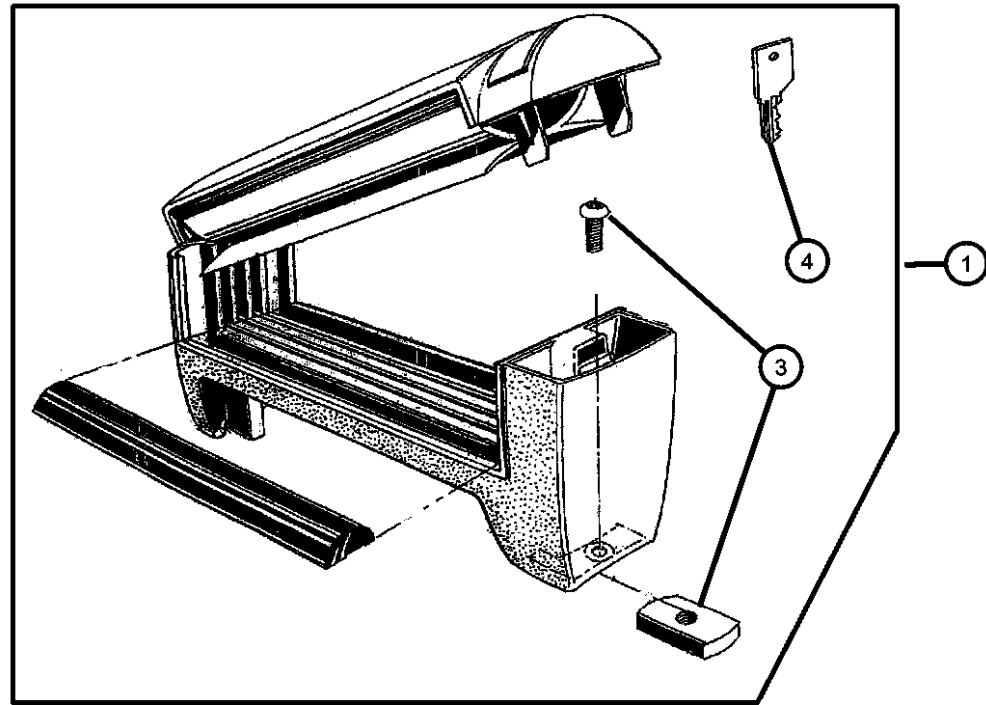
BODY
74 = 4 Dr (101.4WB)
72 = 2 Dr (101.4WB)

ENGINE
ENC = ENGINE - 2.5L 4 CYL TURBO DIESEL
EPE = ENGINE - 2.5L POWER TECH I-4 Cyl.
ERH = ENGINE - 4.0L POWER TECH I-6

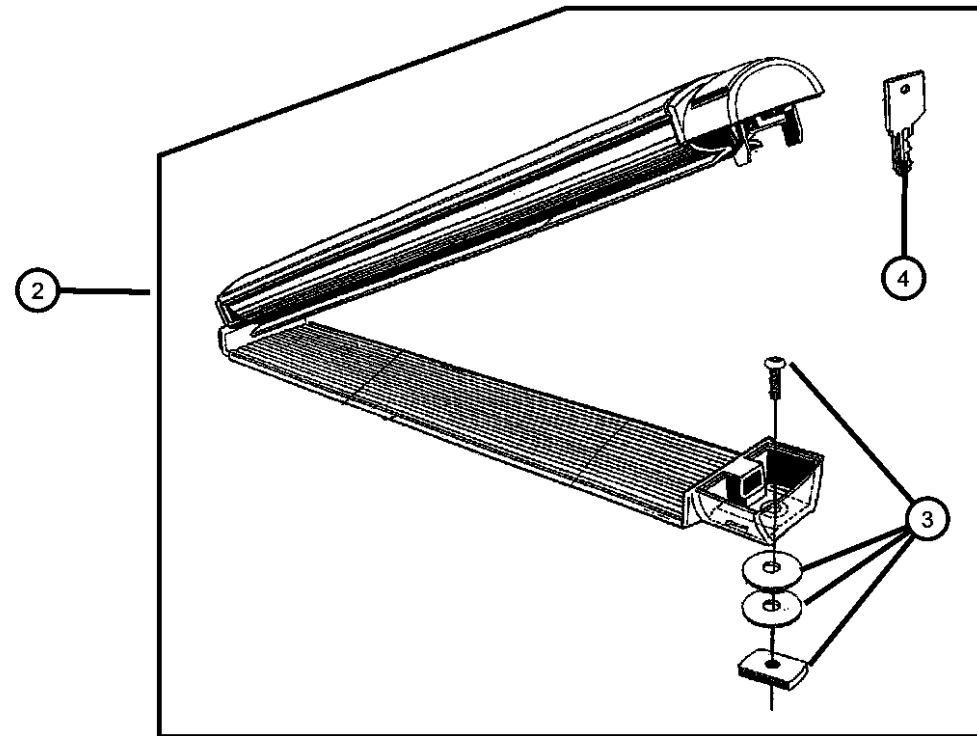
TRANSMISSION
DDD = TRANSMISSION - 5-SPEED HD MANUAL
DDQ = TRANSMISSION - 5-SPEED MANUAL
DGD = TRANSMISSION - 3-SPD. AUTOMATIC,30RH
DGK = TRANSMISSION - 4-SPD. AUTOMATIC,42RE
DGS = TRANSMISSION-4SPD. AUTO,AISIN WARNER
DGT = TRANSMISSION - 4-SPD. AUTOMATIC,46RE
DGW = TRANSMISSION - 4-SPD. AUTOMATIC,44RE
DGX = TRANSMISSION - 4-SPEED AUTOMATIC
DBB = ALL MANUAL TRANSMISSIONS
DGO = ALL AUTOMATIC TRANSMISSIONS

AR = use ase required - = Non illustrated part

Carrier Kit - Ski (Two Pair)
Figure 1-232



ITEM	PART NUMBER	QTY	LINE	SERIES	BODY	ENGINE	TRANS	TRIM	DESCRIPTION
1	82203474	1							CARRIER KIT, Ski - 2 Pair, High Mount
2	82203472	1							CARRIER KIT, Ski
3									HARDWARE KIT, Mounting High Mount
	05018389AA	1							
	05019077AA	1							
4	05019077AA	1							KEY, Master, (NOT SERVICED)
-5	05016513AA	1							STRAP, Cargo Tie Down, Use with 2 Pair



CHEROKEE (XJ)

SERIES	LINE
H = Sport	T = JEEP - 2WD
L = SE	B = JEEP - 2WD (RHD)
P = Classic	J = JEEP - 4WD
S = Limited	U = JEEP - 4WD (RHD)

BODY
74 = 4 Dr (101.4WB)
72 = 2 Dr (101.4WB)

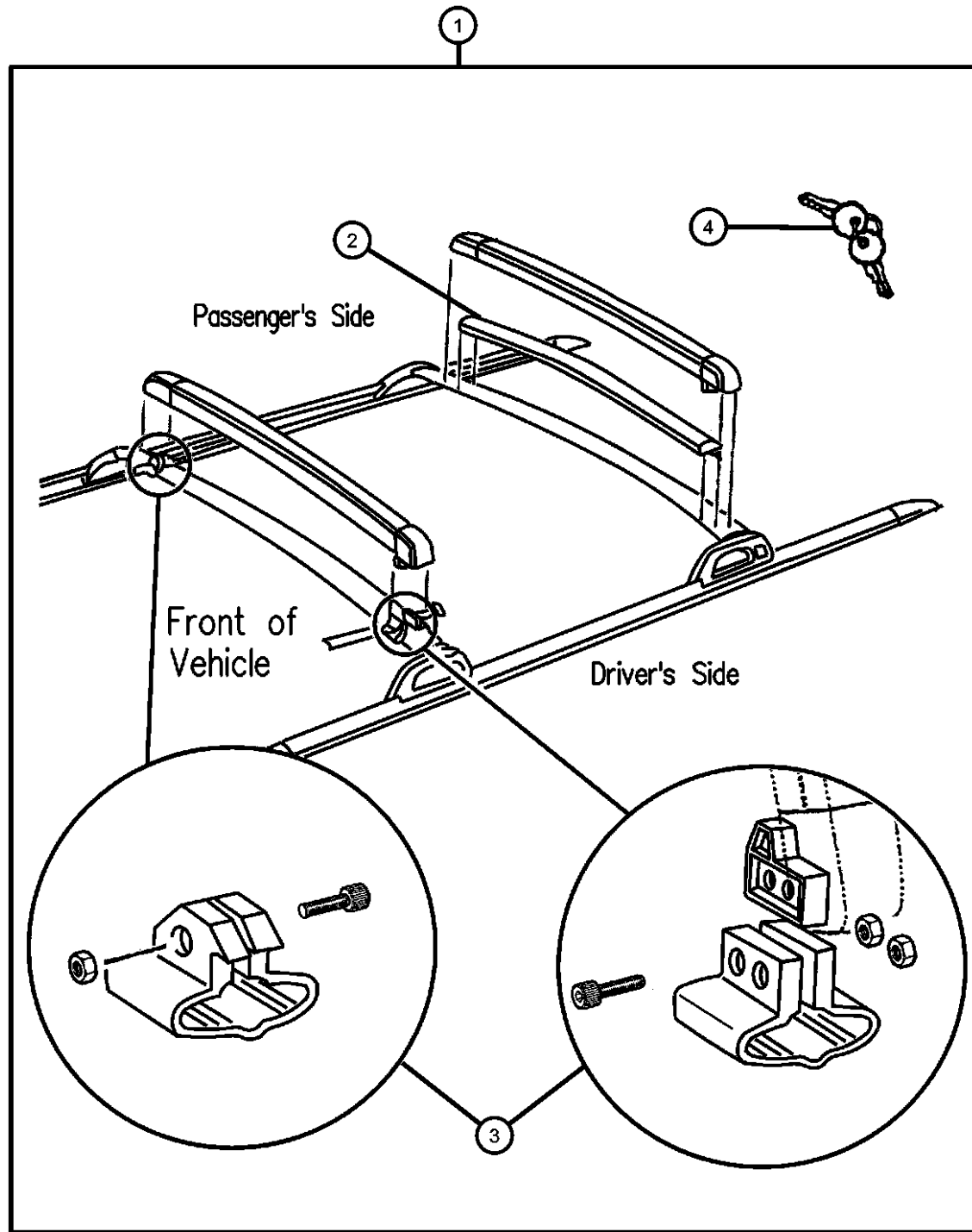
ENGINE
ENC = ENGINE - 2.5L 4 CYL TURBO DIESEL
EPE = ENGINE - 2.5L POWER TECH I-4 Cyl.
ERH = ENGINE - 4.0L POWER TECH I-6

TRANSMISSION
DDD = TRANSMISSION - 5-SPEED HD MANUAL
DDQ = TRANSMISSION - 5-SPEED MANUAL
DGD = TRANSMISSION - 3-SPD. AUTOMATIC,30RH
DGK = TRANSMISSION - 4-SPD. AUTOMATIC,42RE
DGS = TRANSMISSION-4SPD. AUTO,AISIN WARNER
DGT = TRANSMISSION - 4-SPD. AUTOMATIC,46RE
DGW = TRANSMISSION - 4-SPD. AUTOMATIC,44RE
DGX = TRANSMISSION - 4-SPEED AUTOMATIC
DBB = ALL MANUAL TRANSMISSIONS
DGO = ALL AUTOMATIC TRANSMISSIONS

AR = use ase required - = Non illustrated part

Carrier Kit - Ski (Four Pair)
Figure 1-234

ITEM	PART NUMBER	QTY	LINE	SERIES	BODY	ENGINE	TRANS	TRIM	DESCRIPTION
1	82204101	1	J, T		72, 74				CARRIER KIT, Ski - 4 Pair
2	04797617	1	J, T		72, 74				PAD, Crossbar, Comes in 36 Inches - Cut to Size.
3	04797618	1							HARDWARE KIT, Accessory
4	04796058	1	J, T		72, 74				LOCK KIT, Carrier, Consists of: 2 Lock Assy. with Keys and 2- Clips



CHEROKEE (XJ)

SERIES	LINE
H = Sport	T = JEEP - 2WD
L = SE	B = JEEP - 2WD (RHD)
P = Classic	J = JEEP - 4WD
S = Limited	U = JEEP - 4WD (RHD)

BODY
74 = 4 Dr (101.4WB)
72 = 2 Dr (101.4WB)

ENGINE
ENC = ENGINE - 2.5L 4 CYL TURBO DIESEL
EPE = ENGINE - 2.5L POWER TECH I-4 Cyl.
ERH = ENGINE - 4.0L POWER TECH I-6

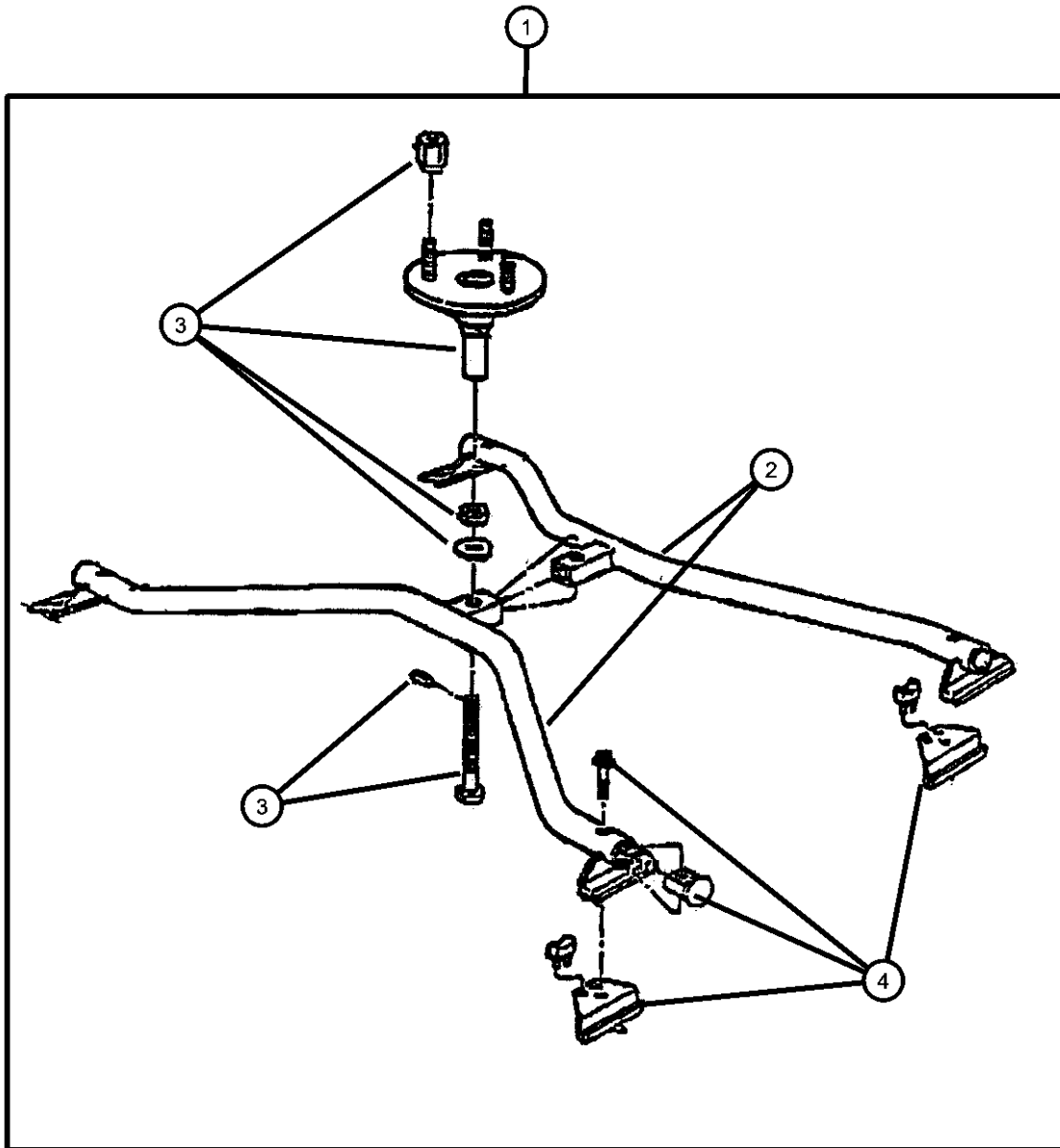
TRANSMISSION
DDD = TRANSMISSION - 5-SPEED HD MANUAL
DDQ = TRANSMISSION - 5-SPEED MANUAL
DGD = TRANSMISSION - 3-SPD. AUTOMATIC,30RH
DGK = TRANSMISSION - 4-SPD. AUTOMATIC,42RE
DGS = TRANSMISSION-4SPD. AUTO,AISIN WARNER
DGT = TRANSMISSION - 4-SPD. AUTOMATIC,46RE
DGW = TRANSMISSION - 4-SPD. AUTOMATIC,44RE
DGX = TRANSMISSION - 4-SPEED AUTOMATIC
DBB = ALL MANUAL TRANSMISSIONS
DGO = ALL AUTOMATIC TRANSMISSIONS

AR = use ase required - = Non illustrated part

2000 XJ

Tire Carrier - Roof Mount
Figure 1-240

ITEM	PART NUMBER	QTY	LINE	SERIES	BODY	ENGINE	TRANS	TRIM	DESCRIPTION
1	82203257	1	J, T		72, 74				CARRIER KIT, Tire-Roof Rack Mount
2	82203257	1							FRAME, Serviced in Assembly, (NOT SERVICED)
3	05019304AA	1	J, T		72, 74				HARDWARE KIT, Tire-Roof Rack Mount, Tire to Carrier
4	05019305AA	1	J, T		72, 74				HARDWARE KIT, Tire-Roof Rack Mount, Carrier to Roof Rack



CHEROKEE (XJ)

SERIES

H = Sport
L = SE
P = Classic
S = Limited

LINE

T = JEEP - 2WD
B = JEEP - 2WD (RHD)
J = JEEP - 4WD
U = JEEP - 4WD (RHD)

BODY

74 = 4 Dr (101.4WB)
72 = 2 Dr (101.4WB)

ENGINE

ENC = ENGINE - 2.5L 4 CYL TURBO DIESEL
EPE = ENGINE - 2.5L POWER TECH I-4 Cyl.
ERH = ENGINE - 4.0L POWER TECH I-6

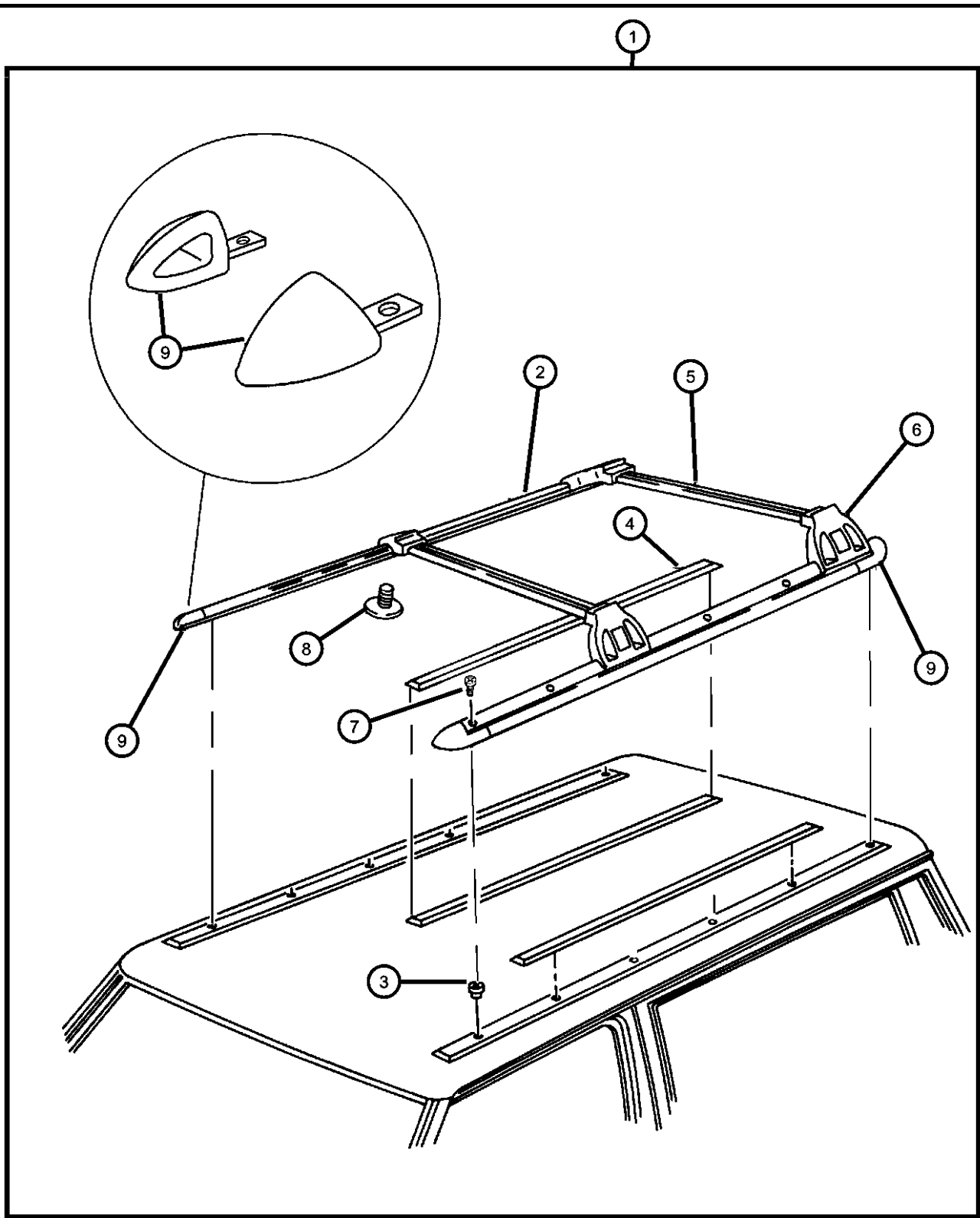
TRANSMISSION

DDD = TRANSMISSION - 5-SPEED HD MANUAL
DDQ = TRANSMISSION - 5-SPEED MANUAL
DGD = TRANSMISSION - 3-SPD. AUTOMATIC,30RH
DGK = TRANSMISSION - 4-SPD. AUTOMATIC,42RE
DGS = TRANSMISSION-4SPD. AUTO,AISIN WARNER
DGT = TRANSMISSION - 4-SPD. AUTOMATIC,46RE
DGW = TRANSMISSION - 4-SPD. AUTOMATIC,44RE
DGX = TRANSMISSION - 4-SPEED AUTOMATIC
DBB = ALL MANUAL TRANSMISSIONS
DGO = ALL AUTOMATIC TRANSMISSIONS

AR = use ase required - = Non illustrated part

2000 XJ

Luggage Rack Package, Roof
Figure 1-260



ITEM	PART NUMBER	QTY	LINE	SERIES	BODY	ENGINE	TRANS	TRIM	DESCRIPTION
1	82206323	1							RACK KIT, Roof
2	55235999AA	2							RAIL, Luggage Rack Side
3	06503910	10							NUT
4	55075106AB	4							SKID STRIP, Roof Rack
5	55235978AA	2							CROSS BAR, Roof Rack
6									STANCHION, LUGG RACK CROSS RAIL
	55076028AB	2							Right
	55076029AB	2							Left
7	06505937AA	10							SCREW, Pan Head
8	06035499	4							SCREW, Pan Head Tapping, .242-10x.625
9									CAP, Side Rail
	55236002AA	2							Right
	55236003AA	2							Left

CHEROKEE (XJ)

SERIES	LINE
H = Sport	T = JEEP - 2WD
L = SE	B = JEEP - 2WD (RHD)
P = Classic	J = JEEP - 4WD
S = Limited	U = JEEP - 4WD (RHD)

BODY
74 = 4 Dr (101.4WB)
72 = 2 Dr (101.4WB)

ENGINE
ENC = ENGINE - 2.5L 4 CYL TURBO DIESEL
EPE = ENGINE - 2.5L POWER TECH I-4 Cyl.
ERH = ENGINE - 4.0L POWER TECH I-6

TRANSMISSION
DDD = TRANSMISSION - 5-SPEED HD MANUAL
DDQ = TRANSMISSION - 5-SPEED MANUAL
DGD = TRANSMISSION - 3-SPD. AUTOMATIC,30RH
DGK = TRANSMISSION - 4-SPD. AUTOMATIC,42RE
DGS = TRANSMISSION-4SPD. AUTO,AISIN WARNER
DGT = TRANSMISSION - 4-SPD. AUTOMATIC,46RE
DGW = TRANSMISSION - 4-SPD. AUTOMATIC,44RE
DGX = TRANSMISSION - 4-SPEED AUTOMATIC
DBB = ALL MANUAL TRANSMISSIONS
DGO = ALL AUTOMATIC TRANSMISSIONS

AR = use ase required - = Non illustrated part

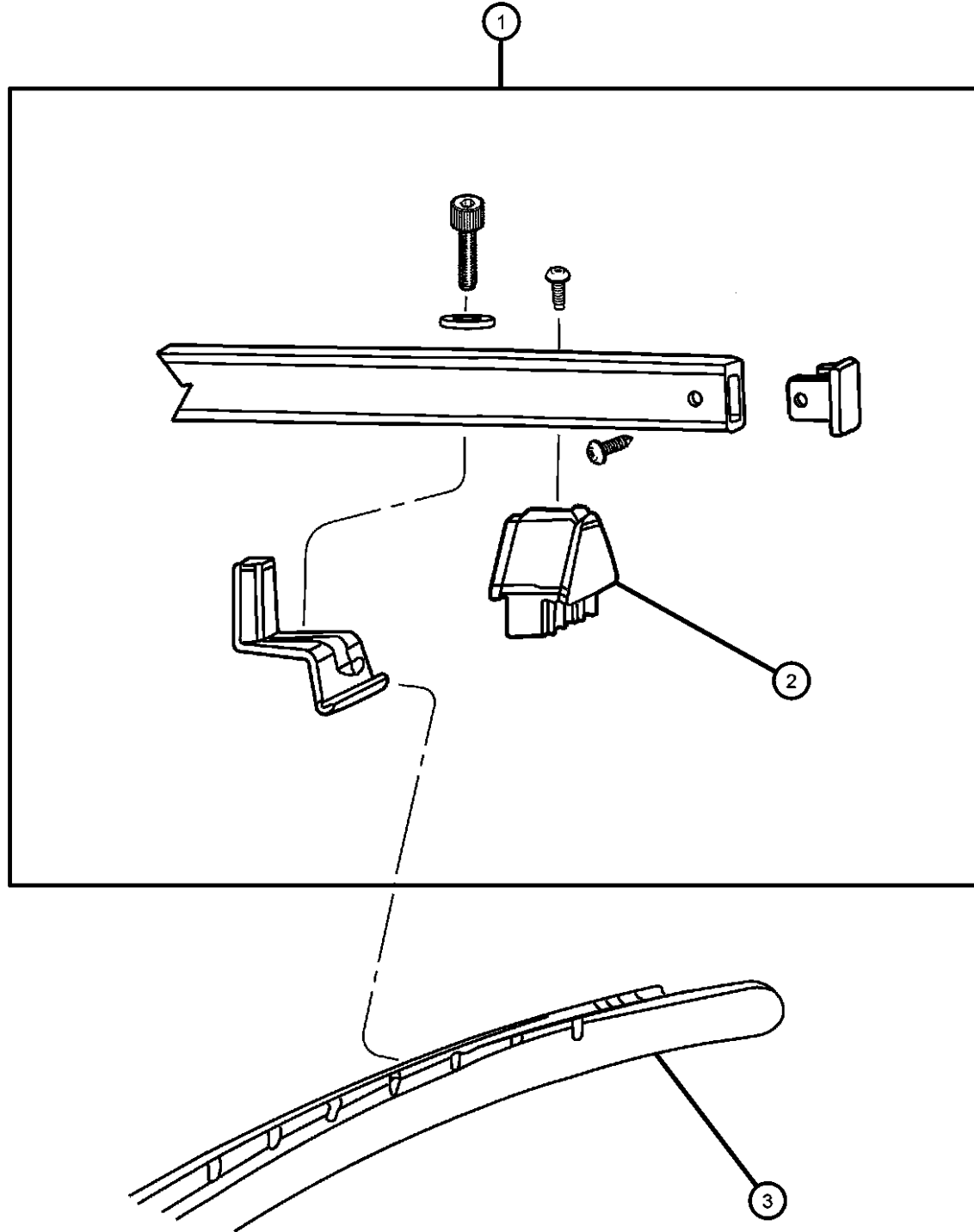
2000 XJ

Utility Bar Package - Roof
Figure 1-262

ITEM	PART NUMBER	QTY	LINE	SERIES	BODY	ENGINE	TRANS	TRIM	DESCRIPTION
------	-------------	-----	------	--------	------	--------	-------	------	-------------

Note: Utility type rack, used with other roof top accessories.

1	82203447	1	J, T		72, 74				RACK KIT, Sport - Rail Mount
2	05066452AA	1	J, T		72, 74				SUPPORT, Roof Rack
3	55235999AA	2							RAIL, Luggage Rack Side, not serviced with this kit



CHEROKEE (XJ)

SERIES	LINE
H = Sport	T = JEEP - 2WD
L = SE	B = JEEP - 2WD (RHD)
P = Classic	J = JEEP - 4WD
S = Limited	U = JEEP - 4WD (RHD)

BODY
74 = 4 Dr (101.4WB)
72 = 2 Dr (101.4WB)

ENGINE	TRANSMISSION
ENC = ENGINE - 2.5L 4 CYL TURBO DIESEL	DDD = TRANSMISSION - 5-SPEED HD MANUAL
EPE = ENGINE - 2.5L POWER TECH I-4 Cyl.	DDQ = TRANSMISSION - 5-SPEED MANUAL
ERH = ENGINE - 4.0L POWER TECH I-6	DGD = TRANSMISSION - 3-SPD. AUTOMATIC,30RH
	DGK = TRANSMISSION - 4-SPD. AUTOMATIC,42RE
	DGS = TRANSMISSION-4SPD. AUTO,AISIN WARNER
	DGT = TRANSMISSION - 4-SPD. AUTOMATIC,46RE
	DGW = TRANSMISSION - 4-SPD. AUTOMATIC,44RE
	DGX = TRANSMISSION - 4-SPEED AUTOMATIC
	DBB = ALL MANUAL TRANSMISSIONS
	DGO = ALL AUTOMATIC TRANSMISSIONS

AR = use ase required - = Non illustrated part

2000 XJ

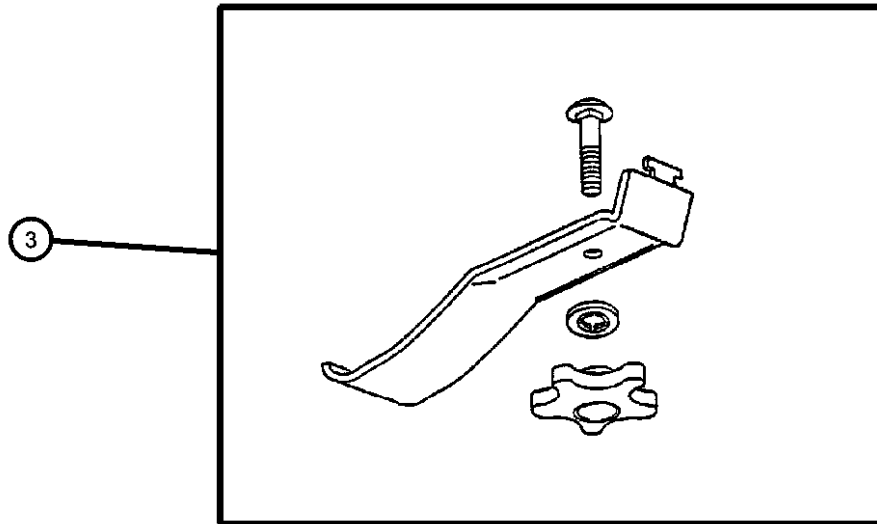
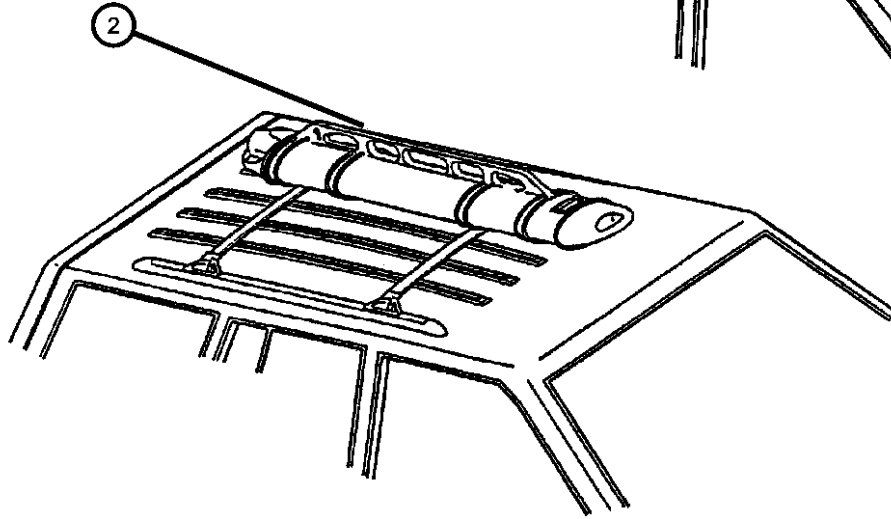
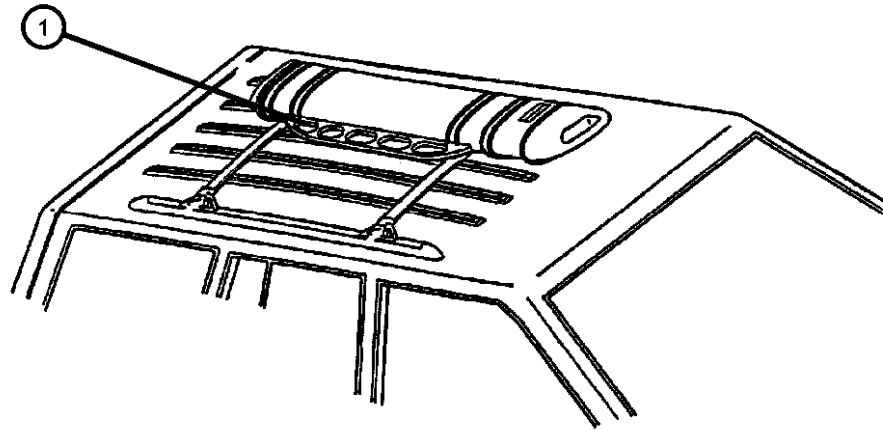
Carrier Kit - Multipurpose
Figure 1-270

ITEM	PART NUMBER	QTY	LINE	SERIES	BODY	ENGINE	TRANS	TRIM	DESCRIPTION
------	-------------	-----	------	--------	------	--------	-------	------	-------------

NOTE: Carrier Kits - Multipurpose: Skis or Fishing Pole
 Snow Board or Surfboard

NOTE: Hardware Kit also contained in Carrier Kit

1	82204699	1	J, T		72, 74				CARRIER KIT, Wind/Surf Boards
2	82204698	1	J, T		72, 74				CARRIER KIT, Ski
3	05016509AA	1	J, T		72, 74				HARDWARE KIT, Accessory, Consists of: 1- Carriage Bolt, 1-Retaining Knob, 1-Retaining Washer, 1- Attachment Bracket.
-4	05016617AA	1	J, T		72, 74				LOCK KIT, Carrier, 2 Locks supplied.



CHEROKEE (XJ)

SERIES	LINE
H = Sport	T = JEEP - 2WD
L = SE	B = JEEP - 2WD (RHD)
P = Classic	J = JEEP - 4WD
S = Limited	U = JEEP - 4WD (RHD)

BODY
74 = 4 Dr (101.4WB)
72 = 2 Dr (101.4WB)

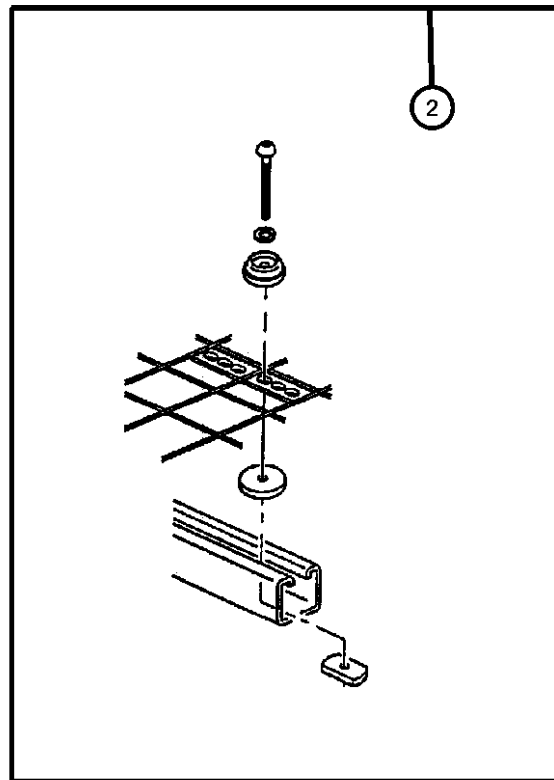
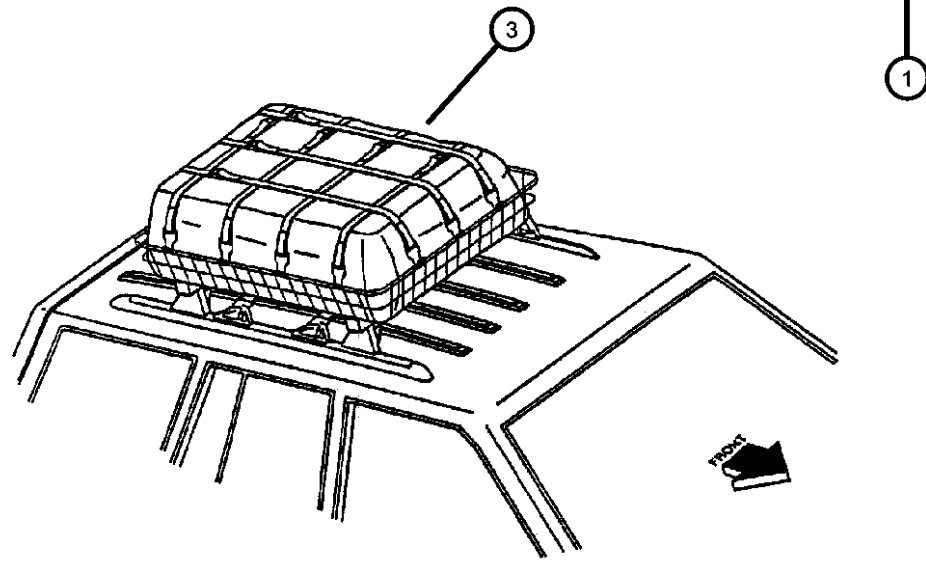
ENGINE
ENC = ENGINE - 2.5L 4 CYL TURBO DIESEL
EPE = ENGINE - 2.5L POWER TECH I-4 Cyl.
ERH = ENGINE - 4.0L POWER TECH I-6

TRANSMISSION
DDD = TRANSMISSION - 5-SPEED HD MANUAL
DDQ = TRANSMISSION - 5-SPEED MANUAL
DGD = TRANSMISSION - 3-SPD. AUTOMATIC,30RH
DGK = TRANSMISSION - 4-SPD. AUTOMATIC,42RE
DGS = TRANSMISSION-4SPD. AUTO,AISIN WARNER
DGT = TRANSMISSION - 4-SPD. AUTOMATIC,46RE
DGW = TRANSMISSION - 4-SPD. AUTOMATIC,44RE
DGX = TRANSMISSION - 4-SPEED AUTOMATIC
DBB = ALL MANUAL TRANSMISSIONS
DGO = ALL AUTOMATIC TRANSMISSIONS

AR = use ase required - = Non illustrated part

2000 XJ

Carrier Kit - Basket Type
Figure 1-272



ITEM	PART NUMBER	QTY	LINE	SERIES	BODY	ENGINE	TRANS	TRIM	DESCRIPTION
------	-------------	-----	------	--------	------	--------	-------	------	-------------

NOTE; Hardware Kit also contained in Carrier Kit.

1	82204697	1	J, T		72, 74				CARRIER KIT, Basket
2	05016389AA	1	J, T		72, 74				HARDWARE KIT, Accessory, Consists of: 4-25MM Button Head Screws, 4-30MM Button Head Screws, 4- Lock Washers, 4-Dome Washers, 4- Rubber Washers, 4-T-Nuts.
3	82204857	1	J, T		72, 74				NET KIT, Cargo

CHEROKEE (XJ)

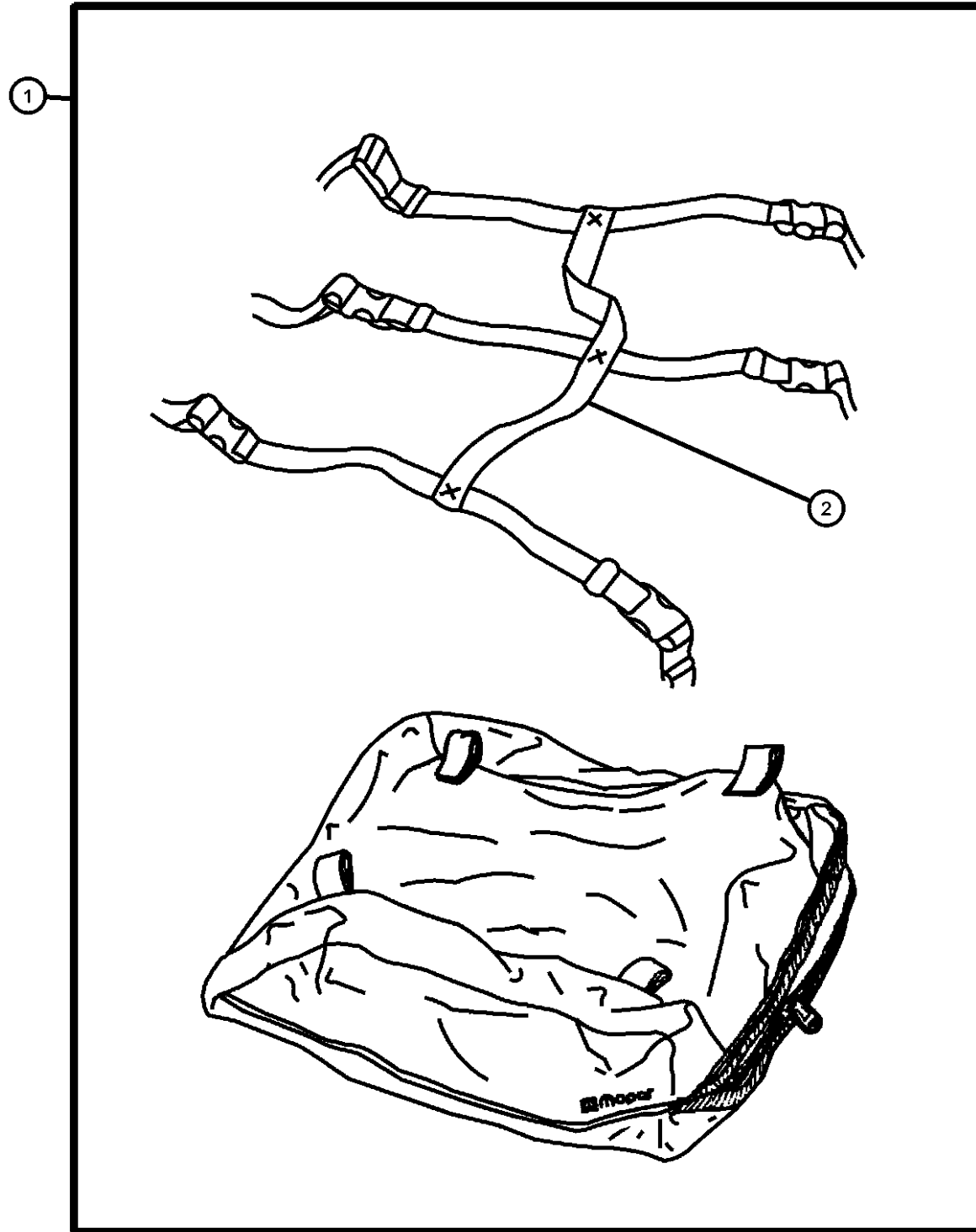
SERIES	LINE	BODY	ENGINE	TRANSMISSION
H = Sport	T = JEEP - 2WD	74 = 4 Dr (101.4WB)	ENC = ENGINE - 2.5L 4 CYL TURBO DIESEL	DDD = TRANSMISSION - 5-SPEED HD MANUAL
L = SE	B = JEEP - 2WD (RHD)	72 = 2 Dr (101.4WB)	EPE = ENGINE - 2.5L POWER TECH I-4 Cyl.	DDQ = TRANSMISSION - 5-SPEED MANUAL
P = Classic	J = JEEP - 4WD		ERH = ENGINE - 4.0L POWER TECH I-6	DGD = TRANSMISSION - 3-SPD. AUTOMATIC,30RH
S = Limited	U = JEEP - 4WD (RHD)			DGK = TRANSMISSION - 4-SPD. AUTOMATIC,42RE
				DGS = TRANSMISSION-4SPD. AUTO,AISIN WARNER
				DGT = TRANSMISSION - 4-SPD. AUTOMATIC,46RE
				DGW = TRANSMISSION - 4-SPD. AUTOMATIC,44RE
				DGX = TRANSMISSION - 4-SPEED AUTOMATIC
				DBB = ALL MANUAL TRANSMISSIONS
				DGO = ALL AUTOMATIC TRANSMISSIONS

AR = use ase required - = Non illustrated part

2000 XJ

Luggage Carrier - Roof Mount
Figure 1-274

ITEM	PART NUMBER	QTY	LINE	SERIES	BODY	ENGINE	TRANS	TRIM	DESCRIPTION
1	82204344	1	J, T		72, 74				CARRIER KIT, Luggage
2	05066332AA	1	J, T		72, 74				STRAP KIT, Luggage Carrier



CHEROKEE (XJ)

SERIES	LINE
H = Sport	T = JEEP - 2WD
L = SE	B = JEEP - 2WD (RHD)
P = Classic	J = JEEP - 4WD
S = Limited	U = JEEP - 4WD (RHD)

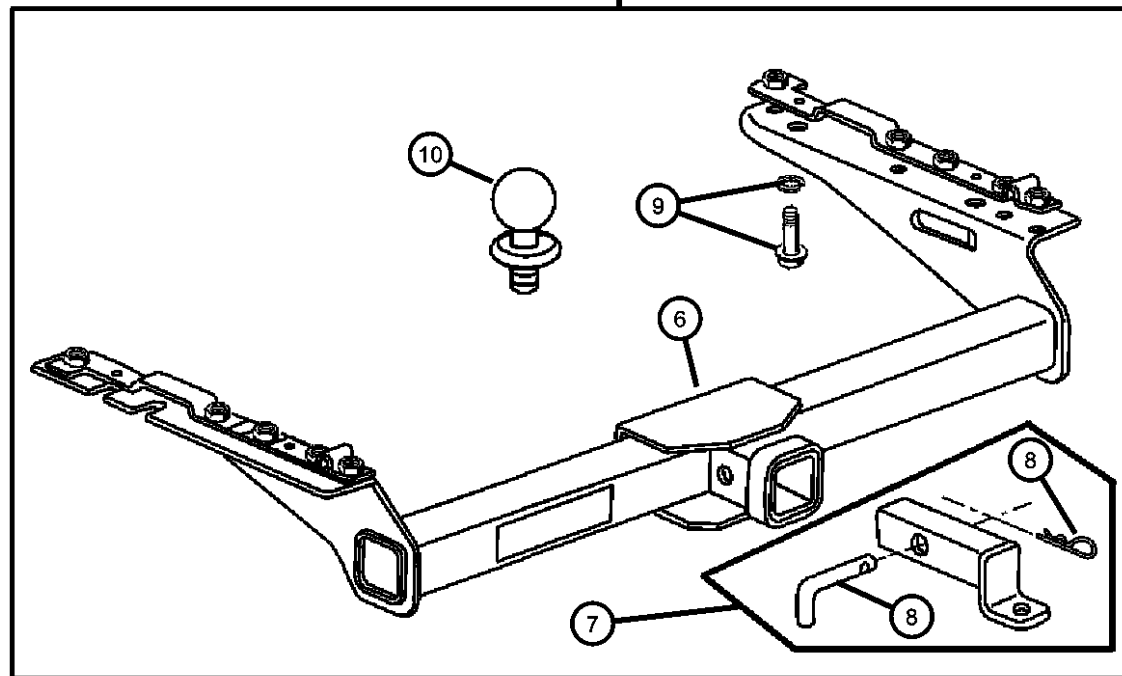
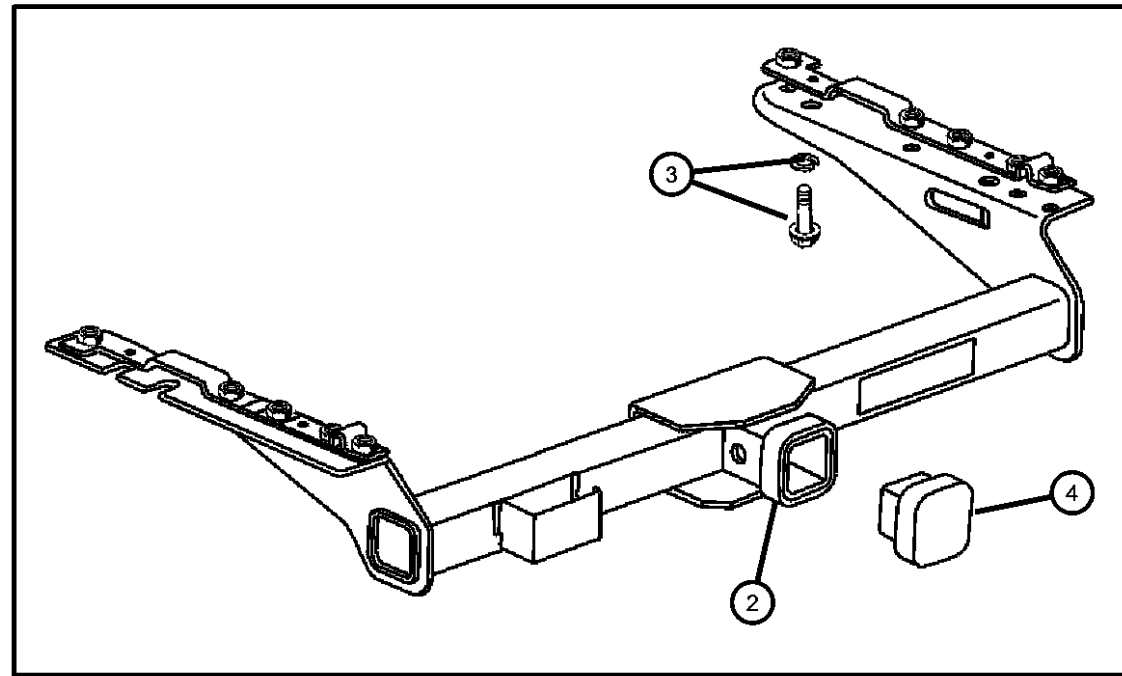
BODY
74 = 4 Dr (101.4WB)
72 = 2 Dr (101.4WB)

ENGINE
ENC = ENGINE - 2.5L 4 CYL TURBO DIESEL
EPE = ENGINE - 2.5L POWER TECH I-4 Cyl.
ERH = ENGINE - 4.0L POWER TECH I-6

TRANSMISSION
DDD = TRANSMISSION - 5-SPEED HD MANUAL
DDQ = TRANSMISSION - 5-SPEED MANUAL
DGD = TRANSMISSION - 3-SPD. AUTOMATIC,30RH
DGK = TRANSMISSION - 4-SPD. AUTOMATIC,42RE
DGS = TRANSMISSION-4SPD. AUTO,AISIN WARNER
DGT = TRANSMISSION - 4-SPD. AUTOMATIC,46RE
DGW = TRANSMISSION - 4-SPD. AUTOMATIC,44RE
DGX = TRANSMISSION - 4-SPEED AUTOMATIC
DBB = ALL MANUAL TRANSMISSIONS
DGO = ALL AUTOMATIC TRANSMISSIONS

AR = use ase required - = Non illustrated part

Trailer Tow Kit
Figure 1-280



ITEM	PART NUMBER	QTY	LINE	SERIES	BODY	ENGINE	TRANS	TRIM	DESCRIPTION
1	82204709	1	J, T		72, 74				RECEIVER KIT, Trailer Tow, 2 inch Receiver
2	82204709	1							HITCH, Trailer, (NOT SERVICED)
3	05019470AA	1	J, T		72, 74				HARDWARE KIT, Hitch
4	82203600	1	J, T		72, 74				COVER KIT, Trailer Tow, With Jeep Logo
5	82202852	1	J, T		72, 74				RECEIVER KIT, Trailer Tow, 1 1/4 inch Receiver
6	82202852	1							HITCH, Trailer, (NOT SERVICED)
7									ADAPTER KIT, Ball Mount
	82200248	1	J, T		72, 74				3/4 inch shank
	82201148	1	J, T		72, 74				1.0 inch shank, 1 3/4 inch rise 1.0 inch drop
	82201149	1	J, T		72, 74				1.0 inch shank, 3.0 inch rise 2 1/4 inch drop
8	05016666AA	1	J, T		72, 74				PIN, Hitch
9	05019470AA	1	J, T		72, 74				HARDWARE KIT, Hitch, Consists of: 4 - 1/2" Lock washers, 4 - 12MM Hex Bolts
10									BALL KIT, Trailer Tow
	82401102	1	J, T		72, 74				1 7/8 ball, 1.0X2 1/8 inch shank
	82401103	1	J, T		72, 74				2.0 ball, 1.0X2 1/8 inch shank
	82401104	1	J, T		72, 74				1 7/8 ball, 3/4X2 3/4 inch shank
	82401197	1	J, T		72, 74				1 7/8 ball, 3/4X2 5/16 inch shank

CHEROKEE (XJ)

SERIES LINE
H = Sport T = JEEP - 2WD
L = SE B = JEEP - 2WD (RHD)
P = Classic J = JEEP - 4WD
S = Limited U = JEEP - 4WD (RHD)

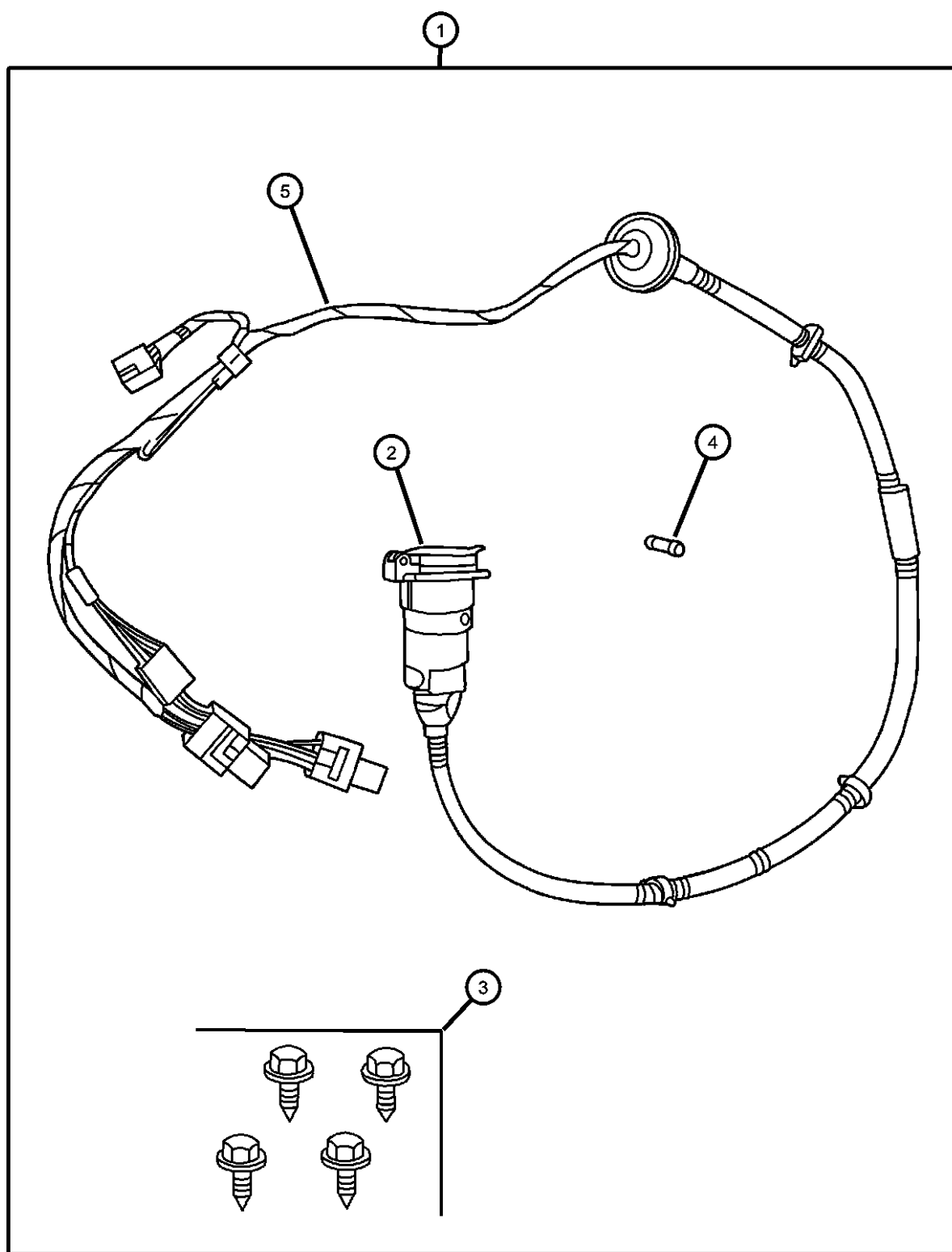
BODY
74 = 4 Dr (101.4WB)
72 = 2 Dr (101.4WB)

ENGINE
ENC = ENGINE - 2.5L 4 CYL TURBO DIESEL
EPE = ENGINE - 2.5L POWER TECH I-4 Cyl.
ERH = ENGINE - 4.0L POWER TECH I-6

TRANSMISSION
DDD = TRANSMISSION - 5-SPEED HD MANUAL
DDQ = TRANSMISSION - 5-SPEED MANUAL
DGD = TRANSMISSION - 3-SPD. AUTOMATIC,30RH
DGK = TRANSMISSION - 4-SPD. AUTOMATIC,42RE
DGS = TRANSMISSION-4SPD. AUTO,AISIN WARNER
DGT = TRANSMISSION - 4-SPD. AUTOMATIC,46RE
DGW = TRANSMISSION - 4-SPD. AUTOMATIC,44RE
DGX = TRANSMISSION - 4-SPEED AUTOMATIC
DBB = ALL MANUAL TRANSMISSIONS
DGO = ALL AUTOMATIC TRANSMISSIONS

AR = use ase required - = Non illustrated part

Wiring Kit - Trailer Tow
Figure 1-285



ITEM	PART NUMBER	QTY	LINE	SERIES	BODY	ENGINE	TRANS	TRIM	DESCRIPTION
1	82204634	1	J, T		72, 74				WIRING PACKAGE, Trailer Tow
2	56038366AB	1	J, T		72, 74				CONNECTOR, 7 Way
3	00154633	1	J, T		72, 74				SCREW, .164-18x.625
4	06101486	1	J, T		72, 74				FUSE, Mini, 10 AMP, Red
5	56009832	1	J, T		72, 74				WIRING, Trailer Tow

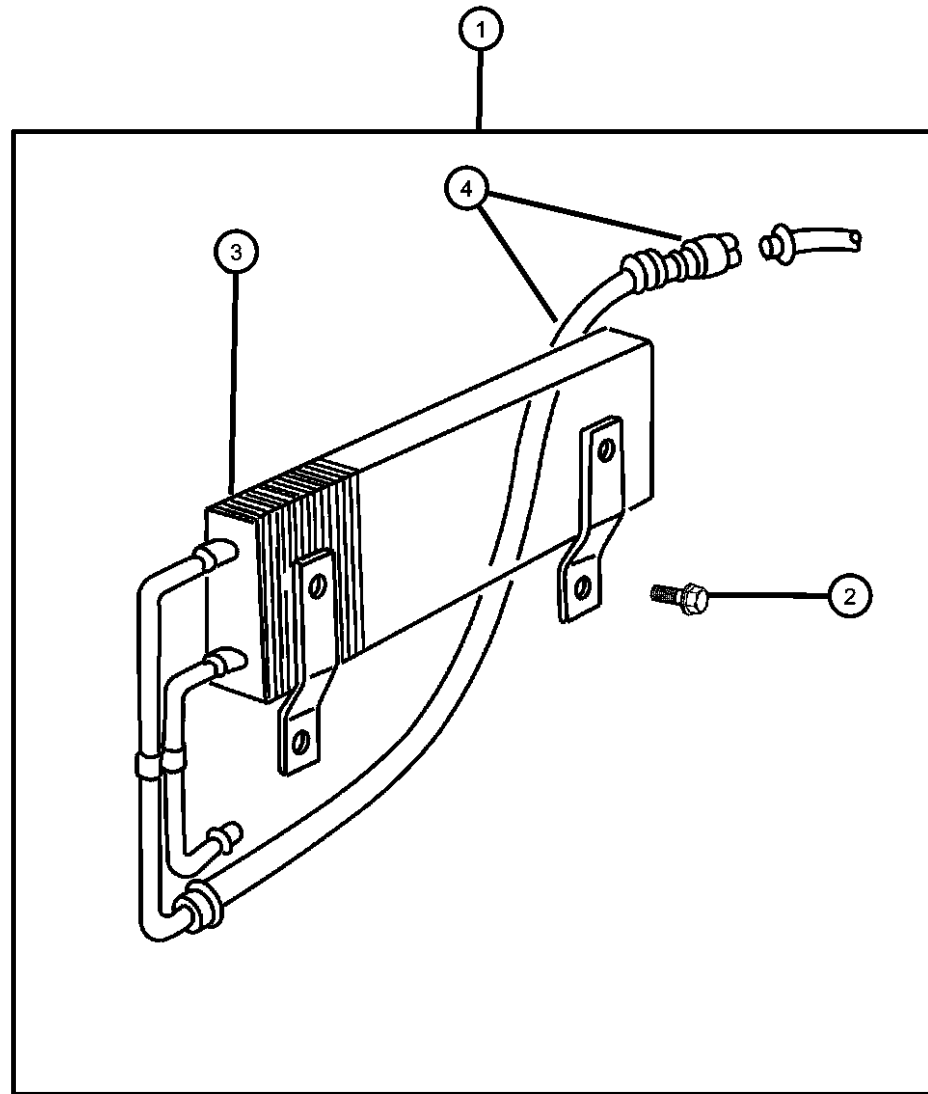
CHEROKEE (XJ)

SERIES	LINE	BODY	ENGINE	TRANSMISSION
H = Sport	T = JEEP - 2WD	74 = 4 Dr (101.4WB)	ENC = ENGINE - 2.5L 4 CYL TURBO DIESEL	DDD = TRANSMISSION - 5-SPEED HD MANUAL
L = SE	B = JEEP - 2WD (RHD)	72 = 2 Dr (101.4WB)	EPE = ENGINE - 2.5L POWER TECH I-4 Cyl.	DDQ = TRANSMISSION - 5-SPEED MANUAL
P = Classic	J = JEEP - 4WD		ERH = ENGINE - 4.0L POWER TECH I-6	DGD = TRANSMISSION - 3-SPD. AUTOMATIC,30RH
S = Limited	U = JEEP - 4WD (RHD)			DGK = TRANSMISSION - 4-SPD. AUTOMATIC,42RE
				DGS = TRANSMISSION-4SPD. AUTO,AISIN WARNER
				DGT = TRANSMISSION - 4-SPD. AUTOMATIC,46RE
				DGW = TRANSMISSION - 4-SPD. AUTOMATIC,44RE
				DGX = TRANSMISSION - 4-SPEED AUTOMATIC
				DBB = ALL MANUAL TRANSMISSIONS
				DGO = ALL AUTOMATIC TRANSMISSIONS

AR = use ase required - = Non illustrated part

Cooler Kit - Transmission Oil
Figure 1-290

ITEM	PART NUMBER	QTY	LINE	SERIES	BODY	ENGINE	TRANS	TRIM	DESCRIPTION
1	82204191	1	J, T		72, 74				COOLER PACKAGE, Transmission Oil
2	82204191	1							SCREW, Hex Head with Washer .164-18x.818, (NOT SERVICED)
3	52028516AE	1	J, T		72, 74				COOLER, Auxiliary Oil, Includes: Hose and Connector
4	05003096AC	1	J, T						HOSE AND CONNECTOR, Oil Cooler



CHEROKEE (XJ)

SERIES	LINE
H = Sport	T = JEEP - 2WD
L = SE	B = JEEP - 2WD (RHD)
P = Classic	J = JEEP - 4WD
S = Limited	U = JEEP - 4WD (RHD)

BODY
74 = 4 Dr (101.4WB)
72 = 2 Dr (101.4WB)

ENGINE
ENC = ENGINE - 2.5L 4 CYL TURBO DIESEL
EPE = ENGINE - 2.5L POWER TECH I-4 Cyl.
ERH = ENGINE - 4.0L POWER TECH I-6

TRANSMISSION
DDD = TRANSMISSION - 5-SPEED HD MANUAL
DDQ = TRANSMISSION - 5-SPEED MANUAL
DGD = TRANSMISSION - 3-SPD. AUTOMATIC,30RH
DGK = TRANSMISSION - 4-SPD. AUTOMATIC,42RE
DGS = TRANSMISSION-4SPD. AUTO,AISIN WARNER
DGT = TRANSMISSION - 4-SPD. AUTOMATIC,46RE
DGW = TRANSMISSION - 4-SPD. AUTOMATIC,44RE
DGX = TRANSMISSION - 4-SPEED AUTOMATIC
DBB = ALL MANUAL TRANSMISSIONS
DGO = ALL AUTOMATIC TRANSMISSIONS

AR = use ase required - = Non illustrated part

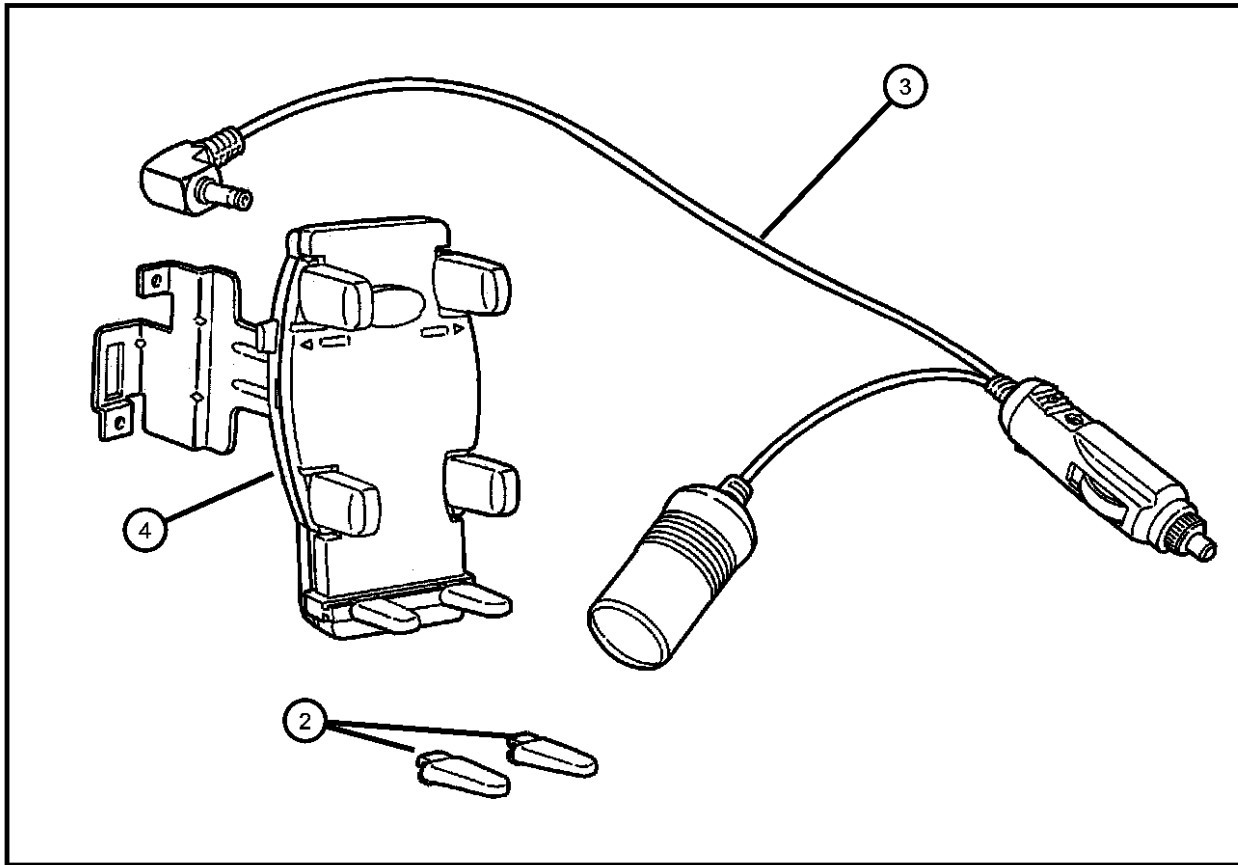
2000 XJ

Mounting Kit - Cellular Phone
Figure 1-310

ITEM	PART NUMBER	QTY	LINE	SERIES	BODY	ENGINE	TRANS	TRIM	DESCRIPTION
------	-------------	-----	------	--------	------	--------	-------	------	-------------

NOTE: Smart Holder and Bracket Assy. with Jeep Logo, Bracket to be black powder coated low gloss.
NOTE: Holder is free of knee and airbag deployment area.

1	82205274	1	J, T		72, 74				MOUNTING KIT, Cellular Phone
2	05018103AA	1	J, T		72, 74				HARDWARE KIT, Accessory, Consists of : 1-Set of Long Support Feet.
3	05019524AA	1	J, T		72, 74				CORD, Cellular Phone, 6' Cord with 'Y' Accessory Feed.
4	05019524AA	1							HOLDER KIT, Cellular Phone, Serviced in assembly, (NOT SERVICED)



CHEROKEE (XJ)

SERIES	LINE	BODY	ENGINE	TRANSMISSION
H = Sport	T = JEEP - 2WD	74 = 4 Dr (101.4WB)	ENC = ENGINE - 2.5L 4 CYL TURBO DIESEL	DDD = TRANSMISSION - 5-SPEED HD MANUAL
L = SE	B = JEEP - 2WD (RHD)	72 = 2 Dr (101.4WB)	EPE = ENGINE - 2.5L POWER TECH I-4 Cyl.	DDQ = TRANSMISSION - 5-SPEED MANUAL
P = Classic	J = JEEP - 4WD		ERH = ENGINE - 4.0L POWER TECH I-6	DGD = TRANSMISSION - 3-SPD. AUTOMATIC,30RH
S = Limited	U = JEEP - 4WD (RHD)			DGK = TRANSMISSION - 4-SPD. AUTOMATIC,42RE
				DGS = TRANSMISSION-4SPD. AUTO,AISIN WARNER
				DGT = TRANSMISSION - 4-SPD. AUTOMATIC,46RE
				DGW = TRANSMISSION - 4-SPD. AUTOMATIC,44RE
				DGX = TRANSMISSION - 4-SPEED AUTOMATIC
				DBB = ALL MANUAL TRANSMISSIONS
				DGO = ALL AUTOMATIC TRANSMISSIONS

AR = use ase required - = Non illustrated part

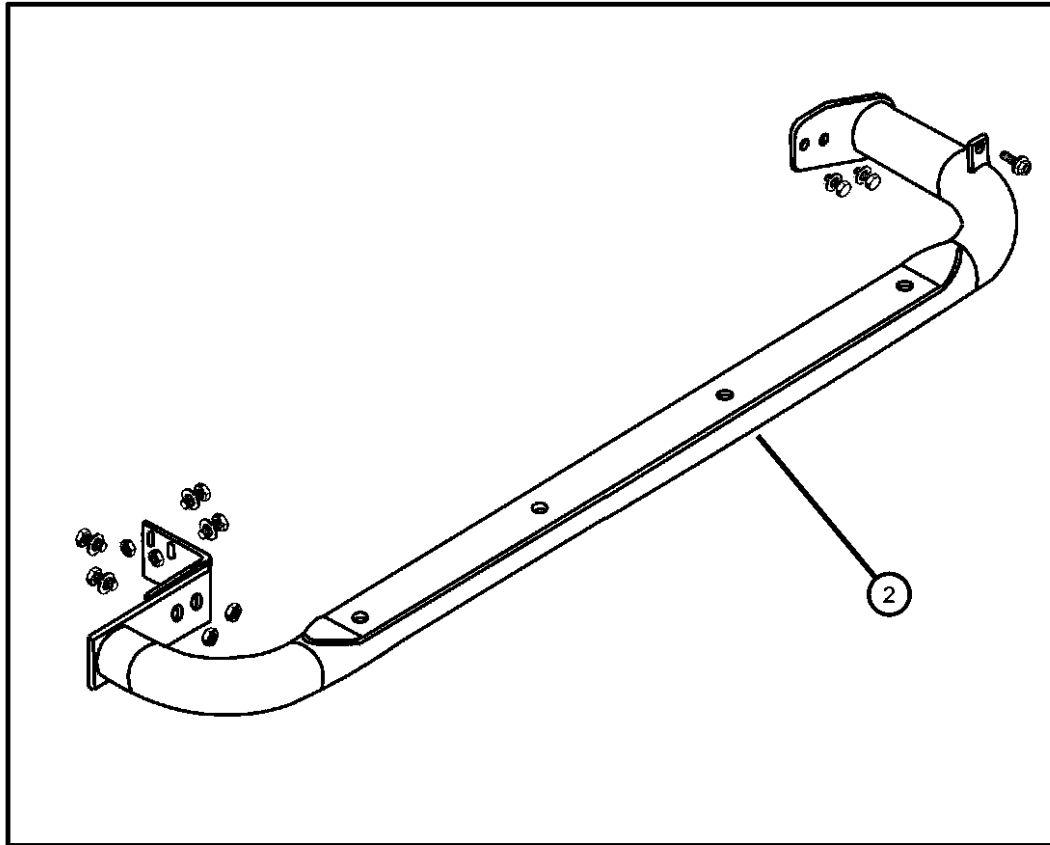
2000 XJ

**Step Kit - Side
Figure 1-410**

ITEM	PART NUMBER	QTY	LINE	SERIES	BODY	ENGINE	TRANS	TRIM	DESCRIPTION
------	-------------	-----	------	--------	------	--------	-------	------	-------------

NOTE: Each Right and Left Kit contains it's own Mounting Bracket and Hardware.

1									STEP KIT, Tubular Side, Right and Left Steps Included
	82203388	1	J, T		72, 74				Natural Aluminum
	82203390	1	J, T		72, 74				Chromed Steel
	82203391	1	J, T		72, 74				Black Steel
2									STEP KIT, Tubular Side
	05019269AA	1	J, T		72, 74				Natural Aluminum, Left
	05019272AA	1	J, T		72, 74				Natural Aluminum, Right
	05019273AA	1	J, T		72, 74				Chromed Steel, Left
	05019274AA	1	J, T		72, 74				Chromed Steel, Right
	05019275AA	1	J, T		72, 74				Black Steel, Left
	05019276AA	1	J, T		72, 74				Black Steel, Right



1

2

CHEROKEE (XJ)

SERIES	LINE
H = Sport	T = JEEP - 2WD
L = SE	B = JEEP - 2WD (RHD)
P = Classic	J = JEEP - 4WD
S = Limited	U = JEEP - 4WD (RHD)

BODY
74 = 4 Dr (101.4WB)
72 = 2 Dr (101.4WB)

ENGINE
ENC = ENGINE - 2.5L 4 CYL TURBO DIESEL
EPE = ENGINE - 2.5L POWER TECH I-4 Cyl.
ERH = ENGINE - 4.0L POWER TECH I-6

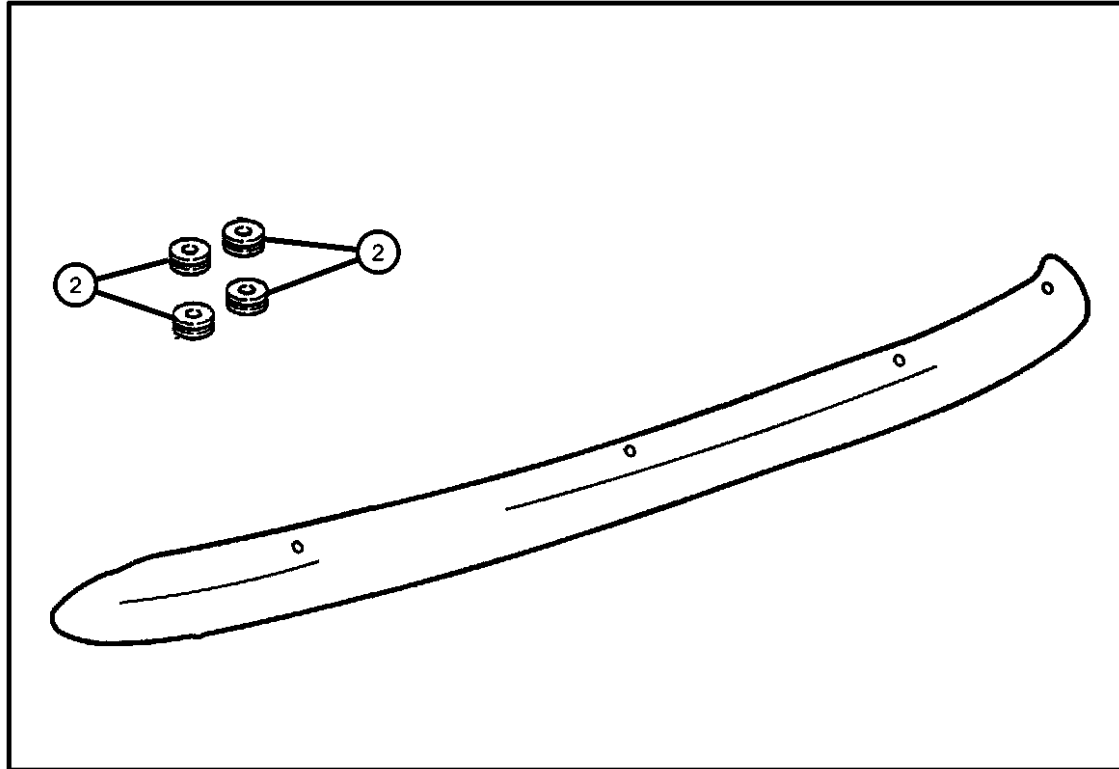
TRANSMISSION
DDD = TRANSMISSION - 5-SPEED HD MANUAL
DDQ = TRANSMISSION - 5-SPEED MANUAL
DGD = TRANSMISSION - 3-SPD. AUTOMATIC,30RH
DGK = TRANSMISSION - 4-SPD. AUTOMATIC,42RE
DGS = TRANSMISSION-4SPD. AUTO,AISIN WARNER
DGT = TRANSMISSION - 4-SPD. AUTOMATIC,46RE
DGW = TRANSMISSION - 4-SPD. AUTOMATIC,44RE
DGX = TRANSMISSION - 4-SPEED AUTOMATIC
DBB = ALL MANUAL TRANSMISSIONS
DGO = ALL AUTOMATIC TRANSMISSIONS

AR = use ase required - = Non illustrated part

2000 XJ

Shield Kit
Figure 1-510

ITEM	PART NUMBER	QTY	LINE	SERIES	BODY	ENGINE	TRANS	TRIM	DESCRIPTION
1	82203379	1	J, T		72, 74				SHIELD KIT, Air - Front
2	05014754AA	1	J, T		72, 74				SPACER, Air Deflector, Will Service All Deflectors. Has Better Adhesive



1

CHEROKEE (XJ)

SERIES	LINE
H = Sport	T = JEEP - 2WD
L = SE	B = JEEP - 2WD (RHD)
P = Classic	J = JEEP - 4WD
S = Limited	U = JEEP - 4WD (RHD)

BODY
74 = 4 Dr (101.4WB)
72 = 2 Dr (101.4WB)

ENGINE
ENC = ENGINE - 2.5L 4 CYL TURBO DIESEL
EPE = ENGINE - 2.5L POWER TECH I-4 Cyl.
ERH = ENGINE - 4.0L POWER TECH I-6

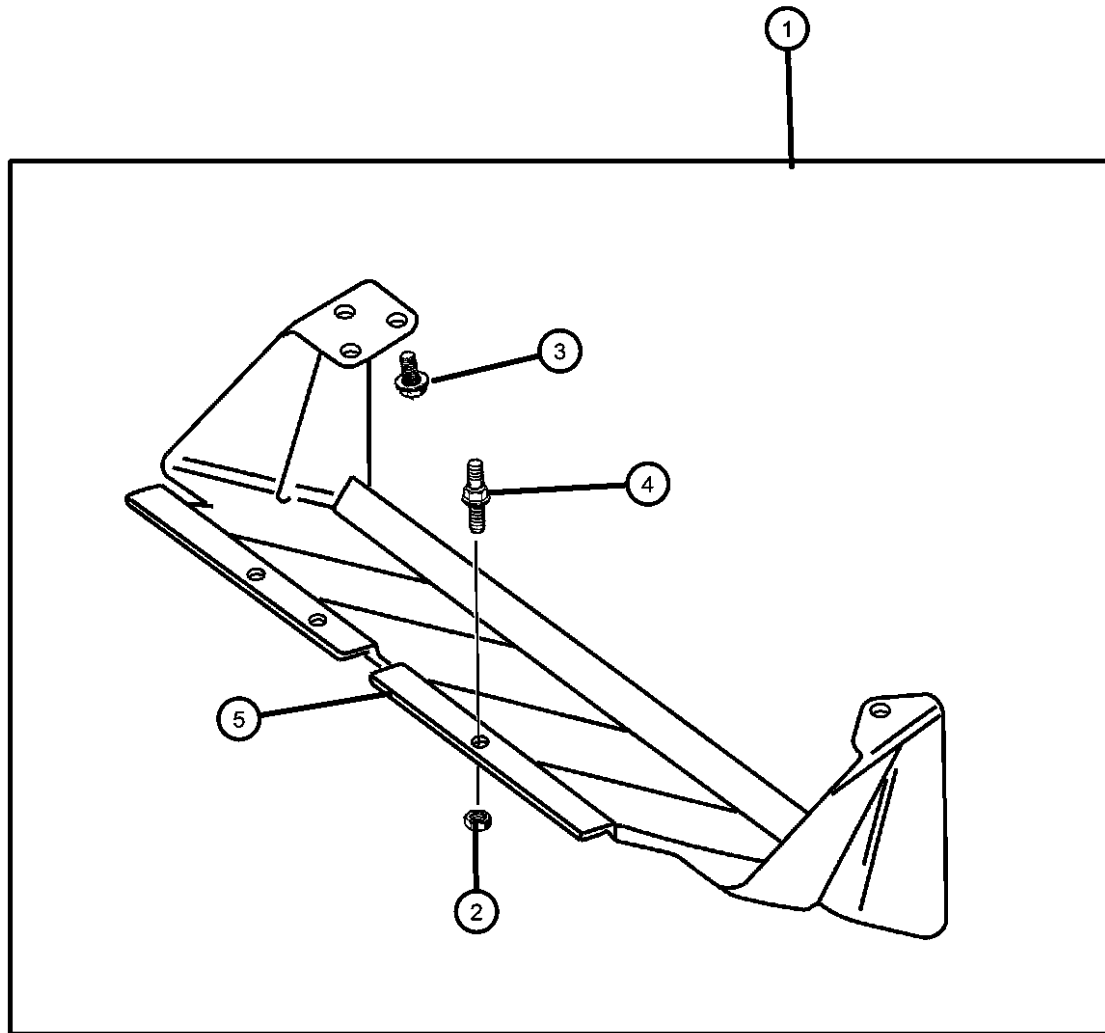
TRANSMISSION
DDD = TRANSMISSION - 5-SPEED HD MANUAL
DDQ = TRANSMISSION - 5-SPEED MANUAL
DGD = TRANSMISSION - 3-SPD. AUTOMATIC,30RH
DGK = TRANSMISSION - 4-SPD. AUTOMATIC,42RE
DGS = TRANSMISSION-4SPD. AUTO,AISIN WARNER
DGT = TRANSMISSION - 4-SPD. AUTOMATIC,46RE
DGW = TRANSMISSION - 4-SPD. AUTOMATIC,44RE
DGX = TRANSMISSION - 4-SPEED AUTOMATIC
DBB = ALL MANUAL TRANSMISSIONS
DGO = ALL AUTOMATIC TRANSMISSIONS

AR = use ase required - = Non illustrated part

2000 XJ

Skid Plate - Front
Figure 1-520

ITEM	PART NUMBER	QTY	LINE	SERIES	BODY	ENGINE	TRANS	TRIM	DESCRIPTION
1	82202851	1	J, T		72, 74				PLATE PACKAGE, Skid - Front
2	J4200046	1	J, T		72, 74				NUT AND WASHER, Hex Flange, M8x1.25
3	06502467	1	J, T		72, 74				SCREW AND WASHER, Hex Head, M10x1.5x30
4	34202209	1	J, T		72, 74				STUD, Collared, M8x1.25x44.00
5	52018009AB	1	J, T		72, 74				SKID PLATE, Front



CHEROKEE (XJ)

SERIES	LINE
H = Sport	T = JEEP - 2WD
L = SE	B = JEEP - 2WD (RHD)
P = Classic	J = JEEP - 4WD
S = Limited	U = JEEP - 4WD (RHD)

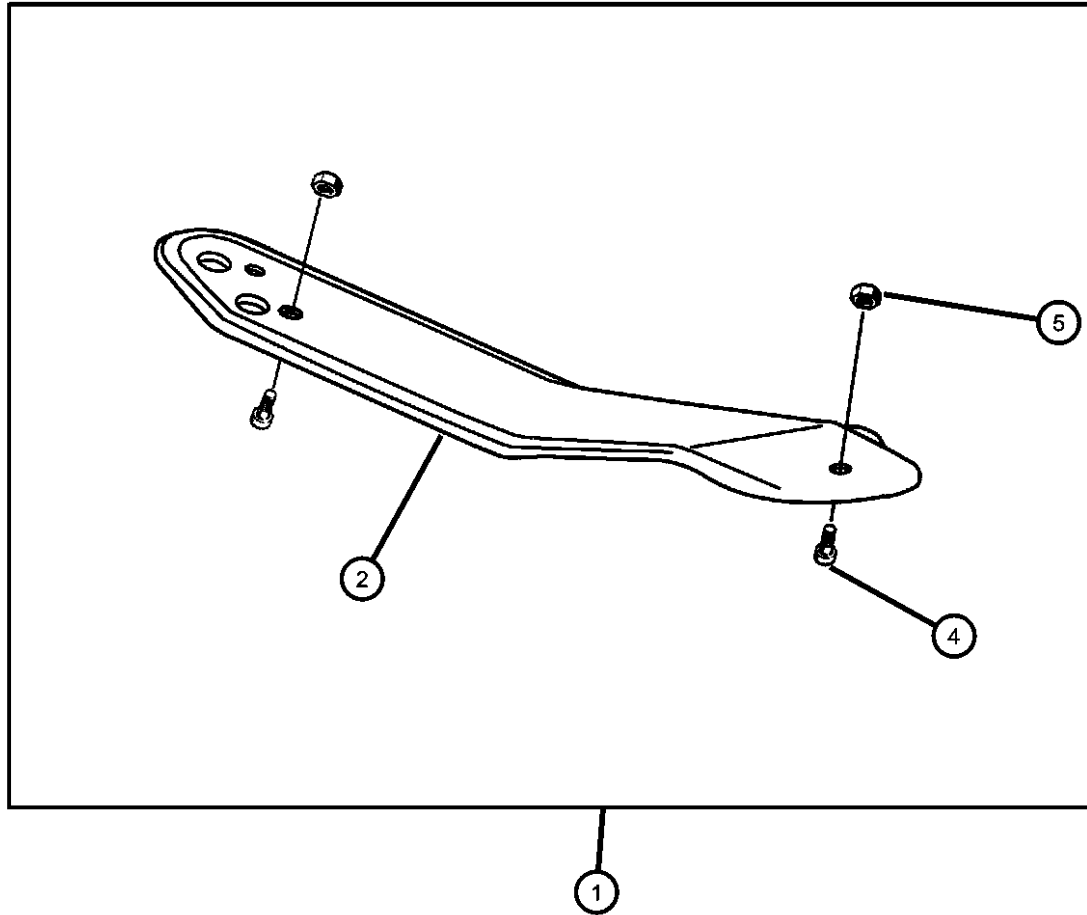
BODY
74 = 4 Dr (101.4WB)
72 = 2 Dr (101.4WB)

ENGINE	TRANSMISSION
ENC = ENGINE - 2.5L 4 CYL TURBO DIESEL	DDD = TRANSMISSION - 5-SPEED HD MANUAL
EPE = ENGINE - 2.5L POWER TECH I-4 Cyl.	DDQ = TRANSMISSION - 5-SPEED MANUAL
ERH = ENGINE - 4.0L POWER TECH I-6	DGD = TRANSMISSION - 3-SPD. AUTOMATIC,30RH
	DGK = TRANSMISSION - 4-SPD. AUTOMATIC,42RE
	DGS = TRANSMISSION-4SPD. AUTO,AISIN WARNER
	DGT = TRANSMISSION - 4-SPD. AUTOMATIC,46RE
	DGW = TRANSMISSION - 4-SPD. AUTOMATIC,44RE
	DGX = TRANSMISSION - 4-SPEED AUTOMATIC
	DBB = ALL MANUAL TRANSMISSIONS
	DGO = ALL AUTOMATIC TRANSMISSIONS

AR = use ase required - = Non illustrated part

Skid Plate - Transfer Case
Figure 1-522

ITEM	PART NUMBER	QTY	LINE	SERIES	BODY	ENGINE	TRANS	TRIM	DESCRIPTION
1	82205147	1	J		72, 74				PLATE PACKAGE, Skid - Transfer Case
2	52003111AC	1	J		72, 74				PLATE, Transfer Case Skid
-3	05011659AA	1	J		72, 74				RIVNUT, Installation
4	11502850	1	J		72, 74				BOLT, Hex Flange Head, M8x1.25x20
5	34201575	1	J		72, 74				NUT, Insert, M8 x 1.25 x 18.29



CHEROKEE (XJ)

SERIES	LINE
H = Sport	T = JEEP - 2WD
L = SE	B = JEEP - 2WD (RHD)
P = Classic	J = JEEP - 4WD
S = Limited	U = JEEP - 4WD (RHD)

BODY
74 = 4 Dr (101.4WB)
72 = 2 Dr (101.4WB)

ENGINE
ENC = ENGINE - 2.5L 4 CYL TURBO DIESEL
EPE = ENGINE - 2.5L POWER TECH I-4 Cyl.
ERH = ENGINE - 4.0L POWER TECH I-6

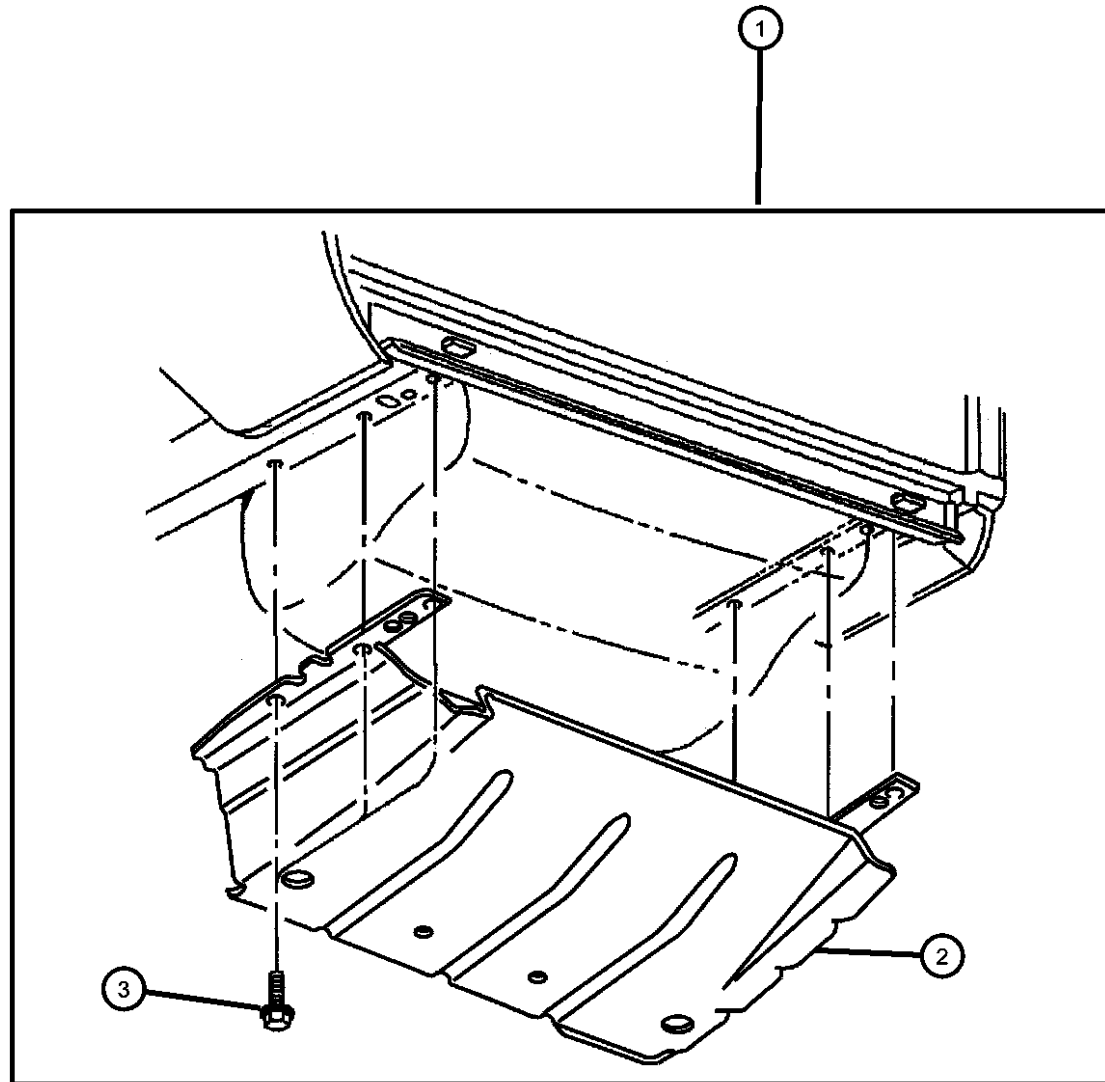
TRANSMISSION
DDD = TRANSMISSION - 5-SPEED HD MANUAL
DDQ = TRANSMISSION - 5-SPEED MANUAL
DGD = TRANSMISSION - 3-SPD. AUTOMATIC,30RH
DGK = TRANSMISSION - 4-SPD. AUTOMATIC,42RE
DGS = TRANSMISSION-4SPD. AUTO,AISIN WARNER
DGT = TRANSMISSION - 4-SPD. AUTOMATIC,46RE
DGW = TRANSMISSION - 4-SPD. AUTOMATIC,44RE
DGX = TRANSMISSION - 4-SPEED AUTOMATIC
DBB = ALL MANUAL TRANSMISSIONS
DGO = ALL AUTOMATIC TRANSMISSIONS

AR = use ase required - = Non illustrated part

2000 XJ

**Skid Plate - Fuel Tank
Figure 1-524**

ITEM	PART NUMBER	QTY	LINE	SERIES	BODY	ENGINE	TRANS	TRIM	DESCRIPTION
1	82203726	1	J, T		72, 74				SKID PLATE PACKAGE, Fuel Tank
2	52100328AA	1	J, T		72, 74				PLATE, Skid
3	34201964	6							BOLT, Hex Flange Head, M12x1.75x40
-4									REINFORCEMENT, Sill
	52001174	1	J, T		72, 74				Right
	52001175	1	J, T		72, 74				Left
-5	11501060	5							NUT, Hex, M12x1.75



CHEROKEE (XJ)

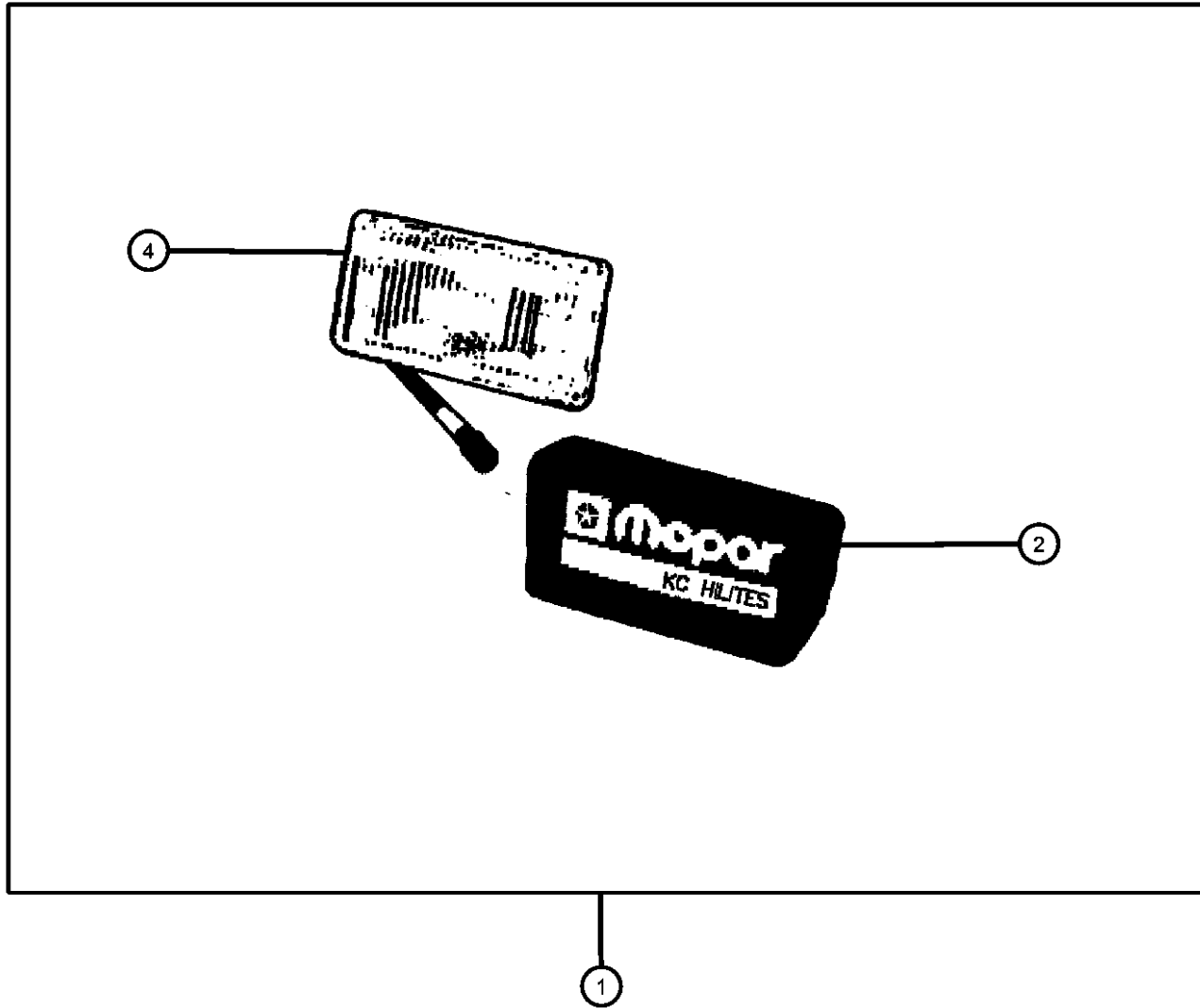
SERIES	LINE	BODY	ENGINE	TRANSMISSION
H = Sport	T = JEEP - 2WD	74 = 4 Dr (101.4WB)	ENC = ENGINE - 2.5L 4 CYL TURBO DIESEL	DDD = TRANSMISSION - 5-SPEED HD MANUAL
L = SE	B = JEEP - 2WD (RHD)	72 = 2 Dr (101.4WB)	EPE = ENGINE - 2.5L POWER TECH I-4 Cyl.	DDQ = TRANSMISSION - 5-SPEED MANUAL
P = Classic	J = JEEP - 4WD		ERH = ENGINE - 4.0L POWER TECH I-6	DGD = TRANSMISSION - 3-SPD. AUTOMATIC,30RH
S = Limited	U = JEEP - 4WD (RHD)			DGK = TRANSMISSION - 4-SPD. AUTOMATIC,42RE
				DGS = TRANSMISSION-4SPD. AUTO,AISIN WARNER
				DGT = TRANSMISSION - 4-SPD. AUTOMATIC,46RE
				DGW = TRANSMISSION - 4-SPD. AUTOMATIC,44RE
				DGX = TRANSMISSION - 4-SPEED AUTOMATIC
				DBB = ALL MANUAL TRANSMISSIONS
				DGO = ALL AUTOMATIC TRANSMISSIONS

AR = use ase required - = Non illustrated part

**Light Package - Fog
Figure 1-610**

ITEM	PART NUMBER	QTY	LINE	SERIES	BODY	ENGINE	TRANS	TRIM	DESCRIPTION
1	82201230	1	J, T		72, 74				LIGHT KIT, Fog, 5 x 7', Bright Chrome
2	04720332	1	J, T		72, 74				COVER, Fog Lamp
-3	04728646	1	J, T		72, 74				BULB PACKAGE, 55 Watt
4	04720329	1	J, T		72, 74				LENS, Fog Lamp

NOTE: Light Packages - use 55 watt Bulb only. Complete kit including lights for mounting on a Brush Guard.

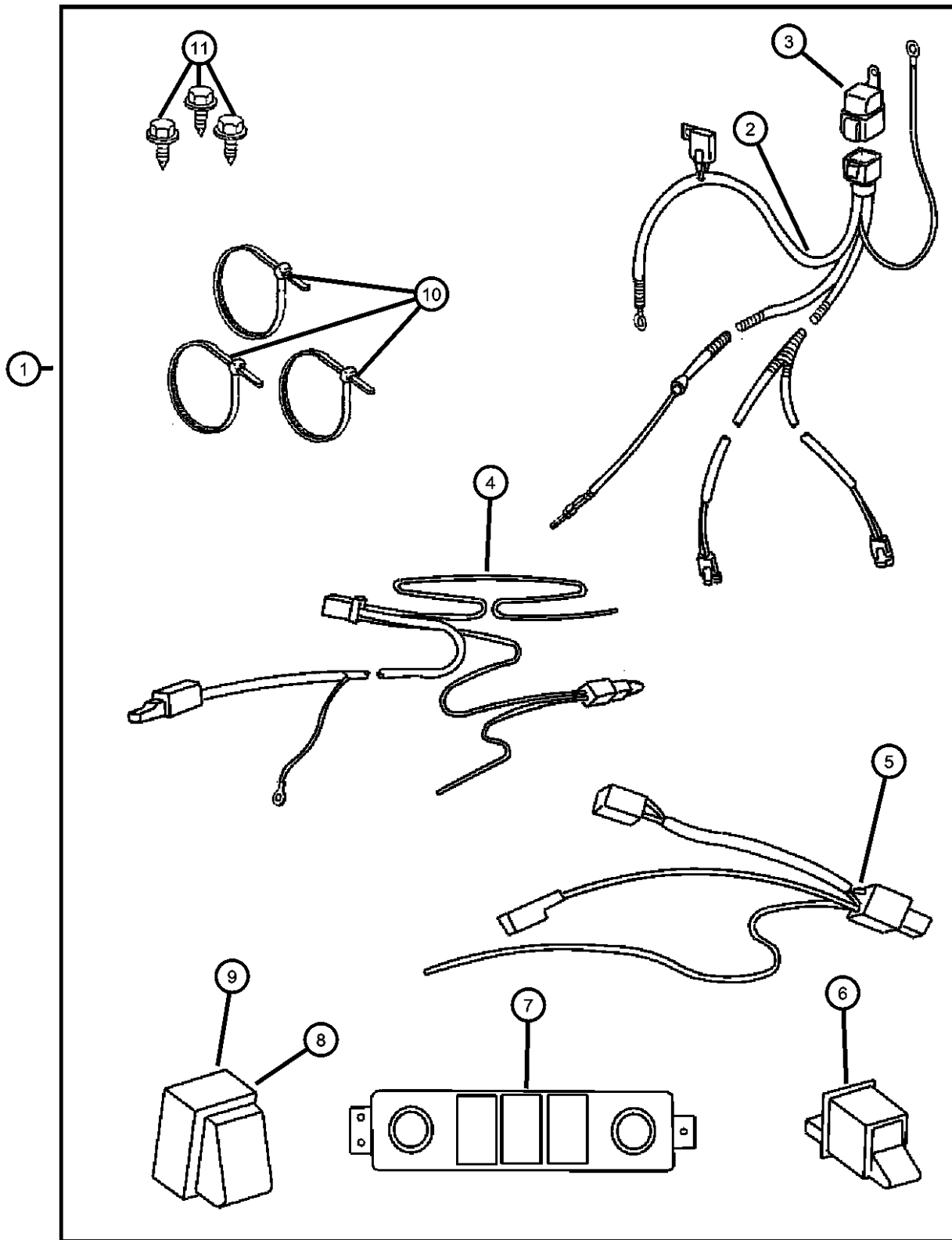


CHEROKEE (XJ)

SERIES	LINE	BODY	ENGINE	TRANSMISSION
H = Sport	T = JEEP - 2WD	74 = 4 Dr (101.4WB)	ENC = ENGINE - 2.5L 4 CYL TURBO DIESEL	DDD = TRANSMISSION - 5-SPEED HD MANUAL
L = SE	B = JEEP - 2WD (RHD)	72 = 2 Dr (101.4WB)	EPE = ENGINE - 2.5L POWER TECH I-4 Cyl.	DDQ = TRANSMISSION - 5-SPEED MANUAL
P = Classic	J = JEEP - 4WD		ERH = ENGINE - 4.0L POWER TECH I-6	DGD = TRANSMISSION - 3-SPD. AUTOMATIC,30RH
S = Limited	U = JEEP - 4WD (RHD)			DGK = TRANSMISSION - 4-SPD. AUTOMATIC,42RE
				DGS = TRANSMISSION-4SPD. AUTO,AISIN WARNER
				DGT = TRANSMISSION - 4-SPD. AUTOMATIC,46RE
				DGW = TRANSMISSION - 4-SPD. AUTOMATIC,44RE
				DGX = TRANSMISSION - 4-SPEED AUTOMATIC
				DBB = ALL MANUAL TRANSMISSIONS
				DGO = ALL AUTOMATIC TRANSMISSIONS

AR = use ase required - = Non illustrated part

Installation Kit - Fog Lamp
Figure 1-616



ITEM	PART NUMBER	QTY	LINE	SERIES	BODY	ENGINE	TRANS	TRIM	DESCRIPTION
1	82204235	1	J, T		72, 74				INSTALL PACKAGE, Off Road Light
2	82204235	1							WIRING KIT, Fog Light, (NOT SERVICED)
3	04638271	1	J, T		72, 74				RELAY PACKAGE, Electrical
4	04638271	1							WIRING, Jumper, Switch, (NOT SERVICED)
5	04638271	1							WIRING, Hi Beam Cut/Off, (NOT SERVICED)
6	56007247	1	J, T		72, 74				SWITCH, Fog Lamp
7	04897502AG	1							BEZEL, Switch
8	56007329	1	J, U		72, 74				PLUG, Switch Opening, Heated Back Light
9	56007330	1	J, T		72, 74				PLUG, Switch Opening, Wiper Washer
10	56007330	1							STRAP, Tie, (NOT SERVICED)
11	56007330	1							SCREW, Hex Head, (NOT SERVICED)

CHEROKEE (XJ)

SERIES

H = Sport
L = SE
P = Classic
S = Limited

LINE

T = JEEP - 2WD
B = JEEP - 2WD (RHD)
J = JEEP - 4WD
U = JEEP - 4WD (RHD)

BODY

74 = 4 Dr (101.4WB)
72 = 2 Dr (101.4WB)

ENGINE

ENC = ENGINE - 2.5L 4 CYL TURBO DIESEL
EPE = ENGINE - 2.5L POWER TECH I-4 Cyl.
ERH = ENGINE - 4.0L POWER TECH I-6

TRANSMISSION

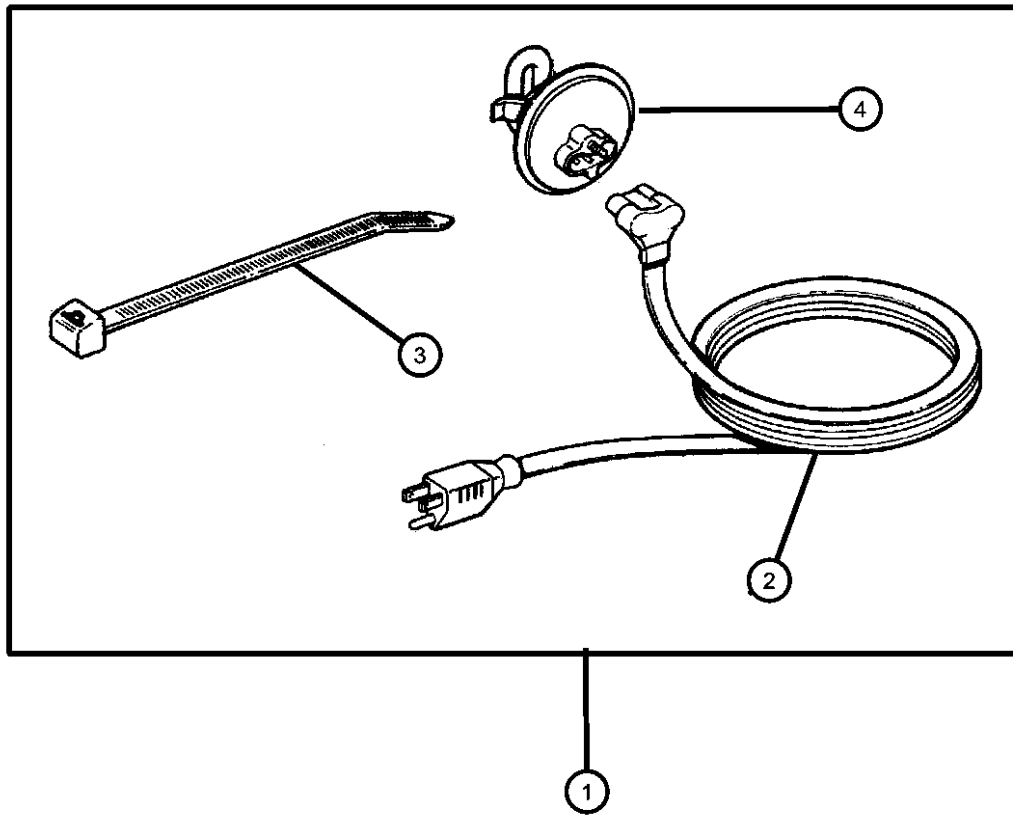
DDD = TRANSMISSION - 5-SPEED HD MANUAL
DDQ = TRANSMISSION - 5-SPEED MANUAL
DGD = TRANSMISSION - 3-SPD. AUTOMATIC,30RH
DGK = TRANSMISSION - 4-SPD. AUTOMATIC,42RE
DGS = TRANSMISSION-4SPD. AUTO,AISIN WARNER
DGT = TRANSMISSION - 4-SPD. AUTOMATIC,46RE
DGW = TRANSMISSION - 4-SPD. AUTOMATIC,44RE
DGX = TRANSMISSION - 4-SPEED AUTOMATIC
DBB = ALL MANUAL TRANSMISSIONS
DGO = ALL AUTOMATIC TRANSMISSIONS

AR = use ase required - = Non illustrated part

2000 XJ

Heater Kit
Figure 1-620

ITEM	PART NUMBER	QTY	LINE	SERIES	BODY	ENGINE	TRANS	TRIM	DESCRIPTION
1	82201506	1	J, T		72, 74				HEATER PACKAGE, Engine Block
2	53000878	1	J, T		72, 74				CORD, Engine Block Heater
3	04641780	1	J, T		72, 74				STRAP, Tie
4	04641780	1							HEATER, Engine Block, Serviced only in package, (NOT SERVICED)



CHEROKEE (XJ)

SERIES	LINE
H = Sport	T = JEEP - 2WD
L = SE	B = JEEP - 2WD (RHD)
P = Classic	J = JEEP - 4WD
S = Limited	U = JEEP - 4WD (RHD)

BODY
74 = 4 Dr (101.4WB)
72 = 2 Dr (101.4WB)

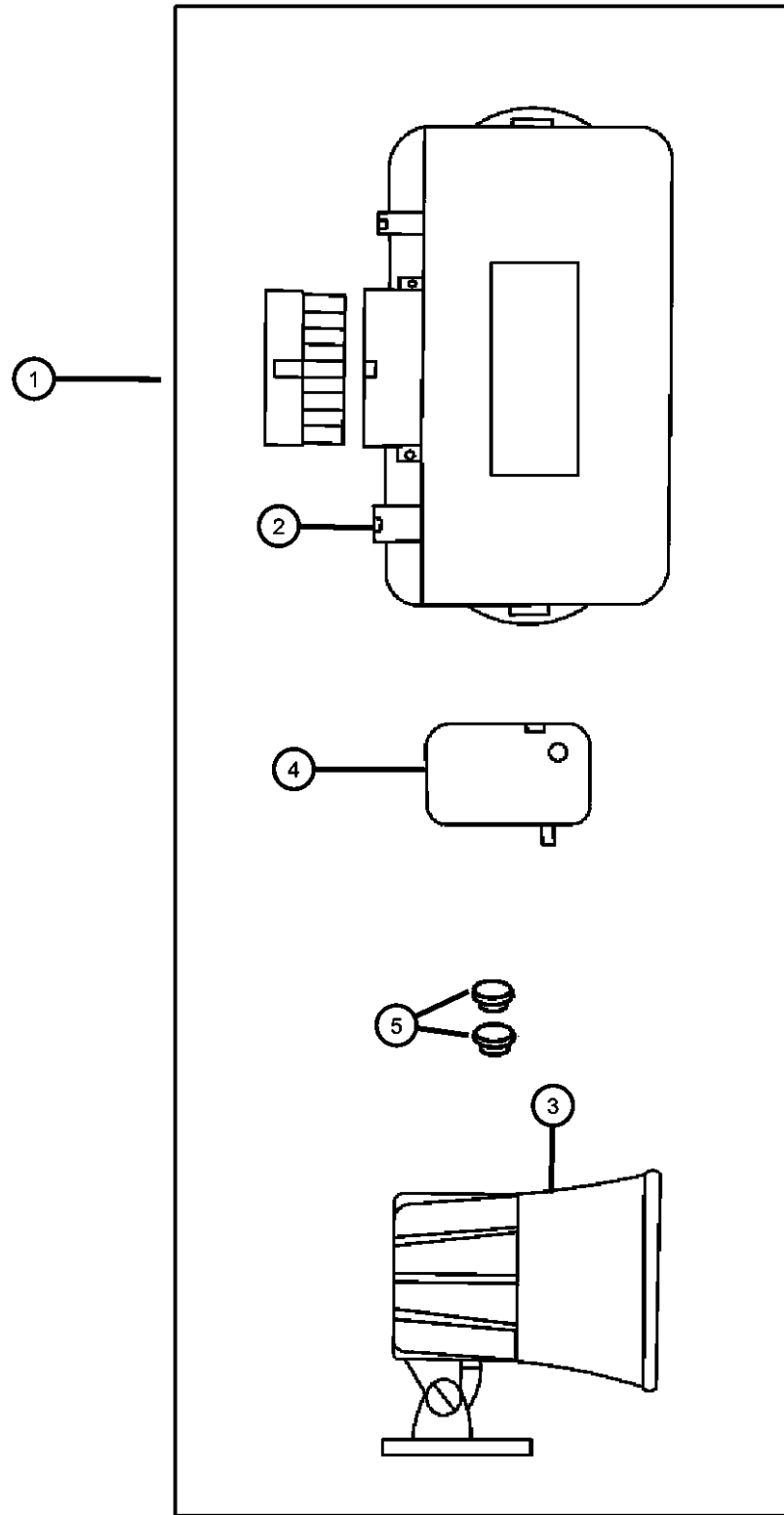
ENGINE
ENC = ENGINE - 2.5L 4 CYL TURBO DIESEL
EPE = ENGINE - 2.5L POWER TECH I-4 Cyl.
ERH = ENGINE - 4.0L POWER TECH I-6

TRANSMISSION
DDD = TRANSMISSION - 5-SPEED HD MANUAL
DDQ = TRANSMISSION - 5-SPEED MANUAL
DGD = TRANSMISSION - 3-SPD. AUTOMATIC,30RH
DGK = TRANSMISSION - 4-SPD. AUTOMATIC,42RE
DGS = TRANSMISSION-4SPD. AUTO,AISIN WARNER
DGT = TRANSMISSION - 4-SPD. AUTOMATIC,46RE
DGW = TRANSMISSION - 4-SPD. AUTOMATIC,44RE
DGX = TRANSMISSION - 4-SPEED AUTOMATIC
DBB = ALL MANUAL TRANSMISSIONS
DGO = ALL AUTOMATIC TRANSMISSIONS

AR = use ase required - = Non illustrated part

2000 XJ

**Alarm - EVS Base System
Figure 1-910**



ITEM	PART NUMBER	QTY	LINE	SERIES	BODY	ENGINE	TRANS	TRIM	DESCRIPTION
------	-------------	-----	------	--------	------	--------	-------	------	-------------

NOTE: Item # 6 -Wiring Harness is an Optional Feature.

1	82203763	1	J, T		72, 74				MODULE KIT, Alarm without Keyless
2	05012164AA	1	J, T		72, 74				MODULE, Security Alarm
3	82203198	1	J, T		72, 74				SIREN, Alarm
4	04886374AA	1	J, T		72, 74				TRANSMITTER, Alarm or Keyless
5	04636141	1	J, T		72, 74				BATTERY, Transmitter
-6	82204216	1	J, T		72, 74				WIRING KIT, Park and Headlight

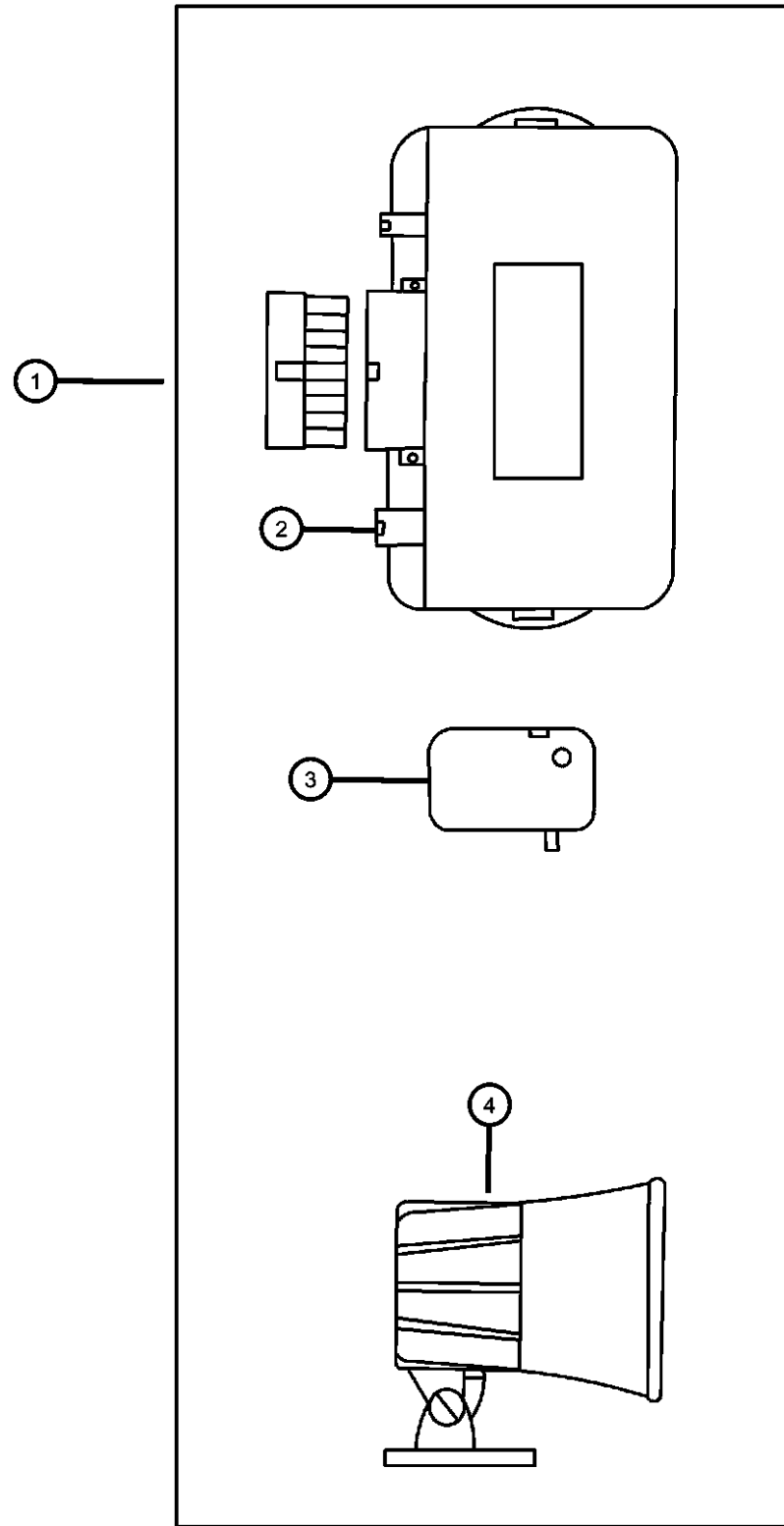
CHEROKEE (XJ)

SERIES	LINE	BODY	ENGINE	TRANSMISSION
H = Sport	T = JEEP - 2WD	74 = 4 Dr (101.4WB)	ENC = ENGINE - 2.5L 4 CYL TURBO DIESEL	DDD = TRANSMISSION - 5-SPEED HD MANUAL
L = SE	B = JEEP - 2WD (RHD)	72 = 2 Dr (101.4WB)	EPE = ENGINE - 2.5L POWER TECH I-4 Cyl.	DDQ = TRANSMISSION - 5-SPEED MANUAL
P = Classic	J = JEEP - 4WD		ERH = ENGINE - 4.0L POWER TECH I-6	DGD = TRANSMISSION - 3-SPD. AUTOMATIC,30RH
S = Limited	U = JEEP - 4WD (RHD)			DGK = TRANSMISSION - 4-SPD. AUTOMATIC,42RE
				DGS = TRANSMISSION-4SPD. AUTO,AISIN WARNER
				DGT = TRANSMISSION - 4-SPD. AUTOMATIC,46RE
				DGW = TRANSMISSION - 4-SPD. AUTOMATIC,44RE
				DGX = TRANSMISSION - 4-SPEED AUTOMATIC
				DBB = ALL MANUAL TRANSMISSIONS
				DGO = ALL AUTOMATIC TRANSMISSIONS

AR = use ase required - = Non illustrated part

2000 XJ

**Alarm - EVS Plus System
Figure 1-915**



ITEM	PART NUMBER	QTY	LINE	SERIES	BODY	ENGINE	TRANS	TRIM	DESCRIPTION
------	-------------	-----	------	--------	------	--------	-------	------	-------------

NOTE: Items #5-6 are Wiring Harnesses for Optional Features.,

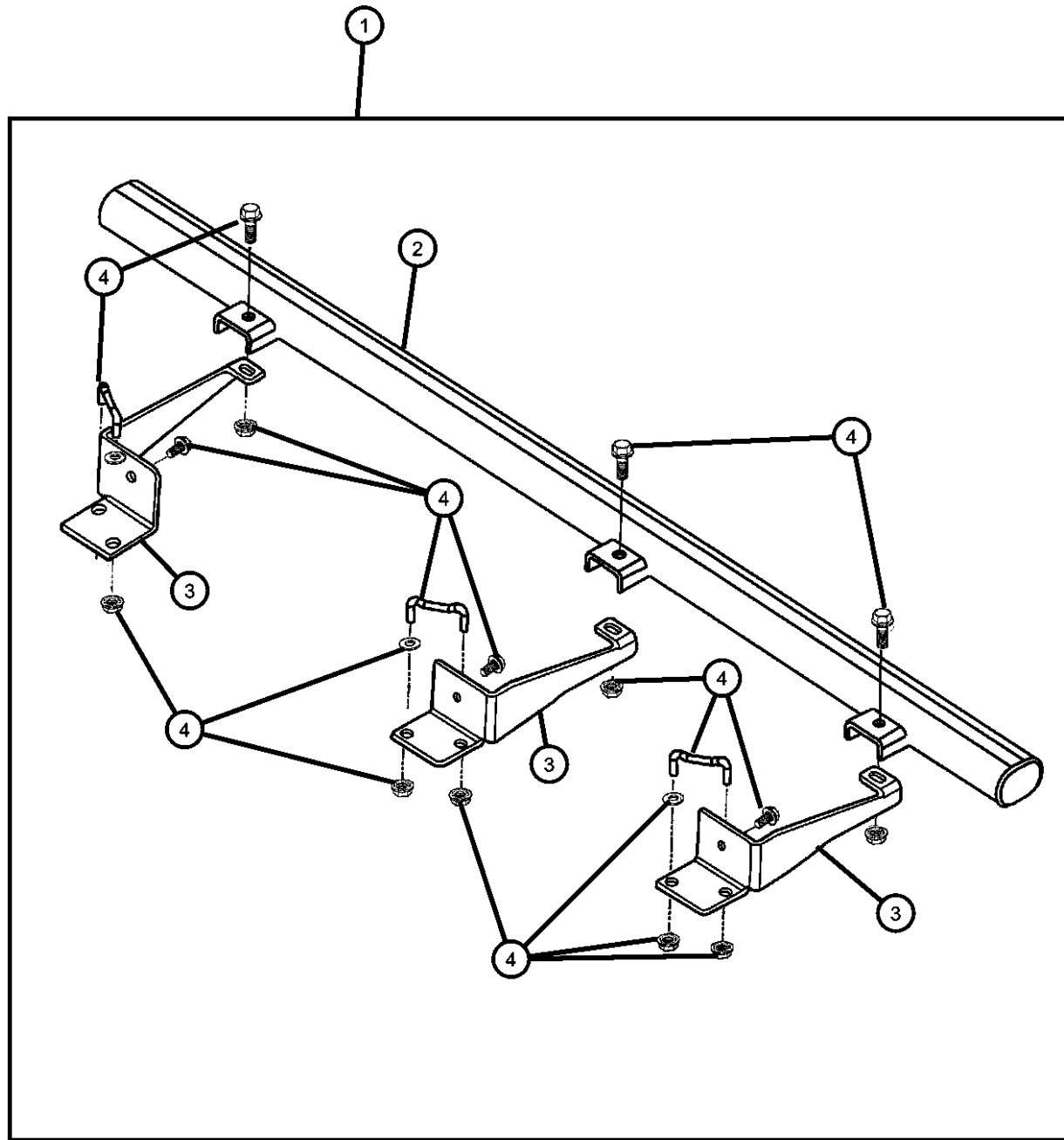
1	82204268	1	J, T		72, 74				MODULE, Security Alarm
2	05011619AA	1	J, T		72, 74				MODULE, Security Alarm
3	04886261AA	1	J, T		72, 74				SENSOR, Shock, With Connector
4	82203198	1	J, T		72, 74				SIREN, Alarm
-5	82204216	1	J, T		72, 74				WIRING KIT, Park and Headlight
-6	82205886	1	J, T		72, 74				WIRING KIT, Alarm Security Plus

CHEROKEE (XJ)

SERIES	LINE	BODY	ENGINE	TRANSMISSION
H = Sport	T = JEEP - 2WD	74 = 4 Dr (101.4WB)	ENC = ENGINE - 2.5L 4 CYL TURBO DIESEL	DDD = TRANSMISSION - 5-SPEED HD MANUAL
L = SE	B = JEEP - 2WD (RHD)	72 = 2 Dr (101.4WB)	EPE = ENGINE - 2.5L POWER TECH I-4 Cyl.	DDQ = TRANSMISSION - 5-SPEED MANUAL
P = Classic	J = JEEP - 4WD		ERH = ENGINE - 4.0L POWER TECH I-6	DGD = TRANSMISSION - 3-SPD. AUTOMATIC,30RH
S = Limited	U = JEEP - 4WD (RHD)			DGK = TRANSMISSION - 4-SPD. AUTOMATIC,42RE
				DGS = TRANSMISSION-4SPD. AUTO,AISIN WARNER
				DGT = TRANSMISSION - 4-SPD. AUTOMATIC,46RE
				DGW = TRANSMISSION - 4-SPD. AUTOMATIC,44RE
				DGX = TRANSMISSION - 4-SPEED AUTOMATIC
				DBB = ALL MANUAL TRANSMISSIONS
				DGO = ALL AUTOMATIC TRANSMISSIONS

AR = use ase required - = Non illustrated part

Guard - Rock Rails
Figure 1-1020



ITEM	PART NUMBER	QTY	LINE	SERIES	BODY	ENGINE	TRANS	TRIM	DESCRIPTION
1	82205091	1	J, T		72, 74				GUARD KIT, Bodyside, Tubular Black Steel w/Moulded Splash Guards
2									GUARD KIT, Bodyside
	05018983AA	1	J, T		72, 74				Left
	05018984AA	1	J, T		72, 74				Right
3									BRACKET, Mounting, Front, Center and Rear
	05018985AA	1	J, T		72, 74				Left, Side
	05019248AA	1	J, T		72, 74				Right, Side
4	05019247AA	1	J, T		72, 74				HARDWARE KIT, Mounting

CHEROKEE (XJ)

SERIES
H = Sport
L = SE
P = Classic
S = Limited

LINE
T = JEEP - 2WD
B = JEEP - 2WD (RHD)
J = JEEP - 4WD
U = JEEP - 4WD (RHD)

BODY
74 = 4 Dr (101.4WB)
72 = 2 Dr (101.4WB)

ENGINE
ENC = ENGINE - 2.5L 4 CYL TURBO DIESEL
EPE = ENGINE - 2.5L POWER TECH I-4 Cyl.
ERH = ENGINE - 4.0L POWER TECH I-6

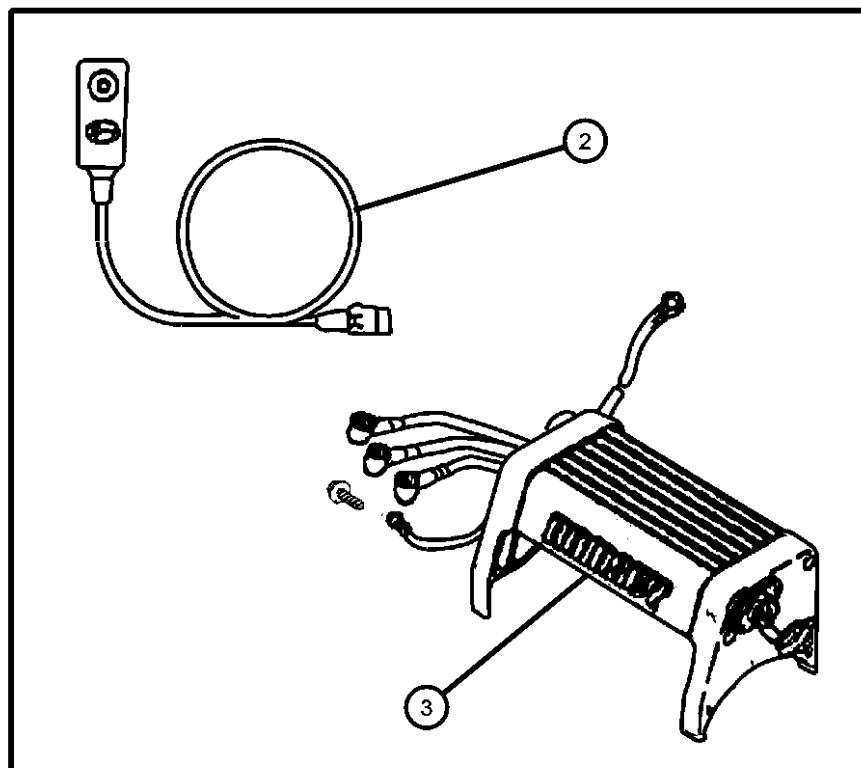
TRANSMISSION
DDD = TRANSMISSION - 5-SPEED HD MANUAL
DDQ = TRANSMISSION - 5-SPEED MANUAL
DGD = TRANSMISSION - 3-SPD. AUTOMATIC,30RH
DGK = TRANSMISSION - 4-SPD. AUTOMATIC,42RE
DGS = TRANSMISSION-4SPD. AUTO,AISIN WARNER
DGT = TRANSMISSION - 4-SPD. AUTOMATIC,46RE
DGW = TRANSMISSION - 4-SPD. AUTOMATIC,44RE
DGX = TRANSMISSION - 4-SPEED AUTOMATIC
DBB = ALL MANUAL TRANSMISSIONS
DGO = ALL AUTOMATIC TRANSMISSIONS

AR = use ase required - = Non illustrated part

2000 XJ

Winch Kit - Power
Figure 1-1030

ITEM	PART NUMBER	QTY	LINE	SERIES	BODY	ENGINE	TRANS	TRIM	DESCRIPTION
1									WINCH KIT, Power
	82204129	1	J		72, 74				9000H Series with 95 foot Cable.
	82204130	1	J		72, 74				6000H Series
	82204131	1	J		72, 74				8000H Series with 95 foot Cable.
	82204134	1	J		72, 74				8000HX Series
2	05018221AA	1	J		72, 74				CABLE KIT, Winch, Switch Assembly is 12 feet long. Use only with Power Winch.
3									SOLENOID, Winch
	05018363AA	1	J		72, 74				Includes Hardware, 12 volt rated
	05018366AA	1	J		72, 74				Use for 8000HX Series



CHEROKEE (XJ)

SERIES
H = Sport
L = SE
P = Classic
S = Limited

LINE
T = JEEP - 2WD
B = JEEP - 2WD (RHD)
J = JEEP - 4WD
U = JEEP - 4WD (RHD)

BODY
74 = 4 Dr (101.4WB)
72 = 2 Dr (101.4WB)

ENGINE
ENC = ENGINE - 2.5L 4 CYL
TURBO DIESEL
EPE = ENGINE - 2.5L POWER
TECH I-4 Cyl.
ERH = ENGINE - 4.0L
POWER TECH I-6

TRANSMISSION
DDD = TRANSMISSION - 5-SPEED
HD MANUAL
DDQ = TRANSMISSION - 5-SPEED
MANUAL
DGD = TRANSMISSION - 3-SPD.
AUTOMATIC,30RH
DGK = TRANSMISSION - 4-SPD.
AUTOMATIC,42RE
DGS = TRANSMISSION-4SPD.
AUTO,AISIN WARNER
DGT = TRANSMISSION - 4-SPD.
AUTOMATIC,46RE
DGW = TRANSMISSION - 4-SPD.
AUTOMATIC,44RE
DGX = TRANSMISSION - 4-SPEED
AUTOMATIC
DBB = ALL MANUAL
TRANSMISSIONS
DGO = ALL AUTOMATIC
TRANSMISSIONS

AR = use ase required - = Non illustrated part

2000 XJ

Group - 2

Front Suspension & Drive

Group - 2 Front Suspension & Drive

Illustration Title

Group-Fig. No.

Front Suspension

Arms,Control,Upper and Lower Fig. 2 - 110
 Spring and Shocks,Front Fig. 2 - 120
 Front Stabilizer Bar And Track Bar Fig. 2 - 130

Front Axle Drive Shafts

Shafts,Front Axle..... Fig. 2 - 210

Front Axle Housing

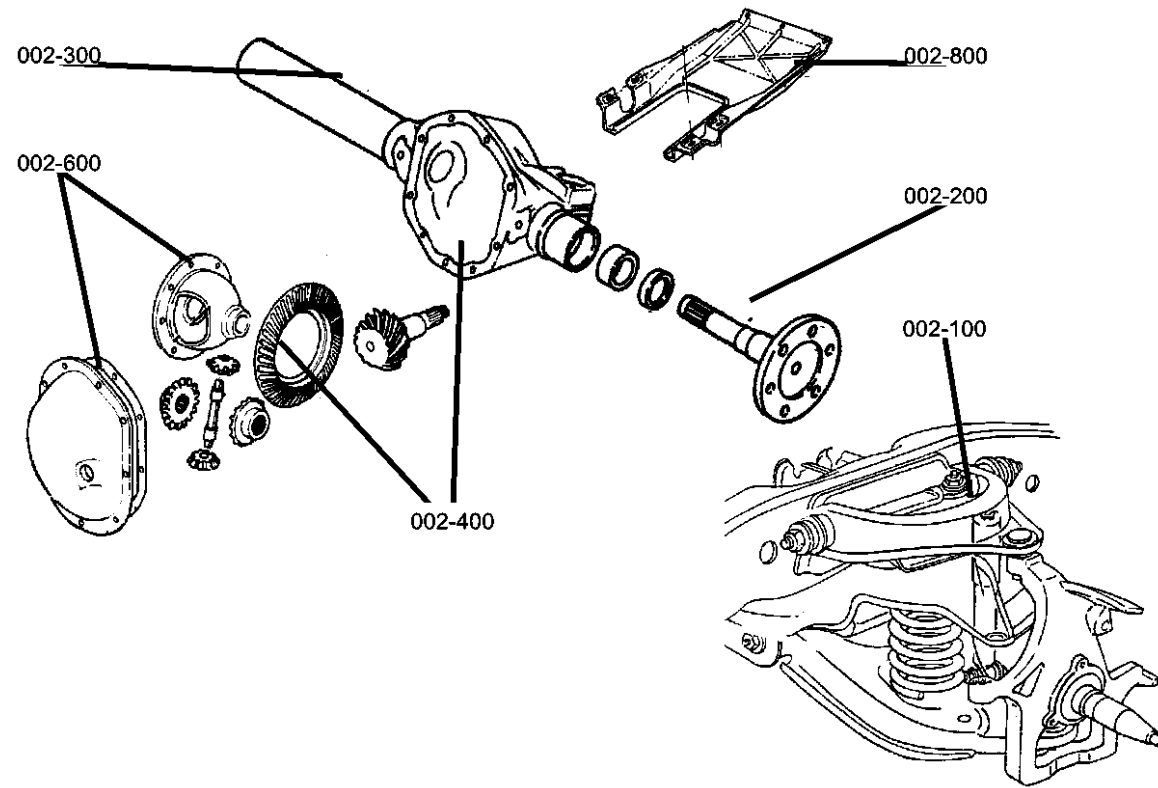
Housing,Front Axle,2 Wheel Drive..... Fig. 2 - 310
 Housing,Front Axle,4 Wheel Drive..... Fig. 2 - 320

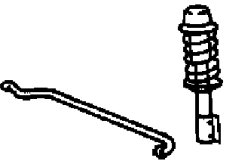

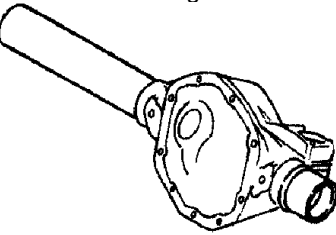
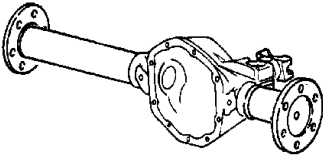
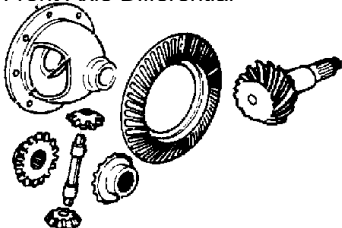
Front Axle Assembly

Axle Assembly,Front,4 Wheel Drive Fig. 2 - 410

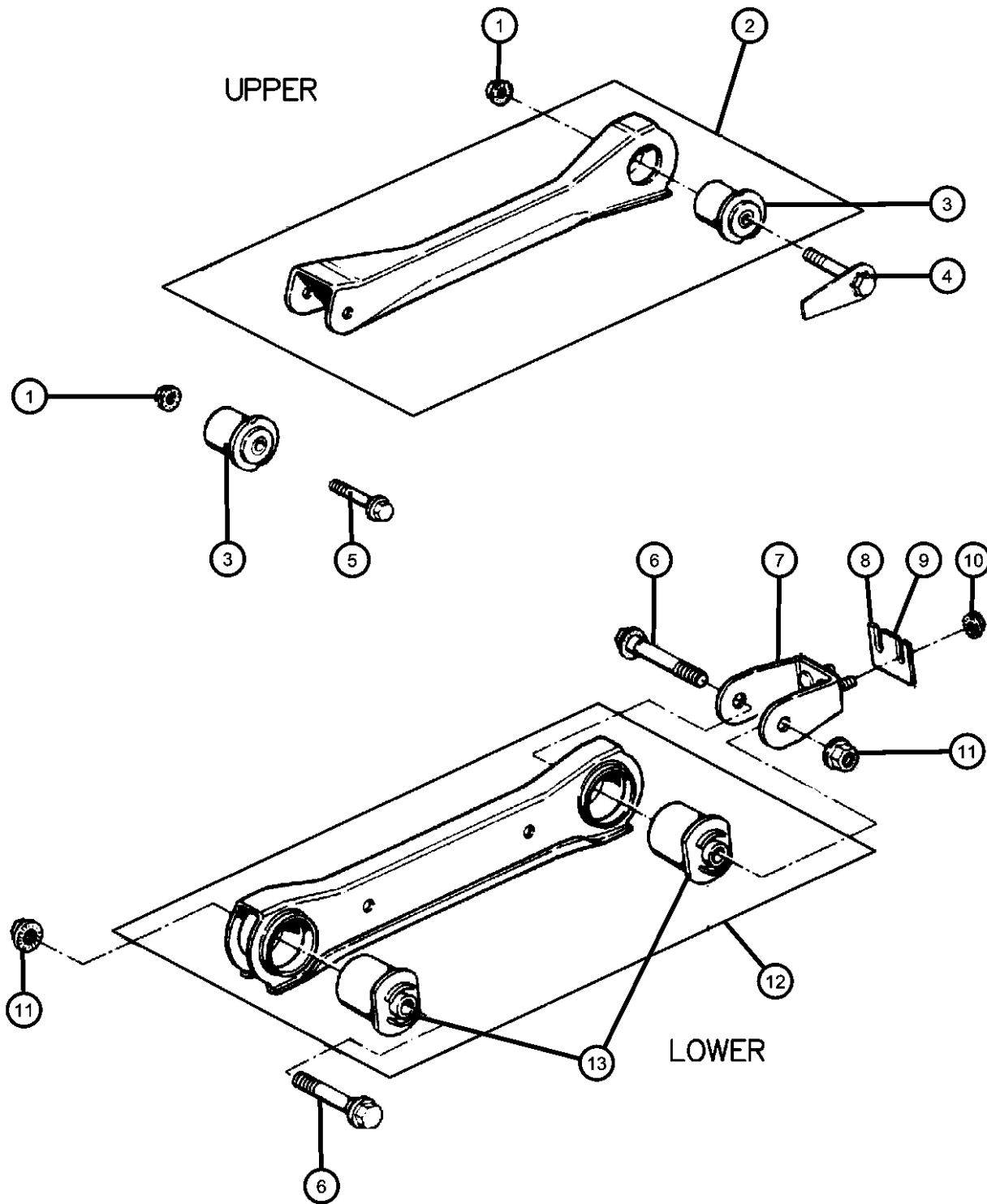
Front Axle Differential

Differential,Front Axle..... Fig. 2 - 610



<p>002-100 Front Suspension</p> 	<p>002-200 Front Axle Drive Shafts</p> 	<p>002-300 Front Axle Housing</p> 	<p>002-400 Front Axle Assembly</p> 
<p>002-600 Front Axle Differential</p> 			

Arms,Control,Upper and Lower
Figure 2-110



ITEM	PART NUMBER	QTY	LINE	SERIES	BODY	ENGINE	TRANS	TRIM	DESCRIPTION
1	11506007	2							NUT, Hex Flange, M10x1.5, UCA to Sill and Axle, Mounting
2	52087711	2							ARM, ControlUpper
3	52087852	2							BUSHING, Control Arm, UCA to Sill and Axle
4	06505153AA	2							BOLT, M10x1.50x85, UCA to Sill, Mounting
5	06505154AA	2							BOLT, UCA to Axle, Mounting
6	34201334	4							BOLT, Hex Flange Head, M14x2.00x110, LCA to Clevis and Axle, Mounting
7	52000532	2							CLEVIS, Lower Suspension Arm, To Sill
8	52000234	AR							SHIM, Control Arm, Caster and Pinion Angle Adjusting-.9mm Thick
9	52003976	AR							SHIM, Pinion Angle, Caster and Pinion Angle Adjusting-.4mm Thick
10	06101695	4							NUT, Hex Flange Lock, Clevis to Sill, Mounting
11	06503672	4							NUT, Hex, M14-2, LCA to Clevis and Axle, Mounting
12	52001162AB	2							ARM, ControlLower
13	52001161AB	4							BUSHING, Control ArmLower

CHEROKEE (XJ)

SERIES	LINE
H = Sport	T = JEEP - 2WD
L = SE	B = JEEP - 2WD (RHD)
P = Classic	J = JEEP - 4WD
S = Limited	U = JEEP - 4WD (RHD)

BODY
74 = 4 Dr (101.4WB)
72 = 2 Dr (101.4WB)

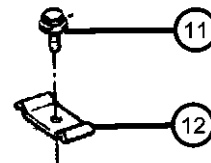
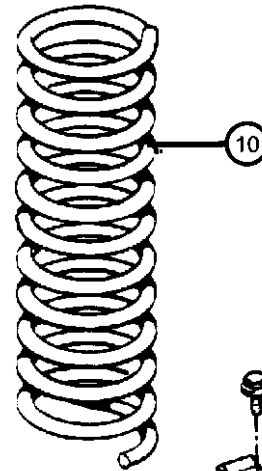
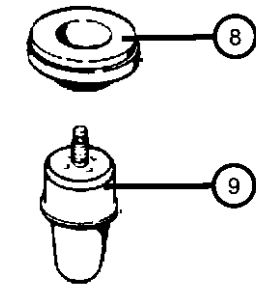
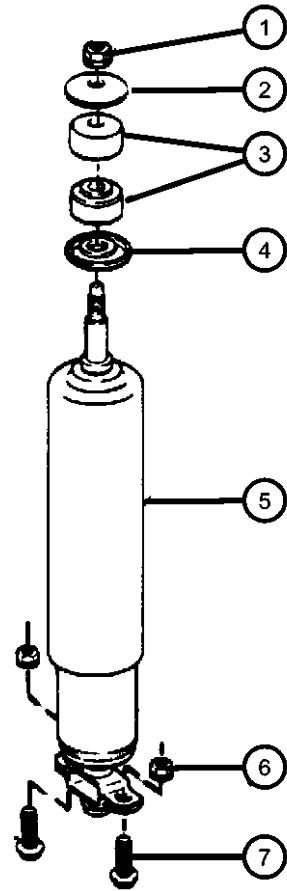
ENGINE
ENC = ENGINE - 2.5L 4 CYL TURBO DIESEL
EPE = ENGINE - 2.5L POWER TECH I-4 Cyl.
ERH = ENGINE - 4.0L POWER TECH I-6

TRANSMISSION
DDD = TRANSMISSION - 5-SPEED HD MANUAL
DDQ = TRANSMISSION - 5-SPEED MANUAL
DGD = TRANSMISSION - 3-SPD. AUTOMATIC,30RH
DGK = TRANSMISSION - 4-SPD. AUTOMATIC,42RE
DGS = TRANSMISSION-4SPD. AUTO,AISIN WARNER
DGT = TRANSMISSION - 4-SPD. AUTOMATIC,46RE
DGW = TRANSMISSION - 4-SPD. AUTOMATIC,44RE
DGX = TRANSMISSION - 4-SPEED AUTOMATIC
DBB = ALL MANUAL TRANSMISSIONS
DGO = ALL AUTOMATIC TRANSMISSIONS

AR = use ase required - = Non illustrated part

2000 XJ

Spring and Shocks,Front
Figure 2-120



ITEM	PART NUMBER	QTY	LINE	SERIES	BODY	ENGINE	TRANS	TRIM	DESCRIPTION
Note:Sales Codes; [SDA]=Suspension - Normal Duty [SDB]=Suspension - Heavy Duty [SDU]=Shocks - High Pressure Gas Charged [ZFD] Thru [ZVJ]= Spring Group Types, Found on Individual Vehicle Sales Code Listing.									
1	06502556	2							NUT, Hex, M10-1.5, Upper Shock, Mounting
2	52038805	2							RETAINER, Shock Absorber, Upper Shock, Mounting
3	52087768	2							GROMMET, Shock Absorber, Upper Shock, Mounting
4	52038809	2							RETAINER, Shock Absorber, Lower Shock, Mounting
5									SHOCK ABSORBER PACKAGE, Suspension, Front
	04897412AD	2			J, U				SDU
	G0089895								Mopar V-Line Alternative Part
	0SGR5128								Rancho Shock
	04897413AD	2							SDA
	G0060052								Mopar V-Line Alternative Part
	0SGR5128								Rancho Shock
	04897414AD	2							SDB
	G0060052								Mopar V-Line Alternative Part
	G0089895								Mopar V-Line Alternative Part
	0SGR5128								Rancho Shock
6	06101695	4							NUT, Hex Flange Lock, Lower Shock, Mounting
7	06502555	4							BOLT, M8x1.25x30, Lower Shock, Mounting
8	52000229	2							ISOLATOR, Spring, Upper
9	52004295	2							BUMPER, Jounce, Upper

CHEROKEE (XJ)

SERIES

H = Sport
L = SE
P = Classic
S = Limited

LINE

T = JEEP - 2WD
B = JEEP - 2WD (RHD)
J = JEEP - 4WD
U = JEEP - 4WD (RHD)

BODY

74 = 4 Dr (101.4WB)
72 = 2 Dr (101.4WB)

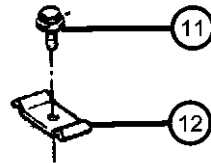
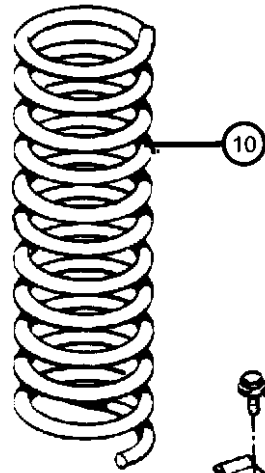
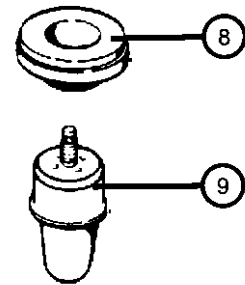
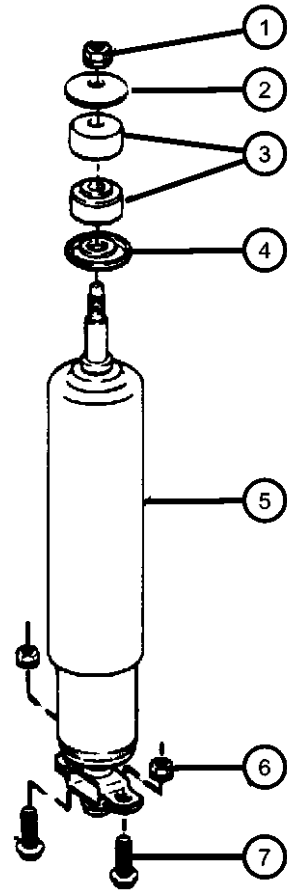
ENGINE

ENC = ENGINE - 2.5L 4 CYL TURBO DIESEL
EPE = ENGINE - 2.5L POWER TECH I-4 Cyl.
ERH = ENGINE - 4.0L POWER TECH I-6

TRANSMISSION

DDD = TRANSMISSION - 5-SPEED HD MANUAL
DDQ = TRANSMISSION - 5-SPEED MANUAL
DGD = TRANSMISSION - 3-SPD. AUTOMATIC,30RH
DGK = TRANSMISSION - 4-SPD. AUTOMATIC,42RE
DGS = TRANSMISSION-4SPD. AUTO,AISIN WARNER
DGT = TRANSMISSION - 4-SPD. AUTOMATIC,46RE
DGW = TRANSMISSION - 4-SPD. AUTOMATIC,44RE
DGX = TRANSMISSION - 4-SPEED AUTOMATIC
DBB = ALL MANUAL TRANSMISSIONS
DGO = ALL AUTOMATIC TRANSMISSIONS

Spring and Shocks,Front
Figure 2-120



ITEM	PART NUMBER	QTY	LINE	SERIES	BODY	ENGINE	TRANS	TRIM	DESCRIPTION
10									SPRING, Front Coil
	52001113	1							ZUD,ZFD
	52001114	1							ZUE,ZFE
	52001115	1							ZUF,ZFF
	52001116	1							ZUG,ZFG
	52001117	1							ZUH,ZFH
	52001118	1							ZUJ,ZFJ
	52001119	1							ZUK,ZFK
	52001120	1							ZVD,ZGD
	52001121	1							ZVE,ZGE
	52001122	1							ZVF,ZGF
	52001123	1							ZVG,ZGG
	52001124	1							ZVH,ZGH
	52001125	1							ZVJ,ZGJ
	52001793	1							ZVK,ZGK
	52001794	1							ZVL,ZGL
11	34201888	2							SCREW, Hex Head, Lower Front Coil, Mounting
12	53000899	2							BRACKET, Spring, Lower Front Coil, Mounting

CHEROKEE (XJ)

SERIES	LINE
H = Sport	T = JEEP - 2WD
L = SE	B = JEEP - 2WD (RHD)
P = Classic	J = JEEP - 4WD
S = Limited	U = JEEP - 4WD (RHD)

BODY
74 = 4 Dr (101.4WB)
72 = 2 Dr (101.4WB)

ENGINE
ENC = ENGINE - 2.5L 4 CYL TURBO DIESEL
EPE = ENGINE - 2.5L POWER TECH I-4 Cyl.
ERH = ENGINE - 4.0L POWER TECH I-6

TRANSMISSION
DDD = TRANSMISSION - 5-SPEED HD MANUAL
DDQ = TRANSMISSION - 5-SPEED MANUAL
DGD = TRANSMISSION - 3-SPD. AUTOMATIC,30RH
DGK = TRANSMISSION - 4-SPD. AUTOMATIC,42RE
DGS = TRANSMISSION-4SPD. AUTO,AISIN WARNER
DGT = TRANSMISSION - 4-SPD. AUTOMATIC,46RE
DGW = TRANSMISSION - 4-SPD. AUTOMATIC,44RE
DGX = TRANSMISSION - 4-SPEED AUTOMATIC
DBB = ALL MANUAL TRANSMISSIONS
DGO = ALL AUTOMATIC TRANSMISSIONS

AR = use ase required - = Non illustrated part

2000 XJ

Front Stabilizer Bar And Track Bar

Figure 2-130

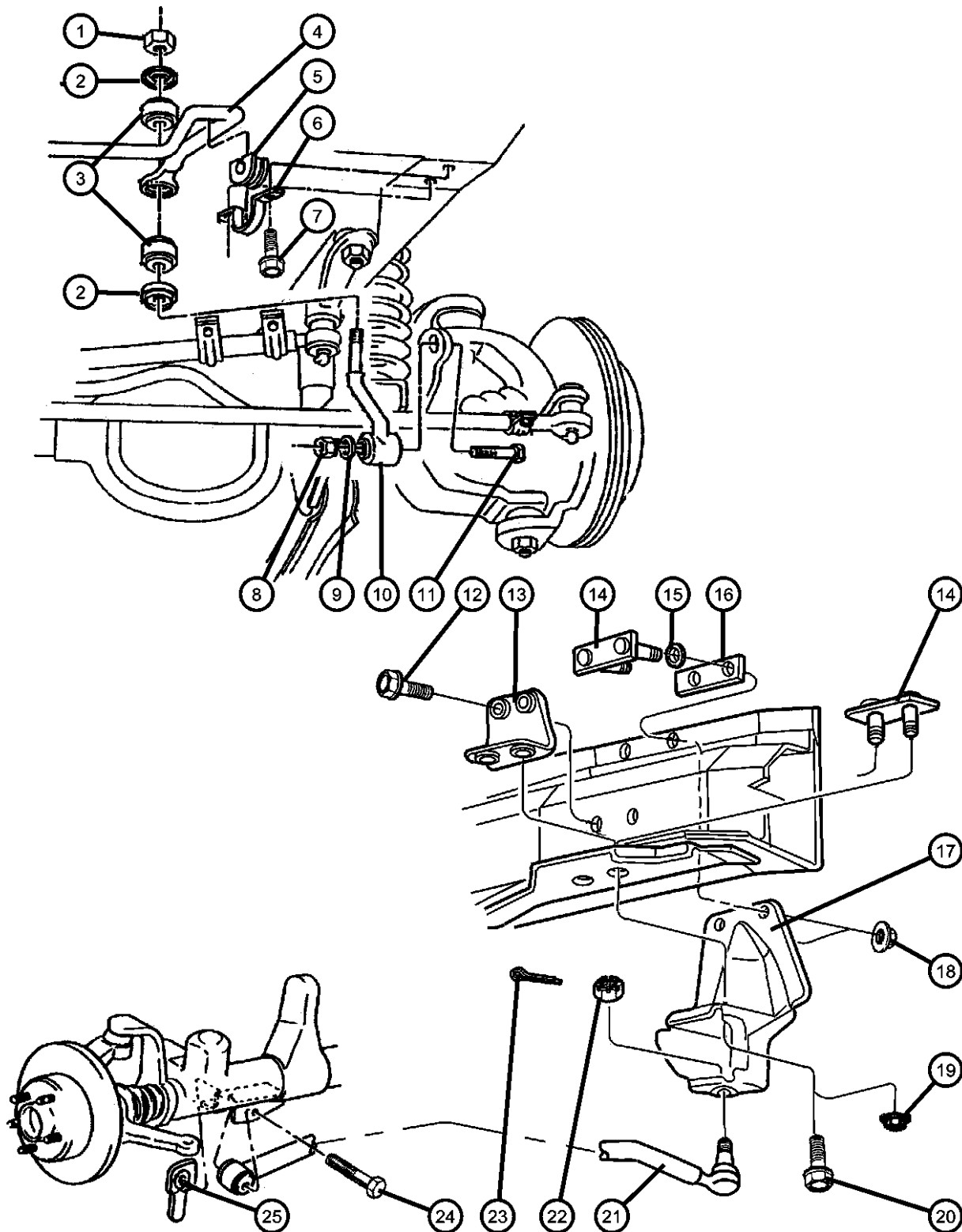
ITEM	PART NUMBER	QTY	LINE	SERIES	BODY	ENGINE	TRANS	TRIM	DESCRIPTION
------	-------------	-----	------	--------	------	--------	-------	------	-------------

Note; Sales Codes;
 [ENC]=Engine - 2.5L Diesel
 [EP0]=Engines - All 2.5L Gas
 [ER0]=Engines - All 4.0L Gas

1	53000899	2							NUT, M10x1.50, (NOT SERVICED)
2	52087668	4							RETAINER, Stabilizer Bar GrommetMounting
3	52001132	4							GROMMET, Stabilizer BarMounting
4	52087859	1							BAR, Front Sway
5	52088523	2							CUSHION, Sway EliminatorMounting
6	52087865	2							RETAINER, Stabilizer Bar GrommetMounting
7	34201540	4							BOLT AND WASHER, Implement Attaching, Sway Bar Retainer, Mounting
8	06502697	2							NUT, Hex Flange Lock, M12x1.75, Sway Bar Link to Axle, Mounting
9	06502697	2							WASHER, Flat, (NOT SERVICED)
10	52037849	2							LINK, Sway EliminatorMounting
11	06503032	2							SCREW, Pan Head, M12 x 1.75 x 58.00, Sway Bar Link to Axle, Mounting
12									BOLT, Hex Flange Head, M10x1.50x35
	06502137	2	B, U			EP0, ER0			Reinforcement, Mounting
		2				ENC			Reinforcement, Mounting
13									REINFORCEMENT, Track Bar
	52037507	1	B, U						Mounting
	52087861	1	J, T			ENC			Mounting
14									PLATE, Track Bar

CHEROKEE (XJ)

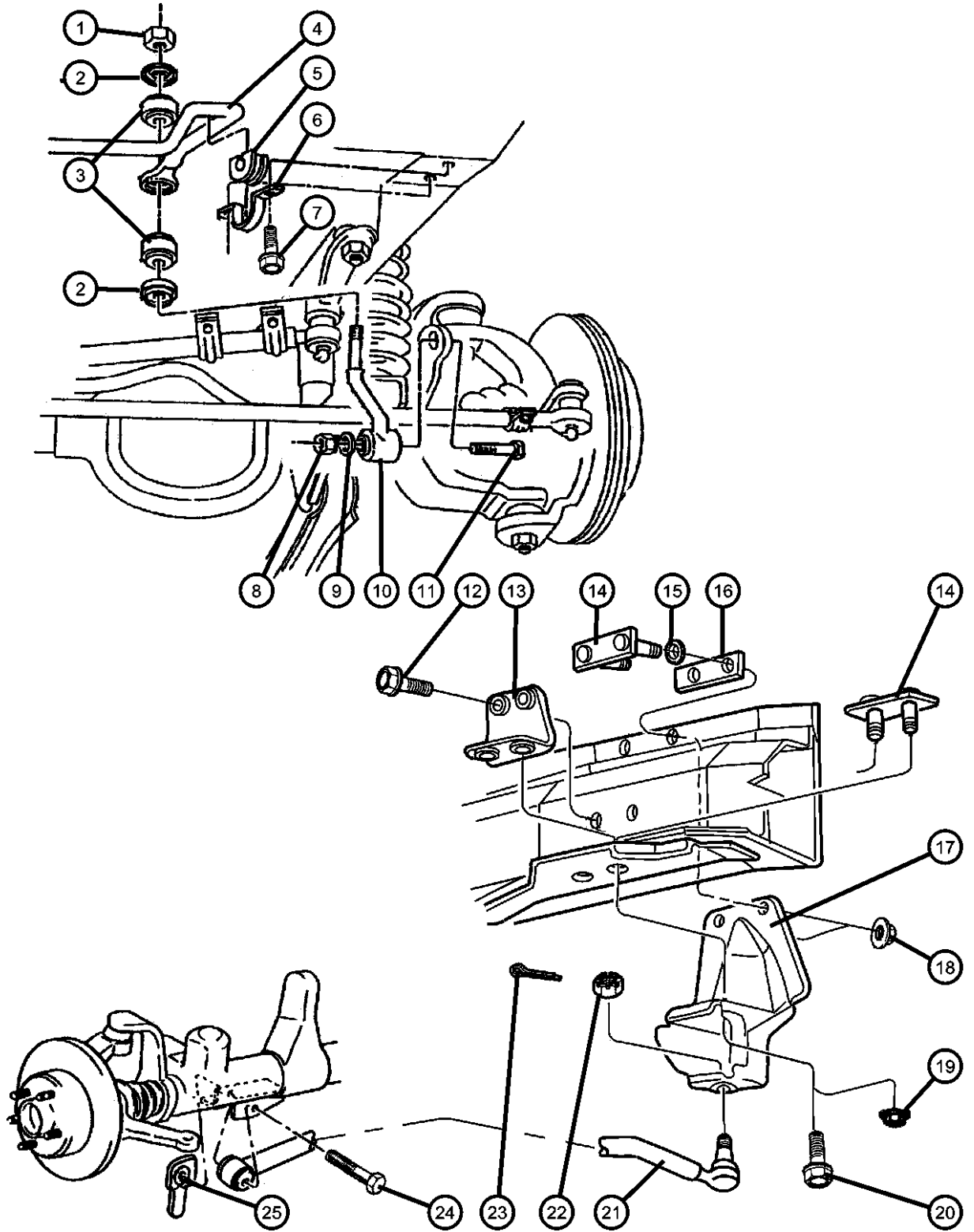
SERIES	LINE	BODY	ENGINE	TRANSMISSION
H = Sport	T = JEEP - 2WD	74 = 4 Dr (101.4WB)	ENC = ENGINE - 2.5L 4 CYL TURBO DIESEL	DDD = TRANSMISSION - 5-SPEED HD MANUAL
L = SE	B = JEEP - 2WD (RHD)	72 = 2 Dr (101.4WB)	EPE = ENGINE - 2.5L POWER TECH I-4 Cyl.	DDQ = TRANSMISSION - 5-SPEED MANUAL
P = Classic	J = JEEP - 4WD		ERH = ENGINE - 4.0L POWER TECH I-6	DGD = TRANSMISSION - 3-SPD. AUTOMATIC,30RH
S = Limited	U = JEEP - 4WD (RHD)			DGK = TRANSMISSION - 4-SPD. AUTOMATIC,42RE
				DGS = TRANSMISSION-4SPD. AUTO,AISIN WARNER
				DGT = TRANSMISSION - 4-SPD. AUTOMATIC,46RE
				DGW = TRANSMISSION - 4-SPD. AUTOMATIC,44RE
				DGX = TRANSMISSION - 4-SPEED AUTOMATIC
				DBB = ALL MANUAL TRANSMISSIONS
				DGO = ALL AUTOMATIC TRANSMISSIONS



AR = use ase required - = Non illustrated part

**Front Stabilizer Bar And Track Bar
Figure 2-130**

ITEM	PART NUMBER	QTY	LINE	SERIES	BODY	ENGINE	TRANS	TRIM	DESCRIPTION
------	-------------	-----	------	--------	------	--------	-------	------	-------------



	52001493	1	B, U			EPO			Mounting
		1	J, T			EPO			Mounting
15	J0120396	1	B, U						WASHER, Flat, .531x1.09
16	J0120396	1							BRACKET, Sill, (NOT SERVICED)
17									BRACKET, Track Bar
	52006508AC	1	B, U						Mounting
	52007121AC	1	J, T						Mounting
18	06502697	2							NUT, Hex Flange Lock, M12x1.75, Bracket to Reinforcement, Mounting
19	06502697	2							NUT, Hex Flange Lock, M12x1.75, Bracket to Track Bar Plate, Mounting
20	34201964	2							BOLT, Hex Flange Head, M12x1.75x40, Bracket to Reinforcement, Mounting
21									BAR, Track
	52007118	1	J, T						
	53054317	1	B, U						
22	J0274428	1							NUT, Hex Slotted, Track Bar to Bracket, Mounting
23	34202101	1							PIN, Cotter, Track Bar, Mounting
24	06505549AA	1							SCREW, Track Bar To Axle, Mounting
25									NUT, Hex Flange Lock, M10x1.5
	06506264AA	1	J, T						Track Bar To Axle, Mounting
	52087888	1	B, U						Track Bar To Axle, Mounting

CHEROKEE (XJ)		BODY	ENGINE	TRANSMISSION
SERIES	LINE			
H = Sport	T = JEEP - 2WD	74 = 4 Dr (101.4WB)	ENC = ENGINE - 2.5L 4 CYL TURBO DIESEL	DDD = TRANSMISSION - 5-SPEED HD MANUAL
L = SE	B = JEEP - 2WD (RHD)	72 = 2 Dr (101.4WB)	EPE = ENGINE - 2.5L POWER TECH I-4 Cyl.	DDQ = TRANSMISSION - 5-SPEED MANUAL
P = Classic	J = JEEP - 4WD		ERH = ENGINE - 4.0L POWER TECH I-6	DGD = TRANSMISSION - 3-SPD. AUTOMATIC,30RH
S = Limited	U = JEEP - 4WD (RHD)			DGK = TRANSMISSION - 4-SPD. AUTOMATIC,42RE
				DGS = TRANSMISSION-4SPD. AUTO,AISIN WARNER
				DGT = TRANSMISSION - 4-SPD. AUTOMATIC,46RE
				DGW = TRANSMISSION - 4-SPD. AUTOMATIC,44RE
				DGX = TRANSMISSION - 4-SPEED AUTOMATIC
				DBB = ALL MANUAL TRANSMISSIONS
				DGO = ALL AUTOMATIC TRANSMISSIONS

AR = use ase required - = Non illustrated part

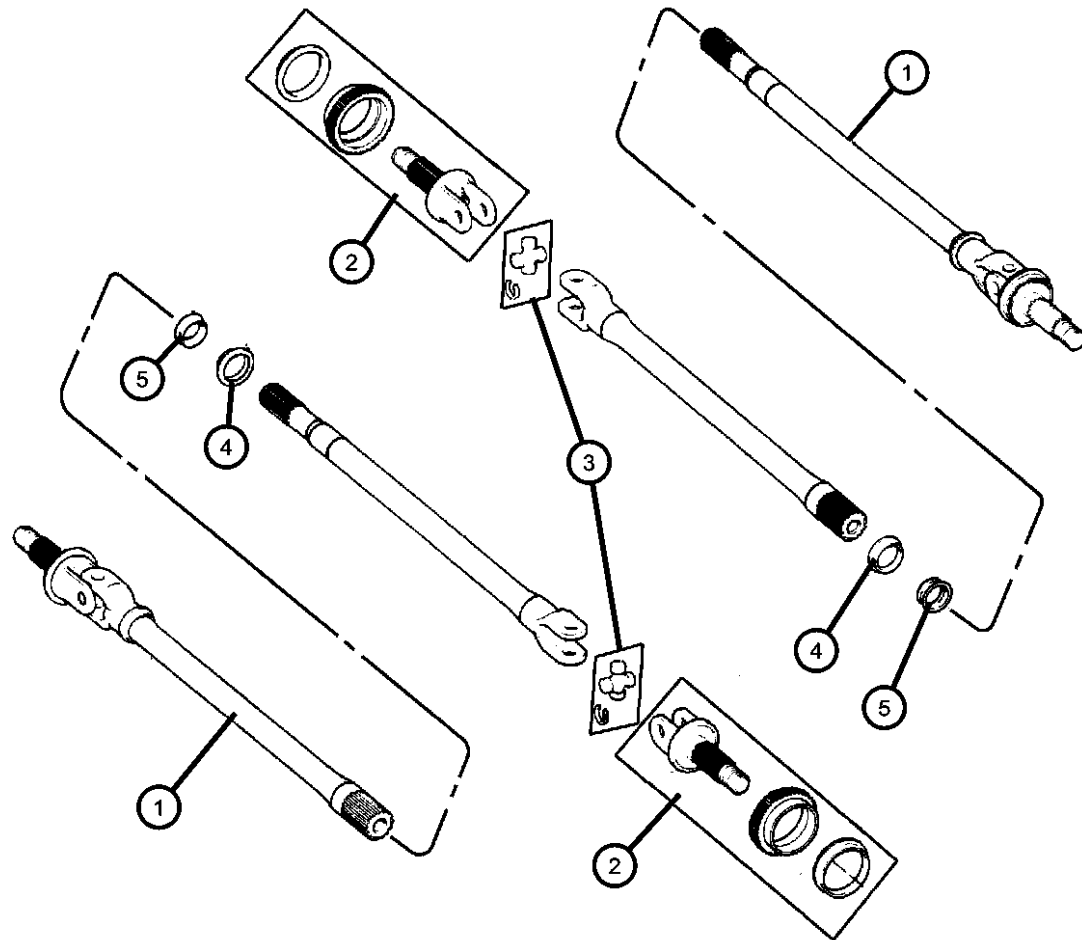
Shafts,Front Axle
Figure 2-210

ITEM	PART NUMBER	QTY	LINE	SERIES	BODY	ENGINE	TRANS	TRIM	DESCRIPTION
------	-------------	-----	------	--------	------	--------	-------	------	-------------

Note;Sales Codes:

[BGA]=Brakes - Power Front Disc/Rear Drum

[BGK]=Brakes - 4 Wheel Anti-Lock



1									SHAFT, Axle
	04874302	1	U						[BGA], Right
		1	J						[BGA], Right
	04874303	1	U						[BGA], Left
		1	J						[BGA], Left
	04874306	1	J						[BGK], Right
		1	U						[BGK], Right
	04874307	1	J						[BGK], Left
		1	U						[BGK], Left
2									SHAFT, Stub
	04728984	1	J						[BGK], Right or Left
		1	U						[BGK], Right or Left
	83500184	1	U						[BGA], Right or Left
		1	J						[BGA], Right or Left
3									U JOINT, Front Axle
	04137757	2	J						Right or Left
		2	U						Right or Left
4									SLINGER, Oil
	04882135	2	J						Right or Left
		2	U						Right or Left
5									SEAL, Axle Drive Shaft
	04874477	2	J						Right or Left
		2	U						[DMD,DMM], Right or Left

CHEROKEE (XJ)

SERIES

H = Sport

L = SE

P = Classic

S = Limited

LINE

T = JEEP - 2WD

B = JEEP - 2WD (RHD)

J = JEEP - 4WD

U = JEEP - 4WD (RHD)

BODY

74 = 4 Dr (101.4WB)

72 = 2 Dr (101.4WB)

ENGINE

ENC = ENGINE - 2.5L 4 CYL

TURBO DIESEL

EPE = ENGINE - 2.5L POWER

TECH I-4 Cyl.

ERH = ENGINE - 4.0L

POWER TECH I-6

TRANSMISSION

DDD = TRANSMISSION - 5-SPEED

HD MANUAL

DDQ = TRANSMISSION - 5-SPEED

MANUAL

DGD = TRANSMISSION - 3-SPD.

AUTOMATIC,30RH

DGK = TRANSMISSION - 4-SPD.

AUTOMATIC,42RE

DGS = TRANSMISSION-4SPD.

AUTO,AISIN WARNER

DGT = TRANSMISSION - 4-SPD.

AUTOMATIC,46RE

DGW = TRANSMISSION - 4-SPD.

AUTOMATIC,44RE

DGX = TRANSMISSION - 4-SPEED

AUTOMATIC

DBB = ALL MANUAL

TRANSMISSIONS

DGO = ALL AUTOMATIC

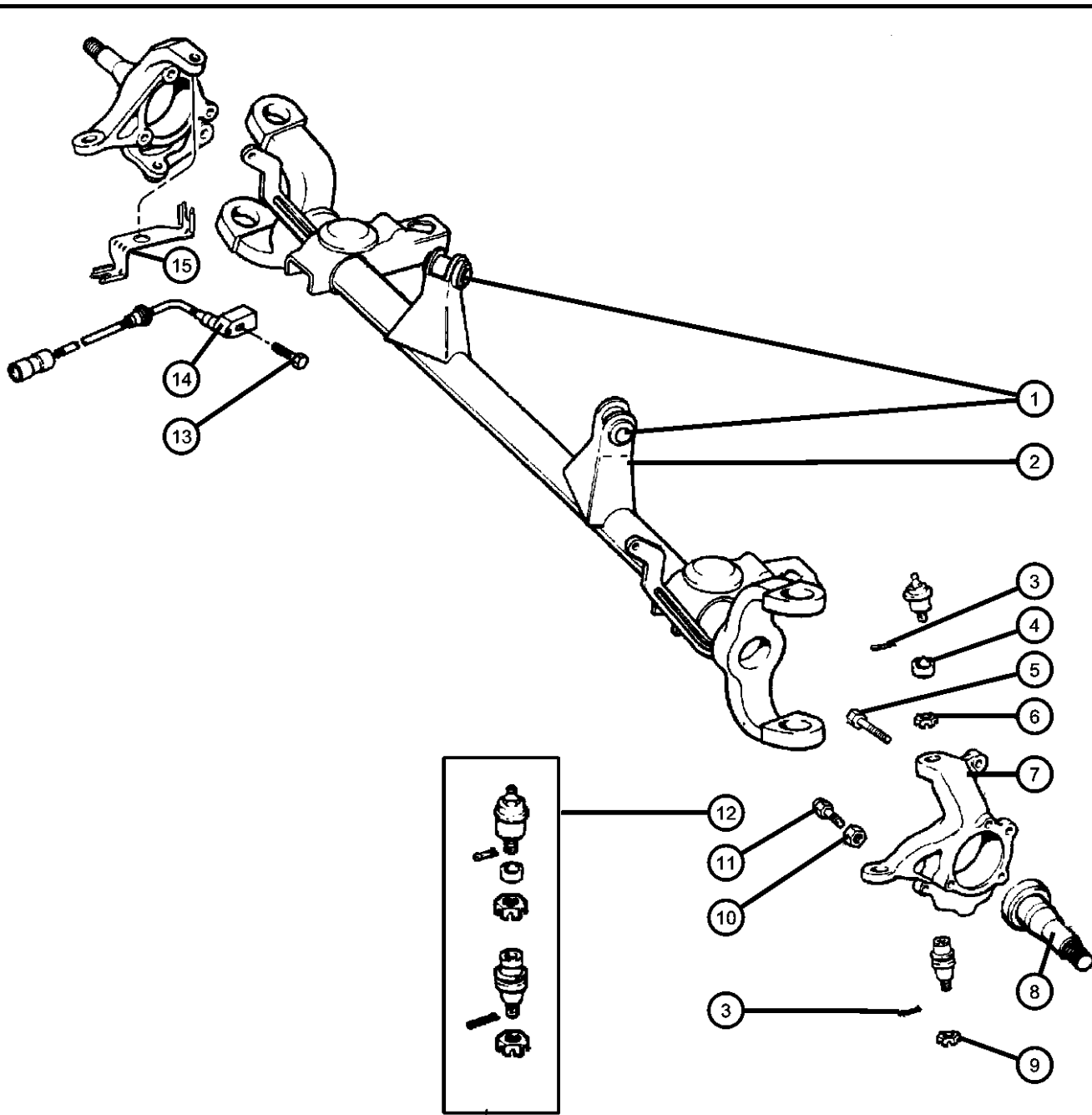
TRANSMISSIONS

AR = use ase required - = Non illustrated part

2000 XJ

Housing,Front Axle,2 Wheel Drive

Figure 2-310



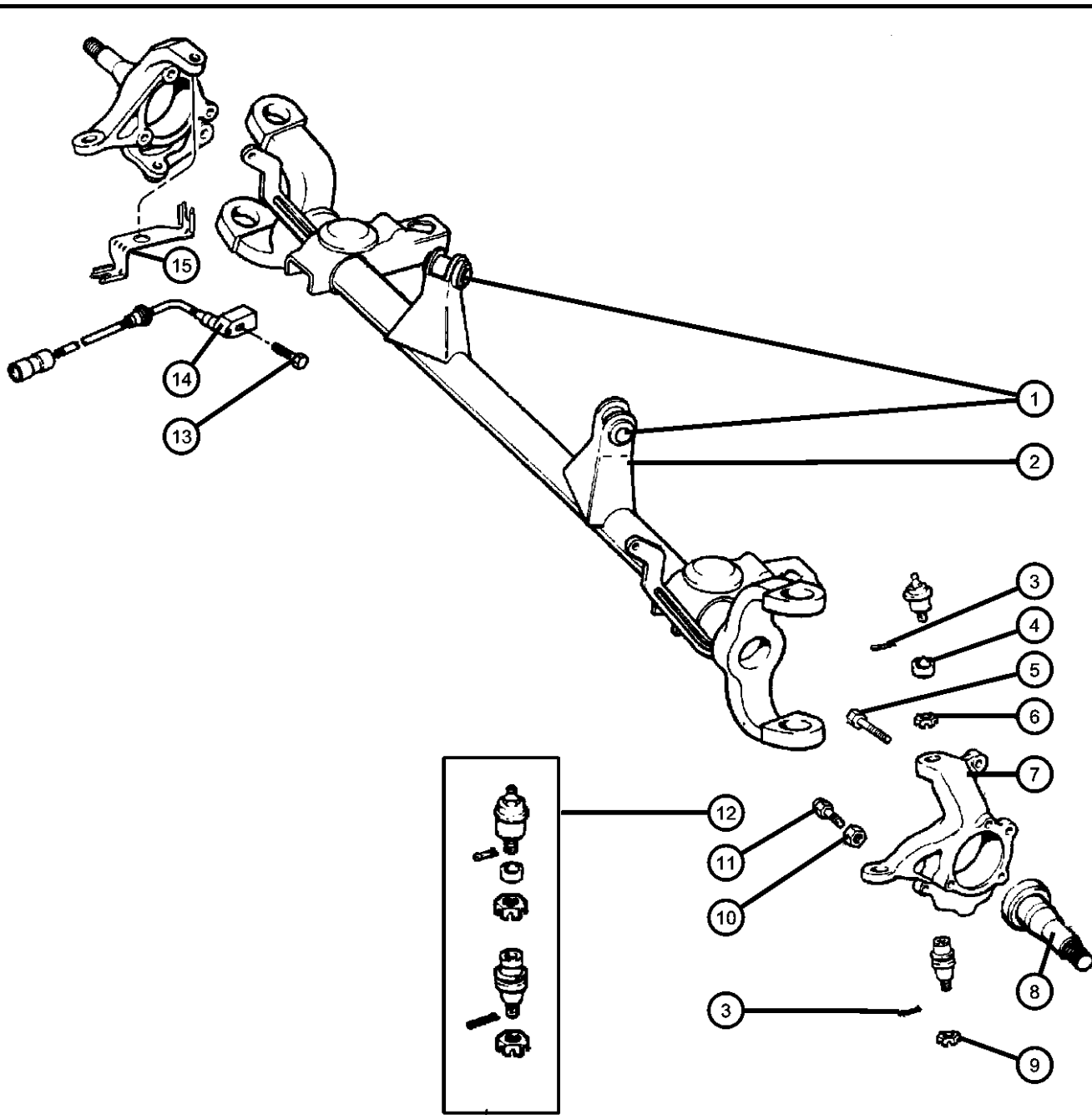
ITEM	PART NUMBER	QTY	LINE	SERIES	BODY	ENGINE	TRANS	TRIM	DESCRIPTION
1	52087852	2	T						BUSHING, Control Arm
		2	B		74				
2	04773430	1	B		74				HOUSING, Front Axle
	05017166AA	1	T						
3	J8121392	2	T						PIN, Cotter
		2	B		74				
4	83500203	1	T						RING, Ball Joint
		1	B		74				
5	34201535	6	B		74				BOLT Knuckle to Hub and Bearing, Mounting
		6	T						Knuckle to Hub and Bearing, Mounting
6	J0125258	1	T						NUT, Steering Knuckle Socket
		1	B		74				
7	52067576	1	B		74				KNUCKLE, Front Right
		1	T						Right
	52067577	1	B		74				Left
		1	T						Left
8	04741011	2	T						SHAFT, Dummy Right or Left

CHEROKEE (XJ)

SERIES	LINE	BODY	ENGINE	TRANSMISSION
H = Sport	T = JEEP - 2WD	74 = 4 Dr (101.4WB)	ENC = ENGINE - 2.5L 4 CYL TURBO DIESEL	DDD = TRANSMISSION - 5-SPEED HD MANUAL
L = SE	B = JEEP - 2WD (RHD)	72 = 2 Dr (101.4WB)	EPE = ENGINE - 2.5L POWER TECH I-4 Cyl.	DDQ = TRANSMISSION - 5-SPEED MANUAL
P = Classic	J = JEEP - 4WD		ERH = ENGINE - 4.0L POWER TECH I-6	DGD = TRANSMISSION - 3-SPD. AUTOMATIC,30RH
S = Limited	U = JEEP - 4WD (RHD)			DGK = TRANSMISSION - 4-SPD. AUTOMATIC,42RE
				DGS = TRANSMISSION-4SPD. AUTO,AISIN WARNER
				DGT = TRANSMISSION - 4-SPD. AUTOMATIC,46RE
				DGW = TRANSMISSION - 4-SPD. AUTOMATIC,44RE
				DGX = TRANSMISSION - 4-SPEED AUTOMATIC
				DBB = ALL MANUAL TRANSMISSIONS
				DGO = ALL AUTOMATIC TRANSMISSIONS

AR = use ase required - = Non illustrated part

Housing,Front Axle,2 Wheel Drive
Figure 2-310



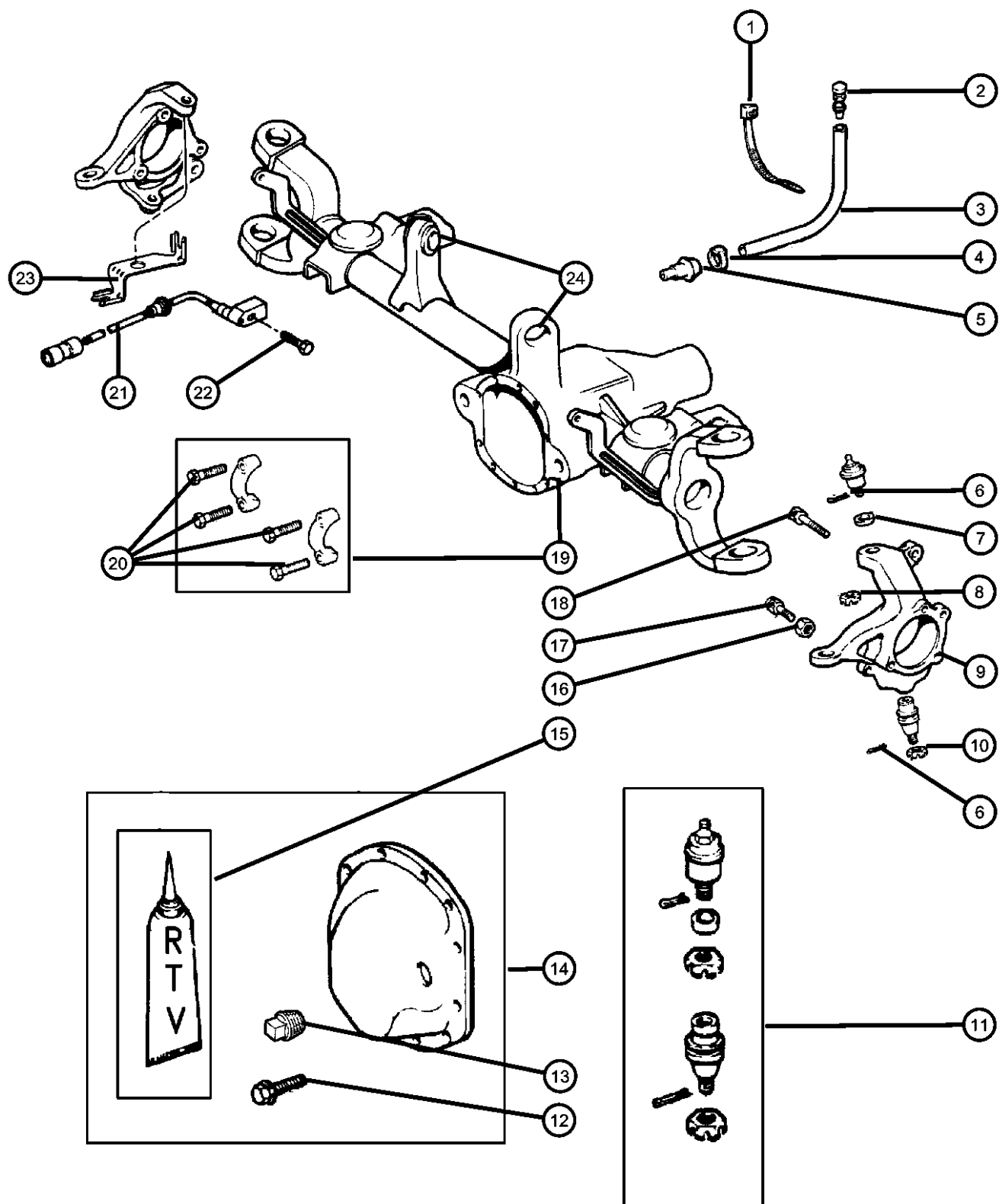
ITEM	PART NUMBER	QTY	LINE	SERIES	BODY	ENGINE	TRANS	TRIM	DESCRIPTION
9		2	B		74				Right or Left NUT
	J8123318	1	T						
10		1	B		74				NUT, Steering Knuckle Stop
	S0114494	2	T						
		2	B		74				Stop
11		2	B		74				BOLT, Steering Knuckle Stop
	01791701	2	B		74				
		2	T						
12		2	T						BALL JOINT KIT, Knuckle
	83500202	2	T						
		2	B		74				
13		2	T						BOLT ABS Sensor, Mounting
	83504920	2	T						
		2	B		74				ABS Sensor, Mounting
14		2	T						SENSOR, Anti-Lock Brakes
	56005217	2	T						
		2	B		74				
15		1	T						BRACKET, Brake Sensor Right
	56026766	1	T						
		1	B		74				Right
	56026767	1	T						Left
		1	B		74				Left

CHEROKEE (XJ)
 SERIES LINE BODY ENGINE TRANSMISSION
 H = Sport T = JEEP - 2WD 74 = 4 Dr (101.4WB) ENC = ENGINE - 2.5L 4 CYL TURBO DIESEL DDD = TRANSMISSION - 5-SPEED HD MANUAL
 L = SE B = JEEP - 2WD (RHD) EPE = ENGINE - 2.5L POWER TECH I-4 Cyl. DDQ = TRANSMISSION - 5-SPEED MANUAL
 P = Classic J = JEEP - 4WD ERH = ENGINE - 4.0L DGD = TRANSMISSION - 3-SPD. AUTOMATIC,30RH
 S = Limited U = JEEP - 4WD (RHD) POWER TECH I-6 DGS = TRANSMISSION-4SPD. AUTOMATIC,42RE
 DGT = TRANSMISSION - 4-SPD. AUTOMATIC,46RE
 DGW = TRANSMISSION - 4-SPD. AUTOMATIC,44RE
 DGX = TRANSMISSION - 4-SPEED AUTOMATIC
 DBB = ALL MANUAL TRANSMISSIONS
 DGO = ALL AUTOMATIC TRANSMISSIONS

AR = use ase required - = Non illustrated part

Housing,Front Axle,4 Wheel Drive

Figure 2-320



ITEM	PART NUMBER	QTY	LINE	SERIES	BODY	ENGINE	TRANS	TRIM	DESCRIPTION
------	-------------	-----	------	--------	------	--------	-------	------	-------------

Note: Sales Codes;
 [ENC]=Engine - 2.5L 4 Cylinder Turbo Diesel
 [EN0]=Engines - All 4/5 Cylinder Turbo Diesel
 [EP0]=Engines - All 2.5L 4 Cylinder Gas
 [ER0]=Engines - All 4.0L 6 Cylinder Gas

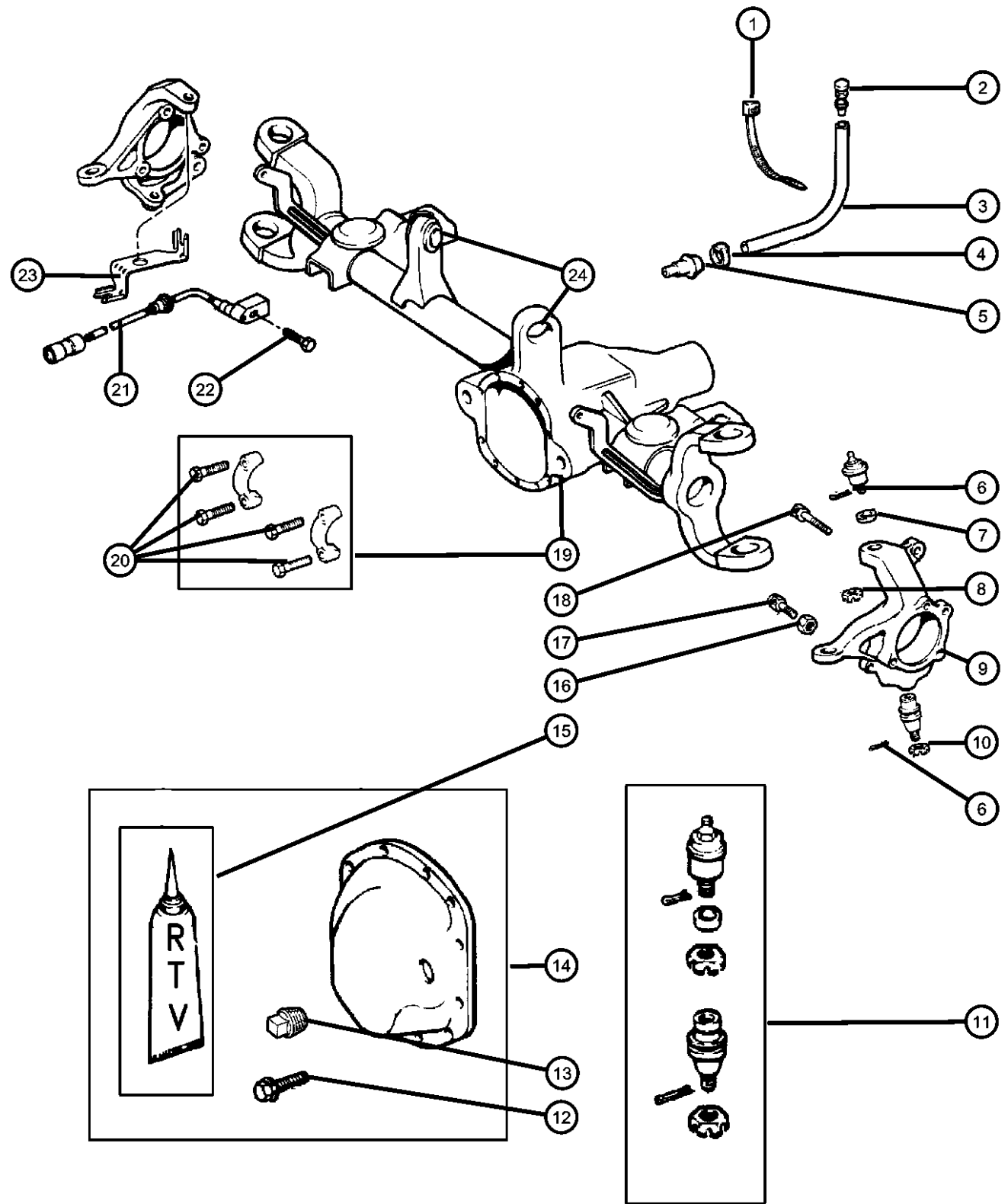
1	04641780	1	J, U						STRAP, Tie, Holds Upper Vent Hose
2	J5352955	1	J, U						VENT, AxleUpper
3	HFV00516	1	J, U						HOSE, Fuel And Vapor, 25 Foot Roll 5/16", Axle Vent
4	06502081	2	J, U						CLAMP, Oil Cooler LineLower
5									VENT, Axle Lower
	83504653	1	J						Lower
		1	U						Lower
6									PIN, Cotter, M4x40.00
	11010069	2	U						
		2	J						
7									RING, Ball Joint
	83500203	1	U						
		1	J						
8									NUT, Steering Knuckle Socket
	J0125258	2	U						
		2	J						
9									KNUCKLE, Front
	05015980AA	1	J						Right
		1	U						Right
	05015981AA	1	J						Left
		1	U						Left

CHEROKEE (XJ)

SERIES	LINE	BODY	ENGINE	TRANSMISSION
H = Sport	T = JEEP - 2WD	74 = 4 Dr (101.4WB)	ENC = ENGINE - 2.5L 4 CYL TURBO DIESEL	DDD = TRANSMISSION - 5-SPEED HD MANUAL
L = SE	B = JEEP - 2WD (RHD)	72 = 2 Dr (101.4WB)	EPE = ENGINE - 2.5L POWER TECH I-4 Cyl.	DDQ = TRANSMISSION - 5-SPEED MANUAL
P = Classic	J = JEEP - 4WD		ERH = ENGINE - 4.0L POWER TECH I-6	DGD = TRANSMISSION - 3-SPD. AUTOMATIC,30RH
S = Limited	U = JEEP - 4WD (RHD)			DGK = TRANSMISSION - 4-SPD. AUTOMATIC,42RE
				DGS = TRANSMISSION-4SPD. AUTO,AISIN WARNER
				DGT = TRANSMISSION - 4-SPD. AUTOMATIC,46RE
				DGW = TRANSMISSION - 4-SPD. AUTOMATIC,44RE
				DGX = TRANSMISSION - 4-SPEED AUTOMATIC
				DBB = ALL MANUAL TRANSMISSIONS
				DGO = ALL AUTOMATIC TRANSMISSIONS

AR = use ase required - = Non illustrated part

Housing,Front Axle,4 Wheel Drive
Figure 2-320



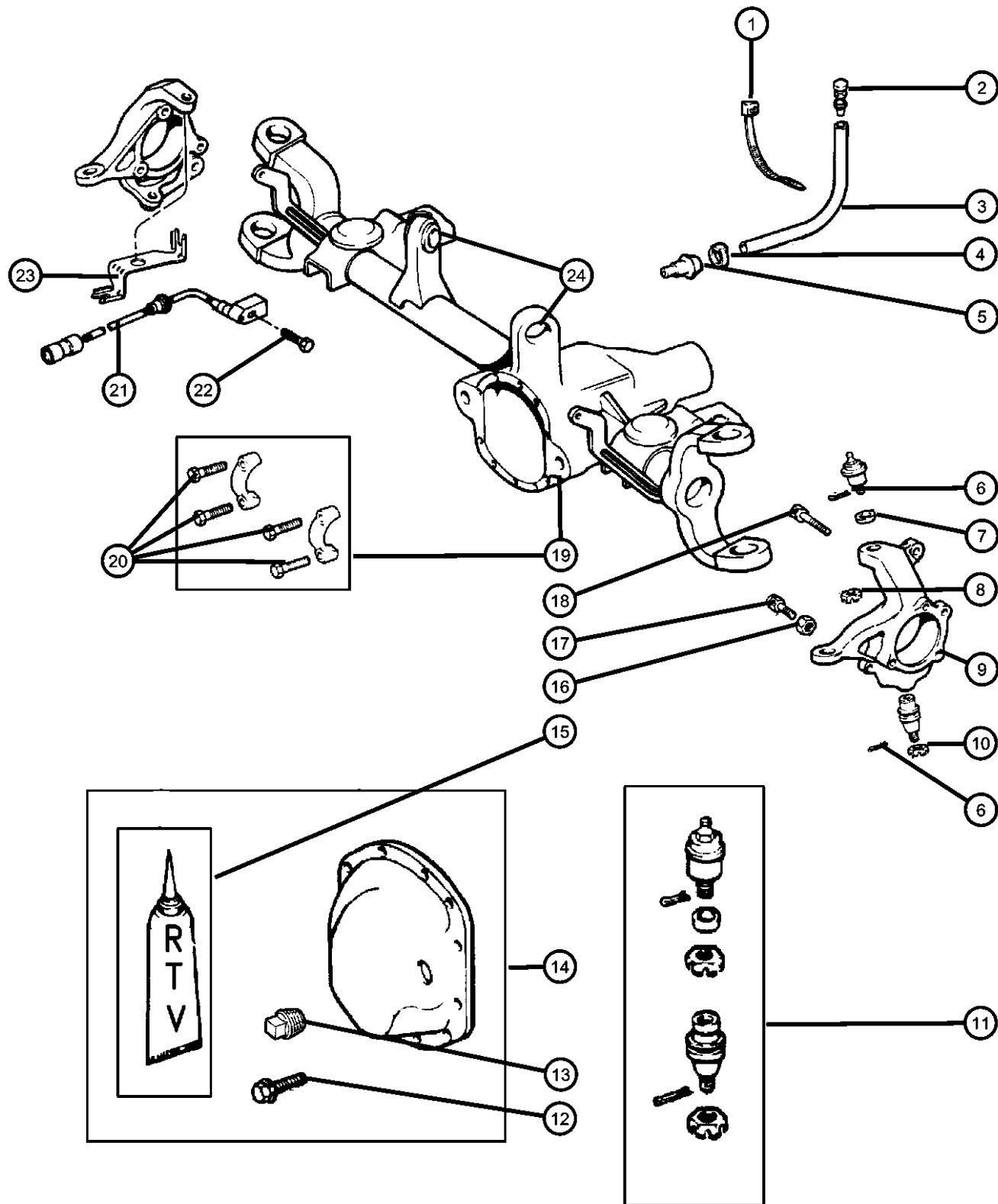
ITEM	PART NUMBER	QTY	LINE	SERIES	BODY	ENGINE	TRANS	TRIM	DESCRIPTION
10	J8123318	2	J						NUT
		2	U						
11	83500202	2	J						BALL JOINT KIT, Knuckle
		2	U						
12	02954031	10	J						BOLT, Differential Cover
		10	U						
13	J4004751	1	J						PLUG, Differential Cover
		1	U						
14	05252583	1	J						COVER, Differential
		1	U						
15	05010884AA	1	J						SEALANT, RTV
		1	U						
16	S0114494	2	U						NUT, Steering Knuckle Stop
		2	J						Stop
17	01791701	2	J						BOLT, Steering Knuckle Stop
		2	U						
18									BOLT

CHEROKEE (XJ)

SERIES	LINE	BODY	ENGINE	TRANSMISSION
H = Sport	T = JEEP - 2WD	74 = 4 Dr (101.4WB)	ENC = ENGINE - 2.5L 4 CYL TURBO DIESEL	DDD = TRANSMISSION - 5-SPEED HD MANUAL
L = SE	B = JEEP - 2WD (RHD)	72 = 2 Dr (101.4WB)	EPE = ENGINE - 2.5L POWER TECH I-4 Cyl.	DDQ = TRANSMISSION - 5-SPEED MANUAL
P = Classic	J = JEEP - 4WD		ERH = ENGINE - 4.0L POWER TECH I-6	DGD = TRANSMISSION - 3-SPD. AUTOMATIC,30RH
S = Limited	U = JEEP - 4WD (RHD)			DGK = TRANSMISSION - 4-SPD. AUTOMATIC,42RE
				DGS = TRANSMISSION-4SPD. AUTO,AISIN WARNER
				DGT = TRANSMISSION - 4-SPD. AUTOMATIC,46RE
				DGW = TRANSMISSION - 4-SPD. AUTOMATIC,44RE
				DGX = TRANSMISSION - 4-SPEED AUTOMATIC
				DBB = ALL MANUAL TRANSMISSIONS
				DGO = ALL AUTOMATIC TRANSMISSIONS

AR = use ase required - = Non illustrated part

Housing,Front Axle,4 Wheel Drive
Figure 2-320



ITEM	PART NUMBER	QTY	LINE	SERIES	BODY	ENGINE	TRANS	TRIM	DESCRIPTION
	34201535	6	J						Mounting
		6	U						Mounting
19									HOUSING, Front Axle
	04773429	1	J						[DMF] Includes Item 24
	04773458	1	U						[DMF] Includes Item 24
	04778905	1	J			ENC			[DME] Includes Item 24
	04797774	1	U			ENC			[DME] Includes Item 24
	05015978AA	1	J						[DMD, DMM] Includes Item 24
	05016112AA	1	U						[DMD] Includes Item 24
20									BOLT, Differential
	04897482AB	4	U						
		4	J						
21									SENSOR, Anti-Lock Brakes
	56005217	2	J						
		2	U						
22	83504920	2							BOLT, ABS Sensor, Mounting
23									BRACKET, Brake Sensor
	56026766	1	J						ABS, Right
		1	U						ABS, Right
	56026767	1	J						ABS, Left
		1	U						ABS, Left
24									BUSHING, Control Arm
	52038025	2	J						Front, Upper
		2	U						Front, Upper

CHEROKEE (XJ)

SERIES	LINE
H = Sport	T = JEEP - 2WD
L = SE	B = JEEP - 2WD (RHD)
P = Classic	J = JEEP - 4WD
S = Limited	U = JEEP - 4WD (RHD)

BODY
74 = 4 Dr (101.4WB)
72 = 2 Dr (101.4WB)

ENGINE
ENC = ENGINE - 2.5L 4 CYL TURBO DIESEL
EPE = ENGINE - 2.5L POWER TECH I-4 Cyl.
ERH = ENGINE - 4.0L POWER TECH I-6

TRANSMISSION
DDD = TRANSMISSION - 5-SPEED HD MANUAL
DDQ = TRANSMISSION - 5-SPEED MANUAL
DGD = TRANSMISSION - 3-SPD. AUTOMATIC,30RH
DGK = TRANSMISSION - 4-SPD. AUTOMATIC,42RE
DGS = TRANSMISSION-4SPD. AUTO,AISIN WARNER
DGT = TRANSMISSION - 4-SPD. AUTOMATIC,46RE
DGW = TRANSMISSION - 4-SPD. AUTOMATIC,44RE
DGX = TRANSMISSION - 4-SPEED AUTOMATIC
DBB = ALL MANUAL TRANSMISSIONS
DGO = ALL AUTOMATIC TRANSMISSIONS

AR = use ase required - = Non illustrated part

**Axle Assembly,Front,4 Wheel Drive
Figure 2-410**

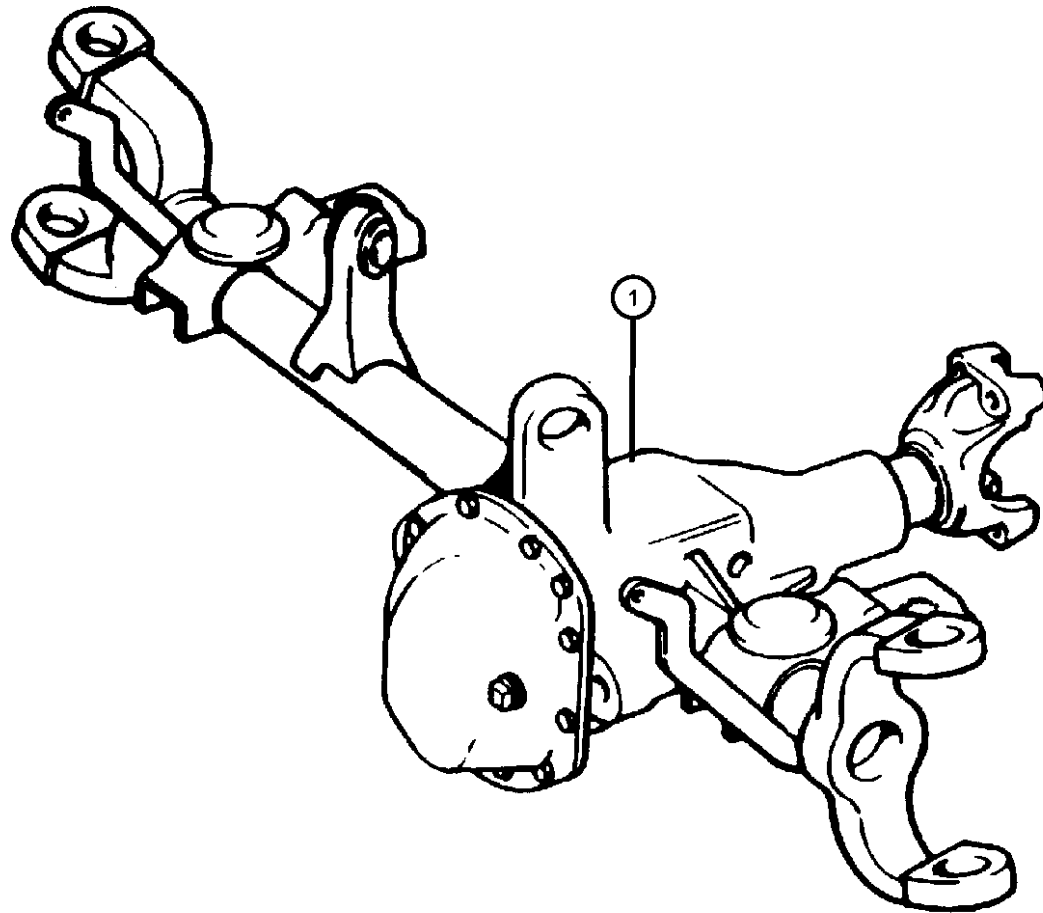
ITEM	PART NUMBER	QTY	LINE	SERIES	BODY	ENGINE	TRANS	TRIM	DESCRIPTION
------	-------------	-----	------	--------	------	--------	-------	------	-------------

Note: Sales Codes;
 [DMD]=Axle Ratio - 3.55
 [DME]=Axle Ratio - 3.73
 [DMF]=Axle Ratio - 4.10
 [DMM]=Axle Ratio - 3.07
 [ENC]=Engine - 2.5L 4 Cylinder Turbo Diesel

1

AXLE, Service Front

04773454	1	J							[DMF]
04874468									Mopar SAE 80W-90 Gear Lube Quart Bottle
68003054AA									Mopar SAE 80W-90 Gear Lube 16 Gallon Keg
04874469									Mopar SAE 75W-140 Synthetic Gear and Axle Lube Quart
68003055AA									Mopar SAE 75W-140 Synthetic Gear and Axle Lube 16 Gallon Keg
04778909	1	J				ENC			[DME]
04797780	1	U				ENC			[DME]
04798029	1	U							[DMF]
04874468									Mopar SAE 80W-90 Gear Lube Quart Bottle
68003054AA									Mopar SAE 80W-90 Gear Lube 16 Gallon Keg
04874469									Mopar SAE 75W-140 Synthetic Gear and Axle Lube Quart
68003055AA									Mopar SAE 75W-140 Synthetic Gear and Axle Lube 16 Gallon Keg
05015979AA	1	J							[DMM]
05015982AA	1	J							[DMD]
05016113AA	1	U							[DMD]



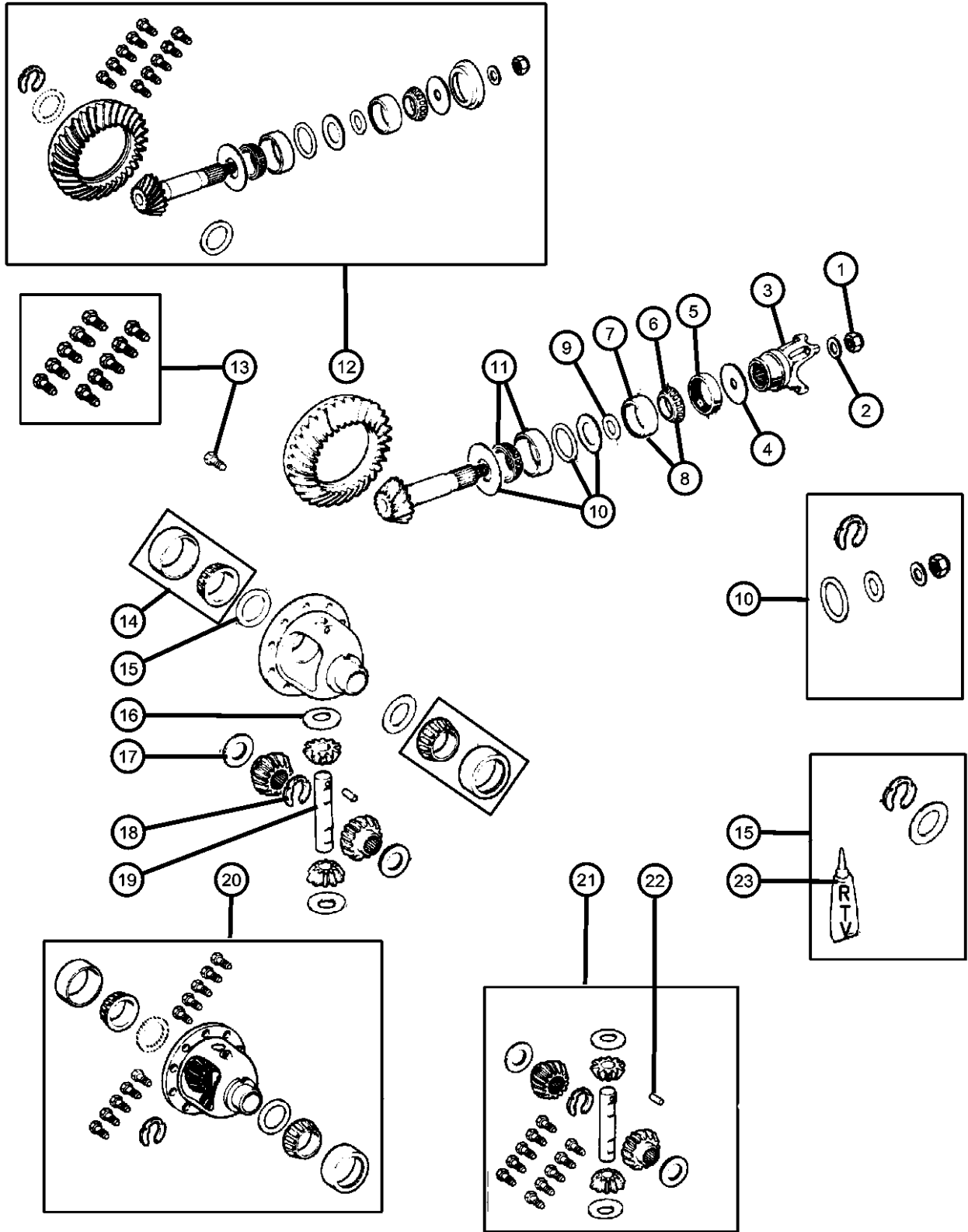
CHEROKEE (XJ)

SERIES	LINE	BODY	ENGINE	TRANSMISSION
H = Sport	T = JEEP - 2WD	74 = 4 Dr (101.4WB)	ENC = ENGINE - 2.5L 4 CYL TURBO DIESEL	DDD = TRANSMISSION - 5-SPEED HD MANUAL
L = SE	B = JEEP - 2WD (RHD)	72 = 2 Dr (101.4WB)	EPE = ENGINE - 2.5L POWER TECH I-4 Cyl.	DDQ = TRANSMISSION - 5-SPEED MANUAL
P = Classic	J = JEEP - 4WD		ERH = ENGINE - 4.0L POWER TECH I-6	DGD = TRANSMISSION - 3-SPD. AUTOMATIC,30RH
S = Limited	U = JEEP - 4WD (RHD)			DGK = TRANSMISSION - 4-SPD. AUTOMATIC,42RE
				DGS = TRANSMISSION-4SPD. AUTO,AISIN WARNER
				DGT = TRANSMISSION - 4-SPD. AUTOMATIC,46RE
				DGW = TRANSMISSION - 4-SPD. AUTOMATIC,44RE
				DGX = TRANSMISSION - 4-SPEED AUTOMATIC
				DBB = ALL MANUAL TRANSMISSIONS
				DGO = ALL AUTOMATIC TRANSMISSIONS

AR = use ase required - = Non illustrated part

2000 XJ

**Differential,Front Axle
Figure 2-610**



ITEM	PART NUMBER	QTY	LINE	SERIES	BODY	ENGINE	TRANS	TRIM	DESCRIPTION
------	-------------	-----	------	--------	------	--------	-------	------	-------------

Note: Sales Codes;
 [DMD]=Axle Ratio - 3.55
 [DME]=Axle Ratio - 3.73
 [DMF]=Axle Ratio - 4.10
 [DMM]=Axle Ratio - 3.07
 [ENC]=Engine - 2.5L 4 Cylinder Turbo Diesel

1									NUT, Pinion Yoke
	01791575	1	J						
		1	U						
2									WASHER, Pinion Yoke
	01791576	1	J						
		1	U						
3									YOKE, Axle
	83503388	1	J						
		1	U						
4									SLINGER, Drive Pinion
	04031974	1	J						
		1	U						
5									SEAL, Drive Pinion
	04746772	1	J						
		1	U						
6									BEARING, Drive Pinion
	J0052878	1	U						[DME,DMF] Bearing Only, Front
		1	J						[DME,DMF] Bearing Only, Front
7									CUP, Pinion Bearing
	J0052879	1	U						[DME,DMF] Cup Only, Front
		1	J						[DME,DMF] Cup Only, Front

CHEROKEE (XJ)

SERIES	LINE
H = Sport	T = JEEP - 2WD
L = SE	B = JEEP - 2WD (RHD)
P = Classic	J = JEEP - 4WD
S = Limited	U = JEEP - 4WD (RHD)

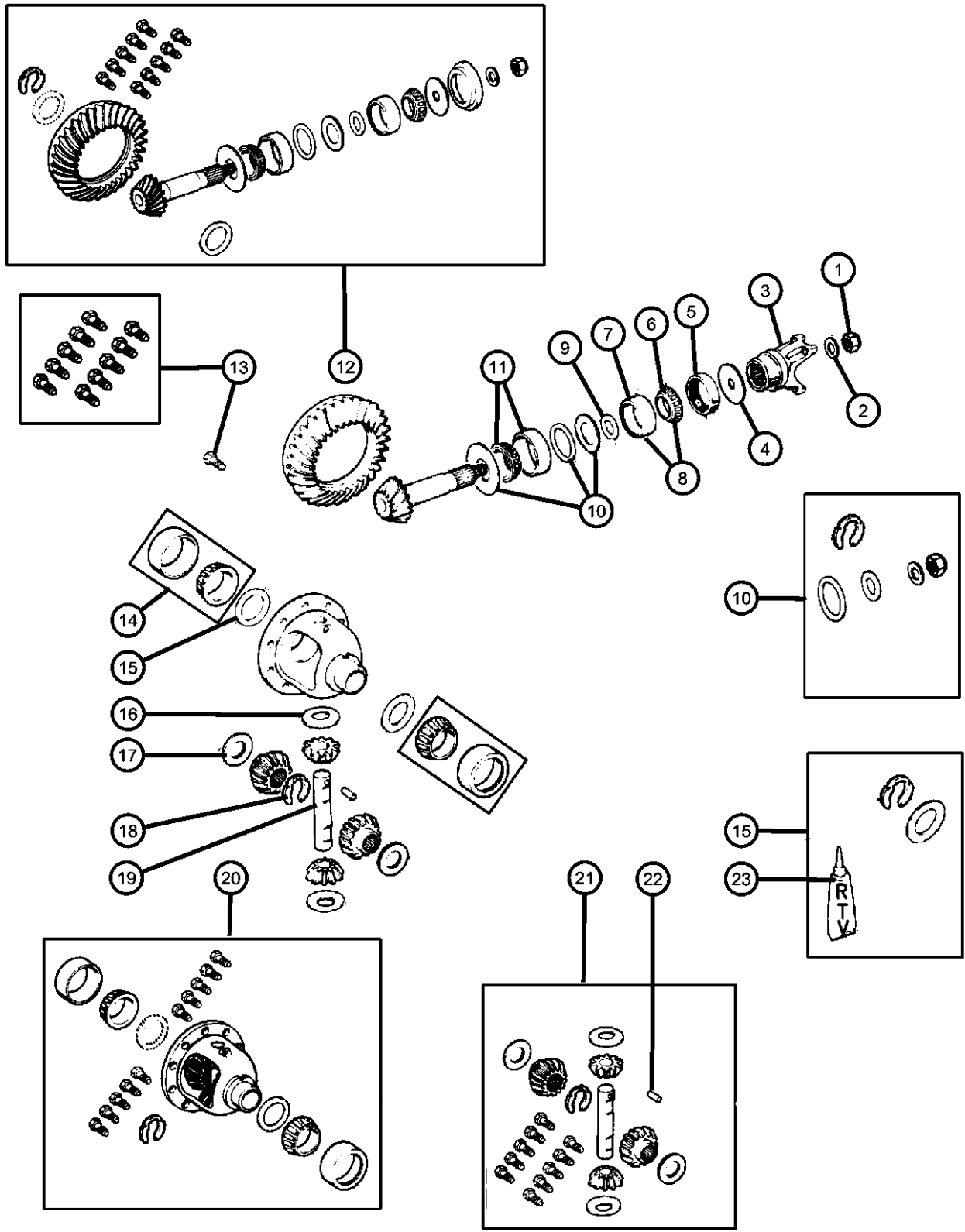
BODY
74 = 4 Dr (101.4WB)
72 = 2 Dr (101.4WB)

ENGINE
ENC = ENGINE - 2.5L 4 CYL TURBO DIESEL
EPE = ENGINE - 2.5L POWER TECH I-4 Cyl.
ERH = ENGINE - 4.0L POWER TECH I-6

TRANSMISSION
DDD = TRANSMISSION - 5-SPEED HD MANUAL
DDQ = TRANSMISSION - 5-SPEED MANUAL
DGD = TRANSMISSION - 3-SPD. AUTOMATIC,30RH
DGK = TRANSMISSION - 4-SPD. AUTOMATIC,42RE
DGS = TRANSMISSION-4SPD. AUTO,AISIN WARNER
DGT = TRANSMISSION - 4-SPD. AUTOMATIC,46RE
DGW = TRANSMISSION - 4-SPD. AUTOMATIC,44RE
DGX = TRANSMISSION - 4-SPEED AUTOMATIC
DBB = ALL MANUAL TRANSMISSIONS
DGO = ALL AUTOMATIC TRANSMISSIONS

AR = use ase required - = Non illustrated part

Differential,Front Axle
Figure 2-610



ITEM	PART NUMBER	QTY	LINE	SERIES	BODY	ENGINE	TRANS	TRIM	DESCRIPTION
8	05252508	1	J						BEARING, Drive Pinion [DMM,DMD] Bearing and Cup, Front
		1	U						[DMM,DMD] Bearing and Cup, Front
9	04864845AB	1	J						SPACER [DMM,DMD] Crush
		1	U						[DMM,DMD] Crush
10	04720862	1	J						SHIM KIT, Pinion Shaft [DMM,DMD]
		1	U						[DMM,DMD]
	83500192	1	J						[DME,DMF]
		1	U						[DME,DMF]
11	J8126499	1	J						BEARING, Drive Pinion Bearing and Cup, Rear
		1	U						Bearing and Cup, Rear
12	04746074	1	J			ENC			GEAR KIT, Ring And Pinion [DME]
		1	U			ENC			[DME]
	04864853	1	J						[DMM]
	05012476AB	1	J						[DMD]
		1	U						[DMD]
	83502353	1	U						[DMF]
		1	J						[DMF]
13	05252503	10	U						SCREW, Drive Gear

CHEROKEE (XJ)

SERIES LINE
 H = Sport T = JEEP - 2WD
 L = SE B = JEEP - 2WD (RHD)
 P = Classic J = JEEP - 4WD
 S = Limited U = JEEP - 4WD (RHD)

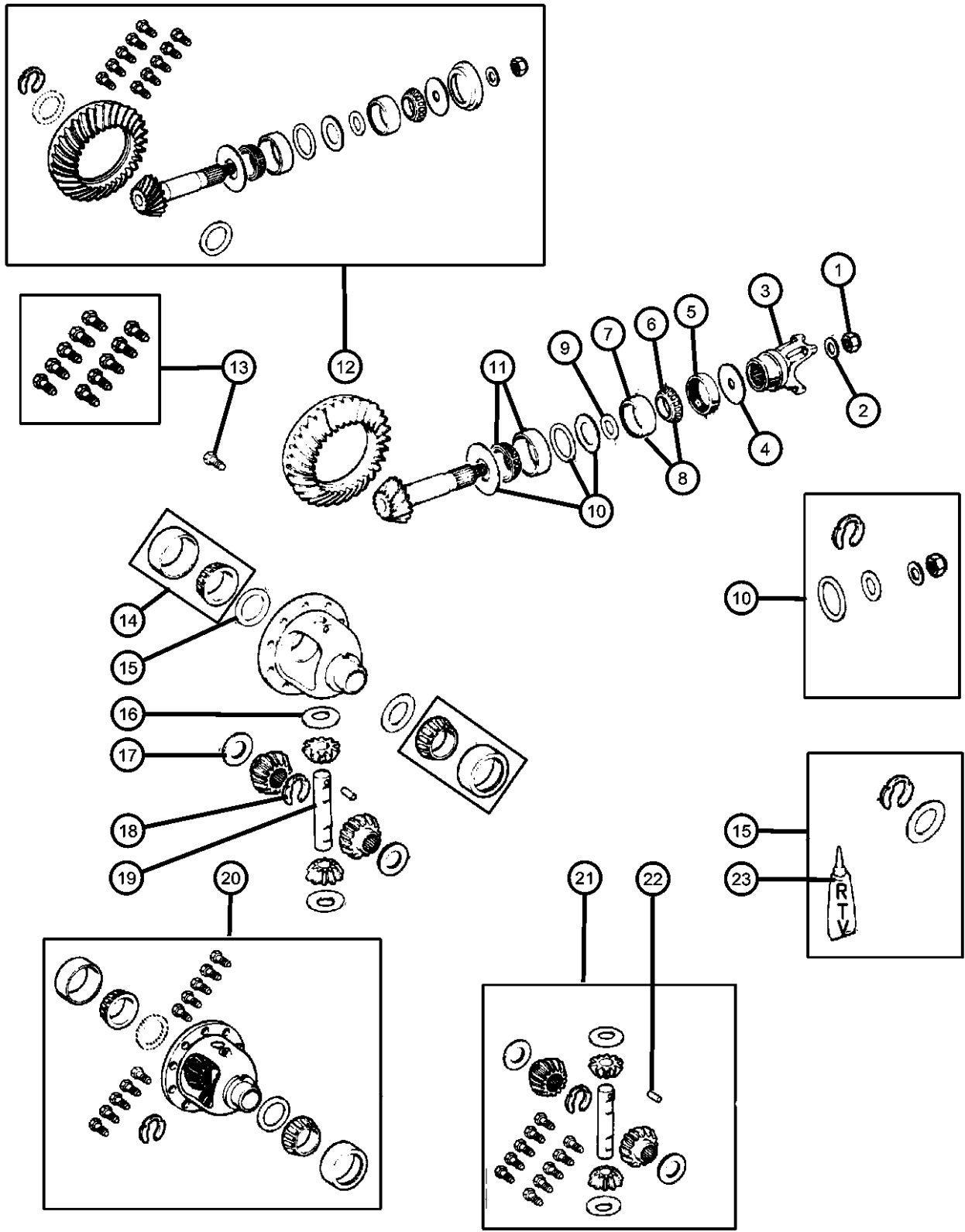
BODY
 74 = 4 Dr (101.4WB)
 72 = 2 Dr (101.4WB)

ENGINE
 ENC = ENGINE - 2.5L 4 CYL TURBO DIESEL
 EPE = ENGINE - 2.5L POWER TECH I-4 Cyl.
 ERH = ENGINE - 4.0L POWER TECH I-6

TRANSMISSION
 DDD = TRANSMISSION - 5-SPEED HD MANUAL
 DDQ = TRANSMISSION - 5-SPEED MANUAL
 DGD = TRANSMISSION - 3-SPD. AUTOMATIC,30RH
 DGK = TRANSMISSION - 4-SPD. AUTOMATIC,42RE
 DGS = TRANSMISSION-4SPD. AUTO,AISIN WARNER
 DGT = TRANSMISSION - 4-SPD. AUTOMATIC,46RE
 DGW = TRANSMISSION - 4-SPD. AUTOMATIC,44RE
 DGX = TRANSMISSION - 4-SPEED AUTOMATIC
 DBB = ALL MANUAL TRANSMISSIONS
 DGO = ALL AUTOMATIC TRANSMISSIONS

AR = use ase required - = Non illustrated part

Differential,Front Axle
Figure 2-610



ITEM	PART NUMBER	QTY	LINE	SERIES	BODY	ENGINE	TRANS	TRIM	DESCRIPTION
14		10	J						BEARING, Differential
	J8126500	1	J						Consists of 2 Bearing and 2 Cups
		1	U						Consists of 2 Bearing and 2 Cups
15		1	J						SHIM KIT, Differential
	83500191	1	J						
		1	U						
16		2	J						WASHER, Pinion Gear
	J8120831	2	J						Thrust
		2	U						Thrust
17		2	J						WASHER, Side Gear
	J8133724	2	J						Thrust
		2	U						Thrust
18		2	U						SNAP RING, Front Axle Shaft
	04137739	2	U						
		2	J						
19		1	J						SHAFT, Differential
	05003840AA	1	J						Pinion
		1	U						Pinion
20		1	J						CASE, Differential
	05252582	1	J						[DMD,DMM]
		1	U						[DMD,DMM]
	05252590	1	U						[DME,DMF]
		1	J						[DME,DMF]
21		1	J						GEAR KIT, Center Differential

CHEROKEE (XJ)

SERIES LINE
 H = Sport T = JEEP - 2WD
 L = SE B = JEEP - 2WD (RHD)
 P = Classic J = JEEP - 4WD
 S = Limited U = JEEP - 4WD (RHD)

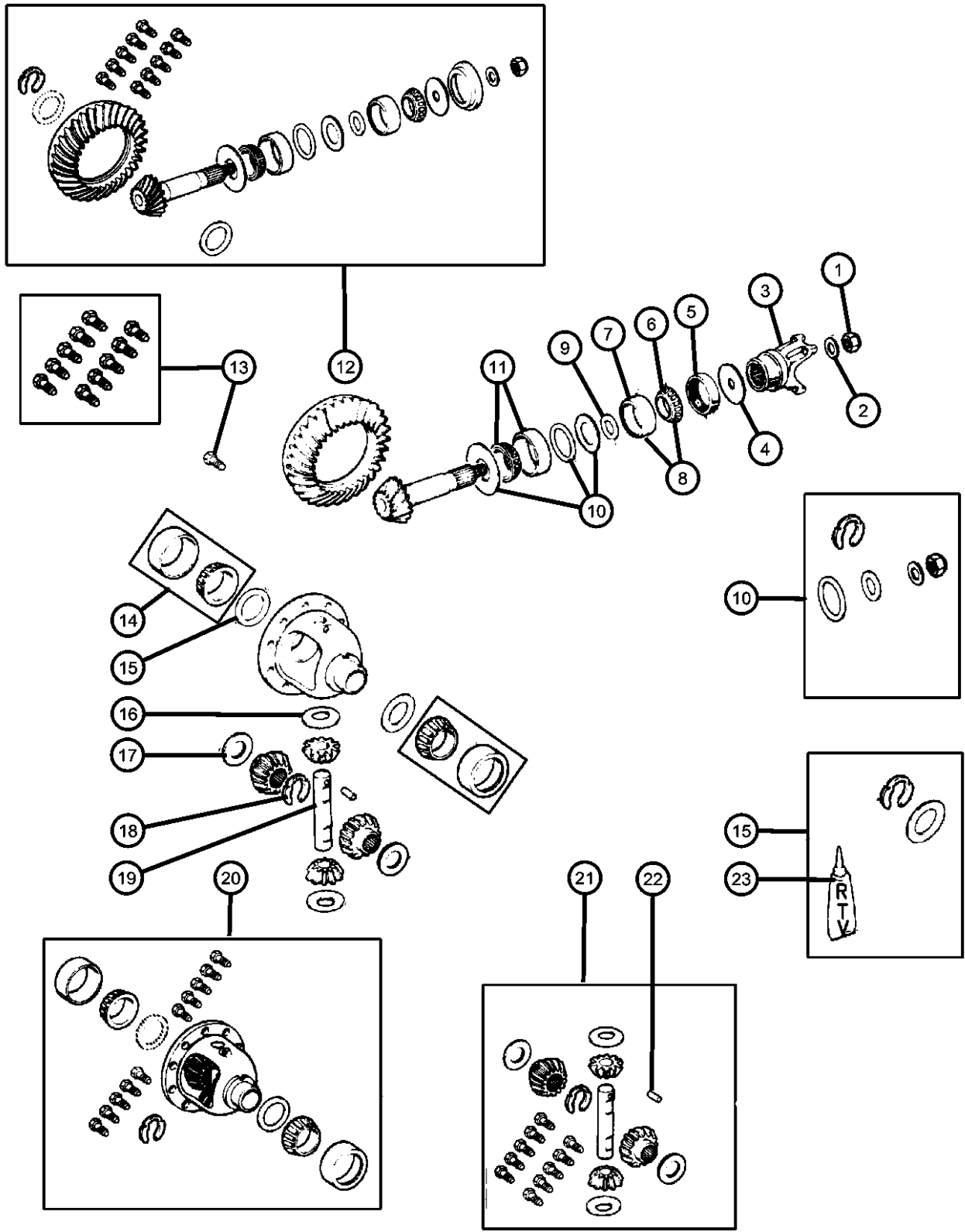
BODY
 74 = 4 Dr (101.4WB)
 72 = 2 Dr (101.4WB)

ENGINE
 ENC = ENGINE - 2.5L 4 CYL
 TURBO DIESEL
 EPE = ENGINE - 2.5L POWER
 TECH I-4 Cyl.
 ERH = ENGINE - 4.0L
 POWER TECH I-6

TRANSMISSION
 DDD = TRANSMISSION - 5-SPEED
 HD MANUAL
 DDQ = TRANSMISSION - 5-SPEED
 MANUAL
 DGD = TRANSMISSION - 3-SPD.
 AUTOMATIC,30RH
 DGK = TRANSMISSION - 4-SPD.
 AUTOMATIC,42RE
 DGS = TRANSMISSION-4SPD.
 AUTO,AISIN WARNER
 DGT = TRANSMISSION - 4-SPD.
 AUTOMATIC,46RE
 DGW = TRANSMISSION - 4-SPD.
 AUTOMATIC,44RE
 DGX = TRANSMISSION - 4-SPEED
 AUTOMATIC
 DBB = ALL MANUAL
 TRANSMISSIONS
 DGO = ALL AUTOMATIC
 TRANSMISSIONS

AR = use ase required - = Non illustrated part

**Differential,Front Axle
Figure 2-610**



ITEM	PART NUMBER	QTY	LINE	SERIES	BODY	ENGINE	TRANS	TRIM	DESCRIPTION
	05252591	1	J						
22		1	U						PIN, Differential Shaft
	01791563	1	J						
23		1	U						SEALANT, RTV
	05010884AA	1	J						
		1	U						

CHEROKEE (XJ)

SERIES	LINE
H = Sport	T = JEEP - 2WD
L = SE	B = JEEP - 2WD (RHD)
P = Classic	J = JEEP - 4WD
S = Limited	U = JEEP - 4WD (RHD)

BODY
74 = 4 Dr (101.4WB)
72 = 2 Dr (101.4WB)

ENGINE
ENC = ENGINE - 2.5L 4 CYL TURBO DIESEL
EPE = ENGINE - 2.5L POWER TECH I-4 Cyl.
ERH = ENGINE - 4.0L POWER TECH I-6

TRANSMISSION
DDD = TRANSMISSION - 5-SPEED HD MANUAL
DDQ = TRANSMISSION - 5-SPEED MANUAL
DGD = TRANSMISSION - 3-SPD. AUTOMATIC,30RH
DGK = TRANSMISSION - 4-SPD. AUTOMATIC,42RE
DGS = TRANSMISSION-4SPD. AUTO,AISIN WARNER
DGT = TRANSMISSION - 4-SPD. AUTOMATIC,46RE
DGW = TRANSMISSION - 4-SPD. AUTOMATIC,44RE
DGX = TRANSMISSION - 4-SPEED AUTOMATIC
DBB = ALL MANUAL TRANSMISSIONS
DGO = ALL AUTOMATIC TRANSMISSIONS

AR = use ase required - = Non illustrated part

Group - 3

Rear Axle

Group - 3 Rear Axle

Group-Fig. No.

Illustration Title

Rear Axle

Axle Assembly,Rear,Corporate Model 8.25 [DRA].....	Fig. 3 - 110
Axle Assembly,Rear,Dana Model 35 [DRJ,DRM].....	Fig. 3 - 120

Differential and Housing

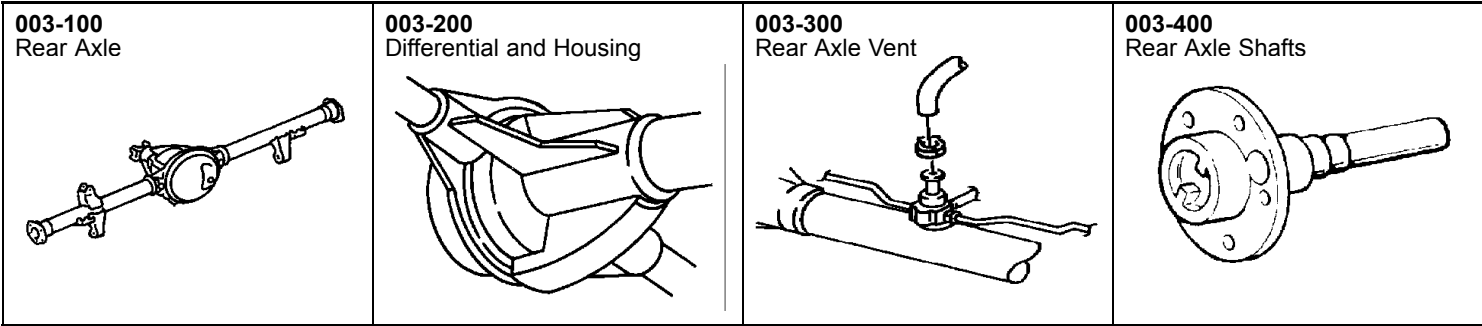
Differential and Housing,Corporate Model 8.25 [DRA].....	Fig. 3 - 210
Housing,Rear Axle,Dana 35 [DRJ,DRM].....	Fig. 3 - 220
Differential,Without Trac-Lok,Dana 35 [DRJ,DRM].....	Fig. 3 - 230
Differential,With Trac-Lok,Dana 35 [DRJ,DRM].....	Fig. 3 - 240

Rear Axle Vent

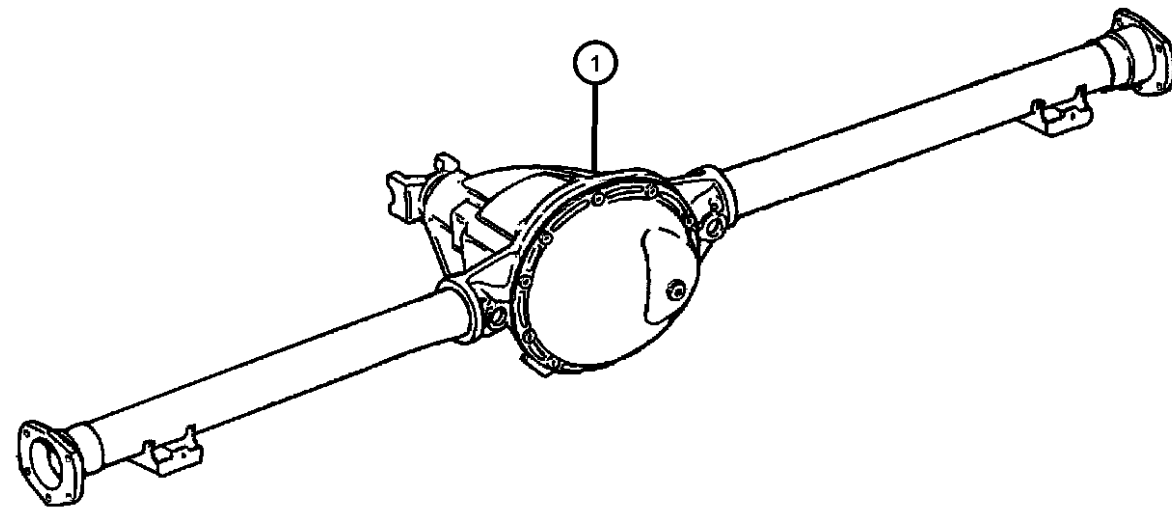
Vent, Axle.....	Fig. 3 - 310
-----------------	--------------

Rear Axle Shafts

Shaft,Rear Axle,Dana 35 [DRJ,DRM].....	Fig. 3 - 410
--	--------------



**Axle Assembly,Rear,Corporate Model 8.25 [DRA]
Figure 3-110**



ITEM	PART NUMBER	QTY	LINE	SERIES	BODY	ENGINE	TRANS	TRIM	DESCRIPTION
1									AXLE, Service Rear
	04886133AA	1							[DMD,BGA,DSA] With Tag 52098717AF
	04874468								Mopar SAE 80W-90 Gear Lube Quart Bottle
	68003054AA								Mopar SAE 80W-90 Gear Lube 16 Gallon Keg
	04874469								Mopar SAE 75W-140 Synthetic Gear and Axle Lube Quart
	68003055AA								Mopar SAE 75W-140 Synthetic Gear and Axle Lube 16 Gallon Keg
	04886138AA	1							[DMD,BGA] With Tag 52098716AF
	04874468								Mopar SAE 80W-90 Gear Lube Quart Bottle
	68003054AA								Mopar SAE 80W-90 Gear Lube 16 Gallon Keg
	04874469								Mopar SAE 75W-140 Synthetic Gear and Axle Lube Quart
	68003055AA								Mopar SAE 75W-140 Synthetic Gear and Axle Lube 16 Gallon Keg
	04886139AB	1							[DMM,BGA] With Tag 52078715AF
	04874468								Mopar SAE 80W-90 Gear Lube Quart Bottle
	68003054AA								Mopar SAE 80W-90 Gear Lube 16 Gallon Keg
	04874469								Mopar SAE 75W-140 Synthetic Gear and Axle Lube Quart
	68003055AA								Mopar SAE 75W-140 Synthetic Gear and Axle Lube 16 Gallon Keg

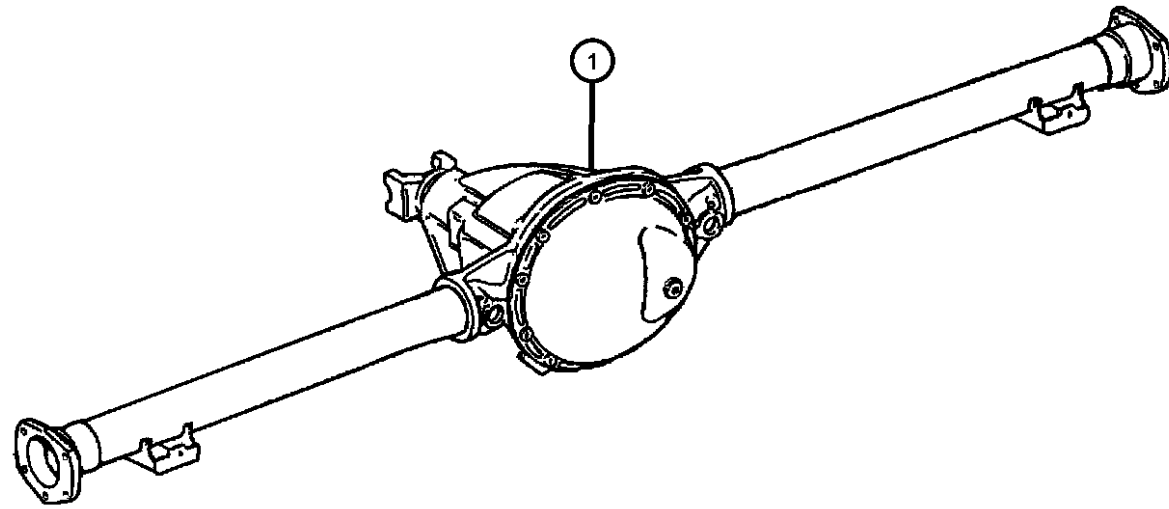
CHEROKEE (XJ)

SERIES	LINE	BODY	ENGINE	TRANSMISSION
H = Sport	T = JEEP - 2WD	74 = 4 Dr (101.4WB)	ENC = ENGINE - 2.5L 4 CYL TURBO DIESEL	DDD = TRANSMISSION - 5-SPEED HD MANUAL
L = SE	B = JEEP - 2WD (RHD)	72 = 2 Dr (101.4WB)	EPE = ENGINE - 2.5L POWER TECH I-4 Cyl.	DDQ = TRANSMISSION - 5-SPEED MANUAL
P = Classic	J = JEEP - 4WD		ERH = ENGINE - 4.0L POWER TECH I-6	DGD = TRANSMISSION - 3-SPD. AUTOMATIC,30RH
S = Limited	U = JEEP - 4WD (RHD)			DGK = TRANSMISSION - 4-SPD. AUTOMATIC,42RE
				DGS = TRANSMISSION-4SPD. AUTO,AISIN WARNER
				DGT = TRANSMISSION - 4-SPD. AUTOMATIC,46RE
				DGW = TRANSMISSION - 4-SPD. AUTOMATIC,44RE
				DGX = TRANSMISSION - 4-SPEED AUTOMATIC
				DBB = ALL MANUAL TRANSMISSIONS
				DGO = ALL AUTOMATIC TRANSMISSIONS

AR = use ase required - = Non illustrated part

**Axle Assembly,Rear,Corporate Model 8.25 [DRA]
Figure 3-110**

ITEM	PART NUMBER	QTY	LINE	SERIES	BODY	ENGINE	TRANS	TRIM	DESCRIPTION
------	-------------	-----	------	--------	------	--------	-------	------	-------------



	04886140AB	1							[DMM,BGA,DSA] With Tag 52099380AE
	04874468								Mopar SAE 80W-90 Gear Lube Quart Bottle
	68003054AA								Mopar SAE 80W-90 Gear Lube 16 Gallon Keg
	04874469								Mopar SAE 75W-140 Synthetic Gear and Axle Lube Quart
	68003055AA								Mopar SAE 75W-140 Synthetic Gear and Axle Lube 16 Gallon Keg
	04886145AB	1							[DMF,BGA,DSA] With Tag 52099381AF
	04874468								Mopar SAE 80W-90 Gear Lube Quart Bottle
	68003054AA								Mopar SAE 80W-90 Gear Lube 16 Gallon Keg
	04874469								Mopar SAE 75W-140 Synthetic Gear and Axle Lube Quart
	68003055AA								Mopar SAE 75W-140 Synthetic Gear and Axle Lube 16 Gallon Keg
	04886148AB	1							[DMF,BGA] With Tag 52098718AG
	04874468								Mopar SAE 80W-90 Gear Lube Quart Bottle
	68003054AA								Mopar SAE 80W-90 Gear Lube 16 Gallon Keg
	04874469								Mopar SAE 75W-140 Synthetic Gear and Axle Lube Quart
	68003055AA								Mopar SAE 75W-140 Synthetic Gear and Axle Lube 16 Gallon Keg

CHEROKEE (XJ)

SERIES	LINE	BODY	ENGINE	TRANSMISSION
H = Sport	T = JEEP - 2WD	74 = 4 Dr (101.4WB)	ENC = ENGINE - 2.5L 4 CYL TURBO DIESEL	DDD = TRANSMISSION - 5-SPEED HD MANUAL
L = SE	B = JEEP - 2WD (RHD)	72 = 2 Dr (101.4WB)	EPE = ENGINE - 2.5L POWER TECH I-4 Cyl.	DDQ = TRANSMISSION - 5-SPEED MANUAL
P = Classic	J = JEEP - 4WD		ERH = ENGINE - 4.0L POWER TECH I-6	DGD = TRANSMISSION - 3-SPD. AUTOMATIC,30RH
S = Limited	U = JEEP - 4WD (RHD)			DGK = TRANSMISSION - 4-SPD. AUTOMATIC,42RE
				DGS = TRANSMISSION-4SPD. AUTO,AISIN WARNER
				DGT = TRANSMISSION - 4-SPD. AUTOMATIC,46RE
				DGW = TRANSMISSION - 4-SPD. AUTOMATIC,44RE
				DGX = TRANSMISSION - 4-SPEED AUTOMATIC
				DBB = ALL MANUAL TRANSMISSIONS
				DGO = ALL AUTOMATIC TRANSMISSIONS

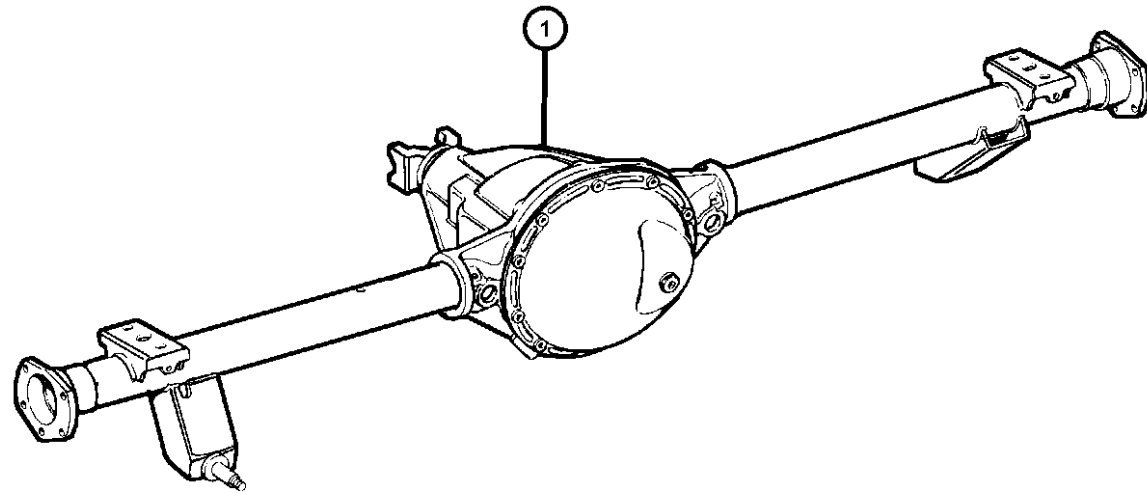
AR = use ase required - = Non illustrated part

2000 XJ

**Axle Assembly,Rear,Dana Model 35 [DRJ,DRM]
Figure 3-120**

ITEM	PART NUMBER	QTY	LINE	SERIES	BODY	ENGINE	TRANS	TRIM	DESCRIPTION
------	-------------	-----	------	--------	------	--------	-------	------	-------------

Note:Sales Codes;
 [DMD]=Axle Ratio - 3.55
 [DME]=Axle Ratio - 3.73
 [DMM]=Axle Ratio - 3.07
 [DRJ]=Axle - Rear,Dana M35/194MM
 [DRM]=Axle - Rear,Dana 35C/194MM
 [DSA]=Axle - Trac-Lok Differential



1									AXLE, Service Rear
	04797553	1							[DRM,DMD,BGK,] Tag 52099473AD
	04797571	1							[DRM,DMD,BGK,DSA] Tag 52099457AD,52099458AC
	04798093	1							[DRM,DME,BGK,DSA] Tag 52099468AD
	04882527	1							[DRJ,DMM,BGK,DSA] Tag 52099459AD
	04874468								Mopar SAE 80W-90 Gear Lube Quart Bottle
	68003054AA								Mopar SAE 80W-90 Gear Lube 16 Gallon Keg
	04874469								Mopar SAE 75W-140 Synthetic Gear and Axle Lube Quart
	68003055AA								Mopar SAE 75W-140 Synthetic Gear and Axle Lube 16 Gallon Keg
	04882529	1							[DRJ,DMM,BGK] Tag 52099474AD
	04882560	1							[DRM,DME,BGK,DSA] Tag 52099460AD
	05011690AA	1							[DRM,DMD,BGA,DSA] Tag 52111770AC
	05011693AA	1							[DRJ,DMM,BGA,DSA] Tag 52111769AC

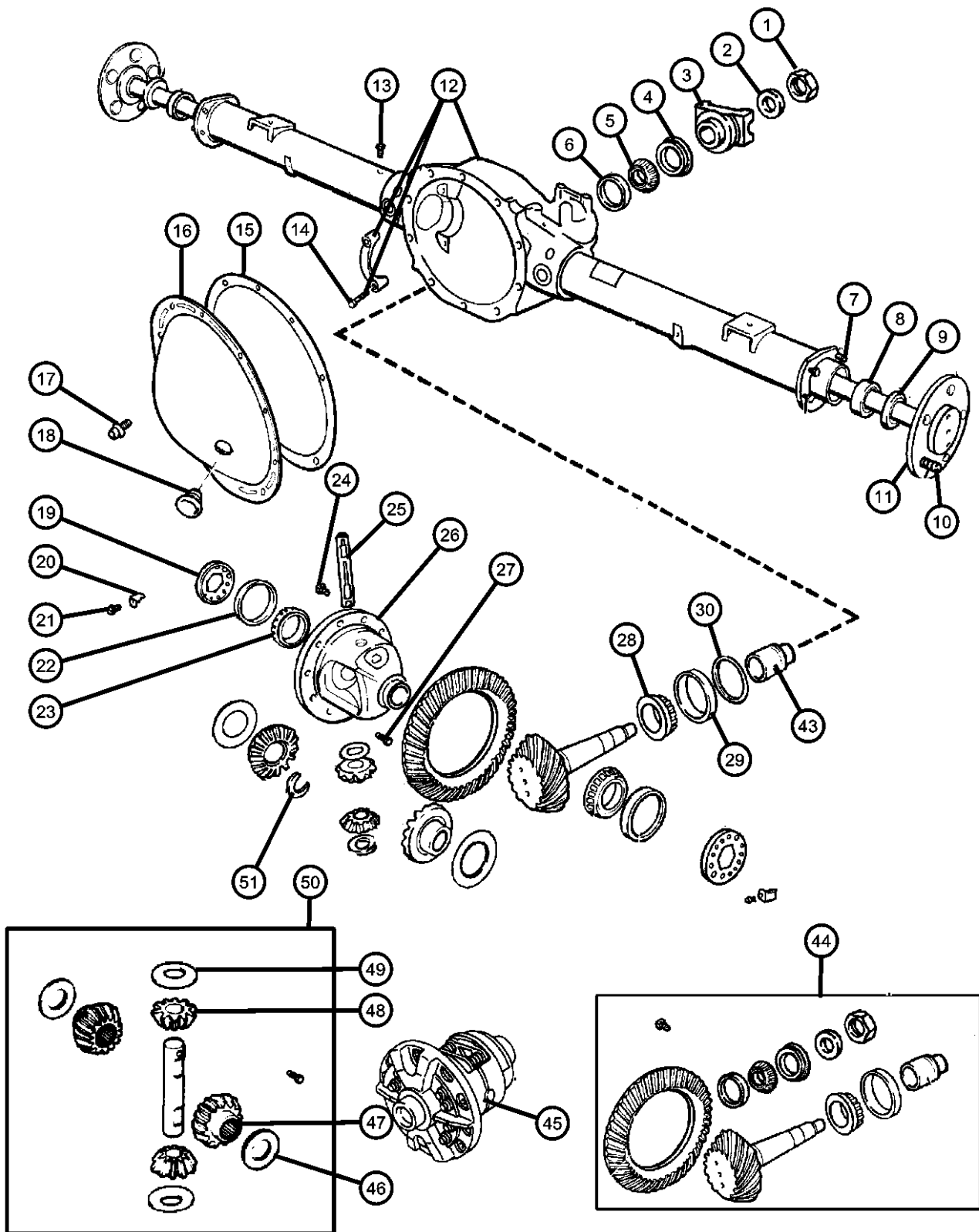
CHEROKEE (XJ)

SERIES	LINE	BODY	ENGINE	TRANSMISSION
H = Sport	T = JEEP - 2WD	74 = 4 Dr (101.4WB)	ENC = ENGINE - 2.5L 4 CYL TURBO DIESEL	DDD = TRANSMISSION - 5-SPEED HD MANUAL
L = SE	B = JEEP - 2WD (RHD)	72 = 2 Dr (101.4WB)	EPE = ENGINE - 2.5L POWER TECH I-4 Cyl.	DDQ = TRANSMISSION - 5-SPEED MANUAL
P = Classic	J = JEEP - 4WD		ERH = ENGINE - 4.0L POWER TECH I-6	DGD = TRANSMISSION - 3-SPD. AUTOMATIC,30RH
S = Limited	U = JEEP - 4WD (RHD)			DGK = TRANSMISSION - 4-SPD. AUTOMATIC,42RE
				DGS = TRANSMISSION-4SPD. AUTO,AISIN WARNER
				DGT = TRANSMISSION - 4-SPD. AUTOMATIC,46RE
				DGW = TRANSMISSION - 4-SPD. AUTOMATIC,44RE
				DGX = TRANSMISSION - 4-SPEED AUTOMATIC
				DBB = ALL MANUAL TRANSMISSIONS
				DGO = ALL AUTOMATIC TRANSMISSIONS

AR = use ase required - = Non illustrated part

2000 XJ

**Differential and Housing, Corporate Model 8.25 [DRA]
Figure 3-210**



ITEM	PART NUMBER	QTY	LINE	SERIES	BODY	ENGINE	TRANS	TRIM	DESCRIPTION
------	-------------	-----	------	--------	------	--------	-------	------	-------------

Note: Sales Codes;
 [DMM]= Axle Ratio - 3.07
 [DMD]=Axle Ratio - 3.55
 [DMF]=Axle Ratio - 4.10
 [DRA] =Axle - Rear, Corporate 8.25
 [DSA] =Axle - Trac-Lok Differential

1	06028041	1							NUT, Pinion Yoke
2	02070117	1							WASHER, Pinion Yoke
3	52068839	1							YOKE, Axle
4	52067595	1							SEAL, Drive Pinion
5	02070316	1							BEARING, Drive PinionFront
6	02070317	1							CUP, Pinion BearingFront
7	03723668	8							STUD, Axle Housing to Backing Plate, Mounting
8	03507898AB	2							BEARING, Wheel
9	52070427AA	2							SEAL, Axle Drive Shaft
10	53008135	10							STUD, Hub
11	05018393AA	2							SHAFT, Axle
12	04886134AA	1							HOUSING, Axle
13	52067508	1							BOLT, Axle Vent
14	03432695	4							SCREW, Hex Head, .50-13x2.38, Carrier Bearing Cap, Mounting
15	05010884AA	1							SEALANT, RTV
16	03723681AC	1							COVER, Differential
17	06033043	10							SCREW AND WASHER, Hex Flange Head, .312-18x.562
18	52070428AA	1							PLUG, Differential Cover
19	03507876	2							ADJUSTER, Differential Bearing
20	03723859	2							LOCK, Differential Bearing

CHEROKEE (XJ)

SERIES	LINE
H = Sport	T = JEEP - 2WD
L = SE	B = JEEP - 2WD (RHD)
P = Classic	J = JEEP - 4WD
S = Limited	U = JEEP - 4WD (RHD)

BODY
74 = 4 Dr (101.4WB)
72 = 2 Dr (101.4WB)

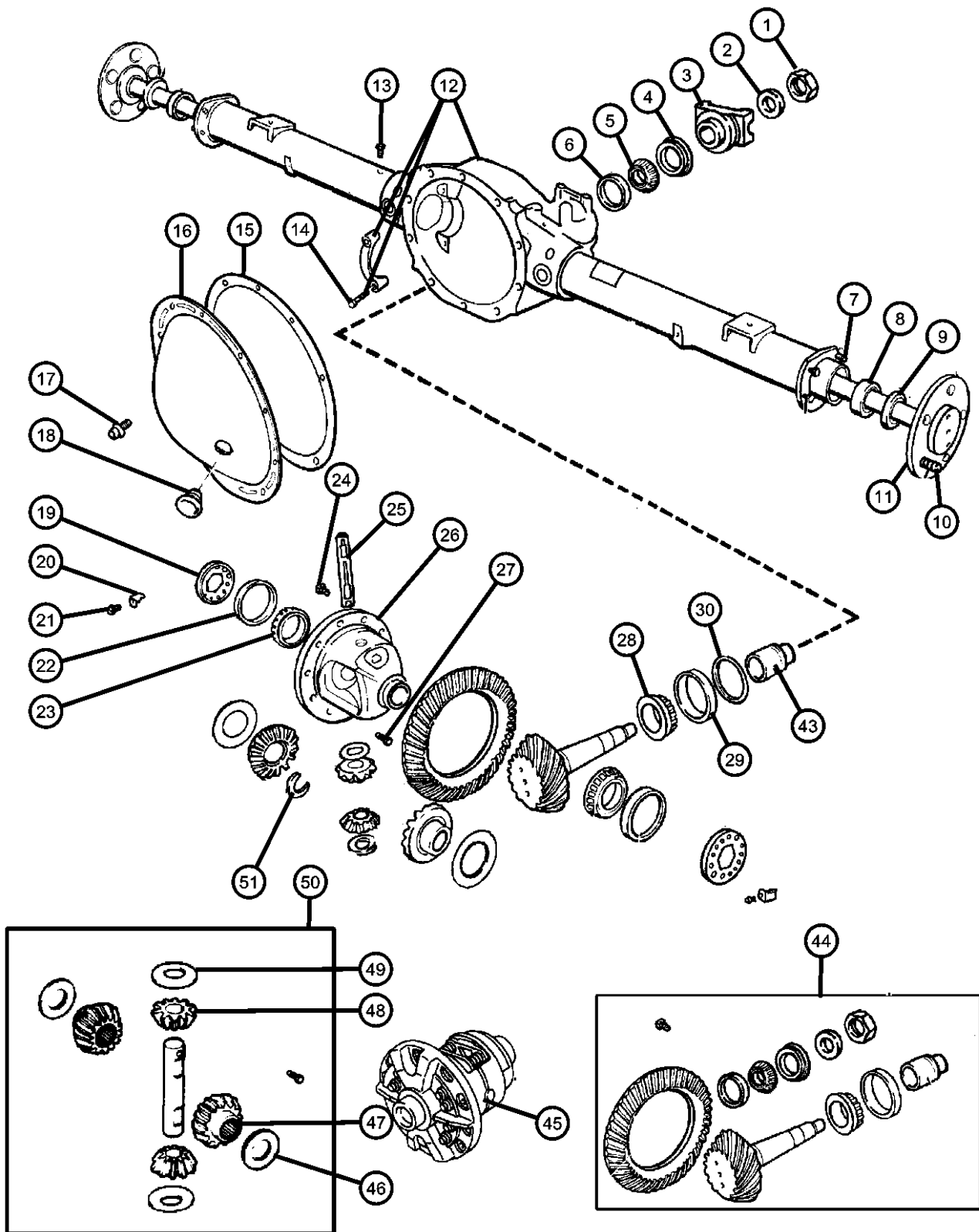
ENGINE
ENC = ENGINE - 2.5L 4 CYL TURBO DIESEL
EPE = ENGINE - 2.5L POWER TECH I-4 Cyl.
ERH = ENGINE - 4.0L POWER TECH I-6

TRANSMISSION
DDD = TRANSMISSION - 5-SPEED HD MANUAL
DDQ = TRANSMISSION - 5-SPEED MANUAL
DGD = TRANSMISSION - 3-SPD. AUTOMATIC,30RH
DGK = TRANSMISSION - 4-SPD. AUTOMATIC,42RE
DGS = TRANSMISSION-4SPD. AUTO,AISIN WARNER
DGT = TRANSMISSION - 4-SPD. AUTOMATIC,46RE
DGW = TRANSMISSION - 4-SPD. AUTOMATIC,44RE
DGX = TRANSMISSION - 4-SPEED AUTOMATIC
DBB = ALL MANUAL TRANSMISSIONS
DGO = ALL AUTOMATIC TRANSMISSIONS

AR = use ase required - = Non illustrated part

2000 XJ

Differential and Housing, Corporate Model 8.25 [DRA]
Figure 3-210



ITEM	PART NUMBER	QTY	LINE	SERIES	BODY	ENGINE	TRANS	TRIM	DESCRIPTION
21	06023092	2							SCREW AND WASHER, Hex Head, .25-20x.50, Differential Bearing Lock
22	03723569	2							CUP, Differential Side
23	01790541	2							BEARING, Differential
24	04443158	1							SCREW PACKAGE, Axle Drive Gear, Ring Gear, Mounting
25	52069657	1							SHAFT, Differential Pinion, Also Serviced In Differential Gear Package, Without [DSA]
26	52098776	1							CASE, Differential, Without [DSA] Without Internal Parts
27	03507724	1							SCREW, Hex Head, .312-18x1.80, Also Serviced in Differential Gear Package
28	02800484	1							BEARING, Drive PinionRear
29	02800485	1							CUP, Pinion BearingRear
30	03723520	AR							SHIM, Drive Pinion Bearing, .020
-31	03723522	AR							SHIM, Drive Pinion Bearing, .022
-32	03723524	AR							SHIM, Drive Pinion Bearing, .024
-33	03723526	AR							SHIM, Drive Pinion Bearing, .026
-34	03723527	AR							SHIM, Drive Pinion Bearing, .027
-35	03723528	AR							SHIM, Drive Pinion Bearing, .028
-36	03723529	AR							SHIM, Drive Pinion Bearing, .029
-37	03723530	AR							SHIM, Drive Pinion Bearing, .030
-38	03723531	AR							SHIM, Drive Pinion Bearing, .031
-39	03723532	AR							SHIM, Drive Pinion Bearing, .032
-40	03723534	AR							SHIM, Drive Pinion Bearing, .034

CHEROKEE (XJ)

SERIES LINE
 H = Sport T = JEEP - 2WD
 L = SE B = JEEP - 2WD (RHD)
 P = Classic J = JEEP - 4WD
 S = Limited U = JEEP - 4WD (RHD)

BODY
 74 = 4 Dr (101.4WB)
 72 = 2 Dr (101.4WB)

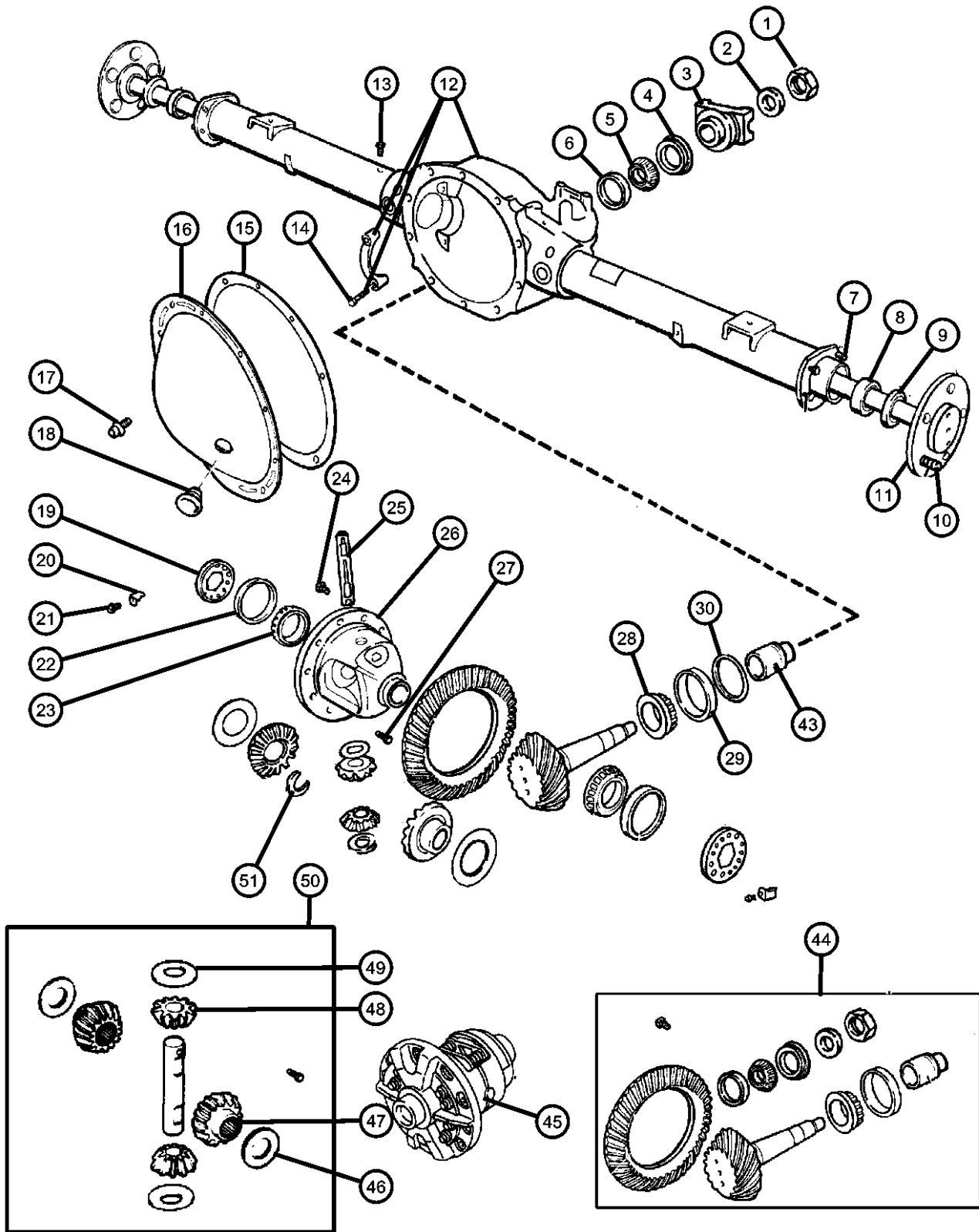
ENGINE
 ENC = ENGINE - 2.5L 4 CYL TURBO DIESEL
 EPE = ENGINE - 2.5L POWER TECH I-4 Cyl.
 ERH = ENGINE - 4.0L POWER TECH I-6

TRANSMISSION
 DDD = TRANSMISSION - 5-SPEED HD MANUAL
 DDQ = TRANSMISSION - 5-SPEED MANUAL
 DGD = TRANSMISSION - 3-SPD. AUTOMATIC,30RH
 DGK = TRANSMISSION - 4-SPD. AUTOMATIC,42RE
 DGS = TRANSMISSION-4SPD. AUTO,AISIN WARNER
 DGT = TRANSMISSION - 4-SPD. AUTOMATIC,46RE
 DGW = TRANSMISSION - 4-SPD. AUTOMATIC,44RE
 DGX = TRANSMISSION - 4-SPEED AUTOMATIC
 DBB = ALL MANUAL TRANSMISSIONS
 DGO = ALL AUTOMATIC TRANSMISSIONS

AR = use ase required - = Non illustrated part

2000 XJ

Differential and Housing, Corporate Model 8.25 [DRA]
Figure 3-210



ITEM	PART NUMBER	QTY	LINE	SERIES	BODY	ENGINE	TRANS	TRIM	DESCRIPTION
-41	03723536	AR							SHIM, Drive Pinion Bearing, .036
-42	03723538	AR							SHIM, Drive Pinion Bearing, .038
43	03507575	1							SPACER, Drive Pinion Bearing, Crush
44									GEAR KIT, Ring And Pinion
	04720973AB	1							[DMF] Includes All Items In Box
	04728707AC	1							[DMM] Includes Items 1,2,24,43 Only
	04856540AB	1							[DMD] Includes All Items In Box
45	52098778	1							CASE, Differential, With [DSA] With Internal Parts
46	04883085	1							WASHER PACKAGE, Side Gear Thrust, Also Serviced In Differential Gear Package, Without [DSA]
47	52069429	2							GEAR, Differential, Also Serviced In Differential Gear Package, Without [DSA]
48	52069655	2							PINION, Differential, Also Serviced In Differential Gear Package, Without [DSA]
49	02852912	2							WASHER, Pinion Gear, Also Serviced In Differential Gear Package, Without [DSA], Thrust
50	04883087	1							GEAR PACKAGE, Differential, Without [DSA]
51	52069426	2							RETAINER, Axle Shaft

CHEROKEE (XJ)

SERIES	LINE
H = Sport	T = JEEP - 2WD
L = SE	B = JEEP - 2WD (RHD)
P = Classic	J = JEEP - 4WD
S = Limited	U = JEEP - 4WD (RHD)

BODY
74 = 4 Dr (101.4WB)
72 = 2 Dr (101.4WB)

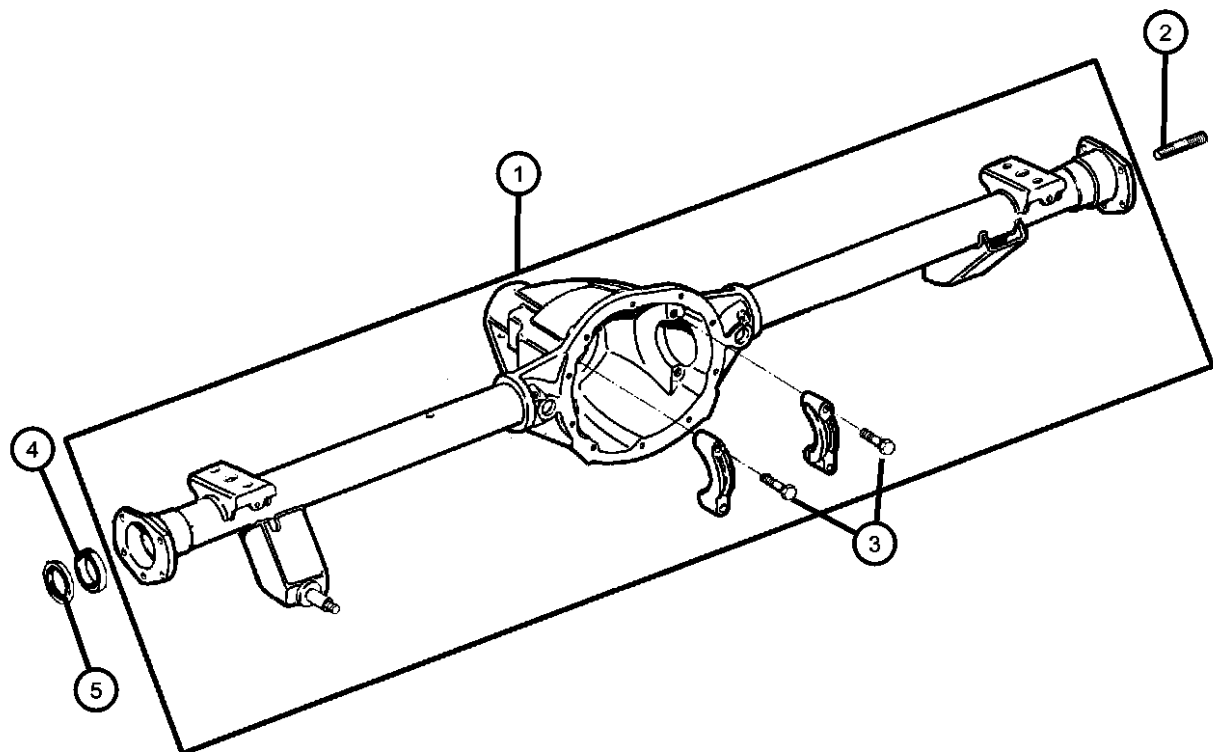
ENGINE
ENC = ENGINE - 2.5L 4 CYL TURBO DIESEL
EPE = ENGINE - 2.5L POWER TECH I-4 Cyl.
ERH = ENGINE - 4.0L POWER TECH I-6

TRANSMISSION
DDD = TRANSMISSION - 5-SPEED HD MANUAL
DDQ = TRANSMISSION - 5-SPEED MANUAL
DGD = TRANSMISSION - 3-SPD. AUTOMATIC,30RH
DGK = TRANSMISSION - 4-SPD. AUTOMATIC,42RE
DGS = TRANSMISSION-4SPD. AUTO,AISIN WARNER
DGT = TRANSMISSION - 4-SPD. AUTOMATIC,46RE
DGW = TRANSMISSION - 4-SPD. AUTOMATIC,44RE
DGX = TRANSMISSION - 4-SPEED AUTOMATIC
DBB = ALL MANUAL TRANSMISSIONS
DGO = ALL AUTOMATIC TRANSMISSIONS

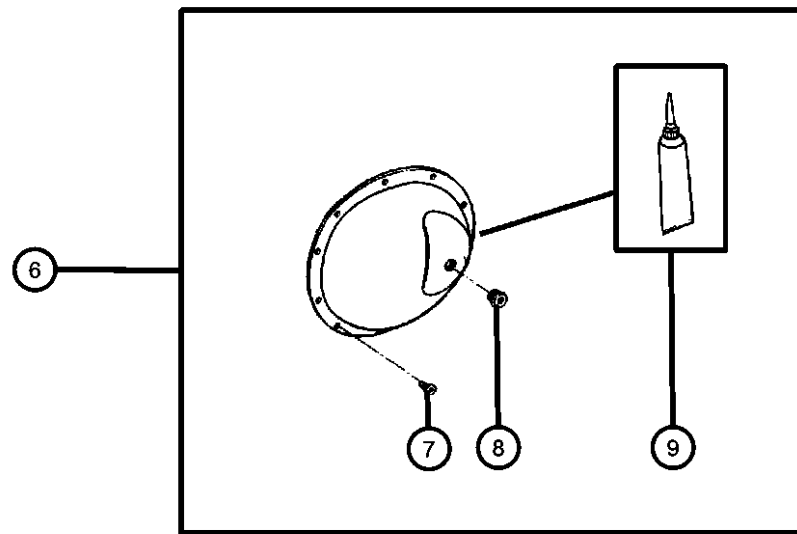
AR = use ase required - = Non illustrated part

Housing,Rear Axle,Dana 35 [DRJ,DRM]

Figure 3-220



ITEM	PART NUMBER	QTY	LINE	SERIES	BODY	ENGINE	TRANS	TRIM	DESCRIPTION
1	04636168	1							HOUSING, Rear Axle With Tag 52094458AC
		1							With Tag 52099457AD
		1							With Tag 52099473AD
	04798092	1							With Tag 52099460AD
		1							With Tag 52099468AD
		1							With Tag 52099474AD
		1							With Tag 52099459AD
		1							With Tag 52111769AC
		1							With Tag 52111770AC
2	J0994313	8							STUD, Axle Housing to Backing Plate, Mounting
3	J4006553	4							BOLT, Differential, Carrier Cap, Mounting
4	J8134586	2							BEARING, Axle ShaftRight or Left
5	04856336	2							SEAL, Axle Drive ShaftRight or Left
6	05252493	1							COVER, Differential
7	J4006708	10							SCREW, Pan Head, .312-18x.56, Differential Cover, Mounting
8	05252504AB	1							PLUG, Differential Cover
9	05010884AA	1							SEALANT, RTV



CHEROKEE (XJ)

SERIES	LINE
H = Sport	T = JEEP - 2WD
L = SE	B = JEEP - 2WD (RHD)
P = Classic	J = JEEP - 4WD
S = Limited	U = JEEP - 4WD (RHD)

BODY
74 = 4 Dr (101.4WB)
72 = 2 Dr (101.4WB)

ENGINE
ENC = ENGINE - 2.5L 4 CYL TURBO DIESEL
EPE = ENGINE - 2.5L POWER TECH I-4 Cyl.
ERH = ENGINE - 4.0L POWER TECH I-6

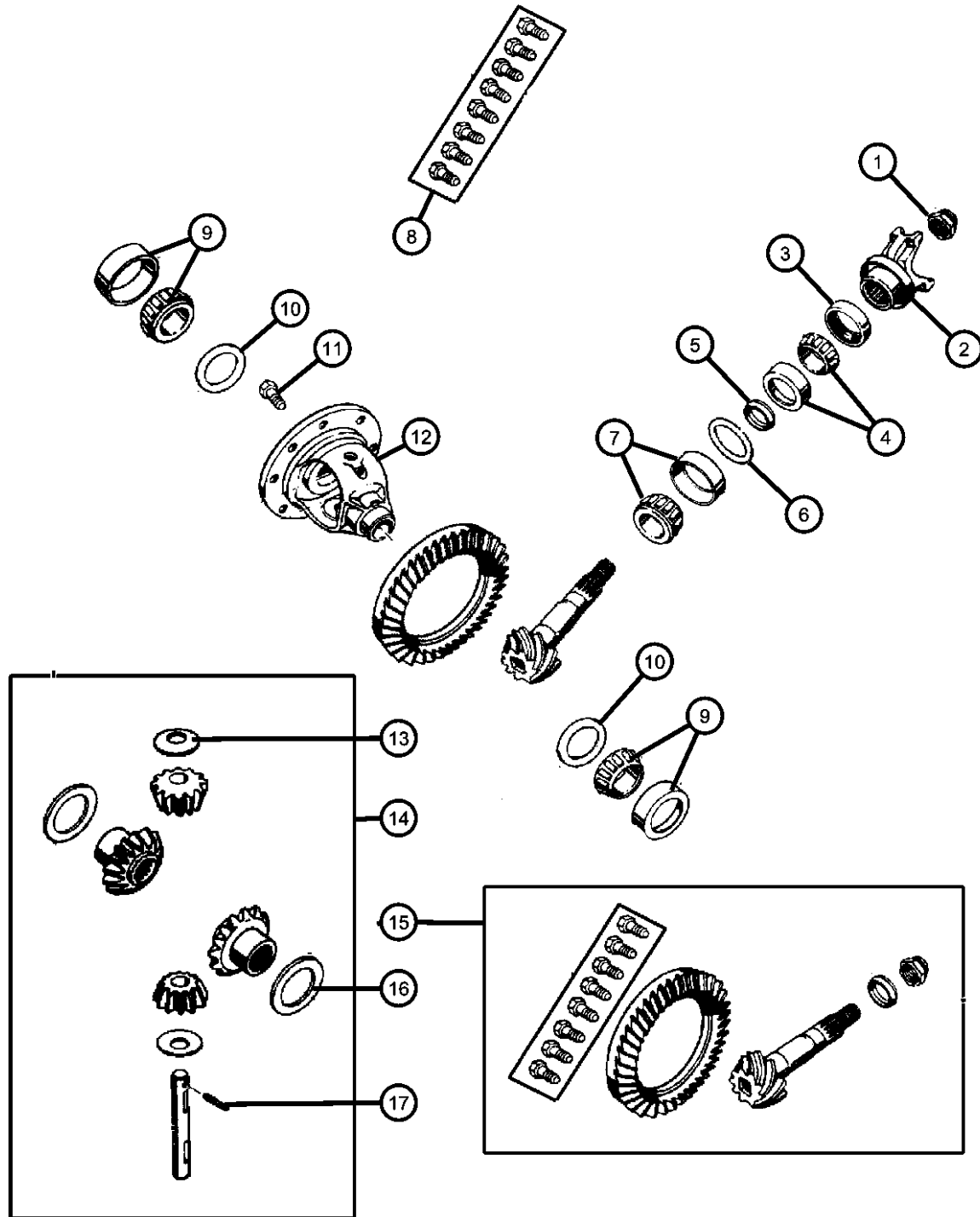
TRANSMISSION
DDD = TRANSMISSION - 5-SPEED HD MANUAL
DDQ = TRANSMISSION - 5-SPEED MANUAL
DGD = TRANSMISSION - 3-SPD. AUTOMATIC,30RH
DGK = TRANSMISSION - 4-SPD. AUTOMATIC,42RE
DGS = TRANSMISSION-4SPD. AUTO,AISIN WARNER
DGT = TRANSMISSION - 4-SPD. AUTOMATIC,46RE
DGW = TRANSMISSION - 4-SPD. AUTOMATIC,44RE
DGX = TRANSMISSION - 4-SPEED AUTOMATIC
DBB = ALL MANUAL TRANSMISSIONS
DGO = ALL AUTOMATIC TRANSMISSIONS

AR = use ase required - = Non illustrated part

**Differential,Without Trac-Lok,Dana 35 [DRJ,DRM]
Figure 3-230**

ITEM	PART NUMBER	QTY	LINE	SERIES	BODY	ENGINE	TRANS	TRIM	DESCRIPTION
------	-------------	-----	------	--------	------	--------	-------	------	-------------

Note:Sales Codes;
 [DMD]=Axle Ratio - 3.55
 [DMM]=Axle Ratio - 3.07
 [DRJ]=Axle - Rear,Dana M35/194MM
 [DRM]=Axle - Rear,Dana 35C/194MM



1	04720895	1							NUT, Pinion Yoke
2									YOKE, Axle
	04746835	1							[DMM]
	04797552	1							[DMD]
3	83504946	1							SEAL, Drive Pinion
4	05252508	1							BEARING, Drive Pinion, Bearing and Cup, Front
5	J3175779	1							SPACER, Drive Pinion Bearing, Crush
6	04720922	1							SHIM KIT, Pinion Shaft
7	05252507	1							BEARING, Drive Pinion, Bearing and Cup, Rear
8	04720891	1							BOLT KIT, Ring Gear, Mounting
9	J8126500	1							BEARING, Differential, Consists of 2 Bearings and 2 Cups
10	83503004	1							SHIM KIT, Differential
11	05252503	10							SCREW, Drive Gear, Ring Gear, Mounting
12									CASE, Differential
	04740833	1							[DMM]
	04740834	1							[DMD]
13	J8120831	1							WASHER, Pinion GearThrust
14	04740670	1							GEAR KIT, Center Differential
15									GEAR KIT, Ring And Pinion

CHEROKEE (XJ)

SERIES	LINE
H = Sport	T = JEEP - 2WD
L = SE	B = JEEP - 2WD (RHD)
P = Classic	J = JEEP - 4WD
S = Limited	U = JEEP - 4WD (RHD)

BODY
74 = 4 Dr (101.4WB)
72 = 2 Dr (101.4WB)

ENGINE
ENC = ENGINE - 2.5L 4 CYL TURBO DIESEL
EPE = ENGINE - 2.5L POWER TECH I-4 Cyl.
ERH = ENGINE - 4.0L POWER TECH I-6

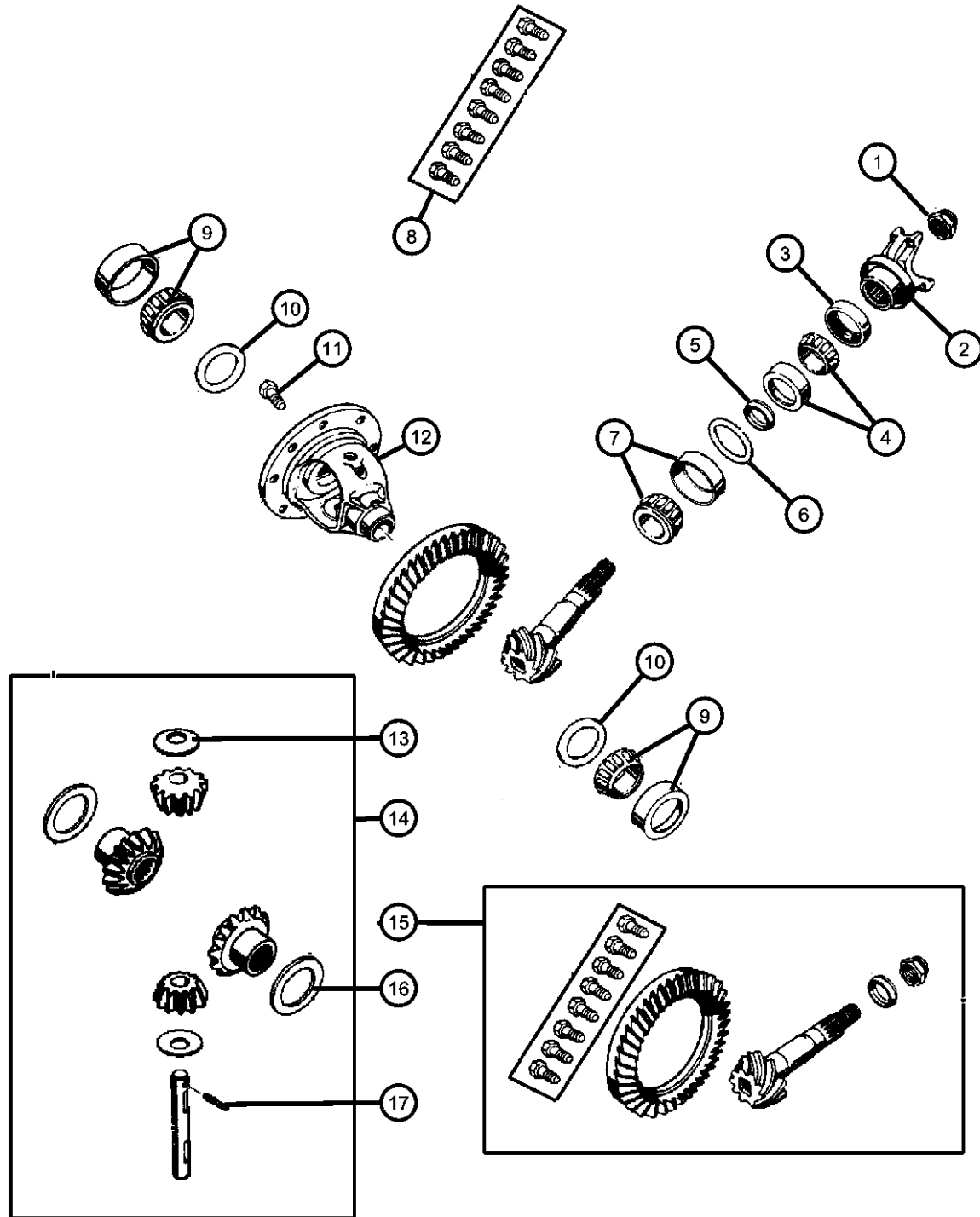
TRANSMISSION
DDD = TRANSMISSION - 5-SPEED HD MANUAL
DDQ = TRANSMISSION - 5-SPEED MANUAL
DGD = TRANSMISSION - 3-SPD. AUTOMATIC,30RH
DGK = TRANSMISSION - 4-SPD. AUTOMATIC,42RE
DGS = TRANSMISSION-4SPD. AUTO,AISIN WARNER
DGT = TRANSMISSION - 4-SPD. AUTOMATIC,46RE
DGW = TRANSMISSION - 4-SPD. AUTOMATIC,44RE
DGX = TRANSMISSION - 4-SPEED AUTOMATIC
DBB = ALL MANUAL TRANSMISSIONS
DGO = ALL AUTOMATIC TRANSMISSIONS

AR = use ase required - = Non illustrated part

2000 XJ

Differential, Without Trac-Lok, Dana 35 [DRJ, DRM]
Figure 3-230

ITEM	PART NUMBER	QTY	LINE	SERIES	BODY	ENGINE	TRANS	TRIM	DESCRIPTION
	04761676	1							[DMD]
	83505472	1							[DMM]
16	J8120832	2							WASHER, Side GearThrust
17	05252502	1							PIN, Differential Shaft
-18									BAFFLE, Drive Pinion
	J0934937	1	J						
		1	U						



CHEROKEE (XJ)

SERIES	LINE
H = Sport	T = JEEP - 2WD
L = SE	B = JEEP - 2WD (RHD)
P = Classic	J = JEEP - 4WD
S = Limited	U = JEEP - 4WD (RHD)

BODY
74 = 4 Dr (101.4WB)
72 = 2 Dr (101.4WB)

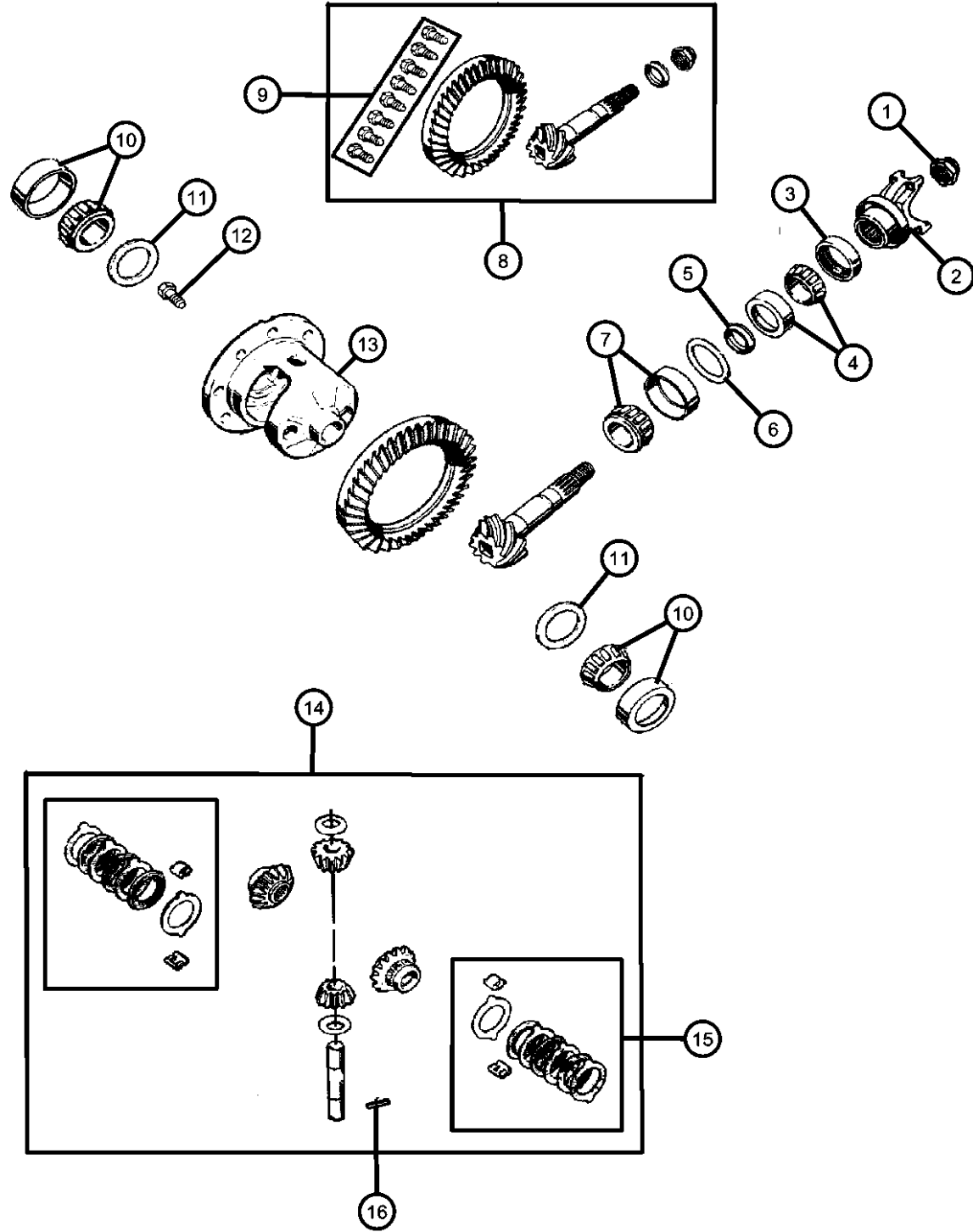
ENGINE
ENC = ENGINE - 2.5L 4 CYL TURBO DIESEL
EPE = ENGINE - 2.5L POWER TECH I-4 Cyl.
ERH = ENGINE - 4.0L POWER TECH I-6

TRANSMISSION
DDD = TRANSMISSION - 5-SPEED HD MANUAL
DDQ = TRANSMISSION - 5-SPEED MANUAL
DGD = TRANSMISSION - 3-SPD. AUTOMATIC, 30RH
DGK = TRANSMISSION - 4-SPD. AUTOMATIC, 42RE
DGS = TRANSMISSION-4SPD. AUTO, AISIN WARNER
DGT = TRANSMISSION - 4-SPD. AUTOMATIC, 46RE
DGW = TRANSMISSION - 4-SPD. AUTOMATIC, 44RE
DGX = TRANSMISSION - 4-SPEED AUTOMATIC
DBB = ALL MANUAL TRANSMISSIONS
DGO = ALL AUTOMATIC TRANSMISSIONS

AR = use ase required - = Non illustrated part

2000 XJ

Differential,With Trac-Lok,Dana 35 [DRJ,DRM]
Figure 3-240



ITEM	PART NUMBER	QTY	LINE	SERIES	BODY	ENGINE	TRANS	TRIM	DESCRIPTION
1	04720895	1							NUT, Pinion Yoke
2	04746835	1							YOKE, Axle [DMM,DME]
	04797552	1							[DMD]
3	83504946	1							SEAL, Drive Pinion
4	05252508	1							BEARING, Drive Pinion, Bearing and Cup, Front
5	J3175779	1							SPACER, Drive Pinion Bearing, Crush
6	04720922	1							SHIM KIT, Pinion Shaft
7	05252507	1							BEARING, Drive Pinion, Bearing and Cup, Rear
8									GEAR KIT, Ring And Pinion [DMD] [DME] [DMM]
	04761676	1							
	04761678	1							
	83505472	1							
9	04720891	1							BOLT KIT, Ring Gear, Mounting
10	J8126500	1							BEARING, Differential, Consists of 2 Bearings and 2 Cups
11	83503004	1							SHIM KIT, Differential
12	05252503	10							SCREW, Drive Gear, Ring Gear, Mounting
13									CASE, Differential [DMD,DME] [DMM]
	05252496	1							
	05252512	1							
14	04773010	1							GEAR KIT, Center Differential
15	05252506	1							DISC AND PLATE KIT, Differential
16	05252502	1							PIN, Differential Shaft

CHEROKEE (XJ)

SERIES LINE
H = Sport T = JEEP - 2WD
L = SE B = JEEP - 2WD (RHD)
P = Classic J = JEEP - 4WD
S = Limited U = JEEP - 4WD (RHD)

BODY
74 = 4 Dr (101.4WB)
72 = 2 Dr (101.4WB)

ENGINE
ENC = ENGINE - 2.5L 4 CYL TURBO DIESEL
EPE = ENGINE - 2.5L POWER TECH I-4 Cyl.
ERH = ENGINE - 4.0L POWER TECH I-6

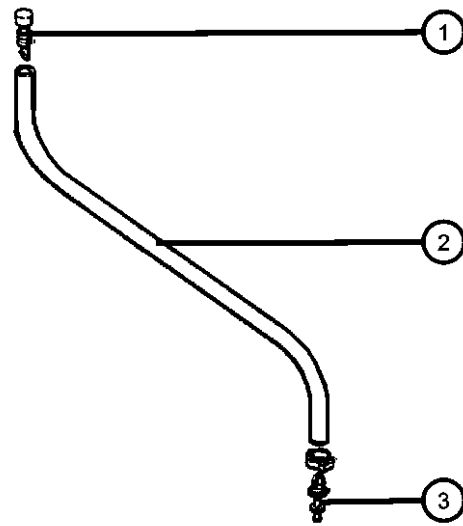
TRANSMISSION
DDD = TRANSMISSION - 5-SPEED HD MANUAL
DDQ = TRANSMISSION - 5-SPEED MANUAL
DGD = TRANSMISSION - 3-SPD. AUTOMATIC,30RH
DGK = TRANSMISSION - 4-SPD. AUTOMATIC,42RE
DGS = TRANSMISSION-4SPD. AUTO,AISIN WARNER
DGT = TRANSMISSION - 4-SPD. AUTOMATIC,46RE
DGW = TRANSMISSION - 4-SPD. AUTOMATIC,44RE
DGX = TRANSMISSION - 4-SPEED AUTOMATIC
DBB = ALL MANUAL TRANSMISSIONS
DGO = ALL AUTOMATIC TRANSMISSIONS

AR = use ase required - = Non illustrated part

2000 XJ

Vent, Axle
Figure 3-310

ITEM	PART NUMBER	QTY	LINE	SERIES	BODY	ENGINE	TRANS	TRIM	DESCRIPTION
1	J3187999	1							VENT, AxleUpper
2	04443176	1							HOSE, Fuel, .31 I.D. 50 Foot Roll
3	52067508	1							BOLT, Axle VentLower



CHEROKEE (XJ)

SERIES

H = Sport
L = SE
P = Classic
S = Limited

LINE

T = JEEP - 2WD
B = JEEP - 2WD (RHD)
J = JEEP - 4WD
U = JEEP - 4WD (RHD)

BODY

74 = 4 Dr (101.4WB)
72 = 2 Dr (101.4WB)

ENGINE

ENC = ENGINE - 2.5L 4 CYL
TURBO DIESEL
EPE = ENGINE - 2.5L POWER
TECH I-4 Cyl.
ERH = ENGINE - 4.0L
POWER TECH I-6

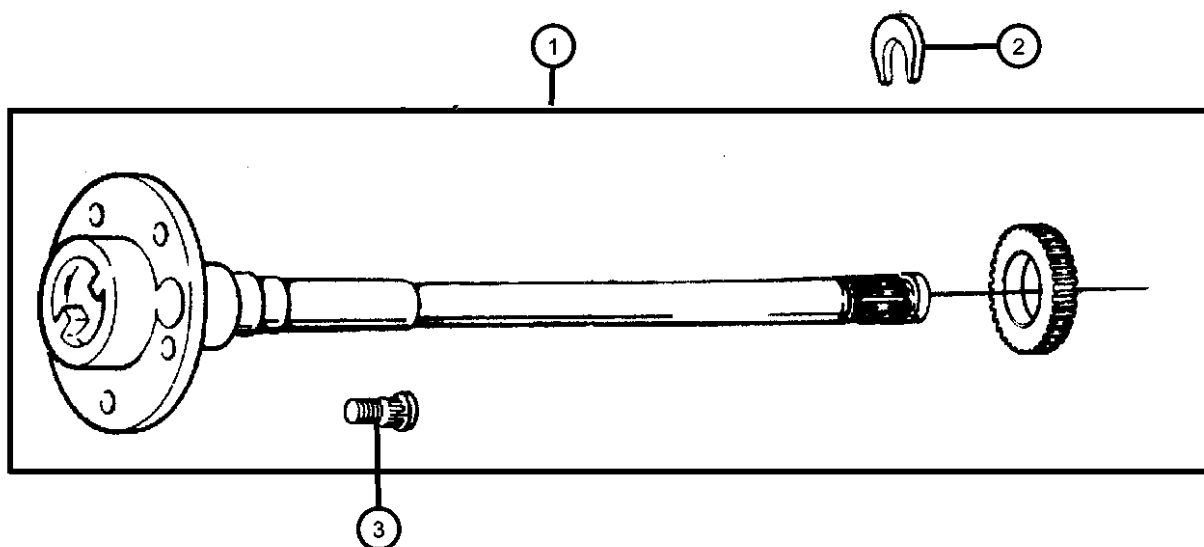
TRANSMISSION

DDD = TRANSMISSION - 5-SPEED
HD MANUAL
DDQ = TRANSMISSION - 5-SPEED
MANUAL
DGD = TRANSMISSION - 3-SPD.
AUTOMATIC,30RH
DGK = TRANSMISSION - 4-SPD.
AUTOMATIC,42RE
DGS = TRANSMISSION-4SPD.
AUTO,AISIN WARNER
DGT = TRANSMISSION - 4-SPD.
AUTOMATIC,46RE
DGW = TRANSMISSION - 4-SPD.
AUTOMATIC,44RE
DGX = TRANSMISSION - 4-SPEED
AUTOMATIC
DBB = ALL MANUAL
TRANSMISSIONS
DGO = ALL AUTOMATIC
TRANSMISSIONS

Shaft,Rear Axle,Dana 35 [DRJ,DRM]

Figure 3-410

ITEM	PART NUMBER	QTY	LINE	SERIES	BODY	ENGINE	TRANS	TRIM	DESCRIPTION
1									SHAFT, Axle
	04713192	1							Right
	04713193	1							Left
2	05252505	2							RETAINER, Axle Shaft
3	83503053	5							STUD, Hub



CHEROKEE (XJ)

SERIES

H = Sport
L = SE
P = Classic
S = Limited

LINE

T = JEEP - 2WD
B = JEEP - 2WD (RHD)
J = JEEP - 4WD
U = JEEP - 4WD (RHD)

BODY

74 = 4 Dr (101.4WB)
72 = 2 Dr (101.4WB)

ENGINE

ENC = ENGINE - 2.5L 4 CYL TURBO DIESEL
EPE = ENGINE - 2.5L POWER TECH I-4 Cyl.
ERH = ENGINE - 4.0L POWER TECH I-6

TRANSMISSION

DDD = TRANSMISSION - 5-SPEED HD MANUAL
DDQ = TRANSMISSION - 5-SPEED MANUAL
DGD = TRANSMISSION - 3-SPD. AUTOMATIC,30RH
DGK = TRANSMISSION - 4-SPD. AUTOMATIC,42RE
DGS = TRANSMISSION-4SPD. AUTO,AISIN WARNER
DGT = TRANSMISSION - 4-SPD. AUTOMATIC,46RE
DGW = TRANSMISSION - 4-SPD. AUTOMATIC,44RE
DGX = TRANSMISSION - 4-SPEED AUTOMATIC
DBB = ALL MANUAL TRANSMISSIONS
DGO = ALL AUTOMATIC TRANSMISSIONS

AR = use ase required - = Non illustrated part

2000 XJ

Group - 4

Parking Brake


Group - 4 Parking Brake

Group-Fig. No.

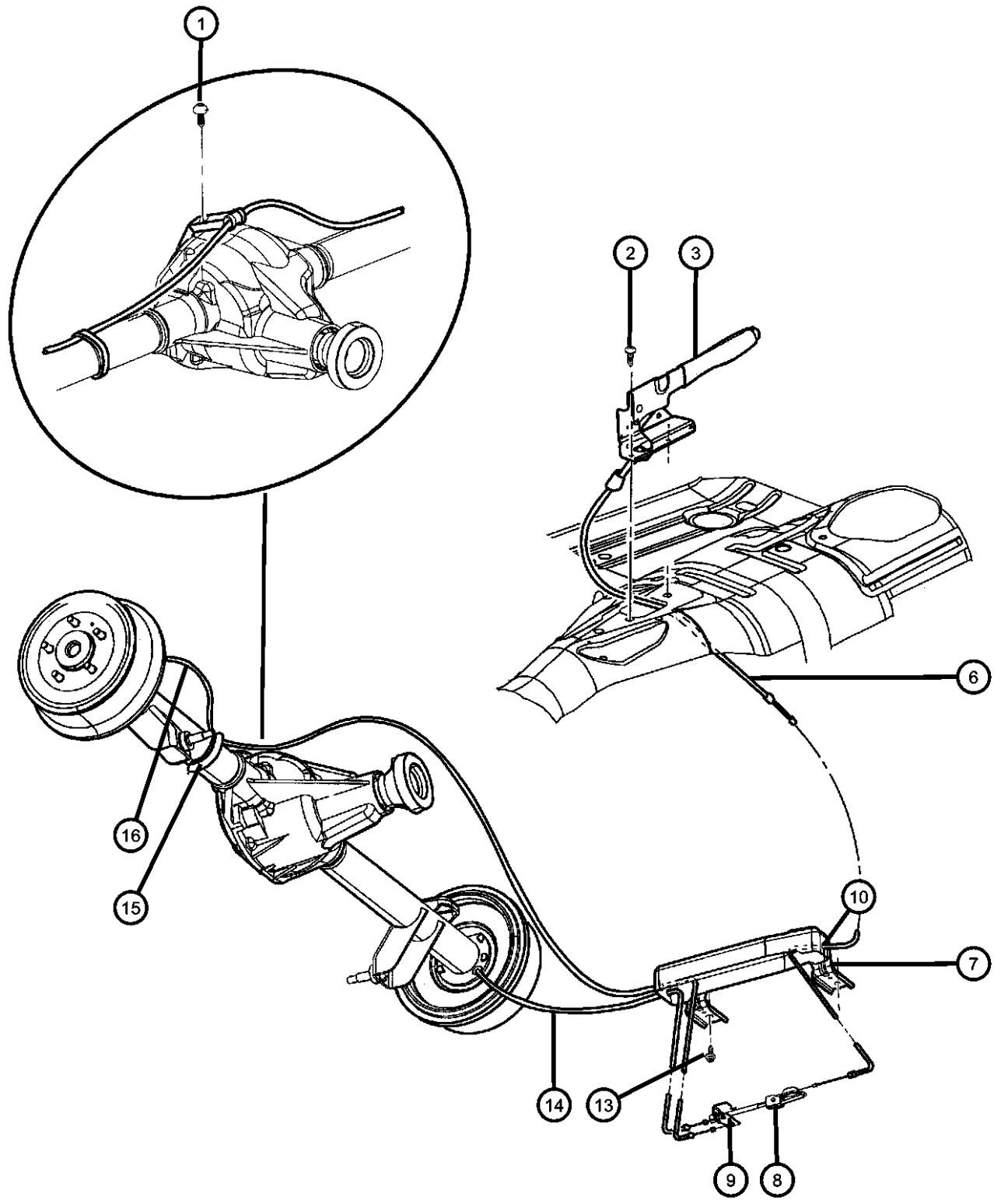
Illustration Title

Parking Brake Lever and Cables

Lever Assembly and Cables..... Fig. 4 - 110

<p>004-100 Parking Brake Lever and Cables</p> 			
--	--	--	--

Lever Assembly and Cables
Figure 4-110



ITEM	PART NUMBER	QTY	LINE	SERIES	BODY	ENGINE	TRANS	TRIM	DESCRIPTION
1	83503053	5							SCREW AND LOCK WASHER, Hex Head, .25-20x.625, (NOT SERVICED)
2	06102141AA	3							SCREW, M6x1x25, Park Brake Lever, Mounting
3	52078943AC	1							LEVER, Park Brake
-4	52127960	1							SWITCH, Parking Brake
-5	52078012	1							CLIP, Parking Brake Cable, Park Brake Lever to Tensioner
6	52128164AB	1							CABLE, Parking BrakeFront
7	52128172	1							BRACKET, Parking Brake, Park Brake Cable Support
8	52128185	1							ADJUSTER, Parking Brake Cable
9	04423264	1							EQUALIZER, Parking Brake Cable
10	04423735	1							WASHER, Teflon, ID=.380 /OD=.760/THK=.025, Adjusting
-11	00274865	1							SPACER, Parking Brake
-12	06030607	1							NUT, Hex Flange Lock, .312-18
13	06100582	2							BOLT AND CONED WASHER, Hex Head, M8x20x20, Park Brake Cable Support Bracket, Mounting
14	52128073	1							CABLE, Parking BrakeLeft Rear
15	52007800	1							CLIP, Brake Tube
16	52128072AD	1							CABLE, Parking BrakeRight Rear
-17	52128235AA	1							BRACKET, Brake Cable Guide
-18	J3234854	1							CLIP, Brake Tube, Cable to Axle
-19	04641780	1							STRAP, Tie, Cable to Axle, Mounting
-20	34201912	2							SCREW, Self Tapping, M6x1x14, Cable to Axle, Mounting

CHEROKEE (XJ)				
SERIES	LINE	BODY	ENGINE	TRANSMISSION
H = Sport	T = JEEP - 2WD	74 = 4 Dr (101.4WB)	ENC = ENGINE - 2.5L 4 CYL TURBO DIESEL	DDD = TRANSMISSION - 5-SPEED HD MANUAL
L = SE	B = JEEP - 2WD (RHD)	72 = 2 Dr (101.4WB)	EPE = ENGINE - 2.5L POWER TECH I-4 Cyl.	DDQ = TRANSMISSION - 5-SPEED MANUAL
P = Classic	J = JEEP - 4WD		ERH = ENGINE - 4.0L POWER TECH I-6	DGD = TRANSMISSION - 3-SPD. AUTOMATIC,30RH
S = Limited	U = JEEP - 4WD (RHD)			DGK = TRANSMISSION - 4-SPD. AUTOMATIC,42RE
				DGS = TRANSMISSION-4SPD. AUTO,AISIN WARNER
				DGT = TRANSMISSION - 4-SPD. AUTOMATIC,46RE
				DGW = TRANSMISSION - 4-SPD. AUTOMATIC,44RE
				DGX = TRANSMISSION - 4-SPEED AUTOMATIC
				DBB = ALL MANUAL TRANSMISSIONS
				DGO = ALL AUTOMATIC TRANSMISSIONS

AR = use ase required - = Non illustrated part

Group - 5

Service Brakes

Group - 5 Service Brakes

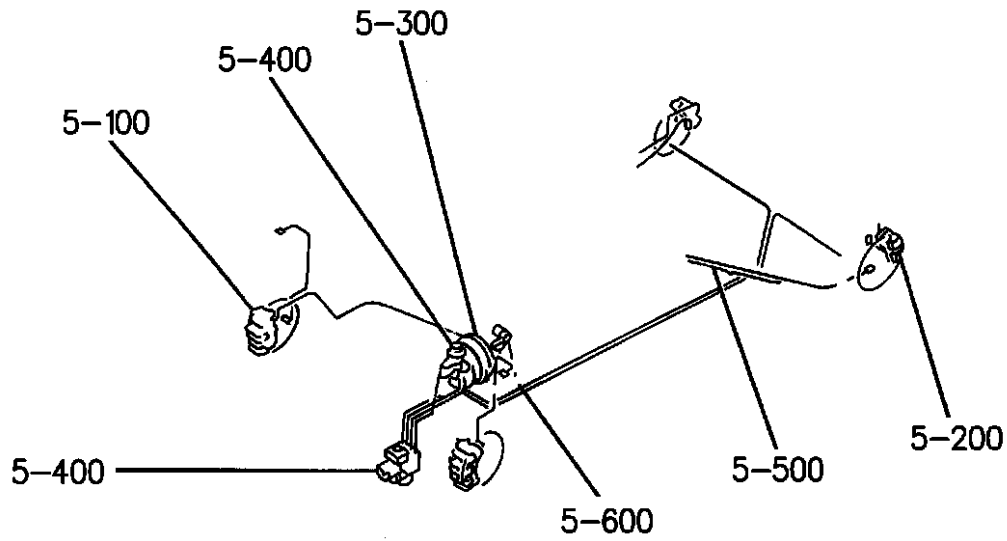


Illustration Title

Group-Fig. No.

Front Brakes

Brakes,Front..... Fig. 5 - 110

Rear Brakes

Brakes,Rear,9 Inches X 2.5 Inches Fig. 5 - 210

Brakes,Rear,10 Inches X 1 3/4 Inches,[AHB] Fig. 5 - 220

Power Brake Booster

Master Cylinder and Booster Fig. 5 - 310

Brake Master Cylinder

Hydraulic Control Unit..... Fig. 5 - 410

Brake Lines and Hoses

Brake Lines,Front,LHD,Without Anti-Lock Brakes Fig. 5 - 510

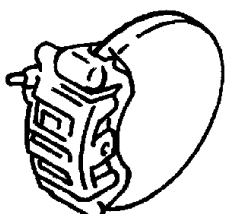
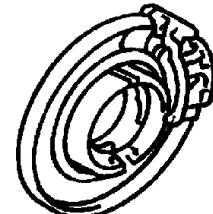
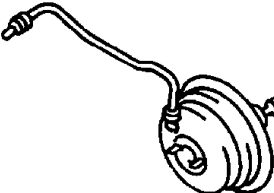
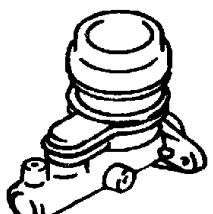
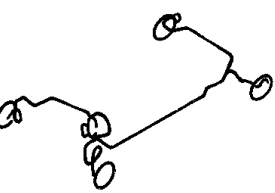
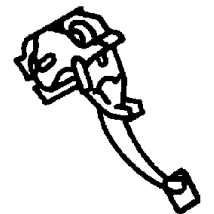
Brake Lines,Front,RHD,Without Anti-Lock Brakes Fig. 5 - 520

Brake Lines,Front,LHD,RHD,With Anti-Lock Brakes Fig. 5 - 530

Brake Lines and Hoses,Rear..... Fig. 5 - 540

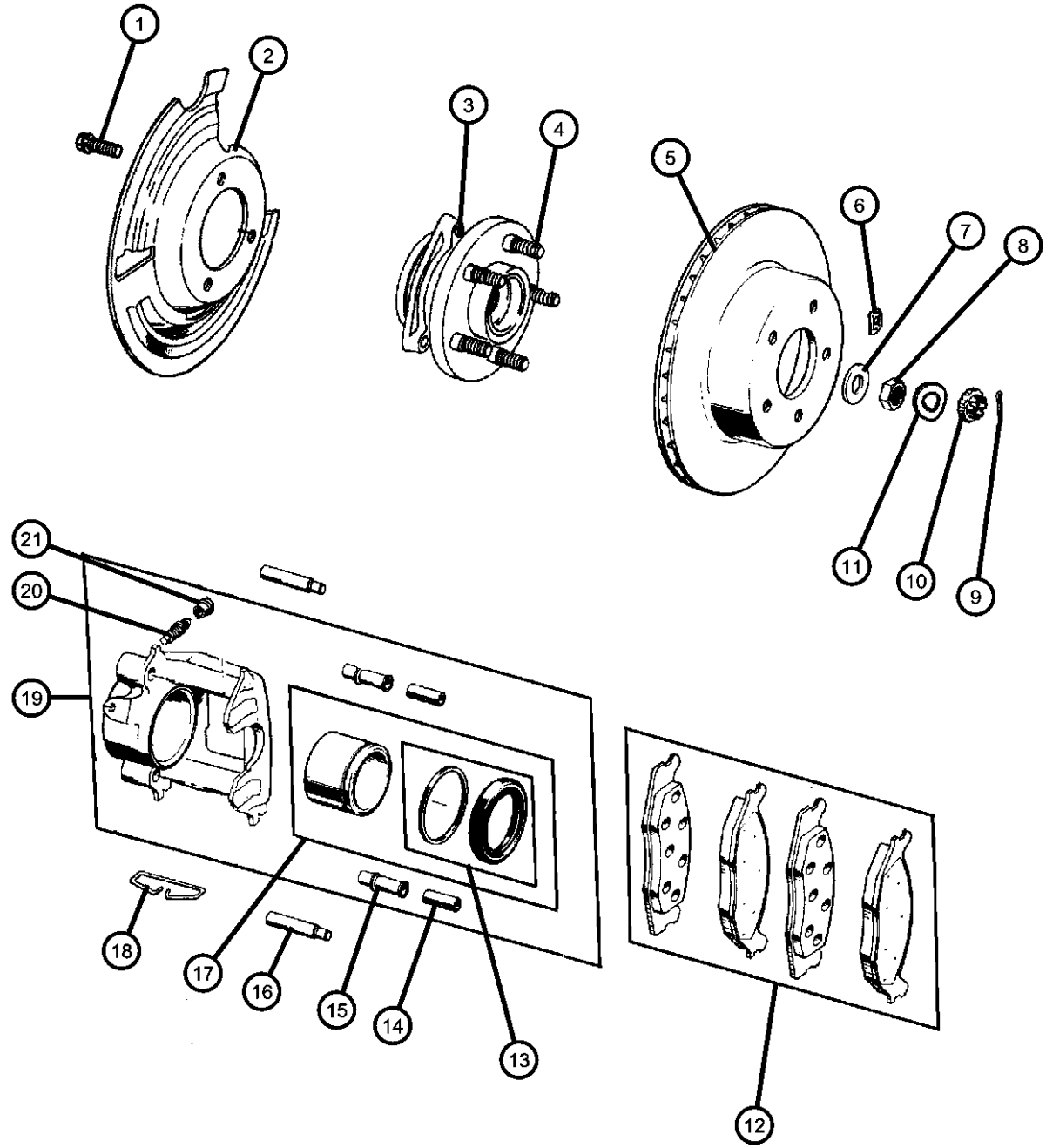
Brake Pedals

Brake Pedal..... Fig. 5 - 610

<p>005-100 Front Brakes</p> 	<p>005-200 Rear Brakes</p> 	<p>005-300 Power Brake Booster</p> 	<p>005-400 Brake Master Cylinder</p> 
<p>005-500 Brake Lines and Hoses</p> 	<p>005-600 Brake Pedals</p> 		

Brakes,Front
Figure 5-110

ITEM	PART NUMBER	QTY	LINE	SERIES	BODY	ENGINE	TRANS	TRIM	DESCRIPTION
------	-------------	-----	------	--------	------	--------	-------	------	-------------



1	34201535	6	J						BOLT Knuckle to Hub and Bearing, Mounting
		6	U						Knuckle to Hub and Bearing, Mounting
		6	B		74				Knuckle to Hub and Bearing, Mounting
		6	T						Knuckle to Hub and Bearing, Mounting
2	52005476	1	T						SHIELD, Brake Right
		1	B		74				Right
		1	U						Right
		1	J						Right
	52005477	1	T						Left
		1	B		74				Left
		1	J						Left
		1	U						Left
3	53007449AC	2	T						HUB AND BEARING, Brake
		2	B		74				
		2	U						
		2	J						
4	06036194AA	10	T						STUD, Hub
		10	B		74				
		10	J						
		10	U						

CHEROKEE (XJ)

SERIES

H = Sport
L = SE
P = Classic
S = Limited

LINE

T = JEEP - 2WD
B = JEEP - 2WD (RHD)
J = JEEP - 4WD
U = JEEP - 4WD (RHD)

BODY

74 = 4 Dr (101.4WB)
72 = 2 Dr (101.4WB)

ENGINE

ENC = ENGINE - 2.5L 4 CYL TURBO DIESEL
EPE = ENGINE - 2.5L POWER TECH I-4 Cyl.
ERH = ENGINE - 4.0L POWER TECH I-6

TRANSMISSION

DDD = TRANSMISSION - 5-SPEED HD MANUAL
DDQ = TRANSMISSION - 5-SPEED MANUAL
DGD = TRANSMISSION - 3-SPD. AUTOMATIC,30RH
DGK = TRANSMISSION - 4-SPD. AUTOMATIC,42RE
DGS = TRANSMISSION-4SPD. AUTO,AISIN WARNER
DGT = TRANSMISSION - 4-SPD. AUTOMATIC,46RE
DGW = TRANSMISSION - 4-SPD. AUTOMATIC,44RE
DGX = TRANSMISSION - 4-SPEED AUTOMATIC
DBB = ALL MANUAL TRANSMISSIONS
DGO = ALL AUTOMATIC TRANSMISSIONS

AR = use ase required - = Non illustrated part

2000 XJ

Brakes,Front
Figure 5-110

ITEM	PART NUMBER	QTY	LINE	SERIES	BODY	ENGINE	TRANS	TRIM	DESCRIPTION
5	52008440AB	2	T						ROTOR, Brake
	VCCA6434								Make It Ceramic Brake Kit (w/Cast Rotors)
	V5016434AB								Mopar V-Line Alternative Brake Rotors
	VXJ16434								Make It New Brake Kits (w/Cast Rotors)
	V5016434								Mopar V-Line Alternative Part
	VCCA6434	2	B		74				Make It Ceramic Brake Kit (w/Cast Rotors)
	V5016434AB								Mopar V-Line Alternative Brake Rotors
	VXJ16434								Make It New Brake Kits (w/Cast Rotors)
	V5016434								Mopar V-Line Alternative Part
	VCCA6434	2	J						Make It Ceramic Brake Kit (w/Cast Rotors)
	V5016434AB								Mopar V-Line Alternative Brake Rotors
	VXJ16434								Make It New Brake Kits (w/Cast Rotors)
	V5016434								Mopar V-Line Alternative Part
	VCCA6434	2	U						Make It Ceramic Brake Kit (w/Cast Rotors)
	V5016434AB								Mopar V-Line Alternative Brake Rotors
	VXJ16434								Make It New Brake Kits (w/Cast Rotors)

CHEROKEE (XJ)

SERIES

H = Sport
L = SE
P = Classic
S = Limited

LINE

T = JEEP - 2WD
B = JEEP - 2WD (RHD)
J = JEEP - 4WD
U = JEEP - 4WD (RHD)

BODY

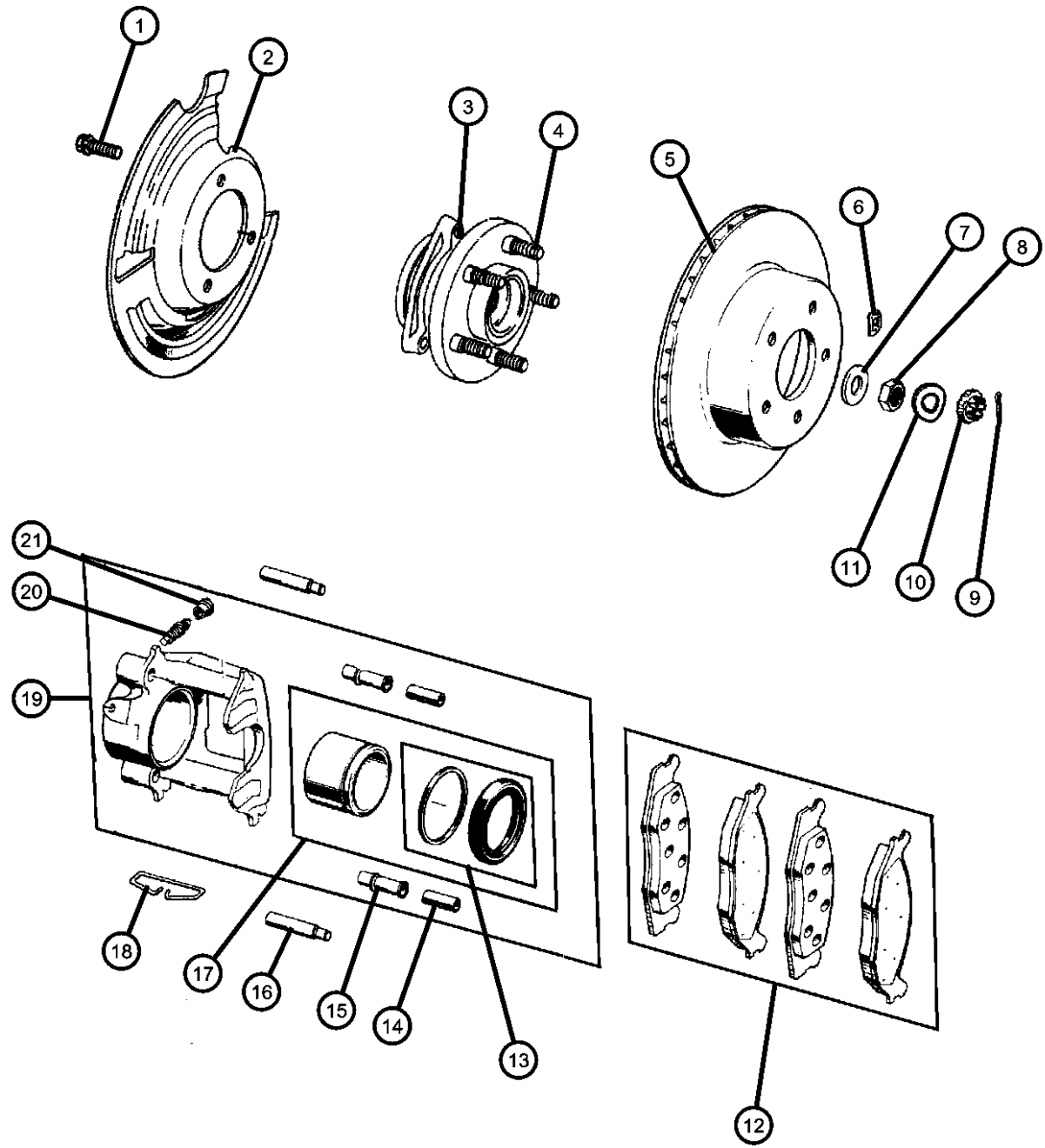
74 = 4 Dr (101.4WB)
72 = 2 Dr (101.4WB)

ENGINE

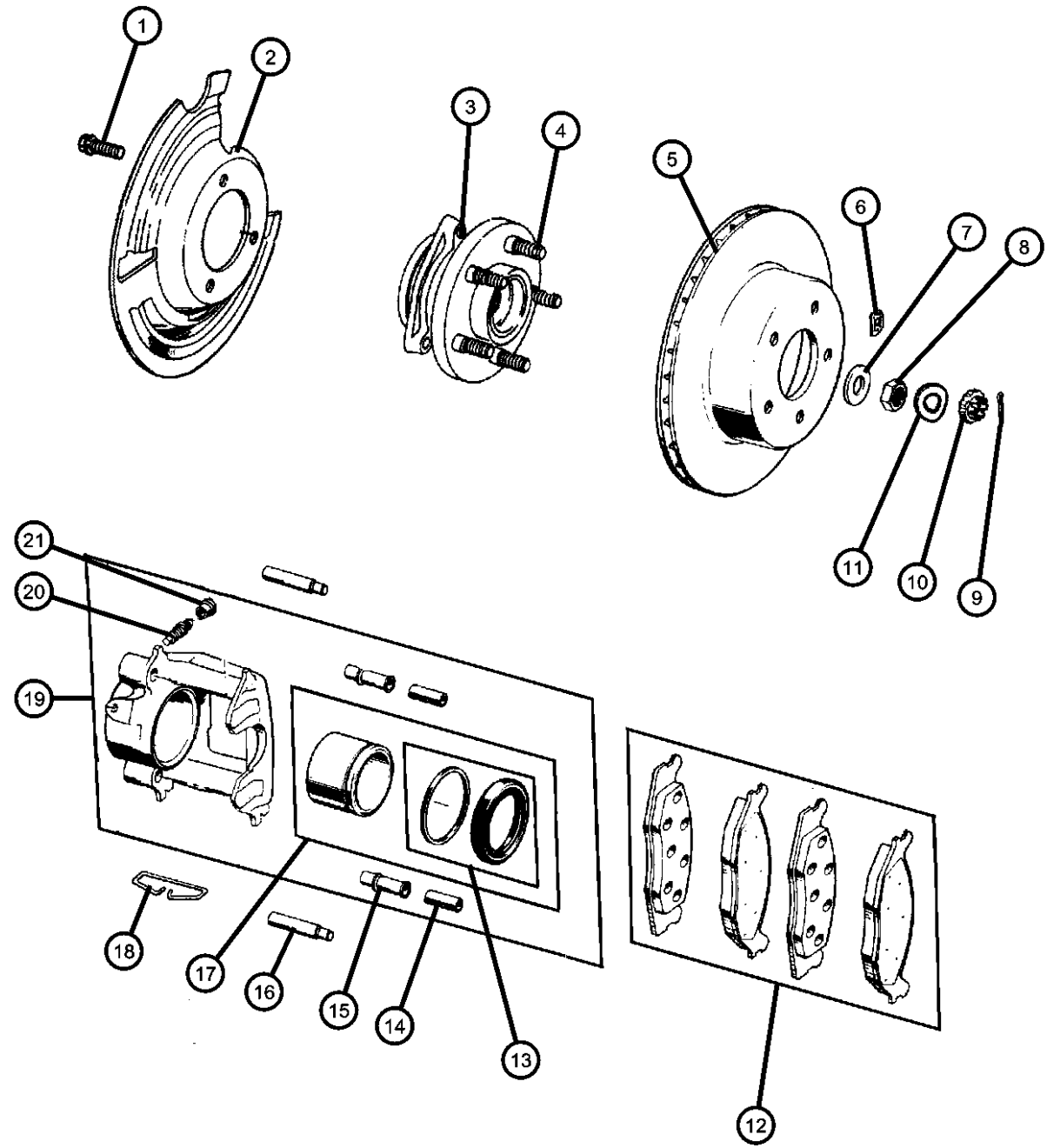
ENC = ENGINE - 2.5L 4 CYL TURBO DIESEL
EPE = ENGINE - 2.5L POWER TECH I-4 Cyl.
ERH = ENGINE - 4.0L POWER TECH I-6

TRANSMISSION

DDD = TRANSMISSION - 5-SPEED HD MANUAL
DDQ = TRANSMISSION - 5-SPEED MANUAL
DGD = TRANSMISSION - 3-SPD. AUTOMATIC,30RH
DGK = TRANSMISSION - 4-SPD. AUTOMATIC,42RE
DGS = TRANSMISSION-4SPD. AUTO,AISIN WARNER
DGT = TRANSMISSION - 4-SPD. AUTOMATIC,46RE
DGW = TRANSMISSION - 4-SPD. AUTOMATIC,44RE
DGX = TRANSMISSION - 4-SPEED AUTOMATIC
DBB = ALL MANUAL TRANSMISSIONS
DGO = ALL AUTOMATIC TRANSMISSIONS



Brakes,Front
Figure 5-110



ITEM	PART NUMBER	QTY	LINE	SERIES	BODY	ENGINE	TRANS	TRIM	DESCRIPTION
	V5016434								Mopar V-Line Alternative Part
6	06026430	AR							NUT, Push
7									WASHER, Flat
	J4200096	2	J						
		2	U						
		2	B		74				
		2	T						
8									NUT, Hex
	J4200095	2	J						
		2	B		74				
		2	T						
		2	U						
9									PIN, Cotter, M4x40.00
	11010069	6	J						
		6	B		74				
		6	T						
		6	U						
10									RETAINER, Hub Nut
	J4200097	2	J						
		2	U						
		2	B		74				
		2	T						
11									WASHER, Wave
	04740749	2	T						
		2	U						

CHEROKEE (XJ)

SERIES

H = Sport
L = SE
P = Classic
S = Limited

LINE

T = JEEP - 2WD
B = JEEP - 2WD (RHD)
J = JEEP - 4WD
U = JEEP - 4WD (RHD)

BODY

74 = 4 Dr (101.4WB)
72 = 2 Dr (101.4WB)

ENGINE

ENC = ENGINE - 2.5L 4 CYL TURBO DIESEL
EPE = ENGINE - 2.5L POWER TECH I-4 Cyl.
ERH = ENGINE - 4.0L POWER TECH I-6

TRANSMISSION

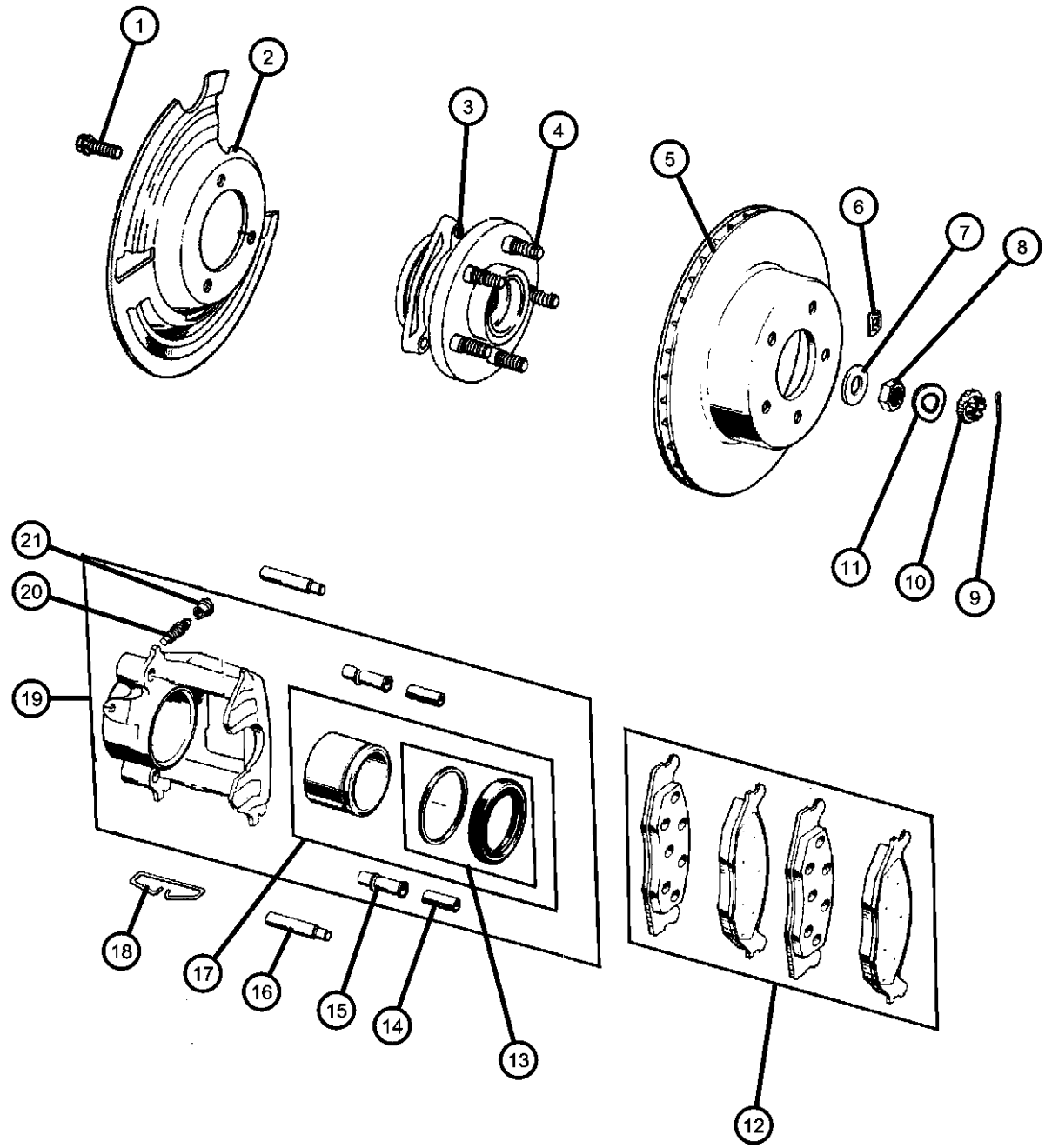
DDD = TRANSMISSION - 5-SPEED HD MANUAL
DDQ = TRANSMISSION - 5-SPEED MANUAL
DGD = TRANSMISSION - 3-SPD. AUTOMATIC,30RH
DGK = TRANSMISSION - 4-SPD. AUTOMATIC,42RE
DGS = TRANSMISSION-4SPD. AUTO,AISIN WARNER
DGT = TRANSMISSION - 4-SPD. AUTOMATIC,46RE
DGW = TRANSMISSION - 4-SPD. AUTOMATIC,44RE
DGX = TRANSMISSION - 4-SPEED AUTOMATIC
DBB = ALL MANUAL TRANSMISSIONS
DGO = ALL AUTOMATIC TRANSMISSIONS

AR = use ase required - = Non illustrated part

2000 XJ

Brakes,Front
Figure 5-110

ITEM	PART NUMBER	QTY	LINE	SERIES	BODY	ENGINE	TRANS	TRIM	DESCRIPTION
------	-------------	-----	------	--------	------	--------	-------	------	-------------



		2	J						
		2	B		74				
12									PAD KIT, Front Disc Brake
	04778058	1	J						Mopar V-Line Alternative Part
	V1010058AB								Make It New Brake Kits (w/Composite Rotors)
	VXJ15965								Make It Ceramic Brake Kit (w/Composite Rotors)
	VCXJ5965								Mopar V-Line Alternative Part Ceramic
	V3010058								
		1	U						Mopar V-Line Alternative Part
	V1010058AB								Make It New Brake Kits (w/Composite Rotors)
	VXJ15965								Make It Ceramic Brake Kit (w/Composite Rotors)
	VCXJ5965								Mopar V-Line Alternative Part Ceramic
	V3010058								
	04883344	1	B		74				Mopar V-Line Alternative Part Disc Hardware
	BHKH5605								Mopar V-Line Alternative Part Caliper Bolts
	BHKH5066								Mopar V-Line Alternative Part
	V1010058AB								Mopar Loaded Brake Caliper Kit (2 Calipers, Brake Friction)
	VK298584AA								Make It New Brake Kits (w/Cast Rotors)
	VXJ16434								Make It New Brake Kits (w/Cast Rotors)
	VCCA6434								

CHEROKEE (XJ)

SERIES	LINE
H = Sport	T = JEEP - 2WD
L = SE	B = JEEP - 2WD (RHD)
P = Classic	J = JEEP - 4WD
S = Limited	U = JEEP - 4WD (RHD)

BODY
74 = 4 Dr (101.4WB)
72 = 2 Dr (101.4WB)

ENGINE
ENC = ENGINE - 2.5L 4 CYL TURBO DIESEL
EPE = ENGINE - 2.5L POWER TECH I-4 Cyl.
ERH = ENGINE - 4.0L POWER TECH I-6

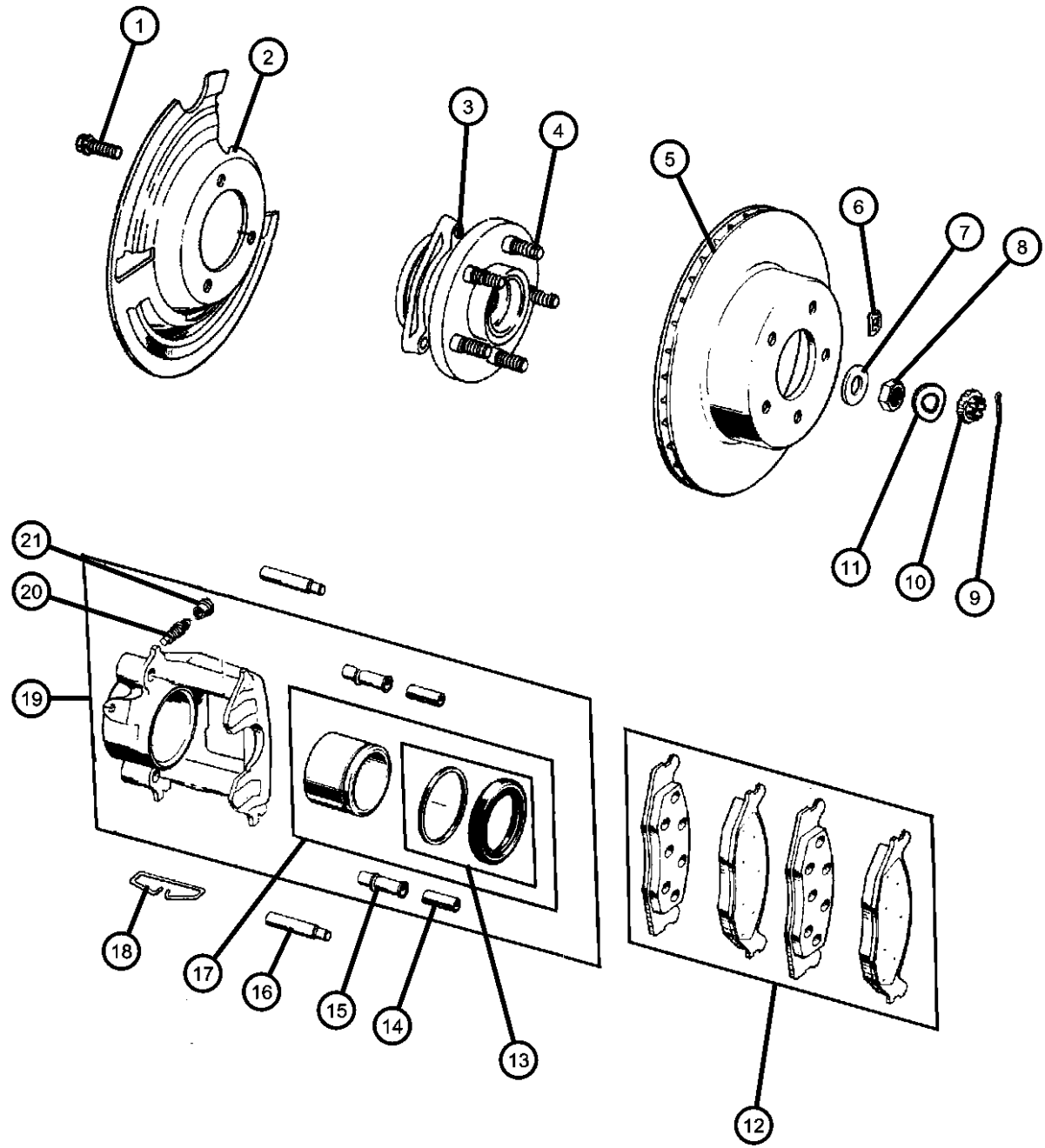
TRANSMISSION
DDD = TRANSMISSION - 5-SPEED HD MANUAL
DDQ = TRANSMISSION - 5-SPEED MANUAL
DGD = TRANSMISSION - 3-SPD. AUTOMATIC,30RH
DGK = TRANSMISSION - 4-SPD. AUTOMATIC,42RE
DGS = TRANSMISSION-4SPD. AUTO,AISIN WARNER
DGT = TRANSMISSION - 4-SPD. AUTOMATIC,46RE
DGW = TRANSMISSION - 4-SPD. AUTOMATIC,44RE
DGX = TRANSMISSION - 4-SPEED AUTOMATIC
DBB = ALL MANUAL TRANSMISSIONS
DGO = ALL AUTOMATIC TRANSMISSIONS

AR = use ase required - = Non illustrated part

2000 XJ

Brakes,Front
Figure 5-110

ITEM	PART NUMBER	QTY	LINE	SERIES	BODY	ENGINE	TRANS	TRIM	DESCRIPTION
------	-------------	-----	------	--------	------	--------	-------	------	-------------



	VOE16434								Make It Original Brake Kit (w/Cast Rotors)
	V3010058								Mopar V-Line Alternative Part Ceramic
	BHKH5605	1	T						Mopar V-Line Alternative Part Disc Hardware
	BHKH5066								Mopar V-Line Alternative Part Caliper Bolts
	V1010058AB								Mopar V-Line Alternative Part
	VK298584AA								Mopar Loaded Brake Caliper Kit (2 Calipers, Brake Friction)
	VXJ16434								Make It New Brake Kits (w/Cast Rotors)
	VCCA6434								Make It New Brake Kits (w/Cast Rotors)
	VOE16434								Make It Original Brake Kit (w/Cast Rotors)
	V3010058								Mopar V-Line Alternative Part Ceramic
13	J8133852	1	T						BOOT AND SEAL, Disc Brake
		1	B		74				
		1	U						
		1	J						
14	04383471	2	T						BUSHING, Disc Brake Caliper
		2	B		74				
		2	U						
		2	J						

CHEROKEE (XJ)

SERIES LINE
H = Sport T = JEEP - 2WD
L = SE B = JEEP - 2WD (RHD)
P = Classic J = JEEP - 4WD
S = Limited U = JEEP - 4WD (RHD)

BODY
74 = 4 Dr (101.4WB)
72 = 2 Dr (101.4WB)

ENGINE
ENC = ENGINE - 2.5L 4 CYL TURBO DIESEL
EPE = ENGINE - 2.5L POWER TECH I-4 Cyl.
ERH = ENGINE - 4.0L POWER TECH I-6

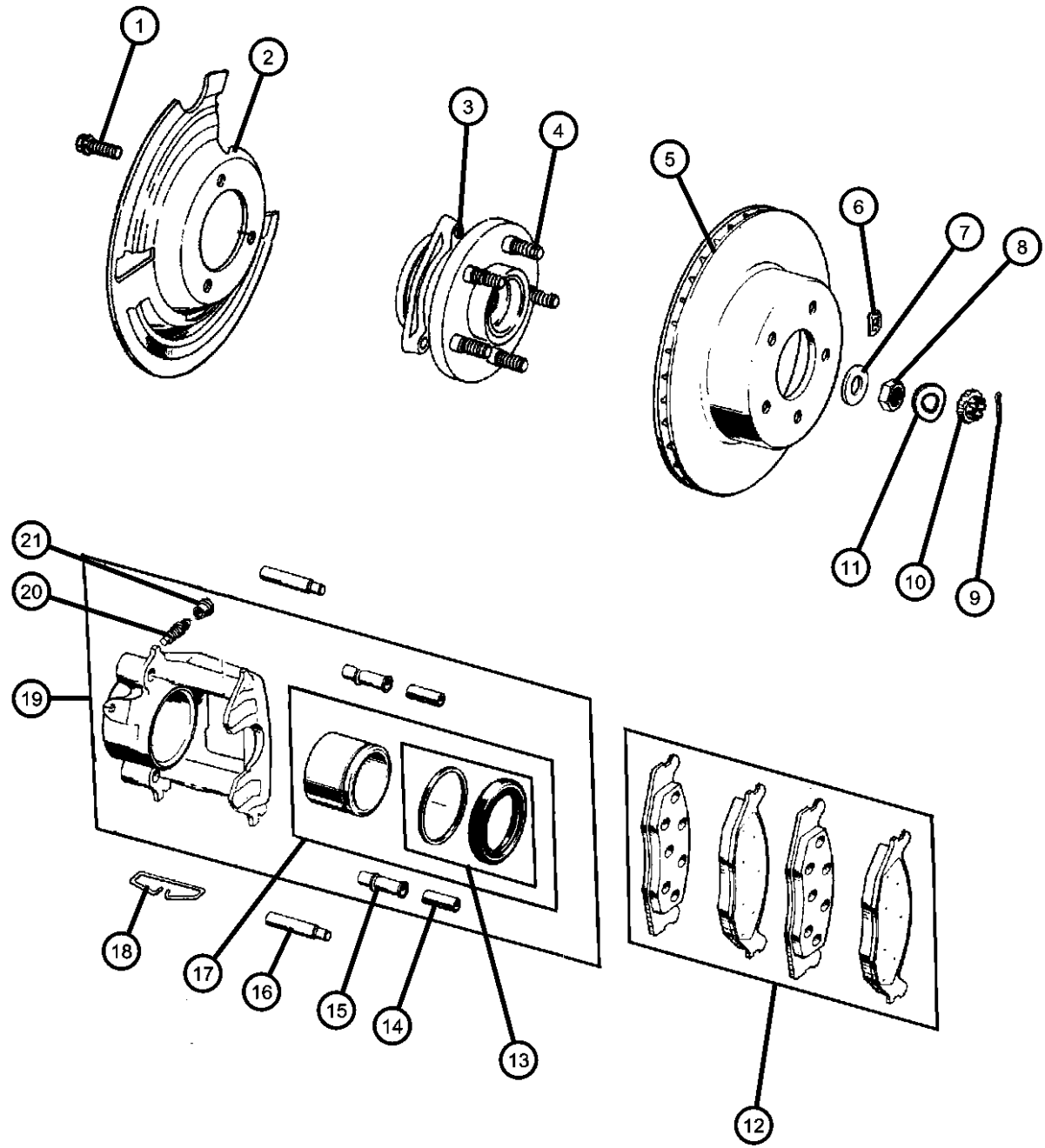
TRANSMISSION
DDD = TRANSMISSION - 5-SPEED HD MANUAL
DDQ = TRANSMISSION - 5-SPEED MANUAL
DGD = TRANSMISSION - 3-SPD. AUTOMATIC,30RH
DGK = TRANSMISSION - 4-SPD. AUTOMATIC,42RE
DGS = TRANSMISSION-4SPD. AUTO,AISIN WARNER
DGT = TRANSMISSION - 4-SPD. AUTOMATIC,46RE
DGW = TRANSMISSION - 4-SPD. AUTOMATIC,44RE
DGX = TRANSMISSION - 4-SPEED AUTOMATIC
DBB = ALL MANUAL TRANSMISSIONS
DGO = ALL AUTOMATIC TRANSMISSIONS

AR = use ase required - = Non illustrated part

2000 XJ

Brakes,Front
Figure 5-110

ITEM	PART NUMBER	QTY	LINE	SERIES	BODY	ENGINE	TRANS	TRIM	DESCRIPTION
------	-------------	-----	------	--------	------	--------	-------	------	-------------



15	04423573	2	T						SLEEVE, Disc Brake Caliper
		2	B		74				
		2	U						
		2	J						
16	05253000	4	T						PIN, Caliper
		4	B		74				
		4	U						
		4	J						
17	05252614	1	B		74				PISTON, Brake
		1	U						
		1	J						
		1	T						
18	J3239865	1	U						CLIP, Brake Caliper
		1	J						
		1	B		74				
		1	T						
19	05252984	1	T						CALIPER, Disc Brake
	R5252984								Right
	VK298584AA								Mopar Remanufactured Part
									Mopar Loaded Brake Caliper Kit
									(2 Calipers, Brake Friction)

CHEROKEE (XJ)

SERIES LINE
H = Sport T = JEEP - 2WD
L = SE B = JEEP - 2WD (RHD)
P = Classic J = JEEP - 4WD
S = Limited U = JEEP - 4WD (RHD)

BODY
74 = 4 Dr (101.4WB)
72 = 2 Dr (101.4WB)

ENGINE
ENC = ENGINE - 2.5L 4 CYL TURBO DIESEL
EPE = ENGINE - 2.5L POWER TECH I-4 Cyl.
ERH = ENGINE - 4.0L POWER TECH I-6

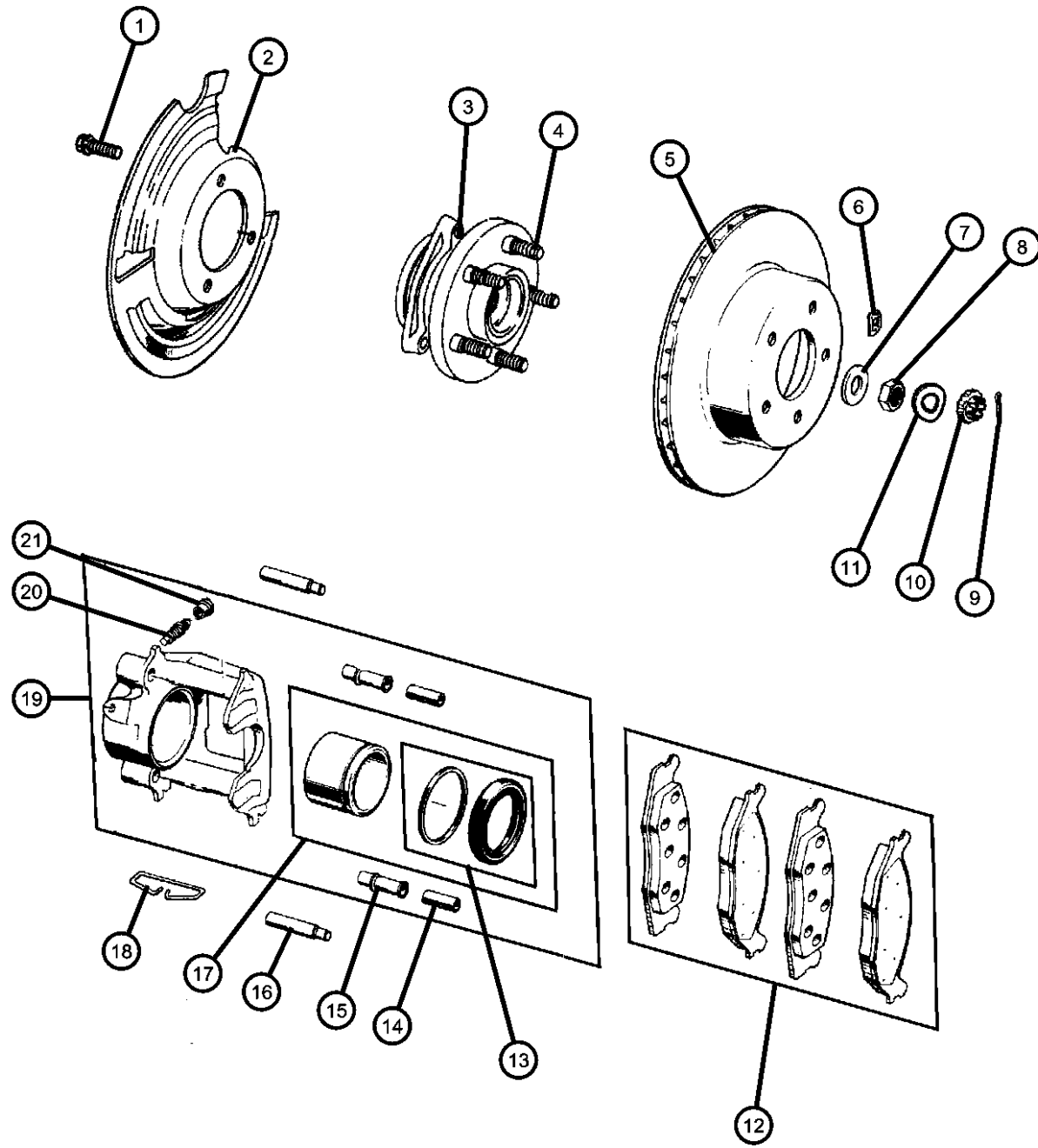
TRANSMISSION
DDD = TRANSMISSION - 5-SPEED HD MANUAL
DDQ = TRANSMISSION - 5-SPEED MANUAL
DGD = TRANSMISSION - 3-SPD. AUTOMATIC,30RH
DGK = TRANSMISSION - 4-SPD. AUTOMATIC,42RE
DGS = TRANSMISSION-4SPD. AUTO,AISIN WARNER
DGT = TRANSMISSION - 4-SPD. AUTOMATIC,46RE
DGW = TRANSMISSION - 4-SPD. AUTOMATIC,44RE
DGX = TRANSMISSION - 4-SPEED AUTOMATIC
DBB = ALL MANUAL TRANSMISSIONS
DGO = ALL AUTOMATIC TRANSMISSIONS

AR = use ase required - = Non illustrated part

2000 XJ

Brakes,Front
Figure 5-110

ITEM	PART NUMBER	QTY	LINE	SERIES	BODY	ENGINE	TRANS	TRIM	DESCRIPTION
------	-------------	-----	------	--------	------	--------	-------	------	-------------



	R5252984 VK298584AA	1	B		74				Right Mopar Remanufactured Part Mopar Loaded Brake Caliper Kit (2 Calipers, Brake Friction) Right
	R5252984 VK298584AA	1	U						Mopar Remanufactured Part Mopar Loaded Brake Caliper Kit (2 Calipers, Brake Friction) Right
	R5252984 VK298584AA	1	J						Mopar Remanufactured Part Mopar Loaded Brake Caliper Kit (2 Calipers, Brake Friction) Right
	05252985 R5252985 VK298584AA	1	T						Mopar Remanufactured Part Mopar Loaded Brake Caliper Kit (2 Calipers, Brake Friction) Left
	R5252985 VK298584AA	1	B		74				Mopar Remanufactured Part Mopar Loaded Brake Caliper Kit (2 Calipers, Brake Friction) Left
	R5252985 VK298584AA	1	U						Mopar Remanufactured Part Mopar Loaded Brake Caliper Kit (2 Calipers, Brake Friction) Left
	R5252985 VK298584AA	1	J						Mopar Remanufactured Part Mopar Loaded Brake Caliper Kit (2 Calipers, Brake Friction) Left
20									SCREW, Bleeder

CHEROKEE (XJ)

SERIES LINE
H = Sport T = JEEP - 2WD
L = SE B = JEEP - 2WD (RHD)
P = Classic J = JEEP - 4WD
S = Limited U = JEEP - 4WD (RHD)

BODY
74 = 4 Dr (101.4WB)
72 = 2 Dr (101.4WB)

ENGINE
ENC = ENGINE - 2.5L 4 CYL
TURBO DIESEL
EPE = ENGINE - 2.5L POWER
TECH I-4 Cyl.
ERH = ENGINE - 4.0L
POWER TECH I-6

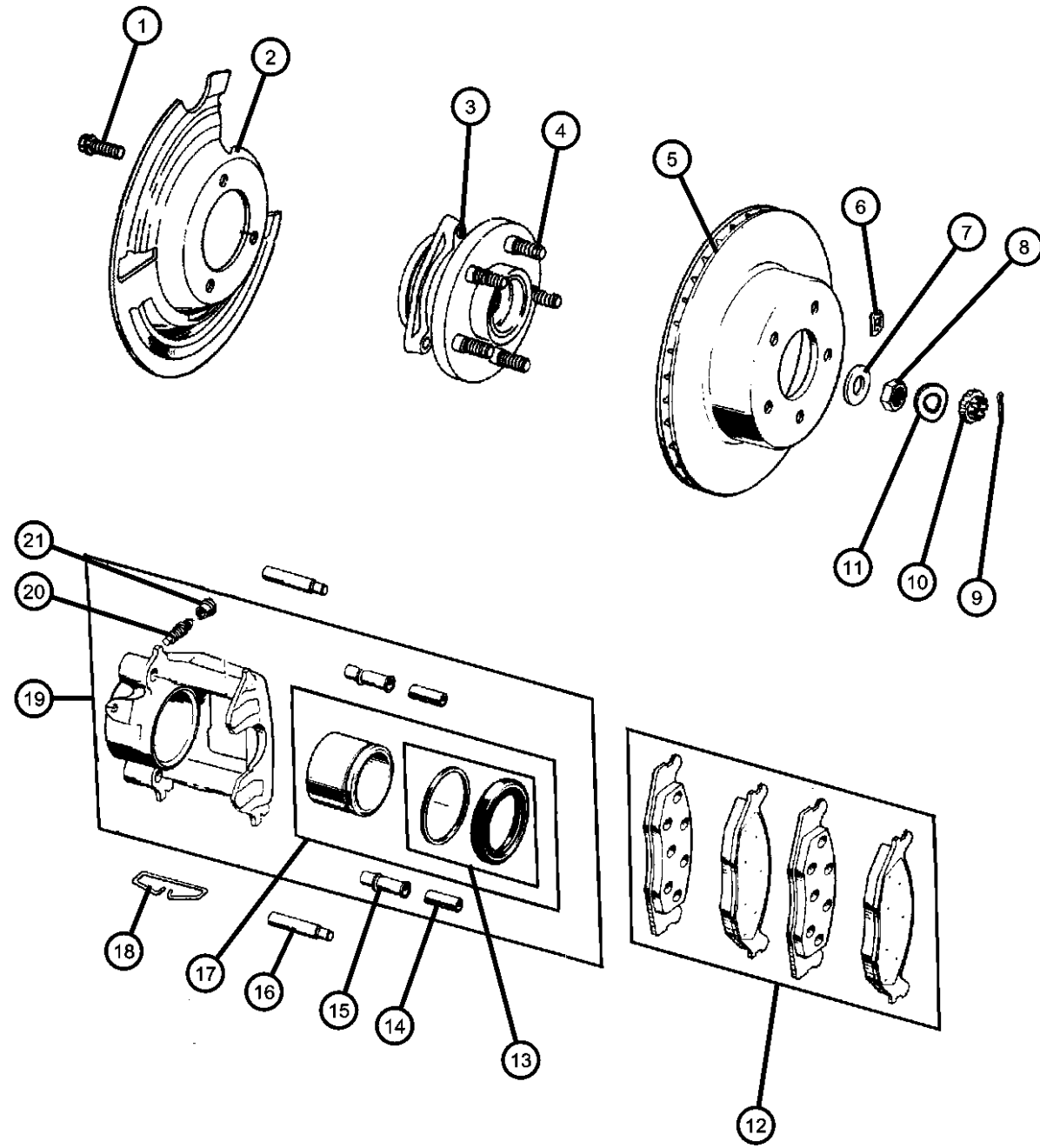
TRANSMISSION
DDD = TRANSMISSION - 5-SPEED
HD MANUAL
DDQ = TRANSMISSION - 5-SPEED
MANUAL
DGD = TRANSMISSION - 3-SPD.
AUTOMATIC,30RH
DGK = TRANSMISSION - 4-SPD.
AUTOMATIC,42RE
DGS = TRANSMISSION-4SPD.
AUTO,AISIN WARNER
DGT = TRANSMISSION - 4-SPD.
AUTOMATIC,46RE
DGW = TRANSMISSION - 4-SPD.
AUTOMATIC,44RE
DGX = TRANSMISSION - 4-SPEED
AUTOMATIC
DBB = ALL MANUAL
TRANSMISSIONS
DGO = ALL AUTOMATIC
TRANSMISSIONS

AR = use ase required - = Non illustrated part

2000 XJ

Brakes,Front
Figure 5-110

ITEM	PART NUMBER	QTY	LINE	SERIES	BODY	ENGINE	TRANS	TRIM	DESCRIPTION
------	-------------	-----	------	--------	------	--------	-------	------	-------------



	J3203313	1	B		74				
		1	U						
		1	J						
		1	T						
21									CAP, Bleeder
	04238717	1	J						
		1	T						
		1	U						
		1	B		74				

CHEROKEE (XJ)

SERIES	LINE
H = Sport	T = JEEP - 2WD
L = SE	B = JEEP - 2WD (RHD)
P = Classic	J = JEEP - 4WD
S = Limited	U = JEEP - 4WD (RHD)

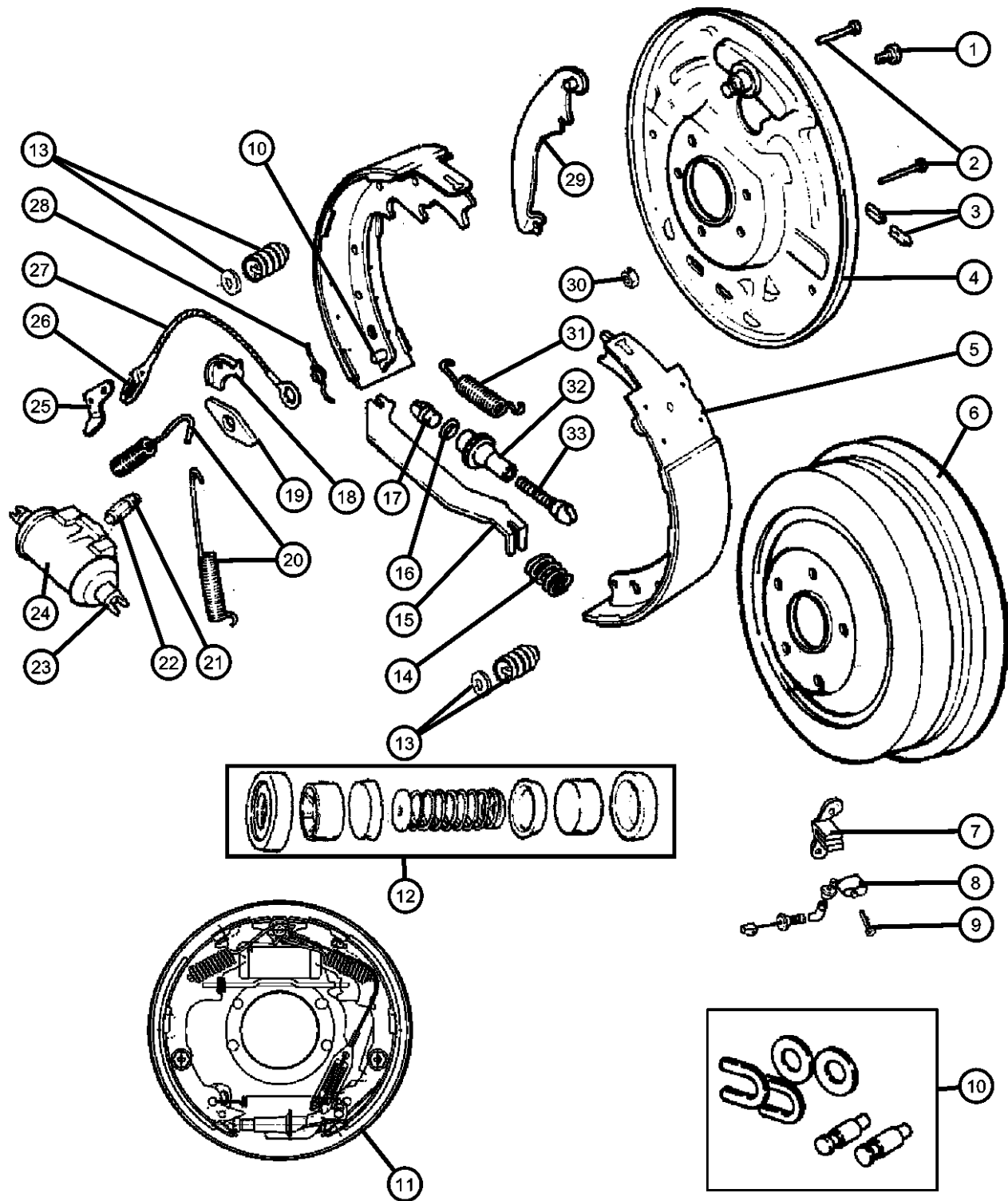
BODY
74 = 4 Dr (101.4WB)
72 = 2 Dr (101.4WB)

ENGINE	TRANSMISSION
ENC = ENGINE - 2.5L 4 CYL TURBO DIESEL	DDD = TRANSMISSION - 5-SPEED HD MANUAL
EPE = ENGINE - 2.5L POWER TECH I-4 Cyl.	DDQ = TRANSMISSION - 5-SPEED MANUAL
ERH = ENGINE - 4.0L POWER TECH I-6	DGD = TRANSMISSION - 3-SPD. AUTOMATIC,30RH
	DGK = TRANSMISSION - 4-SPD. AUTOMATIC,42RE
	DGS = TRANSMISSION-4SPD. AUTO,AISIN WARNER
	DGT = TRANSMISSION - 4-SPD. AUTOMATIC,46RE
	DGW = TRANSMISSION - 4-SPD. AUTOMATIC,44RE
	DGX = TRANSMISSION - 4-SPEED AUTOMATIC
	DBB = ALL MANUAL TRANSMISSIONS
	DGO = ALL AUTOMATIC TRANSMISSIONS

AR = use ase required - = Non illustrated part

2000 XJ

**Brakes,Rear,9 Inches X 2.5 Inches
Figure 5-210**



ITEM	PART NUMBER	QTY	LINE	SERIES	BODY	ENGINE	TRANS	TRIM	DESCRIPTION
------	-------------	-----	------	--------	------	--------	-------	------	-------------

Note:Sales Codes;
[BGA]=Brakes,- Power Front Disc/Rear Drum
[BGK]=Brakes - 4-Wheel Antilock

1	06028921	2							BOLT, Hex Head, Wheel Cylinder, Mounting
2	02260548	2							PIN, Brake Shoe Hold Down
3	04238721	2							PLUG, Brake Adjusting Hole
4									PLATE, Brake Backing
	04856718	1							[BGK], Right
	04856719	1							[BGK], Left
	05017760AA	1							[BGA], Right
	05017761AA	1							[BGA], Left
5									SHOE AND LINING KIT, Drum
	04723367	1							Up to 03-09-00
	BHKH7265								Mopar V-Line Alternative Part All In One Drum Combi Kits
	BHKH2526								Mopar V-Line Alternative Part Drum Self Adjuster Kit Left
	BHKH2527								Mopar V-Line Alternative Part Drum Self Adjuster Kit
	V2010367AB								Mopar V-Line Alternative Part
	05019536AA	1							From 03-10-00
	BHKH7265								Mopar V-Line Alternative Part All In One Drum Combi Kits
	BHKH2626								Mopar V-Line Alternative Part Drum Self Adjuster Kit Left
	BHKH2627								Mopar V-Line Alternative Part Drum Self Adjuster Kit
	V2010367AB								Mopar V-Line Alternative Part
6	52005350	2							DRUM, Brake

CHEROKEE (XJ)

SERIES	LINE
H = Sport	T = JEEP - 2WD
L = SE	B = JEEP - 2WD (RHD)
P = Classic	J = JEEP - 4WD
S = Limited	U = JEEP - 4WD (RHD)

BODY
74 = 4 Dr (101.4WB)
72 = 2 Dr (101.4WB)

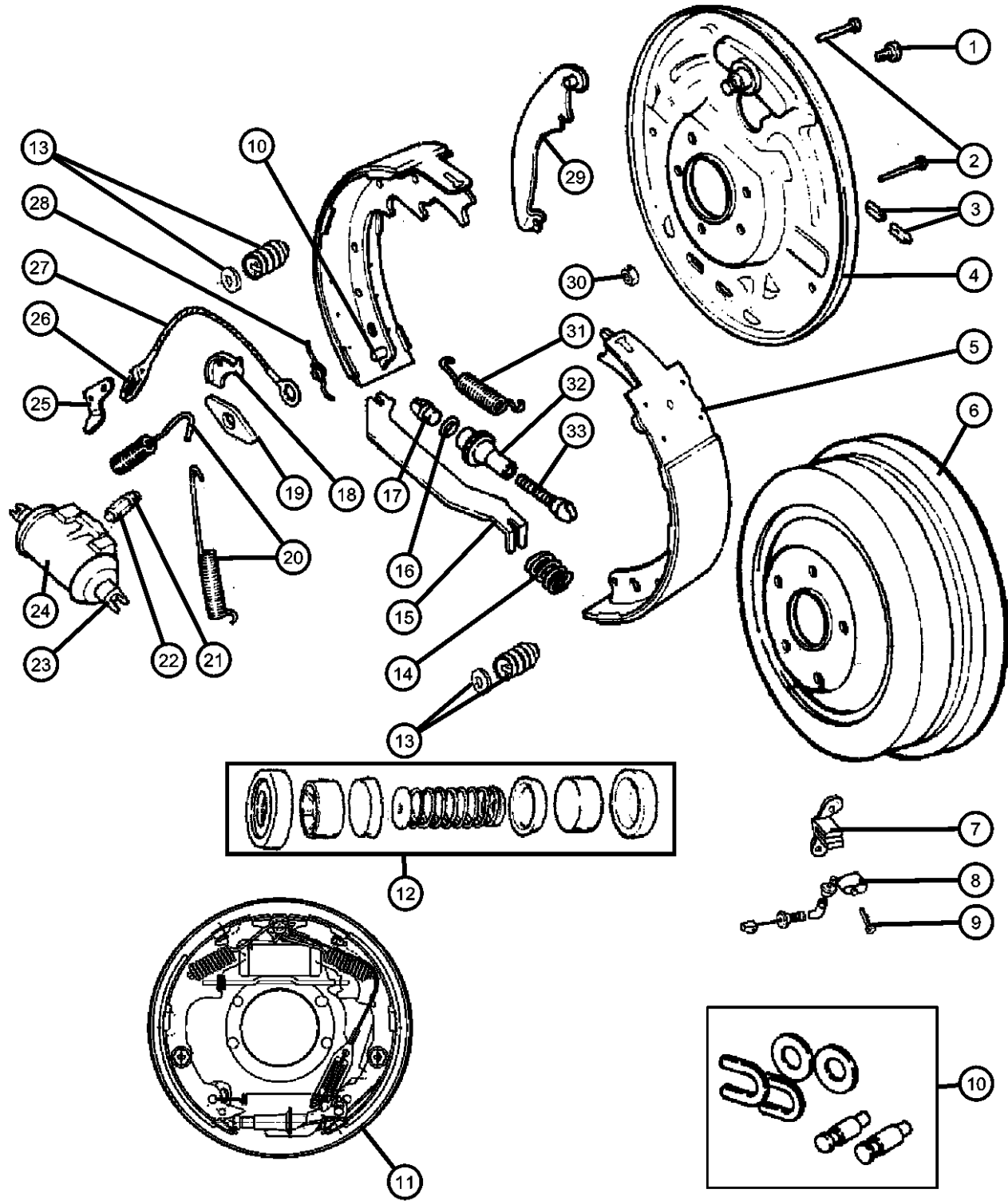
ENGINE
ENC = ENGINE - 2.5L 4 CYL TURBO DIESEL
EPE = ENGINE - 2.5L POWER TECH I-4 Cyl.
ERH = ENGINE - 4.0L POWER TECH I-6

TRANSMISSION
DDD = TRANSMISSION - 5-SPEED HD MANUAL
DDQ = TRANSMISSION - 5-SPEED MANUAL
DGD = TRANSMISSION - 3-SPD. AUTOMATIC,30RH
DGK = TRANSMISSION - 4-SPD. AUTOMATIC,42RE
DGS = TRANSMISSION-4SPD. AUTO,AISIN WARNER
DGT = TRANSMISSION - 4-SPD. AUTOMATIC,46RE
DGW = TRANSMISSION - 4-SPD. AUTOMATIC,44RE
DGX = TRANSMISSION - 4-SPEED AUTOMATIC
DBB = ALL MANUAL TRANSMISSIONS
DGO = ALL AUTOMATIC TRANSMISSIONS

AR = use ase required - = Non illustrated part

2000 XJ

**Brakes,Rear,9 Inches X 2.5 Inches
Figure 5-210**



ITEM	PART NUMBER	QTY	LINE	SERIES	BODY	ENGINE	TRANS	TRIM	DESCRIPTION
7	52007804	1							BRACKET, Brake Sensor Right
	52007805	1							Left
8	52005932	1							SENSOR, Anti-Lock Brakes Right
	52005933	1							Left
9	83504920	1							BOLT, ABS Sensor, Mounting
10	04049681	1							HARDWARE PACKAGE, Rear Brake
11	52008664AC	1							BRAKE ASSEMBLY, Rear Drum [BGA] Complete Less Drum, Right
	52008665AC	1							[BGA] Complete Less Drum, Left
	52008666AC	1							[BGK] Complete Less Drum, Right
	52008667AC	1							[BGK] Complete Less Drum, Left
12	05252630	1							REPAIR KIT, Wheel Cylinder Up to 03-09-00
	05252631	1							From 03-10-00
13	04313062	2							SPRING, Brake Shoe Hold Down
14	04713590	1							STRUT, Parking Brake
15	06027559	1							WASHER, Adjuster Button
16	02944586	1							BUTTON, Rear Brake Auto Adjust
17	02260793	1							GUIDE, Brake Adjusting Cable
18	04313075	1							PLATE, Brake Shoe Guide
19	02881676	2							SPRING, Brake Shoe Return

CHEROKEE (XJ)

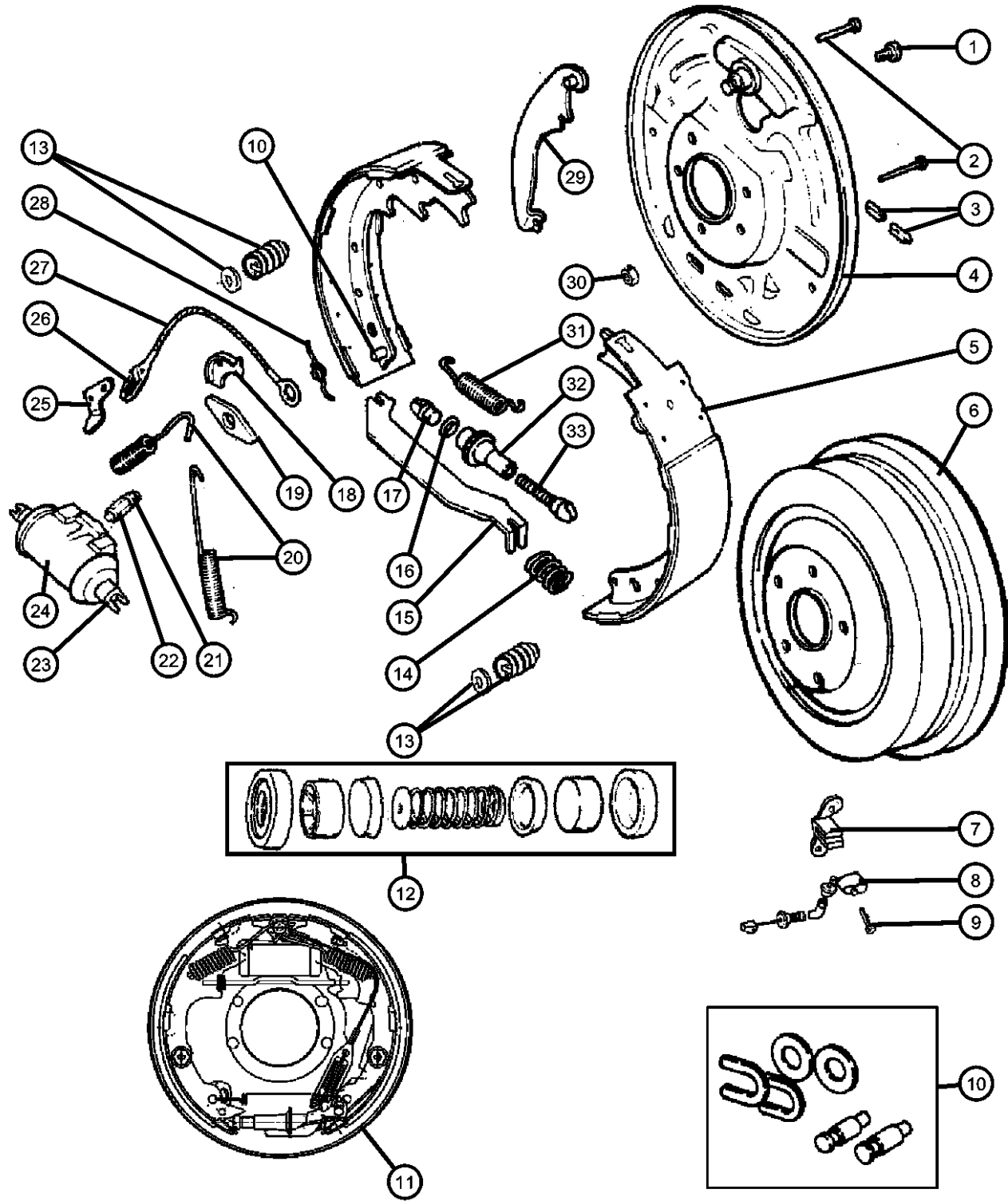
SERIES	LINE
H = Sport	T = JEEP - 2WD
L = SE	B = JEEP - 2WD (RHD)
P = Classic	J = JEEP - 4WD
S = Limited	U = JEEP - 4WD (RHD)

BODY
74 = 4 Dr (101.4WB)
72 = 2 Dr (101.4WB)

ENGINE	TRANSMISSION
ENC = ENGINE - 2.5L 4 CYL TURBO DIESEL	DDD = TRANSMISSION - 5-SPEED HD MANUAL
EPE = ENGINE - 2.5L POWER TECH I-4 Cyl.	DDQ = TRANSMISSION - 5-SPEED MANUAL
ERH = ENGINE - 4.0L POWER TECH I-6	DGD = TRANSMISSION - 3-SPD. AUTOMATIC,30RH
	DGK = TRANSMISSION - 4-SPD. AUTOMATIC,42RE
	DGS = TRANSMISSION-4SPD. AUTO,AISIN WARNER
	DGT = TRANSMISSION - 4-SPD. AUTOMATIC,46RE
	DGW = TRANSMISSION - 4-SPD. AUTOMATIC,44RE
	DGX = TRANSMISSION - 4-SPEED AUTOMATIC
	DBB = ALL MANUAL TRANSMISSIONS
	DGO = ALL AUTOMATIC TRANSMISSIONS

AR = use ase required - = Non illustrated part

Brakes,Rear,9 Inches X 2.5 Inches
Figure 5-210



ITEM	PART NUMBER	QTY	LINE	SERIES	BODY	ENGINE	TRANS	TRIM	DESCRIPTION
20	04238717	1							CAP, Bleeder
21	03766674	1							BLEEDER SCREW, Brake
22	03766674	1							LINK, Brake, Purchase Wheel Cylinder, (NOT SERVICED)
23									CYLINDER, Wheel
	04313056	1							From 03-10-00
	04423601	1							Up to 03-09-00
24	04761759	1							LEVER, Park Brake Adjusting
25	03461660	1							SPRING, Adjuster Cable
26	03461662	1							CABLE, Brake Automatic Adjuster
27									SPRING, Brake Auto Adjuster Lever
	02944580	1							Right
	02944581	1							Left
28									LEVER, Park Brake
	04313810	1							Right
	04313811	1							Left
29	00152345	8							NUT, Backing Plate to Axle Housing, Mounting
30	04423085	1							SPRING, Brake Shoe to Shoe
31									NUT, Rear Brake Auto Adjust Pivot
	02944692	1							Right
	02944693	1							Left
32									SCREW, Brake Adjusting
	04423898	1							Right
	04423899	1							Left

CHEROKEE (XJ)

SERIES	LINE
H = Sport	T = JEEP - 2WD
L = SE	B = JEEP - 2WD (RHD)
P = Classic	J = JEEP - 4WD
S = Limited	U = JEEP - 4WD (RHD)

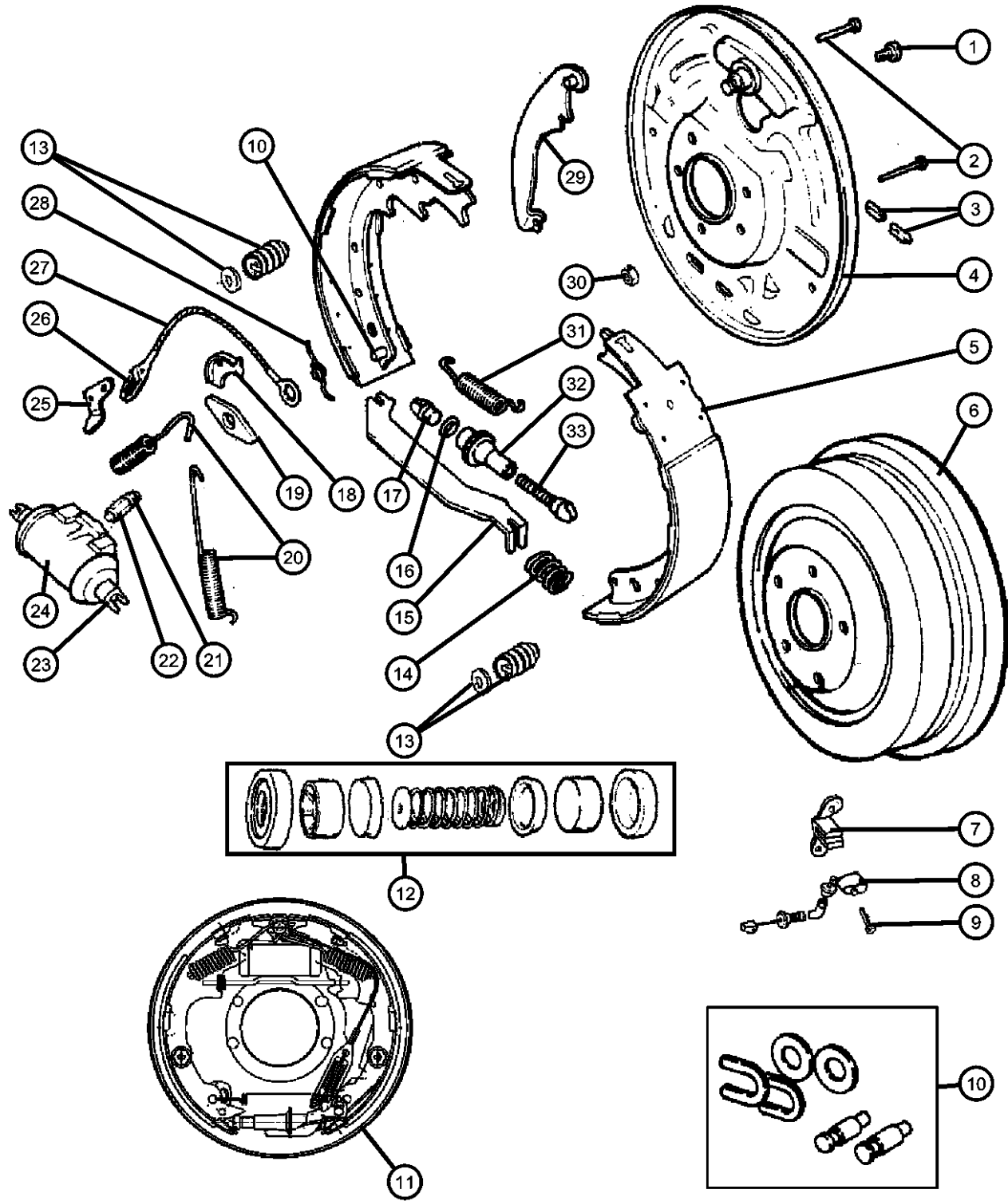
BODY
74 = 4 Dr (101.4WB)
72 = 2 Dr (101.4WB)

ENGINE
ENC = ENGINE - 2.5L 4 CYL TURBO DIESEL
EPE = ENGINE - 2.5L POWER TECH I-4 Cyl.
ERH = ENGINE - 4.0L POWER TECH I-6

TRANSMISSION
DDD = TRANSMISSION - 5-SPEED HD MANUAL
DDQ = TRANSMISSION - 5-SPEED MANUAL
DGD = TRANSMISSION - 3-SPD. AUTOMATIC,30RH
DGK = TRANSMISSION - 4-SPD. AUTOMATIC,42RE
DGS = TRANSMISSION-4SPD. AUTO,AISIN WARNER
DGT = TRANSMISSION - 4-SPD. AUTOMATIC,46RE
DGW = TRANSMISSION - 4-SPD. AUTOMATIC,44RE
DGX = TRANSMISSION - 4-SPEED AUTOMATIC
DBB = ALL MANUAL TRANSMISSIONS
DGO = ALL AUTOMATIC TRANSMISSIONS

AR = use ase required - = Non illustrated part

Brakes,Rear,9 Inches X 2.5 Inches
Figure 5-210



ITEM	PART NUMBER	QTY	LINE	SERIES	BODY	ENGINE	TRANS	TRIM	DESCRIPTION
------	-------------	-----	------	--------	------	--------	-------	------	-------------

-33									SCREW, Brake Adjusting
	04423900	1							Includes 16,17,32,33, Right
	04423901	1							Includes 16,17,32,33, Left

CHEROKEE (XJ)

SERIES	LINE
H = Sport	T = JEEP - 2WD
L = SE	B = JEEP - 2WD (RHD)
P = Classic	J = JEEP - 4WD
S = Limited	U = JEEP - 4WD (RHD)

BODY
74 = 4 Dr (101.4WB)
72 = 2 Dr (101.4WB)

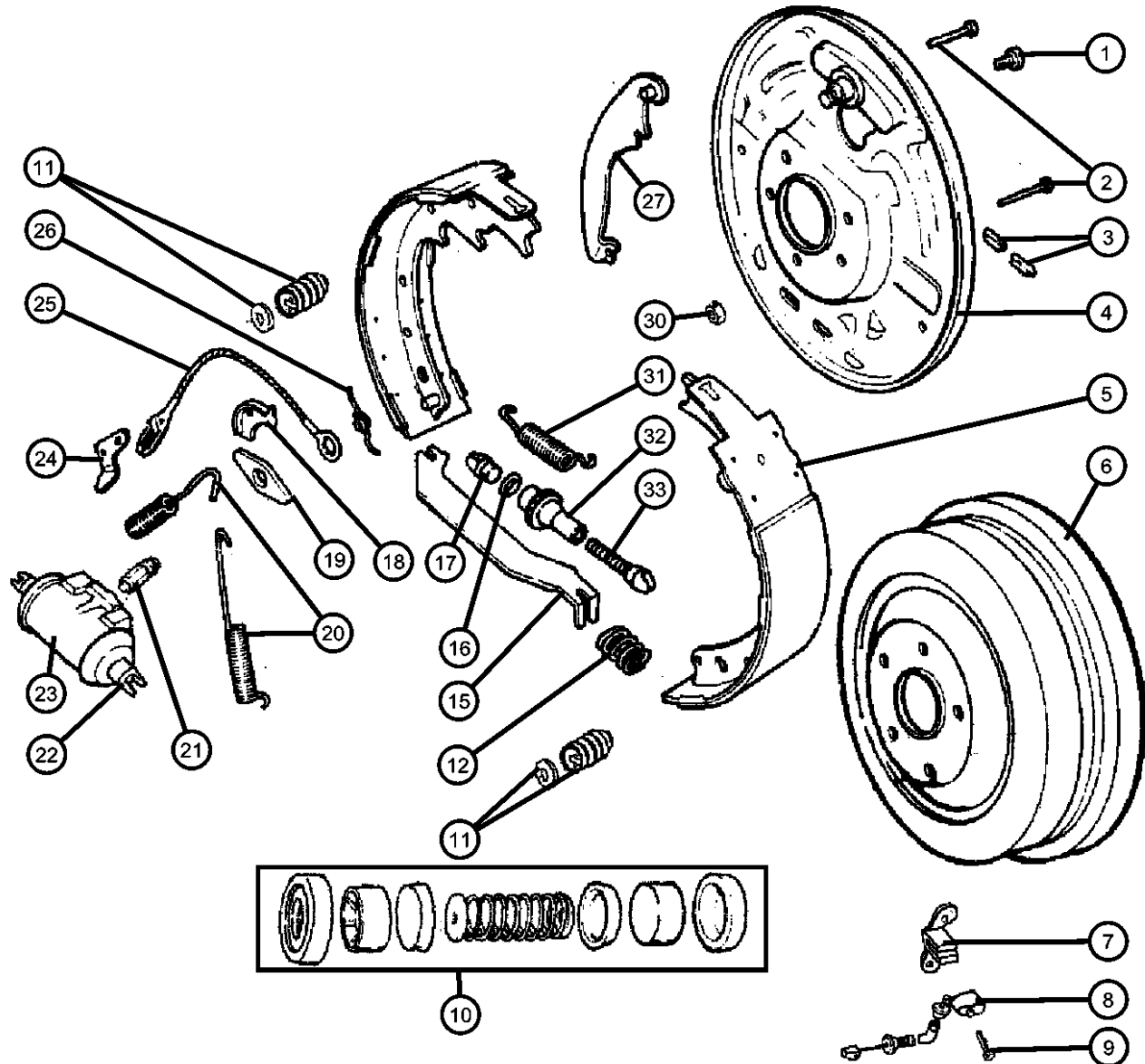
ENGINE
ENC = ENGINE - 2.5L 4 CYL TURBO DIESEL
EPE = ENGINE - 2.5L POWER TECH I-4 Cyl.
ERH = ENGINE - 4.0L POWER TECH I-6

TRANSMISSION
DDD = TRANSMISSION - 5-SPEED HD MANUAL
DDQ = TRANSMISSION - 5-SPEED MANUAL
DGD = TRANSMISSION - 3-SPD. AUTOMATIC,30RH
DGK = TRANSMISSION - 4-SPD. AUTOMATIC,42RE
DGS = TRANSMISSION-4SPD. AUTO,AISIN WARNER
DGT = TRANSMISSION - 4-SPD. AUTOMATIC,46RE
DGW = TRANSMISSION - 4-SPD. AUTOMATIC,44RE
DGX = TRANSMISSION - 4-SPEED AUTOMATIC
DBB = ALL MANUAL TRANSMISSIONS
DGO = ALL AUTOMATIC TRANSMISSIONS

AR = use ase required - = Non illustrated part

2000 XJ

**Brakes,Rear,10 Inches X 1 3/4 Inches,[AHB]
Figure 5-220**



ITEM	PART NUMBER	QTY	LINE	SERIES	BODY	ENGINE	TRANS	TRIM	DESCRIPTION
------	-------------	-----	------	--------	------	--------	-------	------	-------------

Note:Sales Codes;
[AHB]=Police Group
[BGA]=Brakes,- Power Front Disc/Rear Drum
[BGK]=Brakes - 4-Wheel Antilock

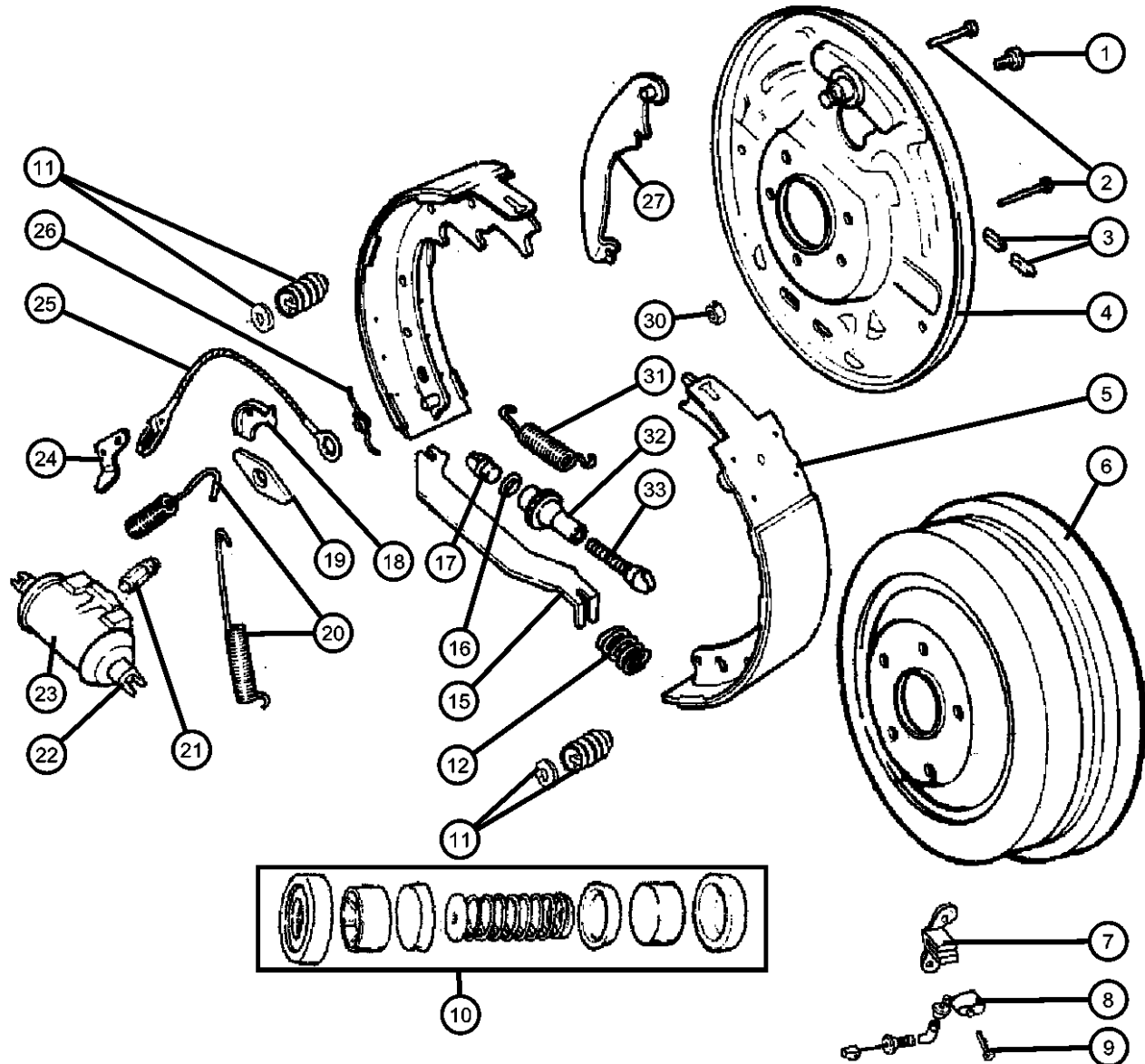
1	06028921	2							BOLT, Hex Head, Wheel Cylinder, Mounting
2	04746783	2							PIN, Brake Shoe Hold Down
3	32000147	2							PLUG, Brake Adjusting Hole
4									PLATE, Brake Backing
	04773490	1							Right
	04773491	1							Left
5	04796310	1							SHOE AND LINING KIT, Drum
	BHKH7289								Mopar V-Line Alternative Part All In One Drum Combi Kits
	BHKH2656								Mopar V-Line Alternative Part Drum Self Adjuster Kit Left
	BHKH2657								Mopar V-Line Alternative Part Drum Self Adjuster Kit
	V2012310AB								Mopar V-Line Alternative Part
6	52007502	2							DRUM, Brake
7									BRACKET, Brake Sensor
	52007804	1							Right
	52007805	1							Left
8									SENSOR, Anti-Lock Brakes
	52005932	1							Right
	52005933	1							Left
9	83504920	2							BOLT, ABS Sensor, Mounting
10	83500987	1							REPAIR KIT, Wheel Cylinder
11	04746782	2							SPRING, Brake Shoe Hold Down

CHEROKEE (XJ)

SERIES	LINE	BODY	ENGINE	TRANSMISSION
H = Sport	T = JEEP - 2WD	74 = 4 Dr (101.4WB)	ENC = ENGINE - 2.5L 4 CYL TURBO DIESEL	DDD = TRANSMISSION - 5-SPEED HD MANUAL
L = SE	B = JEEP - 2WD (RHD)	72 = 2 Dr (101.4WB)	EPE = ENGINE - 2.5L POWER TECH I-4 Cyl.	DDQ = TRANSMISSION - 5-SPEED MANUAL
P = Classic	J = JEEP - 4WD		ERH = ENGINE - 4.0L POWER TECH I-6	DGD = TRANSMISSION - 3-SPD. AUTOMATIC,30RH
S = Limited	U = JEEP - 4WD (RHD)			DGK = TRANSMISSION - 4-SPD. AUTOMATIC,42RE
				DGS = TRANSMISSION-4SPD. AUTO,AISIN WARNER
				DGT = TRANSMISSION - 4-SPD. AUTOMATIC,46RE
				DGW = TRANSMISSION - 4-SPD. AUTOMATIC,44RE
				DGX = TRANSMISSION - 4-SPEED AUTOMATIC
				DBB = ALL MANUAL TRANSMISSIONS
				DGO = ALL AUTOMATIC TRANSMISSIONS

AR = use ase required - = Non illustrated part

Brakes,Rear,10 Inches X 1 3/4 Inches,[AHB]
Figure 5-220



ITEM	PART NUMBER	QTY	LINE	SERIES	BODY	ENGINE	TRANS	TRIM	DESCRIPTION
12	83504918	2							SPRING, Parking Brake Strut
-13	04713364	1							WASHER, Parking Brake Strut, Mounting
-14	04773762	1							CLIP, Park Brake StrutMounting
15									STRUT, Parking Brake
	04713366	1							Right
	04713367	1							Left
16	04746585	1							WASHER, Rear Brake Adjuster
17	04746586	1							SOCKET, Brake Adjusting
18	J3201947	1							GUIDE, Brake Adjusting Cable
19	02260788	1							PLATE, Brake Shoe Guide
20	J3112780	2							SPRING, Brake Shoe Return
21	J3203313	1							SCREW, Bleeder
22	J0048331	2							LINK, Brake Cylinder
23									CYLINDER, Wheel
	52000848	1							Right
	52000849	1							Left
24									LEVER, Park Brake Adjusting
	04728546	1							Right
	04728547	1							Left
25	04713350	1							CABLE, Brake Automatic Adjuster
26									SPRING, Auto Adjusting
	04746582	1							Right
	04746583	1							Left
27									LEVER, Park Brake

CHEROKEE (XJ)

SERIES	LINE
H = Sport	T = JEEP - 2WD
L = SE	B = JEEP - 2WD (RHD)
P = Classic	J = JEEP - 4WD
S = Limited	U = JEEP - 4WD (RHD)

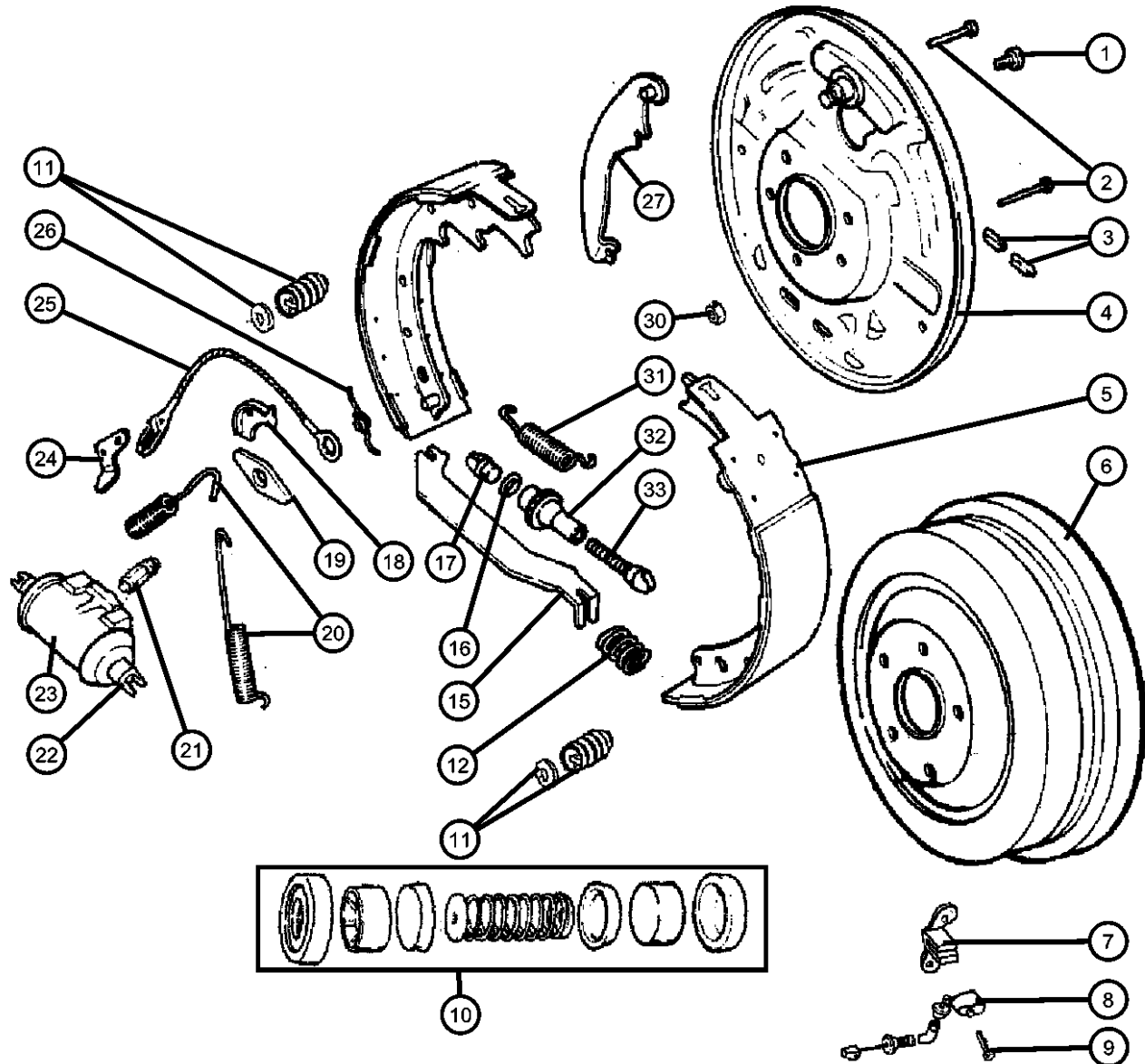
BODY
74 = 4 Dr (101.4WB)
72 = 2 Dr (101.4WB)

ENGINE
ENC = ENGINE - 2.5L 4 CYL TURBO DIESEL
EPE = ENGINE - 2.5L POWER TECH I-4 Cyl.
ERH = ENGINE - 4.0L POWER TECH I-6

TRANSMISSION
DDD = TRANSMISSION - 5-SPEED HD MANUAL
DDQ = TRANSMISSION - 5-SPEED MANUAL
DGD = TRANSMISSION - 3-SPD. AUTOMATIC,30RH
DGK = TRANSMISSION - 4-SPD. AUTOMATIC,42RE
DGS = TRANSMISSION-4SPD. AUTO,AISIN WARNER
DGT = TRANSMISSION - 4-SPD. AUTOMATIC,46RE
DGW = TRANSMISSION - 4-SPD. AUTOMATIC,44RE
DGX = TRANSMISSION - 4-SPEED AUTOMATIC
DBB = ALL MANUAL TRANSMISSIONS
DGO = ALL AUTOMATIC TRANSMISSIONS

AR = use ase required - = Non illustrated part

Brakes,Rear,10 Inches X 1 3/4 Inches,[AHB]
Figure 5-220

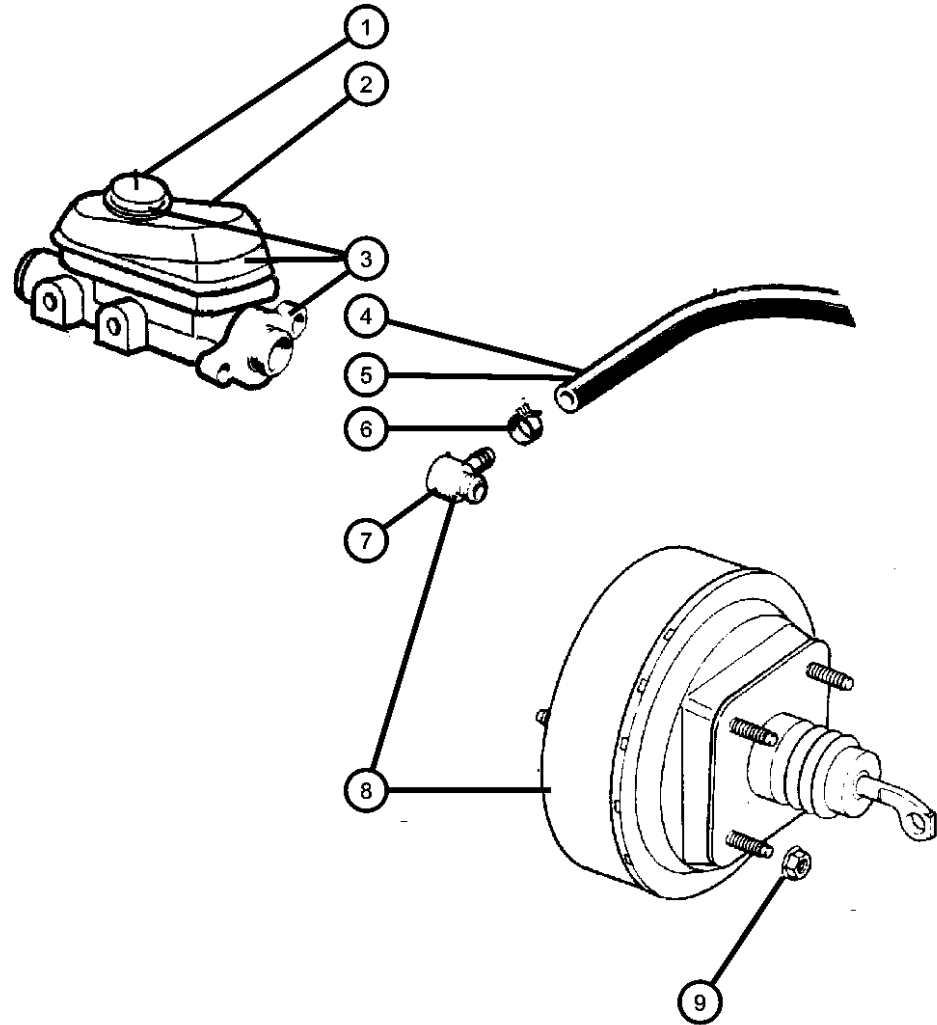


ITEM	PART NUMBER	QTY	LINE	SERIES	BODY	ENGINE	TRANS	TRIM	DESCRIPTION
	04713362	1							Right
	04713363	1							Left
-28	83502900	1							WASHER, Parking Brake LeverMounting
-29	J3108202	1							RETAINER, Parking Brake LeverMounting
30	J9411783	8							NUT, Backing Plate to Axle Housing, Mounting
31	04746588	1							SPRING, Brake Shoe to Shoe
32	02944692	1							NUT, Rear Brake Auto Adjust Pivot
	02944693	1							Right
	02944693	1							Left
33	02881686	1							SCREW, Brake Adjusting
	02881686	1							Right
	02881687	1							Left

CHEROKEE (XJ)				
SERIES	LINE	BODY	ENGINE	TRANSMISSION
H = Sport	T = JEEP - 2WD	74 = 4 Dr (101.4WB)	ENC = ENGINE - 2.5L 4 CYL TURBO DIESEL	DDD = TRANSMISSION - 5-SPEED HD MANUAL
L = SE	B = JEEP - 2WD (RHD)	72 = 2 Dr (101.4WB)	EPE = ENGINE - 2.5L POWER TECH I-4 Cyl.	DDQ = TRANSMISSION - 5-SPEED MANUAL
P = Classic	J = JEEP - 4WD		ERH = ENGINE - 4.0L POWER TECH I-6	DGD = TRANSMISSION - 3-SPD. AUTOMATIC,30RH
S = Limited	U = JEEP - 4WD (RHD)			DGK = TRANSMISSION - 4-SPD. AUTOMATIC,42RE
				DGS = TRANSMISSION-4SPD. AUTO,AISIN WARNER
				DGT = TRANSMISSION - 4-SPD. AUTOMATIC,46RE
				DGW = TRANSMISSION - 4-SPD. AUTOMATIC,44RE
				DGX = TRANSMISSION - 4-SPEED AUTOMATIC
				DBB = ALL MANUAL TRANSMISSIONS
				DGO = ALL AUTOMATIC TRANSMISSIONS

AR = use ase required - = Non illustrated part

**Master Cylinder and Booster
Figure 5-310**



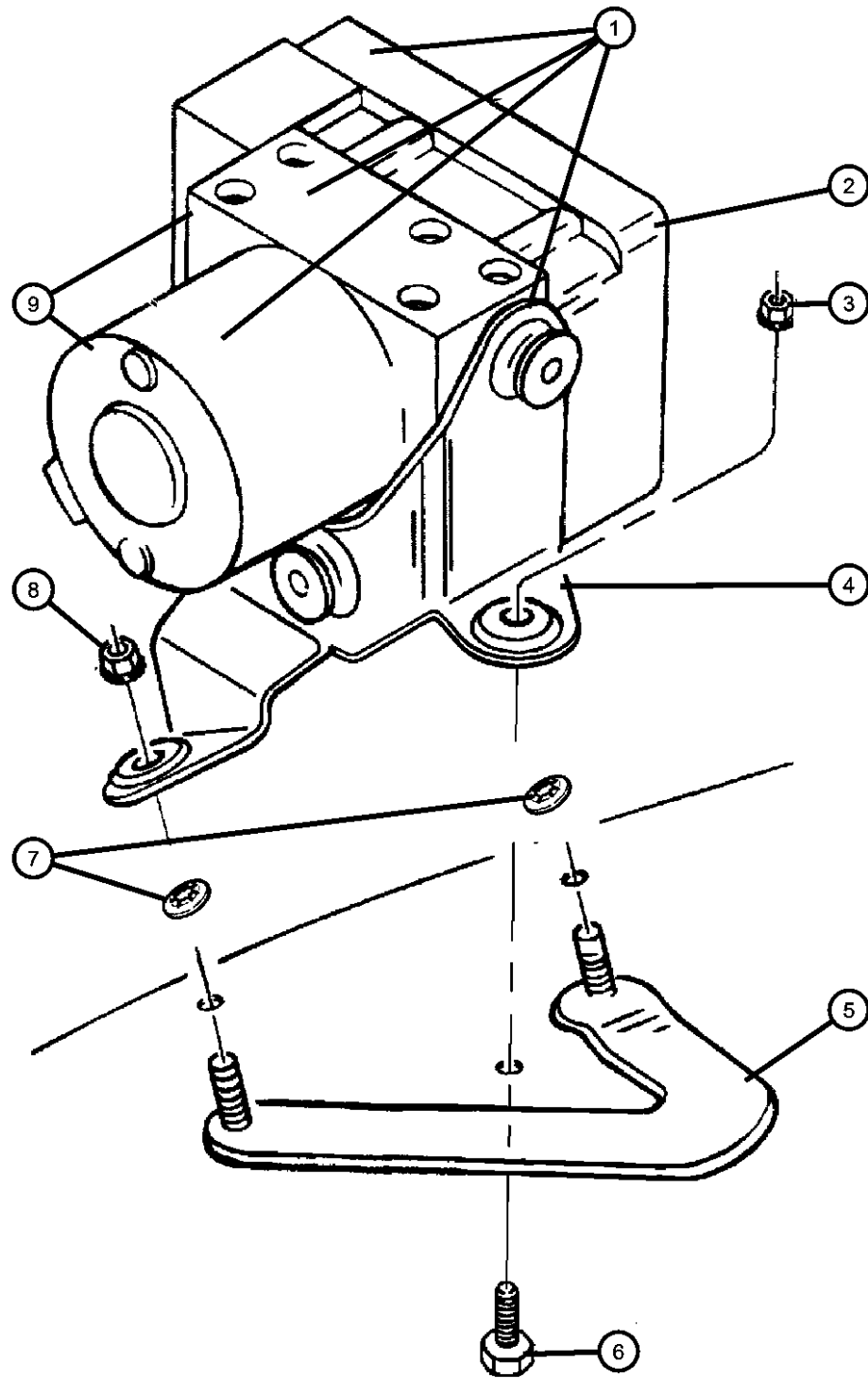
ITEM	PART NUMBER	QTY	LINE	SERIES	BODY	ENGINE	TRANS	TRIM	DESCRIPTION
Note:EP0= 2.5L Gas Engine, ER0= 4.0L Gas Engine, ENC= 2.5L Diesel Engine									
1	04761944	1							CAP, Master Cylinder Reservoir
2	04761942	1							RESERVOIR, Brake Master Cylinder
3	04761941 R4761941	1							MASTER CYLINDER, Brake Mopar Remanufactured Part
4	52008761	1	B, U						HOSE, Vacuum Supply [EP0]
	52009407	1	J, T						[EP0]
	52128003	1	J, T						[ER0,NAC,NA3]
	52128232	1	J, T						[ENC]
	52128290AA	1	B, U						[ER0]
5	03879277	1	J, T						HOSE, Brake Booster, [ER0,NAA,NAE,NAB]
6	02448770	1							CLAMP, Hose, As Required
7									VALVE, Vacuum Check
	04798873	1							[ENC]
	J4487455	1							[EP0,ER0]
8	04856672AB 04856673AB	1 1							BOOSTER, Power Brake [EP0,ER0] [ENC]
9	J4003909	4							NUT, Hex Flange With Serration, Booster to Firewall, Mounting
-10	11502811	1	J, T		72, 74				NUT, Hex Flange Lock, M8x1.25, Master Cylinder to Booster, Mounting

CHEROKEE (XJ)

SERIES	LINE	BODY	ENGINE	TRANSMISSION
H = Sport	T = JEEP - 2WD	74 = 4 Dr (101.4WB)	ENC = ENGINE - 2.5L 4 CYL TURBO DIESEL	DDD = TRANSMISSION - 5-SPEED HD MANUAL
L = SE	B = JEEP - 2WD (RHD)	72 = 2 Dr (101.4WB)	EPE = ENGINE - 2.5L POWER TECH I-4 Cyl.	DDQ = TRANSMISSION - 5-SPEED MANUAL
P = Classic	J = JEEP - 4WD		ERH = ENGINE - 4.0L POWER TECH I-6	DGD = TRANSMISSION - 3-SPD. AUTOMATIC,30RH
S = Limited	U = JEEP - 4WD (RHD)			DGK = TRANSMISSION - 4-SPD. AUTOMATIC,42RE
				DGS = TRANSMISSION-4SPD. AUTO,AISIN WARNER
				DGT = TRANSMISSION - 4-SPD. AUTOMATIC,46RE
				DGW = TRANSMISSION - 4-SPD. AUTOMATIC,44RE
				DGX = TRANSMISSION - 4-SPEED AUTOMATIC
				DBB = ALL MANUAL TRANSMISSIONS
				DGO = ALL AUTOMATIC TRANSMISSIONS

AR = use ase required - = Non illustrated part

**Hydraulic Control Unit
Figure 5-410**



ITEM	PART NUMBER	QTY	LINE	SERIES	BODY	ENGINE	TRANS	TRIM	DESCRIPTION
1	52128138AD	1							CONTROL UNIT, Anti-Lock Brake, Includes 2,4,9
2	56027931AC	1							MODULE, Anti-lock Brakes
3	06503445	1							NUT, HCU to Wheelhouse, Mounting
4	52127929	1							BRACKET, Hydraulic Control Unit
5	52008230	1							STUD PLATE, Hydraulic Control Unit
6	06101453	1							SCREW AND WASHER, Hex Head, M8x1.25x30, HCU to Wheelhouse, Mounting
7	06100841	2							PUSH NUT, M8, Hold Stud Plate to Wheelhouse
8	34201711	2							NUT, Hex Flange, M8x1.25, HCU to Wheelhouse, Mounting
9	52009137	1							CONTROL UNIT, Anti-Lock Brake

CHEROKEE (XJ)

SERIES	LINE
H = Sport	T = JEEP - 2WD
L = SE	B = JEEP - 2WD (RHD)
P = Classic	J = JEEP - 4WD
S = Limited	U = JEEP - 4WD (RHD)

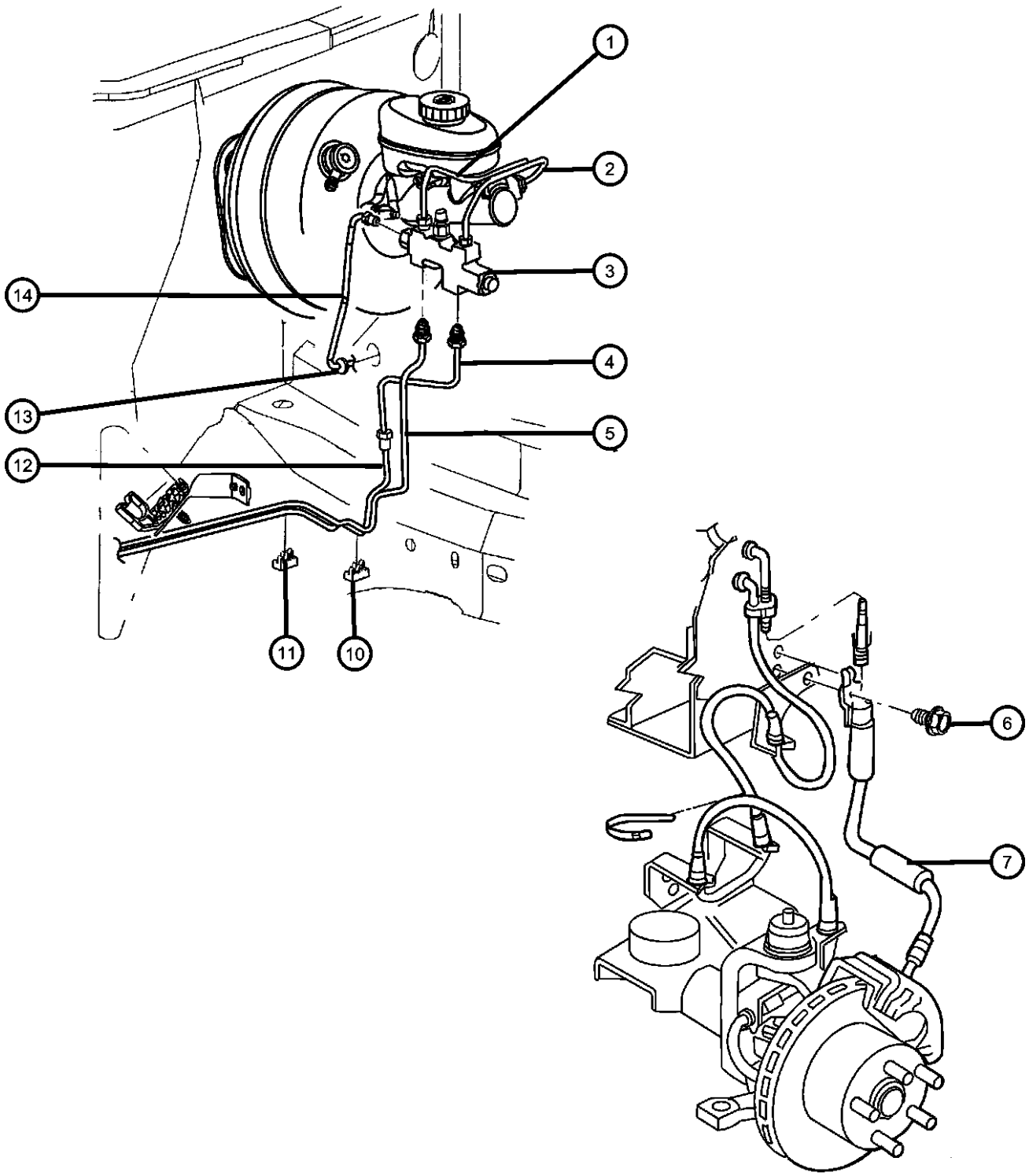
BODY
74 = 4 Dr (101.4WB)
72 = 2 Dr (101.4WB)

ENGINE
ENC = ENGINE - 2.5L 4 CYL TURBO DIESEL
EPE = ENGINE - 2.5L POWER TECH I-4 Cyl.
ERH = ENGINE - 4.0L POWER TECH I-6

TRANSMISSION
DDD = TRANSMISSION - 5-SPEED HD MANUAL
DDQ = TRANSMISSION - 5-SPEED MANUAL
DGD = TRANSMISSION - 3-SPD. AUTOMATIC,30RH
DGK = TRANSMISSION - 4-SPD. AUTOMATIC,42RE
DGS = TRANSMISSION-4SPD. AUTO,AISIN WARNER
DGT = TRANSMISSION - 4-SPD. AUTOMATIC,46RE
DGW = TRANSMISSION - 4-SPD. AUTOMATIC,44RE
DGX = TRANSMISSION - 4-SPEED AUTOMATIC
DBB = ALL MANUAL TRANSMISSIONS
DGO = ALL AUTOMATIC TRANSMISSIONS

AR = use ase required - = Non illustrated part

**Brake Lines,Front,LHD,Without Anti-Lock Brakes
Figure 5-510**



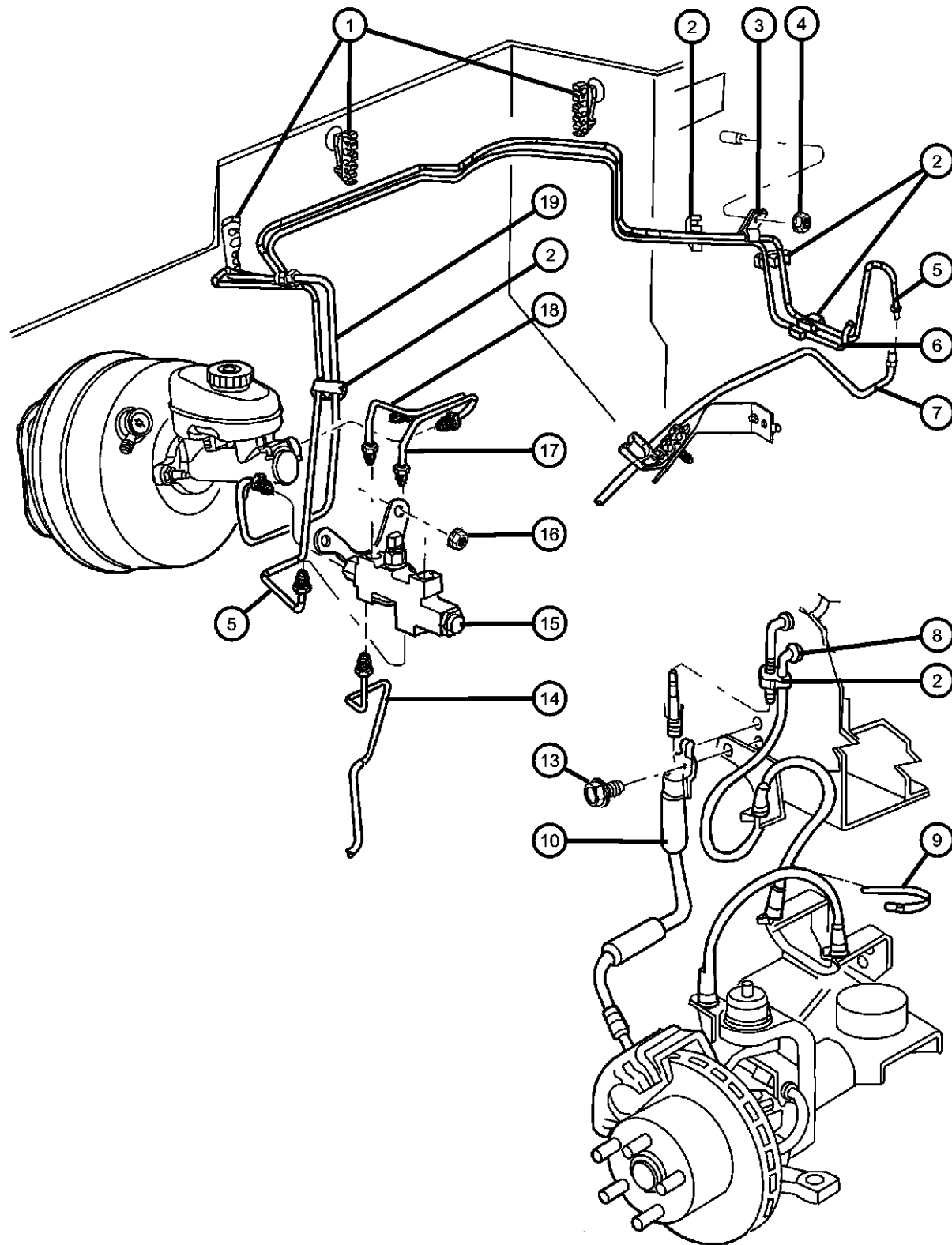
ITEM	PART NUMBER	QTY	LINE	SERIES	BODY	ENGINE	TRANS	TRIM	DESCRIPTION
1	52009069	1							TUBE, Brake, Master Cylinder to Proportioning Valve, Primary
2	52009074	1							TUBE, Brake, Master Cylinder to Proportioning Valve, Secondary
3	52128420AA	1							VALVE, Proportioning
4	52128170	1	J, T						TUBE, Brake, Proportioning Valve to Union
5	52127988AC	1	J, T						TUBE, Brake, Proportioning Valve to Brake Hose, Right
6	06502711	2							BOLT, Brake Hose, Mounting
7									HOSE, Brake
	52008674AC	1							Right
	52008675AC	1							Left
-8	J4006700	2							BOLT, Banjo, Brake Hose to Caliper, Mounting
-9	J3237672	4							GASKET, Brake Hose To CaliperMounting
10	52008940	5	J, T						CLIP, Brake LineMounting
11	34202688	2							CLIP, Latch&LineMounting
12	52127967	1							TUBE, Brake, Union to Brake Hose, Rear
13	J3126237	2							GROMMET, Front Brake TubeMounting
14	52128381	1	J, T						TUBE, Brake, Proportioning Valve to Brake Hose, Left

CHEROKEE (XJ)

SERIES	LINE	BODY	ENGINE	TRANSMISSION
H = Sport	T = JEEP - 2WD	74 = 4 Dr (101.4WB)	ENC = ENGINE - 2.5L 4 CYL TURBO DIESEL	DDD = TRANSMISSION - 5-SPEED HD MANUAL
L = SE	B = JEEP - 2WD (RHD)	72 = 2 Dr (101.4WB)	EPE = ENGINE - 2.5L POWER TECH I-4 Cyl.	DDQ = TRANSMISSION - 5-SPEED MANUAL
P = Classic	J = JEEP - 4WD		ERH = ENGINE - 4.0L POWER TECH I-6	DGD = TRANSMISSION - 3-SPD. AUTOMATIC,30RH
S = Limited	U = JEEP - 4WD (RHD)			DGK = TRANSMISSION - 4-SPD. AUTOMATIC,42RE
				DGS = TRANSMISSION-4SPD. AUTO,AISIN WARNER
				DGT = TRANSMISSION - 4-SPD. AUTOMATIC,46RE
				DGW = TRANSMISSION - 4-SPD. AUTOMATIC,44RE
				DGX = TRANSMISSION - 4-SPEED AUTOMATIC
				DBB = ALL MANUAL TRANSMISSIONS
				DGO = ALL AUTOMATIC TRANSMISSIONS

AR = use ase required - = Non illustrated part

**Brake Lines,Front,RHD,Without Anti-Lock Brakes
Figure 5-520**



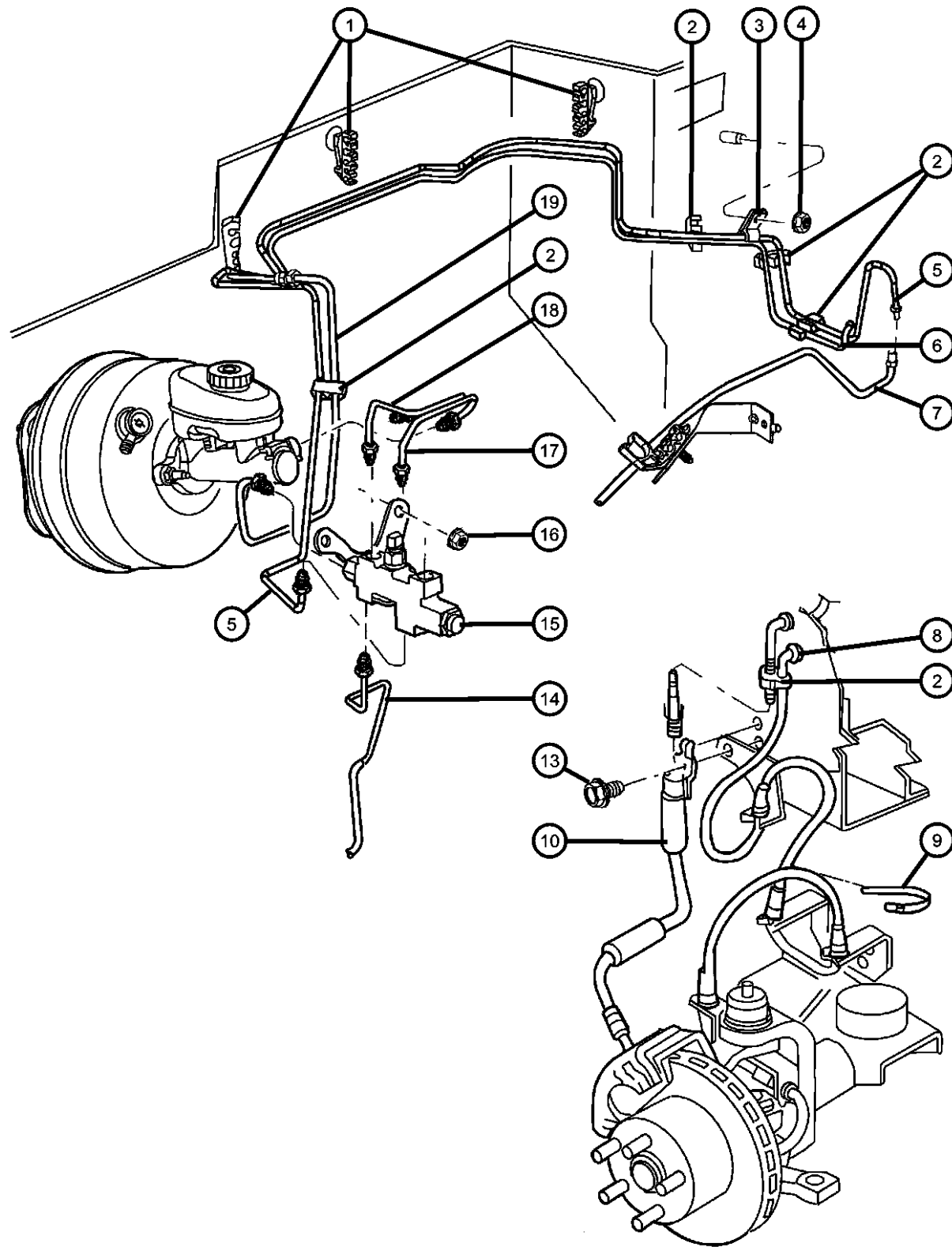
ITEM	PART NUMBER	QTY	LINE	SERIES	BODY	ENGINE	TRANS	TRIM	DESCRIPTION
1	52128060	3	B, U						CLIP, Five Way, 5 Way-Brake Tube to Dash, Mounting
2	52008940	5	B, U						CLIP, Brake Line, 2 Way-As Required
3	52128215	1	B, U						CLIP, Brake Line, Brake Tube to Dash
4	06100840	1	B, U						NUT, Spring
5	52128171AB	1	B, U						TUBE, Brake, Proportioning Valve to Union
6	52128327AA	1	B, U						TUBE, Brake, Union to Brake Hose, Left
7	52127967	1							TUBE, Brake, Union to Brake Hose, Rear
8	J3126237	2							GROMMET, Front Brake Tube, Front Brake Tube to Wheelhouse, Mounting
9	04641780	1							STRAP, Tie
10									HOSE, Brake
	52008674AC	1							Right
	52008675AC	1							Left
-11	J3237672	4							GASKET, Brake Hose To CaliperMounting
-12	J4006700	2							BOLT, Banjo, Brake Hose to Caliper, Mounting
13	06502711	2							BOLT, Brake Hose, Mounting
14	52129084AB	1	B, U						TUBE, Brake, Proportioning Valve to Brake Hose, Right
15	52128420AA	1							VALVE, Proportioning
16	05017194AA	2							NUT, Proportioning Valve, Mounting
17	52009074	1							TUBE, Brake, Master Cylinder to Proportioning Valve, Secondary

CHEROKEE (XJ)

SERIES	LINE	BODY	ENGINE	TRANSMISSION
H = Sport	T = JEEP - 2WD	74 = 4 Dr (101.4WB)	ENC = ENGINE - 2.5L 4 CYL TURBO DIESEL	DDD = TRANSMISSION - 5-SPEED HD MANUAL
L = SE	B = JEEP - 2WD (RHD)	72 = 2 Dr (101.4WB)	EPE = ENGINE - 2.5L POWER TECH I-4 Cyl.	DDQ = TRANSMISSION - 5-SPEED MANUAL
P = Classic	J = JEEP - 4WD		ERH = ENGINE - 4.0L POWER TECH I-6	DGD = TRANSMISSION - 3-SPD. AUTOMATIC,30RH
S = Limited	U = JEEP - 4WD (RHD)			DGK = TRANSMISSION - 4-SPD. AUTOMATIC,42RE
				DGS = TRANSMISSION-4SPD. AUTO,AISIN WARNER
				DGT = TRANSMISSION - 4-SPD. AUTOMATIC,46RE
				DGW = TRANSMISSION - 4-SPD. AUTOMATIC,44RE
				DGX = TRANSMISSION - 4-SPEED AUTOMATIC
				DBB = ALL MANUAL TRANSMISSIONS
				DGO = ALL AUTOMATIC TRANSMISSIONS

AR = use ase required - = Non illustrated part

**Brake Lines,Front,RHD,Without Anti-Lock Brakes
Figure 5-520**



ITEM	PART NUMBER	QTY	LINE	SERIES	BODY	ENGINE	TRANS	TRIM	DESCRIPTION
------	-------------	-----	------	--------	------	--------	-------	------	-------------

18	52009069	1							TUBE, Brake, Master Cylinder to Proportioning Valve, Primary
19	52128321AA	1	B, U						TUBE, Brake, Proportioning Valve to Union

CHEROKEE (XJ)

SERIES	LINE
H = Sport	T = JEEP - 2WD
L = SE	B = JEEP - 2WD (RHD)
P = Classic	J = JEEP - 4WD
S = Limited	U = JEEP - 4WD (RHD)

BODY
74 = 4 Dr (101.4WB)
72 = 2 Dr (101.4WB)

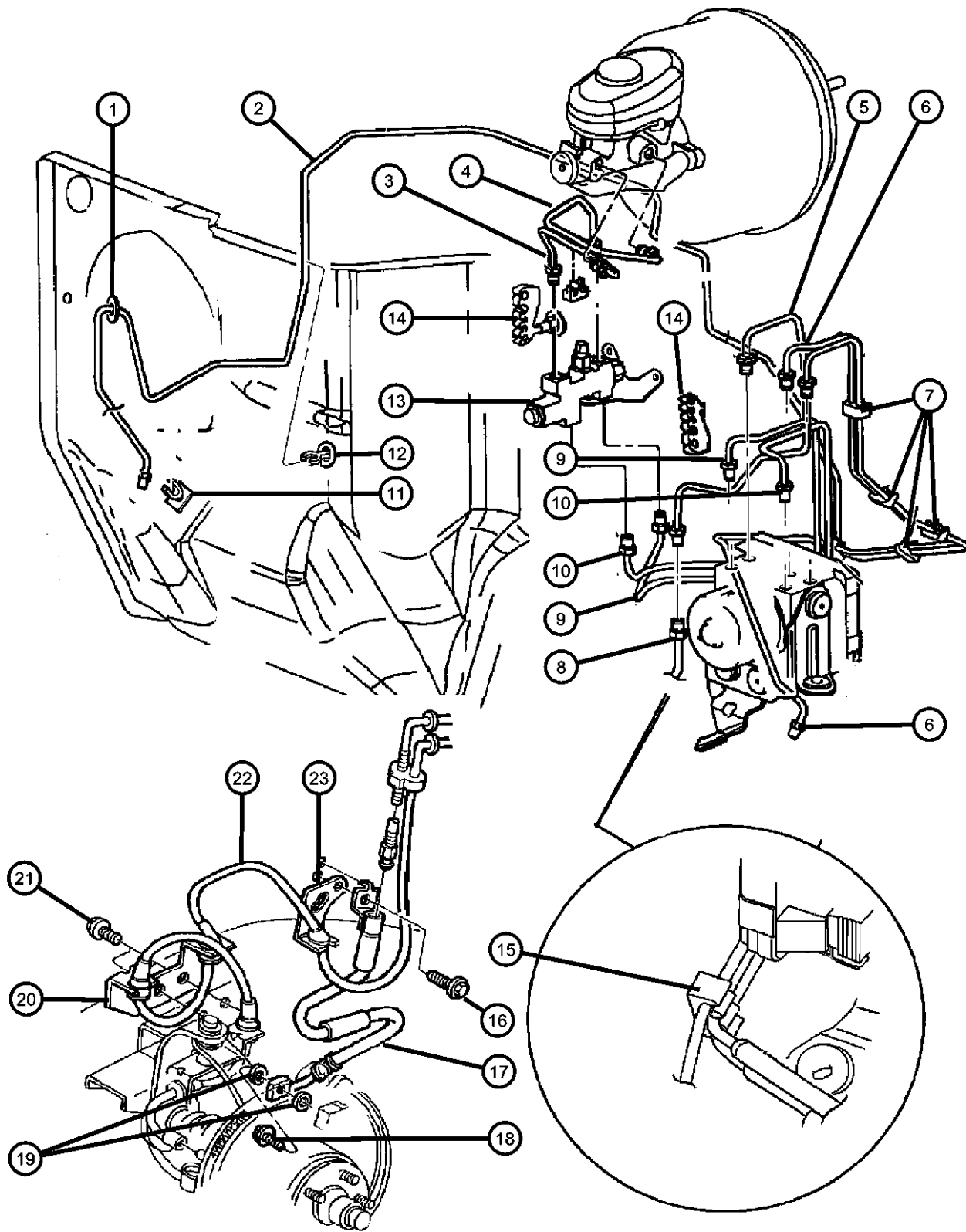
ENGINE
ENC = ENGINE - 2.5L 4 CYL TURBO DIESEL
EPE = ENGINE - 2.5L POWER TECH I-4 Cyl.
ERH = ENGINE - 4.0L POWER TECH I-6

TRANSMISSION
DDD = TRANSMISSION - 5-SPEED HD MANUAL
DDQ = TRANSMISSION - 5-SPEED MANUAL
DGD = TRANSMISSION - 3-SPD. AUTOMATIC,30RH
DGK = TRANSMISSION - 4-SPD. AUTOMATIC,42RE
DGS = TRANSMISSION-4SPD. AUTO,AISIN WARNER
DGT = TRANSMISSION - 4-SPD. AUTOMATIC,46RE
DGW = TRANSMISSION - 4-SPD. AUTOMATIC,44RE
DGX = TRANSMISSION - 4-SPEED AUTOMATIC
DBB = ALL MANUAL TRANSMISSIONS
DGO = ALL AUTOMATIC TRANSMISSIONS

AR = use ase required - = Non illustrated part

2000 XJ

**Brake Lines,Front,LHD,RHD,With Anti-Lock Brakes
Figure 5-530**



ITEM	PART NUMBER	QTY	LINE	SERIES	BODY	ENGINE	TRANS	TRIM	DESCRIPTION
1	52127966	1							CLIP, Brake LineMounting
2									TUBE, Brake
	52009072AB	1	J, T						HCU to Brake Hose, Right
	52009078AB	1	B, U						HCU to Brake Hose, Right
3	52009074	1							TUBE, Brake, Master Cylinder to Proportioning Valve, Secondary
4	52009069	1							TUBE, Brake, Master Cylinder to Proportioning Valve, Primary
5	52009146	1							TUBE, Brake, HCU to Union, Rear
6									TUBE, Brake
	52009073	1	J, T						HCU to Brake Hose, Left
	52009079AB	1	B, U						HCU to Brake Hose, Left
7									CLIP, Brake Line
	52008940	5	J, T						2 Way, Mounting
		5	B, U						2 Way, Mounting
8	52127967	1							TUBE, Brake, Union to Brake Hose, Rear
9									TUBE, Brake
	52009067	1	J, T						Proportioning Valve to HCU, Primary
	52009075AB	1	B, U						Proportioning Valve to HCU, Primary
10									TUBE, Brake
	52009068	1	J, T						Proportioning Valve to HCU, Secondary
	52009076AC	1	B, U						Proportioning Valve to HCU, Secondary
11	52009234	1							CLIP, Brake/Fuel Line, 1 Way, Mounting
12	52128157	1	J, T						CLIP, Brake LineMounting

CHEROKEE (XJ)

SERIES

H = Sport
L = SE
P = Classic
S = Limited

LINE

T = JEEP - 2WD
B = JEEP - 2WD (RHD)
J = JEEP - 4WD
U = JEEP - 4WD (RHD)

BODY

74 = 4 Dr (101.4WB)
72 = 2 Dr (101.4WB)

ENGINE

ENC = ENGINE - 2.5L 4 CYL TURBO DIESEL
EPE = ENGINE - 2.5L POWER TECH I-4 Cyl.
ERH = ENGINE - 4.0L POWER TECH I-6

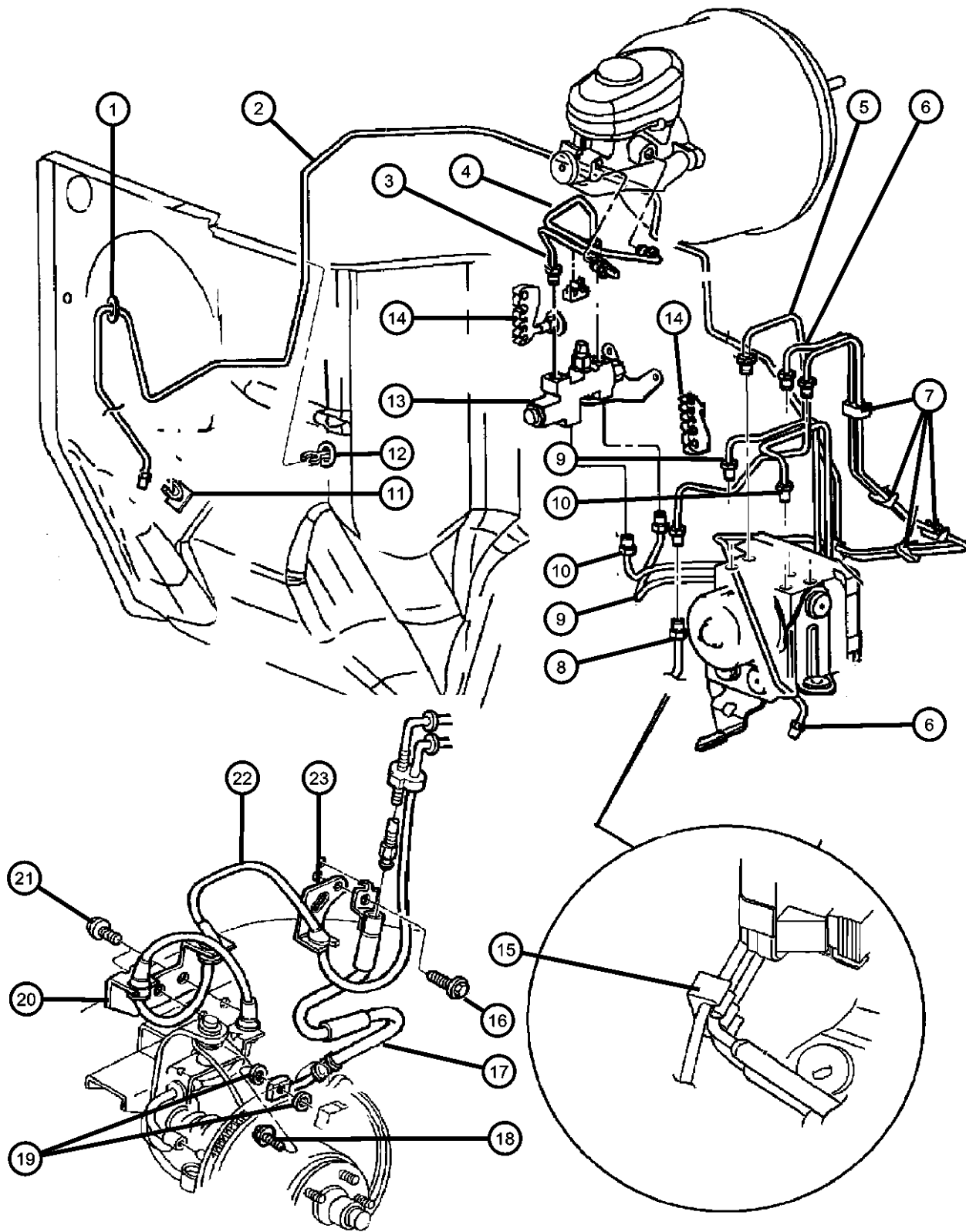
TRANSMISSION

DDD = TRANSMISSION - 5-SPEED HD MANUAL
DDQ = TRANSMISSION - 5-SPEED MANUAL
DGD = TRANSMISSION - 3-SPD. AUTOMATIC,30RH
DGK = TRANSMISSION - 4-SPD. AUTOMATIC,42RE
DGS = TRANSMISSION-4SPD. AUTO,AISIN WARNER
DGT = TRANSMISSION - 4-SPD. AUTOMATIC,46RE
DGW = TRANSMISSION - 4-SPD. AUTOMATIC,44RE
DGX = TRANSMISSION - 4-SPEED AUTOMATIC
DBB = ALL MANUAL TRANSMISSIONS
DGO = ALL AUTOMATIC TRANSMISSIONS

AR = use ase required - = Non illustrated part

2000 XJ

Brake Lines,Front,LHD,RHD,With Anti-Lock Brakes
Figure 5-530



ITEM	PART NUMBER	QTY	LINE	SERIES	BODY	ENGINE	TRANS	TRIM	DESCRIPTION
13									VALVE, Proportioning
	52128419AA	1	J, T						
	52128421AA	1							
14									CLIP, Five Way
	52128060	2	J, T						Mounting
		3	B, U						Mounting
15									CLIP, Brake Line
	52009163	1	J, T						Mounting
		7	B, U						Mounting
16	06502711	2							BOLT, Brake Hose to Wheelhouse, Mounting
17									HOSE, Brake
	52008674AC	1							Right
	52008675AC	1							Left
18	J4006700	2							BOLT, Banjo, Hose to Caliper, Mounting
19	J3237672	4							GASKET, Brake Hose To CaliperMounting
20									BRACKET, Brake Sensor
	56026996	1							Right
	56026997	1							Left
21	34201912	4							SCREW, Self Tapping, M6x1x14, Brake Sensor Bracket, Mounting
22									SENSOR, Anti-Lock Brakes
	56005217	2	B				74		Right or Left
		2	T						Right or Left
		2	J						Right or Left

CHEROKEE (XJ)

SERIES

H = Sport
L = SE
P = Classic
S = Limited

LINE

T = JEEP - 2WD
B = JEEP - 2WD (RHD)
J = JEEP - 4WD
U = JEEP - 4WD (RHD)

BODY

74 = 4 Dr (101.4WB)
72 = 2 Dr (101.4WB)

ENGINE

ENC = ENGINE - 2.5L 4 CYL TURBO DIESEL
EPE = ENGINE - 2.5L POWER TECH I-4 Cyl.
ERH = ENGINE - 4.0L POWER TECH I-6

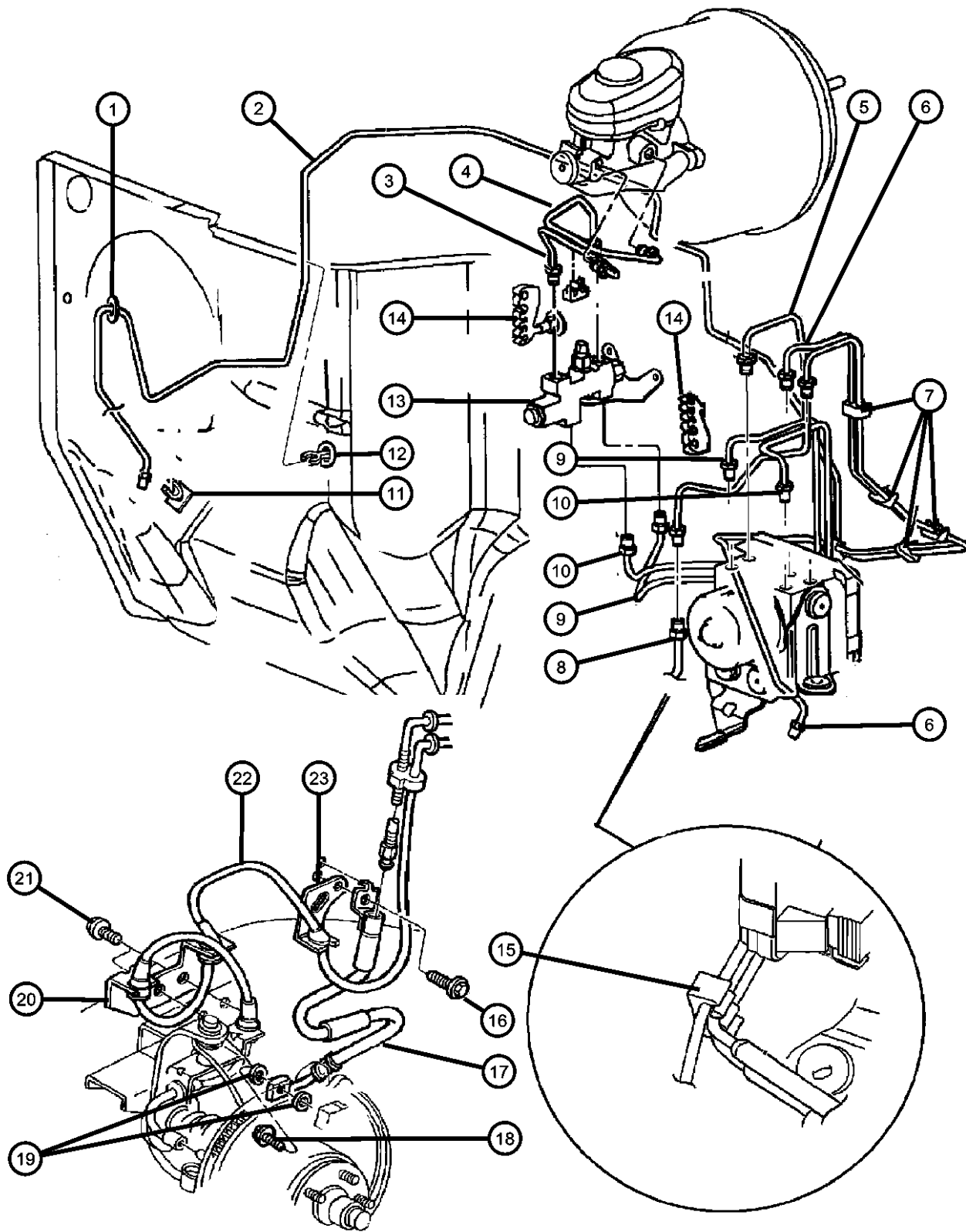
TRANSMISSION

DDD = TRANSMISSION - 5-SPEED HD MANUAL
DDQ = TRANSMISSION - 5-SPEED MANUAL
DGD = TRANSMISSION - 3-SPD. AUTOMATIC,30RH
DGK = TRANSMISSION - 4-SPD. AUTOMATIC,42RE
DGS = TRANSMISSION-4SPD. AUTO,AISIN WARNER
DGT = TRANSMISSION - 4-SPD. AUTOMATIC,46RE
DGW = TRANSMISSION - 4-SPD. AUTOMATIC,44RE
DGX = TRANSMISSION - 4-SPEED AUTOMATIC
DBB = ALL MANUAL TRANSMISSIONS
DGO = ALL AUTOMATIC TRANSMISSIONS

AR = use ase required - = Non illustrated part

2000 XJ

**Brake Lines,Front,LHD,RHD,With Anti-Lock Brakes
Figure 5-530**



ITEM	PART NUMBER	QTY	LINE	SERIES	BODY	ENGINE	TRANS	TRIM	DESCRIPTION
------	-------------	-----	------	--------	------	--------	-------	------	-------------

23		2	U						Right or Left
	56026836	1							BRACKET, ABS Sensor
	56026837	1							Right
									Left

CHEROKEE (XJ)

SERIES	LINE
H = Sport	T = JEEP - 2WD
L = SE	B = JEEP - 2WD (RHD)
P = Classic	J = JEEP - 4WD
S = Limited	U = JEEP - 4WD (RHD)

BODY
74 = 4 Dr (101.4WB)
72 = 2 Dr (101.4WB)

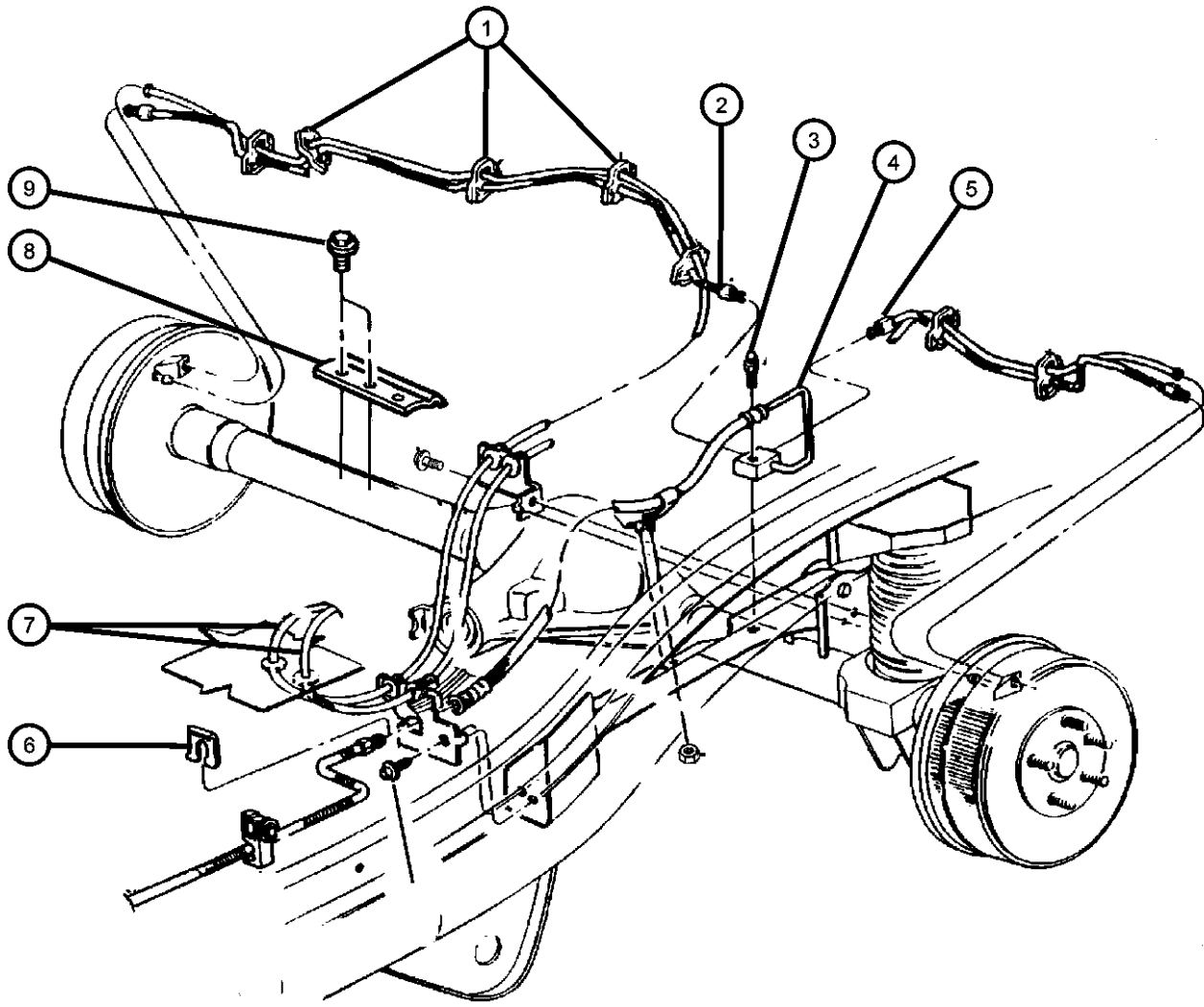
ENGINE
ENC = ENGINE - 2.5L 4 CYL TURBO DIESEL
EPE = ENGINE - 2.5L POWER TECH I-4 Cyl.
ERH = ENGINE - 4.0L POWER TECH I-6

TRANSMISSION
DDD = TRANSMISSION - 5-SPEED HD MANUAL
DDQ = TRANSMISSION - 5-SPEED MANUAL
DGD = TRANSMISSION - 3-SPD. AUTOMATIC,30RH
DGK = TRANSMISSION - 4-SPD. AUTOMATIC,42RE
DGS = TRANSMISSION-4SPD. AUTO,AISIN WARNER
DGT = TRANSMISSION - 4-SPD. AUTOMATIC,46RE
DGW = TRANSMISSION - 4-SPD. AUTOMATIC,44RE
DGX = TRANSMISSION - 4-SPEED AUTOMATIC
DBB = ALL MANUAL TRANSMISSIONS
DGO = ALL AUTOMATIC TRANSMISSIONS

AR = use ase required - = Non illustrated part

2000 XJ

**Brake Lines and Hoses,Rear
Figure 5-540**



ITEM	PART NUMBER	QTY	LINE	SERIES	BODY	ENGINE	TRANS	TRIM	DESCRIPTION
------	-------------	-----	------	--------	------	--------	-------	------	-------------

Note:Sales Codes:
 [AHB]=Police Group
 [DRA]=Axle - Rear,Corporate 8.25
 [DRJ]=Axle - Rear,Dana M35/194MM
 [DRM]=Axle - Rear,Dana 35C/194MM

1	56026775	10							CLIP, Tube To Speed Sensor
2									TUBE, Brake
	52128264AC	1							[DRJ,DRM,AHB], Right
	52129022	1							[DRA], Right
	52130024	1							[DRJ,DRM], Right
3	52067508	1							BOLT, Axle Vent
4	52007562AC	1							HOSE, BrakeRear
5									TUBE, Brake
	52128265AC	1							[DRJ,DRM,AHB], Left
	52129023	1							[DRA], Left
	52130025	1							[DRJ,DRM], Left
6	02208893	1							LOCK, Brake Hose
7									SENSOR, Anti-Lock Brakes
	52005932	1							Right
	52005933	1							Left
8	52007800	1							CLIP, Brake Tube
9	34201912	4							SCREW, Self Tapping, M6x1x14

CHEROKEE (XJ)

SERIES	LINE
H = Sport	T = JEEP - 2WD
L = SE	B = JEEP - 2WD (RHD)
P = Classic	J = JEEP - 4WD
S = Limited	U = JEEP - 4WD (RHD)

BODY
74 = 4 Dr (101.4WB)
72 = 2 Dr (101.4WB)

ENGINE
ENC = ENGINE - 2.5L 4 CYL TURBO DIESEL
EPE = ENGINE - 2.5L POWER TECH I-4 Cyl.
ERH = ENGINE - 4.0L POWER TECH I-6

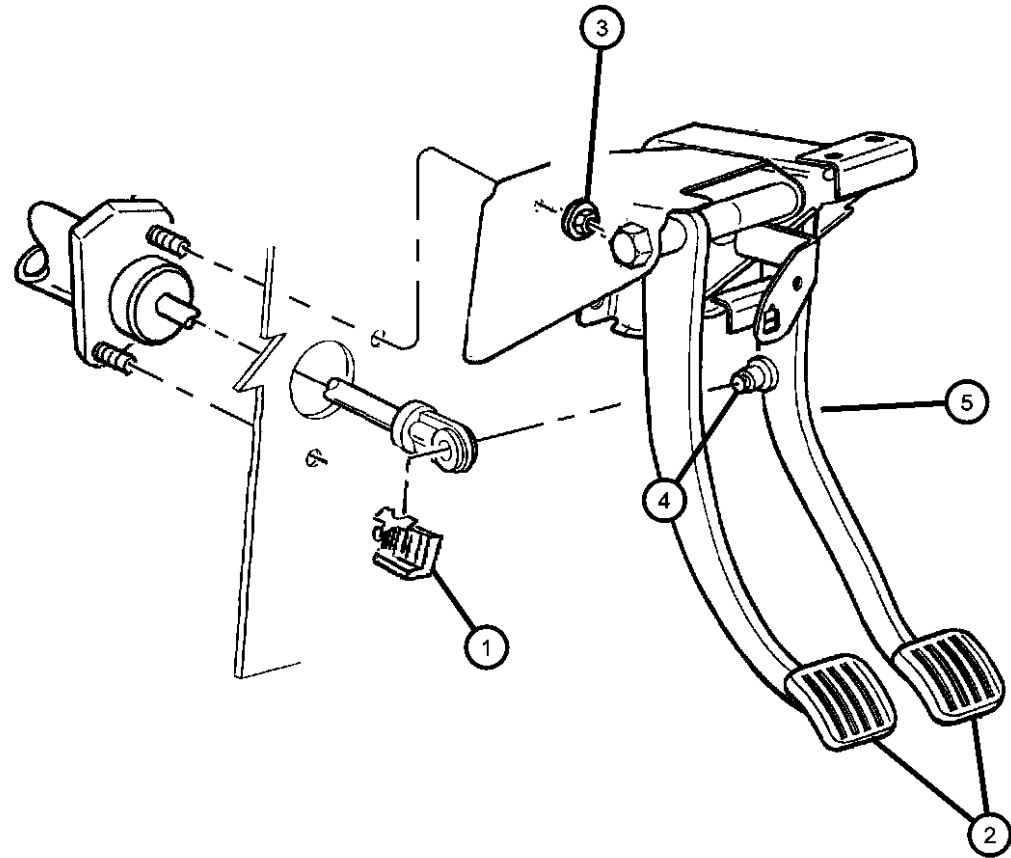
TRANSMISSION
DDD = TRANSMISSION - 5-SPEED HD MANUAL
DDQ = TRANSMISSION - 5-SPEED MANUAL
DGD = TRANSMISSION - 3-SPD. AUTOMATIC,30RH
DGK = TRANSMISSION - 4-SPD. AUTOMATIC,42RE
DGS = TRANSMISSION-4SPD. AUTO,AISIN WARNER
DGT = TRANSMISSION - 4-SPD. AUTOMATIC,46RE
DGW = TRANSMISSION - 4-SPD. AUTOMATIC,44RE
DGX = TRANSMISSION - 4-SPEED AUTOMATIC
DBB = ALL MANUAL TRANSMISSIONS
DGO = ALL AUTOMATIC TRANSMISSIONS

AR = use ase required - = Non illustrated part

2000 XJ

**Brake Pedal
Figure 5-610**

ITEM	PART NUMBER	QTY	LINE	SERIES	BODY	ENGINE	TRANS	TRIM	DESCRIPTION
1	06035334	1							CLIP, Brake Push Rod
2									PAD, Pedal
	04779027	1	B, U						
		1	J, T						
3	J4003909	2							NUT, Hex Flange With Serration
4									PEDAL, Brake
	52078848AE	1	B, U						w/ Auto Trans
	52129061AG	1	J, T						w/ Auto Trans
5									PEDAL, Brake And Clutch
	52079254AC	1	B, U						w/ Manual Trans
	52128398AA	1	J, T						w/ Manual Trans
-6	04446361	1							BUSHING, Hydraulic Clutch Actuator



CHEROKEE (XJ)

SERIES

H = Sport
L = SE
P = Classic
S = Limited

LINE

T = JEEP - 2WD
B = JEEP - 2WD (RHD)
J = JEEP - 4WD
U = JEEP - 4WD (RHD)

BODY

74 = 4 Dr (101.4WB)
72 = 2 Dr (101.4WB)

ENGINE

ENC = ENGINE - 2.5L 4 CYL TURBO DIESEL
EPE = ENGINE - 2.5L POWER TECH I-4 Cyl.
ERH = ENGINE - 4.0L POWER TECH I-6

TRANSMISSION

DDD = TRANSMISSION - 5-SPEED HD MANUAL
DDQ = TRANSMISSION - 5-SPEED MANUAL
DGD = TRANSMISSION - 3-SPD. AUTOMATIC,30RH
DGK = TRANSMISSION - 4-SPD. AUTOMATIC,42RE
DGS = TRANSMISSION-4SPD. AUTO,AISIN WARNER
DGT = TRANSMISSION - 4-SPD. AUTOMATIC,46RE
DGW = TRANSMISSION - 4-SPD. AUTOMATIC,44RE
DGX = TRANSMISSION - 4-SPEED AUTOMATIC
DBB = ALL MANUAL TRANSMISSIONS
DGO = ALL AUTOMATIC TRANSMISSIONS

AR = use ase required - = Non illustrated part

2000 XJ

Group - 6

Clutch

Group - 6 Clutch

Illustration Title

Group-Fig. No.

Clutch

Clutch Assembly Fig. 6 - 110

Clutch Housing

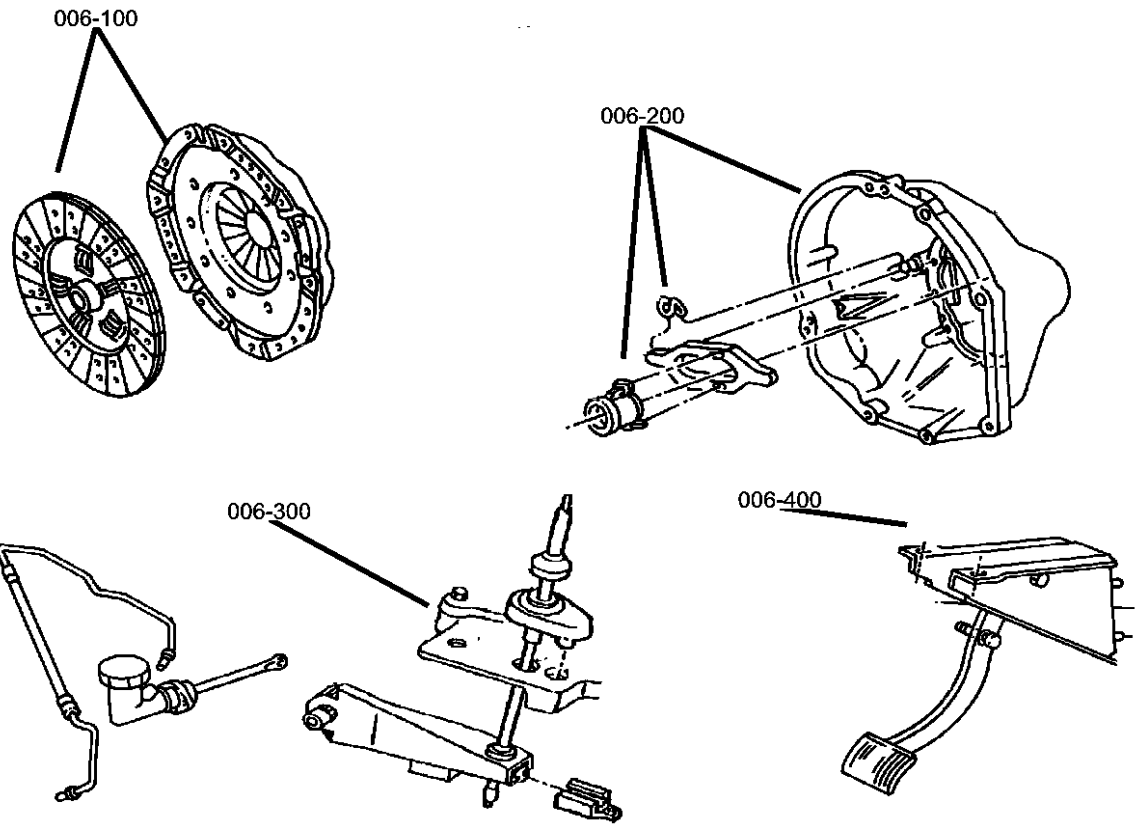
Clutch Housing and Pan Fig. 6 - 210

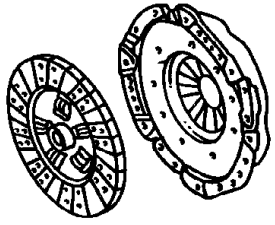
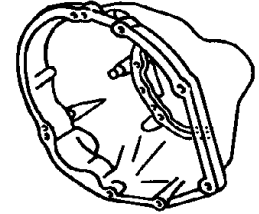
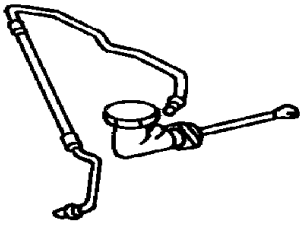
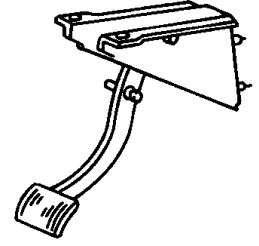
Clutch Controls

Controls, Hydraulic Clutch Fig. 6 - 310

Clutch Pedals

Pedal, Clutch Fig. 6 - 410



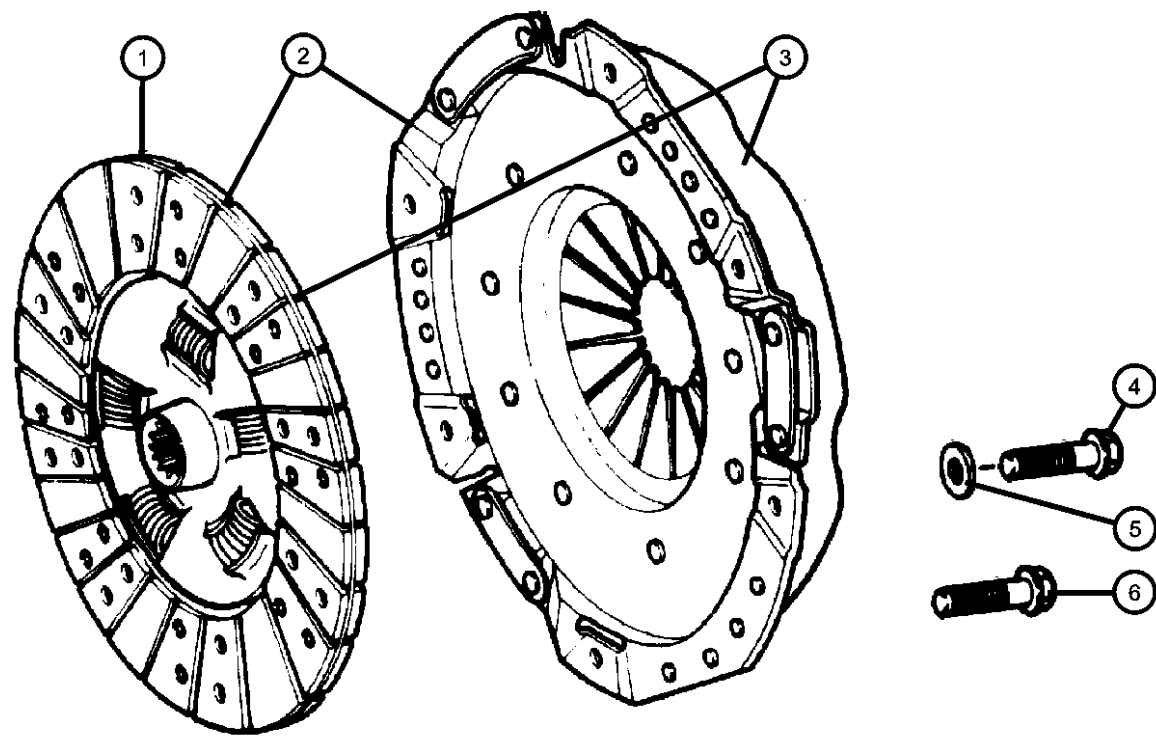
<p>006-100 Clutch</p> 	<p>006-200 Clutch Housing</p> 	<p>006-300 Clutch Controls</p> 	<p>006-400 Clutch Pedals</p> 
---	--	--	---

**Clutch Assembly
Figure 6-110**

ITEM	PART NUMBER	QTY	LINE	SERIES	BODY	ENGINE	TRANS	TRIM	DESCRIPTION
------	-------------	-----	------	--------	------	--------	-------	------	-------------

Notes:

EPO= All 2.5L, 4 Cylinder, Gas Engine
 ER0= All 4L., 6 Cylinder, Gas Engine
 EN0= All 4/5 Cylinder, Turbo Diesel Engine
 DDD = 5 Speed Heavy Duty Manual Transmission
 DBB = All Manual Transmissions



1									DISC, Clutch
	52104363AA	1				ER0	DDD		
	53008259AB	1				EN0	DDD		
2									CLUTCH PACKAGE, Pressure Plate and Disc
	04874175AC	1				EN0	DDD		
	05015606AA	1				ER0	DDD		
3	52107570	1				EPO	DBB		CLUTCH KIT, Pressure Plate and Disc
4	34201373	6				EPO	DBB		BOLT, Hex Head, M8x1.25x22, Pressure Plate to Flywheel, Mounting
5	11500221	6				EPO	DBB		WASHER, Flat, Pressure Plate to Flywheel, Mounting
6									BOLT, Hex Flange Head
	06035626	6				ER0	DBB		Pressure Plate to Flywheel, Mounting
		6				EN0	DBB		Pressure Plate to Flywheel, Mounting

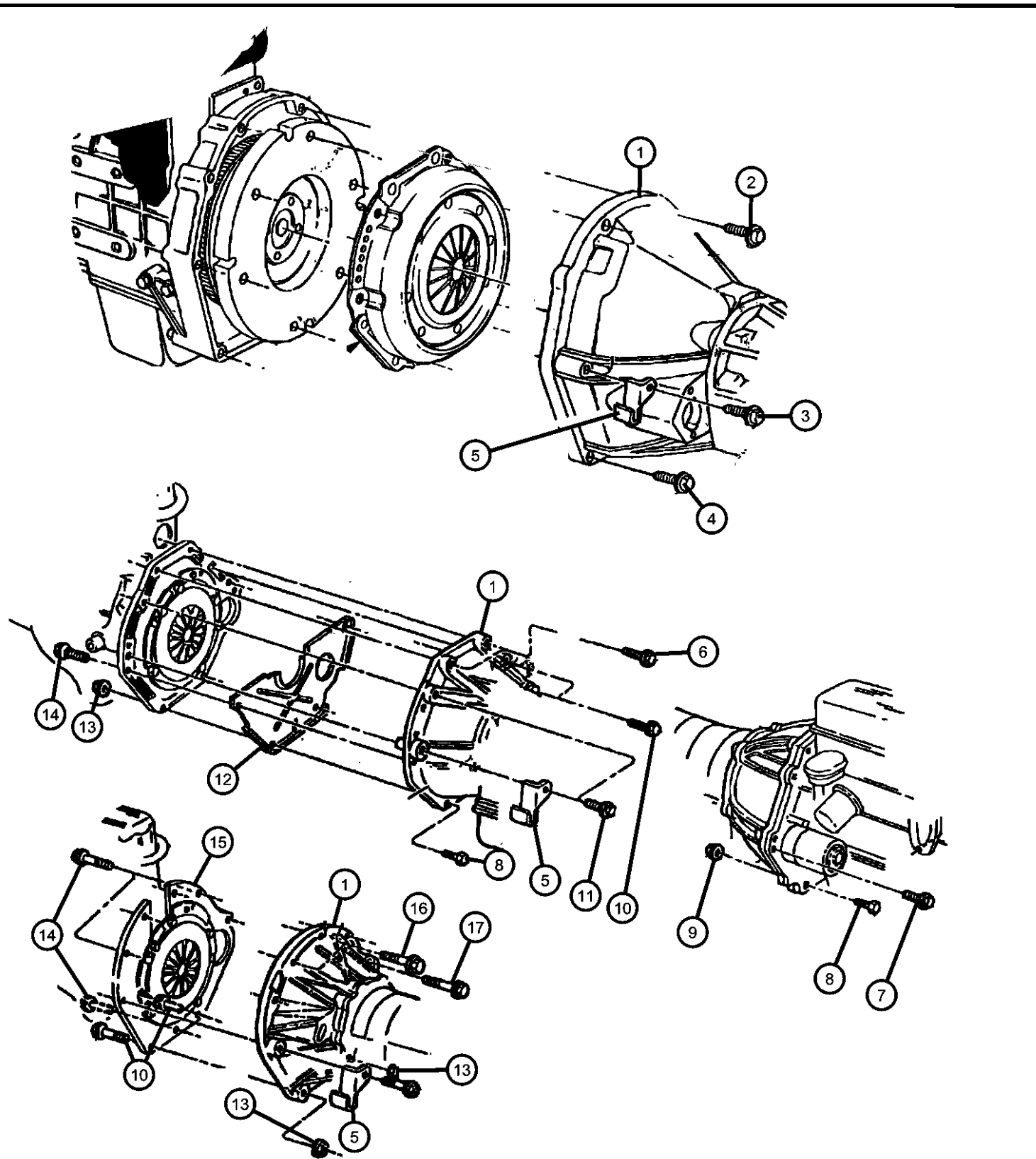
CHEROKEE (XJ)

SERIES	LINE	BODY	ENGINE	TRANSMISSION
H = Sport	T = JEEP - 2WD	74 = 4 Dr (101.4WB)	ENC = ENGINE - 2.5L 4 CYL TURBO DIESEL	DDD = TRANSMISSION - 5-SPEED HD MANUAL
L = SE	B = JEEP - 2WD (RHD)	72 = 2 Dr (101.4WB)	EPE = ENGINE - 2.5L POWER TECH I-4 Cyl.	DDQ = TRANSMISSION - 5-SPEED MANUAL
P = Classic	J = JEEP - 4WD		ERH = ENGINE - 4.0L POWER TECH I-6	DGD = TRANSMISSION - 3-SPD. AUTOMATIC,30RH
S = Limited	U = JEEP - 4WD (RHD)			DGK = TRANSMISSION - 4-SPD. AUTOMATIC,42RE
				DGS = TRANSMISSION-4SPD. AUTO,AISIN WARNER
				DGT = TRANSMISSION - 4-SPD. AUTOMATIC,46RE
				DGW = TRANSMISSION - 4-SPD. AUTOMATIC,44RE
				DGX = TRANSMISSION - 4-SPEED AUTOMATIC
				DBB = ALL MANUAL TRANSMISSIONS
				DGO = ALL AUTOMATIC TRANSMISSIONS

AR = use ase required - = Non illustrated part

2000 XJ

Clutch Housing and Pan
Figure 6-210



ITEM	PART NUMBER	QTY	LINE	SERIES	BODY	ENGINE	TRANS	TRIM	DESCRIPTION
------	-------------	-----	------	--------	------	--------	-------	------	-------------

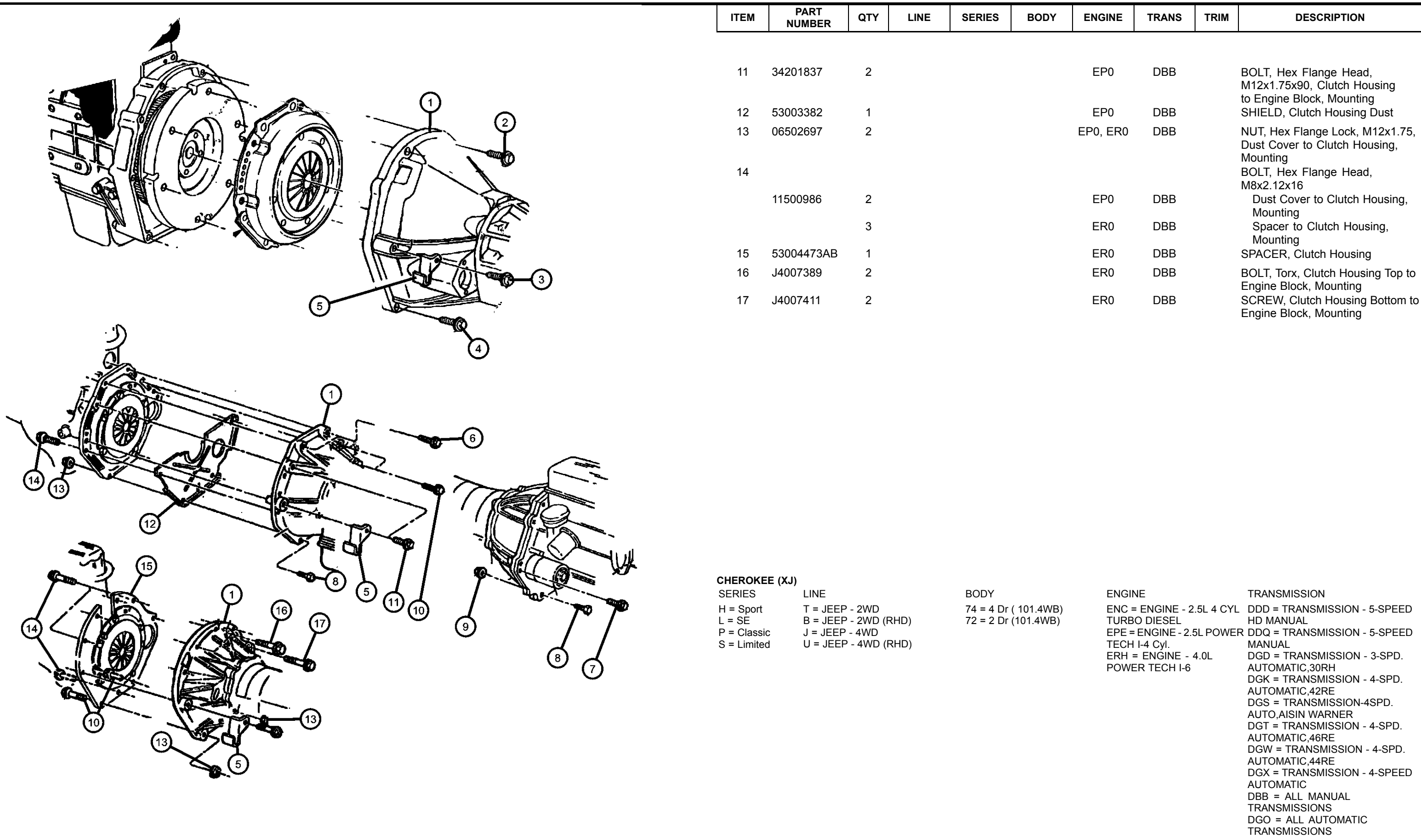
Notes:Sales Codes:
 [DBB]=All Manual Transmissions
 [DDD]=5 Speed HD Manual Transmission
 [EN0]=All Turbo Diesel Engines
 [EP0]=All 2.5L 4 Cylinder Gas Engines
 [ER0]=All V6 Engines

1									HOUSING, Clutch
	52104000	1				EP0	DBB		
	52107552	1				EN0, ER0	DBB		
2	06034795	2				EN0	DBB		SCREW, Hex Head, .375-16x2.00, Clutch Housing to Spacer Plate, Mounting
3	06034795	2							SCREW, Hex Flange Head, (NOT SERVICED)
4	06100952	2				EN0	DBB		SCREW, Hex Head, M12-1.75x55, Clutch Housing to Spacer Plate, Mounting
5	52107595AB	1					DBB		BRACKET, Clutch TubeMounting
6	06100345	2				EP0	DBB		SCREW AND WASHER, Hex Flange Head, M12x1.75x45, Clutch Housing to Engine Block, Mounting
7	11500986	2				EP0	DBB		BOLT, Hex Flange Head, M8x2.12x16, Clutch Housing to Engine Block, Mounting
8	11500986	2							SCREW, Hex Flange Head, M12x1.75x65, (NOT SERVICED)
9	06502697	2				EP0, ER0	DBB		NUT, Hex Flange Lock, M12x1.75, Dust Cover to Clutch Housing, Mounting
10	11504922	2				EP0	DBB		BOLT, Hex Head, M12x1.75x50, Clutch Housing to Engine Block, Mounting

CHEROKEE (XJ)		BODY		ENGINE		TRANSMISSION	
SERIES	LINE						
H = Sport	T = JEEP - 2WD	74 = 4 Dr (101.4WB)		ENC = ENGINE - 2.5L 4 CYL TURBO DIESEL	DDD = TRANSMISSION - 5-SPEED HD MANUAL		
L = SE	B = JEEP - 2WD (RHD)	72 = 2 Dr (101.4WB)		EPE = ENGINE - 2.5L POWER TECH I-4 Cyl.	DDQ = TRANSMISSION - 5-SPEED MANUAL		
P = Classic	J = JEEP - 4WD			ERH = ENGINE - 4.0L POWER TECH I-6	DGD = TRANSMISSION - 3-SPD. AUTOMATIC,30RH		
S = Limited	U = JEEP - 4WD (RHD)				DGK = TRANSMISSION - 4-SPD. AUTOMATIC,42RE		
					DGS = TRANSMISSION-4SPD. AUTO,AISIN WARNER		
					DGT = TRANSMISSION - 4-SPD. AUTOMATIC,46RE		
					DGW = TRANSMISSION - 4-SPD. AUTOMATIC,44RE		
					DGX = TRANSMISSION - 4-SPEED AUTOMATIC		
					DBB = ALL MANUAL TRANSMISSIONS		
					DGO = ALL AUTOMATIC TRANSMISSIONS		

AR = use ase required - = Non illustrated part

Clutch Housing and Pan
Figure 6-210



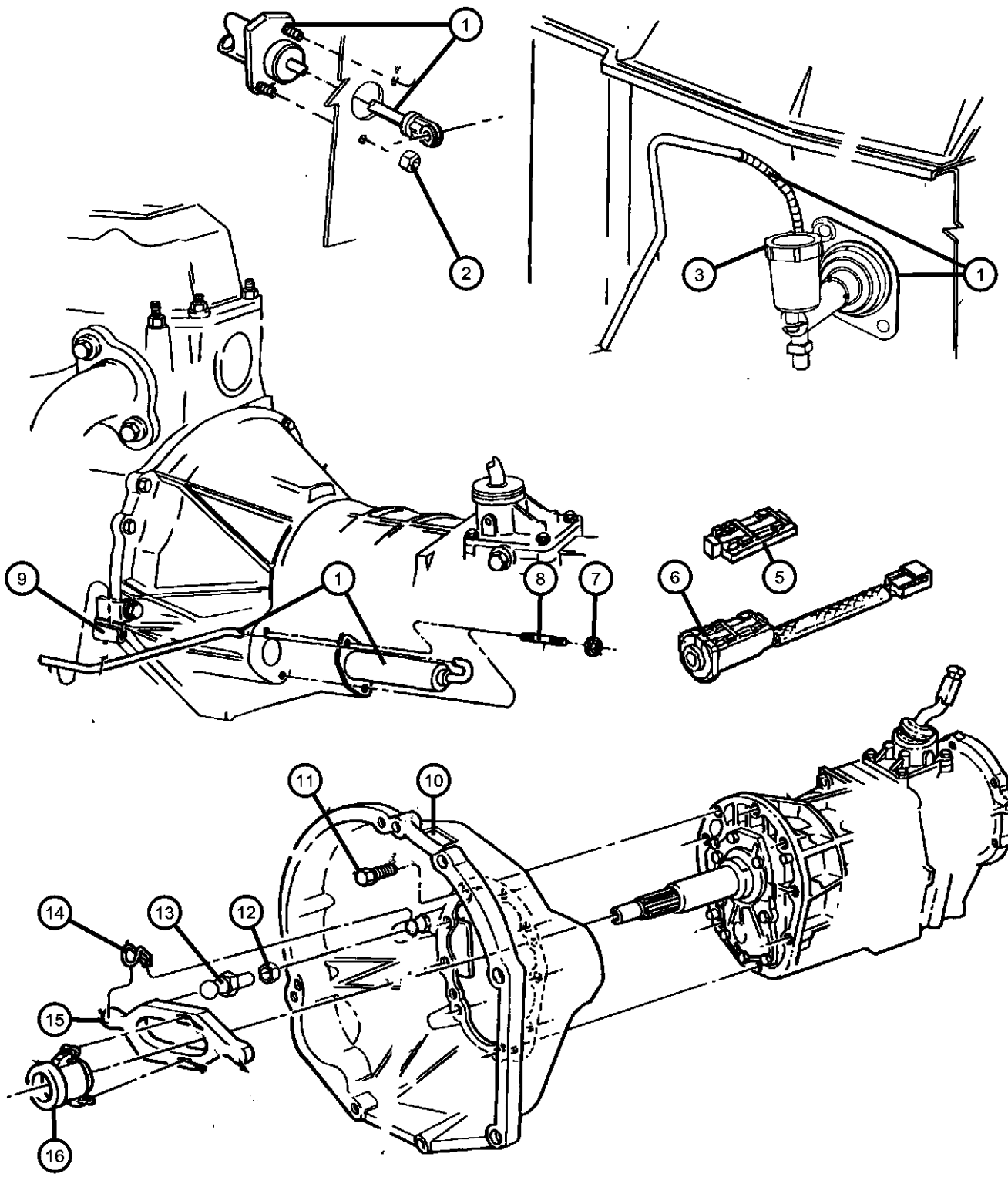
ITEM	PART NUMBER	QTY	LINE	SERIES	BODY	ENGINE	TRANS	TRIM	DESCRIPTION
11	34201837	2				EP0	DBB		BOLT, Hex Flange Head, M12x1.75x90, Clutch Housing to Engine Block, Mounting
12	53003382	1				EP0	DBB		SHIELD, Clutch Housing Dust
13	06502697	2				EP0, ER0	DBB		NUT, Hex Flange Lock, M12x1.75, Dust Cover to Clutch Housing, Mounting
14	11500986	2				EP0	DBB		BOLT, Hex Flange Head, M8x2.12x16 Dust Cover to Clutch Housing, Mounting
		3				ER0	DBB		Spacer to Clutch Housing, Mounting
15	53004473AB	1				ER0	DBB		SPACER, Clutch Housing
16	J4007389	2				ER0	DBB		BOLT, Torx, Clutch Housing Top to Engine Block, Mounting
17	J4007411	2				ER0	DBB		SCREW, Clutch Housing Bottom to Engine Block, Mounting

CHEROKEE (XJ)

SERIES	LINE	BODY	ENGINE	TRANSMISSION
H = Sport	T = JEEP - 2WD	74 = 4 Dr (101.4WB)	ENC = ENGINE - 2.5L 4 CYL TURBO DIESEL	DDD = TRANSMISSION - 5-SPEED HD MANUAL
L = SE	B = JEEP - 2WD (RHD)	72 = 2 Dr (101.4WB)	EPE = ENGINE - 2.5L POWER TECH I-4 Cyl.	DDQ = TRANSMISSION - 5-SPEED MANUAL
P = Classic	J = JEEP - 4WD		ERH = ENGINE - 4.0L POWER TECH I-6	DGD = TRANSMISSION - 3-SPD. AUTOMATIC,30RH
S = Limited	U = JEEP - 4WD (RHD)			DGK = TRANSMISSION - 4-SPD. AUTOMATIC,42RE
				DGS = TRANSMISSION-4SPD. AUTO,AISIN WARNER
				DGT = TRANSMISSION - 4-SPD. AUTOMATIC,46RE
				DGW = TRANSMISSION - 4-SPD. AUTOMATIC,44RE
				DGX = TRANSMISSION - 4-SPEED AUTOMATIC
				DBB = ALL MANUAL TRANSMISSIONS
				DGO = ALL AUTOMATIC TRANSMISSIONS

AR = use ase required - = Non illustrated part

Controls,Hydraulic Clutch
Figure 6-310



ITEM	PART NUMBER	QTY	LINE	SERIES	BODY	ENGINE	TRANS	TRIM	DESCRIPTION
------	-------------	-----	------	--------	------	--------	-------	------	-------------

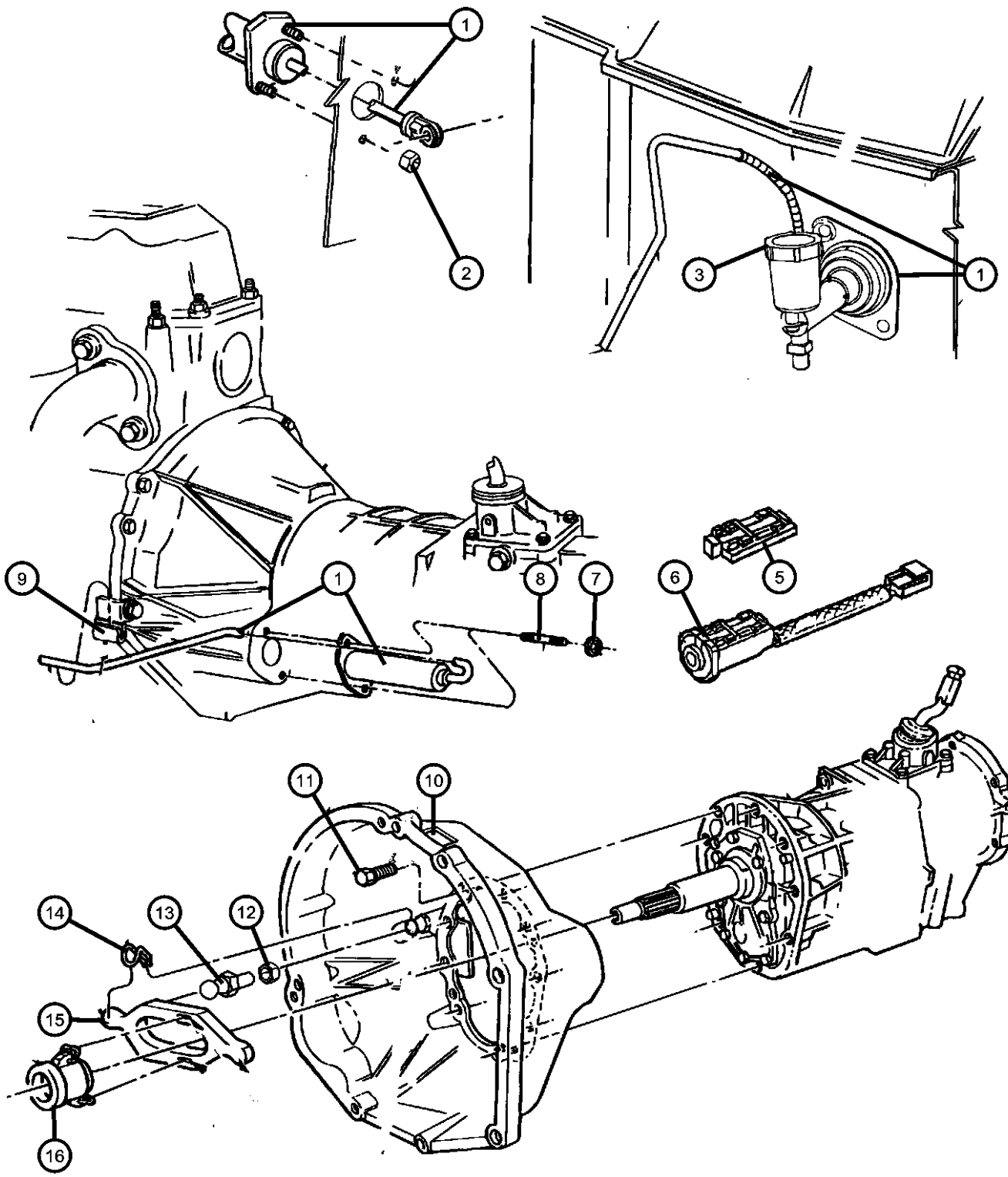
Notes:Sales Codes:
 [DBB]=All Manual Transmissions
 [DDD]=5 Speed HD Manual Transmission
 [EN0]=All Turbo Diesel Engines
 [EP0]=All 2.5L 4 Cylinder Gas Engines
 [ER0]=All V6 Engines

1									HYDRAULIC CONTROL, Clutch Actuator
	52107654AC	1	J, T			EN0	DBB		
	52107657AB	1	U			EN0	DBB		
	52119686AA	1	J, T			EP0, ER0	DBB		
	52119687AA	1	B, U			EP0, ER0	DBB		
2	J4003909	2					DBB		NUT, Hex Flange With Serration, Clutch Master Cylinder to Dash, Mounting
3									CAP, Clutch Reservoir
	04883544AA	1	J, T			EN0	DBB		
		1	J, T			EP0, ER0	DBB		
		1	B, U			EP0, ER0	DBB		
		1	U			EN0	DBB		
-4									DIAPHRAGM, Clutch Reservoir
	05015607AA	1	U			EN0	DBB		
		1	J, T			EN0	DBB		
		1	J, T			EP0, ER0	DBB		
		1	B, U			EP0, ER0	DBB		
5									COVER, Switch
	05015960AA	1	J, T			EN0	DBB		
		1	U			EN0	DBB		

CHEROKEE (XJ)		BODY		ENGINE		TRANSMISSION	
SERIES	LINE						
H = Sport	T = JEEP - 2WD	74 = 4 Dr (101.4WB)		ENC = ENGINE - 2.5L 4 CYL TURBO DIESEL	DDD = TRANSMISSION - 5-SPEED HD MANUAL		
L = SE	B = JEEP - 2WD (RHD)	72 = 2 Dr (101.4WB)		EPE = ENGINE - 2.5L POWER TECH I-4 Cyl.	DDQ = TRANSMISSION - 5-SPEED MANUAL		
P = Classic	J = JEEP - 4WD			ERH = ENGINE - 4.0L POWER TECH I-6	DGD = TRANSMISSION - 3-SPD. AUTOMATIC,30RH		
S = Limited	U = JEEP - 4WD (RHD)				DGK = TRANSMISSION - 4-SPD. AUTOMATIC,42RE		
					DGS = TRANSMISSION-4SPD. AUTO,AISIN WARNER		
					DGT = TRANSMISSION - 4-SPD. AUTOMATIC,46RE		
					DGW = TRANSMISSION - 4-SPD. AUTOMATIC,44RE		
					DGX = TRANSMISSION - 4-SPEED AUTOMATIC		
					DBB = ALL MANUAL TRANSMISSIONS		
					DGO = ALL AUTOMATIC TRANSMISSIONS		

AR = use ase required - = Non illustrated part

Controls,Hydraulic Clutch
Figure 6-310



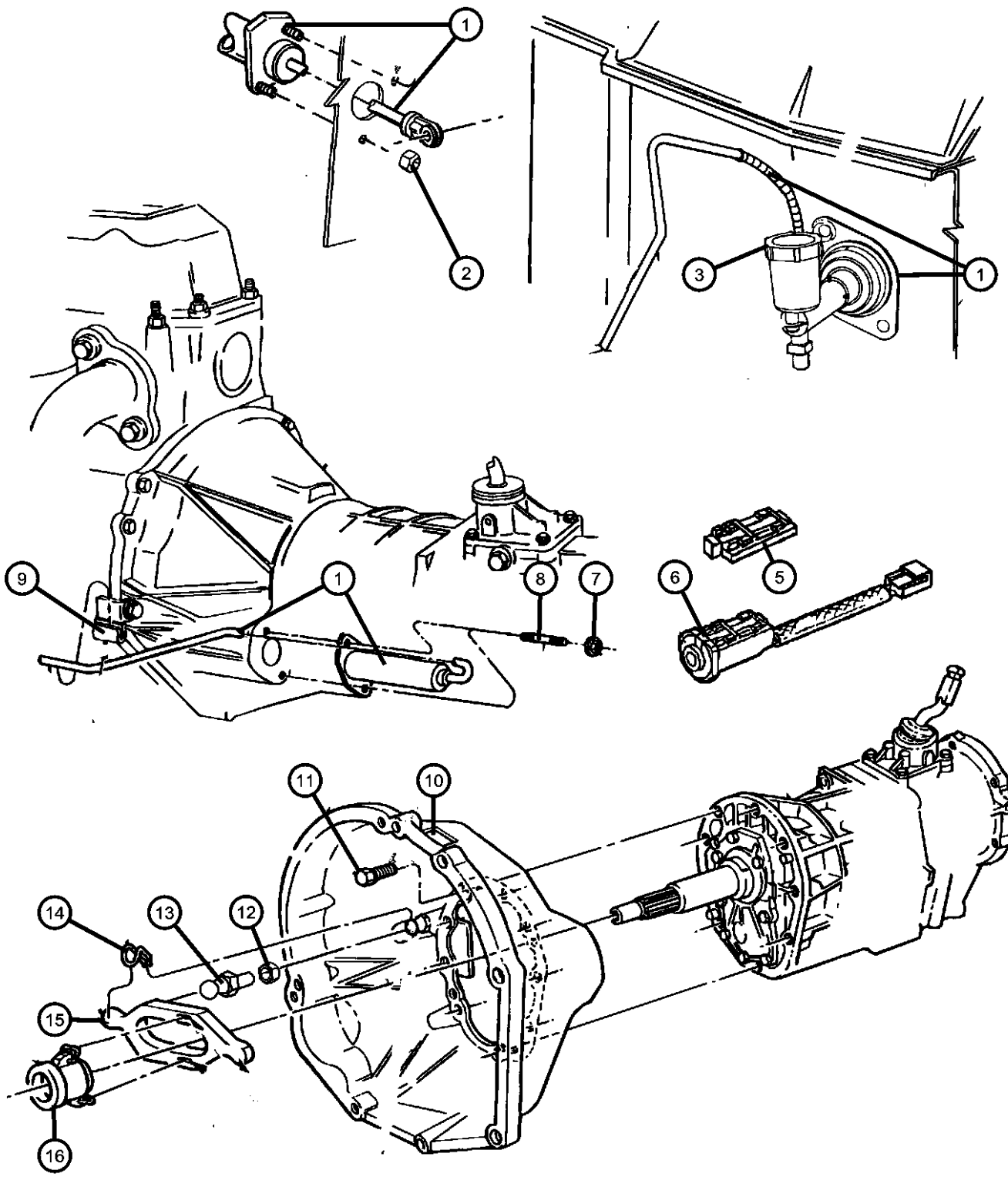
ITEM	PART NUMBER	QTY	LINE	SERIES	BODY	ENGINE	TRANS	TRIM	DESCRIPTION
		1	J, T			EP0, ER0	DBB		
		1	B, U			EP0, ER0	DBB		
6	53007944AB	1	U			EN0	DBB		SWITCH, Clutch Starter Interlock
		1	J, T			EN0	DBB		
		1	J, T			EP0, ER0	DBB		
		1	B, U			EP0, ER0	DBB		
7	00152472	2					DBB		NUT, Slave Cylinder to Clutch Housing, Mounting
8	06032878	2					DBB		STUD, .312-18x2.00, Slave Cylinder to Clutch Housing, Mounting
9	52107595AB	1					DBB		BRACKET, Clutch Tube, Hydraulic Clutch Tube, Mounting
10	53006010	1				ER0, EP0	DBB		GROMMET, Timing Probe
	52107589	1				EN0	DBB		
11	06503299	9					DBB		BOLT, Hex Head, Clutch Housing to Transmission, Mounting
12	00152344	1				EN0, ER0	DBB		Clutch Release Pivot, Mounting
		1				EP0	DBB		Clutch Release Pivot, Mounting
13	52087542	1				EN0, ER0	DBB		PIVOT, Clutch Release
		1				EP0	DBB		
14	04338855	1					DBB		SPRING, Clutch Release
15	52107555	1					DBB		LEVER, Clutch Release

CHEROKEE (XJ)

SERIES	LINE	BODY	ENGINE	TRANSMISSION
H = Sport	T = JEEP - 2WD	74 = 4 Dr (101.4WB)	ENC = ENGINE - 2.5L 4 CYL TURBO DIESEL	DDD = TRANSMISSION - 5-SPEED HD MANUAL
L = SE	B = JEEP - 2WD (RHD)	72 = 2 Dr (101.4WB)	EPE = ENGINE - 2.5L POWER TECH I-4 Cyl.	DDQ = TRANSMISSION - 5-SPEED MANUAL
P = Classic	J = JEEP - 4WD		ERH = ENGINE - 4.0L POWER TECH I-6	DGD = TRANSMISSION - 3-SPD. AUTOMATIC,30RH
S = Limited	U = JEEP - 4WD (RHD)			DGK = TRANSMISSION - 4-SPD. AUTOMATIC,42RE
				DGS = TRANSMISSION-4SPD. AUTO,AISIN WARNER
				DGT = TRANSMISSION - 4-SPD. AUTOMATIC,46RE
				DGW = TRANSMISSION - 4-SPD. AUTOMATIC,44RE
				DGX = TRANSMISSION - 4-SPEED AUTOMATIC
				DBB = ALL MANUAL TRANSMISSIONS
				DGO = ALL AUTOMATIC TRANSMISSIONS

AR = use ase required - = Non illustrated part

Controls,Hydraulic Clutch
Figure 6-310



ITEM	PART NUMBER	QTY	LINE	SERIES	BODY	ENGINE	TRANS	TRIM	DESCRIPTION
16	53008342	1					DBB		BEARING, Clutch Release
-17	34201633	1	J, T			EP0, ERO	DBB		CLIP, Tube, Hydraulic Line to Dash, Mounting
-18									CLIP, Five Way
	52128060	2	J, T						Brake Tube to Dash, Mounting
		3	B, U						Brake Tube to Dash, Mounting

CHEROKEE (XJ)		BODY	ENGINE	TRANSMISSION
SERIES	LINE			
H = Sport	T = JEEP - 2WD	74 = 4 Dr (101.4WB)	ENC = ENGINE - 2.5L 4 CYL TURBO DIESEL	DDD = TRANSMISSION - 5-SPEED HD MANUAL
L = SE	B = JEEP - 2WD (RHD)	72 = 2 Dr (101.4WB)	EPE = ENGINE - 2.5L POWER TECH I-4 Cyl.	DDQ = TRANSMISSION - 5-SPEED MANUAL
P = Classic	J = JEEP - 4WD		ERH = ENGINE - 4.0L POWER TECH I-6	DGD = TRANSMISSION - 3-SPD. AUTOMATIC,30RH
S = Limited	U = JEEP - 4WD (RHD)			DGK = TRANSMISSION - 4-SPD. AUTOMATIC,42RE
				DGS = TRANSMISSION-4SPD. AUTO,AISIN WARNER
				DGT = TRANSMISSION - 4-SPD. AUTOMATIC,46RE
				DGW = TRANSMISSION - 4-SPD. AUTOMATIC,44RE
				DGX = TRANSMISSION - 4-SPEED AUTOMATIC
				DBB = ALL MANUAL TRANSMISSIONS
				DGO = ALL AUTOMATIC TRANSMISSIONS

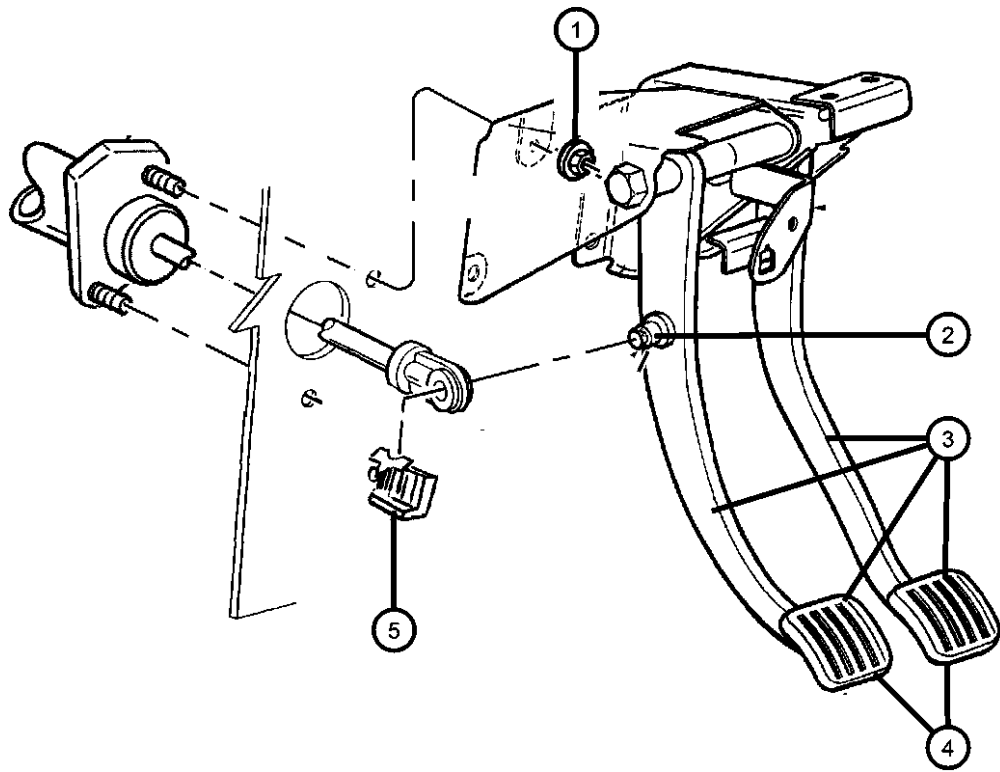
AR = use ase required - = Non illustrated part

Pedal,Clutch
Figure 6-410

ITEM	PART NUMBER	QTY	LINE	SERIES	BODY	ENGINE	TRANS	TRIM	DESCRIPTION
------	-------------	-----	------	--------	------	--------	-------	------	-------------

Notes:Sales Codes:
 [DBB]=All Manual Transmissions
 [DDD]=5 Speed HD Manual Transmission
 [EN0]=All Turbo Diesel Engines
 [EP0]=All 2.5L 4 Cylinder Gas Engines
 [ER0]=All V6 Engines

1	J4003909	2					DBB		NUT, Hex Flange With Serration, Pedal Support Bracket, Mounting
2	04446361	1							BUSHING, Hydraulic Clutch Actuator, Clutch Master Cylinder Push Rod, Mounting
3									PEDAL, Brake And Clutch
	52079254AC	1	B, U				DBB		
	52128398AA	1	J, T				DBB		
4									PAD, Pedal
	52002750	2	B, U				DBB		Clutch or Brake
		2	J, T				DBB		Clutch or Brake
5	06035334	1							CLIP, Clutch Master Cylinder Push Rod, Mounting



CHEROKEE (XJ)

SERIES	LINE	BODY	ENGINE	TRANSMISSION
H = Sport	T = JEEP - 2WD	74 = 4 Dr (101.4WB)	ENC = ENGINE - 2.5L 4 CYL TURBO DIESEL	DDD = TRANSMISSION - 5-SPEED HD MANUAL
L = SE	B = JEEP - 2WD (RHD)	72 = 2 Dr (101.4WB)	EPE = ENGINE - 2.5L POWER TECH I-4 Cyl.	DDQ = TRANSMISSION - 5-SPEED MANUAL
P = Classic	J = JEEP - 4WD		ERH = ENGINE - 4.0L POWER TECH I-6	DGD = TRANSMISSION - 3-SPD. AUTOMATIC,30RH
S = Limited	U = JEEP - 4WD (RHD)			DGK = TRANSMISSION - 4-SPD. AUTOMATIC,42RE
				DGS = TRANSMISSION-4SPD. AUTO,AISIN WARNER
				DGT = TRANSMISSION - 4-SPD. AUTOMATIC,46RE
				DGW = TRANSMISSION - 4-SPD. AUTOMATIC,44RE
				DGX = TRANSMISSION - 4-SPEED AUTOMATIC
				DBB = ALL MANUAL TRANSMISSIONS
				DGO = ALL AUTOMATIC TRANSMISSIONS

AR = use ase required - = Non illustrated part

2000 XJ

Group - 7

Cooling

Group - 7 Cooling

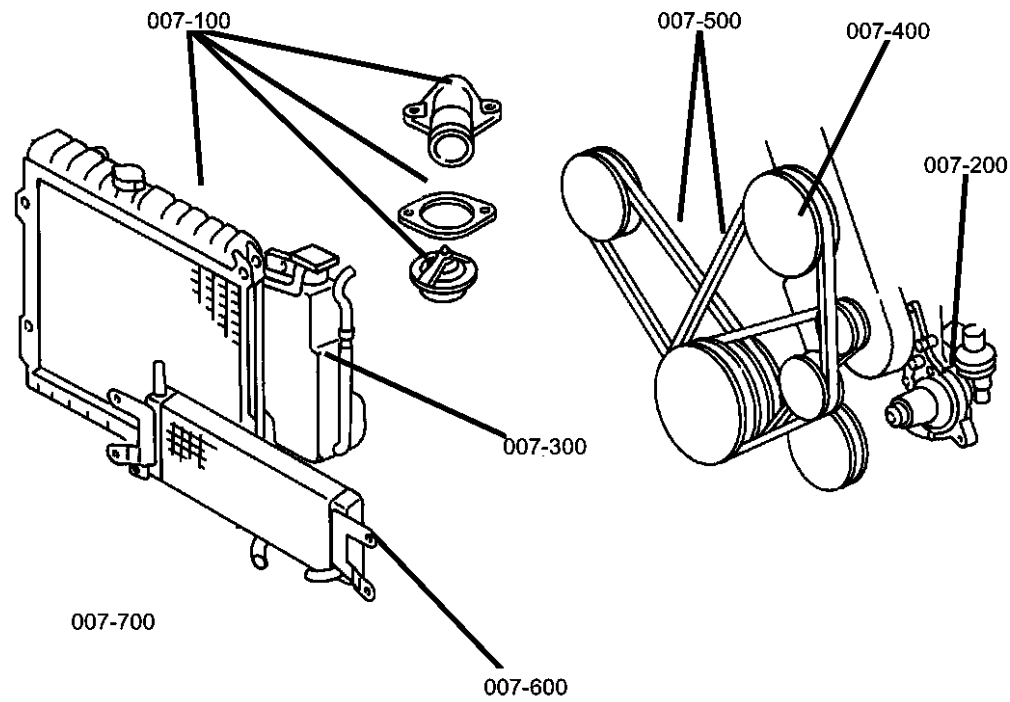


Illustration Title

Group-Fig. No.

Radiator and Related Parts

Radiator and Related Parts, 4.0L Engine	Fig. 7 - 120
Radiator and Related Parts, 2.5L Gas Engine	Fig. 7 - 130
Radiator and Related Parts, 2.5L Diesel Engine	Fig. 7 - 145
Charge Air Cooler, 2.5L Diesel Engine	Fig. 7 - 147

Water Pump and Related Parts

Water Pump and Related Parts, 2.5,4.0L Gas Engines	Fig. 7 - 210
Water Pump and Water Manifold, 2.5L Diesel Engine	Fig. 7 - 215

Tank, Coolant Engine

Bottle, Coolant Recovery, LHD	Fig. 7 - 305
Bottle, Coolant Recovery, RHD	Fig. 7 - 310

Pulleys and Related Parts

Drive Pulleys, 2.5L Gas Engine	Fig. 7 - 407
Drive Pulleys, 4.0L Engine, LHD	Fig. 7 - 408
Drive Pulleys, 4.0L Engine, RHD	Fig. 7 - 409
Drive Pulleys, 2.5L Diesel Engine	Fig. 7 - 415

Drive Belts

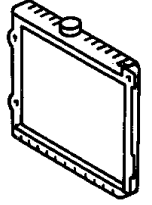
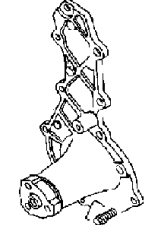
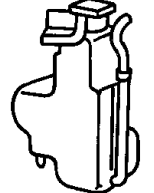
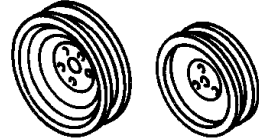
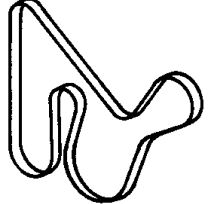
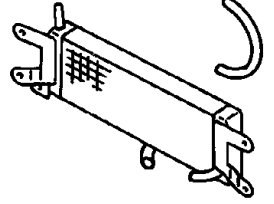
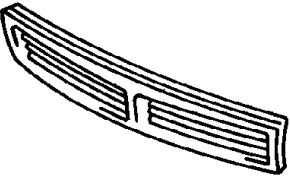
Drive Belts	Fig. 7 - 510
-------------------	--------------

Lines, Transmission Oil Cooler

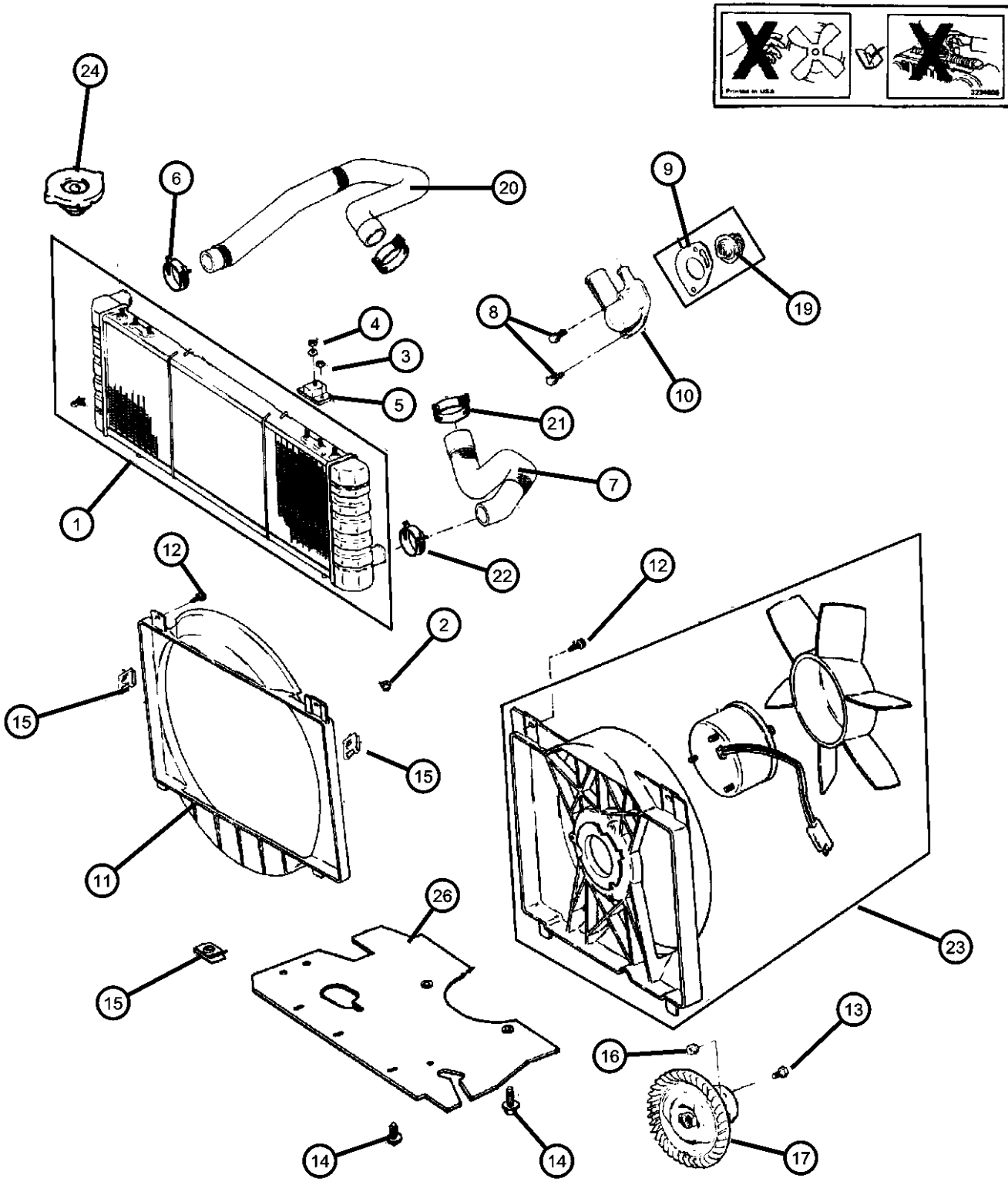
Oil Cooler Lines, LHD	Fig. 7 - 610
Oil Cooler Lines, RHD	Fig. 7 - 620

Grilles

Grille and Related Parts	Fig. 7 - 710
--------------------------------	--------------

<p>007-100 Radiator and Related Parts</p> 	<p>007-200 Water Pump and Related Parts</p> 	<p>007-300 Tank, Coolant Engine</p> 	<p>007-400 Pulleys and Related Parts</p> 
<p>007-500 Drive Belts</p> 	<p>007-600 Lines, Transmission Oil Cooler</p> 	<p>007-700 Grilles</p> 	

**Radiator and Related Parts, 4.0L Engine
Figure 7-120**



ITEM	PART NUMBER	QTY	LINE	SERIES	BODY	ENGINE	TRANS	TRIM	DESCRIPTION
------	-------------	-----	------	--------	------	--------	-------	------	-------------

Note: Sales Code ER0 = 4.0L Engine
 Note: Sales Code DGB = Manual Trans
 Note: Sales Code DG0 = All Auto Trans

1									RADIATOR, Engine Cooling Copper Brass Middle East
	52028133	1	J, T			ER0	DBB		
	52028537	1	B, U			ER0	DG0		
	52028544	1	B, U			ER0	DBB		
	52079682AE	1	J, T			ER0	DG0		Without Max Cooling
	52080104AC	1	J, T			ER0	DG0		With Max Cooling
	52080115AC	1	J, T			ER0	DBB		
2	J0687550	2				EN0, EP0, ER0			GROMMET, Radiator
3	11502722	2				EN0, ER0			NUT, Hex Flange, M5x.8
4	11503745	2				EN0, EP0, ER0			NUT, Hex, M6x1
5	52002585	2				EN0, EP0, ER0			ISOLATOR, Radiator
6	32002983	1				EP0, ER0			CLAMP, Hose, 32mm Black HOSE, Radiator
7									
	52006301	1	J, T			ER0			
	52029635	1	B, U			ER0			
8	06034927	1				EP0, ER0			SCREW AND WASHER, Hex Head, .312-18x.970
9	53020547AB	1				EP0, ER0			GASKET, Thermostat
10	53006192	1				EP0, ER0			HOUSING, Thermostat
11									SHROUD, Fan
	52027501AB	1	J, T			ER0			
	52028324	1	B, U			ER0			

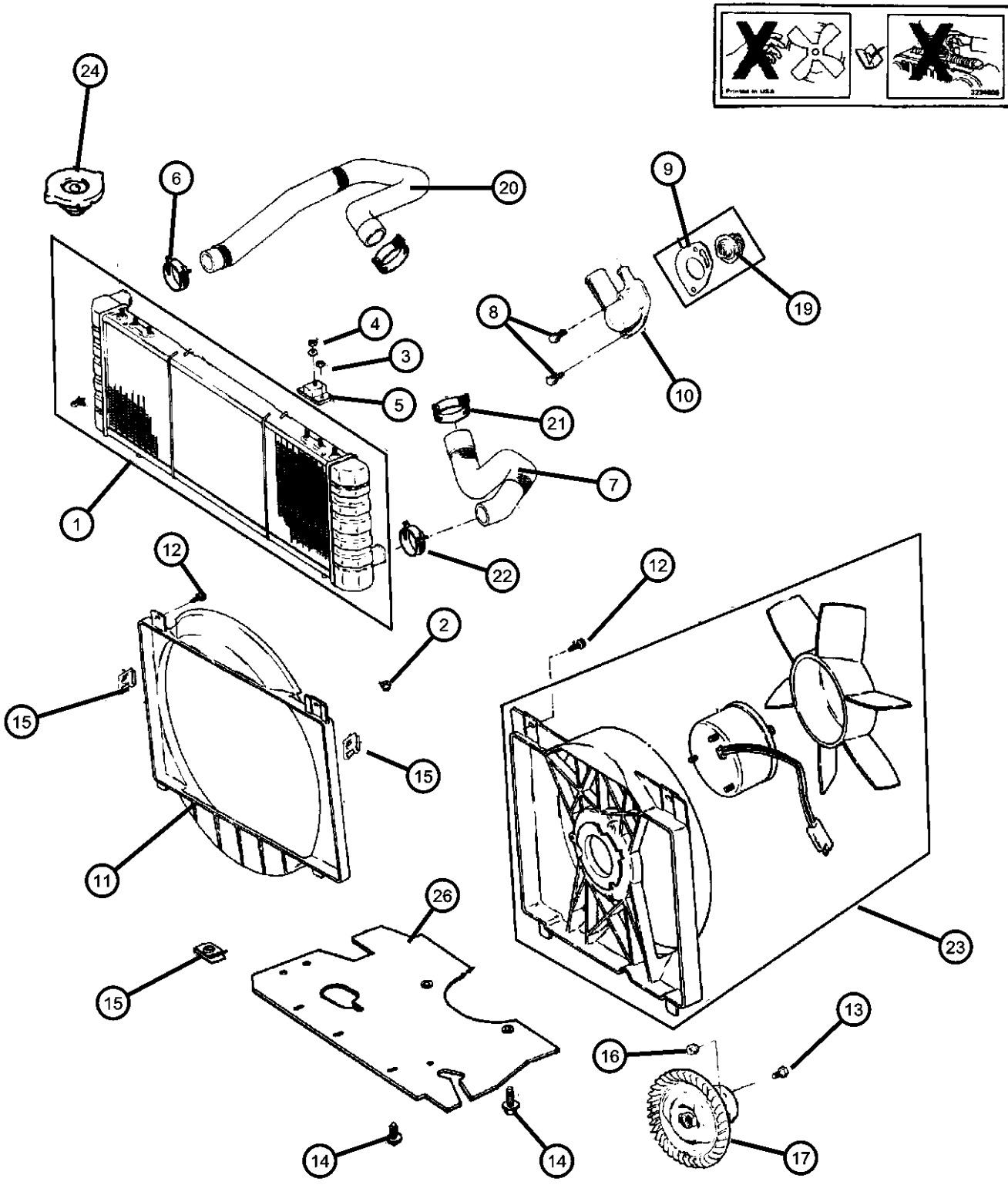
CHEROKEE (XJ)

SERIES	LINE	BODY	ENGINE	TRANSMISSION
H = Sport	T = JEEP - 2WD	74 = 4 Dr (101.4WB)	ENC = ENGINE - 2.5L 4 CYL TURBO DIESEL	DDD = TRANSMISSION - 5-SPEED HD MANUAL
L = SE	B = JEEP - 2WD (RHD)	72 = 2 Dr (101.4WB)	EPE = ENGINE - 2.5L POWER TECH I-4 Cyl.	DDQ = TRANSMISSION - 5-SPEED MANUAL
P = Classic	J = JEEP - 4WD		ERH = ENGINE - 4.0L POWER TECH I-6	DGD = TRANSMISSION - 3-SPD. AUTOMATIC,30RH
S = Limited	U = JEEP - 4WD (RHD)			DGK = TRANSMISSION - 4-SPD. AUTOMATIC,42RE
				DGS = TRANSMISSION-4SPD. AUTO,AISIN WARNER
				DGT = TRANSMISSION - 4-SPD. AUTOMATIC,46RE
				DGW = TRANSMISSION - 4-SPD. AUTOMATIC,44RE
				DGX = TRANSMISSION - 4-SPEED AUTOMATIC
				DBB = ALL MANUAL TRANSMISSIONS
				DGO = ALL AUTOMATIC TRANSMISSIONS

AR = use ase required - = Non illustrated part

2000 XJ

Radiator and Related Parts, 4.0L Engine
Figure 7-120



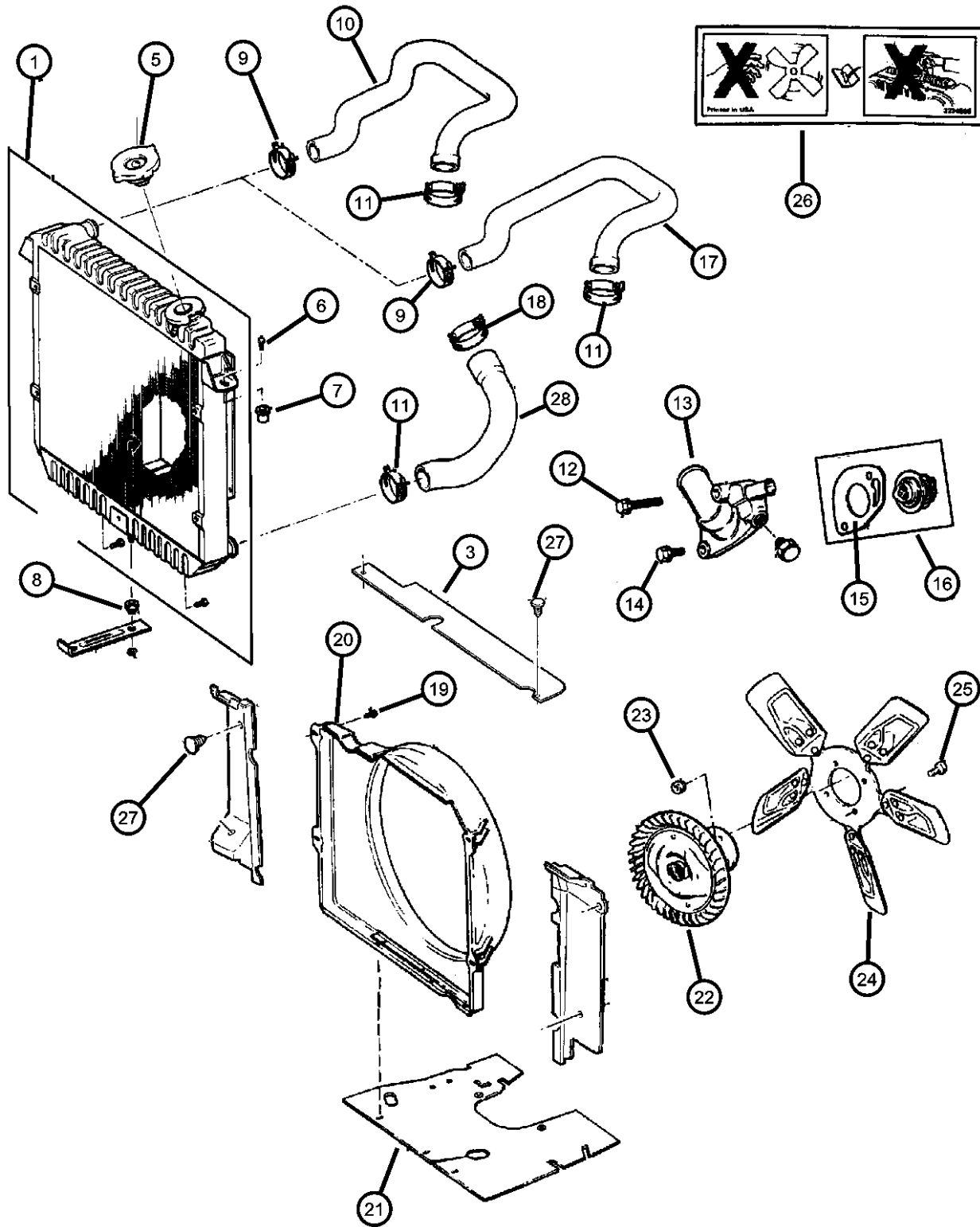
ITEM	PART NUMBER	QTY	LINE	SERIES	BODY	ENGINE	TRANS	TRIM	DESCRIPTION
12	52028324	1							SCREW, (NOT SERVICED)
13	06034860	4				EP0, ER0			BOLT AND WASHER, Implement Attaching
14	06030441	1							PIN, Retainer
15	06030441	1							NUT, U Type, M10 x 1.50, (NOT SERVICED)
16	06030441	1							NUT, (NOT SERVICED)
17	52079625	1				ER0			VISCOUS CLUTCH, Fan Drive
-18	52002593	1				ER0			FAN
19	52028186	1				EP0, ER0			THERMOSTAT, 195 Degrees
20	52028286AE	1				ER0			HOSE, Radiator Inlet
21	32002366	1				EP0, ER0			CLAMP, Hose, 55mm Black
22	32002366	1				EP0, ER0			CLAMP, Hose, 55mm Black
23									FAN MODULE, Radiator Cooling
	52028337AB	1	J, T			ER0			
	52028338AB	1	J			ER0			Middle East
	52028339AB	1	B, U			ER0			
24									CAP, Radiator
	03781830	1	J, T			ER0	DBB		
		1	J, T			ER0	DG0		
-25									DRAINCOCK, Radiator
	52028466	1	J, T			ER0	DG0		
		1	J, T			ER0	DBB		
26	55174736	1				EP0, ER0			SHIELD, Engine

CHEROKEE (XJ)

SERIES	LINE	BODY	ENGINE	TRANSMISSION
H = Sport	T = JEEP - 2WD	74 = 4 Dr (101.4WB)	ENC = ENGINE - 2.5L 4 CYL TURBO DIESEL	DDD = TRANSMISSION - 5-SPEED HD MANUAL
L = SE	B = JEEP - 2WD (RHD)	72 = 2 Dr (101.4WB)	EPE = ENGINE - 2.5L POWER TECH I-4 Cyl.	DDQ = TRANSMISSION - 5-SPEED MANUAL
P = Classic	J = JEEP - 4WD		ERH = ENGINE - 4.0L POWER TECH I-6	DGD = TRANSMISSION - 3-SPD. AUTOMATIC,30RH
S = Limited	U = JEEP - 4WD (RHD)			DGK = TRANSMISSION - 4-SPD. AUTOMATIC,42RE
				DGS = TRANSMISSION-4SPD. AUTO,AISIN WARNER
				DGT = TRANSMISSION - 4-SPD. AUTOMATIC,46RE
				DGW = TRANSMISSION - 4-SPD. AUTOMATIC,44RE
				DGX = TRANSMISSION - 4-SPEED AUTOMATIC
				DBB = ALL MANUAL TRANSMISSIONS
				DGO = ALL AUTOMATIC TRANSMISSIONS

AR = use ase required - = Non illustrated part

Radiator and Related Parts, 2.5L Gas Engine
Figure 7-130



ITEM	PART NUMBER	QTY	LINE	SERIES	BODY	ENGINE	TRANS	TRIM	DESCRIPTION
------	-------------	-----	------	--------	------	--------	-------	------	-------------

Note: Sales Code EP0 = 2.5L Gas Engine

Note: Sales Code DGB = Manual Trans

Note: Sales Code DG0 = All Auto Trans

Note: Sales Code EP0 = 2.5L Gas Engine

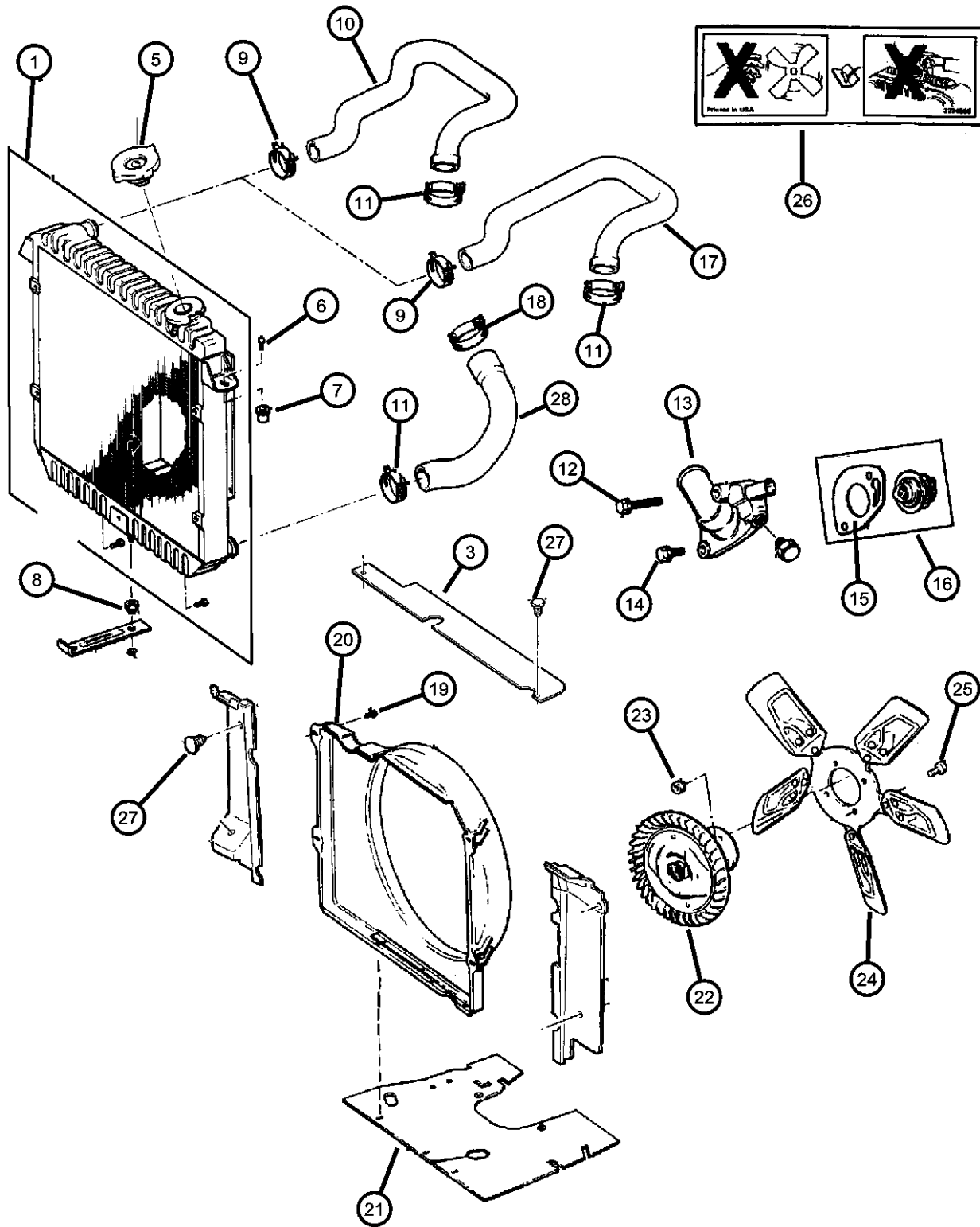
1	52079682AE	1	J, T			EP0	DG0		RADIATOR, Engine Cooling Without [ABD]
		1	J, T			ER0	DG0		
	52079693AD	1				EP0	DBB		
-2	52028516AE	1	J, T			EP0, ER0	DG0		COOLER, Auxiliary Oil
3	52028516AE	1							SEAL, Radiator Crossmember, (NOT REQUIRED)
-4	55235830AA	1				EN0, EP0, ER0			CROSSMEMBER, Radiator
5									CAP, Radiator
	52079880AA	1				EP0	DBB		
		1	J, T			EP0	DG0		
6	11502628	2					DGD		BOLT, Hex Flange Head, M8x1.25x30
7	11502628	2							NUT, Well, (NOT SERVICED)
8	J0687550	2				EN0, EP0, ER0			GROMMET, Radiator
9	32002983	1				EP0, ER0			CLAMP, Hose, 32mm Black
10	52003789AB	1				EP0			HOSE, Thermostat Outlet
11	52005580	1				EP0, ER0			CLAMP, Hose to Radiator
12	06034927	1				EP0, ER0			SCREW AND WASHER, Hex Head, .312-18x.970
13	53006192	1				EP0, ER0			HOUSING, Thermostat
14	06034927	1				EP0, ER0			SCREW AND WASHER, Hex Head, .312-18x.970

CHEROKEE (XJ)

SERIES	LINE	BODY	ENGINE	TRANSMISSION
H = Sport	T = JEEP - 2WD	74 = 4 Dr (101.4WB)	ENC = ENGINE - 2.5L 4 CYL TURBO DIESEL	DDD = TRANSMISSION - 5-SPEED HD MANUAL
L = SE	B = JEEP - 2WD (RHD)	72 = 2 Dr (101.4WB)	EPE = ENGINE - 2.5L POWER TECH I-4 Cyl.	DDQ = TRANSMISSION - 5-SPEED MANUAL
P = Classic	J = JEEP - 4WD		ERH = ENGINE - 4.0L POWER TECH I-6	DGD = TRANSMISSION - 3-SPD. AUTOMATIC,30RH
S = Limited	U = JEEP - 4WD (RHD)			DGK = TRANSMISSION - 4-SPD. AUTOMATIC,42RE
				DGS = TRANSMISSION-4SPD. AUTO,AISIN WARNER
				DGT = TRANSMISSION - 4-SPD. AUTOMATIC,46RE
				DGW = TRANSMISSION - 4-SPD. AUTOMATIC,44RE
				DGX = TRANSMISSION - 4-SPEED AUTOMATIC
				DBB = ALL MANUAL TRANSMISSIONS
				DGO = ALL AUTOMATIC TRANSMISSIONS

AR = use ase required - = Non illustrated part

Radiator and Related Parts, 2.5L Gas Engine
Figure 7-130



ITEM	PART NUMBER	QTY	LINE	SERIES	BODY	ENGINE	TRANS	TRIM	DESCRIPTION
15	53020547AB	1				EP0, ER0			GASKET, Thermostat
16	52028186	1				EP0, ER0			THERMOSTAT, 195 Degrees
17	52003789AB	1				EP0			HOSE, Thermostat Outlet
18	32002366	1				EP0, ER0			CLAMP, Hose, 55mm Black
19	00154552	3				EP0, ER0			SCREW, Hex Head, .190-16x.625
20	52079634AB	1				EP0			SHROUD, Fan
21	55174736	1				EP0, ER0			SHIELD, Engine
22									VISCOUS CLUTCH, Fan Drive
	52028428AB	1				EP0			w/o Air Conditioning
	52079684	1				EP0			w/Air Conditioning
23									NUT AND WASHER, Hex, .312-18
	00154591	4				EP0, ER0			
	06035051	2				EP0	DGD		
24	52028331	1				EP0			FAN, Cooling
25	06034860	4				EP0, ER0			BOLT AND WASHER, Implement Attaching
26	J3234806	1				ENC, EP0			LABEL, Fan Caution
27	06030441	14							PIN, Retainer
28	52003790AE	1				EP0			HOSE, Radiator To Pump
-29	52079661AB	1				EP0			FAN MODULE, Radiator Cooling
-30									DRAINCOCK, Radiator
	52028466	1	J, T			EP0	DG0		
		1				EP0	DBB		

CHEROKEE (XJ)

SERIES LINE
 H = Sport T = JEEP - 2WD
 L = SE B = JEEP - 2WD (RHD)
 P = Classic J = JEEP - 4WD
 S = Limited U = JEEP - 4WD (RHD)

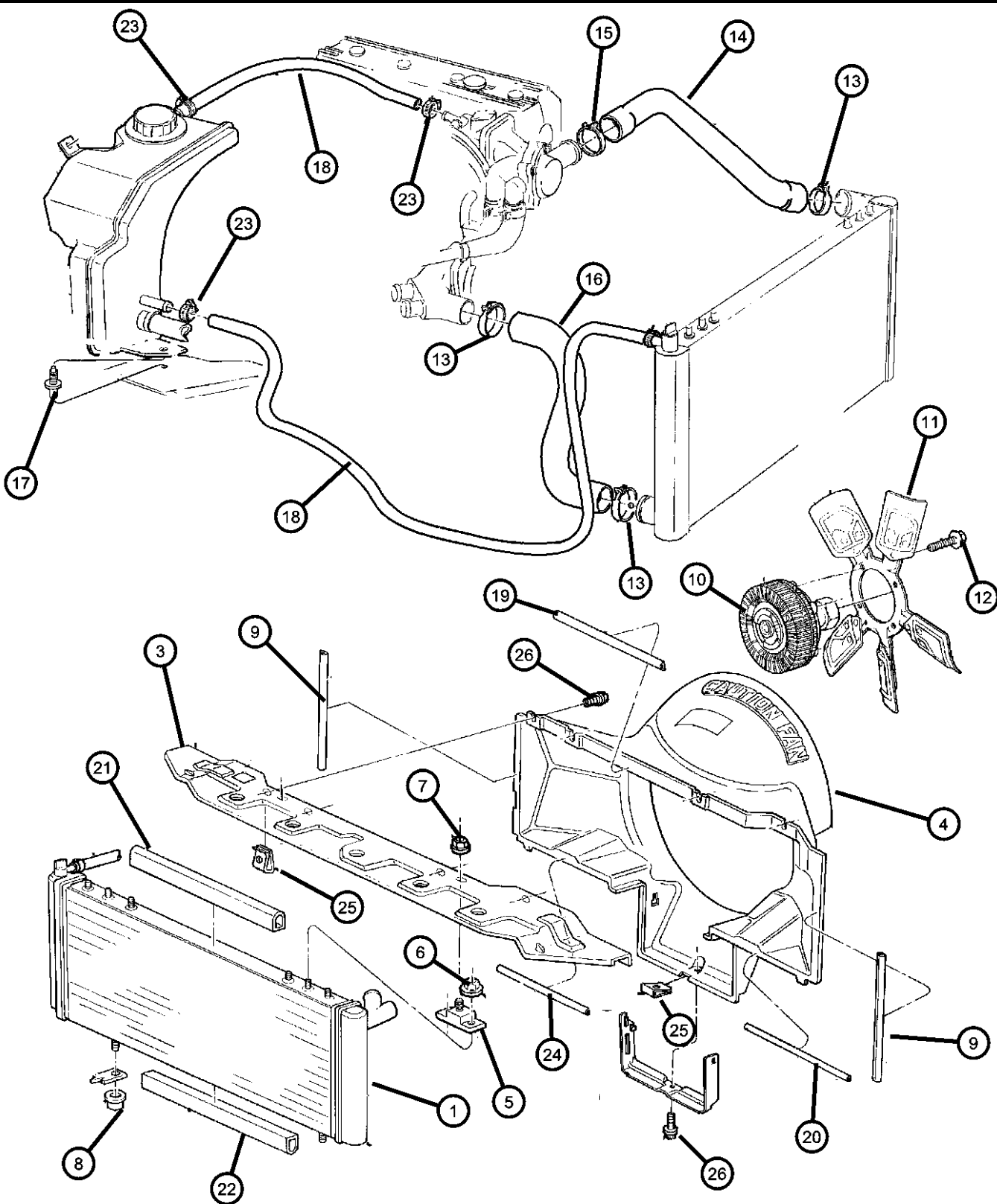
BODY
 74 = 4 Dr (101.4WB)
 72 = 2 Dr (101.4WB)

ENGINE
 ENC = ENGINE - 2.5L 4 CYL TURBO DIESEL
 EPE = ENGINE - 2.5L POWER TECH I-4 Cyl.
 ERH = ENGINE - 4.0L POWER TECH I-6

TRANSMISSION
 DDD = TRANSMISSION - 5-SPEED HD MANUAL
 DDQ = TRANSMISSION - 5-SPEED MANUAL
 DGD = TRANSMISSION - 3-SPD. AUTOMATIC,30RH
 DGK = TRANSMISSION - 4-SPD. AUTOMATIC,42RE
 DGS = TRANSMISSION-4SPD. AUTO,AISIN WARNER
 DGT = TRANSMISSION - 4-SPD. AUTOMATIC,46RE
 DGW = TRANSMISSION - 4-SPD. AUTOMATIC,44RE
 DGX = TRANSMISSION - 4-SPEED AUTOMATIC
 DBB = ALL MANUAL TRANSMISSIONS
 DGO = ALL AUTOMATIC TRANSMISSIONS

AR = use ase required - = Non illustrated part

Radiator and Related Parts, 2.5L Diesel Engine
Figure 7-145



ITEM	PART NUMBER	QTY	LINE	SERIES	BODY	ENGINE	TRANS	TRIM	DESCRIPTION
------	-------------	-----	------	--------	------	--------	-------	------	-------------

Note: Sales Code EN0 = 2.5L Diesel Engine

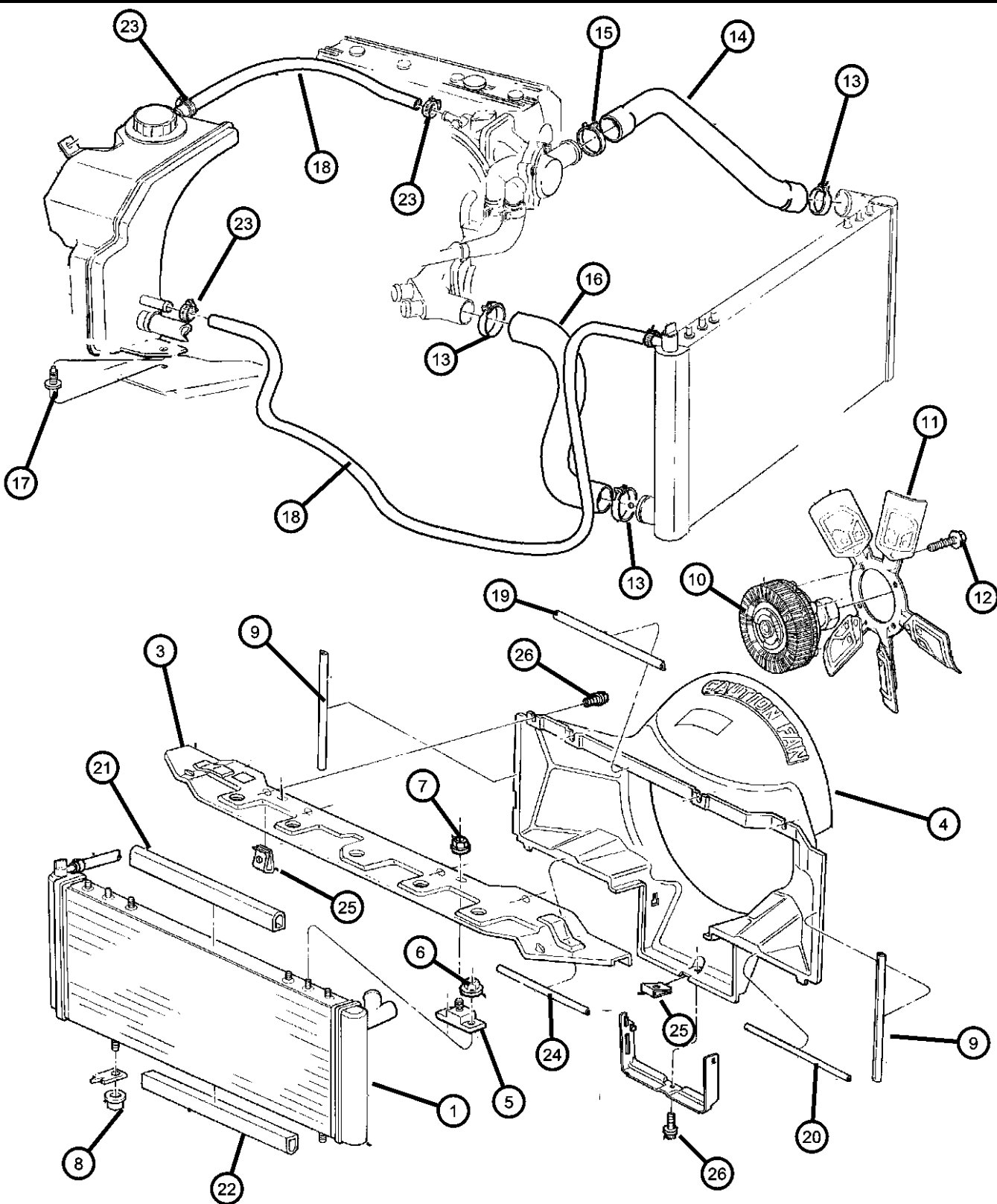
1	52029100	1				EN0			RADIATOR, Engine Cooling
-2	52028256	1				EN0	DD0		CAP, Radiator
3	55235830AA	1				EN0, EPO, ERO			CROSSMEMBER, Radiator
4	52079624AB	1				EN0			SHROUD, Fan
5	52002585	2				EN0, EPO, ERO			ISOLATOR, Radiator
6	11502722	4				EN0, EPO, ERO			NUT, Hex Flange, M5x.8
7	11503745	2				EN0, EPO, ERO			NUT, Hex, M6x1
8	J0687550	2				EN0, EPO, ERO			GROMMET, Radiator
9	52028230	2				EN0			SEAL, Radiator Shroud
10	52028370AC	1				EN0			DRIVE, Fan
11	52028200	1				EN0			FAN, Cooling
12	06034860	4				EN0			BOLT AND WASHER, Implement Attaching
13	06034860	4							CLAMP, Radiator, 55mm Silver, (NOT SERVICED)
14	52079690	1				EN0			HOSE, Radiator Inlet
15	32002983	1				EN0			CLAMP, Hose, 32mm Black
16	52028407AC	1				EN0			HOSE, Radiator Outlet
17	06032824	1				EN0			BOLT, Hex Flange Head, .25-14x.625
18	52079457	1				EN0			HOSE, Coolant Recovery Bottle
19	52028234	1				EN0			SEAL, Radiator ShroudUpper
20	52028216	1				EN0			SEAL, Radiator ShroudLower
21	52028238	1				EN0			SEAL, Crossmember

CHEROKEE (XJ)

SERIES	LINE	BODY	ENGINE	TRANSMISSION
H = Sport	T = JEEP - 2WD	74 = 4 Dr (101.4WB)	ENC = ENGINE - 2.5L 4 CYL TURBO DIESEL	DDD = TRANSMISSION - 5-SPEED HD MANUAL
L = SE	B = JEEP - 2WD (RHD)	72 = 2 Dr (101.4WB)	EPE = ENGINE - 2.5L POWER TECH I-4 Cyl.	DDQ = TRANSMISSION - 5-SPEED MANUAL
P = Classic	J = JEEP - 4WD		ERH = ENGINE - 4.0L POWER TECH I-6	DGD = TRANSMISSION - 3-SPD. AUTOMATIC,30RH
S = Limited	U = JEEP - 4WD (RHD)			DGK = TRANSMISSION - 4-SPD. AUTOMATIC,42RE
				DGS = TRANSMISSION-4SPD. AUTO,AISIN WARNER
				DGT = TRANSMISSION - 4-SPD. AUTOMATIC,46RE
				DGW = TRANSMISSION - 4-SPD. AUTOMATIC,44RE
				DGX = TRANSMISSION - 4-SPEED AUTOMATIC
				DBB = ALL MANUAL TRANSMISSIONS
				DGO = ALL AUTOMATIC TRANSMISSIONS

AR = use ase required - = Non illustrated part

Radiator and Related Parts, 2.5L Diesel Engine
Figure 7-145



ITEM	PART NUMBER	QTY	LINE	SERIES	BODY	ENGINE	TRANS	TRIM	DESCRIPTION
22	52028237	1				EN0			SEAL, Crossmember
23	06502081	1				EN0			CLAMP, Oil Cooler Line
24	52028223	1				EN0			SEAL, Radiator Shroud
25	06503998	5				EN0			NUT, U Multi Thread, M5 x .80
26	04886243AA	1				EN0			SCREW
-27	52079626AC	1				EN0			FAN MODULE, Radiator Cooling
-28	52079580	1				EN0	DD0		HOSE, Coolant Tank To Pump

CHEROKEE (XJ)

SERIES	LINE
H = Sport	T = JEEP - 2WD
L = SE	B = JEEP - 2WD (RHD)
P = Classic	J = JEEP - 4WD
S = Limited	U = JEEP - 4WD (RHD)

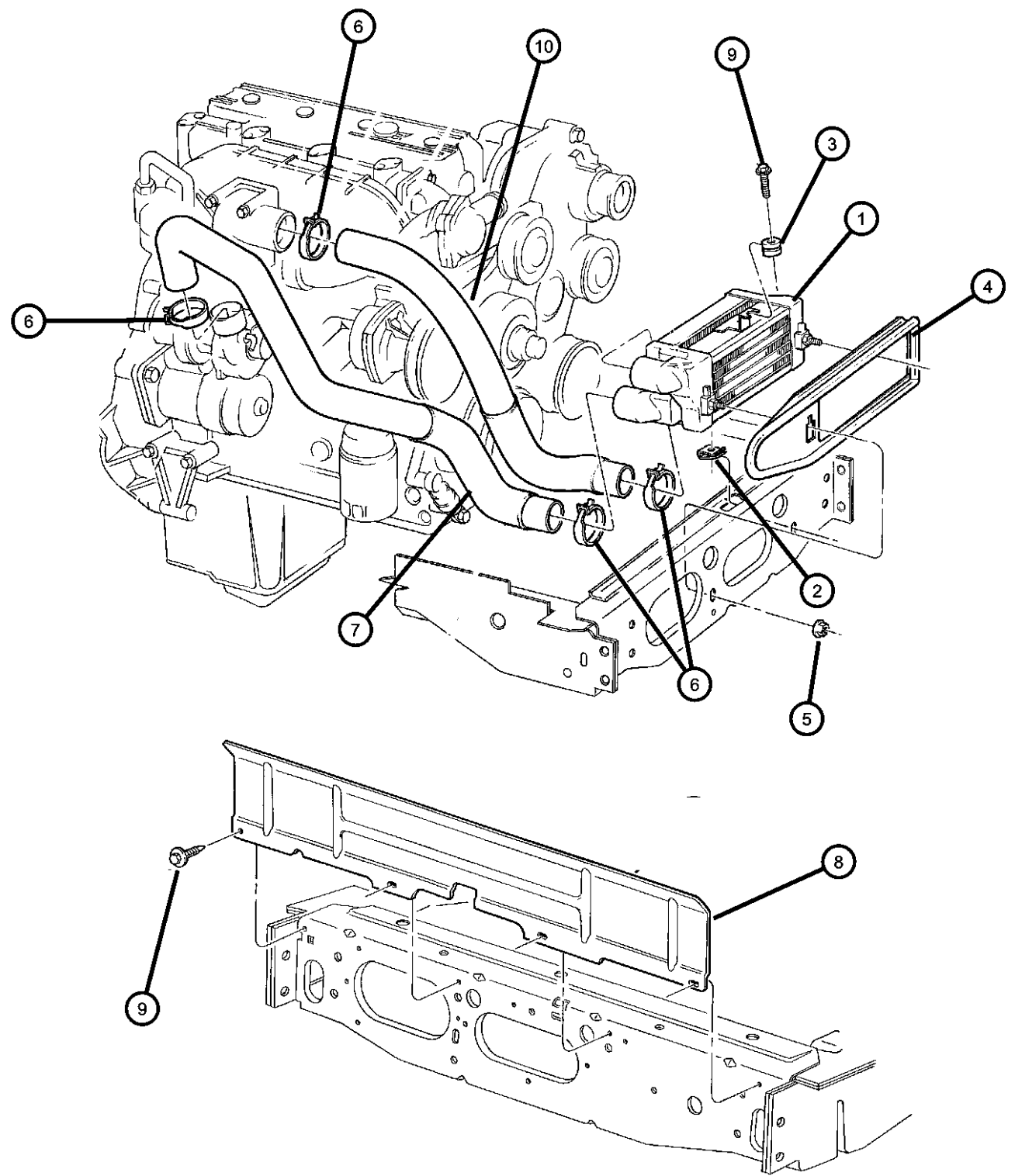
BODY
74 = 4 Dr (101.4WB)
72 = 2 Dr (101.4WB)

ENGINE
ENC = ENGINE - 2.5L 4 CYL TURBO DIESEL
EPE = ENGINE - 2.5L POWER TECH I-4 Cyl.
ERH = ENGINE - 4.0L POWER TECH I-6

TRANSMISSION
DDD = TRANSMISSION - 5-SPEED HD MANUAL
DDQ = TRANSMISSION - 5-SPEED MANUAL
DGD = TRANSMISSION - 3-SPD. AUTOMATIC,30RH
DGK = TRANSMISSION - 4-SPD. AUTOMATIC,42RE
DGS = TRANSMISSION-4SPD. AUTO,AISIN WARNER
DGT = TRANSMISSION - 4-SPD. AUTOMATIC,46RE
DGW = TRANSMISSION - 4-SPD. AUTOMATIC,44RE
DGX = TRANSMISSION - 4-SPEED AUTOMATIC
DBB = ALL MANUAL TRANSMISSIONS
DGO = ALL AUTOMATIC TRANSMISSIONS

AR = use ase required - = Non illustrated part

Charge Air Cooler, 2.5L Diesel Engine
Figure 7-147



ITEM	PART NUMBER	QTY	LINE	SERIES	BODY	ENGINE	TRANS	TRIM	DESCRIPTION
------	-------------	-----	------	--------	------	--------	-------	------	-------------

Note: Sales Code EN0 = 2.5L Diesel Engine

1	52028089	1				EN0			COOLER, Engine Oil
2	06101442	1				EN0			U-NUT, M6 x 1.00, M6x1.00
3	52028236	1				EN0			ISOLATOR
4	52028235	1				EN0			SEAL, Cooler
5	34201358	2							NUT AND WASHER, Hex Nut-Sealing Washer, M6 x 1.00
6	52028008	2				EN0			CLAMP, Hose, 64mm
7	52079581	1				EN0			HOSE, Charge Air Cooler
8	52028374	1				EN0			DEFLECTOR, Air
9	52028374	1							SCREW, (NOT SERVICED)
10	52079496	1				EN0			HOSE, Charge Air Cooler

CHEROKEE (XJ)

SERIES	LINE	BODY	ENGINE	TRANSMISSION
H = Sport	T = JEEP - 2WD	74 = 4 Dr (101.4WB)	ENC = ENGINE - 2.5L 4 CYL TURBO DIESEL	DDD = TRANSMISSION - 5-SPEED HD MANUAL
L = SE	B = JEEP - 2WD (RHD)	72 = 2 Dr (101.4WB)	EPE = ENGINE - 2.5L POWER TECH I-4 Cyl.	DDQ = TRANSMISSION - 5-SPEED MANUAL
P = Classic	J = JEEP - 4WD		ERH = ENGINE - 4.0L POWER TECH I-6	DGD = TRANSMISSION - 3-SPD. AUTOMATIC,30RH
S = Limited	U = JEEP - 4WD (RHD)			DGK = TRANSMISSION - 4-SPD. AUTOMATIC,42RE
				DGS = TRANSMISSION-4SPD. AUTO,AISIN WARNER
				DGT = TRANSMISSION - 4-SPD. AUTOMATIC,46RE
				DGW = TRANSMISSION - 4-SPD. AUTOMATIC,44RE
				DGX = TRANSMISSION - 4-SPEED AUTOMATIC
				DBB = ALL MANUAL TRANSMISSIONS
				DGO = ALL AUTOMATIC TRANSMISSIONS

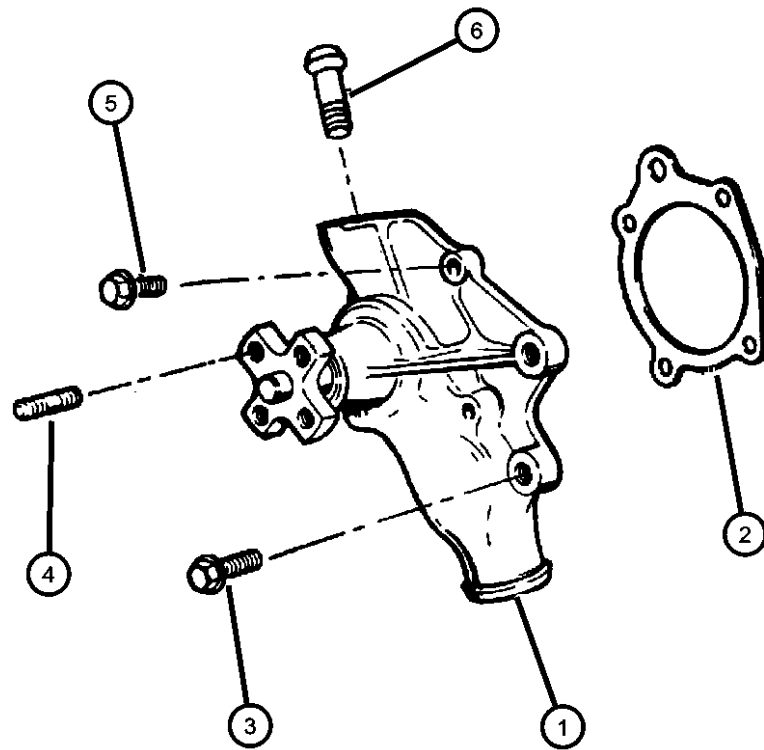
AR = use ase required - = Non illustrated part

Water Pump and Related Parts, 2.5,4.0L Gas Engines
Figure 7-210

ITEM	PART NUMBER	QTY	LINE	SERIES	BODY	ENGINE	TRANS	TRIM	DESCRIPTION
------	-------------	-----	------	--------	------	--------	-------	------	-------------

Note: Sales Code EP0 = 2.5L Gas Engine
 Note: Sales Code ER0 = 4.0L Engine

1									PUMP PACKAGE, Water
	04626054AD	1				EP0			
	04626215AD	1				ER0			
2	53010419	1				EP0, ER0			GASKET, Water Pump
3	53010419	1							SCREW AND WASHER, Hex Head, .312-18x1.75, (NOT SERVICED)
4	06100293	4				ER0			BOLT AND CONED WASHER, Hex Head, M8x14x17
5	06100293	4							SCREW AND WASHER, Hex Head, .312-18x1.12, (NOT SERVICED)
6	53007978	1				EP0, ER0			TUBE, Water Pump Heater Return



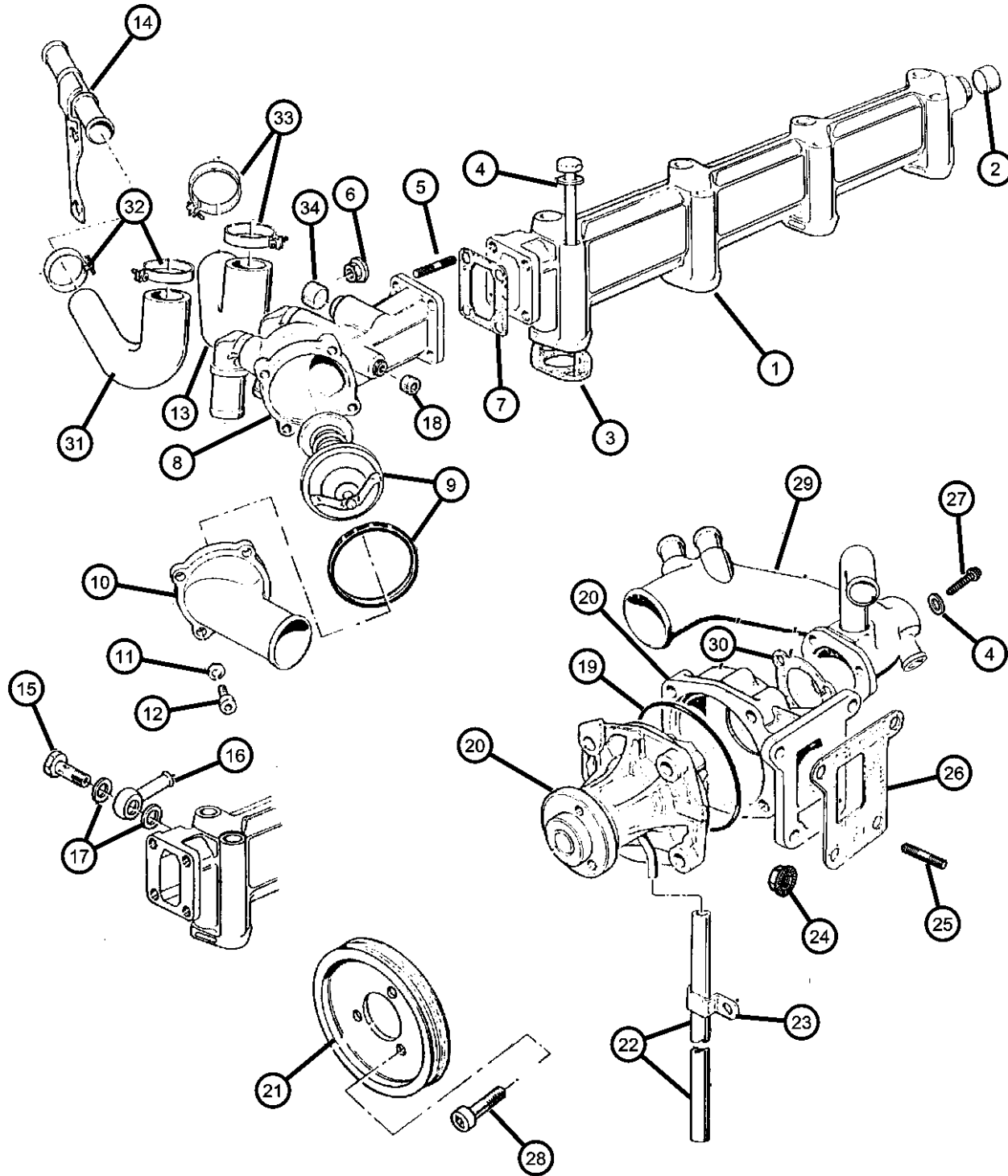
CHEROKEE (XJ)

SERIES	LINE	BODY	ENGINE	TRANSMISSION
H = Sport	T = JEEP - 2WD	74 = 4 Dr (101.4WB)	ENC = ENGINE - 2.5L 4 CYL TURBO DIESEL	DDD = TRANSMISSION - 5-SPEED HD MANUAL
L = SE	B = JEEP - 2WD (RHD)	72 = 2 Dr (101.4WB)	EPE = ENGINE - 2.5L POWER TECH I-4 Cyl.	DDQ = TRANSMISSION - 5-SPEED MANUAL
P = Classic	J = JEEP - 4WD		ERH = ENGINE - 4.0L POWER TECH I-6	DGD = TRANSMISSION - 3-SPD. AUTOMATIC,30RH
S = Limited	U = JEEP - 4WD (RHD)			DGK = TRANSMISSION - 4-SPD. AUTOMATIC,42RE
				DGS = TRANSMISSION-4SPD. AUTO,AISIN WARNER
				DGT = TRANSMISSION - 4-SPD. AUTOMATIC,46RE
				DGW = TRANSMISSION - 4-SPD. AUTOMATIC,44RE
				DGX = TRANSMISSION - 4-SPEED AUTOMATIC
				DBB = ALL MANUAL TRANSMISSIONS
				DGO = ALL AUTOMATIC TRANSMISSIONS

AR = use ase required - = Non illustrated part

2000 XJ

Water Pump and Water Manifold, 2.5L Diesel Engine
Figure 7-215



ITEM	PART NUMBER	QTY	LINE	SERIES	BODY	ENGINE	TRANS	TRIM	DESCRIPTION
------	-------------	-----	------	--------	------	--------	-------	------	-------------

Note: Sales Code EN0 = 2.5L Diesel Engine

1	04797748	1				EN0			MANIFOLD, Water
2	04864753	1				EN0			PLUG
3	04720450	4				EN0			GASKET, Water Manifold
4	04720305	2				EN0			WASHER, Plain
5	04797764	4				EN0			STUD, M6x14
6	04778936	4				EN0			NUT, Suction Pipe Attaching
7	04778971	1				EN0			GASKET, Thermostat
8	04778974AB	1				EN0			HOUSING, Thermostat
9	04778975	1				EN0			THERMOSTAT
10	04778976	1				EN0			COVER, Thermostat Housing
11	04720305	2				EN0			WASHER, Plain
12	04720658	4				EN0			SCREW, Intake Manifold Elbow
13	04778977	1				EN0			HOSE, Water Pump Bypass
14	04778980	1				EN0			TUBE, Heater Feed
15	04720358	5				EN0			BOLT, Banjo
16	04797755	1				EN0			BANJO, Air Bleed
17	04720554	10				EN0			WASHER, Banjo
18	04720554	10							PLUG, Water Manifold, (NOT SERVICED)
19	04723198	1				EN0			O RING, Water Pump
20	04864566	1				EN0			PUMP, Water
21	04864567	1				EN0			PULLEY, Water Pump
22	04720438	1				EN0			PIPE, Water Pump Drain
23	04720446	1				EN0			CLIP, Drain Pipe
24	04778961	3				EN0			NUT

CHEROKEE (XJ)

SERIES	LINE
H = Sport	T = JEEP - 2WD
L = SE	B = JEEP - 2WD (RHD)
P = Classic	J = JEEP - 4WD
S = Limited	U = JEEP - 4WD (RHD)

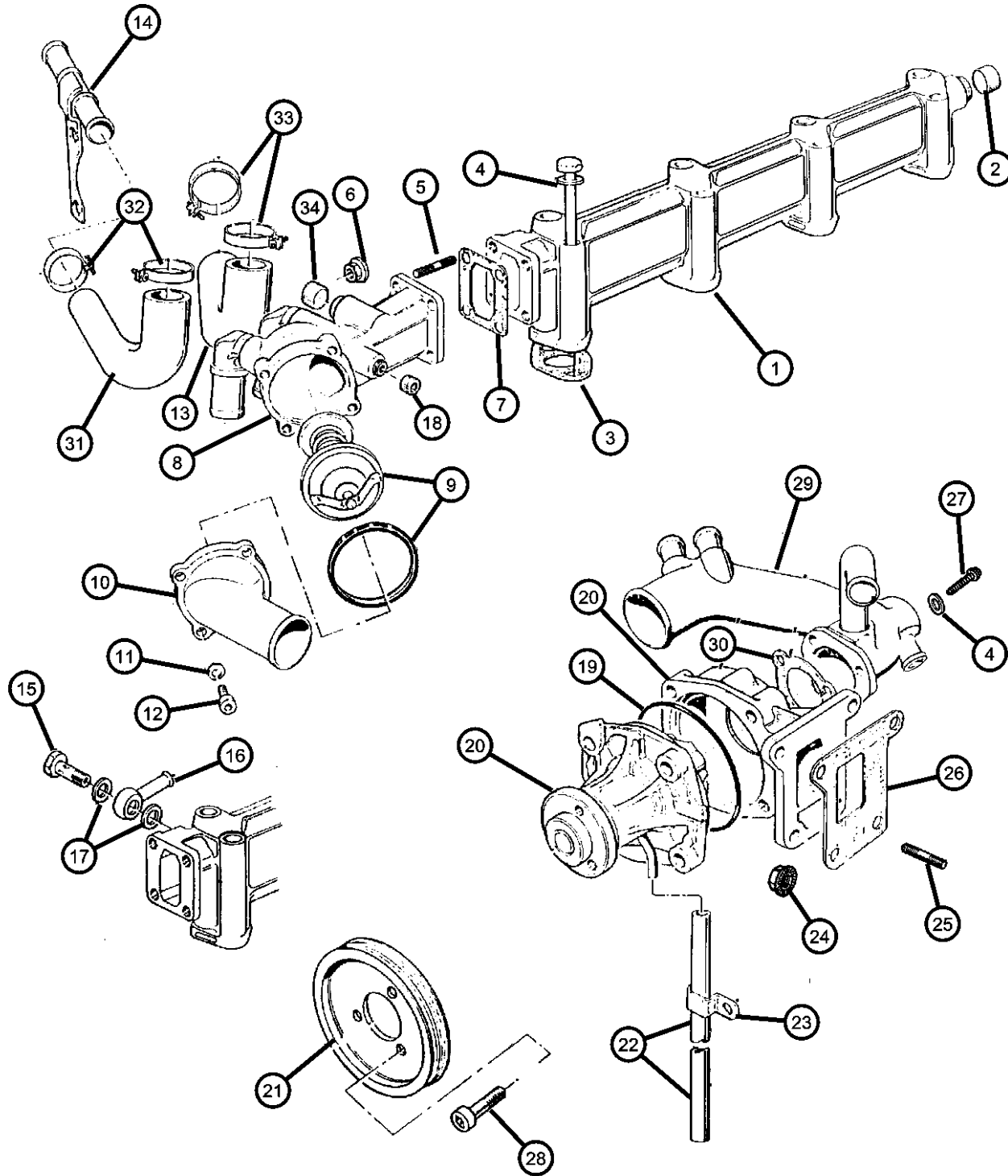
BODY
74 = 4 Dr (101.4WB)
72 = 2 Dr (101.4WB)

ENGINE	TRANSMISSION
ENC = ENGINE - 2.5L 4 CYL TURBO DIESEL	DDD = TRANSMISSION - 5-SPEED HD MANUAL
EPE = ENGINE - 2.5L POWER TECH I-4 Cyl.	DDQ = TRANSMISSION - 5-SPEED MANUAL
ERH = ENGINE - 4.0L POWER TECH I-6	DGD = TRANSMISSION - 3-SPD. AUTOMATIC,30RH
	DGK = TRANSMISSION - 4-SPD. AUTOMATIC,42RE
	DGS = TRANSMISSION-4SPD. AUTO,AISIN WARNER
	DGT = TRANSMISSION - 4-SPD. AUTOMATIC,46RE
	DGW = TRANSMISSION - 4-SPD. AUTOMATIC,44RE
	DGX = TRANSMISSION - 4-SPEED AUTOMATIC
	DBB = ALL MANUAL TRANSMISSIONS
	DGO = ALL AUTOMATIC TRANSMISSIONS

AR = use ase required - = Non illustrated part

2000 XJ

Water Pump and Water Manifold, 2.5L Diesel Engine
Figure 7-215



ITEM	PART NUMBER	QTY	LINE	SERIES	BODY	ENGINE	TRANS	TRIM	DESCRIPTION
25	04720550	4				EN0			STUD, Water Pump To Block
26	04864575	1				EN0			GASKET, Water Pump
27	04864575	1							SCREW, Water Pump To Pipe, (NOT SERVICED)
28	05003554AA	3				EN0			SCREW
29	05003554AA	3							ADAPTER, Water Return To Pump, (NOT REQUIRED)
30	04864575	1				EN0			GASKET, Water Pump
31	04864575	1							HOSE, Heater Feed, (NOT REQUIRED)
32	04883924AA	1				EN0			CLAMP, Heater Hose
33	04883924AA	1							CLAMP, Heater Hose, (NOT SERVICED)
34	04883924AA	1							PLUG, Water Manifold, (NOT SERVICED)

CHEROKEE (XJ)

SERIES	LINE	BODY
H = Sport	T = JEEP - 2WD	74 = 4 Dr (101.4WB)
L = SE	B = JEEP - 2WD (RHD)	72 = 2 Dr (101.4WB)
P = Classic	J = JEEP - 4WD	
S = Limited	U = JEEP - 4WD (RHD)	

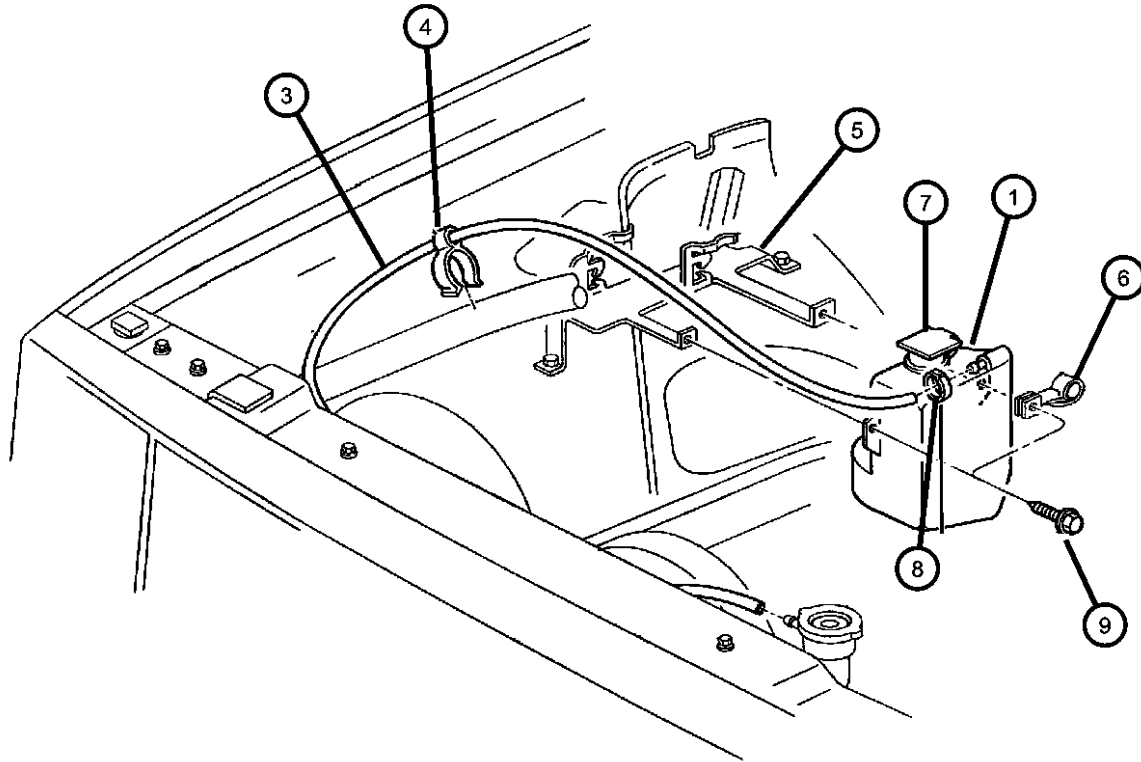
ENGINE
ENC = ENGINE - 2.5L 4 CYL TURBO DIESEL
EPE = ENGINE - 2.5L POWER TECH I-4 Cyl.
ERH = ENGINE - 4.0L POWER TECH I-6

TRANSMISSION
DDD = TRANSMISSION - 5-SPEED HD MANUAL
DDQ = TRANSMISSION - 5-SPEED MANUAL
DGD = TRANSMISSION - 3-SPD. AUTOMATIC,30RH
DGK = TRANSMISSION - 4-SPD. AUTOMATIC,42RE
DGS = TRANSMISSION-4SPD. AUTO,AISIN WARNER
DGT = TRANSMISSION - 4-SPD. AUTOMATIC,46RE
DGW = TRANSMISSION - 4-SPD. AUTOMATIC,44RE
DGX = TRANSMISSION - 4-SPEED AUTOMATIC
DBB = ALL MANUAL TRANSMISSIONS
DGO = ALL AUTOMATIC TRANSMISSIONS

AR = use ase required - = Non illustrated part

Bottle, Coolant Recovery, LHD
Figure 7-305

ITEM	PART NUMBER	QTY	LINE	SERIES	BODY	ENGINE	TRANS	TRIM	DESCRIPTION
Note: Sales Code EN0 = 2.5L Diesel Engine									
Note: Sales Code EP0 = 2.5L Gas Engine									
Note: Sales Code ER0 = 4.0L Engine									
1	52027984	1				EP0, ER0			TANK, Coolant Reserve
-2	52079493AC	1				EN0	DD0		BOTTLE, Degasser
3									HOSE, Coolant Reserve Tank
	04026148	1	J, T			ER0			
		1	B, U			ER0			
4									CLIP, Hose
	06034648	2				EP0			
	52007404	1				ER0			
5	56008885	1	J, T			EP0, ER0			BRACKET, Power Distribution Center
6									CLIP, Cable
	06025867	1	J, T			EPE, ER0			
		1	B, U			EPE, ER0			
7	52079331	1				EP0, ER0			CAP, Coolant Reserve Tank
8	02448761	1	J, T			EP0			CLAMP, Hose
9	02448761	1							SCREW, (NOT SERVICED)



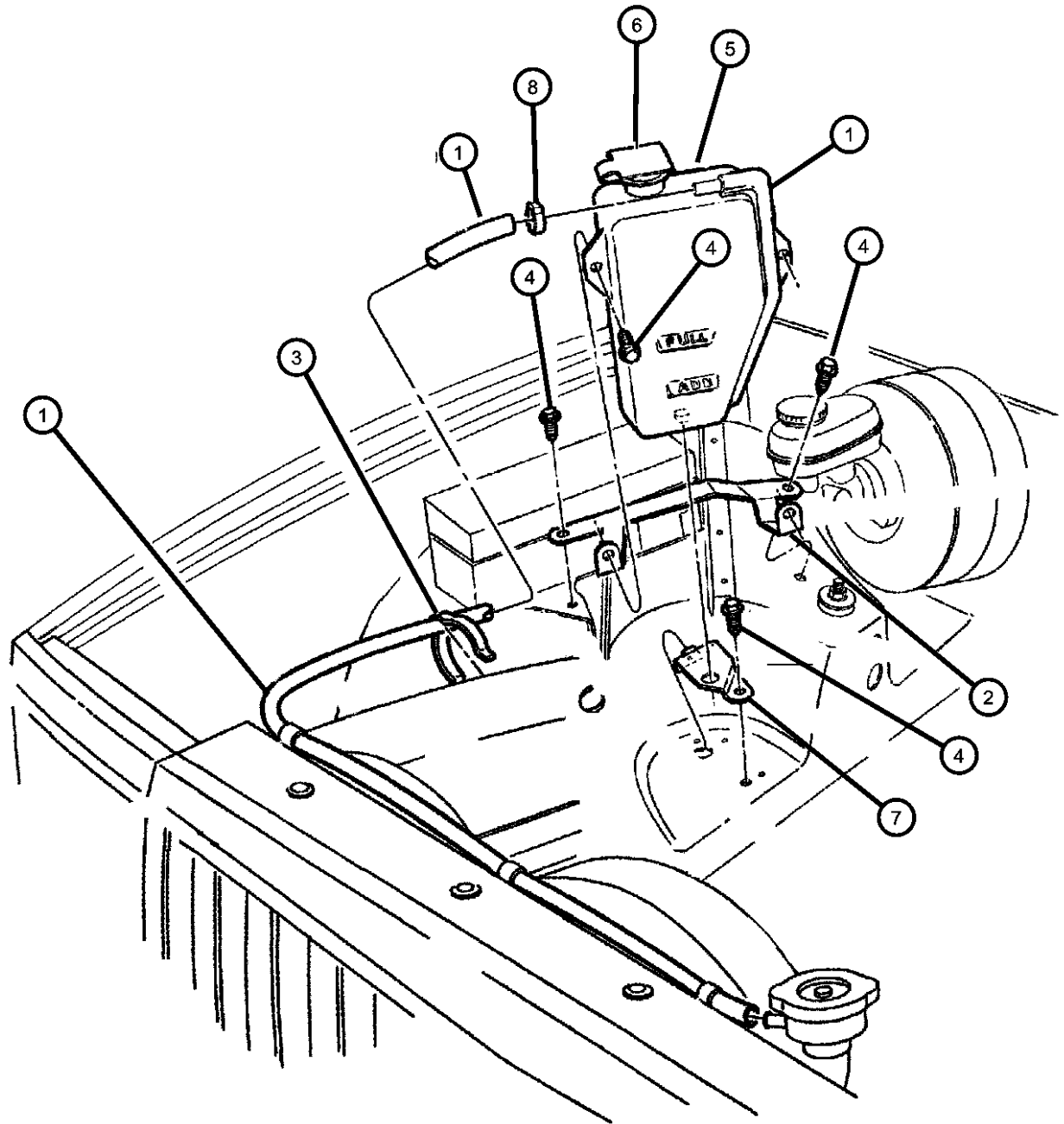
CHEROKEE (XJ)

SERIES	LINE	BODY	ENGINE	TRANSMISSION
H = Sport	T = JEEP - 2WD	74 = 4 Dr (101.4WB)	ENC = ENGINE - 2.5L 4 CYL TURBO DIESEL	DDD = TRANSMISSION - 5-SPEED HD MANUAL
L = SE	B = JEEP - 2WD (RHD)	72 = 2 Dr (101.4WB)	EPE = ENGINE - 2.5L POWER TECH I-4 Cyl.	DDQ = TRANSMISSION - 5-SPEED MANUAL
P = Classic	J = JEEP - 4WD		ERH = ENGINE - 4.0L POWER TECH I-6	DGD = TRANSMISSION - 3-SPD. AUTOMATIC,30RH
S = Limited	U = JEEP - 4WD (RHD)			DGK = TRANSMISSION - 4-SPD. AUTOMATIC,42RE
				DGS = TRANSMISSION-4SPD. AUTO,AISIN WARNER
				DGT = TRANSMISSION - 4-SPD. AUTOMATIC,46RE
				DGW = TRANSMISSION - 4-SPD. AUTOMATIC,44RE
				DGX = TRANSMISSION - 4-SPEED AUTOMATIC
				DBB = ALL MANUAL TRANSMISSIONS
				DGO = ALL AUTOMATIC TRANSMISSIONS

AR = use ase required - = Non illustrated part

2000 XJ

Bottle, Coolant Recovery, RHD
Figure 7-310



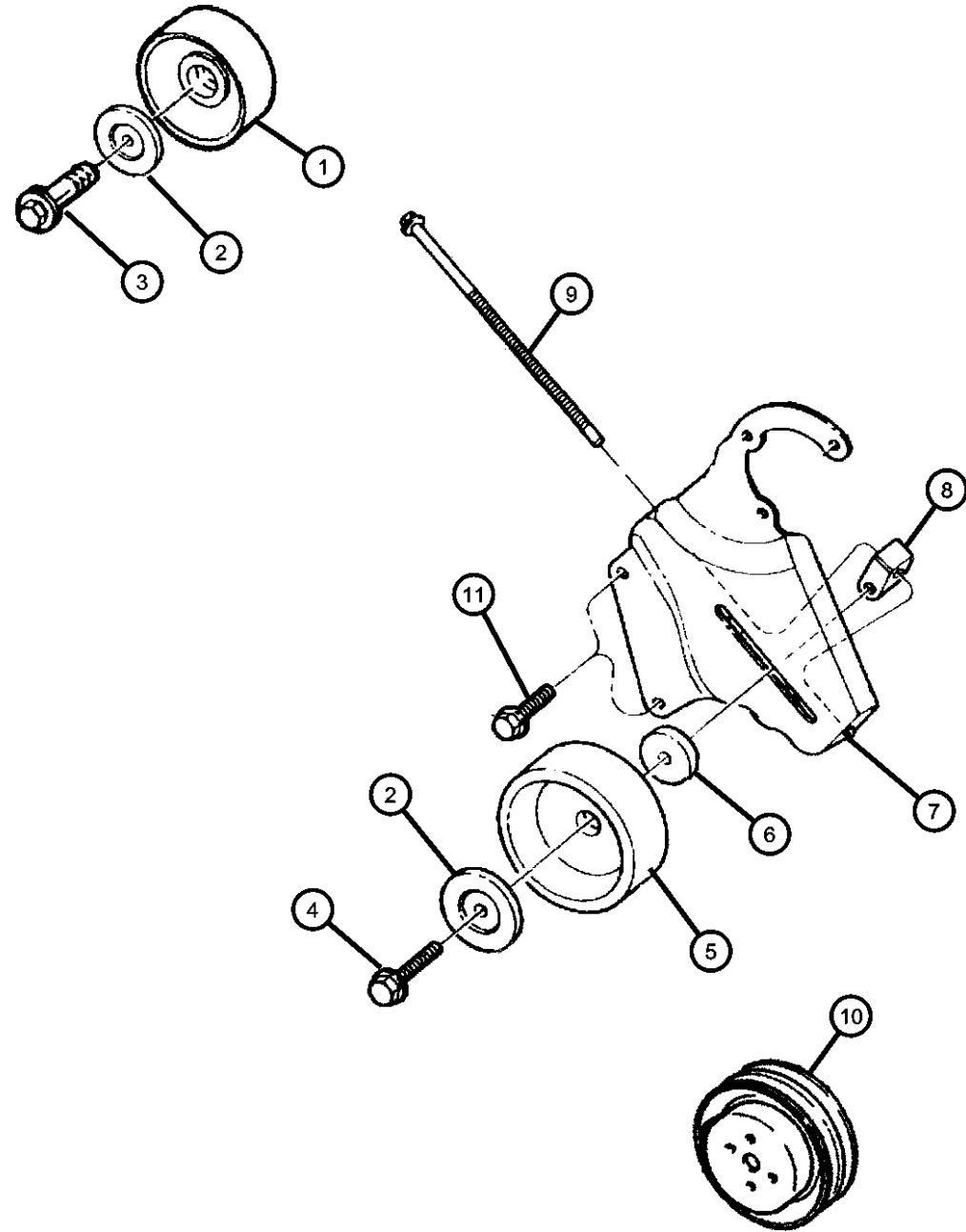
ITEM	PART NUMBER	QTY	LINE	SERIES	BODY	ENGINE	TRANS	TRIM	DESCRIPTION
Note: Sales Code EN0 = 2.5L Diesel Engine									
Note: Sales Code EP0 = 2.5L Gas Engine									
Note: Sales Code ER0 = 4.0L Engine									
1	04026148	1	B, U			ER0			HOSE, Coolant Reserve Tank
2	52028346	1	B, U			EP0, ER0			BRACKET, Coolant Recovery Bottle
3	52007404	1				ER0			CLIP, Hose
4	06100557	1	B, U			EPE, ER0			BOLT AND CONED WASHER, Hex Head, M6x20x14
5	52027984	1				EP0, ER0			TANK, Coolant Reserve
6	52079331	1				EP0, ER0			CAP, Coolant Reserve Tank
7	52028347	1	B, U			EP0, ER0			BRACKET, Coolant Recovery Bottle
8	02448761	2	B, U			EP0			CLAMP, Hose

CHEROKEE (XJ)

SERIES	LINE	BODY	ENGINE	TRANSMISSION
H = Sport	T = JEEP - 2WD	74 = 4 Dr (101.4WB)	ENC = ENGINE - 2.5L 4 CYL TURBO DIESEL	DDD = TRANSMISSION - 5-SPEED HD MANUAL
L = SE	B = JEEP - 2WD (RHD)	72 = 2 Dr (101.4WB)	EPE = ENGINE - 2.5L POWER TECH I-4 Cyl.	DDQ = TRANSMISSION - 5-SPEED MANUAL
P = Classic	J = JEEP - 4WD		ERH = ENGINE - 4.0L POWER TECH I-6	DGD = TRANSMISSION - 3-SPD. AUTOMATIC,30RH
S = Limited	U = JEEP - 4WD (RHD)			DGK = TRANSMISSION - 4-SPD. AUTOMATIC,42RE
				DGS = TRANSMISSION-4SPD. AUTO,AISIN WARNER
				DGT = TRANSMISSION - 4-SPD. AUTOMATIC,46RE
				DGW = TRANSMISSION - 4-SPD. AUTOMATIC,44RE
				DGX = TRANSMISSION - 4-SPEED AUTOMATIC
				DBB = ALL MANUAL TRANSMISSIONS
				DGO = ALL AUTOMATIC TRANSMISSIONS

AR = use ase required - = Non illustrated part

Drive Pulleys, 2.5L Gas Engine
Figure 7-407



ITEM	PART NUMBER	QTY	LINE	SERIES	BODY	ENGINE	TRANS	TRIM	DESCRIPTION
Note: Sales Code EP0 = 2.5L Gas Engine									
1	53010230	1				EP0			PULLEY, Idler
2	33002201	1				EP0			BUSHING, Idler Pulley
3	06504239	1				EP0			SCREW AND WASHER, M10x1.5x40
4	34202029	1				EP0			BOLT, Hex Flange Head, M10x1.50x50
5									PULLEY, Idler
	04792112	1	J, T			EP0, ER0			
		1	B, U			EP0			
6									SPACER, Belt Tensioner
	06503230	1	J, T			EP0, ER0			
		1	B, U			EP0			
7	53010148	1				EP0			BRACKET, Tensioner
8	53010149	1				EP0			COLLAR, Tensioner Adjustment
9	06503198	1				EP0			BOLT
10									PULLEY, Water Pump
	53007154	1	J, T			EP0			
		1	B, U			EP0			
11		1							SCREW, (NOT SERVICED)

CHEROKEE (XJ)

SERIES	LINE
H = Sport	T = JEEP - 2WD
L = SE	B = JEEP - 2WD (RHD)
P = Classic	J = JEEP - 4WD
S = Limited	U = JEEP - 4WD (RHD)

BODY
74 = 4 Dr (101.4WB)
72 = 2 Dr (101.4WB)

ENGINE
ENC = ENGINE - 2.5L 4 CYL TURBO DIESEL
EPE = ENGINE - 2.5L POWER TECH I-4 Cyl.
ERH = ENGINE - 4.0L POWER TECH I-6

TRANSMISSION
DDD = TRANSMISSION - 5-SPEED HD MANUAL
DDQ = TRANSMISSION - 5-SPEED MANUAL
DGD = TRANSMISSION - 3-SPD. AUTOMATIC,30RH
DGK = TRANSMISSION - 4-SPD. AUTOMATIC,42RE
DGS = TRANSMISSION-4SPD. AUTO,AISIN WARNER
DGT = TRANSMISSION - 4-SPD. AUTOMATIC,46RE
DGW = TRANSMISSION - 4-SPD. AUTOMATIC,44RE
DGX = TRANSMISSION - 4-SPEED AUTOMATIC
DBB = ALL MANUAL TRANSMISSIONS
DGO = ALL AUTOMATIC TRANSMISSIONS

AR = use ase required - = Non illustrated part

2000 XJ

Drive Pulleys, 4.0L Engine, LHD
Figure 7-408

ITEM	PART NUMBER	QTY	LINE	SERIES	BODY	ENGINE	TRANS	TRIM	DESCRIPTION
------	-------------	-----	------	--------	------	--------	-------	------	-------------

Note: Sales Code ER0 = 4.0L Engine

1	53006551	1	J, T			ER0			BRACKET, Idler Pulley
2	53002903	1				ER0			PULLEY, Idler
3	33002201	1				EP0			BUSHING, Idler Pulley
4	06504239	1	J, T			ER0			SCREW AND WASHER, M10x1.5x40
5	34202029	1	J, T			ER0			BOLT, Hex Flange Head, M10x1.50x50
6	04792112	1	J, T			EP0, ER0			PULLEY, Idler
7	06503230	1	J, T			EP0, ER0			SPACER, Belt Tensioner
8	06503198	1	J, T			ER0			BOLT
9	53010149	1	J, T			ER0			COLLAR, Tensioner Adjustment
10	53010148	1	J, T			ER0			BRACKET, Tensioner
11	53002907	1	J, T			ER0			PULLEY, Water Pump
-12	53010309	1	J, T			ER0			PULLEY, Fan
13	53010309	1							SCREW, (NOT SERVICED)

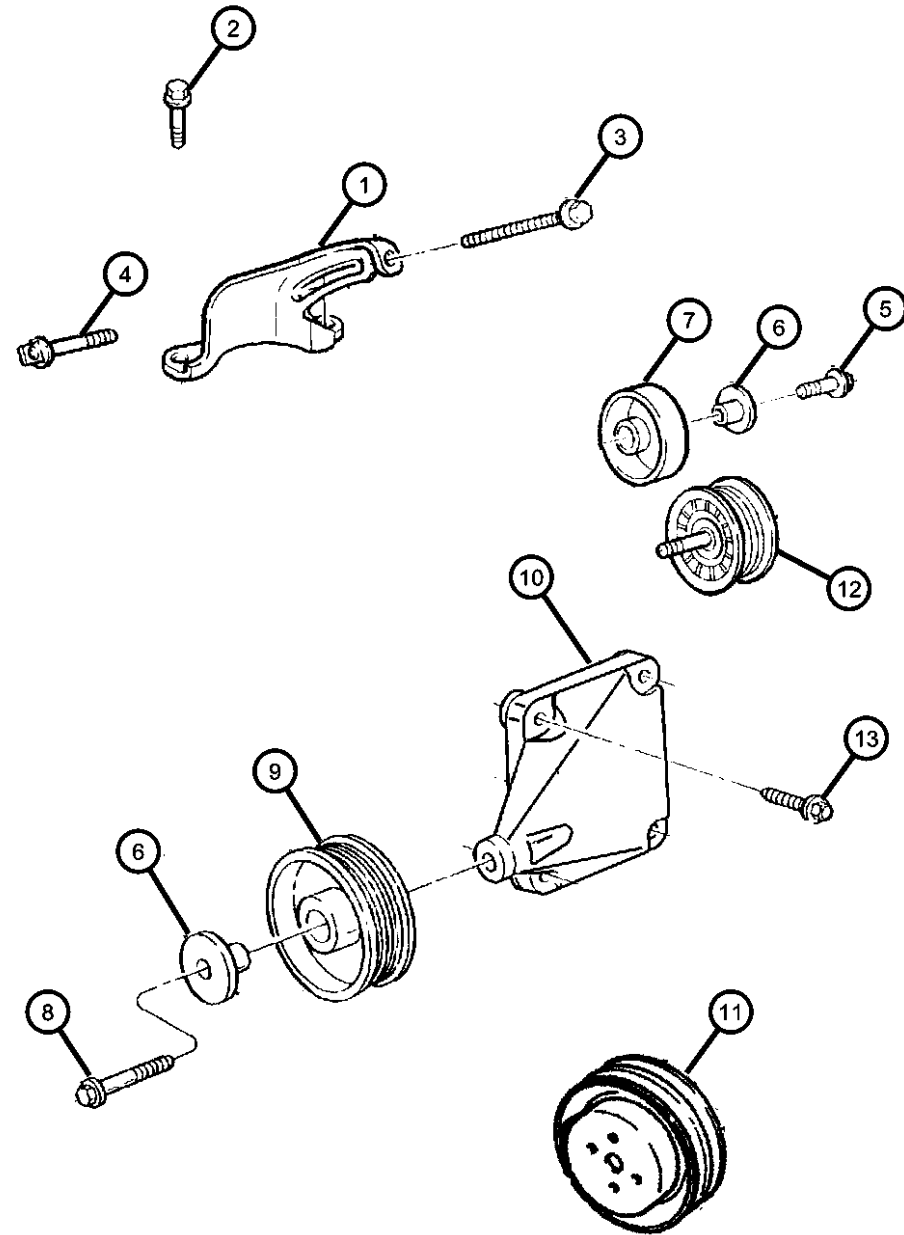
CHEROKEE (XJ)

SERIES	LINE	BODY	ENGINE	TRANSMISSION
H = Sport	T = JEEP - 2WD	74 = 4 Dr (101.4WB)	ENC = ENGINE - 2.5L 4 CYL TURBO DIESEL	DDD = TRANSMISSION - 5-SPEED HD MANUAL
L = SE	B = JEEP - 2WD (RHD)	72 = 2 Dr (101.4WB)	EPE = ENGINE - 2.5L POWER TECH I-4 Cyl.	DDQ = TRANSMISSION - 5-SPEED MANUAL
P = Classic	J = JEEP - 4WD		ERH = ENGINE - 4.0L POWER TECH I-6	DGD = TRANSMISSION - 3-SPD. AUTOMATIC,30RH
S = Limited	U = JEEP - 4WD (RHD)			DGK = TRANSMISSION - 4-SPD. AUTOMATIC,42RE
				DGS = TRANSMISSION-4SPD. AUTO,AISIN WARNER
				DGT = TRANSMISSION - 4-SPD. AUTOMATIC,46RE
				DGW = TRANSMISSION - 4-SPD. AUTOMATIC,44RE
				DGX = TRANSMISSION - 4-SPEED AUTOMATIC
				DBB = ALL MANUAL TRANSMISSIONS
				DGO = ALL AUTOMATIC TRANSMISSIONS

AR = use ase required - = Non illustrated part

2000 XJ

Drive Pulleys, 4.0L Engine, RHD
Figure 7-409



ITEM	PART NUMBER	QTY	LINE	SERIES	BODY	ENGINE	TRANS	TRIM	DESCRIPTION
Note: Sales Code ER0 = 4.0L Engine									
1	53010190AC	1	B, U			ER0			BRACKET, Tensioner
2	06502144	2	B, U			ER0			SCREW AND WASHER, Hex Head, M10x1.5x25
3	06502929	1	B, U			ER0			SCREW AND WASHER, Hex Head, M8x1.25x110
4	06502592	1	B, U			ER0			SCREW, M8x1.25 Tapped Head, M10x1.5x50
5	06502137	2	B, U			EP0, ER0			BOLT, Hex Flange Head, M10x1.50x35
6	33002201	1	B, U			ER0			BUSHING, Idler Pulley
7	53010230	1	B, U			ER0			PULLEY, Idler
8	06034497	1	B, U			ER0			BOLT AND WASHER, Hex Head, .375-16x2.375
9	53002903	1				ER0			PULLEY, Idler
10	53010163	1	B, U			ER0			BRACKET, Fan
11	53002907	1	B, U			ER0			PULLEY, Water Pump
12	53010228AB	1	B, U			ER0			PULLEY, Idler
13	53010228AB	1							SCREW, (NOT SERVICED)

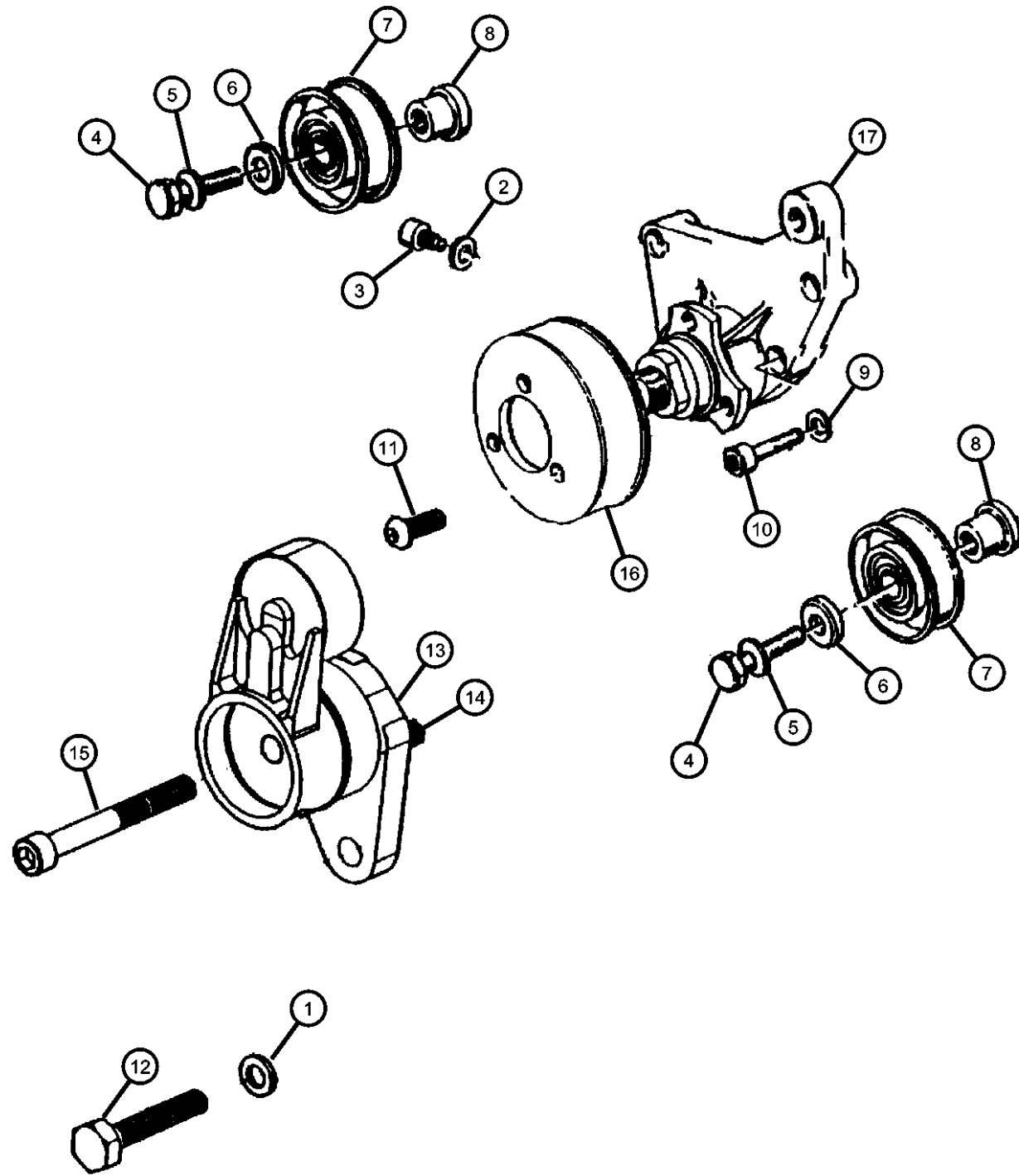
CHEROKEE (XJ)

SERIES	LINE	BODY	ENGINE	TRANSMISSION
H = Sport	T = JEEP - 2WD	74 = 4 Dr (101.4WB)	ENC = ENGINE - 2.5L 4 CYL TURBO DIESEL	DDD = TRANSMISSION - 5-SPEED HD MANUAL
L = SE	B = JEEP - 2WD (RHD)	72 = 2 Dr (101.4WB)	EPE = ENGINE - 2.5L POWER TECH I-4 Cyl.	DDQ = TRANSMISSION - 5-SPEED MANUAL
P = Classic	J = JEEP - 4WD		ERH = ENGINE - 4.0L	DGD = TRANSMISSION - 3-SPD. AUTOMATIC,30RH
S = Limited	U = JEEP - 4WD (RHD)		POWER TECH I-6	DGK = TRANSMISSION - 4-SPD. AUTOMATIC,42RE
				DGS = TRANSMISSION-4SPD. AUTO,AISIN WARNER
				DGT = TRANSMISSION - 4-SPD. AUTOMATIC,46RE
				DGW = TRANSMISSION - 4-SPD. AUTOMATIC,44RE
				DGX = TRANSMISSION - 4-SPEED AUTOMATIC
				DBB = ALL MANUAL TRANSMISSIONS
				DGO = ALL AUTOMATIC TRANSMISSIONS

AR = use ase required - = Non illustrated part

2000 XJ

Drive Pulleys, 2.5L Diesel Engine
Figure 7-415



ITEM	PART NUMBER	QTY	LINE	SERIES	BODY	ENGINE	TRANS	TRIM	DESCRIPTION
Note: Sales Code EN0 = 2.5L Diesel Engine									
1	04864758	2				EN0			WASHER
2	04723200	1				EN0			WASHER, Flat
3	04796030	1				EN0			SCREW, Fan Bearing
4	04796030	1							BOLT, Left Hand Thread, M10x50, (NOT SERVICED)
5	04720243	6				EN0			WASHER, Lock, M10
6	04720243	6							WASHER, Idler Pulley, (NOT SERVICED)
7	05003567AA	2				EN0			PULLEY, Idler
8	05003567AA	2							SHAFT, Idler Pulley, (NOT SERVICED)
9	04720688	4				EN0			WASHER, Flat
10	04797768	4				EN0			BOLT, Vacuum Pump Bracket, M10x35
11	04863752	2				EN0			SCREW
12	05003536AA	1				EN0			BOLT, Belt Tensioner
13	04897159AB	1				EN0			TENSIONER, Belt
14	04883528AA	1				EN0			BOLT, Adaptor Plate
15	04886053AA	1				EN0			BOLT, Belt Tensioner
16	04883491AA	1				EN0			PULLEY, Fan
17	05003566AA	1				EN0			BRACKET, Fan

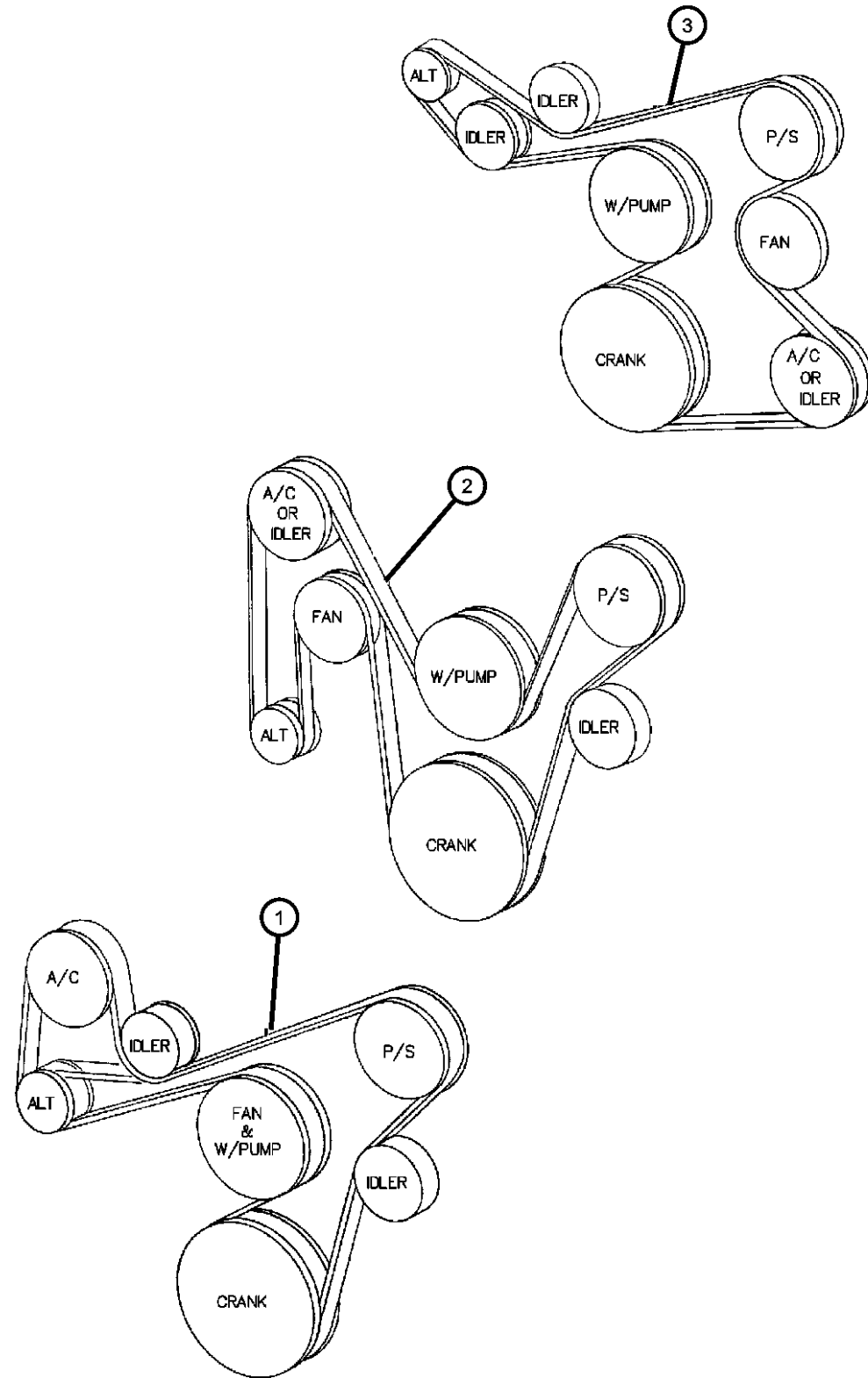
CHEROKEE (XJ)

SERIES	LINE	BODY	ENGINE	TRANSMISSION
H = Sport	T = JEEP - 2WD	74 = 4 Dr (101.4WB)	ENC = ENGINE - 2.5L 4 CYL TURBO DIESEL	DDD = TRANSMISSION - 5-SPEED HD MANUAL
L = SE	B = JEEP - 2WD (RHD)	72 = 2 Dr (101.4WB)	EPE = ENGINE - 2.5L POWER TECH I-4 Cyl.	DDQ = TRANSMISSION - 5-SPEED MANUAL
P = Classic	J = JEEP - 4WD		ERH = ENGINE - 4.0L POWER TECH I-6	DGD = TRANSMISSION - 3-SPD. AUTOMATIC,30RH
S = Limited	U = JEEP - 4WD (RHD)			DGK = TRANSMISSION - 4-SPD. AUTOMATIC,42RE
				DGS = TRANSMISSION-4SPD. AUTO,AISIN WARNER
				DGT = TRANSMISSION - 4-SPD. AUTOMATIC,46RE
				DGW = TRANSMISSION - 4-SPD. AUTOMATIC,44RE
				DGX = TRANSMISSION - 4-SPEED AUTOMATIC
				DBB = ALL MANUAL TRANSMISSIONS
				DGO = ALL AUTOMATIC TRANSMISSIONS

AR = use ase required - = Non illustrated part

2000 XJ

Drive Belts
Figure 7-510



ITEM	PART NUMBER	QTY	LINE	SERIES	BODY	ENGINE	TRANS	TRIM	DESCRIPTION
Note: Sales Code EN0 = 2.5L Diesel Engine Note: Sales Code EP0 = 2.5L Gas Engine Note: Sales Code ER0 = 4.0L Engine									
1									BELT, Accessory Drive
	53010257	1	J, T			EP0			2.5L Engine, Heater
	53010311	1	B, U			EP0			2.5L Engine, Heater
	53011035	1	J, T			EP0			2.5L Engine, A/C
	53012002	1	B, U			EP0			2.5L Engine, A/C
2	53010314	1	J, T			ER0			BELT, Accessory Drive, 4.0L Engine
3	53010234	1	B, U			ER0			BELT, Accessory Drive, 4.0L Engine
-4									LABEL, Belt Routing
	53010297	1	B, U			ER0			
	53010298	1				EP0			
	53010299	1	J, T			ER0			
	53040078	1				EN0			

CHEROKEE (XJ)

SERIES

H = Sport
L = SE
P = Classic
S = Limited

LINE

T = JEEP - 2WD
B = JEEP - 2WD (RHD)
J = JEEP - 4WD
U = JEEP - 4WD (RHD)

BODY

74 = 4 Dr (101.4WB)
72 = 2 Dr (101.4WB)

ENGINE

ENC = ENGINE - 2.5L 4 CYL TURBO DIESEL
EPE = ENGINE - 2.5L POWER TECH I-4 Cyl.
ERH = ENGINE - 4.0L POWER TECH I-6

TRANSMISSION

DDD = TRANSMISSION - 5-SPEED HD MANUAL
DDQ = TRANSMISSION - 5-SPEED MANUAL
DGD = TRANSMISSION - 3-SPD. AUTOMATIC,30RH
DGK = TRANSMISSION - 4-SPD. AUTOMATIC,42RE
DGS = TRANSMISSION-4SPD. AUTO,AISIN WARNER
DGT = TRANSMISSION - 4-SPD. AUTOMATIC,46RE
DGW = TRANSMISSION - 4-SPD. AUTOMATIC,44RE
DGX = TRANSMISSION - 4-SPEED AUTOMATIC
DBB = ALL MANUAL TRANSMISSIONS
DGO = ALL AUTOMATIC TRANSMISSIONS

AR = use ase required - = Non illustrated part

2000 XJ

Oil Cooler Lines, LHD

Figure 7-610

ITEM	PART NUMBER	QTY	LINE	SERIES	BODY	ENGINE	TRANS	TRIM	DESCRIPTION
------	-------------	-----	------	--------	------	--------	-------	------	-------------

Note: Sales Code DGB = Manual Trans
 Note: Sales Code DG0 = All Auto Trans
 Note: Sales Code EN0 = 2.5L Diesel Engine
 Note: Sales Code EP0 = 2.5L Gas Engine
 Note: Sales Code ER0 = 4.0L Engine

1	06035058	1	J, T			EP0	DG0		SCREW, Hex Flange Head, .19-16x.50
2	34202698	1				ER0	DG0		CLIP, Oil Tube
3	53004990	1				ER0	DG0		BRACKET, Oil Cooler Tube
4									NUT AND WASHER, Hex Nut-Coned Washer, .25-20
	06033560	2				ER0			
		1				EP0			
5	52028328	1	J, T			ER0	DG0		TUBE, Supply
6	53004631	1				ER0	DG0		BRACKET, Oil Cooler Tube
7	52028516AE	1	J, T			EP0, ER0	DG0		COOLER, Auxiliary Oil
8	34202697	2	J, T			ER0	DG0		CLIP, Oil Cooler Tube
9	34202697	2							CLIP, (NOT SERVICED)
10									TUBE AND HOSE, Return
	52028566AD	1	J, T			ER0	DG0		
	52118569AE	1	J, T			EP0	DGD		
11									TUBE AND HOSE, Supply
	52028504AF	1	J, T			EP0	DGD		
	52028605AD	1	J, T			ER0	DG0		
12	05003096AC	1	J, T			EP0, ER0	DG0		HOSE AND CONNECTOR, Oil Cooler

CHEROKEE (XJ)

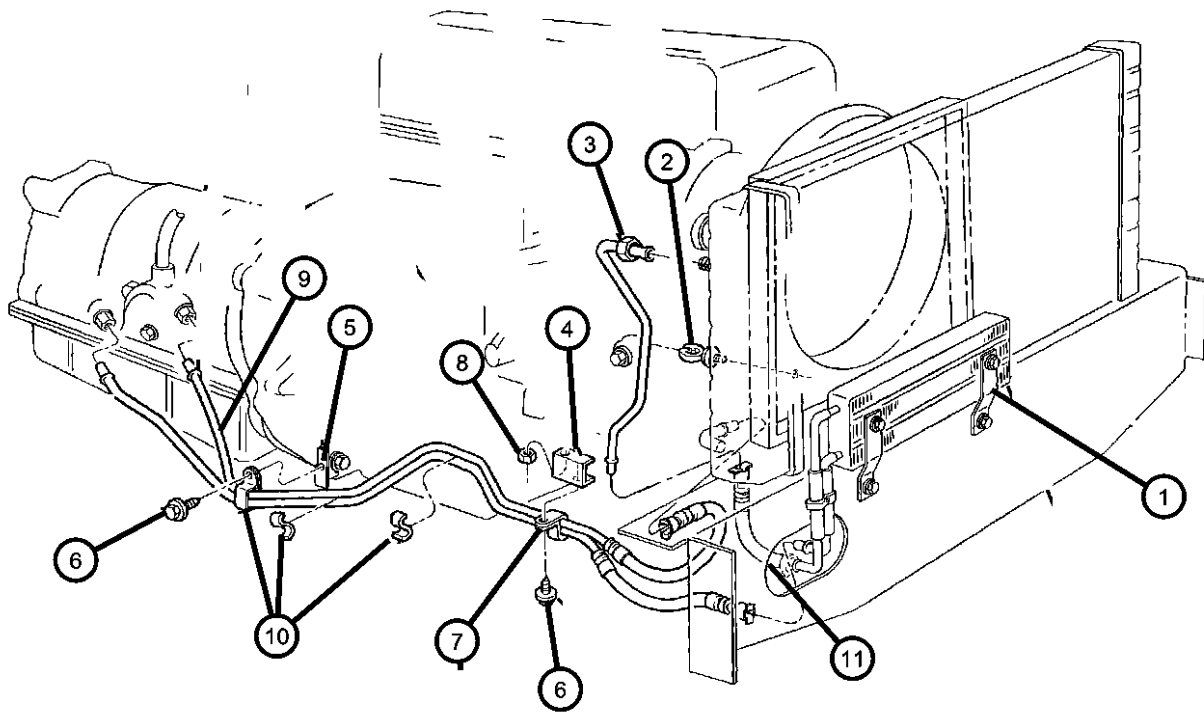
SERIES	LINE	BODY	ENGINE	TRANSMISSION
H = Sport	T = JEEP - 2WD	74 = 4 Dr (101.4WB)	ENC = ENGINE - 2.5L 4 CYL TURBO DIESEL	DDD = TRANSMISSION - 5-SPEED HD MANUAL
L = SE	B = JEEP - 2WD (RHD)	72 = 2 Dr (101.4WB)	EPE = ENGINE - 2.5L POWER TECH I-4 Cyl.	DDQ = TRANSMISSION - 5-SPEED MANUAL
P = Classic	J = JEEP - 4WD		ERH = ENGINE - 4.0L POWER TECH I-6	DGD = TRANSMISSION - 3-SPD. AUTOMATIC,30RH
S = Limited	U = JEEP - 4WD (RHD)			DGK = TRANSMISSION - 4-SPD. AUTOMATIC,42RE
				DGS = TRANSMISSION-4SPD. AUTO,AISIN WARNER
				DGT = TRANSMISSION - 4-SPD. AUTOMATIC,46RE
				DGW = TRANSMISSION - 4-SPD. AUTOMATIC,44RE
				DGX = TRANSMISSION - 4-SPEED AUTOMATIC
				DBB = ALL MANUAL TRANSMISSIONS
				DGO = ALL AUTOMATIC TRANSMISSIONS

AR = use ase required - = Non illustrated part

2000 XJ

Oil Cooler Lines, RHD
Figure 7-620

ITEM	PART NUMBER	QTY	LINE	SERIES	BODY	ENGINE	TRANS	TRIM	DESCRIPTION
Note: Sales Code DGB = Manual Trans									
Note: Sales Code DG0 = All Auto Trans									
Note: Sales Code EN0 = 2.5L Diesel Engine									
Note: Sales Code EP0 = 2.5L Gas Engine									
Note: Sales Code ER0 = 4.0L Engine									
1	52028517AC	1	B, U			ER0			COOLER, Transmission Oil
2	32000404	3	B, U						CLIP, Tube
3	52028310	1	B, U			ER0	DG0		TUBE, Oil Cooler
4	53004990	1				ER0	DG0		BRACKET, Oil Cooler Tube
5	53004631	1				ER0	DG0		BRACKET, Oil Cooler Tube
6	06035058	4				ER0	DG0		SCREW, Hex Flange Head, .19-16x.50
7	34202698	1				ER0	DG0		CLIP, Oil Tube
8	06033560	1							NUT AND WASHER, Hex Nut-Coned Washer, .25-20
9	52028561AC	1	B, U			ER0	DG0		TUBE AND HOSE, Oil Cooler
10	52028561AC	1							CLIP, (NOT SERVICED)
11	05015643AA	1	B, U			ER0			HOSE AND CONNECTOR, Oil Cooler
-12	52028567AC	1	B, U			ER0	DG0		TUBE AND HOSE, Return
-13	52028561AC	1	B, U			ER0	DG0		TUBE AND HOSE, Oil Cooler, Supply



CHEROKEE (XJ)

SERIES	LINE	BODY	ENGINE	TRANSMISSION
H = Sport	T = JEEP - 2WD	74 = 4 Dr (101.4WB)	ENC = ENGINE - 2.5L 4 CYL TURBO DIESEL	DDD = TRANSMISSION - 5-SPEED HD MANUAL
L = SE	B = JEEP - 2WD (RHD)	72 = 2 Dr (101.4WB)	EPE = ENGINE - 2.5L POWER TECH I-4 Cyl.	DDQ = TRANSMISSION - 5-SPEED MANUAL
P = Classic	J = JEEP - 4WD		ERH = ENGINE - 4.0L POWER TECH I-6	DGD = TRANSMISSION - 3-SPD. AUTOMATIC,30RH
S = Limited	U = JEEP - 4WD (RHD)			DGK = TRANSMISSION - 4-SPD. AUTOMATIC,42RE
				DGS = TRANSMISSION-4SPD. AUTO,AISIN WARNER
				DGT = TRANSMISSION - 4-SPD. AUTOMATIC,46RE
				DGW = TRANSMISSION - 4-SPD. AUTOMATIC,44RE
				DGX = TRANSMISSION - 4-SPEED AUTOMATIC
				DBB = ALL MANUAL TRANSMISSIONS
				DGO = ALL AUTOMATIC TRANSMISSIONS

AR = use ase required - = Non illustrated part

**Grille and Related Parts
Figure 7-710**

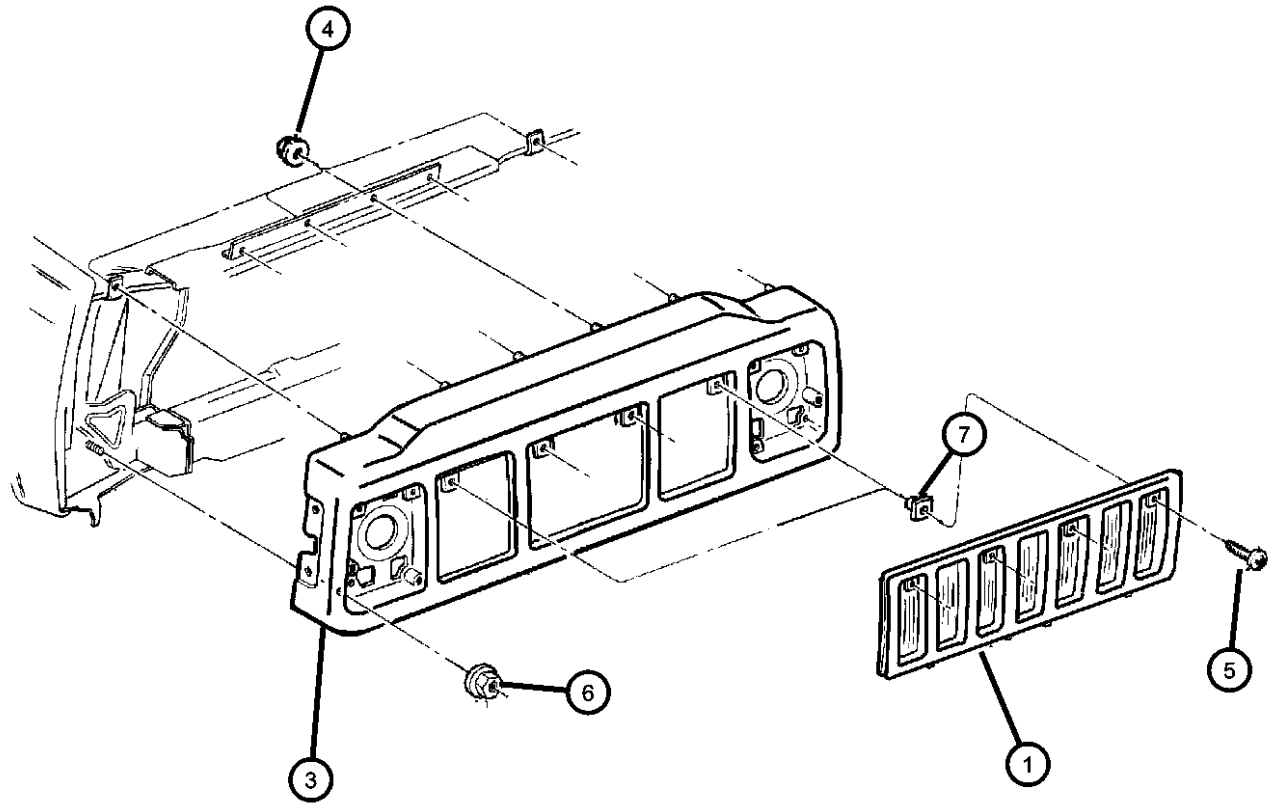
ITEM	PART NUMBER	QTY	LINE	SERIES	BODY	ENGINE	TRANS	TRIM	DESCRIPTION
------	-------------	-----	------	--------	------	--------	-------	------	-------------

Note: Sales Code DGB = Manual Trans

Note: Sales Code EN0 = 2.5L Diesel Engine

Note: Sales Code EP0 = 2.5L Gas Engine

Note: Sales Code ER0 = 4.0L Engine



1									GRILLE, Radiator
	55055150	1							Sport and SE Model
	55156028AA	1							Chrome/Black
	5EM65DX8	1							Black Clear Coat
	5EM65PR4	1							Flame Red
	5EM65RJP	1							Fern Green
	5EM65SG8	1							Forest Green
	5EM65SW1	1							Stone White
	5EM65WBT	1							Patriot Blue
	5EM65WTD	1							Desert Sand
	5EM65WU7	1							Sienna Pearl Coat
	5EM65XS5	1							Silverstone
-2	52028374	1				EN0			DEFLECTOR, Air
3	55055233AD	1							PANEL, Grille Opening
4									NUT, Hex, M6x1.00
	06500284	2				EP0, ER0			
		1			B, U	EN0			
		1			J, T	EN0			
5	06034204	4							SCREW, Pan Head, #6 HiLo
6	06100047	1				EP0			NUT AND WASHER, Hex Nut-Coned Washer, M6 x 1.00
7	06035657	4							NUT, Plastic Snap-In, For .164-15 Screw

CHEROKEE (XJ)

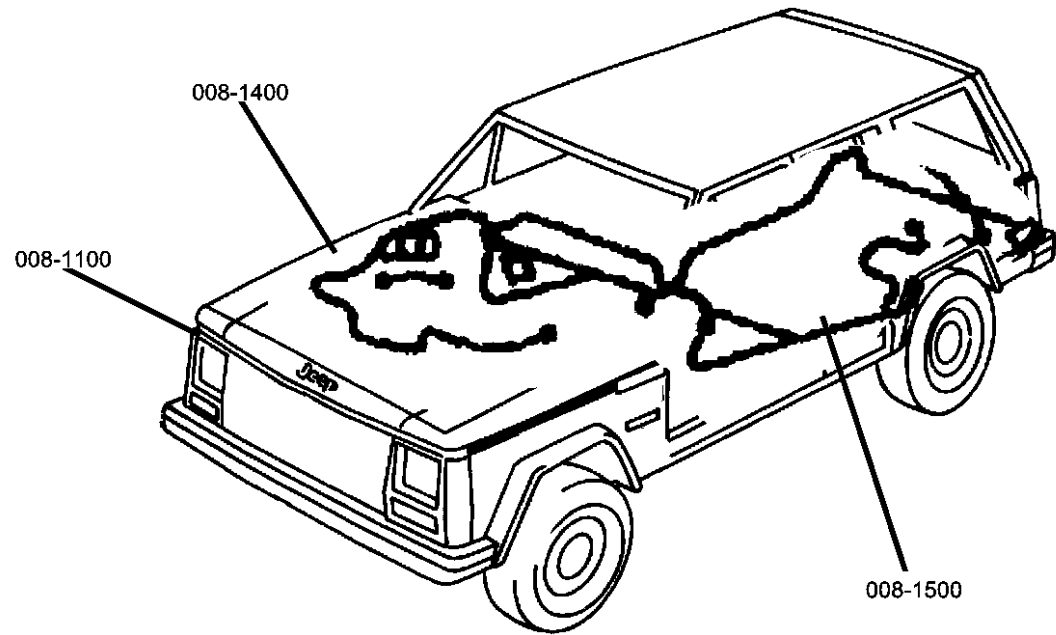
SERIES	LINE	BODY	ENGINE	TRANSMISSION
H = Sport	T = JEEP - 2WD	74 = 4 Dr (101.4WB)	ENC = ENGINE - 2.5L 4 CYL TURBO DIESEL	DDD = TRANSMISSION - 5-SPEED HD MANUAL
L = SE	B = JEEP - 2WD (RHD)	72 = 2 Dr (101.4WB)	EPE = ENGINE - 2.5L POWER TECH I-4 Cyl.	DDQ = TRANSMISSION - 5-SPEED MANUAL
P = Classic	J = JEEP - 4WD		ERH = ENGINE - 4.0L POWER TECH I-6	DGD = TRANSMISSION - 3-SPD. AUTOMATIC,30RH
S = Limited	U = JEEP - 4WD (RHD)			DGK = TRANSMISSION - 4-SPD. AUTOMATIC,42RE
				DGS = TRANSMISSION-4SPD. AUTO,AISIN WARNER
				DGT = TRANSMISSION - 4-SPD. AUTOMATIC,46RE
				DGW = TRANSMISSION - 4-SPD. AUTOMATIC,44RE
				DGX = TRANSMISSION - 4-SPEED AUTOMATIC
				DBB = ALL MANUAL TRANSMISSIONS
				DGO = ALL AUTOMATIC TRANSMISSIONS

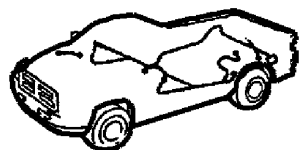
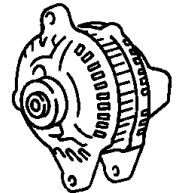
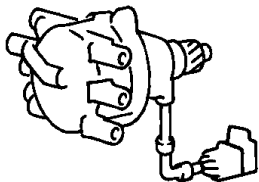
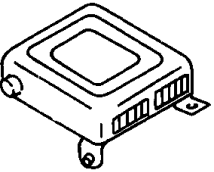

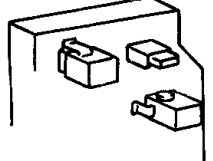
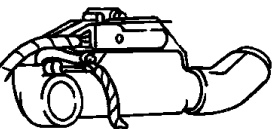
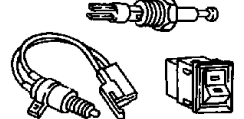
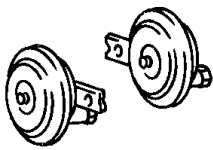
AR = use ase required - = Non illustrated part

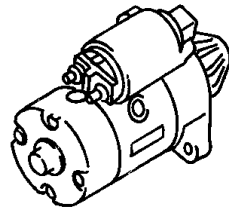
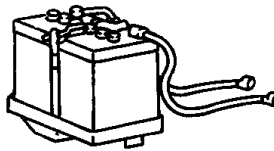
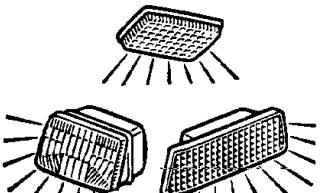
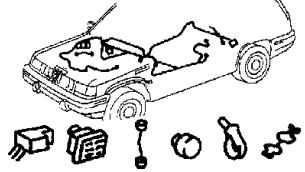
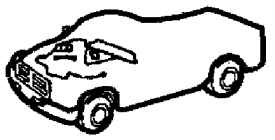
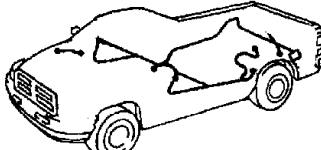
2000 XJ

Group - 8

Electrical



<p>008-1900 Spark Plugs-Cables-Coils</p> 	<p>008-200 Alternators</p> 	<p>008-300 Distributor</p> 	<p>008-400 Modules</p> 
<p>008-500 Relays</p> 	<p>008-600 Sensors</p> 	<p>008-700 Single Board Engine Controllers</p> 	<p>008-800 Switches</p> 
<p>008-900 Horns</p> 			

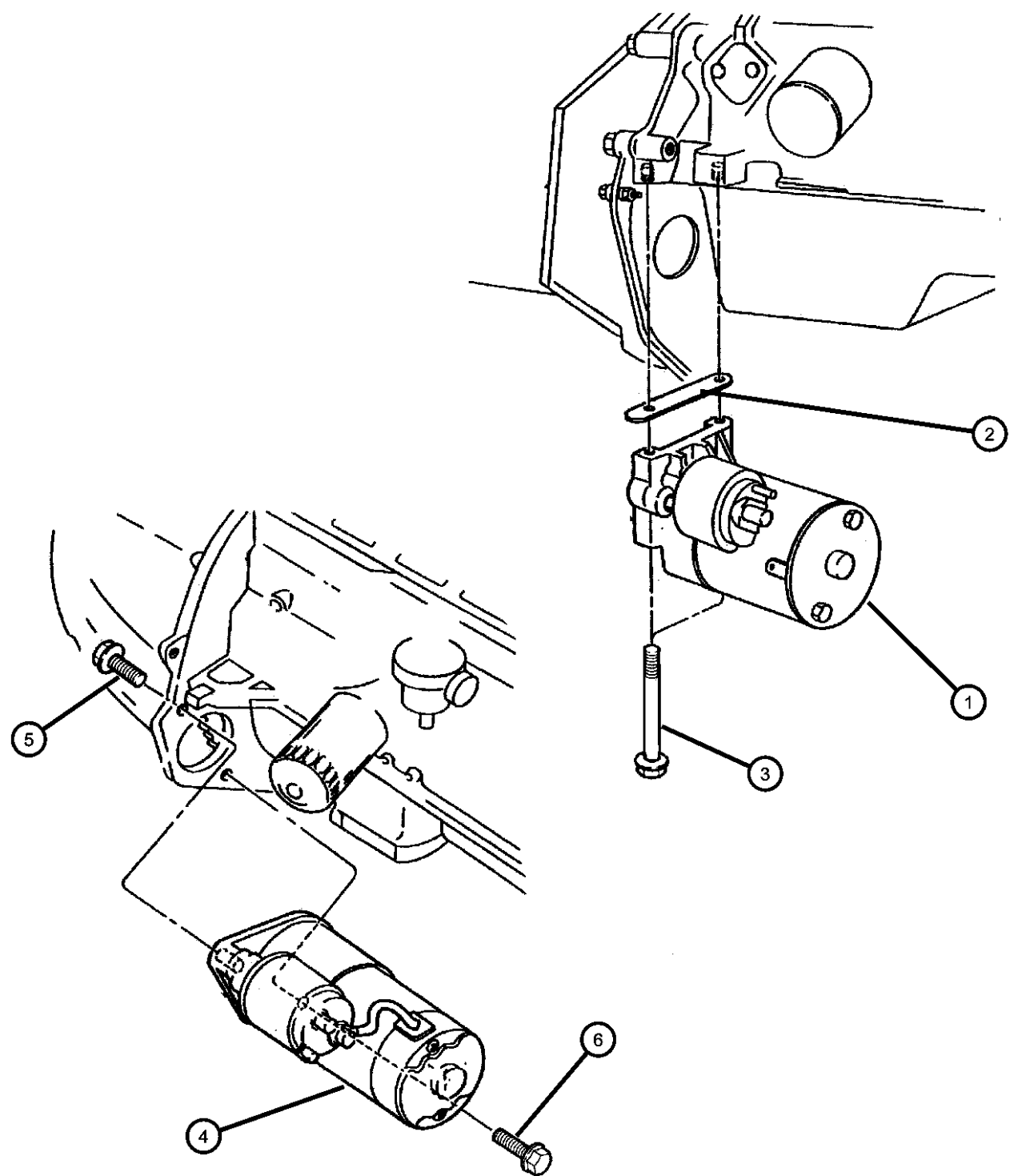
<p>008-100 Starters</p> 	<p>008-1000 Battery Tray and Cables</p> 	<p>008-1100 Lamps - Front, Rear and Courtesy</p> 	<p>008-1200 Wiring-Engine & Related Parts</p> 
<p>008-1300 Wiring-Headlamp to Dash</p> 	<p>008-1400 Wiring-Instrument Panel</p> <p>WIRING INSTR. PANEL</p>	<p>008-1500 Wiring-Body & Accessories</p> 	<p>008-1600 Wiring Repair</p> <p>WIRING REPAIR PKG.</p>

Group - 8 Electrical

Illustration Title	Group-Fig. No.
Starters	
Starter and Mounting (2.5L & 4.0L Engines).....	Fig. 8 - 105
Starter and Mounting (Diesel Engine).....	Fig. 8 - 110
Alternators	
Alternator 2.5L & 4.0L Engines R.H.D.....	Fig. 8 - 205
Alternator 2.5L & 4.0L Engines L.H.D.....	Fig. 8 - 207
Alternator Diesel Engine.....	Fig. 8 - 210
Distributor	
Distributor 2.5L Engine.....	Fig. 8 - 305
Modules	
Modules.....	Fig. 8 - 405
Relays	
Relays.....	Fig. 8 - 510
Sensors	
Sensors 4.0L Engine.....	Fig. 8 - 605
Sensors 2.5L Engine [EN0 Diesel].....	Fig. 8 - 610
Sensor 2.5L [EP0 Gas Engine].....	Fig. 8 - 615
Sensors Drivetrain.....	Fig. 8 - 620
Sensors Body.....	Fig. 8 - 625
Single Board Engine Controllers	
Single Board Engine Controllers.....	Fig. 8 - 710
Switches	
Switches & Sending Units.....	Fig. 8 - 810
Horns	
Horns.....	Fig. 8 - 910
Battery Tray and Cables	
Battery Tray.....	Fig. 8 - 1005
Battery Cables.....	Fig. 8 - 1010
Lamps - Front, Rear and Courtesy	
Lamps Fog.....	Fig. 8 - 1135
Lamps Front.....	Fig. 8 - 1140
Lamps Rear.....	Fig. 8 - 1155
Lamps Cargo - Dome - Underhood.....	Fig. 8 - 1165
Bulbs.....	Fig. 8 - 1170
Wiring-Engine & Related Parts	
Wiring Engine & Related Parts.....	Fig. 8 - 1210
Wiring-Headlamp to Dash	
Wiring Headlamp / Dash.....	Fig. 8 - 1310
Wiring-Instrument Panel	
Wiring Instrument Panel.....	Fig. 8 - 1410
Wiring-Body & Accessories	
Wiring Body & Accessory.....	Fig. 8 - 1510
Wiring Repair	
Connector Repair Package.....	Fig. 8 - 1605
Power Distribution Center Repair.....	Fig. 8 - 1615
Spark Plugs-Cables-Coils	
Spark Plug-Cables & Coil.....	Fig. 8 - 1905

Starter and Mounting (2.5L & 4.0L Engines)

Figure 8-105



ITEM	PART NUMBER	QTY	LINE	SERIES	BODY	ENGINE	TRANS	TRIM	DESCRIPTION
EP0=2.5L Engine ER0=4.0L Engine									
1	56041013AB	1				EP0	DBB		STARTER
2	J3241711	AR				EP0			SHIM, Starter Motor
3	06035607	2				EP0	DG0		SCREW, Starter Motor
4	56041012AB R6041012AC	1				ER0			STARTER Mopar Remanufactured Part
5	06503699	1				ER0			SCREW AND WASHER, Hex Head, M10x1.5x28
6	J4006192	1				ER0			BOLT AND WASHER, Hex Head, .375-16x1.75
-7	56041476AA	1				ER0			COIL, Ignition

CHEROKEE (XJ)

SERIES	LINE	BODY	ENGINE	TRANSMISSION
H = Sport	T = JEEP - 2WD	74 = 4 Dr (101.4WB)	ENC = ENGINE - 2.5L 4 CYL TURBO DIESEL	DDD = TRANSMISSION - 5-SPEED HD MANUAL
L = SE	B = JEEP - 2WD (RHD)	72 = 2 Dr (101.4WB)	EPE = ENGINE - 2.5L POWER TECH I-4 Cyl.	DDQ = TRANSMISSION - 5-SPEED MANUAL
P = Classic	J = JEEP - 4WD		ERH = ENGINE - 4.0L POWER TECH I-6	DGD = TRANSMISSION - 3-SPD. AUTOMATIC,30RH
S = Limited	U = JEEP - 4WD (RHD)			DGK = TRANSMISSION - 4-SPD. AUTOMATIC,42RE
				DGS = TRANSMISSION-4SPD. AUTO,AISIN WARNER
				DGT = TRANSMISSION - 4-SPD. AUTOMATIC,46RE
				DGW = TRANSMISSION - 4-SPD. AUTOMATIC,44RE
				DGX = TRANSMISSION - 4-SPEED AUTOMATIC
				DBB = ALL MANUAL TRANSMISSIONS
				DGO = ALL AUTOMATIC TRANSMISSIONS

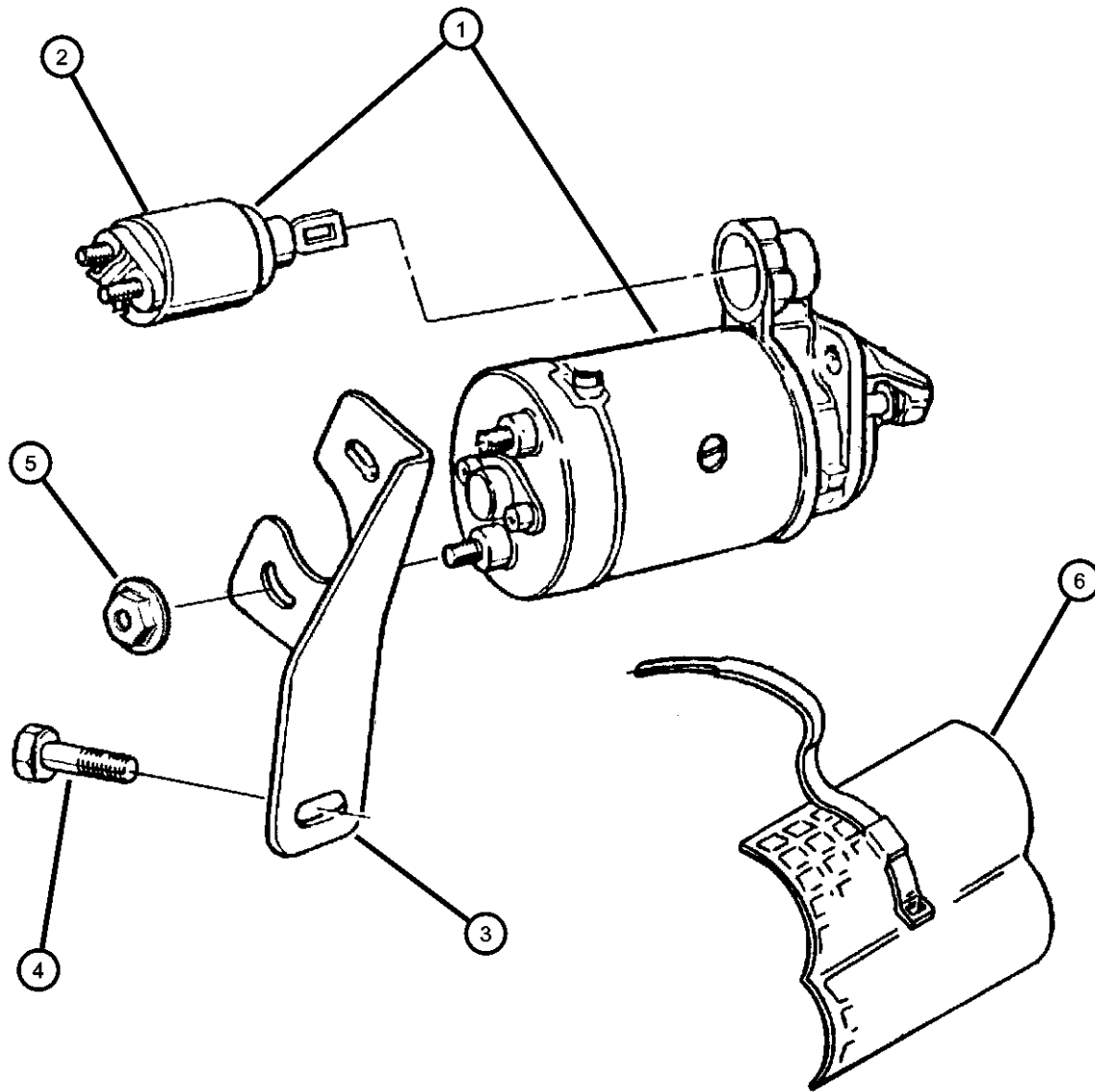
AR = use ase required - = Non illustrated part

**Starter and Mounting (Diesel Engine)
Figure 8-110**

ITEM	PART NUMBER	QTY	LINE	SERIES	BODY	ENGINE	TRANS	TRIM	DESCRIPTION
------	-------------	-----	------	--------	------	--------	-------	------	-------------

EN0=4Cylinder Turbo Engine

1	04883447AA	1				EN0			STARTER
2	04723275	1				EN0			SOLENOID, Starter
3	04796045	1				EN0			BRACKET, Starter
4	04720684	1				EN0			BOLT
5	04778936	2				EN0			NUT, Suction Pipe Attaching
6	56027329	1				EN0			SHIELD, Heat
-7	56041476AA	1				ER0			COIL, Ignition



CHEROKEE (XJ)

SERIES	LINE	BODY	ENGINE	TRANSMISSION
H = Sport	T = JEEP - 2WD	74 = 4 Dr (101.4WB)	ENC = ENGINE - 2.5L 4 CYL TURBO DIESEL	DDD = TRANSMISSION - 5-SPEED HD MANUAL
L = SE	B = JEEP - 2WD (RHD)	72 = 2 Dr (101.4WB)	EPE = ENGINE - 2.5L POWER TECH I-4 Cyl.	DDQ = TRANSMISSION - 5-SPEED MANUAL
P = Classic	J = JEEP - 4WD		ERH = ENGINE - 4.0L POWER TECH I-6	DGD = TRANSMISSION - 3-SPD. AUTOMATIC,30RH
S = Limited	U = JEEP - 4WD (RHD)			DGK = TRANSMISSION - 4-SPD. AUTOMATIC,42RE
				DGS = TRANSMISSION-4SPD. AUTO,AISIN WARNER
				DGT = TRANSMISSION - 4-SPD. AUTOMATIC,46RE
				DGW = TRANSMISSION - 4-SPD. AUTOMATIC,44RE
				DGX = TRANSMISSION - 4-SPEED AUTOMATIC
				DBB = ALL MANUAL TRANSMISSIONS
				DGO = ALL AUTOMATIC TRANSMISSIONS

AR = use ase required - = Non illustrated part

2000 XJ

**Alternator 2.5L & 4.0L Engines R.H.D.
Figure 8-205**

ITEM	PART NUMBER	QTY	LINE	SERIES	BODY	ENGINE	TRANS	TRIM	DESCRIPTION
------	-------------	-----	------	--------	------	--------	-------	------	-------------

EP0=2.5L Engine
ER0=4.0L Engine

1	56026936AB	1	B, U			EP0			ALTERNATOR
2	06502666	1	B, U			EP0			SCREW AND CONED WASHER, Hex Flange Head, M8x1.25x55
3	53008721	1	B, U			EP0			BRACKET, Alternator
4	06502143	1	B, U			EP0			BOLT, Hex Flange Head, M10x1.5-80
5	56041822AA	1				ER0			ALTERNATOR
6	06101448	1	B, U			ER0			NUT AND WASHER, Hex Nut-Coned Washer, M10 x 1.5
7	06502134	1	B, U			ER0			BOLT, Hex Flange Head, M10x1.50x110
8	06502929	1	B, U			ER0			SCREW AND WASHER, Hex Head, M8x1.25x110
9	53010190AC	1	B, U			ER0			BRACKET, Tensioner
10	06502144	2	B, U			ER0			SCREW AND WASHER, Hex Head, M10x1.5x25
11	06502592	1	B, U			ER0			SCREW, M8x1.25 Tapped Head, M10x1.5x50
12	06502135	1	B, U			ER0			NUT, Hex Flange, M10x1.5
13	06502135	1							SCREW AND WASHER, Hex Head, Coned, Header, .312-18x2.75, .375-16x1.625, (NOT SERVICED)
14	06034497	1	B, U			ER0			BOLT AND WASHER, Hex Head, .375-16x2.375
15	53010231	1	B, U			ER0			BRACKET, Alternator
16	53010231	1							BOLT, Hex Flange Head, .375-16 x 2.75, (NOT SERVICED)
17	06034242	1	B, U			ER0			SCREW AND WASHER

CHEROKEE (XJ)

SERIES	LINE
H = Sport	T = JEEP - 2WD
L = SE	B = JEEP - 2WD (RHD)
P = Classic	J = JEEP - 4WD
S = Limited	U = JEEP - 4WD (RHD)

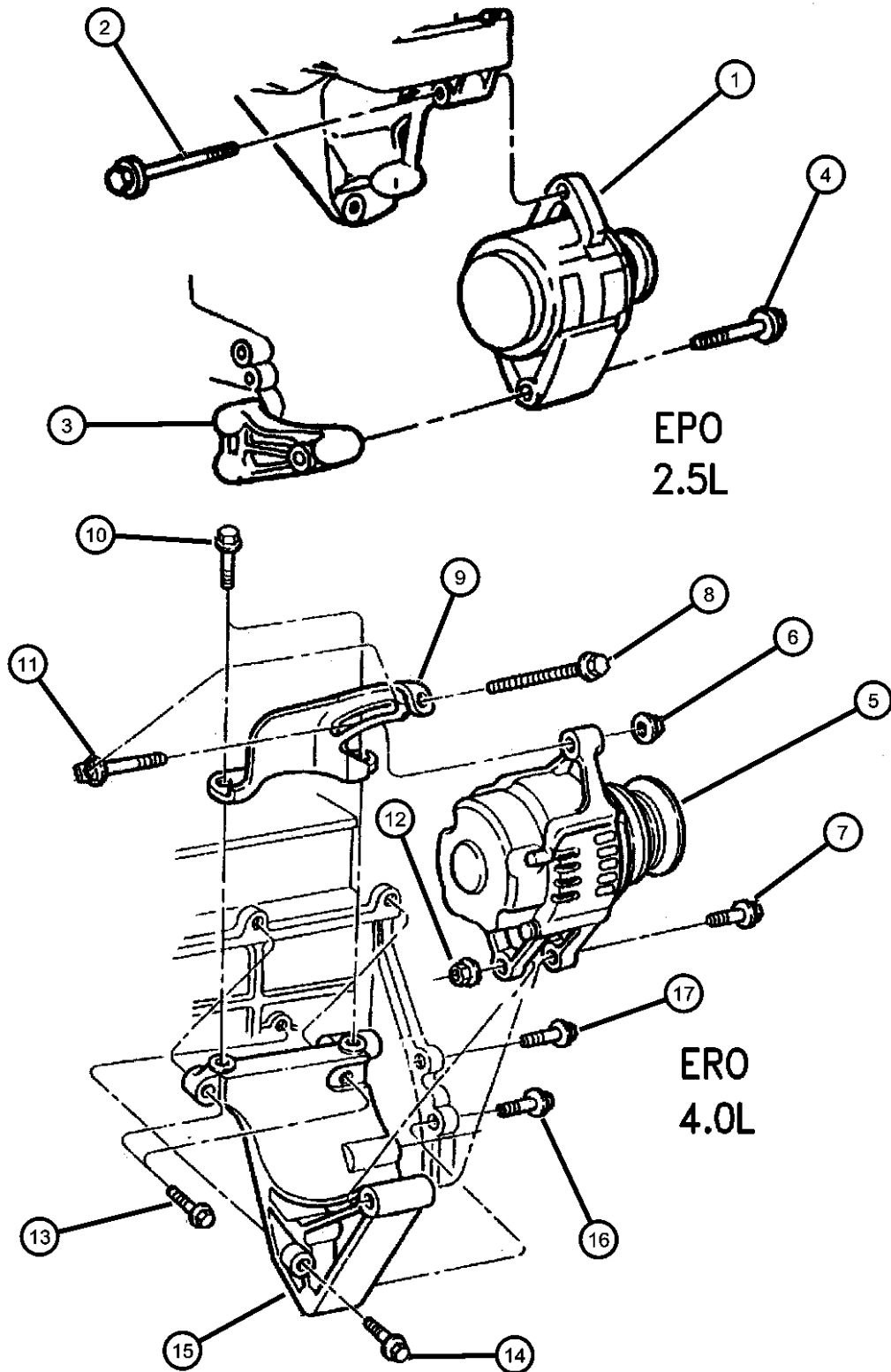
BODY
74 = 4 Dr (101.4WB)
72 = 2 Dr (101.4WB)

ENGINE
ENC = ENGINE - 2.5L 4 CYL TURBO DIESEL
EPE = ENGINE - 2.5L POWER TECH I-4 Cyl.
ERH = ENGINE - 4.0L POWER TECH I-6

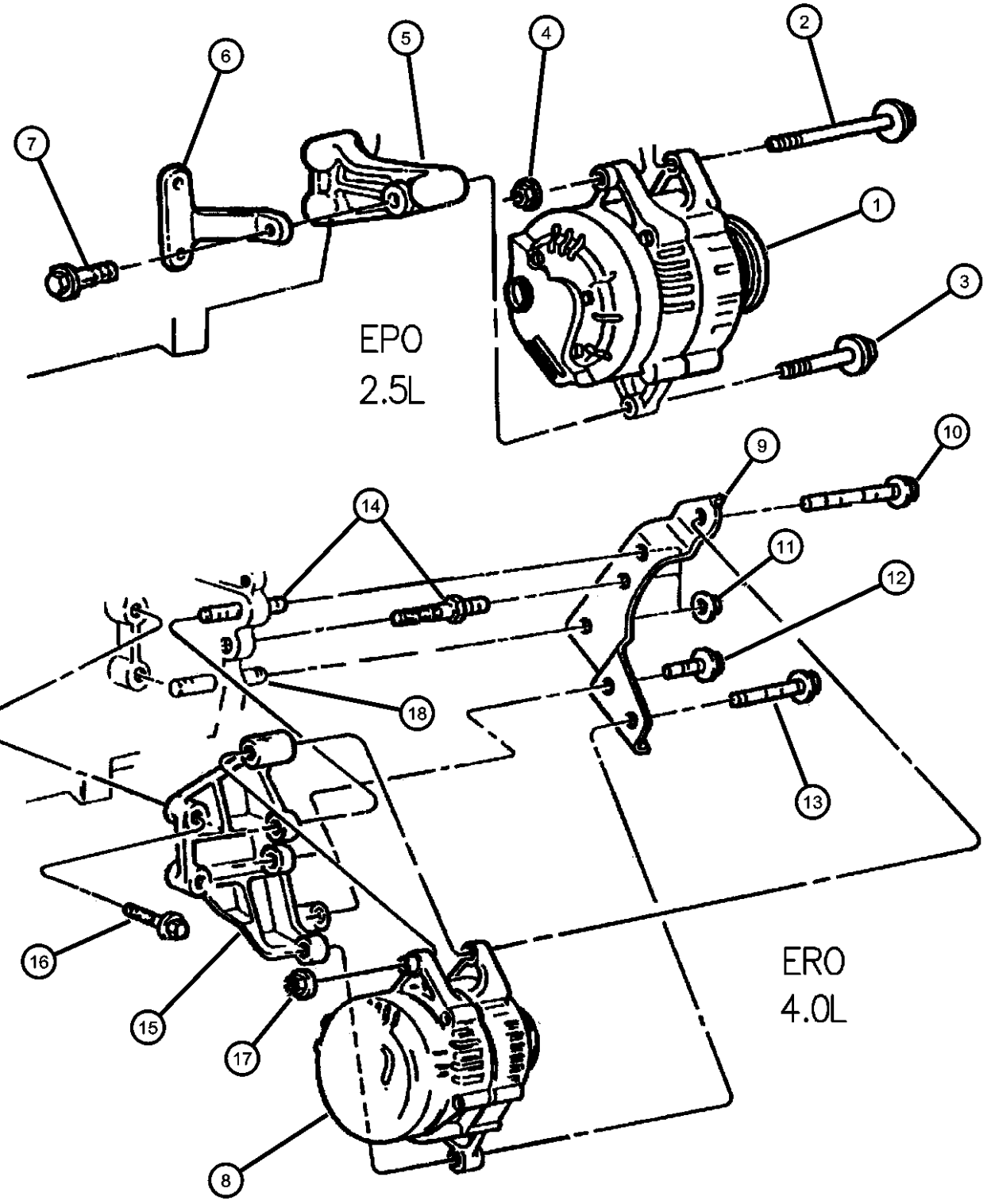
TRANSMISSION
DDD = TRANSMISSION - 5-SPEED HD MANUAL
DDQ = TRANSMISSION - 5-SPEED MANUAL
DGD = TRANSMISSION - 3-SPD. AUTOMATIC,30RH
DGK = TRANSMISSION - 4-SPD. AUTOMATIC,42RE
DGS = TRANSMISSION-4SPD. AUTO,AISIN WARNER
DGT = TRANSMISSION - 4-SPD. AUTOMATIC,46RE
DGW = TRANSMISSION - 4-SPD. AUTOMATIC,44RE
DGX = TRANSMISSION - 4-SPEED AUTOMATIC
DBB = ALL MANUAL TRANSMISSIONS
DGO = ALL AUTOMATIC TRANSMISSIONS

AR = use ase required - = Non illustrated part

2000 XJ



**Alternator 2.5L & 4.0L Engines L.H.D.
Figure 8-207**



ITEM	PART NUMBER	QTY	LINE	SERIES	BODY	ENGINE	TRANS	TRIM	DESCRIPTION
EPO=2.5L Engine ERO=4.0L Engine									
1									ALTERNATOR
	56041822AA	1				ER0			
		1	J, T			EPO			
2	06502134	1	J, T			EPO			BOLT, Hex Flange Head, M10x1.50x110
3	06502136	1	J, T			EPO			BOLT, Hex Flange Head, M10x1.50x55
4	06502135	1	J, T			EPO			NUT, Hex Flange, M10x1.5
5	53007604	1	J, T			EPO			BRACKET, Alternator
6	53007506	1	J, T			EPO			BRACKET, Alternator
7	06502144	1	J, T			EPO			SCREW AND WASHER, Hex Head, M10x1.5x25
8									ALTERNATOR
	56041822AA	1				ER0			
		1	J, T			EPO			
9	53006869	1	J, T			ER0			BRACKET, Alternator
10	06502134	1	J, T			ER0			BOLT, Hex Flange Head, M10x1.50x110
11	00152344	3	J, T			ER0			NUT, .375-16
12	06502144	1	J, T			ER0			SCREW AND WASHER, Hex Head, M10x1.5x25
13	06502136	1	J, T			ER0			BOLT, Hex Flange Head, M10x1.50x55
14	06034093	2	J, T			ER0			STUD, .375-16x3.750
15	53008850	1	J, T			ER0			BRACKET, Alternator
16									SCREW AND WASHER, .375-16x1.125
	06025063	1	J, T			EPO			

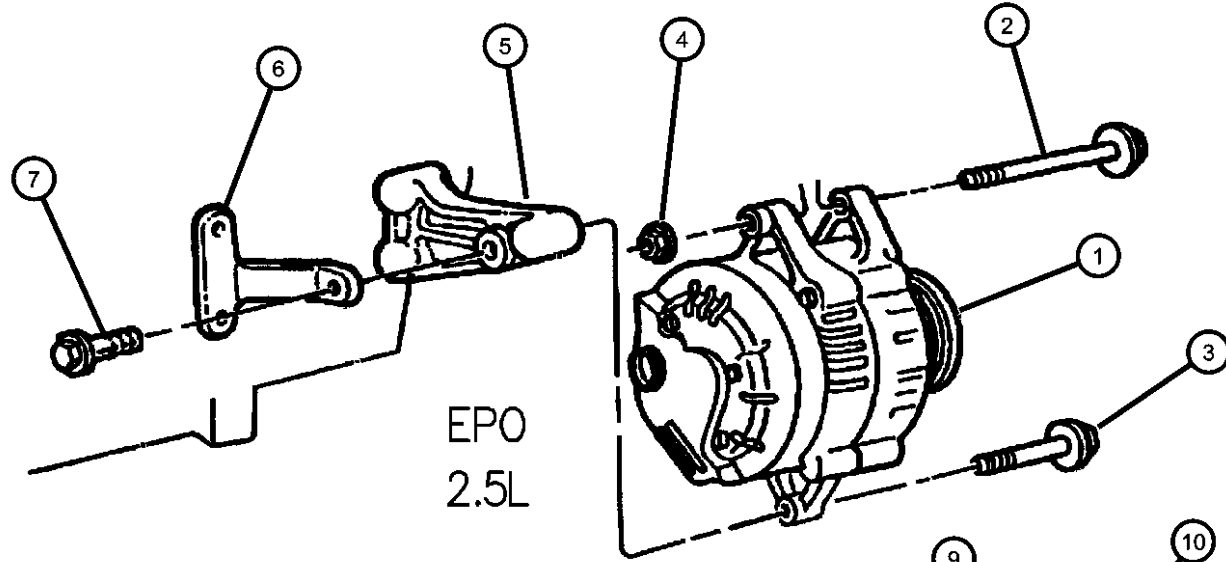
CHEROKEE (XJ)

SERIES	LINE	BODY	ENGINE	TRANSMISSION
H = Sport	T = JEEP - 2WD	74 = 4 Dr (101.4WB)	ENC = ENGINE - 2.5L 4 CYL TURBO DIESEL	DDD = TRANSMISSION - 5-SPEED HD MANUAL
L = SE	B = JEEP - 2WD (RHD)	72 = 2 Dr (101.4WB)	EPE = ENGINE - 2.5L POWER TECH I-4 Cyl.	DDQ = TRANSMISSION - 5-SPEED MANUAL
P = Classic	J = JEEP - 4WD		ERH = ENGINE - 4.0L POWER TECH I-6	DGD = TRANSMISSION - 3-SPD. AUTOMATIC,30RH
S = Limited	U = JEEP - 4WD (RHD)			DGK = TRANSMISSION - 4-SPD. AUTOMATIC,42RE
				DGS = TRANSMISSION-4SPD. AUTO,AISIN WARNER
				DGT = TRANSMISSION - 4-SPD. AUTOMATIC,46RE
				DGW = TRANSMISSION - 4-SPD. AUTOMATIC,44RE
				DGX = TRANSMISSION - 4-SPEED AUTOMATIC
				DBB = ALL MANUAL TRANSMISSIONS
				DGO = ALL AUTOMATIC TRANSMISSIONS

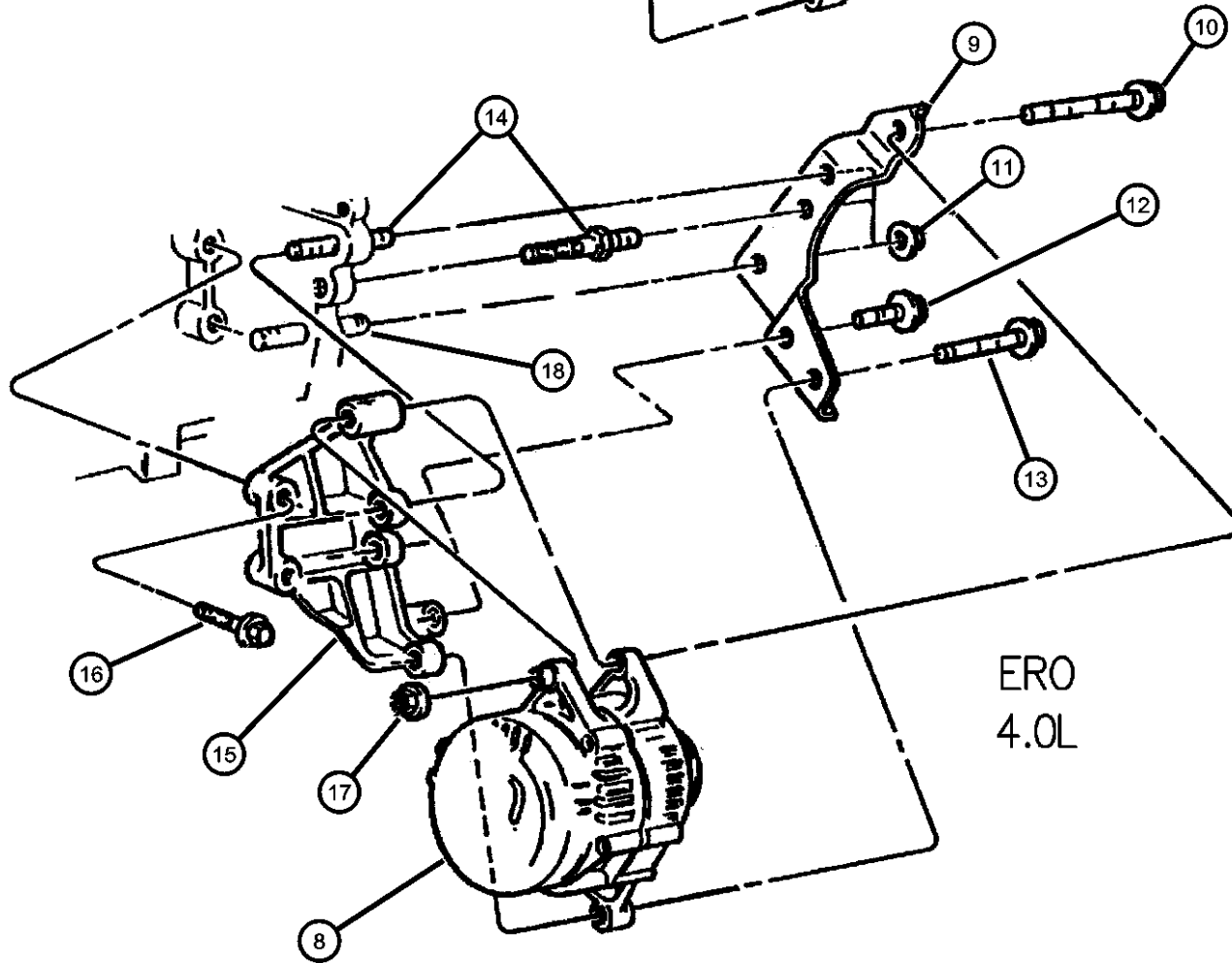
AR = use ase required - = Non illustrated part

Alternator 2.5L & 4.0L Engines L.H.D.
Figure 8-207

ITEM	PART NUMBER	QTY	LINE	SERIES	BODY	ENGINE	TRANS	TRIM	DESCRIPTION
------	-------------	-----	------	--------	------	--------	-------	------	-------------



		1	J, T			ER0			
17	06502135	1	J, T			ER0			NUT, Hex Flange, M10x1.5
18	06502135	1							STUD, .312-18/.375-16x2.875, (NOT SERVICED)



CHEROKEE (XJ)

SERIES	LINE
H = Sport	T = JEEP - 2WD
L = SE	B = JEEP - 2WD (RHD)
P = Classic	J = JEEP - 4WD
S = Limited	U = JEEP - 4WD (RHD)

BODY
74 = 4 Dr (101.4WB)
72 = 2 Dr (101.4WB)

ENGINE	TRANSMISSION
ENC = ENGINE - 2.5L 4 CYL TURBO DIESEL	DDD = TRANSMISSION - 5-SPEED HD MANUAL
EPE = ENGINE - 2.5L POWER TECH I-4 Cyl.	DDQ = TRANSMISSION - 5-SPEED MANUAL
ERH = ENGINE - 4.0L POWER TECH I-6	DGD = TRANSMISSION - 3-SPD. AUTOMATIC,30RH
	DGK = TRANSMISSION - 4-SPD. AUTOMATIC,42RE
	DGS = TRANSMISSION-4SPD. AUTO,AISIN WARNER
	DGT = TRANSMISSION - 4-SPD. AUTOMATIC,46RE
	DGW = TRANSMISSION - 4-SPD. AUTOMATIC,44RE
	DGX = TRANSMISSION - 4-SPEED AUTOMATIC
	DBB = ALL MANUAL TRANSMISSIONS
	DGO = ALL AUTOMATIC TRANSMISSIONS

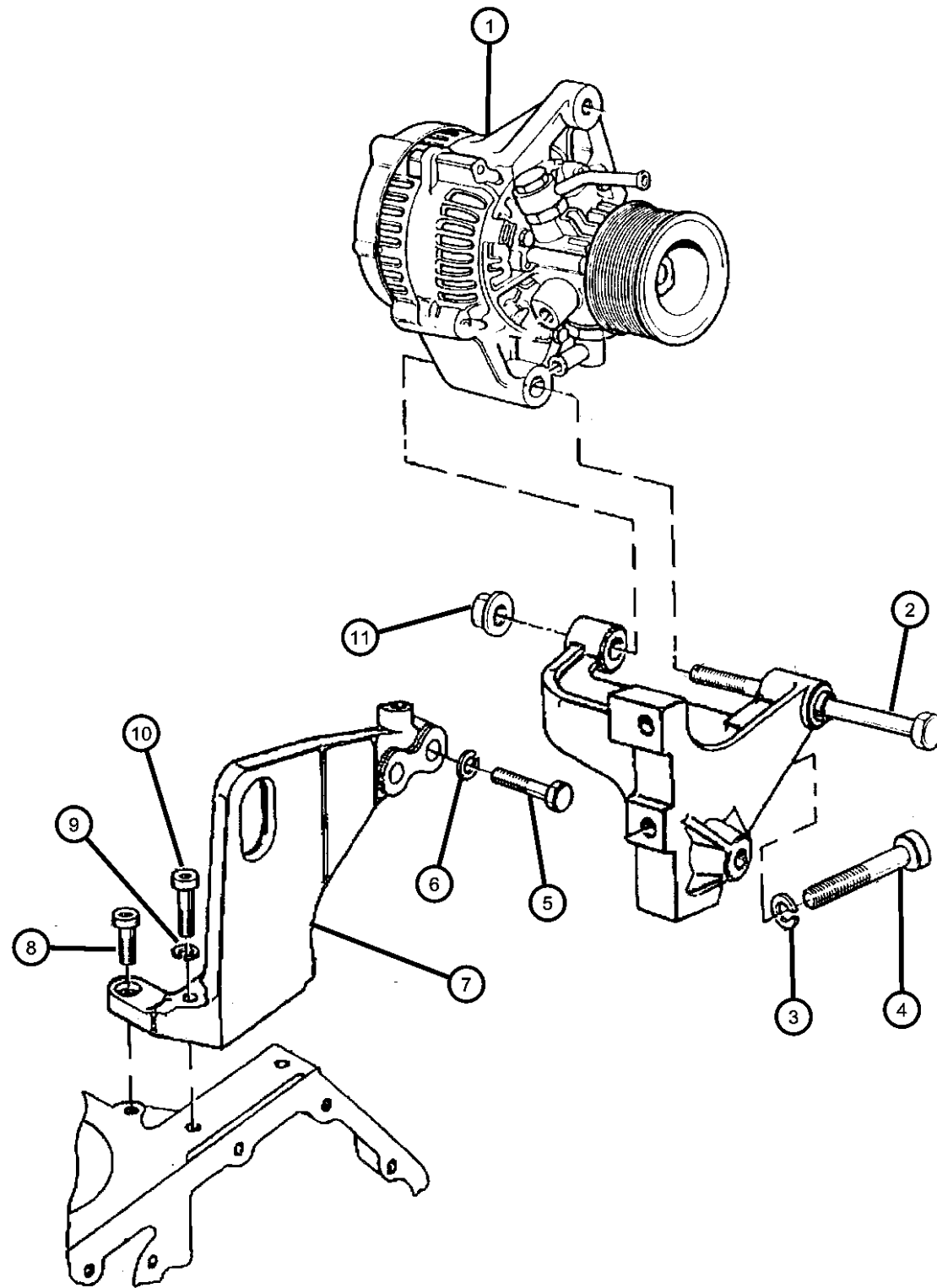
AR = use ase required - = Non illustrated part

2000 XJ

**Alternator Diesel Engine
Figure 8-210**

ITEM	PART NUMBER	QTY	LINE	SERIES	BODY	ENGINE	TRANS	TRIM	DESCRIPTION
------	-------------	-----	------	--------	------	--------	-------	------	-------------

EN0=4Cylinder Turbo Engine
DDQ=Manual Transmission 5 Speed



1	05014087AA	1				EN0			ALTERNATOR
2	05014087AA	1							SCREW, Cap, M10x150, (NOT SERVICED)
3	04864758	2				EN0			WASHER
4	04720684	1				EN0			BOLT
5	04720684	1							BOLT, Starter, (NOT SERVICED)
6	04723165	2				EN0			WASHER, P Clip
7									BRACKET, Alternator
	05003568AA	1				EN0			Lower
	05003569AA	1				EN0			Upper
8	04720684	1				EN0			BOLT
9	04210983	2	J, U			EN0	DDQ		WASHER, Flat
10	04797768	2				EN0			BOLT, Vacuum Pump Bracket, M10x35
11	04796038	1				EN0			NUT, Hex Flange, M10x1.5

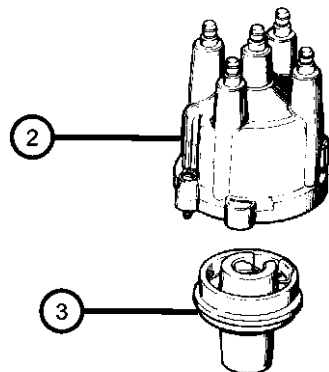
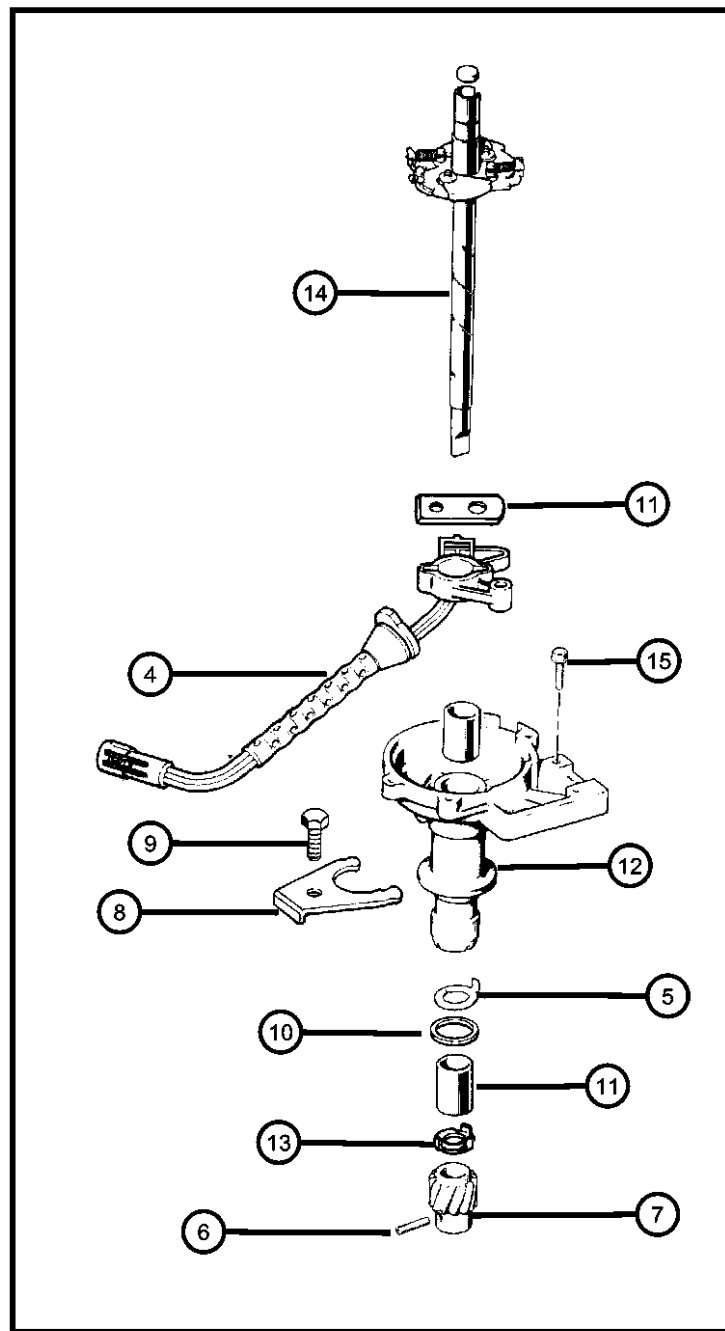
CHEROKEE (XJ)

SERIES	LINE	BODY	ENGINE	TRANSMISSION
H = Sport	T = JEEP - 2WD	74 = 4 Dr (101.4WB)	ENC = ENGINE - 2.5L 4 CYL TURBO DIESEL	DDD = TRANSMISSION - 5-SPEED HD MANUAL
L = SE	B = JEEP - 2WD (RHD)	72 = 2 Dr (101.4WB)	EPE = ENGINE - 2.5L POWER TECH I-4 Cyl.	DDQ = TRANSMISSION - 5-SPEED MANUAL
P = Classic	J = JEEP - 4WD		ERH = ENGINE - 4.0L POWER TECH I-6	DGD = TRANSMISSION - 3-SPD. AUTOMATIC,30RH
S = Limited	U = JEEP - 4WD (RHD)			DGK = TRANSMISSION - 4-SPD. AUTOMATIC,42RE
				DGS = TRANSMISSION-4SPD. AUTO,AISIN WARNER
				DGT = TRANSMISSION - 4-SPD. AUTOMATIC,46RE
				DGW = TRANSMISSION - 4-SPD. AUTOMATIC,44RE
				DGX = TRANSMISSION - 4-SPEED AUTOMATIC
				DBB = ALL MANUAL TRANSMISSIONS
				DGO = ALL AUTOMATIC TRANSMISSIONS

AR = use ase required - = Non illustrated part

2000 XJ

**Distributor 2.5L Engine
Figure 8-305**



ITEM	PART NUMBER	QTY	LINE	SERIES	BODY	ENGINE	TRANS	TRIM	DESCRIPTION
EP0=2.5L Engine DG0=Automatic Transmission DBB=Manual Transmission 5 Speed									
1	56041033	1				EP0			DISTRIBUTOR, Engine
2	53006152AB	1				EP0			CAP, Distributor
3	56027019	1				EP0			ROTOR, Distributor
4	56041030	1				EP0			SWITCHPLATE, Distributor
5	33004594	1				EP0			WASHER, Distributor Gear
6	09422127	1				EP0			ROLL PIN, .19x.75
7	83504635	1				EP0			GEAR, Distributor Drive
8	33004242	1				EP0			CLAMP, Distributor
9	06033479	6	B, T				DGD		BOLT, Hex Head, .25-28x1-5/8
10	J3181288	1				EP0			GASKET, Distributor
11	J3181288	1							SPACER, Distributor, Serviced w/Distributor, (NOT SERVICED)
12	J3181288	1							HOUSING, Distributor, Serviced w/Distributor, (NOT SERVICED)
13	J3181288	1							RETAINER, Serviced w/Distributor, (NOT SERVICED)
14	J3181288	1							SHAFT, Distributor, Serviced w/Distributor, (NOT SERVICED)
15	J3181288	1							SCREW, Serviced w/Distributor, (NOT SERVICED)

CHEROKEE (XJ)

SERIES	LINE
H = Sport	T = JEEP - 2WD
L = SE	B = JEEP - 2WD (RHD)
P = Classic	J = JEEP - 4WD
S = Limited	U = JEEP - 4WD (RHD)

BODY
74 = 4 Dr (101.4WB)
72 = 2 Dr (101.4WB)

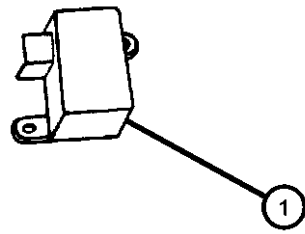
ENGINE
ENC = ENGINE - 2.5L 4 CYL TURBO DIESEL
EPE = ENGINE - 2.5L POWER TECH I-4 Cyl.
ERH = ENGINE - 4.0L POWER TECH I-6

TRANSMISSION
DDD = TRANSMISSION - 5-SPEED HD MANUAL
DDQ = TRANSMISSION - 5-SPEED MANUAL
DGD = TRANSMISSION - 3-SPD. AUTOMATIC,30RH
DGK = TRANSMISSION - 4-SPD. AUTOMATIC,42RE
DGS = TRANSMISSION-4SPD. AUTO,AISIN WARNER
DGT = TRANSMISSION - 4-SPD. AUTOMATIC,46RE
DGW = TRANSMISSION - 4-SPD. AUTOMATIC,44RE
DGX = TRANSMISSION - 4-SPEED AUTOMATIC
DBB = ALL MANUAL TRANSMISSIONS
DGO = ALL AUTOMATIC TRANSMISSIONS

AR = use ase required - = Non illustrated part

Modules
Figure 8-405

ITEM	PART NUMBER	QTY	LINE	SERIES	BODY	ENGINE	TRANS	TRIM	DESCRIPTION
									EP0=2.5L Engine ER0=4.0L Engine EN0=4Cylinder Turbo Engine DG0=Automatic Transmission DBB=Manual Transmission 5 Speed
1	56004262	1							MODULE, Daytime Running Lamp
-2	56009324	1							MODULE, Headlamp Delay
-3	56007323AE	1							MODULE, Air Bag Control
-4									MODULE, Transmission Control
	56041386AB	1				ER0	DG0		
	56041876AA	1				ER0	DG0		JAPAN
-5									MODULE PACKAGE, Keyless Entry
	05003378AC	1							
	05003382AB	1							EUROPE
-6	56009712AC	1							MODULE, Security Alarm, Sentry Key (Immobilizer Module)
-7	05003378AD	1							MODULE PACKAGE, Keyless Entry
-8	05003378AD	1							MODULE PACKAGE, Keyless Entry
-9									MODULE, Heated Front Seats
	56010159AD	1		J, T					74
		1		B, U					74



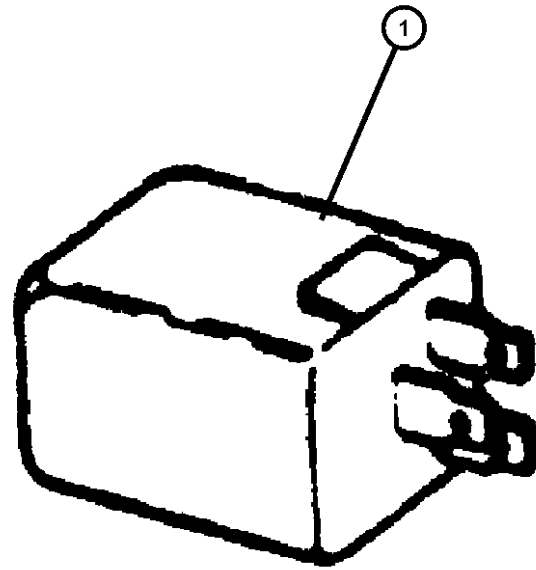
CHEROKEE (XJ)

SERIES	LINE	BODY	ENGINE	TRANSMISSION
H = Sport	T = JEEP - 2WD	74 = 4 Dr (101.4WB)	ENC = ENGINE - 2.5L 4 CYL TURBO DIESEL	DDD = TRANSMISSION - 5-SPEED HD MANUAL
L = SE	B = JEEP - 2WD (RHD)	72 = 2 Dr (101.4WB)	EPE = ENGINE - 2.5L POWER TECH I-4 Cyl.	DDQ = TRANSMISSION - 5-SPEED MANUAL
P = Classic	J = JEEP - 4WD		ERH = ENGINE - 4.0L POWER TECH I-6	DGD = TRANSMISSION - 3-SPD. AUTOMATIC,30RH
S = Limited	U = JEEP - 4WD (RHD)			DGK = TRANSMISSION - 4-SPD. AUTOMATIC,42RE
				DGS = TRANSMISSION-4SPD. AUTO,AISIN WARNER
				DGT = TRANSMISSION - 4-SPD. AUTOMATIC,46RE
				DGW = TRANSMISSION - 4-SPD. AUTOMATIC,44RE
				DGX = TRANSMISSION - 4-SPEED AUTOMATIC
				DBB = ALL MANUAL TRANSMISSIONS
				DGO = ALL AUTOMATIC TRANSMISSIONS

AR = use ase required - = Non illustrated part

Relays
Figure 8-510

ITEM	PART NUMBER	QTY	LINE	SERIES	BODY	ENGINE	TRANS	TRIM	DESCRIPTION
1	56009057	1	J, U						RELAYRear Fog Lamp
-2	56006846	2							RELAY, Electrical, T/Tow
-3	04638094	1							RELAY PACKAGE, Electrical
-4									RELAY, Mini
	04671168	1							A/C
		1							Fog Lamp
-5									FLASHER
	56009711	1	J, U						Flasher Combination, Export
	56021551	1							Turn Signal & Hazard,



CHEROKEE (XJ)

SERIES

H = Sport
L = SE
P = Classic
S = Limited

LINE

T = JEEP - 2WD
B = JEEP - 2WD (RHD)
J = JEEP - 4WD
U = JEEP - 4WD (RHD)

BODY

74 = 4 Dr (101.4WB)
72 = 2 Dr (101.4WB)

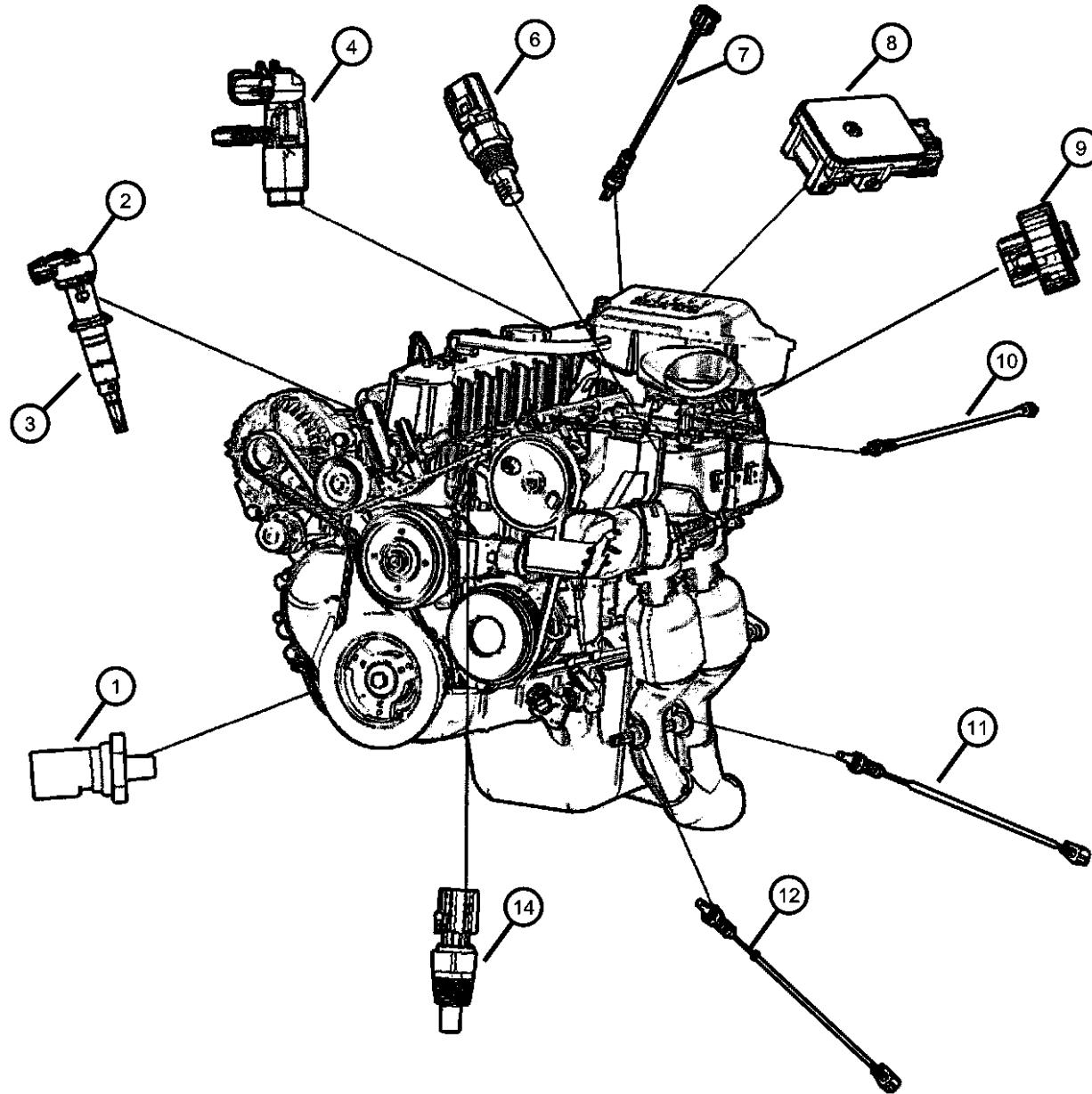
ENGINE

ENC = ENGINE - 2.5L 4 CYL TURBO DIESEL
EPE = ENGINE - 2.5L POWER TECH I-4 Cyl.
ERH = ENGINE - 4.0L POWER TECH I-6

TRANSMISSION

DDD = TRANSMISSION - 5-SPEED HD MANUAL
DDQ = TRANSMISSION - 5-SPEED MANUAL
DGD = TRANSMISSION - 3-SPD. AUTOMATIC,30RH
DGK = TRANSMISSION - 4-SPD. AUTOMATIC,42RE
DGS = TRANSMISSION-4SPD. AUTO,AISIN WARNER
DGT = TRANSMISSION - 4-SPD. AUTOMATIC,46RE
DGW = TRANSMISSION - 4-SPD. AUTOMATIC,44RE
DGX = TRANSMISSION - 4-SPEED AUTOMATIC
DBB = ALL MANUAL TRANSMISSIONS
DGO = ALL AUTOMATIC TRANSMISSIONS

Sensors 4.0L Engine
Figure 8-605



ITEM	PART NUMBER	QTY	LINE	SERIES	BODY	ENGINE	TRANS	TRIM	DESCRIPTION
------	-------------	-----	------	--------	------	--------	-------	------	-------------

Notes:
[ER0]=All 4.0L Engine
[DG0]=All Automatic Transmissions

1	56028807AA	1				EP0, ER0			SENDING UNIT, Oil Pressure
2	04897023AA	1				ER0			SENSOR, Camshaft
3	56041020	1				ER0			DRIVE, OIL PUMP, Oil Pump Drive Only
4	56027866AE	1				ER0			SENSOR, Crankshaft Position
-5	06503520	2				ER0			BOLT AND WASHER, Hex Head, M7x1.00x25, Crank Sensor attaching
6	56027872	1				EP0, ER0			SENSOR, Air Temperature
7	56041213AF	1				ER0			SENSOR, Oxygen, Before Catalyst Rear
8	56029405	1				EP0, ER0			SENSOR, MAP
9	04874371AC	1				ER0			SENSOR, Throttle Position
10	56041212AE	1				ER0			SENSOR, Oxygen, Before Catalyst Front
11	56041213AG	1				ER0, EP0			SENSOR, Oxygen After Catalyst
12	56044215AA	1				ER0			SENSOR, Oxygen, After Catalyst Front
-13	J4200413	2				EP0, ER0			PLUG, Cylinder Block Oil Hole, Oxygen sensor hole
14	56027873	1				EP0, ER0			SENSOR, Coolant Temperature
-15	33004242	1				ER0			CLAMP, Distributor, Sensor Hold Down

CHEROKEE (XJ)

SERIES LINE
H = Sport T = JEEP - 2WD
L = SE B = JEEP - 2WD (RHD)
P = Classic J = JEEP - 4WD
S = Limited U = JEEP - 4WD (RHD)

BODY
74 = 4 Dr (101.4WB)
72 = 2 Dr (101.4WB)

ENGINE
ENC = ENGINE - 2.5L 4 CYL TURBO DIESEL
EPE = ENGINE - 2.5L POWER TECH I-4 Cyl.
ERH = ENGINE - 4.0L POWER TECH I-6

TRANSMISSION
DDD = TRANSMISSION - 5-SPEED HD MANUAL
DDQ = TRANSMISSION - 5-SPEED MANUAL
DGD = TRANSMISSION - 3-SPD. AUTOMATIC,30RH
DGK = TRANSMISSION - 4-SPD. AUTOMATIC,42RE
DGS = TRANSMISSION-4SPD. AUTO,AISIN WARNER
DGT = TRANSMISSION - 4-SPD. AUTOMATIC,46RE
DGW = TRANSMISSION - 4-SPD. AUTOMATIC,44RE
DGX = TRANSMISSION - 4-SPEED AUTOMATIC
DBB = ALL MANUAL TRANSMISSIONS
DGO = ALL AUTOMATIC TRANSMISSIONS

AR = use ase required - = Non illustrated part

2000 XJ

**Sensors 2.5L Engine [EN0 Diesel]
Figure 8-610**

ITEM	PART NUMBER	QTY	LINE	SERIES	BODY	ENGINE	TRANS	TRIM	DESCRIPTION
[EN0]=All 4/5 Cylinder Turbo Diesel Engines [DBB]=All Manual Transmissions									
1	56028807AA	1				EN0			SENDING UNIT, Oil Pressure
2	56027963	1				EN0			SENSOR, Engine Electric Control
3	05003734AA	1				EN0			SENSOR, Air Temperature
4	05014067AA	2				EN0			SENSOR, Temperature Sending Unit

CHEROKEE (XJ)

SERIES	LINE	BODY	ENGINE	TRANSMISSION
H = Sport	T = JEEP - 2WD	74 = 4 Dr (101.4WB)	ENC = ENGINE - 2.5L 4 CYL TURBO DIESEL	DDD = TRANSMISSION - 5-SPEED HD MANUAL
L = SE	B = JEEP - 2WD (RHD)	72 = 2 Dr (101.4WB)	EPE = ENGINE - 2.5L POWER TECH I-4 Cyl.	DDQ = TRANSMISSION - 5-SPEED MANUAL
P = Classic	J = JEEP - 4WD		ERH = ENGINE - 4.0L POWER TECH I-6	DGD = TRANSMISSION - 3-SPD. AUTOMATIC,30RH
S = Limited	U = JEEP - 4WD (RHD)			DGK = TRANSMISSION - 4-SPD. AUTOMATIC,42RE
				DGS = TRANSMISSION-4SPD. AUTO,AISIN WARNER
				DGT = TRANSMISSION - 4-SPD. AUTOMATIC,46RE
				DGW = TRANSMISSION - 4-SPD. AUTOMATIC,44RE
				DGX = TRANSMISSION - 4-SPEED AUTOMATIC
				DBB = ALL MANUAL TRANSMISSIONS
				DGO = ALL AUTOMATIC TRANSMISSIONS

AR = use ase required - = Non illustrated part

**Sensor 2.5L [EP0 Gas Engine]
Figure 8-615**

ITEM	PART NUMBER	QTY	LINE	SERIES	BODY	ENGINE	TRANS	TRIM	DESCRIPTION
Notes: [EP0] = 2.5L Engine [ER0] = 4.0L Engine									
1	56041069	1				EP0			BRACKET, Oxygen Sensor
2	56041213AF	1				EP0			SENSOR, Oxygen
3	56041819AA	1				EP0			SENSOR, Crankshaft Position
4	56027872	1				EP0, ER0			SENSOR, Air Temperature
5	04874371AC	1				EP0			SENSOR, Throttle Position
6	56028807AA	1				EP0, ER0			SENDING UNIT, Oil Pressure
7	56041213AG	1				EP0, ER0			SENSOR, Oxygen
8	56041069	1				EP0			BRACKET, Oxygen Sensor
9	56027873	1				EP0, ER0			SENSOR, Coolant Temperature
10	56029405	1				EP0, ER0			SENSOR, MAP
-11	34202536	2				EP0	DGD		STUD, .312-18x2.26

CHEROKEE (XJ)

SERIES	LINE	BODY	ENGINE	TRANSMISSION
H = Sport	T = JEEP - 2WD	74 = 4 Dr (101.4WB)	ENC = ENGINE - 2.5L 4 CYL TURBO DIESEL	DDD = TRANSMISSION - 5-SPEED HD MANUAL
L = SE	B = JEEP - 2WD (RHD)	72 = 2 Dr (101.4WB)	EPE = ENGINE - 2.5L POWER TECH I-4 Cyl.	DDQ = TRANSMISSION - 5-SPEED MANUAL
P = Classic	J = JEEP - 4WD		ERH = ENGINE - 4.0L POWER TECH I-6	DGD = TRANSMISSION - 3-SPD. AUTOMATIC,30RH
S = Limited	U = JEEP - 4WD (RHD)			DGK = TRANSMISSION - 4-SPD. AUTOMATIC,42RE
				DGS = TRANSMISSION-4SPD. AUTO,AISIN WARNER
				DGT = TRANSMISSION - 4-SPD. AUTOMATIC,46RE
				DGW = TRANSMISSION - 4-SPD. AUTOMATIC,44RE
				DGX = TRANSMISSION - 4-SPEED AUTOMATIC
				DBB = ALL MANUAL TRANSMISSIONS
				DGO = ALL AUTOMATIC TRANSMISSIONS

AR = use ase required - = Non illustrated part

2000 XJ

**Sensors Drivetrain
Figure 8-620**

ITEM	PART NUMBER	QTY	LINE	SERIES	BODY	ENGINE	TRANS	TRIM	DESCRIPTION
1									SENSOR, Vehicle Speed
	04897734AA	2	J, U				DGS		
	56027905	1							

Notes:
[DGK]=4 Speed Automatic Transmission
[DGQ]=5 Speed Automatic Transmission

CHEROKEE (XJ)

SERIES	LINE	BODY	ENGINE	TRANSMISSION
H = Sport	T = JEEP - 2WD	74 = 4 Dr (101.4WB)	ENC = ENGINE - 2.5L 4 CYL TURBO DIESEL	DDD = TRANSMISSION - 5-SPEED HD MANUAL
L = SE	B = JEEP - 2WD (RHD)	72 = 2 Dr (101.4WB)	EPE = ENGINE - 2.5L POWER TECH I-4 Cyl.	DDQ = TRANSMISSION - 5-SPEED MANUAL
P = Classic	J = JEEP - 4WD		ERH = ENGINE - 4.0L POWER TECH I-6	DGD = TRANSMISSION - 3-SPD. AUTOMATIC,30RH
S = Limited	U = JEEP - 4WD (RHD)			DGK = TRANSMISSION - 4-SPD. AUTOMATIC,42RE
				DGS = TRANSMISSION-4SPD. AUTO,AISIN WARNER
				DGT = TRANSMISSION - 4-SPD. AUTOMATIC,46RE
				DGW = TRANSMISSION - 4-SPD. AUTOMATIC,44RE
				DGX = TRANSMISSION - 4-SPEED AUTOMATIC
				DBB = ALL MANUAL TRANSMISSIONS
				DGO = ALL AUTOMATIC TRANSMISSIONS

AR = use ase required - = Non illustrated part

2000 XJ

**Sensors Body
Figure 8-625**

ITEM	PART NUMBER	QTY	LINE	SERIES	BODY	ENGINE	TRANS	TRIM	DESCRIPTION
1	04688204AB	1							SENSOR, Ambient Temperature
2	56041053	1				EN0			SENSOR, Battery Temperature
3									SENSOR, Anti-Lock Brakes
	56005217	2	J						
		2	U						
4	55154979	1							SENSOR, Washer Fluid Level
5									SENSOR, Anti-Lock Brakes
	52005933	1							Left
	52005932	1							Right

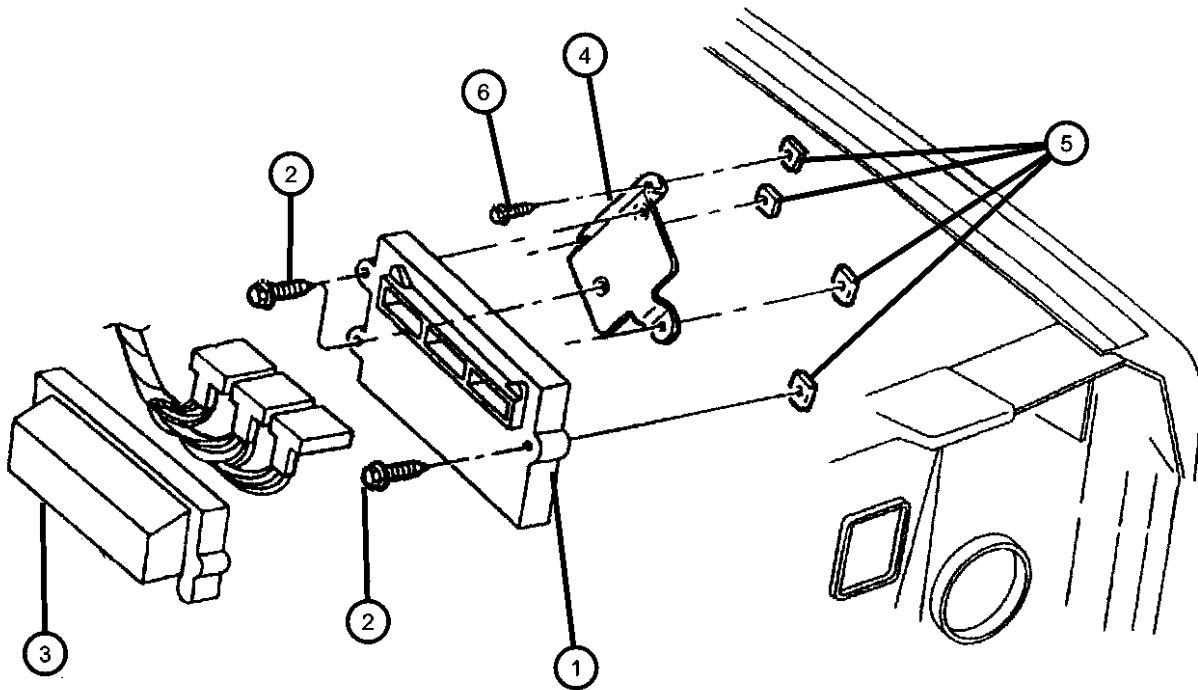
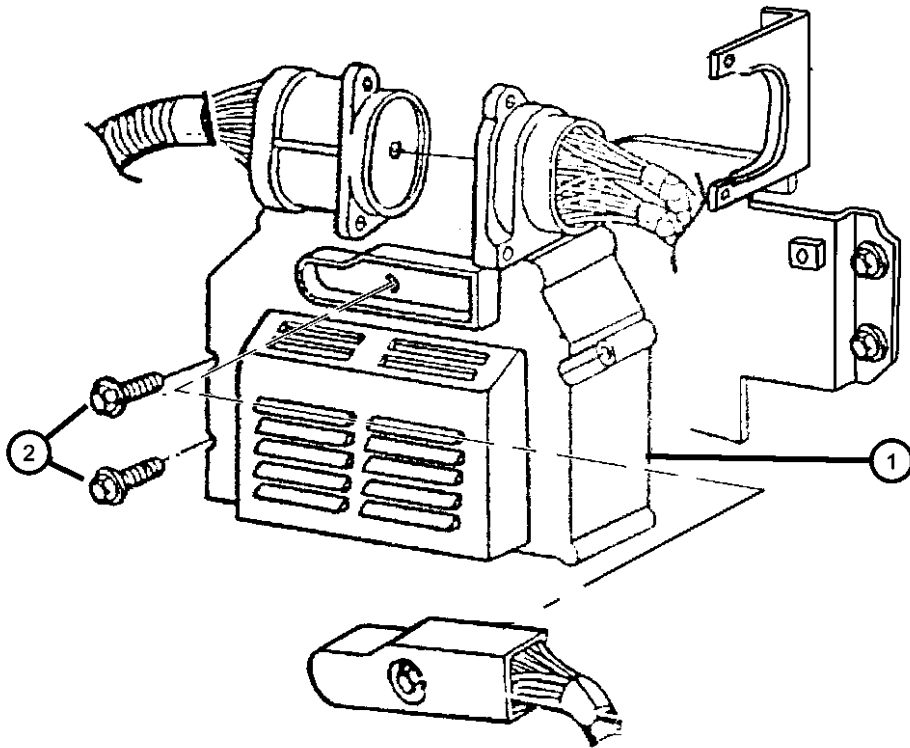
CHEROKEE (XJ)

SERIES	LINE	BODY	ENGINE	TRANSMISSION
H = Sport	T = JEEP - 2WD	74 = 4 Dr (101.4WB)	ENC = ENGINE - 2.5L 4 CYL TURBO DIESEL	DDD = TRANSMISSION - 5-SPEED HD MANUAL
L = SE	B = JEEP - 2WD (RHD)	72 = 2 Dr (101.4WB)	EPE = ENGINE - 2.5L POWER TECH I-4 Cyl.	DDQ = TRANSMISSION - 5-SPEED MANUAL
P = Classic	J = JEEP - 4WD		ERH = ENGINE - 4.0L POWER TECH I-6	DGD = TRANSMISSION - 3-SPD. AUTOMATIC,30RH
S = Limited	U = JEEP - 4WD (RHD)			DGK = TRANSMISSION - 4-SPD. AUTOMATIC,42RE
				DGS = TRANSMISSION-4SPD. AUTO,AISIN WARNER
				DGT = TRANSMISSION - 4-SPD. AUTOMATIC,46RE
				DGW = TRANSMISSION - 4-SPD. AUTOMATIC,44RE
				DGX = TRANSMISSION - 4-SPEED AUTOMATIC
				DBB = ALL MANUAL TRANSMISSIONS
				DGO = ALL AUTOMATIC TRANSMISSIONS

AR = use ase required - = Non illustrated part

2000 XJ

**Single Board Engine Controllers
Figure 8-710**



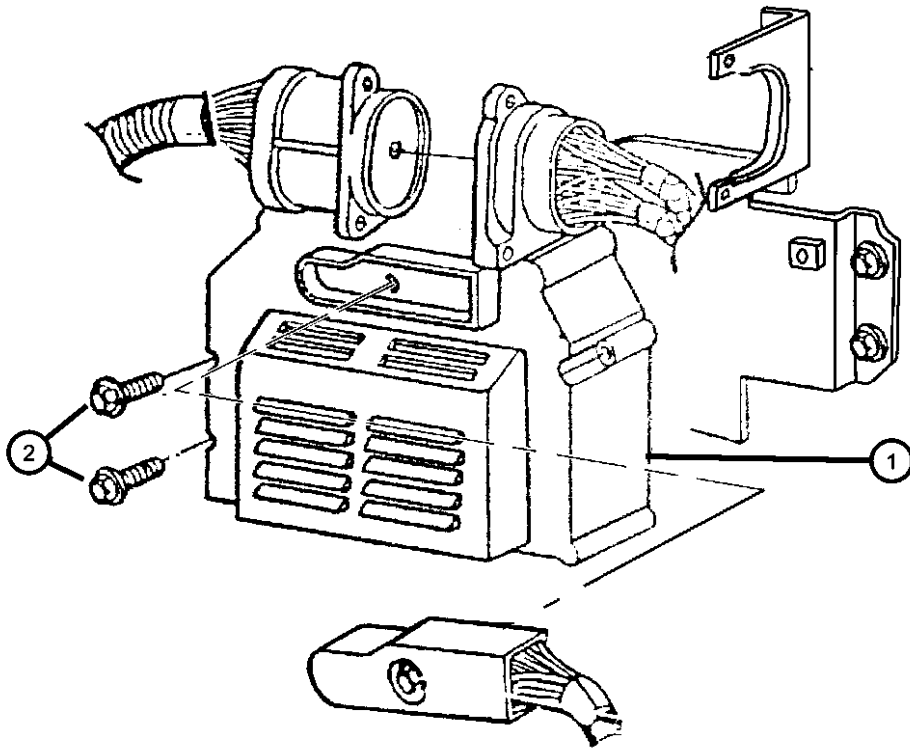
ITEM	PART NUMBER	QTY	LINE	SERIES	BODY	ENGINE	TRANS	TRIM	DESCRIPTION
EP0=2.5L Engine ER0=4.0L Engine EN0=4Cylinder Turbo Engine DG0=Automatic Transmission DBB=Manual Transmission 5 Speed									
1									MODULE, Powertrain Control
	56041632AD	1				ER0	DBB		4.0L Engine w/Export Emission
	56041633AD	1				ER0	DBB		4.0L Engine w/Leaded Fuel Emission
	56041634AE	1				ER0	DG0		4.0L Engine w/Federal Emission
	56041635AE	1				ER0	DG0		4.0L Engine w/California Emission
	56041636AD	1				ER0	DG0		4.0L Engine w/Export Emission
	56041639AD	1				ER0	DG0		4.0L Engine w/Leaded Fuel Emission
	56041640AB	1				EN0	DBB		Diesel Engine
	56041661AD	1				EP0	DBB		2.5L Engine w/Federal Emission
	56041662AD	1				EP0	DBB		2.5L Engine w/California Emission
	56041663AD	1				EP0	DBB		2.5L Engine w/Export Emission
	56041664AD	1				EP0	DBB		2.5L Engine w/Leaded Fuel Emission
	56041665AD	1				EP0	DG0		2.5L Engine w/Federal Emission
	56041666AD	1				EP0	DG0		2.5L Engine w/California Emission
	56041667AD	1				ER0	DBB		4.0L Engine w/Federal Emission
	56041668AD	1				ER0	DBB		4.0L Engine w/California Emission
	56041672AD	1				ER0	DBB		4.0L Engine w/European III Emission
	56041673AD	1				ER0	DG0		4.0L Engine w/European III Emission

CHEROKEE (XJ)

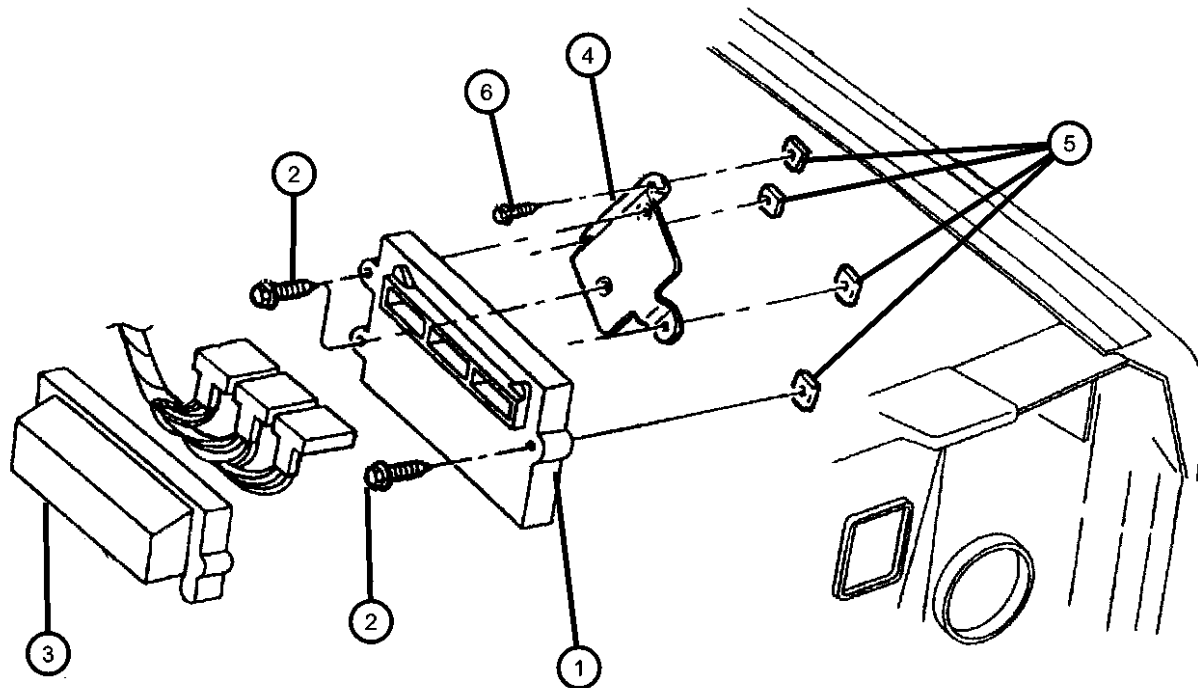
SERIES	LINE	BODY	ENGINE	TRANSMISSION
H = Sport	T = JEEP - 2WD	74 = 4 Dr (101.4WB)	ENC = ENGINE - 2.5L 4 CYL TURBO DIESEL	DDD = TRANSMISSION - 5-SPEED HD MANUAL
L = SE	B = JEEP - 2WD (RHD)	72 = 2 Dr (101.4WB)	EPE = ENGINE - 2.5L POWER TECH I-4 Cyl.	DDQ = TRANSMISSION - 5-SPEED MANUAL
P = Classic	J = JEEP - 4WD		ERH = ENGINE - 4.0L POWER TECH I-6	DGD = TRANSMISSION - 3-SPD. AUTOMATIC,30RH
S = Limited	U = JEEP - 4WD (RHD)			DGK = TRANSMISSION - 4-SPD. AUTOMATIC,42RE
				DGS = TRANSMISSION-4SPD. AUTO,AISIN WARNER
				DGT = TRANSMISSION - 4-SPD. AUTOMATIC,46RE
				DGW = TRANSMISSION - 4-SPD. AUTOMATIC,44RE
				DGX = TRANSMISSION - 4-SPEED AUTOMATIC
				DBB = ALL MANUAL TRANSMISSIONS
				DGO = ALL AUTOMATIC TRANSMISSIONS

AR = use ase required - = Non illustrated part

**Single Board Engine Controllers
Figure 8-710**



ITEM	PART NUMBER	QTY	LINE	SERIES	BODY	ENGINE	TRANS	TRIM	DESCRIPTION
2	56041673AD	1							SCREW, (NOT SERVICED),
3	56041673AD	1							COVER, Module, (NOT SERVICED)
4									BRACKET, Module
	56041067AC	1	J, T			EP0, ER0	DG0		
	56041372AC	1	J, T			EN0			
	56041561AC	1	B, U			EP0, ER0	DG0		
5	06100515	2				EN0			NUT, Hex Flange Lock, M5
6	00154552	3				EP0, ER0			SCREW, Hex Head, .190-16x.625
-7	56041588AA	1				EN0	DBB		MODULE, Engine Controller

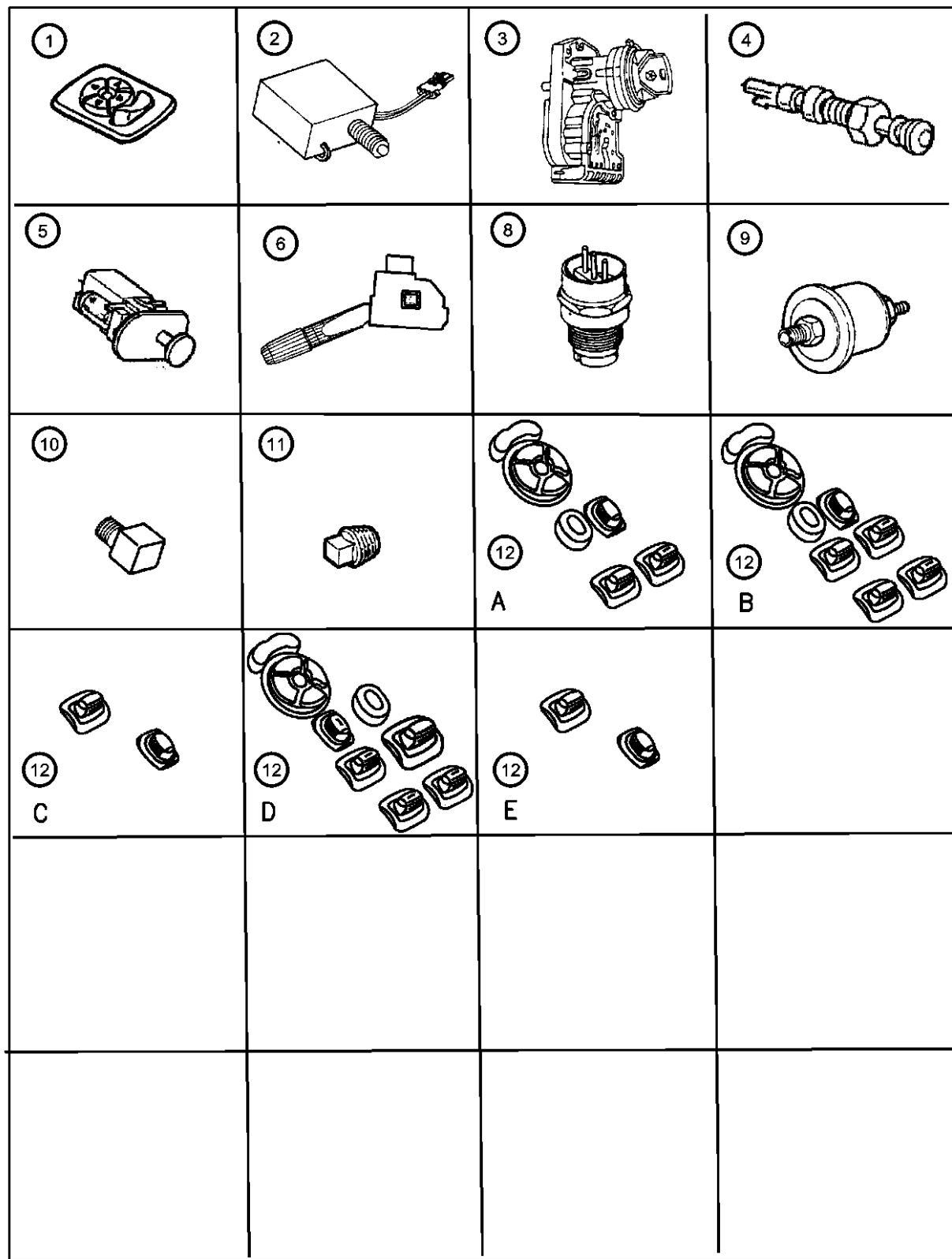


CHEROKEE (XJ)

SERIES	LINE	BODY	ENGINE	TRANSMISSION
H = Sport	T = JEEP - 2WD	74 = 4 Dr (101.4WB)	ENC = ENGINE - 2.5L 4 CYL TURBO DIESEL	DDD = TRANSMISSION - 5-SPEED HD MANUAL
L = SE	B = JEEP - 2WD (RHD)	72 = 2 Dr (101.4WB)	EPE = ENGINE - 2.5L POWER TECH I-4 Cyl.	DDQ = TRANSMISSION - 5-SPEED MANUAL
P = Classic	J = JEEP - 4WD		ERH = ENGINE - 4.0L POWER TECH I-6	DGD = TRANSMISSION - 3-SPD. AUTOMATIC,30RH
S = Limited	U = JEEP - 4WD (RHD)			DGK = TRANSMISSION - 4-SPD. AUTOMATIC,42RE
				DGS = TRANSMISSION-4SPD. AUTO,AISIN WARNER
				DGT = TRANSMISSION - 4-SPD. AUTOMATIC,46RE
				DGW = TRANSMISSION - 4-SPD. AUTOMATIC,44RE
				DGX = TRANSMISSION - 4-SPEED AUTOMATIC
				DBB = ALL MANUAL TRANSMISSIONS
				DGO = ALL AUTOMATIC TRANSMISSIONS

AR = use ase required - = Non illustrated part

Switches & Sending Units
Figure 8-810



ITEM	PART NUMBER	QTY	LINE	SERIES	BODY	ENGINE	TRANS	TRIM	DESCRIPTION
------	-------------	-----	------	--------	------	--------	-------	------	-------------

EP0=2.5L Engine
ER0=4.0L Engine
EN0=4Cylinder Turbo Engine
DG0=Automatic Transmission
DBB=Manual Transmission 5 Speed

1	56007678AB	1							SWITCH, Mirror
2	04671336	1							SWITCH, Stop Lamp
3	04565326	1					DG0		SWITCH, Ignition
4	04373296	1							SWITCH, Door Ajar
5	04373296	1							SWITCH, Glove Box Lamp, (NOT REQUIRED)
6	56010315AA	1					DG0		SWITCH, Multifunction
-7	04863839	1							CONNECTOR PACKAGE, Beam Select Switch
8	04882173	1	J, U				DGS		SWITCH, Neutral, Safety, Back Up
		1	B, T			ER0	DGS		
	56028181AB	1	B, T				DGD		
9	56028807AA	1				EP0, ER0			SENDING UNIT, Oil Pressure
		1				EN0			
10	J0934001	1				EP0			ELBOW, Oil Gauge Sending Unit
	J3212002AB	1				ER0			
11	J3212002AB	1							PLUG, Square Head, 1/8-27NPTx.32, (NOT REQUIRED)
12	56009449AC	1	J, T		74				SWITCH, Window and Door Lock
									Left Front Door, Power Mirrors, Power Windows & Power Locks

CHEROKEE (XJ)

SERIES	LINE	BODY	ENGINE	TRANSMISSION
H = Sport	T = JEEP - 2WD	74 = 4 Dr (101.4WB)	ENC = ENGINE - 2.5L 4 CYL TURBO DIESEL	DDD = TRANSMISSION - 5-SPEED HD MANUAL
L = SE	B = JEEP - 2WD (RHD)	72 = 2 Dr (101.4WB)	EPE = ENGINE - 2.5L POWER TECH I-4 Cyl.	DDQ = TRANSMISSION - 5-SPEED MANUAL
P = Classic	J = JEEP - 4WD		ERH = ENGINE - 4.0L POWER TECH I-6	DGD = TRANSMISSION - 3-SPD. AUTOMATIC,30RH
S = Limited	U = JEEP - 4WD (RHD)			DGK = TRANSMISSION - 4-SPD. AUTOMATIC,42RE
				DGS = TRANSMISSION-4SPD. AUTO,AISIN WARNER
				DGT = TRANSMISSION - 4-SPD. AUTOMATIC,46RE
				DGW = TRANSMISSION - 4-SPD. AUTOMATIC,44RE
				DGX = TRANSMISSION - 4-SPEED AUTOMATIC
				DBB = ALL MANUAL TRANSMISSIONS
				DGO = ALL AUTOMATIC TRANSMISSIONS

AR = use ase required - = Non illustrated part

Switches & Sending Units
Figure 8-810

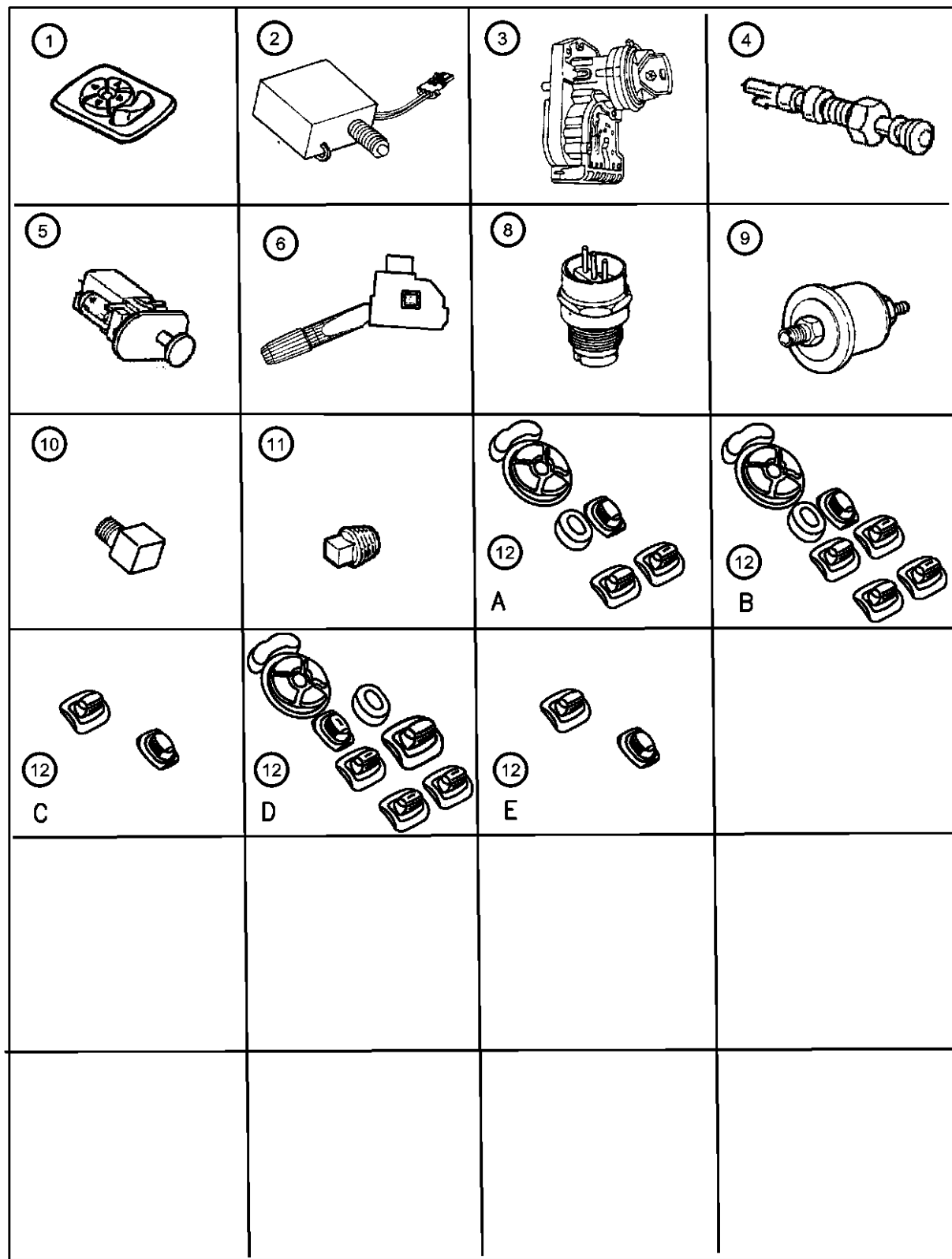
ITEM	PART NUMBER	QTY	LINE	SERIES	BODY	ENGINE	TRANS	TRIM	DESCRIPTION
1	56009450AC	1	J, T		72				Left Front Door, Power Windows & Power Locks
	56009451AC	1	J, T		72				Right Front Door, Power Windows & Power Locks
2		1	J, T		74				Right Front Door, Power Windows & Power Locks
		1	J, T		74				Power Mirrors, Power Windows & Power Locks
3	56009512AC	1	B, U		74				Power Windows & Power Locks
	56009571AC	1	B, U		74				Power Windows & Power Locks
4	-13	56007695	1		74				SWITCH, Power Window
	-14	56007249	1						SWITCH, Wiper and Washer, Rear
5									SWITCH, Speed Control
									Right
6	56007530AD	1							Left
	56007531AD	1							SWITCH, Fog Lamp
7									Front
									EUROPE, Rear
8	-17	56007250	1	J, U					SWITCH, Electric Back Light
	-18	56009869AB	1						SWITCH, Headlamp
9	-19	56021893AA	1						RETAINER, Headlamp Switch
	-20	56009376	1						KNOB AND SHAFT, Headlamp Switch
10	-21	56007675AB	1						SWITCH, Headlamp Leveling
	-22	04793313	1				DG0		SWITCH, Intermittent Wiper
11	-23	56008728	1						SWITCH, Extended Idle
	-24	52127960	1						SWITCH, Parking Brake
12	-25								BEZEL, Switch
		04897502AG	1						w/3 Switch Opening

CHEROKEE (XJ)

SERIES	LINE	BODY	ENGINE	TRANSMISSION
H = Sport	T = JEEP - 2WD	74 = 4 Dr (101.4WB)	ENC = ENGINE - 2.5L 4 CYL TURBO DIESEL	DDD = TRANSMISSION - 5-SPEED HD MANUAL
L = SE	B = JEEP - 2WD (RHD)	72 = 2 Dr (101.4WB)	EPE = ENGINE - 2.5L POWER TECH I-4 Cyl.	DDQ = TRANSMISSION - 5-SPEED MANUAL
P = Classic	J = JEEP - 4WD		ERH = ENGINE - 4.0L POWER TECH I-6	DGD = TRANSMISSION - 3-SPD. AUTOMATIC,30RH
S = Limited	U = JEEP - 4WD (RHD)			DGK = TRANSMISSION - 4-SPD. AUTOMATIC,42RE
				DGS = TRANSMISSION-4SPD. AUTO,AISIN WARNER
				DGT = TRANSMISSION - 4-SPD. AUTOMATIC,46RE
				DGW = TRANSMISSION - 4-SPD. AUTOMATIC,44RE
				DGX = TRANSMISSION - 4-SPEED AUTOMATIC
				DBB = ALL MANUAL TRANSMISSIONS
				DGO = ALL AUTOMATIC TRANSMISSIONS

AR = use ase required - = Non illustrated part

Switches & Sending Units
Figure 8-810



ITEM	PART NUMBER	QTY	LINE	SERIES	BODY	ENGINE	TRANS	TRIM	DESCRIPTION
	04897503AG	1							w/2 Switch Opening
	04897505AG	1							w/4 Switch Opening
-26									SWITCH, Heated Seat
	56010135AB	1							Right
	56010136AB	1							Left
-27	5GH07LAZAB	1							BEZEL, Floor Console Switch, Heated Seats Switch (Console) Agate
-28	04565031	2							SWITCH, Overhead Console Lamp

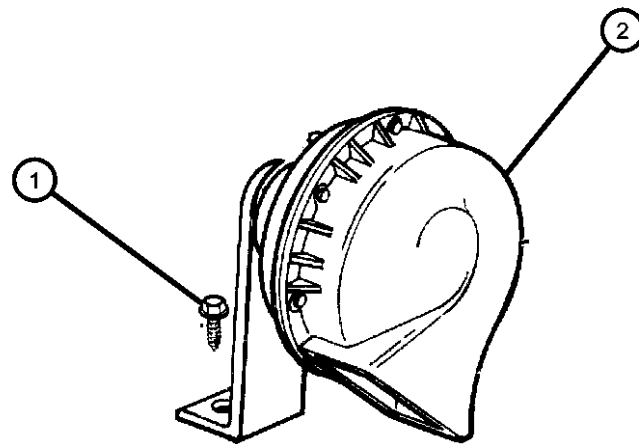
CHEROKEE (XJ)

SERIES	LINE	BODY	ENGINE	TRANSMISSION
H = Sport	T = JEEP - 2WD	74 = 4 Dr (101.4WB)	ENC = ENGINE - 2.5L 4 CYL TURBO DIESEL	DDD = TRANSMISSION - 5-SPEED HD MANUAL
L = SE	B = JEEP - 2WD (RHD)	72 = 2 Dr (101.4WB)	EPE = ENGINE - 2.5L POWER TECH I-4 Cyl.	DDQ = TRANSMISSION - 5-SPEED MANUAL
P = Classic	J = JEEP - 4WD		ERH = ENGINE - 4.0L POWER TECH I-6	DGD = TRANSMISSION - 3-SPD. AUTOMATIC,30RH
S = Limited	U = JEEP - 4WD (RHD)			DGK = TRANSMISSION - 4-SPD. AUTOMATIC,42RE
				DGS = TRANSMISSION-4SPD. AUTO,AISIN WARNER
				DGT = TRANSMISSION - 4-SPD. AUTOMATIC,46RE
				DGW = TRANSMISSION - 4-SPD. AUTOMATIC,44RE
				DGX = TRANSMISSION - 4-SPEED AUTOMATIC
				DBB = ALL MANUAL TRANSMISSIONS
				DGO = ALL AUTOMATIC TRANSMISSIONS

AR = use ase required - = Non illustrated part

Horns
Figure 8-910

ITEM	PART NUMBER	QTY	LINE	SERIES	BODY	ENGINE	TRANS	TRIM	DESCRIPTION
									EP0=2.5L Engine ER0=4.0L Engine EN0=4Cylinder Turbo Engine DDQ=Automatic 4 Speed AISIN
1	34202606	2	J, T			EP0			BOLT, Hex Head
2	56009614	1							HORN, High Note
-3	56009573	1							HORN, Low Note
-4	06024030	1				ER0			SCREW AND WASHER, Hex

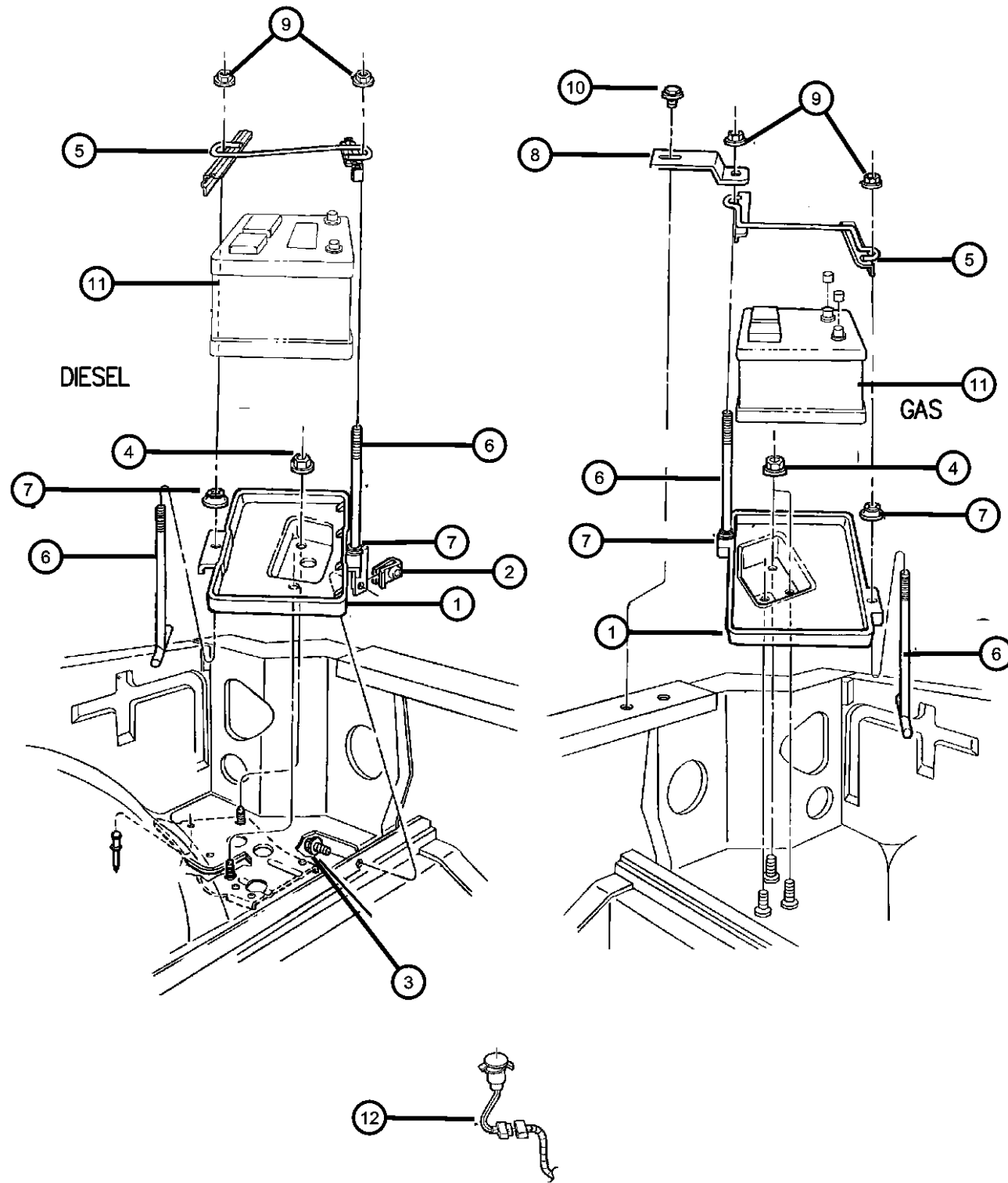


CHEROKEE (XJ)

SERIES	LINE	BODY	ENGINE	TRANSMISSION
H = Sport	T = JEEP - 2WD	74 = 4 Dr (101.4WB)	ENC = ENGINE - 2.5L 4 CYL TURBO DIESEL	DDD = TRANSMISSION - 5-SPEED HD MANUAL
L = SE	B = JEEP - 2WD (RHD)	72 = 2 Dr (101.4WB)	EPE = ENGINE - 2.5L POWER TECH I-4 Cyl.	DDQ = TRANSMISSION - 5-SPEED MANUAL
P = Classic	J = JEEP - 4WD		ERH = ENGINE - 4.0L POWER TECH I-6	DGD = TRANSMISSION - 3-SPD. AUTOMATIC,30RH
S = Limited	U = JEEP - 4WD (RHD)			DGK = TRANSMISSION - 4-SPD. AUTOMATIC,42RE
				DGS = TRANSMISSION-4SPD. AUTO,AISIN WARNER
				DGT = TRANSMISSION - 4-SPD. AUTOMATIC,46RE
				DGW = TRANSMISSION - 4-SPD. AUTOMATIC,44RE
				DGX = TRANSMISSION - 4-SPEED AUTOMATIC
				DBB = ALL MANUAL TRANSMISSIONS
				DGO = ALL AUTOMATIC TRANSMISSIONS

AR = use ase required - = Non illustrated part

Battery Tray
Figure 8-1005



ITEM	PART NUMBER	QTY	LINE	SERIES	BODY	ENGINE	TRANS	TRIM	DESCRIPTION
------	-------------	-----	------	--------	------	--------	-------	------	-------------

EP0=2.5L Engine
ER0=4.0L Engine
EN0=4Cylinder Turbo Engine

1									TRAY, Battery
	55174970	1				EN0			Repair Battery Terminal End Top Post (Ten Per Box)
	0VU01205								Repair Battery Terminal End Side Post (Ten Per Box)
	0VU01207								Repair Battery Terminal End Side Post (Ten Per Box)
	55235819AA	1				EP0, ER0			Mopar Power Pro 5
	BA034500EX								Mopar Power Pro 7
	BA078770EX								Mopar Jeep Xtreme
	JEEP034770								Mopar Universal Battery
	BAUNV34650								Mopar Universal Battery
	BAUNV75450								Mopar Universal Battery
	04671002								Mopar Power Pro 5
	BA034600EX								Mopar Power Pro 6
	05019837AA								Mopar Power Pro 7
	0VU01207								Repair Battery Terminal End Side Post (Ten Per Box)
	0VU01205								Repair Battery Terminal End Top Post (Ten Per Box)
2	55235819AA	1							NUT, U Type Multi Thread, M8 x 1.25, (NOT SERVICED)
3	11502693	1				EN0			BOLT, Hex Flange Head, M8-1.25x20.0
4	11502693	1							NUT AND CONED WASHER, M8x1.25, (NOT SERVICED)
5									BRACKET, Battery Hold Down
	55010722	1				EP0, ER0			

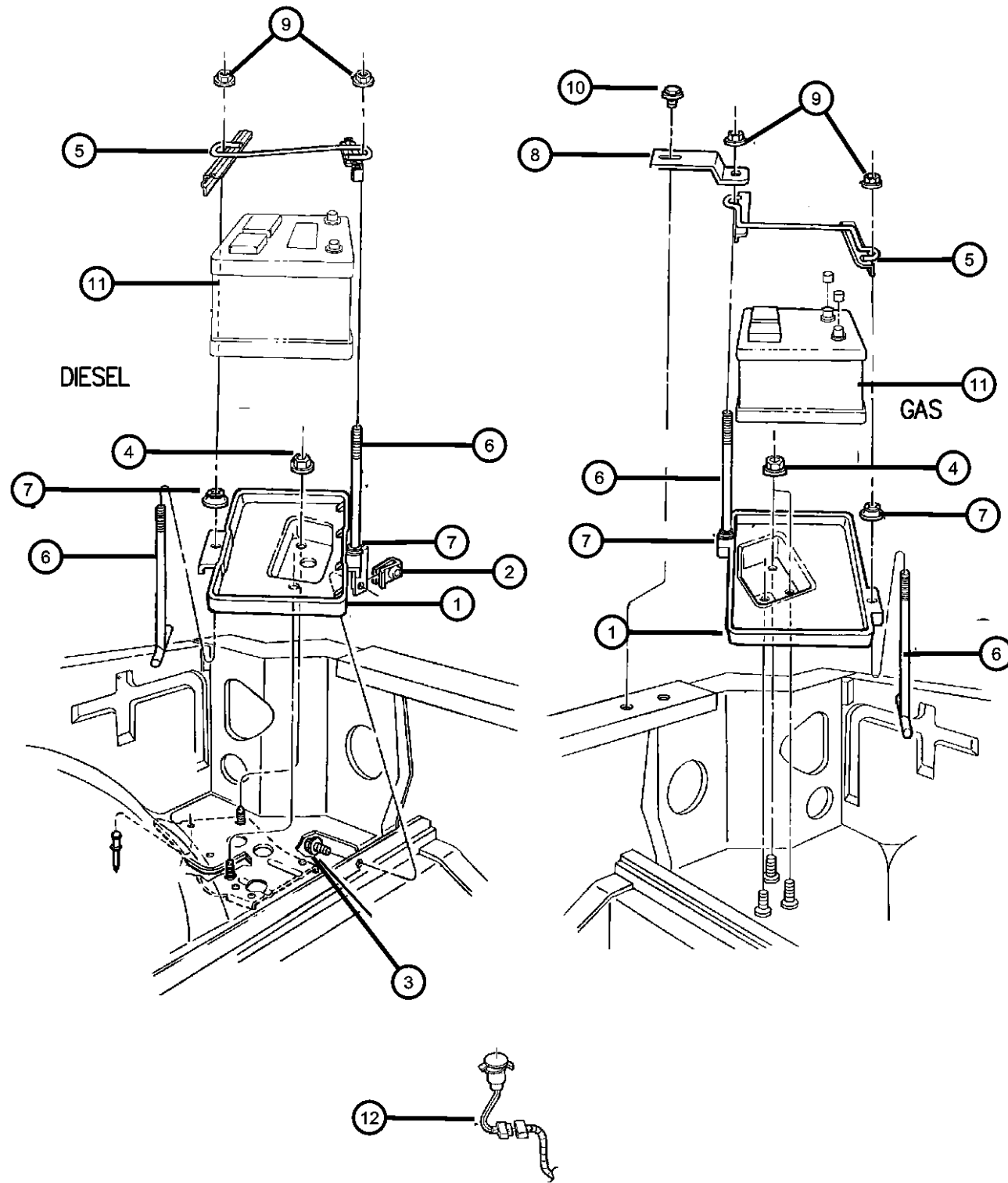
CHEROKEE (XJ)

SERIES	LINE	BODY	ENGINE	TRANSMISSION
H = Sport	T = JEEP - 2WD	74 = 4 Dr (101.4WB)	ENC = ENGINE - 2.5L 4 CYL TURBO DIESEL	DDD = TRANSMISSION - 5-SPEED HD MANUAL
L = SE	B = JEEP - 2WD (RHD)	72 = 2 Dr (101.4WB)	EPE = ENGINE - 2.5L POWER TECH I-4 Cyl.	DDQ = TRANSMISSION - 5-SPEED MANUAL
P = Classic	J = JEEP - 4WD		ERH = ENGINE - 4.0L POWER TECH I-6	DGD = TRANSMISSION - 3-SPD. AUTOMATIC,30RH
S = Limited	U = JEEP - 4WD (RHD)			DGK = TRANSMISSION - 4-SPD. AUTOMATIC,42RE
				DGS = TRANSMISSION-4SPD. AUTO,AISIN WARNER
				DGT = TRANSMISSION - 4-SPD. AUTOMATIC,46RE
				DGW = TRANSMISSION - 4-SPD. AUTOMATIC,44RE
				DGX = TRANSMISSION - 4-SPEED AUTOMATIC
				DBB = ALL MANUAL TRANSMISSIONS
				DGO = ALL AUTOMATIC TRANSMISSIONS

AR = use ase required - = Non illustrated part

2000 XJ

**Battery Tray
Figure 8-1005**



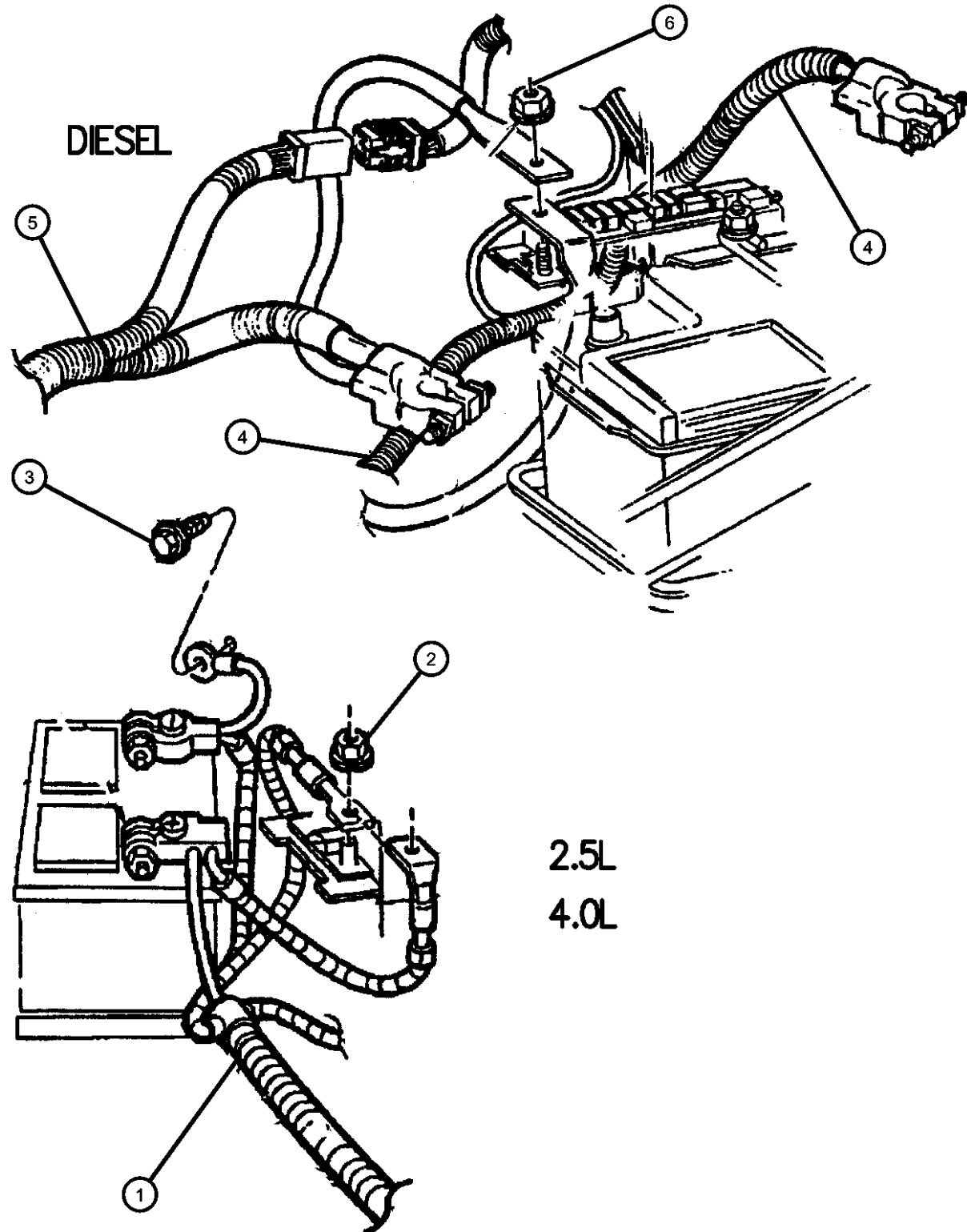
ITEM	PART NUMBER	QTY	LINE	SERIES	BODY	ENGINE	TRANS	TRIM	DESCRIPTION
	55011012	1				EN0			
6	55014375AB	2							BOLT, J, M8x1.25x192
7	55014375AB	2							RETAINER, Battery Hold Down, (NOT SERVICED)
8	55346107	1				EP0, ER0			STRAP, Battery
9	06101809	2							NUT AND WASHER, Hex, M8x1.25
10	06101455	1							SCREW AND WASHER, Hex Head, M6x1x20
11									COVER, Battery
	55176267	1				EN0			
	56041001AB	1				EP0, ER0			
12									SENSOR, Battery Temperature
	56027332	1				EP0, ER0			
	56041053	1				EN0			

CHEROKEE (XJ)

SERIES	LINE	BODY	ENGINE	TRANSMISSION
H = Sport	T = JEEP - 2WD	74 = 4 Dr (101.4WB)	ENC = ENGINE - 2.5L 4 CYL TURBO DIESEL	DDD = TRANSMISSION - 5-SPEED HD MANUAL
L = SE	B = JEEP - 2WD (RHD)	72 = 2 Dr (101.4WB)	EPE = ENGINE - 2.5L POWER TECH I-4 Cyl.	DDQ = TRANSMISSION - 5-SPEED MANUAL
P = Classic	J = JEEP - 4WD		ERH = ENGINE - 4.0L POWER TECH I-6	DGD = TRANSMISSION - 3-SPD. AUTOMATIC,30RH
S = Limited	U = JEEP - 4WD (RHD)			DGK = TRANSMISSION - 4-SPD. AUTOMATIC,42RE
				DGS = TRANSMISSION-4SPD. AUTO,AISIN WARNER
				DGT = TRANSMISSION - 4-SPD. AUTOMATIC,46RE
				DGW = TRANSMISSION - 4-SPD. AUTOMATIC,44RE
				DGX = TRANSMISSION - 4-SPEED AUTOMATIC
				DBB = ALL MANUAL TRANSMISSIONS
				DGO = ALL AUTOMATIC TRANSMISSIONS

AR = use ase required - = Non illustrated part

Battery Cables
Figure 8-1010



ITEM	PART NUMBER	QTY	LINE	SERIES	BODY	ENGINE	TRANS	TRIM	DESCRIPTION
------	-------------	-----	------	--------	------	--------	-------	------	-------------

EP0=2.5L Engine
ER0=4.0L Engine
EN0=4Cylinder Turbo Engine

1									WIRING, Battery
	56009782AD	1	J, T			EP0			
	56009783AD	1				ER0			
	56009784AD	1	B, U			EP0			
2	06035723	1							NUT AND WASHER, Hex Nut-E Teeth Washer, .312-18
3	00154554	1							SCREW, Self Piercing, .25-14x.625
4	56009787	1				EN0			WIRING, Battery Negative
5	56009785AD	1				EN0			WIRING, Battery Positive
6									NUT, Hex Flange Lock, M6x1
	06502691	1				EP0			
		1				ER0			
		1				EN0			

CHEROKEE (XJ)

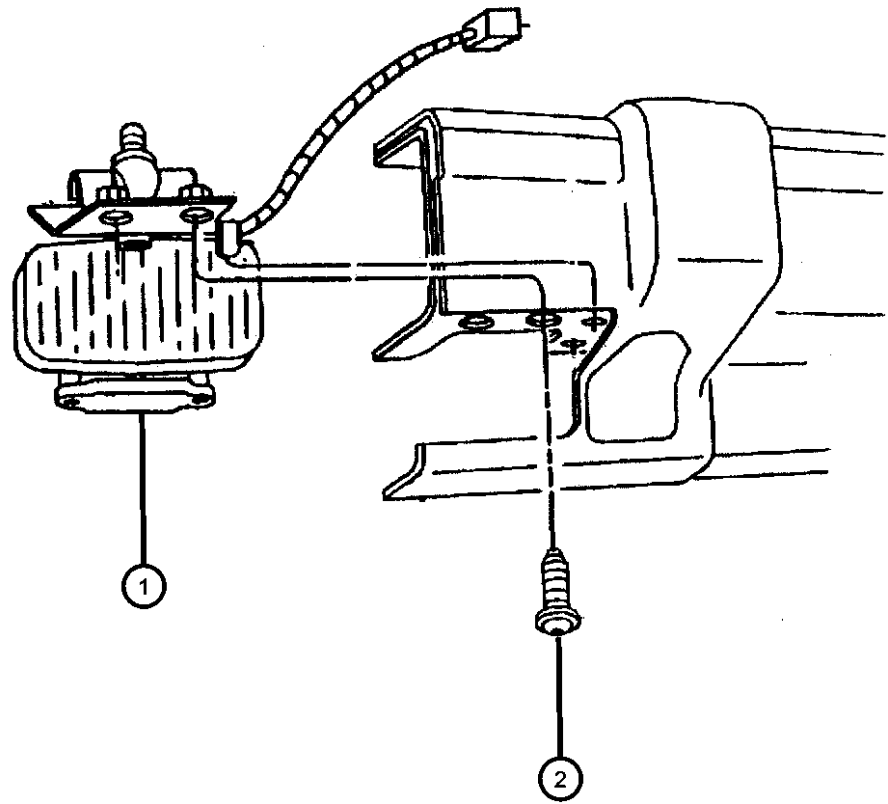
SERIES	LINE	BODY	ENGINE	TRANSMISSION
H = Sport	T = JEEP - 2WD	74 = 4 Dr (101.4WB)	ENC = ENGINE - 2.5L 4 CYL TURBO DIESEL	DDD = TRANSMISSION - 5-SPEED HD MANUAL
L = SE	B = JEEP - 2WD (RHD)	72 = 2 Dr (101.4WB)	EPE = ENGINE - 2.5L POWER TECH I-4 Cyl.	DDQ = TRANSMISSION - 5-SPEED MANUAL
P = Classic	J = JEEP - 4WD		ERH = ENGINE - 4.0L POWER TECH I-6	DGD = TRANSMISSION - 3-SPD. AUTOMATIC,30RH
S = Limited	U = JEEP - 4WD (RHD)			DGK = TRANSMISSION - 4-SPD. AUTOMATIC,42RE
				DGS = TRANSMISSION-4SPD. AUTO,AISIN WARNER
				DGT = TRANSMISSION - 4-SPD. AUTOMATIC,46RE
				DGW = TRANSMISSION - 4-SPD. AUTOMATIC,44RE
				DGX = TRANSMISSION - 4-SPEED AUTOMATIC
				DBB = ALL MANUAL TRANSMISSIONS
				DGO = ALL AUTOMATIC TRANSMISSIONS

AR = use ase required - = Non illustrated part

2000 XJ

Lamps Fog
Figure 8-1135

ITEM	PART NUMBER	QTY	LINE	SERIES	BODY	ENGINE	TRANS	TRIM	DESCRIPTION
1									LAMP AND BRACKET, Off Road Lamp
	55055274AB	1							Right
	55055275AB	1							Left
2	55055275AB	1							SCREW, Round Head, M8x1.25x30, (NOT SERVICED)
-3	04728646	1							BULB PACKAGE, 55 Watt



CHEROKEE (XJ)

SERIES	LINE
H = Sport	T = JEEP - 2WD
L = SE	B = JEEP - 2WD (RHD)
P = Classic	J = JEEP - 4WD
S = Limited	U = JEEP - 4WD (RHD)

BODY
74 = 4 Dr (101.4WB)
72 = 2 Dr (101.4WB)

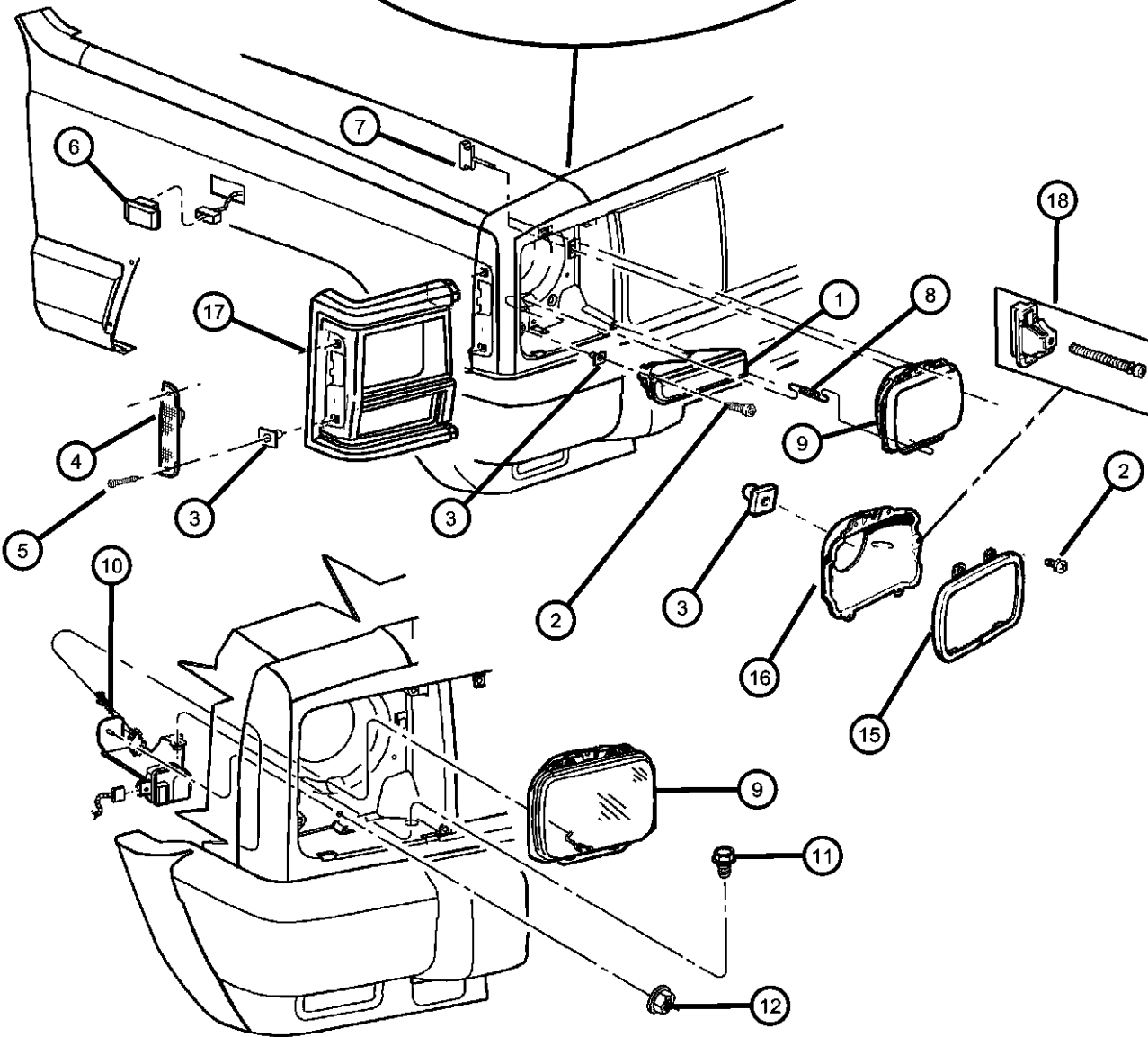
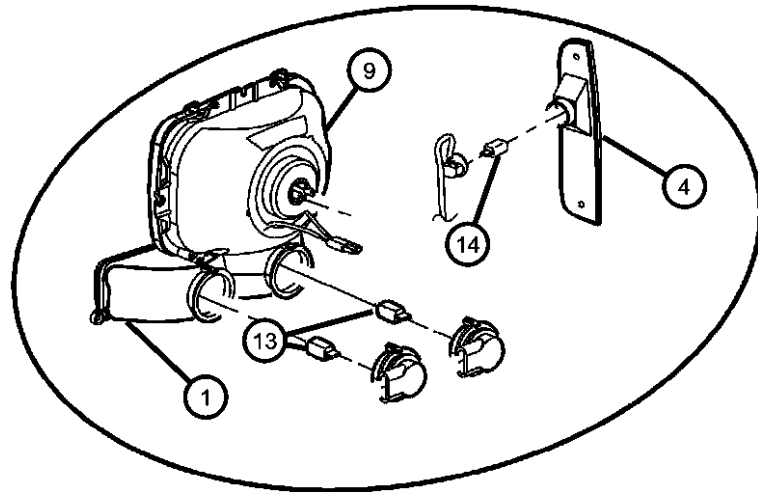
ENGINE
ENC = ENGINE - 2.5L 4 CYL TURBO DIESEL
EPE = ENGINE - 2.5L POWER TECH I-4 Cyl.
ERH = ENGINE - 4.0L POWER TECH I-6

TRANSMISSION
DDD = TRANSMISSION - 5-SPEED HD MANUAL
DDQ = TRANSMISSION - 5-SPEED MANUAL
DGD = TRANSMISSION - 3-SPD. AUTOMATIC,30RH
DGK = TRANSMISSION - 4-SPD. AUTOMATIC,42RE
DGS = TRANSMISSION-4SPD. AUTO,AISIN WARNER
DGT = TRANSMISSION - 4-SPD. AUTOMATIC,46RE
DGW = TRANSMISSION - 4-SPD. AUTOMATIC,44RE
DGX = TRANSMISSION - 4-SPEED AUTOMATIC
DBB = ALL MANUAL TRANSMISSIONS
DGO = ALL AUTOMATIC TRANSMISSIONS

AR = use ase required - = Non illustrated part

2000 XJ

Lamps Front
Figure 8-1140



ITEM	PART NUMBER	QTY	LINE	SERIES	BODY	ENGINE	TRANS	TRIM	DESCRIPTION
1									LAMP, Park and Turn Signal
	55055142	1							Right
	55055143	1							Left
2	34201230	4							SCREW, Round Washer Head AB
3	06035657	4							NUT, Plastic Snap-In, For .164-15 Screw
4									LAMP, Side Marker
	55055146	1							USA, Mexico & Canada, Right
	55055147	1							USA, Mexico & Canada, Left
	55055148	1							Europe, Right
	55055149	1							Europe, Left
5	55055149	1							SCREW, Pan Head, M4.2x1.41x20, (NOT SERVICED),
6	55055014	2							LAMP, Side Repeater, Europe
7	55054621AB	4							SCREW AND NUT, Headlamp Adjustment
8	36000885	2							SPRING, Headlamp Adjusting
9									HEADLAMP
	55055296AE	1			B, U				Europe with out Leveling, Right
	55055297AE	1			B, U				Europe with out Leveling, Left
	55055298AE	1			J, T				Europe with Leveling, Right
	55055299AE	1			J, T				Europe with Leveling, Left
	55055300AF	1							Domestic with out Leveling (Type 2B1), Right
	55055301AF	1							Domestic with out Leveling (Type 2B1), Left
	55055302AE	1			J, T				Europe with out Leveling (Clear), Right

CHEROKEE (XJ)

SERIES

H = Sport
L = SE
P = Classic
S = Limited

LINE

T = JEEP - 2WD
B = JEEP - 2WD (RHD)
J = JEEP - 4WD
U = JEEP - 4WD (RHD)

BODY

74 = 4 Dr (101.4WB)
72 = 2 Dr (101.4WB)

ENGINE

ENC = ENGINE - 2.5L 4 CYL TURBO DIESEL
EPE = ENGINE - 2.5L POWER TECH I-4 Cyl.
ERH = ENGINE - 4.0L POWER TECH I-6

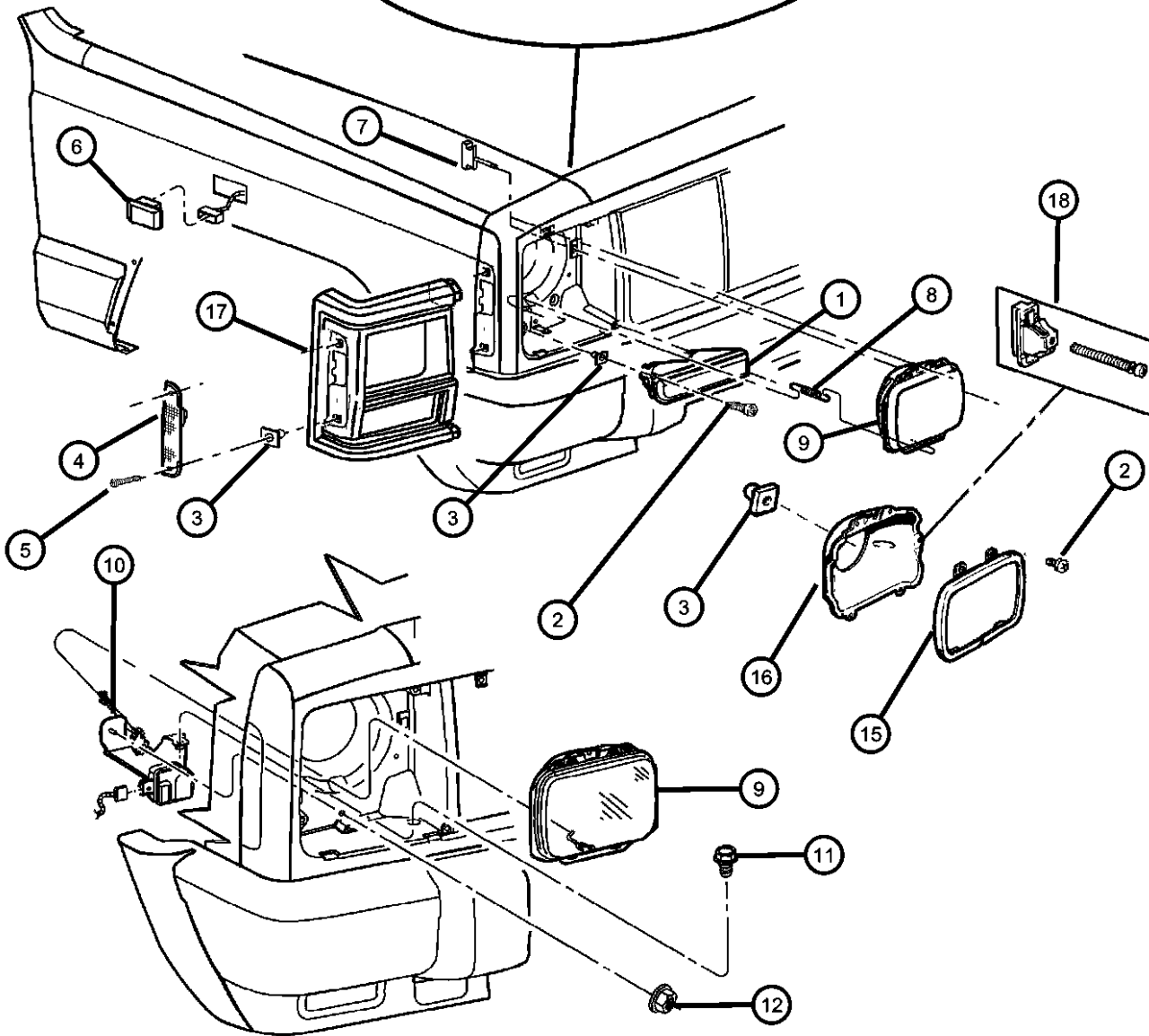
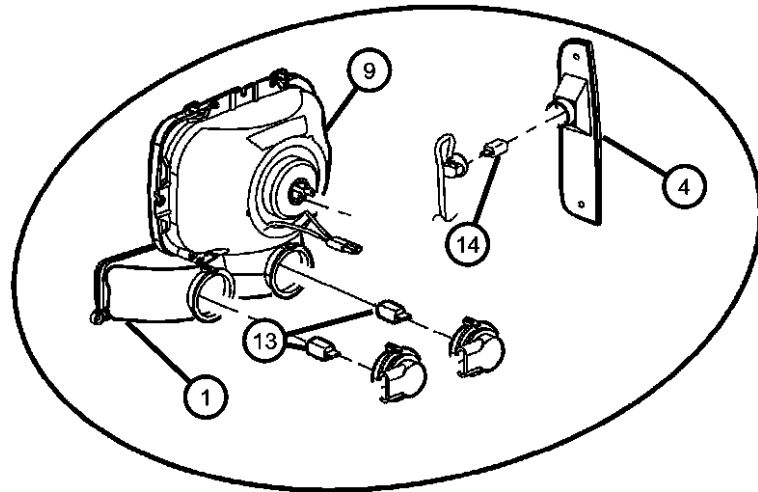
TRANSMISSION

DDD = TRANSMISSION - 5-SPEED HD MANUAL
DDQ = TRANSMISSION - 5-SPEED MANUAL
DGD = TRANSMISSION - 3-SPD. AUTOMATIC,30RH
DGK = TRANSMISSION - 4-SPD. AUTOMATIC,42RE
DGS = TRANSMISSION-4SPD. AUTO,AISIN WARNER
DGT = TRANSMISSION - 4-SPD. AUTOMATIC,46RE
DGW = TRANSMISSION - 4-SPD. AUTOMATIC,44RE
DGX = TRANSMISSION - 4-SPEED AUTOMATIC
DBB = ALL MANUAL TRANSMISSIONS
DGO = ALL AUTOMATIC TRANSMISSIONS

AR = use ase required - = Non illustrated part

2000 XJ

Lamps Front
Figure 8-1140



ITEM	PART NUMBER	QTY	LINE	SERIES	BODY	ENGINE	TRANS	TRIM	DESCRIPTION
	55055303AE	1	J, T						Europe with out Leveling (Clear), Left
	55155330AE	1	B, U						Europe with Leveling, Right
	55155331AE	1	B, U						Europe with Leveling, Left
10									ACTUATOR, Headlamp
	55055240AC	1							Right
	55055241AC	1							Left
11	06101455	2							SCREW AND WASHER, Hex Head, M6x1x20
12	06100044	2							NUT AND WASHER, Hex, M5x0.80
13	L0003157	4							BULB, 3157, Front Park/Turn Signal
14	L0000168	2							BULB, 168, Front Side Marker Lamp
15									RETAINER, Headlamp Bulb
	04897198AA	1	J, T						without Leveling
		1	B, U						without Leveling
	04897199AC	1	B, U						with Leveling
		1	J, T						with Leveling
16									SEAT, Headlamp
	04897196AB	1							Right
	04897197AB	1							Left
17									BEZEL, Headlamp
	55055136	1							Black, Right
	55055137	1							Black, Left
	55156030AA	1							Chrome, Right
	55156031AA	1							Chrome, Left

CHEROKEE (XJ)

SERIES	LINE
H = Sport	T = JEEP - 2WD
L = SE	B = JEEP - 2WD (RHD)
P = Classic	J = JEEP - 4WD
S = Limited	U = JEEP - 4WD (RHD)

BODY
74 = 4 Dr (101.4WB)
72 = 2 Dr (101.4WB)

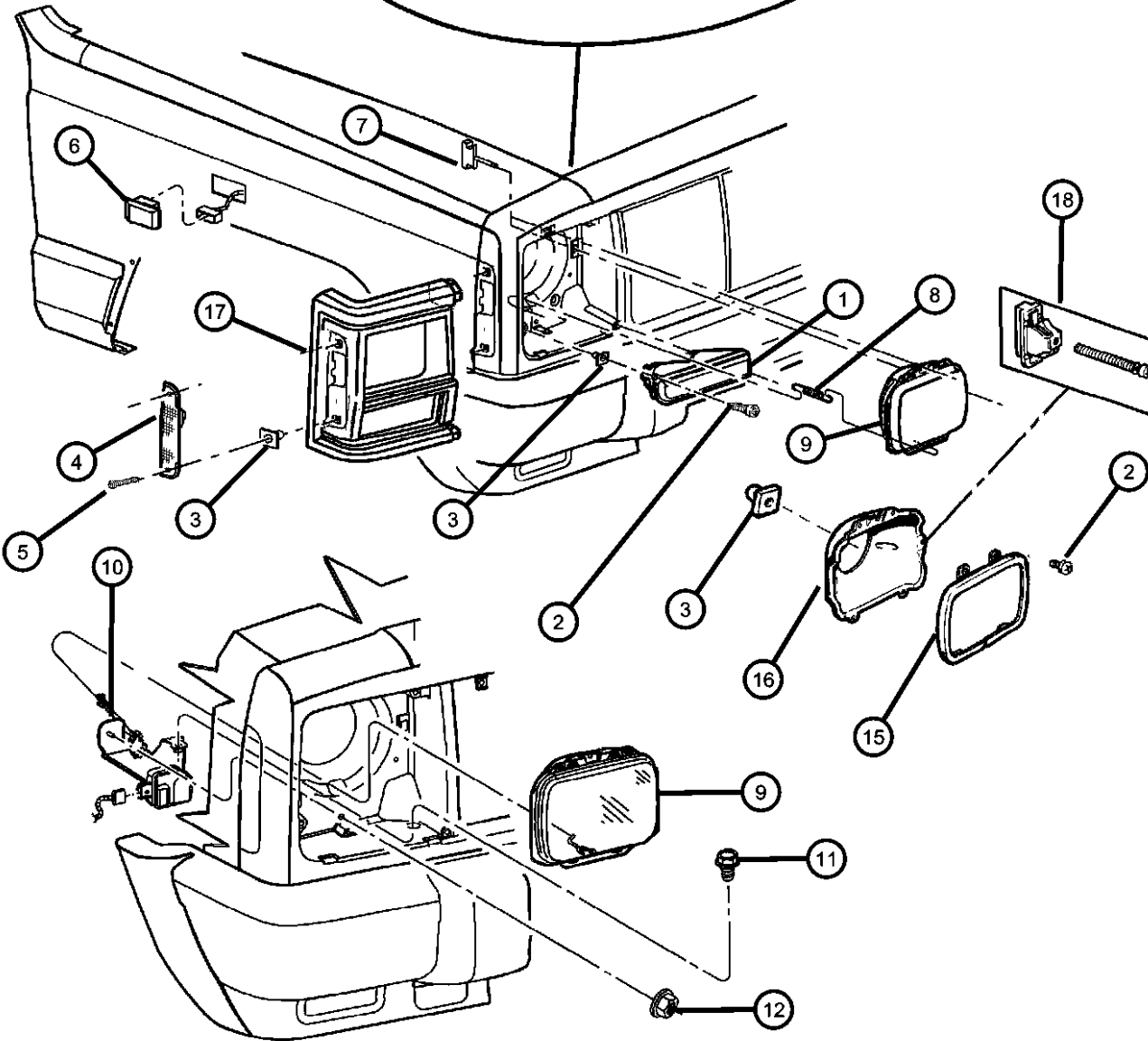
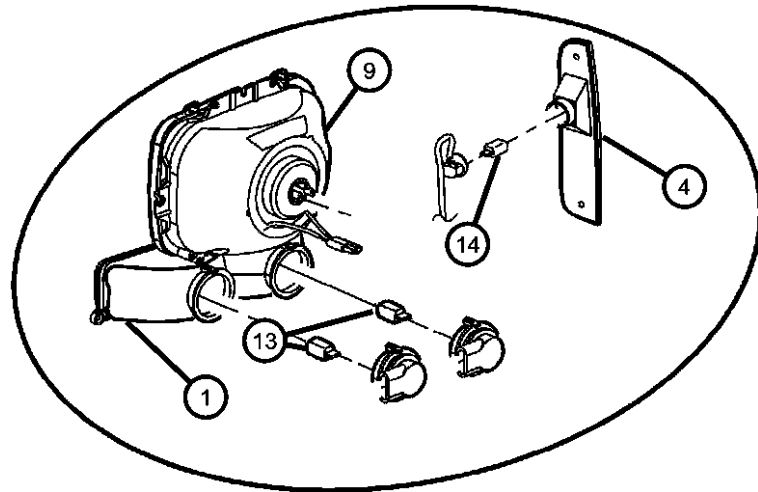
ENGINE
ENC = ENGINE - 2.5L 4 CYL TURBO DIESEL
EPE = ENGINE - 2.5L POWER TECH I-4 Cyl.
ERH = ENGINE - 4.0L POWER TECH I-6

TRANSMISSION
DDD = TRANSMISSION - 5-SPEED HD MANUAL
DDQ = TRANSMISSION - 5-SPEED MANUAL
DGD = TRANSMISSION - 3-SPD. AUTOMATIC,30RH
DGK = TRANSMISSION - 4-SPD. AUTOMATIC,42RE
DGS = TRANSMISSION-4SPD. AUTO,AISIN WARNER
DGT = TRANSMISSION - 4-SPD. AUTOMATIC,46RE
DGW = TRANSMISSION - 4-SPD. AUTOMATIC,44RE
DGX = TRANSMISSION - 4-SPEED AUTOMATIC
DBB = ALL MANUAL TRANSMISSIONS
DGO = ALL AUTOMATIC TRANSMISSIONS

AR = use ase required - = Non illustrated part

2000 XJ

Lamps Front
Figure 8-1140



ITEM	PART NUMBER	QTY	LINE	SERIES	BODY	ENGINE	TRANS	TRIM	DESCRIPTION
	5EM72SW1	1							Paint as Required (Body Color), Right
	5EM73SW1	1							Paint as Required (Body Color), Left
18	55054621AB	4							SCREW AND NUT, Headlamp Adjustment
-19									BULB, Headlamp
	55054827	1	B, U						(Europe) Bulbs J3242537 & 4882328 Included
	56000887	1	J, T						(Europe) Bulbs J3242537 & L0003893 Included
-20									BULB, H4 Clear
	J3242537	1	B, U						Europe
		1	J, T						Europe
-21	04882328	1	B, U						BULB, 4 Watt - Bayonette Type, Europe
-22	L0003893	1	J, T						BULB, T8/4, Europe
-23	00154911AA	1							BULB, H6054BL, Domestic
	P00H6054ST								SilverStar
	LBK11001								Light Bulb Kit (Assorted Bulbs and Fuses)
-24	00154911AA	1							LABEL, Headlamp Leveling, (NOT SERVICED)

CHEROKEE (XJ)

SERIES	LINE
H = Sport	T = JEEP - 2WD
L = SE	B = JEEP - 2WD (RHD)
P = Classic	J = JEEP - 4WD
S = Limited	U = JEEP - 4WD (RHD)

BODY
74 = 4 Dr (101.4WB)
72 = 2 Dr (101.4WB)

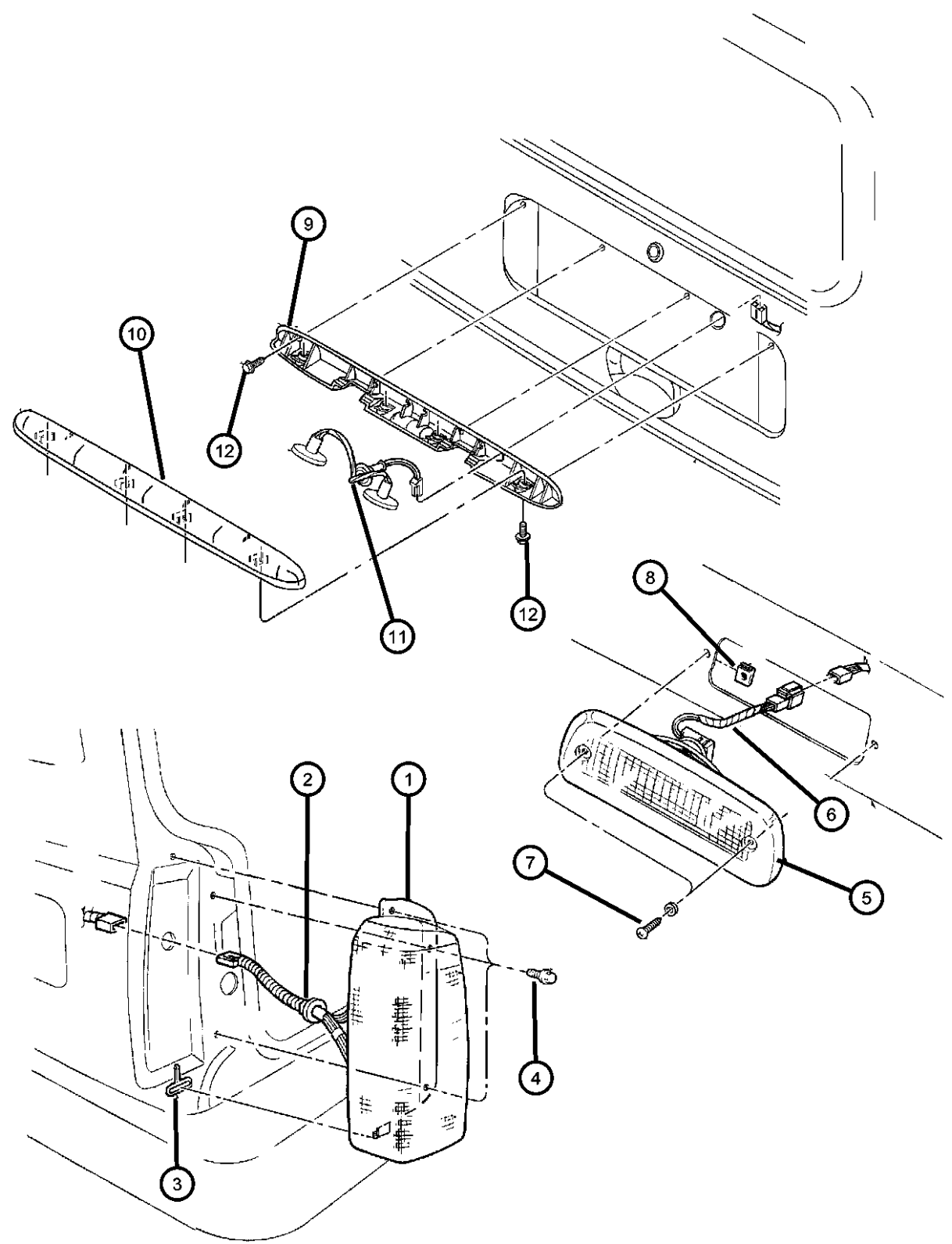
ENGINE
ENC = ENGINE - 2.5L 4 CYL TURBO DIESEL
EPE = ENGINE - 2.5L POWER TECH I-4 Cyl.
ERH = ENGINE - 4.0L POWER TECH I-6

TRANSMISSION
DDD = TRANSMISSION - 5-SPEED HD MANUAL
DDQ = TRANSMISSION - 5-SPEED MANUAL
DGD = TRANSMISSION - 3-SPD. AUTOMATIC,30RH
DGK = TRANSMISSION - 4-SPD. AUTOMATIC,42RE
DGS = TRANSMISSION-4SPD. AUTO,AISIN WARNER
DGT = TRANSMISSION - 4-SPD. AUTOMATIC,46RE
DGW = TRANSMISSION - 4-SPD. AUTOMATIC,44RE
DGX = TRANSMISSION - 4-SPEED AUTOMATIC
DBB = ALL MANUAL TRANSMISSIONS
DGO = ALL AUTOMATIC TRANSMISSIONS

AR = use ase required - = Non illustrated part

2000 XJ

Lamps Rear
Figure 8-1155



ITEM	PART NUMBER	QTY	LINE	SERIES	BODY	ENGINE	TRANS	TRIM	DESCRIPTION
1	04897398AA	1							LAMP, Tail Stop Turn USA/CANADA (Right)
	04897399AA	1							USA/CANADA (Left)
	04897400AC	1							w/Export Equipment Package (Right)
	04897401AC	1							w/Export Equipment Package (Left)
2	56009642AB	1							WIRING, Taillamp Europe
	56009770AB	1							
3	04676350	2							GROMMET, Lamp
4	06504016	6							SCREW AND WASHER, M6x20
5	55155614AE	1							LAMP, High Mounted Stop
6	56008722	1							WIRING, High Mounted Stop Lamp
7	56008722	1							SCREW, .164-18x1.00, (NOT SERVICED)
8	06036042AA	2							NUT/SPRING, Snap In, .164-18
9	55155612AB	1							LAMP, License Plate USA/CANADA
	55155613AB	1							w/Export Equipment Package
10	55156011AC	1							COVER, Lamp Chrome
	5FL86DX9AB	1							Paint as Required
11	56009643	1							WIRING, License Lamp USA/CANADA
	56042545AD	1							w/Export Equipment Package
12	06033718	3							SCREW, Tapping, .19-16x.625

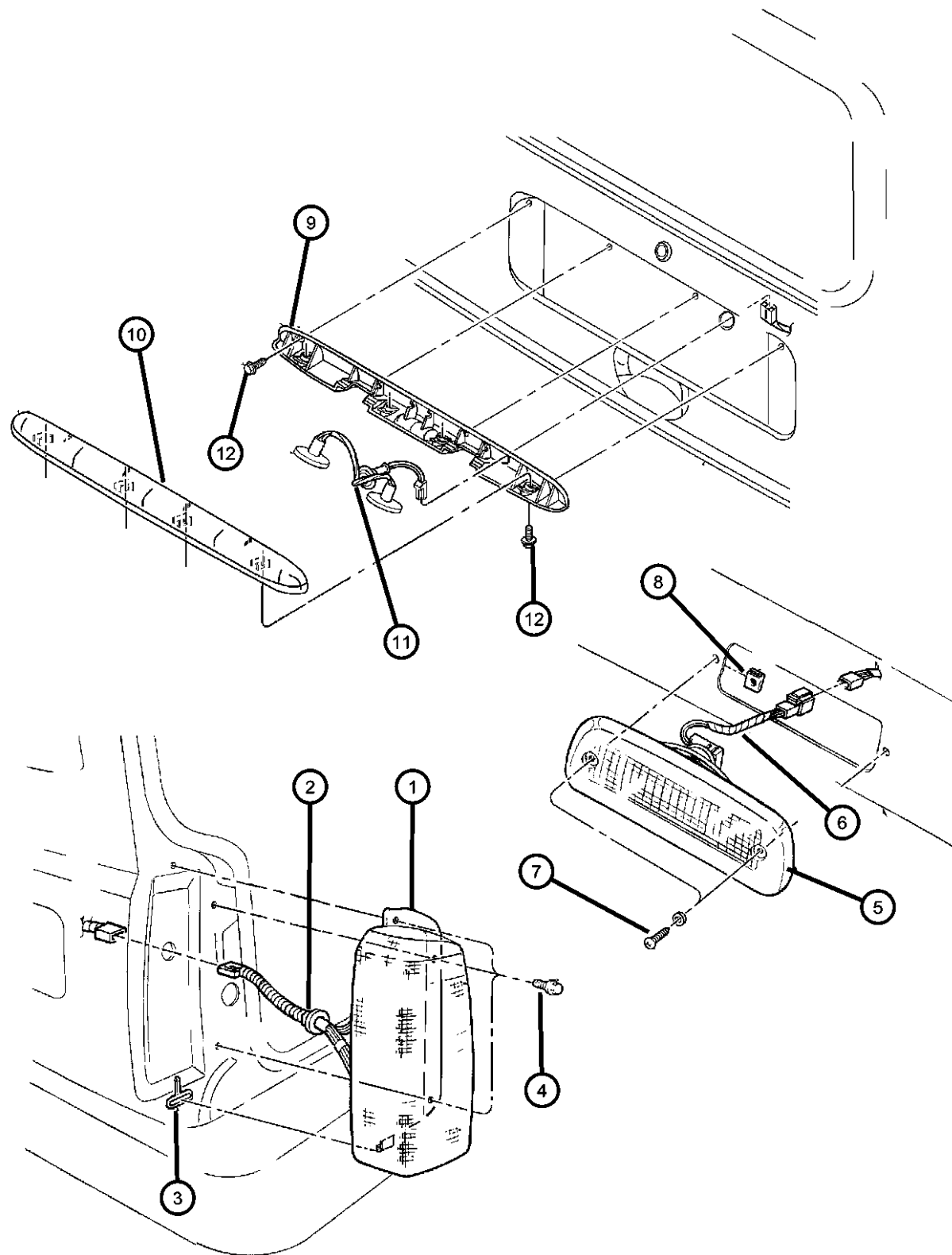
CHEROKEE (XJ)

SERIES	LINE	BODY	ENGINE	TRANSMISSION
H = Sport	T = JEEP - 2WD	74 = 4 Dr (101.4WB)	ENC = ENGINE - 2.5L 4 CYL TURBO DIESEL	DDD = TRANSMISSION - 5-SPEED HD MANUAL
L = SE	B = JEEP - 2WD (RHD)	72 = 2 Dr (101.4WB)	EPE = ENGINE - 2.5L POWER TECH I-4 Cyl.	DDQ = TRANSMISSION - 5-SPEED MANUAL
P = Classic	J = JEEP - 4WD		ERH = ENGINE - 4.0L POWER TECH I-6	DGD = TRANSMISSION - 3-SPD. AUTOMATIC,30RH
S = Limited	U = JEEP - 4WD (RHD)			DGK = TRANSMISSION - 4-SPD. AUTOMATIC,42RE
				DGS = TRANSMISSION-4SPD. AUTO,AISIN WARNER
				DGT = TRANSMISSION - 4-SPD. AUTOMATIC,46RE
				DGW = TRANSMISSION - 4-SPD. AUTOMATIC,44RE
				DGX = TRANSMISSION - 4-SPEED AUTOMATIC
				DBB = ALL MANUAL TRANSMISSIONS
				DGO = ALL AUTOMATIC TRANSMISSIONS

AR = use ase required - = Non illustrated part

Lamps Rear
Figure 8-1155

ITEM	PART NUMBER	QTY	LINE	SERIES	BODY	ENGINE	TRANS	TRIM	DESCRIPTION
-13	L0000168	2							BULB, 168
-14	00153625	2							BULB, W10/5
-15	00154851AA	4							BULB, 3157



CHEROKEE (XJ)

SERIES

H = Sport
L = SE
P = Classic
S = Limited

LINE

T = JEEP - 2WD
B = JEEP - 2WD (RHD)
J = JEEP - 4WD
U = JEEP - 4WD (RHD)

BODY

74 = 4 Dr (101.4WB)
72 = 2 Dr (101.4WB)

ENGINE

ENC = ENGINE - 2.5L 4 CYL
TURBO DIESEL
EPE = ENGINE - 2.5L POWER
TECH I-4 Cyl.
ERH = ENGINE - 4.0L
POWER TECH I-6

TRANSMISSION

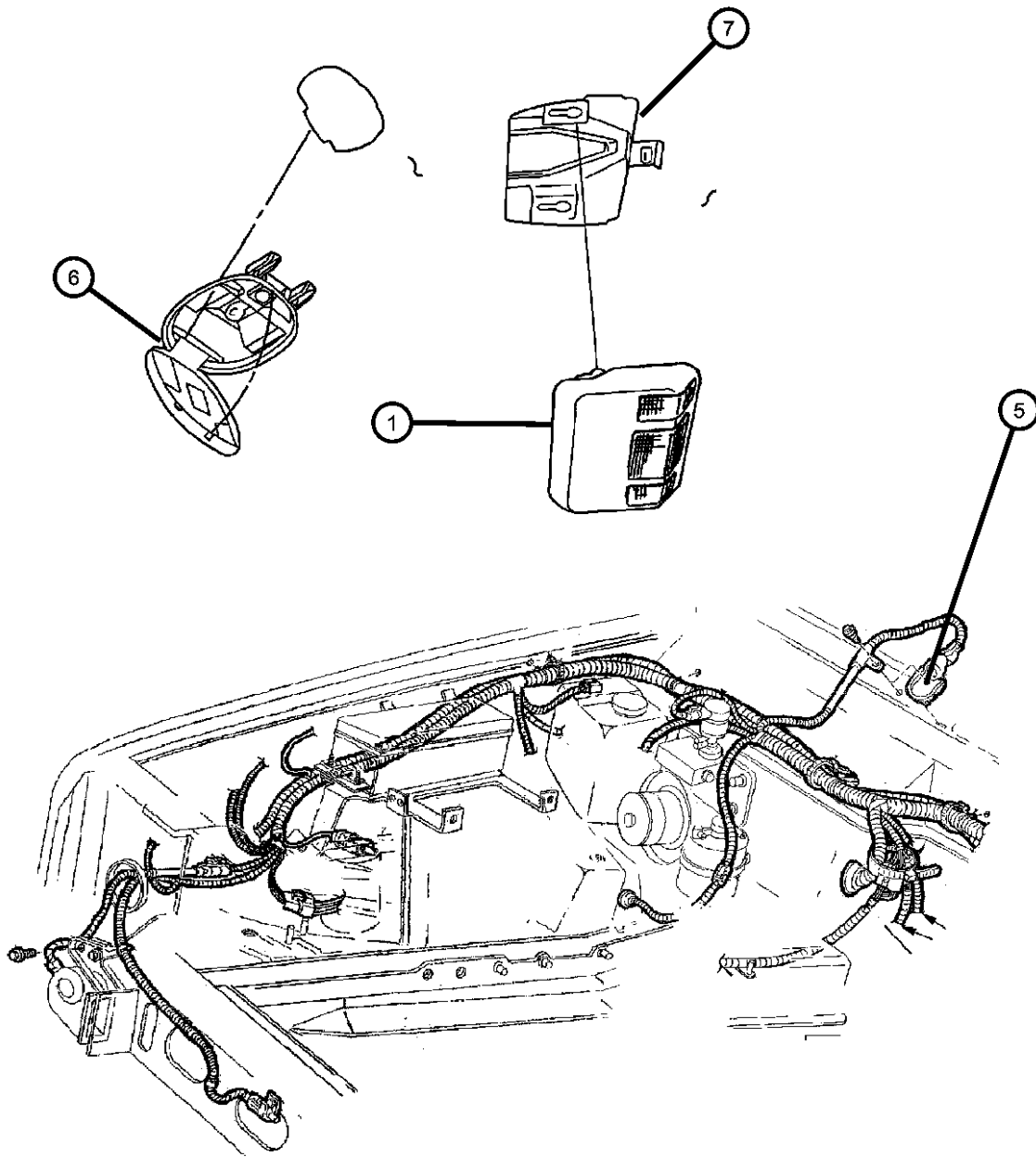
DDD = TRANSMISSION - 5-SPEED
HD MANUAL
DDQ = TRANSMISSION - 5-SPEED
MANUAL
DGD = TRANSMISSION - 3-SPD.
AUTOMATIC,30RH
DGK = TRANSMISSION - 4-SPD.
AUTOMATIC,42RE
DGS = TRANSMISSION-4SPD.
AUTO,AISIN WARNER
DGT = TRANSMISSION - 4-SPD.
AUTOMATIC,46RE
DGW = TRANSMISSION - 4-SPD.
AUTOMATIC,44RE
DGX = TRANSMISSION - 4-SPEED
AUTOMATIC
DBB = ALL MANUAL
TRANSMISSIONS
DGO = ALL AUTOMATIC
TRANSMISSIONS

AR = use ase required - = Non illustrated part

2000 XJ

Lamps Cargo - Dome - Underhood
Figure 8-1165

ITEM	PART NUMBER	QTY	LINE	SERIES	BODY	ENGINE	TRANS	TRIM	DESCRIPTION
1	5GJ32HW8AE	1							LAMP, Dome And Reading Light Quartz (w/Lens)
	5GJ32RK5AE	1							Tan/Agate (w/Lens)
-2	56042072AB	1							LENS, Reading Lamp
-3	L0000561	1							BULB, 561
-4									LAMP, Cargo
	5FY15HW8AA	1							Quartz
	5FY15RK5AA	1							Tan/Agate
5	56021441	1							LAMP, Underhood
6									LAMP, Dome
	0JV76HW8	1							Quartz
	0JV76RK5	1							Tan/Agate
7	55352764AA	1							BRACKET, Dome Lamp
-8	L0000906	2							BULB, 906
-9	55352754AA	1							BRACKET, Dome Lamp, Front of Headliner



CHEROKEE (XJ)

SERIES

H = Sport
L = SE
P = Classic
S = Limited

LINE

T = JEEP - 2WD
B = JEEP - 2WD (RHD)
J = JEEP - 4WD
U = JEEP - 4WD (RHD)

BODY

74 = 4 Dr (101.4WB)
72 = 2 Dr (101.4WB)

ENGINE

ENC = ENGINE - 2.5L 4 CYL
TURBO DIESEL
EPE = ENGINE - 2.5L POWER
TECH I-4 Cyl.
ERH = ENGINE - 4.0L
POWER TECH I-6

TRANSMISSION

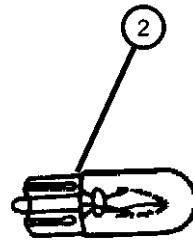
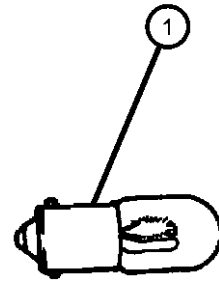
DDD = TRANSMISSION - 5-SPEED
HD MANUAL
DDQ = TRANSMISSION - 5-SPEED
MANUAL
DGD = TRANSMISSION - 3-SPD.
AUTOMATIC,30RH
DGK = TRANSMISSION - 4-SPD.
AUTOMATIC,42RE
DGS = TRANSMISSION-4SPD.
AUTO,AISIN WARNER
DGT = TRANSMISSION - 4-SPD.
AUTOMATIC,46RE
DGW = TRANSMISSION - 4-SPD.
AUTOMATIC,44RE
DGX = TRANSMISSION - 4-SPEED
AUTOMATIC
DBB = ALL MANUAL
TRANSMISSIONS
DGO = ALL AUTOMATIC
TRANSMISSIONS

AR = use ase required - = Non illustrated part

2000 XJ

Bulbs
Figure 8-1170

ITEM	PART NUMBER	QTY	LINE	SERIES	BODY	ENGINE	TRANS	TRIM	DESCRIPTION
EP0=2.5L Engine ER0=4.0L Engine EN0=4Cylinder Turbo Engine DG0=Automatic Transmission DBB=Manual Transmission									
1	00154851AA	4							BULB, 3157
2	L0000168	2							BULB, 168
-3	L0000561	1							BULB, 561
-4									BULB, 658
	L0000658	2	J, U				DG0		
		1	B, T				DG0		
-5									BULB, 74
	L0000074	1				EP0, ER0			
		1				EN0			



CHEROKEE (XJ)

SERIES	LINE	BODY	ENGINE	TRANSMISSION
H = Sport	T = JEEP - 2WD	74 = 4 Dr (101.4WB)	ENC = ENGINE - 2.5L 4 CYL TURBO DIESEL	DDD = TRANSMISSION - 5-SPEED HD MANUAL
L = SE	B = JEEP - 2WD (RHD)	72 = 2 Dr (101.4WB)	EPE = ENGINE - 2.5L POWER TECH I-4 Cyl.	DDQ = TRANSMISSION - 5-SPEED MANUAL
P = Classic	J = JEEP - 4WD		ERH = ENGINE - 4.0L POWER TECH I-6	DGD = TRANSMISSION - 3-SPD. AUTOMATIC,30RH
S = Limited	U = JEEP - 4WD (RHD)			DGK = TRANSMISSION - 4-SPD. AUTOMATIC,42RE
				DGS = TRANSMISSION-4SPD. AUTO,AISIN WARNER
				DGT = TRANSMISSION - 4-SPD. AUTOMATIC,46RE
				DGW = TRANSMISSION - 4-SPD. AUTOMATIC,44RE
				DGX = TRANSMISSION - 4-SPEED AUTOMATIC
				DBB = ALL MANUAL TRANSMISSIONS
				DGO = ALL AUTOMATIC TRANSMISSIONS

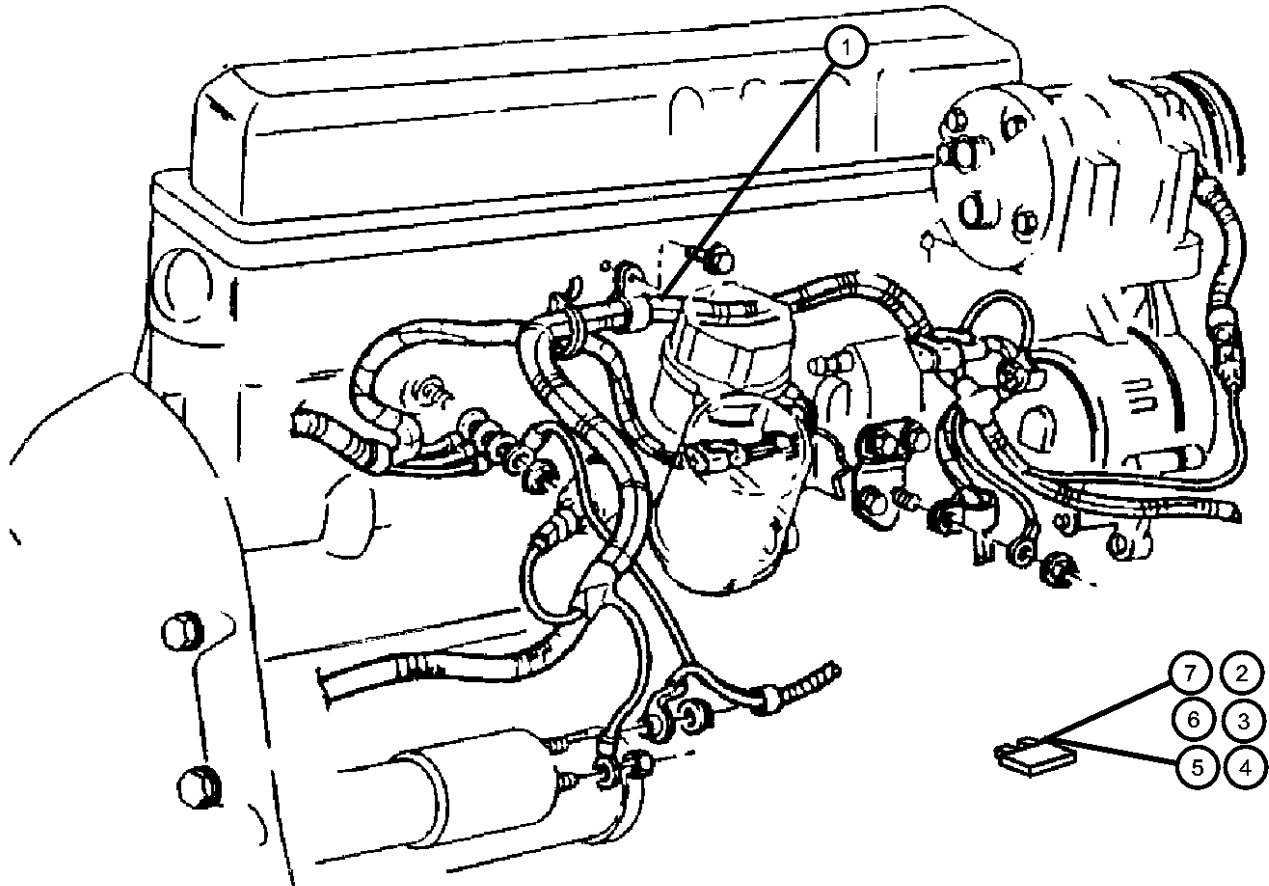
AR = use ase required - = Non illustrated part

2000 XJ

Wiring Engine & Related Parts
Figure 8-1210

ITEM	PART NUMBER	QTY	LINE	SERIES	BODY	ENGINE	TRANS	TRIM	DESCRIPTION
------	-------------	-----	------	--------	------	--------	-------	------	-------------

EP0=2.5L Engine
ER0=4.0L Engine
EN0=4 Cylinder Turbo Engine
DG0=Automatic Transmission
DBB=Manual Transmission



1									WIRING, Engine
	56009771AE	1	B, T			EP0	DG0		2WD
	56009773AE	1	B, T			EP0	DBB		2WD
	56009774AE	1	J, U			EP0	DBB		231 Transfer Case
	56009781AC	1				EN0	DBB		Diesel Engine
	56041498AA	1	B, T			ER0			2WD (Federal/Leaded Fuel/Export & European III Emission)
	56041499AA	1	J, U			ER0	DG0		4WD w/ 231 or 242 Transfer Case (Federal/Leaded Fuel & Export Emission)
	56041500AA	1	J, U			ER0	DBB		4WD w/ 231 Transfer Case (Federal/Leaded Fuel & Export Emission)
	56041501AA	1	B, T			ER0			2WD (California & Europe Emission)
	56041502AA	1	J, U			ER0	DG0		4WD w/231 or 242 Transfer Case (California & Europe Emission)
	56041611AA	1	J, U			ER0	DBB		4WD w/231 Transfer Case (California & European III Emission)
2	000ATM15	1							FUSE, Mini, 15 AMP, Light Blue
3	000ATM10	1							FUSE, Mini, 10 AMP, Red
4	000ATM20	1							FUSE, Mini, 20 AMP, Yellow
5	000MAX30	4							FUSE, Maxi, 30 Amp, Green
6	000MAX40	5							FUSE, Maxi, 40 AMP, Amber

CHEROKEE (XJ)

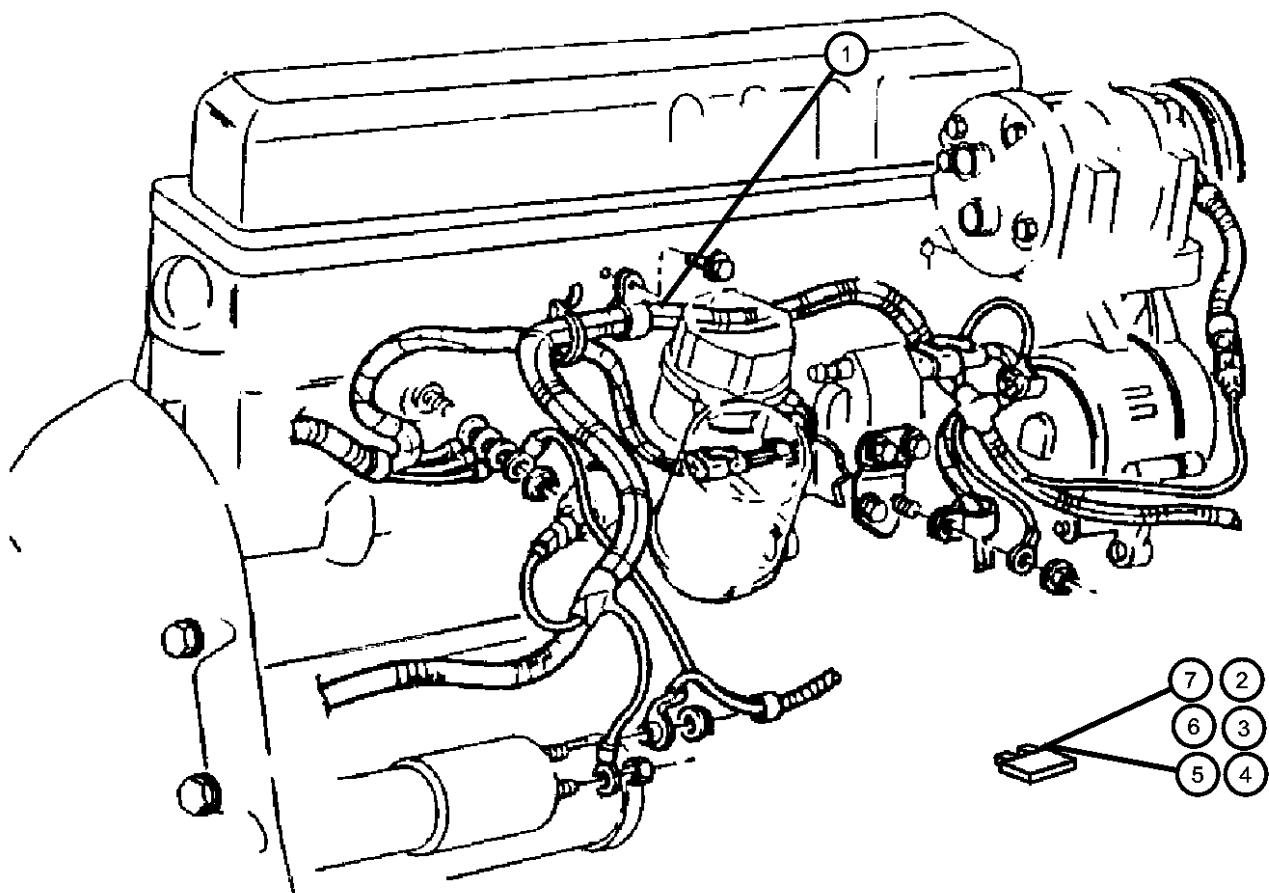
SERIES	LINE	BODY	ENGINE	TRANSMISSION
H = Sport	T = JEEP - 2WD	74 = 4 Dr (101.4WB)	ENC = ENGINE - 2.5L 4 CYL TURBO DIESEL	DDD = TRANSMISSION - 5-SPEED HD MANUAL
L = SE	B = JEEP - 2WD (RHD)	72 = 2 Dr (101.4WB)	EPE = ENGINE - 2.5L POWER TECH I-4 Cyl.	DDQ = TRANSMISSION - 5-SPEED MANUAL
P = Classic	J = JEEP - 4WD		ERH = ENGINE - 4.0L POWER TECH I-6	DGD = TRANSMISSION - 3-SPD. AUTOMATIC,30RH
S = Limited	U = JEEP - 4WD (RHD)			DGK = TRANSMISSION - 4-SPD. AUTOMATIC,42RE
				DGS = TRANSMISSION-4SPD. AUTO,AISIN WARNER
				DGT = TRANSMISSION - 4-SPD. AUTOMATIC,46RE
				DGW = TRANSMISSION - 4-SPD. AUTOMATIC,44RE
				DGX = TRANSMISSION - 4-SPEED AUTOMATIC
				DBB = ALL MANUAL TRANSMISSIONS
				DGO = ALL AUTOMATIC TRANSMISSIONS

AR = use ase required - = Non illustrated part

2000 XJ

**Wiring Engine & Related Parts
Figure 8-1210**

ITEM	PART NUMBER	QTY	LINE	SERIES	BODY	ENGINE	TRANS	TRIM	DESCRIPTION
7	000MAX50	3							FUSE, Maxi, 50 AMP, Red
-8									COVER, Power Distribution Center
	56038361AD	AR							Top (Diesel Engine)
	56038363AC	AR							Top (2.5L/4.0L Engines)
	56038364	1							Bottom (All Engines)



CHEROKEE (XJ)

SERIES	LINE
H = Sport	T = JEEP - 2WD
L = SE	B = JEEP - 2WD (RHD)
P = Classic	J = JEEP - 4WD
S = Limited	U = JEEP - 4WD (RHD)

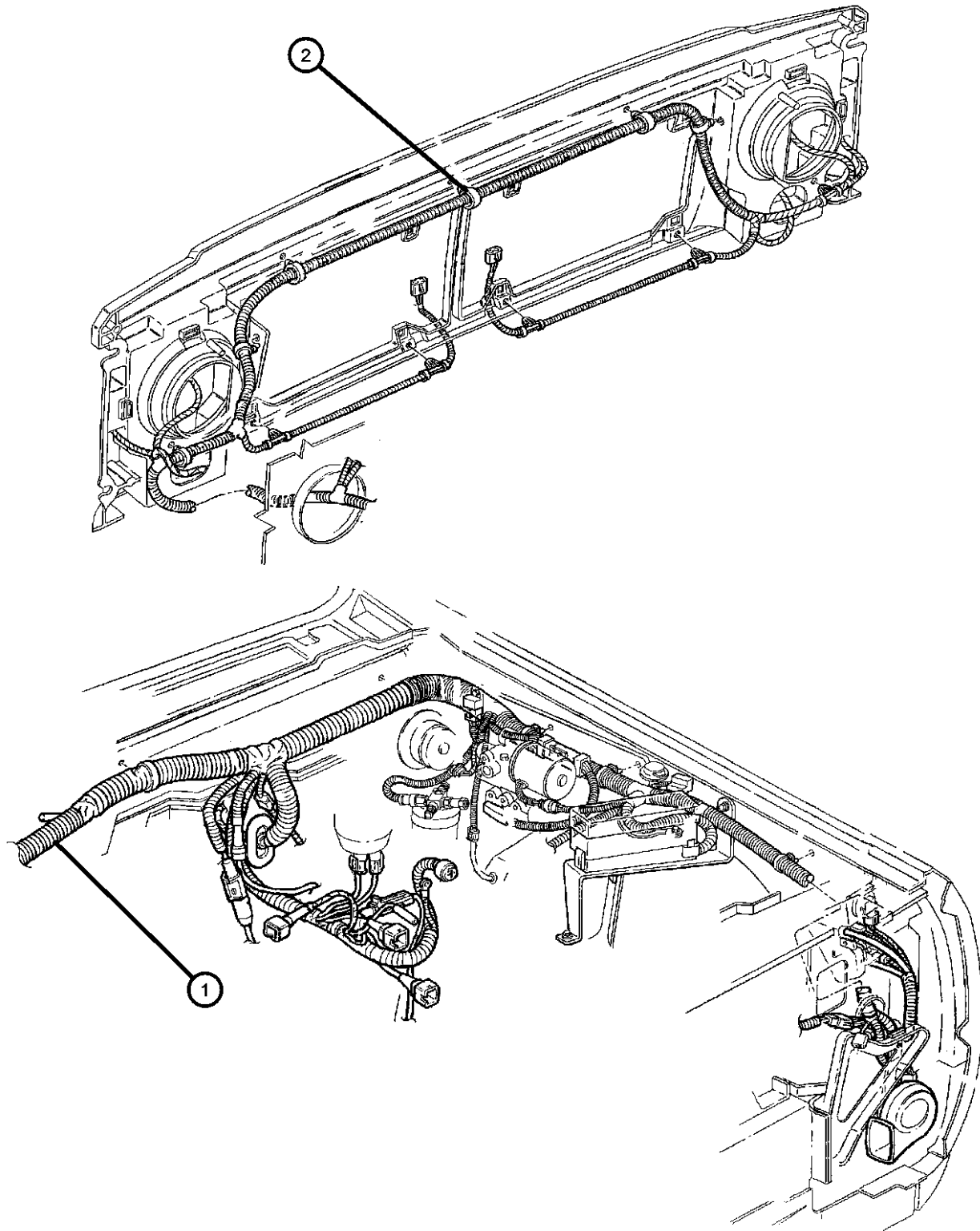
BODY
74 = 4 Dr (101.4WB)
72 = 2 Dr (101.4WB)

ENGINE
ENC = ENGINE - 2.5L 4 CYL TURBO DIESEL
EPE = ENGINE - 2.5L POWER TECH I-4 Cyl.
ERH = ENGINE - 4.0L POWER TECH I-6

TRANSMISSION
DDD = TRANSMISSION - 5-SPEED HD MANUAL
DDQ = TRANSMISSION - 5-SPEED MANUAL
DGD = TRANSMISSION - 3-SPD. AUTOMATIC,30RH
DGK = TRANSMISSION - 4-SPD. AUTOMATIC,42RE
DGS = TRANSMISSION-4SPD. AUTO,AISIN WARNER
DGT = TRANSMISSION - 4-SPD. AUTOMATIC,46RE
DGW = TRANSMISSION - 4-SPD. AUTOMATIC,44RE
DGX = TRANSMISSION - 4-SPEED AUTOMATIC
DBB = ALL MANUAL TRANSMISSIONS
DGO = ALL AUTOMATIC TRANSMISSIONS

AR = use ase required - = Non illustrated part

**Wiring Headlamp / Dash
Figure 8-1310**



ITEM	PART NUMBER	QTY	LINE	SERIES	BODY	ENGINE	TRANS	TRIM	DESCRIPTION
------	-------------	-----	------	--------	------	--------	-------	------	-------------

EP0=2.5L Engine
ER0=4.0L Engine
EN0=4 Cylinder Turbo Engine
DG0=Automatic Transmission
DBB=Manual Transmission

1									WIRING, Headlamp to Dash
	56009737AF	1	J, T			EP0			w/Daytime Running Lights
	56009738AF	1	J, T			EP0			w/o Daytime Running Lights
	56009739AF	1	J, T			ER0	DG0		w/o Daytime Running Lights & w/ABS
	56009740AF	1	J, T			ER0	DG0		w/Daytime Running Lights & w/o ABS
	56009741AF	1	J, T			ER0	DG0		w/Daytime Running Lights & w/ABS
	56009742AF	1	J, T			ER0	DG0		w/o Daytime Running Lights, ABS, Foglamp, H/Lamp Leveling & w/o 6 Infinity Speaker System
	56009743AF	1	J, T			ER0	DG0		w/Daytime Running Lights, H/Lamp Leveling, 6 Infinity Speaker System & w/o Foglamp & ABS,
	56009744AF	1	J, T			ER0	DBB		w/o Daytime Running Lights & w/ABS
	56009745AF	1	J, T			ER0	DBB		w/Daytime Running Lights & w/o ABS
	56009746AF	1	J, T			ER0	DBB		w/Daytime Running Lights & w/ABS
	56009747AF	1	J, T			ER0	DBB		w/o Daytime Running Lights & w/o ABS
	56009748AF	1	B, U			EP0	DBB		
	56009749AF	1	B, U			ER0	DG0		w/o ABS
	56009750AF	1	B, U			ER0	DG0		w/ABS
	56009751AG	1	U			EN0			w/ABS

CHEROKEE (XJ)

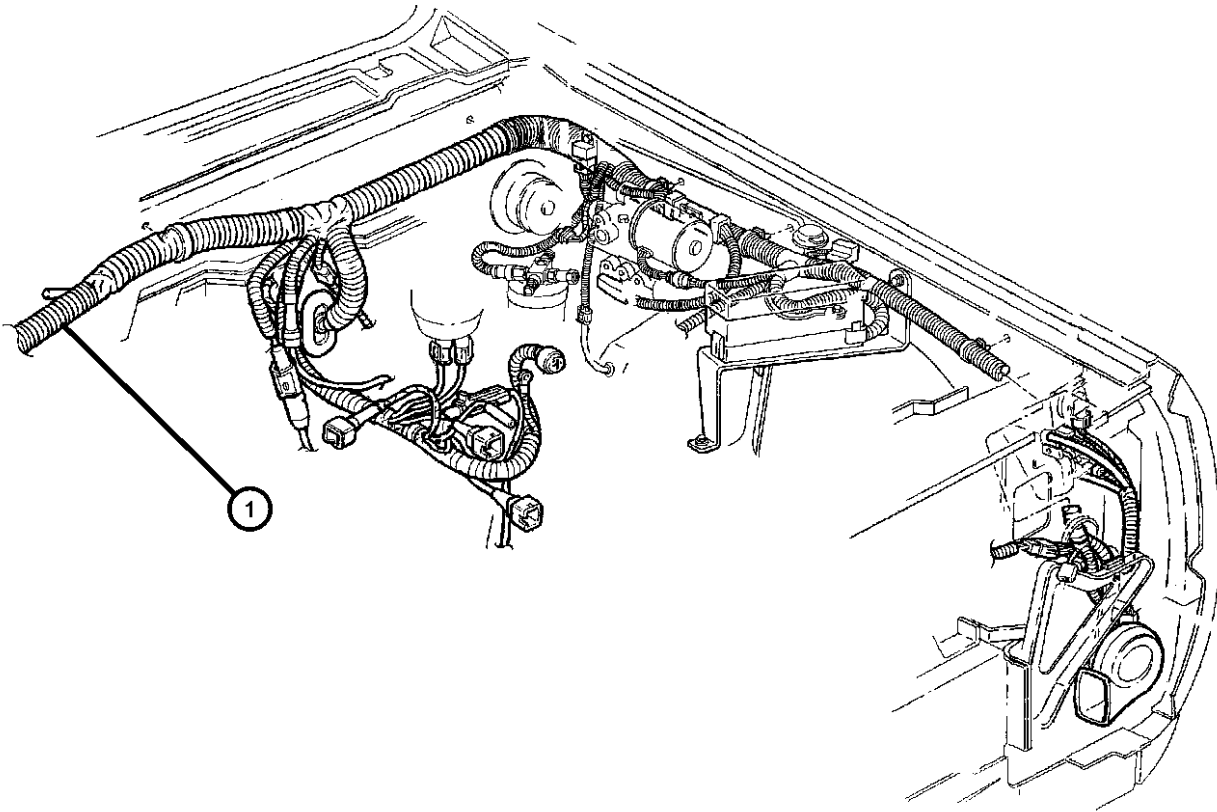
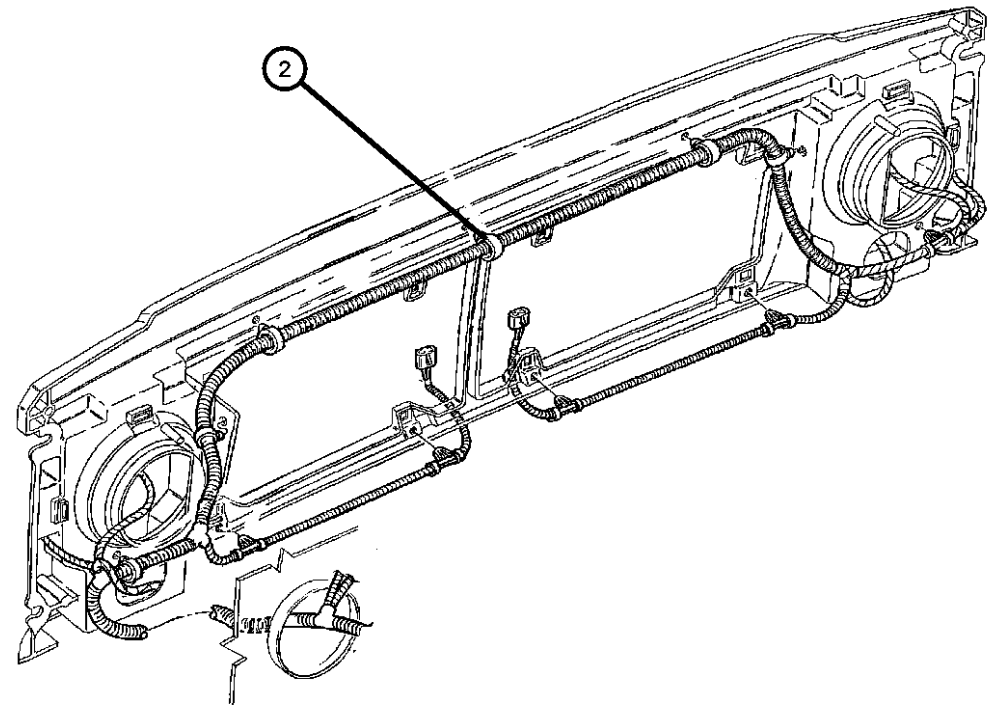
SERIES	LINE	BODY	ENGINE	TRANSMISSION
H = Sport	T = JEEP - 2WD	74 = 4 Dr (101.4WB)	ENC = ENGINE - 2.5L 4 CYL TURBO DIESEL	DDD = TRANSMISSION - 5-SPEED HD MANUAL
L = SE	B = JEEP - 2WD (RHD)	72 = 2 Dr (101.4WB)	EPE = ENGINE - 2.5L POWER TECH I-4 Cyl.	DDQ = TRANSMISSION - 5-SPEED MANUAL
P = Classic	J = JEEP - 4WD		ERH = ENGINE - 4.0L POWER TECH I-6	DGD = TRANSMISSION - 3-SPD. AUTOMATIC,30RH
S = Limited	U = JEEP - 4WD (RHD)			DGK = TRANSMISSION - 4-SPD. AUTOMATIC,42RE
				DGS = TRANSMISSION-4SPD. AUTO,AISIN WARNER
				DGT = TRANSMISSION - 4-SPD. AUTOMATIC,46RE
				DGW = TRANSMISSION - 4-SPD. AUTOMATIC,44RE
				DGX = TRANSMISSION - 4-SPEED AUTOMATIC
				DBB = ALL MANUAL TRANSMISSIONS
				DGO = ALL AUTOMATIC TRANSMISSIONS

AR = use ase required - = Non illustrated part

2000 XJ

**Wiring Headlamp / Dash
Figure 8-1310**

ITEM	PART NUMBER	QTY	LINE	SERIES	BODY	ENGINE	TRANS	TRIM	DESCRIPTION
	56009752AG	1	B, U			EN0			w/o ABS
	56009753AF	1	J			EN0			w/ABS
	56009754AF	1	J			EN0			w/o ABS
2									WIRING, Front End Lighting
	56007628AE	1							w/ or w/o H/Lamp Leveling
	56007684AD	1							w/o H/Lamp Leveling & w/o Foglamp
	56007686AE	1							w/o H/Lamp Leveling
	56007687AB	1							w/ or w/o Foglamp & w/o Headlamp Leveling
-3	56007685AB	2							WIRING, Turn Signal Lamp
-4									COVER, Power Distribution Center
	56038361AD	AR							Export
	56038363AC	AR							



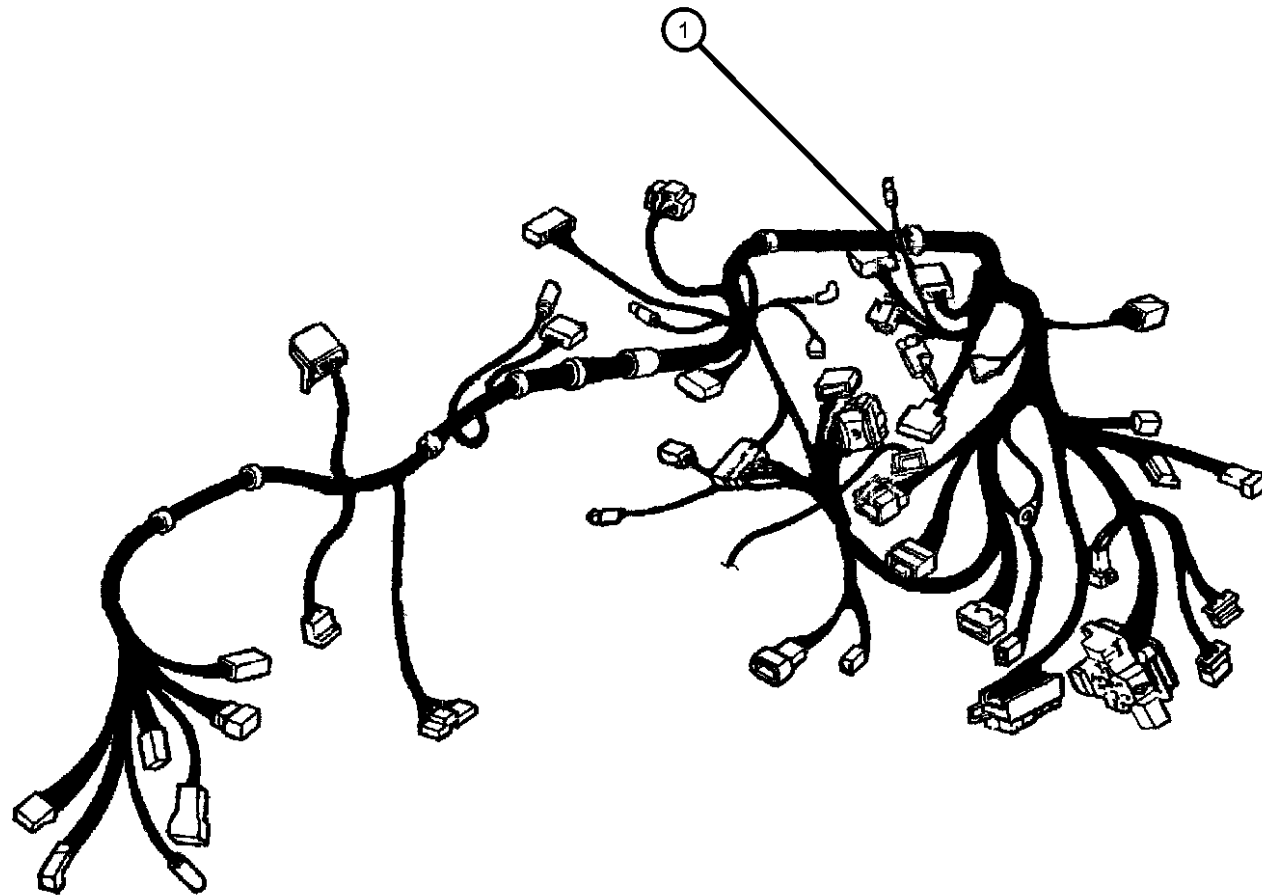
CHEROKEE (XJ)

SERIES	LINE	BODY	ENGINE	TRANSMISSION
H = Sport	T = JEEP - 2WD	74 = 4 Dr (101.4WB)	ENC = ENGINE - 2.5L 4 CYL TURBO DIESEL	DDD = TRANSMISSION - 5-SPEED HD MANUAL
L = SE	B = JEEP - 2WD (RHD)	72 = 2 Dr (101.4WB)	EPE = ENGINE - 2.5L POWER TECH I-4 Cyl.	DDQ = TRANSMISSION - 5-SPEED MANUAL
P = Classic	J = JEEP - 4WD		ERH = ENGINE - 4.0L POWER TECH I-6	DGD = TRANSMISSION - 3-SPD. AUTOMATIC,30RH
S = Limited	U = JEEP - 4WD (RHD)			DGK = TRANSMISSION - 4-SPD. AUTOMATIC,42RE
				DGS = TRANSMISSION-4SPD. AUTO,AISIN WARNER
				DGT = TRANSMISSION - 4-SPD. AUTOMATIC,46RE
				DGW = TRANSMISSION - 4-SPD. AUTOMATIC,44RE
				DGX = TRANSMISSION - 4-SPEED AUTOMATIC
				DBB = ALL MANUAL TRANSMISSIONS
				DGO = ALL AUTOMATIC TRANSMISSIONS

AR = use ase required - = Non illustrated part

**Wiring Instrument Panel
Figure 8-1410**

ITEM	PART NUMBER	QTY	LINE	SERIES	BODY	ENGINE	TRANS	TRIM	DESCRIPTION
1									WIRING, Instrument Panel
	56009791AI	1	J, T						USA/CANADA
	56009795AI	1	J						EUROPE
	56009797AI	1	J, T						w/Police Package
	56009798AK	1	B, U						w/Postal Package
	56009799AM	1	U						w/o Postal Package
	56009802AH	1	J, T						I/Panel Floor
-2	56017442	2							WIRING, Courtesy Lamp
-3	56009715AB	1							COVER, Fuse Access
-4	56007573AE	1							JUNCTION BLOCK, Multifunction Module

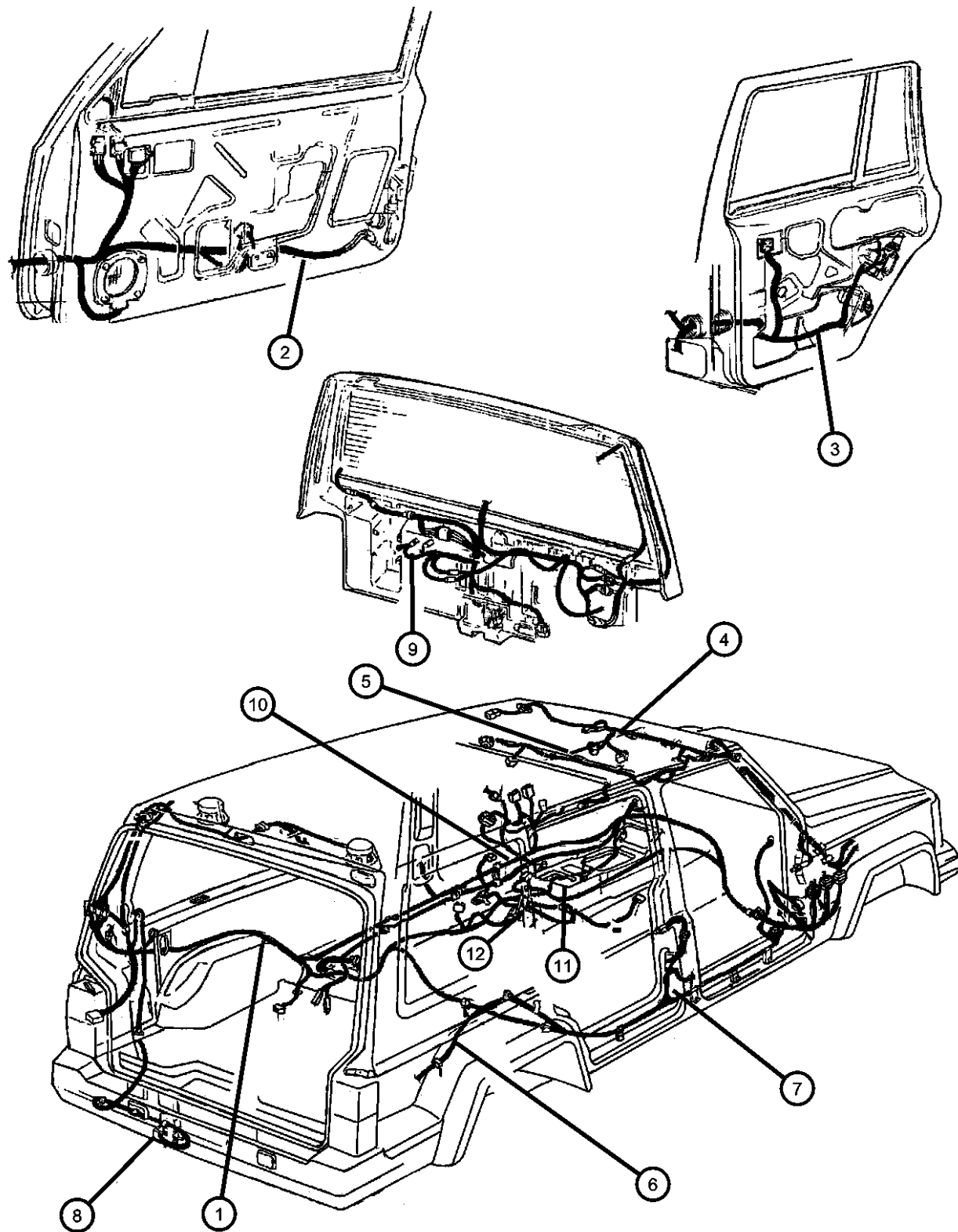


CHEROKEE (XJ)

SERIES	LINE	BODY	ENGINE	TRANSMISSION
H = Sport	T = JEEP - 2WD	74 = 4 Dr (101.4WB)	ENC = ENGINE - 2.5L 4 CYL TURBO DIESEL	DDD = TRANSMISSION - 5-SPEED HD MANUAL
L = SE	B = JEEP - 2WD (RHD)	72 = 2 Dr (101.4WB)	EPE = ENGINE - 2.5L POWER TECH I-4 Cyl.	DDQ = TRANSMISSION - 5-SPEED MANUAL
P = Classic	J = JEEP - 4WD		ERH = ENGINE - 4.0L POWER TECH I-6	DGD = TRANSMISSION - 3-SPD. AUTOMATIC,30RH
S = Limited	U = JEEP - 4WD (RHD)			DGK = TRANSMISSION - 4-SPD. AUTOMATIC,42RE
				DGS = TRANSMISSION-4SPD. AUTO,AISIN WARNER
				DGT = TRANSMISSION - 4-SPD. AUTOMATIC,46RE
				DGW = TRANSMISSION - 4-SPD. AUTOMATIC,44RE
				DGX = TRANSMISSION - 4-SPEED AUTOMATIC
				DBB = ALL MANUAL TRANSMISSIONS
				DGO = ALL AUTOMATIC TRANSMISSIONS

AR = use ase required - = Non illustrated part

Wiring Body & Accessory
Figure 8-1510

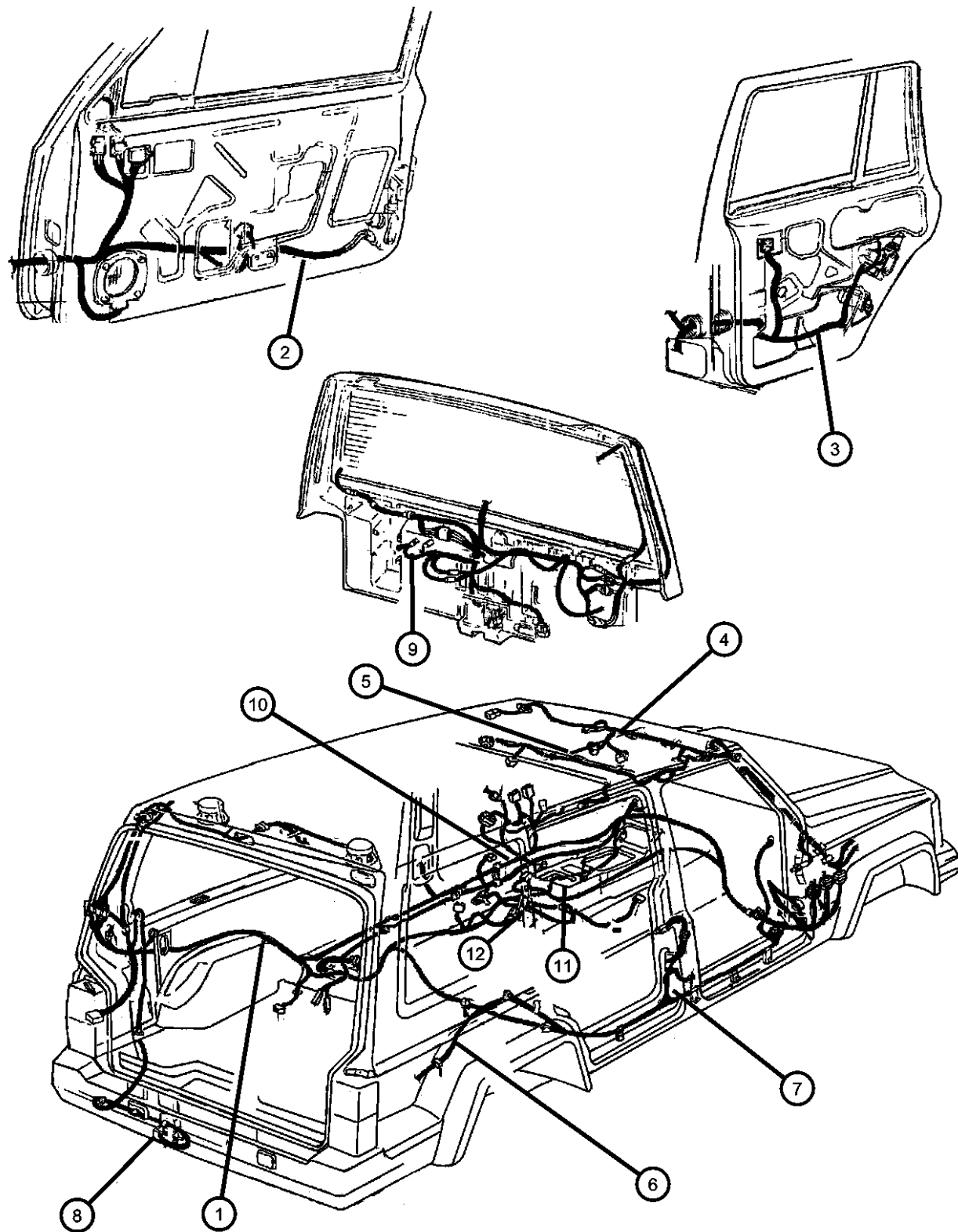


ITEM	PART NUMBER	QTY	LINE	SERIES	BODY	ENGINE	TRANS	TRIM	DESCRIPTION
1	56009808AH	1	J, T						WIRING, Body
	56009810AH	1	J, T						Base Model, Left Hand Drive
	56009811AH	1	J, T						w/Power Locks & w/o Premium Sound System, w/Premium Sound System
2	56009819AB	1							WIRING, Door
	56009820AE	1	J, T						Base Model, Left Door
	56009821AE	1	J, T						w/Power Mirrors, Left Door
	56009823AE	1	B, U						w/Power Locks, Left Door
	56009824AE	1	B, U						w/Power Locks, Left Door
	56009826AB	1							w/Power Mirrors, Left Door
	56009827AE	1	J, T						Base Model, Right Door
	56009828AE	1	J, T						w/Power Mirrors, Right Door
	56009830AE	1	B, U						w/Power Locks, Right Door
	56009831AE	1	B, U						w/Power Locks, Right Door
3	56009806AE	2			74				WIRING, Rear Door, w/Power Locks
4	04882780	1							WIRING, Overhead Console
		1							Type II w/Keyless Entry System-Type I
		1							Type II w/Keyless Entry System w/Immobilizer
5	56009757AD	1							WIRING, Dome Lamp, Base Model
6	56009816AD	1							w/Overhead Console
7	56007579AC	2							WIRING, Body to Liftgate
									WIRING, Door Jumper
									Front Door

CHEROKEE (XJ)				
SERIES	LINE	BODY	ENGINE	TRANSMISSION
H = Sport	T = JEEP - 2WD	74 = 4 Dr (101.4WB)	ENC = ENGINE - 2.5L 4 CYL TURBO DIESEL	DDD = TRANSMISSION - 5-SPEED HD MANUAL
L = SE	B = JEEP - 2WD (RHD)	72 = 2 Dr (101.4WB)	EPE = ENGINE - 2.5L POWER TECH I-4 Cyl.	DDQ = TRANSMISSION - 5-SPEED MANUAL
P = Classic	J = JEEP - 4WD		ERH = ENGINE - 4.0L POWER TECH I-6	DGD = TRANSMISSION - 3-SPD. AUTOMATIC,30RH
S = Limited	U = JEEP - 4WD (RHD)			DGK = TRANSMISSION - 4-SPD. AUTOMATIC,42RE
				DGS = TRANSMISSION-4SPD. AUTO,AISIN WARNER
				DGT = TRANSMISSION - 4-SPD. AUTOMATIC,46RE
				DGW = TRANSMISSION - 4-SPD. AUTOMATIC,44RE
				DGX = TRANSMISSION - 4-SPEED AUTOMATIC
				DBB = ALL MANUAL TRANSMISSIONS
				DGO = ALL AUTOMATIC TRANSMISSIONS

AR = use ase required - = Non illustrated part

Wiring Body & Accessory
Figure 8-1510



ITEM	PART NUMBER	QTY	LINE	SERIES	BODY	ENGINE	TRANS	TRIM	DESCRIPTION
	56009804	2			74				Courtesy Lamp Switch (Model 74)
8	56009832	1							WIRING, Trailer Tow
9	56009760AD	1							WIRING, Liftgate
10									WIRING, Power Seat
	56008712AC	1	B, U		74				with Power Seats, Left
		1	J, T		74				with Power Seats, Left
	56008713AC	1	B, U		74				with Power Seats, Right
		1	J, T		74				with Power Seats, Right
	56009841AC	1							with Power and Heated Seats
	56010286AA	1							Europe
11									WIRING, Console
	56009793AC	1	J, U				DBB		
		1	B, T				DGO		
12	56009839AB	1							WIRING, Anti-lock Brake
-13	55034132	2							CONDUIT, Door Harness
-14	56038366AB	1	J, T	H, L, P, S	72, 74				CONNECTOR, 7 Way, With Trailer Tow

CHEROKEE (XJ)

SERIES LINE
H = Sport T = JEEP - 2WD
L = SE B = JEEP - 2WD (RHD)
P = Classic J = JEEP - 4WD
S = Limited U = JEEP - 4WD (RHD)

BODY
74 = 4 Dr (101.4WB)
72 = 2 Dr (101.4WB)

ENGINE
ENC = ENGINE - 2.5L 4 CYL TURBO DIESEL
EPE = ENGINE - 2.5L POWER TECH I-4 Cyl.
ERH = ENGINE - 4.0L POWER TECH I-6

TRANSMISSION
DDD = TRANSMISSION - 5-SPEED HD MANUAL
DDQ = TRANSMISSION - 5-SPEED MANUAL
DGD = TRANSMISSION - 3-SPD. AUTOMATIC,30RH
DGK = TRANSMISSION - 4-SPD. AUTOMATIC,42RE
DGS = TRANSMISSION-4SPD. AUTO,AISIN WARNER
DGT = TRANSMISSION - 4-SPD. AUTOMATIC,46RE
DGW = TRANSMISSION - 4-SPD. AUTOMATIC,44RE
DGX = TRANSMISSION - 4-SPEED AUTOMATIC
DBB = ALL MANUAL TRANSMISSIONS
DGO = ALL AUTOMATIC TRANSMISSIONS

AR = use ase required - = Non illustrated part

**Connector Repair Package
Figure 8-1605**

ITEM	PART NUMBER	QTY	LINE	SERIES	BODY	ENGINE	TRANS	TRIM	DESCRIPTION
-1	05013930AB	1							WIRING PACKAGE, Underhood Connector Repair, For Electrical Connector Repair Information visit the World Wide Web at http://dto.vftis.com/mopar/disclaimer.asp
-2	04863839	1							CONNECTOR PACKAGE, Beam Select Switch

For Electrical Connector Repair Information visit the World Wide Web at

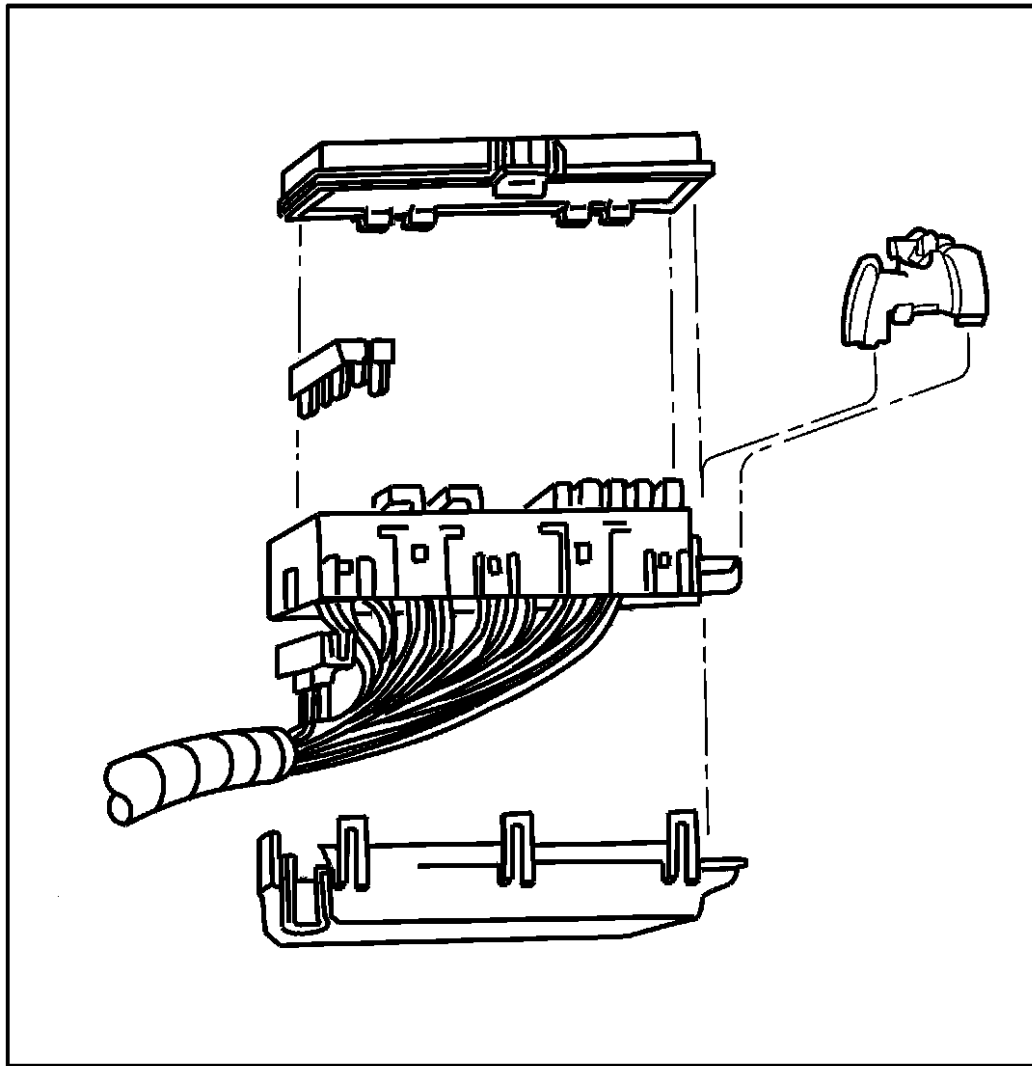
<http://dto.vftis.com/mopar/disclaimer.asp>

CHEROKEE (XJ)

SERIES	LINE	BODY	ENGINE	TRANSMISSION
H = Sport	T = JEEP - 2WD	74 = 4 Dr (101.4WB)	ENC = ENGINE - 2.5L 4 CYL TURBO DIESEL	DDD = TRANSMISSION - 5-SPEED HD MANUAL
L = SE	B = JEEP - 2WD (RHD)	72 = 2 Dr (101.4WB)	EPE = ENGINE - 2.5L POWER TECH I-4 Cyl.	DDQ = TRANSMISSION - 5-SPEED MANUAL
P = Classic	J = JEEP - 4WD		ERH = ENGINE - 4.0L POWER TECH I-6	DGD = TRANSMISSION - 3-SPD. AUTOMATIC,30RH
S = Limited	U = JEEP - 4WD (RHD)			DGK = TRANSMISSION - 4-SPD. AUTOMATIC,42RE
				DGS = TRANSMISSION-4SPD. AUTO,AISIN WARNER
				DGT = TRANSMISSION - 4-SPD. AUTOMATIC,46RE
				DGW = TRANSMISSION - 4-SPD. AUTOMATIC,44RE
				DGX = TRANSMISSION - 4-SPEED AUTOMATIC
				DBB = ALL MANUAL TRANSMISSIONS
				DGO = ALL AUTOMATIC TRANSMISSIONS

**Power Distribution Center Repair
Figure 8-1615**

ITEM	PART NUMBER	QTY	LINE	SERIES	BODY	ENGINE	TRANS	TRIM	DESCRIPTION
1	05014460AB	1							REPAIR KIT, Power Distribution Center



1

CHEROKEE (XJ)

SERIES	LINE
H = Sport	T = JEEP - 2WD
L = SE	B = JEEP - 2WD (RHD)
P = Classic	J = JEEP - 4WD
S = Limited	U = JEEP - 4WD (RHD)

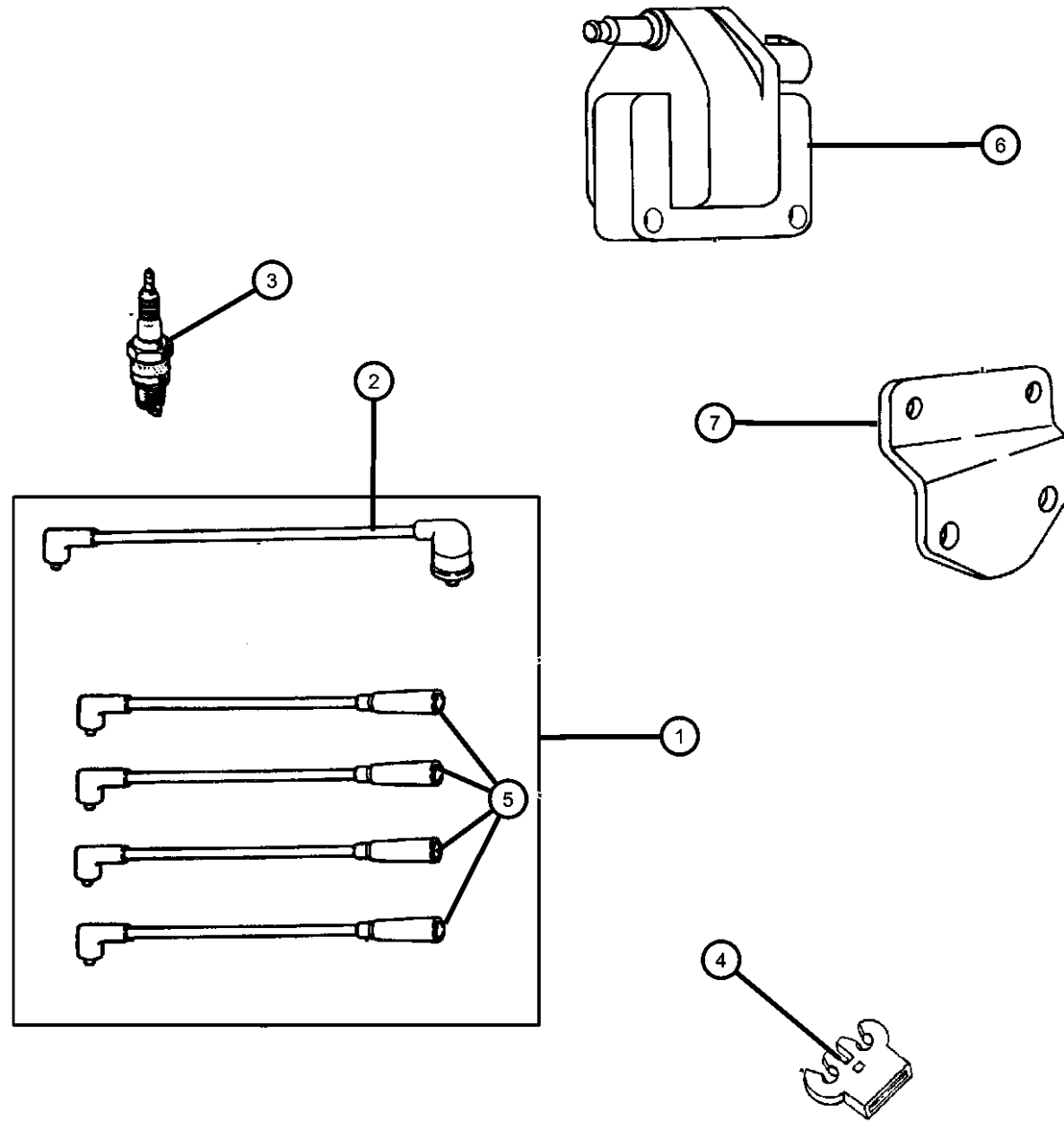
BODY
74 = 4 Dr (101.4WB)
72 = 2 Dr (101.4WB)

ENGINE
ENC = ENGINE - 2.5L 4 CYL TURBO DIESEL
EPE = ENGINE - 2.5L POWER TECH I-4 Cyl.
ERH = ENGINE - 4.0L POWER TECH I-6

TRANSMISSION
DDD = TRANSMISSION - 5-SPEED HD MANUAL
DDQ = TRANSMISSION - 5-SPEED MANUAL
DGD = TRANSMISSION - 3-SPD. AUTOMATIC,30RH
DGK = TRANSMISSION - 4-SPD. AUTOMATIC,42RE
DGS = TRANSMISSION-4SPD. AUTO,AISIN WARNER
DGT = TRANSMISSION - 4-SPD. AUTOMATIC,46RE
DGW = TRANSMISSION - 4-SPD. AUTOMATIC,44RE
DGX = TRANSMISSION - 4-SPEED AUTOMATIC
DBB = ALL MANUAL TRANSMISSIONS
DGO = ALL AUTOMATIC TRANSMISSIONS

AR = use ase required - = Non illustrated part

Spark Plug-Cables & Coil
Figure 8-1905



ITEM	PART NUMBER	QTY	LINE	SERIES	BODY	ENGINE	TRANS	TRIM	DESCRIPTION
EP0=2.5L Engine ER0=4.0L Engine									
1	83507180 SPW07058AA	1				EP0			CABLE PACKAGE, Ignition Mopar V-Line Alternative Part
2	56027270	1				EP0			CABLE, Ignition Coil
3									SPARK PLUG
	SP000ZFR5N	4				EP0			
		6				ER0			
4	53006579	1				EP0			SEPERATOR, Ignition Cable
5									CABLE, Ignition
	33007152	1				EP0			[#1]
	33007153	1				EP0			[#3]
		1				EP0			[#2]
	33007157	1				EP0			[#4]
6									COIL, Ignition
	56028172	1				EP0			
	56041476AA	1				ER0			Coil Pack
7	53008702	1				EP0			BRACKET, Ignition Coil
-8	06102146AA	4				ER0			SCREW AND WASHER, Ignition Coil Mounting

CHEROKEE (XJ)

SERIES	LINE
H = Sport	T = JEEP - 2WD
L = SE	B = JEEP - 2WD (RHD)
P = Classic	J = JEEP - 4WD
S = Limited	U = JEEP - 4WD (RHD)

BODY
74 = 4 Dr (101.4WB)
72 = 2 Dr (101.4WB)

ENGINE	TRANSMISSION
ENC = ENGINE - 2.5L 4 CYL TURBO DIESEL	DDD = TRANSMISSION - 5-SPEED HD MANUAL
EPE = ENGINE - 2.5L POWER TECH I-4 Cyl.	DDQ = TRANSMISSION - 5-SPEED MANUAL
ERH = ENGINE - 4.0L POWER TECH I-6	DGD = TRANSMISSION - 3-SPD. AUTOMATIC,30RH
	DGK = TRANSMISSION - 4-SPD. AUTOMATIC,42RE
	DGS = TRANSMISSION-4SPD. AUTO,AISIN WARNER
	DGT = TRANSMISSION - 4-SPD. AUTOMATIC,46RE
	DGW = TRANSMISSION - 4-SPD. AUTOMATIC,44RE
	DGX = TRANSMISSION - 4-SPEED AUTOMATIC
	DBB = ALL MANUAL TRANSMISSIONS
	DGO = ALL AUTOMATIC TRANSMISSIONS

AR = use ase required - = Non illustrated part

2000 XJ

Group - 08A

Instrument Panel and Radios and Consoles

Group - 08A Instrument Panel and Radios and Consoles

Group-Fig. No.

Illustration Title

Instrument Panel

Pad & Bezel (LHD)	Fig. 08A - 120
Pad & Bezels (RHD)	Fig. 08A - 122

Instrument Panel Cluster

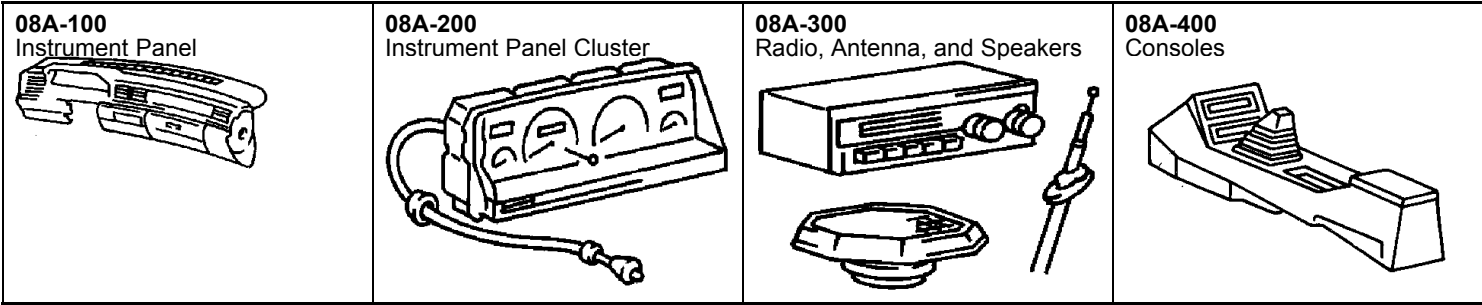
Cluster	Fig. 08A - 220
---------------	----------------

Radio, Antenna, and Speakers

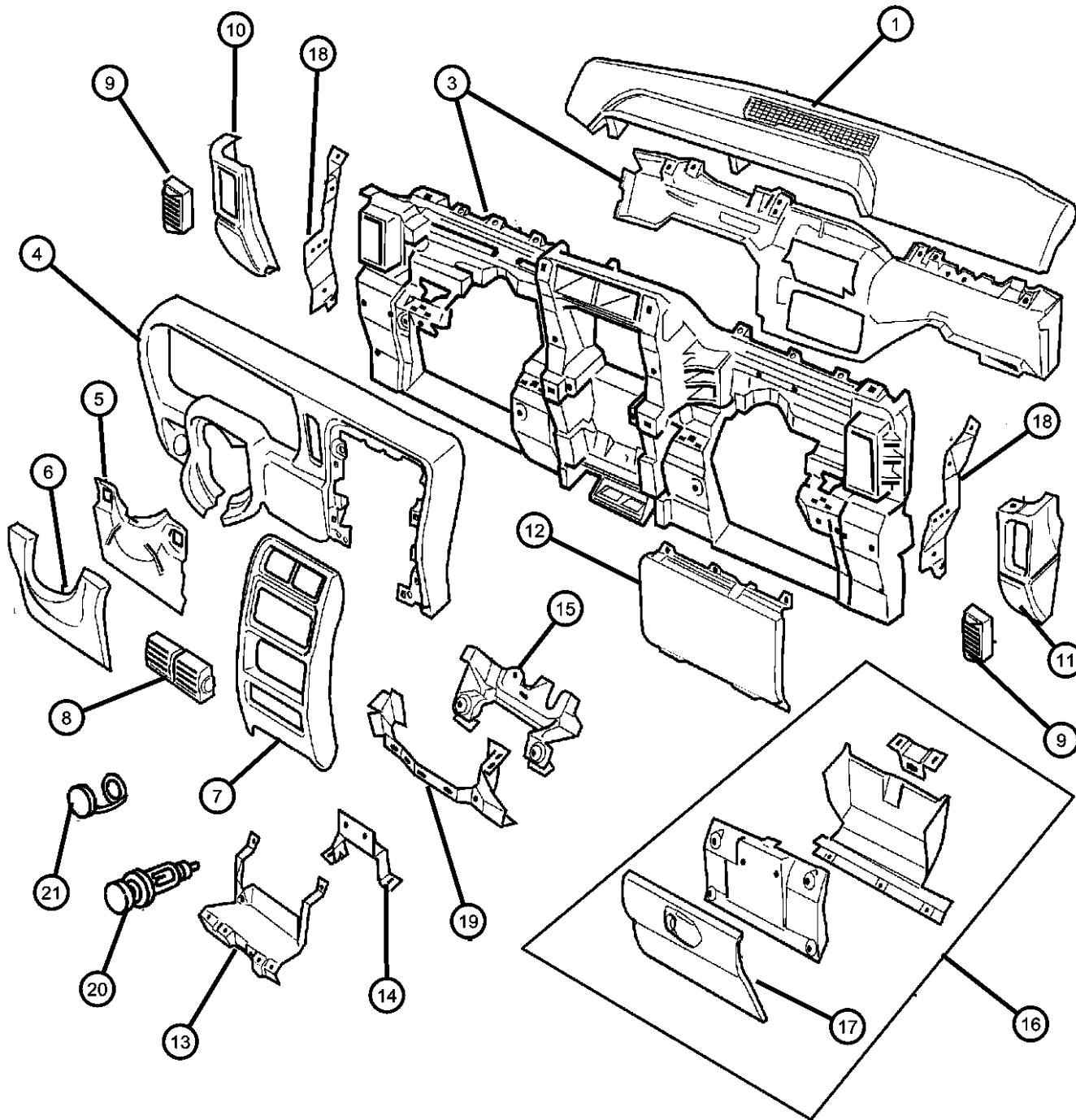
Radio	Fig. 08A - 310
Speakers	Fig. 08A - 320
Antenna	Fig. 08A - 330

Consoles

Floor Console	Fig. 08A - 420
Overhead Console	Fig. 08A - 450



Pad & Bezel (LHD)
Figure 08A-120



ITEM	PART NUMBER	QTY	LINE	SERIES	BODY	ENGINE	TRANS	TRIM	DESCRIPTION
1	5EB78LAZAB	1	J, T						COVER, Instrument Panel, Agate
-2	55037354	7	J, T						CLIP, Panel, OTY. 07
3	04897067AA	1	J, T						PANEL, Instrument Panel
4	5EJ84LAZAC	1	J, T						BEZEL, Instrument Cluster 2.5L & 4.0L Engine (Agate)
	5ER60LAZAC	1	J, T						Diesel Engine (Agate)
5	55115525AB	1							LINER, Steering Column Cover
6	5EJ92LAZ	1							COVER, Steering Column Agate
	5EJ92RK5	1							Tan/Agate
7	5EB69LAZAE	1							BEZEL, Instrument Panel, Center Black
	5EN00LAZAE	1							Agate/Woodgrain
8	5FS10LAZAB	1							OUTLET, Air Conditioning & Heater, Agate, Center
9	5DP54TAZ	1	J, T						OUTLET, Air Conditioning & Heater Agate, Right
	5DP55TAZ	1	J, T						Agate, Left
10	5EB771K5AC	1	J, T						CAP, Instrument Panel End Tan/Agate, Left
	5EB77LAZAC	1	J, T						Agate, Left
11	5EB761K5AC	1	J, T						CAP, Instrument Panel End Tan/Agate, Right
	5EB76LAZAC	1	J, T						Agate, Right
12	5GE02LAZAA	1	J, T						AIR BAG, Passenger, Agate
13	55115467AB	1	J, T						BRACKET, Air Bag

CHEROKEE (XJ)

SERIES

H = Sport
L = SE
P = Classic
S = Limited

LINE

T = JEEP - 2WD
B = JEEP - 2WD (RHD)
J = JEEP - 4WD
U = JEEP - 4WD (RHD)

BODY

74 = 4 Dr (101.4WB)
72 = 2 Dr (101.4WB)

ENGINE

ENC = ENGINE - 2.5L 4 CYL
TURBO DIESEL
EPE = ENGINE - 2.5L POWER
TECH I-4 Cyl.
ERH = ENGINE - 4.0L
POWER TECH I-6

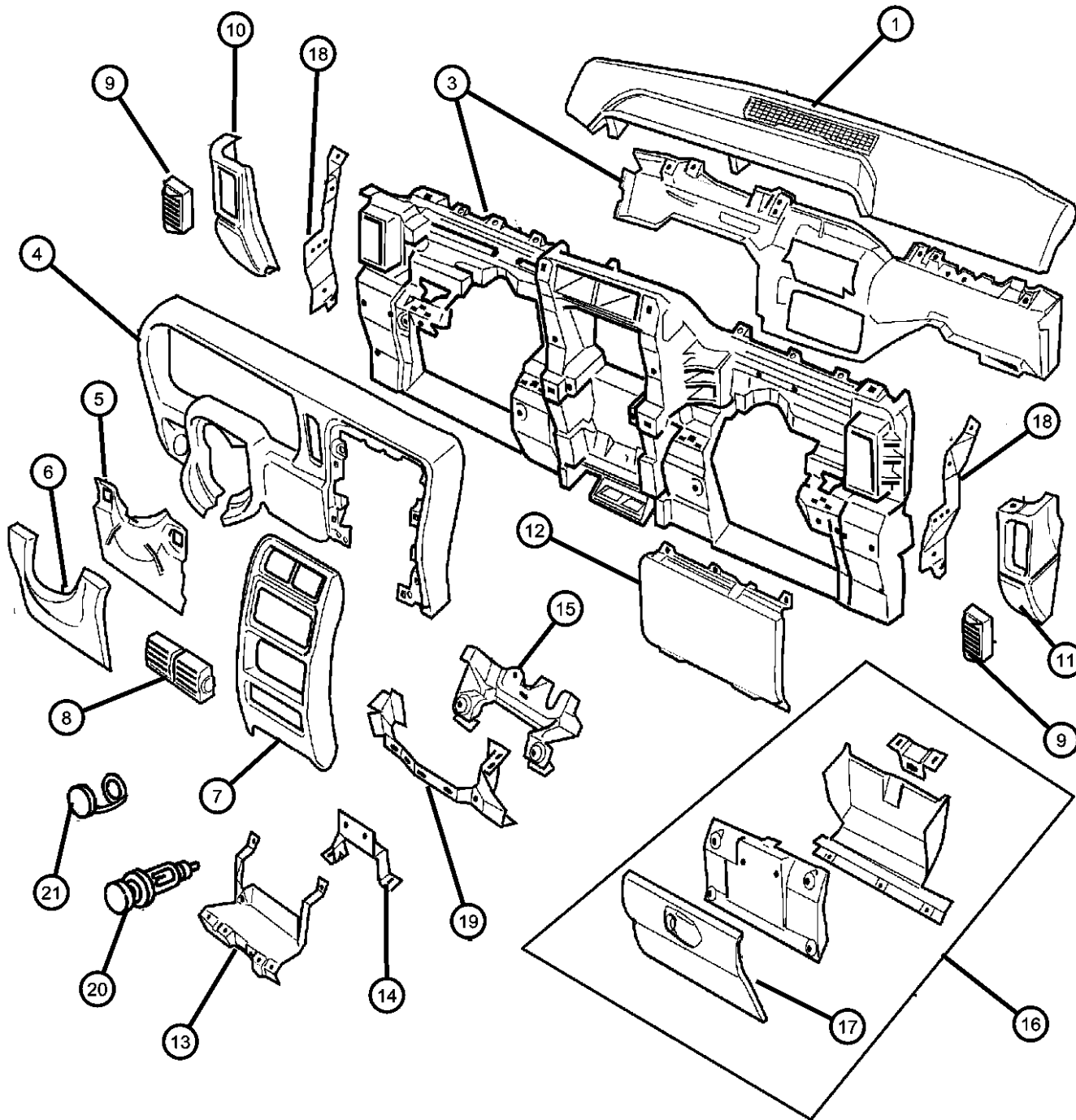
TRANSMISSION

DDD = TRANSMISSION - 5-SPEED
HD MANUAL
DDQ = TRANSMISSION - 5-SPEED
MANUAL
DGD = TRANSMISSION - 3-SPD.
AUTOMATIC,30RH
DGK = TRANSMISSION - 4-SPD.
AUTOMATIC,42RE
DGS = TRANSMISSION-4SPD.
AUTO,AISIN WARNER
DGT = TRANSMISSION - 4-SPD.
AUTOMATIC,46RE
DGW = TRANSMISSION - 4-SPD.
AUTOMATIC,44RE
DGX = TRANSMISSION - 4-SPEED
AUTOMATIC
DBB = ALL MANUAL
TRANSMISSIONS
DGO = ALL AUTOMATIC
TRANSMISSIONS

AR = use ase required - = Non illustrated part

2000 XJ

Pad & Bezel (LHD)
Figure 08A-120



ITEM	PART NUMBER	QTY	LINE	SERIES	BODY	ENGINE	TRANS	TRIM	DESCRIPTION
14	55115489AB	1							BRACKET, Instrument Panel/P Floor Bracket To Floor
15	55115561	1	J, T						BRACKET, Instrument Cluster
16									GLOVE BOX, Instrument Panel
	5EB70LAZ	1	J, T						Agate
	5EB70RK5	1	J, T						Tan/Agate
17	5EB70RK5	1							DOOR, Glove Box, Serviced w/Glovebox Assembly, (NOT SERVICED),
18									SUPPORT, Instrument Panel
	55037194AB	1	J, T						Right
	55037195AB	1	J, T						Left
19	55037395AA	1	J, T						REINFORCEMENT, Instrument Panel
20	04685536	1							KNOB AND ELEMENT, Cigar Lighter
21	04685536	1							POWER OUTLET, Cigar Lighter, Serviced in Switch Bezel (Item #27), (NOT SERVICED)
-22	04685536	1							BASE, Cigar Lighter, Serviced in Switch Bezel (Item #27), (NOT SERVICED)
-23									LABEL, Air Bag Warning
	04595748AA	1							End Cap Warning
	04595749AA	1	J, T						Visor English/French (5 Point)
	05265949	1	J, T						I/Panel Airbag Warning
-24									BUMPER, Glove Box Door
	04524343	2							Glovebox Catch
	55037414AA	2	J, T						Glovebox Door

CHEROKEE (XJ)

SERIES	LINE
H = Sport	T = JEEP - 2WD
L = SE	B = JEEP - 2WD (RHD)
P = Classic	J = JEEP - 4WD
S = Limited	U = JEEP - 4WD (RHD)

BODY
74 = 4 Dr (101.4WB)
72 = 2 Dr (101.4WB)

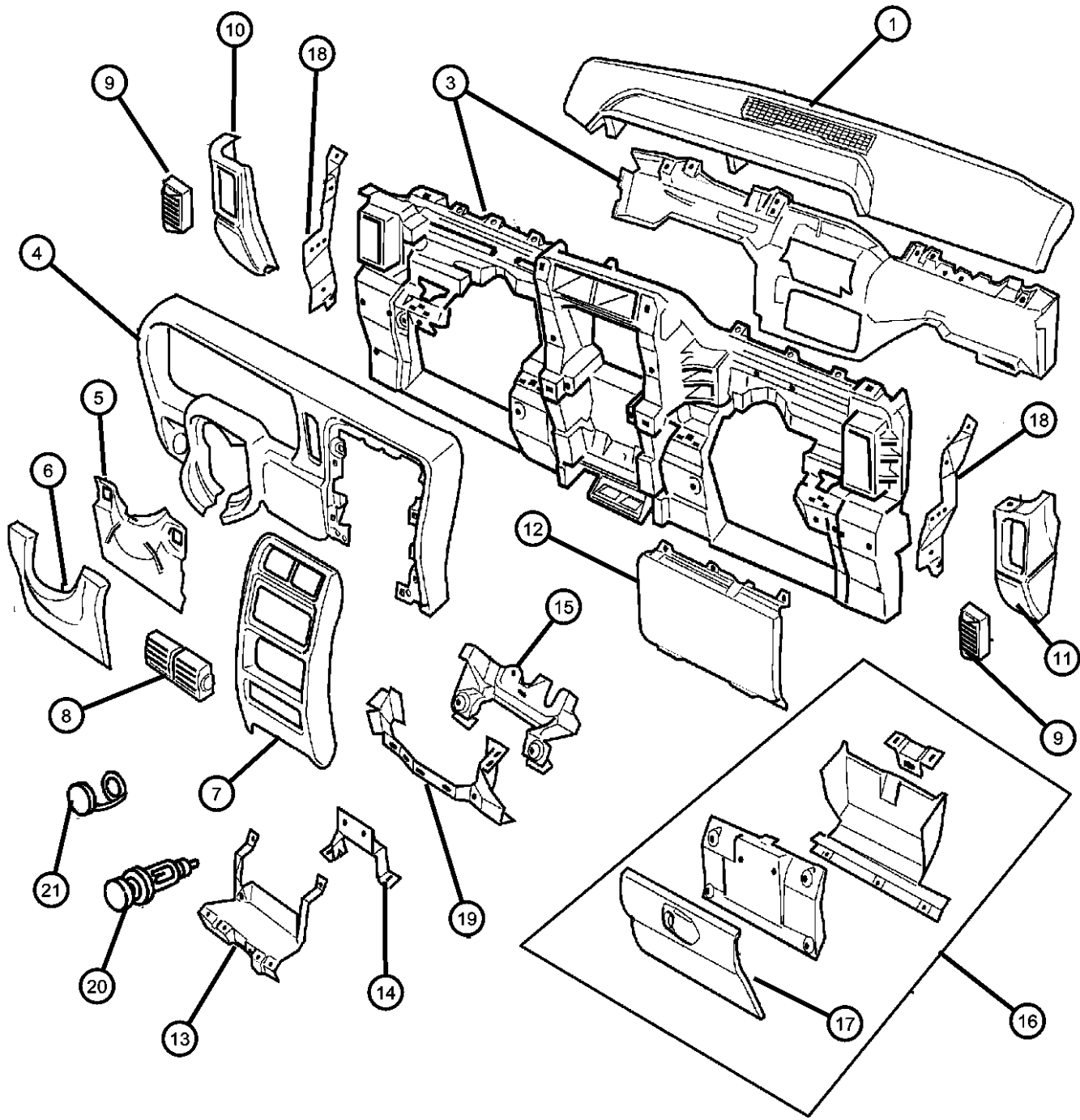
ENGINE
ENC = ENGINE - 2.5L 4 CYL TURBO DIESEL
EPE = ENGINE - 2.5L POWER TECH I-4 Cyl.
ERH = ENGINE - 4.0L POWER TECH I-6

TRANSMISSION
DDD = TRANSMISSION - 5-SPEED HD MANUAL
DDQ = TRANSMISSION - 5-SPEED MANUAL
DGD = TRANSMISSION - 3-SPD. AUTOMATIC,30RH
DGK = TRANSMISSION - 4-SPD. AUTOMATIC,42RE
DGS = TRANSMISSION-4SPD. AUTO,AISIN WARNER
DGT = TRANSMISSION - 4-SPD. AUTOMATIC,46RE
DGW = TRANSMISSION - 4-SPD. AUTOMATIC,44RE
DGX = TRANSMISSION - 4-SPEED AUTOMATIC
DBB = ALL MANUAL TRANSMISSIONS
DGO = ALL AUTOMATIC TRANSMISSIONS

AR = use ase required - = Non illustrated part

2000 XJ

Pad & Bezel (LHD)
Figure 08A-120



ITEM	PART NUMBER	QTY	LINE	SERIES	BODY	ENGINE	TRANS	TRIM	DESCRIPTION
-25	5EB72LAZ	1	J, T						DOOR, Passenger Air Bag, Agate
-26	06034833	2	J, T						CLIP, Push, .164-7.5
-27									BEZEL, Switch
	04897502AG	1							w/Front Foglamp, Rear Defroster, Rear Wiper & w/o Rear Foglamp & w/o Police Package
		1							w/Rear Wiper, Rear Defroster, Police Package & w/o Rear Foglamp & w/o Front Foglamp
		1	J, U						w/Rear Foglamp, Rear Defroster, Rear Wiper/Washer & w/o Front Foglamp
	04897503AG	1							w/Rear Defroster, Rear Wiper & w/o Rear Foglamp, Front Foglamp & w/o Police Package
	04897505AG	1	J, U						w/Rear Foglamp, Rear Defroster, Rear Wiper/Washer & w/Front Foglamp
-28	55217409AL	1	J, T						INSULATION, Dash Panel
-29	56008902	1							BRACKET, Air Bag Control Module

CHEROKEE (XJ)

SERIES	LINE
H = Sport	T = JEEP - 2WD
L = SE	B = JEEP - 2WD (RHD)
P = Classic	J = JEEP - 4WD
S = Limited	U = JEEP - 4WD (RHD)

BODY
74 = 4 Dr (101.4WB)
72 = 2 Dr (101.4WB)

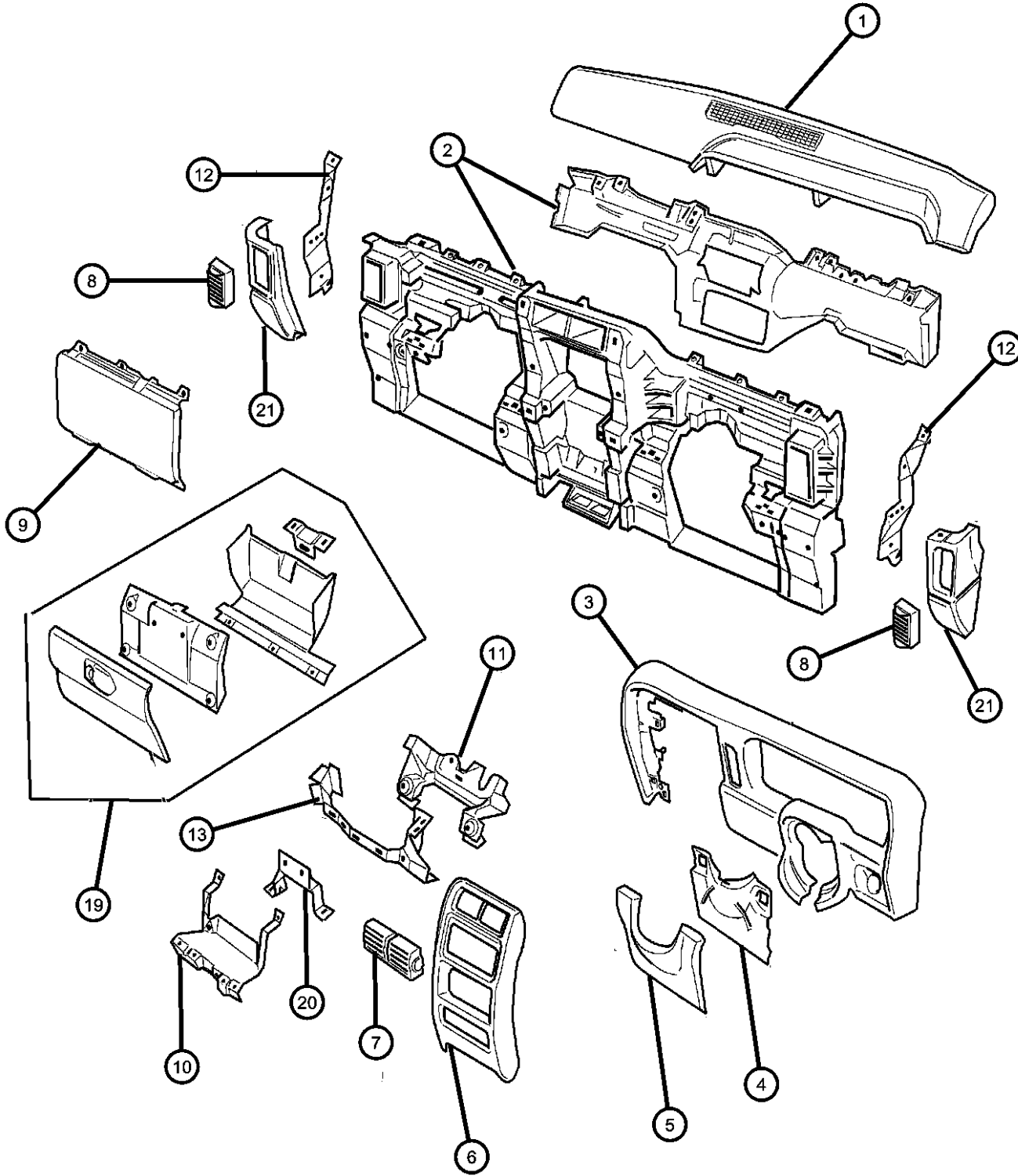
ENGINE
ENC = ENGINE - 2.5L 4 CYL TURBO DIESEL
EPE = ENGINE - 2.5L POWER TECH I-4 Cyl.
ERH = ENGINE - 4.0L POWER TECH I-6

TRANSMISSION
DDD = TRANSMISSION - 5-SPEED HD MANUAL
DDQ = TRANSMISSION - 5-SPEED MANUAL
DGD = TRANSMISSION - 3-SPD. AUTOMATIC,30RH
DGK = TRANSMISSION - 4-SPD. AUTOMATIC,42RE
DGS = TRANSMISSION-4SPD. AUTO,AISIN WARNER
DGT = TRANSMISSION - 4-SPD. AUTOMATIC,46RE
DGW = TRANSMISSION - 4-SPD. AUTOMATIC,44RE
DGX = TRANSMISSION - 4-SPEED AUTOMATIC
DBB = ALL MANUAL TRANSMISSIONS
DGO = ALL AUTOMATIC TRANSMISSIONS

AR = use ase required - = Non illustrated part

2000 XJ

**Pad & Bezels (RHD)
Figure 08A-122**



ITEM	PART NUMBER	QTY	LINE	SERIES	BODY	ENGINE	TRANS	TRIM	DESCRIPTION
1	5EB71LAZAB	1	B, U						COVER, Instrument Panel, Agate
2	04897066AA	1	B, U						PANEL, Instrument Panel
3	5EJ85LAZAC	1	B, U						BEZEL, Instrument Cluster 2.5L & 4.0L Engine (Agate)
	5ER59LAZAC	1	B, U						Diesel Engine (Agate)
4	55115525AB	1							LINER, Steering Column Cover
5	5EJ92LAZ	1							COVER, Steering Column Agate
	5EJ92RK5	1							Tan/Agate
6	5EB69LAZAE	1							BEZEL, Instrument Panel, Center Black
	5EN00LAZAE	1							Agate/Woodgrain
7	5FS10LAZAB	1							OUTLET, Air Conditioning & Heater, Agate, Center
8	5DP54TAZ	1	B, U						OUTLET, Air Conditioning & Heater Agate, Right
	5DP55TAZ	1	B, U						Agate, Left
9	5GE03LAZAA	1	B, U						AIR BAG, Passenger, Agate
10	55115466AB	1	B, U						BRACKET, Air Bag
11	55115561	1	B, U						BRACKET, Instrument Cluster
12	55037194AB	1	B, U						SUPPORT, Instrument Panel Right
	55037195AB	1	B, U						Left
13	55037394AA	1	B, U						REINFORCEMENT, Instrument Panel
-14	06034833	2	B, U						CLIP, Push, .164-7.5
-15									LABEL, Air Bag Warning

CHEROKEE (XJ)

SERIES

H = Sport
L = SE
P = Classic
S = Limited

LINE

T = JEEP - 2WD
B = JEEP - 2WD (RHD)
J = JEEP - 4WD
U = JEEP - 4WD (RHD)

BODY

74 = 4 Dr (101.4WB)
72 = 2 Dr (101.4WB)

ENGINE

ENC = ENGINE - 2.5L 4 CYL
TURBO DIESEL
EPE = ENGINE - 2.5L POWER
TECH I-4 Cyl.
ERH = ENGINE - 4.0L
POWER TECH I-6

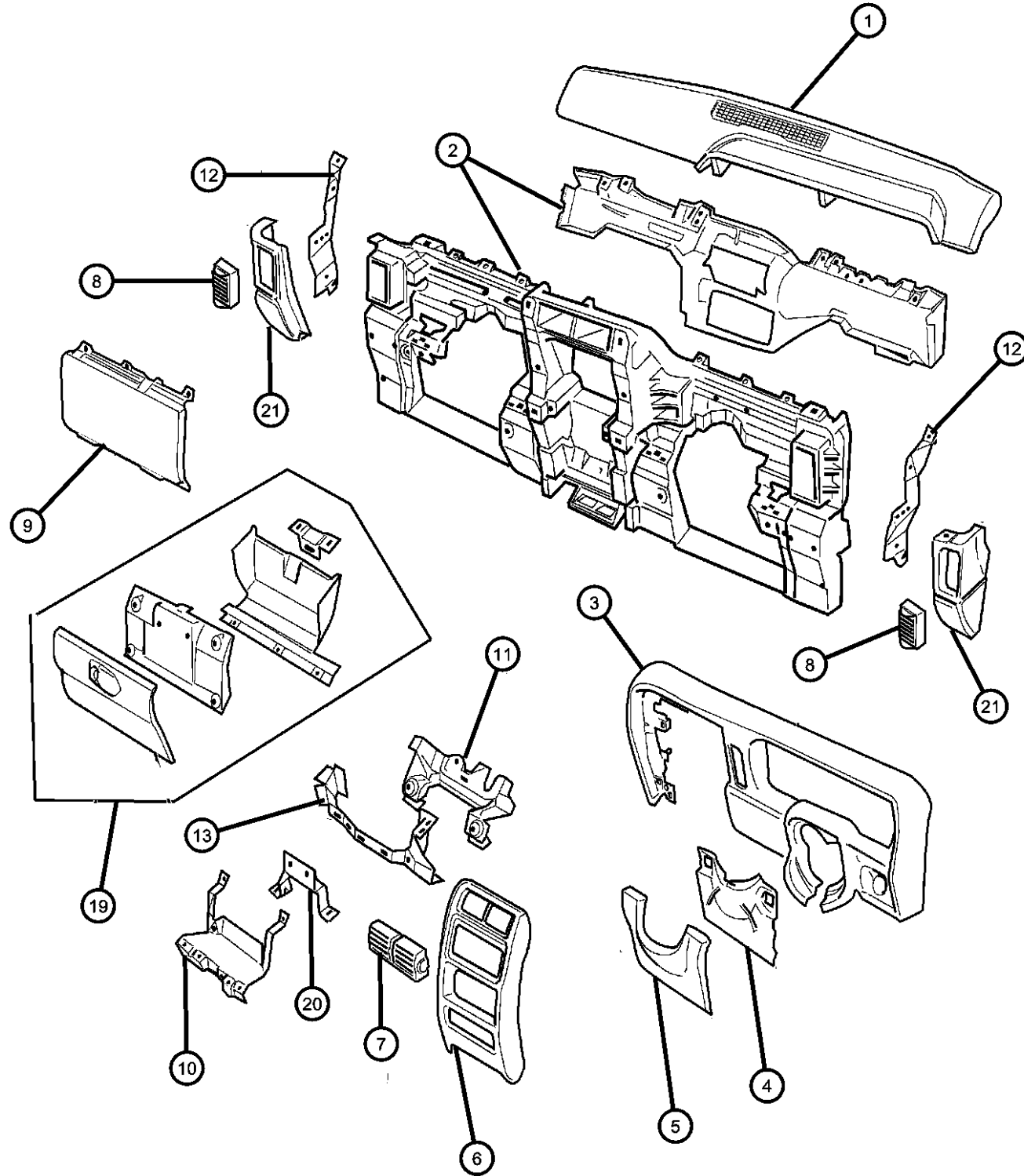
TRANSMISSION

DDD = TRANSMISSION - 5-SPEED
HD MANUAL
DDQ = TRANSMISSION - 5-SPEED
MANUAL
DGD = TRANSMISSION - 3-SPD.
AUTOMATIC,30RH
DGK = TRANSMISSION - 4-SPD.
AUTOMATIC,42RE
DGS = TRANSMISSION-4SPD.
AUTO,AISIN WARNER
DGT = TRANSMISSION - 4-SPD.
AUTOMATIC,46RE
DGW = TRANSMISSION - 4-SPD.
AUTOMATIC,44RE
DGX = TRANSMISSION - 4-SPEED
AUTOMATIC
DBB = ALL MANUAL
TRANSMISSIONS
DGO = ALL AUTOMATIC
TRANSMISSIONS

AR = use ase required - = Non illustrated part

2000 XJ

**Pad & Bezels (RHD)
Figure 08A-122**



ITEM	PART NUMBER	QTY	LINE	SERIES	BODY	ENGINE	TRANS	TRIM	DESCRIPTION
	04595746AA	1							Removable Dash Warning
	04595748AA	1							End Cap Warning
	05265949	1	B, U						I/Panel Warning
-16	5EB67LAZ	1	B, U						DOOR, Passenger Air Bag, Agate
-17	55115470AB	1	B, U						STRIKER, Glove Box Door Latch
-18									BUMPER, Glove Box Door
	04524343	2							Glovebox Catch
	55037414AA	2	B, U						Glovebox Door
19									GLOVE BOX, Instrument Panel
	5EE07LAZ	1	B, U						Agate
	5EE07RK5	1	B, U						Tan/Agate
20	55115489AB	1							BRACKET, Instrument Panel
21									CAP, Instrument Panel End
	5EB761K5AC	1	B, U						Tan/Agate, Right
	5EB76LAZAC	1	B, U						Agate, Right
	5EB771K5AC	1	B, U						Tan/Agate, Left
	5EB77LAZAC	1	B, U						Agate, Left

CHEROKEE (XJ)

SERIES	LINE
H = Sport	T = JEEP - 2WD
L = SE	B = JEEP - 2WD (RHD)
P = Classic	J = JEEP - 4WD
S = Limited	U = JEEP - 4WD (RHD)

BODY
74 = 4 Dr (101.4WB)
72 = 2 Dr (101.4WB)

ENGINE
ENC = ENGINE - 2.5L 4 CYL TURBO DIESEL
EPE = ENGINE - 2.5L POWER TECH I-4 Cyl.
ERH = ENGINE - 4.0L POWER TECH I-6

TRANSMISSION
DDD = TRANSMISSION - 5-SPEED HD MANUAL
DDQ = TRANSMISSION - 5-SPEED MANUAL
DGD = TRANSMISSION - 3-SPD. AUTOMATIC,30RH
DGK = TRANSMISSION - 4-SPD. AUTOMATIC,42RE
DGS = TRANSMISSION-4SPD. AUTO,AISIN WARNER
DGT = TRANSMISSION - 4-SPD. AUTOMATIC,46RE
DGW = TRANSMISSION - 4-SPD. AUTOMATIC,44RE
DGX = TRANSMISSION - 4-SPEED AUTOMATIC
DBB = ALL MANUAL TRANSMISSIONS
DGO = ALL AUTOMATIC TRANSMISSIONS

AR = use ase required - = Non illustrated part

Cluster
Figure 08A-220

ITEM	PART NUMBER	QTY	LINE	SERIES	BODY	ENGINE	TRANS	TRIM	DESCRIPTION
1									CLUSTER
	56010190AC	1							2.5L & 4.0L Engine w/100 MPH & w/o Tach (Lowline)
	56010191AC	1							2.5L & 4.0L Engine w/200 KPH & w/o Tach (Lowline)
	56010192AC	1							2.5L & 4.0L Engine w/100 MPH & w/Tach (High Line)
	56010193AC	1							2.5L & 4.0L Engine w/200 KPH & w/Tach (High Line)
	56010194AC	1	B, U						2.5L & 4.0L Engine w/200 KPH & w/Tach (High Line) w/o Secondary
	56010195AC	1	B, U						2.5L & 4.0L Engine w/120 MPH & w/Tach (High Line)
	56010196AC	1	B, U						Diesel Engine w/120 MPH
	56010197AC	1	B, U						Diesel Engine w/200 KPH & w/o Secondary
	56010198AC	1							Diesel Engine w/200 KPH Primary
	56010199AC	1	J, T						120 MPH (Police)
	56010200AC	1	J, T						200 KPH (Police)
2	04874345	1							LENS, Cluster
3	04874344	1							MASK, Instrument Cluster
4	L000PC74	10							BULB, PC74
5	04874349	5	B, U						BULB AND SOCKET
6	04874348	1							COVER, Cluster
7	06032723	4							SCREW, Self Tapping, M4.2x1.69x19.05
8	04874346	1							GROMMET, Speedometer Trip Reset
-9	04874346	1							BOARD, Circuit, Serviced w/Item # 1, (NOT SERVICED)

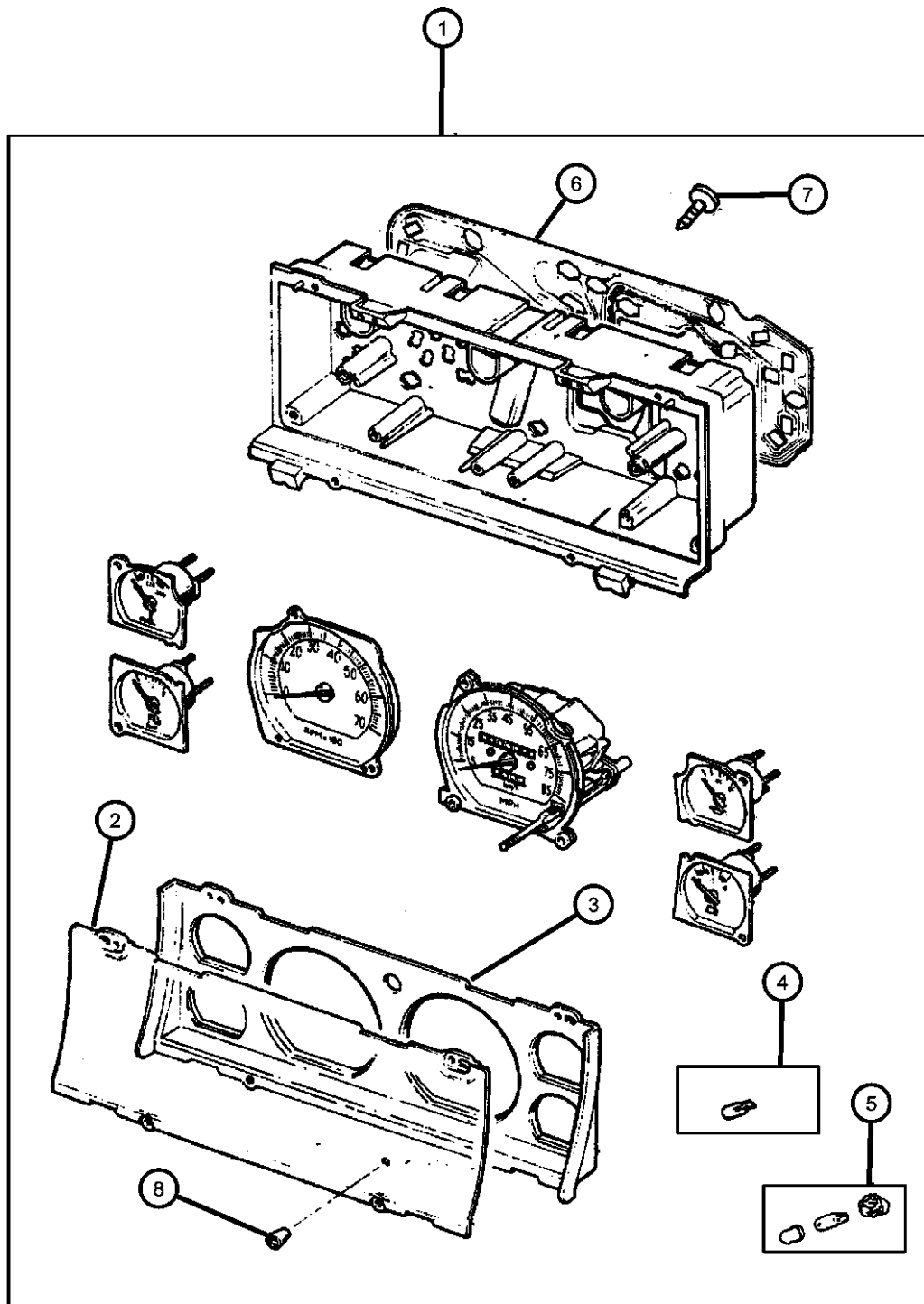
CHEROKEE (XJ)

SERIES	LINE
H = Sport	T = JEEP - 2WD
L = SE	B = JEEP - 2WD (RHD)
P = Classic	J = JEEP - 4WD
S = Limited	U = JEEP - 4WD (RHD)

BODY
74 = 4 Dr (101.4WB)
72 = 2 Dr (101.4WB)

ENGINE
ENC = ENGINE - 2.5L 4 CYL TURBO DIESEL
EPE = ENGINE - 2.5L POWER TECH I-4 Cyl.
ERH = ENGINE - 4.0L POWER TECH I-6

TRANSMISSION
DDD = TRANSMISSION - 5-SPEED HD MANUAL
DDQ = TRANSMISSION - 5-SPEED MANUAL
DGD = TRANSMISSION - 3-SPD. AUTOMATIC,30RH
DGK = TRANSMISSION - 4-SPD. AUTOMATIC,42RE
DGS = TRANSMISSION-4SPD. AUTO,AISIN WARNER
DGT = TRANSMISSION - 4-SPD. AUTOMATIC,46RE
DGW = TRANSMISSION - 4-SPD. AUTOMATIC,44RE
DGX = TRANSMISSION - 4-SPEED AUTOMATIC
DBB = ALL MANUAL TRANSMISSIONS
DGO = ALL AUTOMATIC TRANSMISSIONS



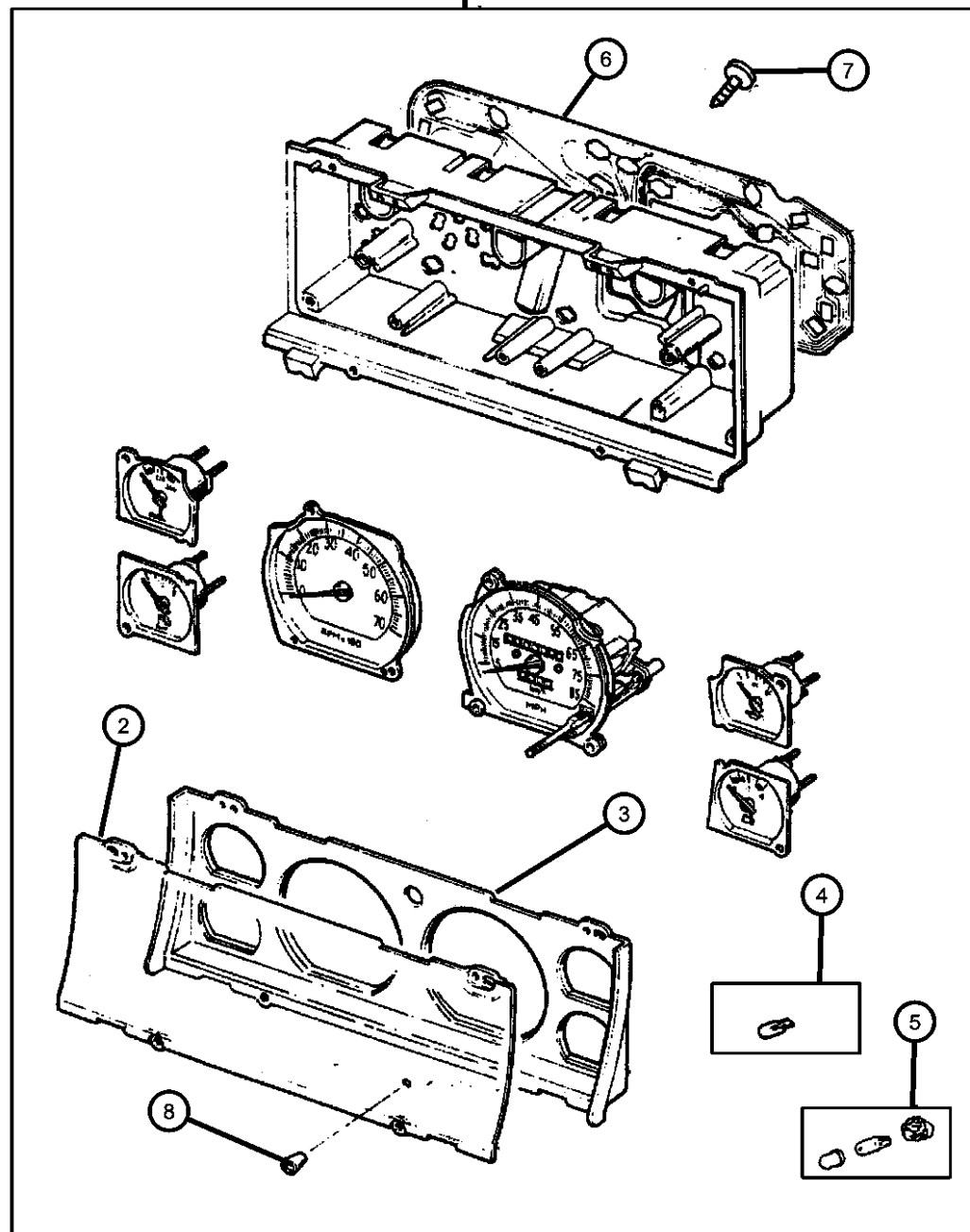
Cluster
Figure 08A-220

ITEM	PART NUMBER	QTY	LINE	SERIES	BODY	ENGINE	TRANS	TRIM	DESCRIPTION
------	-------------	-----	------	--------	------	--------	-------	------	-------------

-10

56009613	1	J, T
56009639	1	B, U

INDICATOR
Diesel Engine
Diesel Engine



CHEROKEE (XJ)

SERIES	LINE
H = Sport	T = JEEP - 2WD
L = SE	B = JEEP - 2WD (RHD)
P = Classic	J = JEEP - 4WD
S = Limited	U = JEEP - 4WD (RHD)

BODY
74 = 4 Dr (101.4WB)
72 = 2 Dr (101.4WB)

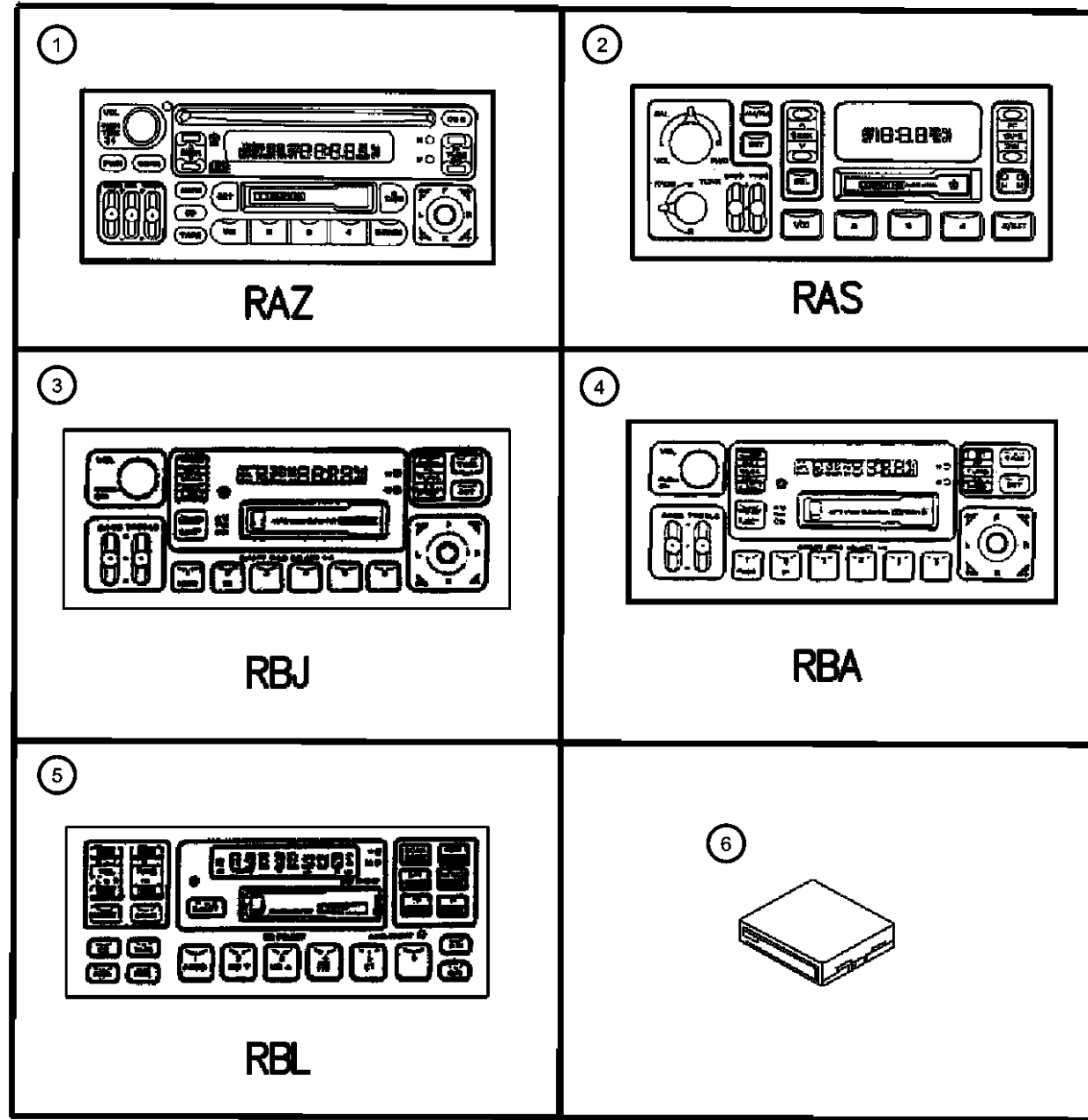
ENGINE
ENC = ENGINE - 2.5L 4 CYL TURBO DIESEL
EPE = ENGINE - 2.5L POWER TECH I-4 Cyl.
ERH = ENGINE - 4.0L POWER TECH I-6

TRANSMISSION
DDD = TRANSMISSION - 5-SPEED HD MANUAL
DDQ = TRANSMISSION - 5-SPEED MANUAL
DGD = TRANSMISSION - 3-SPD. AUTOMATIC,30RH
DGK = TRANSMISSION - 4-SPD. AUTOMATIC,42RE
DGS = TRANSMISSION-4SPD. AUTO,AISIN WARNER
DGT = TRANSMISSION - 4-SPD. AUTOMATIC,46RE
DGW = TRANSMISSION - 4-SPD. AUTOMATIC,44RE
DGX = TRANSMISSION - 4-SPEED AUTOMATIC
DBB = ALL MANUAL TRANSMISSIONS
DGO = ALL AUTOMATIC TRANSMISSIONS

AR = use ase required - = Non illustrated part

2000 XJ

Radio
Figure 08A-310



ITEM	PART NUMBER	QTY	LINE	SERIES	BODY	ENGINE	TRANS	TRIM	DESCRIPTION
------	-------------	-----	------	--------	------	--------	-------	------	-------------

RAS=AM/FM Cassette
 RAZ=AM/FM w/Cassette & CD
 RBA=AM/FM w/Cassette & CD Changer Control (Argentina, Brazil, Paraguay & Uruguay)
 RBJ=Midline AM/FM w/Cassette & CD Changer Control (Japan)
 RBL=AM/FM/MW/RDS Cassette & CD Changer Control (Europe)

1	04704383AH	1							RADIO, AM/FM with CD and Cassette, (RAZ)
2	56038933AB	1							RADIO, AM/FM Cassette, (RAS)
3	04704393AD	1							RADIO, AM/FM with CD, (RBJ)
4	04704392AD	1							RADIO, AM/FM with CD, (RBA)
5	04859504AD	1							RADIO, FM/MW/LW-RDS and Cassette, (RBL)
6	56007653AD	1							AMPLIFIER, Radio

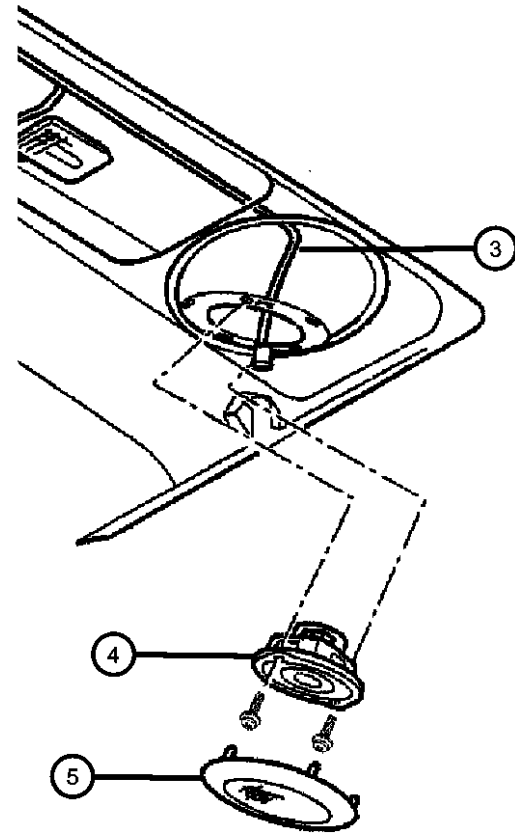
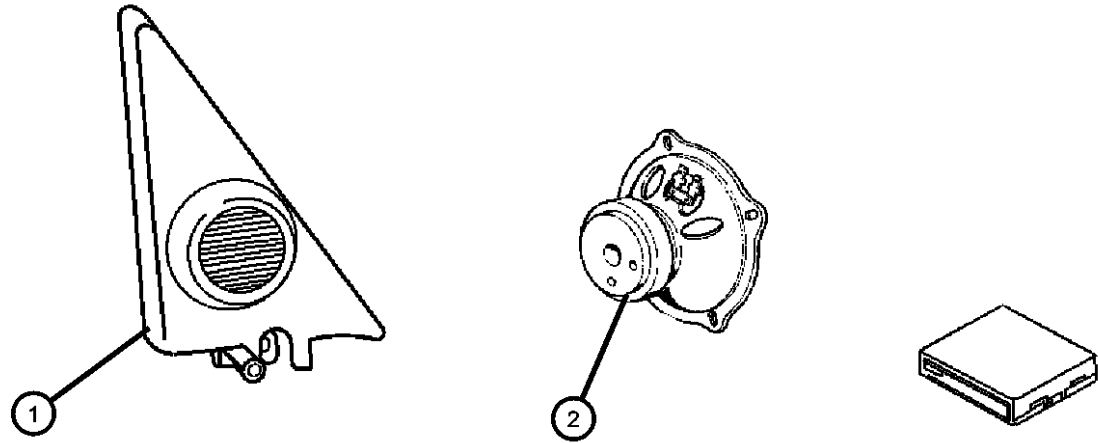
CHEROKEE (XJ)

SERIES	LINE	BODY	ENGINE	TRANSMISSION
H = Sport	T = JEEP - 2WD	74 = 4 Dr (101.4WB)	ENC = ENGINE - 2.5L 4 CYL TURBO DIESEL	DDD = TRANSMISSION - 5-SPEED HD MANUAL
L = SE	B = JEEP - 2WD (RHD)	72 = 2 Dr (101.4WB)	EPE = ENGINE - 2.5L POWER TECH I-4 Cyl.	DDQ = TRANSMISSION - 5-SPEED MANUAL
P = Classic	J = JEEP - 4WD		ERH = ENGINE - 4.0L POWER TECH I-6	DGD = TRANSMISSION - 3-SPD. AUTOMATIC,30RH
S = Limited	U = JEEP - 4WD (RHD)			DGK = TRANSMISSION - 4-SPD. AUTOMATIC,42RE
				DGS = TRANSMISSION-4SPD. AUTO,AISIN WARNER
				DGT = TRANSMISSION - 4-SPD. AUTOMATIC,46RE
				DGW = TRANSMISSION - 4-SPD. AUTOMATIC,44RE
				DGX = TRANSMISSION - 4-SPEED AUTOMATIC
				DBB = ALL MANUAL TRANSMISSIONS
				DGO = ALL AUTOMATIC TRANSMISSIONS

AR = use ase required - = Non illustrated part

2000 XJ

Speakers Figure 08A-320



ITEM	PART NUMBER	QTY	LINE	SERIES	BODY	ENGINE	TRANS	TRIM	DESCRIPTION
RCB=Two Speaker System RCD=Four Speaker System RCG=Six Premium Speaker System (Infinity)									
1									COVER, Mirror Opening
	5FM02LAZAB	1							w/o Tweeter (Agate), Right
	5FM03LAZAB	1							w/o Tweeter (Agate), Left
	5FV14LAZAB	1							w/Tweeter (Agate), Right
	5FV15LAZAB	1							w/Tweeter (Agate), Left
2									SPEAKER, Door
	56008750AC	2							Premium RCG
	56008751AD	2							Standard RCB=RCR
3	56009936AA	1							WIRING, Headliner
4									SPEAKER, Sound Bar
	56008754AB	2							Standard (5.25 Full Range)
	56008756	1							Premium (5.25 Coaxial)
5									GRILLE, Speaker
	5FY19HW8AA	2							Quartz
	5FY19RK5AA	2							Tan/Agate
-6	55352694AA	AR							BRACKET, Speaker

CHEROKEE (XJ)

SERIES

H = Sport
L = SE
P = Classic
S = Limited

LINE

T = JEEP - 2WD
B = JEEP - 2WD (RHD)
J = JEEP - 4WD
U = JEEP - 4WD (RHD)

BODY

74 = 4 Dr (101.4WB)
72 = 2 Dr (101.4WB)

ENGINE

ENC = ENGINE - 2.5L 4 CYL TURBO DIESEL
EPE = ENGINE - 2.5L POWER TECH I-4 Cyl.
ERH = ENGINE - 4.0L POWER TECH I-6

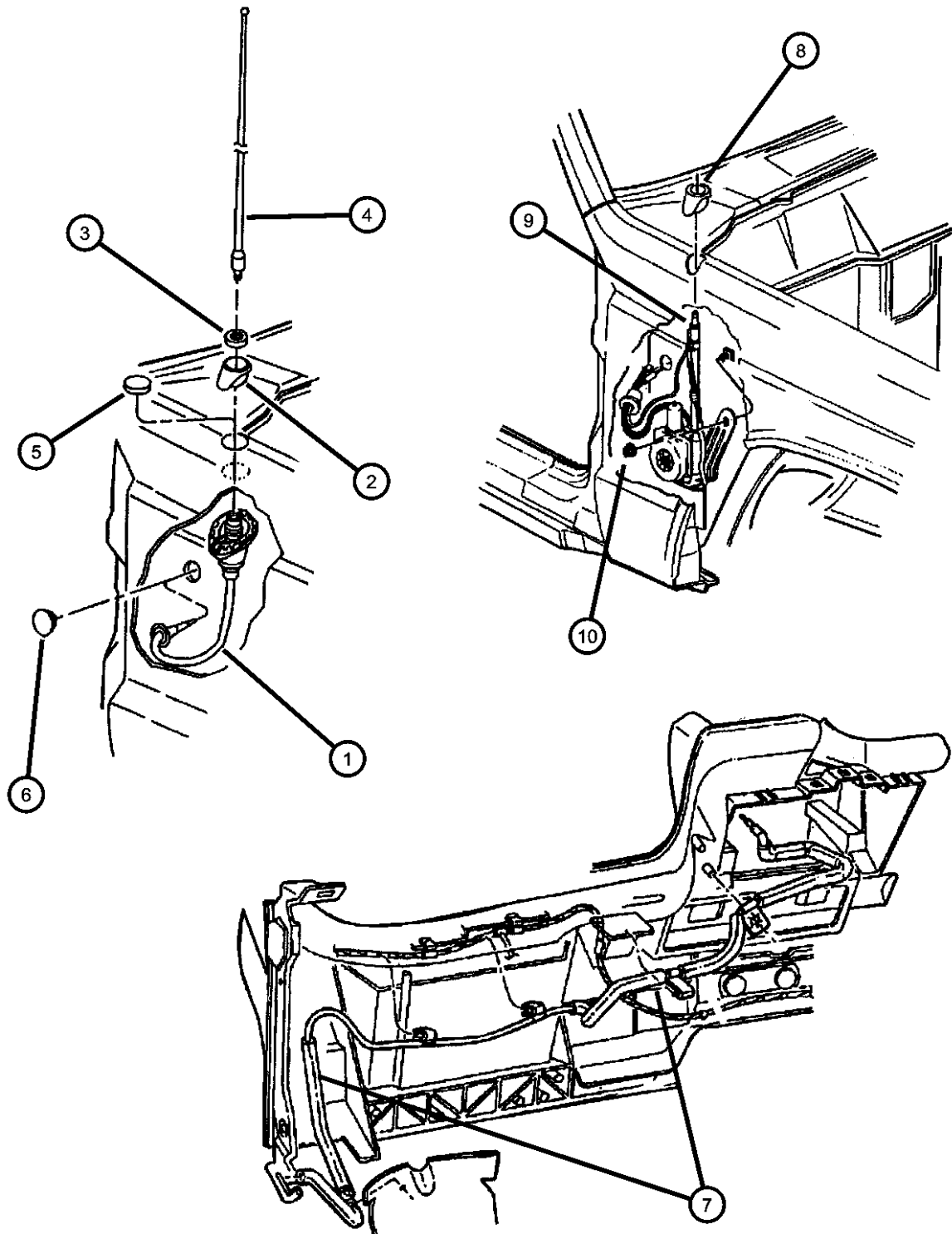
TRANSMISSION

DDD = TRANSMISSION - 5-SPEED HD MANUAL
DDQ = TRANSMISSION - 5-SPEED MANUAL
DGD = TRANSMISSION - 3-SPD. AUTOMATIC,30RH
DGK = TRANSMISSION - 4-SPD. AUTOMATIC,42RE
DGS = TRANSMISSION-4SPD. AUTO,AISIN WARNER
DGT = TRANSMISSION - 4-SPD. AUTOMATIC,46RE
DGW = TRANSMISSION - 4-SPD. AUTOMATIC,44RE
DGX = TRANSMISSION - 4-SPEED AUTOMATIC
DBB = ALL MANUAL TRANSMISSIONS
DGO = ALL AUTOMATIC TRANSMISSIONS

AR = use ase required - = Non illustrated part

2000 XJ

Antenna
Figure 08A-330



ITEM	PART NUMBER	QTY	LINE	SERIES	BODY	ENGINE	TRANS	TRIM	DESCRIPTION
1	56038505AB	1							BASE, Antenna
2	56038507AB	1							ESCUTCHEON, Antenna
3	56007570AB	1							CAP NUT, Antenna
4	56008917	1							MAST, Antenna
5	56038506	1							PLUG, Antenna Hole
6	02860332	1							PLUG, Anti-Rattle
7									CABLE, Antenna
	56038508AD	1	J, T						
	56038509AB	1	B, U						
8									GROMMET, Antenna Mounting
	56022200AA	1	J, T						
		1	B, U						
9									ANTENNA
	56022199AA	1	B, U						
		1	J, T						
10	06101820	1							NUT, Hex Flange Lock

CHEROKEE (XJ)

SERIES LINE
H = Sport T = JEEP - 2WD
L = SE B = JEEP - 2WD (RHD)
P = Classic J = JEEP - 4WD
S = Limited U = JEEP - 4WD (RHD)

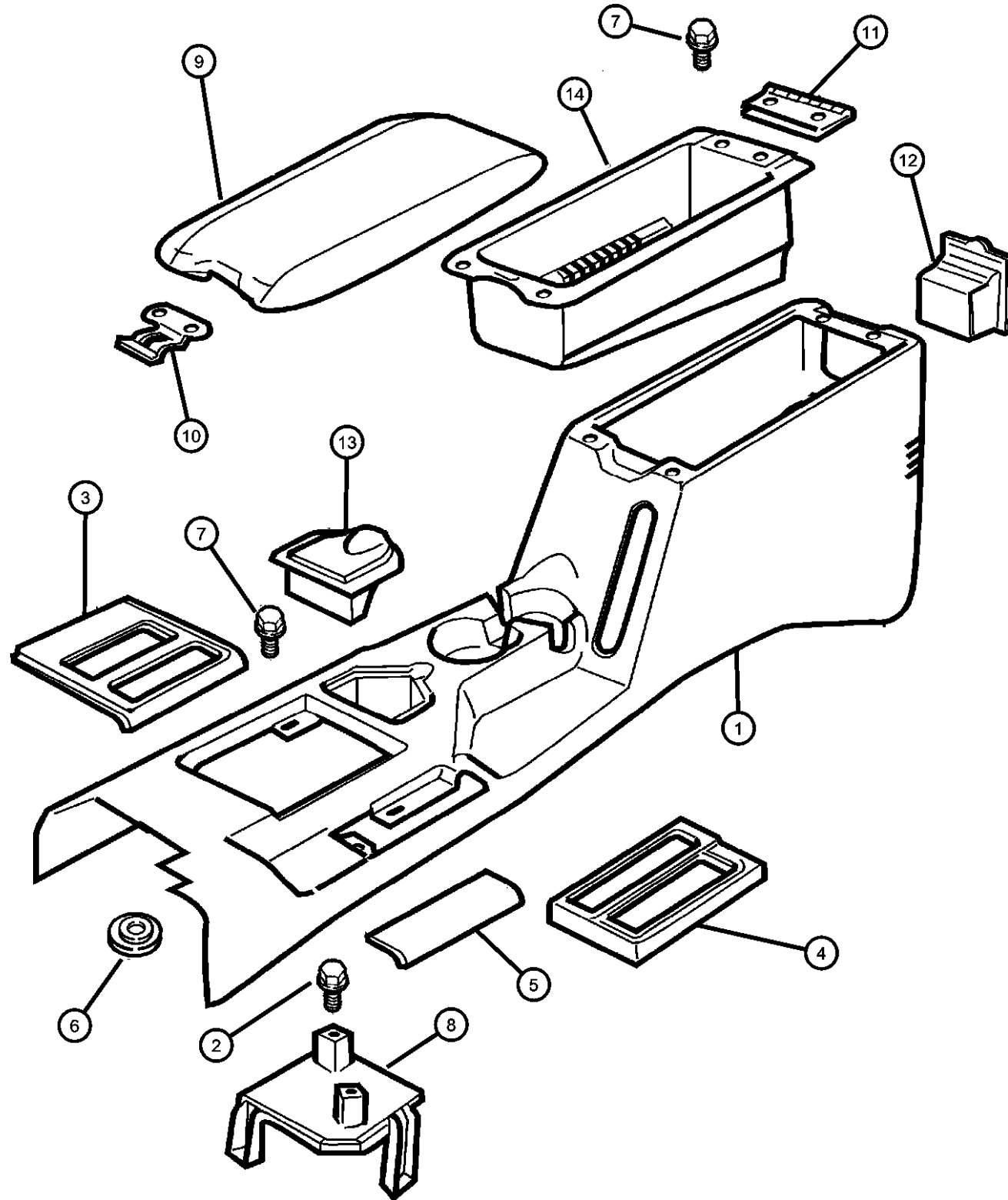
BODY
74 = 4 Dr (101.4WB)
72 = 2 Dr (101.4WB)

ENGINE
ENC = ENGINE - 2.5L 4 CYL TURBO DIESEL
EPE = ENGINE - 2.5L POWER TECH I-4 Cyl.
ERH = ENGINE - 4.0L POWER TECH I-6

TRANSMISSION
DDD = TRANSMISSION - 5-SPEED HD MANUAL
DDQ = TRANSMISSION - 5-SPEED MANUAL
DGD = TRANSMISSION - 3-SPD. AUTOMATIC,30RH
DGK = TRANSMISSION - 4-SPD. AUTOMATIC,42RE
DGS = TRANSMISSION-4SPD. AUTO,AISIN WARNER
DGT = TRANSMISSION - 4-SPD. AUTOMATIC,46RE
DGW = TRANSMISSION - 4-SPD. AUTOMATIC,44RE
DGX = TRANSMISSION - 4-SPEED AUTOMATIC
DBB = ALL MANUAL TRANSMISSIONS
DGO = ALL AUTOMATIC TRANSMISSIONS

AR = use ase required - = Non illustrated part

Floor Console
Figure 08A-420



ITEM	PART NUMBER	QTY	LINE	SERIES	BODY	ENGINE	TRANS	TRIM	DESCRIPTION
1	0QX101K5AA	1							CONSOLE, Base Tan/Agate
	0QX10LAZAA	1							Agate
2	00153185	1							SCREW, .164-18x.500
3	5EK03LAZAB	1	J, T						BEZEL, Console PRNDL (Agate) 4 Speed Automatic Transmission-Aisin Warner
	5EK07LAZAB	1	B, U						(Agate) 4 Speed Automatic Transmission-Aisin Warner
	5GC35LAZAB	1	J, T						(Agate) 3 Speed Automatic Transmission 30RH
	5GC36LAZAB	1	B, U						(Agate) 3 Speed Automatic Transmission 30RH
4	5EK13LAZAB	1	U						BEZEL, Transfer Case (Agate) w/242 Transfer Case-Select Trac
	5EK17LAZAB	1	U						(Agate) w/231 Transfer Case-Command Trac
	5EL86LAZAB	1	J						(Agate) w/242 Transfer Case-Select Trac
	5EL90LAZAB	1	J						w/231 Transfer Case-Command Trac (Agate)
5	5EU66LAZ	1	B, T						COVER, Transfer Case Lever Hole (Agate)
	5EU66RK5	1	B, T						(Tan/Agate)
6	04798118	1	J, U						WASHER
	06501988	4							
7	06032723	2							SCREW, Self Tapping, M4.2x1.69x19.05
8	55037038AC	1							BRACKET, Floor Console

CHEROKEE (XJ)

SERIES LINE
H = Sport T = JEEP - 2WD
L = SE B = JEEP - 2WD (RHD)
P = Classic J = JEEP - 4WD
S = Limited U = JEEP - 4WD (RHD)

BODY
74 = 4 Dr (101.4WB)
72 = 2 Dr (101.4WB)

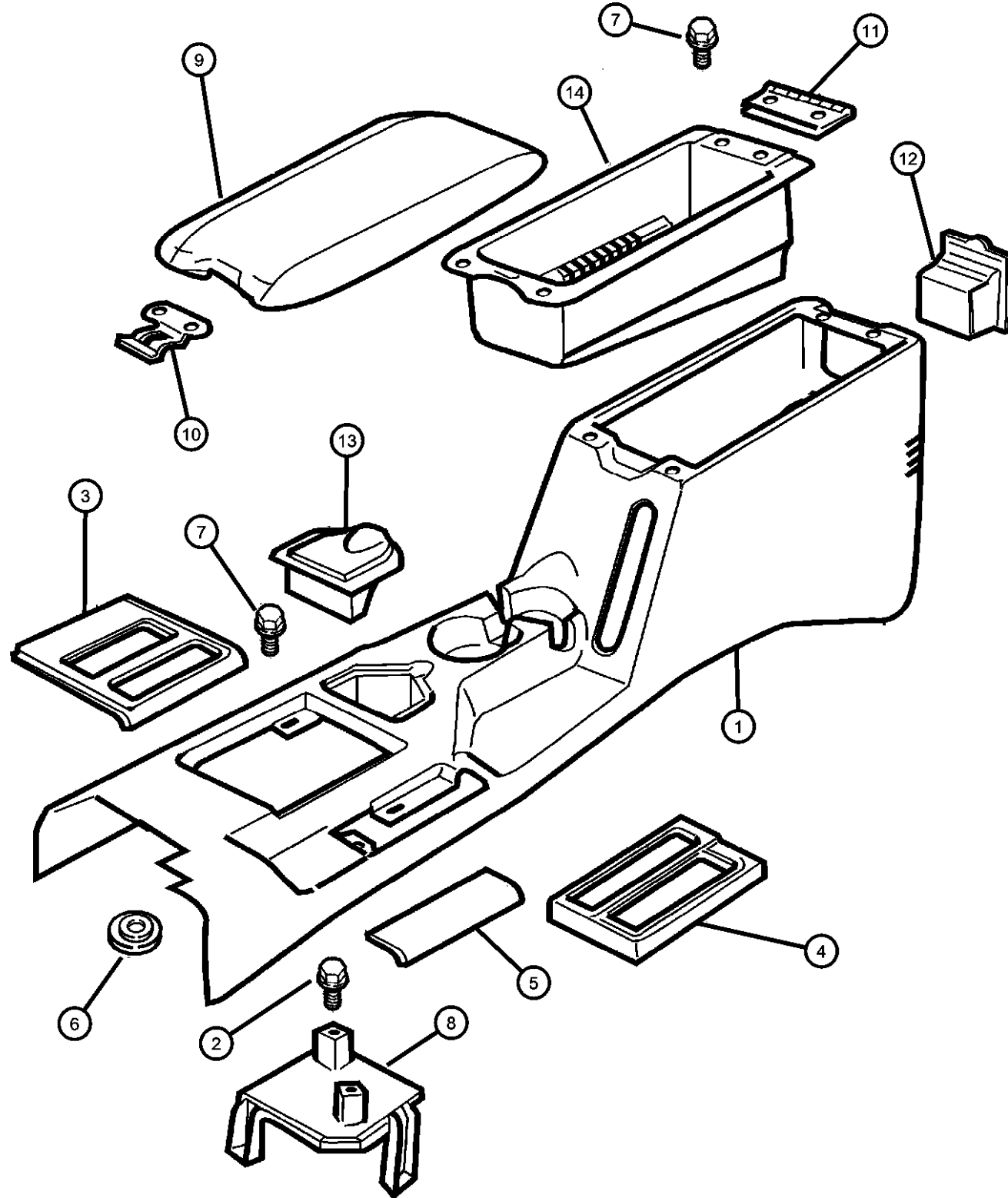
ENGINE
ENC = ENGINE - 2.5L 4 CYL
TURBO DIESEL
EPE = ENGINE - 2.5L POWER
TECH I-4 Cyl.
ERH = ENGINE - 4.0L
POWER TECH I-6

TRANSMISSION
DDD = TRANSMISSION - 5-SPEED
HD MANUAL
DDQ = TRANSMISSION - 5-SPEED
MANUAL
DGD = TRANSMISSION - 3-SPD.
AUTOMATIC,30RH
DGK = TRANSMISSION - 4-SPD.
AUTOMATIC,42RE
DGS = TRANSMISSION-4SPD.
AUTO,AISIN WARNER
DGT = TRANSMISSION - 4-SPD.
AUTOMATIC,46RE
DGW = TRANSMISSION - 4-SPD.
AUTOMATIC,44RE
DGX = TRANSMISSION - 4-SPEED
AUTOMATIC
DBB = ALL MANUAL
TRANSMISSIONS
DGO = ALL AUTOMATIC
TRANSMISSIONS

AR = use ase required - = Non illustrated part

2000 XJ

Floor Console
Figure 08A-420



ITEM	PART NUMBER	QTY	LINE	SERIES	BODY	ENGINE	TRANS	TRIM	DESCRIPTION
9	5EJ50LAZAD	1							LID, Floor Console Bin Agate
	5EJ50RK5AD	1							Tan/Agate
10	55037537AA	1							LATCH, Armrest Lid
11	55352505AB	1							HINGE, Floor Console Lid
12	5EK10LAZ	1							ASH RECEIVER, Floor Console, Agate (Rear Console)
13	5EB68LAZAB	1							ASH RECEIVER, Floor Console Agate (without Heated Seats) Front
	5GK66LAZAA	1							Agate (with Heated Seats) Front
14	55115523	1							BIN, Floor Console
-15	56010135AB	1							SWITCH, Heated Seat Right
	56010136AB	1							Left
-16	5GH07LAZAB	1							BEZEL, Floor Console Switch, Heated Seats (Agate)
-17	34201314	4			74				SCREW, Tapping Round Head, .164x18x1.232
-18	04524343	2							BUMPER, Glove Box Door
-19	55037315	4	J, T						CLIP
-20	06034833	2							CLIP, Push, .164-7.5
-21	55037550AA	1							ASH RECEIVER, Smokers Package, Ash Receiver Cup

CHEROKEE (XJ)

SERIES	LINE
H = Sport	T = JEEP - 2WD
L = SE	B = JEEP - 2WD (RHD)
P = Classic	J = JEEP - 4WD
S = Limited	U = JEEP - 4WD (RHD)

BODY
74 = 4 Dr (101.4WB)
72 = 2 Dr (101.4WB)

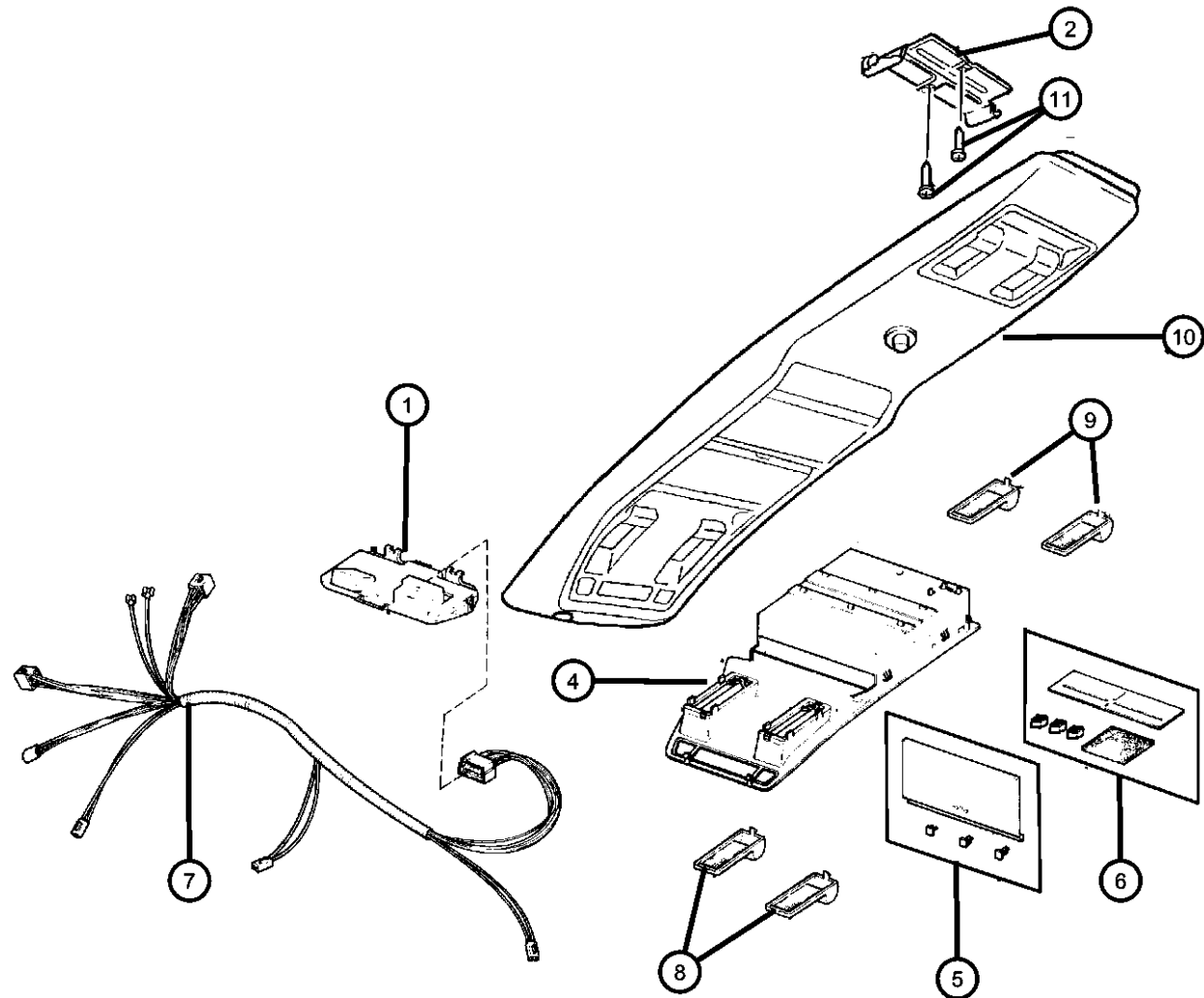
ENGINE
ENC = ENGINE - 2.5L 4 CYL TURBO DIESEL
EPE = ENGINE - 2.5L POWER TECH I-4 Cyl.
ERH = ENGINE - 4.0L POWER TECH I-6

TRANSMISSION
DDD = TRANSMISSION - 5-SPEED HD MANUAL
DDQ = TRANSMISSION - 5-SPEED MANUAL
DGD = TRANSMISSION - 3-SPD. AUTOMATIC,30RH
DGK = TRANSMISSION - 4-SPD. AUTOMATIC,42RE
DGS = TRANSMISSION-4SPD. AUTO,AISIN WARNER
DGT = TRANSMISSION - 4-SPD. AUTOMATIC,46RE
DGW = TRANSMISSION - 4-SPD. AUTOMATIC,44RE
DGX = TRANSMISSION - 4-SPEED AUTOMATIC
DBB = ALL MANUAL TRANSMISSIONS
DGO = ALL AUTOMATIC TRANSMISSIONS

AR = use ase required - = Non illustrated part

2000 XJ

Overhead Console
Figure 08A-450



ITEM	PART NUMBER	QTY	LINE	SERIES	BODY	ENGINE	TRANS	TRIM	DESCRIPTION
1	56009380AB	1							MODULE, Compass Temperature
2	55352518AB	1							BRACKET, Overhead Console
-3	55352518AB	1							SCREW, Pan Head Tapping, .164-32x.625, (NOT SERVICED)
4	04761436	1							HOUSING AND DOOR, Overhead Console
5	04761965	1							DOOR, Garage Door Opener
6	04798405	1							ADAPTER, Garage Door Button
7	04882780	1							WIRING, Overhead Console, Lamp Switches & Bulb Housing Serviced Only w/Wiring Harness
8	05268175	1							LENS, Reading Lamp
9									LENS, Reading Lamp
	05268177	1							Left Rear
	05268178	1							Right Rear
10									HOUSING, Overhead Console
	0QL651K5	1							[K5] Without Immobilizer
	0QL651W8	1							[AZ] Without Immobilizer
	0QL741K5	1							[K5] With Immobilizer
	0QL741W8	1							[AZ] With Immobilizer
11	34201197	2	B, U						RIVET, Blind, M3.17x10.00, Overhead Console Mounting

CHEROKEE (XJ)

SERIES	LINE	BODY	ENGINE	TRANSMISSION
H = Sport	T = JEEP - 2WD	74 = 4 Dr (101.4WB)	ENC = ENGINE - 2.5L 4 CYL TURBO DIESEL	DDD = TRANSMISSION - 5-SPEED HD MANUAL
L = SE	B = JEEP - 2WD (RHD)	72 = 2 Dr (101.4WB)	EPE = ENGINE - 2.5L POWER TECH I-4 Cyl.	DDQ = TRANSMISSION - 5-SPEED MANUAL
P = Classic	J = JEEP - 4WD		ERH = ENGINE - 4.0L POWER TECH I-6	DGD = TRANSMISSION - 3-SPD. AUTOMATIC,30RH
S = Limited	U = JEEP - 4WD (RHD)			DGK = TRANSMISSION - 4-SPD. AUTOMATIC,42RE
				DGS = TRANSMISSION-4SPD. AUTO,AISIN WARNER
				DGT = TRANSMISSION - 4-SPD. AUTOMATIC,46RE
				DGW = TRANSMISSION - 4-SPD. AUTOMATIC,44RE
				DGX = TRANSMISSION - 4-SPEED AUTOMATIC
				DBB = ALL MANUAL TRANSMISSIONS
				DGO = ALL AUTOMATIC TRANSMISSIONS

AR = use ase required - = Non illustrated part

2000 XJ

Group - 9

Engine Mounting

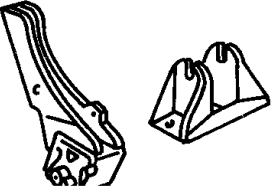
Group - 9 Engine Mounting

Illustration Title

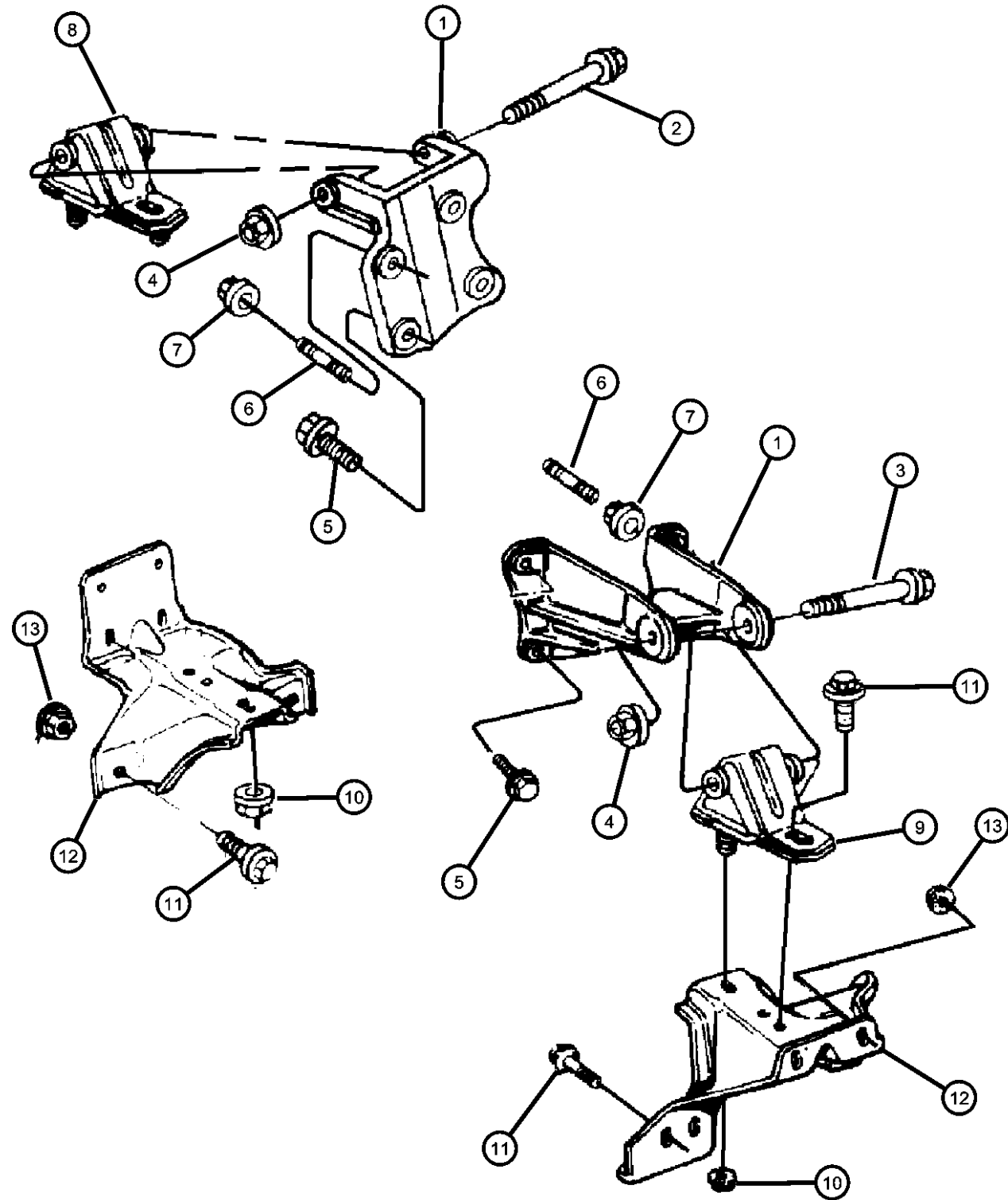
Group-Fig. No.

Engine Mounting

Engine Mounting, Front..... Fig. 9 - 110
 Engine Mounting, Rear..... Fig. 9 - 120
 Engine Mounting, Front..... Fig. 9 - 130
 Engine Mounting, Rear Fig. 9 - 140
 Engine Mounting, Front..... Fig. 9 - 150
 Engine Mounting, Rear Fig. 9 - 160

<p>009-100 Engine Mounting</p> 			
--	--	--	--

Engine Mounting, Front
Figure 9-110



ITEM	PART NUMBER	QTY	LINE	SERIES	BODY	ENGINE	TRANS	TRIM	DESCRIPTION
------	-------------	-----	------	--------	------	--------	-------	------	-------------

NOTE: EP0=All 2.5L Gas Engines, ERO= All 4.0L Gas Engines,
DGD= 3 Speed Automatic Transmission, DBB= Manual Transmissions

1	52017731	1	B, U			EP0	DBB		BRACKET, Engine Mount Right
	52018450AB	1	J, T			EP0			Right
	52058877AB	1	J, T			EP0			Left
	52060003	1	B, U			EP0	DBB		Left
2	06101742	1	B, U			EP0			BOLT, Square Neck, M12x1.75x130Right
3	34201959	1	B, U			EP0			BOLT, Hex Flange Head, M12-1.75x125Left
4	06502697	2							NUT, Hex Flange Lock, M12x1.75
5	06036176AA	5				EP0	DGD		SCREW, Hex Head, .375-16x1.125
		4				EP0	DBB		
6	06033883	3				EP0	DBB		STUD, .375-16x2.00"
		4				EP0	DGD		
7	00152474	4				EP0	DGD		NUT, Hex Flange Lock, .375-16
		3				EP0	DBB		
8	J3242728	1	B, U			EP0	DBB		INSULATOR, Engine MountRight
9	52007394	1	B, U			EP0	DBB		CUSHION, Engine SupportLeft
10	52007394	1							NUT, Hex Flange, M10x1.5, (NOT SERVICED)
11	06504511	2				EP0, ERO			SCREW AND WASHER, M10x1.5x40
12									BRACKET, Engine Mount

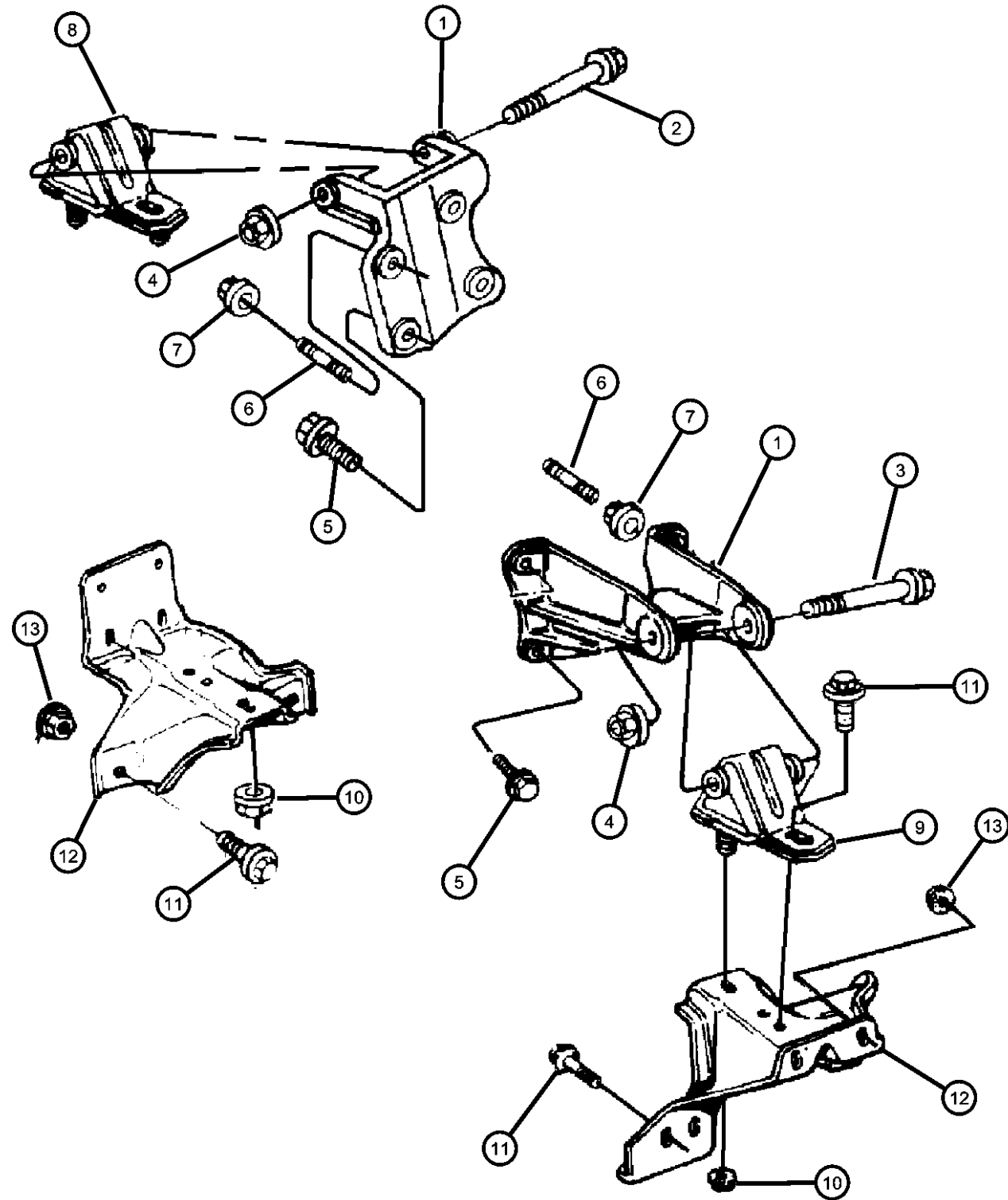
CHEROKEE (XJ)

SERIES	LINE	BODY	ENGINE	TRANSMISSION
H = Sport	T = JEEP - 2WD	74 = 4 Dr (101.4WB)	ENC = ENGINE - 2.5L 4 CYL TURBO DIESEL	DDD = TRANSMISSION - 5-SPEED HD MANUAL
L = SE	B = JEEP - 2WD (RHD)	72 = 2 Dr (101.4WB)	EPE = ENGINE - 2.5L POWER TECH I-4 Cyl.	DDQ = TRANSMISSION - 5-SPEED MANUAL
P = Classic	J = JEEP - 4WD		ERH = ENGINE - 4.0L POWER TECH I-6	DGD = TRANSMISSION - 3-SPD. AUTOMATIC,30RH DJK = TRANSMISSION - 4-SPD. AUTOMATIC,42RE DGS = TRANSMISSION-4SPD. AUTO,AISIN WARNER DGT = TRANSMISSION - 4-SPD. AUTOMATIC,46RE DGW = TRANSMISSION - 4-SPD. AUTOMATIC,44RE DGX = TRANSMISSION - 4-SPEED AUTOMATIC DBB = ALL MANUAL TRANSMISSIONS DGO = ALL AUTOMATIC TRANSMISSIONS
S = Limited	U = JEEP - 4WD (RHD)			

AR = use ase required - = Non illustrated part

2000 XJ

Engine Mounting, Front
Figure 9-110



ITEM	PART NUMBER	QTY	LINE	SERIES	BODY	ENGINE	TRANS	TRIM	DESCRIPTION
	52003005	1	B, U			EP0	DBB		Left
	52020219AB	1	J, T			EP0			Left
	52059010AB	1	J, T			EP0			Right
	52059030	1	B, U			EP0	DBB		Right
13	34201416	4				EP0			NUT, Hex Flange, M8x1.25

CHEROKEE (XJ)

SERIES	LINE
H = Sport	T = JEEP - 2WD
L = SE	B = JEEP - 2WD (RHD)
P = Classic	J = JEEP - 4WD
S = Limited	U = JEEP - 4WD (RHD)

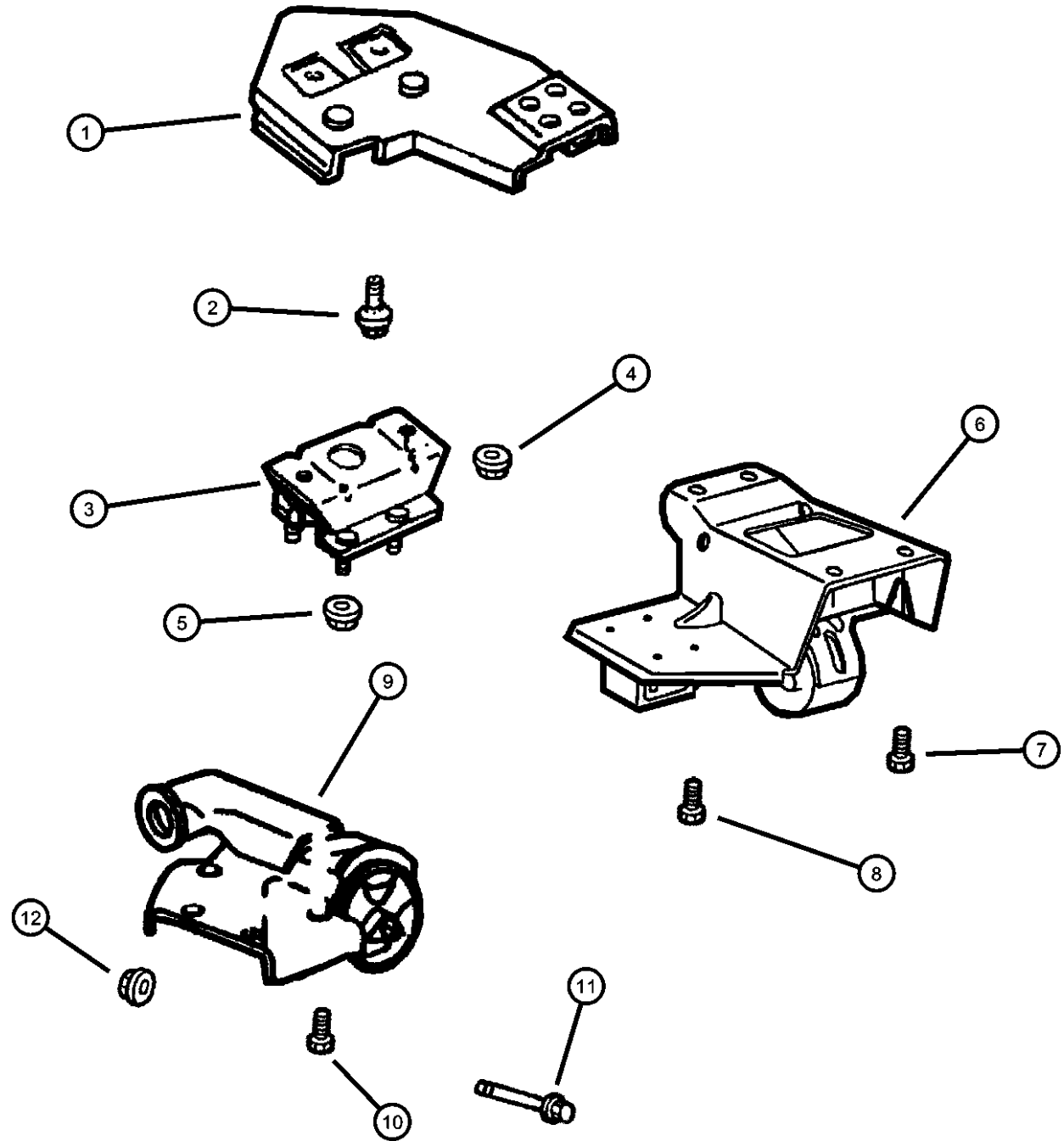
BODY
74 = 4 Dr (101.4WB)
72 = 2 Dr (101.4WB)

ENGINE
ENC = ENGINE - 2.5L 4 CYL TURBO DIESEL
EPE = ENGINE - 2.5L POWER TECH I-4 Cyl.
ERH = ENGINE - 4.0L POWER TECH I-6

TRANSMISSION
DDD = TRANSMISSION - 5-SPEED HD MANUAL
DDQ = TRANSMISSION - 5-SPEED MANUAL
DGD = TRANSMISSION - 3-SPD. AUTOMATIC,30RH
DGK = TRANSMISSION - 4-SPD. AUTOMATIC,42RE
DGS = TRANSMISSION-4SPD. AUTO,AISIN WARNER
DGT = TRANSMISSION - 4-SPD. AUTOMATIC,46RE
DGW = TRANSMISSION - 4-SPD. AUTOMATIC,44RE
DGX = TRANSMISSION - 4-SPEED AUTOMATIC
DBB = ALL MANUAL TRANSMISSIONS
DGO = ALL AUTOMATIC TRANSMISSIONS

AR = use ase required - = Non illustrated part

**Engine Mounting, Rear,
Figure 9-120**



ITEM	PART NUMBER	QTY	LINE	SERIES	BODY	ENGINE	TRANS	TRIM	DESCRIPTION
Note: EPO= All 2.5L Gas Engines, DGD= 3 Speed Automatic Transmissions, DBB= Manual Transmissions.									
1	52058885AB	1	B, U			EP0	DBB		BRACKET, Support Rear
2	52058885AB	1							BOLT, (NOT SERVICED)
3									INSULATOR, Engine Mount
	52001180	1	U			EP0	DBB		
	52007393	1	B			EP0	DBB		
4	52007393	1							NUT, Hex Flange, M10x1.5, (NOT SERVICED)
5	06101695	4							NUT, Hex Flange Lock, M8x1.25
6	52058880AB	1	T			EP0	DGD		BRACKET, Transmission Mount
7	06033358	2	J, T			EP0	DGD		SCREW AND WASHER, Hex Head Locking, .437-14x1.25
8	06028606	2	T			EP0	DGD		SCREW AND WASHER, Hex Head Lock, .312-18x1.00
9									BRACKET, Transmission Mount
	52059149AA	1	T			EP0	DBB		
	52059150AA	1	J			EP0	DBB		
10	52059150AA	1							SCREW, .437-14x1.12, (NOT SERVICED)
11									BOLT, Hex Flange Head, M12x1.75x110
	06502809	1	J, T			EP0	DGD		
		1	J, T			EP0	DBB		
12	06502697	1							NUT, Hex Flange Lock, M12x1.75

CHEROKEE (XJ)

SERIES	LINE
H = Sport	T = JEEP - 2WD
L = SE	B = JEEP - 2WD (RHD)
P = Classic	J = JEEP - 4WD
S = Limited	U = JEEP - 4WD (RHD)

BODY
74 = 4 Dr (101.4WB)
72 = 2 Dr (101.4WB)

ENGINE
ENC = ENGINE - 2.5L 4 CYL TURBO DIESEL
EPE = ENGINE - 2.5L POWER TECH I-4 Cyl.
ERH = ENGINE - 4.0L POWER TECH I-6

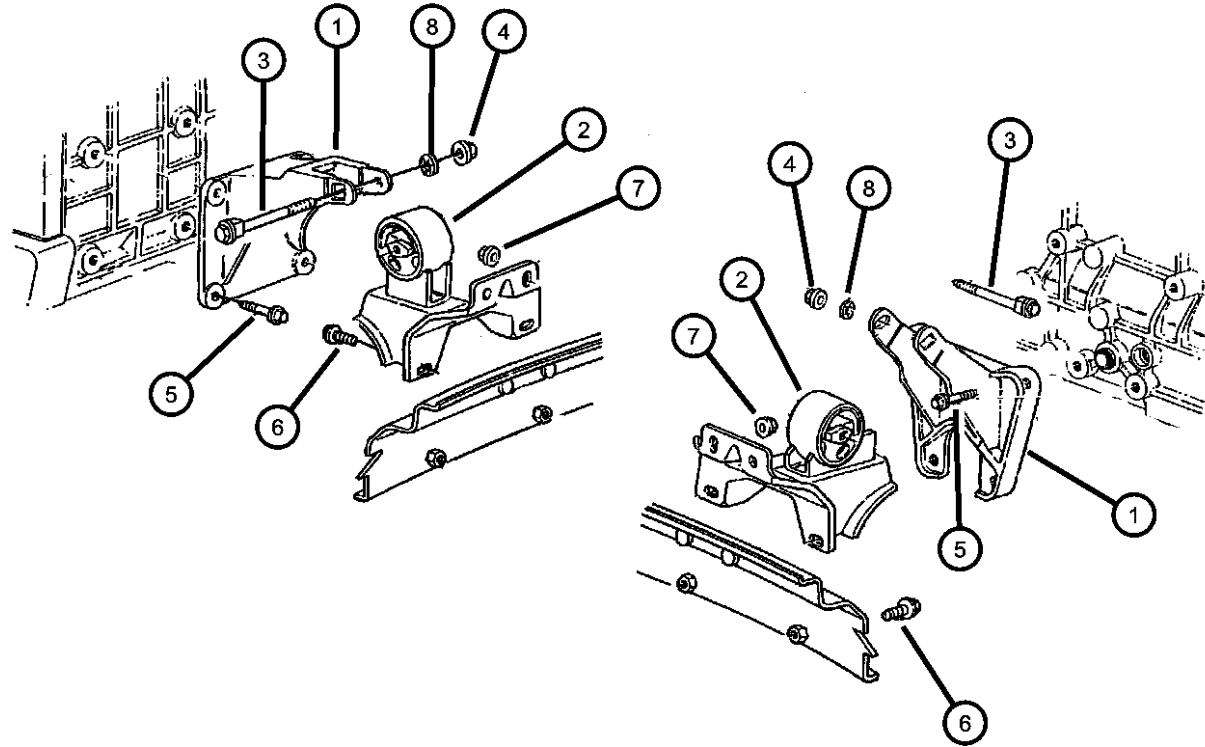
TRANSMISSION
DDD = TRANSMISSION - 5-SPEED HD MANUAL
DDQ = TRANSMISSION - 5-SPEED MANUAL
DGD = TRANSMISSION - 3-SPD. AUTOMATIC,30RH
DGK = TRANSMISSION - 4-SPD. AUTOMATIC,42RE
DGS = TRANSMISSION-4SPD. AUTO,AISIN WARNER
DGT = TRANSMISSION - 4-SPD. AUTOMATIC,46RE
DGW = TRANSMISSION - 4-SPD. AUTOMATIC,44RE
DGX = TRANSMISSION - 4-SPEED AUTOMATIC
DBB = ALL MANUAL TRANSMISSIONS
DGO = ALL AUTOMATIC TRANSMISSIONS

AR = use ase required - = Non illustrated part

2000 XJ

Engine Mounting, Front
Figure 9-130

ITEM	PART NUMBER	QTY	LINE	SERIES	BODY	ENGINE	TRANS	TRIM	DESCRIPTION
NOTE: EN0=All 2.5L Diesel Engines DDB= Manual Transmission									
1									BRACKET, Engine Mount
	52059102	1				EN0			Left
	52059114	1				EN0			Right
2									BRACKET, Engine Mount
	52059200AC	1				EN0			Right
	52059201AC	1				EN0			Left
3	06101742	2				EN0	DBB		BOLT, Square Neck, M12x1.75x130
4	06502697	2							NUT, Hex Flange Lock, M12x1.75
5	06101238	8				EN0			SCREW, Header Point, M10x1.50x25.00
6	06504511	4				EN0			SCREW AND WASHER, M10x1.5x40
7	34201416	4				EN0			NUT, Hex Flange, M8x1.25
8	34201416	4							NUT, M12, (NOT SERVICED)



CHEROKEE (XJ)

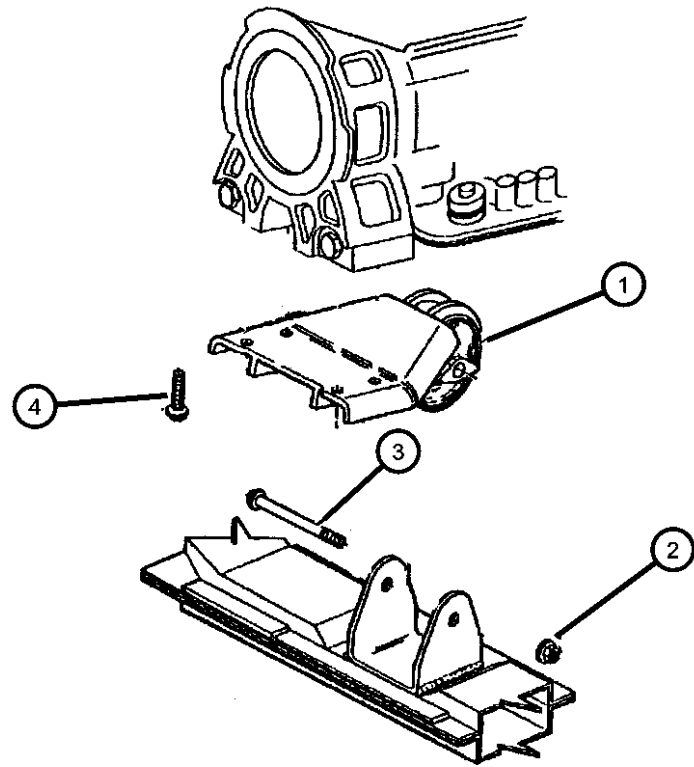
SERIES	LINE	BODY	ENGINE	TRANSMISSION
H = Sport	T = JEEP - 2WD	74 = 4 Dr (101.4WB)	ENC = ENGINE - 2.5L 4 CYL TURBO DIESEL	DDD = TRANSMISSION - 5-SPEED HD MANUAL
L = SE	B = JEEP - 2WD (RHD)	72 = 2 Dr (101.4WB)	EPE = ENGINE - 2.5L POWER TECH I-4 Cyl.	DDQ = TRANSMISSION - 5-SPEED MANUAL
P = Classic	J = JEEP - 4WD		ERH = ENGINE - 4.0L POWER TECH I-6	DGD = TRANSMISSION - 3-SPD. AUTOMATIC,30RH
S = Limited	U = JEEP - 4WD (RHD)			DGK = TRANSMISSION - 4-SPD. AUTOMATIC,42RE
				DGS = TRANSMISSION-4SPD. AUTO,AISIN WARNER
				DGT = TRANSMISSION - 4-SPD. AUTOMATIC,46RE
				DGW = TRANSMISSION - 4-SPD. AUTOMATIC,44RE
				DGX = TRANSMISSION - 4-SPEED AUTOMATIC
				DBB = ALL MANUAL TRANSMISSIONS
				DGO = ALL AUTOMATIC TRANSMISSIONS

AR = use ase required - = Non illustrated part

2000 XJ

Engine Mounting, Rear
Figure 9-140

ITEM	PART NUMBER	QTY	LINE	SERIES	BODY	ENGINE	TRANS	TRIM	DESCRIPTION
NOTE: ENC=2.5L Diesel Engine DDB= Manual Transmission									
1	52058539	1				ENC	DBB		ISOLATOR, Transmission Mount
2	06502697	2							NUT, Hex Flange Lock, M12x1.75
3	34202606	1				ENC	DBB		BOLT, Hex Head
4	34202606	1							BOLT AND CONED WASHER, Hex Head, .437-14x1.12, (NOT SERVICED)



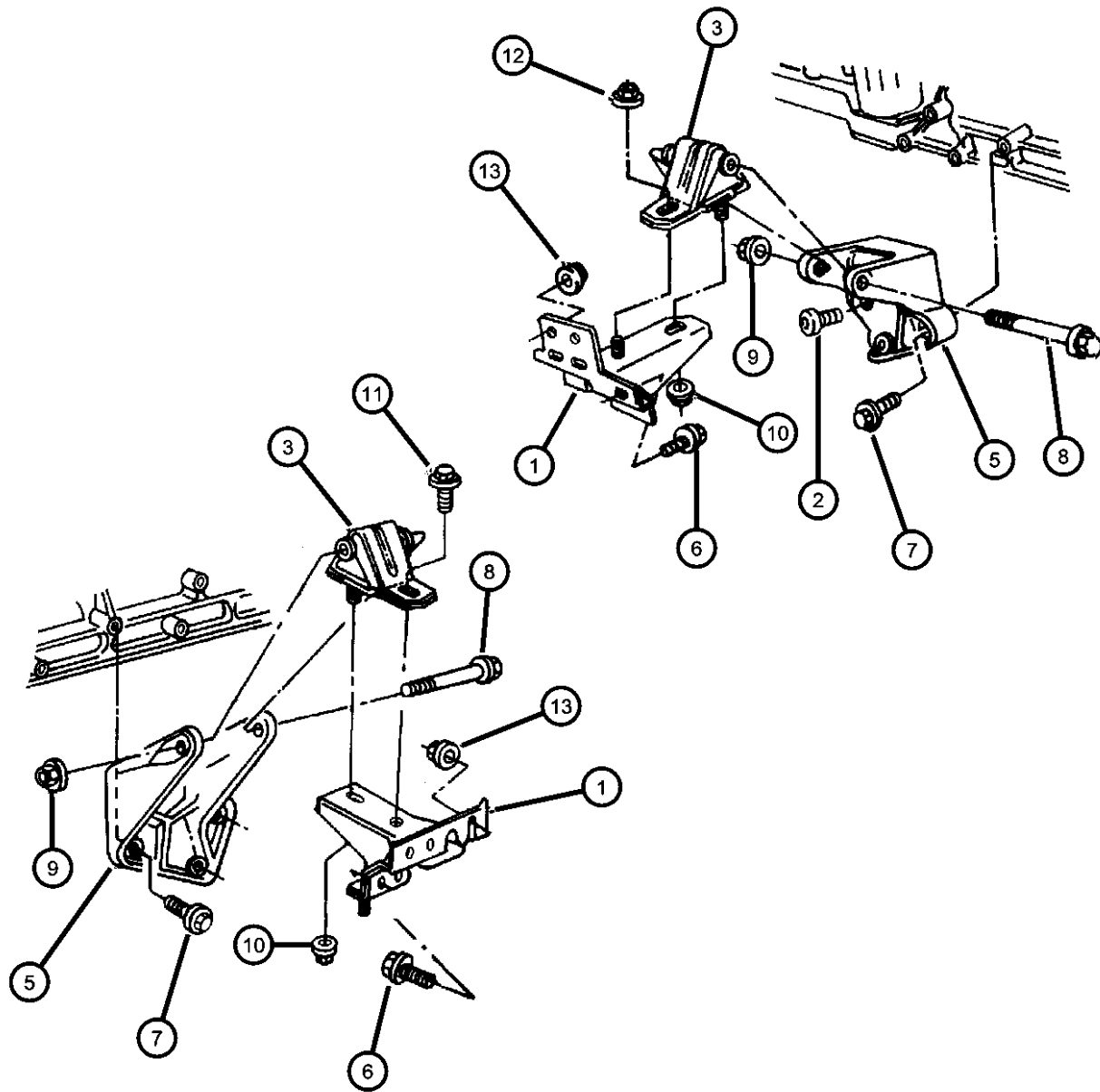
CHEROKEE (XJ)

SERIES	LINE	BODY	ENGINE	TRANSMISSION
H = Sport	T = JEEP - 2WD	74 = 4 Dr (101.4WB)	ENC = ENGINE - 2.5L 4 CYL TURBO DIESEL	DDD = TRANSMISSION - 5-SPEED HD MANUAL
L = SE	B = JEEP - 2WD (RHD)	72 = 2 Dr (101.4WB)	EPE = ENGINE - 2.5L POWER TECH I-4 Cyl.	DDQ = TRANSMISSION - 5-SPEED MANUAL
P = Classic	J = JEEP - 4WD		ERH = ENGINE - 4.0L POWER TECH I-6	DGD = TRANSMISSION - 3-SPD. AUTOMATIC,30RH
S = Limited	U = JEEP - 4WD (RHD)			DGK = TRANSMISSION - 4-SPD. AUTOMATIC,42RE
				DGS = TRANSMISSION-4SPD. AUTO,AISIN WARNER
				DGT = TRANSMISSION - 4-SPD. AUTOMATIC,46RE
				DGW = TRANSMISSION - 4-SPD. AUTOMATIC,44RE
				DGX = TRANSMISSION - 4-SPEED AUTOMATIC
				DBB = ALL MANUAL TRANSMISSIONS
				DGO = ALL AUTOMATIC TRANSMISSIONS

AR = use ase required - = Non illustrated part

2000 XJ

Engine Mounting, Front
Figure 9-150



ITEM	PART NUMBER	QTY	LINE	SERIES	BODY	ENGINE	TRANS	TRIM	DESCRIPTION
NOTE: ER0=All 4.0L Engines, EPO= All 2.5L Gas Engines									
1									BRACKET, Engine Mount
	52002603AC	1				ER0			Left
	52019010AC	1	J, T			ER0			Right
	52058424AC	1	B, U			ER0			Right
2	06036176AA	1				ER0			SCREW, Hex Head, .375-16x1.125
3									CUSHION, Engine Support
	52019201AC	2	J, T			ER0			
		1	B, U			ER0			
-4	52020018	1	B, U			ER0			INSULATOR, Engine MountLeft
5									BRACKET, Engine Mount
	52002607	1				ER0			Left
	52020270	1				ER0			Right
6	06504511	2				EPO, ER0			SCREW AND WASHER, M10x1.5x40
7	06036176AA	5				ER0			SCREW, Hex Head, .375-16x1.125
8	06505713AA	2				ER0			BOLT
9	06502697	2							NUT, Hex Flange Lock, M12x1.75
10	06502697	2							NUT, M10x1.50, (NOT SERVICED)
11	06504511	2				EPO, ER0			SCREW AND WASHER, M10x1.5x40
12	06502135	1	J, T			ER0			NUT, Hex Flange, M10x1.5
13	34201416	3				ER0			NUT, Hex Flange, M8x1.25

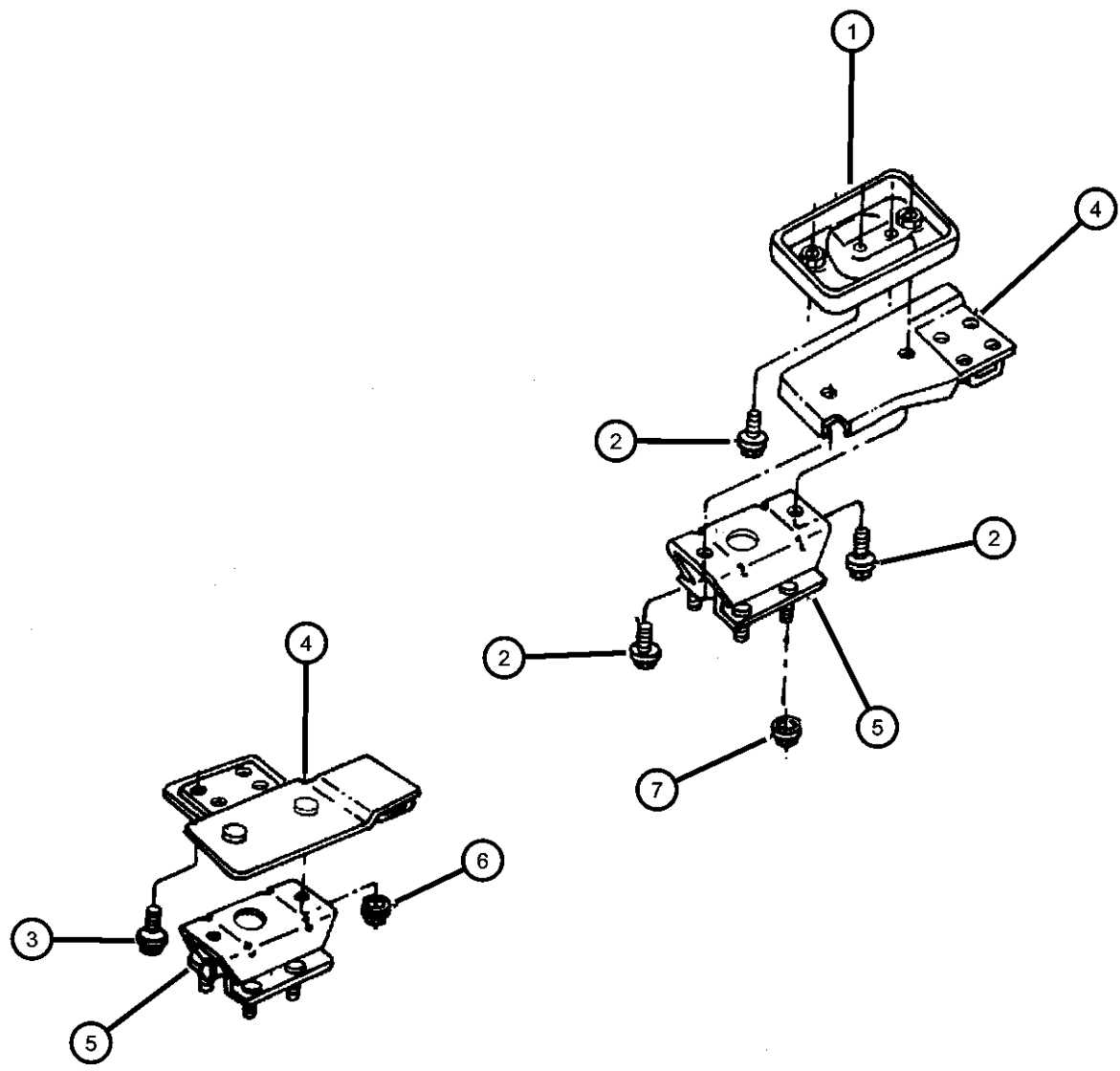
CHEROKEE (XJ)

SERIES	LINE	BODY	ENGINE	TRANSMISSION
H = Sport	T = JEEP - 2WD	74 = 4 Dr (101.4WB)	ENC = ENGINE - 2.5L 4 CYL TURBO DIESEL	DDD = TRANSMISSION - 5-SPEED HD MANUAL
L = SE	B = JEEP - 2WD (RHD)	72 = 2 Dr (101.4WB)	EPE = ENGINE - 2.5L POWER TECH I-4 Cyl.	DDQ = TRANSMISSION - 5-SPEED MANUAL
P = Classic	J = JEEP - 4WD		ERH = ENGINE - 4.0L POWER TECH I-6	DGD = TRANSMISSION - 3-SPD. AUTOMATIC,30RH
S = Limited	U = JEEP - 4WD (RHD)			DGK = TRANSMISSION - 4-SPD. AUTOMATIC,42RE
				DGS = TRANSMISSION-4SPD. AUTO,AISIN WARNER
				DGT = TRANSMISSION - 4-SPD. AUTOMATIC,46RE
				DGW = TRANSMISSION - 4-SPD. AUTOMATIC,44RE
				DGX = TRANSMISSION - 4-SPEED AUTOMATIC
				DBB = ALL MANUAL TRANSMISSIONS
				DGO = ALL AUTOMATIC TRANSMISSIONS

AR = use ase required - = Non illustrated part

Engine Mounting, Rear
Figure 9-160

ITEM	PART NUMBER	QTY	LINE	SERIES	BODY	ENGINE	TRANS	TRIM	DESCRIPTION
NOTE: ER0=All 4.0L Engines, DBB= Manual Transmissions, DG0=All Automatic Transmissions									
1	52002337	1	B, T			ER0	DG0		BRACKET, Engine Mount
2	52017887	2	B, T			ER0	DG0		BOLT, Hex Flange Head, M12x1.75x25
3	52017887	2							BOLT, Hex Head, .437-14x1.25, (NOT SERVICED)
4									BRACKET, Transmission Mount
	52058882AB	1				ER0	DG0		
	52058883AB	1				ER0	DBB		
5	52059347AA	1				ER0			INSULATOR, Engine Mount
6	06502697	2							NUT, Hex Flange Lock, M12x1.75
7	06101695	4				ER0			NUT, Hex Flange Lock, M8x1.25



CHEROKEE (XJ)

SERIES	LINE	BODY	ENGINE	TRANSMISSION
H = Sport	T = JEEP - 2WD	74 = 4 Dr (101.4WB)	ENC = ENGINE - 2.5L 4 CYL TURBO DIESEL	DDD = TRANSMISSION - 5-SPEED HD MANUAL
L = SE	B = JEEP - 2WD (RHD)	72 = 2 Dr (101.4WB)	EPE = ENGINE - 2.5L POWER TECH I-4 Cyl.	DDQ = TRANSMISSION - 5-SPEED MANUAL
P = Classic	J = JEEP - 4WD		ERH = ENGINE - 4.0L POWER TECH I-6	DGD = TRANSMISSION - 3-SPD. AUTOMATIC,30RH
S = Limited	U = JEEP - 4WD (RHD)			DGK = TRANSMISSION - 4-SPD. AUTOMATIC,42RE
				DGS = TRANSMISSION-4SPD. AUTO,AISIN WARNER
				DGT = TRANSMISSION - 4-SPD. AUTOMATIC,46RE
				DGW = TRANSMISSION - 4-SPD. AUTOMATIC,44RE
				DGX = TRANSMISSION - 4-SPEED AUTOMATIC
				DBB = ALL MANUAL TRANSMISSIONS
				DGO = ALL AUTOMATIC TRANSMISSIONS

AR = use ase required - = Non illustrated part

Group - 2.5L4

Engine 2.5L Four Cylinder

Group - 2.5L4 Engine 2.5L Four Cylinder

Illustration Title

Group-Fig. No.

Cylinder Head

Cylinder Head Fig. 2.5L4 - 210

Cylinder Block

Cylinder Block Fig. 2.5L4 - 310

Crankshaft, Piston and Drive Plate

Crankshaft, Piston and Torque Converter Fig. 2.5L4 - 410

Camshafts & Valves

Camshaft and Valves Fig. 2.5L4 - 510

Timing Belt and Cover

Timing Cover Fig. 2.5L4 - 610

Engine Oiling

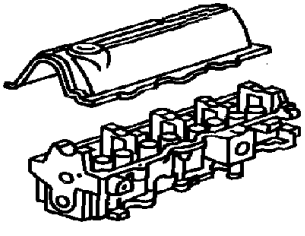
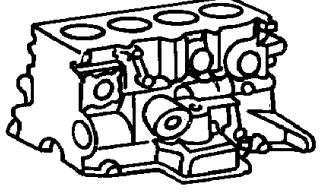
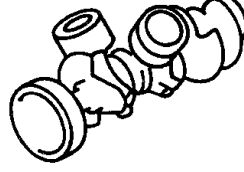
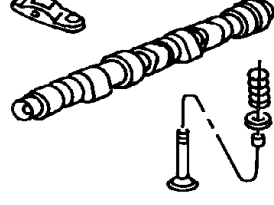
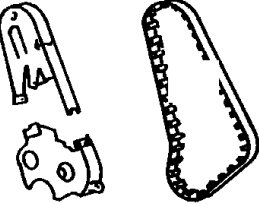
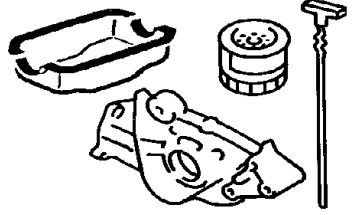
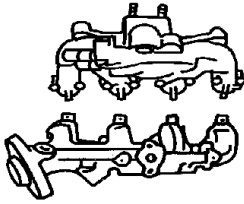
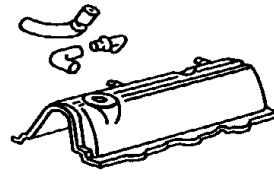
Engine Oiling Fig. 2.5L4 - 710

Manifolds

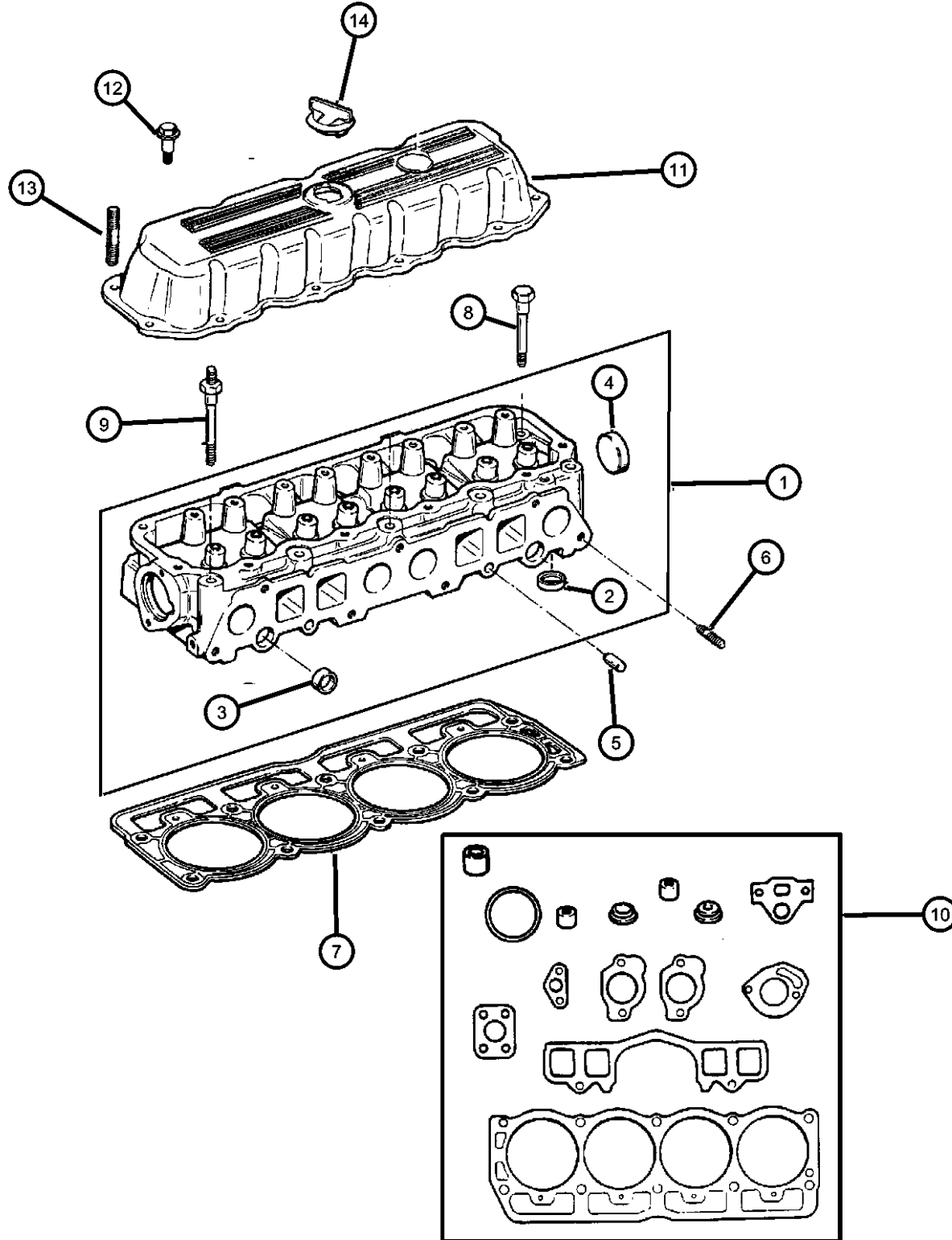
Manifold, Intake and Exhaust Fig. 2.5L4 - 810

Crankcase Ventilation

Crankcase Ventilation Fig. 2.5L4 - 910

<p>2.5L4-200 Cylinder Head</p> 	<p>2.5L4-300 Cylinder Block</p> 	<p>2.5L4-400 Crankshaft, Piston and Drive Plate</p> 	<p>2.5L4-500 Camshafts & Valves</p> 
<p>2.5L4-600 Timing Belt and Cover</p> 	<p>2.5L4-700 Engine Oiling</p> 	<p>2.5L4-800 Manifolds</p> 	<p>2.5L4-900 Crankcase Ventilation</p> 

**Cylinder Head
Figure 2.5L4-210**



ITEM	PART NUMBER	QTY	LINE	SERIES	BODY	ENGINE	TRANS	TRIM	DESCRIPTION
------	-------------	-----	------	--------	------	--------	-------	------	-------------

NOTE: EP0=All 2.5L Gas Engines, ERO= All 4.0L Gas Engines

1	33007115AB	1				EP0			HEAD, Cylinder
2	33007142	4				EP0			SEAT, Exhaust Valve
3	J3172319	4				EP0			PLUG, Cylinder Block Oil Hole
4	J3105394	1				EP0			PLUG, Cylinder Block Oil Hole
5	J3172318	2				EP0, ERO			DOWEL, Cylinder Head To Intake
6	06036193AA	2				EP0, ERO			STUD, .375-16/.375-24x1.75
7	53009549AB	1				EP0			GASKET, Cylinder Head
8	06035514	5				EP0			BOLT, Cylinder Head
9	06035516	4				EP0			STUD, Double Ended, .50-13/.437-14x6.00
10	04798992AC	1				EP0			GASKET PACKAGE, Engine
11	53010428AB	1				EP0			COVER, Cylinder Head
12	06035566	1				EP0			BOLT, Hex Flange Head, .250-20x1.00
13	06035968AA	10				EP0			STUD, .250-20x2.00
14	53020555	1				EP0			CAP, Oil Filler

CHEROKEE (XJ)

SERIES	LINE
H = Sport	T = JEEP - 2WD
L = SE	B = JEEP - 2WD (RHD)
P = Classic	J = JEEP - 4WD
S = Limited	U = JEEP - 4WD (RHD)

BODY
74 = 4 Dr (101.4WB)
72 = 2 Dr (101.4WB)

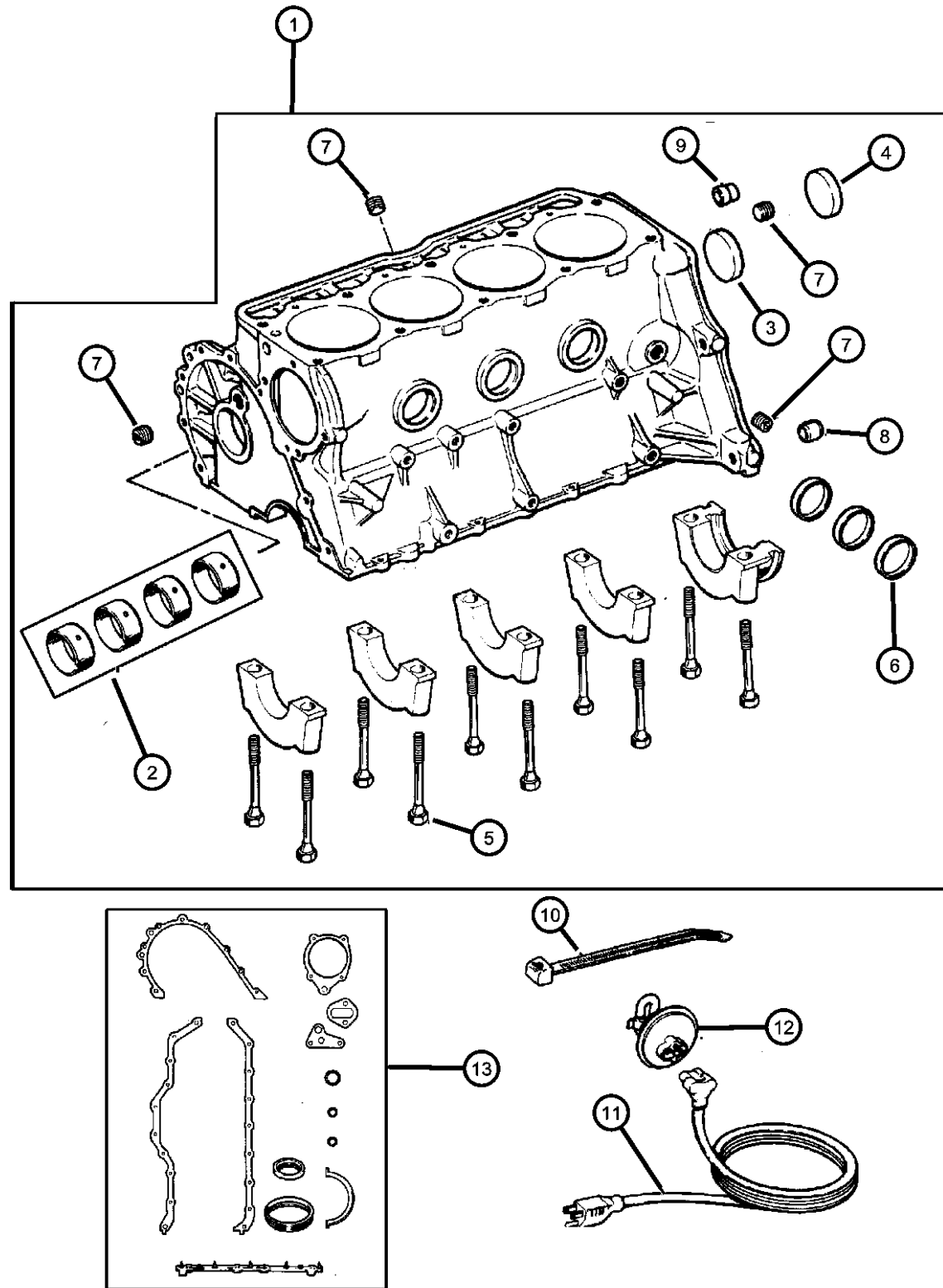
ENGINE
ENC = ENGINE - 2.5L 4 CYL TURBO DIESEL
EPE = ENGINE - 2.5L POWER TECH I-4 Cyl.
ERH = ENGINE - 4.0L POWER TECH I-6

TRANSMISSION
DDD = TRANSMISSION - 5-SPEED HD MANUAL
DDQ = TRANSMISSION - 5-SPEED MANUAL
DGD = TRANSMISSION - 3-SPD. AUTOMATIC,30RH
DGK = TRANSMISSION - 4-SPD. AUTOMATIC,42RE
DGS = TRANSMISSION-4SPD. AUTO,AISIN WARNER
DGT = TRANSMISSION - 4-SPD. AUTOMATIC,46RE
DGW = TRANSMISSION - 4-SPD. AUTOMATIC,44RE
DGX = TRANSMISSION - 4-SPEED AUTOMATIC
DBB = ALL MANUAL TRANSMISSIONS
DGO = ALL AUTOMATIC TRANSMISSIONS

AR = use ase required - = Non illustrated part

2000 XJ

Cylinder Block
Figure 2.5L4-310



ITEM	PART NUMBER	QTY	LINE	SERIES	BODY	ENGINE	TRANS	TRIM	DESCRIPTION
NOTE: EP0=All 2.5L Gas Engines									
1	04856744	1				EP0			BLOCK, Short
2	04636985AB	1				EP0			BEARING PACKAGE, Camshaft, Standard Size
3	J3172313	1				EP0			PLUG, Camshaft
4	53020465	1				EP0			PLUG, Cylinder Block
5	J4006948	10				EP0			BOLT, Hex Head, .50-13x2.97
6	J4006580	3				EP0			PLUG, Cylinder Block Oil Hole
7	06034166	3				EP0			PLUG, Cylinder Block Oil Hole
8	J4006953	1				EP0			DOWEL, Block To Cylinder Head
9	J3241332	1				EP0			DOWEL, Clutch Housing To Block
10	J3693058	1			U				STRAP, Retaining
		1			J				
11	53000878	1				EP0			CORD, Engine Block Heater
12	82300749	1				EP0			HEATER KIT, Engine Block
13	04713023AC	1				EP0			GASKET PACKAGE, Engine

CHEROKEE (XJ)

SERIES	LINE
H = Sport	T = JEEP - 2WD
L = SE	B = JEEP - 2WD (RHD)
P = Classic	J = JEEP - 4WD
S = Limited	U = JEEP - 4WD (RHD)

BODY
74 = 4 Dr (101.4WB)
72 = 2 Dr (101.4WB)

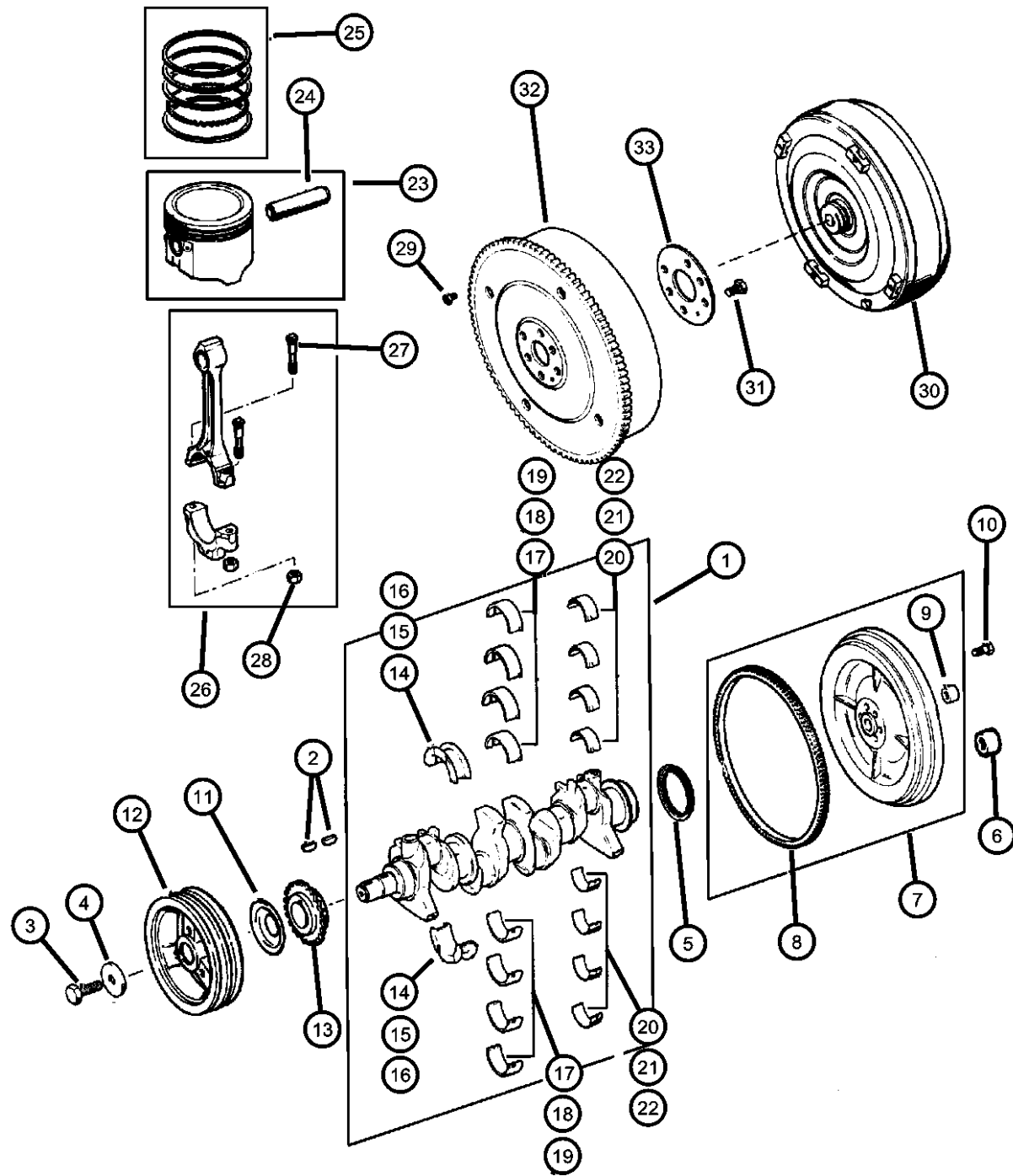
ENGINE
ENC = ENGINE - 2.5L 4 CYL TURBO DIESEL
EPE = ENGINE - 2.5L POWER TECH I-4 Cyl.
ERH = ENGINE - 4.0L POWER TECH I-6

TRANSMISSION
DDD = TRANSMISSION - 5-SPEED HD MANUAL
DDQ = TRANSMISSION - 5-SPEED MANUAL
DGD = TRANSMISSION - 3-SPD. AUTOMATIC,30RH
DGK = TRANSMISSION - 4-SPD. AUTOMATIC,42RE
DGS = TRANSMISSION-4SPD. AUTO,AISIN WARNER
DGT = TRANSMISSION - 4-SPD. AUTOMATIC,46RE
DGW = TRANSMISSION - 4-SPD. AUTOMATIC,44RE
DGX = TRANSMISSION - 4-SPEED AUTOMATIC
DBB = ALL MANUAL TRANSMISSIONS
DGO = ALL AUTOMATIC TRANSMISSIONS

AR = use ase required - = Non illustrated part

2000 XJ

Crankshaft, Piston and Torque Converter
Figure 2.5L4-410



ITEM	PART NUMBER	QTY	LINE	SERIES	BODY	ENGINE	TRANS	TRIM	DESCRIPTION
------	-------------	-----	------	--------	------	--------	-------	------	-------------

NOTE: EP0=All 2.5L Gas Engines, ERO= All 4.0L Gas Engines, DBB=All Manual Transmissions
DGO= All Automatic Transmissions, DGD= 3 Speed Automatic Transmissions

1	04713051AB	1				EP0			CRANKSHAFT
2	06034749	1				EP0, ERO			KEY, Crankshaft Sprocket
3	00182776	1				EP0, ERO			BOLT
4	J3230155	1				EP0, ERO			WASHER, Plain
5	33004143	1				EP0			SEAL, Rear Main Crankshaft
6	52117830	1				EP0	DGO		ADAPTER, Torque Converter
7	53020578	1				EP0	DBB		FLYWHEEL
8	J3241718	1				EP0	DBB		GEAR, Ring
9	J3250005	1				EP0	DBB		BEARING, Pilot
10	J4007123	6				EP0	DBB		BOLT, Flywheel
11	J3173076	1				EP0, ERO			SLINGER, Oil
12	33002879	1				EP0			DAMPER, Crankshaft
13	33004020	1				EP0			GEAR, Crankshaft
14	83507084	1				EP0, ERO			BEARING PACKAGE, Crankshaft Thrust, Standard Size
15	83507086	AR				EP0, ERO			BEARING PACKAGE, Crankshaft Thrust, .001" Undersize
16	83507090	AR				EP0, ERO			BEARING PACKAGE, Crankshaft Thrust, .010" Undersize
17	83507079	4				EP0			BEARING PACKAGE, Crankshaft, Standard
18	83507080	AR				EP0, ERO			BEARING PACKAGE, Crankshaft, .001 Undersize
19	83507083	AR				EP0, ERO			BEARING PACKAGE, Crankshaft, .010 Undersize
20	83500300	8				EP0			BEARING KIT, Connecting Rod, Standard

CHEROKEE (XJ)

SERIES LINE
H = Sport T = JEEP - 2WD
L = SE B = JEEP - 2WD (RHD)
P = Classic J = JEEP - 4WD
S = Limited U = JEEP - 4WD (RHD)

BODY
74 = 4 Dr (101.4WB)
72 = 2 Dr (101.4WB)

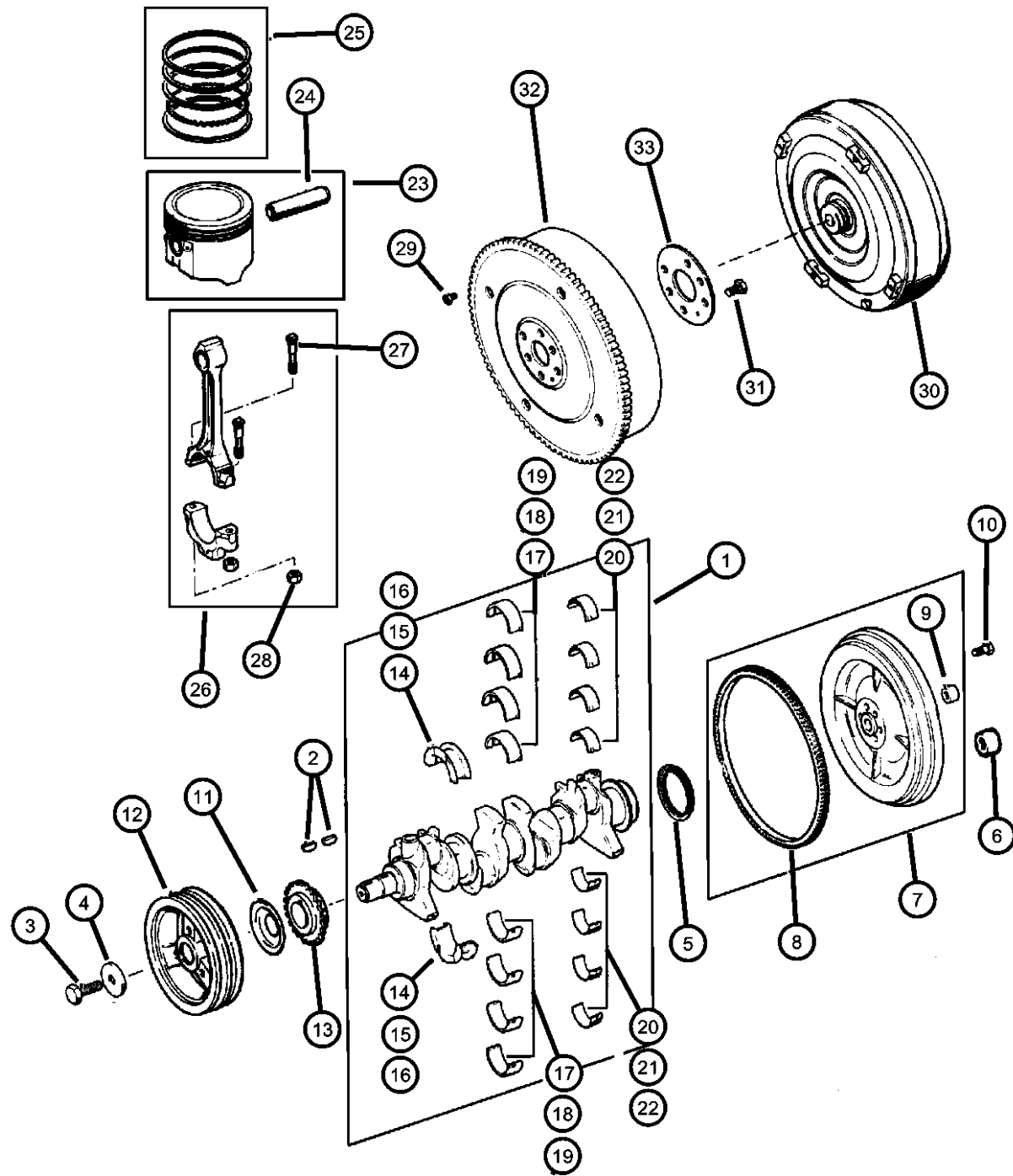
ENGINE
ENC = ENGINE - 2.5L 4 CYL TURBO DIESEL
EPE = ENGINE - 2.5L POWER TECH I-4 Cyl.
ERH = ENGINE - 4.0L POWER TECH I-6

TRANSMISSION
DDD = TRANSMISSION - 5-SPEED HD MANUAL
DDQ = TRANSMISSION - 5-SPEED MANUAL
DGD = TRANSMISSION - 3-SPD. AUTOMATIC,30RH
DGK = TRANSMISSION - 4-SPD. AUTOMATIC,42RE
DGS = TRANSMISSION-4SPD. AUTO,AISIN WARNER
DGT = TRANSMISSION - 4-SPD. AUTOMATIC,46RE
DGW = TRANSMISSION - 4-SPD. AUTOMATIC,44RE
DGX = TRANSMISSION - 4-SPEED AUTOMATIC
DBB = ALL MANUAL TRANSMISSIONS
DGO = ALL AUTOMATIC TRANSMISSIONS

AR = use ase required - = Non illustrated part

2000 XJ

**Crankshaft, Piston and Torque Converter
Figure 2.5L4-410**



ITEM	PART NUMBER	QTY	LINE	SERIES	BODY	ENGINE	TRANS	TRIM	DESCRIPTION
21	83501397AB	AR				EP0, ERO			BEARING KIT, Connecting Rod, .001 Undersize
22	83500301	AR				EP0, ERO			BEARING KIT, Connecting Rod, .010 Undersize
23									PISTON PIN AND ROD
	04798329	4				EP0			B Size, 3.8742
	04798330	4				EP0			C Size, 3.8746
	04798331	4				EP0			D Size, 3.8750
	04798332	4				EP0			E Size, 3.8754
	04798333	4				EP0			F Size, 3.8758
24	04798333	4							PIN, Piston, Serviced in Piston Assembly, (NOT SERVICED),
25	04798324	1				EP0			RING PACKAGE, Piston, Standard Size Complete Engine
26	04798324	1							ROD, Connecting, Serviced in Piston Assembly, (NOT SERVICED)
27	53020123	8				EP0			BOLT, Connecting Rod
28	J4006385	8				EP0			NUT, Hex Flange, .3437-24
29	06501099	4				EP0	DGD		BOLT, Hex Head, M10x1.50 x 13.20
30	04736388AB R4736388AB	1				EP0	DGD		CONVERTER, Torque Mopar Remanufactured Part
31	06034780	6				EP0	DG0		BOLT, Hex Head, .437-24x1.20
32	52104139	1				EP0	DG0		PLATE, Torque Converter Drive
33	52117830	1				EP0	DG0		ADAPTER, Torque Converter

CHEROKEE (XJ)

SERIES LINE
H = Sport T = JEEP - 2WD
L = SE B = JEEP - 2WD (RHD)
P = Classic J = JEEP - 4WD
S = Limited U = JEEP - 4WD (RHD)

BODY
74 = 4 Dr (101.4WB)
72 = 2 Dr (101.4WB)

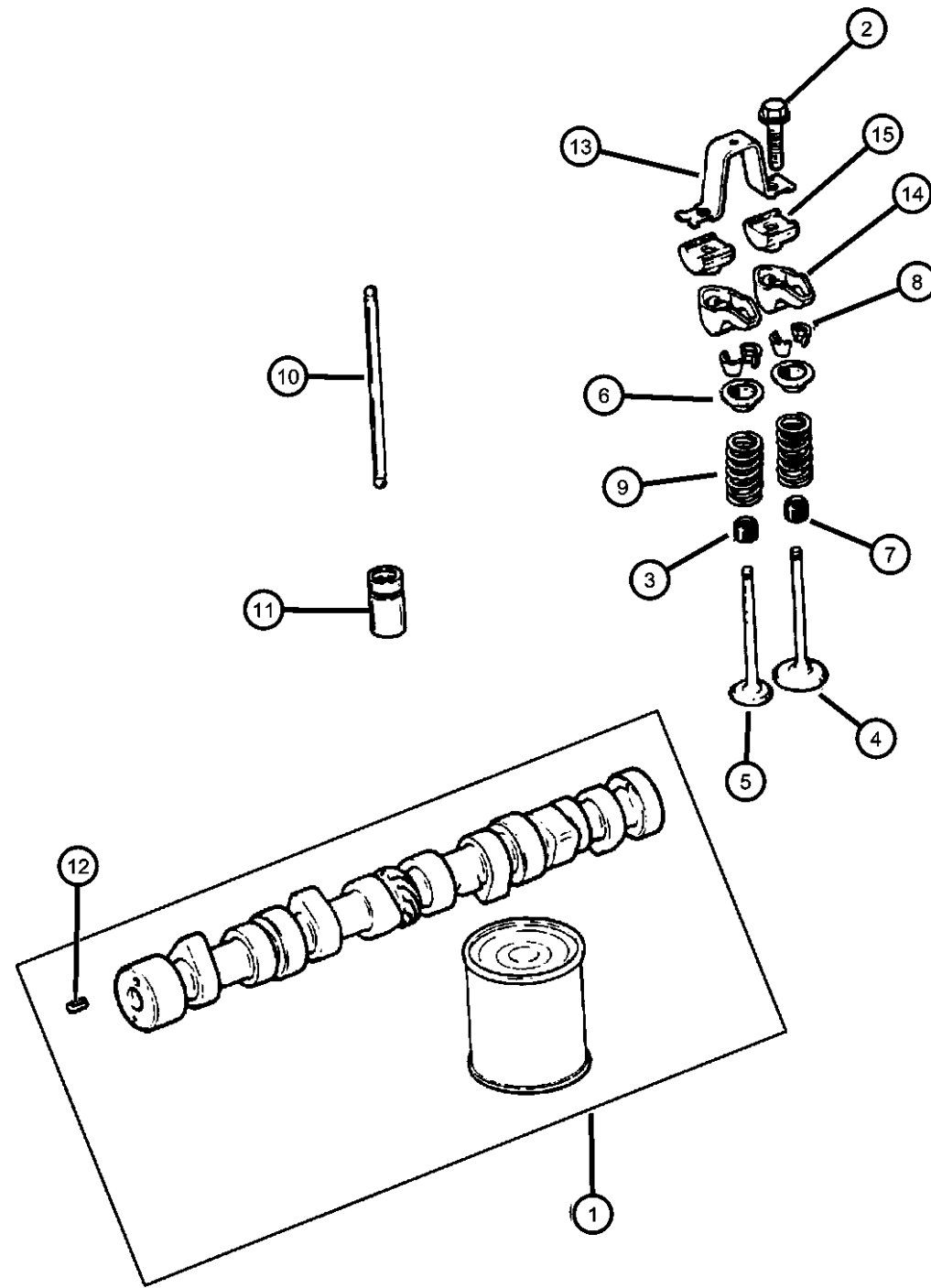
ENGINE
ENC = ENGINE - 2.5L 4 CYL TURBO DIESEL
EPE = ENGINE - 2.5L POWER TECH I-4 Cyl.
ERH = ENGINE - 4.0L POWER TECH I-6

TRANSMISSION
DDD = TRANSMISSION - 5-SPEED HD MANUAL
DDQ = TRANSMISSION - 5-SPEED MANUAL
DGD = TRANSMISSION - 3-SPD. AUTOMATIC,30RH
DGK = TRANSMISSION - 4-SPD. AUTOMATIC,42RE
DGS = TRANSMISSION-4SPD. AUTO,AISIN WARNER
DGT = TRANSMISSION - 4-SPD. AUTOMATIC,46RE
DGW = TRANSMISSION - 4-SPD. AUTOMATIC,44RE
DGX = TRANSMISSION - 4-SPEED AUTOMATIC
DBB = ALL MANUAL TRANSMISSIONS
DGO = ALL AUTOMATIC TRANSMISSIONS

AR = use ase required - = Non illustrated part

2000 XJ

Camshaft and Valves
Figure 2.5L4-510



ITEM	PART NUMBER	QTY	LINE	SERIES	BODY	ENGINE	TRANS	TRIM	DESCRIPTION
NOTE: EP0=All 2.5L Gas Engines									
1	53020497	1				EP0			CAMSHAFT, Engine
2	J9425708	8				EP0			BOLT, Hex Flange Head, .312-18x1.25
3	53009887	4				EP0			SEAL, Valve Guide, Standard
4	53010512AA	6				ER0			VALVE, Intake, Standard
5	53010513AA	4				EP0			VALVE, Exhaust, Standard
6	53010514AA	8				EP0			RETAINER, Valve Spring
7	53009886	4				EP0			SEAL, Valve Guide
8	53010515AA	16				EP0			LOCK, Valve Spring Retainer
9	53010388	8				EP0			SPRING, Valve
10	J3241709	8				EP0			PUSH ROD, FRONT SUSPENSION
11	04740269	8				EP0			TAPPET, Valve
12	J0456384	1				EP0			DOWEL, Camshaft Sprocket
13	J3236513	4				EP0			BRIDGE, Rocker Arm
14	J3242393	8				EP0			ROCKER ARM, Valve
15	J3235090	8				EP0			PIVOT, Rocker Arm

CHEROKEE (XJ)

SERIES	LINE
H = Sport	T = JEEP - 2WD
L = SE	B = JEEP - 2WD (RHD)
P = Classic	J = JEEP - 4WD
S = Limited	U = JEEP - 4WD (RHD)

BODY
74 = 4 Dr (101.4WB)
72 = 2 Dr (101.4WB)

ENGINE
ENC = ENGINE - 2.5L 4 CYL TURBO DIESEL
EPE = ENGINE - 2.5L POWER TECH I-4 Cyl.
ERH = ENGINE - 4.0L POWER TECH I-6

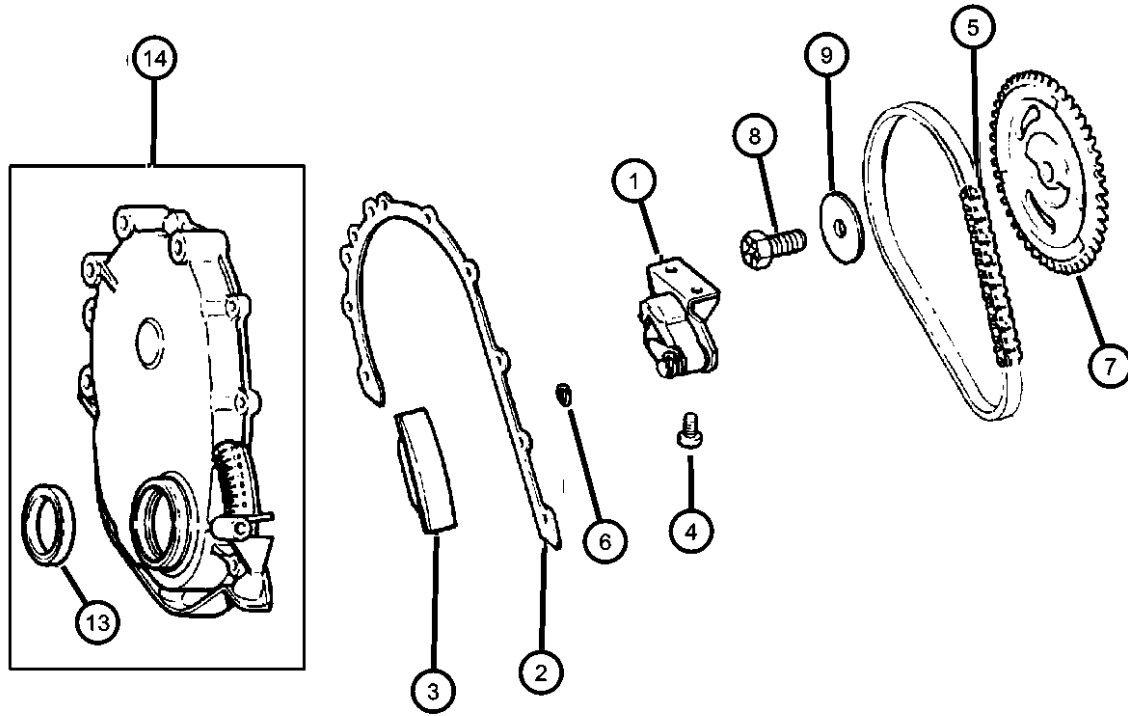
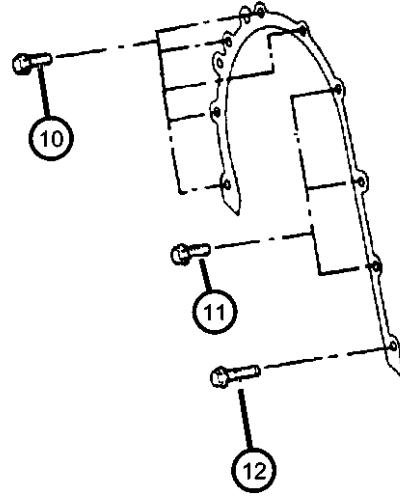
TRANSMISSION
DDD = TRANSMISSION - 5-SPEED HD MANUAL
DDQ = TRANSMISSION - 5-SPEED MANUAL
DGD = TRANSMISSION - 3-SPD. AUTOMATIC,30RH
DGK = TRANSMISSION - 4-SPD. AUTOMATIC,42RE
DGS = TRANSMISSION-4SPD. AUTO,AISIN WARNER
DGT = TRANSMISSION - 4-SPD. AUTOMATIC,46RE
DGW = TRANSMISSION - 4-SPD. AUTOMATIC,44RE
DGX = TRANSMISSION - 4-SPEED AUTOMATIC
DBB = ALL MANUAL TRANSMISSIONS
DGO = ALL AUTOMATIC TRANSMISSIONS

AR = use ase required - = Non illustrated part

2000 XJ

Timing Cover
Figure 2.5L4-610

ITEM	PART NUMBER	QTY	LINE	SERIES	BODY	ENGINE	TRANS	TRIM	DESCRIPTION
NOTE: EP0=All 2.5L Gas Engines, ERO= All 4.0L Gas Engines									
1	33003421	1				EP0			TENSIONER, Belt
2	53020487	1				EP0, ERO			GASKET, Front Cover
3	33003446	1				EP0, ERO			SNUBBER, Timing Chain
4	J4006708	2				EP0			SCREW, Pan Head, .312-18x.56
5	J3242300	1				EP0			CHAIN, Timing
6	J3242300	1							CLIP, Serviced in Tensioner Assembly, (NOT SERVICED)
7	J3242280	1				EP0			GEAR, Camshaft
8	J3243156	1				EP0			BOLT, Hex Flange Head, .50-20x1.38
9	J3173284	1				EP0			WASHER, Flat, .206 Diameter
10	06035893	5				EP0, ERO			BOLT, Hex
11	06035894	2				EP0			SCREW
12	06035895	1				EP0, ERO			SCREW
13	33004681	1				EP0, ERO			SEAL, Front Main Crankshaft
14	53020222	1				EP0, ERO			COVER, Timing Belt



CHEROKEE (XJ)

SERIES	LINE
H = Sport	T = JEEP - 2WD
L = SE	B = JEEP - 2WD (RHD)
P = Classic	J = JEEP - 4WD
S = Limited	U = JEEP - 4WD (RHD)

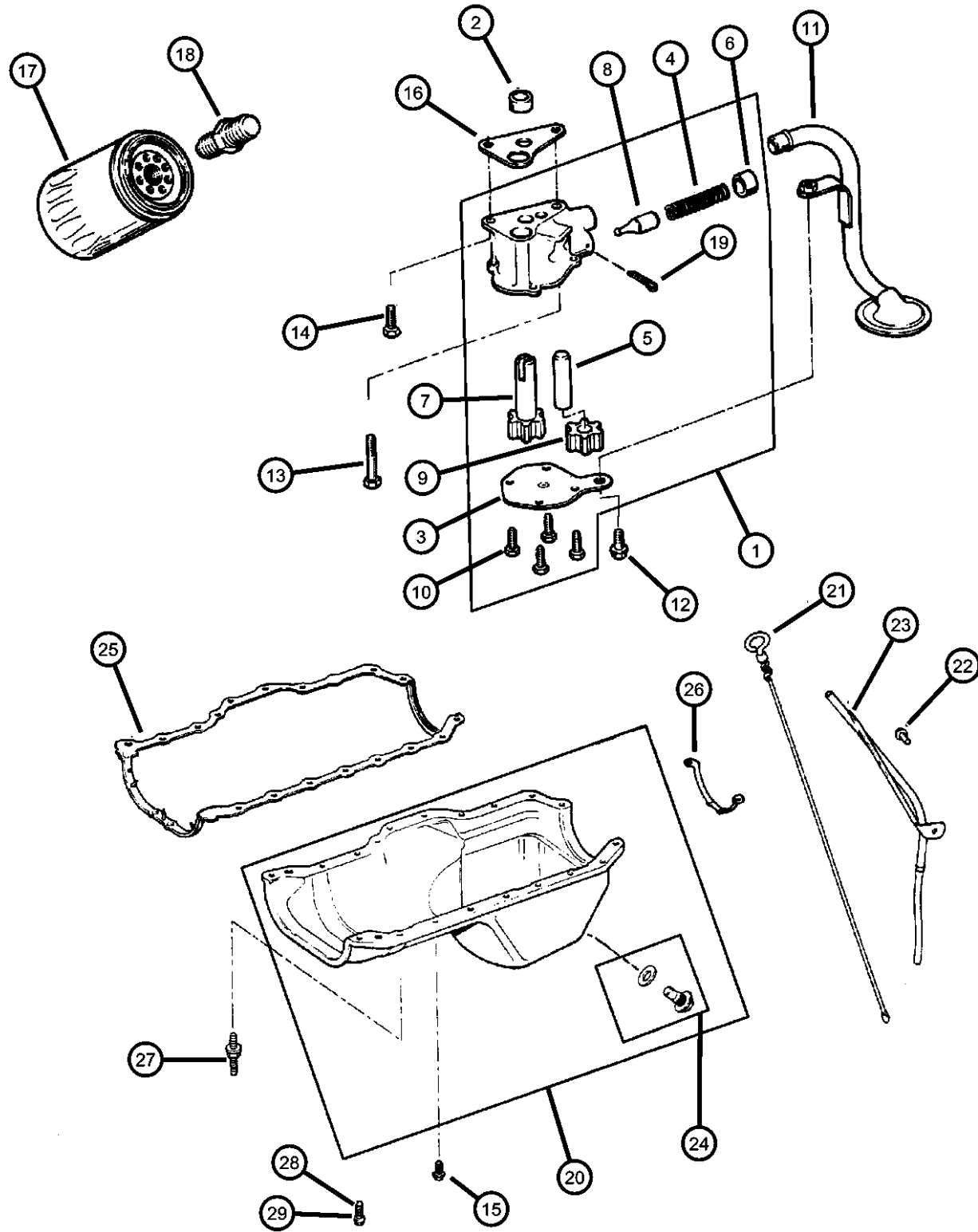
BODY
74 = 4 Dr (101.4WB)
72 = 2 Dr (101.4WB)

ENGINE
ENC = ENGINE - 2.5L 4 CYL TURBO DIESEL
EPE = ENGINE - 2.5L POWER TECH I-4 Cyl.
ERH = ENGINE - 4.0L POWER TECH I-6

TRANSMISSION
DDD = TRANSMISSION - 5-SPEED HD MANUAL
DDQ = TRANSMISSION - 5-SPEED MANUAL
DGD = TRANSMISSION - 3-SPD. AUTOMATIC,30RH
DGK = TRANSMISSION - 4-SPD. AUTOMATIC,42RE
DGS = TRANSMISSION-4SPD. AUTO,AISIN WARNER
DGT = TRANSMISSION - 4-SPD. AUTOMATIC,46RE
DGW = TRANSMISSION - 4-SPD. AUTOMATIC,44RE
DGX = TRANSMISSION - 4-SPEED AUTOMATIC
DBB = ALL MANUAL TRANSMISSIONS
DGO = ALL AUTOMATIC TRANSMISSIONS

AR = use ase required - = Non illustrated part

Engine Oiling
Figure 2.5L4-710



ITEM	PART NUMBER	QTY	LINE	SERIES	BODY	ENGINE	TRANS	TRIM	DESCRIPTION
------	-------------	-----	------	--------	------	--------	-------	------	-------------

NOTE: EPO= All 2.5L Gas Engines, ERO= All 4.0L Gas Engines

1	J3241399	1				EP0			PUMP, Engine Oil
2	J4005149	1				EP0, ERO			DOWEL, Oil Pump
3	J3241733	1				EP0			COVER, Engine Oil Pump
4	J3239668	1				EP0			SPRING, Oil Pressure Relief Valve
5	J3171956	1				EP0			SHAFT, Oil Pump
6	J3171958	1				EP0			RETAINER, Oil Release Valve
7	J3172334	1				EP0			GEAR, Oil Pump
8	J3188661	1				EP0			PLUNGER, Oil Pressure Relief Valve
9	J3196843	1				EP0			GEAR, Oil Pump Driven
10	J9416852	4				EP0			SCREW, Hex Flange Head, .25-20x.50
11	53020564	1				EP0			TUBE, Oil Pump Inlet
12	J9419683	1				EP0			BOLT, Hex Flange Head, .312-18x.625
13	00154593	1				EP0, ERO			SCREW, Hex Head Coned, .312-18x2.625
14	06022235	1				EP0, ERO			BOLT AND WASHER, Hex Head, .312-18x1.00
15	06034732	13				EP0			SCREW AND WASHER, Hex Head, .25-20x.545
16	J3172332	1				EP0, ERO			GASKET, Oil Pump
17	05281090	1				EP0, ERO			FILTER, Engine Oil
	0FE00292								Canadian Aftermarket Part
	05281090BA								BULK PACK (12)
	77060018								Performance Mobil 1, 15W - 50 Tri-Synthetic Engine Oil- Recommended Fill for 6.1L & 8.3L

CHEROKEE (XJ)

SERIES	LINE
H = Sport	T = JEEP - 2WD
L = SE	B = JEEP - 2WD (RHD)
P = Classic	J = JEEP - 4WD
S = Limited	U = JEEP - 4WD (RHD)

BODY
74 = 4 Dr (101.4WB)
72 = 2 Dr (101.4WB)

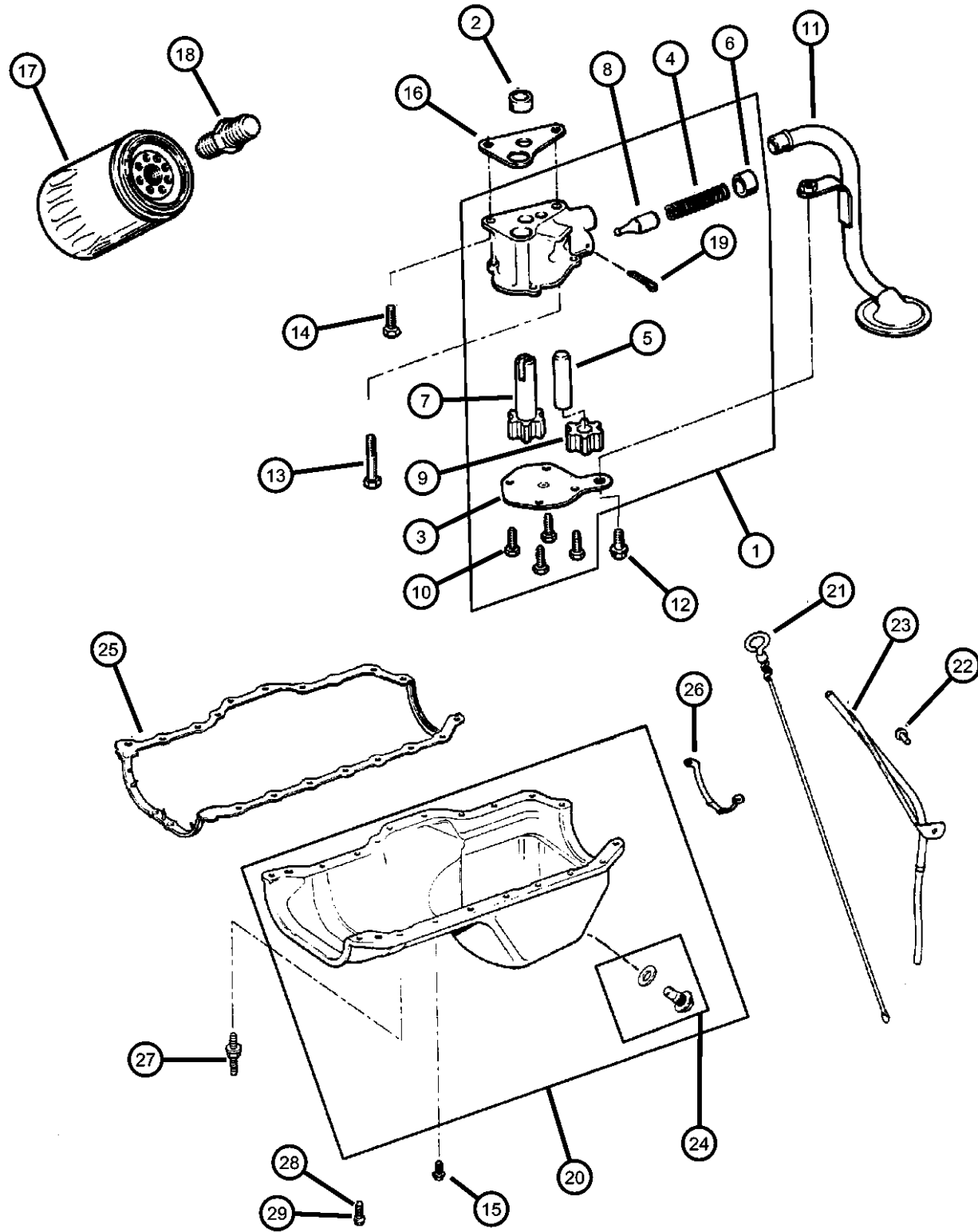
ENGINE
ENC = ENGINE - 2.5L 4 CYL TURBO DIESEL
EPE = ENGINE - 2.5L POWER TECH I-4 Cyl.
ERH = ENGINE - 4.0L POWER TECH I-6

TRANSMISSION
DDD = TRANSMISSION - 5-SPEED HD MANUAL
DDQ = TRANSMISSION - 5-SPEED MANUAL
DGD = TRANSMISSION - 3-SPD. AUTOMATIC,30RH
DGK = TRANSMISSION - 4-SPD. AUTOMATIC,42RE
DGS = TRANSMISSION-4SPD. AUTO,AISIN WARNER
DGT = TRANSMISSION - 4-SPD. AUTOMATIC,46RE
DGW = TRANSMISSION - 4-SPD. AUTOMATIC,44RE
DGX = TRANSMISSION - 4-SPEED AUTOMATIC
DBB = ALL MANUAL TRANSMISSIONS
DGO = ALL AUTOMATIC TRANSMISSIONS

AR = use ase required - = Non illustrated part

2000 XJ

Engine Oiling
Figure 2.5L4-710



ITEM	PART NUMBER	QTY	LINE	SERIES	BODY	ENGINE	TRANS	TRIM	DESCRIPTION
	P5007323								Performance Mobil 1, 5W - 30 Tri-Synthetic Engine Oil, Quart
18	53007563	1				EP0			CONNECTOR, Oil Filter
19	J0271448	1				EP0			PIN, Roll, 5/32" x 1.00"
20	53020560	1				EP0			PAN, Engine Oil
21	53010444AB	1				EP0			INDICATOR, Engine Oil Level
22	06035664	1				EP0, ERO			STUD, .312-18x1.560
23	53010343	1				EP0			TUBE, Oil Filler
24	06035417	1				EP0			PLUG, Oil Drain
25	53007567	1				EP0			GASKET, Oil Pan
26	J3243116	1				EP0			SUPPORT, Engine Oil Pan
27	06034734	6				EP0			BOLT, Double Stud Hex, .250-20x1.437 & .250-20 x.700
28	06034483	3				EP0			SCREW, Hex Head Coned, .312-18x.875
29	06034733	1				EP0			STUD, .312-18/.250-20x1.680

CHEROKEE (XJ)

SERIES	LINE
H = Sport	T = JEEP - 2WD
L = SE	B = JEEP - 2WD (RHD)
P = Classic	J = JEEP - 4WD
S = Limited	U = JEEP - 4WD (RHD)

BODY
74 = 4 Dr (101.4WB)
72 = 2 Dr (101.4WB)

ENGINE
ENC = ENGINE - 2.5L 4 CYL TURBO DIESEL
EPE = ENGINE - 2.5L POWER TECH I-4 Cyl.
ERH = ENGINE - 4.0L POWER TECH I-6

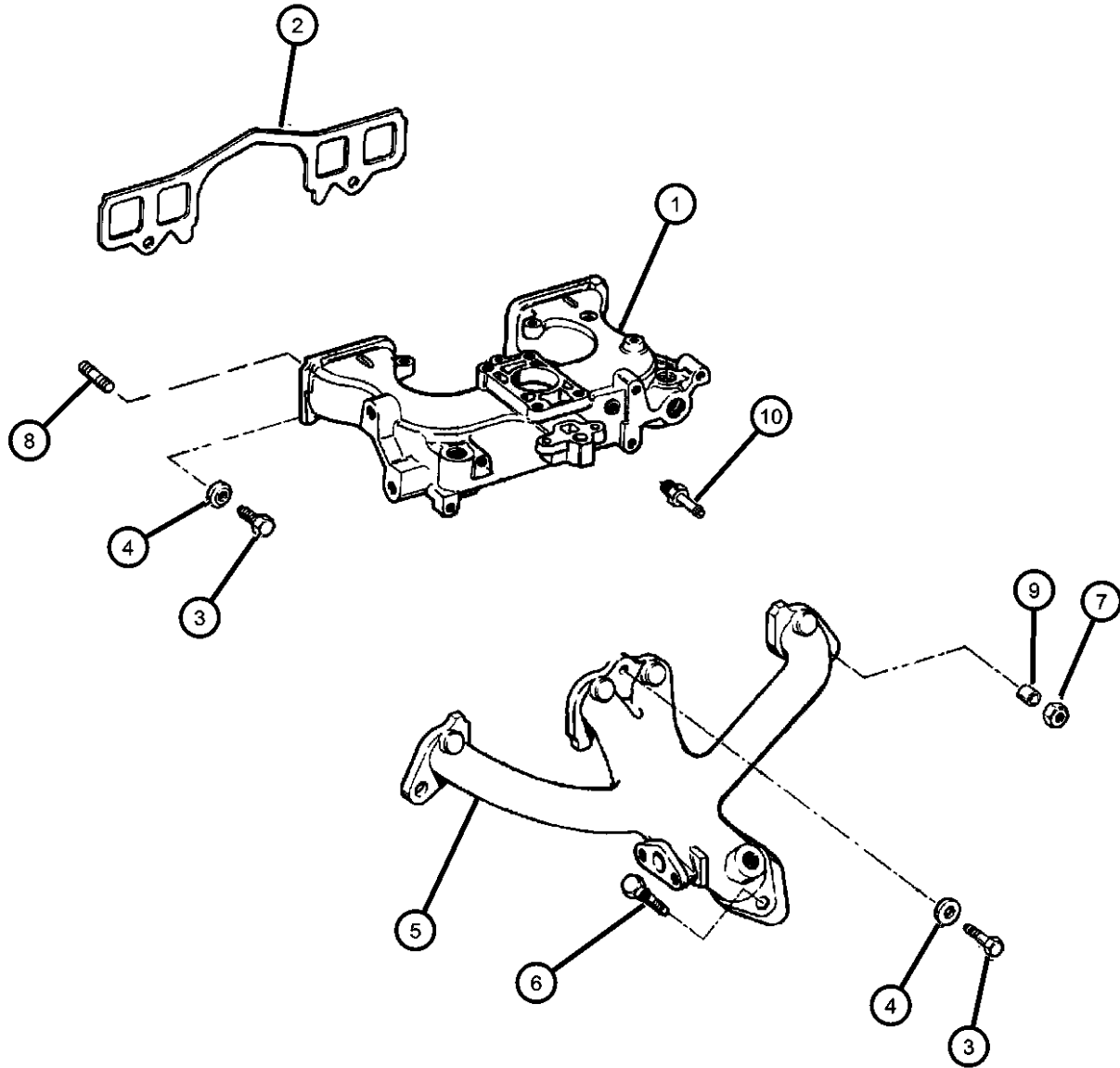
TRANSMISSION
DDD = TRANSMISSION - 5-SPEED HD MANUAL
DDQ = TRANSMISSION - 5-SPEED MANUAL
DGD = TRANSMISSION - 3-SPD. AUTOMATIC,30RH
DGK = TRANSMISSION - 4-SPD. AUTOMATIC,42RE
DGS = TRANSMISSION-4SPD. AUTO,AISIN WARNER
DGT = TRANSMISSION - 4-SPD. AUTOMATIC,46RE
DGW = TRANSMISSION - 4-SPD. AUTOMATIC,44RE
DGX = TRANSMISSION - 4-SPEED AUTOMATIC
DBB = ALL MANUAL TRANSMISSIONS
DGO = ALL AUTOMATIC TRANSMISSIONS

AR = use ase required - = Non illustrated part

**Manifold, Intake and Exhaust
Figure 2.5L4-810**

ITEM	PART NUMBER	QTY	LINE	SERIES	BODY	ENGINE	TRANS	TRIM	DESCRIPTION
------	-------------	-----	------	--------	------	--------	-------	------	-------------

NOTE: EP0=All 2.5L Gas Engines, ERO= All 4.0L Gas Engines



1	53010245	1				EP0			MANIFOLD, Intake
2	53020112	1				EP0			GASKET, Intake Manifold
3	06036045AA	4				EP0			BOLT AND RETAINER, Hex Head
4	06036171AA	2				EP0, ERO			NUT AND WASHER
5	53008860	1				EP0			MANIFOLD, Exhaust
6	J4007109	2				EP0			STUD, .375-16x1.69
7	33003332	2				EP0			SPACER, Exhaust Manifold
8	06036193AA	2				EP0, ERO			STUD, .375-16/.375-24x1.75
9	33003332	2				EP0			SPACER, Exhaust Manifold
10									FITTING, Vacuum
	04854194	1				EP0			Power Brake
		1				EP0			Crankcase Ventilation
		1				EP0			Duty Cycle Purge Solenoid
	53020027	1				EP0			Heater Control

CHEROKEE (XJ)

SERIES	LINE	BODY	ENGINE	TRANSMISSION
H = Sport	T = JEEP - 2WD	74 = 4 Dr (101.4WB)	ENC = ENGINE - 2.5L 4 CYL TURBO DIESEL	DDD = TRANSMISSION - 5-SPEED HD MANUAL
L = SE	B = JEEP - 2WD (RHD)	72 = 2 Dr (101.4WB)	EPE = ENGINE - 2.5L POWER TECH I-4 Cyl.	DDQ = TRANSMISSION - 5-SPEED MANUAL
P = Classic	J = JEEP - 4WD		ERH = ENGINE - 4.0L POWER TECH I-6	DGD = TRANSMISSION - 3-SPD. AUTOMATIC,30RH
S = Limited	U = JEEP - 4WD (RHD)			DGK = TRANSMISSION - 4-SPD. AUTOMATIC,42RE
				DGS = TRANSMISSION-4SPD. AUTO,AISIN WARNER
				DGT = TRANSMISSION - 4-SPD. AUTOMATIC,46RE
				DGW = TRANSMISSION - 4-SPD. AUTOMATIC,44RE
				DGX = TRANSMISSION - 4-SPEED AUTOMATIC
				DBB = ALL MANUAL TRANSMISSIONS
				DGO = ALL AUTOMATIC TRANSMISSIONS

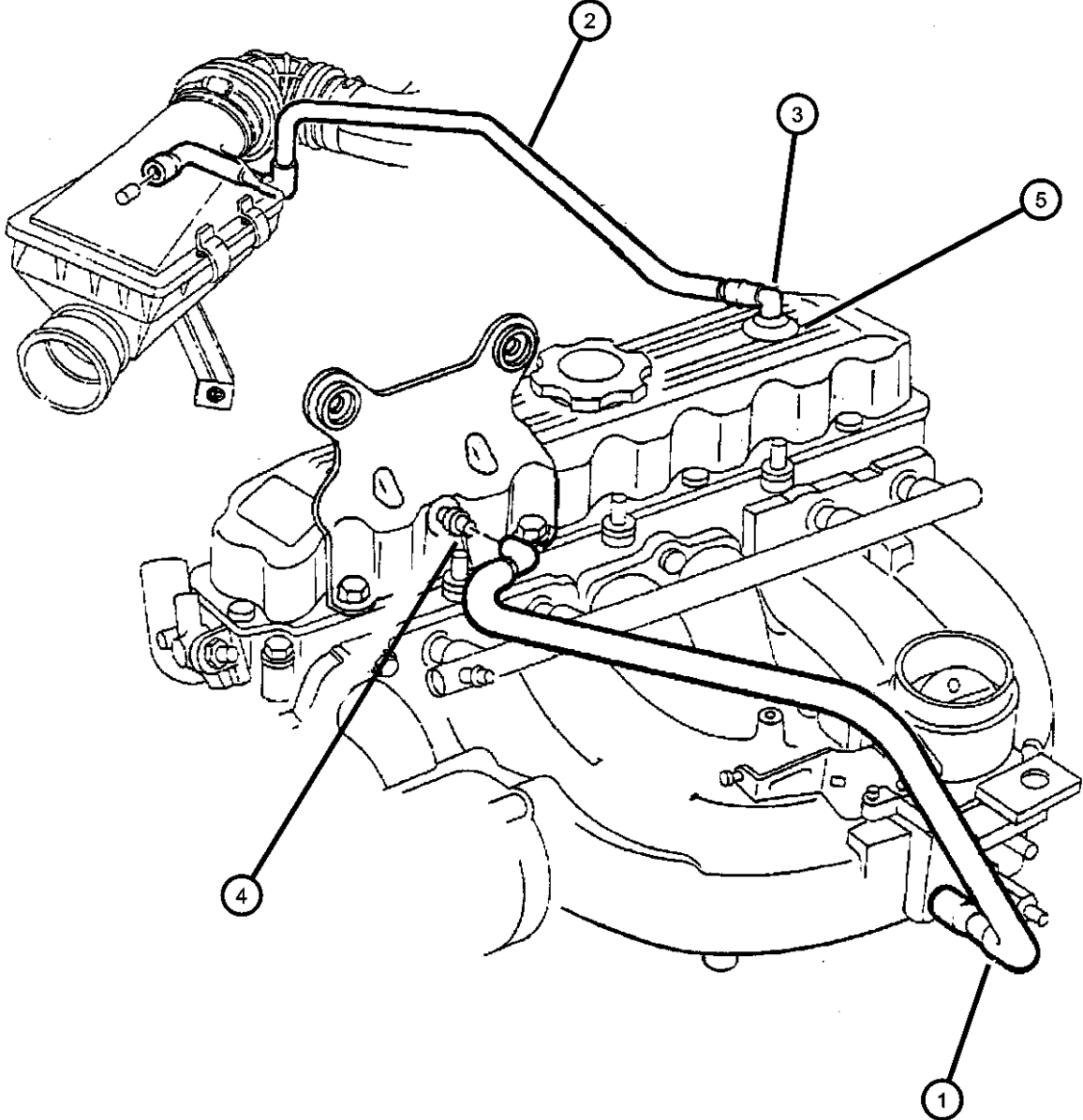
AR = use ase required - = Non illustrated part

2000 XJ

Crankcase Ventilation

Figure 2.5L4-910

ITEM	PART NUMBER	QTY	LINE	SERIES	BODY	ENGINE	TRANS	TRIM	DESCRIPTION
NOTE: EP0=All 2.5L Gas Engines									
1	04854072	1				EP0			TUBE, Vent
2	04854192	1				EP0			TUBE, Crankcase Vent To Air Cleaner
3	53030991	1				EP0			FITTING, Crankcase Vent Tube
4	33004175	1				EP0			CONNECTOR, Vacuum Hose
5	02946079	1				EP0			GROMMET, Crankcase Vent



CHEROKEE (XJ)

SERIES	LINE	BODY	ENGINE	TRANSMISSION
H = Sport	T = JEEP - 2WD	74 = 4 Dr (101.4WB)	ENC = ENGINE - 2.5L 4 CYL TURBO DIESEL	DDD = TRANSMISSION - 5-SPEED HD MANUAL
L = SE	B = JEEP - 2WD (RHD)	72 = 2 Dr (101.4WB)	EPE = ENGINE - 2.5L POWER TECH I-4 Cyl.	DDQ = TRANSMISSION - 5-SPEED MANUAL
P = Classic	J = JEEP - 4WD		ERH = ENGINE - 4.0L POWER TECH I-6	DGD = TRANSMISSION - 3-SPD. AUTOMATIC,30RH
S = Limited	U = JEEP - 4WD (RHD)			DGK = TRANSMISSION - 4-SPD. AUTOMATIC,42RE
				DGS = TRANSMISSION-4SPD. AUTO,AISIN WARNER
				DGT = TRANSMISSION - 4-SPD. AUTOMATIC,46RE
				DGW = TRANSMISSION - 4-SPD. AUTOMATIC,44RE
				DGX = TRANSMISSION - 4-SPEED AUTOMATIC
				DBB = ALL MANUAL TRANSMISSIONS
				DGO = ALL AUTOMATIC TRANSMISSIONS

AR = use ase required - = Non illustrated part

Group - 4.0L

Engine 4.0L Six Cylinder

Group - 4.0L Engine 4.0L Six Cylinder

Illustration Title

Group-Fig. No.

Cylinder Head

Cylinder Head Fig. 4.0L - 210

Cylinder Block

Cylinder Block Fig. 4.0L - 310

Crankshaft, Piston and Torque Converter

Crankshaft, Piston and Torque Converter Fig. 4.0L - 410

Camshafts & Valves

Camshaft and Valves Fig. 4.0L - 510

Timing Belt and Cover

Timing Cover Fig. 4.0L - 610

Engine Oiling

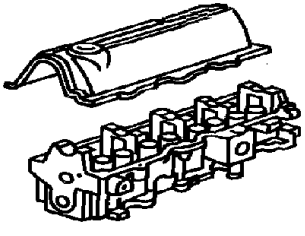
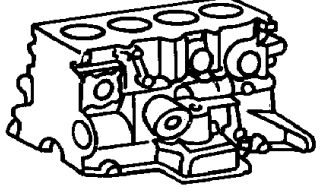
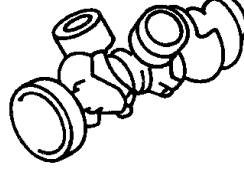
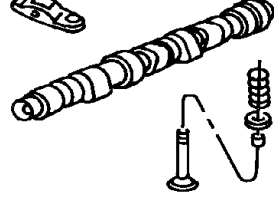
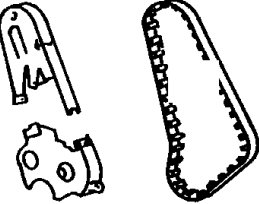
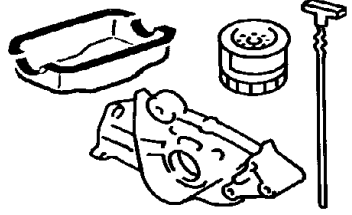
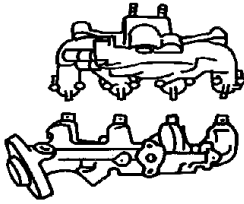
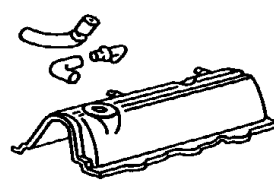
Engine Oiling Fig. 4.0L - 710

Manifolds

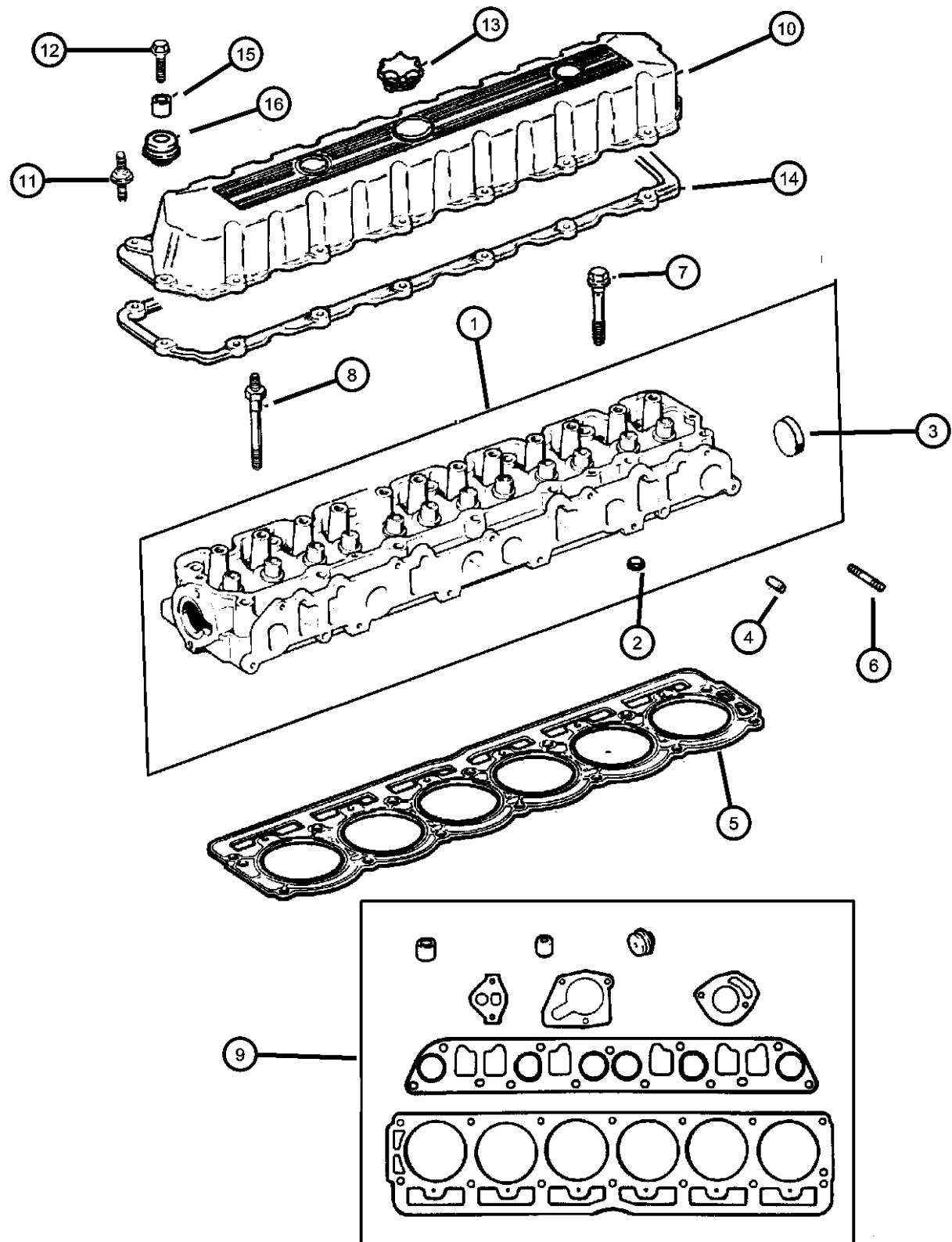
Manifold, Intake and Exhaust Fig. 4.0L - 810

Crankcase Ventilation

Crankcase Ventilation Fig. 4.0L - 910

<p>4.0L-200 Cylinder Head</p> 	<p>4.0L-300 Cylinder Block</p> 	<p>4.0L-400 Crankshaft, Piston and Torque Converter</p> 	<p>4.0L-500 Camshafts & Valves</p> 
<p>4.0L-600 Timing Belt and Cover</p> 	<p>4.0L-700 Engine Oiling</p> 	<p>4.0L-800 Manifolds</p> 	<p>4.0L-900 Crankcase Ventilation</p> 

**Cylinder Head
Figure 4.0L-210**



ITEM	PART NUMBER	QTY	LINE	SERIES	BODY	ENGINE	TRANS	TRIM	DESCRIPTION
NOTE: Upper engine gasket package does not include the Cylinder Head Cover Gasket Sales Codes: ER0=All 4.0L Engines, EPO= All 2.5L Gas Engines									
1	53010334	1				ER0			HEAD, Cylinder
2	J4007434	4				ER0			PLUG, Cylinder Block Oil Hole
3	J3105394	1				ER0			PLUG, Cylinder Block Oil Hole
4	J3172318	2				EP0, ER0			DOWEL, Cylinder Head To Intake
5	53020754AB	1				ER0			GASKET, Cylinder Head
6	06036193AA	2				EP0, ER0			STUD, .375-16/.375-24x1.75
7									BOLT, Cylinder Head
	06035514	5				ER0			w/o Dome
	06035515	2				ER0			w/Dome
8	06035516	6				ER0			STUD, Double Ended, .50-13/.437-14x6.00
9	05012365AA	1				ER0			GASKET PACKAGE, Engine Upper, See Notes
10	53020323	1				ER0			COVER, Cylinder Head
11	06035968AA	7				ER0			STUD, .250-20x2.00
12	06035566	8				ER0			BOLT, Hex Flange Head, .250-20x1.00
13	04777536	1				ER0			CAP, Oil Filler
14	53020758AC	1				ER0			GASKET, Valve Cover
15	53020598AB	15				ER0			SLEEVE, Torque Limiter
16	53010424	15				ER0			GROMMET, Insulator

CHEROKEE (XJ)

SERIES	LINE	BODY	ENGINE	TRANSMISSION
H = Sport	T = JEEP - 2WD	74 = 4 Dr (101.4WB)	ENC = ENGINE - 2.5L 4 CYL TURBO DIESEL	DDD = TRANSMISSION - 5-SPEED HD MANUAL
L = SE	B = JEEP - 2WD (RHD)	72 = 2 Dr (101.4WB)	EPE = ENGINE - 2.5L POWER TECH I-4 Cyl.	DDQ = TRANSMISSION - 5-SPEED MANUAL
P = Classic	J = JEEP - 4WD		ERH = ENGINE - 4.0L POWER TECH I-6	DGD = TRANSMISSION - 3-SPD. AUTOMATIC,30RH
S = Limited	U = JEEP - 4WD (RHD)			DGK = TRANSMISSION - 4-SPD. AUTOMATIC,42RE

BODY
74 = 4 Dr (101.4WB)
72 = 2 Dr (101.4WB)

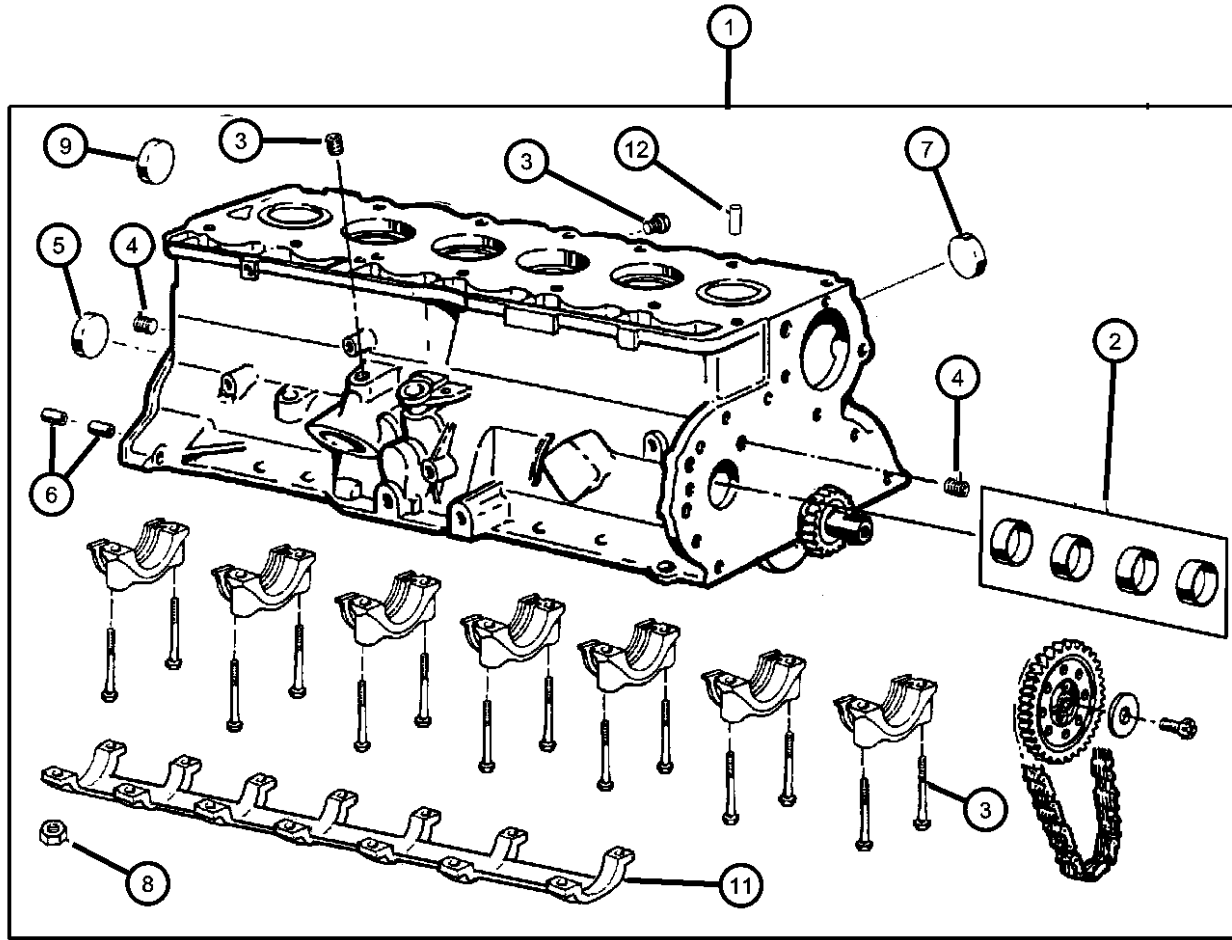
ENGINE
ENC = ENGINE - 2.5L 4 CYL TURBO DIESEL
EPE = ENGINE - 2.5L POWER TECH I-4 Cyl.
ERH = ENGINE - 4.0L POWER TECH I-6

TRANSMISSION
DDD = TRANSMISSION - 5-SPEED HD MANUAL
DDQ = TRANSMISSION - 5-SPEED MANUAL
DGD = TRANSMISSION - 3-SPD. AUTOMATIC,30RH
DGK = TRANSMISSION - 4-SPD. AUTOMATIC,42RE
DGS = TRANSMISSION-4SPD. AUTO,AISIN WARNER
DGT = TRANSMISSION - 4-SPD. AUTOMATIC,46RE
DGW = TRANSMISSION - 4-SPD. AUTOMATIC,44RE
DGX = TRANSMISSION - 4-SPEED AUTOMATIC
DBB = ALL MANUAL TRANSMISSIONS
DGO = ALL AUTOMATIC TRANSMISSIONS

AR = use ase required - = Non illustrated part

2000 XJ

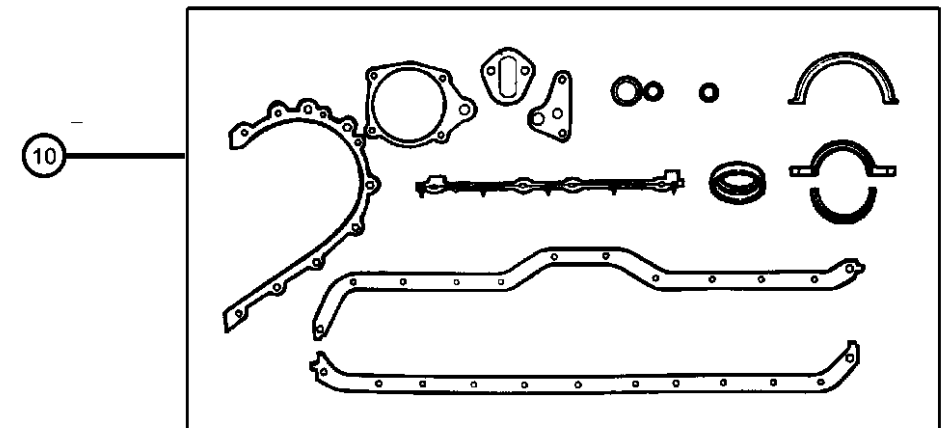
**Cylinder Block
Figure 4.0L-310**



ITEM	PART NUMBER	QTY	LINE	SERIES	BODY	ENGINE	TRANS	TRIM	DESCRIPTION
------	-------------	-----	------	--------	------	--------	-------	------	-------------

NOTE: ER0=All 4.0L Engines, EPO= All 2.5L Gas Engines

1	05013116AB	1				ER0			BLOCK, Short, Contains: Crank, Rods, Pistons, Rings, Cam Bearings, Timing Chain, Sprockets
	R2640402AB								Mopar Remanufactured Long Block w/ Head(s)
	R9640421AA								Mopar Remanufactured Short Block
2	04636985AB	1				ER0			BEARING PACKAGE, Camshaft, Standard Size
3	06035207	14				ER0			STUD, .500-13/375-16x3.97
4	06034166	3				ER0			PLUG, Cylinder Block Oil Hole
5	J3172313	1				EPO			PLUG, Camshaft
6	J4005148	2				ER0			DOWEL, Transmission
7	J3105394	6				ER0			PLUG, Cylinder Block Oil Hole
8	00152474	14				ER0			NUT, Hex Flange Lock, .375-16
9	53020465	1				EPO			PLUG, Cylinder Block
10	05017432AA	1				ER0			GASKET PACKAGE, Engine Lower
11	53020566	1				ER0			BRACE, Main Bearing Cap
12	00141215	2				ER0			DOWEL, .312 x .500

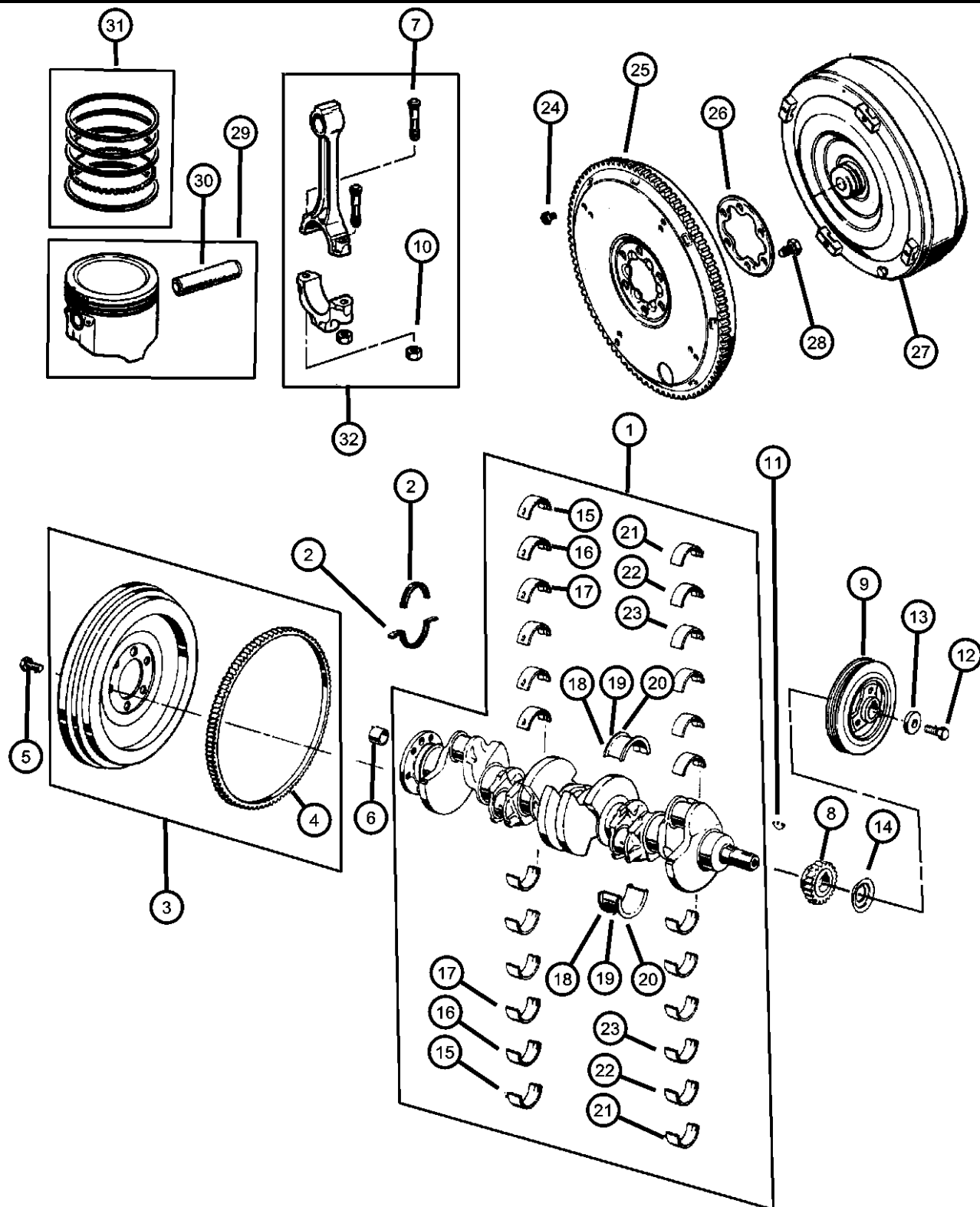


CHEROKEE (XJ)

SERIES	LINE	BODY	ENGINE	TRANSMISSION
H = Sport	T = JEEP - 2WD	74 = 4 Dr (101.4WB)	ENC = ENGINE - 2.5L 4 CYL TURBO DIESEL	DDD = TRANSMISSION - 5-SPEED HD MANUAL
L = SE	B = JEEP - 2WD (RHD)	72 = 2 Dr (101.4WB)	EPE = ENGINE - 2.5L POWER TECH I-4 Cyl.	DDQ = TRANSMISSION - 5-SPEED MANUAL
P = Classic	J = JEEP - 4WD		ERH = ENGINE - 4.0L POWER TECH I-6	DGD = TRANSMISSION - 3-SPD. AUTOMATIC,30RH
S = Limited	U = JEEP - 4WD (RHD)			DGK = TRANSMISSION - 4-SPD. AUTOMATIC,42RE
				DGS = TRANSMISSION-4SPD. AUTO,AISIN WARNER
				DGT = TRANSMISSION - 4-SPD. AUTOMATIC,46RE
				DGW = TRANSMISSION - 4-SPD. AUTOMATIC,44RE
				DGX = TRANSMISSION - 4-SPEED AUTOMATIC
				DBB = ALL MANUAL TRANSMISSIONS
				DGO = ALL AUTOMATIC TRANSMISSIONS

AR = use ase required - = Non illustrated part

Crankshaft, Piston and Torque Converter
Figure 4.0L-410



ITEM	PART NUMBER	QTY	LINE	SERIES	BODY	ENGINE	TRANS	TRIM	DESCRIPTION
------	-------------	-----	------	--------	------	--------	-------	------	-------------

NOTE: ER0=All 4.0L Engines, EPO= All 2.5L Gas Engines, DBB=All Manual Transmissions DG0=All Automatic Transmissions DGS=Aisin 4 Sp

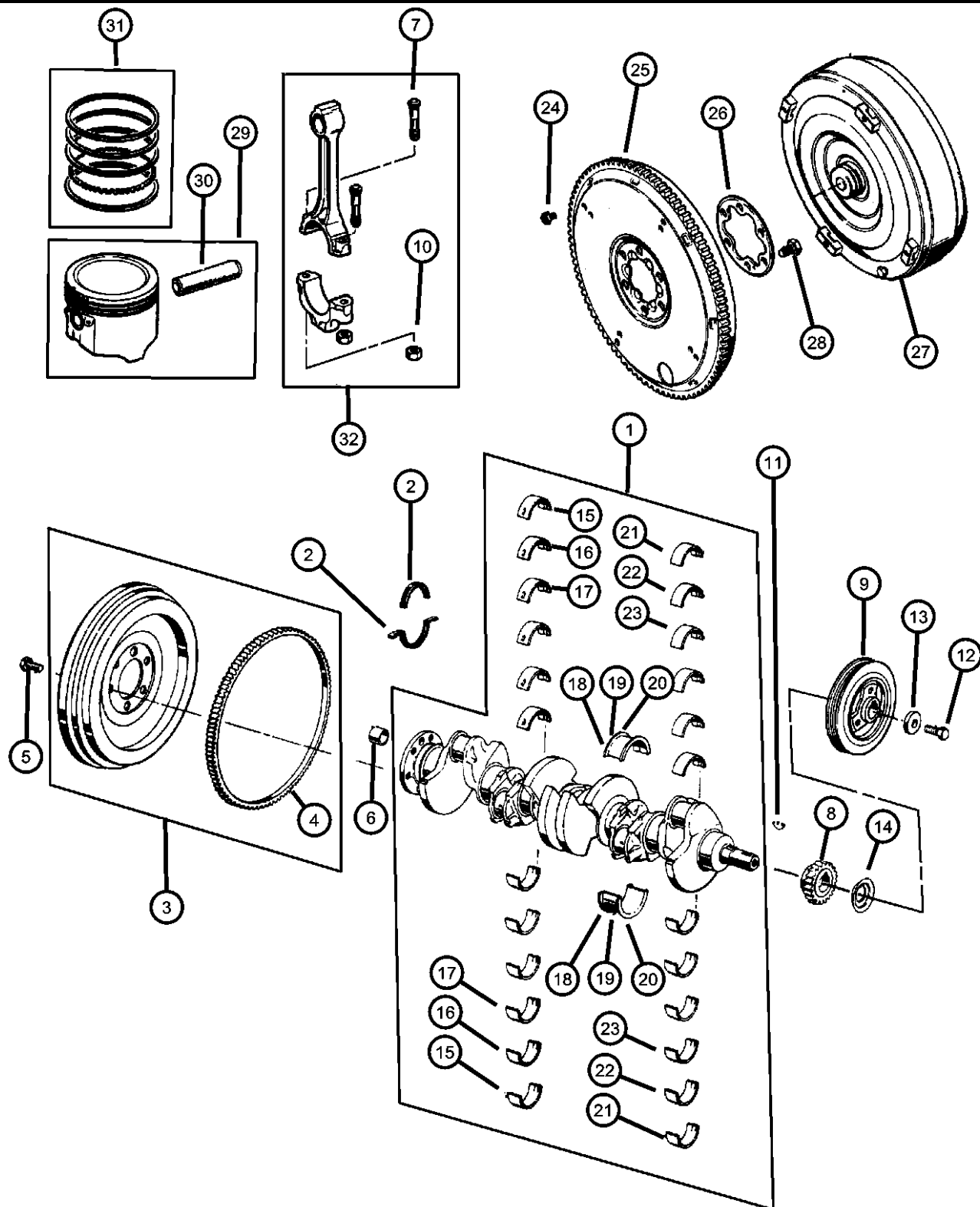
1	04864726AB	1				ER0			CRANKSHAFT
2	53020599AB	2				ER0			SEAL, Rear Main Crankshaft
3	53020519AB	1				ER0	DBB		FLYWHEEL
4	J3179741	1				ER0	DBB		GEAR, Ring
5	J3170524	6				ER0	DBB		BOLT, Flywheel
6	53009180AB	1				ER0	DBB		BEARING, Pilot
7	53020123	12				ER0			BOLT, Connecting Rod
8	53020443	1				ER0			GEAR, Crankshaft
9									DAMPER, Crankshaft
	33002920	1				ER0			Use Up 2/11/00
	33002920AB	1				ER0			Use After 2/11/00
10	J4006385	12				ER0			NUT, Hex Flange, .3437-24
11	06034749	1				EP0, ER0			KEY, Crankshaft Sprocket
12	00182776	1				EP0, ER0			BOLT
13	J3230155	1				EP0, ER0			WASHER, Plain
14	J3173076	1				EP0, ER0			SLINGER, Oil
15	83507079	6				ER0			BEARING PACKAGE, Crankshaft, Standard
16	83507080	AR				EP0, ER0			BEARING PACKAGE, Crankshaft, .001 Undersize
17	83507083	AR				EP0, ER0			BEARING PACKAGE, Crankshaft, .010 Undersize
18	83507084	1				EP0, ER0			BEARING PACKAGE, Crankshaft Thrust, Standard Size
19	83507086	AR				EP0, ER0			BEARING PACKAGE, Crankshaft Thrust, .001" Undersize
20	83507090	AR				EP0, ER0			BEARING PACKAGE, Crankshaft Thrust, .010" Undersize

CHEROKEE (XJ)

SERIES	LINE	BODY	ENGINE	TRANSMISSION
H = Sport	T = JEEP - 2WD	74 = 4 Dr (101.4WB)	ENC = ENGINE - 2.5L 4 CYL TURBO DIESEL	DDD = TRANSMISSION - 5-SPEED HD MANUAL
L = SE	B = JEEP - 2WD (RHD)	72 = 2 Dr (101.4WB)	EPE = ENGINE - 2.5L POWER TECH I-4 Cyl.	DDQ = TRANSMISSION - 5-SPEED MANUAL
P = Classic	J = JEEP - 4WD		ERH = ENGINE - 4.0L POWER TECH I-6	DGD = TRANSMISSION - 3-SPD. AUTOMATIC,30RH
S = Limited	U = JEEP - 4WD (RHD)			DGK = TRANSMISSION - 4-SPD. AUTOMATIC,42RE
				DGS = TRANSMISSION-4SPD. AUTO,AISIN WARNER
				DGT = TRANSMISSION - 4-SPD. AUTOMATIC,46RE
				DGW = TRANSMISSION - 4-SPD. AUTOMATIC,44RE
				DGX = TRANSMISSION - 4-SPEED AUTOMATIC
				DBB = ALL MANUAL TRANSMISSIONS
				DGO = ALL AUTOMATIC TRANSMISSIONS

AR = use ase required - = Non illustrated part

Crankshaft, Piston and Torque Converter
Figure 4.0L-410



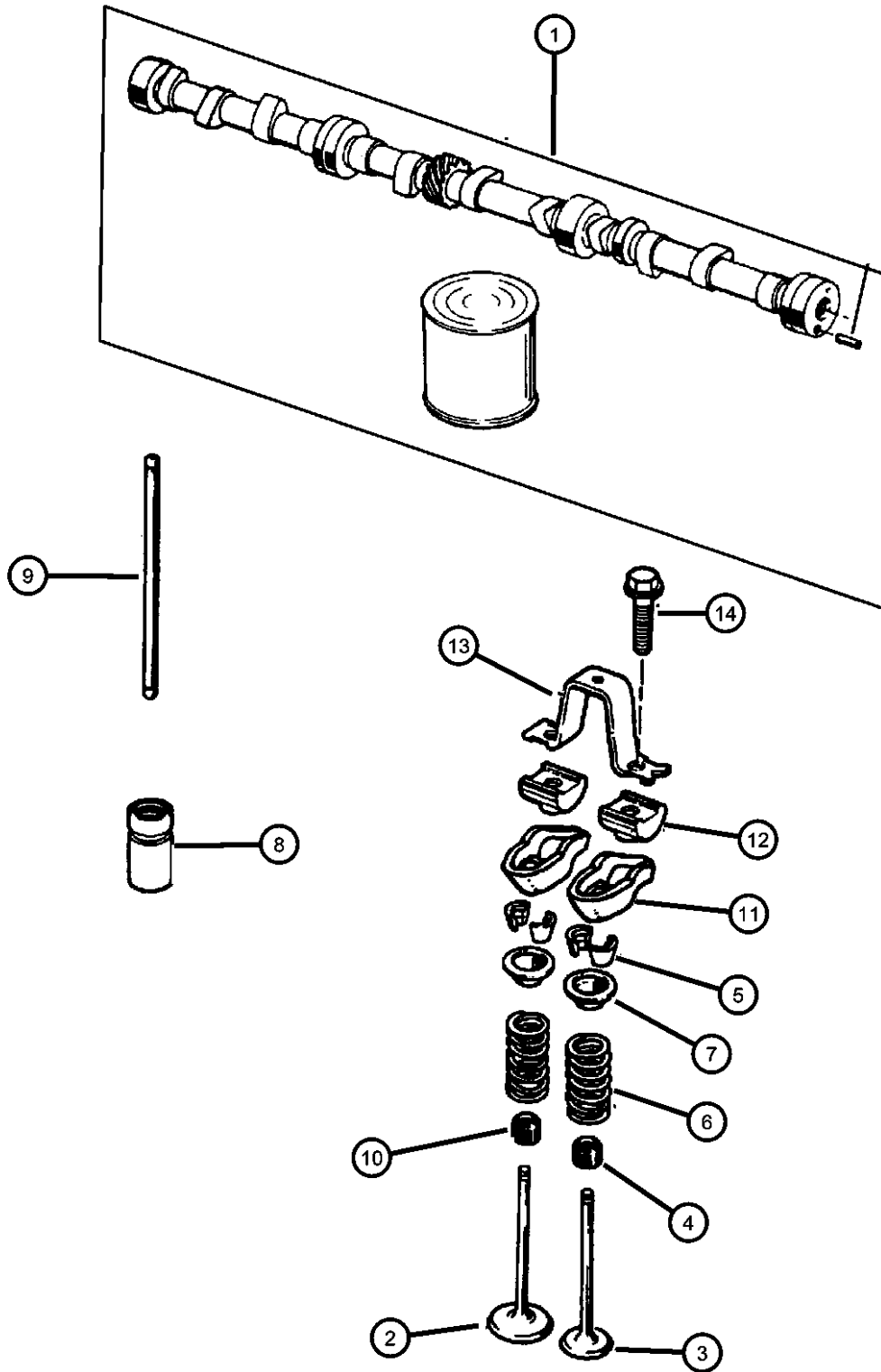
ITEM	PART NUMBER	QTY	LINE	SERIES	BODY	ENGINE	TRANS	TRIM	DESCRIPTION
21	83500300	8				EP0			BEARING KIT, Connecting Rod, Standard
22	83501397	AR				EP0, ER0			BEARING KIT, Connecting Rod, .001 Undersize
23	83500301	AR				EP0, ER0			BEARING KIT, Connecting Rod, .010 Undersize
24	34202497	4				ER0	DG0		BOLT, Hex Head, M10x1.50x14
25	52118551	1				ER0	DG0		PLATE, Drive Plate
26	J3214094	1				ER0	DG0		PLATE, Drive Plate Backing
27									CONVERTER, Torque
	53003431	1		J, U			DGS		
		1		B, T		ER0	DGS		
28	J3151407	6				ER0	DG0		BOLT, Hex Head, .50-20x.56
29									PISTON PIN AND ROD
	04798329	6				ER0			B Size, 3.8742
	04798330	6				ER0			C Size, 3.8746
	04798331	6				ER0			D Size, 3.8750
	04798332	6				ER0			E Size, 3.8754
	04798333	6				ER0			F Size, 3.8758
30	04798333	6							PIN, Piston, Serviced in Piston Assembly, (NOT SERVICED),
31	04798878	1				ER0			RING PACKAGE, Piston, Standard Size Complete Engine
32	04798878	1							ROD, Connecting, Serviced in Piston Assembly, (NOT SERVICED)

CHEROKEE (XJ)

SERIES	LINE	BODY	ENGINE	TRANSMISSION
H = Sport	T = JEEP - 2WD	74 = 4 Dr (101.4WB)	ENC = ENGINE - 2.5L 4 CYL TURBO DIESEL	DDD = TRANSMISSION - 5-SPEED HD MANUAL
L = SE	B = JEEP - 2WD (RHD)	72 = 2 Dr (101.4WB)	EPE = ENGINE - 2.5L POWER TECH I-4 Cyl.	DDQ = TRANSMISSION - 5-SPEED MANUAL
P = Classic	J = JEEP - 4WD		ERH = ENGINE - 4.0L POWER TECH I-6	DGD = TRANSMISSION - 3-SPD. AUTOMATIC,30RH
S = Limited	U = JEEP - 4WD (RHD)			DGK = TRANSMISSION - 4-SPD. AUTOMATIC,42RE
				DGS = TRANSMISSION-4SPD. AUTO,AISIN WARNER
				DGT = TRANSMISSION - 4-SPD. AUTOMATIC,46RE
				DGW = TRANSMISSION - 4-SPD. AUTOMATIC,44RE
				DGX = TRANSMISSION - 4-SPEED AUTOMATIC
				DBB = ALL MANUAL TRANSMISSIONS
				DGO = ALL AUTOMATIC TRANSMISSIONS

AR = use ase required - = Non illustrated part

**Camshaft and Valves
Figure 4.0L-510**



ITEM	PART NUMBER	QTY	LINE	SERIES	BODY	ENGINE	TRANS	TRIM	DESCRIPTION
------	-------------	-----	------	--------	------	--------	-------	------	-------------

NOTE: ER0=All 4.0L Engines

1	53010448AA	1				ER0			CAMSHAFT
2	53010512AA	6				ER0			VALVE, Intake, Standard
3	53010513AA	6				ER0			VALVE, Exhaust, Standard
4	53009886	6				ER0			SEAL, Valve Guide, Standard
5	53010515AA	24				ER0			LOCK, Valve Spring Retainer
6	53010388	12				ER0			SPRING, Valve
7	53010514AA	12				ER0			RETAINER, Valve Spring
8	04740269	12				ER0			TAPPET, Valve
9	33002986	12				ER0			PUSH ROD, Valve
10	53009886	6				ER0			SEAL, Valve Guide
11	J3242393	12				ER0			ROCKER ARM, Valve
12	J3235090	12				ER0			PIVOT, Rocker Arm
13	J3236513	6				ER0			BRIDGE, Rocker Arm
14	J9425708	12				ER0			BOLT, Hex Flange Head, .312-18x1.25

CHEROKEE (XJ)

SERIES	LINE
H = Sport	T = JEEP - 2WD
L = SE	B = JEEP - 2WD (RHD)
P = Classic	J = JEEP - 4WD
S = Limited	U = JEEP - 4WD (RHD)

BODY
74 = 4 Dr (101.4WB)
72 = 2 Dr (101.4WB)

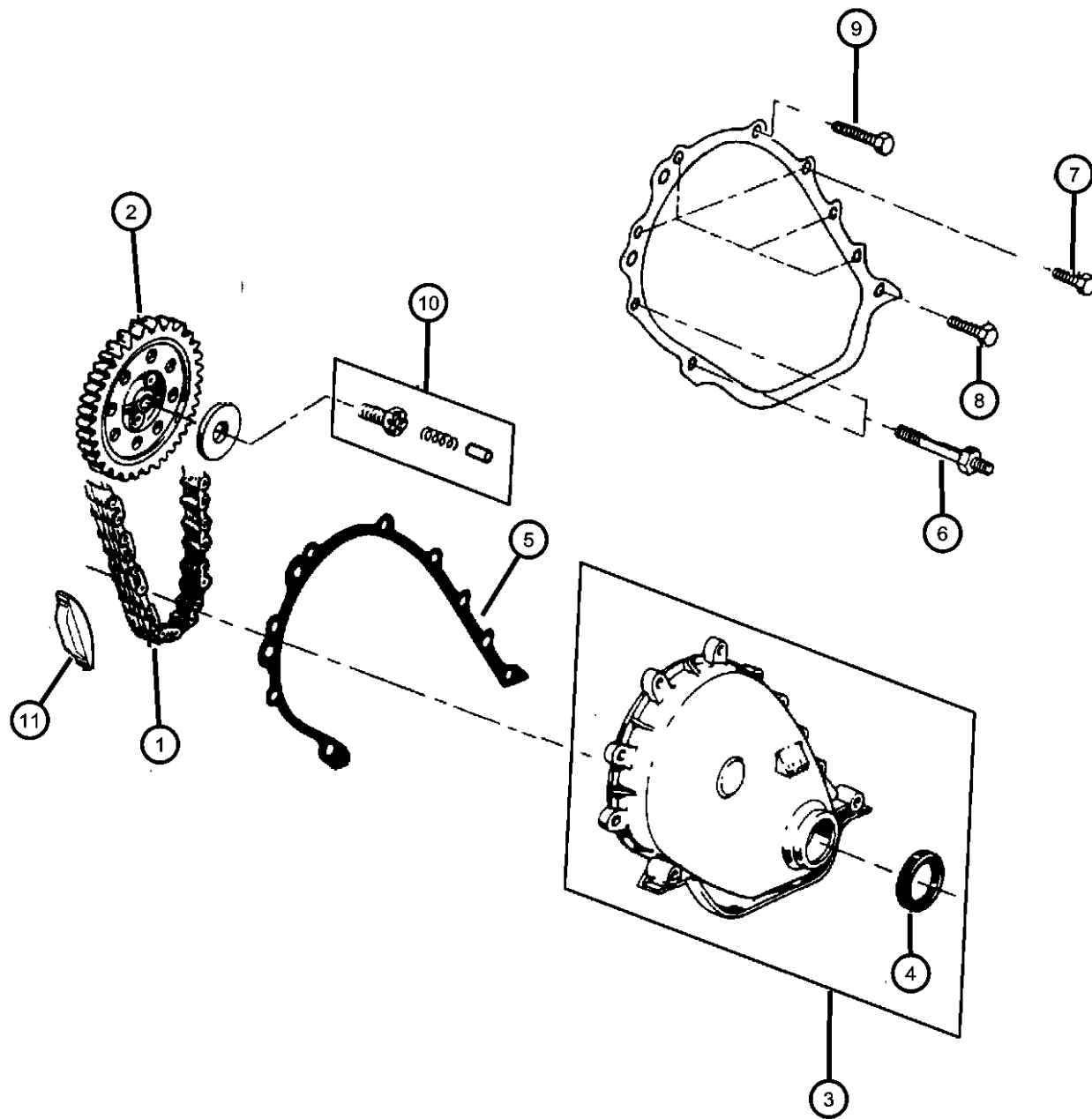
ENGINE
ENC = ENGINE - 2.5L 4 CYL TURBO DIESEL
EPE = ENGINE - 2.5L POWER TECH I-4 Cyl.
ERH = ENGINE - 4.0L POWER TECH I-6

TRANSMISSION
DDD = TRANSMISSION - 5-SPEED HD MANUAL
DDQ = TRANSMISSION - 5-SPEED MANUAL
DGD = TRANSMISSION - 3-SPD. AUTOMATIC,30RH
DGK = TRANSMISSION - 4-SPD. AUTOMATIC,42RE
DGS = TRANSMISSION-4SPD. AUTO,AISIN WARNER
DGT = TRANSMISSION - 4-SPD. AUTOMATIC,46RE
DGW = TRANSMISSION - 4-SPD. AUTOMATIC,44RE
DGX = TRANSMISSION - 4-SPEED AUTOMATIC
DBB = ALL MANUAL TRANSMISSIONS
DGO = ALL AUTOMATIC TRANSMISSIONS

AR = use ase required - = Non illustrated part

2000 XJ

Timing Cover
Figure 4.0L-610



ITEM	PART NUMBER	QTY	LINE	SERIES	BODY	ENGINE	TRANS	TRIM	DESCRIPTION
NOTE: ER0=All 4.0L Engines, EPO= All 2.5L Gas Engines									
-1	05189875AA	1				ER0			CHAIN PACKAGE, Timing
2	53020444	1				ER0			CHAIN, Timing
3	53010400	1				ER0			SPROCKET, Camshaft
4	53020222	1				EPO, ER0			COVER, Timing Belt
5	33004681	1				EPO, ER0			SEAL, Front Main Crankshaft
6	53020487	1				EPO, ER0			GASKET, Front Cover
7	06035921AA	1				ER0			STUD
8	06035893	5				EPO, ER0			BOLT, Hex
9	06035895	1				EPO, ER0			SCREW
10	06035894	1				ER0			SCREW
11	06024030	1				ER0			SCREW AND WASHER, Hex
12	33003446	1				EPO, ER0			SNUBBER, Timing Chain
-13	53010401	1				ER0			PLATE, Camshaft Thrust
-14	06035975AA	2				ER0			SCREW, Pan Head

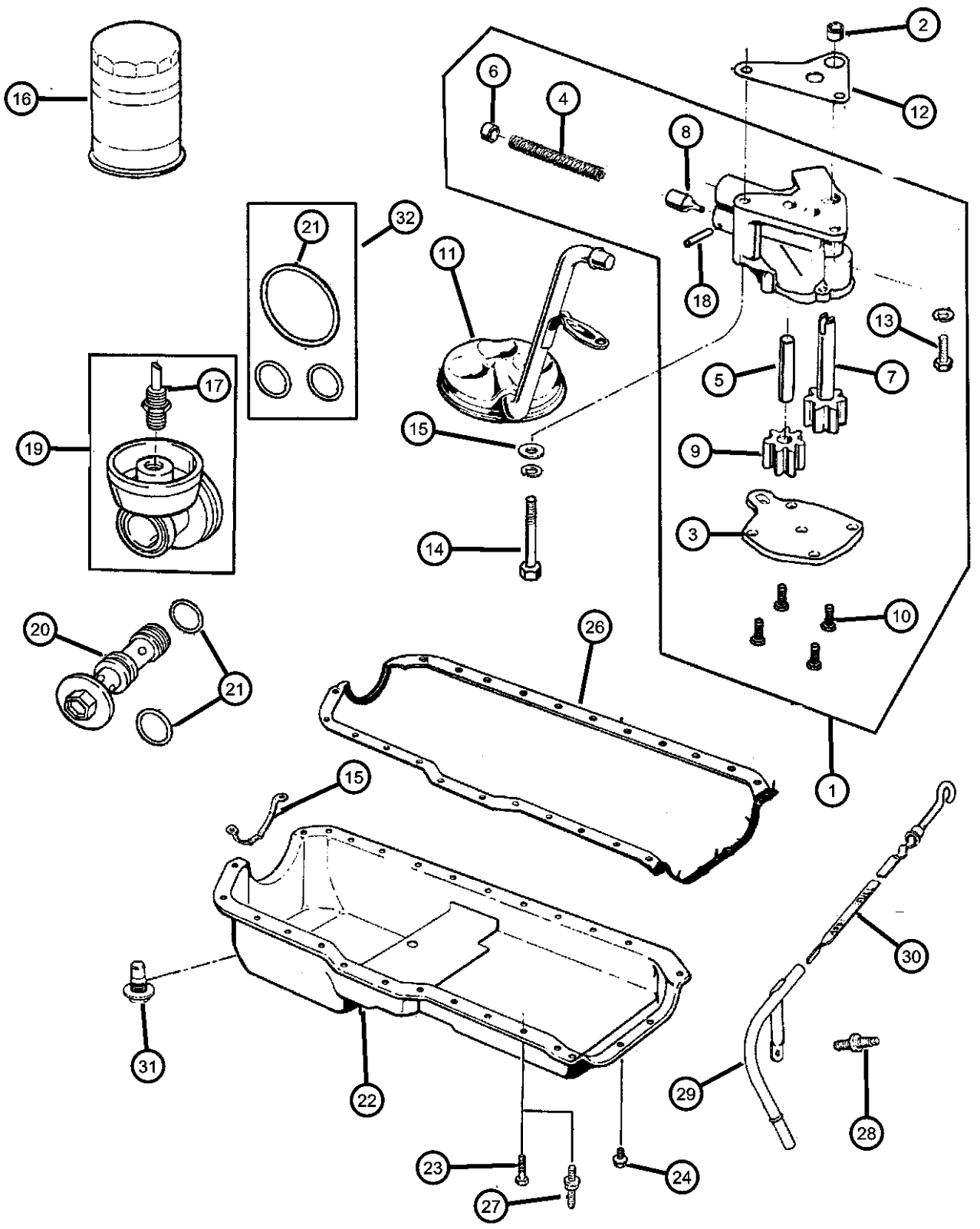
CHEROKEE (XJ)

SERIES	LINE	BODY	ENGINE	TRANSMISSION
H = Sport	T = JEEP - 2WD	74 = 4 Dr (101.4WB)	ENC = ENGINE - 2.5L 4 CYL TURBO DIESEL	DDD = TRANSMISSION - 5-SPEED HD MANUAL
L = SE	B = JEEP - 2WD (RHD)	72 = 2 Dr (101.4WB)	EPE = ENGINE - 2.5L POWER TECH I-4 Cyl.	DDQ = TRANSMISSION - 5-SPEED MANUAL
P = Classic	J = JEEP - 4WD		ERH = ENGINE - 4.0L POWER TECH I-6	DGD = TRANSMISSION - 3-SPD. AUTOMATIC,30RH
S = Limited	U = JEEP - 4WD (RHD)			DGK = TRANSMISSION - 4-SPD. AUTOMATIC,42RE
				DGS = TRANSMISSION-4SPD. AUTO,AISIN WARNER
				DGT = TRANSMISSION - 4-SPD. AUTOMATIC,46RE
				DGW = TRANSMISSION - 4-SPD. AUTOMATIC,44RE
				DGX = TRANSMISSION - 4-SPEED AUTOMATIC
				DBB = ALL MANUAL TRANSMISSIONS
				DGO = ALL AUTOMATIC TRANSMISSIONS

AR = use ase required - = Non illustrated part

2000 XJ

**Engine Oiling
Figure 4.0L-710**



ITEM	PART NUMBER	QTY	LINE	SERIES	BODY	ENGINE	TRANS	TRIM	DESCRIPTION
------	-------------	-----	------	--------	------	--------	-------	------	-------------

NOTE: ER0=All 4.0L Engines, EPO= All 2.5L Gas Engines

1	J3241399	1				ER0			PUMP, Engine Oil
2	J4005149	1				EP0, ER0			DOWEL, Oil Pump
3	J3241733	1				ER0			COVER, Engine Oil Pump
4	J3239668	1				ER0			SPRING, Oil Pressure Relief Valve
5	J3171956	1				ER0			SHAFT, Oil Pump
6	J3171958	1				ER0			RETAINER, Oil Release Valve
7	J3172334	1				ER0			GEAR, Oil Pump
8	J3188661	1				ER0			PLUNGER, Oil Pressure Relief Valve
9	J3196843	1				ER0			GEAR, Oil Pump Driven
10	J9416852	4				ER0			SCREW, Hex Flange Head, .25-20x.50
11	33002696	1				ER0			TUBE, Oil Pump Inlet
12	J3172332	1				EP0, ER0			GASKET, Oil Pump
13	06022235	1				EP0, ER0			BOLT AND WASHER, Hex Head, .312-18x1.00
14	00154593	1				EP0, ER0			SCREW, Hex Head Coned, .312-18x2.625
15	53010511AA	1				ER0			SUPPORT, Engine Oil Pan
16	05281090	1				EP0, ER0			FILTER, Engine Oil
	0FE00292								Canadian Aftermarket Part
	05281090BA								BULK PACK (12)
	77060018								Performance Mobil 1, 15W - 50 Tri-Synthetic Engine Oil-Recommended Fill for 6.1L & 8.3L
	P5007323								Performance Mobil 1, 5W - 30 Tri-Synthetic Engine Oil, Quart

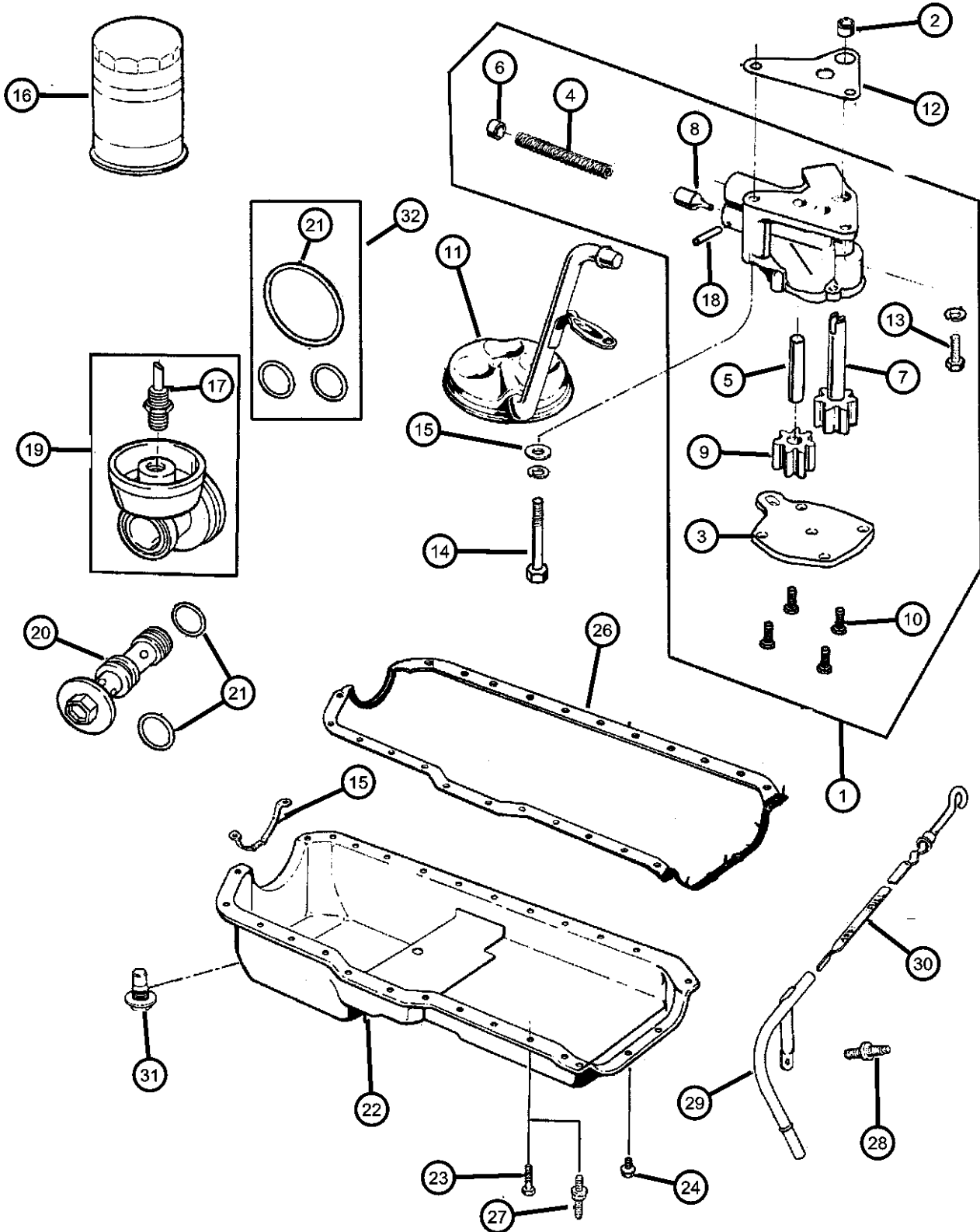
CHEROKEE (XJ)

SERIES	LINE	BODY	ENGINE	TRANSMISSION
H = Sport	T = JEEP - 2WD	74 = 4 Dr (101.4WB)	ENC = ENGINE - 2.5L 4 CYL TURBO DIESEL	DDD = TRANSMISSION - 5-SPEED HD MANUAL
L = SE	B = JEEP - 2WD (RHD)	72 = 2 Dr (101.4WB)	EPE = ENGINE - 2.5L POWER TECH I-4 Cyl.	DDQ = TRANSMISSION - 5-SPEED MANUAL
P = Classic	J = JEEP - 4WD		ERH = ENGINE - 4.0L POWER TECH I-6	DGD = TRANSMISSION - 3-SPD. AUTOMATIC,30RH
S = Limited	U = JEEP - 4WD (RHD)			DGK = TRANSMISSION - 4-SPD. AUTOMATIC,42RE
				DGS = TRANSMISSION-4SPD. AUTO,AISIN WARNER
				DGT = TRANSMISSION - 4-SPD. AUTOMATIC,46RE
				DGW = TRANSMISSION - 4-SPD. AUTOMATIC,44RE
				DGX = TRANSMISSION - 4-SPEED AUTOMATIC
				DBB = ALL MANUAL TRANSMISSIONS
				DGO = ALL AUTOMATIC TRANSMISSIONS

AR = use ase required - = Non illustrated part

2000 XJ

Engine Oiling
Figure 4.0L-710



ITEM	PART NUMBER	QTY	LINE	SERIES	BODY	ENGINE	TRANS	TRIM	DESCRIPTION
17	53007563	1				ER0			CONNECTOR, Oil Filter
18	J0271448	1				ER0			PIN, Roll, 5/32" x 1.00"
19	53020080	1				ER0			ADAPTER, Oil Filter
20	53020237	1				ER0			BOLT, Oil Filter Adapter
21	33002972	1				ER0			O RING, Oil Filter Adapter
22	53020833AB	1				ER0			PAN, Engine Oil
23	06034732	15				ER0			SCREW AND WASHER, Hex Head, .25-20x.545
24	06034483	3				ER0			SCREW, Hex Head Coned, .312-18x.875
-25	06034733	1				ER0			STUD, .312-18/.250-20x1.680
26	53007568AC	1				ER0			GASKET, Oil Pan
27	06034734	9				ER0			BOLT, Double Stud Hex, .250-20x1.437 & .250-20 x.700
28	06035664	1				EP0, ER0			STUD, .312-18x1.560
29	53020782	1				ER0			TUBE, Oil Filler
30	53010445	1				ER0			INDICATOR, Engine Oil Level
31	06035417	1				ER0			PLUG, Oil Drain
32	04720363	1				ER0			SEAL PACKAGE, Oil Filter Adapter
-33	05083881AA	1				ER0			DRIVE, OIL PUMP

CHEROKEE (XJ)

SERIES	LINE
H = Sport	T = JEEP - 2WD
L = SE	B = JEEP - 2WD (RHD)
P = Classic	J = JEEP - 4WD
S = Limited	U = JEEP - 4WD (RHD)

BODY
74 = 4 Dr (101.4WB)
72 = 2 Dr (101.4WB)

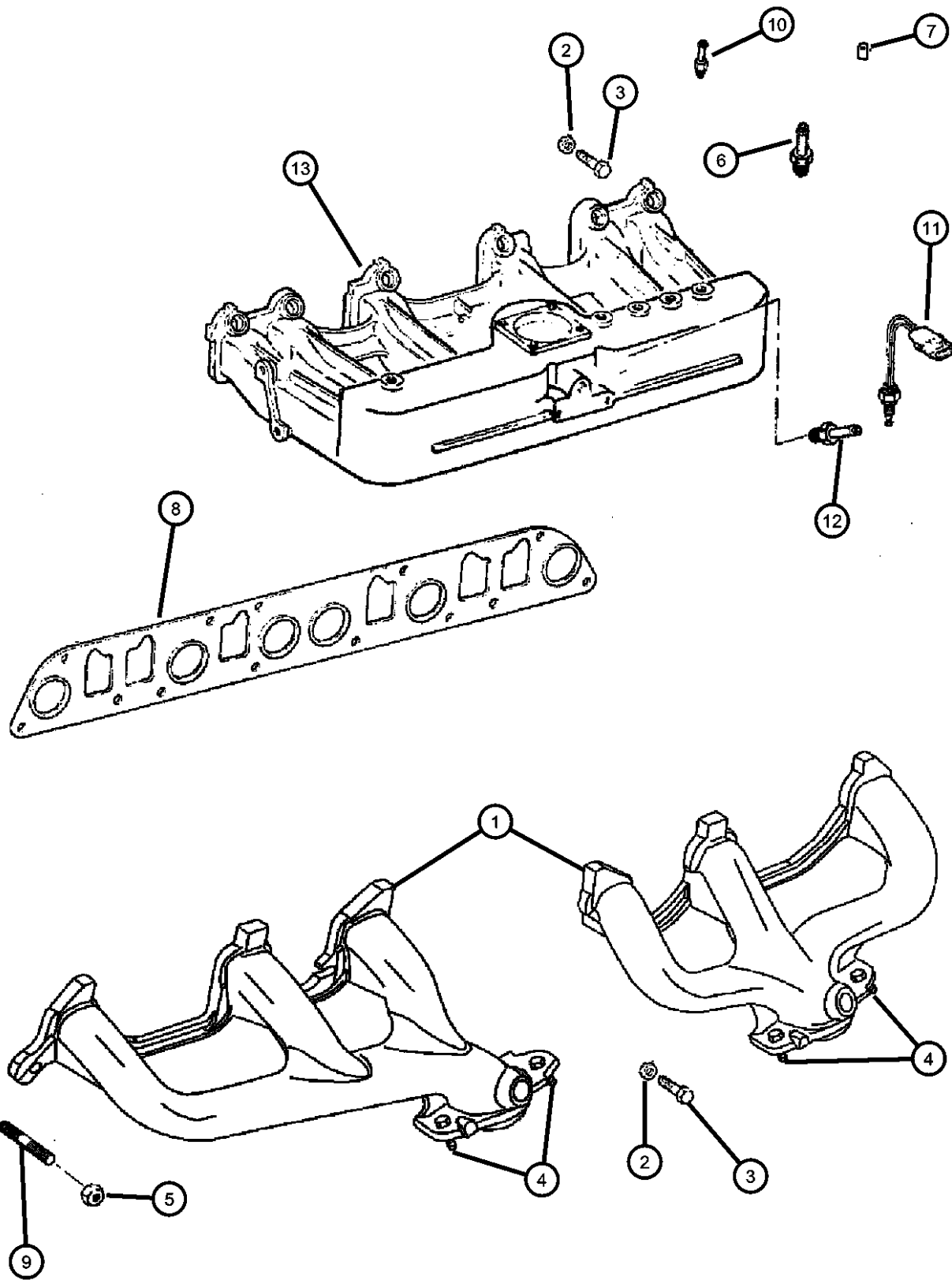
ENGINE
ENC = ENGINE - 2.5L 4 CYL TURBO DIESEL
EPE = ENGINE - 2.5L POWER TECH I-4 Cyl.
ERH = ENGINE - 4.0L POWER TECH I-6

TRANSMISSION
DDD = TRANSMISSION - 5-SPEED HD MANUAL
DDQ = TRANSMISSION - 5-SPEED MANUAL
DGD = TRANSMISSION - 3-SPD. AUTOMATIC,30RH
DGK = TRANSMISSION - 4-SPD. AUTOMATIC,42RE
DGS = TRANSMISSION-4SPD. AUTO,AISIN WARNER
DGT = TRANSMISSION - 4-SPD. AUTOMATIC,46RE
DGW = TRANSMISSION - 4-SPD. AUTOMATIC,44RE
DGX = TRANSMISSION - 4-SPEED AUTOMATIC
DBB = ALL MANUAL TRANSMISSIONS
DGO = ALL AUTOMATIC TRANSMISSIONS

AR = use ase required - = Non illustrated part

2000 XJ

**Manifold, Intake and Exhaust
Figure 4.0L-810**



ITEM	PART NUMBER	QTY	LINE	SERIES	BODY	ENGINE	TRANS	TRIM	DESCRIPTION
NOTE: ER0=All 4.0L Engines, EPO= All 2.5L Gas Engines									
1	53010196	1				ER0			MANIFOLD, Exhaust Front
	53010199	1				ER0			Rear
2	06036171AA	2				EPO, ER0			NUT AND WASHER
3	06036045AA	8				ER0			BOLT AND RETAINER, Hex Head
4	06505754AA	4				ER0			SCREW, Hex Head
5	06036171AA	2				EPO, ER0			NUT AND WASHER
6	06036171AA	2							FITTING, Vacuum, Serviced in Manifold, (NOT SERVICED)
7	03580172	1				ER0			CAP, Vacuum
8	04854038	1				ER0			GASKET, Intake/Exhaust Manifold
9	06036193AA	2				EPO, ER0			STUD, .375-16/.375-24x1.75
10	06036193AA	2							FITTING, Vacuum, Serviced in Manifold, (NOT SERVICED)
11	56027872	1				EPO, ER0			SENSOR, Air Temperature
12	04854194	1				ER0			FITTING, Vacuum
13	04854197AA	1				ER0			MANIFOLD, Intake

CHEROKEE (XJ)

SERIES
H = Sport
L = SE
P = Classic
S = Limited

LINE
T = JEEP - 2WD
B = JEEP - 2WD (RHD)
J = JEEP - 4WD
U = JEEP - 4WD (RHD)

BODY
74 = 4 Dr (101.4WB)
72 = 2 Dr (101.4WB)

ENGINE
ENC = ENGINE - 2.5L 4 CYL
TURBO DIESEL
EPE = ENGINE - 2.5L POWER
TECH I-4 Cyl.
ERH = ENGINE - 4.0L
POWER TECH I-6

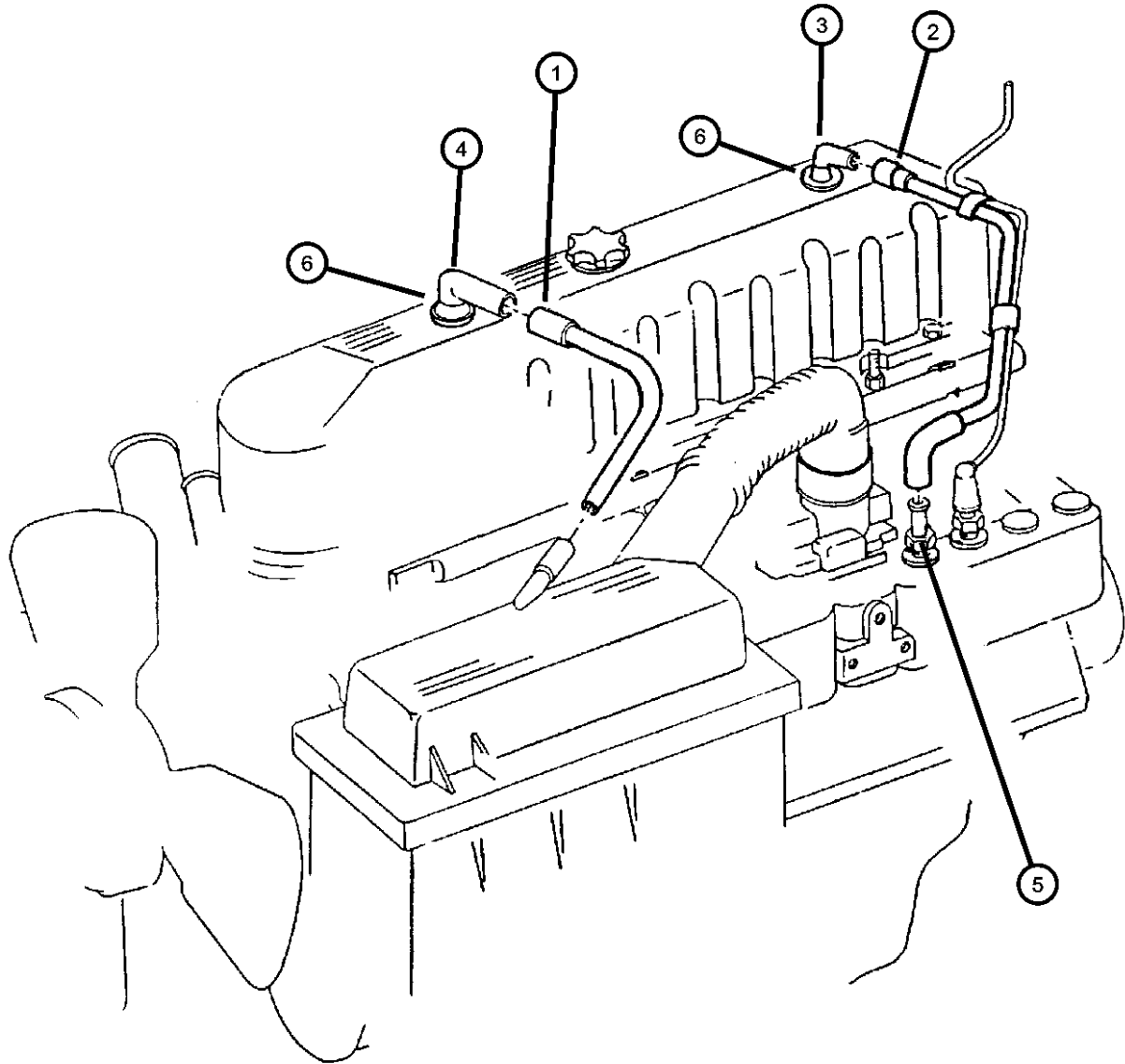
TRANSMISSION
DDD = TRANSMISSION - 5-SPEED
HD MANUAL
DDQ = TRANSMISSION - 5-SPEED
MANUAL
DGD = TRANSMISSION - 3-SPD.
AUTOMATIC,30RH
DGK = TRANSMISSION - 4-SPD.
AUTOMATIC,42RE
DGS = TRANSMISSION-4SPD.
AUTO,AISIN WARNER
DGT = TRANSMISSION - 4-SPD.
AUTOMATIC,46RE
DGW = TRANSMISSION - 4-SPD.
AUTOMATIC,44RE
DGX = TRANSMISSION - 4-SPEED
AUTOMATIC
DBB = ALL MANUAL
TRANSMISSIONS
DGO = ALL AUTOMATIC
TRANSMISSIONS

AR = use ase required - = Non illustrated part

2000 XJ

**Crankcase Ventilation
Figure 4.0L-910**

ITEM	PART NUMBER	QTY	LINE	SERIES	BODY	ENGINE	TRANS	TRIM	DESCRIPTION
NOTE: ER0=All 4.0L Engines									
1	04854180	1				ER0			TUBE, Cylinder Cover to A/CInr
2	04854265	1				ER0			TUBE, Crankcase Vent To Intake Manifold
3	53030495	1				ER0			TUBE, Crankcase Vent To Air Cleaner
4	53030991	1				ER0			FITTING, Crankcase Vent Tube
5	04854194	1				ER0			FITTING, Vacuum
6	02946079	2				ER0			GROMMET, Crankcase Vent



CHEROKEE (XJ)

SERIES	LINE	BODY	ENGINE	TRANSMISSION
H = Sport	T = JEEP - 2WD	74 = 4 Dr (101.4WB)	ENC = ENGINE - 2.5L 4 CYL TURBO DIESEL	DDD = TRANSMISSION - 5-SPEED HD MANUAL
L = SE	B = JEEP - 2WD (RHD)	72 = 2 Dr (101.4WB)	EPE = ENGINE - 2.5L POWER TECH I-4 Cyl.	DDQ = TRANSMISSION - 5-SPEED MANUAL
P = Classic	J = JEEP - 4WD		ERH = ENGINE - 4.0L POWER TECH I-6	DGD = TRANSMISSION - 3-SPD. AUTOMATIC,30RH
S = Limited	U = JEEP - 4WD (RHD)			DGK = TRANSMISSION - 4-SPD. AUTOMATIC,42RE
				DGS = TRANSMISSION-4SPD. AUTO,AISIN WARNER
				DGT = TRANSMISSION - 4-SPD. AUTOMATIC,46RE
				DGW = TRANSMISSION - 4-SPD. AUTOMATIC,44RE
				DGX = TRANSMISSION - 4-SPEED AUTOMATIC
				DBB = ALL MANUAL TRANSMISSIONS
				DGO = ALL AUTOMATIC TRANSMISSIONS

AR = use ase required - = Non illustrated part

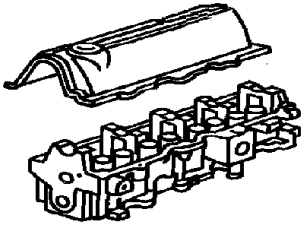
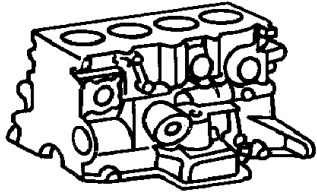
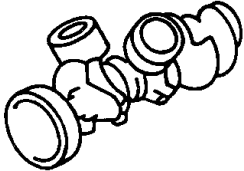
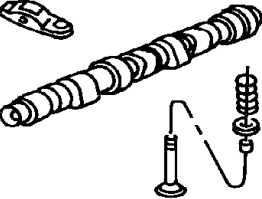
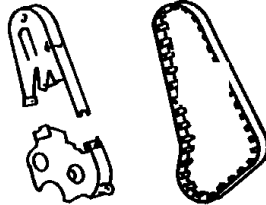
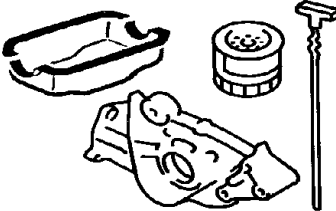
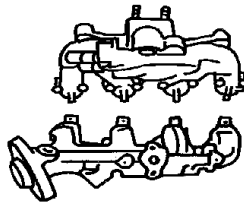
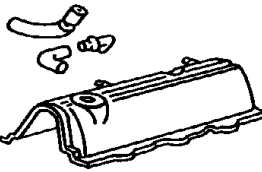
Group - 2.5LD

Engine 2.5L Four Cylinder (Turbo Diesel)

Group - 2.5LD Engine 2.5L Four Cylinder (Turbo Diesel)

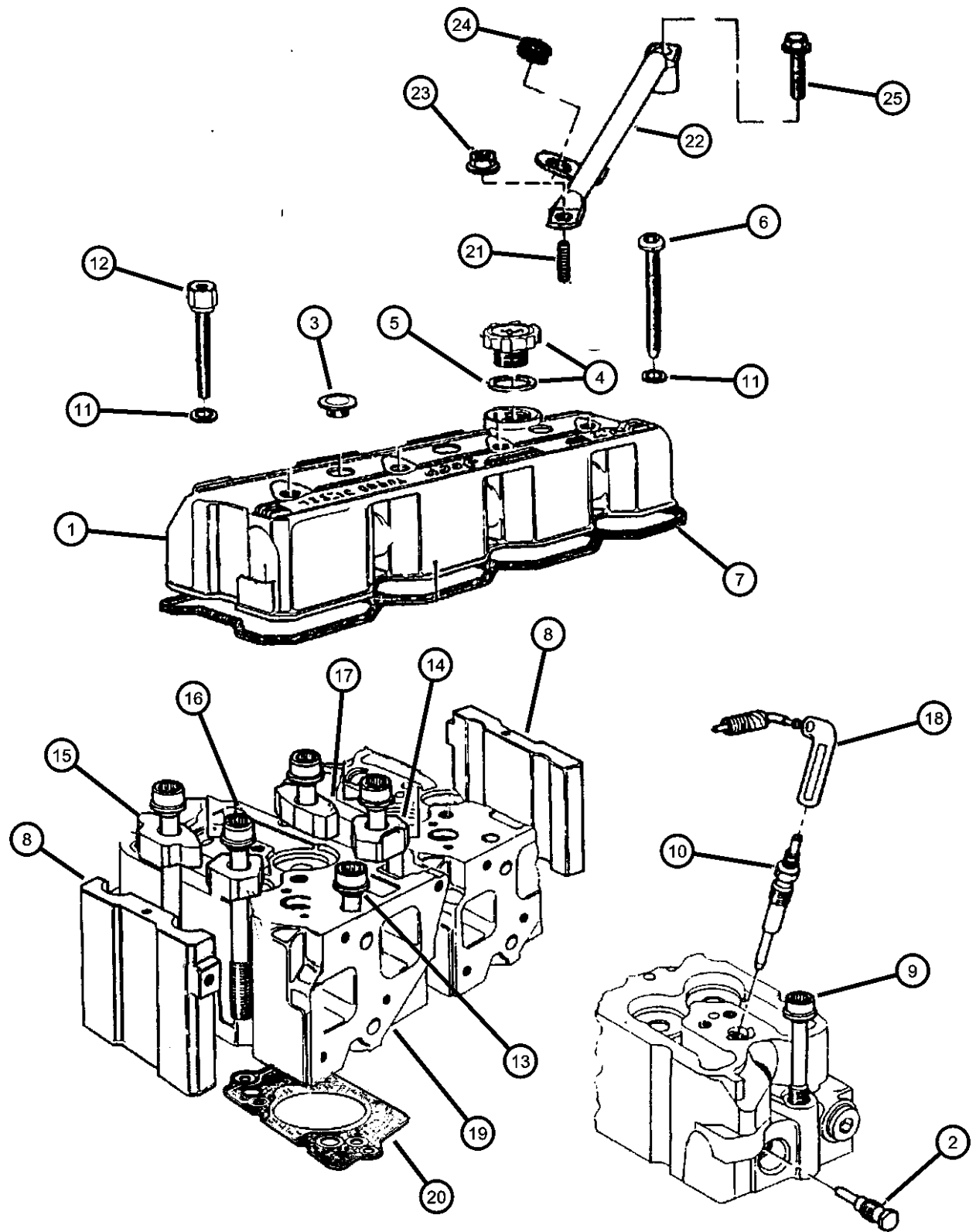
Group-Fig. No.

Illustration Title

<p>2.5LD-200 Cylinder Head</p> 	<p>2.5LD-300 Cylinder Block</p> 	<p>2.5LD-400 Crankshaft, Piston and Drive Plate</p> 	<p>2.5LD-500 Camshafts & Valves</p> 
<p>2.5LD-600 Timing Belt and Cover</p> 	<p>2.5LD-700 Engine Oiling</p> 	<p>2.5LD-800 Manifolds</p> 	<p>2.5LD-900 Crankcase Ventilation</p> 

Cylinder Head	
Cylinder Head	Fig. 2.5LD - 210
Cylinder Block	
Cylinder Block	Fig. 2.5LD - 310
Crankshaft, Piston and Drive Plate	
Crankshaft, Piston and Torque Converter	Fig. 2.5LD - 410
Camshafts & Valves	
Camshaft and Valves	Fig. 2.5LD - 510
Timing Belt and Cover	
Timing Cover	Fig. 2.5LD - 610
Engine Oiling	
Engine Oiling	Fig. 2.5LD - 710
Oil Lines	Fig. 2.5LD - 720
Manifolds	
Manifold, Intake and Exhaust	Fig. 2.5LD - 810
Crankcase Ventilation	
Crankcase Ventilation	Fig. 2.5LD - 910

Cylinder Head
Figure 2.5LD-210



ITEM	PART NUMBER	QTY	LINE	SERIES	BODY	ENGINE	TRANS	TRIM	DESCRIPTION
NOTE: EN0=All 2.5L Diesel Engines									
1	04864747	1				EN0			COVER, Cylinder Head
2	04863770	4				EN0			PLUG, Dummy
3	04864555	3				EN0			PLUG, Cylinder Block
4	04863741	1				EN0			CAP, Oil Filler
5	04720300	1				EN0			GASKET, Oil Filler Cap
6	05003565AA	2				EN0			BOLT
7	04863789AC	1				EN0			GASKET, Valve Cover
8	04882407	2				EN0			CLAMP, Cylinder Head
9	04720671AB	4				EN0			BOLT, Cylinder Head
10	04863826	4				EN0			GLOW PLUG
11	04864554	4				EN0			SEAL, Valve Cover Bolt
12	04863752	2				EN0			SCREW
13	04720233AB	4				EN0			BOLT, Cylinder Head
14	04864038	5				EN0			CLAMP, Cylinder Head
15	04864039	2				EN0			CLAMP, Cylinder Head
16	04720235AC	10				EN0			BOLT, Cylinder Head
17	04864040	3				EN0			CLAMP, Cylinder Head
18	04864557	1				EN0			WIRING, Glow Plug
19	04883416AB	4				EN0			HEAD, Cylinder
20									GASKET, Cylinder Head
	05014059AA	1				EN0			1.42
	05014060AA	1				EN0			1.52
	05014061AA	1				EN0			1.62
21	04864745	1				EN0			BOLT

CHEROKEE (XJ)

SERIES LINE
H = Sport T = JEEP - 2WD
L = SE B = JEEP - 2WD (RHD)
P = Classic J = JEEP - 4WD
S = Limited U = JEEP - 4WD (RHD)

BODY
74 = 4 Dr (101.4WB)
72 = 2 Dr (101.4WB)

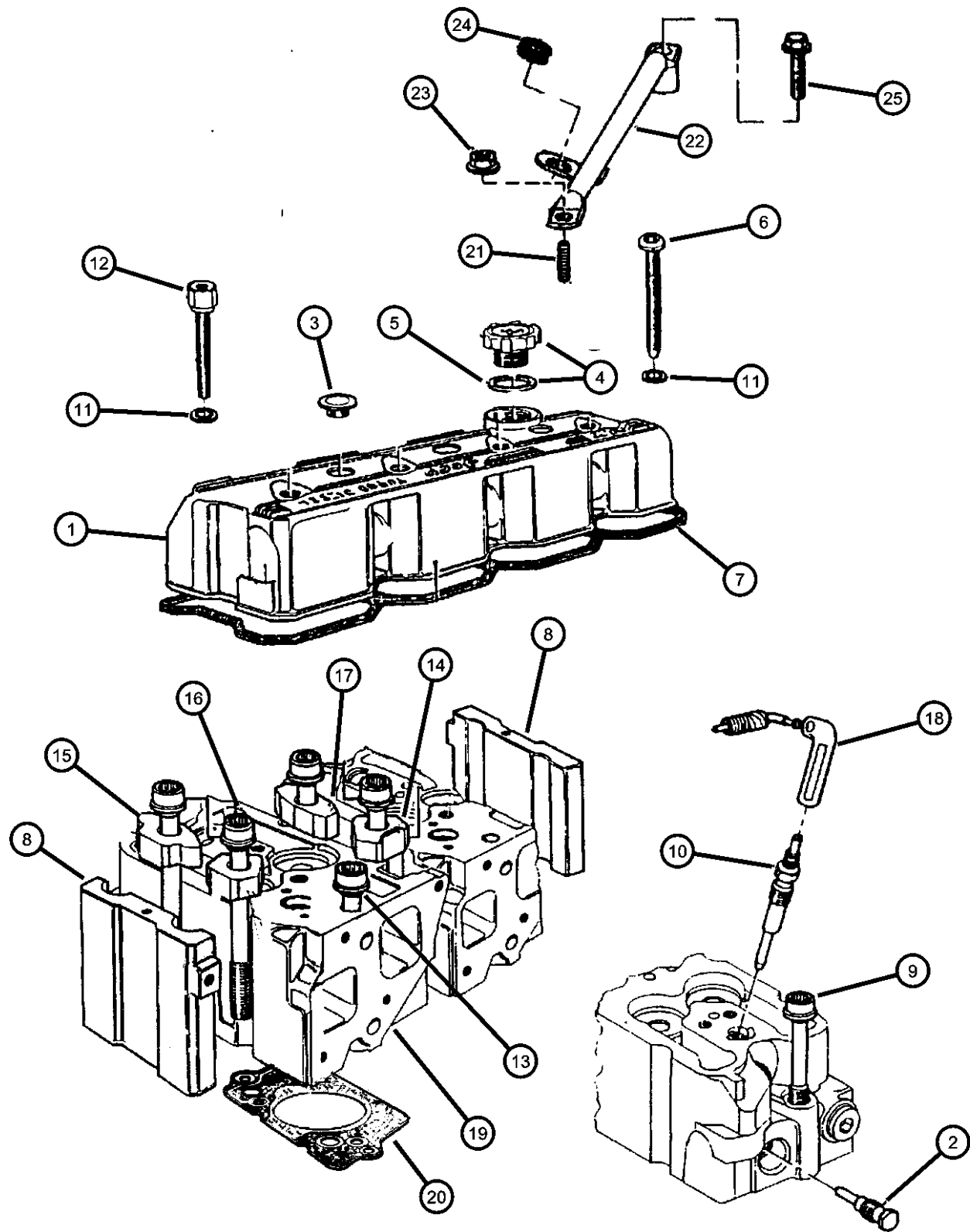
ENGINE
ENC = ENGINE - 2.5L 4 CYL
TURBO DIESEL
EPE = ENGINE - 2.5L POWER
TECH I-4 Cyl.
ERH = ENGINE - 4.0L
POWER TECH I-6

TRANSMISSION
DDD = TRANSMISSION - 5-SPEED
HD MANUAL
DDQ = TRANSMISSION - 5-SPEED
MANUAL
DGD = TRANSMISSION - 3-SPD.
AUTOMATIC,30RH
DGK = TRANSMISSION - 4-SPD.
AUTOMATIC,42RE
DGS = TRANSMISSION-4SPD.
AUTO,AISIN WARNER
DGT = TRANSMISSION - 4-SPD.
AUTOMATIC,46RE
DGW = TRANSMISSION - 4-SPD.
AUTOMATIC,44RE
DGX = TRANSMISSION - 4-SPEED
AUTOMATIC
DBB = ALL MANUAL
TRANSMISSIONS
DGO = ALL AUTOMATIC
TRANSMISSIONS

AR = use ase required - = Non illustrated part

2000 XJ

Cylinder Head
Figure 2.5LD-210



ITEM	PART NUMBER	QTY	LINE	SERIES	BODY	ENGINE	TRANS	TRIM	DESCRIPTION
22	04864746	1				EN0			BRACKET, Alternator Upper
23	04778936	1				EN0			NUT, Suction Pipe Attaching
24	04720362	1				EN0			GASKET, Engine Oil Indicator Pipe
25	04864537	1				EN0			BOLT, 8Mx20

CHEROKEE (XJ)

SERIES	LINE
H = Sport	T = JEEP - 2WD
L = SE	B = JEEP - 2WD (RHD)
P = Classic	J = JEEP - 4WD
S = Limited	U = JEEP - 4WD (RHD)

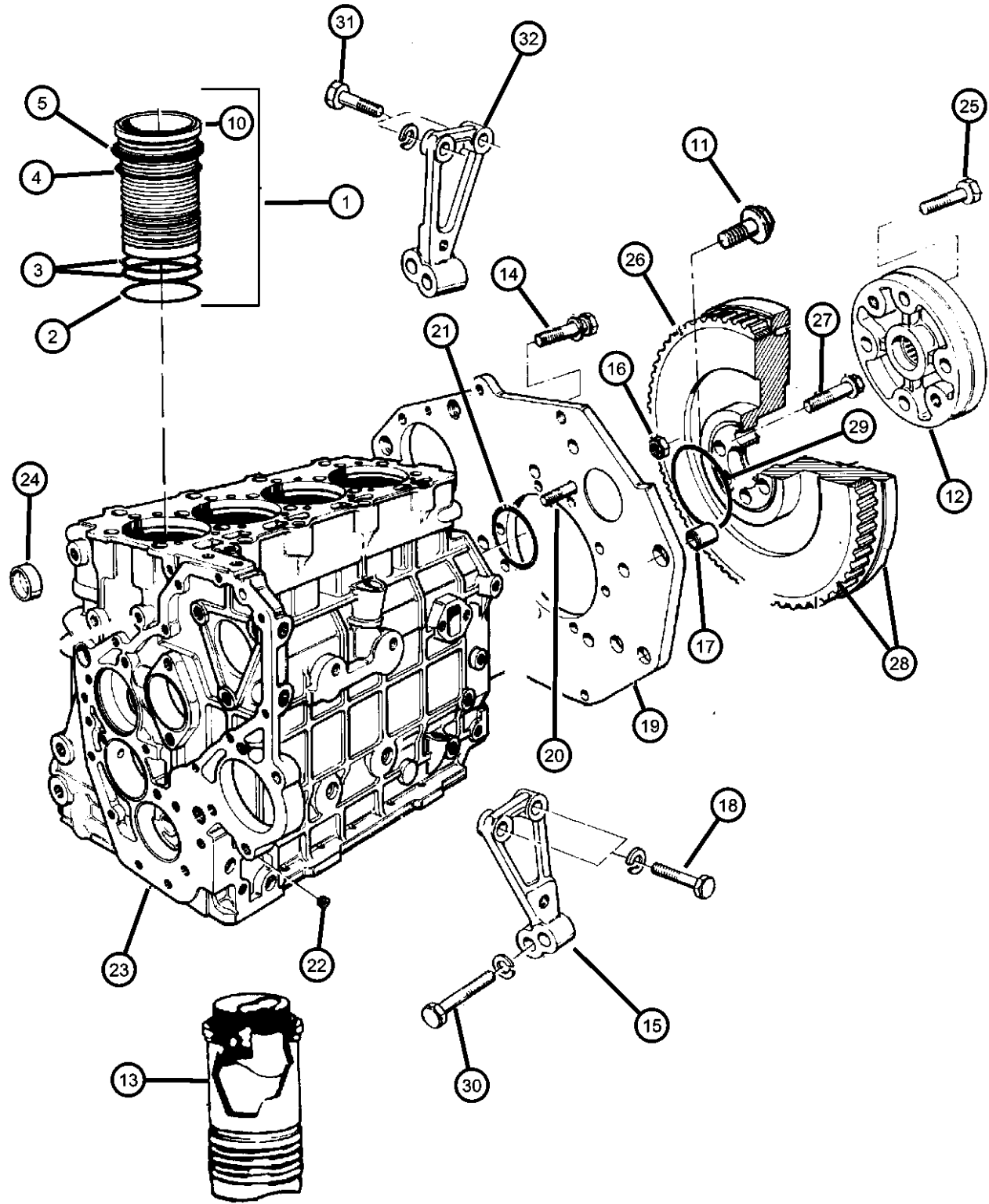
BODY
74 = 4 Dr (101.4WB)
72 = 2 Dr (101.4WB)

ENGINE
ENC = ENGINE - 2.5L 4 CYL TURBO DIESEL
EPE = ENGINE - 2.5L POWER TECH I-4 Cyl.
ERH = ENGINE - 4.0L POWER TECH I-6

TRANSMISSION
DDD = TRANSMISSION - 5-SPEED HD MANUAL
DDQ = TRANSMISSION - 5-SPEED MANUAL
DGD = TRANSMISSION - 3-SPD. AUTOMATIC,30RH
DGK = TRANSMISSION - 4-SPD. AUTOMATIC,42RE
DGS = TRANSMISSION-4SPD. AUTO,AISIN WARNER
DGT = TRANSMISSION - 4-SPD. AUTOMATIC,46RE
DGW = TRANSMISSION - 4-SPD. AUTOMATIC,44RE
DGX = TRANSMISSION - 4-SPEED AUTOMATIC
DBB = ALL MANUAL TRANSMISSIONS
DGO = ALL AUTOMATIC TRANSMISSIONS

AR = use ase required - = Non illustrated part

Cylinder Block
Figure 2.5LD-310



ITEM	PART NUMBER	QTY	LINE	SERIES	BODY	ENGINE	TRANS	TRIM	DESCRIPTION
------	-------------	-----	------	--------	------	--------	-------	------	-------------

Note: 3/4 Engine - 05014068AA, Up To 9-9-99
 3/4 Engine - 05014068AB, After 9-9-99,
 ENO= All 2.5L Diesel Engines

1	04723118	4				ENO			SHIM KIT, Cylinder Liner
2	04720625	4				ENO			O RING, Cylinder Liner
3	04720627	8				ENO			O RING, Cylinder Liner
4	04720626	4				ENO			O RING, Cylinder Liner
5	04720620	4				ENO			SHIM, Cylinder Liner, 0.15mm
-6	04720624	4				ENO			SHIM, Cylinder Liner, 0.17mm
-7	04720621	4				ENO			SHIM, Cylinder Liner, 0.20mm
-8	04720623	4				ENO			SHIM, Cylinder Liner, 0.23mm
-9	04720622	4				ENO			SHIM, Cylinder Liner, 0.25mm
10									LINER, Cylinder
	04720611	4				ENO			Up To 9-9-99
	05014328AA	4				ENO			After 9-9-99
11	04864537	1				ENO			BOLT, 8Mx20
12	04778808	1				ENO			HOUSING, Pilot Bearing
13									LINER AND PISTON, Cylinder
	04864532	4				ENO			Up To 9-9-99
	05014329AA	4				ENO			After 9-9-99
14	05003532AA	4				ENO			BOLT, Adaptor Plate
15	04778806	1				ENO			STIFFENER, Flywheel Housing
16	04778961	6				ENO			NUT
17	04797758	2				ENO			DOWEL, Transmission Adapter
18	05003533AA	2				ENO			BOLT, M10x45
19	04886254AA	1				ENO			HOUSING, Flywheel

CHEROKEE (XJ)

SERIES	LINE
H = Sport	T = JEEP - 2WD
L = SE	B = JEEP - 2WD (RHD)
P = Classic	J = JEEP - 4WD
S = Limited	U = JEEP - 4WD (RHD)

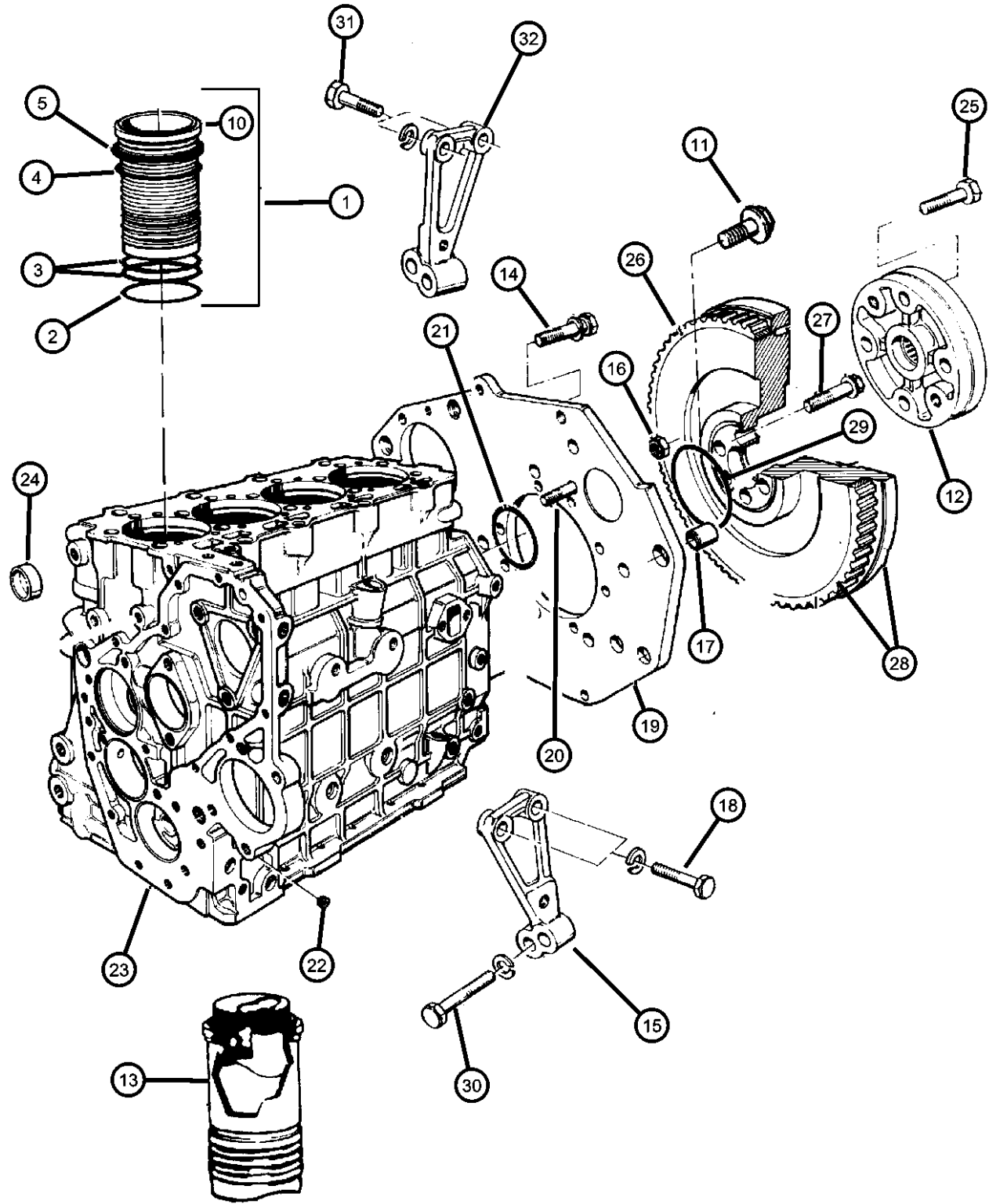
BODY
74 = 4 Dr (101.4WB)
72 = 2 Dr (101.4WB)

ENGINE	TRANSMISSION
ENC = ENGINE - 2.5L 4 CYL TURBO DIESEL	DDD = TRANSMISSION - 5-SPEED HD MANUAL
EPE = ENGINE - 2.5L POWER TECH I-4 Cyl.	DDQ = TRANSMISSION - 5-SPEED MANUAL
ERH = ENGINE - 4.0L POWER TECH I-6	DGD = TRANSMISSION - 3-SPD. AUTOMATIC, 30RH
	DGK = TRANSMISSION - 4-SPD. AUTOMATIC, 42RE
	DGS = TRANSMISSION-4SPD. AUTO, AISIN WARNER
	DGT = TRANSMISSION - 4-SPD. AUTOMATIC, 46RE
	DGW = TRANSMISSION - 4-SPD. AUTOMATIC, 44RE
	DGX = TRANSMISSION - 4-SPEED AUTOMATIC
	DBB = ALL MANUAL TRANSMISSIONS
	DGO = ALL AUTOMATIC TRANSMISSIONS

AR = use ase required - = Non illustrated part

2000 XJ

Cylinder Block
Figure 2.5LD-310



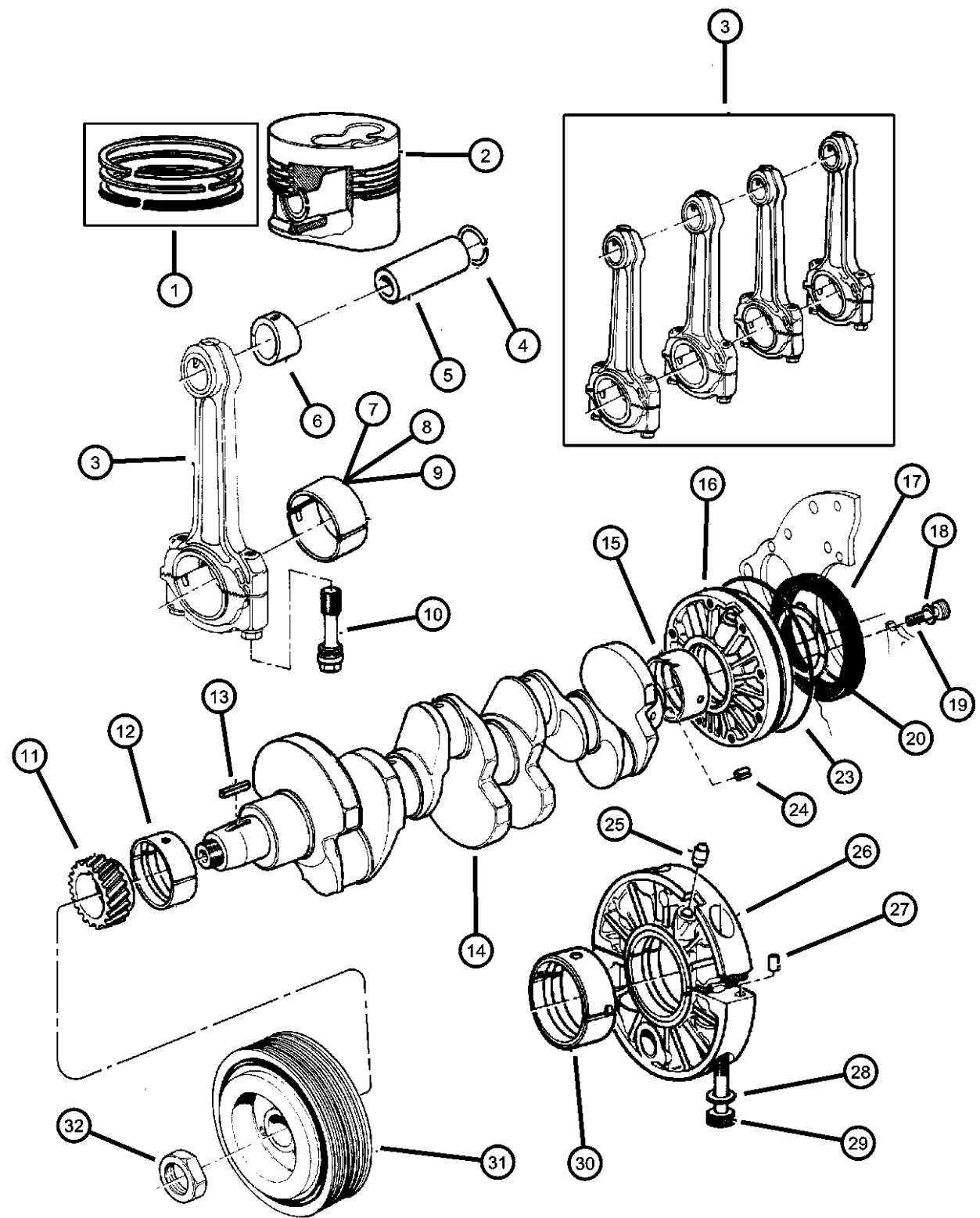
ITEM	PART NUMBER	QTY	LINE	SERIES	BODY	ENGINE	TRANS	TRIM	DESCRIPTION
20	04720677	6				ENO			STUD, Adaptor Plate
21	04863833	1				ENO			O RING
22	04883425AA	1				ENO			PLUG
23	04883425AA	1							BLOCK, Cylinder, (NOT SERVICED)
24	04778887	1				ENO			PLUG, Cylinder Block Oil Hole
25	04864534	4				ENO			BOLT, Adaptor Plate
26	04883427AA	1				ENO			GEAR, Ring
27	04720232AB	6				ENO			BOLT, Flywheel
28	04883426AA	1				ENO			FLYWHEEL
29	04720240	1				ENO			O RING, Flywheel To Crankshaft
30	05003534AA	2				ENO			BOLT, M12x55
31	04897253AA	2				ENO			BOLT, Hex Flange Head, M10x35
32	04796394	1				ENO			STIFFENER, Flywheel Housing

CHEROKEE (XJ)

SERIES	LINE	BODY	ENGINE	TRANSMISSION
H = Sport	T = JEEP - 2WD	74 = 4 Dr (101.4WB)	ENC = ENGINE - 2.5L 4 CYL TURBO DIESEL	DDD = TRANSMISSION - 5-SPEED HD MANUAL
L = SE	B = JEEP - 2WD (RHD)	72 = 2 Dr (101.4WB)	EPE = ENGINE - 2.5L POWER TECH I-4 Cyl.	DDQ = TRANSMISSION - 5-SPEED MANUAL
P = Classic	J = JEEP - 4WD		ERH = ENGINE - 4.0L POWER TECH I-6	DGD = TRANSMISSION - 3-SPD. AUTOMATIC,30RH
S = Limited	U = JEEP - 4WD (RHD)			DGK = TRANSMISSION - 4-SPD. AUTOMATIC,42RE
				DGS = TRANSMISSION-4SPD. AUTO,AISIN WARNER
				DGT = TRANSMISSION - 4-SPD. AUTOMATIC,46RE
				DGW = TRANSMISSION - 4-SPD. AUTOMATIC,44RE
				DGX = TRANSMISSION - 4-SPEED AUTOMATIC
				DBB = ALL MANUAL TRANSMISSIONS
				DGO = ALL AUTOMATIC TRANSMISSIONS

AR = use ase required - = Non illustrated part

Crankshaft, Piston and Torque Converter
Figure 2.5LD-410



ITEM	PART NUMBER	QTY	LINE	SERIES	BODY	ENGINE	TRANS	TRIM	DESCRIPTION
------	-------------	-----	------	--------	------	--------	-------	------	-------------

NOTE: EN0=All 2.5L Diesel Engines

1									RING KIT, Piston, Standard
	04720084	4				EN0			Up To 9-9-99
	05014333AA	4				EN0			After 9-9-99
2									PISTON
	04864190	4				EN0			Up To 9-9-99
	05014332AA	4				EN0			After 9-9-99
3									ROD, Connecting
	04723122	1				EN0			Up To 9-9-99
	05014330AA	1				EN0			After 9-9-99
4	04720099	8				EN0			RING, Piston Pin
5	04720099	8							PIN, Piston, Serviced in Piston, (NOT SERVICED)
6									BUSHING, Connecting Rod
	04723160	4				EN0			Up To 9-9-99
	05014331AA	4				EN0			After 9-9-99
7	04720877	4				EN0			BUSHING, Connecting Rod
8	04720882	4				EN0			BEARING, Connecting Rod, .010" U/S, Up To 9-9-99
9	04720883	AR				EN0			BEARING, Connecting Rod, .25 mm U/S
10	04883386AB	8				EN0			BOLT, Connecting Rod
11	04882402	1				EN0			GEAR, Crankshaft
12									BEARING, Crankshaft
	04720885	1				EN0			Standard
	04720886	1				EN0			.125mm, Up To 9-9-99
	04720887	AR				EN0			.250mm

CHEROKEE (XJ)

SERIES	LINE
H = Sport	T = JEEP - 2WD
L = SE	B = JEEP - 2WD (RHD)
P = Classic	J = JEEP - 4WD
S = Limited	U = JEEP - 4WD (RHD)

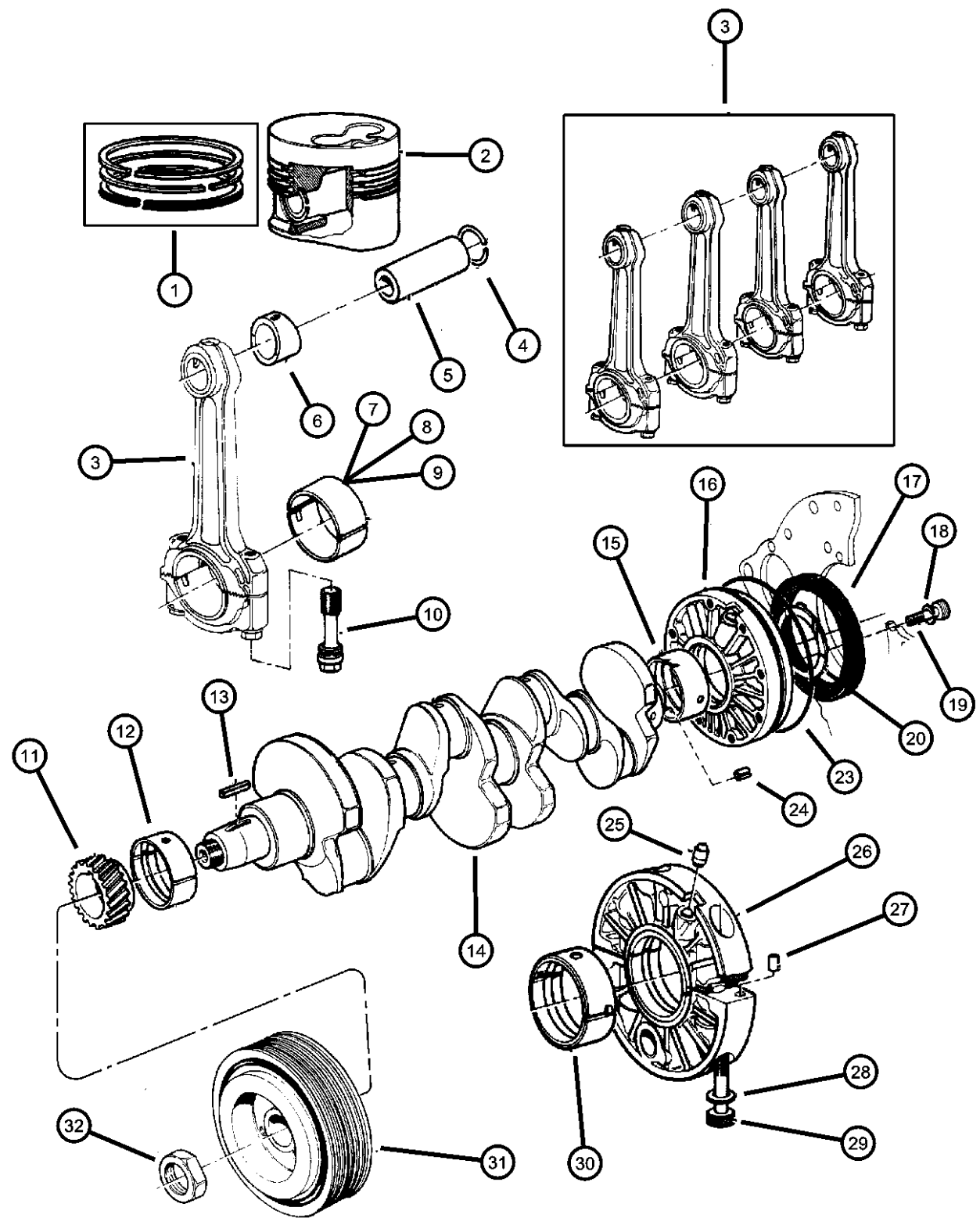
BODY
74 = 4 Dr (101.4WB)
72 = 2 Dr (101.4WB)

ENGINE	TRANSMISSION
ENC = ENGINE - 2.5L 4 CYL TURBO DIESEL	DDD = TRANSMISSION - 5-SPEED HD MANUAL
EPE = ENGINE - 2.5L POWER TECH I-4 Cyl.	DDQ = TRANSMISSION - 5-SPEED MANUAL
ERH = ENGINE - 4.0L POWER TECH I-6	DGD = TRANSMISSION - 3-SPD. AUTOMATIC,30RH
	DGK = TRANSMISSION - 4-SPD. AUTOMATIC,42RE
	DGS = TRANSMISSION-4SPD. AUTO,AISIN WARNER
	DGT = TRANSMISSION - 4-SPD. AUTOMATIC,46RE
	DGW = TRANSMISSION - 4-SPD. AUTOMATIC,44RE
	DGX = TRANSMISSION - 4-SPEED AUTOMATIC
	DBB = ALL MANUAL TRANSMISSIONS
	DGO = ALL AUTOMATIC TRANSMISSIONS

AR = use ase required - = Non illustrated part

2000 XJ

**Crankshaft, Piston and Torque Converter
Figure 2.5LD-410**



ITEM	PART NUMBER	QTY	LINE	SERIES	BODY	ENGINE	TRANS	TRIM	DESCRIPTION
13	05003529AA	1				ENO			KEY, Crankshaft Sprocket
14	04864538	1				ENO			CRANKSHAFT
15									BEARING, Crankshaft
	04864539	1				ENO			Standard
	04864540	1				ENO			.125mm, Up To 9-9-99
	04864541	AR				ENO			.250mm
16									HOUSING, Rear Bearing
	04864542AB	1				ENO			Up To 9-9-99
	04864676AB	1				ENO			After 9-9-99
17	05010817AA	1				ENO			SEAL, Rear Main Crankshaft
18	04723204	8				ENO			WASHER, Implement Attaching
19	04720284	8				ENO			SCREW, Rear Crankshaft Support
20	04864046	1				ENO			WASHER, Thrust
-21	04864543	AR				ENO			WASHER, Thrust, 0.10 Oversize
-22	04864544	AR				ENO			WASHER, Thrust, 0.20 Oversize
23	04720277	1				ENO			O RING, Crankshaft Rear Support
24	04723158AB	1				ENO			PIN, Dowel
25	04720246AB	3				ENO			JET, Piston Oil Cooler, Up To 9-9-99
26									HOUSING, Crankshaft Bearing
	04723161	3				ENO			Up To 9-9-99
	04863711	3				ENO			After 9-9-99
27	04720241	6				ENO			DOWEL, Center Bearing Housing
28	04720243	6				ENO			WASHER, Lock, M10
29	04720242	6				ENO			SCREW

CHEROKEE (XJ)

SERIES	LINE
H = Sport	T = JEEP - 2WD
L = SE	B = JEEP - 2WD (RHD)
P = Classic	J = JEEP - 4WD
S = Limited	U = JEEP - 4WD (RHD)

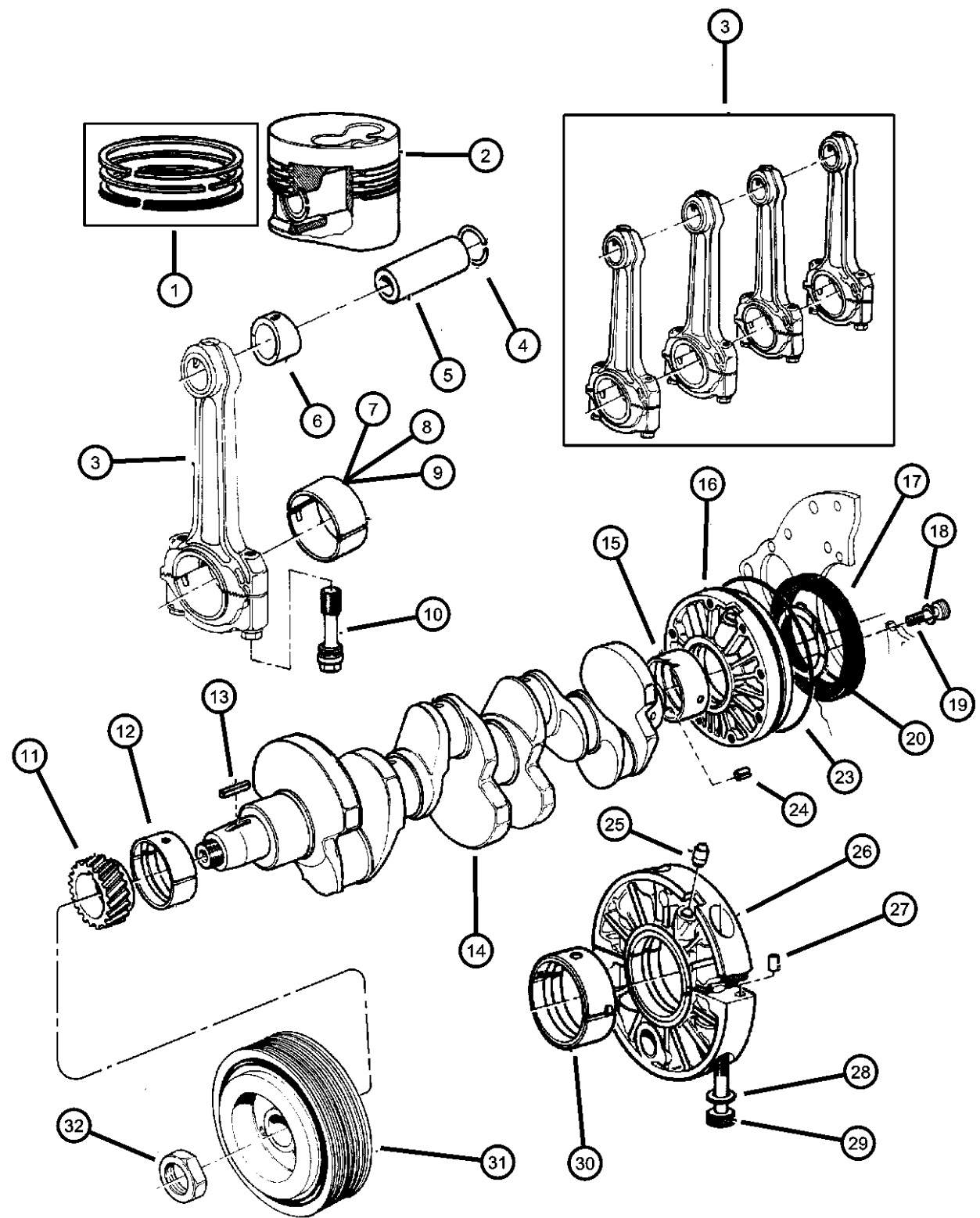
BODY
74 = 4 Dr (101.4WB)
72 = 2 Dr (101.4WB)

ENGINE
ENC = ENGINE - 2.5L 4 CYL TURBO DIESEL
EPE = ENGINE - 2.5L POWER TECH I-4 Cyl.
ERH = ENGINE - 4.0L POWER TECH I-6

TRANSMISSION
DDD = TRANSMISSION - 5-SPEED HD MANUAL
DDQ = TRANSMISSION - 5-SPEED MANUAL
DGD = TRANSMISSION - 3-SPD. AUTOMATIC,30RH
DGK = TRANSMISSION - 4-SPD. AUTOMATIC,42RE
DGS = TRANSMISSION-4SPD. AUTO,AISIN WARNER
DGT = TRANSMISSION - 4-SPD. AUTOMATIC,46RE
DGW = TRANSMISSION - 4-SPD. AUTOMATIC,44RE
DGX = TRANSMISSION - 4-SPEED AUTOMATIC
DBB = ALL MANUAL TRANSMISSIONS
DGO = ALL AUTOMATIC TRANSMISSIONS

AR = use ase required - = Non illustrated part

Crankshaft, Piston and Torque Converter
Figure 2.5LD-410



ITEM	PART NUMBER	QTY	LINE	SERIES	BODY	ENGINE	TRANS	TRIM	DESCRIPTION
30	04720889	3				ENO			BEARING, Crankshaft Standard
	04720890	3				ENO			.125mm, Up To 9-9-99
	04720892	AR				ENO			.250mm
31	04886225AA	1				ENO			DAMPER, Crankshaft
32	04720273	1				ENO			NUT, Damper Pulley

CHEROKEE (XJ)

SERIES	LINE
H = Sport	T = JEEP - 2WD
L = SE	B = JEEP - 2WD (RHD)
P = Classic	J = JEEP - 4WD
S = Limited	U = JEEP - 4WD (RHD)

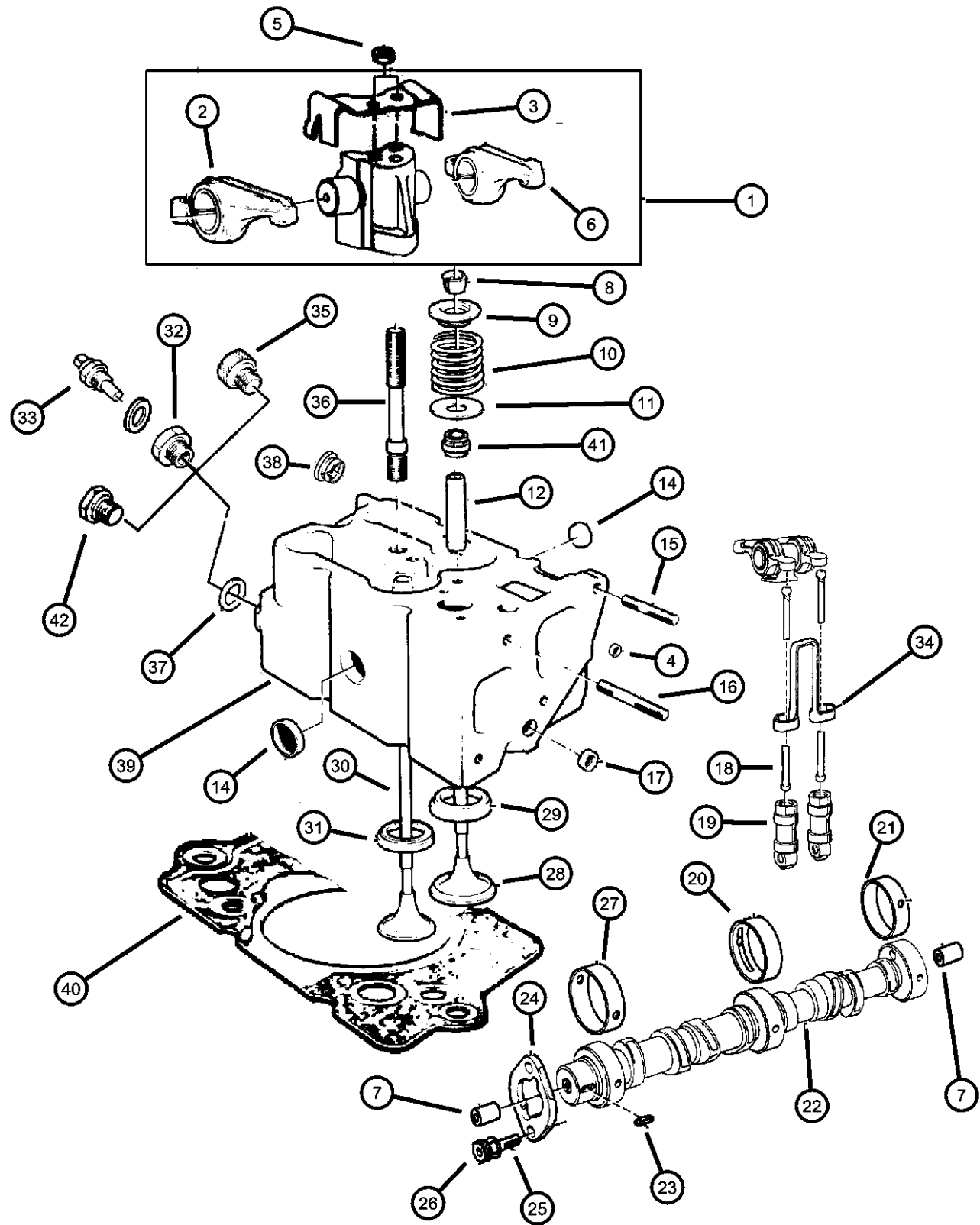
BODY
74 = 4 Dr (101.4WB)
72 = 2 Dr (101.4WB)

ENGINE
ENC = ENGINE - 2.5L 4 CYL TURBO DIESEL
EPE = ENGINE - 2.5L POWER TECH I-4 Cyl.
ERH = ENGINE - 4.0L POWER TECH I-6

TRANSMISSION
DDD = TRANSMISSION - 5-SPEED HD MANUAL
DDQ = TRANSMISSION - 5-SPEED MANUAL
DGD = TRANSMISSION - 3-SPD. AUTOMATIC,30RH
DGK = TRANSMISSION - 4-SPD. AUTOMATIC,42RE
DGS = TRANSMISSION-4SPD. AUTO,AISIN WARNER
DGT = TRANSMISSION - 4-SPD. AUTOMATIC,46RE
DGW = TRANSMISSION - 4-SPD. AUTOMATIC,44RE
DGX = TRANSMISSION - 4-SPEED AUTOMATIC
DBB = ALL MANUAL TRANSMISSIONS
DGO = ALL AUTOMATIC TRANSMISSIONS

AR = use ase required - = Non illustrated part

Camshaft and Valves
Figure 2.5LD-510



ITEM	PART NUMBER	QTY	LINE	SERIES	BODY	ENGINE	TRANS	TRIM	DESCRIPTION
------	-------------	-----	------	--------	------	--------	-------	------	-------------

NOTE: EN0=All 2.5L Diesel Engines

1	04883397AA	4				EN0			ROCKER ARM, Inlet and Exhaust Valve
2	04883399AA	4				EN0			ROCKER ARM, Exhaust
3	04863861	4				EN0			SPRING, Valve
4	04723196AB	2				EN0			PLUG, Camshaft
5	04883396AA	8				EN0			NUT
6	04883398AA	4				EN0			ROCKER ARM, Intake
7	04723196AB	2				EN0			PLUG, Camshaft
8	04720155	16				EN0			LOCK, Valve Spring Retainer
9	04720152	8				EN0			RETAINER, Valve Spring
10	04720158	8				EN0			SPRING, Valve
11	04720153	8				EN0			WASHER, Plain
12	04883417AA	8				EN0			GUIDE, Intake/Exhaust Valve, Standard Size
-13	04883820AA	AR				EN0			GUIDE, Intake/Exhaust Valve, 0.10mm Oversize
14	04723228	8				EN0			PLUG, Cylinder Block Oil Hole
15	04723241	3				EN0			STUD
16	04882405	8				EN0			STUD
17	04723210	4				EN0			PLUG, Cylinder Block Oil Hole
18	04883395AA	8				EN0			PUSH ROD, Valve
19	04773712	8				EN0			TAPPET, Valve
20	04720220	1				EN0			BEARING, Camshaft
21	04720219	1				EN0			BEARING, Camshaft
22	04882399	1				EN0			CAMSHAFT, Engine
23	04720137	1				EN0			KEY, Camshaft Sprocket

CHEROKEE (XJ)

SERIES	LINE
H = Sport	T = JEEP - 2WD
L = SE	B = JEEP - 2WD (RHD)
P = Classic	J = JEEP - 4WD
S = Limited	U = JEEP - 4WD (RHD)

BODY
74 = 4 Dr (101.4WB)
72 = 2 Dr (101.4WB)

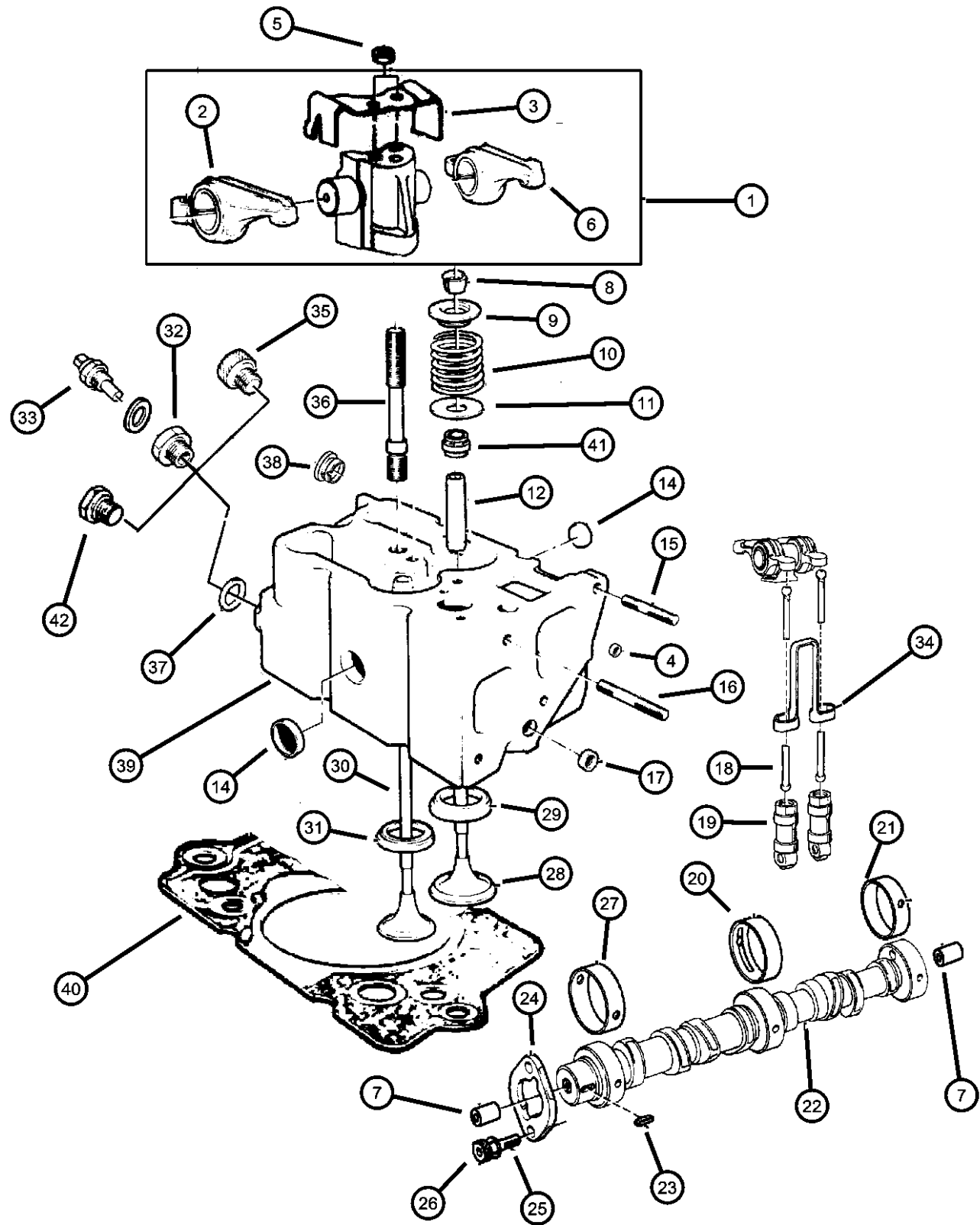
ENGINE
ENC = ENGINE - 2.5L 4 CYL TURBO DIESEL
EPE = ENGINE - 2.5L POWER TECH I-4 Cyl.
ERH = ENGINE - 4.0L POWER TECH I-6

TRANSMISSION
DDD = TRANSMISSION - 5-SPEED HD MANUAL
DDQ = TRANSMISSION - 5-SPEED MANUAL
DGD = TRANSMISSION - 3-SPD. AUTOMATIC,30RH
DGK = TRANSMISSION - 4-SPD. AUTOMATIC,42RE
DGS = TRANSMISSION-4SPD. AUTO,AISIN WARNER
DGT = TRANSMISSION - 4-SPD. AUTOMATIC,46RE
DGW = TRANSMISSION - 4-SPD. AUTOMATIC,44RE
DGX = TRANSMISSION - 4-SPEED AUTOMATIC
DBB = ALL MANUAL TRANSMISSIONS
DGO = ALL AUTOMATIC TRANSMISSIONS

AR = use ase required - = Non illustrated part

2000 XJ

Camshaft and Valves
Figure 2.5LD-510



ITEM	PART NUMBER	QTY	LINE	SERIES	BODY	ENGINE	TRANS	TRIM	DESCRIPTION
24	04723163	1				ENO			PLATE, Camshaft Thrust
25	04723165	2				ENO			WASHER, P Clip
26	04720135	5				ENO			BOLT, Hex Head, M8x18
27	05010274AA	1				ENO			BEARING, Camshaft
28	04720146	4				ENO			VALVE, Intake, Standard
29	04723245	4				ENO			SEAT, Intake Valve, 0.30mm Oversize
30	04720148	4				ENO			VALVE, Exhaust, Standard
31	04723244	4				ENO			SEAT, Exhaust Valve, 0.30mm Oversize
32	05014065AA	2				ENO			ADAPTER, Temperature Sensor
33	05014067AA	2				ENO			SENSOR, Temperature Sending Unit
34	04773701	4				ENO			BRACKET, Antirotation
35	04720159	1				ENO			PLUG, Cylinder Block Oil Hole
36	04897831AA	8				ENO			STUD
37	04723246	4				ENO			WASHER, Plain
38	04863769	4				ENO			PLUG
39	04883416AB	4				ENO			HEAD, Cylinder
40									GASKET, Cylinder Head
	05014059AA	1				ENO			1.42
	05014060AA	1				ENO			1.52
	05014061AA	1				ENO			1.62
41	04883821AA	8				ENO			SEAL, Valve Guide
42	04864606	1				ENO			PLUG

CHEROKEE (XJ)

SERIES LINE
H = Sport T = JEEP - 2WD
L = SE B = JEEP - 2WD (RHD)
P = Classic J = JEEP - 4WD
S = Limited U = JEEP - 4WD (RHD)

BODY
74 = 4 Dr (101.4WB)
72 = 2 Dr (101.4WB)

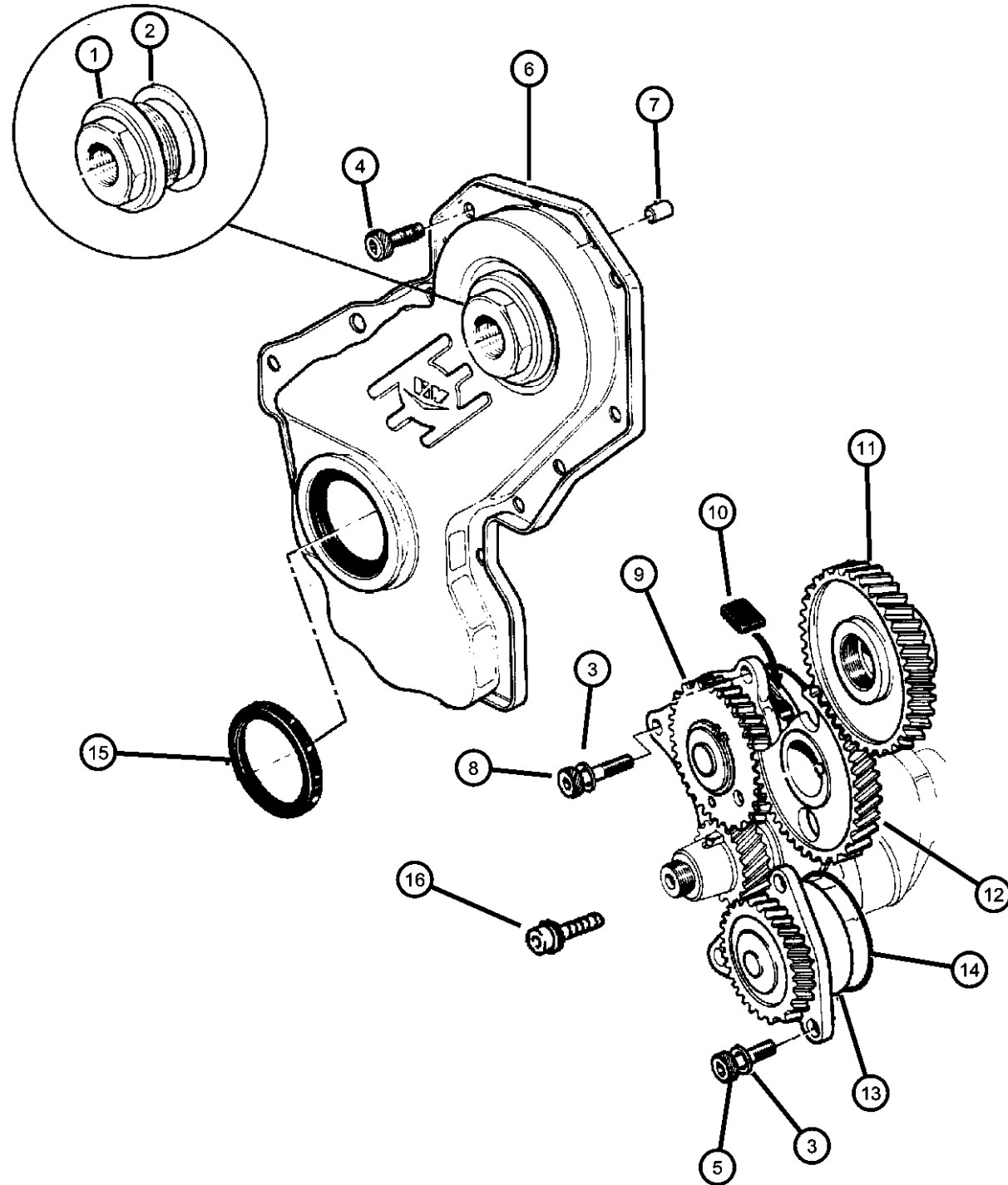
ENGINE
ENC = ENGINE - 2.5L 4 CYL
TURBO DIESEL
EPE = ENGINE - 2.5L POWER
TECH I-4 Cyl.
ERH = ENGINE - 4.0L
POWER TECH I-6

TRANSMISSION
DDD = TRANSMISSION - 5-SPEED
HD MANUAL
DDQ = TRANSMISSION - 5-SPEED
MANUAL
DGD = TRANSMISSION - 3-SPD.
AUTOMATIC,30RH
DGK = TRANSMISSION - 4-SPD.
AUTOMATIC,42RE
DGS = TRANSMISSION-4SPD.
AUTO,AISIN WARNER
DGT = TRANSMISSION - 4-SPD.
AUTOMATIC,46RE
DGW = TRANSMISSION - 4-SPD.
AUTOMATIC,44RE
DGX = TRANSMISSION - 4-SPEED
AUTOMATIC
DBB = ALL MANUAL
TRANSMISSIONS
DGO = ALL AUTOMATIC
TRANSMISSIONS

AR = use ase required - = Non illustrated part

2000 XJ

**Timing Cover
Figure 2.5LD-610**



ITEM	PART NUMBER	QTY	LINE	SERIES	BODY	ENGINE	TRANS	TRIM	DESCRIPTION
------	-------------	-----	------	--------	------	--------	-------	------	-------------

NOTE: EN0=All 2.5L Diesel Engines

1	04778839	1				EN0			COVER, Timing Belt
2	04720290	1				EN0			GASKET, Engine Oil Plug
3	04720565	6				EN0			WASHER, Tube Bolt
4	05003551AA	1				EN0			BOLT, M6x10
5	04720135	5				EN0			BOLT, Hex Head, M8x18
6	05010853AA	1				EN0			COVER, Timing Belt
7	04720304	2				EN0			DOWEL, Front Cover
8	04720136	3				EN0			BOLT, Hex Head, M8x20
9	05003716AB	1				EN0			PUMP, Vacuum
10	05010821AA	3				EN0			INSERT, Vacuum Pump Rotor
11	04882412	1				EN0			GEAR, Injection Pump
12	04882403	1				EN0			GEAR, Camshaft
13	04723233	1				EN0			PUMP, Engine Oil
14	04720239	1				EN0			O RING, Adaptor Plate
15	05010856AA	1				EN0			SEAL, Timing Belt Cover
16	05003539AA	1				EN0			BOLT

CHEROKEE (XJ)

SERIES	LINE
H = Sport	T = JEEP - 2WD
L = SE	B = JEEP - 2WD (RHD)
P = Classic	J = JEEP - 4WD
S = Limited	U = JEEP - 4WD (RHD)

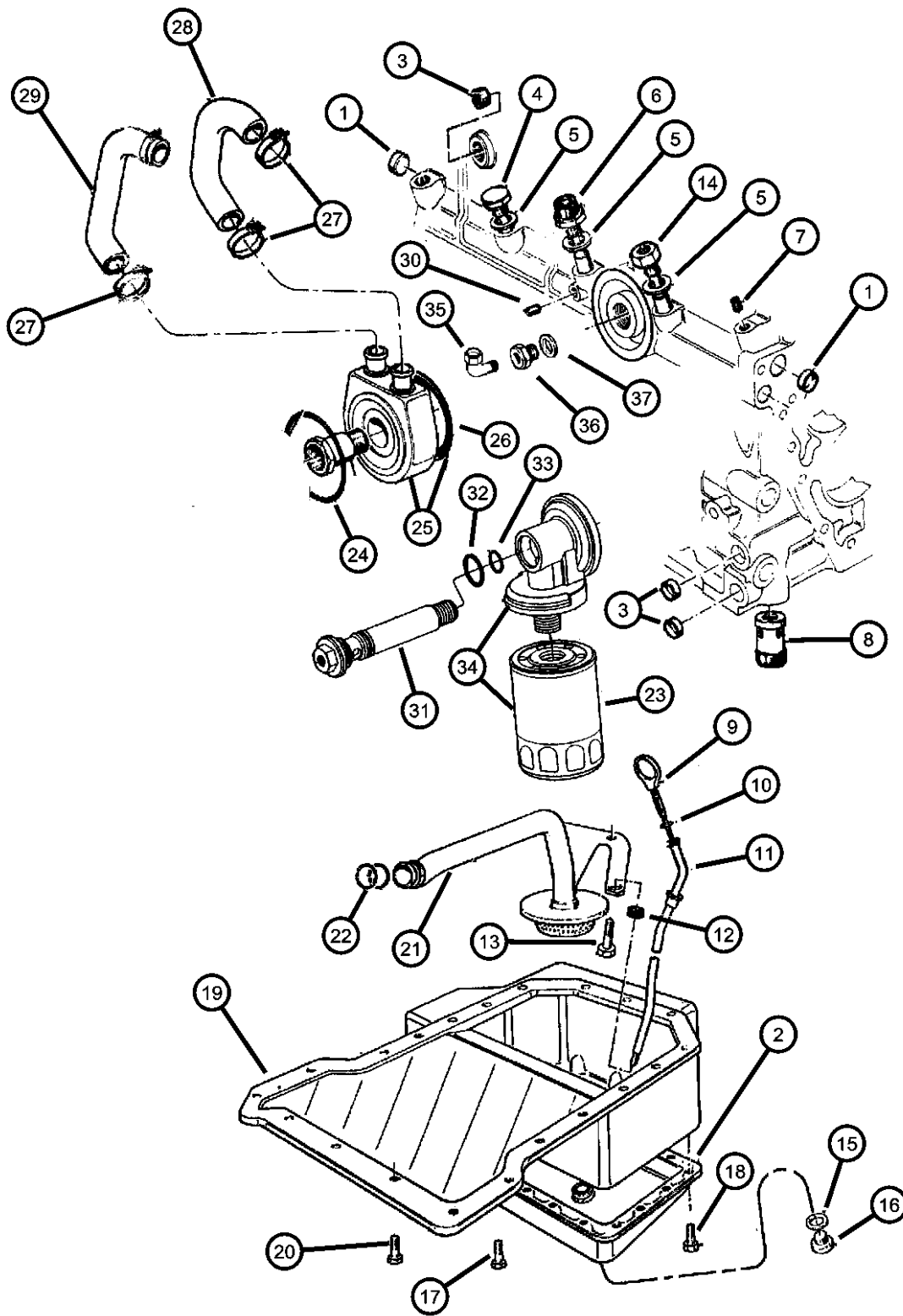
BODY
74 = 4 Dr (101.4WB)
72 = 2 Dr (101.4WB)

ENGINE	TRANSMISSION
ENC = ENGINE - 2.5L 4 CYL TURBO DIESEL	DDD = TRANSMISSION - 5-SPEED HD MANUAL
EPE = ENGINE - 2.5L POWER TECH I-4 Cyl.	DDQ = TRANSMISSION - 5-SPEED MANUAL
ERH = ENGINE - 4.0L POWER TECH I-6	DGD = TRANSMISSION - 3-SPD. AUTOMATIC,30RH
	DGK = TRANSMISSION - 4-SPD. AUTOMATIC,42RE
	DGS = TRANSMISSION-4SPD. AUTO,AISIN WARNER
	DGT = TRANSMISSION - 4-SPD. AUTOMATIC,46RE
	DGW = TRANSMISSION - 4-SPD. AUTOMATIC,44RE
	DGX = TRANSMISSION - 4-SPEED AUTOMATIC
	DBB = ALL MANUAL TRANSMISSIONS
	DGO = ALL AUTOMATIC TRANSMISSIONS

AR = use ase required - = Non illustrated part

2000 XJ

**Engine Oiling
Figure 2.5LD-710**



ITEM	PART NUMBER	QTY	LINE	SERIES	BODY	ENGINE	TRANS	TRIM	DESCRIPTION
------	-------------	-----	------	--------	------	--------	-------	------	-------------

NOTE: EN0=All 2.5L Diesel Engines

1	04723211	2				EN0			PLUG, Cylinder Block Oil Hole
2	04778933	1				EN0			COVER, Oil Pump
3	04864753	3				EN0			PLUG
4	04720726	2				EN0			BOLT, Oil Feed To Turbo Adapter
5	04720704	3				EN0			WASHER, Oil Pressure Transducer
6	04720709	1				EN0			BOLT, Turbo Oil Feed Adapter
7	04883424AA	2				EN0			PLUG, Cylinder Block
8	05003543AA	1				EN0			VALVE, Oil Pressure Relief
9	04778947	1				EN0			INDICATOR, Engine Oil Level
10	04720373	1				EN0			O RING, Engine Oil Indicator
11	04882408	1				EN0			TUBE, Oil Gauge
12	04720362	1				EN0			GASKET, Engine Oil Indicator Pipe
13	05003551AA	1				EN0			BOLT, M6x10
14	04720726	2				EN0			BOLT, Oil Feed To Turbo Adapter
15	04720353	1				EN0			WASHER, Plain
16	04720352	1				EN0			PLUG, Oil Drain
17	05003551AA	1				EN0			BOLT, M6x10
18	05003557AA	13				EN0			SCREW
19	04778935	1				EN0			PAN, Engine Oil
20	04864551	20				EN0			SCREW
21	04778937	1				EN0			PICKUP, Engine Oil
22	04720374	2				EN0			O RING, Oil Suction Tube
23	05003558AA	1				EN0			FILTER, Engine Oil
24	04720375	1				EN0			O RING, Oil Filter Base

CHEROKEE (XJ)

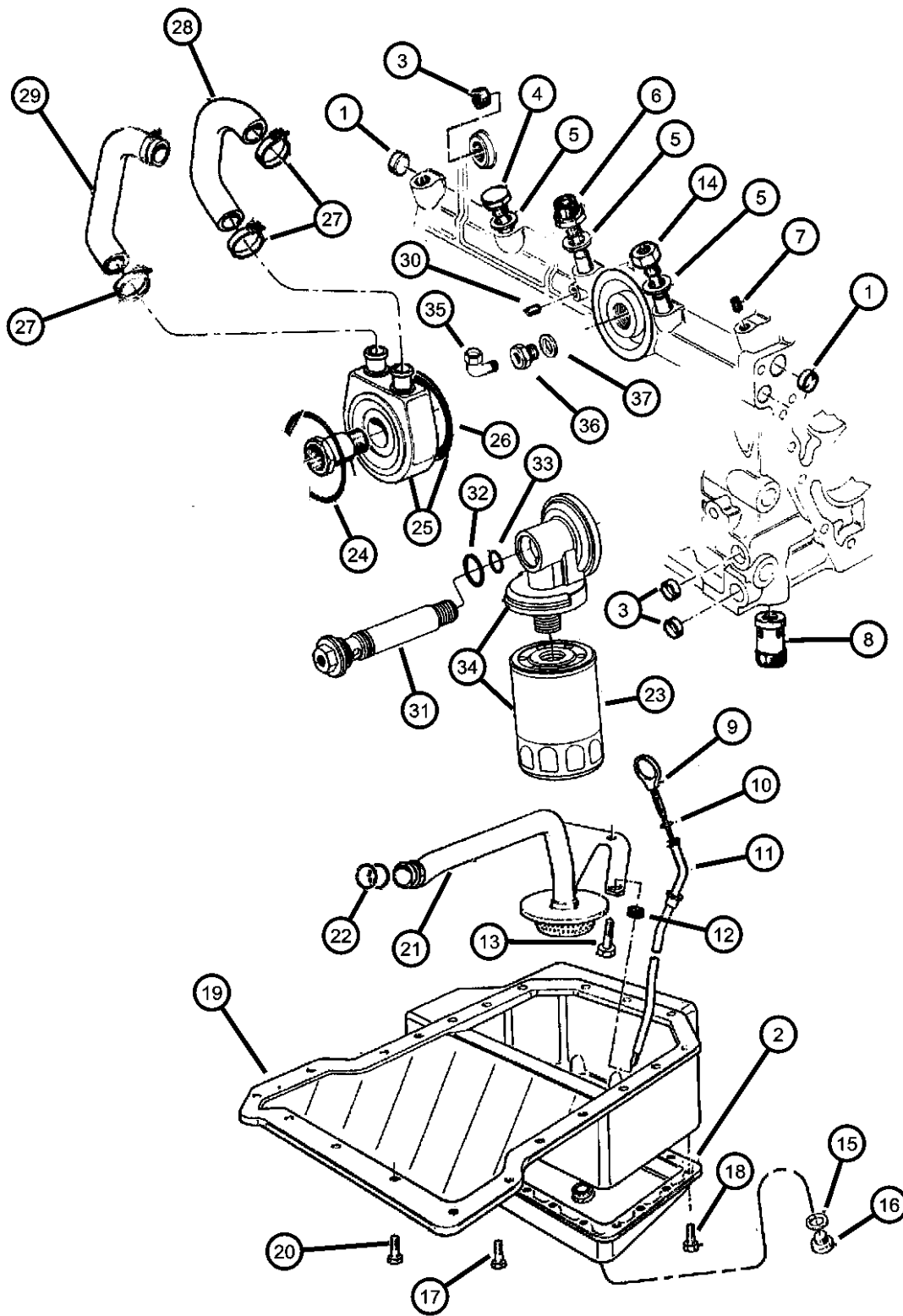
SERIES	LINE
H = Sport	T = JEEP - 2WD
L = SE	B = JEEP - 2WD (RHD)
P = Classic	J = JEEP - 4WD
S = Limited	U = JEEP - 4WD (RHD)

BODY
74 = 4 Dr (101.4WB)
72 = 2 Dr (101.4WB)

ENGINE	TRANSMISSION
ENC = ENGINE - 2.5L 4 CYL TURBO DIESEL	DDD = TRANSMISSION - 5-SPEED HD MANUAL
EPE = ENGINE - 2.5L POWER TECH I-4 Cyl.	DDQ = TRANSMISSION - 5-SPEED MANUAL
ERH = ENGINE - 4.0L POWER TECH I-6	DGD = TRANSMISSION - 3-SPD. AUTOMATIC,30RH
	DGK = TRANSMISSION - 4-SPD. AUTOMATIC,42RE
	DGS = TRANSMISSION-4SPD. AUTO,AISIN WARNER
	DGT = TRANSMISSION - 4-SPD. AUTOMATIC,46RE
	DGW = TRANSMISSION - 4-SPD. AUTOMATIC,44RE
	DGX = TRANSMISSION - 4-SPEED AUTOMATIC
	DBB = ALL MANUAL TRANSMISSIONS
	DGO = ALL AUTOMATIC TRANSMISSIONS

AR = use ase required - = Non illustrated part

**Engine Oiling
Figure 2.5LD-710**



ITEM	PART NUMBER	QTY	LINE	SERIES	BODY	ENGINE	TRANS	TRIM	DESCRIPTION
25	04720366	1				ENO			COOLER, Engine Oil
26	04723217	1				ENO			O RING, Oil Cooler
27	04883924AA	4				ENO			CLAMP, Heater Hose
28	04864578	1				ENO			HOSE, Oil Cooler
29	04778988	1				ENO			HOSE, Engine Oil Cooler
30	04883424AA	2				ENO			PLUG, Cylinder Block
31	05003559AA	1				ENO			ADAPTER, Oil Pressure Sender
32	04723334	1				ENO			GASKET, Valve
33	04886305AA	1				ENO			O RING, Oil Filter Adapter
34	05010893AA	1				ENO			BASE, Oil Filter
35	05014070AA	1				ENO			ADAPTER, Oil Pressure Sender
36	05003544AA	1				ENO			ADAPTER, Oil Pressure Sender
37	04797784	1				ENO			WASHER, Plain, 16.2x19.9x1.5

CHEROKEE (XJ)

SERIES	LINE	BODY	ENGINE	TRANSMISSION
H = Sport	T = JEEP - 2WD	74 = 4 Dr (101.4WB)	ENC = ENGINE - 2.5L 4 CYL TURBO DIESEL	DDD = TRANSMISSION - 5-SPEED HD MANUAL
L = SE	B = JEEP - 2WD (RHD)	72 = 2 Dr (101.4WB)	EPE = ENGINE - 2.5L POWER TECH I-4 Cyl.	DDQ = TRANSMISSION - 5-SPEED MANUAL
P = Classic	J = JEEP - 4WD		ERH = ENGINE - 4.0L POWER TECH I-6	DGD = TRANSMISSION - 3-SPD. AUTOMATIC,30RH
S = Limited	U = JEEP - 4WD (RHD)			DGK = TRANSMISSION - 4-SPD. AUTOMATIC,42RE

BODY
74 = 4 Dr (101.4WB)
72 = 2 Dr (101.4WB)

ENGINE
ENC = ENGINE - 2.5L 4 CYL TURBO DIESEL
EPE = ENGINE - 2.5L POWER TECH I-4 Cyl.
ERH = ENGINE - 4.0L POWER TECH I-6

TRANSMISSION
DDD = TRANSMISSION - 5-SPEED HD MANUAL
DDQ = TRANSMISSION - 5-SPEED MANUAL
DGD = TRANSMISSION - 3-SPD. AUTOMATIC,30RH
DGK = TRANSMISSION - 4-SPD. AUTOMATIC,42RE
DGS = TRANSMISSION-4SPD. AUTO,AISIN WARNER
DGT = TRANSMISSION - 4-SPD. AUTOMATIC,46RE
DGW = TRANSMISSION - 4-SPD. AUTOMATIC,44RE
DGX = TRANSMISSION - 4-SPEED AUTOMATIC
DBB = ALL MANUAL TRANSMISSIONS
DGO = ALL AUTOMATIC TRANSMISSIONS

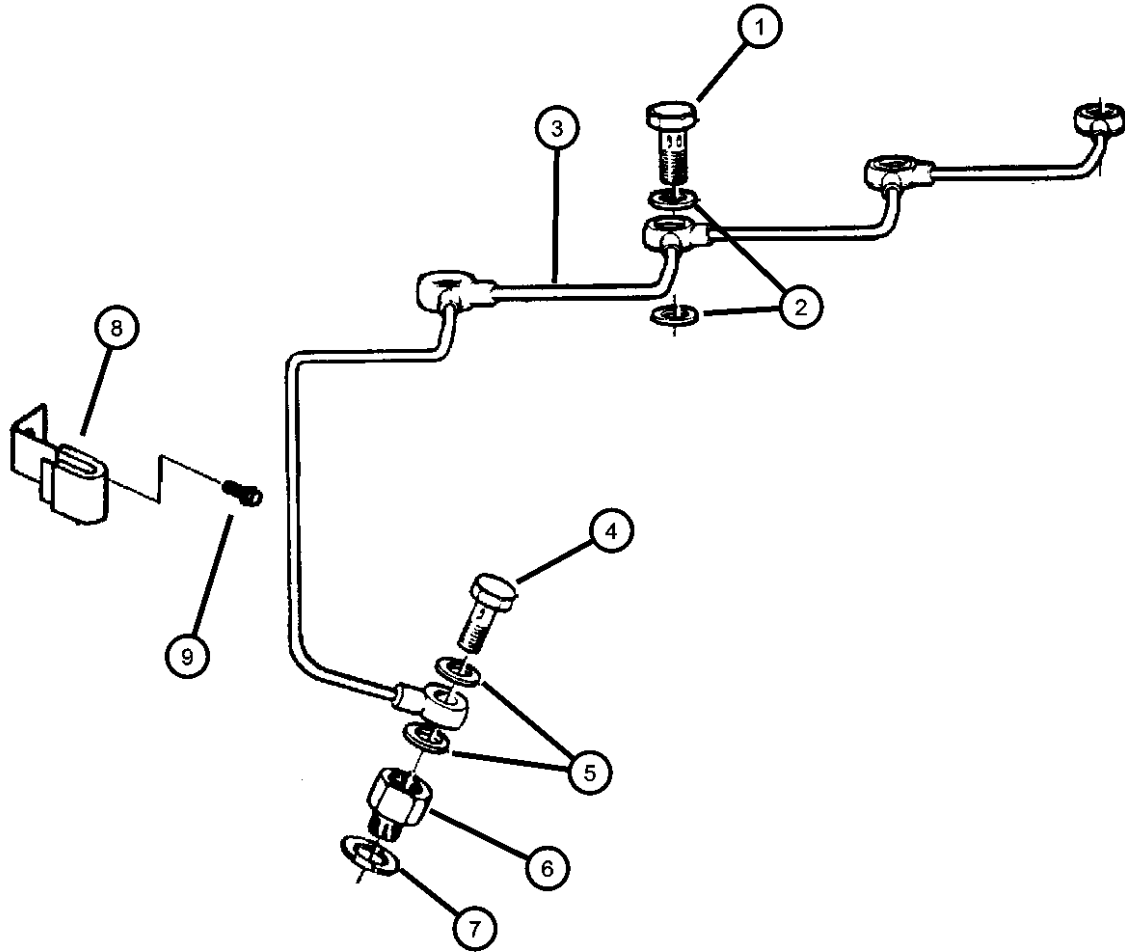
AR = use ase required - = Non illustrated part

Oil Lines
Figure 2.5LD-720

ITEM	PART NUMBER	QTY	LINE	SERIES	BODY	ENGINE	TRANS	TRIM	DESCRIPTION
------	-------------	-----	------	--------	------	--------	-------	------	-------------

NOTE: EN0=All 2.5L Diesel Engines

1	04720358	1				EN0			BOLT, Banjo
2	04720554	2				EN0			WASHER, Banjo
3	05015284AA	1				EN0			TUBE PACKAGE, Oil Feed
4	04720358	1				EN0			BOLT, Banjo
5	04720554	2				EN0			WASHER, Banjo
6	04863777	1				EN0			UNION
7	04720704	1				EN0			WASHER, Oil Pressure Transduser
8	05013828AA	1				EN0			BRACKET, Tube
9	05014071AA	1				EN0			BOLT, M5x10



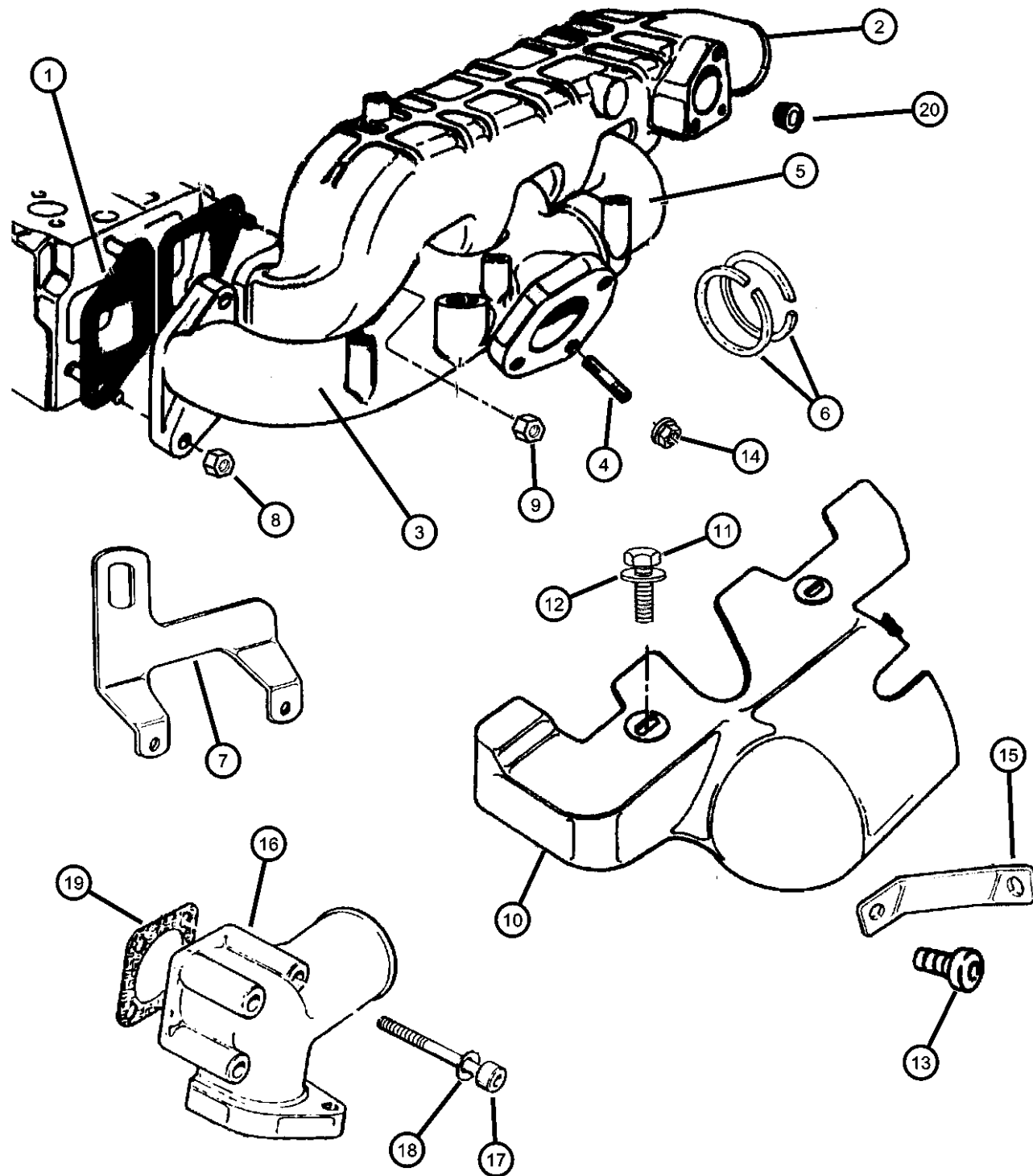
CHEROKEE (XJ)

SERIES	LINE	BODY	ENGINE	TRANSMISSION
H = Sport	T = JEEP - 2WD	74 = 4 Dr (101.4WB)	ENC = ENGINE - 2.5L 4 CYL TURBO DIESEL	DDD = TRANSMISSION - 5-SPEED HD MANUAL
L = SE	B = JEEP - 2WD (RHD)	72 = 2 Dr (101.4WB)	EPE = ENGINE - 2.5L POWER TECH I-4 Cyl.	DDQ = TRANSMISSION - 5-SPEED MANUAL
P = Classic	J = JEEP - 4WD		ERH = ENGINE - 4.0L POWER TECH I-6	DGD = TRANSMISSION - 3-SPD. AUTOMATIC,30RH
S = Limited	U = JEEP - 4WD (RHD)			DGK = TRANSMISSION - 4-SPD. AUTOMATIC,42RE
				DGS = TRANSMISSION-4SPD. AUTO,AISIN WARNER
				DGT = TRANSMISSION - 4-SPD. AUTOMATIC,46RE
				DGW = TRANSMISSION - 4-SPD. AUTOMATIC,44RE
				DGX = TRANSMISSION - 4-SPEED AUTOMATIC
				DBB = ALL MANUAL TRANSMISSIONS
				DGO = ALL AUTOMATIC TRANSMISSIONS

AR = use ase required - = Non illustrated part

2000 XJ

**Manifold, Intake and Exhaust
Figure 2.5LD-810**



NOTE: EN0=All 2.5L Diesel Engines

ITEM	PART NUMBER	QTY	LINE	SERIES	BODY	ENGINE	TRANS	TRIM	DESCRIPTION
1	05003546AA	1				EN0			GASKET, Intake/Exhaust Manifold
2	05014064AA	1				EN0			MANIFOLD, Intake
3	04778957	1				EN0			MANIFOLD, Exhaust
4	04882606	3				EN0			STUD, Turbo Elbow
5	04778960	1				EN0			MANIFOLD, Exhaust
6	04720214	2				EN0			CIRCLIP, Exhaust Manifold
7	05014073AA	1				EN0			BRACKET, Engine Lift
8	04882611	8				EN0			NUT, Lock
9	04778961	8				EN0			NUT
10	04864752	1				EN0			SHIELD, Heat
11	04728183	2				EN0			BOLT, Exhaust Shield
12									WASHER, Starter
	04720553	2				EN0			After 9-9-99
	04723279	2				EN0			Up To 9-9-99
13	05003551AA	1				EN0			BOLT, M6x10
14	04882610	3				EN0			NUT, Lock
15	04796396	1				EN0			BRACKET, Heat Shield
16	04778963	1				EN0			ELBOW, Intake Manifold Vacuum
17	04886291AA	4				EN0			BOLT, Water Manifold
18	04723204	4				EN0			WASHER, Implement Attaching
19	04720207	1				EN0			GASKET, Intake Connector
20	04883425AA	1				EN0			PLUG

CHEROKEE (XJ)

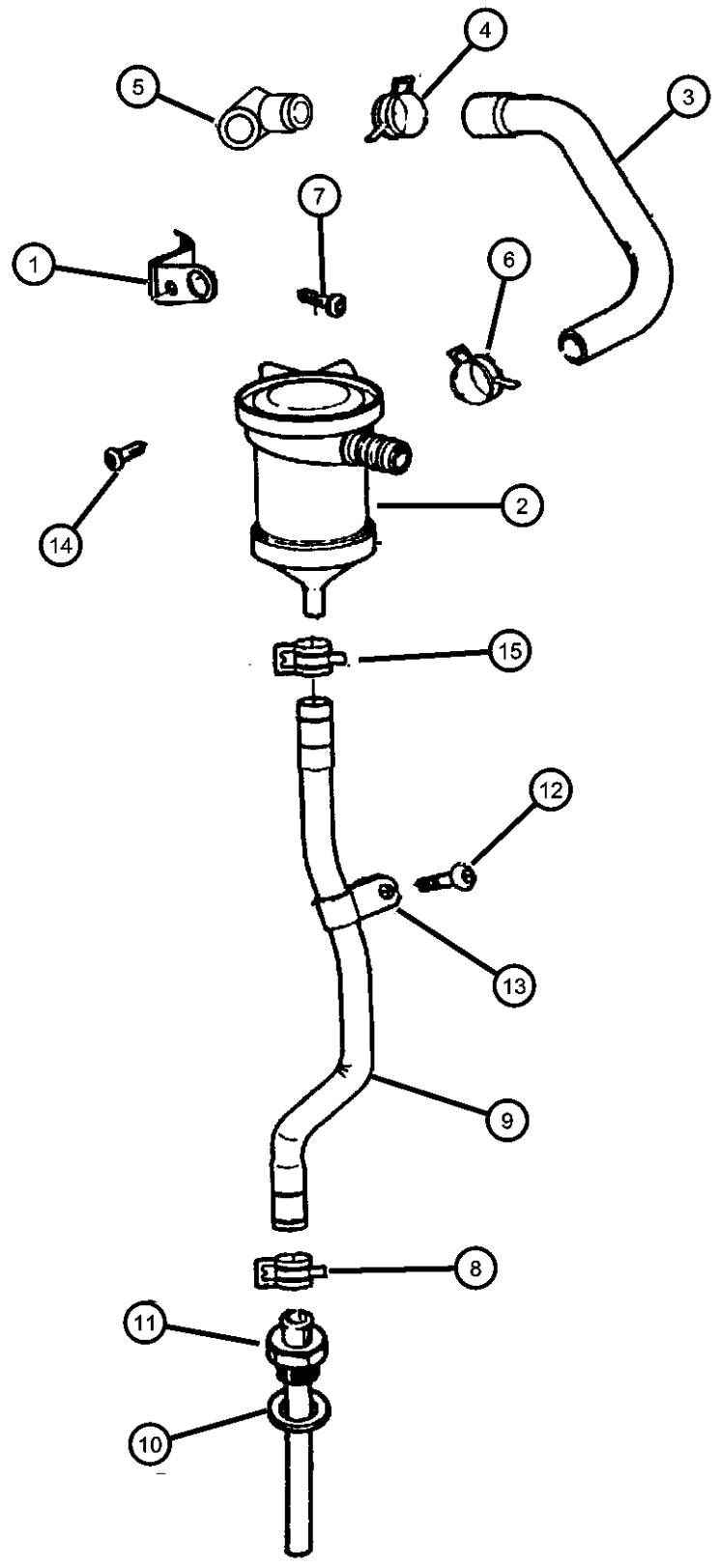
SERIES	LINE
H = Sport	T = JEEP - 2WD
L = SE	B = JEEP - 2WD (RHD)
P = Classic	J = JEEP - 4WD
S = Limited	U = JEEP - 4WD (RHD)

BODY
74 = 4 Dr (101.4WB)
72 = 2 Dr (101.4WB)

ENGINE	TRANSMISSION
ENC = ENGINE - 2.5L 4 CYL TURBO DIESEL	DDD = TRANSMISSION - 5-SPEED HD MANUAL
EPE = ENGINE - 2.5L POWER TECH I-4 Cyl.	DDQ = TRANSMISSION - 5-SPEED MANUAL
ERH = ENGINE - 4.0L POWER TECH I-6	DGD = TRANSMISSION - 3-SPD. AUTOMATIC,30RH
	DGK = TRANSMISSION - 4-SPD. AUTOMATIC,42RE
	DGS = TRANSMISSION-4SPD. AUTO,AISIN WARNER
	DGT = TRANSMISSION - 4-SPD. AUTOMATIC,46RE
	DGW = TRANSMISSION - 4-SPD. AUTOMATIC,44RE
	DGX = TRANSMISSION - 4-SPEED AUTOMATIC
	DBB = ALL MANUAL TRANSMISSIONS
	DGO = ALL AUTOMATIC TRANSMISSIONS

AR = use ase required - = Non illustrated part

**Crankcase Ventilation
Figure 2.5LD-910**



ITEM	PART NUMBER	QTY	LINE	SERIES	BODY	ENGINE	TRANS	TRIM	DESCRIPTION
------	-------------	-----	------	--------	------	--------	-------	------	-------------

NOTE: EN0=All 2.5L Diesel Engines

1	04883452AA	1				EN0			BRACKET, Oil Seperator, Engine
2	04863796	1				EN0			SEPERATOR, Oil
3	04886290AA	1				EN0			PIPE, Oil Separator
4	04886044AA	1				EN0			CLAMP, Heater Hose
5	04720691	1				EN0			ADAPTER, Crankcase Vent
6	04883924AA	1				EN0			CLAMP, Heater Hose
7	05003551AA	1				EN0			BOLT, M6x10
8	05003552AA	1				EN0			CLAMP, Oil Seperator Hose
9	04883454AA	1				EN0			TUBE, Oil Separator Drain
10	04720704	1				EN0			WASHER, Oil Pressure Transduser
11	04778942	1				EN0			ADAPTER, Oil Drain Pipe
12	05003554AA	1				EN0			SCREW
13	04886223AA	1				EN0			P CLIP
14	05003553AA	1				EN0			SCREW
15	04886051AA	1				EN0			CLAMP, Heater Hose

CHEROKEE (XJ)

SERIES	LINE	BODY	ENGINE	TRANSMISSION
H = Sport	T = JEEP - 2WD	74 = 4 Dr (101.4WB)	ENC = ENGINE - 2.5L 4 CYL TURBO DIESEL	DDD = TRANSMISSION - 5-SPEED HD MANUAL
L = SE	B = JEEP - 2WD (RHD)	72 = 2 Dr (101.4WB)	EPE = ENGINE - 2.5L POWER TECH I-4 Cyl.	DDQ = TRANSMISSION - 5-SPEED MANUAL
P = Classic	J = JEEP - 4WD		ERH = ENGINE - 4.0L POWER TECH I-6	DGD = TRANSMISSION - 3-SPD. AUTOMATIC,30RH
S = Limited	U = JEEP - 4WD (RHD)			DGK = TRANSMISSION - 4-SPD. AUTOMATIC,42RE
				DGS = TRANSMISSION-4SPD. AUTO,AISIN WARNER
				DGT = TRANSMISSION - 4-SPD. AUTOMATIC,46RE
				DGW = TRANSMISSION - 4-SPD. AUTOMATIC,44RE
				DGX = TRANSMISSION - 4-SPEED AUTOMATIC
				DBB = ALL MANUAL TRANSMISSIONS
				DGO = ALL AUTOMATIC TRANSMISSIONS

AR = use ase required - = Non illustrated part

Group - 11

Exhaust

Group - 11 Exhaust

Illustration Title

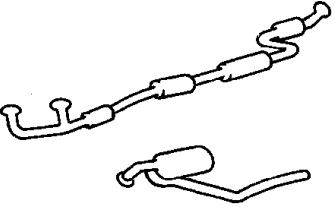
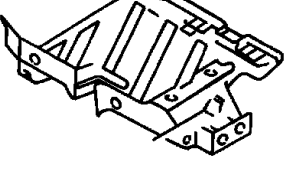
Group-Fig. No.

Exhaust System

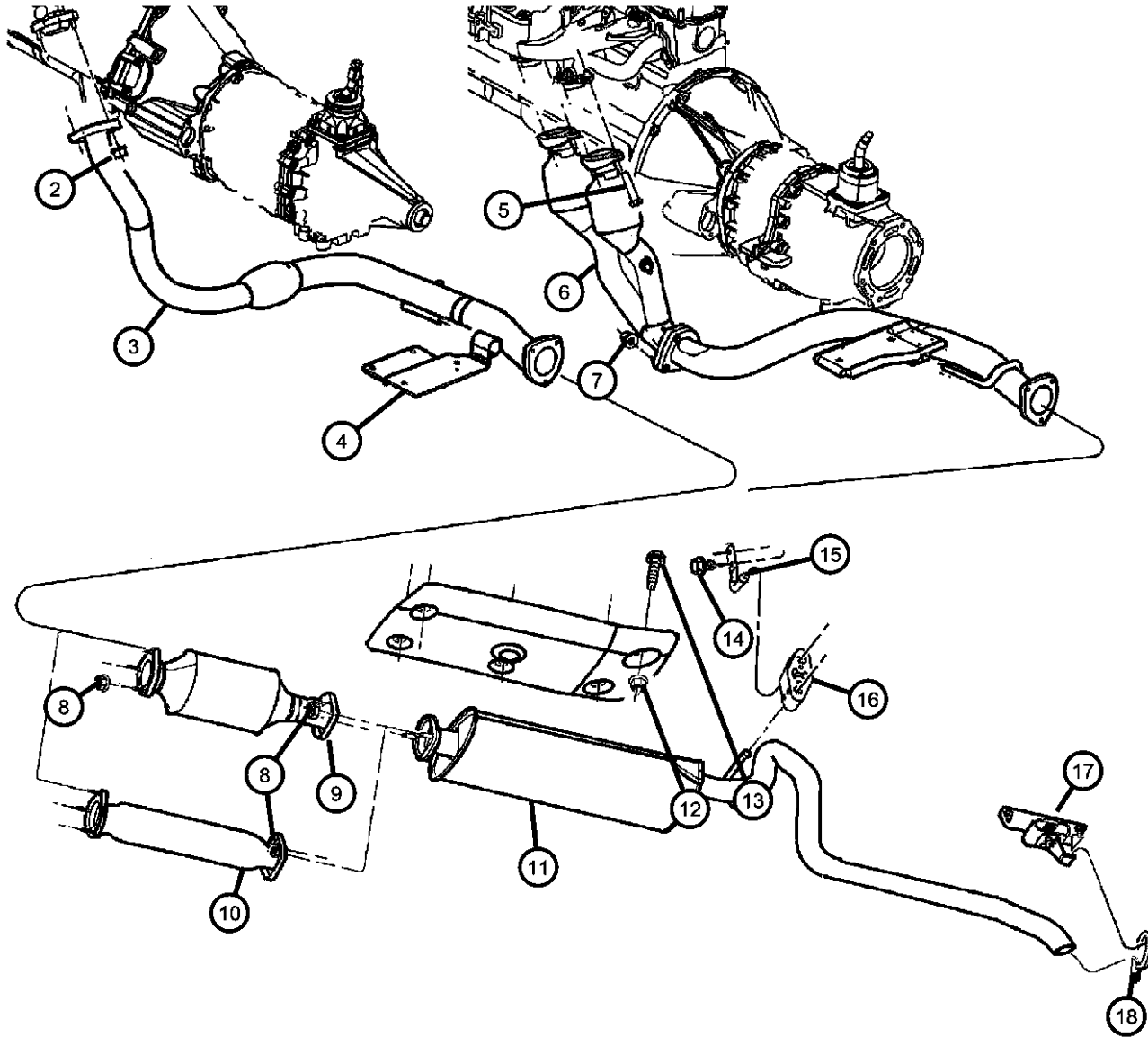
Exhaust System 2.5 [EPE] 4.0 [ERH] Engine..... Fig. 11 - 120
 Exhaust System 2.5 [ENC] Diesel Engine..... Fig. 11 - 140

Heat Shields

Heat Shields Fig. 11 - 210

<p>011-100 Exhaust System</p> 	<p>011-200 Heat Shields</p> 		
---	--	--	--

Exhaust System 2.5 [EPE] 4.0 [ERH] Engine
Figure 11-120



ITEM	PART NUMBER	QTY	LINE	SERIES	BODY	ENGINE	TRANS	TRIM	DESCRIPTION
------	-------------	-----	------	--------	------	--------	-------	------	-------------

NOTE:ENO= All 2.5L Diesel Engines, EPO= All 2.5L Gas Engines, ERO= All 4.0L Gas Engines

-1									PIPE, Exhaust
	52021047AF	1				EP0			Federal, Europe II, Leaded Fuel Up to 1-20-00
	52021047AG	1				EP0			Federal, Europe II, Leaded Fuel After 1-20-00
	52101193AF	1				ER0			Use Up to 1-20-00
	52101193AH	1				ER0	DG0		Federal, Europe II, Leaded Fuel Use After Built Date 1-20-00
2	J4005142	2				EP0			NUT, Hex Flange Lock
3									CONVERTER, Catalytic
	52020027AB	1				EP0			California, Up to 1-20-00
	52020027AC	1				EP0			California After 1-20-00
4	52079405	1				EN0			SHIELD, Heat
5	06505754AA	4				ER0			SCREW, Hex Head
6									PIPE AND CONVERTER, Exhaust, To Manifold
	52101112AB	1				ER0			Use up to 1-20-00 Has a slip connection
	52101112AD	1				ER0			Use after 1-20-00 has a flanged connection
7	52101112AD	1							NUT, Hex Flange, M8x1.25, (NOT SERVICED), NUT
8	06101696	2							CONVERTER, Catalytic
9	52019480AG	1				ER0			Federal,Europe II,Up to 1/20/00
		1				EP0			With Flange Federal, Europe II, Up to 1/20/00
	52019480AH	1				ER0			Federal,Europe II, After 1/20/00
		1				EP0			Federal,Europe II, After 1/20/00

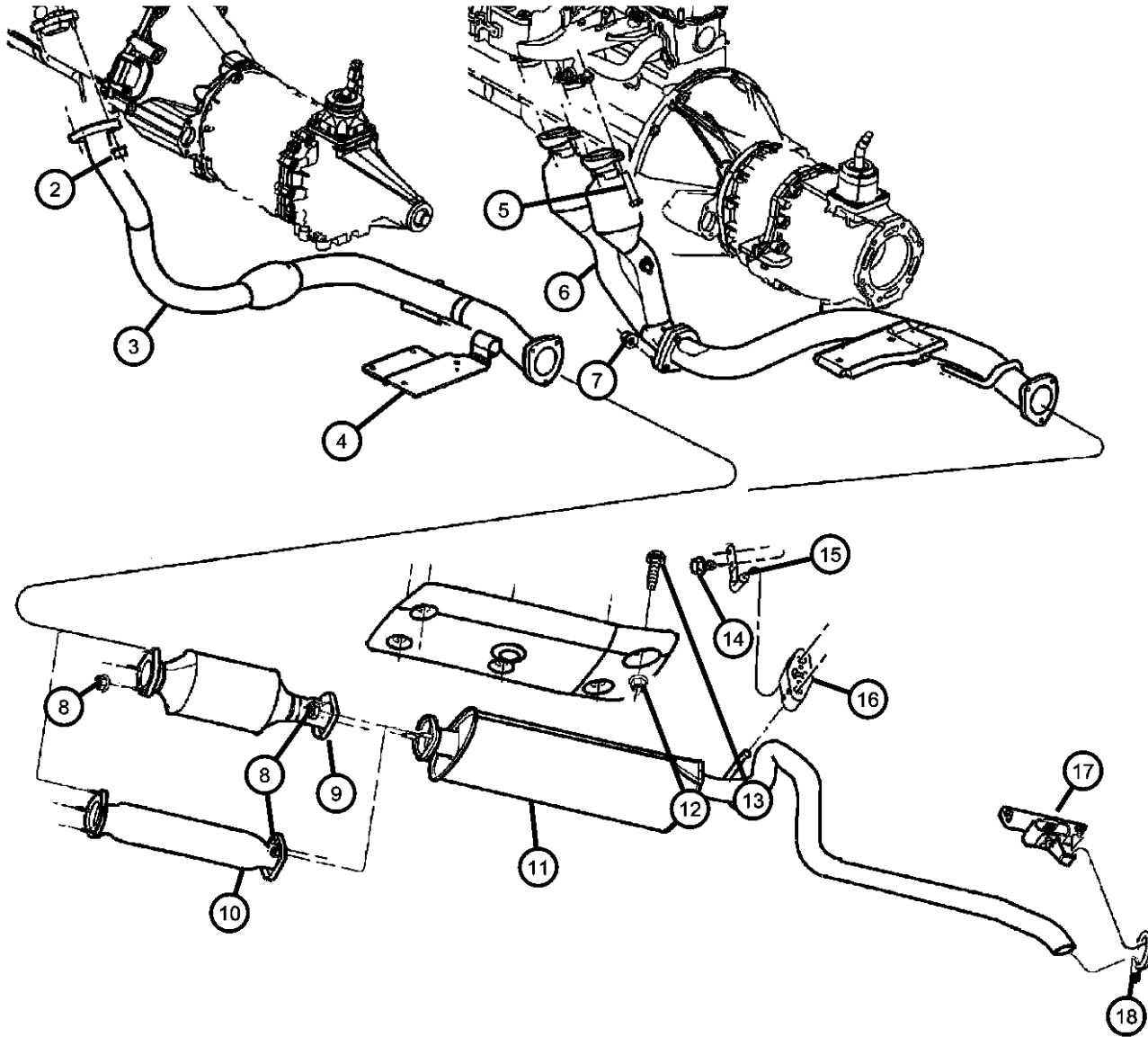
CHEROKEE (XJ)

SERIES	LINE	BODY	ENGINE	TRANSMISSION
H = Sport	T = JEEP - 2WD	74 = 4 Dr (101.4WB)	ENC = ENGINE - 2.5L 4 CYL TURBO DIESEL	DDD = TRANSMISSION - 5-SPEED HD MANUAL
L = SE	B = JEEP - 2WD (RHD)	72 = 2 Dr (101.4WB)	EPE = ENGINE - 2.5L POWER TECH I-4 Cyl.	DDQ = TRANSMISSION - 5-SPEED MANUAL
P = Classic	J = JEEP - 4WD		ERH = ENGINE - 4.0L POWER TECH I-6	DGD = TRANSMISSION - 3-SPD. AUTOMATIC,30RH
S = Limited	U = JEEP - 4WD (RHD)			DGK = TRANSMISSION - 4-SPD. AUTOMATIC,42RE
				DGS = TRANSMISSION-4SPD. AUTO,AISIN WARNER
				DGT = TRANSMISSION - 4-SPD. AUTOMATIC,46RE
				DGW = TRANSMISSION - 4-SPD. AUTOMATIC,44RE
				DGX = TRANSMISSION - 4-SPEED AUTOMATIC
				DBB = ALL MANUAL TRANSMISSIONS
				DGO = ALL AUTOMATIC TRANSMISSIONS

AR = use ase required - = Non illustrated part

2000 XJ

**Exhaust System 2.5 [EPE] 4.0 [ERH] Engine
Figure 11-120**



ITEM	PART NUMBER	QTY	LINE	SERIES	BODY	ENGINE	TRANS	TRIM	DESCRIPTION
	52101116AB	1				ER0			Emissions - California
	52101116AC	1				ER0			With Flange
10	52019500AD	1				EP0, ER0			RESONATOR, Exhaust
11									MUFFLER AND TAILPIPE, Exhaust
	52101052AD E0017340	1				EP0			Dynomax Cat Back Single Exhaust
	52101262AF E0017340	1				ER0			Dynomax Cat Back Single Exhaust
	52101262AH E0017340	1				ER0			Use this number for flanged exhaust muffler and tail pipe Dynomax Cat Back Single Exhaust
12	J0120375	5				EP0, ER0			NUT, Hex, .250-20
13	06034997	5							SCREW, Hex Head, .25-20x.75
14	J4001933	1	B, U			EP0, ER0			SCREW, Hex Flange Head, .312-x18x.875
15	52002403	1							HANGER, Exhaust
16	52001759	1							INSULATOR, Exhaust
17	52101097AC	1							HANGER, Tailpipe
18	52101265AA	1				EN0, ER0			CLAMP, Exhaust
-19	06506546AA	2				ER0			NUT, Exhaust Manifold, 2- Nuts per manifold
-20									GASKET, Exhaust
	04616707	1				ER0			
		1				EP0, ER0			

CHEROKEE (XJ)

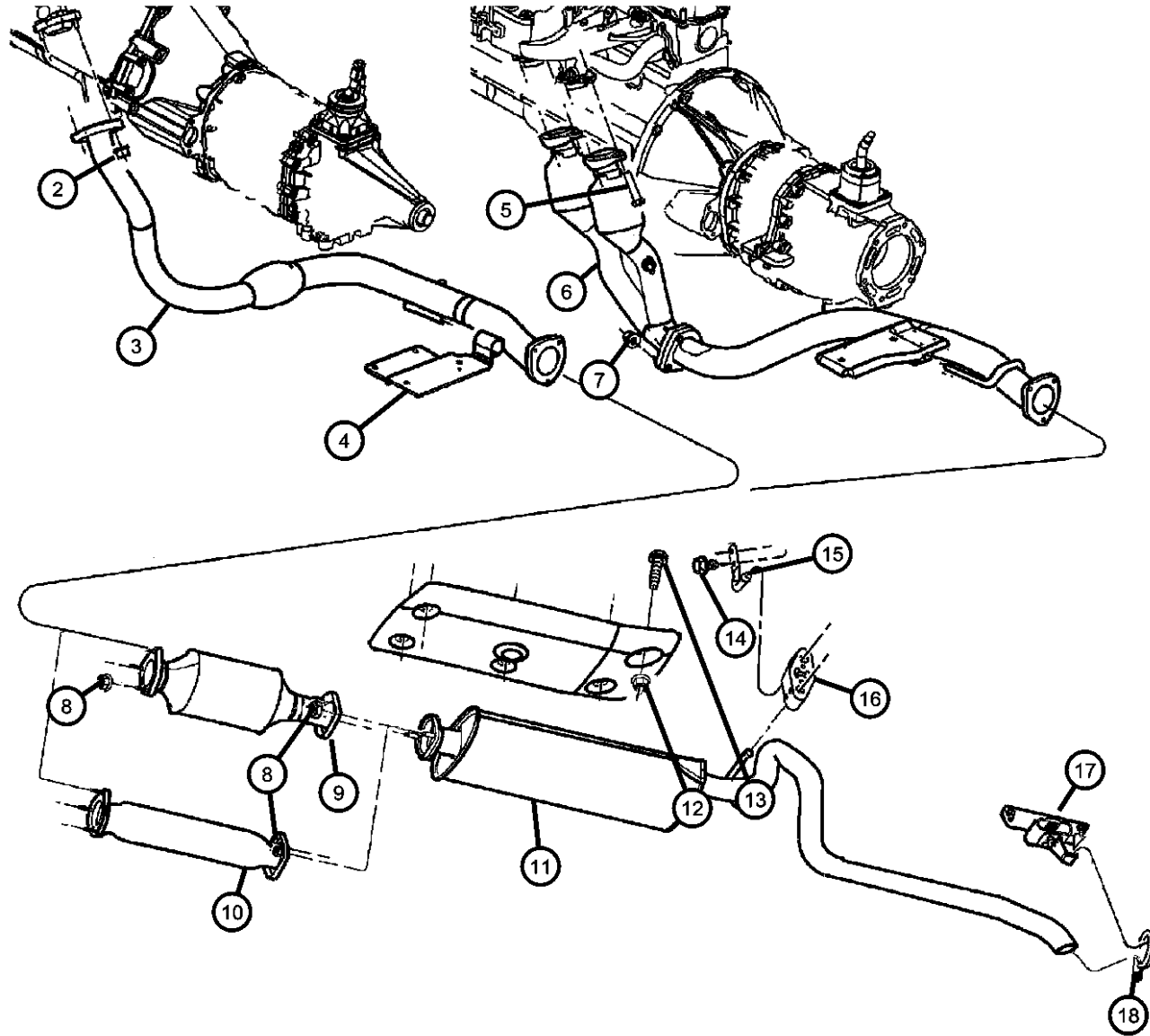
SERIES	LINE	BODY	ENGINE	TRANSMISSION
H = Sport	T = JEEP - 2WD	74 = 4 Dr (101.4WB)	ENC = ENGINE - 2.5L 4 CYL TURBO DIESEL	DDD = TRANSMISSION - 5-SPEED HD MANUAL
L = SE	B = JEEP - 2WD (RHD)	72 = 2 Dr (101.4WB)	EPE = ENGINE - 2.5L POWER TECH I-4 Cyl.	DDQ = TRANSMISSION - 5-SPEED MANUAL
P = Classic	J = JEEP - 4WD		ERH = ENGINE - 4.0L POWER TECH I-6	DGD = TRANSMISSION - 3-SPD. AUTOMATIC,30RH
S = Limited	U = JEEP - 4WD (RHD)			DGK = TRANSMISSION - 4-SPD. AUTOMATIC,42RE
				DGS = TRANSMISSION-4SPD. AUTO,AISIN WARNER
				DGT = TRANSMISSION - 4-SPD. AUTOMATIC,46RE
				DGW = TRANSMISSION - 4-SPD. AUTOMATIC,44RE
				DGX = TRANSMISSION - 4-SPEED AUTOMATIC
				DBB = ALL MANUAL TRANSMISSIONS
				DGO = ALL AUTOMATIC TRANSMISSIONS

AR = use ase required - = Non illustrated part

Exhaust System 2.5 [EPE] 4.0 [ERH] Engine
Figure 11-120

ITEM	PART NUMBER	QTY	LINE	SERIES	BODY	ENGINE	TRANS	TRIM	DESCRIPTION
------	-------------	-----	------	--------	------	--------	-------	------	-------------

1						EPO			
1						ER0	DBB		



CHEROKEE (XJ)

SERIES	LINE
H = Sport	T = JEEP - 2WD
L = SE	B = JEEP - 2WD (RHD)
P = Classic	J = JEEP - 4WD
S = Limited	U = JEEP - 4WD (RHD)

BODY
74 = 4 Dr (101.4WB)
72 = 2 Dr (101.4WB)

ENGINE
ENC = ENGINE - 2.5L 4 CYL TURBO DIESEL
EPE = ENGINE - 2.5L POWER TECH I-4 Cyl.
ERH = ENGINE - 4.0L POWER TECH I-6

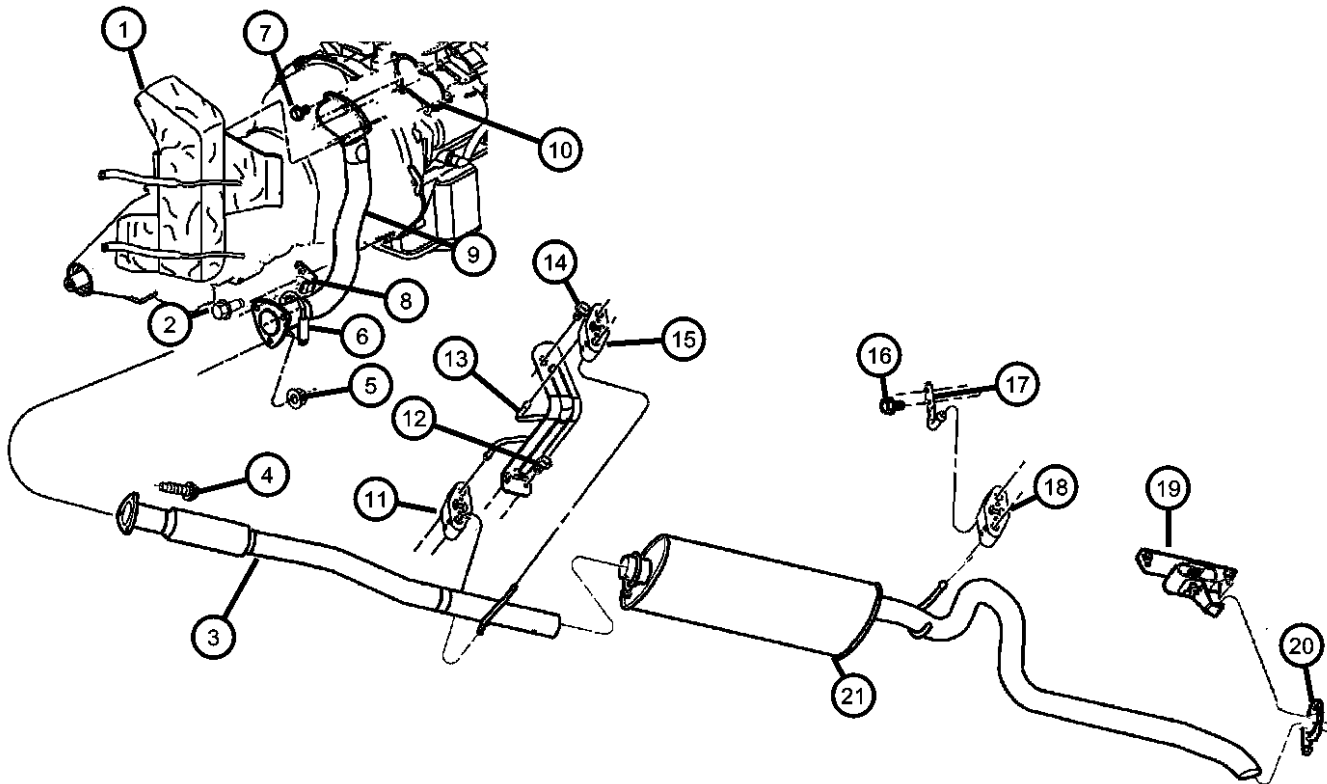
TRANSMISSION
DDD = TRANSMISSION - 5-SPEED HD MANUAL
DDQ = TRANSMISSION - 5-SPEED MANUAL
DGD = TRANSMISSION - 3-SPD. AUTOMATIC,30RH
DGK = TRANSMISSION - 4-SPD. AUTOMATIC,42RE
DGS = TRANSMISSION-4SPD. AUTO,AISIN WARNER
DGT = TRANSMISSION - 4-SPD. AUTOMATIC,46RE
DGW = TRANSMISSION - 4-SPD. AUTOMATIC,44RE
DGX = TRANSMISSION - 4-SPEED AUTOMATIC
DBB = ALL MANUAL TRANSMISSIONS
DGO = ALL AUTOMATIC TRANSMISSIONS

AR = use ase required - = Non illustrated part

Exhaust System 2.5 [ENC] Diesel Engine
Figure 11-140

ITEM	PART NUMBER	QTY	LINE	SERIES	BODY	ENGINE	TRANS	TRIM	DESCRIPTION
------	-------------	-----	------	--------	------	--------	-------	------	-------------

NOTE: EN0=All 2.5L Diesel Engines, ENC= 2.5L Diesel Engine, ERO= All 4.0L Gas Engines



1	52079405	1				EN0			SHIELD, Heat
2	52079405	1							BOLT, Tran Bolt, (NOT SERVICED)
3	52101111AD	1				EN0			PIPE, Exhaust
4	06034501	3				EN0			SCREW, Hex Head Header Point, .375-16x1.375
5	06031959	3				EN0			NUT, Hex Flange Lock
6	06100055	2							NUT AND WASHER, Hex Nut-Coned Washer, M12 x 1.75
7	06504070	5				ENC			SCREW, M8-1.25
8	52018818AC	1				EN0			FLANGE, Exhaust Pipe
9	52019388AB	1				ENC			ADAPTER, Turbo
10	52018875	1				EN0			GASKET, Turbo Adapter
11	52017607	2				EN0			INSULATOR, Exhaust
	E0036369								Mopar V-Line Alternative Part
12	06101777	2				EN0			SCREW, Hex Flange Head Tapping, M6x1.00x20.00
13	52101056	1				EN0			HANGER, Muffler
14	06100574	1				EN0			BOLT AND CONED WASHER, Hex Head, M8x20x17
15	52017607	2				EN0			INSULATOR, Exhaust
	E0036369								Mopar V-Line Alternative Part
16	J4001933	2							SCREW, Hex Flange Head, .312-x18x.875
17	52002403	1							HANGER, Exhaust
18	52001759	1							INSULATOR, Exhaust
19	52101097AC	1							HANGER, Tailpipe
20	52101265AA	1				EN0, ERO			CLAMP, Exhaust

CHEROKEE (XJ)

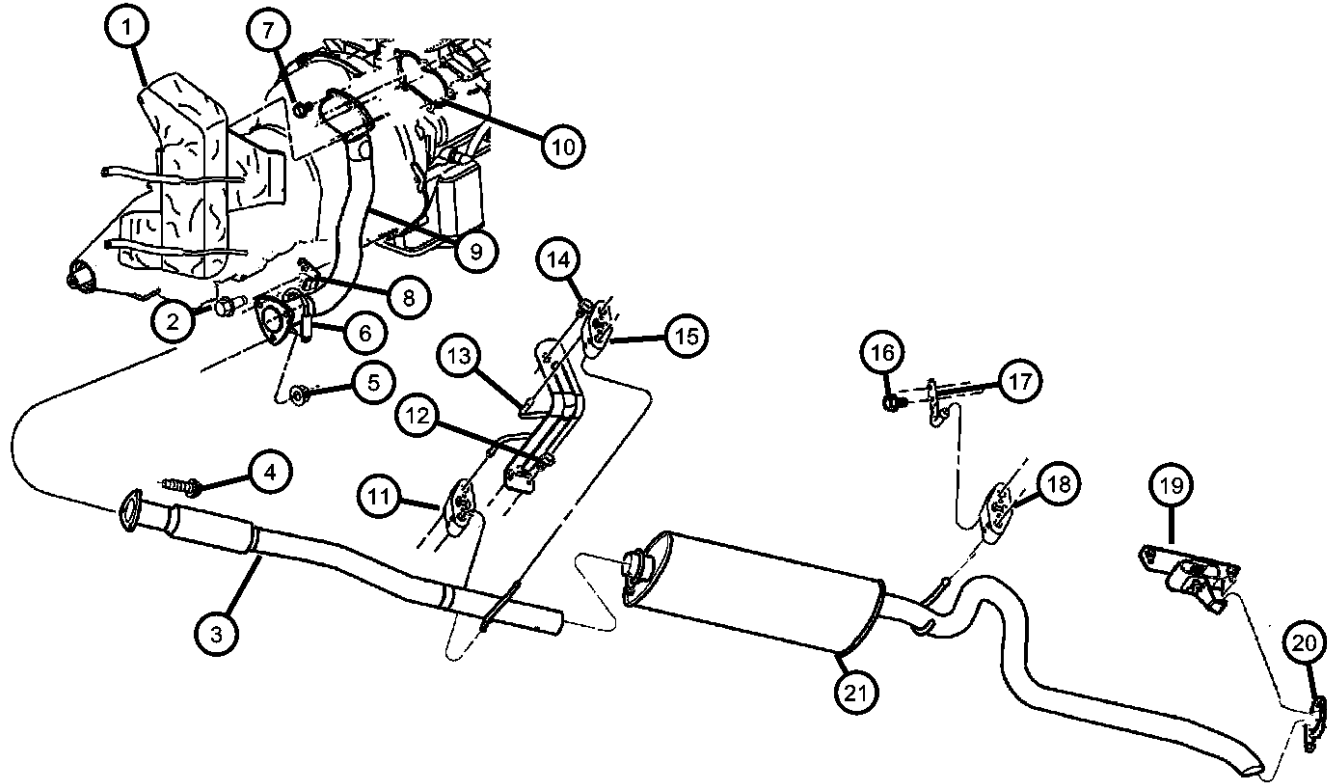
SERIES	LINE	BODY	ENGINE	TRANSMISSION
H = Sport	T = JEEP - 2WD	74 = 4 Dr (101.4WB)	ENC = ENGINE - 2.5L 4 CYL TURBO DIESEL	DDD = TRANSMISSION - 5-SPEED HD MANUAL
L = SE	B = JEEP - 2WD (RHD)	72 = 2 Dr (101.4WB)	EPE = ENGINE - 2.5L POWER TECH I-4 Cyl.	DDQ = TRANSMISSION - 5-SPEED MANUAL
P = Classic	J = JEEP - 4WD		ERH = ENGINE - 4.0L POWER TECH I-6	DGD = TRANSMISSION - 3-SPD. AUTOMATIC,30RH
S = Limited	U = JEEP - 4WD (RHD)			DGK = TRANSMISSION - 4-SPD. AUTOMATIC,42RE
				DGS = TRANSMISSION-4SPD. AUTO,AISIN WARNER
				DGT = TRANSMISSION - 4-SPD. AUTOMATIC,46RE
				DGW = TRANSMISSION - 4-SPD. AUTOMATIC,44RE
				DGX = TRANSMISSION - 4-SPEED AUTOMATIC
				DBB = ALL MANUAL TRANSMISSIONS
				DGO = ALL AUTOMATIC TRANSMISSIONS

AR = use ase required - = Non illustrated part

2000 XJ

Exhaust System 2.5 [ENC] Diesel Engine
Figure 11-140

ITEM	PART NUMBER	QTY	LINE	SERIES	BODY	ENGINE	TRANS	TRIM	DESCRIPTION
21									MUFFLER AND TAILPIPE, Exhaust
	52101052AF	1				EPO			
	52101063AG	1				EN0			
	52101262AH	1				ER0			
	E0017340								Dynomax Cat Back Single Exhaust



CHEROKEE (XJ)

SERIES	LINE	BODY	ENGINE	TRANSMISSION
H = Sport	T = JEEP - 2WD	74 = 4 Dr (101.4WB)	ENC = ENGINE - 2.5L 4 CYL TURBO DIESEL	DDD = TRANSMISSION - 5-SPEED HD MANUAL
L = SE	B = JEEP - 2WD (RHD)	72 = 2 Dr (101.4WB)	EPE = ENGINE - 2.5L POWER TECH I-4 Cyl.	DDQ = TRANSMISSION - 5-SPEED MANUAL
P = Classic	J = JEEP - 4WD		ERH = ENGINE - 4.0L POWER TECH I-6	DGD = TRANSMISSION - 3-SPD. AUTOMATIC,30RH
S = Limited	U = JEEP - 4WD (RHD)			DGK = TRANSMISSION - 4-SPD. AUTOMATIC,42RE
				DGS = TRANSMISSION-4SPD. AUTO,AISIN WARNER
				DGT = TRANSMISSION - 4-SPD. AUTOMATIC,46RE
				DGW = TRANSMISSION - 4-SPD. AUTOMATIC,44RE
				DGX = TRANSMISSION - 4-SPEED AUTOMATIC
				DBB = ALL MANUAL TRANSMISSIONS
				DGO = ALL AUTOMATIC TRANSMISSIONS

AR = use ase required - = Non illustrated part

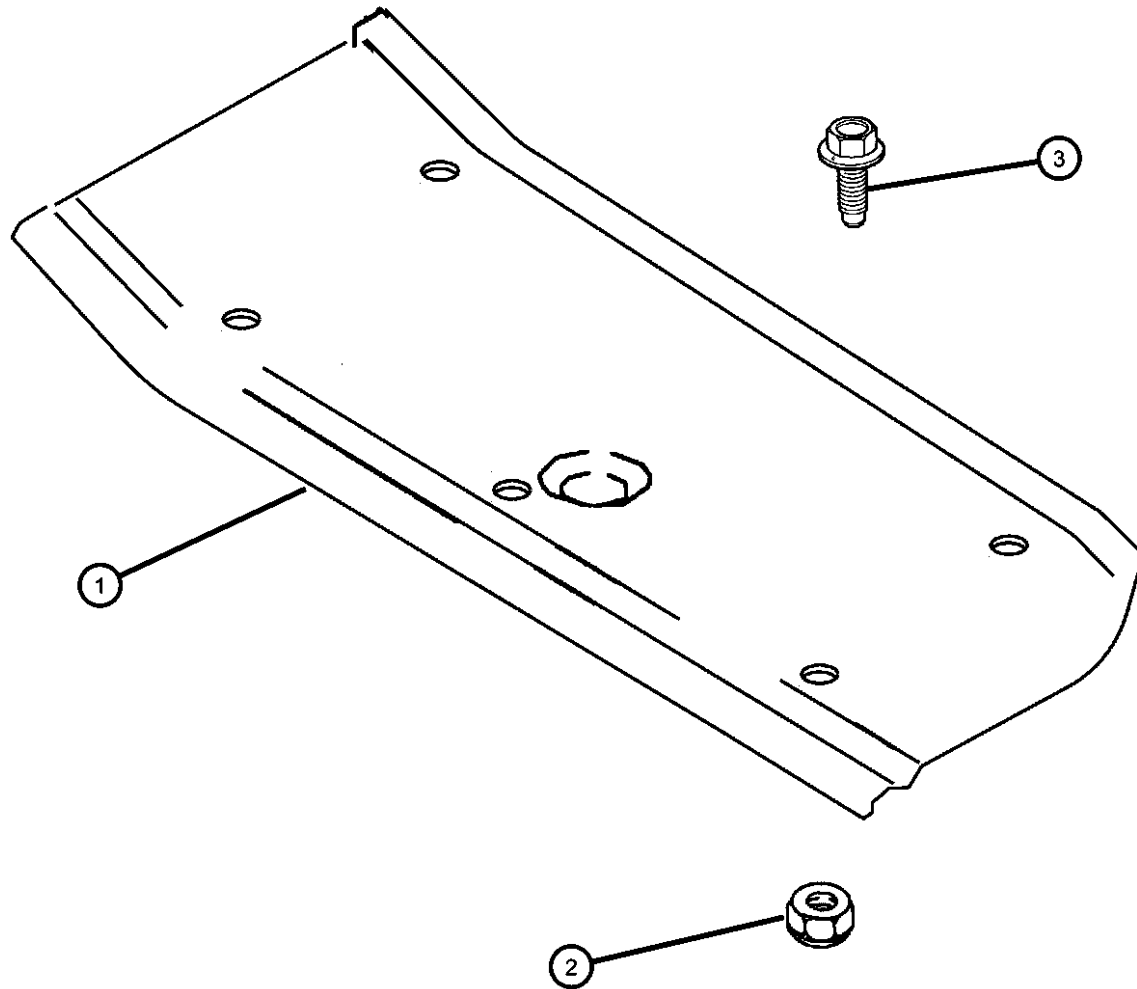
2000 XJ

Heat Shields
Figure 11-210

ITEM	PART NUMBER	QTY	LINE	SERIES	BODY	ENGINE	TRANS	TRIM	DESCRIPTION
------	-------------	-----	------	--------	------	--------	-------	------	-------------

NOTE: EP0=All 2.5L Engines ER0=All 4.0L Engines

1	55235811AB	1				EP0, ER0			SHIELD, Muffler
2	J0120375	5				EP0, ER0			NUT, Hex, .250-20
3	J0120375	5							SCREW, (NOT SERVICED)



CHEROKEE (XJ)

SERIES	LINE	BODY	ENGINE	TRANSMISSION
H = Sport	T = JEEP - 2WD	74 = 4 Dr (101.4WB)	ENC = ENGINE - 2.5L 4 CYL TURBO DIESEL	DDD = TRANSMISSION - 5-SPEED HD MANUAL
L = SE	B = JEEP - 2WD (RHD)	72 = 2 Dr (101.4WB)	EPE = ENGINE - 2.5L POWER TECH I-4 Cyl.	DDQ = TRANSMISSION - 5-SPEED MANUAL
P = Classic	J = JEEP - 4WD		ERH = ENGINE - 4.0L POWER TECH I-6	DGD = TRANSMISSION - 3-SPD. AUTOMATIC,30RH
S = Limited	U = JEEP - 4WD (RHD)			DGK = TRANSMISSION - 4-SPD. AUTOMATIC,42RE
				DGS = TRANSMISSION-4SPD. AUTO,AISIN WARNER
				DGT = TRANSMISSION - 4-SPD. AUTOMATIC,46RE
				DGW = TRANSMISSION - 4-SPD. AUTOMATIC,44RE
				DGX = TRANSMISSION - 4-SPEED AUTOMATIC
				DBB = ALL MANUAL TRANSMISSIONS
				DGO = ALL AUTOMATIC TRANSMISSIONS

AR = use ase required - = Non illustrated part

2000 XJ

Group - 13

Frames and Bumpers

Group - 13 Frames and Bumpers

Group-Fig. No.

Illustration Title

Front Bumper and Fascia

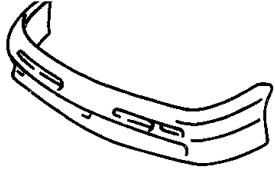
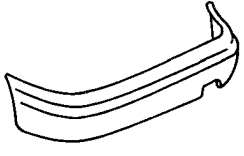

Bumper, FrontFig. 13 - 210

Rear Bumper and Fascia

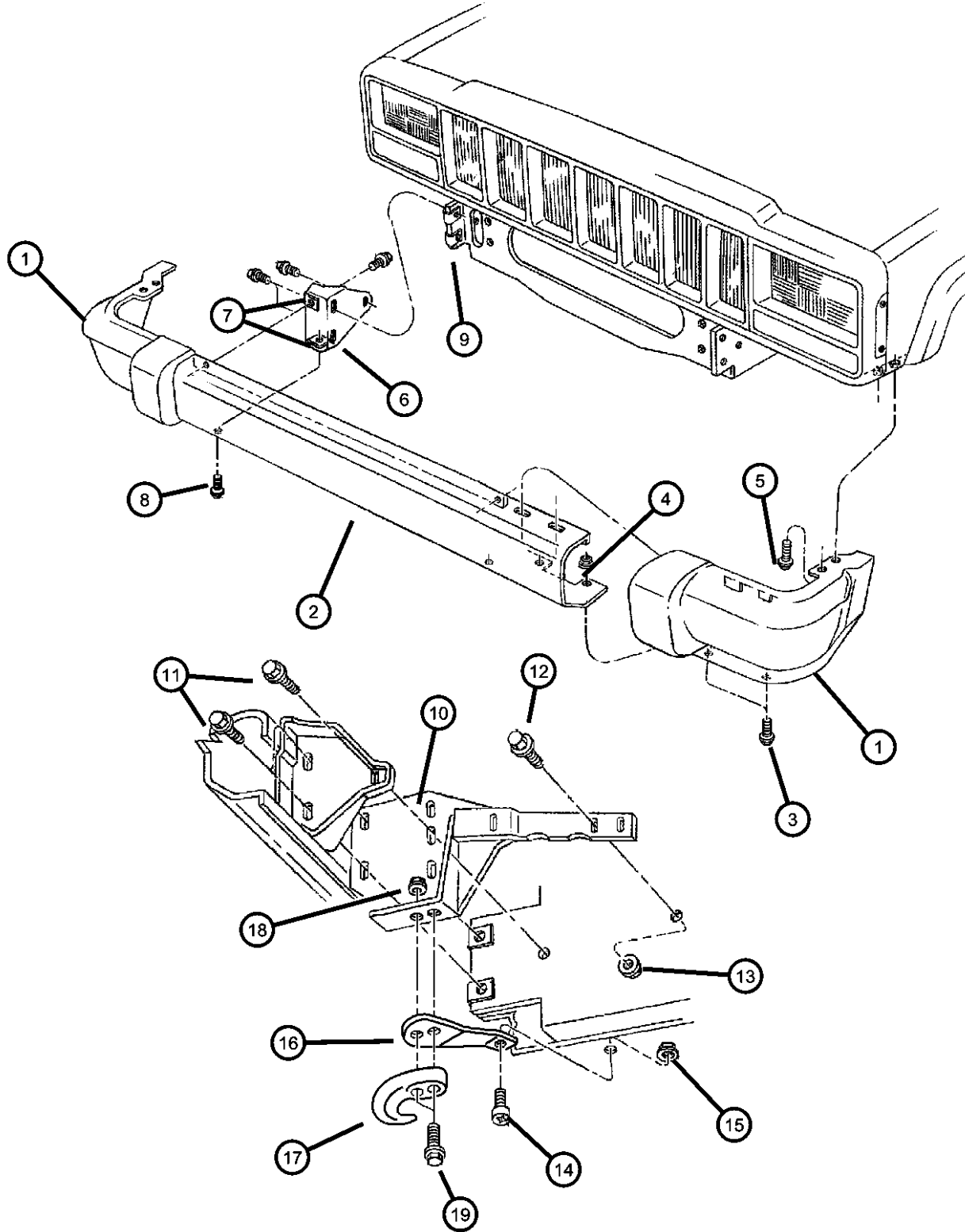
Bumper, Rear.....Fig. 13 - 310

Trailer Tow

Hitch, Trailer Tow.....Fig. 13 - 610

<p>013-200 Front Bumper and Fascia</p> 	<p>013-300 Rear Bumper and Fascia</p> 	<p>013-600 Trailer Tow</p> 	
--	--	---	--

Bumper, Front
Figure 13-210



ITEM	PART NUMBER	QTY	LINE	SERIES	BODY	ENGINE	TRANS	TRIM	DESCRIPTION
1									END CAP, Bumper
	5DY00DX8AC	1							[X8] [MBM], Right
	5DY00PR4AC	1							[R4] [MBM], Right
	5DY00RJPAC	1							[JP] [MBM], Right
	5DY00SG8AC	1							[G8] [MBM], Right
	5DY00SW1AC	1							[W1] [MBM], Right
	5DY00WB-TAC	1							[BT] [MBM], Right
	5DY00WT-DAC	1							[TD] [MBM], Right
	5DY00WU7AC	1							[U7] [MBM], Right
	5DY00XS5AC	1							[S5] [MBM], Right
	5DY01DX8AC	1							[X8] [MBM], Left
	5DY01PR4AC	1							[R4] [MBM], Left
	5DY01RJPAC	1							[JP] [MBM], Left
	5DY01SG8AC	1							[G8] [MBM], Left
	5DY01SW1AC	1							[W1] [MBM], Left
	5DY01WB-TAC	1							[BT] [MBM], Left
	5DY01WT-DAC	1							[TD] [MBM], Left
	5DY01WU7AC	1							[U7] [MBM], Left
	5DY01XS5AC	1							[S5] [MBM], Left
	5DY40DX9AC	1							Sport [MBK], Right
	5DY41DX9AC	1							Sport [MBK], Left
2									BAR, Bumper Front - Painted
	5EE85DX8AC	1							[X8] [MBL]
	5EE85JX8AC	1							Black [MBJ]

CHEROKEE (XJ)

SERIES

H = Sport
L = SE
P = Classic
S = Limited

LINE

T = JEEP - 2WD
B = JEEP - 2WD (RHD)
J = JEEP - 4WD
U = JEEP - 4WD (RHD)

BODY

74 = 4 Dr (101.4WB)
72 = 2 Dr (101.4WB)

ENGINE

ENC = ENGINE - 2.5L 4 CYL TURBO DIESEL
EPE = ENGINE - 2.5L POWER TECH I-4 Cyl.
ERH = ENGINE - 4.0L POWER TECH I-6

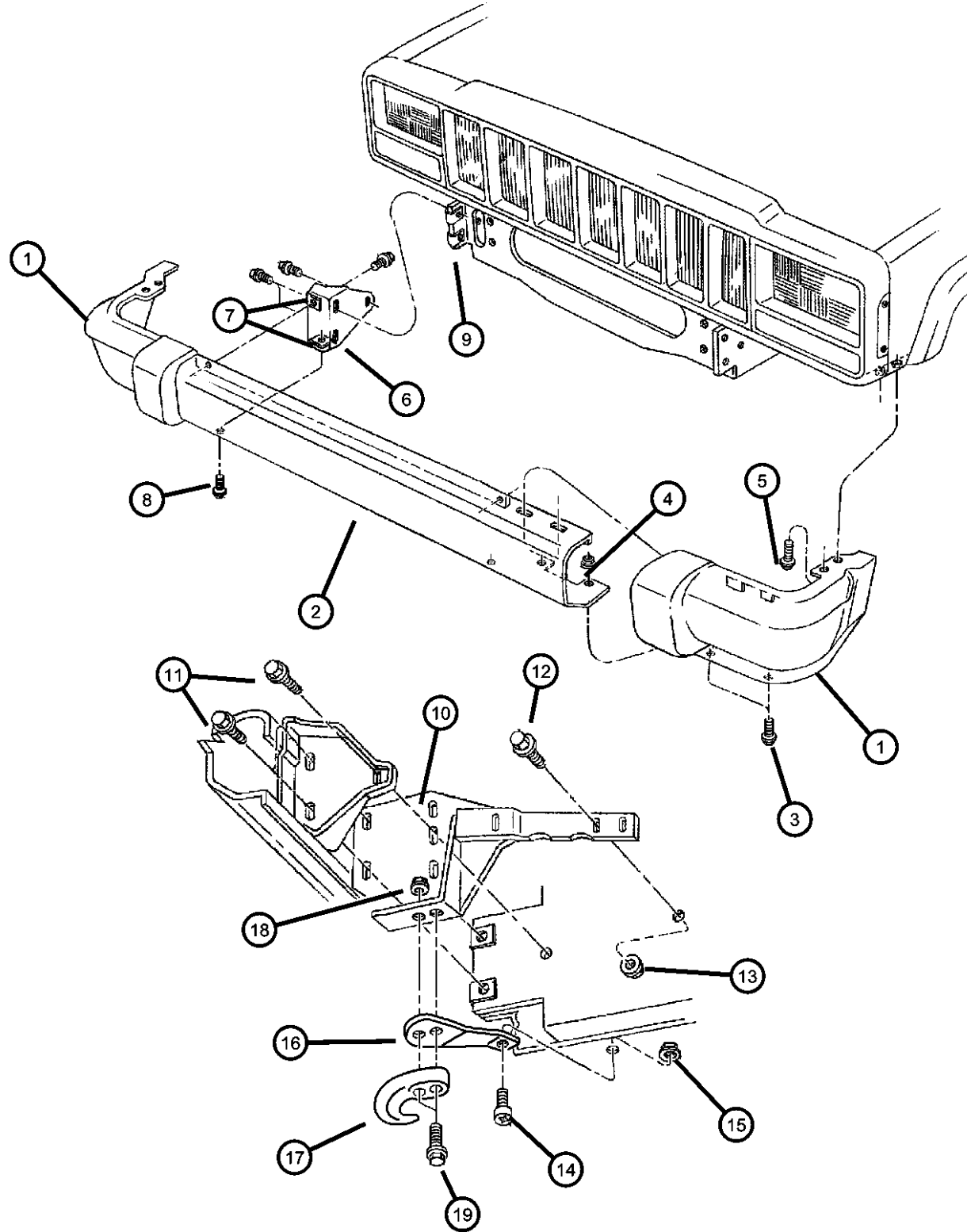
TRANSMISSION

DDD = TRANSMISSION - 5-SPEED HD MANUAL
DDQ = TRANSMISSION - 5-SPEED MANUAL
DGD = TRANSMISSION - 3-SPD. AUTOMATIC,30RH
DGK = TRANSMISSION - 4-SPD. AUTOMATIC,42RE
DGS = TRANSMISSION-4SPD. AUTO,AISIN WARNER
DGT = TRANSMISSION - 4-SPD. AUTOMATIC,46RE
DGW = TRANSMISSION - 4-SPD. AUTOMATIC,44RE
DGX = TRANSMISSION - 4-SPEED AUTOMATIC
DBB = ALL MANUAL TRANSMISSIONS
DGO = ALL AUTOMATIC TRANSMISSIONS

AR = use ase required - = Non illustrated part

2000 XJ

Bumper, Front
Figure 13-210



ITEM	PART NUMBER	QTY	LINE	SERIES	BODY	ENGINE	TRANS	TRIM	DESCRIPTION
	5EE85PR4AC	1							[R4] [MBL]
	5EE85RJPAC	1							[JP] [MBL]
	5EE85SG8AC	1							[G8] [MBL]
	5EE85SW1AC	1							[W1] [MBL]
	5EE85WB-TAC	1							[BT] [MBL]
	5EE85WT-DAC	1							[TD] [MBL]
	5EE85WU7AC	1							[U7] [MBL]
	5EE85XS5AC	1							[S5] [MBL]
3	5EE85XS5AC	1							BOLT AND CONED WASHER, Hex Head, M6x20x12.5, (NOT REQUIRED), NUT, M6x1.00
4	06101694	4							SCREW, Hex Head, M6x1x20
5	06504249	4							BRACKET, Bumper
6									Right
	55175268AB	1							Left
	55175269AB	1							
7	11500662	4							NUT, U Type, M10 x 1.50
8	06506127AA	2							SCREW, Pan Head
9	34201540	2							BOLT AND WASHER, Implement Attaching
10									BRACKET, Front Bumper
	55155096AB	1							Right
	55155097AB	1							Left
11	34202219	6							BOLT AND WASHER, Hex Head
12	34202388	1							BOLT, Button Head Torx, M14 x 2.0 x 80

CHEROKEE (XJ)

SERIES	LINE
H = Sport	T = JEEP - 2WD
L = SE	B = JEEP - 2WD (RHD)
P = Classic	J = JEEP - 4WD
S = Limited	U = JEEP - 4WD (RHD)

BODY
74 = 4 Dr (101.4WB)
72 = 2 Dr (101.4WB)

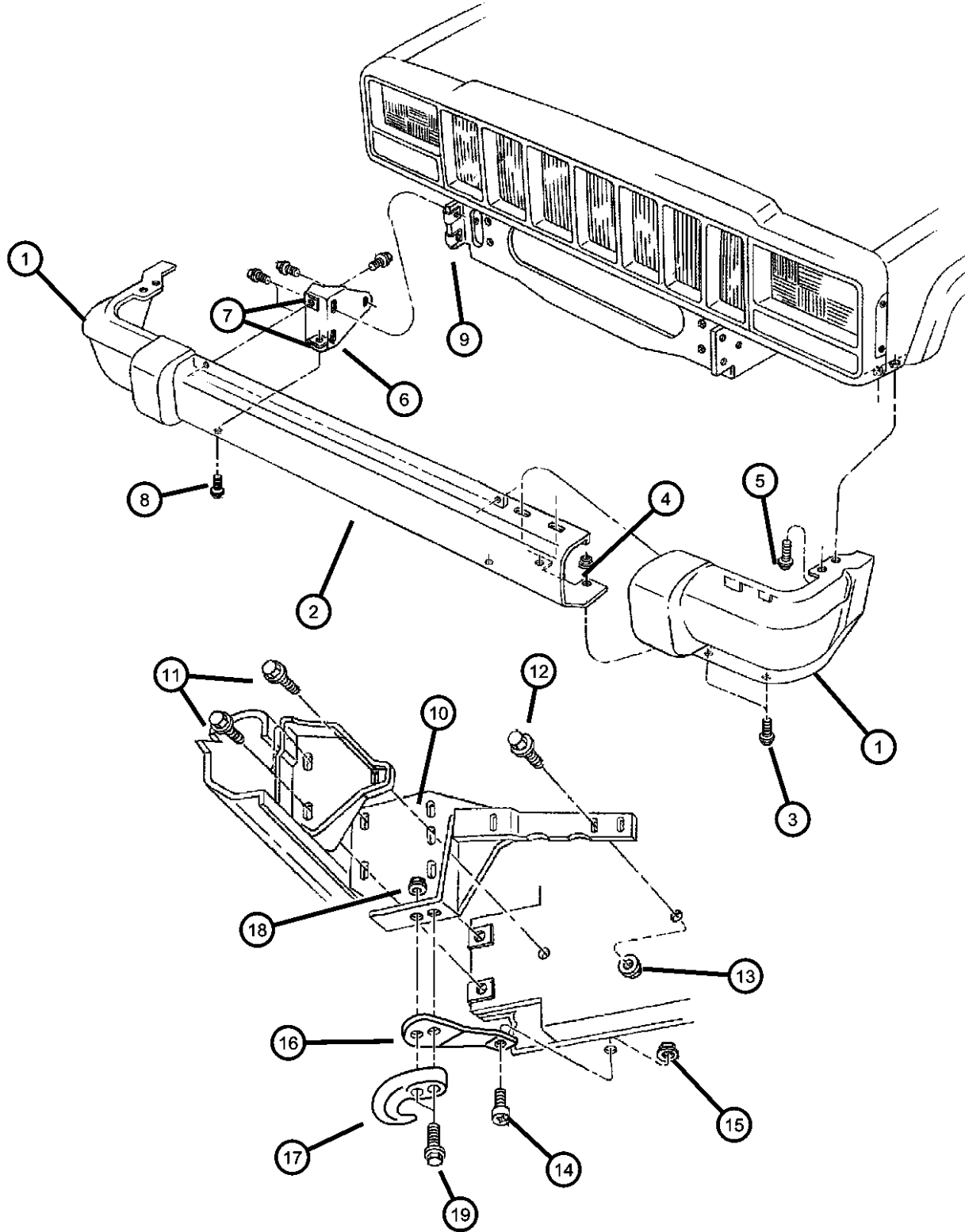
ENGINE
ENC = ENGINE - 2.5L 4 CYL TURBO DIESEL
EPE = ENGINE - 2.5L POWER TECH I-4 Cyl.
ERH = ENGINE - 4.0L POWER TECH I-6

TRANSMISSION
DDD = TRANSMISSION - 5-SPEED HD MANUAL
DDQ = TRANSMISSION - 5-SPEED MANUAL
DGD = TRANSMISSION - 3-SPD. AUTOMATIC,30RH
DGK = TRANSMISSION - 4-SPD. AUTOMATIC,42RE
DGS = TRANSMISSION-4SPD. AUTO,AISIN WARNER
DGT = TRANSMISSION - 4-SPD. AUTOMATIC,46RE
DGW = TRANSMISSION - 4-SPD. AUTOMATIC,44RE
DGX = TRANSMISSION - 4-SPEED AUTOMATIC
DBB = ALL MANUAL TRANSMISSIONS
DGO = ALL AUTOMATIC TRANSMISSIONS

AR = use ase required - = Non illustrated part

2000 XJ

Bumper, Front
Figure 13-210



ITEM	PART NUMBER	QTY	LINE	SERIES	BODY	ENGINE	TRANS	TRIM	DESCRIPTION
13	06502698	1							NUT
14	06101452	2							SCREW AND WASHER, Hex Head, M8x1.25x20
15	06101695	2							NUT, Hex Flange Lock, M8x1.25
16									BRACE, Tow Hook
	52001972	1							Right
	52001973	1							Left
17	52057999AB	2							HOOK, Tow
18	06502697	2							NUT, Hex Flange Lock, M12x1.75
19	06504910AA	4							BOLT, Hex Flange Head, M12x1.75x87.50
-20									DEFLECTOR, Air
	5EF08DX9	1			L				Black
		1			H				Black
	5EP04DX8	1			P				[K3X]
	5EP04PR4	1			P				[K3R]
	5EP04RJP	1			P				[K3M]
	5EP04SG8	1			P				[K3G]
	5EP04SW1	1			P				[K3N]
	5EP04WBT	1			P				[K3B]
	5EP04WTD	1			P				[K3S]
	5EP04WU7	1			P				[K3U]
	5EP04XS5	1			P				[K3L]
-21	06035944AA	3							RIVET
-22	52003479	1							BRACKET, License Plate

CHEROKEE (XJ)

SERIES	LINE
H = Sport	T = JEEP - 2WD
L = SE	B = JEEP - 2WD (RHD)
P = Classic	J = JEEP - 4WD
S = Limited	U = JEEP - 4WD (RHD)

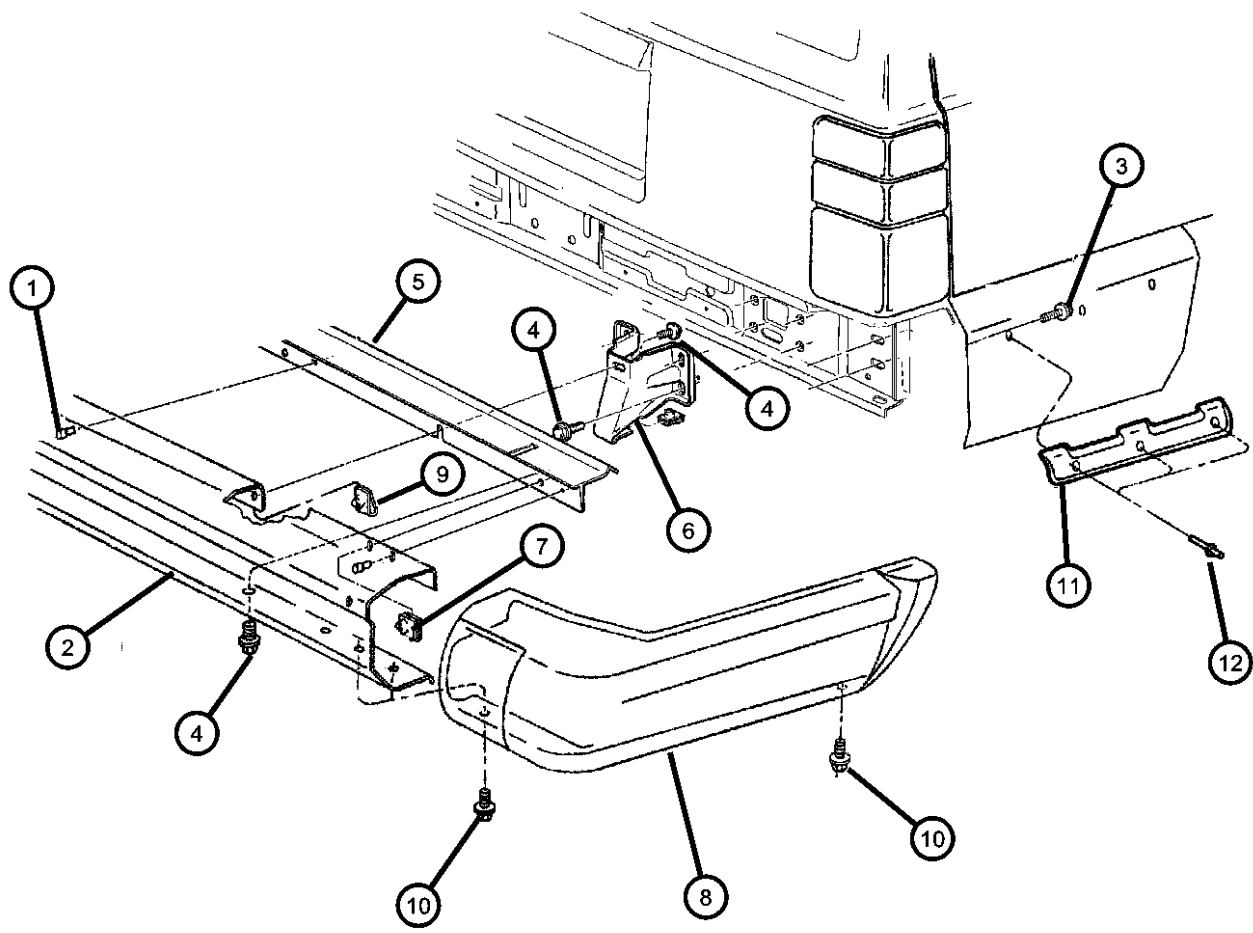
BODY
74 = 4 Dr (101.4WB)
72 = 2 Dr (101.4WB)

ENGINE	TRANSMISSION
ENC = ENGINE - 2.5L 4 CYL TURBO DIESEL	DDD = TRANSMISSION - 5-SPEED HD MANUAL
EPE = ENGINE - 2.5L POWER TECH I-4 Cyl.	DDQ = TRANSMISSION - 5-SPEED MANUAL
ERH = ENGINE - 4.0L POWER TECH I-6	DGD = TRANSMISSION - 3-SPD. AUTOMATIC,30RH
	DGK = TRANSMISSION - 4-SPD. AUTOMATIC,42RE
	DGS = TRANSMISSION-4SPD. AUTO,AISIN WARNER
	DGT = TRANSMISSION - 4-SPD. AUTOMATIC,46RE
	DGW = TRANSMISSION - 4-SPD. AUTOMATIC,44RE
	DGX = TRANSMISSION - 4-SPEED AUTOMATIC
	DBB = ALL MANUAL TRANSMISSIONS
	DGO = ALL AUTOMATIC TRANSMISSIONS

AR = use ase required - = Non illustrated part

2000 XJ

Bumper, Rear
Figure 13-310



ITEM	PART NUMBER	QTY	LINE	SERIES	BODY	ENGINE	TRANS	TRIM	DESCRIPTION
1	52003479	1							RIVET, M5x20.00 Plastic, (NOT SERVICED)
2	5EE84DX8AF	1							BUMPER, Rear
3	J4001933	4							SCREW, Hex Flange Head, .312-x18x.875
4	34201540	8							BOLT AND WASHER, Implement Attaching
5	55026542	1							SHIELD, Bumper
6									BRACKET, Bumper
	55155990AA	1							Right
	55155991AA	1							Left
7	55155991AA	1							U-NUT, M8x1.25, (NOT SERVICED)
8									END CAP, Bumper
	5DY08DX8	1							[PX8] [MBW], Right
	5DY08PR4	1							[PR4] [MBW], Right
	5DY08RJP	1							[PJP] [MBW], Right
	5DY08SG8	1							[PG8] [MBW], Right
	5DY08SW1	1							[PW1] [MBW], Right
	5DY08WBT	1							[PBT] [MBW], Right
	5DY08WTD	1							[PTD] [MBW], Right
	5DY08WU7	1							[PU7] [MBW], Right
	5DY08XS5	1							[PS5] [MBW], Right
	5DY09DX8	1							[PX8] [MBW], Left
	5DY09PR4	1							[PR4] [MBW], Left
	5DY09RJP	1							[PJP] [MBW], Left
	5DY09SG8	1							[PG8] [MBW], Left
	5DY09SW1	1							[PW1] [MBW], Left

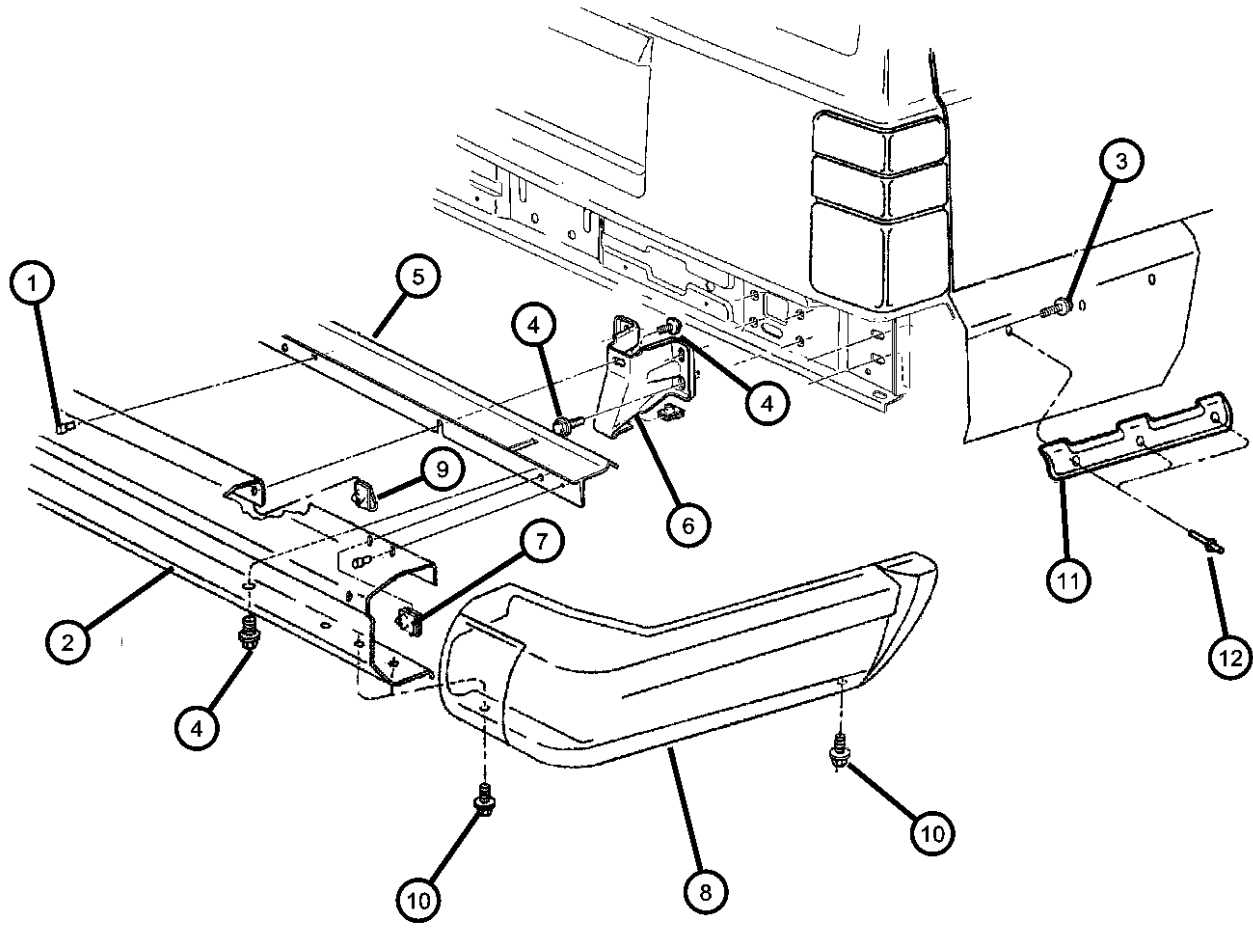
CHEROKEE (XJ)

SERIES	LINE	BODY	ENGINE	TRANSMISSION
H = Sport	T = JEEP - 2WD	74 = 4 Dr (101.4WB)	ENC = ENGINE - 2.5L 4 CYL TURBO DIESEL	DDD = TRANSMISSION - 5-SPEED HD MANUAL
L = SE	B = JEEP - 2WD (RHD)	72 = 2 Dr (101.4WB)	EPE = ENGINE - 2.5L POWER TECH I-4 Cyl.	DDQ = TRANSMISSION - 5-SPEED MANUAL
P = Classic	J = JEEP - 4WD		ERH = ENGINE - 4.0L POWER TECH I-6	DGD = TRANSMISSION - 3-SPD. AUTOMATIC,30RH
S = Limited	U = JEEP - 4WD (RHD)			DGK = TRANSMISSION - 4-SPD. AUTOMATIC,42RE
				DGS = TRANSMISSION-4SPD. AUTO,AISIN WARNER
				DGT = TRANSMISSION - 4-SPD. AUTOMATIC,46RE
				DGW = TRANSMISSION - 4-SPD. AUTOMATIC,44RE
				DGX = TRANSMISSION - 4-SPEED AUTOMATIC
				DBB = ALL MANUAL TRANSMISSIONS
				DGO = ALL AUTOMATIC TRANSMISSIONS

AR = use ase required - = Non illustrated part

Bumper, Rear
Figure 13-310

ITEM	PART NUMBER	QTY	LINE	SERIES	BODY	ENGINE	TRANS	TRIM	DESCRIPTION
	5DY09WBT	1							[PBT] [MBW], Left
	5DY09WTD	1							[PTD] [MBW], Left
	5DY09WU7	1							[PU7] [MBW], Left
	5DY09XS5	1							[PS5] [MBW], Left
	5DY10DX9	1							[MBS}, Right
	5DY11DX9	1							[MBS}, Left
9	11500662	4							NUT, U Type, M10 x 1.50
10	06101455	2							SCREW AND WASHER, Hex Head, M6x1x20
11									BRACKET
	55175692	1							Right
	55175693	1							Left
12	06035122	4							RIVET, .187x.70 Black



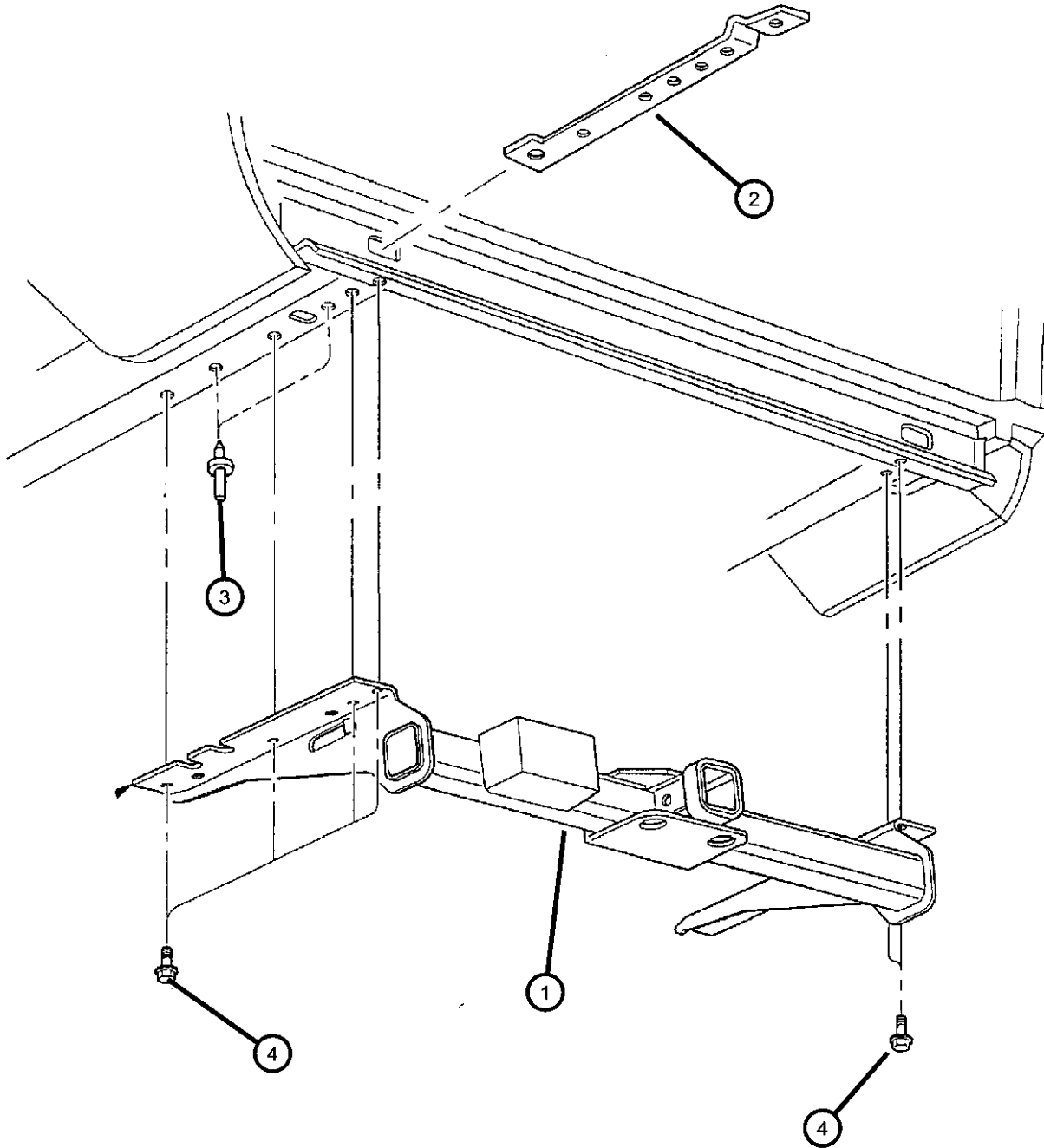
CHEROKEE (XJ)

SERIES	LINE	BODY	ENGINE	TRANSMISSION
H = Sport	T = JEEP - 2WD	74 = 4 Dr (101.4WB)	ENC = ENGINE - 2.5L 4 CYL TURBO DIESEL	DDD = TRANSMISSION - 5-SPEED HD MANUAL
L = SE	B = JEEP - 2WD (RHD)	72 = 2 Dr (101.4WB)	EPE = ENGINE - 2.5L POWER TECH I-4 Cyl.	DDQ = TRANSMISSION - 5-SPEED MANUAL
P = Classic	J = JEEP - 4WD		ERH = ENGINE - 4.0L POWER TECH I-6	DGD = TRANSMISSION - 3-SPD. AUTOMATIC,30RH
S = Limited	U = JEEP - 4WD (RHD)			DGK = TRANSMISSION - 4-SPD. AUTOMATIC,42RE
				DGS = TRANSMISSION-4SPD. AUTO,AISIN WARNER
				DGT = TRANSMISSION - 4-SPD. AUTOMATIC,46RE
				DGW = TRANSMISSION - 4-SPD. AUTOMATIC,44RE
				DGX = TRANSMISSION - 4-SPEED AUTOMATIC
				DBB = ALL MANUAL TRANSMISSIONS
				DGO = ALL AUTOMATIC TRANSMISSIONS

AR = use ase required - = Non illustrated part

Hitch, Trailer Tow
Figure 13-610

ITEM	PART NUMBER	QTY	LINE	SERIES	BODY	ENGINE	TRANS	TRIM	DESCRIPTION
1	52058266	1							HITCH, Trailer
2	52001174	1							REINFORCEMENT, Sill Right
	52001175	1							Left
3	52001175	1							RIVET, M6.3x14.02, (NOT SERVICED)
4	34201964	6							BOLT, Hex Flange Head, M12x1.75x40



CHEROKEE (XJ)

SERIES	LINE
H = Sport	T = JEEP - 2WD
L = SE	B = JEEP - 2WD (RHD)
P = Classic	J = JEEP - 4WD
S = Limited	U = JEEP - 4WD (RHD)

BODY
74 = 4 Dr (101.4WB)
72 = 2 Dr (101.4WB)

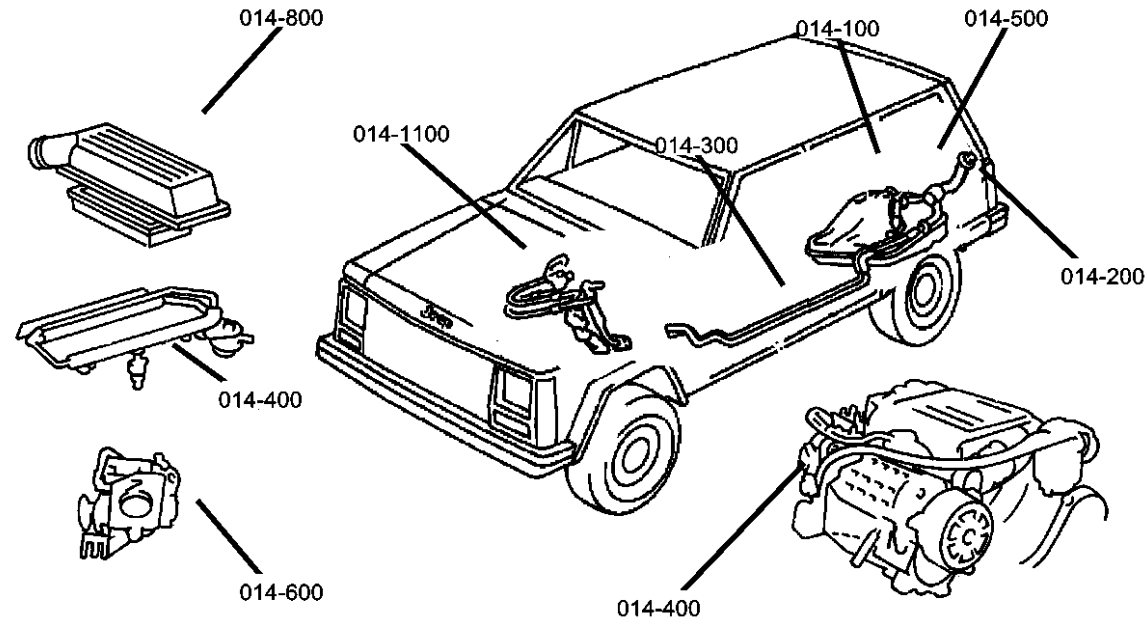
ENGINE	TRANSMISSION
ENC = ENGINE - 2.5L 4 CYL TURBO DIESEL	DDD = TRANSMISSION - 5-SPEED HD MANUAL
EPE = ENGINE - 2.5L POWER TECH I-4 Cyl.	DDQ = TRANSMISSION - 5-SPEED MANUAL
ERH = ENGINE - 4.0L POWER TECH I-6	DGD = TRANSMISSION - 3-SPD. AUTOMATIC,30RH
	DGK = TRANSMISSION - 4-SPD. AUTOMATIC,42RE
	DGS = TRANSMISSION-4SPD. AUTO,AISIN WARNER
	DGT = TRANSMISSION - 4-SPD. AUTOMATIC,46RE
	DGW = TRANSMISSION - 4-SPD. AUTOMATIC,44RE
	DGX = TRANSMISSION - 4-SPEED AUTOMATIC
	DBB = ALL MANUAL TRANSMISSIONS
	DGO = ALL AUTOMATIC TRANSMISSIONS

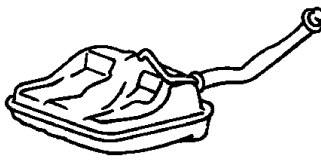
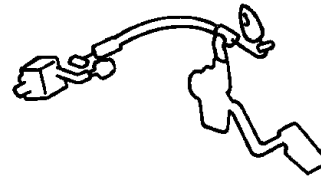

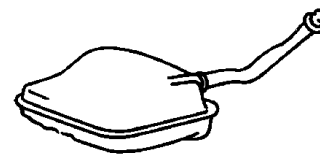

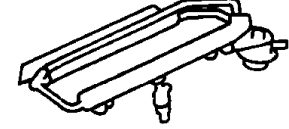
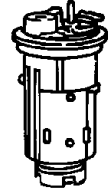

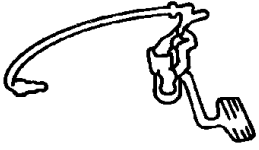
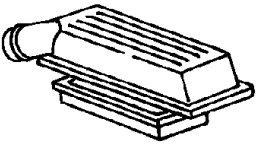

AR = use ase required - = Non illustrated part

2000 XJ

Group - 14

Fuel

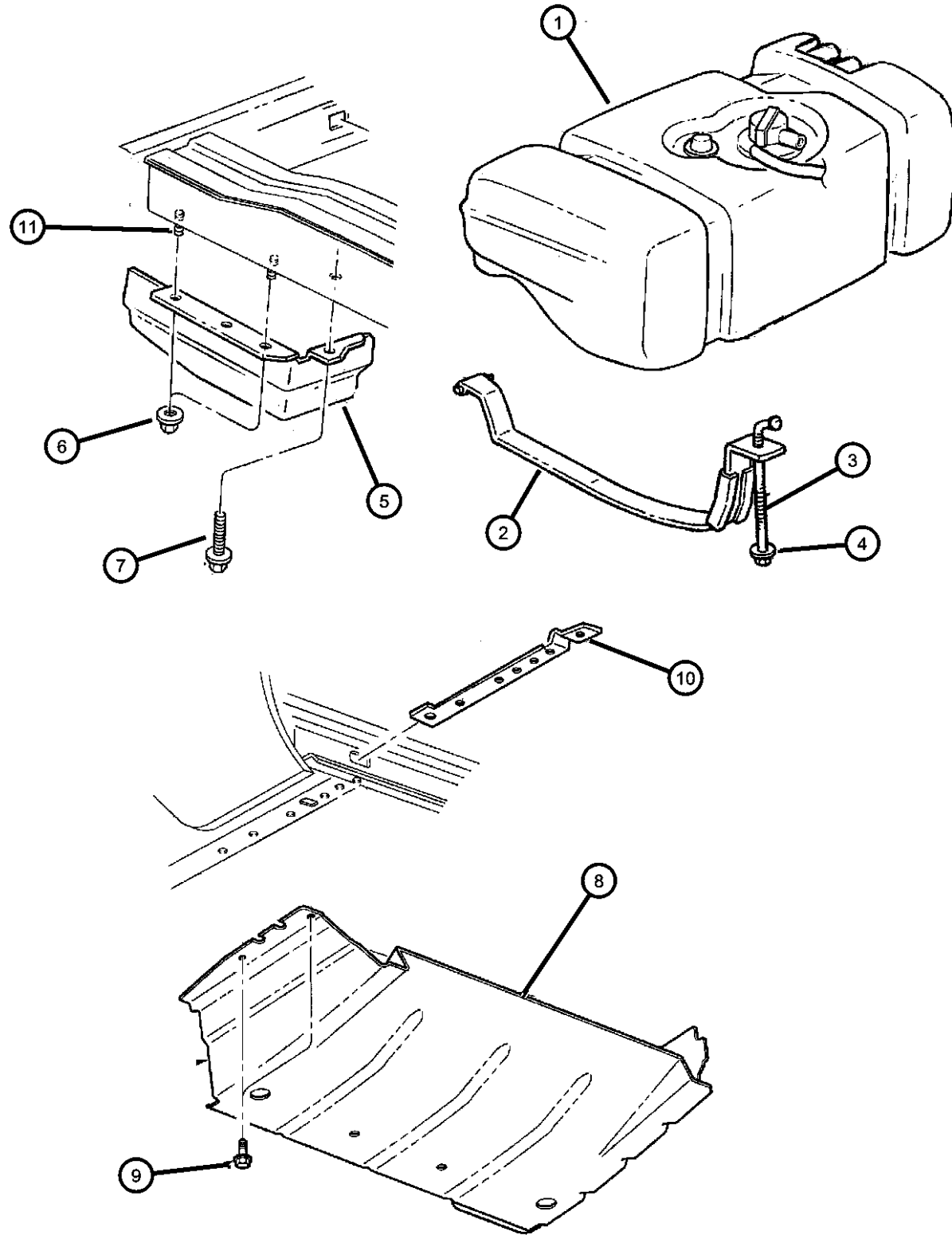


014-100 Tank, Fuel 	014-1000 Speed Control 	014-1100 Accelerator Pedal 	014-200 Fuel Tank Filler Tube 
014-300 Fuel Lines 	014-400 Fuel Rail 	014-500 Fuel Pump and Sending Unit 	014-600 Throttle Body 
014-700 Throttle Controls 	014-800 Air Cleaner 	014-900 Air Intake System 	

Group - 14 Fuel

Illustration Title	Group-Fig. No.
Tank, Fuel	
Fuel Tank	Fig. 14 - 120
Fuel Tank Filler Tube	
Fuel Tank Filler Tube.....	Fig. 14 - 220
Fuel Lines	
Fuel Lines, Front	Fig. 14 - 310
Fuel Lines, Rear.....	Fig. 14 - 320
Fuel Lines, Front	Fig. 14 - 325
Fuel Lines, Rear.....	Fig. 14 - 335
Fuel Rail	
Fuel Injection System	Fig. 14 - 410
Fuel Injection System	Fig. 14 - 440
Fuel Injection Pump.....	Fig. 14 - 460
Fuel Pump and Sending Unit	
Fuel Pump and Sending Unit.....	Fig. 14 - 520
Throttle Body	
Throttle Body	Fig. 14 - 610
Turbocharger	Fig. 14 - 660
Throttle Controls	
Throttle Controls.....	Fig. 14 - 720
Air Cleaner	
Air Cleaner Gas	Fig. 14 - 820
Air Cleaner Diesel.....	Fig. 14 - 835
Air Intake System	
Air Intake System	Fig. 14 - 910
Speed Control	
Speed Control	Fig. 14 - 1010
Accelerator Pedal	
Accelerator Pedal	Fig. 14 - 1110

Fuel Tank
Figure 14-120



ITEM	PART NUMBER	QTY	LINE	SERIES	BODY	ENGINE	TRANS	TRIM	DESCRIPTION
------	-------------	-----	------	--------	------	--------	-------	------	-------------

NOTE: EP0=All 2.5L Gas Engines, EN0=All 2.5L Diesel Engines, ER0=All 4.0L Engines

1									TANK, Fuel
	52100179AD	1				EP0, ER0			
		1				EN0			
2	52100009AB	2							STRAP, Fuel Tank
3	52100362AA	2							J BOLT, Fuel Tank Support
4	06034955	2							NUT, Hex Flange Lock, .375-16
5	52100338AA	1							SHIELD, Fuel Tank
6	06100055	2							NUT AND WASHER, Hex Nut-Coned Washer, M12 x 1.75
7	06101777	4							SCREW, Hex Flange Head Tapping, M6x1.00x20.00
8	52100328AA	1							PLATE, Skid
9	34201964	2							BOLT, Hex Flange Head, M12x1.75x40
10									REINFORCEMENT, Sill
	52001174	1							Right
	52001175	1							Left
11	06505137AA	2							STUD, M12x1.75x72.00
-12	05278632AA	1							CAP, Fuel Filler

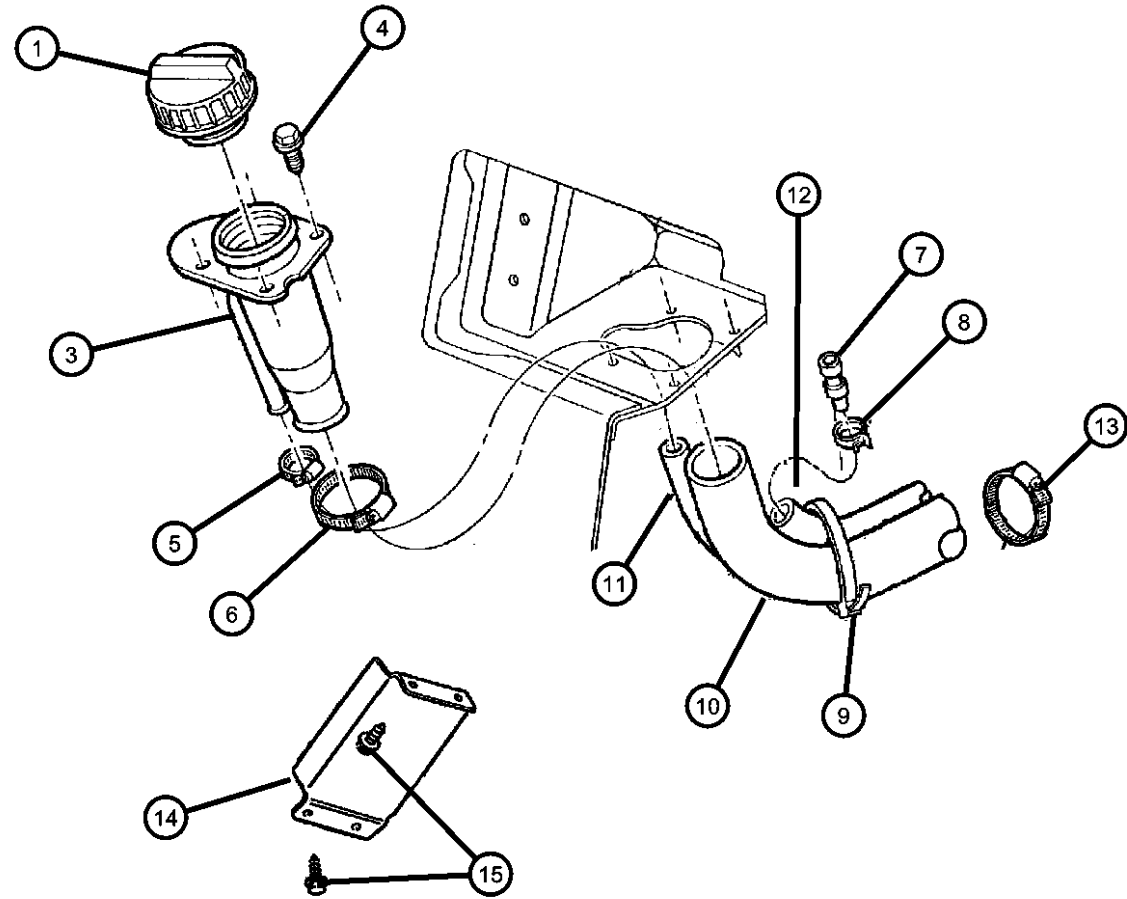
CHEROKEE (XJ)

SERIES	LINE	BODY	ENGINE	TRANSMISSION
H = Sport	T = JEEP - 2WD	74 = 4 Dr (101.4WB)	ENC = ENGINE - 2.5L 4 CYL TURBO DIESEL	DDD = TRANSMISSION - 5-SPEED HD MANUAL
L = SE	B = JEEP - 2WD (RHD)	72 = 2 Dr (101.4WB)	EPE = ENGINE - 2.5L POWER TECH I-4 Cyl.	DDQ = TRANSMISSION - 5-SPEED MANUAL
P = Classic	J = JEEP - 4WD		ERH = ENGINE - 4.0L POWER TECH I-6	DGD = TRANSMISSION - 3-SPD. AUTOMATIC,30RH
S = Limited	U = JEEP - 4WD (RHD)			DGK = TRANSMISSION - 4-SPD. AUTOMATIC,42RE
				DGS = TRANSMISSION-4SPD. AUTO,AISIN WARNER
				DGT = TRANSMISSION - 4-SPD. AUTOMATIC,46RE
				DGW = TRANSMISSION - 4-SPD. AUTOMATIC,44RE
				DGX = TRANSMISSION - 4-SPEED AUTOMATIC
				DBB = ALL MANUAL TRANSMISSIONS
				DGO = ALL AUTOMATIC TRANSMISSIONS

AR = use ase required - = Non illustrated part

2000 XJ

**Fuel Tank Filler Tube
Figure 14-220**



ITEM	PART NUMBER	QTY	LINE	SERIES	BODY	ENGINE	TRANS	TRIM	DESCRIPTION
------	-------------	-----	------	--------	------	--------	-------	------	-------------

NOTE: EP0=All 2.5L Gas Engines, EN0=All 2.5L Diesel Engines, ER0=All 4.0L Gas Engines

1	05278632AA	1							CAP, Fuel Filler, Non - Locking Quick On
-2	05015636AB	1							CAP KIT, Fuel Tank Locking, Locking Quick On
3	52100173AC	1				EP0, ER0			TUBE, Fuel Filler
	52100174AB	1							Leaded Fuel and Diesel
4	00154236	4							SCREW, Stake, .19-24
5	J3203077	1							CLAMP, Hose
6	J3203077	1							CLAMP, (NOT SERVICED)
7	J5352955	1	J, U						VENT, Axle
8	06502081	1				EN0			CLAMP, Oil Cooler Line
		1				EP0, ER0			
9	04641780	1				EP0, ER0			STRAP, Tie
10	52100131AC	1				EP0, ER0			HOSE, Fuel Filler
		1				EN0			
11	52100132	1				EP0, ER0			HOSE, Fuel Filler Vent
		1				EN0			
12	52018866	1				EN0			TUBE, Vent
13	52018866	1							CLAMP, HOSE CLAMP, (NOT SERVICED)
14	55003285AB	1							SHIELD, Heat
15	34201895	2							SCREW, Hex Head Tapping, M6.3x1.81x16.00

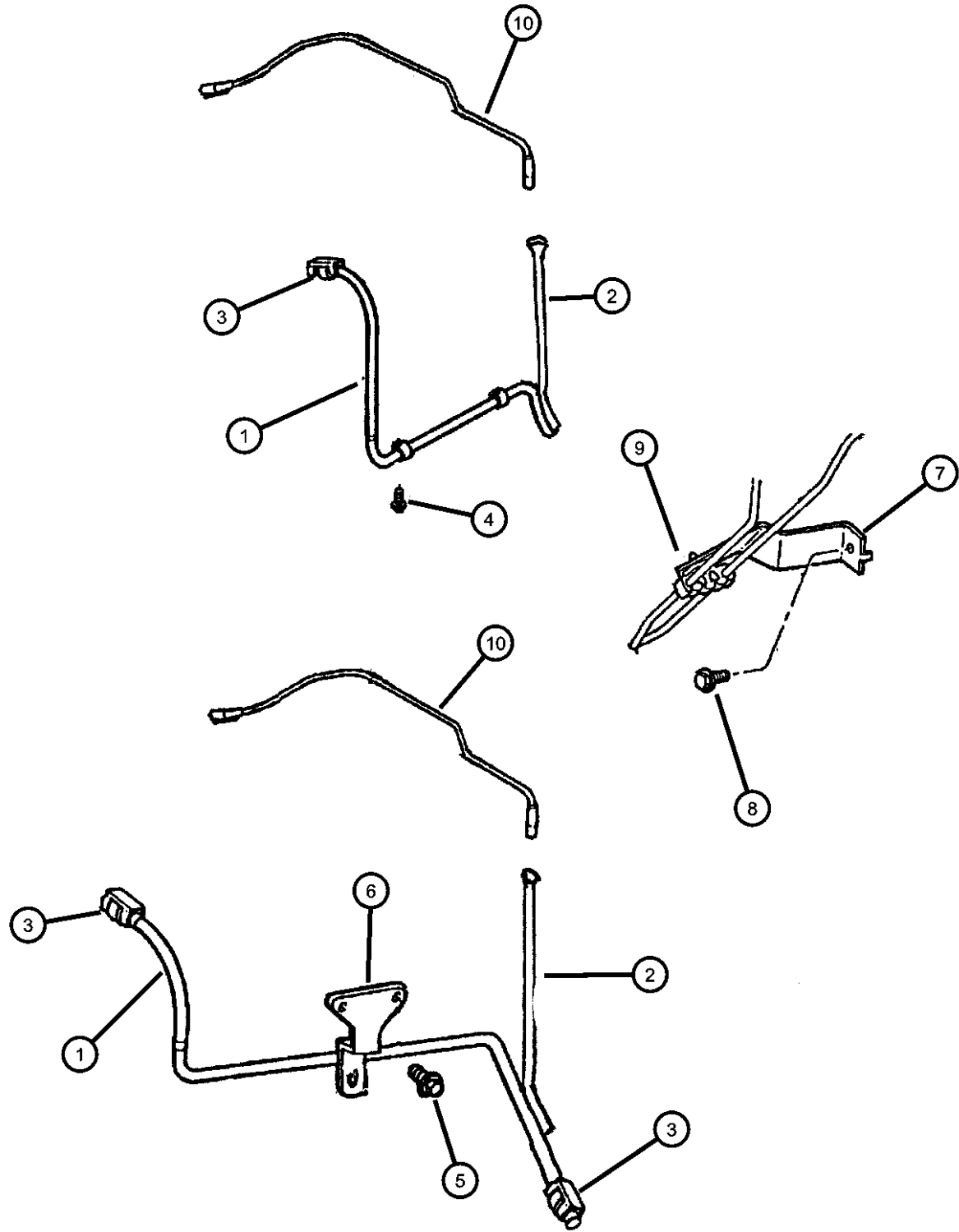
CHEROKEE (XJ)

SERIES	LINE	BODY	ENGINE	TRANSMISSION
H = Sport	T = JEEP - 2WD	74 = 4 Dr (101.4WB)	ENC = ENGINE - 2.5L 4 CYL TURBO DIESEL	DDD = TRANSMISSION - 5-SPEED HD MANUAL
L = SE	B = JEEP - 2WD (RHD)	72 = 2 Dr (101.4WB)	EPE = ENGINE - 2.5L POWER TECH I-4 Cyl.	DDQ = TRANSMISSION - 5-SPEED MANUAL
P = Classic	J = JEEP - 4WD		ERH = ENGINE - 4.0L POWER TECH I-6	DGD = TRANSMISSION - 3-SPD. AUTOMATIC,30RH
S = Limited	U = JEEP - 4WD (RHD)			DGK = TRANSMISSION - 4-SPD. AUTOMATIC,42RE
				DGS = TRANSMISSION-4SPD. AUTO,AISIN WARNER
				DGT = TRANSMISSION - 4-SPD. AUTOMATIC,46RE
				DGW = TRANSMISSION - 4-SPD. AUTOMATIC,44RE
				DGX = TRANSMISSION - 4-SPEED AUTOMATIC
				DBB = ALL MANUAL TRANSMISSIONS
				DGO = ALL AUTOMATIC TRANSMISSIONS

AR = use ase required - = Non illustrated part

2000 XJ

Fuel Lines, Front
Figure 14-310



ITEM	PART NUMBER	QTY	LINE	SERIES	BODY	ENGINE	TRANS	TRIM	DESCRIPTION
------	-------------	-----	------	--------	------	--------	-------	------	-------------

NOTE: EP0=All 2.5L Gas Engines, ER0=All 4.0L Engines

1									BUNDLE, Fuel Line
	52100135AE	1				EP0			
	52100349AB	1				ER0			
2	52100162AE	1				EP0, ER0			TUBE, Fuel Vapor
3									CLIP, Fuel Line
	52127788	1				EP0			
		2				ER0			
4	06101786	2				EP0			SCREW, Self Tapping, M6x1x15
5	06505600AA	1				ER0			STUD
6	06505648AA	1				ER0			CLIP, Fuel Line
7	52100314AA	1							BRACKET, Fuel Line
8	34201895	2							SCREW, Hex Head Tapping, M6.3x1.81x16.00
9	52100286AC	7							CLIP, 5 Way
10	52100126AB	1	B, U			EP0, ER0			TUBE, Fuel Vapor

CHEROKEE (XJ)

SERIES	LINE
H = Sport	T = JEEP - 2WD
L = SE	B = JEEP - 2WD (RHD)
P = Classic	J = JEEP - 4WD
S = Limited	U = JEEP - 4WD (RHD)

BODY
74 = 4 Dr (101.4WB)
72 = 2 Dr (101.4WB)

ENGINE	TRANSMISSION
ENC = ENGINE - 2.5L 4 CYL TURBO DIESEL	DDD = TRANSMISSION - 5-SPEED HD MANUAL
EPE = ENGINE - 2.5L POWER TECH I-4 Cyl.	DDQ = TRANSMISSION - 5-SPEED MANUAL
ERH = ENGINE - 4.0L POWER TECH I-6	DGD = TRANSMISSION - 3-SPD. AUTOMATIC,30RH
	DGK = TRANSMISSION - 4-SPD. AUTOMATIC,42RE
	DGS = TRANSMISSION-4SPD. AUTO,AISIN WARNER
	DGT = TRANSMISSION - 4-SPD. AUTOMATIC,46RE
	DGW = TRANSMISSION - 4-SPD. AUTOMATIC,44RE
	DGX = TRANSMISSION - 4-SPEED AUTOMATIC
	DBB = ALL MANUAL TRANSMISSIONS
	DGO = ALL AUTOMATIC TRANSMISSIONS

AR = use ase required - = Non illustrated part

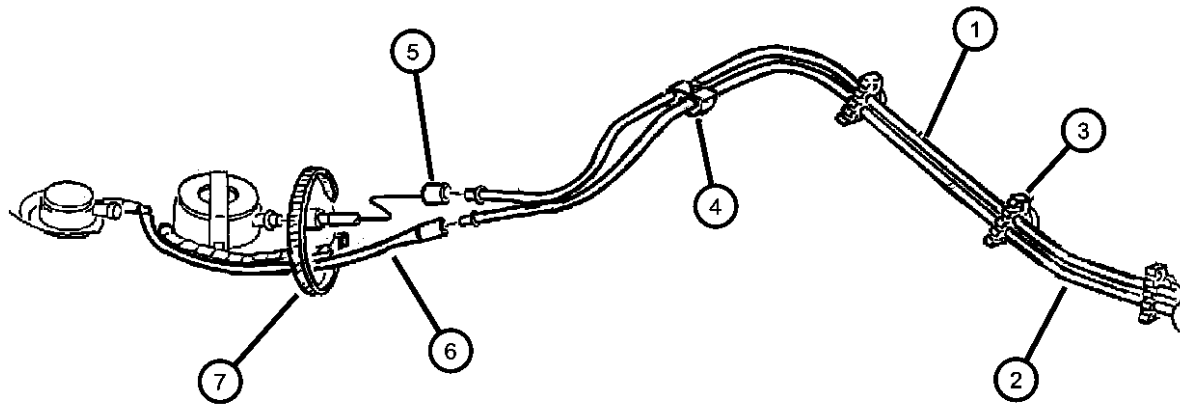
2000 XJ

Fuel Lines, Rear
Figure 14-320

ITEM	PART NUMBER	QTY	LINE	SERIES	BODY	ENGINE	TRANS	TRIM	DESCRIPTION
------	-------------	-----	------	--------	------	--------	-------	------	-------------

NOTE: EP0=All 2.5L Gas Engines, ER0=All 4.0L Engines

1	52127896	1							TUBE, Fuel Supply
2	52100162AE	1				EP0, ER0			TUBE, Fuel Vapor
3	52100286AC	7							CLIP, 5 Way
4	04612871AB	1							CLIP, Fuel Bundle
5	52100037AB	1				EP0, ER0			TUBE, Fuel Supply
6	52100035AB	1				EP0, ER0			TUBE, Fuel Vapor
7	04641780	1				EP0, ER0			STRAP, Tie



CHEROKEE (XJ)

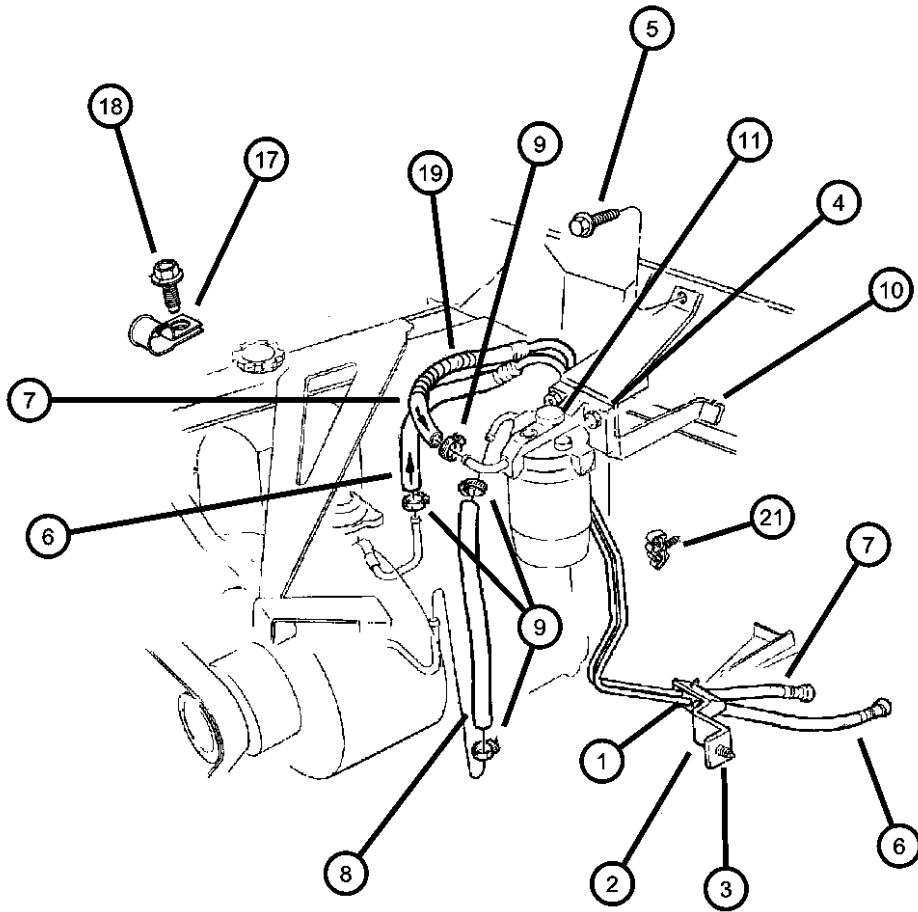
SERIES	LINE	BODY	ENGINE	TRANSMISSION
H = Sport	T = JEEP - 2WD	74 = 4 Dr (101.4WB)	ENC = ENGINE - 2.5L 4 CYL TURBO DIESEL	DDD = TRANSMISSION - 5-SPEED HD MANUAL
L = SE	B = JEEP - 2WD (RHD)	72 = 2 Dr (101.4WB)	EPE = ENGINE - 2.5L POWER TECH I-4 Cyl.	DDQ = TRANSMISSION - 5-SPEED MANUAL
P = Classic	J = JEEP - 4WD		ERH = ENGINE - 4.0L POWER TECH I-6	DGD = TRANSMISSION - 3-SPD. AUTOMATIC,30RH
S = Limited	U = JEEP - 4WD (RHD)			DGK = TRANSMISSION - 4-SPD. AUTOMATIC,42RE
				DGS = TRANSMISSION-4SPD. AUTO,AISIN WARNER
				DGT = TRANSMISSION - 4-SPD. AUTOMATIC,46RE
				DGW = TRANSMISSION - 4-SPD. AUTOMATIC,44RE
				DGX = TRANSMISSION - 4-SPEED AUTOMATIC
				DBB = ALL MANUAL TRANSMISSIONS
				DGO = ALL AUTOMATIC TRANSMISSIONS

AR = use ase required - = Non illustrated part

2000 XJ

Fuel Lines, Front
Figure 14-325

ITEM	PART NUMBER	QTY	LINE	SERIES	BODY	ENGINE	TRANS	TRIM	DESCRIPTION
NOTE: EN0=All 2.5L Diesel Engines									
1	52100286AC	7							CLIP, 5 Way
2	52100314AA	1							BRACKET, Fuel Line
3	34201381	4							SCREW, Hex Flange Head Tapping, M6x1.00x20.00
4	06101675	2				EN0			NUT, Hex Flange Lock, M8x1.25
5	06101675	2				EN0			SCREW AND WASHER, .190-16x.500, (NOT SERVICED)
6	52100079	1				EN0			TUBE, Fuel Return
7	52100107	1				EN0			TUBE, Fuel Supply
8	04443176	1							HOSE, Fuel, .31 I.D. 50 Foot Roll
9	06502081	2	J, T			EN0			CLAMP, Oil Cooler Line
10	53030927	1	J, T			EN0			BRACKET, Fuel Filter
11	53030927	1							FILTER, Fuel, Consists of: #12,13,14,15,16, (NOT SERVICED)
-12	04723899	1				EN0			HEAD, Fuel Filter
-13	04723901	1				EN0			VALVE KIT, Fuel Filter Check
-14	04723905	1				EN0			FILTER, Fuel
-15	04723906	1				EN0			BOWL, Fuel Filter
-16	04723907	1				EN0			DRAIN, Fuel Filter Bowl
17	34202997	1				EN0			CLIP, Wrap Around Sealing
18	06101777	1				EN0			SCREW, Hex Flange Head Tapping, M6x1.00x20.00
19	04592145	1				EN0			SLEEVE, Braided
-20	04546594	1				EN0			SLEEVE, Braided Expandable
21	52100077	1				EN0			CLIP, Tube, 2 Way



CHEROKEE (XJ)

SERIES	LINE	BODY	ENGINE	TRANSMISSION
H = Sport	T = JEEP - 2WD	74 = 4 Dr (101.4WB)	ENC = ENGINE - 2.5L 4 CYL TURBO DIESEL	DDD = TRANSMISSION - 5-SPEED HD MANUAL
L = SE	B = JEEP - 2WD (RHD)	72 = 2 Dr (101.4WB)	EPE = ENGINE - 2.5L POWER TECH I-4 Cyl.	DDQ = TRANSMISSION - 5-SPEED MANUAL
P = Classic	J = JEEP - 4WD		ERH = ENGINE - 4.0L POWER TECH I-6	DGD = TRANSMISSION - 3-SPD. AUTOMATIC,30RH
S = Limited	U = JEEP - 4WD (RHD)			DGK = TRANSMISSION - 4-SPD. AUTOMATIC,42RE
				DGS = TRANSMISSION-4SPD. AUTO,AISIN WARNER
				DGT = TRANSMISSION - 4-SPD. AUTOMATIC,46RE
				DGW = TRANSMISSION - 4-SPD. AUTOMATIC,44RE
				DGX = TRANSMISSION - 4-SPEED AUTOMATIC
				DBB = ALL MANUAL TRANSMISSIONS
				DGO = ALL AUTOMATIC TRANSMISSIONS

AR = use ase required - = Non illustrated part

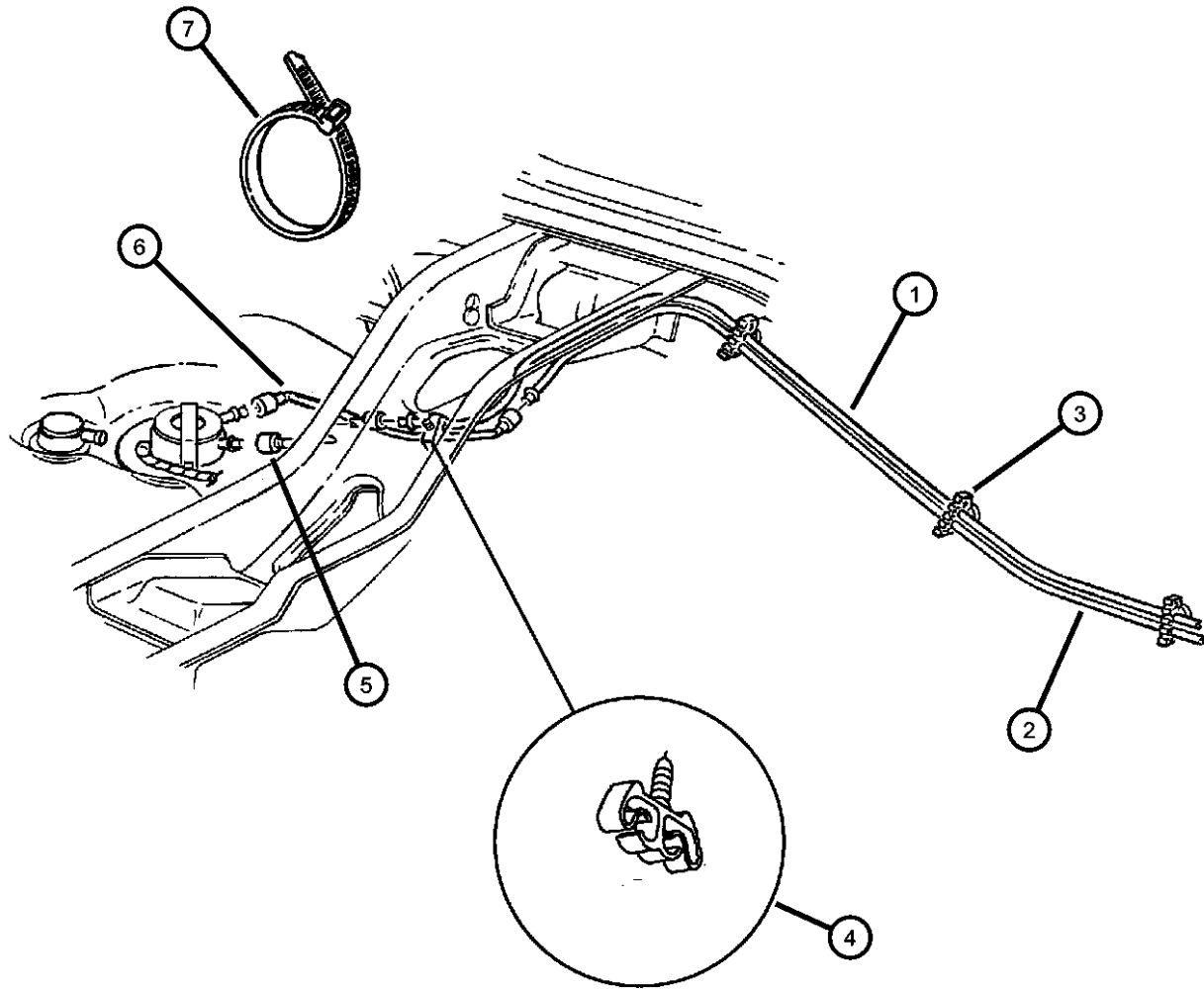
2000 XJ

Fuel Lines, Rear
Figure 14-335

ITEM	PART NUMBER	QTY	LINE	SERIES	BODY	ENGINE	TRANS	TRIM	DESCRIPTION
------	-------------	-----	------	--------	------	--------	-------	------	-------------

NOTE: ENO= All 2.5L Diesel Engines

1	52127896	1							TUBE, Fuel Supply
2	52127898	1				ENO			TUBE, Fuel Return
3	52100286AC	7							CLIP, 5 Way
4	04612871AB	1							CLIP, Fuel Bundle
5	52100037AB	1				ENO			TUBE, Fuel Supply
6	52100038	1				ENO			TUBE, Fuel Return
7	04641780	1							STRAP, Tie



CHEROKEE (XJ)

SERIES	LINE
H = Sport	T = JEEP - 2WD
L = SE	B = JEEP - 2WD (RHD)
P = Classic	J = JEEP - 4WD
S = Limited	U = JEEP - 4WD (RHD)

BODY
74 = 4 Dr (101.4WB)
72 = 2 Dr (101.4WB)

ENGINE	TRANSMISSION
ENC = ENGINE - 2.5L 4 CYL TURBO DIESEL	DDD = TRANSMISSION - 5-SPEED HD MANUAL
EPE = ENGINE - 2.5L POWER TECH I-4 Cyl.	DDQ = TRANSMISSION - 5-SPEED MANUAL
ERH = ENGINE - 4.0L POWER TECH I-6	DGD = TRANSMISSION - 3-SPD. AUTOMATIC,30RH
	DGK = TRANSMISSION - 4-SPD. AUTOMATIC,42RE
	DGS = TRANSMISSION-4SPD. AUTO,AISIN WARNER
	DGT = TRANSMISSION - 4-SPD. AUTOMATIC,46RE
	DGW = TRANSMISSION - 4-SPD. AUTOMATIC,44RE
	DGX = TRANSMISSION - 4-SPEED AUTOMATIC
	DBB = ALL MANUAL TRANSMISSIONS
	DGO = ALL AUTOMATIC TRANSMISSIONS

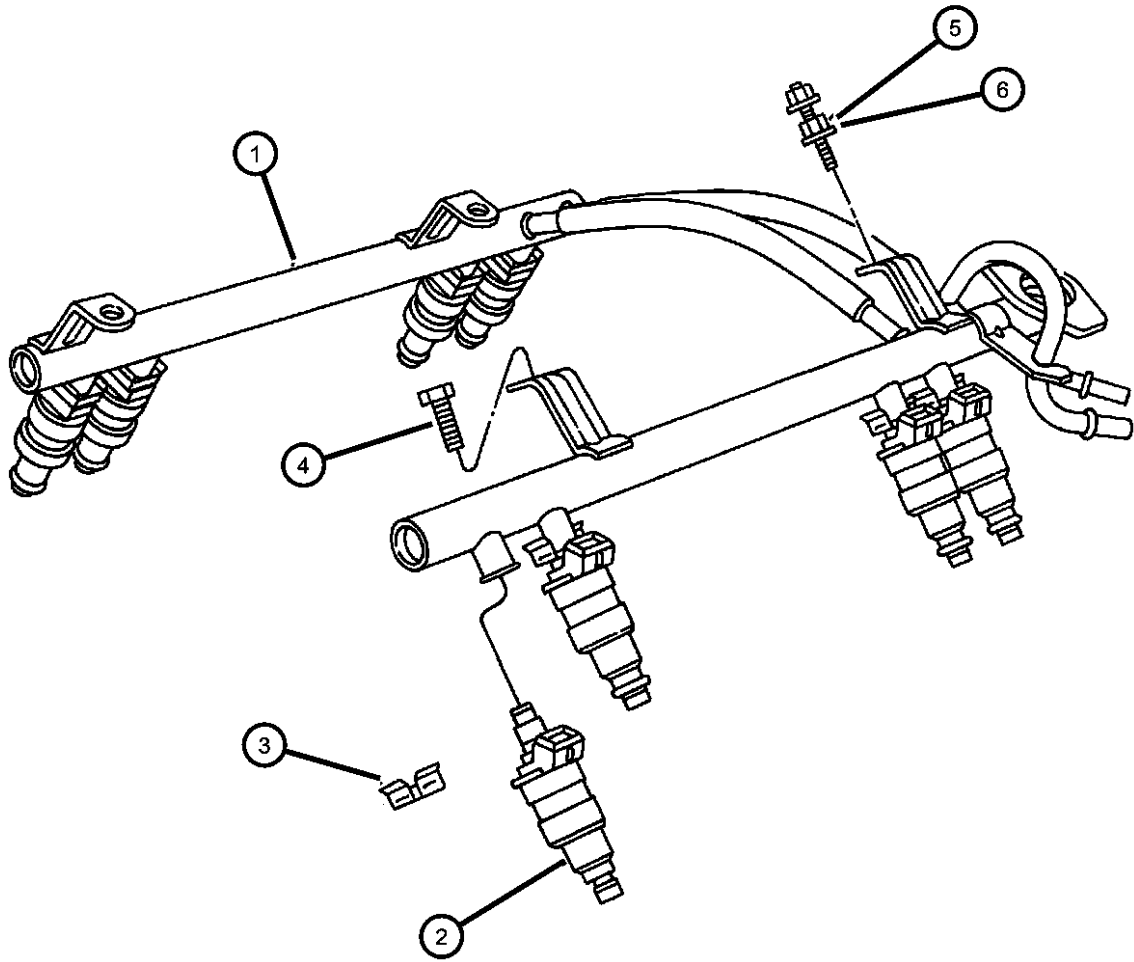
AR = use ase required - = Non illustrated part

2000 XJ

**Fuel Injection System
Figure 14-410**

ITEM	PART NUMBER	QTY	LINE	SERIES	BODY	ENGINE	TRANS	TRIM	DESCRIPTION
------	-------------	-----	------	--------	------	--------	-------	------	-------------

NOTE: EP0=All 2.5L Gas Engines, ER0=All 4.0L Engines



1									RAIL, Fuel
	05013157AA	1				EP0			
	05014496AA	1				ER0			
2									INJECTOR, Fuel
	04854181	6				ER0			
	53030778	4				EP0			
3									CLIP, Fuel Injector
	04418257	4				EP0			
		6				ER0			
4									SCREW AND WASHER, Hex Head, M6x1x17
	06501979	2				EP0			
		3				ER0			
5	06502086	2				EP0			STUD
6	06502647	2				ER0			STUD, M6x1.00x44
-7									CAP
	05018781AA	1				EP0			Diagnostic Port
		1				ER0			Diagnostic Port
-8									O RING KIT, Fuel Injector
	04897125AA	4				EP0			
		6				ER0			

CHEROKEE (XJ)

SERIES	LINE	BODY	ENGINE	TRANSMISSION
H = Sport	T = JEEP - 2WD	74 = 4 Dr (101.4WB)	ENC = ENGINE - 2.5L 4 CYL TURBO DIESEL	DDD = TRANSMISSION - 5-SPEED HD MANUAL
L = SE	B = JEEP - 2WD (RHD)	72 = 2 Dr (101.4WB)	EPE = ENGINE - 2.5L POWER TECH I-4 Cyl.	DDQ = TRANSMISSION - 5-SPEED MANUAL
P = Classic	J = JEEP - 4WD		ERH = ENGINE - 4.0L POWER TECH I-6	DGD = TRANSMISSION - 3-SPD. AUTOMATIC,30RH
S = Limited	U = JEEP - 4WD (RHD)			DGK = TRANSMISSION - 4-SPD. AUTOMATIC,42RE
				DGS = TRANSMISSION-4SPD. AUTO,AISIN WARNER
				DGT = TRANSMISSION - 4-SPD. AUTOMATIC,46RE
				DGW = TRANSMISSION - 4-SPD. AUTOMATIC,44RE
				DGX = TRANSMISSION - 4-SPEED AUTOMATIC
				DBB = ALL MANUAL TRANSMISSIONS
				DGO = ALL AUTOMATIC TRANSMISSIONS

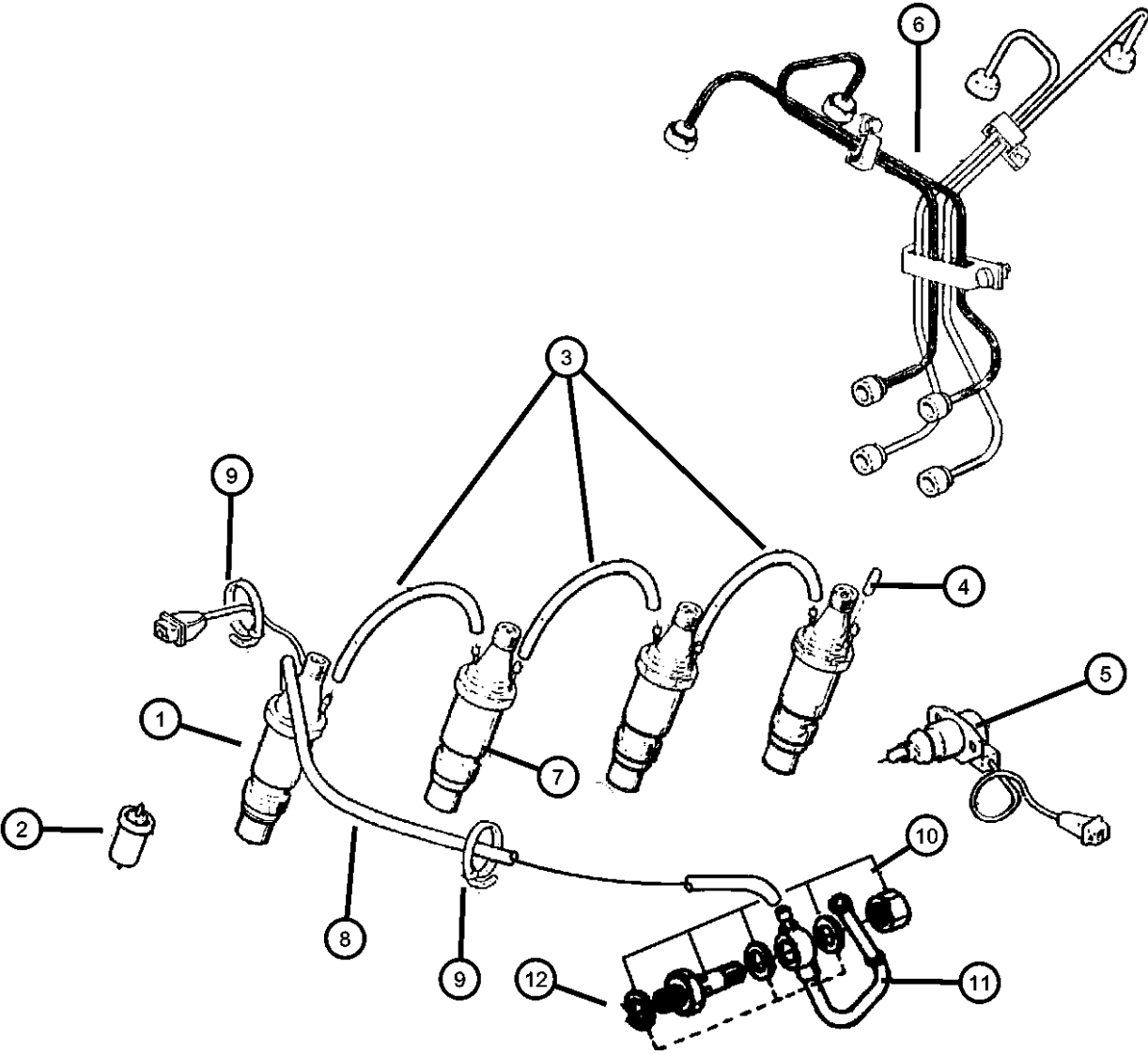
AR = use ase required - = Non illustrated part

**Fuel Injection System
Figure 14-440**

ITEM	PART NUMBER	QTY	LINE	SERIES	BODY	ENGINE	TRANS	TRIM	DESCRIPTION
------	-------------	-----	------	--------	------	--------	-------	------	-------------

NOTE: EN0=All 2.5L Diesel Engines

1	04886231AA	1				EN0			INJECTOR, Fuel
2	04723346	4				EN0			NOZZLE, Fuel Injector
3	04720189AB	3				EN0			PIPE, Fuel Spill Return
4	04720197AB	1				EN0			PLUG, Cylinder Block Oil Hole
5	04797786	1				EN0			ADVANCE, Automatic Injection
6	05003530AA	1				EN0			TUBE, Fuel Injector Supply
7	04720171	3				EN0			INJECTOR, Fuel
8	04720190AB	1				EN0			PIPE, Fuel Spill Return
9	04728184	3				EN0			CLIP, Spill Return Pipe
10	04874444	1				EN0			VALVE, Flow Control
11	04864579	1				EN0			BANJO, Fuel
12	04720703	2				EN0			WASHER, Plain

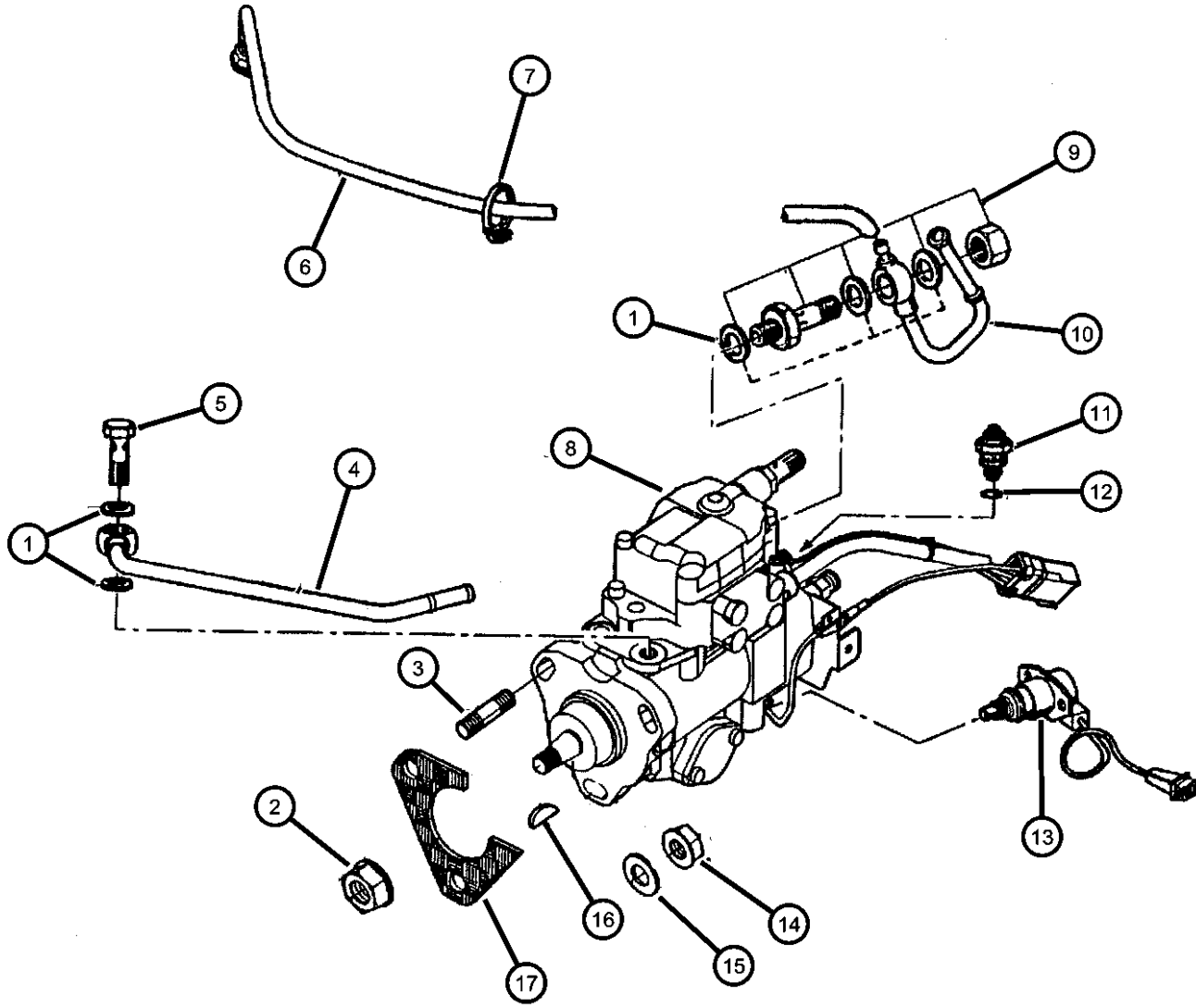


CHEROKEE (XJ)

SERIES	LINE	BODY	ENGINE	TRANSMISSION
H = Sport	T = JEEP - 2WD	74 = 4 Dr (101.4WB)	ENC = ENGINE - 2.5L 4 CYL TURBO DIESEL	DDD = TRANSMISSION - 5-SPEED HD MANUAL
L = SE	B = JEEP - 2WD (RHD)	72 = 2 Dr (101.4WB)	EPE = ENGINE - 2.5L POWER TECH I-4 Cyl.	DDQ = TRANSMISSION - 5-SPEED MANUAL
P = Classic	J = JEEP - 4WD		ERH = ENGINE - 4.0L POWER TECH I-6	DGD = TRANSMISSION - 3-SPD. AUTOMATIC,30RH
S = Limited	U = JEEP - 4WD (RHD)			DGK = TRANSMISSION - 4-SPD. AUTOMATIC,42RE
				DGS = TRANSMISSION-4SPD. AUTO,AISIN WARNER
				DGT = TRANSMISSION - 4-SPD. AUTOMATIC,46RE
				DGW = TRANSMISSION - 4-SPD. AUTOMATIC,44RE
				DGX = TRANSMISSION - 4-SPEED AUTOMATIC
				DBB = ALL MANUAL TRANSMISSIONS
				DGO = ALL AUTOMATIC TRANSMISSIONS

AR = use ase required - = Non illustrated part

Fuel Injection Pump
Figure 14-460



ITEM	PART NUMBER	QTY	LINE	SERIES	BODY	ENGINE	TRANS	TRIM	DESCRIPTION
------	-------------	-----	------	--------	------	--------	-------	------	-------------

NOTE: EN0=All 2.5L Diesel Engines

1	04720703	2				EN0			WASHER, Plain
2	04883402AA	1				EN0			NUT
3	04723241	8				EN0			STUD
4	04886307AA	1				EN0			BANJO, Fuel
5	04720367	1				EN0			BOLT, Banjo
6	04720190AB	1				EN0			PIPE, Fuel Spill Return
7	04728184	3				EN0			CLIP, Spill Return Pipe
8	04883459AA	1				EN0			PUMP, Fuel Injection
9	04874444	1				EN0			VALVE, Flow Control
10	04864579	1				EN0			BANJO, Fuel
11	04723264	1				EN0			SOLENOID, Fuel Shut Off Valve
12	04723266	1				EN0			O RING, Fuel Solenoid
13	04797786	1				EN0			ADVANCE, Automatic Injection
14	04778961	3				EN0			NUT
15									WASHER, Flat
	04720193	6				EN0			Up To 9-9-99
	05016574AA	3				EN0			After 9-9-99
16	04720198	1				EN0			KEY, Fuel Injection Pump
17	04720196	1				EN0			GASKET, Injection Pump

CHEROKEE (XJ)

SERIES	LINE
H = Sport	T = JEEP - 2WD
L = SE	B = JEEP - 2WD (RHD)
P = Classic	J = JEEP - 4WD
S = Limited	U = JEEP - 4WD (RHD)

BODY
74 = 4 Dr (101.4WB)
72 = 2 Dr (101.4WB)

ENGINE	TRANSMISSION
ENC = ENGINE - 2.5L 4 CYL TURBO DIESEL	DDD = TRANSMISSION - 5-SPEED HD MANUAL
EPE = ENGINE - 2.5L POWER TECH I-4 Cyl.	DDQ = TRANSMISSION - 5-SPEED MANUAL
ERH = ENGINE - 4.0L POWER TECH I-6	DGD = TRANSMISSION - 3-SPD. AUTOMATIC,30RH
	DGK = TRANSMISSION - 4-SPD. AUTOMATIC,42RE
	DGS = TRANSMISSION-4SPD. AUTO,AISIN WARNER
	DGT = TRANSMISSION - 4-SPD. AUTOMATIC,46RE
	DGW = TRANSMISSION - 4-SPD. AUTOMATIC,44RE
	DGX = TRANSMISSION - 4-SPEED AUTOMATIC
	DBB = ALL MANUAL TRANSMISSIONS
	DGO = ALL AUTOMATIC TRANSMISSIONS

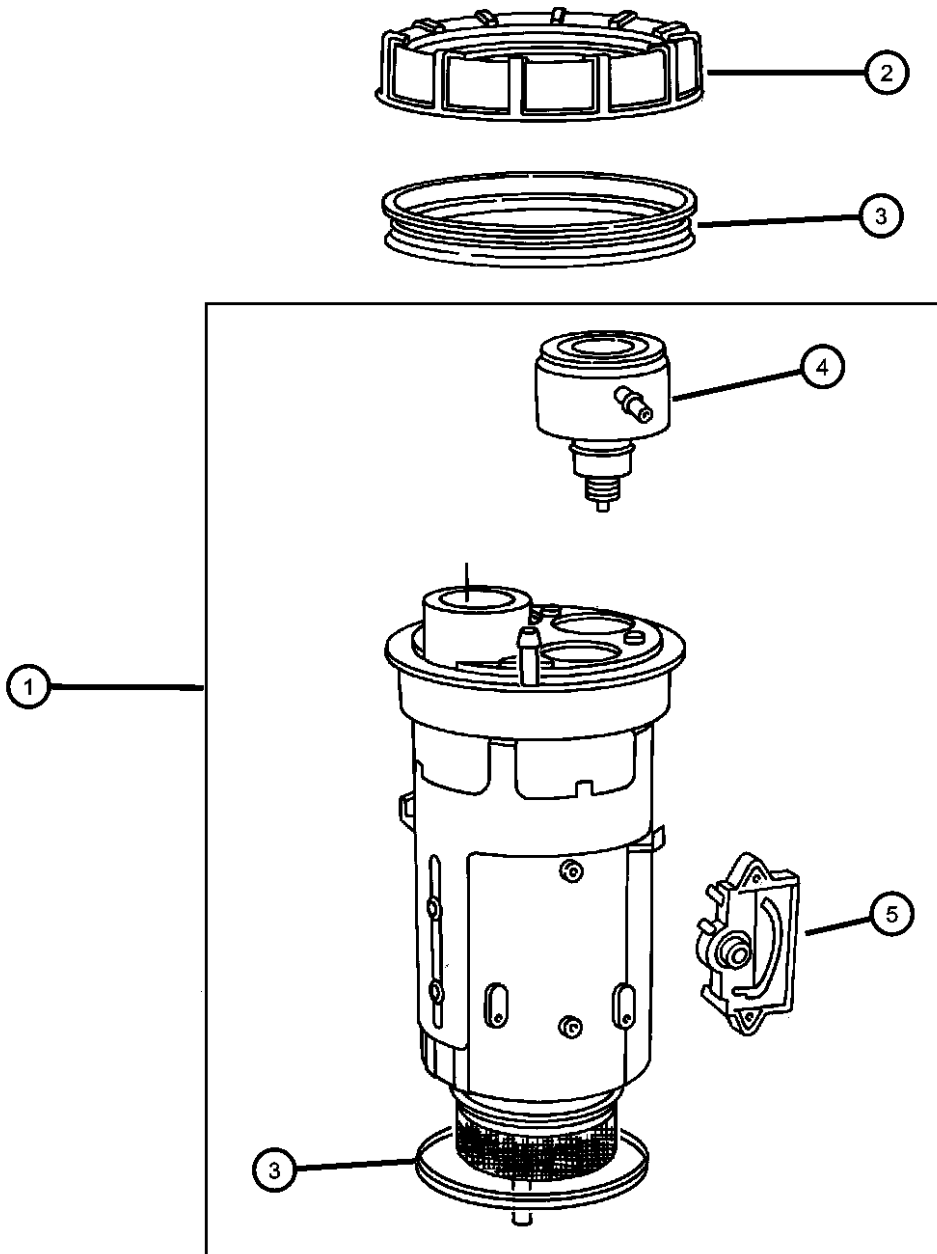
AR = use ase required - = Non illustrated part

2000 XJ

**Fuel Pump and Sending Unit
Figure 14-520**

ITEM	PART NUMBER	QTY	LINE	SERIES	BODY	ENGINE	TRANS	TRIM	DESCRIPTION
------	-------------	-----	------	--------	------	--------	-------	------	-------------

Note: ENO= All 2.5L Diesel Engines, EPO= All 2.5L Gas Engines
ERO= All 4.0L Gas Engines



1	05012953AB	1				EP0, ERO			MODULE PACKAGE, Fuel Tank
	05012958AB	1				ENO			
2	52005389	1				EP0, ERO			NUT, Fuel Pump Module
		1				ENO			
3	52018808	1				EP0, ERO			SEAL, Fuel Pump and Level Unit
		1				ENO			
4	04723905	1				ENO			FILTER, Fuel
	04798301	1				EP0, ERO			
5	05013473AA	1				EP0, ERO			BOARD PACKAGE, Fuel Level Circuit
		1				ENO			

CHEROKEE (XJ)

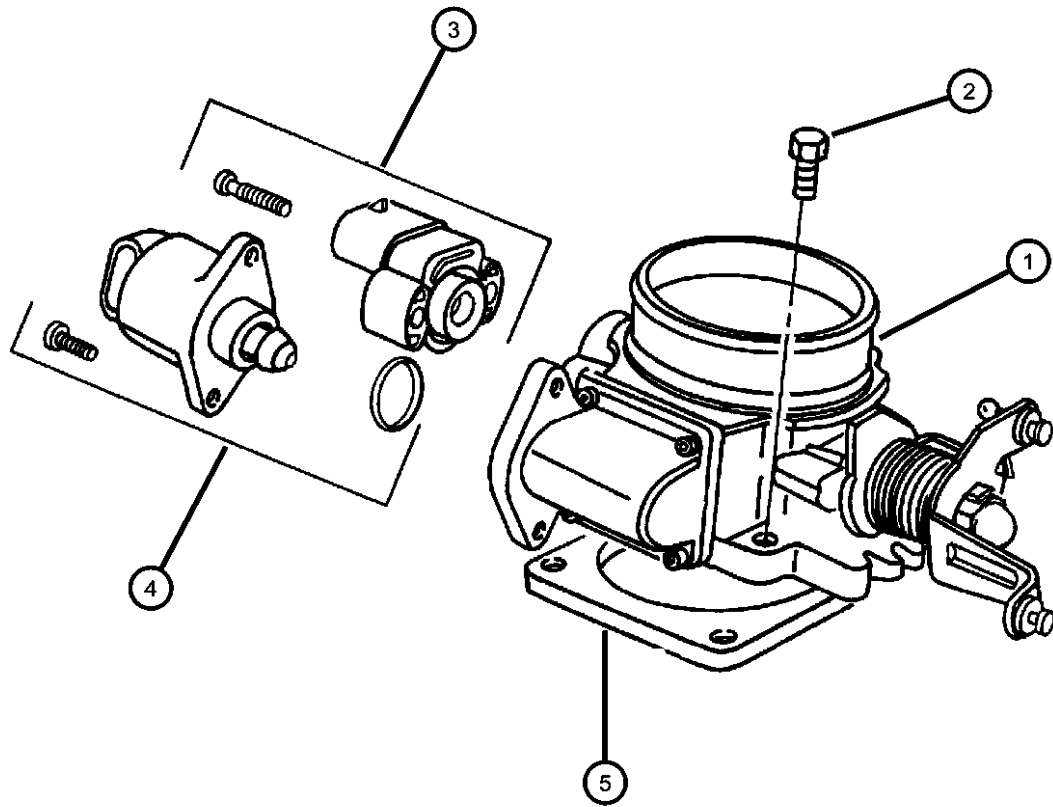
SERIES	LINE	BODY	ENGINE	TRANSMISSION
H = Sport	T = JEEP - 2WD	74 = 4 Dr (101.4WB)	ENC = ENGINE - 2.5L 4 CYL TURBO DIESEL	DDD = TRANSMISSION - 5-SPEED HD MANUAL
L = SE	B = JEEP - 2WD (RHD)	72 = 2 Dr (101.4WB)	EPE = ENGINE - 2.5L POWER TECH I-4 Cyl.	DDQ = TRANSMISSION - 5-SPEED MANUAL
P = Classic	J = JEEP - 4WD		ERH = ENGINE - 4.0L POWER TECH I-6	DGD = TRANSMISSION - 3-SPD. AUTOMATIC,30RH
S = Limited	U = JEEP - 4WD (RHD)			DGK = TRANSMISSION - 4-SPD. AUTOMATIC,42RE
				DGS = TRANSMISSION-4SPD. AUTO,AISIN WARNER
				DGT = TRANSMISSION - 4-SPD. AUTOMATIC,46RE
				DGW = TRANSMISSION - 4-SPD. AUTOMATIC,44RE
				DGX = TRANSMISSION - 4-SPEED AUTOMATIC
				DBB = ALL MANUAL TRANSMISSIONS
				DGO = ALL AUTOMATIC TRANSMISSIONS

AR = use ase required - = Non illustrated part

2000 XJ

**Throttle Body
Figure 14-610**

ITEM	PART NUMBER	QTY	LINE	SERIES	BODY	ENGINE	TRANS	TRIM	DESCRIPTION
NOTE: EP0=All 2.5L Gas Engines, ER0=All 4.0L Engines									
1									THROTTLE BODY
	53032016AD	1				EP0			
	53032023AC	1				ER0			
2	06503929	4				EP0, ER0			SCREW AND WASHER, Coned Pilot, M6x1x30
3									SENSOR, Throttle Position
	04874371AC	1				ER0			
		1				EP0			
4									MOTOR, Air Idle Speed
	04874373AB	1				ER0			
		1				EP0			
5	53007543	1				EP0, ER0			GASKET, Throttle Body
-6	53009672	1				EP0, ER0			CONNECTOR, Emission Hose



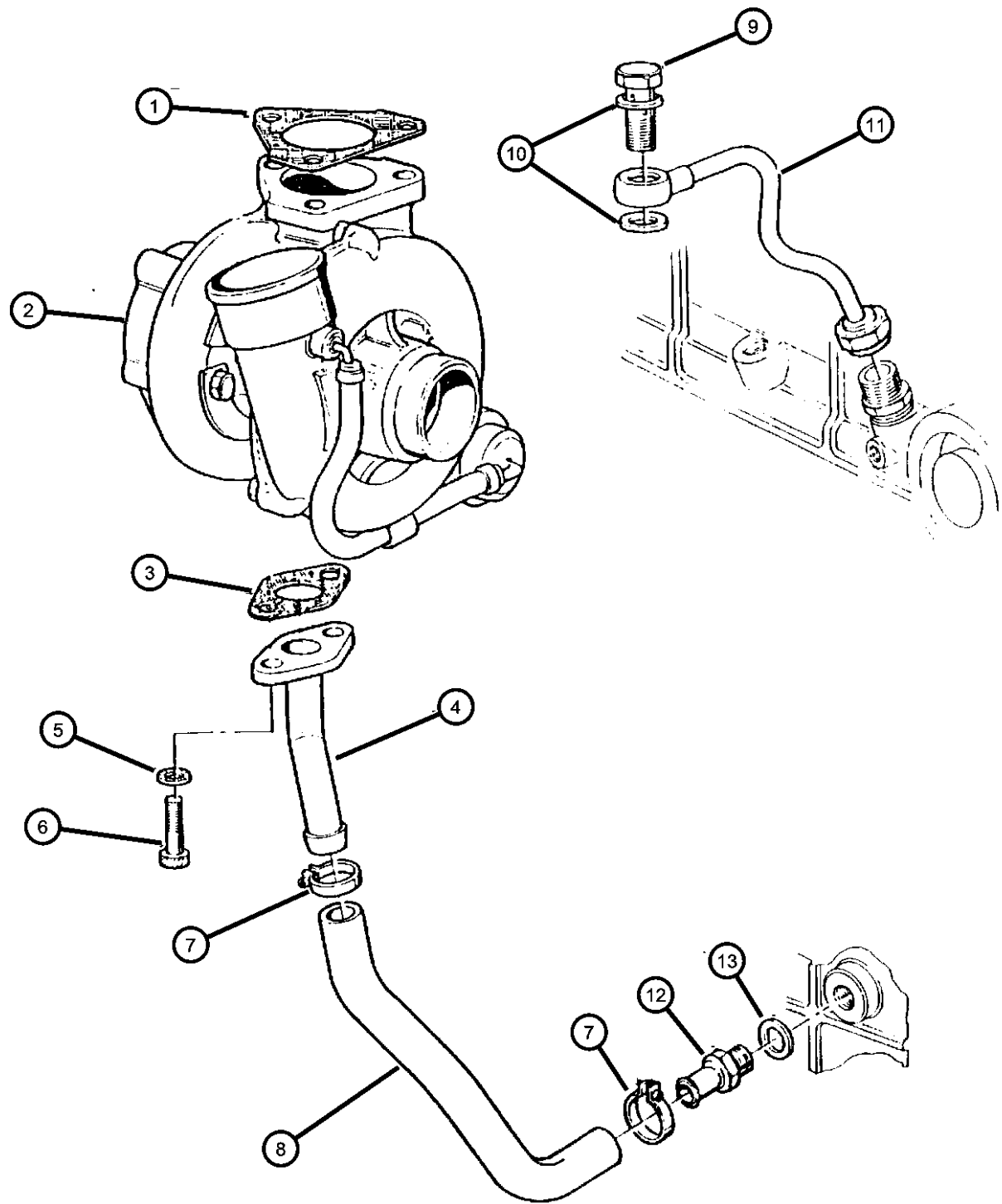
CHEROKEE (XJ)

SERIES	LINE	BODY	ENGINE	TRANSMISSION
H = Sport	T = JEEP - 2WD	74 = 4 Dr (101.4WB)	ENC = ENGINE - 2.5L 4 CYL TURBO DIESEL	DDD = TRANSMISSION - 5-SPEED HD MANUAL
L = SE	B = JEEP - 2WD (RHD)	72 = 2 Dr (101.4WB)	EPE = ENGINE - 2.5L POWER TECH I-4 Cyl.	DDQ = TRANSMISSION - 5-SPEED MANUAL
P = Classic	J = JEEP - 4WD		ERH = ENGINE - 4.0L POWER TECH I-6	DGD = TRANSMISSION - 3-SPD. AUTOMATIC,30RH
S = Limited	U = JEEP - 4WD (RHD)			DGK = TRANSMISSION - 4-SPD. AUTOMATIC,42RE
				DGS = TRANSMISSION-4SPD. AUTO,AISIN WARNER
				DGT = TRANSMISSION - 4-SPD. AUTOMATIC,46RE
				DGW = TRANSMISSION - 4-SPD. AUTOMATIC,44RE
				DGX = TRANSMISSION - 4-SPEED AUTOMATIC
				DBB = ALL MANUAL TRANSMISSIONS
				DGO = ALL AUTOMATIC TRANSMISSIONS

AR = use ase required - = Non illustrated part

2000 XJ

**Turbocharger
Figure 14-660**



ITEM	PART NUMBER	QTY	LINE	SERIES	BODY	ENGINE	TRANS	TRIM	DESCRIPTION
------	-------------	-----	------	--------	------	--------	-------	------	-------------

NOTE: EN0=All 2.5L Diesel Engines

1	04720203AB	1				EN0			GASKET, Turbocharger To Manifold
2	04864756	1				EN0			TURBOCHARGER
3	04796007AB	1				EN0			GASKET, Turbo Oil Return Pipe
4	04796008	1				EN0			PIPE, Oil Return
5	04720305	2				EN0			WASHER, Plain
6	04728186	2				EN0			BOLT, Oil Drain Pipe
7	04886052AA	2				EN0			CLAMP, Heater Hose
8	04796009	1				EN0			PIPE, Oil Return
9	04720367	1				EN0			BOLT, Banjo
10	04720703	2				EN0			WASHER, Plain
11	04796400	1				EN0			PIPE, Oil Feed
12	04796010	1				EN0			ADAPTER, Oil Delivery Tube
13	04797784	1				EN0			WASHER, Plain, 16.2x19.9x1.5

CHEROKEE (XJ)

SERIES	LINE
H = Sport	T = JEEP - 2WD
L = SE	B = JEEP - 2WD (RHD)
P = Classic	J = JEEP - 4WD
S = Limited	U = JEEP - 4WD (RHD)

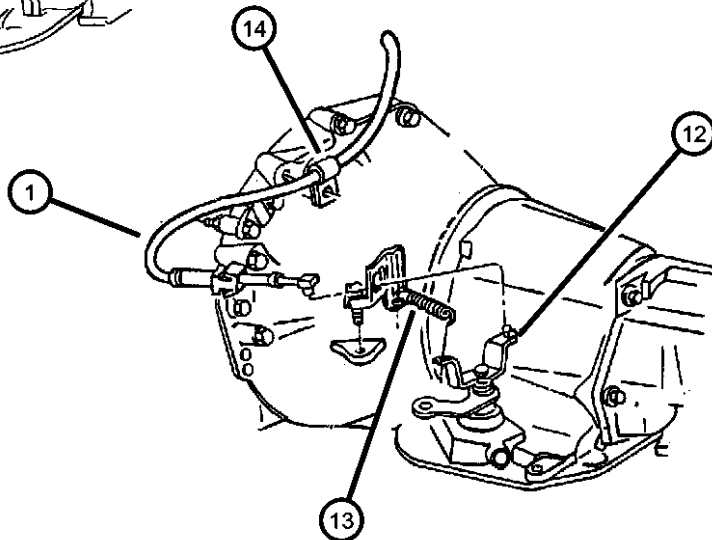
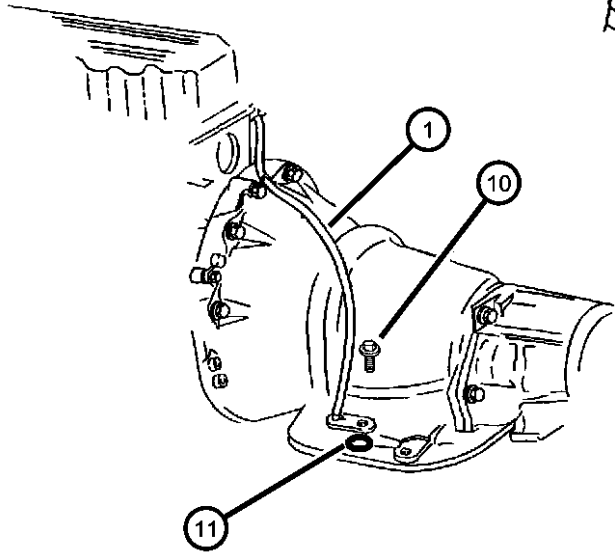
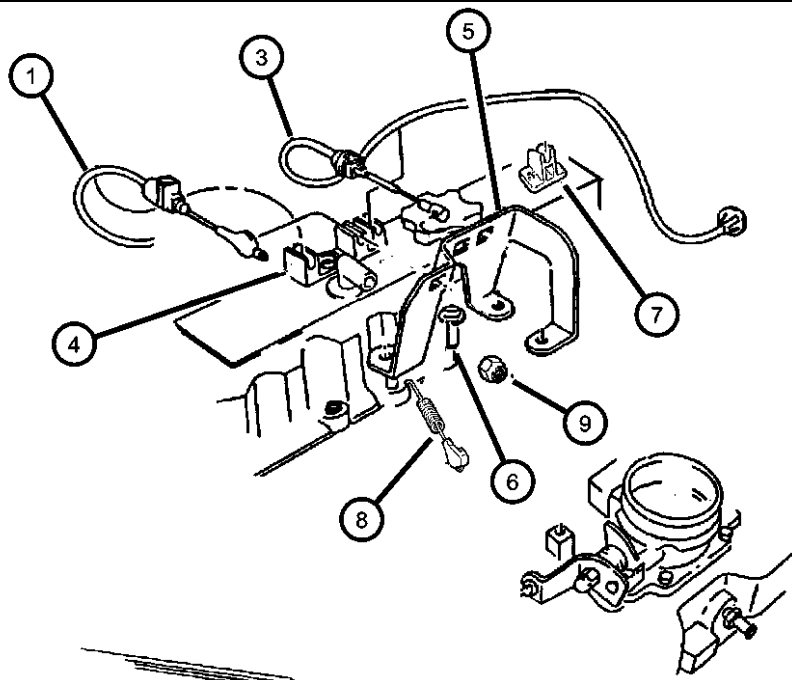
BODY
74 = 4 Dr (101.4WB)
72 = 2 Dr (101.4WB)

ENGINE	TRANSMISSION
ENC = ENGINE - 2.5L 4 CYL TURBO DIESEL	DDD = TRANSMISSION - 5-SPEED HD MANUAL
EPE = ENGINE - 2.5L POWER TECH I-4 Cyl.	DDQ = TRANSMISSION - 5-SPEED MANUAL
ERH = ENGINE - 4.0L POWER TECH I-6	DGD = TRANSMISSION - 3-SPD. AUTOMATIC,30RH
	DGK = TRANSMISSION - 4-SPD. AUTOMATIC,42RE
	DGS = TRANSMISSION-4SPD. AUTO,AISIN WARNER
	DGT = TRANSMISSION - 4-SPD. AUTOMATIC,46RE
	DGW = TRANSMISSION - 4-SPD. AUTOMATIC,44RE
	DGX = TRANSMISSION - 4-SPEED AUTOMATIC
	DBB = ALL MANUAL TRANSMISSIONS
	DGO = ALL AUTOMATIC TRANSMISSIONS

AR = use ase required - = Non illustrated part

2000 XJ

**Throttle Controls
Figure 14-720**



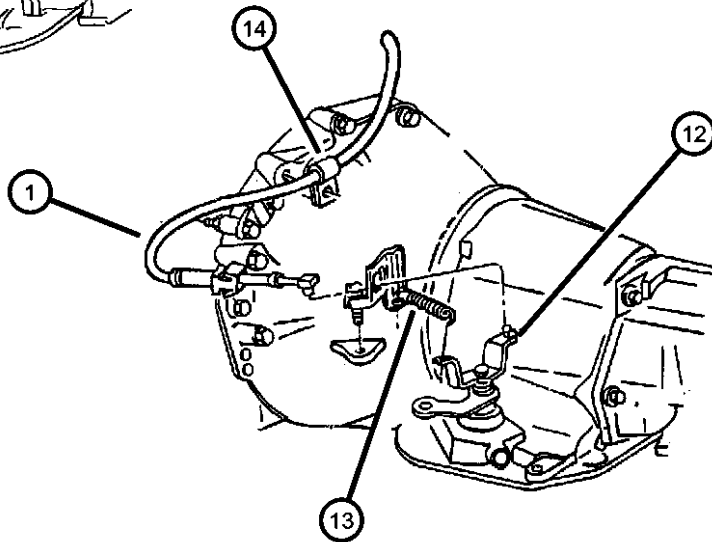
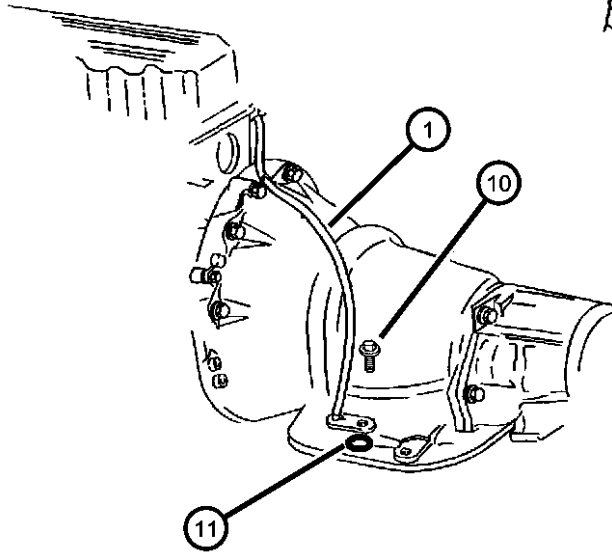
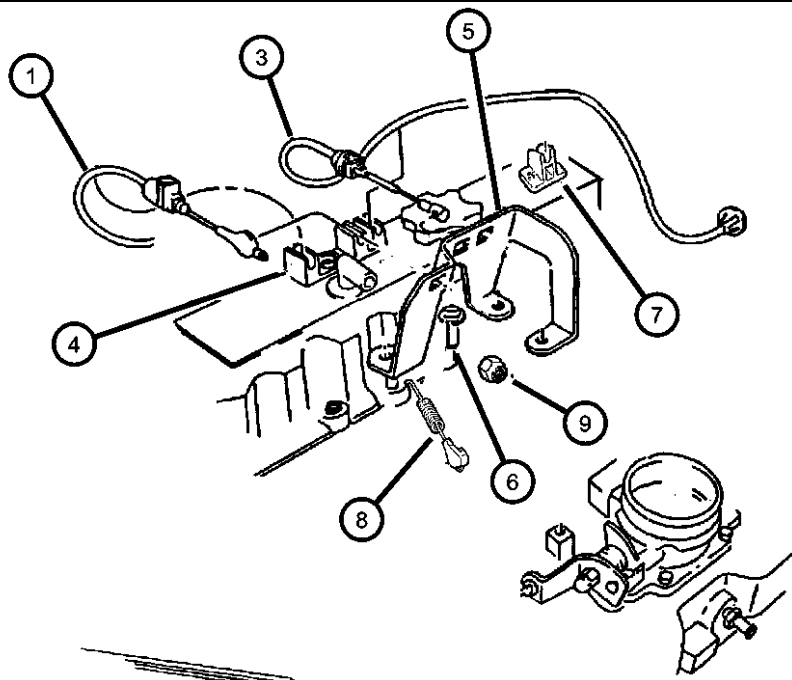
ITEM	PART NUMBER	QTY	LINE	SERIES	BODY	ENGINE	TRANS	TRIM	DESCRIPTION
NOTE: EP0=All 2.5L Gas Engine ER0=All 4.0L Engines, DBB= Manual Transmission, DGO= All Automatic Transmissions, DGD= 3 Speed Automatic Transmissions, DGS= 4 SpeedAutomatic Transmissions									
1	52078171AB	1	J, T			EP0	DGO		CABLE, Throttle Valve
-2									CABLE, Throttle Control
	52077578	1	J, U				DGS		
		1	B, T			ER0	DGS		
3									CABLE, Accelerator
	52079109	1	B, U			ER0			
	52079305	1	B, U			EP0			
	52079504	1	J, T			EP0, ER0			
4									GUIDE, Accelerator Cable
	52079029	1				ER0			
	53007620	1				EP0			
5									BRACKET, Accelerator Cable
	53007485	1				EP0			
	53013160AA	1				ER0			
6									SCREW AND WASHER, Hex Head, M6x1x17
	06501979	2				EP0			
		3				ER0			
7	52078987	1	J, T			ER0			GUIDE, Accelerator Cable
8									SPRING, Throttle Return
	52078102AB	1				EP0, ER0	DBB		
	53007985	1	J, T			EP0	DGO		
9	06100047	1				EP0			NUT AND WASHER, Hex Nut-Coned Washer, M6 x 1.00

CHEROKEE (XJ)

SERIES	LINE	BODY	ENGINE	TRANSMISSION
H = Sport	T = JEEP - 2WD	74 = 4 Dr (101.4WB)	ENC = ENGINE - 2.5L 4 CYL TURBO DIESEL	DDD = TRANSMISSION - 5-SPEED HD MANUAL
L = SE	B = JEEP - 2WD (RHD)	72 = 2 Dr (101.4WB)	EPE = ENGINE - 2.5L POWER TECH I-4 Cyl.	DDQ = TRANSMISSION - 5-SPEED MANUAL
P = Classic	J = JEEP - 4WD		ERH = ENGINE - 4.0L POWER TECH I-6	DGD = TRANSMISSION - 3-SPD. AUTOMATIC,30RH
S = Limited	U = JEEP - 4WD (RHD)			DGK = TRANSMISSION - 4-SPD. AUTOMATIC,42RE
				DGS = TRANSMISSION-4SPD. AUTO,AISIN WARNER
				DGT = TRANSMISSION - 4-SPD. AUTOMATIC,46RE
				DGW = TRANSMISSION - 4-SPD. AUTOMATIC,44RE
				DGX = TRANSMISSION - 4-SPEED AUTOMATIC
				DBB = ALL MANUAL TRANSMISSIONS
				DGO = ALL AUTOMATIC TRANSMISSIONS

AR = use ase required - = Non illustrated part

Throttle Controls
Figure 14-720



ITEM	PART NUMBER	QTY	LINE	SERIES	BODY	ENGINE	TRANS	TRIM	DESCRIPTION
10	34201808	AR	J, U				DGS		SCREW AND CONED WASHER, Hex Head, M6x1.00x16.00
		AR	B, T			ER0	DGS		
11	83503708	1	J, U				DGS		O RING, Throttle Cable
		1	B, T			ER0	DGS		
12	53007983	1	J, T			EP0	DG0		LEVER, Throttle Valve
13	53007985	1	J, T			EP0	DG0		SPRING, Throttle Return
14	52078465	1				EP0	DGD		CLIP, Cable

CHEROKEE (XJ)

SERIES
H = Sport
L = SE
P = Classic
S = Limited

LINE
T = JEEP - 2WD
B = JEEP - 2WD (RHD)
J = JEEP - 4WD
U = JEEP - 4WD (RHD)

BODY
74 = 4 Dr (101.4WB)
72 = 2 Dr (101.4WB)

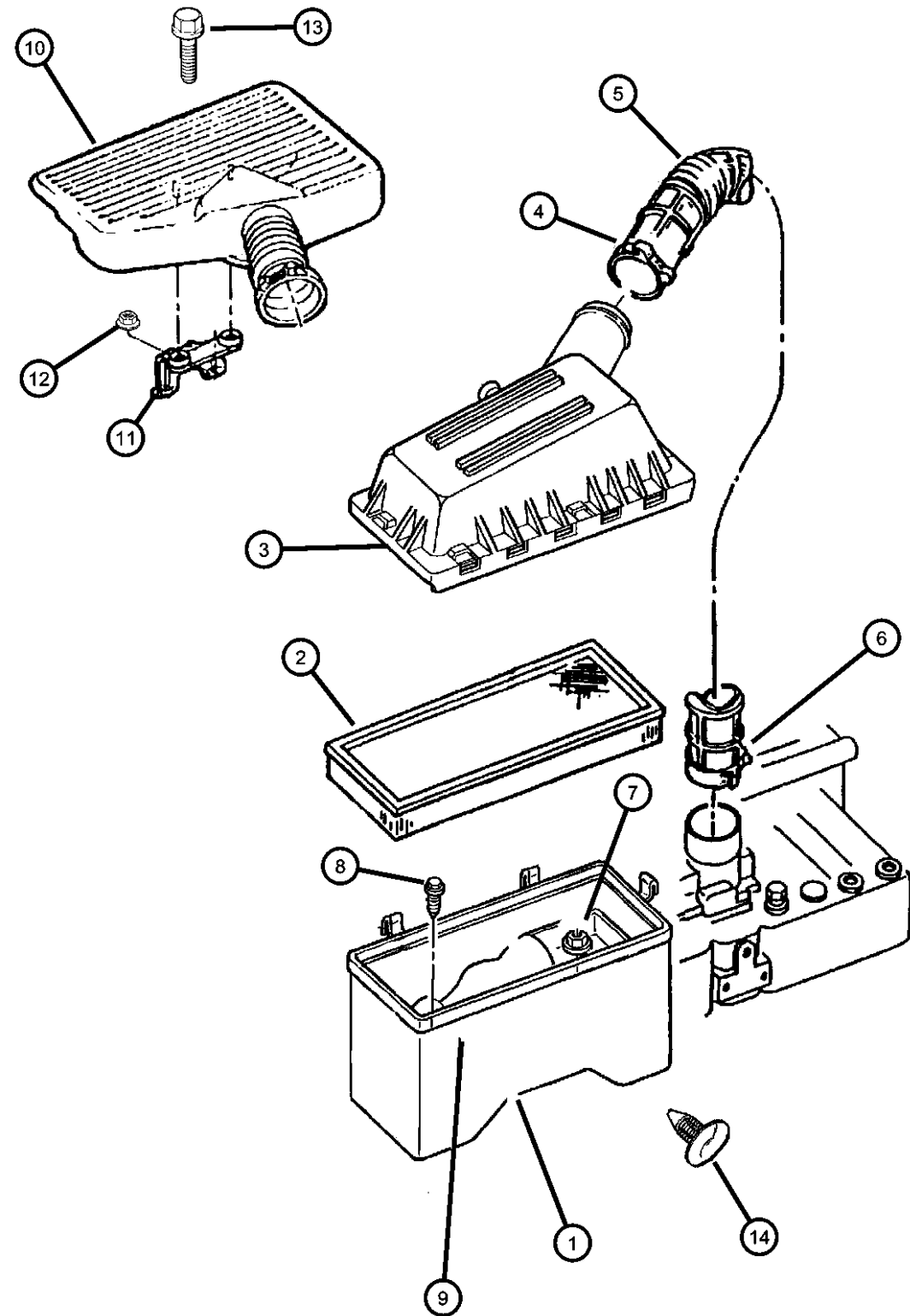
ENGINE
ENC = ENGINE - 2.5L 4 CYL TURBO DIESEL
EPE = ENGINE - 2.5L POWER TECH I-4 Cyl.
ERH = ENGINE - 4.0L POWER TECH I-6

TRANSMISSION
DDD = TRANSMISSION - 5-SPEED HD MANUAL
DDQ = TRANSMISSION - 5-SPEED MANUAL
DGD = TRANSMISSION - 3-SPD. AUTOMATIC,30RH
DGK = TRANSMISSION - 4-SPD. AUTOMATIC,42RE
DGS = TRANSMISSION-4SPD. AUTO,AISIN WARNER
DGT = TRANSMISSION - 4-SPD. AUTOMATIC,46RE
DGW = TRANSMISSION - 4-SPD. AUTOMATIC,44RE
DGX = TRANSMISSION - 4-SPEED AUTOMATIC
DBB = ALL MANUAL TRANSMISSIONS
DGO = ALL AUTOMATIC TRANSMISSIONS

AR = use ase required - = Non illustrated part

2000 XJ

Air Cleaner Gas
Figure 14-820



ITEM	PART NUMBER	QTY	LINE	SERIES	BODY	ENGINE	TRANS	TRIM	DESCRIPTION
------	-------------	-----	------	--------	------	--------	-------	------	-------------

NOTE: EP0=All 2.5L Gas Engines, ER0=All 4.0L Engines

1	04854153AC	1				EP0, ER0			BODY, Air Cleaner
2	53004383	1				EP0, ER0			FILTER, Air
	77060008								Performance Cold Air Intake System, AN, 1998-2002, 5.9L
	P4510466								Performance Air Filter, AN, 1999-2002, 4.7L
	P4510467								Performance Air Filter, AN, 1997-1999, 5.2L/5.9L
	P4510468								Performance Air Filter, AN, 2000-2002, 5.9L
	P4510469								Performance Air Filter, BR, 1994-2001, 5.2L/5.9L
	P4510474								Performance Air Filter, XJ, 1991-2001, 4.0L
3	53030707	1				EP0, ER0			COVER, Air Cleaner
4									CLAMP, Hose to Air Cleaner
	53006584	1				EP0			
		1				ER0			
5	53006275	1				ER0			HOSE, Air Cleaner to T/Body
6									CLAMP, Air Cleaner Duct
	53006273	1				EP0			
		1				ER0			
7	06501291	1				EP0, ER0			NUT AND WASHER, Hex Nut-Coned Washer, M8 x 1.25
8	06501291	1							SCREW, M8x1.25x30, (NOT SERVICED)
9	04854154	1				EP0			INSERT, Air Cleaner Noise
10									RESONATOR, Air Cleaner
	53030982	1				EP0			

CHEROKEE (XJ)

SERIES	LINE
H = Sport	T = JEEP - 2WD
L = SE	B = JEEP - 2WD (RHD)
P = Classic	J = JEEP - 4WD
S = Limited	U = JEEP - 4WD (RHD)

BODY
74 = 4 Dr (101.4WB)
72 = 2 Dr (101.4WB)

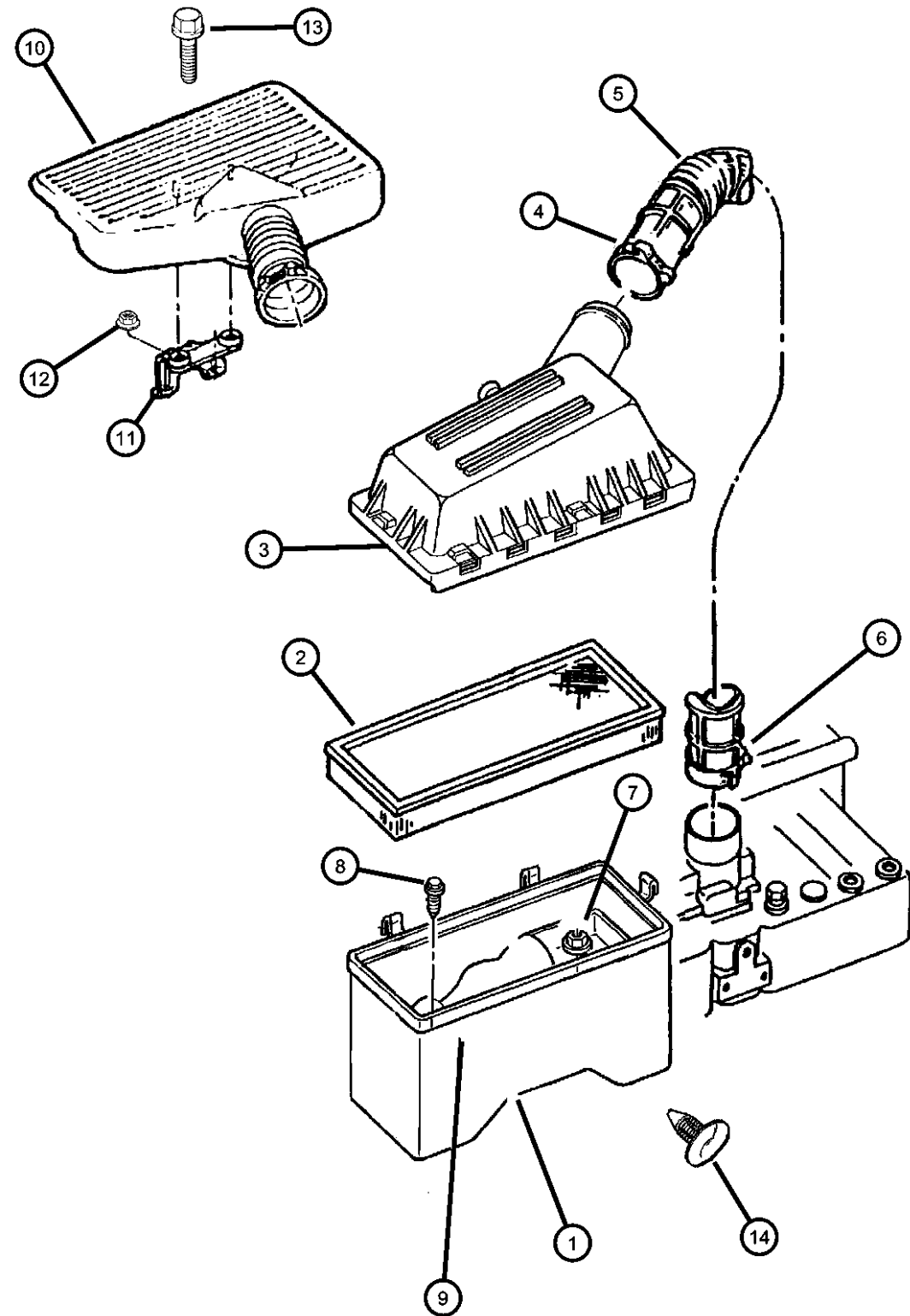
ENGINE
ENC = ENGINE - 2.5L 4 CYL TURBO DIESEL
EPE = ENGINE - 2.5L POWER TECH I-4 Cyl.
ERH = ENGINE - 4.0L POWER TECH I-6

TRANSMISSION
DDD = TRANSMISSION - 5-SPEED HD MANUAL
DDQ = TRANSMISSION - 5-SPEED MANUAL
DGD = TRANSMISSION - 3-SPD. AUTOMATIC,30RH
DGK = TRANSMISSION - 4-SPD. AUTOMATIC,42RE
DGS = TRANSMISSION-4SPD. AUTO,AISIN WARNER
DGT = TRANSMISSION - 4-SPD. AUTOMATIC,46RE
DGW = TRANSMISSION - 4-SPD. AUTOMATIC,44RE
DGX = TRANSMISSION - 4-SPEED AUTOMATIC
DBB = ALL MANUAL TRANSMISSIONS
DGO = ALL AUTOMATIC TRANSMISSIONS

AR = use ase required - = Non illustrated part

2000 XJ

**Air Cleaner Gas
Figure 14-820**



ITEM	PART NUMBER	QTY	LINE	SERIES	BODY	ENGINE	TRANS	TRIM	DESCRIPTION
	53030797	1				ER0			
11	53030796	1				ER0			BRACKET, Resonator
12									NUT AND WASHER, Hex Nut-Coned Washer, .25-20
	06033560	2				EP0			
		2				ER0			
13	06100288	2				EP0			BOLT AND CONED WASHER, Hex Head, M6x30x20
14	06030441	2							PIN, Retainer

CHEROKEE (XJ)

SERIES	LINE
H = Sport	T = JEEP - 2WD
L = SE	B = JEEP - 2WD (RHD)
P = Classic	J = JEEP - 4WD
S = Limited	U = JEEP - 4WD (RHD)

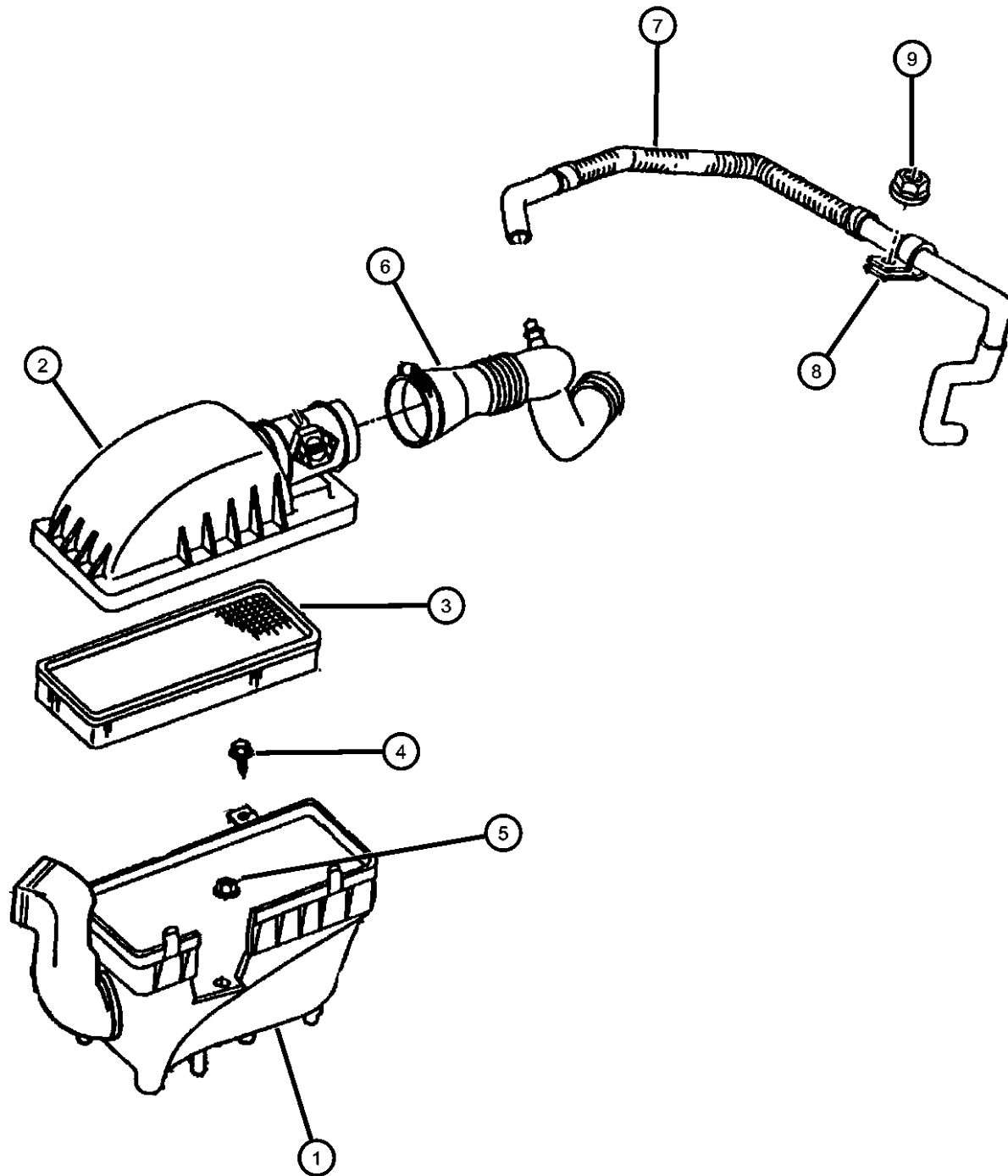
BODY
74 = 4 Dr (101.4WB)
72 = 2 Dr (101.4WB)

ENGINE
ENC = ENGINE - 2.5L 4 CYL TURBO DIESEL
EPE = ENGINE - 2.5L POWER TECH I-4 Cyl.
ERH = ENGINE - 4.0L POWER TECH I-6

TRANSMISSION
DDD = TRANSMISSION - 5-SPEED HD MANUAL
DDQ = TRANSMISSION - 5-SPEED MANUAL
DGD = TRANSMISSION - 3-SPD. AUTOMATIC,30RH
DGK = TRANSMISSION - 4-SPD. AUTOMATIC,42RE
DGS = TRANSMISSION-4SPD. AUTO,AISIN WARNER
DGT = TRANSMISSION - 4-SPD. AUTOMATIC,46RE
DGW = TRANSMISSION - 4-SPD. AUTOMATIC,44RE
DGX = TRANSMISSION - 4-SPEED AUTOMATIC
DBB = ALL MANUAL TRANSMISSIONS
DGO = ALL AUTOMATIC TRANSMISSIONS

AR = use ase required - = Non illustrated part

Air Cleaner Diesel
Figure 14-835



ITEM	PART NUMBER	QTY	LINE	SERIES	BODY	ENGINE	TRANS	TRIM	DESCRIPTION
NOTE: ENO= All 2.5L Diesel Engines									
1	53031036	1				ENO			BODY, Air Cleaner
2	53013242AA	1				ENO			COVER, Air Cleaner
3	53030730	1				ENO			ELEMENT, Air Cleaner
4	06035668	1				ENO			SCREW AND WASHER, Hex Head Tapping, .25-14x1
5	06501291	1				ENO			NUT AND WASHER, Hex Nut-Coned Washer, M8 x 1.25
6	53030696	1				ENO			HOSE, Air Induction
7	04854047	1				ENO			TUBE, Oil Separator Drain
8	J4007577	1				ENO			CLIP
9	34201358	1	J, T			ENO			NUT AND WASHER, Hex Nut-Sealing Washer, M6 x 1.00

CHEROKEE (XJ)

SERIES	LINE
H = Sport	T = JEEP - 2WD
L = SE	B = JEEP - 2WD (RHD)
P = Classic	J = JEEP - 4WD
S = Limited	U = JEEP - 4WD (RHD)

BODY
74 = 4 Dr (101.4WB)
72 = 2 Dr (101.4WB)

ENGINE
ENC = ENGINE - 2.5L 4 CYL TURBO DIESEL
EPE = ENGINE - 2.5L POWER TECH I-4 Cyl.
ERH = ENGINE - 4.0L POWER TECH I-6

TRANSMISSION
DDD = TRANSMISSION - 5-SPEED HD MANUAL
DDQ = TRANSMISSION - 5-SPEED MANUAL
DGD = TRANSMISSION - 3-SPD. AUTOMATIC,30RH
DGK = TRANSMISSION - 4-SPD. AUTOMATIC,42RE
DGS = TRANSMISSION-4SPD. AUTO,AISIN WARNER
DGT = TRANSMISSION - 4-SPD. AUTOMATIC,46RE
DGW = TRANSMISSION - 4-SPD. AUTOMATIC,44RE
DGX = TRANSMISSION - 4-SPEED AUTOMATIC
DBB = ALL MANUAL TRANSMISSIONS
DGO = ALL AUTOMATIC TRANSMISSIONS

AR = use ase required - = Non illustrated part

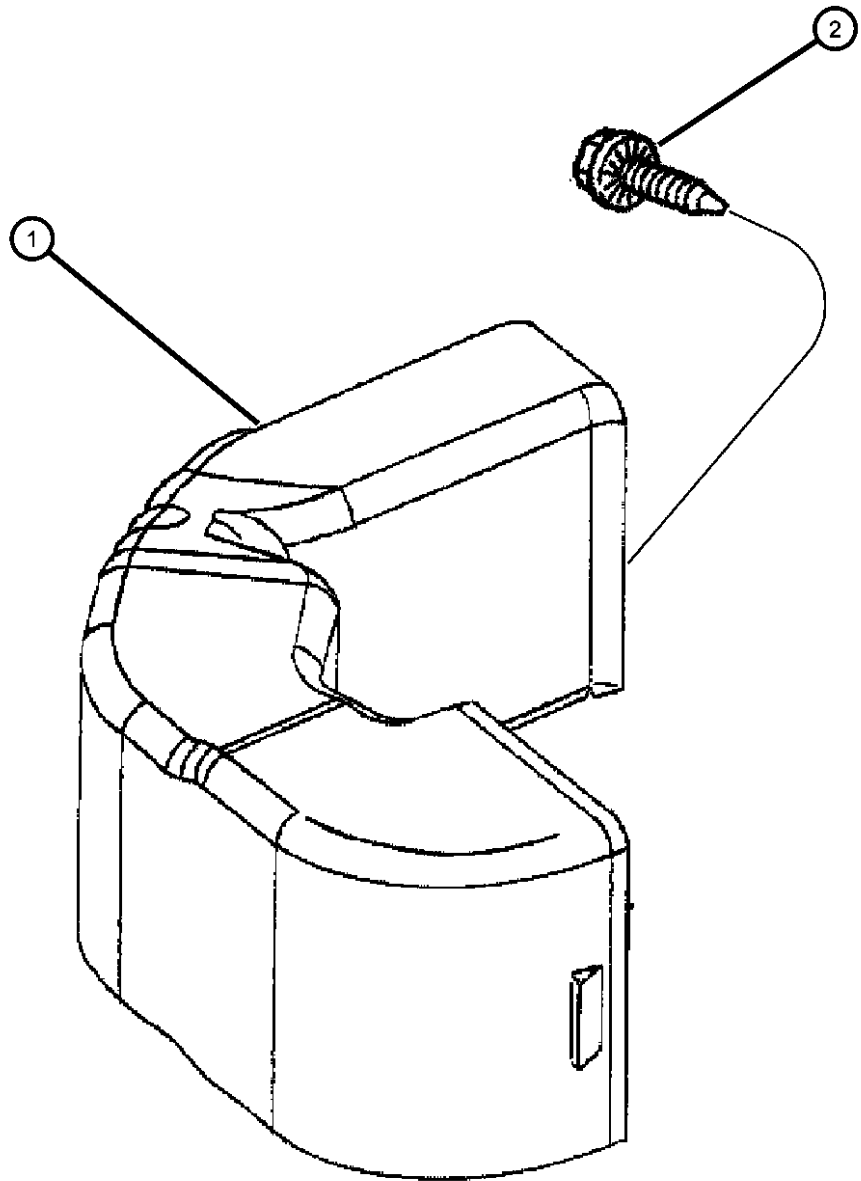
2000 XJ

**Air Intake System
Figure 14-910**

ITEM	PART NUMBER	QTY	LINE	SERIES	BODY	ENGINE	TRANS	TRIM	DESCRIPTION
------	-------------	-----	------	--------	------	--------	-------	------	-------------

NOTE: EPO= All 2.5L Gas Engines

1	53030983	1				EPO			ADAPTER, Ambient Air
2	06030441	1				EPO			PIN, Retainer



CHEROKEE (XJ)

SERIES	LINE
H = Sport	T = JEEP - 2WD
L = SE	B = JEEP - 2WD (RHD)
P = Classic	J = JEEP - 4WD
S = Limited	U = JEEP - 4WD (RHD)

BODY
74 = 4 Dr (101.4WB)
72 = 2 Dr (101.4WB)

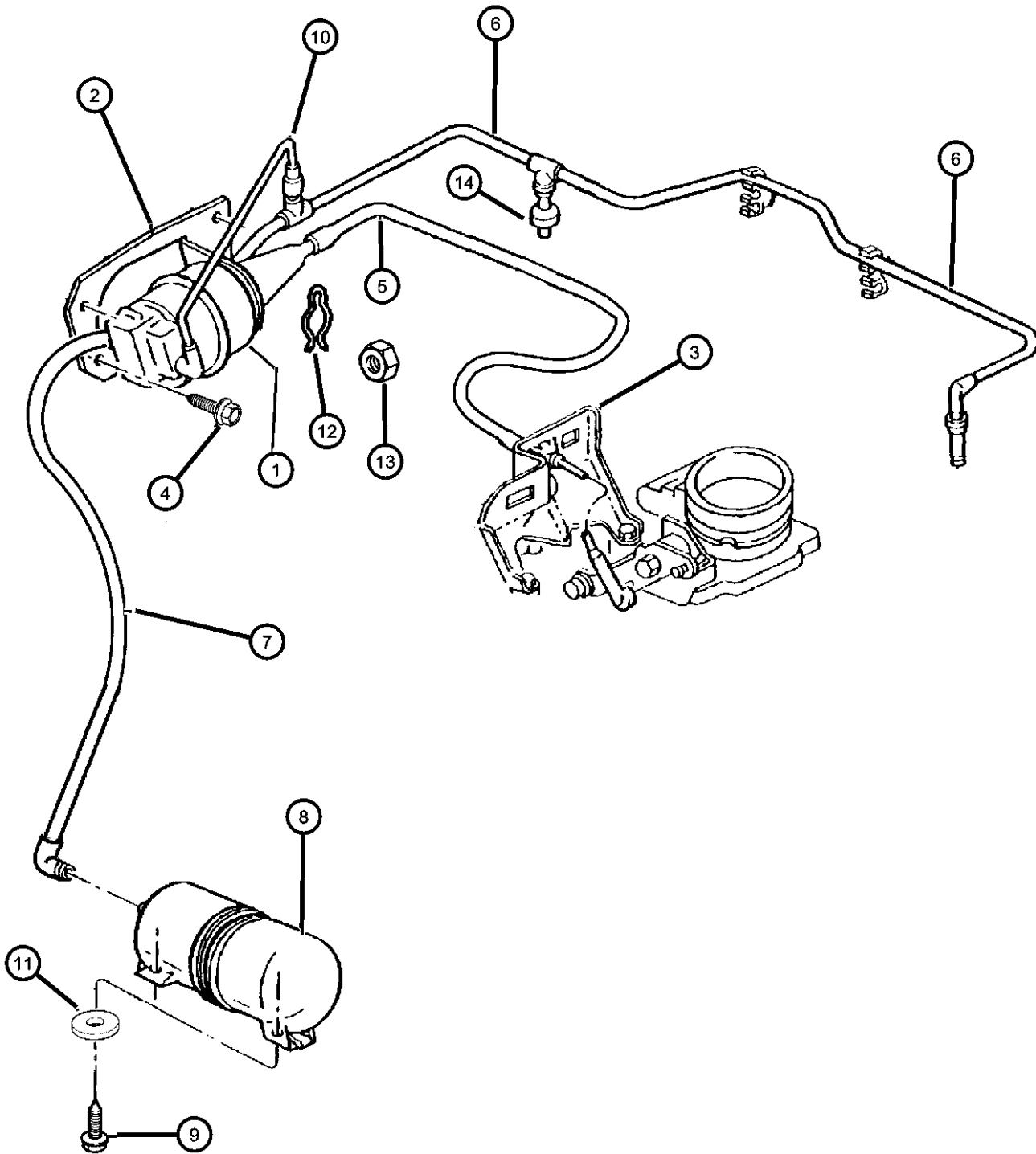
ENGINE
ENC = ENGINE - 2.5L 4 CYL TURBO DIESEL
EPE = ENGINE - 2.5L POWER TECH I-4 Cyl.
ERH = ENGINE - 4.0L POWER TECH I-6

TRANSMISSION
DDD = TRANSMISSION - 5-SPEED HD MANUAL
DDQ = TRANSMISSION - 5-SPEED MANUAL
DGD = TRANSMISSION - 3-SPD. AUTOMATIC,30RH
DGK = TRANSMISSION - 4-SPD. AUTOMATIC,42RE
DGS = TRANSMISSION-4SPD. AUTO,AISIN WARNER
DGT = TRANSMISSION - 4-SPD. AUTOMATIC,46RE
DGW = TRANSMISSION - 4-SPD. AUTOMATIC,44RE
DGX = TRANSMISSION - 4-SPEED AUTOMATIC
DBB = ALL MANUAL TRANSMISSIONS
DGO = ALL AUTOMATIC TRANSMISSIONS

AR = use ase required - = Non illustrated part

2000 XJ

**Speed Control
Figure 14-1010**



ITEM	PART NUMBER	QTY	LINE	SERIES	BODY	ENGINE	TRANS	TRIM	DESCRIPTION
------	-------------	-----	------	--------	------	--------	-------	------	-------------

NOTE: EP0=All 2.5L Gas Engines, EPE= 2.5L Gas Engine, ER0=All 4.0L Engines

1	04669979	1	J, T			EPE, ER0			SERVO, Speed Control
		1	B, U			EPE, ER0			
2	53007958	1	J, T			EPE, ER0			BRACKET, Speed Control Servo
3									BRACKET, Accelerator Cable
	53007485	1				EP0			
	53013160AA	1				ER0			
4									SCREW
	06035322	3	J, T			EPE, ER0			
		2							
5									CABLE, Speed Control
	04854001	1	J, T			EPE, ER0			
	53030839	1	B, U			EPE, ER0			
6									VACUUM HARNESS, Heater and A/C
	55036909AC	1	J, T			EP0			
	55037565AB	1	J, T			ER0			
7									HOSE AND VALVE, Vacuum
	55036917AD	1	U			EP0			
	55037566AA	1	B, U			ER0			
8	55035902	1				EP0, ER0			RESERVOIR, Speed Control Vacuum
9	34201895	2							SCREW, Hex Head Tapping, M6.3x1.81x16.00
10	52078082	1	J, T			EPE, ER0			HARNESS, Speed Control Vacuum
11	52078082	1							WASHER, (NOT SERVICED)

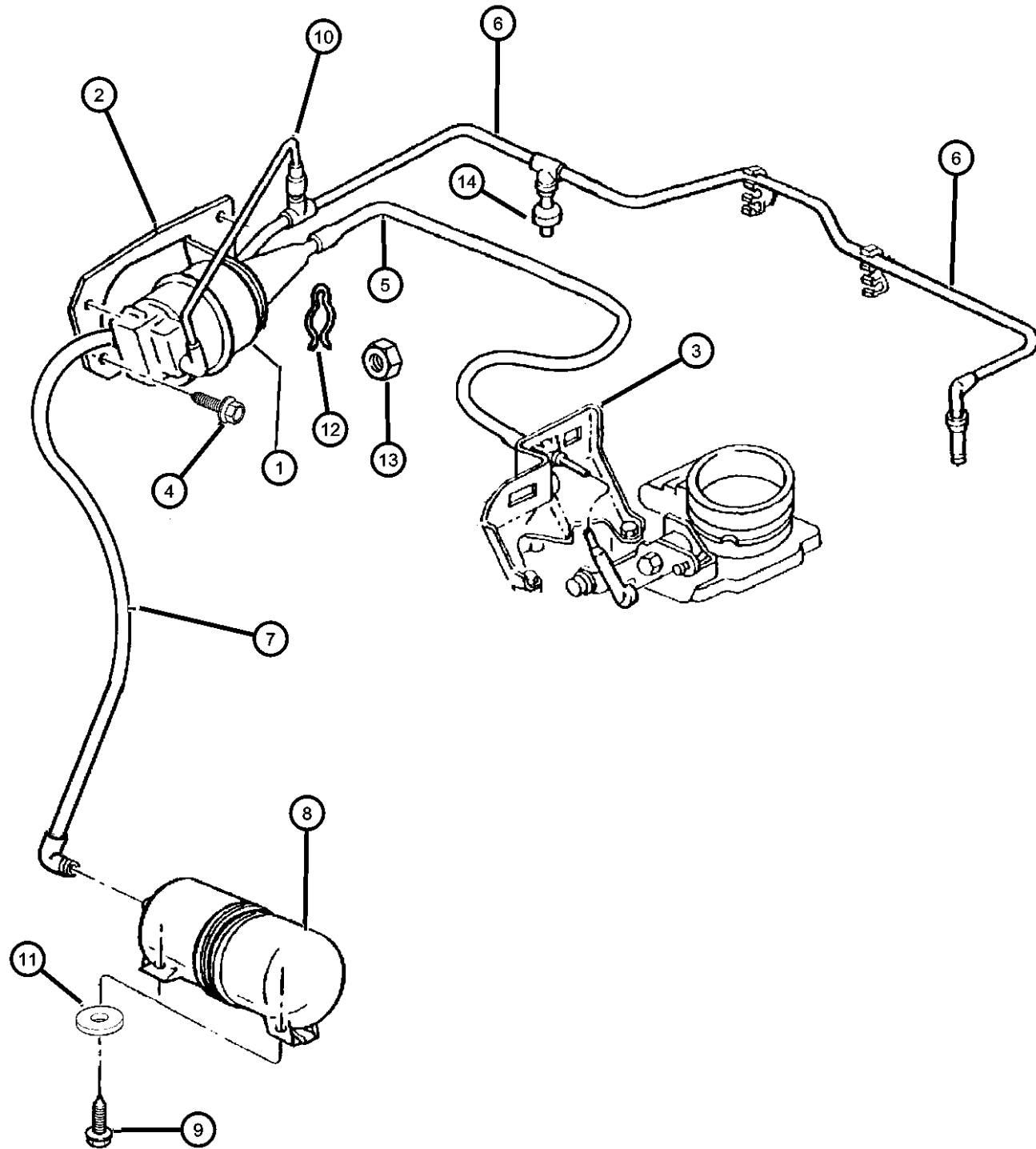
CHEROKEE (XJ)

SERIES	LINE	BODY	ENGINE	TRANSMISSION
H = Sport	T = JEEP - 2WD	74 = 4 Dr (101.4WB)	ENC = ENGINE - 2.5L 4 CYL TURBO DIESEL	DDD = TRANSMISSION - 5-SPEED HD MANUAL
L = SE	B = JEEP - 2WD (RHD)	72 = 2 Dr (101.4WB)	EPE = ENGINE - 2.5L POWER TECH I-4 Cyl.	DDQ = TRANSMISSION - 5-SPEED MANUAL
P = Classic	J = JEEP - 4WD		ERH = ENGINE - 4.0L POWER TECH I-6	DGD = TRANSMISSION - 3-SPD. AUTOMATIC,30RH
S = Limited	U = JEEP - 4WD (RHD)			DGK = TRANSMISSION - 4-SPD. AUTOMATIC,42RE
				DGS = TRANSMISSION-4SPD. AUTO,AISIN WARNER
				DGT = TRANSMISSION - 4-SPD. AUTOMATIC,46RE
				DGW = TRANSMISSION - 4-SPD. AUTOMATIC,44RE
				DGX = TRANSMISSION - 4-SPEED AUTOMATIC
				DBB = ALL MANUAL TRANSMISSIONS
				DGO = ALL AUTOMATIC TRANSMISSIONS

AR = use ase required - = Non illustrated part

2000 XJ

**Speed Control
Figure 14-1010**



ITEM	PART NUMBER	QTY	LINE	SERIES	BODY	ENGINE	TRANS	TRIM	DESCRIPTION
12						EPE, ER0			CLIP, Cable to Servo Attach
	06025867	1	J, T			EPE, ER0			
		1	B, U			EPE, ER0			
13						EPE, ER0			NUT, Hex Flange Serration, M6x1
	06502493	2	J, T			EPE, ER0			
		2	B, U			EPE, ER0			
14									VALVE, Check, 1/4, Serviced in Hose Assembly, (NOT SERVICED)
		2							VALVE PACKAGE, Check
-15						EP0			
	04549209	1	B, U			ER0			
		1	J, T			EP0			
		1	J, T						

CHEROKEE (XJ)

SERIES	LINE
H = Sport	T = JEEP - 2WD
L = SE	B = JEEP - 2WD (RHD)
P = Classic	J = JEEP - 4WD
S = Limited	U = JEEP - 4WD (RHD)

BODY
74 = 4 Dr (101.4WB)
72 = 2 Dr (101.4WB)

ENGINE
ENC = ENGINE - 2.5L 4 CYL TURBO DIESEL
EPE = ENGINE - 2.5L POWER TECH I-4 Cyl.
ERH = ENGINE - 4.0L POWER TECH I-6

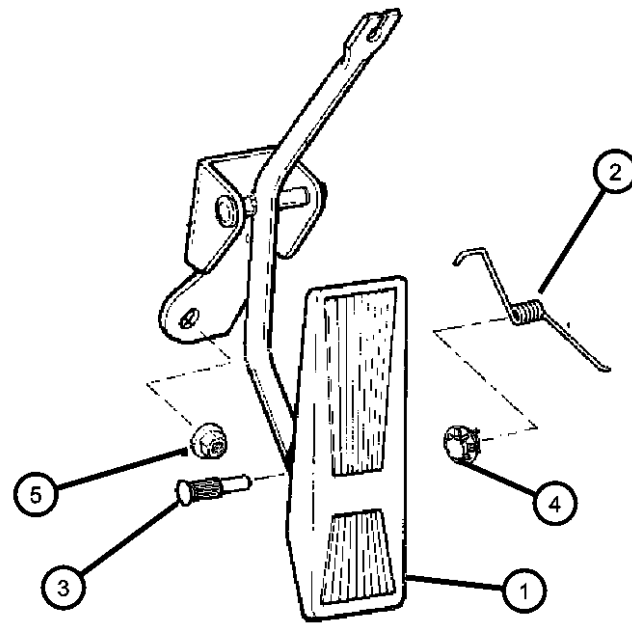
TRANSMISSION
DDD = TRANSMISSION - 5-SPEED HD MANUAL
DDQ = TRANSMISSION - 5-SPEED MANUAL
DGD = TRANSMISSION - 3-SPD. AUTOMATIC,30RH
DGK = TRANSMISSION - 4-SPD. AUTOMATIC,42RE
DGS = TRANSMISSION-4SPD. AUTO,AISIN WARNER
DGT = TRANSMISSION - 4-SPD. AUTOMATIC,46RE
DGW = TRANSMISSION - 4-SPD. AUTOMATIC,44RE
DGX = TRANSMISSION - 4-SPEED AUTOMATIC
DBB = ALL MANUAL TRANSMISSIONS
DGO = ALL AUTOMATIC TRANSMISSIONS

AR = use ase required - = Non illustrated part

**Accelerator Pedal
Figure 14-1110**

ITEM	PART NUMBER	QTY	LINE	SERIES	BODY	ENGINE	TRANS	TRIM	DESCRIPTION
------	-------------	-----	------	--------	------	--------	-------	------	-------------

NOTE: EP0=All 2.5L Gas Engines, EN0=2.5L Diesel Engines, ER0=All 4.0L Engines



1									PEDAL, Accelerator
	52079117	1	B, U			EN0			No Components Available
	52079206	1	J, T			EP0, ER0			
	52079207	1	B, U			EP0, ER0			
	52079216	1	J, T			EN0			No Components Available
2									SPRING, Torsion
	53030874	1	J, T			EP0, ER0			
		1	B, U			EP0, ER0			
3									PIN, Accelerator Pedal Mtg.
	52079019	1	J, T			EP0, ER0			
		1	B, U			EP0, ER0			
4									BUSHING, Accelerator Pedal
	52078653	2	J, T			EP0, ER0			
		2	B, U			EP0, ER0			
5	11503745	2				EN0, EP0, ER0			NUT, Hex, M6x1

CHEROKEE (XJ)

SERIES	LINE	BODY	ENGINE	TRANSMISSION
H = Sport	T = JEEP - 2WD	74 = 4 Dr (101.4WB)	ENC = ENGINE - 2.5L 4 CYL TURBO DIESEL	DDD = TRANSMISSION - 5-SPEED HD MANUAL
L = SE	B = JEEP - 2WD (RHD)	72 = 2 Dr (101.4WB)	EPE = ENGINE - 2.5L POWER TECH I-4 Cyl.	DDQ = TRANSMISSION - 5-SPEED MANUAL
P = Classic	J = JEEP - 4WD		ERH = ENGINE - 4.0L POWER TECH I-6	DGD = TRANSMISSION - 3-SPD. AUTOMATIC,30RH
S = Limited	U = JEEP - 4WD (RHD)			DGK = TRANSMISSION - 4-SPD. AUTOMATIC,42RE
				DGS = TRANSMISSION-4SPD. AUTO,AISIN WARNER
				DGT = TRANSMISSION - 4-SPD. AUTOMATIC,46RE
				DGW = TRANSMISSION - 4-SPD. AUTOMATIC,44RE
				DGX = TRANSMISSION - 4-SPEED AUTOMATIC
				DBB = ALL MANUAL TRANSMISSIONS
				DGO = ALL AUTOMATIC TRANSMISSIONS

AR = use ase required - = Non illustrated part

2000 XJ

Group - 16

Propeller Shafts and U-Joints

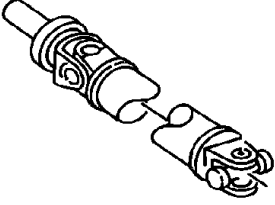
Group - 16 Propeller Shafts and U-Joints

Group-Fig. No.

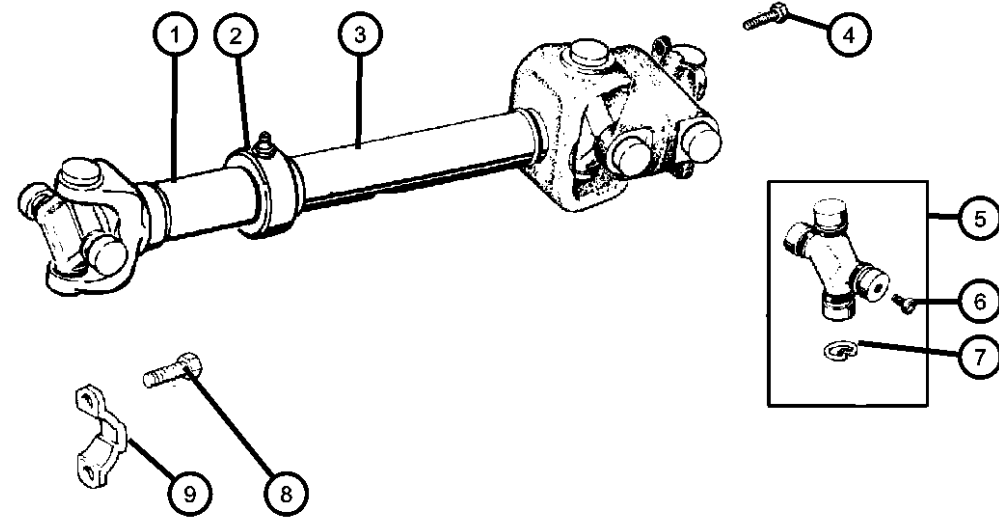
Illustration Title

Propeller Shaft

Propeller Shaft, Front Fig. 16 - 110
 Propeller Shaft, Rear Fig. 16 - 120

<p>016-100 Propeller Shaft</p> 			
--	--	--	--

**Propeller Shaft,Front
Figure 16-110**



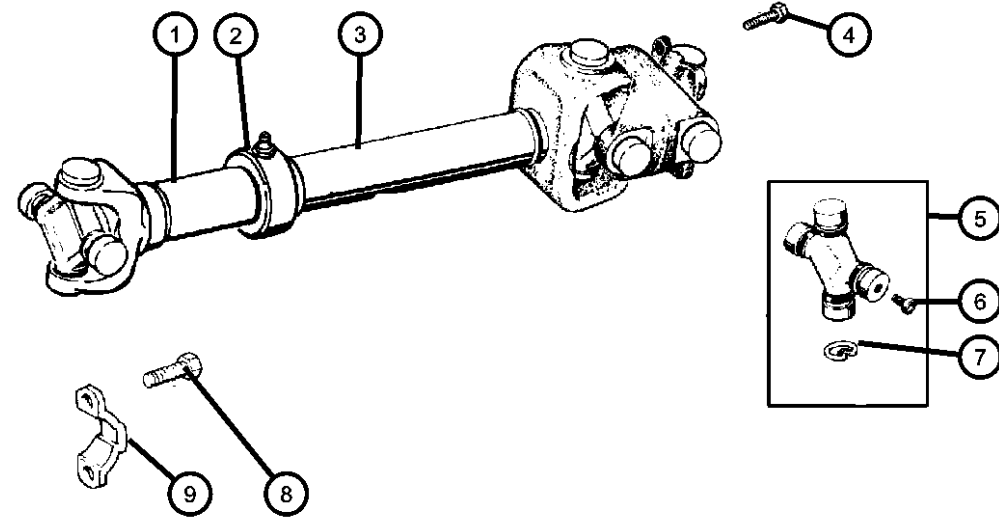
ITEM	PART NUMBER	QTY	LINE	SERIES	BODY	ENGINE	TRANS	TRIM	DESCRIPTION
1									YOKE, Drive Shaft
	83501594	1	J, U			EP0			
		1	J, U			ER0	DBB		
		1	J, U			ER0	DG0		
		1	J, U			EN0			
2									SEAL, Drive Shaft Yoke
	83501595	1	J, U			EP0			
		1	J, U			ER0	DBB		
		1	J, U			ER0	DG0		
		1	J, U			EN0			
3									SHAFT, Front Drive
	52098208	1	J, U			EN0			
	53005541	1	J, U			EP0			
	53005542	1	J, U			ER0	DG0		
	53005543	1	J, U			ER0	DBB		
4	06034966	4	J, U						BOLT, .312-24x1.170, Drive Shaft to Transfer Case Yoke, Mounting U JOINT
5									As Required
	04882793	1	J, U			EP0			
		1	J, U			ER0	DBB		As Required
		1	J, U			EN0			As Required

CHEROKEE (XJ)

SERIES	LINE	BODY	ENGINE	TRANSMISSION
H = Sport	T = JEEP - 2WD	74 = 4 Dr (101.4WB)	ENC = ENGINE - 2.5L 4 CYL TURBO DIESEL	DDD = TRANSMISSION - 5-SPEED HD MANUAL
L = SE	B = JEEP - 2WD (RHD)	72 = 2 Dr (101.4WB)	EPE = ENGINE - 2.5L POWER TECH I-4 Cyl.	DDQ = TRANSMISSION - 5-SPEED MANUAL
P = Classic	J = JEEP - 4WD		ERH = ENGINE - 4.0L POWER TECH I-6	DGD = TRANSMISSION - 3-SPD. AUTOMATIC,30RH
S = Limited	U = JEEP - 4WD (RHD)			DGK = TRANSMISSION - 4-SPD. AUTOMATIC,42RE
				DGS = TRANSMISSION-4SPD. AUTO,AISIN WARNER
				DGT = TRANSMISSION - 4-SPD. AUTOMATIC,46RE
				DGW = TRANSMISSION - 4-SPD. AUTOMATIC,44RE
				DGX = TRANSMISSION - 4-SPEED AUTOMATIC
				DBB = ALL MANUAL TRANSMISSIONS
				DGO = ALL AUTOMATIC TRANSMISSIONS

AR = use ase required - = Non illustrated part

**Propeller Shaft,Front
Figure 16-110**



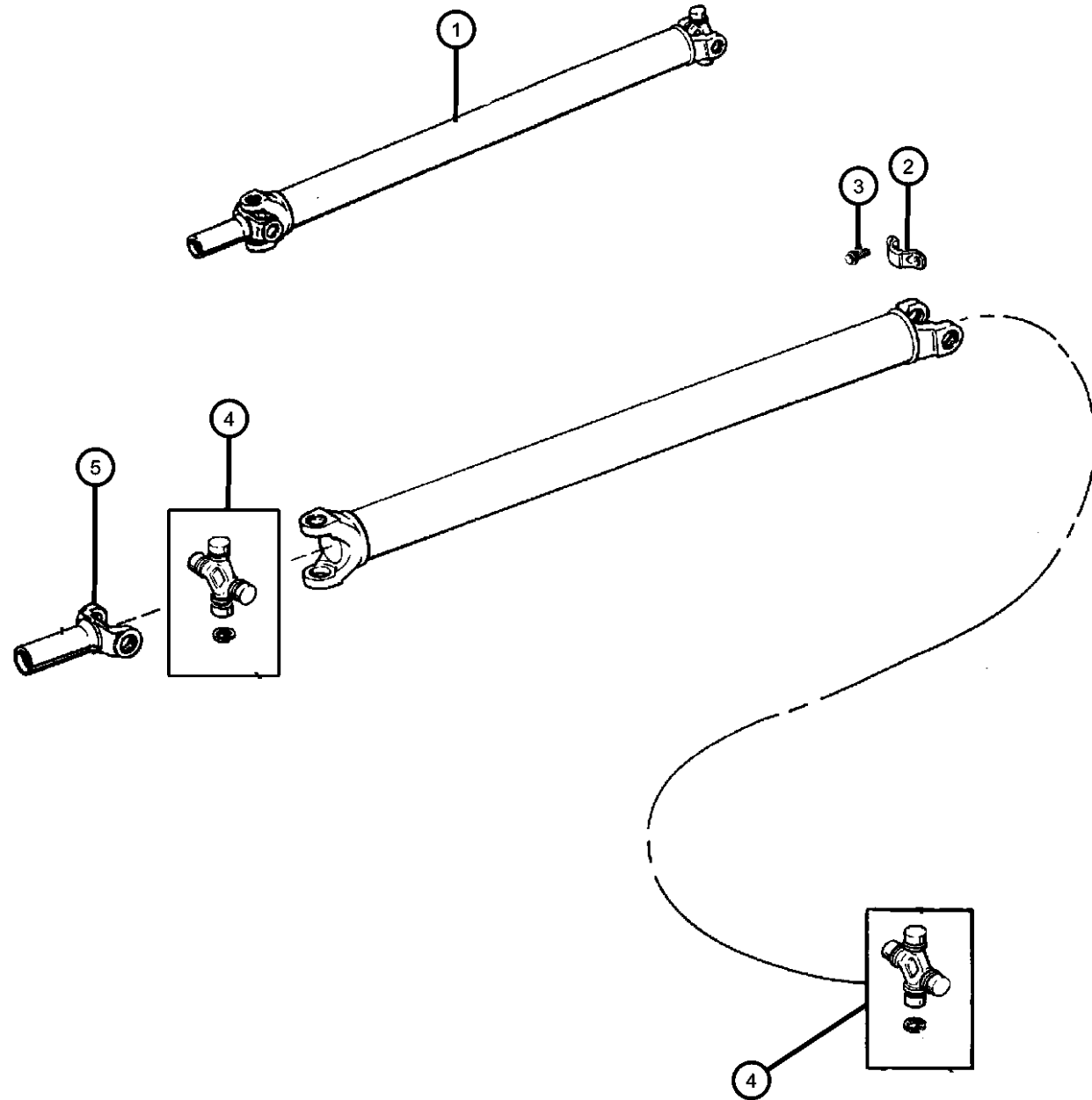
ITEM	PART NUMBER	QTY	LINE	SERIES	BODY	ENGINE	TRANS	TRIM	DESCRIPTION
		1	J, U			ER0	DG0		As Required
6	83507064	1	B, U						FITTING PACKAGE, Grease
		1	J, T						As Required
7	J3207886	4	J, U			EP0			As Required
		4	J, U			ER0	DBB		RING, U Joint
		4	J, U			ER0	DG0		
		4	J, U			EN0			
8	J4006928	4							BOLT, Drive Shaft to Front Axle Yoke, Mounting
9	J3240553	2	J, U						STRAP, Prop Shaft, Drive Shaft to Front Axle Yoke, Mounting

CHEROKEE (XJ)

SERIES	LINE	BODY	ENGINE	TRANSMISSION
H = Sport	T = JEEP - 2WD	74 = 4 Dr (101.4WB)	ENC = ENGINE - 2.5L 4 CYL TURBO DIESEL	DDD = TRANSMISSION - 5-SPEED HD MANUAL
L = SE	B = JEEP - 2WD (RHD)	72 = 2 Dr (101.4WB)	EPE = ENGINE - 2.5L POWER TECH I-4 Cyl.	DDQ = TRANSMISSION - 5-SPEED MANUAL
P = Classic	J = JEEP - 4WD		ERH = ENGINE - 4.0L POWER TECH I-6	DGD = TRANSMISSION - 3-SPD. AUTOMATIC,30RH
S = Limited	U = JEEP - 4WD (RHD)			DGK = TRANSMISSION - 4-SPD. AUTOMATIC,42RE
				DGS = TRANSMISSION-4SPD. AUTO,AISIN WARNER
				DGT = TRANSMISSION - 4-SPD. AUTOMATIC,46RE
				DGW = TRANSMISSION - 4-SPD. AUTOMATIC,44RE
				DGX = TRANSMISSION - 4-SPEED AUTOMATIC
				DBB = ALL MANUAL TRANSMISSIONS
				DGO = ALL AUTOMATIC TRANSMISSIONS

AR = use ase required - = Non illustrated part

**Propeller Shaft,Rear
Figure 16-120**



ITEM	PART NUMBER	QTY	LINE	SERIES	BODY	ENGINE	TRANS	TRIM	DESCRIPTION
------	-------------	-----	------	--------	------	--------	-------	------	-------------

Note: Sales Codes;
 DBB= Transmissions - All Manual
 DG0 = Transmissions - All Automatic
 DHN =Command-Trac Part Time 4WD System
 DRA= Axle - Rear, Corporate 8.25
 DRJ= Axle - Rear, Dana M35/194MM RBI
 DRM= Axle - Rear, Dana 35C/194MM
 EN0=Engines - All 4/5 Cylinder Turbo Diesel
 EP0=Engines -All 2.5L 4 Cylinder Gas
 ER0=Engines - All 4.0L 6 Cylinder Gas

1									SHAFT, Drive
	52098731AC	1	J, U			ER0	DG0		[DRJ,DRM]
	52098732AC	1	J, U			ER0	DBB		[DRA]
	52098744AB	1	J, U			EP0			
	52098814AB	1	J, U			ER0	DG0		[DRA]
	52098851	1	J, U			ER0	DBB		[DRJ]
	52099054AB	1	B, T			EP0	DG0		[DRA]
	52099056	1	B, T			ER0	DG0		[DRA]
	52099057	1	B, T			EP0	DBB		
	52099064	1	B, T			ER0	DG0		[DRJ,DRM]
	52099422	1	J, U			EN0	DBB		[DRJ,DRM,DHN]
	52111152AC	1	B, T			ER0	DBB		[DRA]
	52111153AC	1	B, T			ER0	DBB		[DRJ,DRM]
2	J3240553	2	J, U						STRAP, Prop Shaft
3	J4006928	4	J, U						BOLT
4									U JOINT
	04882793	1	J, U			ER0	DBB		[DRJ], Rear
		1	J, U			EN0	DBB		[DRJ,DRM,DHN], Rear

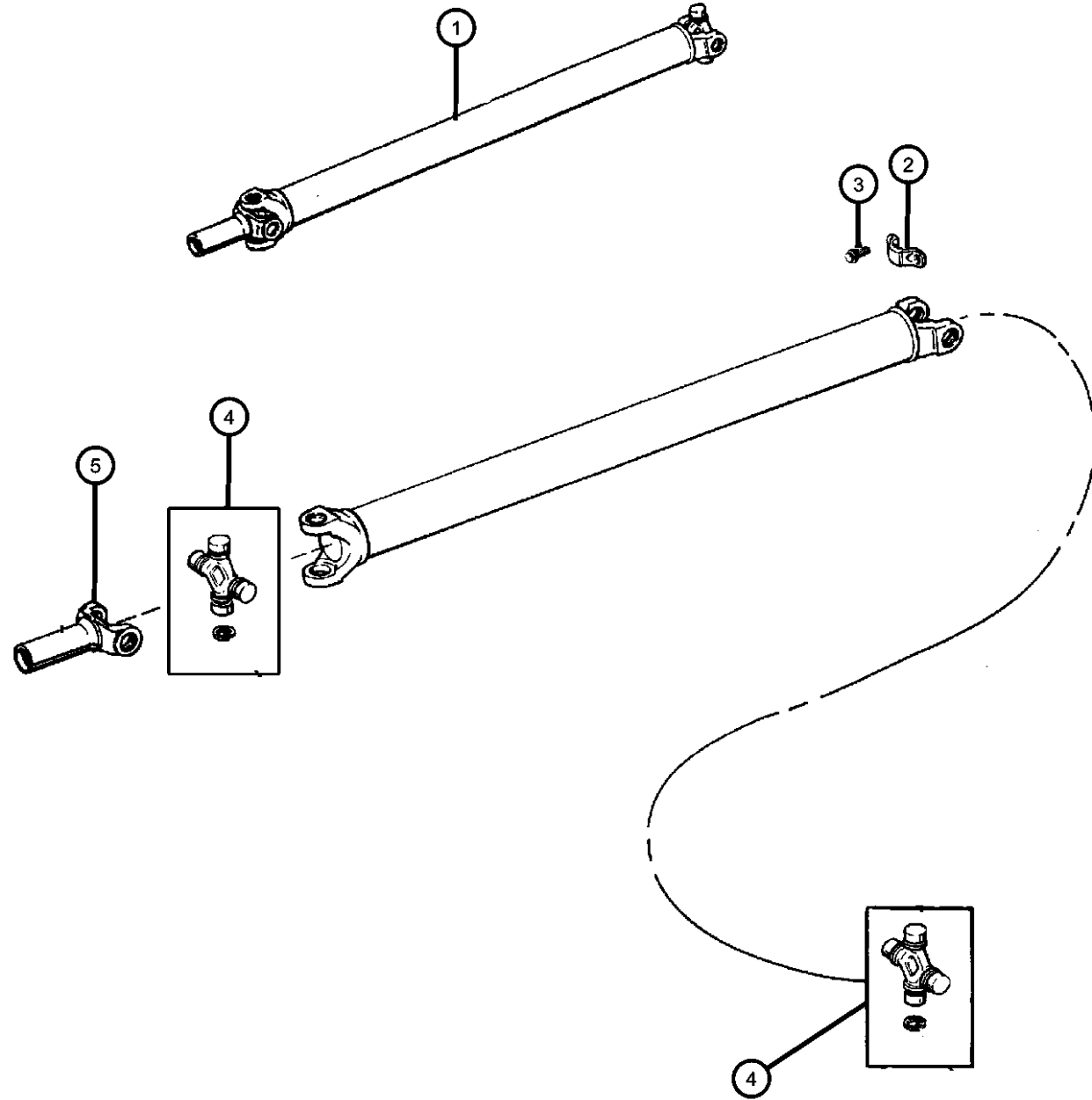
CHEROKEE (XJ)

SERIES	LINE	BODY	ENGINE	TRANSMISSION
H = Sport	T = JEEP - 2WD	74 = 4 Dr (101.4WB)	ENC = ENGINE - 2.5L 4 CYL TURBO DIESEL	DDD = TRANSMISSION - 5-SPEED HD MANUAL
L = SE	B = JEEP - 2WD (RHD)	72 = 2 Dr (101.4WB)	EPE = ENGINE - 2.5L POWER TECH I-4 Cyl.	DDQ = TRANSMISSION - 5-SPEED MANUAL
P = Classic	J = JEEP - 4WD		ERH = ENGINE - 4.0L POWER TECH I-6	DGD = TRANSMISSION - 3-SPD. AUTOMATIC,30RH
S = Limited	U = JEEP - 4WD (RHD)			DGK = TRANSMISSION - 4-SPD. AUTOMATIC,42RE
				DGS = TRANSMISSION-4SPD. AUTO,AISIN WARNER
				DGT = TRANSMISSION - 4-SPD. AUTOMATIC,46RE
				DGW = TRANSMISSION - 4-SPD. AUTOMATIC,44RE
				DGX = TRANSMISSION - 4-SPEED AUTOMATIC
				DBB = ALL MANUAL TRANSMISSIONS
				DGO = ALL AUTOMATIC TRANSMISSIONS

AR = use ase required - = Non illustrated part

2000 XJ

Propeller Shaft,Rear
Figure 16-120



ITEM	PART NUMBER	QTY	LINE	SERIES	BODY	ENGINE	TRANS	TRIM	DESCRIPTION
		1	B, T			EP0	DBB		Front or Rear
		1	J, U			ER0	DG0		[DRJ,DRM], Front or Rear
		1	J, U			ER0	DBB		[DRA], Front or Rear
		1	J, U			EP0			Front or Rear
		1	J, U			ER0	DG0		[DRA], Front or Rear
		1	B, T			ER0	DG0		[DRA], Front or Rear
		1	B, T			ER0	DG0		[DRJ,DRM], Front or Rear
		1	B, T			EP0	DG0		[DRA], Front or Rear
	05014062AA	1	J, U			ER0	DBB		[DRJ], Front
		1	J, U			EN0	DBB		[DRJ,DRM,DHN], Front
	05015694AA	1	B, T			ER0	DBB		[DRA], Front or Rear
		1	B, T			ER0	DBB		[DRJ,DRM], Front or Rear
5									YOKE, Drive Shaft
	04882714	1	J, U			ER0	DBB		[DRJ]
		1	J, U			EP0			
		1	J, U			ER0	DBB		[DRA]
		1	J, U			ER0	DG0		[DRJ,DRM]
		1	J, U			ER0	DG0		[DRA]
	05012918AA	1	J, U			EN0	DBB		[DRJ,DRM,DHN]
	05018320AA	1	B, T			ER0	DBB		[DRA]
		1	B, T			ER0	DBB		[DRJ,DRM]
	53001986	1	B, T			EP0	DG0		[DRA]
	53001987	1	B, T			EP0	DBB		
	83503593	1	B, T			ER0	DG0		[DRA]
		1	B, T			ER0	DG0		[DRJ,DRM]

CHEROKEE (XJ)

SERIES LINE
H = Sport T = JEEP - 2WD
L = SE B = JEEP - 2WD (RHD)
P = Classic J = JEEP - 4WD
S = Limited U = JEEP - 4WD (RHD)

BODY
74 = 4 Dr (101.4WB)
72 = 2 Dr (101.4WB)

ENGINE
ENC = ENGINE - 2.5L 4 CYL TURBO DIESEL
EPE = ENGINE - 2.5L POWER TECH I-4 Cyl.
ERH = ENGINE - 4.0L POWER TECH I-6

TRANSMISSION
DDD = TRANSMISSION - 5-SPEED HD MANUAL
DDQ = TRANSMISSION - 5-SPEED MANUAL
DGD = TRANSMISSION - 3-SPD. AUTOMATIC,30RH
DGK = TRANSMISSION - 4-SPD. AUTOMATIC,42RE
DGS = TRANSMISSION-4SPD. AUTO,AISIN WARNER
DGT = TRANSMISSION - 4-SPD. AUTOMATIC,46RE
DGW = TRANSMISSION - 4-SPD. AUTOMATIC,44RE
DGX = TRANSMISSION - 4-SPEED AUTOMATIC
DBB = ALL MANUAL TRANSMISSIONS
DGO = ALL AUTOMATIC TRANSMISSIONS

AR = use ase required - = Non illustrated part

2000 XJ

Group - 17

Rear Suspension

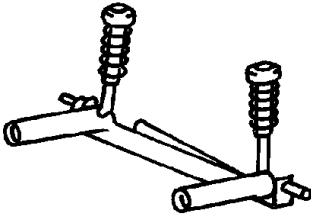
Group - 17 Rear Suspension

Group-Fig. No.

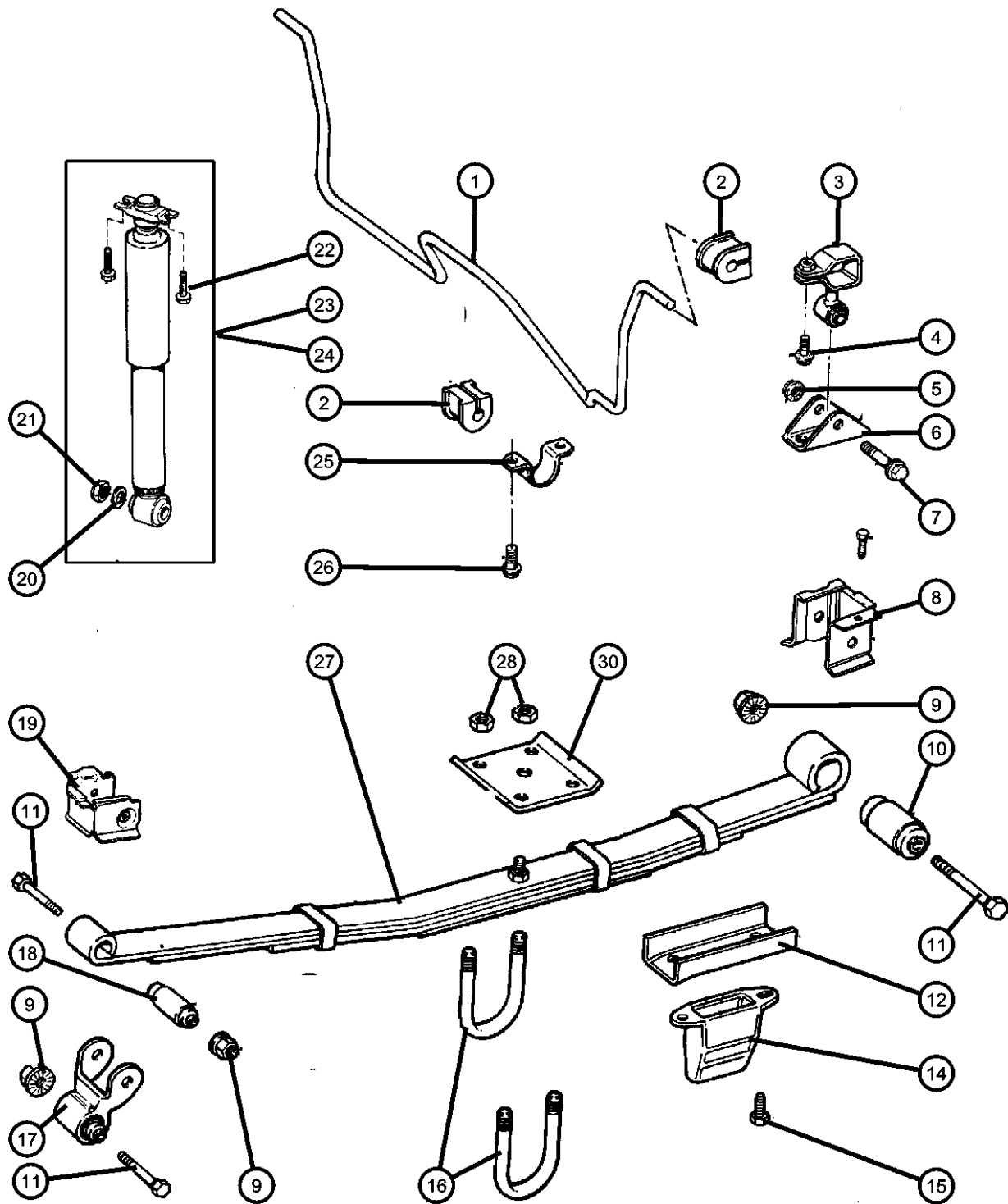
Illustration Title

Rear Suspension

Suspension, Rear and Shock Absorber Fig. 17 - 110

<p>017-100 Rear Suspension</p> 			
---	--	--	--

**Suspension, Rear and Shock Absorber
Figure 17-110**



ITEM	PART NUMBER	QTY	LINE	SERIES	BODY	ENGINE	TRANS	TRIM	DESCRIPTION
------	-------------	-----	------	--------	------	--------	-------	------	-------------

Note:Sales Codes:
 [DRA]=Axle - Rear,Corportate 8.25
 [DRJ]=Axle - Rear,Dana M35/194MM
 [DRM]=Axle - Rear,Dana 35C /194MM
 [SDA]=Suspension - Normal Duty
 [SDB]=Suspension - Heavy Duty
 [SDU]=Shocks - High Pressure Gas Charged
 Check VIN Number for The Type of 'Z' Code Springs are on The Truck

1	52001135	1							BAR, Rear Sway, Without [SDU]
2	52001145	4							CUSHION, Sway Eliminator, Without [SDU]
3	52001094	2							LINK, Sway Eliminator, Without [SDU]
4	34201686	2							BOLT, Hex Flange Head, M12x1.18x35, Without [SDU]
5	06502697	2							NUT, Hex Flange Lock, M12x1.75, Without [SDU]
6	52006450	2							BRACKET, Stabilizer Bar, Without [SDU]
7	11505098	2							BOLT, Hex Flange Head, M12x1.75x60, Without [SDU]
8									BRACKET, Spring
	05014590AA	1							Right, Front
	05014591AA	1							Left, Front
9									NUT, Hex, M14-2
	06503672	4							Rear Spring Rear, Mounting
		2							Rear Spring Front, Mounting
10	52000503	1							BUSHING, Spring, Rear Spring Front
11									BOLT, Hex Flange Head, M14x2.0x120
	34202118	4							Rear Spring Rear, Mounting

CHEROKEE (XJ)

SERIES	LINE
H = Sport	T = JEEP - 2WD
L = SE	B = JEEP - 2WD (RHD)
P = Classic	J = JEEP - 4WD
S = Limited	U = JEEP - 4WD (RHD)

BODY
74 = 4 Dr (101.4WB)
72 = 2 Dr (101.4WB)

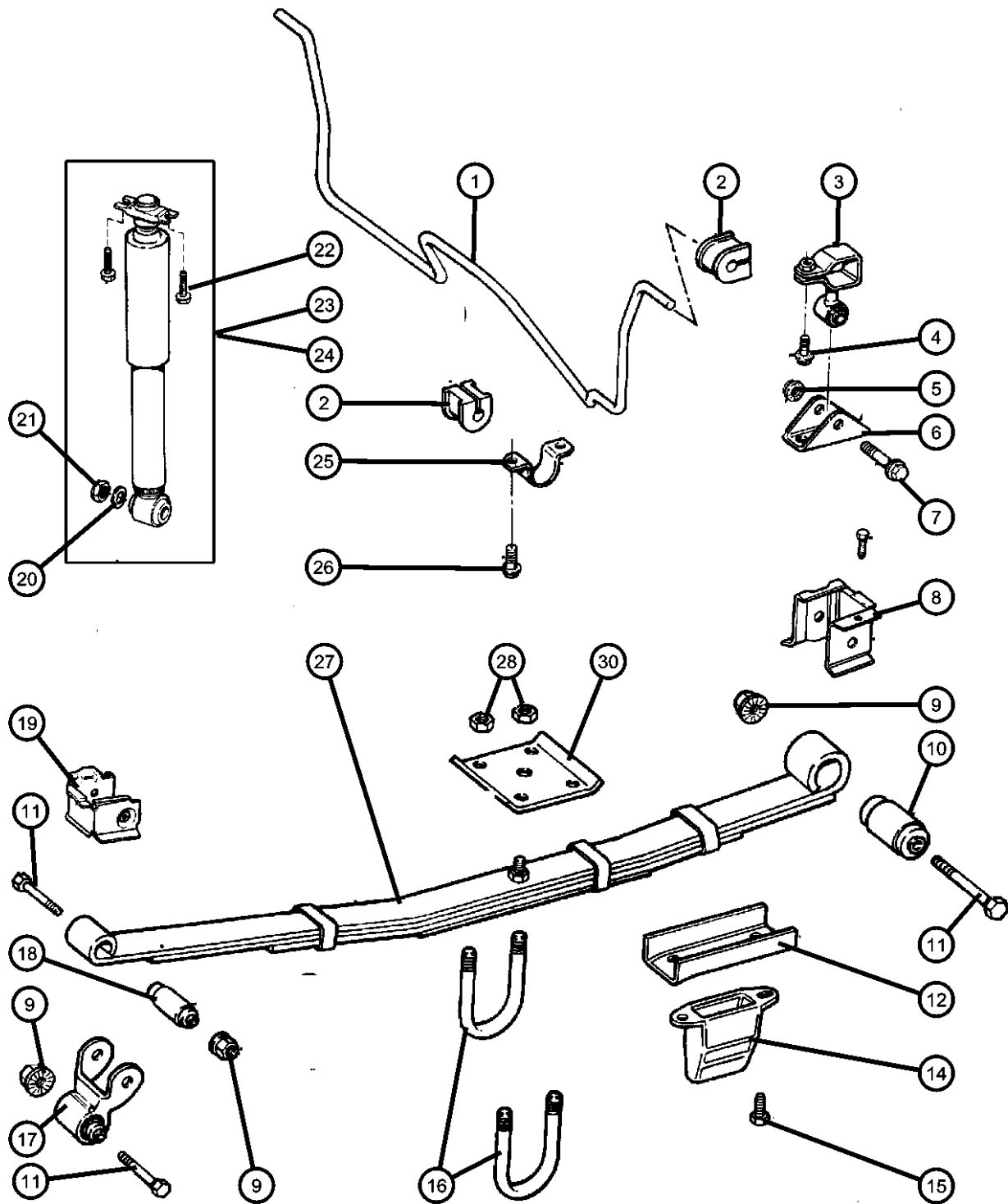
ENGINE
ENC = ENGINE - 2.5L 4 CYL TURBO DIESEL
EPE = ENGINE - 2.5L POWER TECH I-4 Cyl.
ERH = ENGINE - 4.0L POWER TECH I-6

TRANSMISSION
DDD = TRANSMISSION - 5-SPEED HD MANUAL
DDQ = TRANSMISSION - 5-SPEED MANUAL
DGD = TRANSMISSION - 3-SPD. AUTOMATIC,30RH
DGK = TRANSMISSION - 4-SPD. AUTOMATIC,42RE
DGS = TRANSMISSION-4SPD. AUTO,AISIN WARNER
DGT = TRANSMISSION - 4-SPD. AUTOMATIC,46RE
DGW = TRANSMISSION - 4-SPD. AUTOMATIC,44RE
DGX = TRANSMISSION - 4-SPEED AUTOMATIC
DBB = ALL MANUAL TRANSMISSIONS
DGO = ALL AUTOMATIC TRANSMISSIONS

AR = use ase required - = Non illustrated part

2000 XJ

**Suspension, Rear and Shock Absorber
Figure 17-110**



ITEM	PART NUMBER	QTY	LINE	SERIES	BODY	ENGINE	TRANS	TRIM	DESCRIPTION
		2							Rear Spring Front, Mounting
12	52002386	2	J, U						REINFORCEMENT, Jounce Bumper, [SDU], Mounting
-13	J4005293	2	J, U						RETAINER, Push In Type M6.3 Hole, [SDU], Mounting
14									BUMPER, Jounce
	52002393	2	J, U						[SDU]
	52004297	2							Without [SDU]
15	J4001933	2							SCREW, Hex Flange Head, .312-x18x.875, Jounce Bumper, Mounting
16									U-BOLT, Rear Spring
	52004010	4							[DRA]
	52006440	4							[DRJ,DRM]
	52059507AA	4							[DRM,AHB]
17	52000507	2							SHACKLE, Spring
18	52000504	1							BUSHING, Spring, Rear Spring Rear
19									BRACKET, Spring
	55001102	1							Right, Rear
	55001103	1							Left, Rear
20	55001103	1							WASHER, Shock Absorber, Order shock, (NOT SERVICED)
21	06101688	2							NUT, Hex Lock, M12x1.75, Shock, Mounting
22	J4001933	4							SCREW, Hex Flange Head, .312-x18x.875, Shock, Mounting
23									SHOCK ABSORBER, Suspension, Rear
	52087777AF	2							[SDA]

CHEROKEE (XJ)

SERIES LINE
 H = Sport T = JEEP - 2WD
 L = SE B = JEEP - 2WD (RHD)
 P = Classic J = JEEP - 4WD
 S = Limited U = JEEP - 4WD (RHD)

BODY
 74 = 4 Dr (101.4WB)
 72 = 2 Dr (101.4WB)

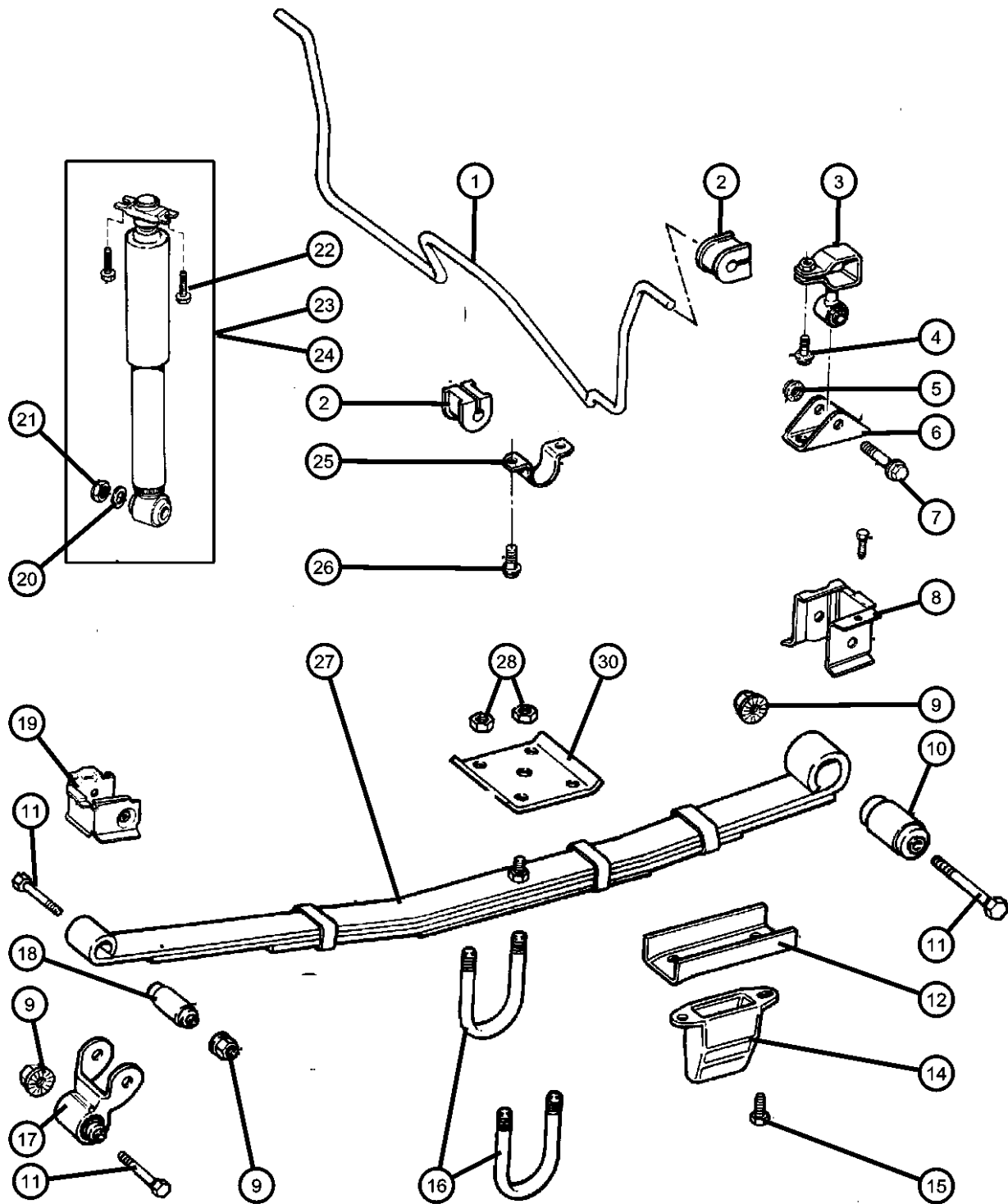
ENGINE
 ENC = ENGINE - 2.5L 4 CYL TURBO DIESEL
 EPE = ENGINE - 2.5L POWER TECH I-4 Cyl.
 ERH = ENGINE - 4.0L POWER TECH I-6

TRANSMISSION
 DDD = TRANSMISSION - 5-SPEED HD MANUAL
 DDQ = TRANSMISSION - 5-SPEED MANUAL
 DGD = TRANSMISSION - 3-SPD. AUTOMATIC,30RH
 DGK = TRANSMISSION - 4-SPD. AUTOMATIC,42RE
 DGS = TRANSMISSION-4SPD. AUTO,AISIN WARNER
 DGT = TRANSMISSION - 4-SPD. AUTOMATIC,46RE
 DGW = TRANSMISSION - 4-SPD. AUTOMATIC,44RE
 DGX = TRANSMISSION - 4-SPEED AUTOMATIC
 DBB = ALL MANUAL TRANSMISSIONS
 DGO = ALL AUTOMATIC TRANSMISSIONS

AR = use ase required - = Non illustrated part

2000 XJ

**Suspension, Rear and Shock Absorber
Figure 17-110**



ITEM	PART NUMBER	QTY	LINE	SERIES	BODY	ENGINE	TRANS	TRIM	DESCRIPTION
	0SG23197								Mopar V-Line Alternative Part [SDB]
	52087948AD	2							Rancho Shock
	0SGR5129								Mopar V-Line Alternative Part
24	04886509AG	2	J, U						SHOCK ABSORBER PACKAGE, Suspension, [SDU]
	0SGR5129								Rancho Shock
	0SG23197								Mopar V-Line Alternative Part
25	52087865	2							RETAINER, Stabilizer Bar GrommetMounting
26	06505574AA	4							SCREW AND WASHER, Hex Head, M10x1.5x40, Sway Bar Retainer, Mounting
27									SPRING, Rear Leaf
	52000050AB	1							[ZFS,ZUS]
	52000051AB	1							[ZFT,ZUT]
	52000544AB	1							[ZGS,ZVS]
	52000545AB	1							[ZGT,ZVT]
	52000706AB	1							[ZFU,ZUU]
	52000707AB	1							[ZGU,ZVU]
	52002390AB	1							[ZGV,ZVV]
	52002392AB	1							[ZGW,ZVW]
28	06502697	8							NUT, Hex Flange Lock, M12x1.75, U-Bolt, Mounting
-29	06501847	8							SPACER, Rear Spring U-Bolt, Mounting
30	52006449	2							PLATE, U BoltMounting

CHEROKEE (XJ)

SERIES LINE
 H = Sport T = JEEP - 2WD
 L = SE B = JEEP - 2WD (RHD)
 P = Classic J = JEEP - 4WD
 S = Limited U = JEEP - 4WD (RHD)

BODY
 74 = 4 Dr (101.4WB)
 72 = 2 Dr (101.4WB)

ENGINE
 ENC = ENGINE - 2.5L 4 CYL TURBO DIESEL
 EPE = ENGINE - 2.5L POWER TECH I-4 Cyl.
 ERH = ENGINE - 4.0L POWER TECH I-6

TRANSMISSION
 DDD = TRANSMISSION - 5-SPEED HD MANUAL
 DDQ = TRANSMISSION - 5-SPEED MANUAL
 DGD = TRANSMISSION - 3-SPD. AUTOMATIC,30RH
 DGK = TRANSMISSION - 4-SPD. AUTOMATIC,42RE
 DGS = TRANSMISSION-4SPD. AUTO,AISIN WARNER
 DGT = TRANSMISSION - 4-SPD. AUTOMATIC,46RE
 DGW = TRANSMISSION - 4-SPD. AUTOMATIC,44RE
 DGX = TRANSMISSION - 4-SPEED AUTOMATIC
 DBB = ALL MANUAL TRANSMISSIONS
 DGO = ALL AUTOMATIC TRANSMISSIONS

AR = use ase required - = Non illustrated part

2000 XJ

Group - 19

Steering

Group - 19 Steering

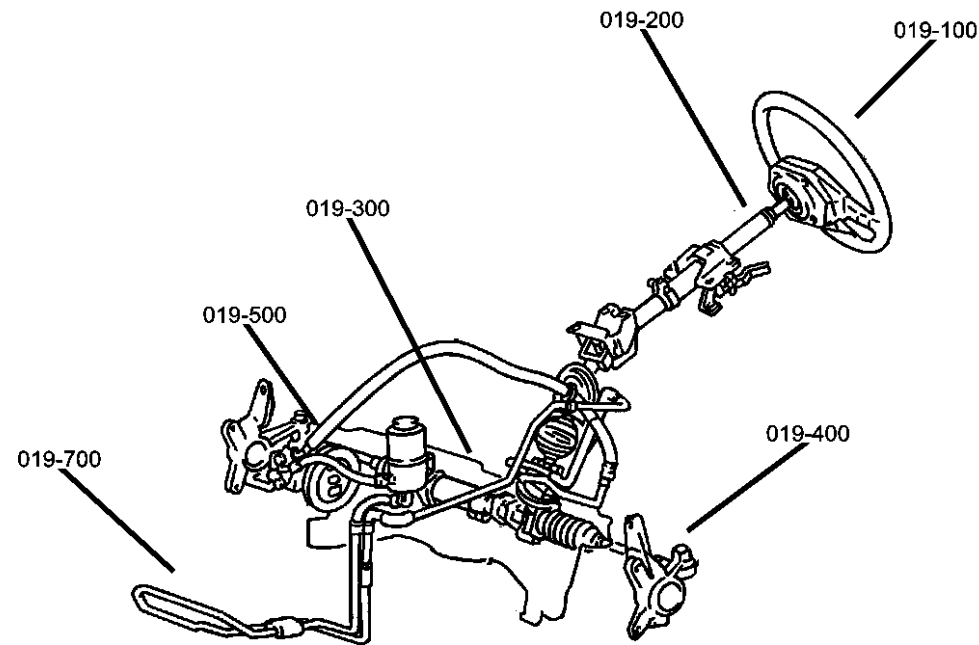


Illustration Title

Group-Fig. No.

Steering Wheel

Wheel Steering Fig. 19 - 110

Steering Column

Column, Steering Upper and Lower Fig. 19 - 250

Steering Gear

Gear, Steering Fig. 19 - 320

Steering Linkage

Linkage and Damper Fig. 19 - 410

Power Steering Pump

Pump and Mounting, with 2.5L Gas Engine Fig. 19 - 530

Pump and Mounting, with 4.0L Engine Fig. 19 - 535

Pump and Mounting, with 2.5L Diesel Engine Fig. 19 - 545

Power Steering Hoses

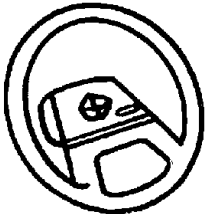
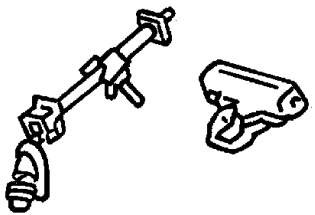
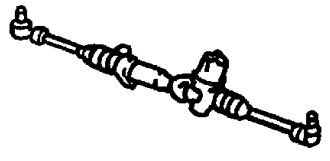
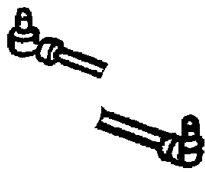
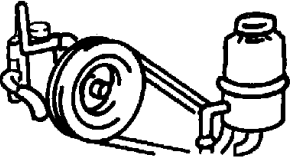
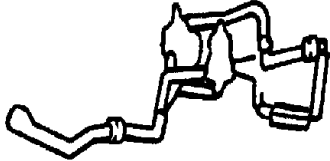
Hoses and Reservoir, 2.5L Gas Engine, Left Hand Drive Fig. 19 - 715

Hoses and Reservoir, 2.5L Gas Engine, Right Hand Drive Fig. 19 - 725

Hoses and Reservoir, 4.0L Gas Engine Fig. 19 - 740

Hoses and Reservoir, 2.5L Diesel Engine, Left Hand Drive Fig. 19 - 745

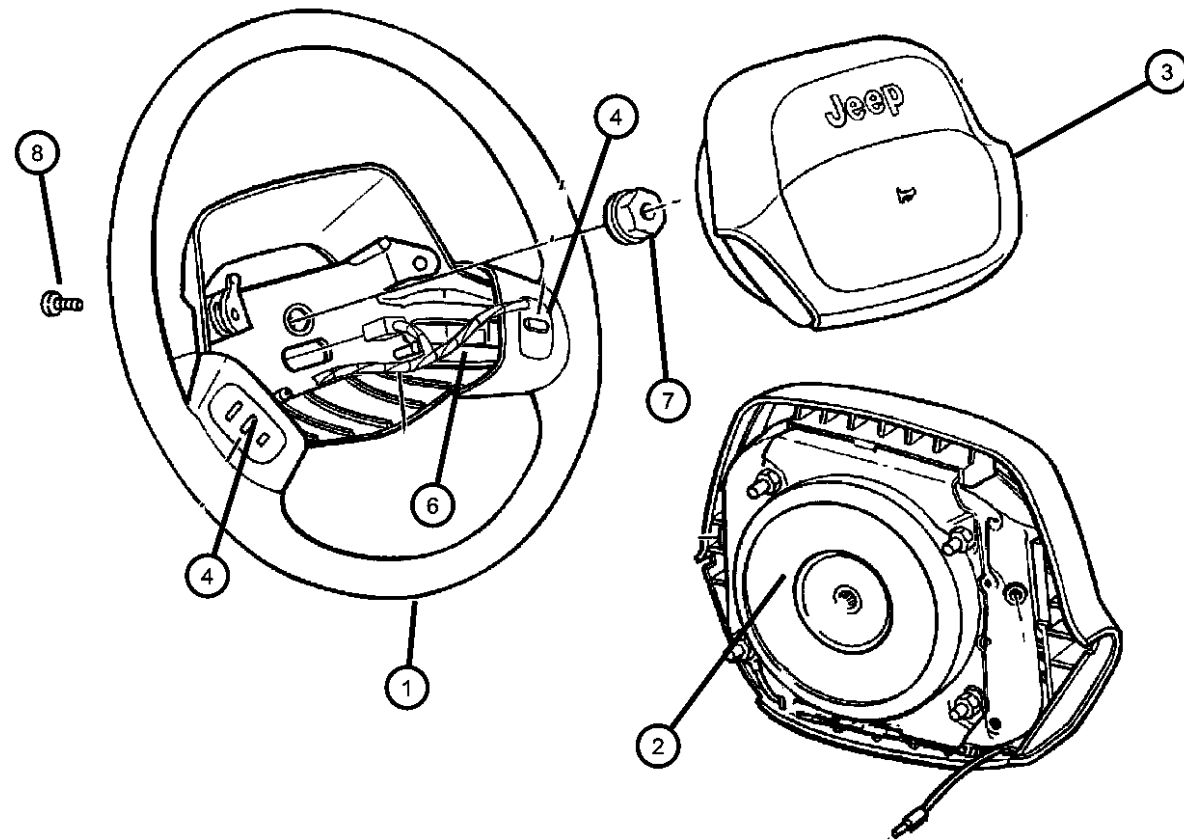
Hoses and Reservoir, 2.5L Diesel Engine, Right Hand Drive Fig. 19 - 755

<p>019-100 Steering Wheel</p> 	<p>019-200 Steering Column</p> 	<p>019-300 Steering Gear</p> 	<p>019-400 Steering Linkage</p> 
<p>019-500 Power Steering Pump</p> 	<p>019-700 Power Steering Hoses</p> 		

Wheel Steering
Figure 19-110

ITEM	PART NUMBER	QTY	LINE	SERIES	BODY	ENGINE	TRANS	TRIM	DESCRIPTION
------	-------------	-----	------	--------	------	--------	-------	------	-------------

Note: If Horn Switch is defective, you must replace the AIR BAG COVER WITH SWITCH and not the AIR BAG MODULE ASSEMBLY itself.



1									WHEEL, Steering
	5DY22LAZAC	1							Leather, w/speed control
	5GK431AZAA	1							Sport
	5GL441AZAA	1							Leather, w/o Speed Control
2	5GC51LAZAB	1							AIR BAG, Driver
3	04798182	1							COVER, Air Bag Module, Includes Horn Switch
4									SWITCH, Speed Control
	56007530AD	1							Right
	56007531AD	1							Left
-5									BEZEL, Steering Wheel
	5GK16DX9AA	1							Right
	5GK17DX9AA	1							Left
6	56009437	1							WIRING, Steering Wheel
7	04882610	3				ENO			NUT, Lock
8	06503771	2							SCREW, Hex Flange Head, M6x1x23

CHEROKEE (XJ)

SERIES	LINE	BODY	ENGINE	TRANSMISSION
H = Sport	T = JEEP - 2WD	74 = 4 Dr (101.4WB)	ENC = ENGINE - 2.5L 4 CYL TURBO DIESEL	DDD = TRANSMISSION - 5-SPEED HD MANUAL
L = SE	B = JEEP - 2WD (RHD)	72 = 2 Dr (101.4WB)	EPE = ENGINE - 2.5L POWER TECH I-4 Cyl.	DDQ = TRANSMISSION - 5-SPEED MANUAL
P = Classic	J = JEEP - 4WD		ERH = ENGINE - 4.0L POWER TECH I-6	DGD = TRANSMISSION - 3-SPD. AUTOMATIC,30RH
S = Limited	U = JEEP - 4WD (RHD)			DGK = TRANSMISSION - 4-SPD. AUTOMATIC,42RE
				DGS = TRANSMISSION-4SPD. AUTO,AISIN WARNER
				DGT = TRANSMISSION - 4-SPD. AUTOMATIC,46RE
				DGW = TRANSMISSION - 4-SPD. AUTOMATIC,44RE
				DGX = TRANSMISSION - 4-SPEED AUTOMATIC
				DBB = ALL MANUAL TRANSMISSIONS
				DGO = ALL AUTOMATIC TRANSMISSIONS

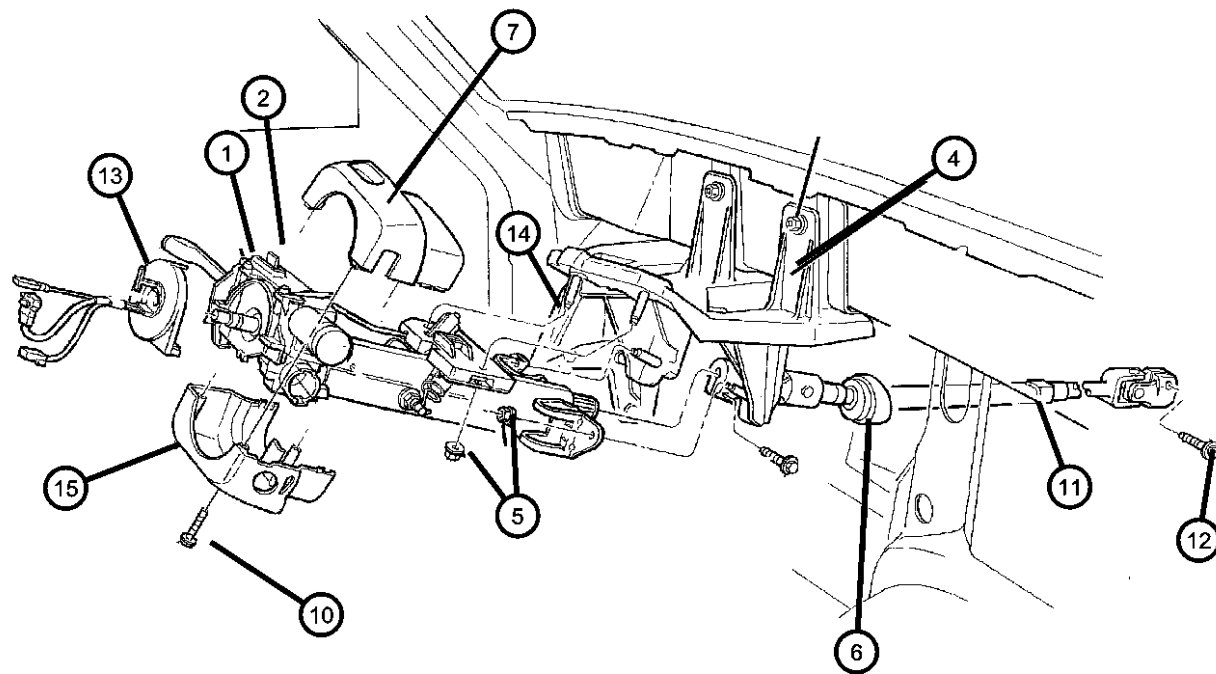
AR = use ase required - = Non illustrated part

2000 XJ

**Column, Steering Upper and Lower
Figure 19-250**

ITEM	PART NUMBER	QTY	LINE	SERIES	BODY	ENGINE	TRANS	TRIM	DESCRIPTION
------	-------------	-----	------	--------	------	--------	-------	------	-------------

NOTES; SALES CODE DGO= ALL AUTOMATIC TRANSMISSIONS, DBB= MANUAL TRANSMISSIONS, ABB= EUROPEAN EQUIPMENT



1									COLUMN, Steering, Non tilt
	04897818AB	1					DG0		
	04897820AB	1					DBB		
2									COLUMN, Steering, Tilt
	04897809AB	1					DG0		w/o ABB
	04897810AB	1					DG0		w/ ABB
	04897811AB	1					DBB		w/o ABB
	04897812AB	1					DBB		w/ ABB
-3									LEVER, Tilt Column Release
	04690372AD	1					DG0		
		1					DBB		
4									BRACKET, Steering Column
	52078853	1		J, T					
	52078930AB	1		B, U					
5	06501279	5							NUT, Hex Flange Lock, M8x1.25
6	06501279	5							SEAL, Steering Column Shaft, (NOT SERVICED)
7									SHROUD, Steering Column
	5FV71LAZAC	1					DBB		w/Tilt, Upper
		1					DG0		w/Tilt, Upper
	5FV74LAZAC	1					DBB		w/o Tilt, Upper
		1					DG0		w/o Tilt, Upper
-8	55314965AB	1							TRIM RING, Ignition Key Cylinder
-9									SHIELD, Steering Column

CHEROKEE (XJ)

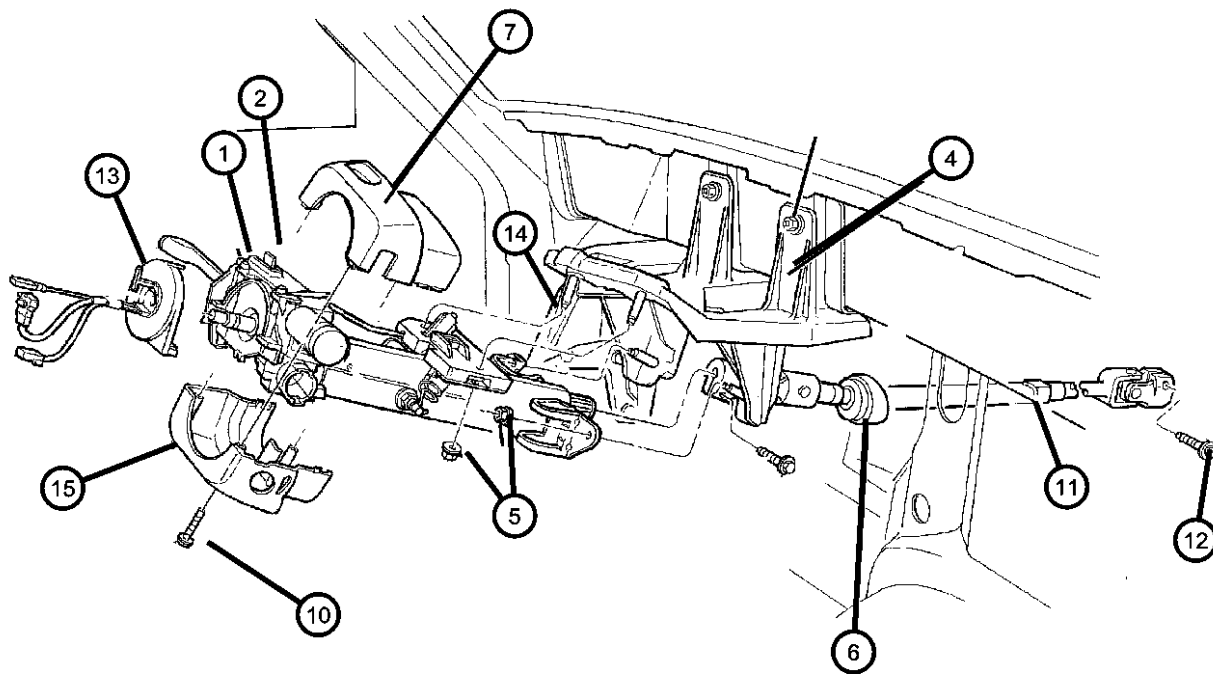
SERIES	LINE	BODY	ENGINE	TRANSMISSION
H = Sport	T = JEEP - 2WD	74 = 4 Dr (101.4WB)	ENC = ENGINE - 2.5L 4 CYL TURBO DIESEL	DDD = TRANSMISSION - 5-SPEED HD MANUAL
L = SE	B = JEEP - 2WD (RHD)	72 = 2 Dr (101.4WB)	EPE = ENGINE - 2.5L POWER TECH I-4 Cyl.	DDQ = TRANSMISSION - 5-SPEED MANUAL
P = Classic	J = JEEP - 4WD		ERH = ENGINE - 4.0L POWER TECH I-6	DGD = TRANSMISSION - 3-SPD. AUTOMATIC,30RH
S = Limited	U = JEEP - 4WD (RHD)			DGK = TRANSMISSION - 4-SPD. AUTOMATIC,42RE
				DGS = TRANSMISSION-4SPD. AUTO,AISIN WARNER
				DGT = TRANSMISSION - 4-SPD. AUTOMATIC,46RE
				DGW = TRANSMISSION - 4-SPD. AUTOMATIC,44RE
				DGX = TRANSMISSION - 4-SPEED AUTOMATIC
				DBB = ALL MANUAL TRANSMISSIONS
				DGO = ALL AUTOMATIC TRANSMISSIONS

AR = use ase required - = Non illustrated part

2000 XJ

**Column, Steering Upper and Lower
Figure 19-250**

ITEM	PART NUMBER	QTY	LINE	SERIES	BODY	ENGINE	TRANS	TRIM	DESCRIPTION
	52079332	1					DG0		
		1					DBB		
10	06035434	3							SCREW AND WASHER, Pan Head
11	52079010AF	1							SHAFT, Intermediate
12	06503210	2							SCREW, Hex Flange Head, M10x1.5x35.
13									CLOCKSPRING Without [NHM] With [NHM]
	56009070	1							
	56009071	1							
14									BRACKET, Instrument Panel Wiring
	56009146	1	J, T						
	56009147	1	B, U						
15									SHROUD, Steering Column
	5FV70LAZAC	1					DG0		
	5FV76LAZAC	1					DBB		

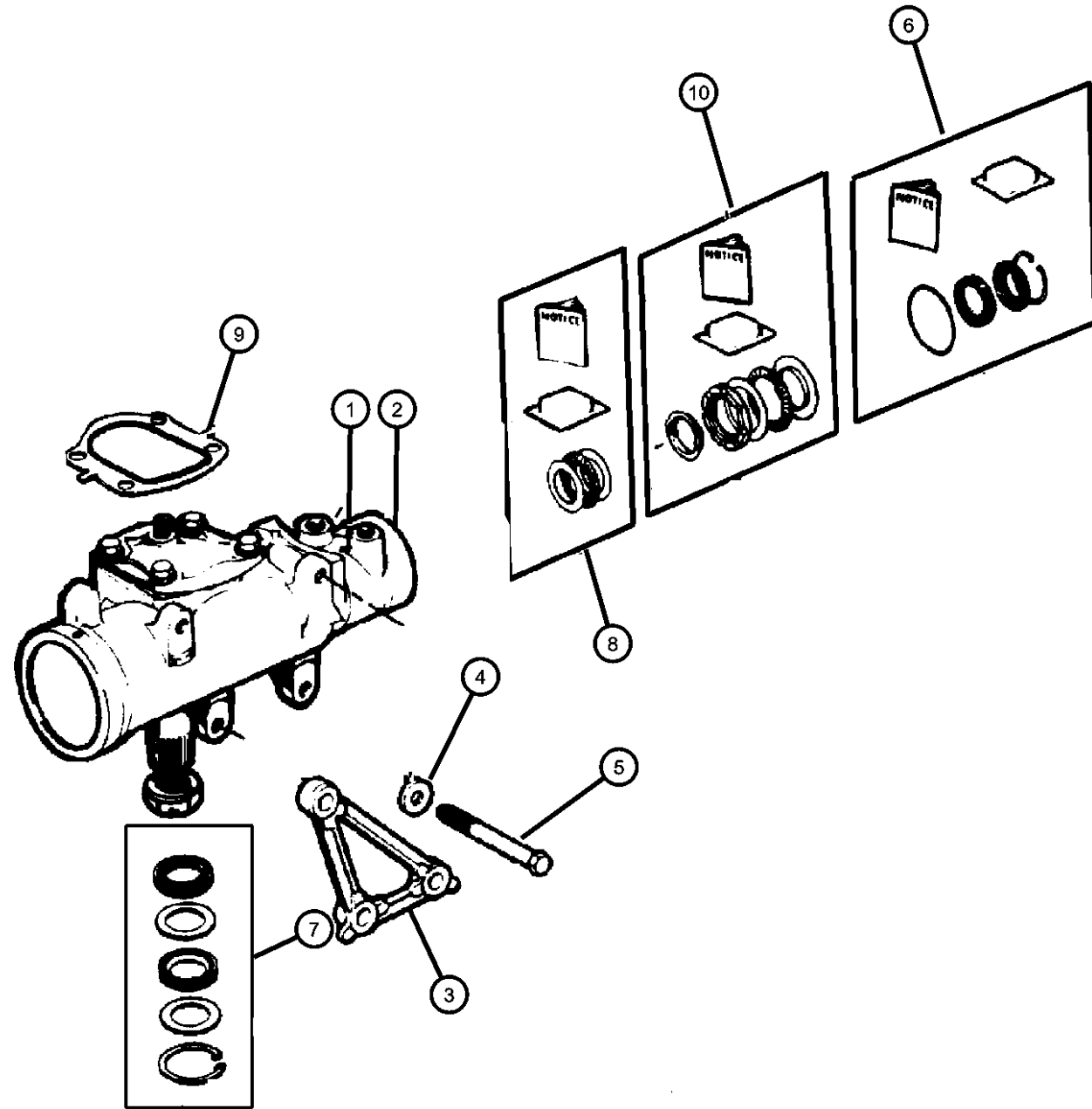


CHEROKEE (XJ)

SERIES	LINE	BODY	ENGINE	TRANSMISSION
H = Sport	T = JEEP - 2WD	74 = 4 Dr (101.4WB)	ENC = ENGINE - 2.5L 4 CYL TURBO DIESEL	DDD = TRANSMISSION - 5-SPEED HD MANUAL
L = SE	B = JEEP - 2WD (RHD)	72 = 2 Dr (101.4WB)	EPE = ENGINE - 2.5L POWER TECH I-4 Cyl.	DDQ = TRANSMISSION - 5-SPEED MANUAL
P = Classic	J = JEEP - 4WD		ERH = ENGINE - 4.0L POWER TECH I-6	DGD = TRANSMISSION - 3-SPD. AUTOMATIC,30RH
S = Limited	U = JEEP - 4WD (RHD)			DGK = TRANSMISSION - 4-SPD. AUTOMATIC,42RE
				DGS = TRANSMISSION-4SPD. AUTO,AISIN WARNER
				DGT = TRANSMISSION - 4-SPD. AUTOMATIC,46RE
				DGW = TRANSMISSION - 4-SPD. AUTOMATIC,44RE
				DGX = TRANSMISSION - 4-SPEED AUTOMATIC
				DBB = ALL MANUAL TRANSMISSIONS
				DGO = ALL AUTOMATIC TRANSMISSIONS

AR = use ase required - = Non illustrated part

Gear, Steering
Figure 19-320



ITEM	PART NUMBER	QTY	LINE	SERIES	BODY	ENGINE	TRANS	TRIM	DESCRIPTION
1	52088386AC	1	J, T						GEAR, Power Steering
2	52088532AE	1	B, U						GEAR, Power Steering, RHD
3	52000090	1	J, T						ADAPTER, Steering Gear
4	J4003926	3							WASHER, Flat, .437x.875x.135
5	06035939AA	3							SCREW, Hex Head
6	03893557	1	J, T						SEAL KIT, Steering gear end plug
7	04470365	1	J, T						SEAL KIT, Steering gear pitman shaft
8	04897000AA	1	J, T						REPAIR KIT, Thrust Bearing, Steering Gear
9	03893558	1	J, T						SEAL, Steering Gear Cover
10	04886349AA	1	J, T						SEAL KIT, Steering gear adjuster plug

CHEROKEE (XJ)

SERIES	LINE
H = Sport	T = JEEP - 2WD
L = SE	B = JEEP - 2WD (RHD)
P = Classic	J = JEEP - 4WD
S = Limited	U = JEEP - 4WD (RHD)

BODY
74 = 4 Dr (101.4WB)
72 = 2 Dr (101.4WB)

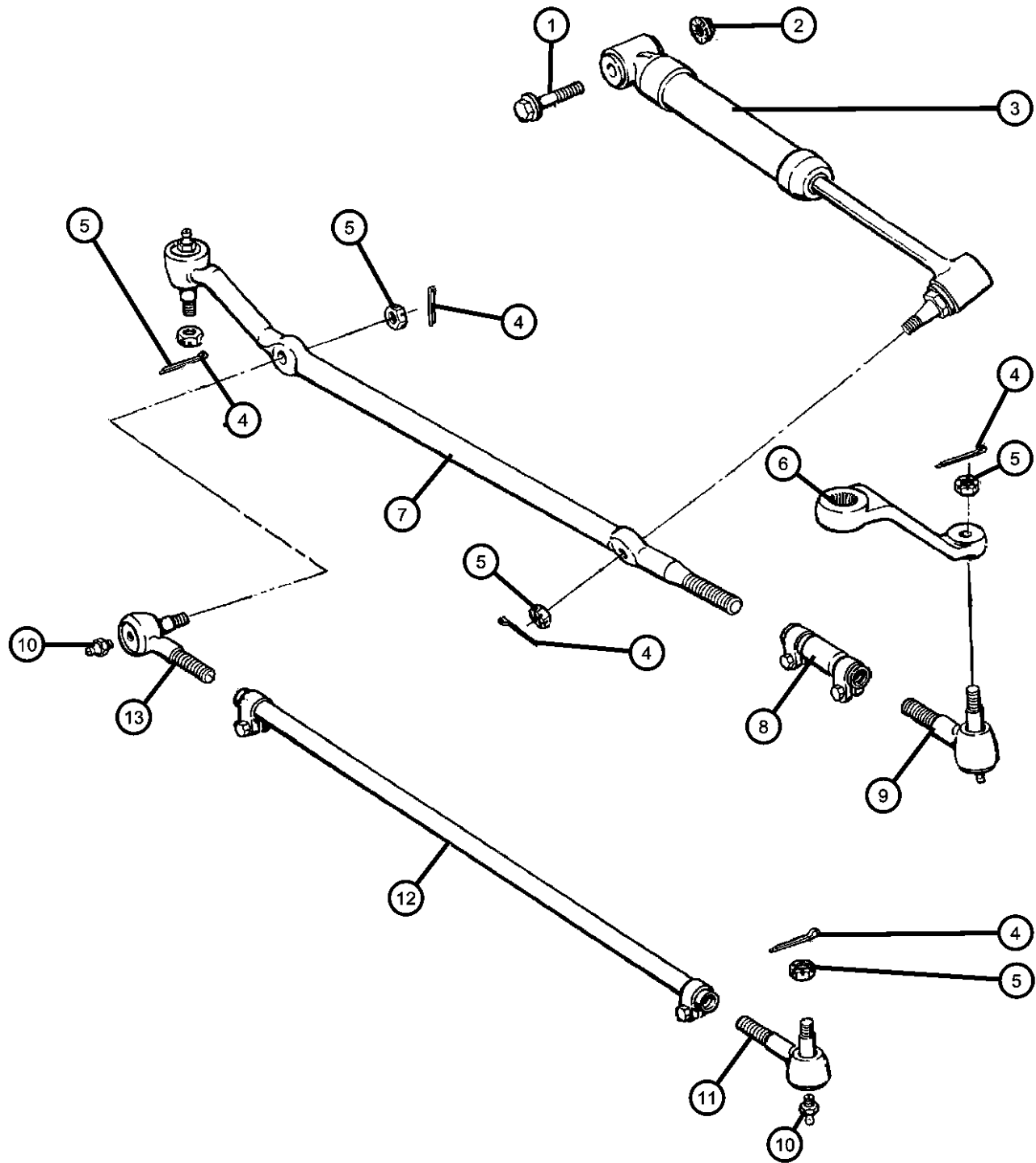
ENGINE
ENC = ENGINE - 2.5L 4 CYL TURBO DIESEL
EPE = ENGINE - 2.5L POWER TECH I-4 Cyl.
ERH = ENGINE - 4.0L POWER TECH I-6

TRANSMISSION
DDD = TRANSMISSION - 5-SPEED HD MANUAL
DDQ = TRANSMISSION - 5-SPEED MANUAL
DGD = TRANSMISSION - 3-SPD. AUTOMATIC,30RH
DGK = TRANSMISSION - 4-SPD. AUTOMATIC,42RE
DGS = TRANSMISSION-4SPD. AUTO,AISIN WARNER
DGT = TRANSMISSION - 4-SPD. AUTOMATIC,46RE
DGW = TRANSMISSION - 4-SPD. AUTOMATIC,44RE
DGX = TRANSMISSION - 4-SPEED AUTOMATIC
DBB = ALL MANUAL TRANSMISSIONS
DGO = ALL AUTOMATIC TRANSMISSIONS

AR = use ase required - = Non illustrated part

2000 XJ

Linkage and Damper
Figure 19-410



ITEM	PART NUMBER	QTY	LINE	SERIES	BODY	ENGINE	TRANS	TRIM	DESCRIPTION
1	11505098	1							BOLT, Hex Flange Head, M12x1.75x60
2	06502697	1							NUT, Hex Flange Lock, M12x1.75
3									DAMPER, Steering Linkage
	52037506AB	1	B, U						
	52087827AB	1	J, T						
4	34202101	1							PIN, Cotter
5	J0274428	1							NUT, Hex Slotted
6									ARM, Pitman
	52000615	1	J, T						
	52006505	1	B, U						
7									SOCKET, Drag Link
	52006582	1	B, U						Outer
	52006592	1	J, T						Outer
8									TUBE, Tie Rod
	52005742AB	1	B, U						
		1	J, T						
9									SOCKET
	52005739	1	B, U						Drag Link, Inner
		1	J, T						Drag Link, Inner
10									FITTING PACKAGE, Grease
	83507064	1	J, T						
		1	B, U						
11									SOCKET, Tie Rod, Outer
	52005741	1	B, U						
		1	J, T						

CHEROKEE (XJ)

SERIES

H = Sport
L = SE
P = Classic
S = Limited

LINE

T = JEEP - 2WD
B = JEEP - 2WD (RHD)
J = JEEP - 4WD
U = JEEP - 4WD (RHD)

BODY

74 = 4 Dr (101.4WB)
72 = 2 Dr (101.4WB)

ENGINE

ENC = ENGINE - 2.5L 4 CYL TURBO DIESEL
EPE = ENGINE - 2.5L POWER TECH I-4 Cyl.
ERH = ENGINE - 4.0L POWER TECH I-6

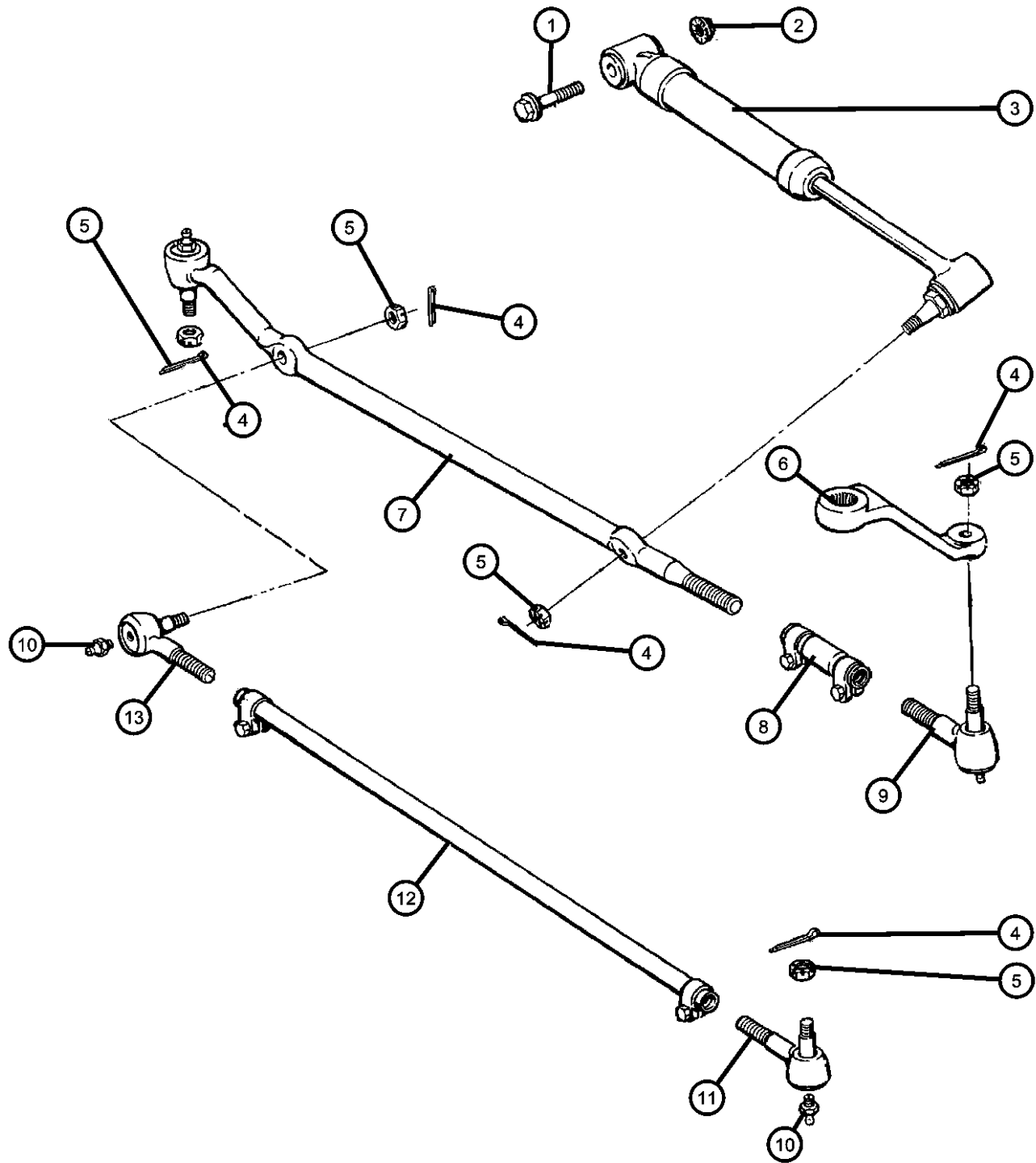
TRANSMISSION

DDD = TRANSMISSION - 5-SPEED HD MANUAL
DDQ = TRANSMISSION - 5-SPEED MANUAL
DGD = TRANSMISSION - 3-SPD. AUTOMATIC,30RH
DGK = TRANSMISSION - 4-SPD. AUTOMATIC,42RE
DGS = TRANSMISSION-4SPD. AUTO,AISIN WARNER
DGT = TRANSMISSION - 4-SPD. AUTOMATIC,46RE
DGW = TRANSMISSION - 4-SPD. AUTOMATIC,44RE
DGX = TRANSMISSION - 4-SPEED AUTOMATIC
DBB = ALL MANUAL TRANSMISSIONS
DGO = ALL AUTOMATIC TRANSMISSIONS

AR = use ase required - = Non illustrated part

2000 XJ

Linkage and Damper
Figure 19-410



ITEM	PART NUMBER	QTY	LINE	SERIES	BODY	ENGINE	TRANS	TRIM	DESCRIPTION
12	52005743AB	1	B, U						TUBE, Tie Rod
		1	J, T						
13	52005740	1	B, U						SOCKET, Tie Rod, Inner
		1	J, T						

CHEROKEE (XJ)

SERIES	LINE
H = Sport	T = JEEP - 2WD
L = SE	B = JEEP - 2WD (RHD)
P = Classic	J = JEEP - 4WD
S = Limited	U = JEEP - 4WD (RHD)

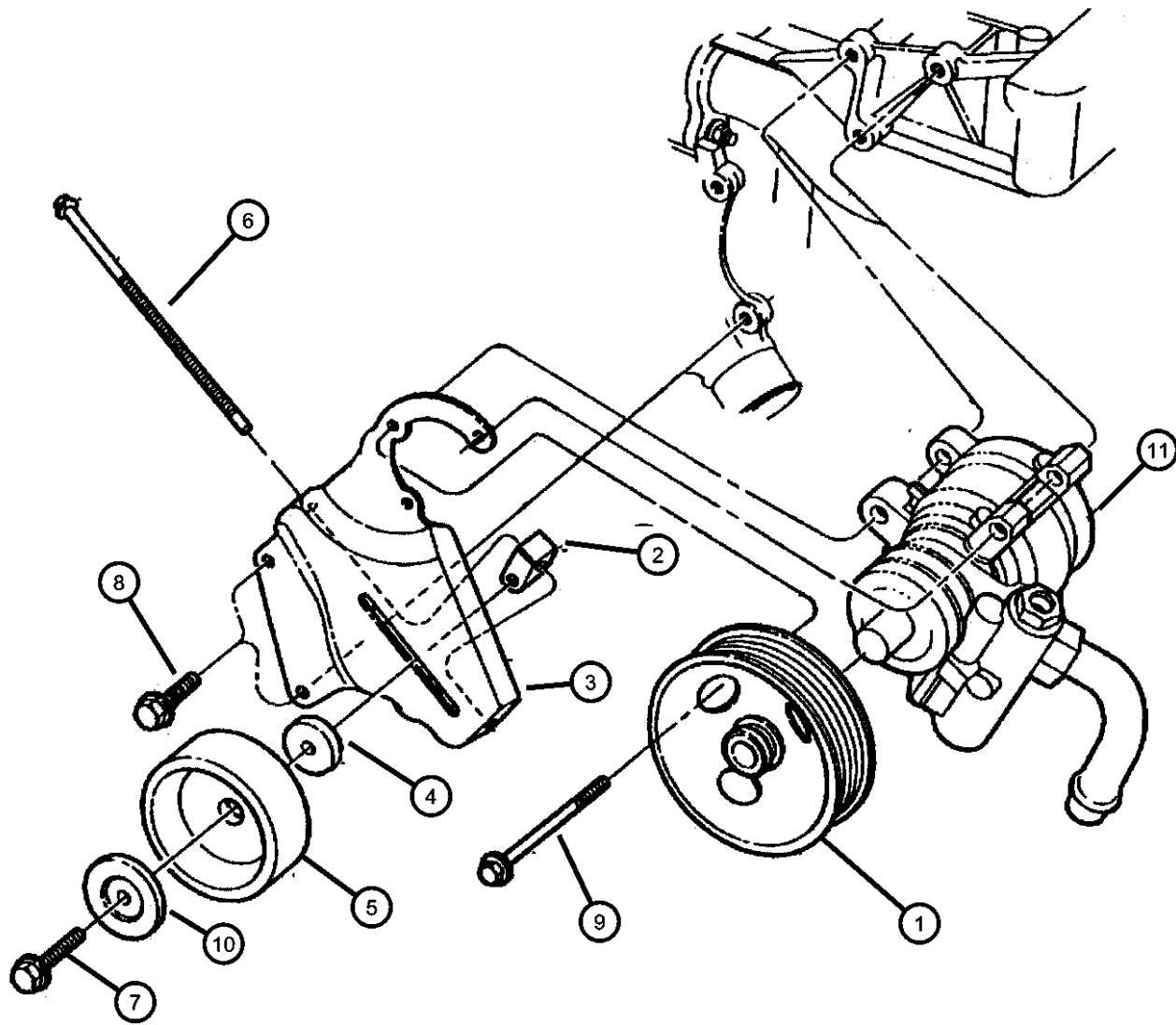
BODY
74 = 4 Dr (101.4WB)
72 = 2 Dr (101.4WB)

ENGINE
ENC = ENGINE - 2.5L 4 CYL TURBO DIESEL
EPE = ENGINE - 2.5L POWER TECH I-4 Cyl.
ERH = ENGINE - 4.0L POWER TECH I-6

TRANSMISSION
DDD = TRANSMISSION - 5-SPEED HD MANUAL
DDQ = TRANSMISSION - 5-SPEED MANUAL
DGD = TRANSMISSION - 3-SPD. AUTOMATIC,30RH
DGK = TRANSMISSION - 4-SPD. AUTOMATIC,42RE
DGS = TRANSMISSION-4SPD. AUTO,AISIN WARNER
DGT = TRANSMISSION - 4-SPD. AUTOMATIC,46RE
DGW = TRANSMISSION - 4-SPD. AUTOMATIC,44RE
DGX = TRANSMISSION - 4-SPEED AUTOMATIC
DBB = ALL MANUAL TRANSMISSIONS
DGO = ALL AUTOMATIC TRANSMISSIONS

AR = use ase required - = Non illustrated part

Pump and Mounting, with 2.5L Gas Engine
Figure 19-530



ITEM	PART NUMBER	QTY	LINE	SERIES	BODY	ENGINE	TRANS	TRIM	DESCRIPTION
------	-------------	-----	------	--------	------	--------	-------	------	-------------

NOTES; EPO= ALL 2.5L GAS ENGINES
 ERO= ALL 4.0L GAS ENGINES,
 DGO= ALL AUTOMATIC TRANSMISSIONS

1	53010258AB	1				EP0, ERO			PULLEY, Power Steering Pump
2	53010149	1				EP0			COLLAR, Tensioner Adjustment
3	53010148	1				EP0			BRACKET, Tensioner
4									SPACER, Belt Tensioner
	06503230	1	J, T			EP0, ERO			
		1	B, U			EP0			
5									PULLEY, Idler
	04792112	1	J, T			EP0, ERO			
		1	B, U			EP0			
6	06503198	1				EP0			BOLT
7	34202029	1				EP0			BOLT, Hex Flange Head, M10x1.50x50
8	00181112	1	J, T			EP0	DGO		SCREW AND WASHER, .375-16x1.00
9	06502425	2				EP0			SCREW AND WASHER, Hex Head, M8x1.25x95
10	33002201	1				EP0			BUSHING, Idler Pulley
11	52088018	1				EP0			PUMP, Power Steering
	R2088018								Mopar Remanufactured Part

CHEROKEE (XJ)

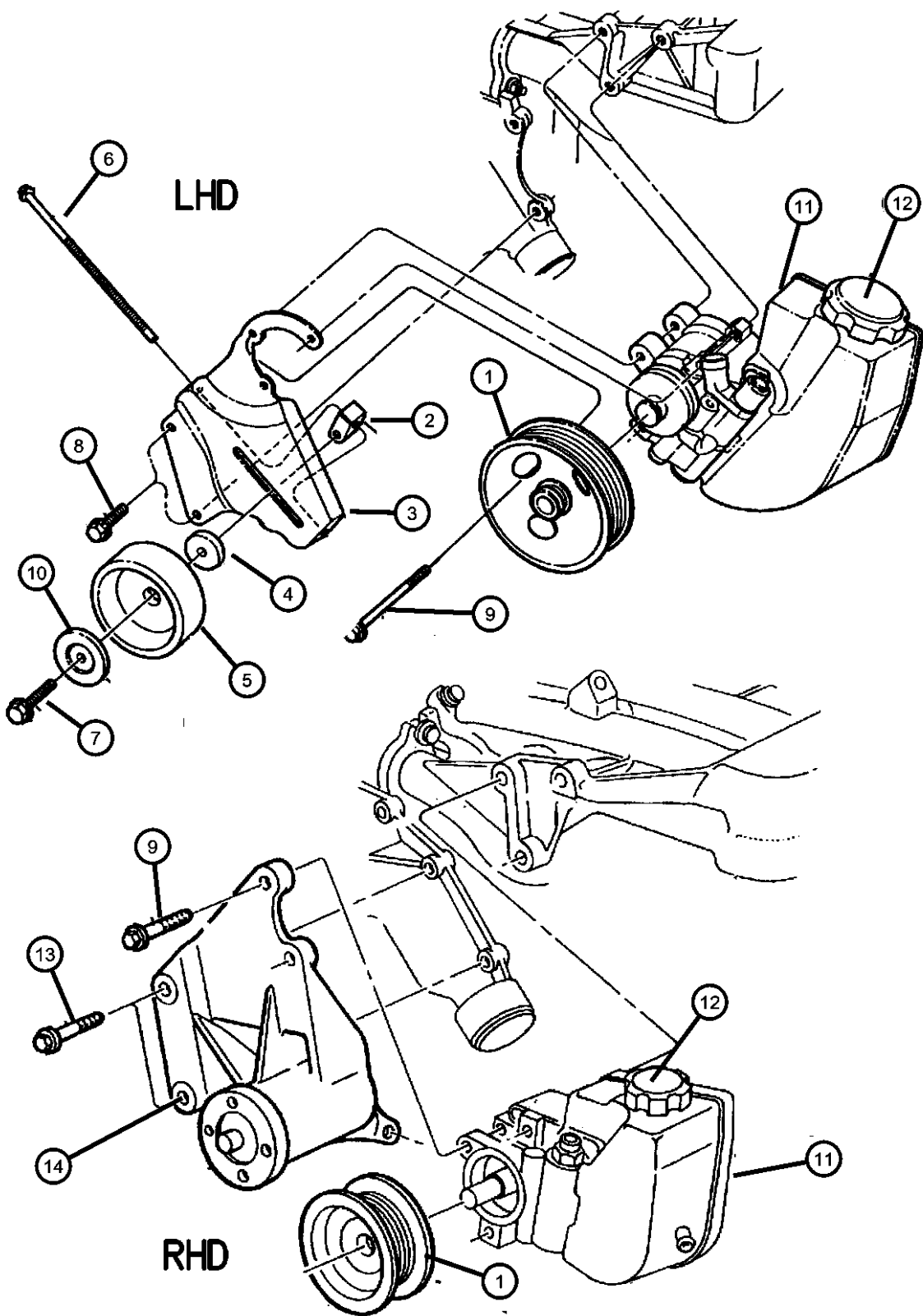
SERIES	LINE	BODY	ENGINE	TRANSMISSION
H = Sport	T = JEEP - 2WD	74 = 4 Dr (101.4WB)	ENC = ENGINE - 2.5L 4 CYL TURBO DIESEL	DDD = TRANSMISSION - 5-SPEED HD MANUAL
L = SE	B = JEEP - 2WD (RHD)	72 = 2 Dr (101.4WB)	EPE = ENGINE - 2.5L POWER TECH I-4 Cyl.	DDQ = TRANSMISSION - 5-SPEED MANUAL
P = Classic	J = JEEP - 4WD		ERH = ENGINE - 4.0L POWER TECH I-6	DGD = TRANSMISSION - 3-SPD. AUTOMATIC,30RH
S = Limited	U = JEEP - 4WD (RHD)			DGK = TRANSMISSION - 4-SPD. AUTOMATIC,42RE
				DGS = TRANSMISSION-4SPD. AUTO,AISIN WARNER
				DGT = TRANSMISSION - 4-SPD. AUTOMATIC,46RE
				DGW = TRANSMISSION - 4-SPD. AUTOMATIC,44RE
				DGX = TRANSMISSION - 4-SPEED AUTOMATIC
				DBB = ALL MANUAL TRANSMISSIONS
				DGO = ALL AUTOMATIC TRANSMISSIONS

AR = use ase required - = Non illustrated part

2000 XJ

Pump and Mounting, with 4.0L Engine

Figure 19-535



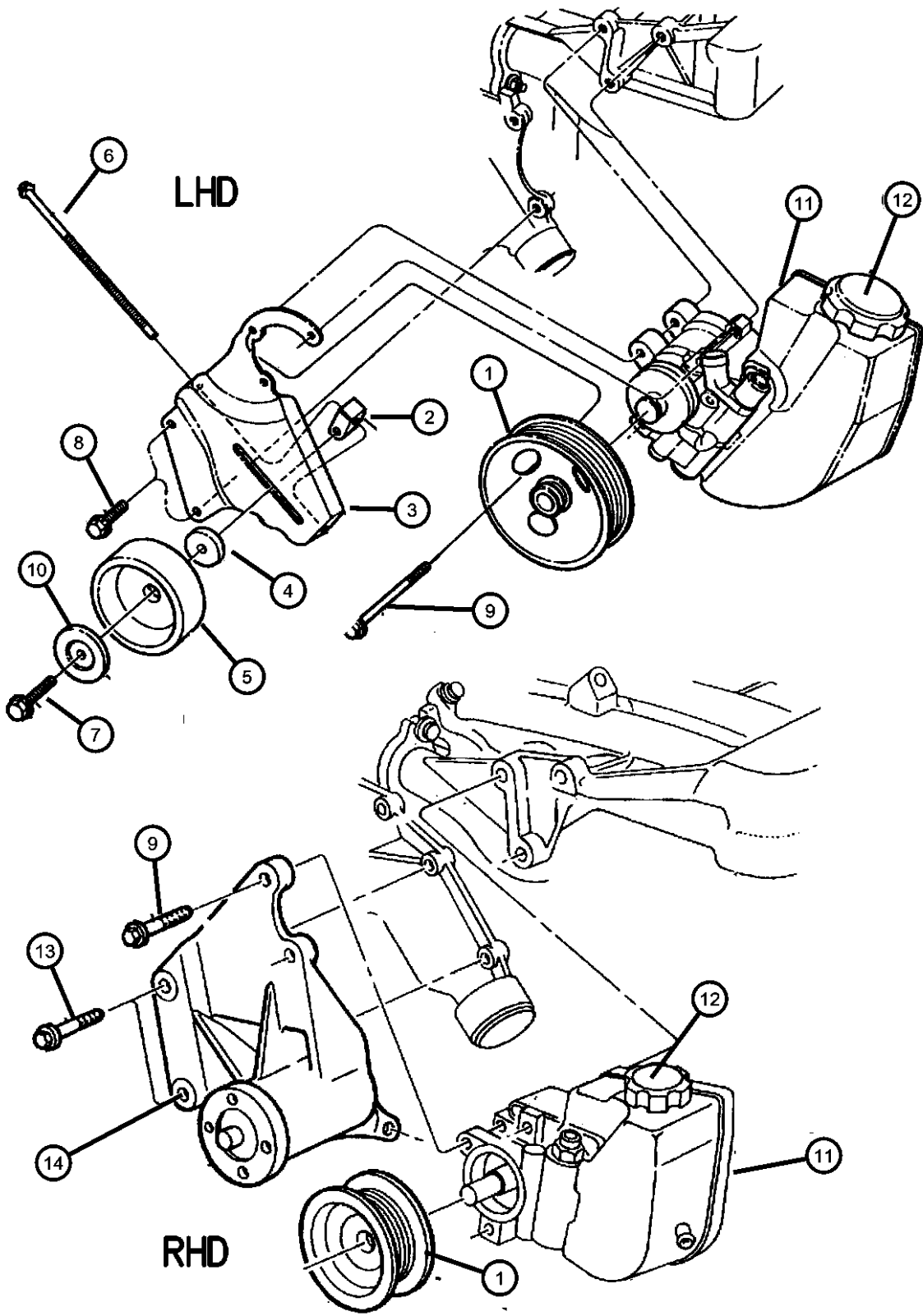
ITEM	PART NUMBER	QTY	LINE	SERIES	BODY	ENGINE	TRANS	TRIM	DESCRIPTION
NOTE; EPO= ALL 2.5L GAS ENGINES ERO= ALL 4.0L GAS ENGINES									
1	53010258AB	1				EP0, ER0			PULLEY, Power Steering Pump
2	53010149	1	J, T			ER0			COLLAR, Tensioner Adjustment
3									BRACKET, Tensioner
	53010148	1	J, T			ER0			
	53010190AC	1	B, U			ER0			
4	06503230	1	J, T			EP0, ER0			SPACER, Belt Tensioner
5									PULLEY, Idler
	04792112	1	J, T			EP0, ER0			
	53002903	1				ER0			w/ Air Cond.
	53010228AB	1	B, U			ER0			
6	06503198	1	J, T			ER0			BOLT
7	34202029	1	J, T			ER0			BOLT, Hex Flange Head, M10x1.50x50
8	34202029	1							SCREW AND WASHER, .375-16x1.00, (NOT REQUIRED)
9									SCREW AND WASHER, Hex Head, M8x1.25x95
	06502425	3	B, U			ER0			
		2	J, T			ER0			
10									BUSHING, Idler Pulley
	33002201	1	J, T			ER0			
		1	B, U			ER0			
11									PUMP, Power Steering
	52087871AD	1	J, T			ER0			
	R2087871AD								Mopar Remanufactured Part

CHEROKEE (XJ)

SERIES	LINE	BODY	ENGINE	TRANSMISSION
H = Sport	T = JEEP - 2WD	74 = 4 Dr (101.4WB)	ENC = ENGINE - 2.5L 4 CYL TURBO DIESEL	DDD = TRANSMISSION - 5-SPEED HD MANUAL
L = SE	B = JEEP - 2WD (RHD)	72 = 2 Dr (101.4WB)	EPE = ENGINE - 2.5L POWER TECH I-4 Cyl.	DDQ = TRANSMISSION - 5-SPEED MANUAL
P = Classic	J = JEEP - 4WD		ERH = ENGINE - 4.0L POWER TECH I-6	DGD = TRANSMISSION - 3-SPD. AUTOMATIC,30RH
S = Limited	U = JEEP - 4WD (RHD)			DGK = TRANSMISSION - 4-SPD. AUTOMATIC,42RE
				DGS = TRANSMISSION-4SPD. AUTO,AISIN WARNER
				DGT = TRANSMISSION - 4-SPD. AUTOMATIC,46RE
				DGW = TRANSMISSION - 4-SPD. AUTOMATIC,44RE
				DGX = TRANSMISSION - 4-SPEED AUTOMATIC
				DBB = ALL MANUAL TRANSMISSIONS
				DGO = ALL AUTOMATIC TRANSMISSIONS

AR = use ase required - = Non illustrated part

Pump and Mounting, with 4.0L Engine
Figure 19-535



ITEM	PART NUMBER	QTY	LINE	SERIES	BODY	ENGINE	TRANS	TRIM	DESCRIPTION
	52088139AC	1	B, U			ER0			
	R2088139								Mopar Remanufactured Part
12	04897287AA	1	J, T			ER0			CAP, Power Steering Reservoir
		1	B, U			ER0			
13	06025063	2	B, U			ER0			SCREW AND WASHER, .375-16x1.125
		2	J, T			ER0			
14	53010243	1	B, U			ER0			BRACKET, Power Steering Pump

CHEROKEE (XJ)

SERIES LINE
 H = Sport T = JEEP - 2WD
 L = SE B = JEEP - 2WD (RHD)
 P = Classic J = JEEP - 4WD
 S = Limited U = JEEP - 4WD (RHD)

BODY
 74 = 4 Dr (101.4WB)
 72 = 2 Dr (101.4WB)

ENGINE
 ENC = ENGINE - 2.5L 4 CYL
 TURBO DIESEL
 EPE = ENGINE - 2.5L POWER
 TECH I-4 Cyl.
 ERH = ENGINE - 4.0L
 POWER TECH I-6

TRANSMISSION
 DDD = TRANSMISSION - 5-SPEED
 HD MANUAL
 DDQ = TRANSMISSION - 5-SPEED
 MANUAL
 DGD = TRANSMISSION - 3-SPD.
 AUTOMATIC,30RH
 DGK = TRANSMISSION - 4-SPD.
 AUTOMATIC,42RE
 DGS = TRANSMISSION-4SPD.
 AUTO,AISIN WARNER
 DGT = TRANSMISSION - 4-SPD.
 AUTOMATIC,46RE
 DGW = TRANSMISSION - 4-SPD.
 AUTOMATIC,44RE
 DGX = TRANSMISSION - 4-SPEED
 AUTOMATIC
 DBB = ALL MANUAL
 TRANSMISSIONS
 DGO = ALL AUTOMATIC
 TRANSMISSIONS

AR = use ase required - = Non illustrated part

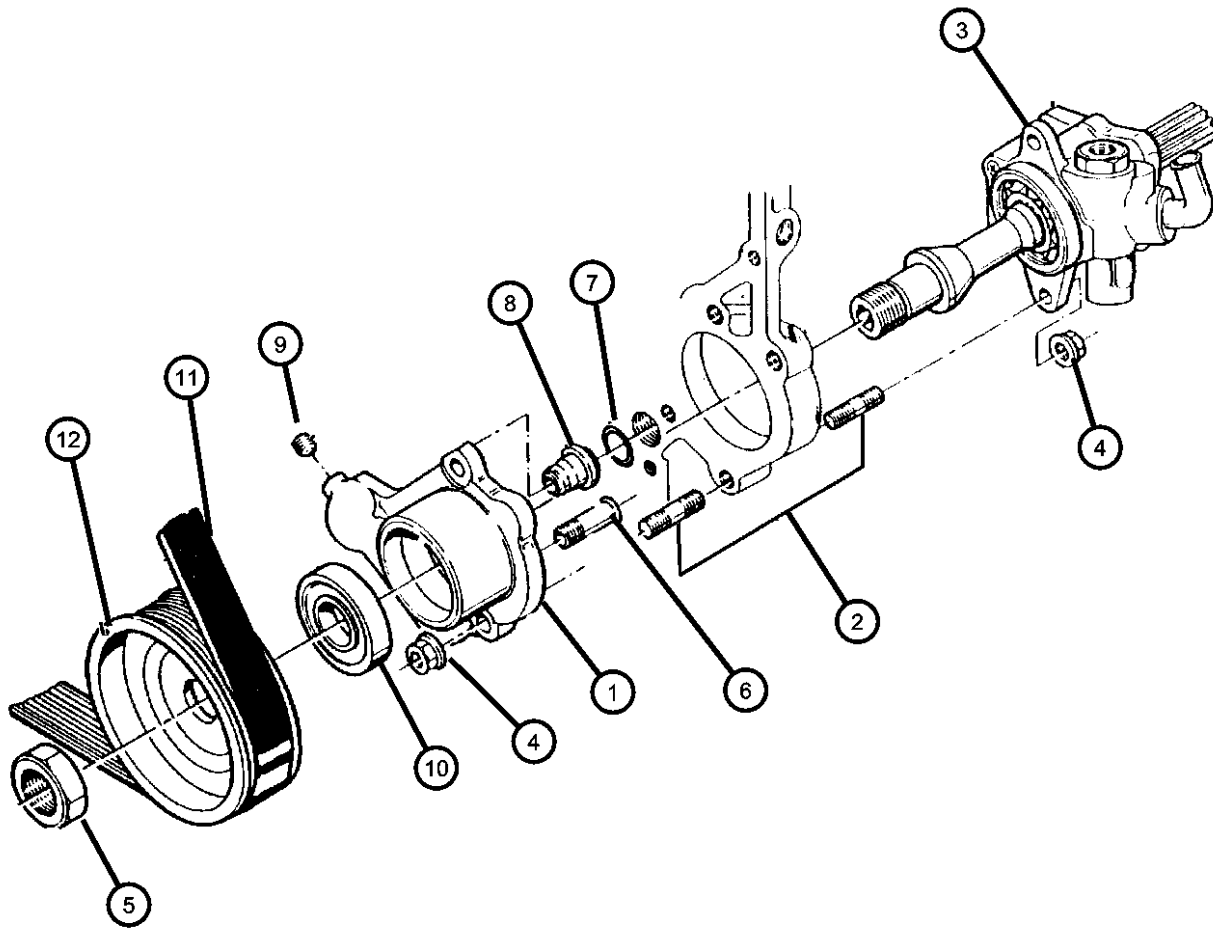
2000 XJ

**Pump and Mounting, with 2.5L Diesel Engine
Figure 19-545**

ITEM	PART NUMBER	QTY	LINE	SERIES	BODY	ENGINE	TRANS	TRIM	DESCRIPTION
------	-------------	-----	------	--------	------	--------	-------	------	-------------

NOTES; ENO= ALL 2.5L DIESEL ENGINES

1	04883461AA	1				ENO			SUPPORT, Power Steering Pump
2	04723331	5				ENO			STUD, M8x25
3	04883460AA	1				ENO			PUMP, Power Steering
4	04883460AA	1							NUT, Hex Lock, M8, (NOT SERVICED)
5	04883460AA	1							NUT, Power Steering Pump Pulley, (NOT SERVICED)
6	05003548AA	1				ENO			PIPE, Vacuum Pump
7	04723334	1				ENO			GASKET, Valve
8	04723335	1				ENO			VALVE, Vacuum Pump
9	04883425AA	1				ENO			PLUG
10	04723339	1				ENO			BEARING, Power Steering Pump Shaft
11	04883445AA	1				ENO			BELT, Accessory Drive
12	04796034	1				ENO			PULLEY, Power Steering Pump



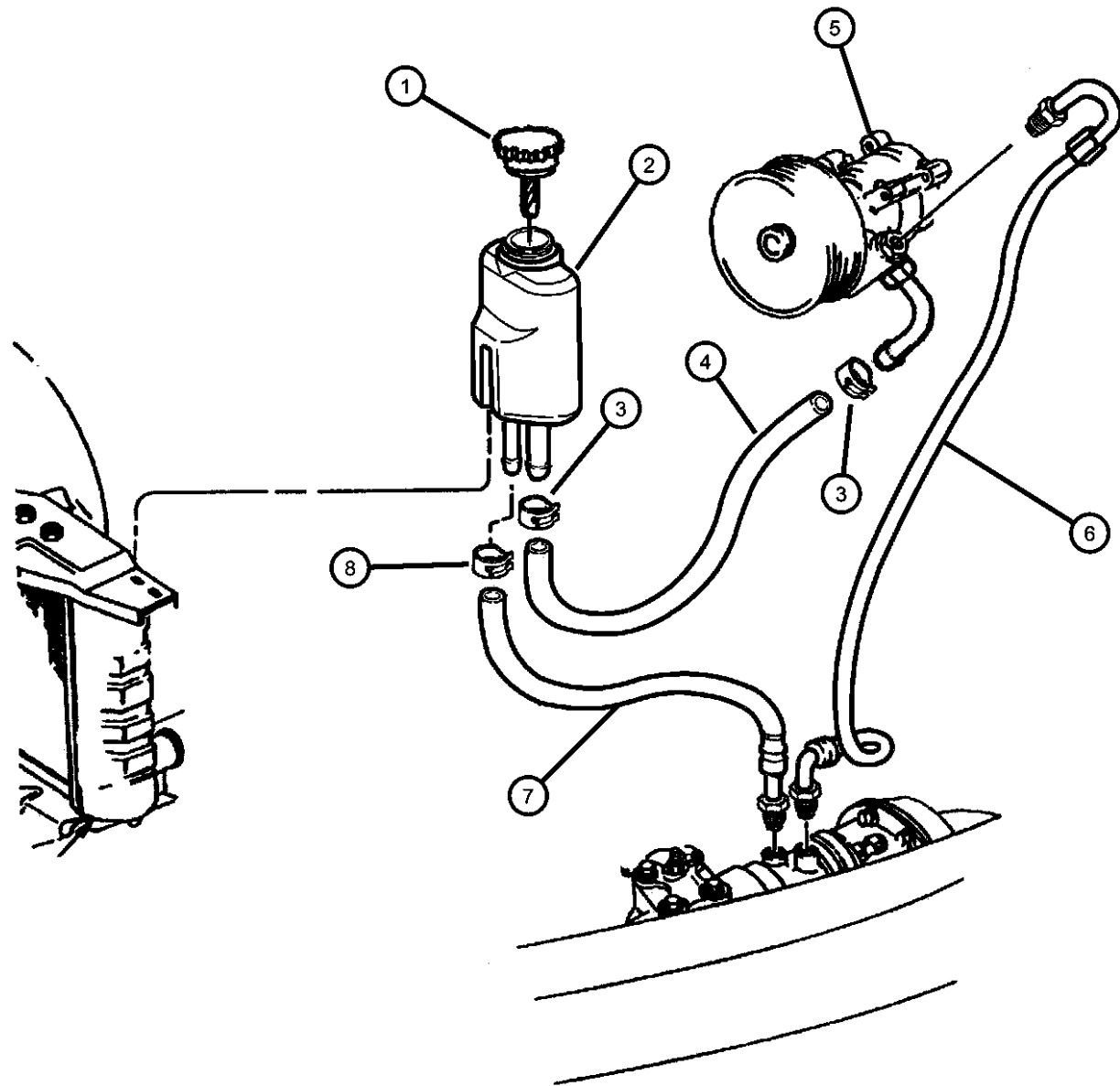
CHEROKEE (XJ)

SERIES	LINE	BODY	ENGINE	TRANSMISSION
H = Sport	T = JEEP - 2WD	74 = 4 Dr (101.4WB)	ENC = ENGINE - 2.5L 4 CYL TURBO DIESEL	DDD = TRANSMISSION - 5-SPEED HD MANUAL
L = SE	B = JEEP - 2WD (RHD)	72 = 2 Dr (101.4WB)	EPE = ENGINE - 2.5L POWER TECH I-4 Cyl.	DDQ = TRANSMISSION - 5-SPEED MANUAL
P = Classic	J = JEEP - 4WD		ERH = ENGINE - 4.0L POWER TECH I-6	DGD = TRANSMISSION - 3-SPD. AUTOMATIC,30RH
S = Limited	U = JEEP - 4WD (RHD)			DGK = TRANSMISSION - 4-SPD. AUTOMATIC,42RE
				DGS = TRANSMISSION-4SPD. AUTO,AISIN WARNER
				DGT = TRANSMISSION - 4-SPD. AUTOMATIC,46RE
				DGW = TRANSMISSION - 4-SPD. AUTOMATIC,44RE
				DGX = TRANSMISSION - 4-SPEED AUTOMATIC
				DBB = ALL MANUAL TRANSMISSIONS
				DGO = ALL AUTOMATIC TRANSMISSIONS

AR = use ase required - = Non illustrated part

2000 XJ

Hoses and Reservoir, 2.5L Gas Engine, Left Hand Drive
Figure 19-715



ITEM	PART NUMBER	QTY	LINE	SERIES	BODY	ENGINE	TRANS	TRIM	DESCRIPTION
NOTE; ENC= 2.5L TURBO DIESEL ENGINE EPO= ALL 2.5L GAS ENGINES, DGO= ALL AUTOMATIC TRANSMISSIONS									
1	04694766	1				ENC, EPO			CAP, Power Steering Pump
2	52087713AC	1				ENC, EPO			RESERVOIR, Power Steering Pump
3	02448761	2	J, T			EPO			CLAMP, Hose
4	52088541	1				EPO			HOSE, Power Steering Reservoir
5	52088018	1				EPO			PUMP, Power Steering
	R2088018								Mopar Remanufactured Part
6	52088387AC	1	J, T			EPE			HOSE, Power Steering Pressure
7	52003135AB	1	J, T			EPO			HOSE, Power Steering Return
8	02448770	1	J, T			EPO	DGO		CLAMP, Hose

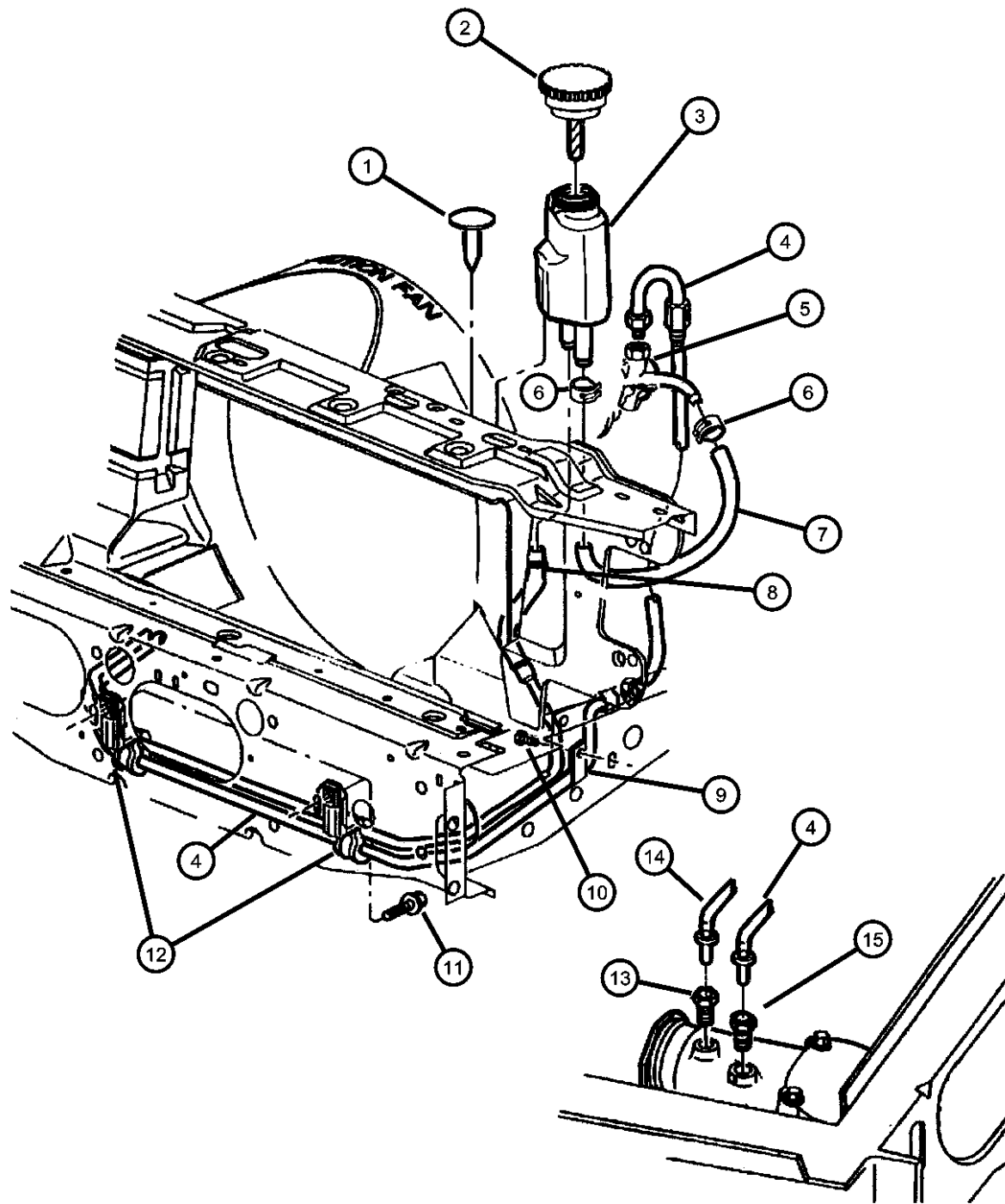
CHEROKEE (XJ)

SERIES	LINE	BODY	ENGINE	TRANSMISSION
H = Sport	T = JEEP - 2WD	74 = 4 Dr (101.4WB)	ENC = ENGINE - 2.5L 4 CYL TURBO DIESEL	DDD = TRANSMISSION - 5-SPEED HD MANUAL
L = SE	B = JEEP - 2WD (RHD)	72 = 2 Dr (101.4WB)	EPE = ENGINE - 2.5L POWER TECH I-4 Cyl.	DDQ = TRANSMISSION - 5-SPEED MANUAL
P = Classic	J = JEEP - 4WD		ERH = ENGINE - 4.0L POWER TECH I-6	DGD = TRANSMISSION - 3-SPD. AUTOMATIC,30RH
S = Limited	U = JEEP - 4WD (RHD)			DGK = TRANSMISSION - 4-SPD. AUTOMATIC,42RE
				DGS = TRANSMISSION-4SPD. AUTO,AISIN WARNER
				DGT = TRANSMISSION - 4-SPD. AUTOMATIC,46RE
				DGW = TRANSMISSION - 4-SPD. AUTOMATIC,44RE
				DGX = TRANSMISSION - 4-SPEED AUTOMATIC
				DBB = ALL MANUAL TRANSMISSIONS
				DGO = ALL AUTOMATIC TRANSMISSIONS

AR = use ase required - = Non illustrated part

2000 XJ

Hoses and Reservoir, 2.5L Gas Engine, Right Hand Drive
Figure 19-725



ITEM	PART NUMBER	QTY	LINE	SERIES	BODY	ENGINE	TRANS	TRIM	DESCRIPTION
------	-------------	-----	------	--------	------	--------	-------	------	-------------

NOTE; ENC= 2.5L TURBO DIESEL ENGINE
EPE= 2.5L POWER-TECH I-4
EPO= ALL 2.5L GAS ENGINES

1	52088924AA	1				EPO			RETAINER
2	04694766	1				ENC, EPO			CAP, Power Steering Pump
3	52087713AC	1				ENC, EPO			RESERVOIR, Power Steering Pump
4	52088388AC	1	B, U			EPE			HOSE, Power Steering Pressure
5	52088018	1				EPO			PUMP, Power Steering
	R2088018								Mopar Remanufactured Part
6	02448761	2	B, U			EPO			CLAMP, Hose
7	52088541	1				EPO			HOSE, Power Steering Reservoir
8	02448761	2	B, U			EPO			CLAMP, Hose
9	34202697	1	B, U			EPO			CLIP, Oil Cooler Tube
10	00154236	1	B, U			EPO			SCREW, Stake, .19-24
11	06503270	2	B, U			EPO			SCREW, Hex Head, M8x1.25x30
12	04333457	2	B, U			EPO			BRACKET, Power Steering Hose
13	52088116	1	B, U			ENC, EPE			FITTING, Power Steering, Quick Connect
14	52088166AD	1	B, U			EPO			HOSE, Power Steering Return
15	52037556	1	B, U			ENC, EPE			FITTING, Power Steering, Quick Connect

CHEROKEE (XJ)

SERIES	LINE
H = Sport	T = JEEP - 2WD
L = SE	B = JEEP - 2WD (RHD)
P = Classic	J = JEEP - 4WD
S = Limited	U = JEEP - 4WD (RHD)

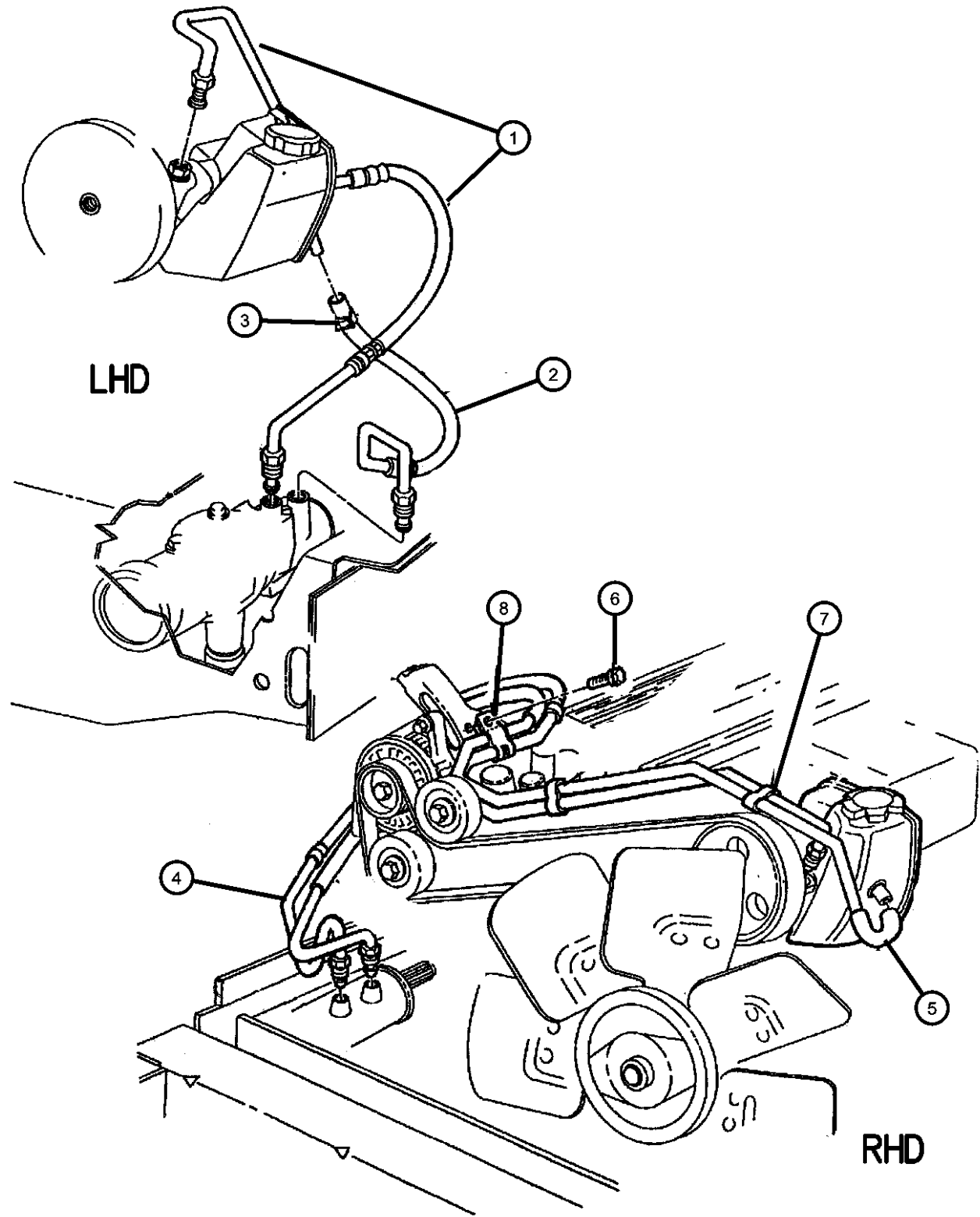
BODY
74 = 4 Dr (101.4WB)
72 = 2 Dr (101.4WB)

ENGINE	TRANSMISSION
ENC = ENGINE - 2.5L 4 CYL TURBO DIESEL	DDD = TRANSMISSION - 5-SPEED HD MANUAL
EPE = ENGINE - 2.5L POWER TECH I-4 Cyl.	DDQ = TRANSMISSION - 5-SPEED MANUAL
ERH = ENGINE - 4.0L POWER TECH I-6	DGD = TRANSMISSION - 3-SPD. AUTOMATIC,30RH
	DGK = TRANSMISSION - 4-SPD. AUTOMATIC,42RE
	DGS = TRANSMISSION-4SPD. AUTO,AISIN WARNER
	DGT = TRANSMISSION - 4-SPD. AUTOMATIC,46RE
	DGW = TRANSMISSION - 4-SPD. AUTOMATIC,44RE
	DGX = TRANSMISSION - 4-SPEED AUTOMATIC
	DBB = ALL MANUAL TRANSMISSIONS
	DGO = ALL AUTOMATIC TRANSMISSIONS

AR = use ase required - = Non illustrated part

2000 XJ

Hoses and Reservoir, 4.0L Gas Engine
Figure 19-740



ITEM	PART NUMBER	QTY	LINE	SERIES	BODY	ENGINE	TRANS	TRIM	DESCRIPTION
------	-------------	-----	------	--------	------	--------	-------	------	-------------

NOTE; ERO= ALL 4.0L GAS ENGINES
DGO= ALL AUTOMATIC TRANSMISSIONS

1	52088489	1	J, T			ERO			HOSE, Power Steering Pressure
2	52037645	1	J, T			ERO			HOSE, Power Steering Return
3	02448770	2	J, T			ERO	DGO		CLAMP, Hose
4	52088021AB	1	B, U			ERO			HOSE, Power Steering Pressure
5	52087975AB	1	B, U			ERO			HOSE, Power Steering Return
6	06502946	1	B, U			ERO			SCREW, Heat Shield, M6x1.00x13.00
7	52087977	1	B, U			ERO			CLIP, Power Steering Hose
8	52087977	1	B, U			ERO			CLIP, Power Steering Hose

CHEROKEE (XJ)

SERIES	LINE
H = Sport	T = JEEP - 2WD
L = SE	B = JEEP - 2WD (RHD)
P = Classic	J = JEEP - 4WD
S = Limited	U = JEEP - 4WD (RHD)

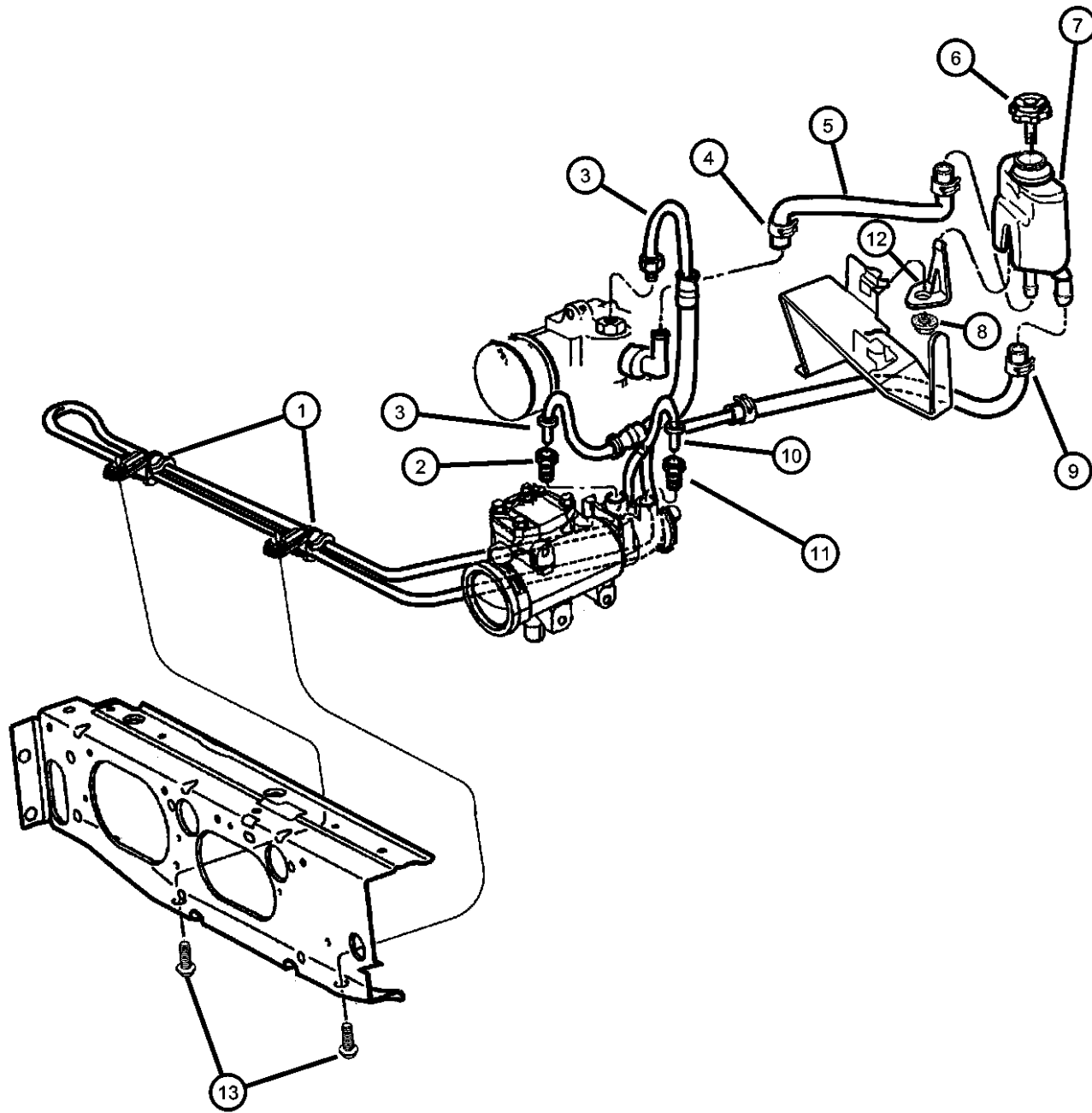
BODY
74 = 4 Dr (101.4WB)
72 = 2 Dr (101.4WB)

ENGINE	TRANSMISSION
ENC = ENGINE - 2.5L 4 CYL TURBO DIESEL	DDD = TRANSMISSION - 5-SPEED HD MANUAL
EPE = ENGINE - 2.5L POWER TECH I-4 Cyl.	DDQ = TRANSMISSION - 5-SPEED MANUAL
ERH = ENGINE - 4.0L POWER TECH I-6	DGD = TRANSMISSION - 3-SPD. AUTOMATIC,30RH
	DGK = TRANSMISSION - 4-SPD. AUTOMATIC,42RE
	DGS = TRANSMISSION-4SPD. AUTO,AISIN WARNER
	DGT = TRANSMISSION - 4-SPD. AUTOMATIC,46RE
	DGW = TRANSMISSION - 4-SPD. AUTOMATIC,44RE
	DGX = TRANSMISSION - 4-SPEED AUTOMATIC
	DBB = ALL MANUAL TRANSMISSIONS
	DGO = ALL AUTOMATIC TRANSMISSIONS

AR = use ase required - = Non illustrated part

2000 XJ

Hoses and Reservoir, 2.5L Diesel Engine, Left Hand Drive
Figure 19-745



ITEM	PART NUMBER	QTY	LINE	SERIES	BODY	ENGINE	TRANS	TRIM	DESCRIPTION
------	-------------	-----	------	--------	------	--------	-------	------	-------------

NOTE; ENC= 2.5L TURBO DIESEL ENGINE
EPO= ALL 2.5L AGS ENGINES

1	52088109	2	J, T			ENC			BRACKET, Power Steering Hose
2	52037556	1	J, T			ENC			FITTING, Power Steering, Quick Connect
3	52087783AC	1	J, T			ENC			HOSE, Power Steering Pressure
4	52087783AC	1							CLAMP, Power Steering Hose, Serviced in Hose, (NOT SERVICED)
5	52088216AC	1				ENC			HOSE, Pump Supply
6	04694766	1				ENC, EPO			CAP, Power Steering Pump
7	52087713AC	1				ENC, EPO			RESERVOIR, Power Steering Pump
8	06100516	3				ENC			NUT, Hex Flange Lock, M6 Phosphate
9	02448761	1	J, T			ENC			CLAMP, Hose
10	52088184AC	1	J, T			ENC			HOSE, Power Steering Return
11	52037556	1	J, T			ENC			FITTING, Power Steering, Quick Connect
12	52087766	1				ENC			BRACKET, Power Steering Reservoir
13	06502280	2	J, T			ENC			SCREW AND WASHER, Hex Head Special Point, M8x1.25x17

CHEROKEE (XJ)

SERIES	LINE
H = Sport	T = JEEP - 2WD
L = SE	B = JEEP - 2WD (RHD)
P = Classic	J = JEEP - 4WD
S = Limited	U = JEEP - 4WD (RHD)

BODY
74 = 4 Dr (101.4WB)
72 = 2 Dr (101.4WB)

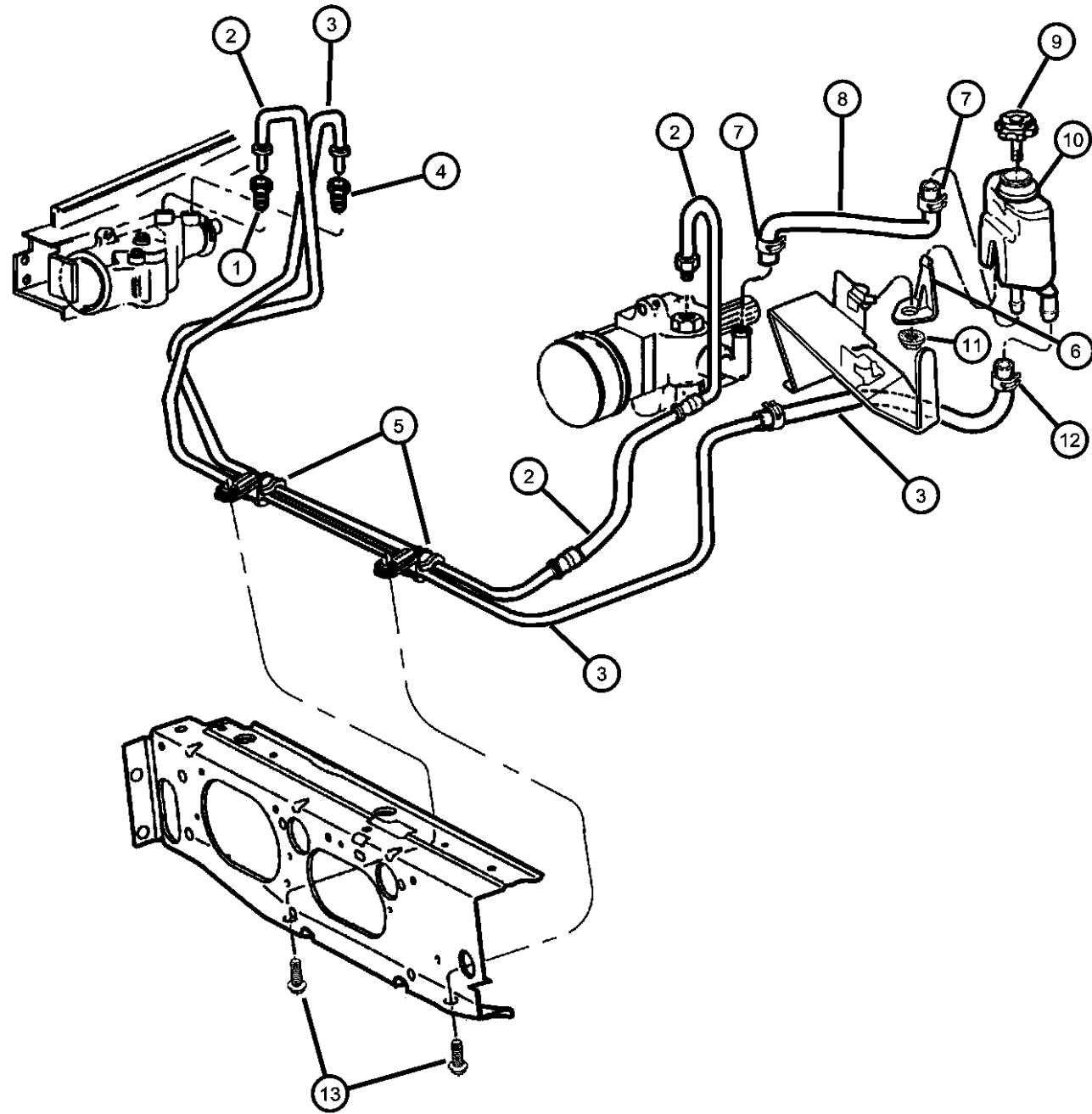
ENGINE
ENC = ENGINE - 2.5L 4 CYL TURBO DIESEL
EPE = ENGINE - 2.5L POWER TECH I-4 Cyl.
ERH = ENGINE - 4.0L POWER TECH I-6

TRANSMISSION
DDD = TRANSMISSION - 5-SPEED HD MANUAL
DDQ = TRANSMISSION - 5-SPEED MANUAL
DGD = TRANSMISSION - 3-SPD. AUTOMATIC,30RH
DGK = TRANSMISSION - 4-SPD. AUTOMATIC,42RE
DGS = TRANSMISSION-4SPD. AUTO,AISIN WARNER
DGT = TRANSMISSION - 4-SPD. AUTOMATIC,46RE
DGW = TRANSMISSION - 4-SPD. AUTOMATIC,44RE
DGX = TRANSMISSION - 4-SPEED AUTOMATIC
DBB = ALL MANUAL TRANSMISSIONS
DGO = ALL AUTOMATIC TRANSMISSIONS

AR = use ase required - = Non illustrated part

2000 XJ

Hoses and Reservoir, 2.5L Diesel Engine, Right Hand Drive
Figure 19-755



ITEM	PART NUMBER	QTY	LINE	SERIES	BODY	ENGINE	TRANS	TRIM	DESCRIPTION
------	-------------	-----	------	--------	------	--------	-------	------	-------------

NOTE; ENC= 2.5L TURBO DIESEL ENGINE
EPO= ALL 2.5L GAS ENGINES
DGO= ALL AUTOMATIC TRANSMISSIONS

1	52037556	1	B, U			ENC, EPE			FITTING, Power Steering, Quick ConnectPressure
2	52087886	1	B, U			ENC			HOSE, Power Steering Pressure
3	52087892AB	1	B, U			ENC			HOSE, Power Steering Return
4	52088116	1	B, U			ENC, EPE			FITTING, Power Steering, Quick ConnectReturn
5	52088109	1	B, U			ENC			BRACKET, Power Steering Hose
6	52087766	1				ENC			BRACKET, Power Steering Reservoir
7	52087766	1							CLAMP, Power Steering Hose, Serviced in Hose, (NOT SERVICED)
8	52088216AC	1				ENC			HOSE, Pump Supply
9	04694766	1				ENC, EPO			CAP, Power Steering Pump
10	52087713AC	1				ENC, EPO			RESERVOIR, Power Steering Pump
11	06100516	3				ENC			NUT, Hex Flange Lock, M6 Phosphate
12	02448761	1	B, U			ENC			CLAMP, Hose
13	06501648	4					DGO		SCREW, Hex Flange Head, M8x1.25x25.00

CHEROKEE (XJ)

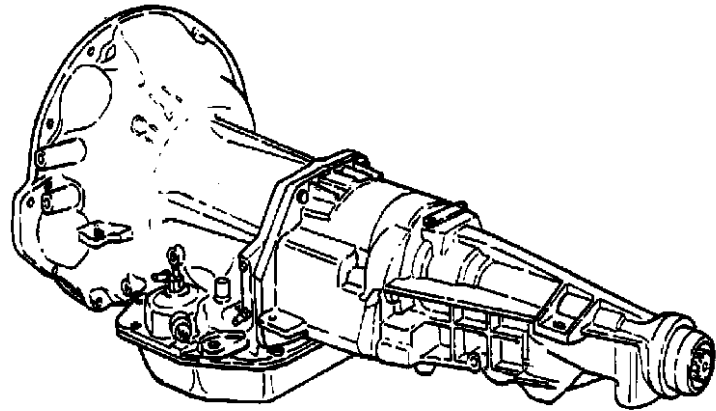
SERIES	LINE	BODY	ENGINE	TRANSMISSION
H = Sport	T = JEEP - 2WD	74 = 4 Dr (101.4WB)	ENC = ENGINE - 2.5L 4 CYL TURBO DIESEL	DDD = TRANSMISSION - 5-SPEED HD MANUAL
L = SE	B = JEEP - 2WD (RHD)	72 = 2 Dr (101.4WB)	EPE = ENGINE - 2.5L POWER TECH I-4 Cyl.	DDQ = TRANSMISSION - 5-SPEED MANUAL
P = Classic	J = JEEP - 4WD		ERH = ENGINE - 4.0L POWER TECH I-6	DGD = TRANSMISSION - 3-SPD. AUTOMATIC,30RH
S = Limited	U = JEEP - 4WD (RHD)			DGK = TRANSMISSION - 4-SPD. AUTOMATIC,42RE
				DGS = TRANSMISSION-4SPD. AUTO,AISIN WARNER
				DGT = TRANSMISSION - 4-SPD. AUTOMATIC,46RE
				DGW = TRANSMISSION - 4-SPD. AUTOMATIC,44RE
				DGX = TRANSMISSION - 4-SPEED AUTOMATIC
				DBB = ALL MANUAL TRANSMISSIONS
				DGO = ALL AUTOMATIC TRANSMISSIONS

AR = use ase required - = Non illustrated part

2000 XJ

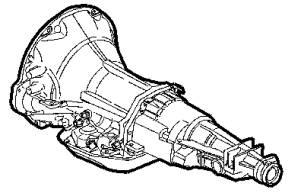
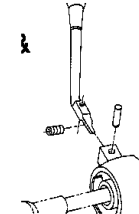
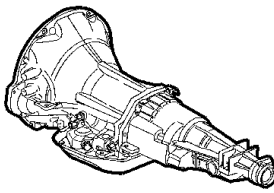

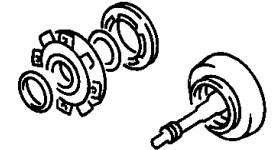
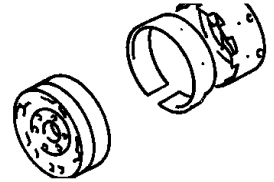
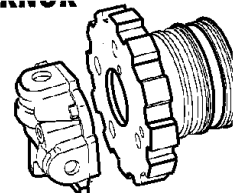
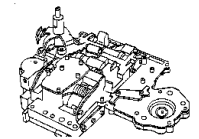
Group - 30RH

Automatic Transmission 3 Speed



Group - 30RH Automatic Transmission 3 Speed

Illustration Title	Group-Fig. No.
Transmission Assembly	
Transmission 30RH (DGD)	Fig. 30RH - 110
Case and Extension	
Case and Related Parts 30RH (DGD)	Fig. 30RH - 210
Oil Pump	
Oil Pump 30RH (DGD)	Fig. 30RH - 310
Gear Train	
Gear 30RH (DGD)	Fig. 30RH - 410
Gear 30RH (DGD)	Fig. 30RH - 420
Bands, Reverse and Kickdown	
Bands 30RH (DGD)	Fig. 30RH - 510
Governor	
Governor 30RH (DGD)	Fig. 30RH - 610
Valve Body	
Valve Body 30 RH (DGD)	Fig. 30RH - 710
Servos 30RH (DGD)	Fig. 30RH - 720
Parking Sprag 30RH (DGD)	Fig. 30RH - 730
Gearshift Controls	
Gearshift Controls 30RH (DGD)	Fig. 30RH - 1210

<p>30RH-100 Transmission Assembly</p> 	<p>30RH-1200 Gearshift Controls</p> 	<p>30RH-200 Case and Extension</p> 	<p>30RH-300 Oil Pump</p> 
<p>30RH-400 Gear Train</p> 	<p>30RH-500 Bands, Reverse and Kickdown</p> 	<p>30RH-600 Governor</p> 	<p>30RH-700 Valve Body</p> 

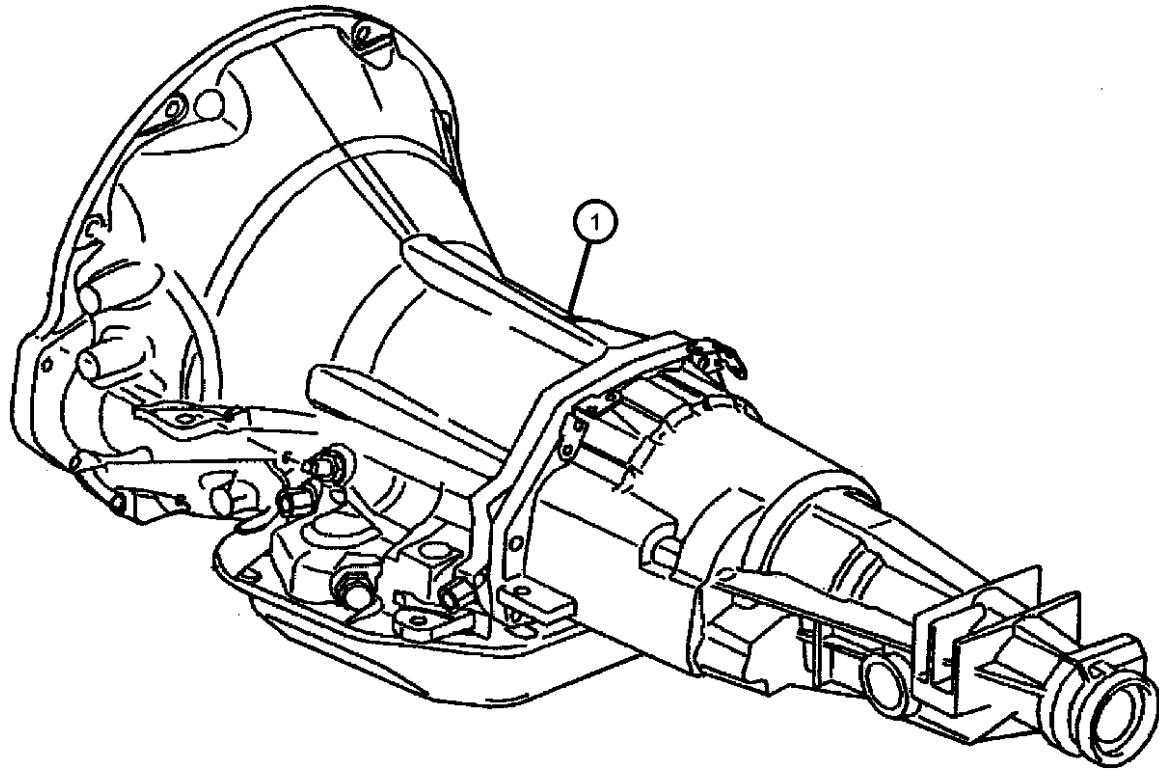
Transmission 30RH (DGD)
Figure 30RH-110

ITEM	PART NUMBER	QTY	LINE	SERIES	BODY	ENGINE	TRANS	TRIM	DESCRIPTION
------	-------------	-----	------	--------	------	--------	-------	------	-------------

Notes:

DGD = 30 RH 3 Speed Automatic Transmission

1	05015268AA	1	B, T				DGD		TRANSMISSION PACKAGE, 52119830AA (Package Contains 52119830AA Transmission, K4736388AA Converter, K6501099 Bolts)
---	------------	---	------	--	--	--	-----	--	---



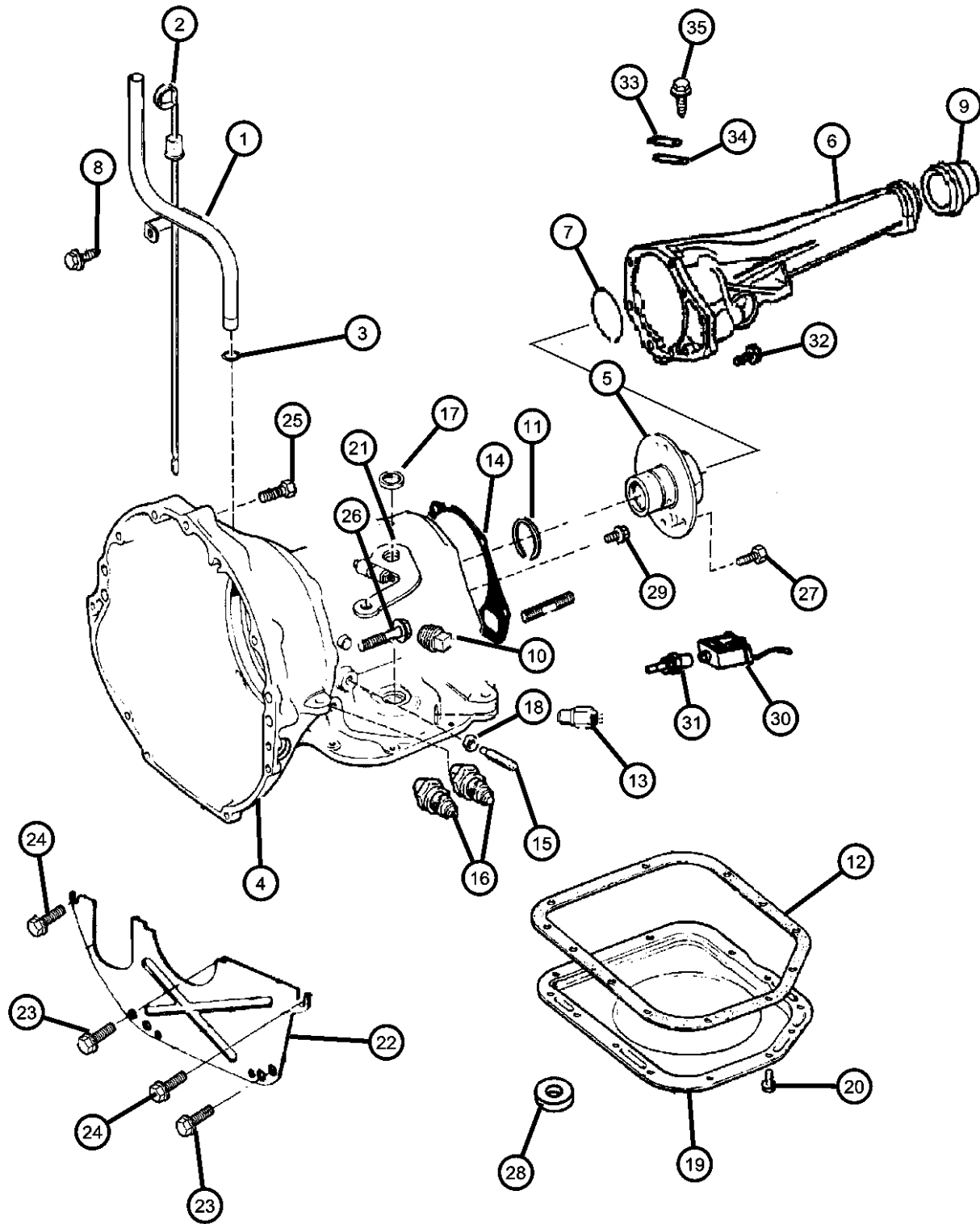
CHEROKEE (XJ)

SERIES	LINE	BODY	ENGINE	TRANSMISSION
H = Sport	T = JEEP - 2WD	74 = 4 Dr (101.4WB)	ENC = ENGINE - 2.5L 4 CYL TURBO DIESEL	DDD = TRANSMISSION - 5-SPEED HD MANUAL
L = SE	B = JEEP - 2WD (RHD)	72 = 2 Dr (101.4WB)	EPE = ENGINE - 2.5L POWER TECH I-4 Cyl.	DDQ = TRANSMISSION - 5-SPEED MANUAL
P = Classic	J = JEEP - 4WD		ERH = ENGINE - 4.0L POWER TECH I-6	DGD = TRANSMISSION - 3-SPD. AUTOMATIC,30RH
S = Limited	U = JEEP - 4WD (RHD)			DGK = TRANSMISSION - 4-SPD. AUTOMATIC,42RE
				DGS = TRANSMISSION-4SPD. AUTO,AISIN WARNER
				DGT = TRANSMISSION - 4-SPD. AUTOMATIC,46RE
				DGW = TRANSMISSION - 4-SPD. AUTOMATIC,44RE
				DGX = TRANSMISSION - 4-SPEED AUTOMATIC
				DBB = ALL MANUAL TRANSMISSIONS
				DGO = ALL AUTOMATIC TRANSMISSIONS

AR = use ase required - = Non illustrated part

2000 XJ

Case and Related Parts 30RH (DGD)
Figure 30RH-210



ITEM	PART NUMBER	QTY	LINE	SERIES	BODY	ENGINE	TRANS	TRIM	DESCRIPTION
1	52104244AB	1				EP0	DG0		TUBE, Transmission Oil Filler
2	52104278AB	1				EP0	DG0		INDICATOR, Transmission Fluid Level
3	52118629AB	1				EP0	DG0		SEAL, Oil Filler Tube
4	52118593	1	B, T				DGD		CASE, Transmission
5	04431433	1	B, T				DGD		SUPPORT, Output Shaft
6	52118835AA	1	B, T				DGD		CASE, Transmission Rear
7	02400185	1	B, T				DGD		SNAP RING
8	J4001701	AR							SCREW, Hex Self Tapping, .19-16x.50
9	04638941	1	B, T				DGD		SEAL, Extension
10	06028095	1	B, T				DGD		PLUG, Pressure Check
11	06033480	1	B, T				DGD		SNAP RING, Reverse Drum
12	04295875	1	B, T				DGD		GASKET, Oil Pan
13	56028181AB	1	B, T				DGD		SWITCH, Neutral, Safety, Back Up
14	02466954	1	B, T				DGD		GASKET, Transmission Case
15	06036141AA	1	B, T				DGD		SCREW
16	06033879	2	B, T				DGD		NUT, Inverted Flare, .62-18
17	04505098	1	B, T				DGD		SEAL, Manual Shift Valve, 1.25 OD
18	04505098	1							NUT, (NOT SERVICED)
19	52118802	1	B, T				DGD		PAN, Transmission Oil
20	04723548	14	B, T				DGD		SCREW AND WASHER, Hex Head, .312-18x.625
21	53003090	1	J, T			EP0	DGD		LEVER, Selector

Notes:

DG0 = All Automatic Transmissions
DGD = 30 RH 3 Speed Automatic Transmission
EP0 = All 2.5L 4 Cylinder Gas Engines

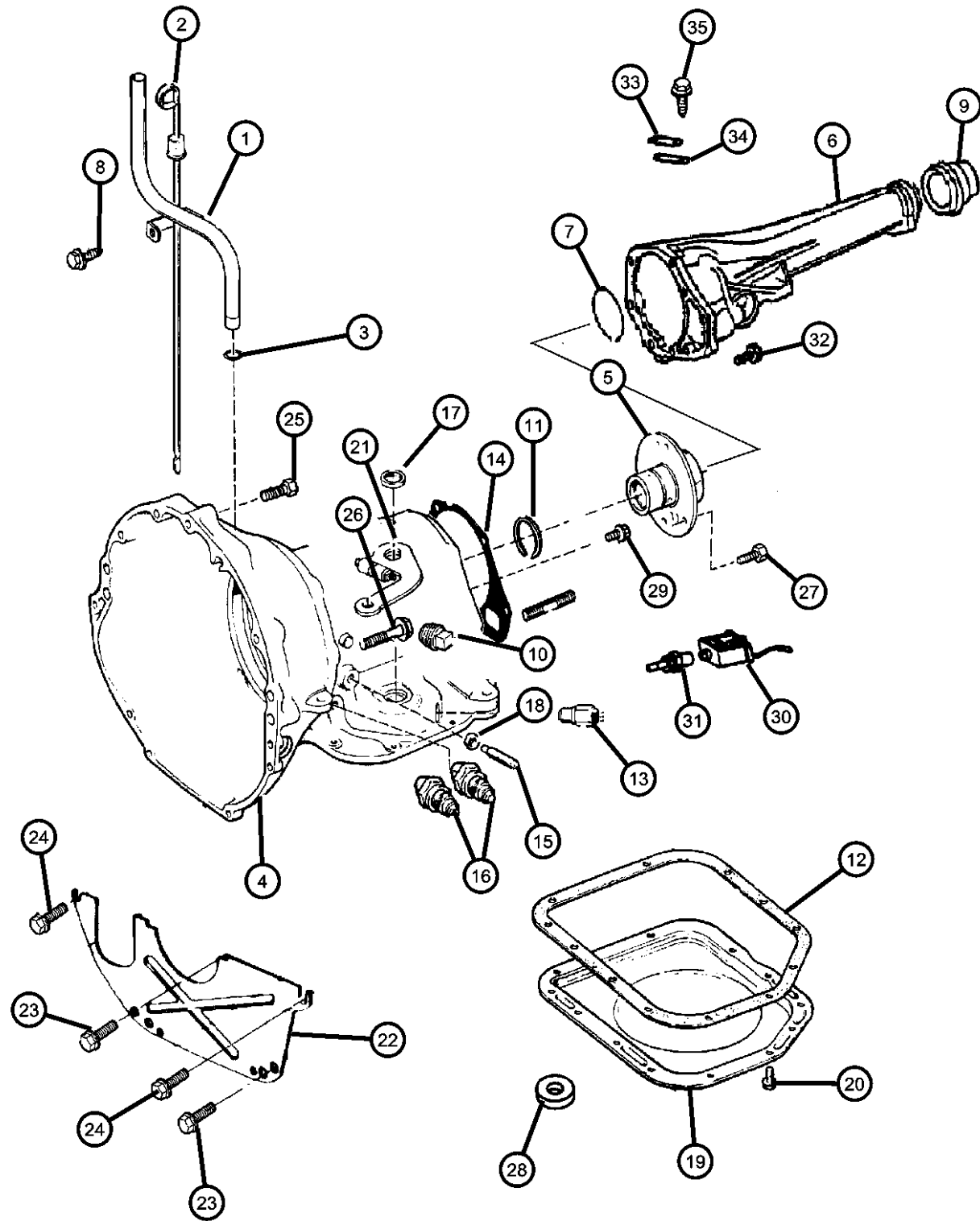
CHEROKEE (XJ)

SERIES	LINE	BODY	ENGINE	TRANSMISSION
H = Sport	T = JEEP - 2WD	74 = 4 Dr (101.4WB)	ENC = ENGINE - 2.5L 4 CYL TURBO DIESEL	DDD = TRANSMISSION - 5-SPEED HD MANUAL
L = SE	B = JEEP - 2WD (RHD)	72 = 2 Dr (101.4WB)	EPE = ENGINE - 2.5L POWER TECH I-4 Cyl.	DDQ = TRANSMISSION - 5-SPEED MANUAL
P = Classic	J = JEEP - 4WD		ERH = ENGINE - 4.0L POWER TECH I-6	DGD = TRANSMISSION - 3-SPD. AUTOMATIC,30RH
S = Limited	U = JEEP - 4WD (RHD)			DGK = TRANSMISSION - 4-SPD. AUTOMATIC,42RE
				DGS = TRANSMISSION-4SPD. AUTO,AISIN WARNER
				DGT = TRANSMISSION - 4-SPD. AUTOMATIC,46RE
				DGW = TRANSMISSION - 4-SPD. AUTOMATIC,44RE
				DGX = TRANSMISSION - 4-SPEED AUTOMATIC
				DBB = ALL MANUAL TRANSMISSIONS
				DGO = ALL AUTOMATIC TRANSMISSIONS

AR = use ase required - = Non illustrated part

2000 XJ

Case and Related Parts 30RH (DGD)
Figure 30RH-210



ITEM	PART NUMBER	QTY	LINE	SERIES	BODY	ENGINE	TRANS	TRIM	DESCRIPTION
22	02466957	1	B, T				DGD		COVER, Transmission Converter
23	02466957	1							BOLT, (NOT SERVICED)
24	11502628	2					DGD		BOLT, Hex Flange Head, M8x1.25x30
25	11502628	2							BOLT, (NOT SERVICED)
26	34201837	1					DGD		BOLT, Hex Flange Head, M12x1.75x90
27	06033479	6	B, T				DGD		BOLT, Hex Head, .25-28x1-5/8
28	03681601	1	B, T				DGD		MAGNET, Transmission
29	06033616	5	B, T				DGD		SCREW, Hex Flange Head, .25-28x.875
30	52118595	1	B, T				DGD		SOLENOID, Transmission
31	56038235	1	B, T				DGD		CONNECTOR, Wiring
32	06029531	6	B, T				DGD		SCREW, Hex Flange Head Lock, .375-16x1.25
33	02466957	1	B, T				DGD		COVER, Transmission Converter
34	02801398	1	B, T				DGD		GASKET, Transmission
35	06028022	2	B, T				DGD		SCREW, Flange Head Locking, .25-20x.62

CHEROKEE (XJ)

SERIES	LINE	BODY	ENGINE	TRANSMISSION
H = Sport	T = JEEP - 2WD	74 = 4 Dr (101.4WB)	ENC = ENGINE - 2.5L 4 CYL TURBO DIESEL	DDD = TRANSMISSION - 5-SPEED HD MANUAL
L = SE	B = JEEP - 2WD (RHD)	72 = 2 Dr (101.4WB)	EPE = ENGINE - 2.5L POWER TECH I-4 Cyl.	DDQ = TRANSMISSION - 5-SPEED MANUAL
P = Classic	J = JEEP - 4WD		ERH = ENGINE - 4.0L POWER TECH I-6	DGD = TRANSMISSION - 3-SPD. AUTOMATIC,30RH
S = Limited	U = JEEP - 4WD (RHD)			DGK = TRANSMISSION - 4-SPD. AUTOMATIC,42RE

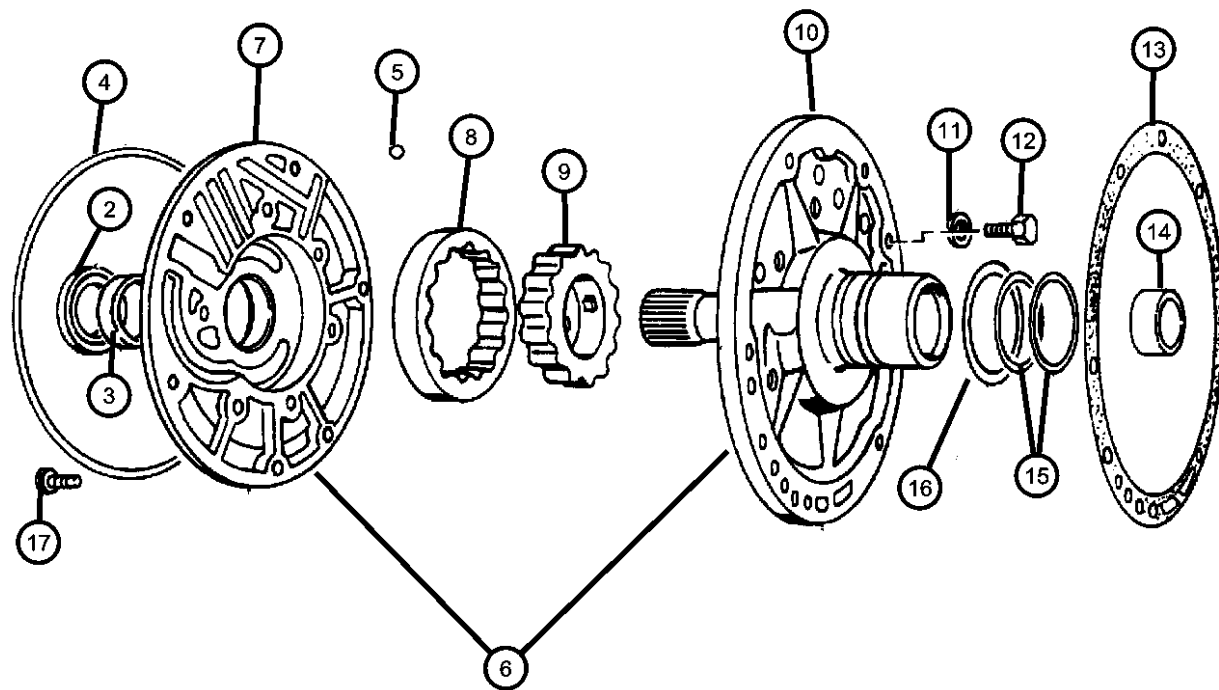
ENGINE	TRANSMISSION
ENC = ENGINE - 2.5L 4 CYL TURBO DIESEL	DDD = TRANSMISSION - 5-SPEED HD MANUAL
EPE = ENGINE - 2.5L POWER TECH I-4 Cyl.	DDQ = TRANSMISSION - 5-SPEED MANUAL
ERH = ENGINE - 4.0L POWER TECH I-6	DGD = TRANSMISSION - 3-SPD. AUTOMATIC,30RH
	DGK = TRANSMISSION - 4-SPD. AUTOMATIC,42RE
	DGS = TRANSMISSION-4SPD. AUTO,AISIN WARNER
	DGT = TRANSMISSION - 4-SPD. AUTOMATIC,46RE
	DGW = TRANSMISSION - 4-SPD. AUTOMATIC,44RE
	DGX = TRANSMISSION - 4-SPEED AUTOMATIC
	DBB = ALL MANUAL TRANSMISSIONS
	DGO = ALL AUTOMATIC TRANSMISSIONS

AR = use ase required - = Non illustrated part

2000 XJ

**Oil Pump 30RH (DGD)
Figure 30RH-310**

ITEM	PART NUMBER	QTY	LINE	SERIES	BODY	ENGINE	TRANS	TRIM	DESCRIPTION
Notes: DGD = 30 RH 3 Speed Automatic Transmission									
-1	04713108AB	1	B, T				DGD		GASKET AND SEAL PACKAGE, Transmission Oil Pump
2	04412475	1	B, T				DGD		SEAL, Impeller Hub, 57.25mm OD
3	02466796	1	B, T				DGD		BUSHING, Front Pump
4	02204709	1	B, T				DGD		SEAL, Front Pump Housing
5	00104918	3	B, T				DGD		BALL, Valve Body Check
6	52118267AB	1	B, T				DGD		PUMP, Transmission Oil
7	52118267AB	1							HOUSING, Pump, (NOT SERVICED)
8	52118267AB	1							ROTOR, Oil Pump, (NOT SERVICED)
9	52118267AB	1							ROTOR, Oil Pump, (NOT SERVICED)
10	52118267AB	1							SHAFT, Oil Pump, (NOT SERVICED)
11	52118267AB	1							LOCK WASHER, (NOT SERVICED)
12	00179815	6	B, T				DGD		SCREW, Hex Head, .312-18x.687
13	52118266	1	B, T				DGD		GASKET, Transmission Oil Pump
14	04058635	1	B, T				DGD		BUSHING, Reaction Shaft
15	04471874	2	B, T				DGD		SEAL, Ring Reaction Support, 2 1/16 O.D.
16	04617786	1	B, T				DGD		THRUST WASHER, Front Clutch
17	06023943	7	B, T				DGD		SCREW AND WASHER, Hex Flange Head, .312-18x1.375

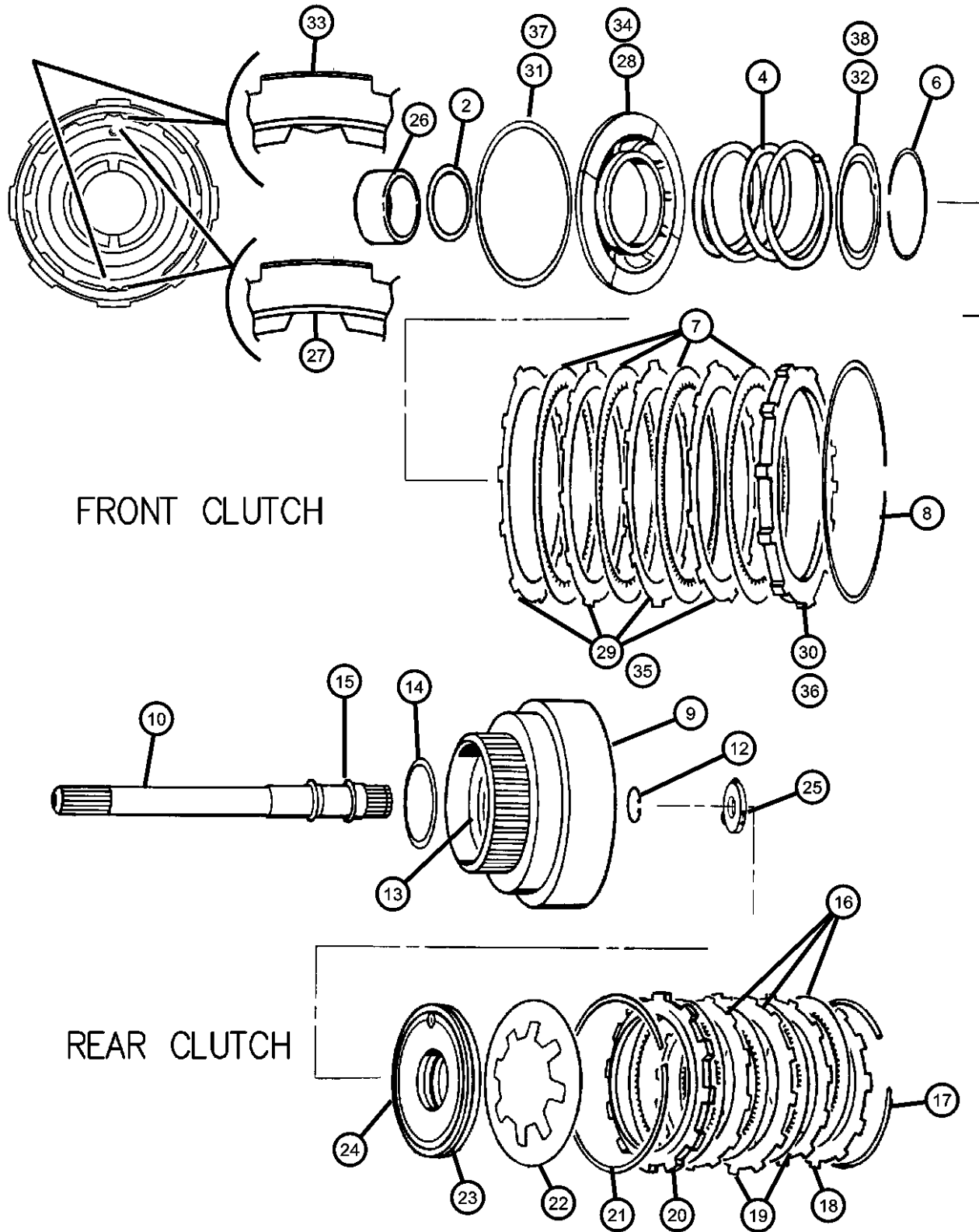


CHEROKEE (XJ)

SERIES	LINE	BODY	ENGINE	TRANSMISSION
H = Sport	T = JEEP - 2WD	74 = 4 Dr (101.4WB)	ENC = ENGINE - 2.5L 4 CYL TURBO DIESEL	DDD = TRANSMISSION - 5-SPEED HD MANUAL
L = SE	B = JEEP - 2WD (RHD)	72 = 2 Dr (101.4WB)	EPE = ENGINE - 2.5L POWER TECH I-4 Cyl.	DDQ = TRANSMISSION - 5-SPEED MANUAL
P = Classic	J = JEEP - 4WD		ERH = ENGINE - 4.0L POWER TECH I-6	DGD = TRANSMISSION - 3-SPD. AUTOMATIC,30RH
S = Limited	U = JEEP - 4WD (RHD)			DGK = TRANSMISSION - 4-SPD. AUTOMATIC,42RE
				DGS = TRANSMISSION-4SPD. AUTO,AISIN WARNER
				DGT = TRANSMISSION - 4-SPD. AUTOMATIC,46RE
				DGW = TRANSMISSION - 4-SPD. AUTOMATIC,44RE
				DGX = TRANSMISSION - 4-SPEED AUTOMATIC
				DBB = ALL MANUAL TRANSMISSIONS
				DGO = ALL AUTOMATIC TRANSMISSIONS

AR = use ase required - = Non illustrated part

**Gear 30RH (DGD)
Figure 30RH-410**



ITEM	PART NUMBER	QTY	LINE	SERIES	BODY	ENGINE	TRANS	TRIM	DESCRIPTION
Notes: DGD = 30 RH 3 Speed Automatic Transmission EP0 = All 2.5L 4 Cylinder Gas Engines									
-1	05252926AB	1	B, T				DGD		SEAL PACKAGE, Transmission Clutch
2	03515176	1	B, T				DGD		SEAL, Front Clutch Piston
-3	00147483	1	B, T				DGD		CHECK BALL, Dia-.187
4	03515054	1	B, T				DGD		SPRING, Front Clutch
-5	00147483	1	B, T				DGD		CHECK BALL, Dia-.187
6	01942400	1	B, T				DGD		SNAP RING
7	04617362	4	B, T				DGD		DISC, Direct Clutch
8	02464464	1	B, T				DGD		SNAP RING
9	04505195	1	B, T				DGD		RETAINER, Transmission Rear Clutch
10	04505195	1							SHAFT, Input, (NOT SERVICED)
-11	00147483	1	B, T				DGD		CHECK BALL, Dia-.187
12	06022859	1	B, T				DGD		SNAP RING, .890625
13	04028333	1	B, T				DGD		SEAL, Rear Clutch, 1.50 ODx.009 Thk
14	04617786	1	B, T				DGD		THRUST WASHER, Front Clutch
15	01401221AB	1	B, T				DGD		SEAL, Input Shaft
16	04713880	3	B, T				DGD		DISC, Clutch
17	05014226AA	1	B, T				DGD		SNAP RING PACKAGE, Transmission
18	04617176AB	1	B, T				DGD		PLATE, Transmission Clutch Reaction
19	01942403AB	2	B, T				DGD		PLATE, Clutch Separator
20	02466281	1	B, T				DGD		PLATE, Clutch Pressure
21	02466283	1	B, T				DGD		SPRING, Rear Clutch

CHEROKEE (XJ)

SERIES	LINE
H = Sport	T = JEEP - 2WD
L = SE	B = JEEP - 2WD (RHD)
P = Classic	J = JEEP - 4WD
S = Limited	U = JEEP - 4WD (RHD)

BODY
74 = 4 Dr (101.4WB)
72 = 2 Dr (101.4WB)

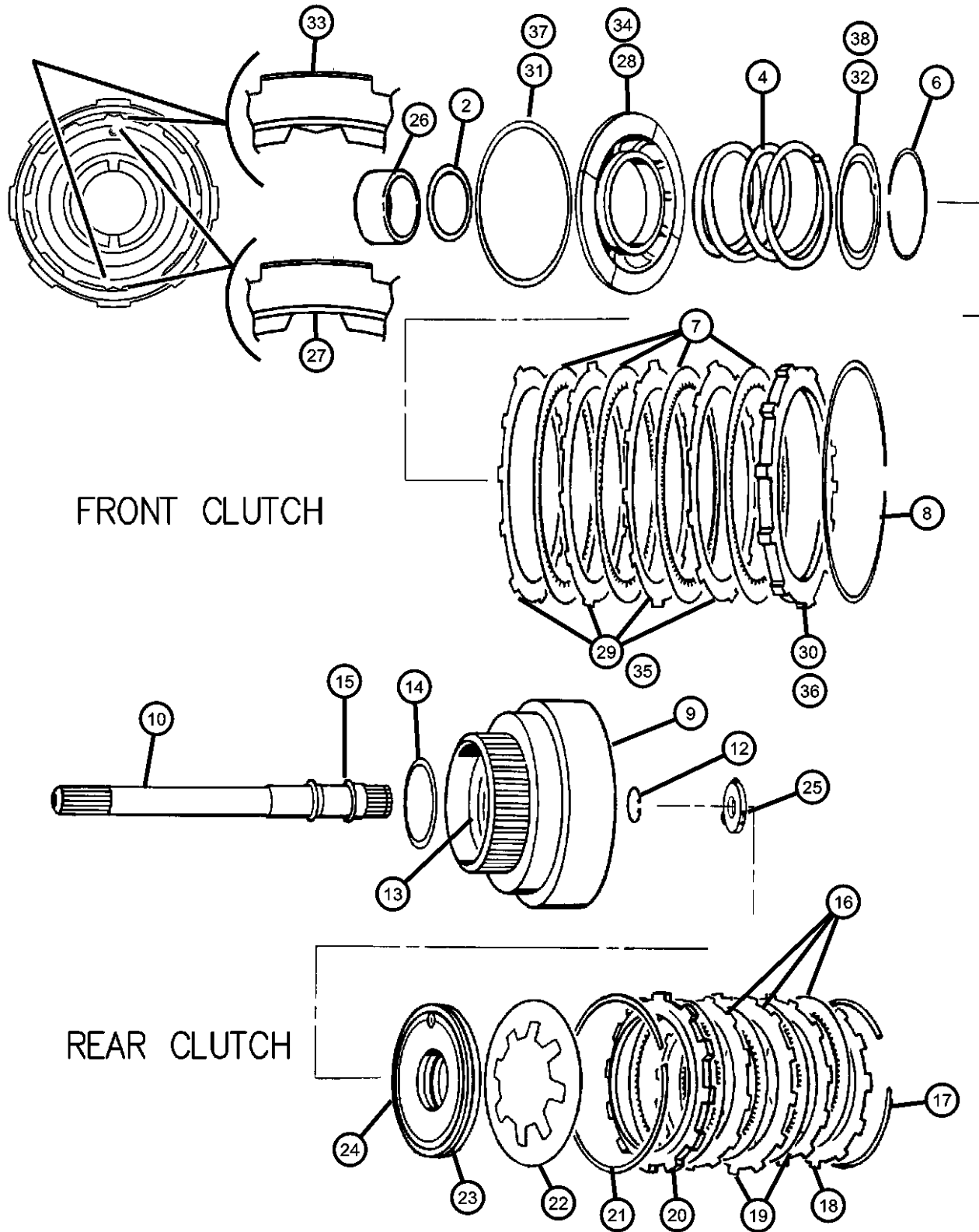
ENGINE
ENC = ENGINE - 2.5L 4 CYL TURBO DIESEL
EPE = ENGINE - 2.5L POWER TECH I-4 Cyl.
ERH = ENGINE - 4.0L POWER TECH I-6

TRANSMISSION
DDD = TRANSMISSION - 5-SPEED HD MANUAL
DDQ = TRANSMISSION - 5-SPEED MANUAL
DGD = TRANSMISSION - 3-SPD. AUTOMATIC,30RH
DGK = TRANSMISSION - 4-SPD. AUTOMATIC,42RE
DGS = TRANSMISSION-4SPD. AUTO,AISIN WARNER
DGT = TRANSMISSION - 4-SPD. AUTOMATIC,46RE
DGW = TRANSMISSION - 4-SPD. AUTOMATIC,44RE
DGX = TRANSMISSION - 4-SPEED AUTOMATIC
DBB = ALL MANUAL TRANSMISSIONS
DGO = ALL AUTOMATIC TRANSMISSIONS

AR = use ase required - = Non illustrated part

2000 XJ

**Gear 30RH (DGD)
Figure 30RH-410**



FRONT CLUTCH

REAR CLUTCH

ITEM	PART NUMBER	QTY	LINE	SERIES	BODY	ENGINE	TRANS	TRIM	DESCRIPTION
22	04728487	1	B, T				DGD		SPRING, Rear Clutch Piston
23	02538510	1	B, T				DGD		SEAL, Rear Clutch Piston
24	03515716	1	B, T				DGD		PISTON, Clutch
25	04505185	1	B, T				DGD		THRUST WASHER, Output Shaft, Gray .052
26	04617157	1	B, T				DGD		BUSHING, Front Clutch
27	04531285	1	B, T				DGD		RETAINER AND BUSHING, Transmission Front Clutch, Up to 01 -07-2000
28	04617154	1	B, T				DGD		PISTON, Clutch
29	01942403AC	4	B, T				DGD		PLATE, Clutch Separator
30	04617176	1	B, T				DGD		PLATE, Transmission Clutch Reaction
31	04058487	1	B, T				DGD		SEAL, Front Piston Clutch
32	04617516AB	1	B, T				DGD		RETAINER, Transmission Front Clutch Piston Spring
33	04531285AB	1	B, T				DGD		RETAINER AND BUSHING, Transmission Front Clutch, From 01 -07-2000
34	04617154AB	1	B, T				DGD		PISTON, Clutch
35	01942403AC	4	B, T				DGD		PLATE, Clutch Separator
36	04617176AB	1	B, T				DGD		PLATE, Transmission Clutch Reaction
37	04058487AB	1	B, T				DGD		SEAL, Front Piston Clutch
38	04617516AC	1	B, T				DGD		RETAINER, Transmission Front Clutch Piston Spring

CHEROKEE (XJ)

SERIES LINE
 H = Sport T = JEEP - 2WD
 L = SE B = JEEP - 2WD (RHD)
 P = Classic J = JEEP - 4WD
 S = Limited U = JEEP - 4WD (RHD)

BODY
 74 = 4 Dr (101.4WB)
 72 = 2 Dr (101.4WB)

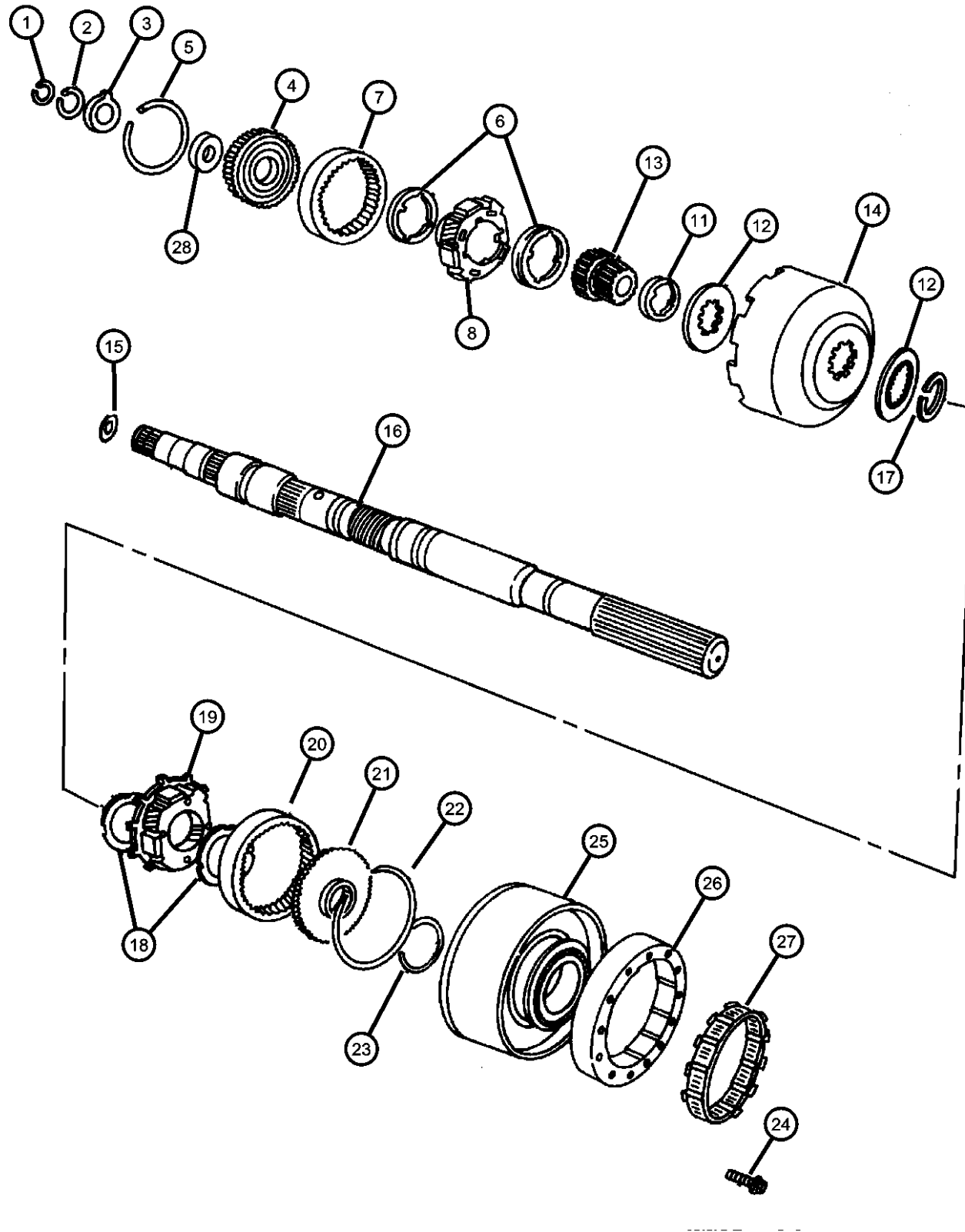
ENGINE
 ENC = ENGINE - 2.5L 4 CYL TURBO DIESEL
 EPE = ENGINE - 2.5L POWER TECH I-4 Cyl.
 ERH = ENGINE - 4.0L POWER TECH I-6

TRANSMISSION
 DDD = TRANSMISSION - 5-SPEED HD MANUAL
 DDQ = TRANSMISSION - 5-SPEED MANUAL
 DGD = TRANSMISSION - 3-SPD. AUTOMATIC,30RH
 DGK = TRANSMISSION - 4-SPD. AUTOMATIC,42RE
 DGS = TRANSMISSION-4SPD. AUTO,AISIN WARNER
 DGT = TRANSMISSION - 4-SPD. AUTOMATIC,46RE
 DGW = TRANSMISSION - 4-SPD. AUTOMATIC,44RE
 DGX = TRANSMISSION - 4-SPEED AUTOMATIC
 DBB = ALL MANUAL TRANSMISSIONS
 DGO = ALL AUTOMATIC TRANSMISSIONS

AR = use ase required - = Non illustrated part

2000 XJ

**Gear 30RH (DGD)
Figure 30RH-420**



ITEM	PART NUMBER	QTY	LINE	SERIES	BODY	ENGINE	TRANS	TRIM	DESCRIPTION
------	-------------	-----	------	--------	------	--------	-------	------	-------------

Notes:
DGD = 30 RH 3 Speed Automatic Transmission

1	06026289	1	B, T				DGD		SNAP RING, .946 ID
2	06030576	1	B, T				DGD		SNAP RING, Annulus Gear, 1.375 ID
3	03681969	1	B, T				DGD		THRUST WASHER, Annulus Gear
4	04617774	1	B, T				DGD		SUPPORT, Annulus Gear
5	06030576	1	B, T				DGD		SNAP RING, Annulus Gear, 1.375 ID
6	04130518	2	B, T				DGD		THRUST WASHER, Planetary Carrier
7	04130512	1	B, T				DGD		GEAR, Front Annulus
8	04130514	1	B, T				DGD		CARRIER, Planetary PinionFront
-9	03681949	8	B, T				DGD		THRUST WASHER, Planet Pinion
-10	03743664	76	B, T				DGD		ROLLER, Front and Rear Pinion
11	04130736	1	B, T				DGD		SPACER, Sun Gear
12	04471566	2	B, T				DGD		PLATE, Transmission Module
13	04130685	1	B, T				DGD		GEAR, Sun
14	04531288	1	B, T				DGD		SHELL, Sun Gear
15	04505188	1	B, T				DGD		PLATE, Transmission Module
16	04617318	1	B, T				DGD		MAINSHAFT, Transmission
17	01942439	1	B, T				DGD		SNAP RING, Sun Gear Shell
18	04130518	2	B, T				DGD		THRUST WASHER, Planetary Carrier
19	04431438	1	B, T				DGD		CARRIER, Planetary PinionRear
20	03743184	1	B, T				DGD		GEAR, Rear Annulus
21	03515501	1	B, T				DGD		SUPPORT, Annulus Gear
22	01942444	1	B, T				DGD		SNAP RING

CHEROKEE (XJ)

SERIES LINE
H = Sport T = JEEP - 2WD
L = SE B = JEEP - 2WD (RHD)
P = Classic J = JEEP - 4WD
S = Limited U = JEEP - 4WD (RHD)

BODY
74 = 4 Dr (101.4WB)
72 = 2 Dr (101.4WB)

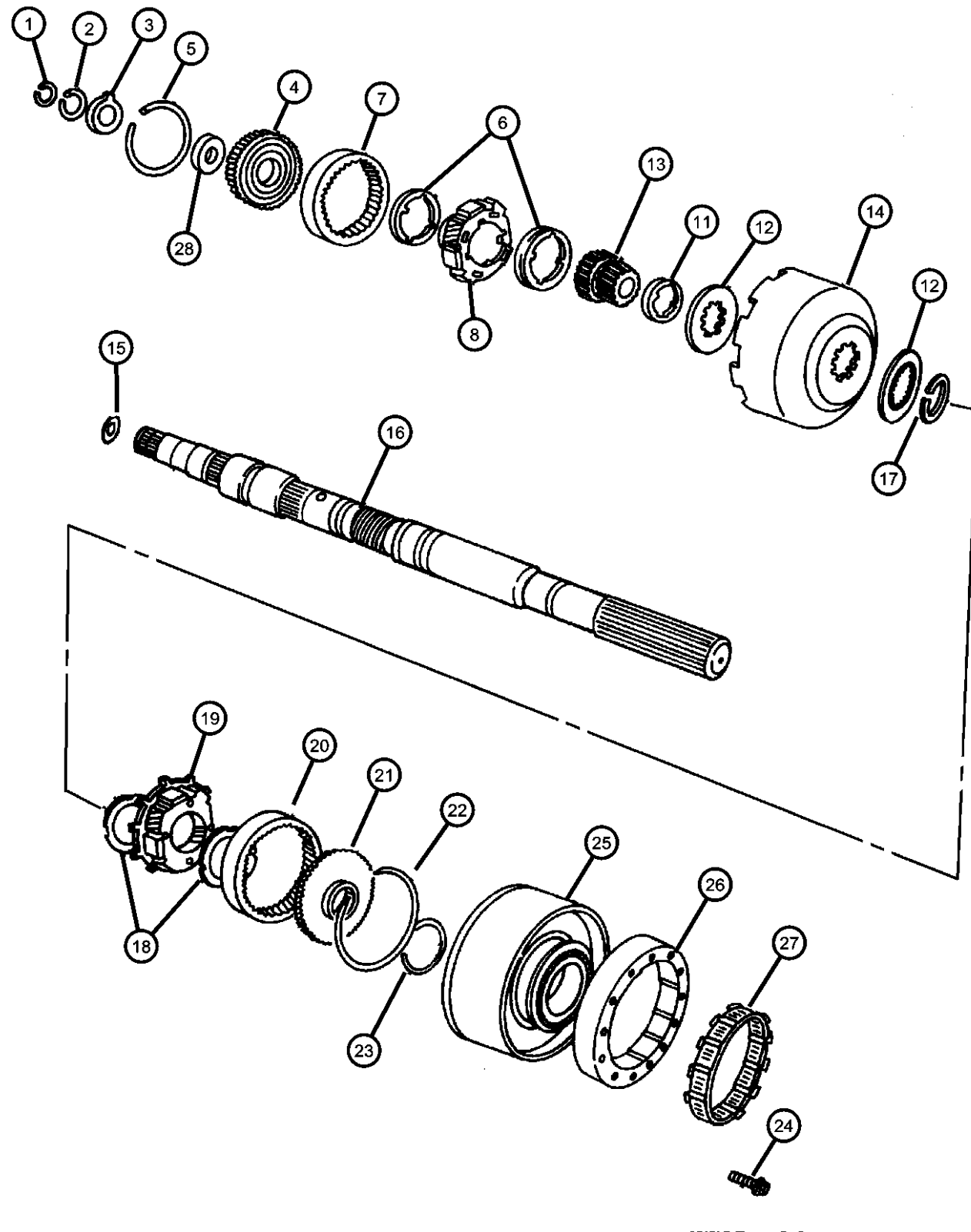
ENGINE
ENC = ENGINE - 2.5L 4 CYL TURBO DIESEL
EPE = ENGINE - 2.5L POWER TECH I-4 Cyl.
ERH = ENGINE - 4.0L POWER TECH I-6

TRANSMISSION
DDD = TRANSMISSION - 5-SPEED HD MANUAL
DDQ = TRANSMISSION - 5-SPEED MANUAL
DGD = TRANSMISSION - 3-SPD. AUTOMATIC,30RH
DGK = TRANSMISSION - 4-SPD. AUTOMATIC,42RE
DGS = TRANSMISSION-4SPD. AUTO,AISIN WARNER
DGT = TRANSMISSION - 4-SPD. AUTOMATIC,46RE
DGW = TRANSMISSION - 4-SPD. AUTOMATIC,44RE
DGX = TRANSMISSION - 4-SPEED AUTOMATIC
DBB = ALL MANUAL TRANSMISSIONS
DGO = ALL AUTOMATIC TRANSMISSIONS

AR = use ase required - = Non illustrated part

2000 XJ

**Gear 30RH (DGD)
Figure 30RH-420**



ITEM	PART NUMBER	QTY	LINE	SERIES	BODY	ENGINE	TRANS	TRIM	DESCRIPTION
23	06033480	1	B, T				DGD		SNAP RING, Reverse Drum
24	06033616	5	B, T				DGD		SCREW, Hex Flange Head, .25-28x.875
25	04637956	1	B, T				DGD		DRUM PACKAGE, Transmission
26	04431690	1	B, T				DGD		CAM, Overrunning Clutch
27	04431432	1	B, T				DGD		CLUTCH, Overrunning
28	04617775	1	B, T				DGD		PLATE, Annulus Gear Thrust

CHEROKEE (XJ)

SERIES	LINE
H = Sport	T = JEEP - 2WD
L = SE	B = JEEP - 2WD (RHD)
P = Classic	J = JEEP - 4WD
S = Limited	U = JEEP - 4WD (RHD)

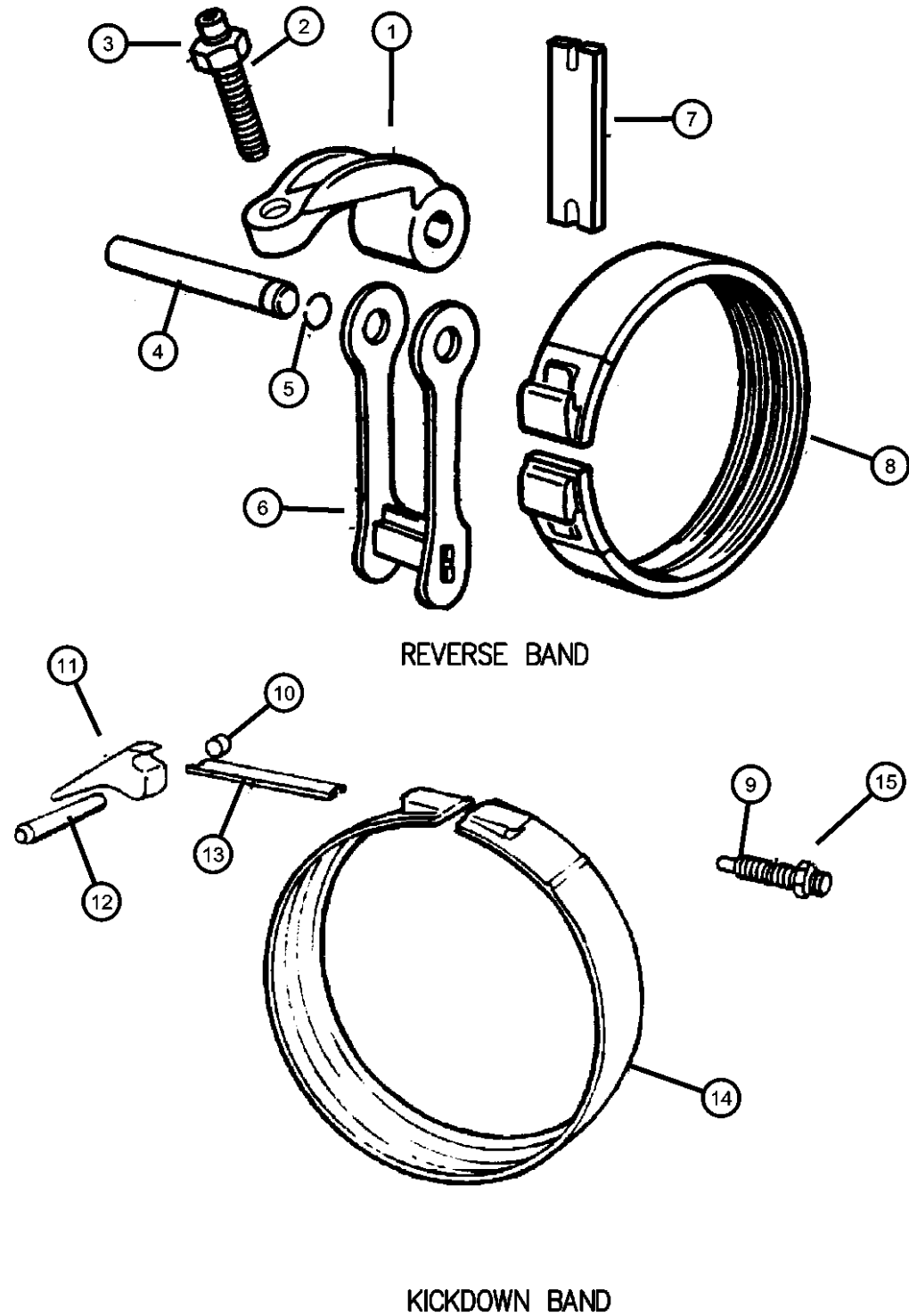
BODY
74 = 4 Dr (101.4WB)
72 = 2 Dr (101.4WB)

ENGINE
ENC = ENGINE - 2.5L 4 CYL TURBO DIESEL
EPE = ENGINE - 2.5L POWER TECH I-4 Cyl.
ERH = ENGINE - 4.0L POWER TECH I-6

TRANSMISSION
DDD = TRANSMISSION - 5-SPEED HD MANUAL
DDQ = TRANSMISSION - 5-SPEED MANUAL
DGD = TRANSMISSION - 3-SPD. AUTOMATIC,30RH
DGK = TRANSMISSION - 4-SPD. AUTOMATIC,42RE
DGS = TRANSMISSION-4SPD. AUTO,AISIN WARNER
DGT = TRANSMISSION - 4-SPD. AUTOMATIC,46RE
DGW = TRANSMISSION - 4-SPD. AUTOMATIC,44RE
DGX = TRANSMISSION - 4-SPEED AUTOMATIC
DBB = ALL MANUAL TRANSMISSIONS
DGO = ALL AUTOMATIC TRANSMISSIONS

AR = use ase required - = Non illustrated part

**Bands 30RH (DGD)
Figure 30RH-510**



REVERSE BAND

KICKDOWN BAND

ITEM	PART NUMBER	QTY	LINE	SERIES	BODY	ENGINE	TRANS	TRIM	DESCRIPTION
Notes: DGD = 30 RH 3 Speed Automatic Transmission									
1	03681139	1	B, T				DGD		LEVER, Reverse Band
2	06030704	1	B, T				DGD		SCREW, Cap, .437-20x1.812
3	00271506	1	B, T				DGD		NUT, Hex, .42-20
4	03410102	1	B, T				DGD		SHAFT, Reverse Band
5	06030657	1	B, T				DGD		O RING, Steering Gear
6	02464439	1	B, T				DGD		LINK, Transmission Reverse Band
7	03515589	1	B, T				DGD		STRUT, Reverse Band
8	04431405	1	B, T				DGD		BAND, Reverse
9	06036141AA	1	B, T				DGD		SCREW
10	06036141AA	1							PLUG, (NOT SERVICED)
11	02125067	1	B, T				DGD		LEVER, Kickdown
12	04531181	1	B, T				DGD		SHAFT, Band Lever
13	03515084	1	B, T				DGD		STRUT, Kickdown Band
14	04617849	1	B, T				DGD		BAND, Kickdown
15	00124934	1	B, T				DGD		NUT, Hex Jam, .50-20

CHEROKEE (XJ)

SERIES	LINE
H = Sport	T = JEEP - 2WD
L = SE	B = JEEP - 2WD (RHD)
P = Classic	J = JEEP - 4WD
S = Limited	U = JEEP - 4WD (RHD)

BODY
74 = 4 Dr (101.4WB)
72 = 2 Dr (101.4WB)

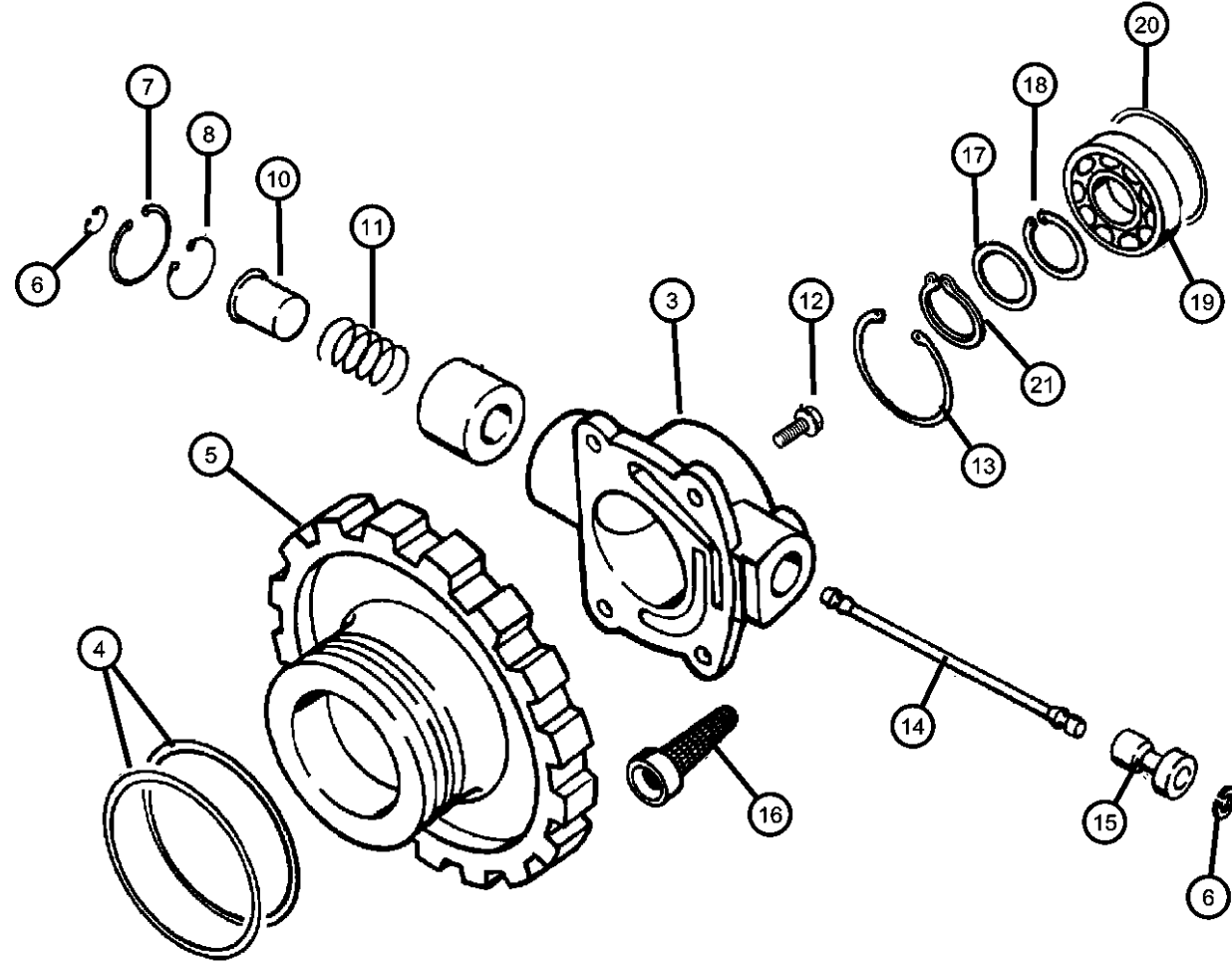
ENGINE
ENC = ENGINE - 2.5L 4 CYL TURBO DIESEL
EPE = ENGINE - 2.5L POWER TECH I-4 Cyl.
ERH = ENGINE - 4.0L POWER TECH I-6

TRANSMISSION
DDD = TRANSMISSION - 5-SPEED HD MANUAL
DDQ = TRANSMISSION - 5-SPEED MANUAL
DGD = TRANSMISSION - 3-SPD. AUTOMATIC,30RH
DGK = TRANSMISSION - 4-SPD. AUTOMATIC,42RE
DGS = TRANSMISSION-4SPD. AUTO,AISIN WARNER
DGT = TRANSMISSION - 4-SPD. AUTOMATIC,46RE
DGW = TRANSMISSION - 4-SPD. AUTOMATIC,44RE
DGX = TRANSMISSION - 4-SPEED AUTOMATIC
DBB = ALL MANUAL TRANSMISSIONS
DGO = ALL AUTOMATIC TRANSMISSIONS

AR = use ase required - = Non illustrated part

2000 XJ

**Governor 30RH (DGD)
Figure 30RH-610**



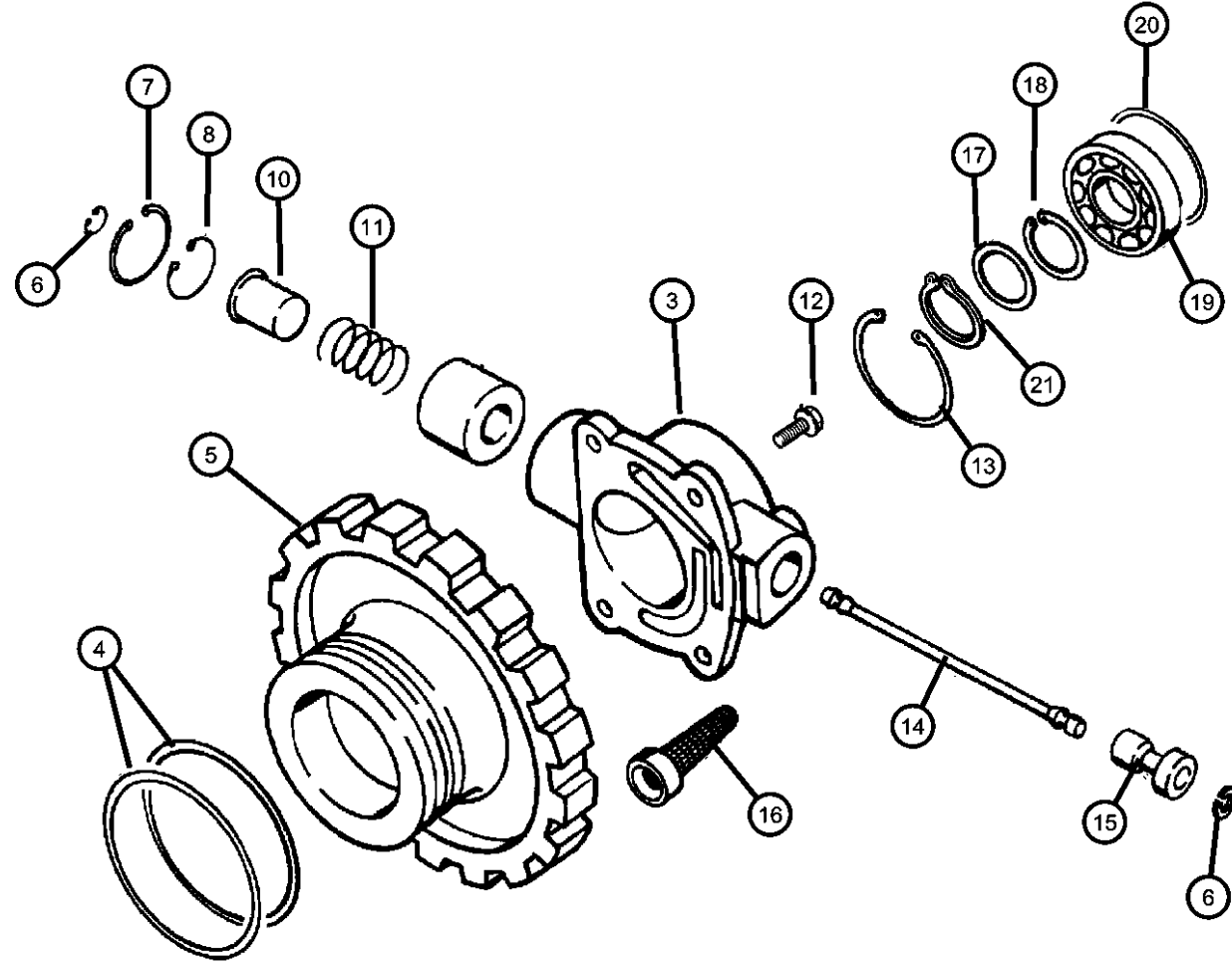
ITEM	PART NUMBER	QTY	LINE	SERIES	BODY	ENGINE	TRANS	TRIM	DESCRIPTION
Notes: DGD = 30 RH 3 Speed Automatic Transmission									
-1	04883956AB	1	B, T				DGD		GASKET AND SEAL PACKAGE, Governor
-2	04728460	1	B, T				DGD		BODY PACKAGE, Governor
3	04728460	1							BODY, Governor, (NOT SERVICED)
4	01942109	1	B, T				DGD		SEAL, Governor
5	03743518	1	B, T				DGD		SUPPORT, Governor
6	01638461	2	B, T				DGD		SNAP RING
7	06031392	1	B, T				DGD		SNAP RING, Brake Master Cylinder
8	06034723	1	B, T				DGD		SNAP RING, Governor, .675 x .025
-9	52117938	1	B, T				DGD		WEIGHT KIT, Transmission Governor
10	52117938	1							WEIGHT PACKAGE, Transmission Governor, (NOT SERVICED)
11	52117938	1							SPRING, (NOT SERVICED)
12	06031613	2	B, T				DGD		BOLT, Hex Head, .25-20x.68
13	06027271	1	B, T				DGD		SNAP RING, Governor, 1.156
14	01556082	1	B, T				DGD		SHAFT, Governor
15	04617064	1	B, T				DGD		VALVE, Governor
16	03743519	1	B, T				DGD		FILTER, Transmission Governor
17	03743519	1							SPACER, Output Shaft, (NOT REQUIRED)
18	06029675	1	B, T				DGD		SNAP RING, Output Shaft, 1.125 OD
19	03410465	1	B, T				DGD		BEARING, Output Shaft

CHEROKEE (XJ)

SERIES	LINE	BODY	ENGINE	TRANSMISSION
H = Sport	T = JEEP - 2WD	74 = 4 Dr (101.4WB)	ENC = ENGINE - 2.5L 4 CYL TURBO DIESEL	DDD = TRANSMISSION - 5-SPEED HD MANUAL
L = SE	B = JEEP - 2WD (RHD)	72 = 2 Dr (101.4WB)	EPE = ENGINE - 2.5L POWER TECH I-4 Cyl.	DDQ = TRANSMISSION - 5-SPEED MANUAL
P = Classic	J = JEEP - 4WD		ERH = ENGINE - 4.0L POWER TECH I-6	DGD = TRANSMISSION - 3-SPD. AUTOMATIC,30RH
S = Limited	U = JEEP - 4WD (RHD)			DGK = TRANSMISSION - 4-SPD. AUTOMATIC,42RE
				DGS = TRANSMISSION-4SPD. AUTO,AISIN WARNER
				DGT = TRANSMISSION - 4-SPD. AUTOMATIC,46RE
				DGW = TRANSMISSION - 4-SPD. AUTOMATIC,44RE
				DGX = TRANSMISSION - 4-SPEED AUTOMATIC
				DBB = ALL MANUAL TRANSMISSIONS
				DGO = ALL AUTOMATIC TRANSMISSIONS

AR = use ase required - = Non illustrated part

**Governor 30RH (DGD)
Figure 30RH-610**



ITEM	PART NUMBER	QTY	LINE	SERIES	BODY	ENGINE	TRANS	TRIM	DESCRIPTION
20	03410465	1							O RING, Output Shaft Bearing, Transmission, (NOT REQUIRED)
21	06031392	1	B, T				DGD		SNAP RING, Brake Master Cylinder

CHEROKEE (XJ)

SERIES	LINE
H = Sport	T = JEEP - 2WD
L = SE	B = JEEP - 2WD (RHD)
P = Classic	J = JEEP - 4WD
S = Limited	U = JEEP - 4WD (RHD)

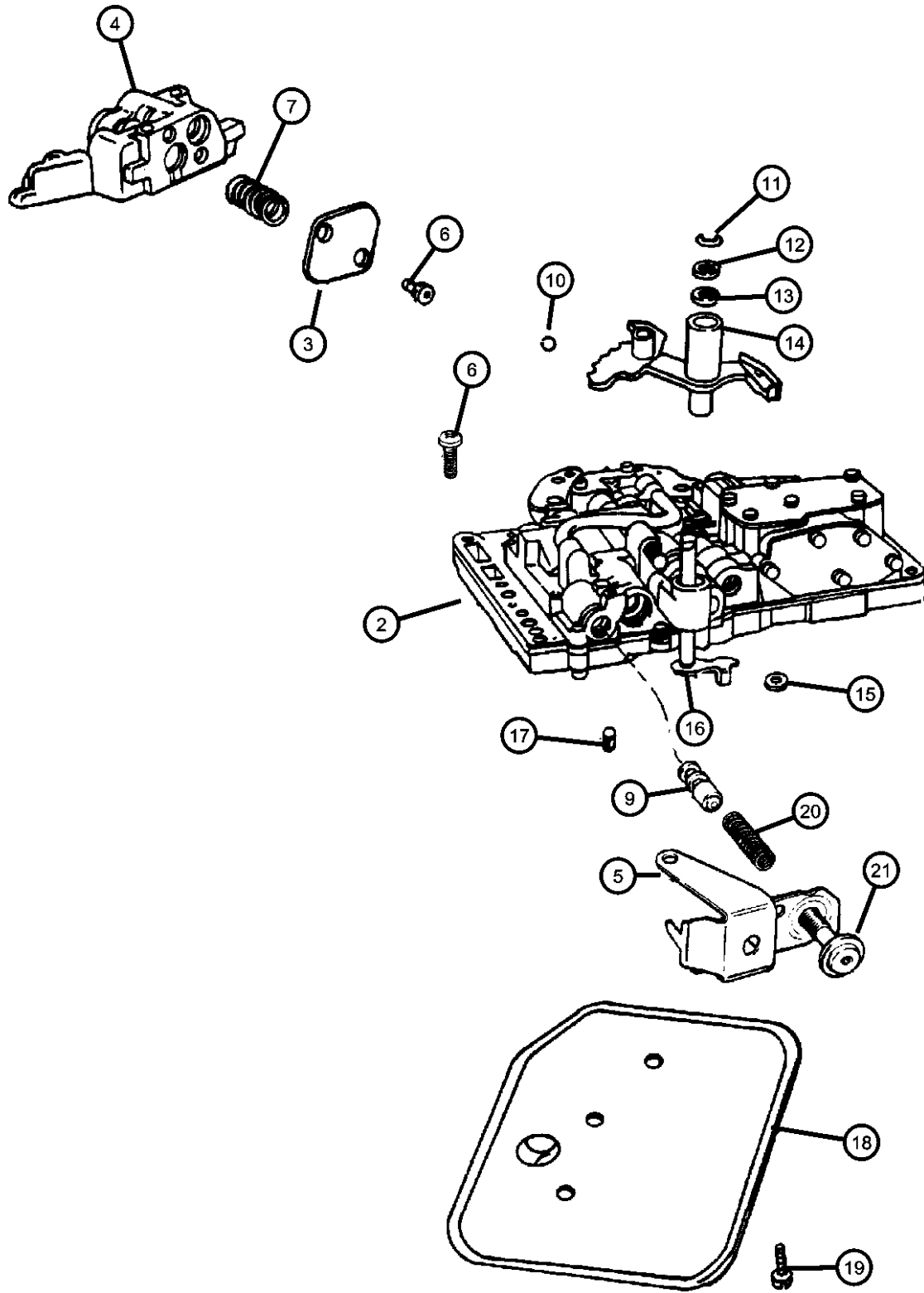
BODY
74 = 4 Dr (101.4WB)
72 = 2 Dr (101.4WB)

ENGINE
ENC = ENGINE - 2.5L 4 CYL TURBO DIESEL
EPE = ENGINE - 2.5L POWER TECH I-4 Cyl.
ERH = ENGINE - 4.0L POWER TECH I-6

TRANSMISSION
DDD = TRANSMISSION - 5-SPEED HD MANUAL
DDQ = TRANSMISSION - 5-SPEED MANUAL
DGD = TRANSMISSION - 3-SPD. AUTOMATIC,30RH
DGK = TRANSMISSION - 4-SPD. AUTOMATIC,42RE
DGS = TRANSMISSION-4SPD. AUTO,AISIN WARNER
DGT = TRANSMISSION - 4-SPD. AUTOMATIC,46RE
DGW = TRANSMISSION - 4-SPD. AUTOMATIC,44RE
DGX = TRANSMISSION - 4-SPEED AUTOMATIC
DBB = ALL MANUAL TRANSMISSIONS
DGO = ALL AUTOMATIC TRANSMISSIONS

AR = use ase required - = Non illustrated part

**Valve Body 30 RH (DGD)
Figure 30RH-710**



ITEM	PART NUMBER	QTY	LINE	SERIES	BODY	ENGINE	TRANS	TRIM	DESCRIPTION
------	-------------	-----	------	--------	------	--------	-------	------	-------------

Notes:

DGD = 30 RH 3 Speed Automatic Transmission

-1	04713105AB	1	B, T				DGD		GASKET AND SEAL PACKAGE, Valve Body
2	52118596	1	B, T				DGD		BODY, Transfer Plate
3	52118596	1							PLATE, (NOT SERVICED)
4	52118596	1							VALVE, Valve Body, (NOT SERVICED)
5	52118596	1							BRACKET, (NOT SERVICED)
6	52118596	1							SCREW, (NOT SERVICED)
7	52118596	1							SPRING, Lock Up Valve, NOTE: Not Serviced For 1999., (NOT SERVICED)
-8	04348907	1	B, T				DGD		SPRING, Limit Valve
9	04505036	1	B, T				DGD		VALVE, Trans Lockup Switch
10	00147488	1	B, T				DGD		BALL, Manual Lever Detent, .343 Diameter
11	06035208	2	B, T				DGD		SNAP RING
12	02538062	1	B, T				DGD		WASHER, Manual Valve Lever
13	02466548	1	B, T				DGD		SEAL, Valve Lever Shift
14	04617439	1	B, T				DGD		LEVER, Manual Valve
15	04505098	1	B, T				DGD		SEAL, Manual Shift Valve, 1.25 OD
16	03681227	1	B, T				DGD		LEVER, Throttle Valve
17	03878313	1	B, T				DGD		SCREEN, Transmission Regulator Valve
18	03515996	1	B, T				DGD		FILTER, Valve Body
19	06033826	3	B, T				DGD		SCREW AND WASHER, Oil Filter Mounting, Fillester Head .190-24x2.500

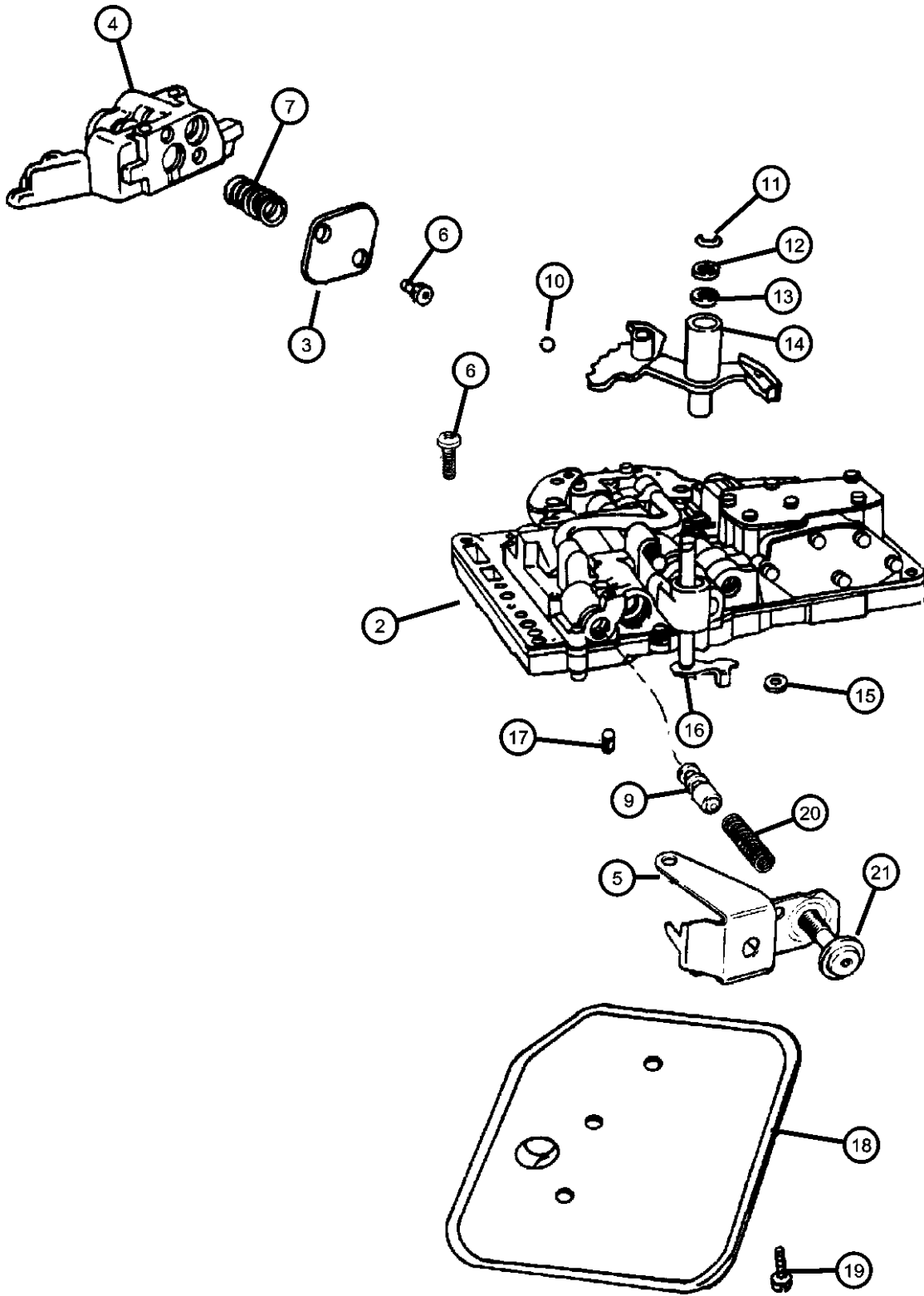
CHEROKEE (XJ)

SERIES	LINE	BODY	ENGINE	TRANSMISSION
H = Sport	T = JEEP - 2WD	74 = 4 Dr (101.4WB)	ENC = ENGINE - 2.5L 4 CYL TURBO DIESEL	DDD = TRANSMISSION - 5-SPEED HD MANUAL
L = SE	B = JEEP - 2WD (RHD)	72 = 2 Dr (101.4WB)	EPE = ENGINE - 2.5L POWER TECH I-4 Cyl.	DDQ = TRANSMISSION - 5-SPEED MANUAL
P = Classic	J = JEEP - 4WD		ERH = ENGINE - 4.0L POWER TECH I-6	DGD = TRANSMISSION - 3-SPD. AUTOMATIC,30RH
S = Limited	U = JEEP - 4WD (RHD)			DGK = TRANSMISSION - 4-SPD. AUTOMATIC,42RE
				DGS = TRANSMISSION-4SPD. AUTO,AISIN WARNER
				DGT = TRANSMISSION - 4-SPD. AUTOMATIC,46RE
				DGW = TRANSMISSION - 4-SPD. AUTOMATIC,44RE
				DGX = TRANSMISSION - 4-SPEED AUTOMATIC
				DBB = ALL MANUAL TRANSMISSIONS
				DGO = ALL AUTOMATIC TRANSMISSIONS

AR = use ase required - = Non illustrated part

2000 XJ

Valve Body 30 RH (DGD)
Figure 30RH-710



ITEM	PART NUMBER	QTY	LINE	SERIES	BODY	ENGINE	TRANS	TRIM	DESCRIPTION
20	04130492	1	B, T				DGD		SPRING, Switch Valve
21	06030609	1	B, T				DGD		SCREW, Cap Head Lock, .312-24x1.25

CHEROKEE (XJ)

SERIES
H = Sport
L = SE
P = Classic
S = Limited

LINE

T = JEEP - 2WD
B = JEEP - 2WD (RHD)
J = JEEP - 4WD
U = JEEP - 4WD (RHD)

BODY

74 = 4 Dr (101.4WB)
72 = 2 Dr (101.4WB)

ENGINE

ENC = ENGINE - 2.5L 4 CYL TURBO DIESEL
EPE = ENGINE - 2.5L POWER TECH I-4 Cyl.
ERH = ENGINE - 4.0L POWER TECH I-6

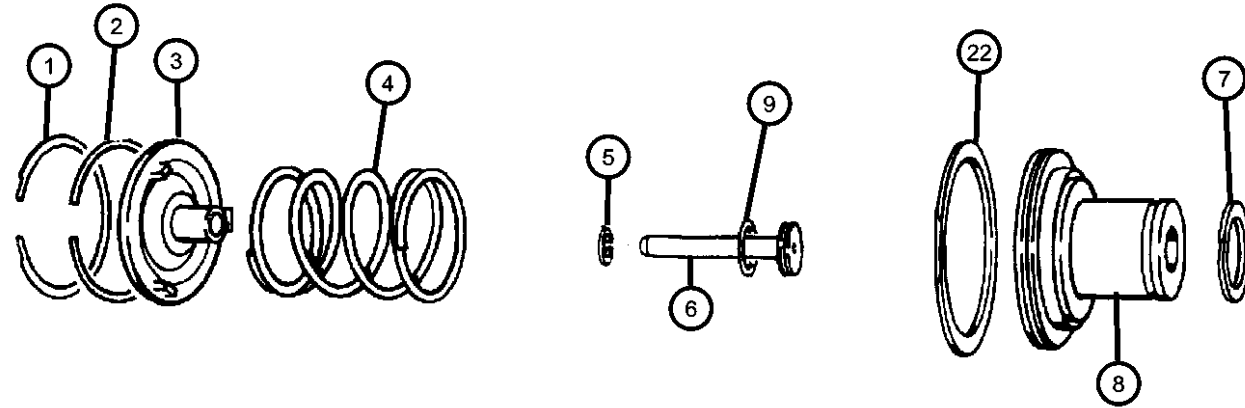
TRANSMISSION

DDD = TRANSMISSION - 5-SPEED HD MANUAL
DDQ = TRANSMISSION - 5-SPEED MANUAL
DGD = TRANSMISSION - 3-SPD. AUTOMATIC,30RH
DGK = TRANSMISSION - 4-SPD. AUTOMATIC,42RE
DGS = TRANSMISSION-4SPD. AUTO,AISIN WARNER
DGT = TRANSMISSION - 4-SPD. AUTOMATIC,46RE
DGW = TRANSMISSION - 4-SPD. AUTOMATIC,44RE
DGX = TRANSMISSION - 4-SPEED AUTOMATIC
DBB = ALL MANUAL TRANSMISSIONS
DGO = ALL AUTOMATIC TRANSMISSIONS

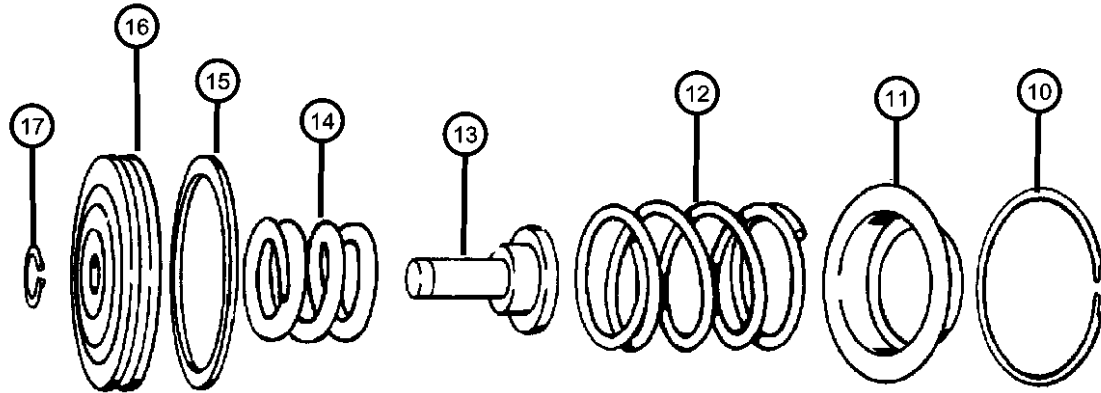
AR = use ase required - = Non illustrated part

2000 XJ

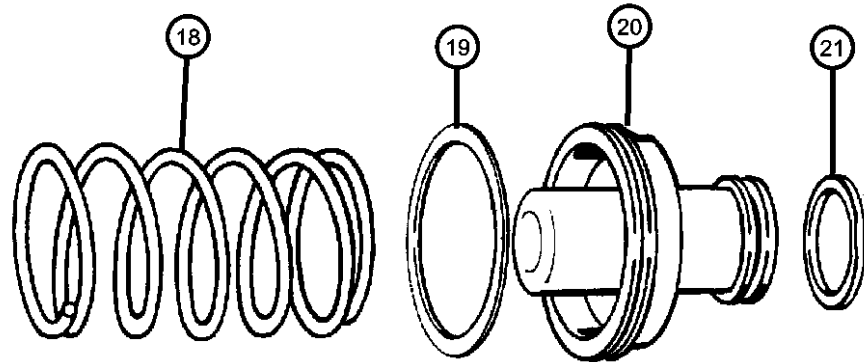
Servos 30RH (DGD)
Figure 30RH-720



KICKDOWN SERVO



LOW AND REVERSE SERVO



ACCUMULATOR PISTON AND SPRING

ITEM	PART NUMBER	QTY	LINE	SERIES	BODY	ENGINE	TRANS	TRIM	DESCRIPTION
1	01942486	1	B, T				DGD		SNAP RING
2	03743014	1	B, T				DGD		SEAL, Kickdown Servo
3	01942485	1	B, T				DGD		GUIDE, Kickdown Servo
4	01942485	1							SPRING, Kickdown Servo Piston, (NOT SERVICED)
5	06025031	1	B, T				DGD		SNAP RING, 1.205 OD
6	04058943	1	B, T				DGD		ROD, Kickdown Servo Piston
7	04295965	1	B, T				DGD		SEAL, Kickdown Servo
8	04058942	1	B, T				DGD		PISTON, Kickdown Servo
9	06031410	1	B, T				DGD		O RING, Trans Kickdown Servo
10	02464464	1	B, T				DGD		SNAP RING
11	02464463	1	B, T				DGD		RETAINER, Transmission Rear Clutch
12	02801274	1	B, T				DGD		SPRING, Reverse Servo Piston
13	52118741	1	B, T				DGD		PLUG, Reverse Servo Piston
14	03743580	1	B, T				DGD		SPRING, Reverse Servo Piston
15	04202864	1	B, T				DGD		SEAL, Reverse Servo Piston
16	52118744	1	B, T				DGD		PISTON, Reverse Servo
17	06027153	1	B, T				DGD		SNAP RING, .435 ID
18	04531259	1	B, T				DGD		SPRING, Transmission Accumulator
19	03743013	1	B, T				DGD		SEAL, Piston Accumulator
20	03743650	1	B, T				DGD		PISTON, Accumulator
21	03743010	1	B, T				DGD		SEAL, Piston Accumulator
22	01636470	1	B, T				DGD		SEAL, Servo Piston

Notes:

DGD = 30 RH 3 Speed Automatic Transmission
EP0 = All 2.5L 4 Cylinder Gas Engines

CHEROKEE (XJ)

SERIES LINE
H = Sport T = JEEP - 2WD
L = SE B = JEEP - 2WD (RHD)
P = Classic J = JEEP - 4WD
S = Limited U = JEEP - 4WD (RHD)

BODY
74 = 4 Dr (101.4WB)
72 = 2 Dr (101.4WB)

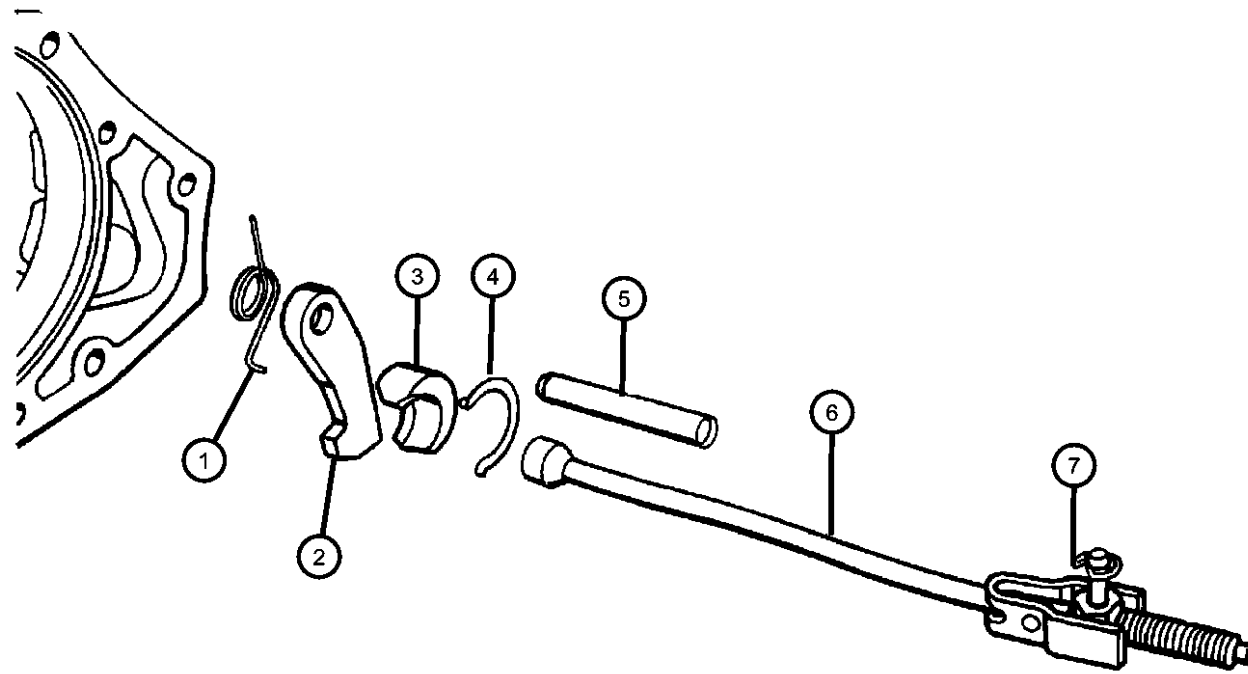
ENGINE
ENC = ENGINE - 2.5L 4 CYL
TURBO DIESEL
EPE = ENGINE - 2.5L POWER
TECH I-4 Cyl.
ERH = ENGINE - 4.0L
POWER TECH I-6

TRANSMISSION
DDD = TRANSMISSION - 5-SPEED
HD MANUAL
DDQ = TRANSMISSION - 5-SPEED
MANUAL
DGD = TRANSMISSION - 3-SPD.
AUTOMATIC,30RH
DGK = TRANSMISSION - 4-SPD.
AUTOMATIC,42RE
DGS = TRANSMISSION-4SPD.
AUTO,AISIN WARNER
DGT = TRANSMISSION - 4-SPD.
AUTOMATIC,46RE
DGW = TRANSMISSION - 4-SPD.
AUTOMATIC,44RE
DGX = TRANSMISSION - 4-SPEED
AUTOMATIC
DBB = ALL MANUAL
TRANSMISSIONS
DGO = ALL AUTOMATIC
TRANSMISSIONS

AR = use ase required - = Non illustrated part

2000 XJ

**Parking Sprag 30RH (DGD)
Figure 30RH-730**



ITEM	PART NUMBER	QTY	LINE	SERIES	BODY	ENGINE	TRANS	TRIM	DESCRIPTION
------	-------------	-----	------	--------	------	--------	-------	------	-------------

Notes:

DGD = 30 RH 3 Speed Automatic Transmission

1	02466909	1	B, T				DGD		SPRING, Parking Sprag
2	04471415	1	B, T				DGD		SPRAG, Transmission Parking
3	02538042	1	B, T				DGD		PLUG, Parking Sprag
4	02538034	1	B, T				DGD		SNAP RING, Transmission
5	02466892	1	B, T				DGD		SHAFT, Parking Sprag
6	02466906	1	B, T				DGD		ROD, Parking Sprag
7	06035256	1	B, T				DGD		SNAP RING, Rod

CHEROKEE (XJ)

SERIES	LINE	BODY	ENGINE	TRANSMISSION
H = Sport	T = JEEP - 2WD	74 = 4 Dr (101.4WB)	ENC = ENGINE - 2.5L 4 CYL TURBO DIESEL	DDD = TRANSMISSION - 5-SPEED HD MANUAL
L = SE	B = JEEP - 2WD (RHD)	72 = 2 Dr (101.4WB)	EPE = ENGINE - 2.5L POWER TECH I-4 Cyl.	DDQ = TRANSMISSION - 5-SPEED MANUAL
P = Classic	J = JEEP - 4WD		ERH = ENGINE - 4.0L POWER TECH I-6	DGD = TRANSMISSION - 3-SPD. AUTOMATIC,30RH
S = Limited	U = JEEP - 4WD (RHD)			DGK = TRANSMISSION - 4-SPD. AUTOMATIC,42RE
				DGS = TRANSMISSION-4SPD. AUTO,AISIN WARNER
				DGT = TRANSMISSION - 4-SPD. AUTOMATIC,46RE
				DGW = TRANSMISSION - 4-SPD. AUTOMATIC,44RE
				DGX = TRANSMISSION - 4-SPEED AUTOMATIC
				DBB = ALL MANUAL TRANSMISSIONS
				DGO = ALL AUTOMATIC TRANSMISSIONS

AR = use ase required - = Non illustrated part

2000 XJ

**Gearshift Controls 30RH (DGD)
Figure 30RH-1210**

ITEM	PART NUMBER	QTY	LINE	SERIES	BODY	ENGINE	TRANS	TRIM	DESCRIPTION
------	-------------	-----	------	--------	------	--------	-------	------	-------------

Notes:
 DGO = All Automatic Transmissions
 DGD = 30 RH 3 Speed Automatic Transmission
 EP0 = All 2.5L 4 Cylinder Gas Engines
 ER0 = All 4.0L 6 Cylinder Gas Engines

1	52104028	1				EP0, ER0	DGO		HANDLE, Gearshift
2	53000211	1				EP0, ER0	DGO		BUTTON, Gearshift Knob
3	53000865	1				EP0, ER0	DGO		LEVER, Gearshift
4	53000866	1				EP0, ER0	DGO		SPRING, Button Return
5	52077561	1				EP0, ER0	DGO		CAP, Gearshift Handle Button
6	52077561	1							SCREW, Hex Head, M8x1.25x18, (NOT SERVICED)
7	5GC36LAZAB	1	B, U				DGD		BEZEL, Console PRNDL
8	52104144AB	1	B, U			EP0, ER0	DGO		CABLE, Park Interlock
9	52104144AB	1							SEAL, Shift Housing, (NOT SERVICED)
10	52104007AB	1	B, U				DGO		HOUSING, Shift Lever
11	52077532AC	1					DGO		CABLE, Gearshift Control
12	53000704	1					DGO		COVER, Gearshift
13	J4001701	AR							SCREW, Hex Self Tapping, .19-16x.50
14	04641780	1	J, U						STRAP, Tie
15	52078380	1				EP0	DGD		BRACKET, Transmission Control Cable
16	52078380	1							BOLT, Square neck, Header Point .437-14x1.25, (NOT SERVICED)
17	03681227	1	B, T				DGD		LEVER, Throttle Valve
18	J4004005	1				EP0	DGD		NUT, Hex, .437-14

CHEROKEE (XJ)

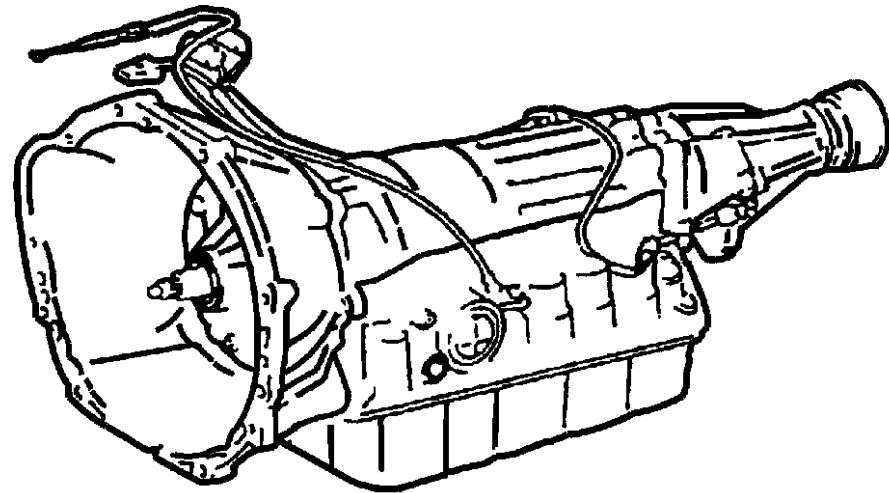
SERIES	LINE	BODY	ENGINE	TRANSMISSION
H = Sport	T = JEEP - 2WD	74 = 4 Dr (101.4WB)	ENC = ENGINE - 2.5L 4 CYL TURBO DIESEL	DDD = TRANSMISSION - 5-SPEED HD MANUAL
L = SE	B = JEEP - 2WD (RHD)	72 = 2 Dr (101.4WB)	EPE = ENGINE - 2.5L POWER TECH I-4 Cyl.	DDQ = TRANSMISSION - 5-SPEED MANUAL
P = Classic	J = JEEP - 4WD		ERH = ENGINE - 4.0L POWER TECH I-6	DGD = TRANSMISSION - 3-SPD. AUTOMATIC,30RH
S = Limited	U = JEEP - 4WD (RHD)			DGK = TRANSMISSION - 4-SPD. AUTOMATIC,42RE
				DGS = TRANSMISSION-4SPD. AUTO,AISIN WARNER
				DGT = TRANSMISSION - 4-SPD. AUTOMATIC,46RE
				DGW = TRANSMISSION - 4-SPD. AUTOMATIC,44RE
				DGX = TRANSMISSION - 4-SPEED AUTOMATIC
				DBB = ALL MANUAL TRANSMISSIONS
				DGO = ALL AUTOMATIC TRANSMISSIONS

AR = use ase required - = Non illustrated part

2000 XJ

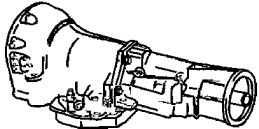
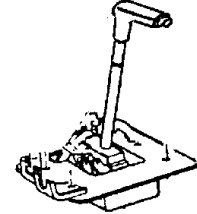
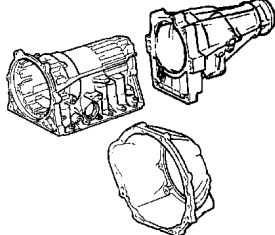

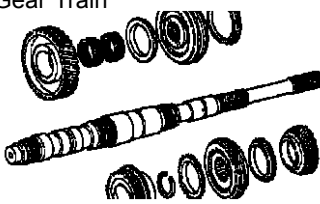
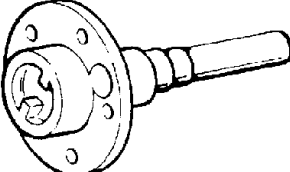
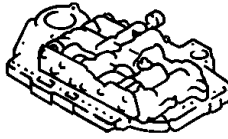
Group - AW4

Automatic Transmission 4 Speed



Group - AW4 Automatic Transmission 4 Speed

Illustration Title	Group-Fig. No.
Transmission Assembly	
Transmission AW4 (DGS)	Fig. AW4 - 110
Case and Extension	
Case and Related Parts AW4 (DGS)	Fig. AW4 - 210
Linkage AW4 (DGS)	Fig. AW4 - 220
Oil Pump	
Oil Pump AW4 (DGS).....	Fig. AW4 - 310
Gear Train	
Overdrive Clutch AW4 (DGS)	Fig. AW4 - 410
Clutches, Forward and Direct AW4 (DGS)	Fig. AW4 - 420
Clutch and Sun Gear AW4 (DGS)	Fig. AW4 - 430
Gear Train AW4 (DGS)	Fig. AW4 - 440
Bands, Reverse and Kickdown	
Bands AW4 (DGS)	Fig. AW4 - 510
Valve Body	
Valve Body AW4 (DGS).....	Fig. AW4 - 710
Accumulator Piston AW4 (DGS)	Fig. AW4 - 720
Lock, Parking AW4 (DGS).....	Fig. AW4 - 730
Gearshift Controls	
Gearshift Controls AW4 (DGS).....	Fig. AW4 - 1210

AW4-100 Transmission Assembly 	AW4-1200 Gearshift Controls 	AW4-200 Case and Extension 	AW4-300 Oil Pump 
AW4-400 Gear Train 	AW4-500 Bands, Reverse and Kickdown 	AW4-700 Valve Body 	

**Transmission AW4 (DGS)
Figure AW4-110**

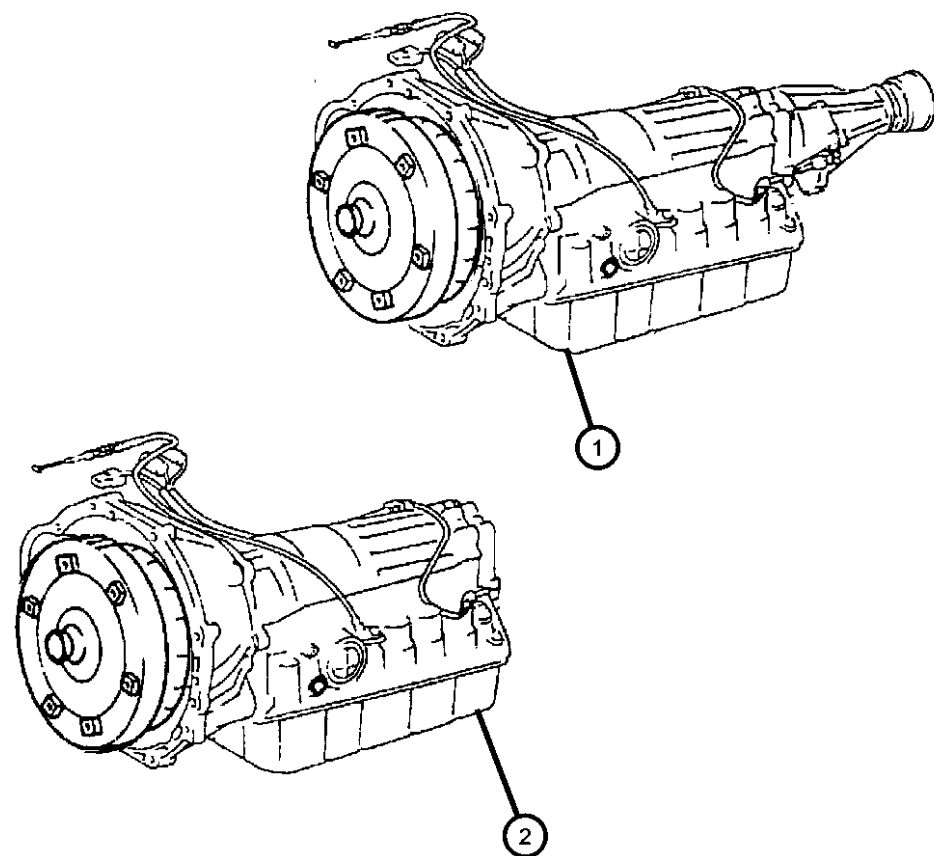
ITEM	PART NUMBER	QTY	LINE	SERIES	BODY	ENGINE	TRANS	TRIM	DESCRIPTION
------	-------------	-----	------	--------	------	--------	-------	------	-------------

Notes:

ER0 = All 4.0L 6 Cylinder Gas Engines

DGS = Aisin Warner 4 Speed Automatic Transmission

1	52104180AD	1	B, T			ER0	DGS		TRANSMISSION
2	52104210AC	1	J, U				DGS		TRANSMISSION



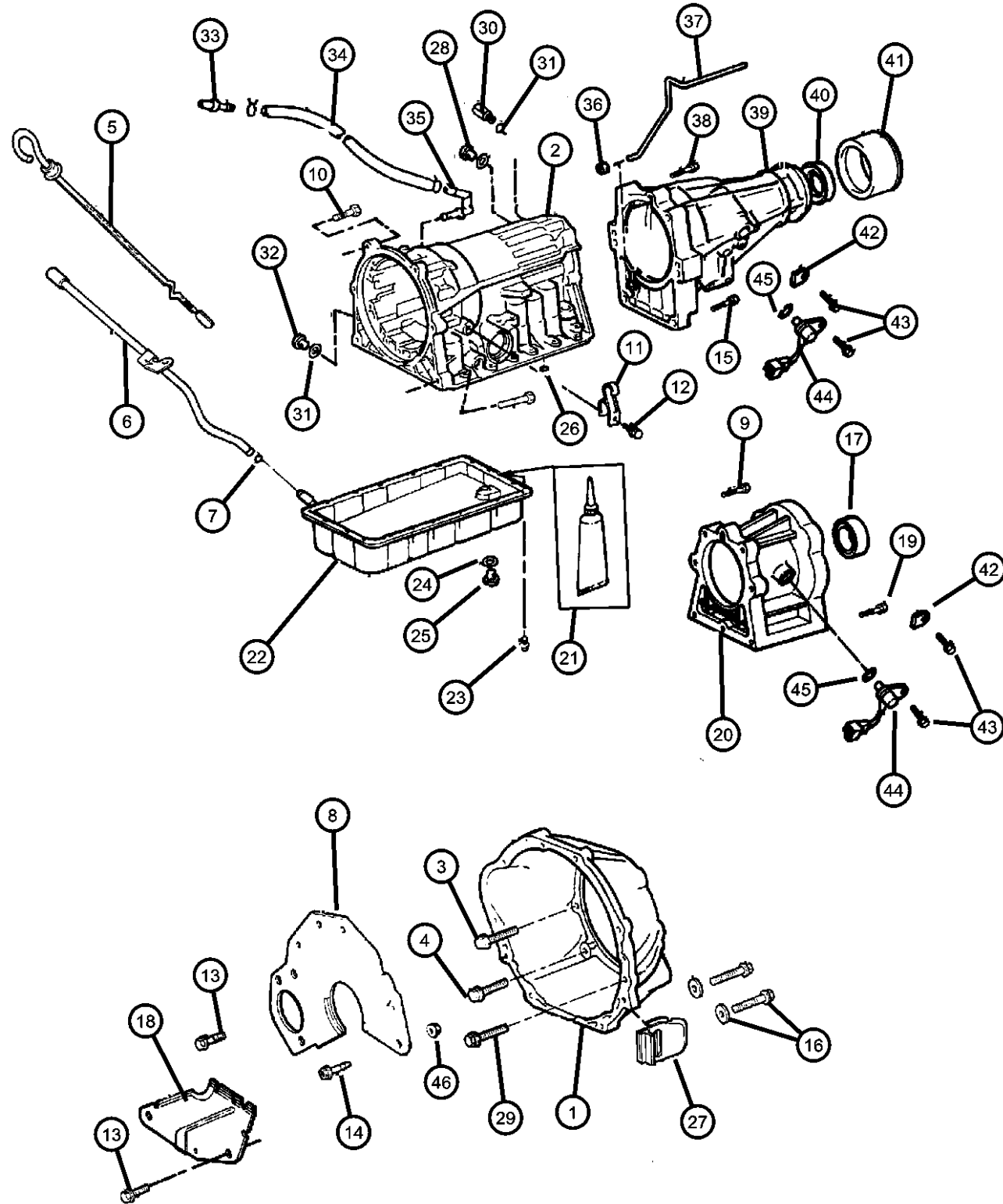
CHEROKEE (XJ)

SERIES	LINE	BODY	ENGINE	TRANSMISSION
H = Sport	T = JEEP - 2WD	74 = 4 Dr (101.4WB)	ENC = ENGINE - 2.5L 4 CYL TURBO DIESEL	DDD = TRANSMISSION - 5-SPEED HD MANUAL
L = SE	B = JEEP - 2WD (RHD)	72 = 2 Dr (101.4WB)	EPE = ENGINE - 2.5L POWER TECH I-4 Cyl.	DDQ = TRANSMISSION - 5-SPEED MANUAL
P = Classic	J = JEEP - 4WD		ERH = ENGINE - 4.0L POWER TECH I-6	DGD = TRANSMISSION - 3-SPD. AUTOMATIC,30RH
S = Limited	U = JEEP - 4WD (RHD)			DGK = TRANSMISSION - 4-SPD. AUTOMATIC,42RE
				DGS = TRANSMISSION-4SPD. AUTO,AISIN WARNER
				DGT = TRANSMISSION - 4-SPD. AUTOMATIC,46RE
				DGW = TRANSMISSION - 4-SPD. AUTOMATIC,44RE
				DGX = TRANSMISSION - 4-SPEED AUTOMATIC
				DBB = ALL MANUAL TRANSMISSIONS
				DGO = ALL AUTOMATIC TRANSMISSIONS

AR = use ase required - = Non illustrated part

2000 XJ

Case and Related Parts AW4 (DGS)
Figure AW4-210



ITEM	PART NUMBER	QTY	LINE	SERIES	BODY	ENGINE	TRANS	TRIM	DESCRIPTION
------	-------------	-----	------	--------	------	--------	-------	------	-------------

Notes:
ER0 = All 4.0l 6 Cylinder Gas Engines
DG0 = All Automatic Transmissions
DGS = Aisin Warner 4 Speed Automatic Transmission

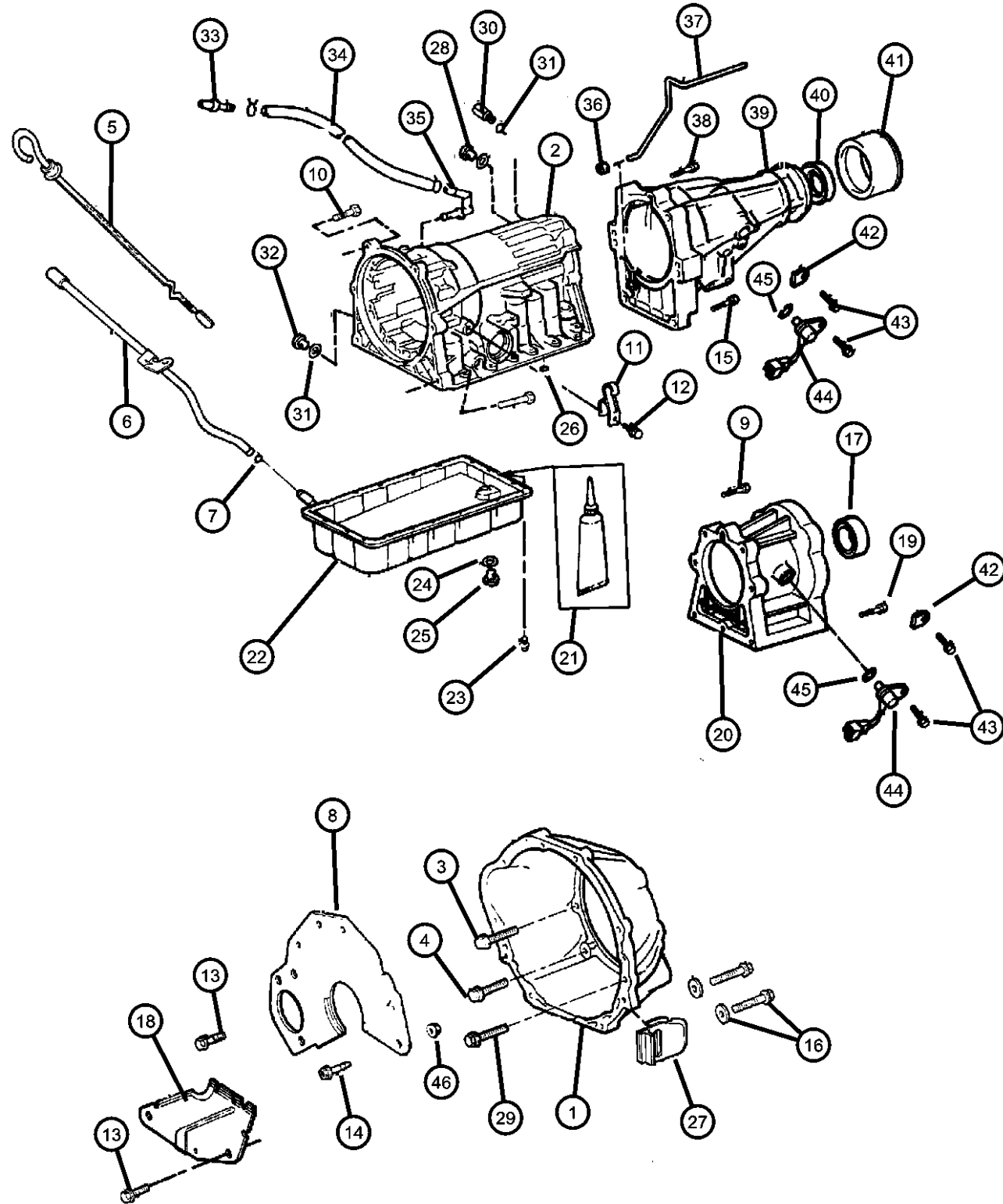
1	83504062	1	B, T			ER0	DGS		HOUSING, Torque Converter
		1	J, U				DGS		
2	04897731AA	1	J, U				DGS		CASE, Transmission
		1	B, T			ER0	DGS		
3	83503747	4	J, U				DGS		BOLT, M10x1.50x35
		4	B, T			ER0	DGS		
4	83503746	1	J, U				DGS		BOLT
		1	B, T			ER0	DGS		
5	52104146	1				ER0	DG0		INDICATOR, Transmission Fluid Level
6	53002870AB	1				ER0	DG0		TUBE, Filler
7	53003977	1				ER0	DG0		O RING, Indicator Tube Oil Level, Transmission
8	53004907AB	1				ER0	DG0		COVER, Converter
9	04637494	2	J, U				DGS		BOLT, M10x1.5x100
10									BOLT AND WASHER, M8x16
	83503711	1	B, T			ER0	DGS		
		1	J, U				DGS		
11									CLAMP, Transmission

CHEROKEE (XJ)

SERIES	LINE	BODY	ENGINE	TRANSMISSION
H = Sport	T = JEEP - 2WD	74 = 4 Dr (101.4WB)	ENC = ENGINE - 2.5L 4 CYL TURBO DIESEL	DDD = TRANSMISSION - 5-SPEED HD MANUAL
L = SE	B = JEEP - 2WD (RHD)	72 = 2 Dr (101.4WB)	EPE = ENGINE - 2.5L POWER TECH I-4 Cyl.	DDQ = TRANSMISSION - 5-SPEED MANUAL
P = Classic	J = JEEP - 4WD		ERH = ENGINE - 4.0L POWER TECH I-6	DGD = TRANSMISSION - 3-SPD. AUTOMATIC,30RH
S = Limited	U = JEEP - 4WD (RHD)			DGK = TRANSMISSION - 4-SPD. AUTOMATIC,42RE
				DGS = TRANSMISSION-4SPD. AUTO,AISIN WARNER
				DGT = TRANSMISSION - 4-SPD. AUTOMATIC,46RE
				DGW = TRANSMISSION - 4-SPD. AUTOMATIC,44RE
				DGX = TRANSMISSION - 4-SPEED AUTOMATIC
				DBB = ALL MANUAL TRANSMISSIONS
				DGO = ALL AUTOMATIC TRANSMISSIONS

AR = use ase required - = Non illustrated part

Case and Related Parts AW4 (DGS)
Figure AW4-210



ITEM	PART NUMBER	QTY	LINE	SERIES	BODY	ENGINE	TRANS	TRIM	DESCRIPTION
	83503715	1	J, U				DGS		
		1	B, T			ER0	DGS		
12	83503746	1	B, T			ER0	DGS		BOLT
		1	J, U				DGS		
13	11502850	4				ER0	DG0		BOLT, Hex Flange Head, M8x1.25x20
14	11504922	2				ER0	DG0		BOLT, Hex Head, M12x1.75x50
15	04637492	3	B, T			ER0	DGS		BOLT, Transmission Case
16	04637492	3							BOLT AND WASHER, M10x1.5, (NOT SERVICED)
17									SEAL, Transmission Case
	83504048	1	B, T			ER0	DGS		
	83504055	1	J, U				DGS		
18	52118078AB	1				ER0	DG0		COVER, Transmission Dust
19	04637495	5	J, U				DGS		BOLT AND WASHER, M10x1.5x4
20	04897739AA	1	J, U				DGS		ADAPTER, Transmission
21	05010428AA	1	B, T			ER0	DGS		GASKET, Sealant
22									PAN, Transmission Oil
	83504037	1	J, U				DGS		
		1	B, T			ER0	DGS		
23									BOLT, Oil Pan
	04637548	19	J, U				DGS		
		19	B, T			ER0	DGS		
24									GASKET, Drain Plug
	83504040	1	J, U				DGS		

CHEROKEE (XJ)

SERIES

H = Sport
L = SE
P = Classic
S = Limited

LINE

T = JEEP - 2WD
B = JEEP - 2WD (RHD)
J = JEEP - 4WD
U = JEEP - 4WD (RHD)

BODY

74 = 4 Dr (101.4WB)
72 = 2 Dr (101.4WB)

ENGINE

ENC = ENGINE - 2.5L 4 CYL TURBO DIESEL
EPE = ENGINE - 2.5L POWER TECH I-4 Cyl.
ERH = ENGINE - 4.0L POWER TECH I-6

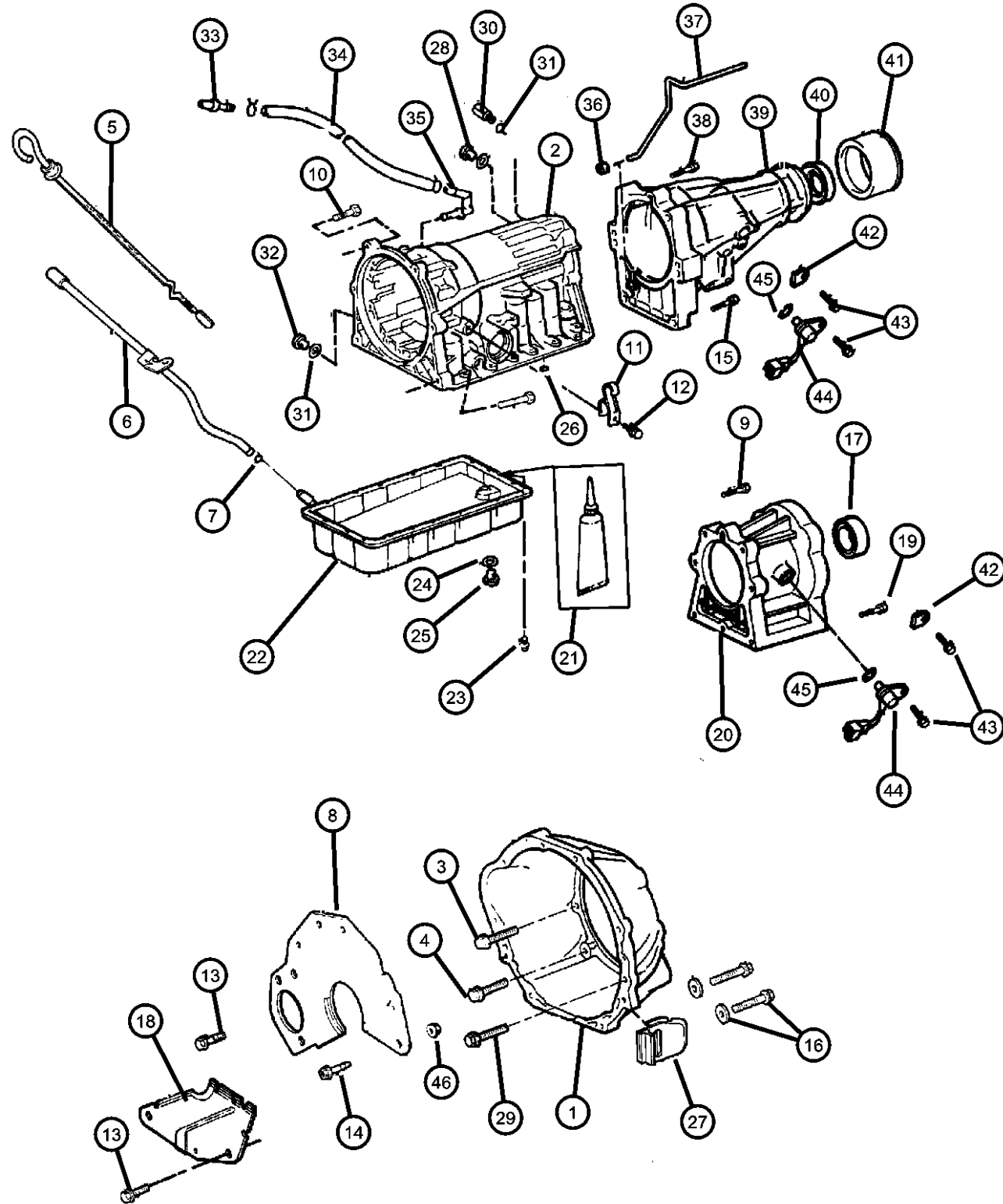
TRANSMISSION

DDD = TRANSMISSION - 5-SPEED HD MANUAL
DDQ = TRANSMISSION - 5-SPEED MANUAL
DGD = TRANSMISSION - 3-SPD. AUTOMATIC,30RH
DGK = TRANSMISSION - 4-SPD. AUTOMATIC,42RE
DGS = TRANSMISSION-4SPD. AUTO,AISIN WARNER
DGT = TRANSMISSION - 4-SPD. AUTOMATIC,46RE
DGW = TRANSMISSION - 4-SPD. AUTOMATIC,44RE
DGX = TRANSMISSION - 4-SPEED AUTOMATIC
DBB = ALL MANUAL TRANSMISSIONS
DGO = ALL AUTOMATIC TRANSMISSIONS

AR = use ase required - = Non illustrated part

2000 XJ

Case and Related Parts AW4 (DGS)
Figure AW4-210



ITEM	PART NUMBER	QTY	LINE	SERIES	BODY	ENGINE	TRANS	TRIM	DESCRIPTION
25		1	B, T			ER0	DGS		PLUG, Transmission
	83504041	1	J, U				DGS		
26		1	B, T			ER0	DGS		SEAL, Transmission
	05252444	1	J, U				DGS		
27	52117660	1	B, T			ER0	DGS		
28	83503749	2	B, T			ER0	DGS		GROMMET, Timing Probe PLUG, Transmission Case
29		1	J, U				DGS		BOLT
	04637491	1	B, T			ER0	DGS		
30		2	J, U				DGS		UNION, Transmission Oil Cooler
	83503728	2	B, T			ER0	DGS		
31		2	J, U				DGS		O RING, Oil Cooler
	83503727	2	B, T			ER0	DGS		
32		2	J, U				DGS		PLUG, Transmission Case
	83503749	2	B, T			ER0	DGS		
33		2	J, U				DGS		BREATHER, Transmission
	83503729	1	B, T			ER0	DGS		
	83503737	1	J, U				DGS		
34	83503720	1	J, U				DGS		HOSE, Transmission Vent

CHEROKEE (XJ)

SERIES LINE
H = Sport T = JEEP - 2WD
L = SE B = JEEP - 2WD (RHD)
P = Classic J = JEEP - 4WD
S = Limited U = JEEP - 4WD (RHD)

BODY
74 = 4 Dr (101.4WB)
72 = 2 Dr (101.4WB)

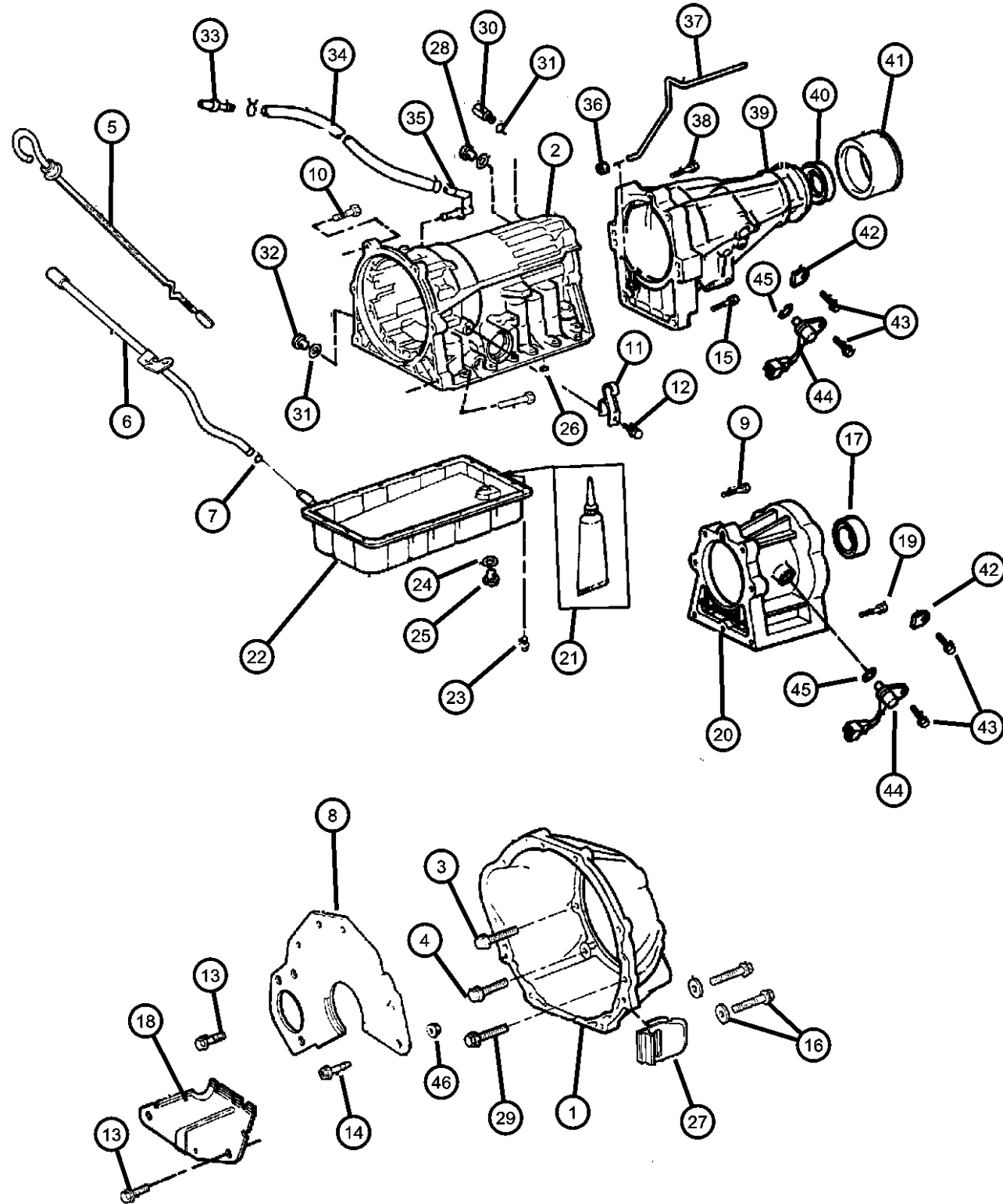
ENGINE
ENC = ENGINE - 2.5L 4 CYL
TURBO DIESEL
EPE = ENGINE - 2.5L POWER
TECH I-4 Cyl.
ERH = ENGINE - 4.0L
POWER TECH I-6

TRANSMISSION
DDD = TRANSMISSION - 5-SPEED
HD MANUAL
DDQ = TRANSMISSION - 5-SPEED
MANUAL
DGD = TRANSMISSION - 3-SPD.
AUTOMATIC,30RH
DGK = TRANSMISSION - 4-SPD.
AUTOMATIC,42RE
DGS = TRANSMISSION-4SPD.
AUTO,AISIN WARNER
DGT = TRANSMISSION - 4-SPD.
AUTOMATIC,46RE
DGW = TRANSMISSION - 4-SPD.
AUTOMATIC,44RE
DGX = TRANSMISSION - 4-SPEED
AUTOMATIC
DBB = ALL MANUAL
TRANSMISSIONS
DGO = ALL AUTOMATIC
TRANSMISSIONS

AR = use ase required - = Non illustrated part

2000 XJ

Case and Related Parts AW4 (DGS)
Figure AW4-210



ITEM	PART NUMBER	QTY	LINE	SERIES	BODY	ENGINE	TRANS	TRIM	DESCRIPTION
35	04897739AA	1	J, U				DGS		ADAPTER, Transmission
36	83504052	1	B, T			ER0	DGS		SEAL, Transmission Vent Tube, Valve Body
37	83504334	2	J, U				DGS		
		2	B, T			ER0	DGS		
38	04637493	4	B, T			ER0	DGS		BOLT AND WASHER, M10x1.5
39	04897736AB	1	B, T			ER0	DGS		CASE, Transmission Rear
40	83504048	1	B, T			ER0	DGS		SEAL, Transmission Case
	83504055	1	J, U				DGS		
41	83504050	1	B, T			ER0	DGS		DEFLECTOR, Transfer Case Dust Plate, Retaining
42	83503717	1	J, U				DGS		
		1	B, T			ER0	DGS		
43	34201808	AR	J, U				DGS		SCREW AND CONED WASHER, Hex Head, M6x1.00x16.00
		AR	B, T			ER0	DGS		
44	04897734AA	2	J, U				DGS		SENSOR, Vehicle Speed
		2	B, T			ER0	DGS		
45	05010301AA	1	J, U				DGS		O RING, Trans Speedo Adapter
		1	B, T			ER0	DGS		
46	06502697	2				ER0			NUT, Hex Flange Lock, M12x1.75

CHEROKEE (XJ)

SERIES LINE
H = Sport T = JEEP - 2WD
L = SE B = JEEP - 2WD (RHD)
P = Classic J = JEEP - 4WD
S = Limited U = JEEP - 4WD (RHD)

BODY
74 = 4 Dr (101.4WB)
72 = 2 Dr (101.4WB)

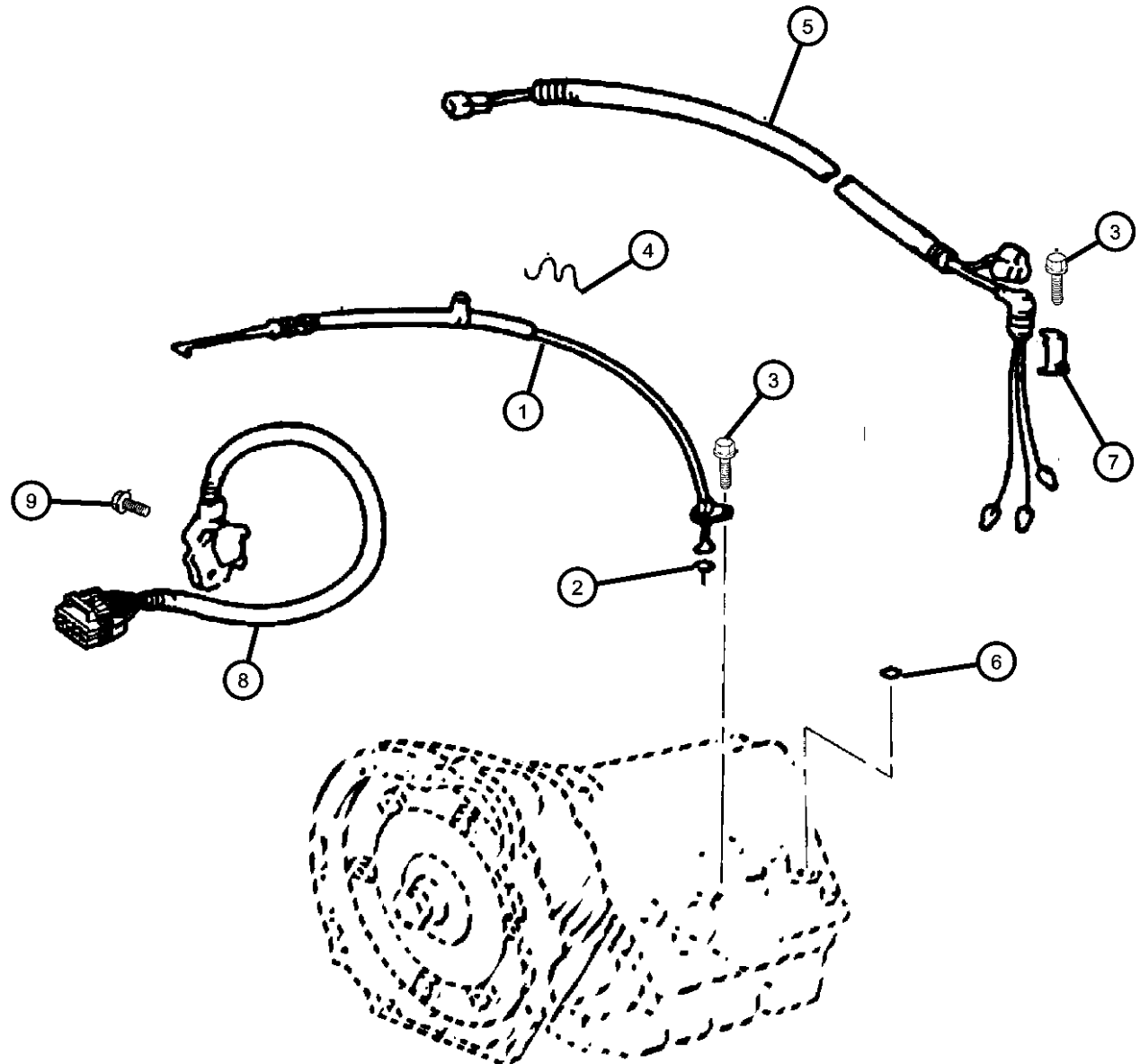
ENGINE
ENC = ENGINE - 2.5L 4 CYL TURBO DIESEL
EPE = ENGINE - 2.5L POWER TECH I-4 Cyl.
ERH = ENGINE - 4.0L POWER TECH I-6

TRANSMISSION
DDD = TRANSMISSION - 5-SPEED HD MANUAL
DDQ = TRANSMISSION - 5-SPEED MANUAL
DGD = TRANSMISSION - 3-SPD. AUTOMATIC,30RH
DGK = TRANSMISSION - 4-SPD. AUTOMATIC,42RE
DGS = TRANSMISSION-4SPD. AUTO,AISIN WARNER
DGT = TRANSMISSION - 4-SPD. AUTOMATIC,46RE
DGW = TRANSMISSION - 4-SPD. AUTOMATIC,44RE
DGX = TRANSMISSION - 4-SPEED AUTOMATIC
DBB = ALL MANUAL TRANSMISSIONS
DGO = ALL AUTOMATIC TRANSMISSIONS

AR = use ase required - = Non illustrated part

2000 XJ

Linkage AW4 (DGS)
Figure AW4-220



ITEM	PART NUMBER	QTY	LINE	SERIES	BODY	ENGINE	TRANS	TRIM	DESCRIPTION
------	-------------	-----	------	--------	------	--------	-------	------	-------------

Notes:

ER0 = All 4.0l 6 Cylinder Gas Engines
DGS = Aisin Warner 4 Speed Automatic Transmission

1	52077578	1	B, T			ER0	DGS		CABLE, Throttle Control
		1	J, U				DGS		
2	83503708	1	J, U				DGS		O RING, Throttle Cable
		1	B, T			ER0	DGS		
3	34201808	AR	B, T			ER0	DGS		SCREW AND CONED WASHER, Hex Head, M6x1.00x16.00
		1	J, U				DGS		
4	83503710	1	J, U				DGS		RETAINER, Throttle Cable Retention
		1	B, T			ER0	DGS		
5	04897742AA	1	J, U				DGS		HARNES, Valve Body Solenoid
		1	B, T			ER0	DGS		
6	83503719	1	J, U				DGS		O RING, Solenoid Connector Seal, Transmission
		1	B, T			ER0	DGS		
7	83503717	1	J, U				DGS		PLATE, Retaining
		1	B, T			ER0	DGS		
8									SWITCH, Neutral, Safety, Back Up

CHEROKEE (XJ)

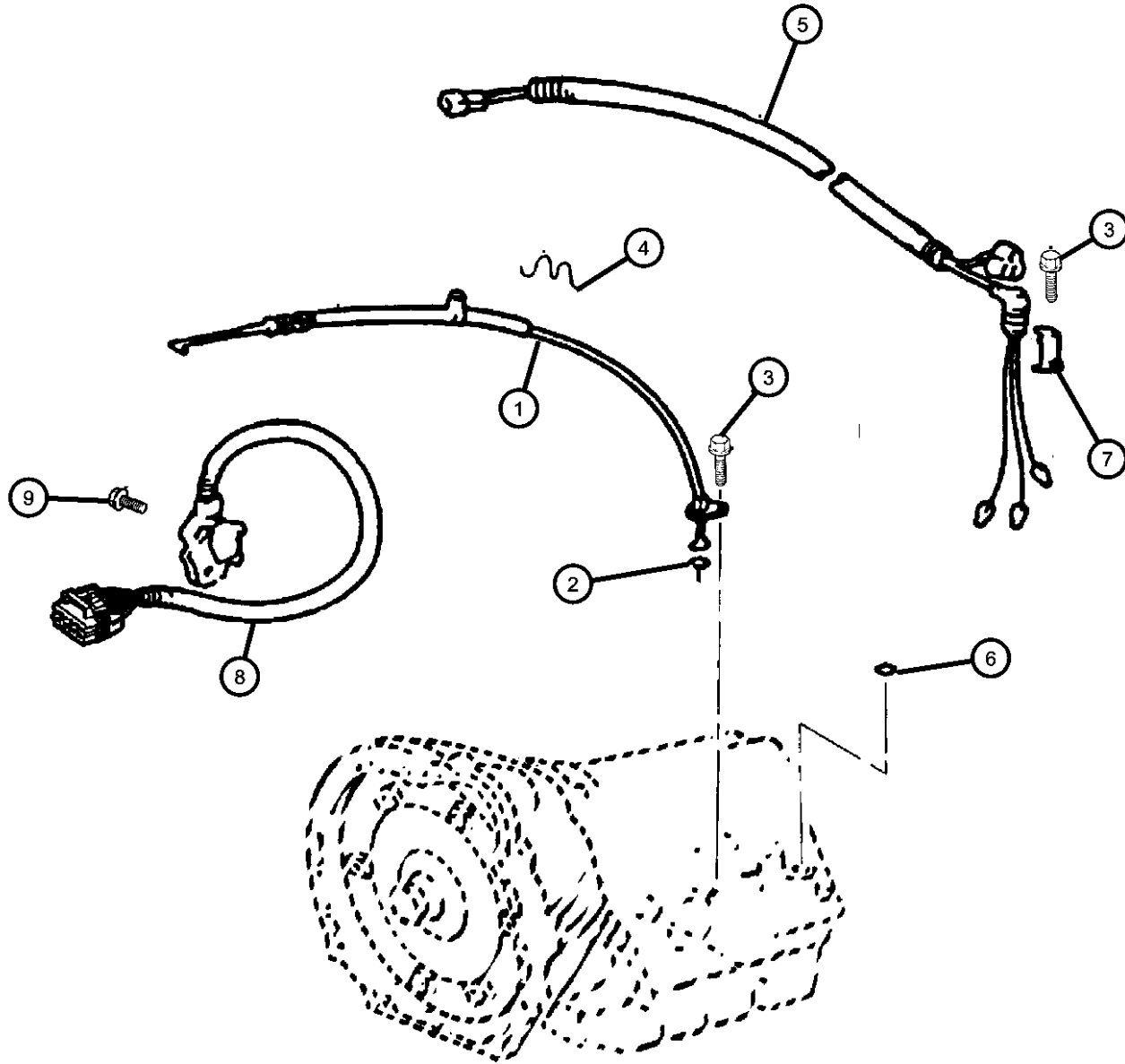
SERIES	LINE	BODY	ENGINE	TRANSMISSION
H = Sport	T = JEEP - 2WD	74 = 4 Dr (101.4WB)	ENC = ENGINE - 2.5L 4 CYL TURBO DIESEL	DDD = TRANSMISSION - 5-SPEED HD MANUAL
L = SE	B = JEEP - 2WD (RHD)	72 = 2 Dr (101.4WB)	EPE = ENGINE - 2.5L POWER TECH I-4 Cyl.	DDQ = TRANSMISSION - 5-SPEED MANUAL
P = Classic	J = JEEP - 4WD		ERH = ENGINE - 4.0L POWER TECH I-6	DGD = TRANSMISSION - 3-SPD. AUTOMATIC,30RH
S = Limited	U = JEEP - 4WD (RHD)			DGK = TRANSMISSION - 4-SPD. AUTOMATIC,42RE
				DGS = TRANSMISSION-4SPD. AUTO,AISIN WARNER
				DGT = TRANSMISSION - 4-SPD. AUTOMATIC,46RE
				DGW = TRANSMISSION - 4-SPD. AUTOMATIC,44RE
				DGX = TRANSMISSION - 4-SPEED AUTOMATIC
				DBB = ALL MANUAL TRANSMISSIONS
				DGO = ALL AUTOMATIC TRANSMISSIONS

AR = use ase required - = Non illustrated part

2000 XJ

Linkage AW4 (DGS)
Figure AW4-220

ITEM	PART NUMBER	QTY	LINE	SERIES	BODY	ENGINE	TRANS	TRIM	DESCRIPTION
	04882173	1	J, U				DGS		
		1	B, T			ER0	DGS		
9	83503714	1	J, U				DGS		BOLT, M8x1.25x30
		1	B, T			ER0	DGS		



CHEROKEE (XJ)

SERIES

H = Sport
L = SE
P = Classic
S = Limited

LINE

T = JEEP - 2WD
B = JEEP - 2WD (RHD)
J = JEEP - 4WD
U = JEEP - 4WD (RHD)

BODY

74 = 4 Dr (101.4WB)
72 = 2 Dr (101.4WB)

ENGINE

ENC = ENGINE - 2.5L 4 CYL
TURBO DIESEL
EPE = ENGINE - 2.5L POWER
TECH I-4 Cyl.
ERH = ENGINE - 4.0L
POWER TECH I-6

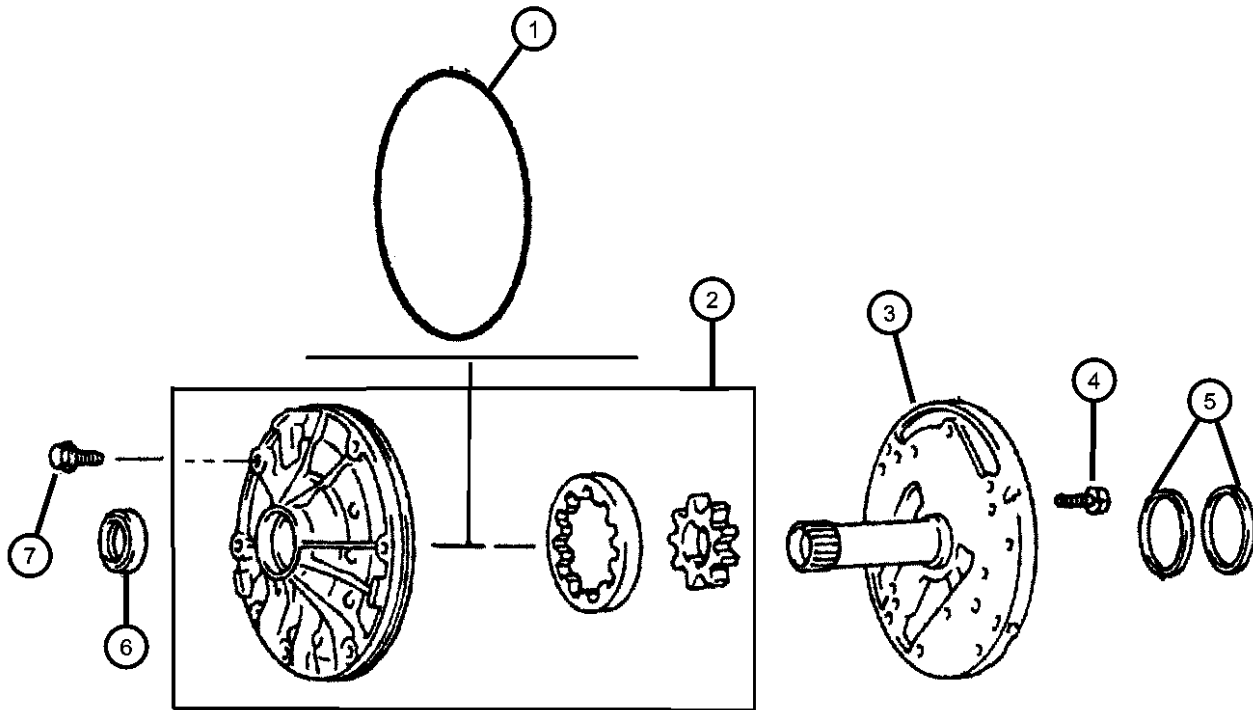
TRANSMISSION

DDD = TRANSMISSION - 5-SPEED
HD MANUAL
DDQ = TRANSMISSION - 5-SPEED
MANUAL
DGD = TRANSMISSION - 3-SPD.
AUTOMATIC,30RH
DGK = TRANSMISSION - 4-SPD.
AUTOMATIC,42RE
DGS = TRANSMISSION-4SPD.
AUTO,AISIN WARNER
DGT = TRANSMISSION - 4-SPD.
AUTOMATIC,46RE
DGW = TRANSMISSION - 4-SPD.
AUTOMATIC,44RE
DGX = TRANSMISSION - 4-SPEED
AUTOMATIC
DBB = ALL MANUAL
TRANSMISSIONS
DGO = ALL AUTOMATIC
TRANSMISSIONS

AR = use ase required - = Non illustrated part

2000 XJ

**Oil Pump AW4 (DGS)
Figure AW4-310**



ITEM	PART NUMBER	QTY	LINE	SERIES	BODY	ENGINE	TRANS	TRIM	DESCRIPTION
1									O RING, Transmission Pump Assy
	83503758	1	J, U				DGS		
		1	B, T			ER0	DGS		
2									HOUSING, Pump
	83504283	1	J, U				DGS		
		1	B, T			ER0	DGS		
3									STATOR, Support
	04626166	1	J, U				DGS		
		1	B, T			ER0	DGS		
4									BOLT AND WASHER, Hex Head, M6x1.0x16
	04626167	13	J, U				DGS		
		13	B, T			ER0	DGS		
5									SEAL, Pump Reaction Shaft
	83503757	2	J, U				DGS		
		4	B, T			ER0	DGS		
6									SEAL, Transmission Oil Pump
	83503752	1	J, U				DGS		
		1	B, T			ER0	DGS		
7									BOLT
	83503759	7	J, U				DGS		
		7	B, T			ER0	DGS		

CHEROKEE (XJ)

SERIES

H = Sport
L = SE
P = Classic
S = Limited

LINE

T = JEEP - 2WD
B = JEEP - 2WD (RHD)
J = JEEP - 4WD
U = JEEP - 4WD (RHD)

BODY

74 = 4 Dr (101.4WB)
72 = 2 Dr (101.4WB)

ENGINE

ENC = ENGINE - 2.5L 4 CYL TURBO DIESEL
EPE = ENGINE - 2.5L POWER TECH I-4 Cyl.
ERH = ENGINE - 4.0L POWER TECH I-6

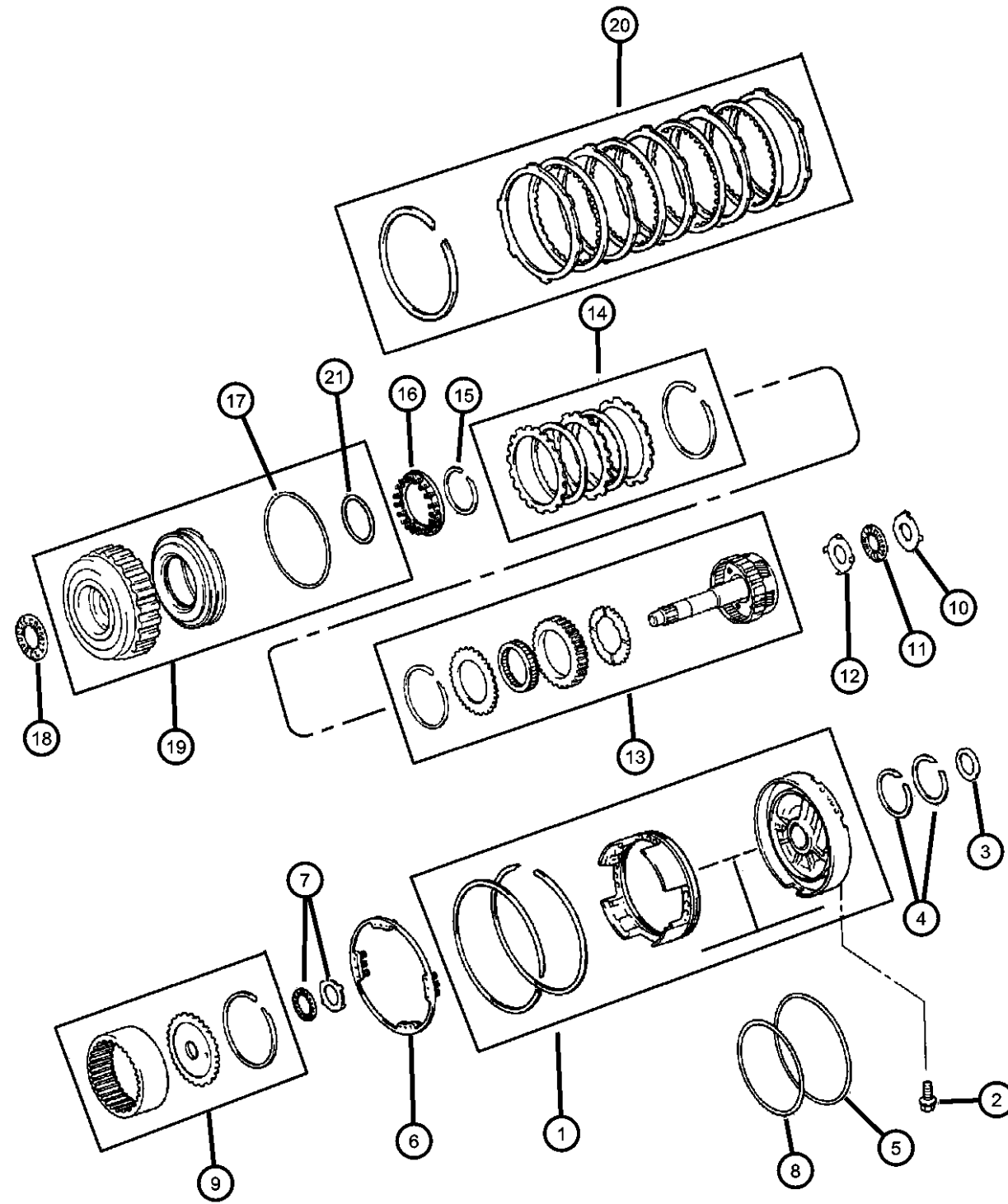
TRANSMISSION

DDD = TRANSMISSION - 5-SPEED HD MANUAL
DDQ = TRANSMISSION - 5-SPEED MANUAL
DGD = TRANSMISSION - 3-SPD. AUTOMATIC,30RH
DGK = TRANSMISSION - 4-SPD. AUTOMATIC,42RE
DGS = TRANSMISSION-4SPD. AUTO,AISIN WARNER
DGT = TRANSMISSION - 4-SPD. AUTOMATIC,46RE
DGW = TRANSMISSION - 4-SPD. AUTOMATIC,44RE
DGX = TRANSMISSION - 4-SPEED AUTOMATIC
DBB = ALL MANUAL TRANSMISSIONS
DGO = ALL AUTOMATIC TRANSMISSIONS

AR = use ase required - = Non illustrated part

2000 XJ

**Overdrive Clutch AW4 (DGS)
Figure AW4-410**



ITEM	PART NUMBER	QTY	LINE	SERIES	BODY	ENGINE	TRANS	TRIM	DESCRIPTION
------	-------------	-----	------	--------	------	--------	-------	------	-------------

Notes:
ER0 = All 4.0l 6 Cylinder Gas Engines
DGS = Aisin Warner 4 Speed Automatic Transmission

1									OVERDRIVE PACKAGE, Support and Piston
	05016293AA	1	B, T			ER0	DGS		
		1	J, U				DGS		
2									BOLT, Overdrive Support
	04796568	2	J, U				DGS		
		2	B, T			ER0	DGS		
3									RACE, Thrust Bearing
	83503801	1	J, U				DGS		
		1	B, T			ER0	DGS		
4									SEAL, Pump Reaction Shaft
	83503757	2	J, U				DGS		
		4	B, T			ER0	DGS		
5									O RING, O/Drive Support Outer, Transmission
	04636782	1	J, U				DGS		
		1	B, T			ER0	DGS		
6									SPRING, Overdrive Brake Return
	05011234AA	1	J, U				DGS		
		1	B, T			ER0	DGS		
7									THRUST BEARING PACKAGE, Overdrive
	04637023	1	J, U				DGS		
		1	B, T			ER0	DGS		

CHEROKEE (XJ)

SERIES LINE
H = Sport T = JEEP - 2WD
L = SE B = JEEP - 2WD (RHD)
P = Classic J = JEEP - 4WD
S = Limited U = JEEP - 4WD (RHD)

BODY
74 = 4 Dr (101.4WB)
72 = 2 Dr (101.4WB)

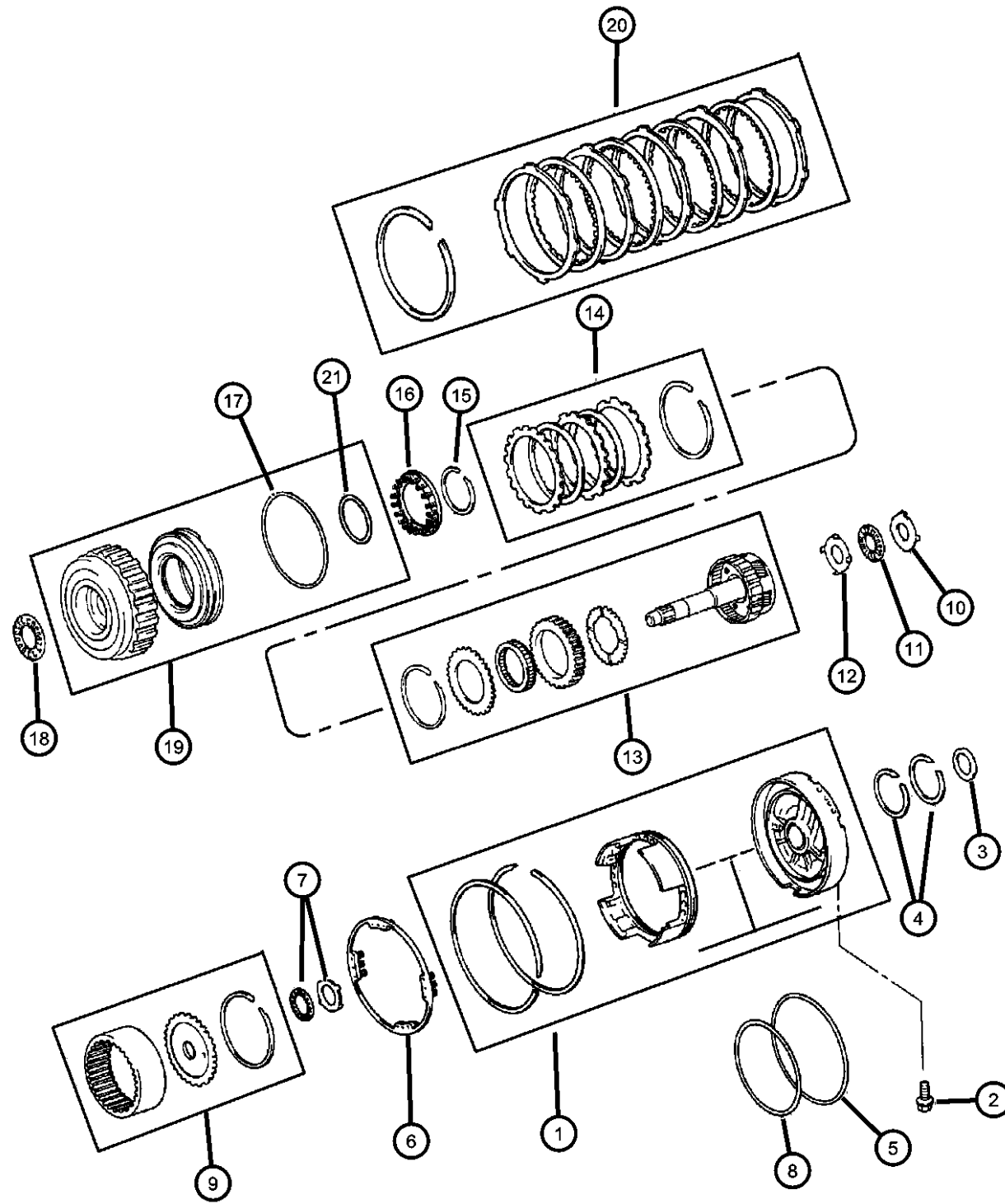
ENGINE
ENC = ENGINE - 2.5L 4 CYL TURBO DIESEL
EPE = ENGINE - 2.5L POWER TECH I-4 Cyl.
ERH = ENGINE - 4.0L POWER TECH I-6

TRANSMISSION
DDD = TRANSMISSION - 5-SPEED HD MANUAL
DDQ = TRANSMISSION - 5-SPEED MANUAL
DGD = TRANSMISSION - 3-SPD. AUTOMATIC,30RH
DGK = TRANSMISSION - 4-SPD. AUTOMATIC,42RE
DGS = TRANSMISSION-4SPD. AUTO,AISIN WARNER
DGT = TRANSMISSION - 4-SPD. AUTOMATIC,46RE
DGW = TRANSMISSION - 4-SPD. AUTOMATIC,44RE
DGX = TRANSMISSION - 4-SPEED AUTOMATIC
DBB = ALL MANUAL TRANSMISSIONS
DGO = ALL AUTOMATIC TRANSMISSIONS

AR = use ase required - = Non illustrated part

2000 XJ

**Overdrive Clutch AW4 (DGS)
Figure AW4-410**



ITEM	PART NUMBER	QTY	LINE	SERIES	BODY	ENGINE	TRANS	TRIM	DESCRIPTION
8	04636783	1	J, U				DGS		O RING, O/Drive Support Inner, Transmission
9	04886128AA	1	B, T			ER0	DGS		GEAR PACKAGE, Planetary Overdrive
10	83503916	1	J, U				DGS		RACE, Thrust Bearing
11	83503802	1	B, T			ER0	DGS		THRUST BEARING
12	83503915	1	J, U				DGS		RACE, Thrust Bearing
13	04637024	1	B, T			ER0	DGS		GEAR PACKAGE, Planetary Overdrive
14	04886043AA	1	J, U				DGS		CLUTCH PACKAGE, Direct Clutch
15	83503810	1	B, T			ER0	DGS		SNAP RING

CHEROKEE (XJ)

SERIES LINE
H = Sport T = JEEP - 2WD
L = SE B = JEEP - 2WD (RHD)
P = Classic J = JEEP - 4WD
S = Limited U = JEEP - 4WD (RHD)

BODY
74 = 4 Dr (101.4WB)
72 = 2 Dr (101.4WB)

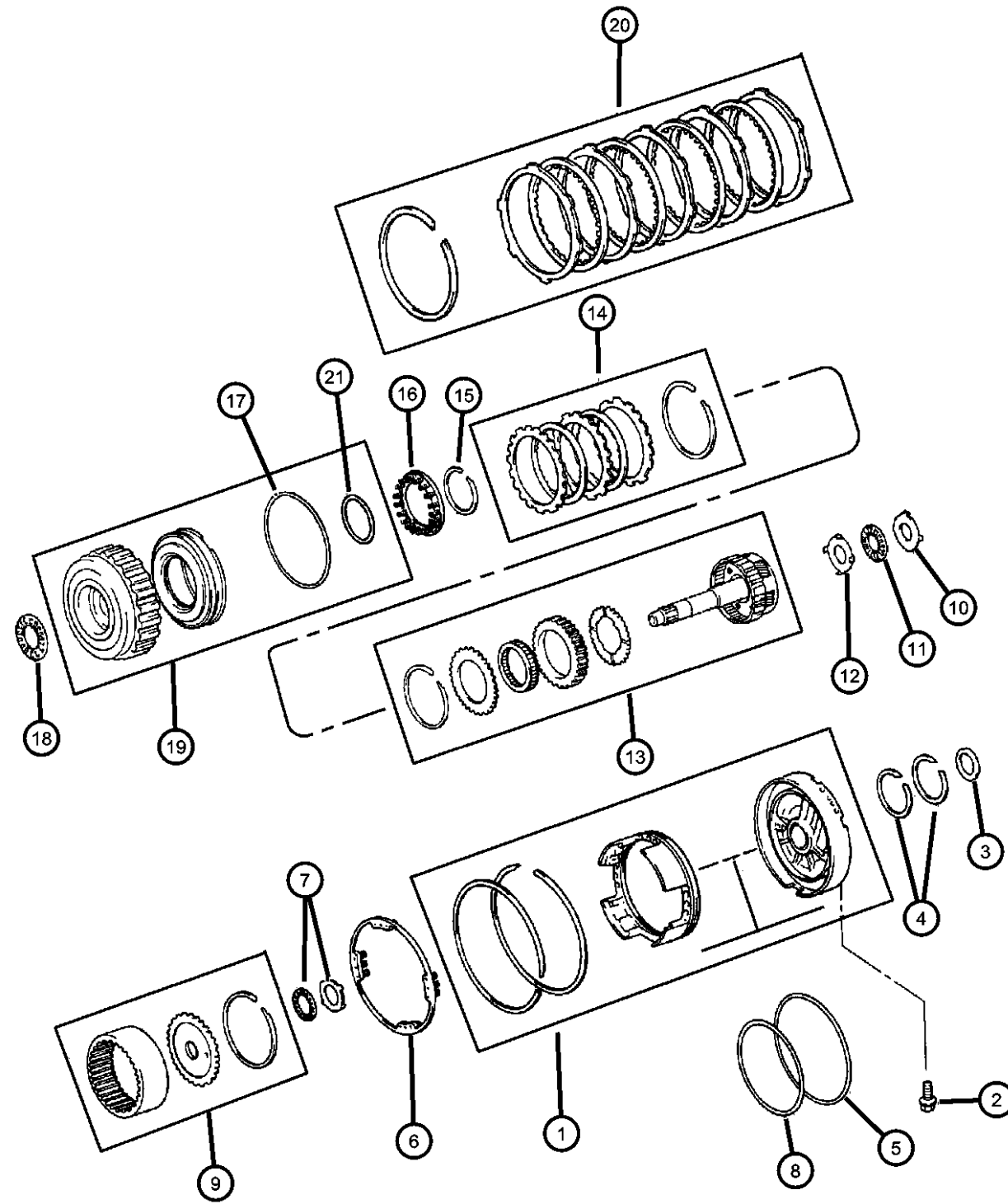
ENGINE
ENC = ENGINE - 2.5L 4 CYL TURBO DIESEL
EPE = ENGINE - 2.5L POWER TECH I-4 Cyl.
ERH = ENGINE - 4.0L POWER TECH I-6

TRANSMISSION
DDD = TRANSMISSION - 5-SPEED HD MANUAL
DDQ = TRANSMISSION - 5-SPEED MANUAL
DGD = TRANSMISSION - 3-SPD. AUTOMATIC,30RH
DGK = TRANSMISSION - 4-SPD. AUTOMATIC,42RE
DGS = TRANSMISSION-4SPD. AUTO,AISIN WARNER
DGT = TRANSMISSION - 4-SPD. AUTOMATIC,46RE
DGW = TRANSMISSION - 4-SPD. AUTOMATIC,44RE
DGX = TRANSMISSION - 4-SPEED AUTOMATIC
DBB = ALL MANUAL TRANSMISSIONS
DGO = ALL AUTOMATIC TRANSMISSIONS

AR = use ase required - = Non illustrated part

2000 XJ

**Overdrive Clutch AW4 (DGS)
Figure AW4-410**



ITEM	PART NUMBER	QTY	LINE	SERIES	BODY	ENGINE	TRANS	TRIM	DESCRIPTION
16		1	B, T			ER0	DGS		SPRING, Piston Return
	83503928	1	J, U				DGS		
17		1	B, T			ER0	DGS		O RING, Transmission Clutch Piston Outer
	83503926	1	J, U				DGS		
18		1							BEARING, (NOT SERVICED)
19		1							DRUM PACKAGE, Transmission
	04637025AB	1	J, U				DGS		
20		1	B, T			ER0	DGS		DISC AND PLATE PACKAGE
	04883921AA	1	J, U				DGS		
	04886126AA	1	B, T			ER0	DGS		
21		1	J, U				DGS		O RING, Transmission Clutch Piston Inner
	83503811	1	B, T			ER0	DGS		

CHEROKEE (XJ)

SERIES LINE
H = Sport T = JEEP - 2WD
L = SE B = JEEP - 2WD (RHD)
P = Classic J = JEEP - 4WD
S = Limited U = JEEP - 4WD (RHD)

BODY
74 = 4 Dr (101.4WB)
72 = 2 Dr (101.4WB)

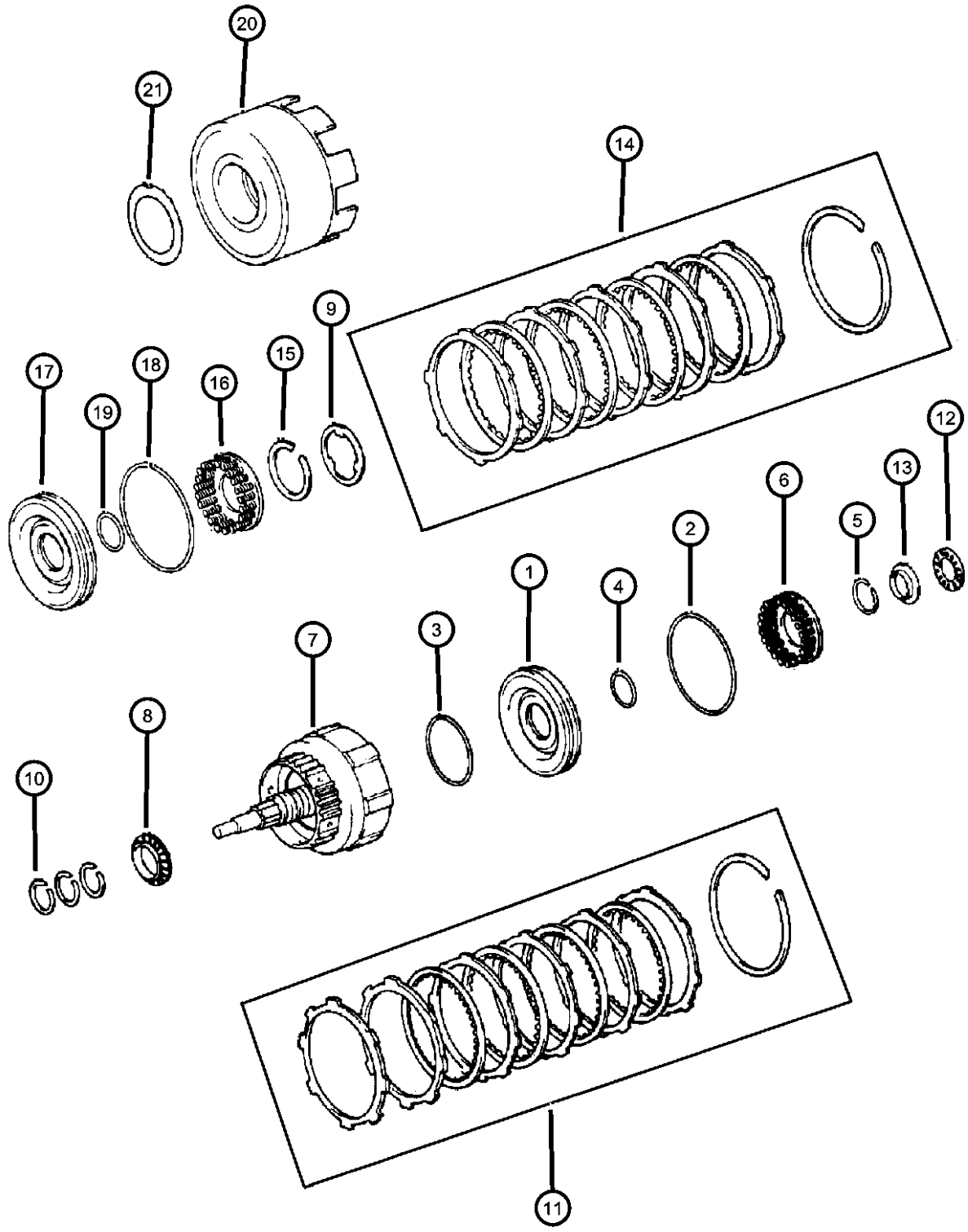
ENGINE
ENC = ENGINE - 2.5L 4 CYL TURBO DIESEL
EPE = ENGINE - 2.5L POWER TECH I-4 Cyl.
ERH = ENGINE - 4.0L POWER TECH I-6

TRANSMISSION
DDD = TRANSMISSION - 5-SPEED HD MANUAL
DDQ = TRANSMISSION - 5-SPEED MANUAL
DGD = TRANSMISSION - 3-SPD. AUTOMATIC,30RH
DGK = TRANSMISSION - 4-SPD. AUTOMATIC,42RE
DGS = TRANSMISSION-4SPD. AUTO,AISIN WARNER
DGT = TRANSMISSION - 4-SPD. AUTOMATIC,46RE
DGW = TRANSMISSION - 4-SPD. AUTOMATIC,44RE
DGX = TRANSMISSION - 4-SPEED AUTOMATIC
DBB = ALL MANUAL TRANSMISSIONS
DGO = ALL AUTOMATIC TRANSMISSIONS

AR = use ase required - = Non illustrated part

2000 XJ

**Clutches, Forward and Direct AW4 (DGS)
Figure AW4-420**



ITEM	PART NUMBER	QTY	LINE	SERIES	BODY	ENGINE	TRANS	TRIM	DESCRIPTION
------	-------------	-----	------	--------	------	--------	-------	------	-------------

Notes:
ER0 = All 4.0l 6 Cylinder Gas Engines
DGS = Aisin Warner 4 Speed Automatic Transmission

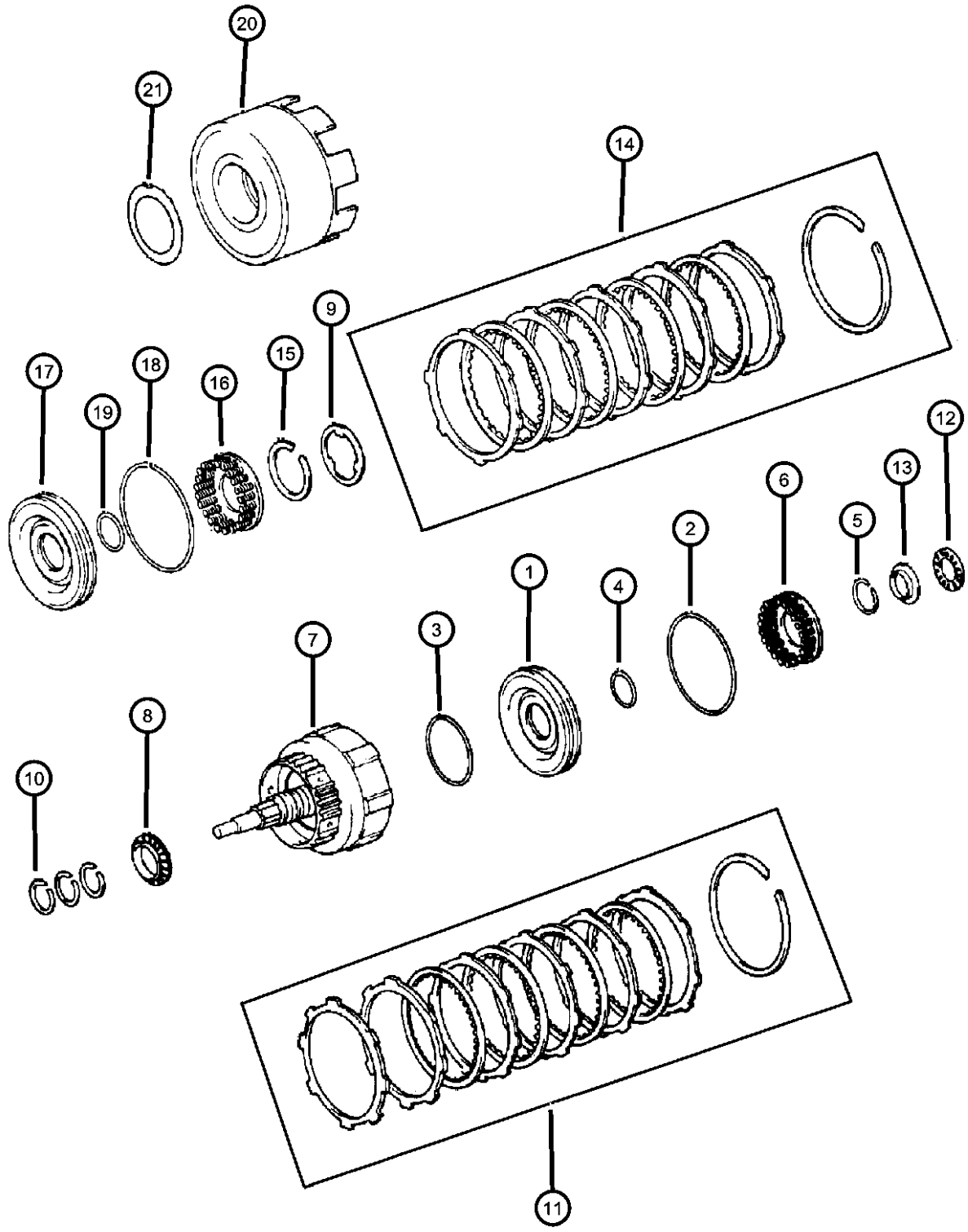
1	04636683	1	J, U				DGS		PISTON, Clutch
		1	B, T			ER0	DGS		
2	04637006	1	J, U				DGS		O RING, Transmission Clutch
		1	B, T			ER0	DGS		
3	04626170	1	J, U				DGS		O RING, Transmission Clutch
		1	B, T			ER0	DGS		
4	04626170	1	J, U				DGS		O RING, Transmission Clutch
	04626176	1	B, T			ER0	DGS		
5	83503792	1	J, U				DGS		SNAP RING
		1	B, T			ER0	DGS		
6	83503793	1	J, U				DGS		SPRING, Clutch
		1	B, T			ER0	DGS		
7	04626169	1	J, U				DGS		INPUT SHAFT, Transmission
		1	B, T			ER0	DGS		
8	83503785	1	J, U				DGS		BEARING, Forward Clutch

CHEROKEE (XJ)

SERIES	LINE	BODY	ENGINE	TRANSMISSION
H = Sport	T = JEEP - 2WD	74 = 4 Dr (101.4WB)	ENC = ENGINE - 2.5L 4 CYL TURBO DIESEL	DDD = TRANSMISSION - 5-SPEED HD MANUAL
L = SE	B = JEEP - 2WD (RHD)	72 = 2 Dr (101.4WB)	EPE = ENGINE - 2.5L POWER TECH I-4 Cyl.	DDQ = TRANSMISSION - 5-SPEED MANUAL
P = Classic	J = JEEP - 4WD		ERH = ENGINE - 4.0L POWER TECH I-6	DGD = TRANSMISSION - 3-SPD. AUTOMATIC,30RH
S = Limited	U = JEEP - 4WD (RHD)			DGK = TRANSMISSION - 4-SPD. AUTOMATIC,42RE
				DGS = TRANSMISSION-4SPD. AUTO,AISIN WARNER
				DGT = TRANSMISSION - 4-SPD. AUTOMATIC,46RE
				DGW = TRANSMISSION - 4-SPD. AUTOMATIC,44RE
				DGX = TRANSMISSION - 4-SPEED AUTOMATIC
				DBB = ALL MANUAL TRANSMISSIONS
				DGO = ALL AUTOMATIC TRANSMISSIONS

AR = use ase required - = Non illustrated part

**Clutches, Forward and Direct AW4 (DGS)
Figure AW4-420**



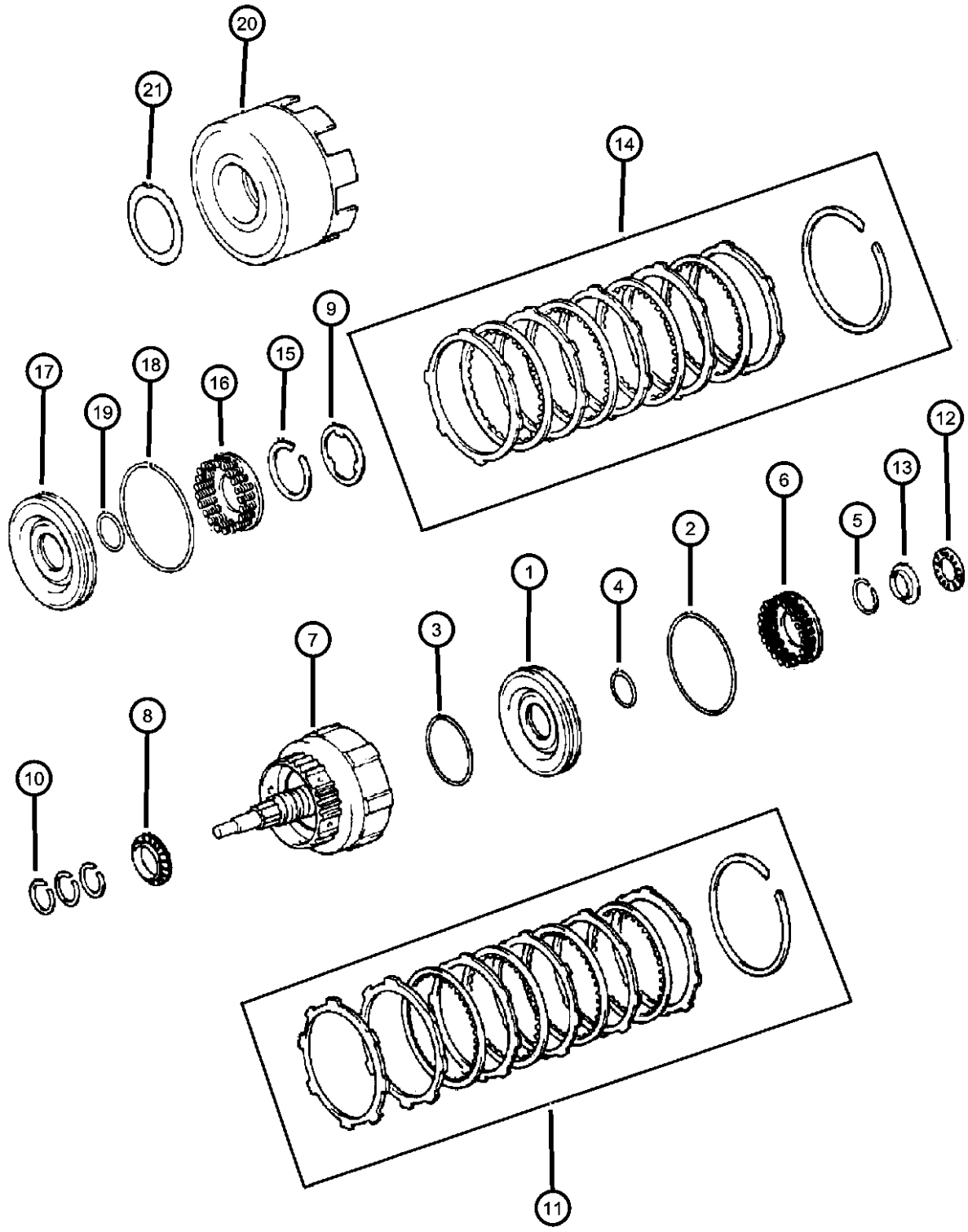
ITEM	PART NUMBER	QTY	LINE	SERIES	BODY	ENGINE	TRANS	TRIM	DESCRIPTION
9		1	B, T			ER0	DGS		THRUST WASHER, Direct Clutch
	83503825	1	J, U				DGS		
10		1	B, T			ER0	DGS		SEAL, Input Shaft
	83503799	3	J, U				DGS		
		3	B, T			ER0	DGS		
11		1	J, U				DGS		CLUTCH, Front
	04637022	1	J, U				DGS		
		1	B, T			ER0	DGS		
12		1	B, T			ER0	DGS		THRUST BEARING
	83503802	1	B, T			ER0	DGS		
		1	J, U				DGS		
13		1	J, U				DGS		RACE, Thrust Bearing
	83503800	1	J, U				DGS		
		1	B, T			ER0	DGS		52104180AB CLUTCH PACKAGE, Direct Clutch
14		1	B, T			ER0	DGS		
	04886043AA	1	J, U				DGS		
15		1	J, U				DGS		SNAP RING
	83503792	1	J, U				DGS		
		1	B, T			ER0	DGS		
16		1	J, U				DGS		SPRING, Clutch
	83503793	1	J, U				DGS		
		1	B, T			ER0	DGS		

CHEROKEE (XJ)

SERIES	LINE	BODY	ENGINE	TRANSMISSION
H = Sport	T = JEEP - 2WD	74 = 4 Dr (101.4WB)	ENC = ENGINE - 2.5L 4 CYL TURBO DIESEL	DDD = TRANSMISSION - 5-SPEED HD MANUAL
L = SE	B = JEEP - 2WD (RHD)	72 = 2 Dr (101.4WB)	EPE = ENGINE - 2.5L POWER TECH I-4 Cyl.	DDQ = TRANSMISSION - 5-SPEED MANUAL
P = Classic	J = JEEP - 4WD		ERH = ENGINE - 4.0L POWER TECH I-6	DGD = TRANSMISSION - 3-SPD. AUTOMATIC,30RH
S = Limited	U = JEEP - 4WD (RHD)			DGK = TRANSMISSION - 4-SPD. AUTOMATIC,42RE
				DGS = TRANSMISSION-4SPD. AUTO,AISIN WARNER
				DGT = TRANSMISSION - 4-SPD. AUTOMATIC,46RE
				DGW = TRANSMISSION - 4-SPD. AUTOMATIC,44RE
				DGX = TRANSMISSION - 4-SPEED AUTOMATIC
				DBB = ALL MANUAL TRANSMISSIONS
				DGO = ALL AUTOMATIC TRANSMISSIONS

AR = use ase required - = Non illustrated part

**Clutches, Forward and Direct AW4 (DGS)
Figure AW4-420**

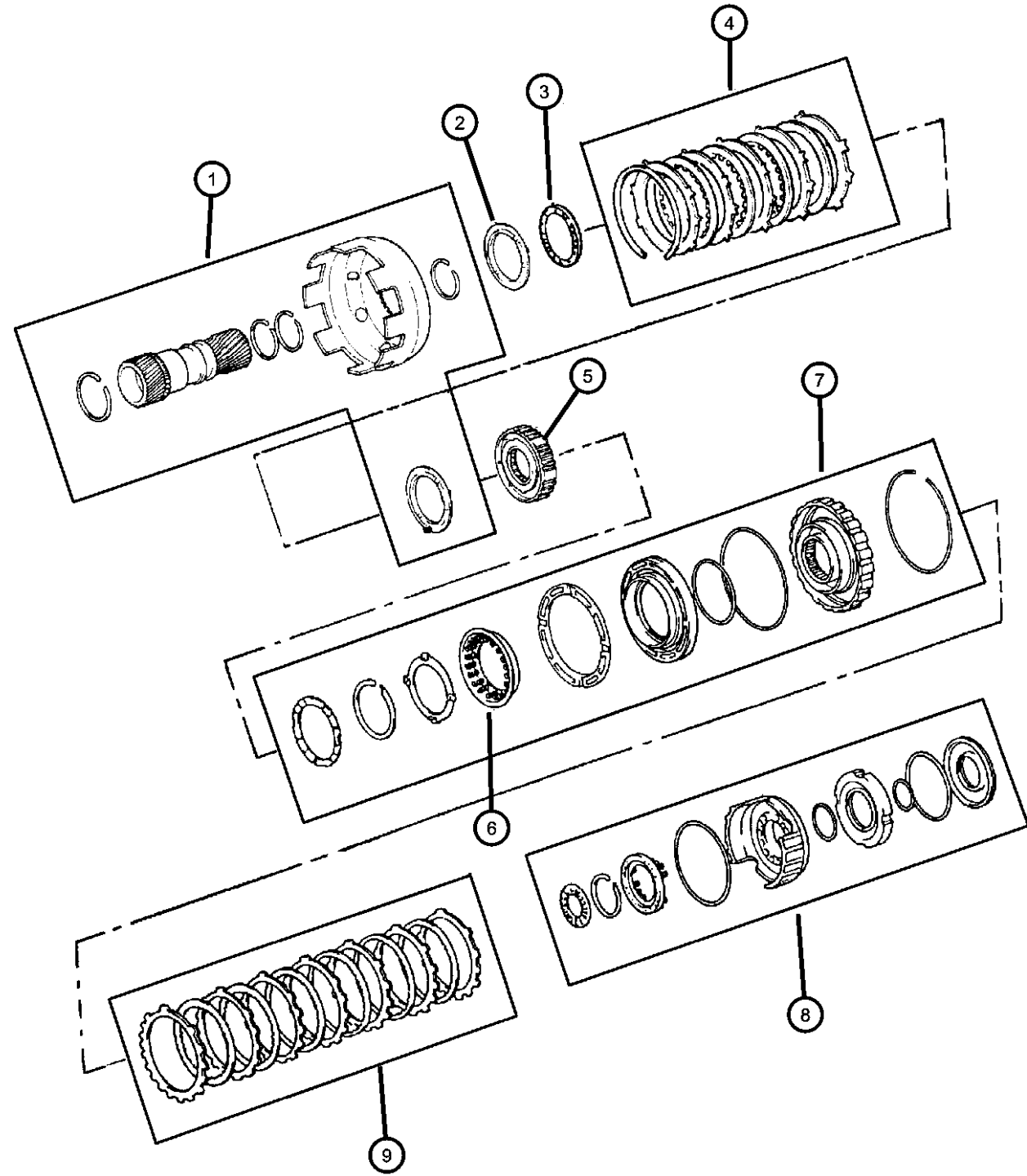


ITEM	PART NUMBER	QTY	LINE	SERIES	BODY	ENGINE	TRANS	TRIM	DESCRIPTION
17	04636683	1	J, U				DGS		PISTON, Clutch
18	04637006	1	B, T			ER0	DGS		O RING, Transmission Clutch
19	83503811	1	J, U				DGS		O RING, Transmission Clutch Piston Inner
20	04883917AA	1	B, T			ER0	DGS		52104180AB DRUM, Automatic Transmission
21		1	J, U				DGS		THRUST WASHER, Direct Clutch, (NOT SERVICED)

CHEROKEE (XJ)				
SERIES	LINE	BODY	ENGINE	TRANSMISSION
H = Sport	T = JEEP - 2WD	74 = 4 Dr (101.4WB)	ENC = ENGINE - 2.5L 4 CYL TURBO DIESEL	DDD = TRANSMISSION - 5-SPEED HD MANUAL
L = SE	B = JEEP - 2WD (RHD)	72 = 2 Dr (101.4WB)	EPE = ENGINE - 2.5L POWER TECH I-4 Cyl.	DDQ = TRANSMISSION - 5-SPEED MANUAL
P = Classic	J = JEEP - 4WD		ERH = ENGINE - 4.0L POWER TECH I-6	DGD = TRANSMISSION - 3-SPD. AUTOMATIC,30RH
S = Limited	U = JEEP - 4WD (RHD)			DGK = TRANSMISSION - 4-SPD. AUTOMATIC,42RE
				DGS = TRANSMISSION-4SPD. AUTO,AISIN WARNER
				DGT = TRANSMISSION - 4-SPD. AUTOMATIC,46RE
				DGW = TRANSMISSION - 4-SPD. AUTOMATIC,44RE
				DGX = TRANSMISSION - 4-SPEED AUTOMATIC
				DBB = ALL MANUAL TRANSMISSIONS
				DGO = ALL AUTOMATIC TRANSMISSIONS

AR = use ase required - = Non illustrated part

**Clutch and Sun Gear AW4 (DGS)
Figure AW4-430**



ITEM	PART NUMBER	QTY	LINE	SERIES	BODY	ENGINE	TRANS	TRIM	DESCRIPTION
------	-------------	-----	------	--------	------	--------	-------	------	-------------

Notes:
ER0 = All 4.0l 6 Cylinder Gas Engines
DGS = Aisin Warner 4 Speed Automatic Transmission

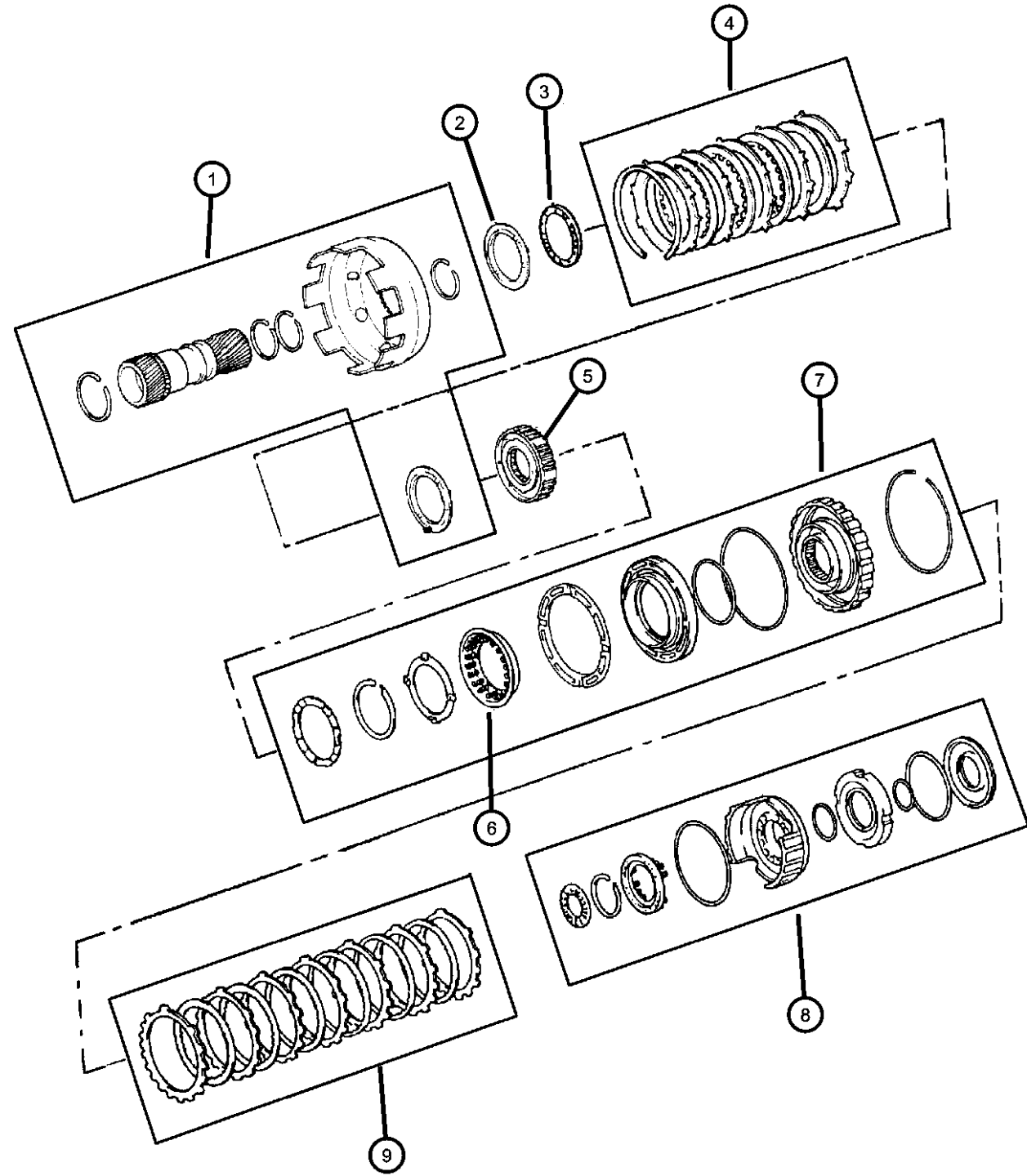
1	04637035	1	J, U				DGS		GEAR PACKAGE, Sun
		1	B, T			ER0	DGS		
2	83503872	1	J, U				DGS		RACE, Thrust Bearing
		1	B, T			ER0	DGS		
3	83503878	1	J, U				DGS		THRUST BEARING, Needle Roller
		1	B, T			ER0	DGS		
4	04886124AA	1	J, U				DGS		REPAIR PACKAGE, 2nd Brake Coast
		1	B, T			ER0	DGS		
5	04637008	1	J, U				DGS		CLUTCH, Overrunning
		1	B, T			ER0	DGS		
6	83503837	1	J, U				DGS		SPRING, Return 2nd Brake
		1	B, T			ER0	DGS		
7	04636979	1	J, U				DGS		REPAIR PACKAGE, 2nd Brake Coast
		1	B, T			ER0	DGS		
8									GEAR PACKAGE, First And Reverse

CHEROKEE (XJ)

SERIES	LINE	BODY	ENGINE	TRANSMISSION
H = Sport	T = JEEP - 2WD	74 = 4 Dr (101.4WB)	ENC = ENGINE - 2.5L 4 CYL TURBO DIESEL	DDD = TRANSMISSION - 5-SPEED HD MANUAL
L = SE	B = JEEP - 2WD (RHD)	72 = 2 Dr (101.4WB)	EPE = ENGINE - 2.5L POWER TECH I-4 Cyl.	DDQ = TRANSMISSION - 5-SPEED MANUAL
P = Classic	J = JEEP - 4WD		ERH = ENGINE - 4.0L POWER TECH I-6	DGD = TRANSMISSION - 3-SPD. AUTOMATIC,30RH
S = Limited	U = JEEP - 4WD (RHD)			DGK = TRANSMISSION - 4-SPD. AUTOMATIC,42RE
				DGS = TRANSMISSION-4SPD. AUTO,AISIN WARNER
				DGT = TRANSMISSION - 4-SPD. AUTOMATIC,46RE
				DGW = TRANSMISSION - 4-SPD. AUTOMATIC,44RE
				DGX = TRANSMISSION - 4-SPEED AUTOMATIC
				DBB = ALL MANUAL TRANSMISSIONS
				DGO = ALL AUTOMATIC TRANSMISSIONS

AR = use ase required - = Non illustrated part

Clutch and Sun Gear AW4 (DGS)
Figure AW4-430



ITEM	PART NUMBER	QTY	LINE	SERIES	BODY	ENGINE	TRANS	TRIM	DESCRIPTION
	04637032	1	J, U				DGS		
		1	B, T			ER0	DGS		
9	04883921AA	1	J, U				DGS		DISC AND PLATE PACKAGE
		1	B, T			ER0	DGS		

CHEROKEE (XJ)

SERIES	LINE
H = Sport	T = JEEP - 2WD
L = SE	B = JEEP - 2WD (RHD)
P = Classic	J = JEEP - 4WD
S = Limited	U = JEEP - 4WD (RHD)

BODY
74 = 4 Dr (101.4WB)
72 = 2 Dr (101.4WB)

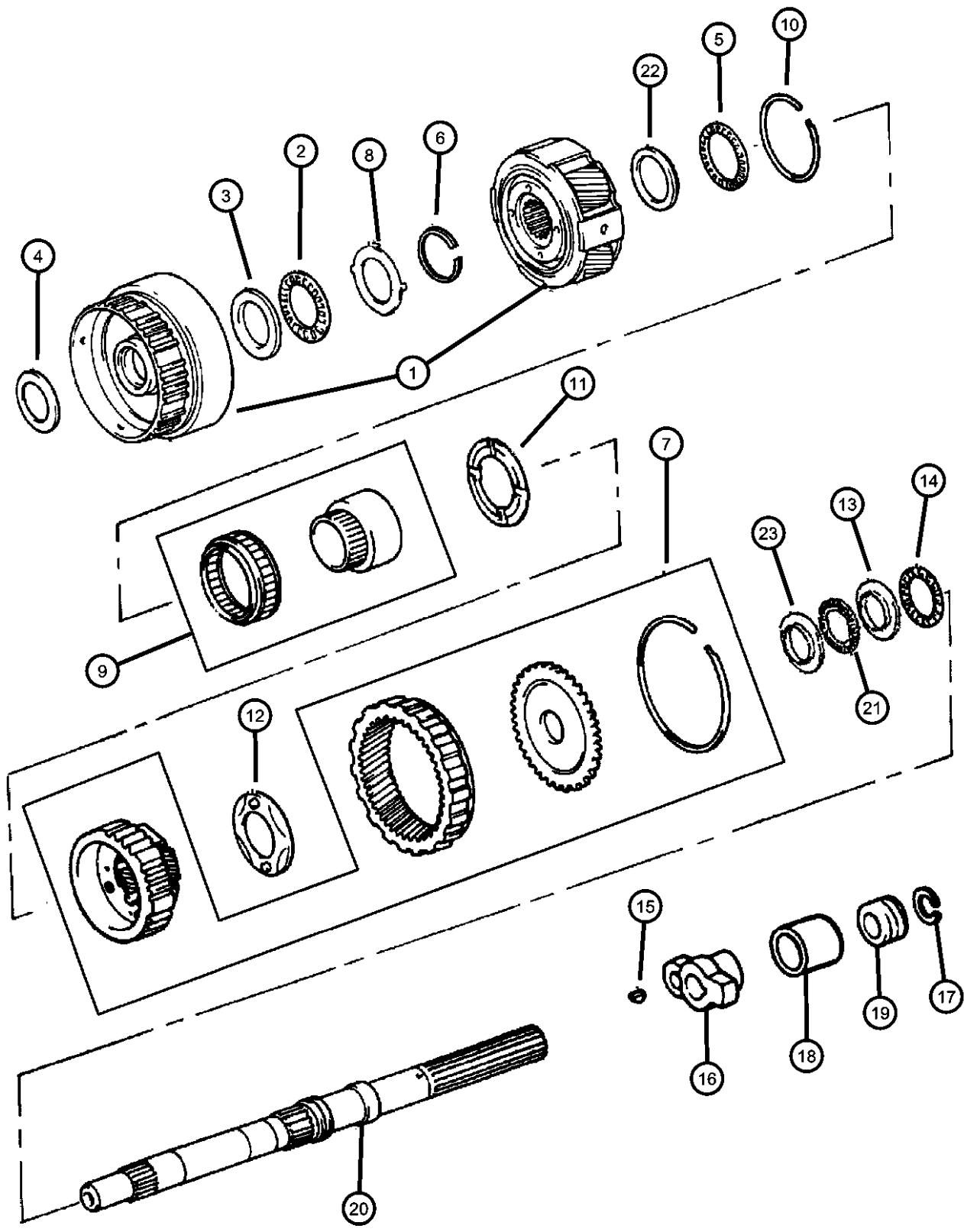
ENGINE
ENC = ENGINE - 2.5L 4 CYL TURBO DIESEL
EPE = ENGINE - 2.5L POWER TECH I-4 Cyl.
ERH = ENGINE - 4.0L POWER TECH I-6

TRANSMISSION
DDD = TRANSMISSION - 5-SPEED HD MANUAL
DDQ = TRANSMISSION - 5-SPEED MANUAL
DGD = TRANSMISSION - 3-SPD. AUTOMATIC,30RH
DGK = TRANSMISSION - 4-SPD. AUTOMATIC,42RE
DGS = TRANSMISSION-4SPD. AUTO,AISIN WARNER
DGT = TRANSMISSION - 4-SPD. AUTOMATIC,46RE
DGW = TRANSMISSION - 4-SPD. AUTOMATIC,44RE
DGX = TRANSMISSION - 4-SPEED AUTOMATIC
DBB = ALL MANUAL TRANSMISSIONS
DGO = ALL AUTOMATIC TRANSMISSIONS

AR = use ase required - = Non illustrated part

2000 XJ

**Gear Train AW4 (DGS)
Figure AW4-440**



ITEM	PART NUMBER	QTY	LINE	SERIES	BODY	ENGINE	TRANS	TRIM	DESCRIPTION
------	-------------	-----	------	--------	------	--------	-------	------	-------------

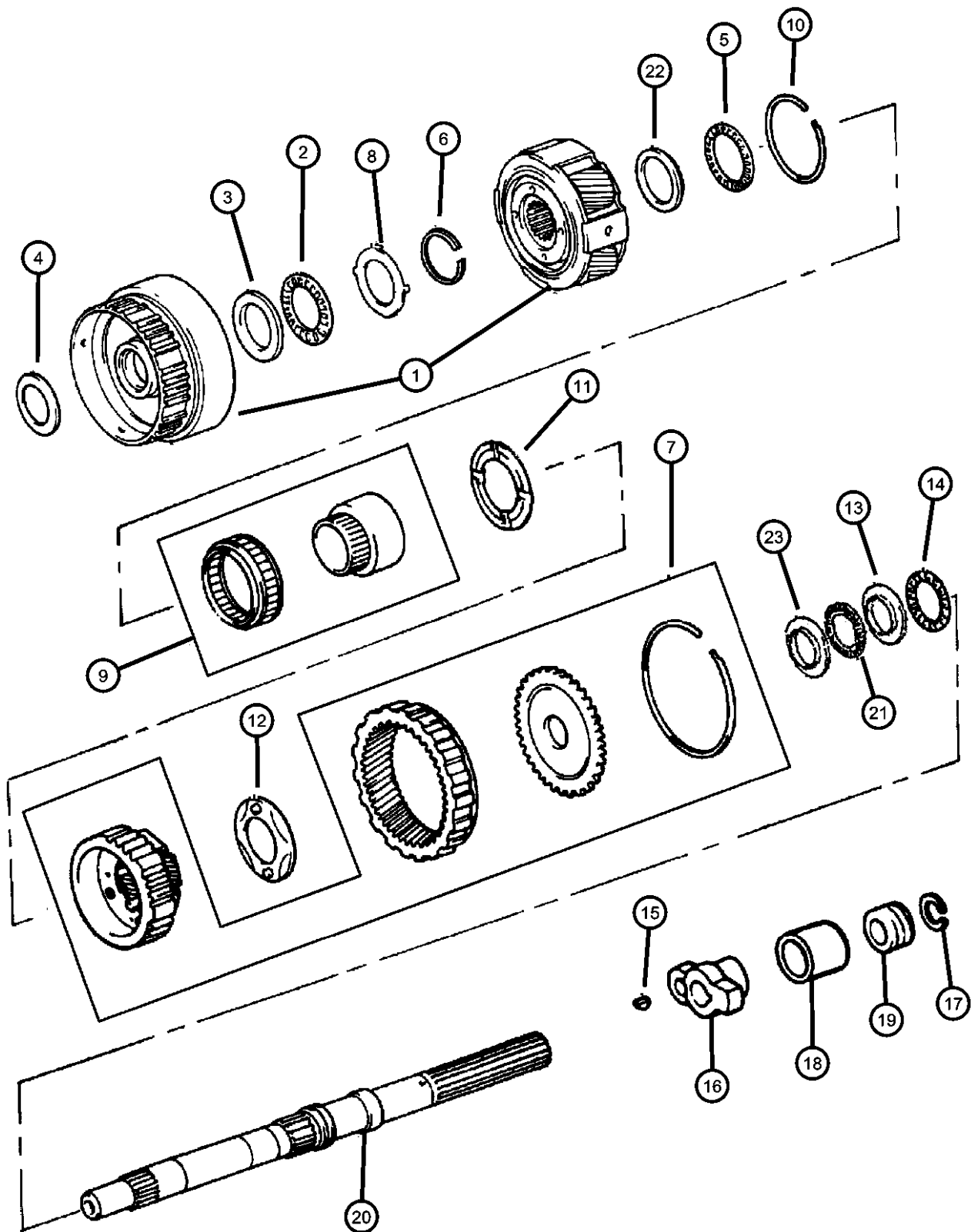
Notes:
ER0 = All 4.0L 6 Cylinder Gas Engines
DGS = Aisin Warner 4 Speed Automatic Transmission

1	83504326	1	J, U				DGS		GEAR, Planetary
		1	B, T			ER0	DGS		
2	83503802	1	B, T			ER0	DGS		THRUST BEARING
		1	J, U				DGS		
3	04637023	1	J, U				DGS		THRUST BEARING PACKAGE, Overdrive
		1	B, T			ER0	DGS		
4	83503801	1	J, U				DGS		RACE, Thrust Bearing
		1	B, T			ER0	DGS		
5	83503878	1	J, U				DGS		THRUST BEARING, Needle Roller
		1	B, T			ER0	DGS		
6	83503879	1	J, U				DGS		SNAP RING
		1	B, T			ER0	DGS		
7	04886128AA	1	J, U				DGS		GEAR PACKAGE, Planetary Overdrive
		1	B, T			ER0	DGS		
8									THRUST BEARING PACKAGE, Overdrive

CHEROKEE (XJ)		BODY	ENGINE	TRANSMISSION
SERIES	LINE			
H = Sport	T = JEEP - 2WD	74 = 4 Dr (101.4WB)	ENC = ENGINE - 2.5L 4 CYL TURBO DIESEL	DDD = TRANSMISSION - 5-SPEED HD MANUAL
L = SE	B = JEEP - 2WD (RHD)	72 = 2 Dr (101.4WB)	EPE = ENGINE - 2.5L POWER TECH I-4 Cyl.	DDQ = TRANSMISSION - 5-SPEED MANUAL
P = Classic	J = JEEP - 4WD		ERH = ENGINE - 4.0L POWER TECH I-6	DGD = TRANSMISSION - 3-SPD. AUTOMATIC,30RH
S = Limited	U = JEEP - 4WD (RHD)			DGK = TRANSMISSION - 4-SPD. AUTOMATIC,42RE
				DGS = TRANSMISSION-4SPD. AUTO,AISIN WARNER
				DGT = TRANSMISSION - 4-SPD. AUTOMATIC,46RE
				DGW = TRANSMISSION - 4-SPD. AUTOMATIC,44RE
				DGX = TRANSMISSION - 4-SPEED AUTOMATIC
				DBB = ALL MANUAL TRANSMISSIONS
				DGO = ALL AUTOMATIC TRANSMISSIONS

AR = use ase required - = Non illustrated part

**Gear Train AW4 (DGS)
Figure AW4-440**



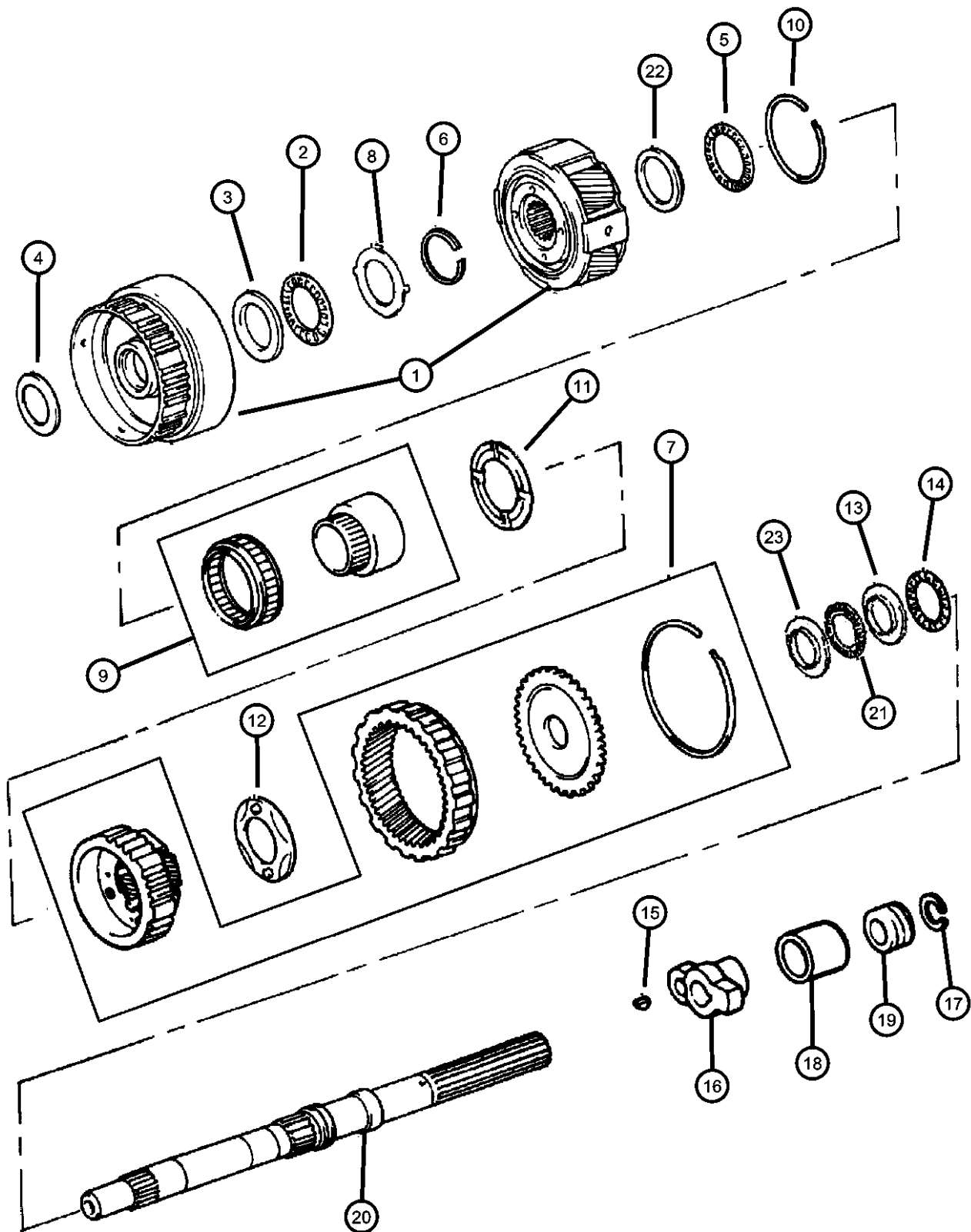
ITEM	PART NUMBER	QTY	LINE	SERIES	BODY	ENGINE	TRANS	TRIM	DESCRIPTION
9	04637023	1	J, U				DGS		CLUTCH PACKAGE
			B, T			ER0	DGS		
10	04637036	1	J, U				DGS		SNAP RING
			B, T			ER0	DGS		
11	83503890	1	J, U				DGS		THRUST WASHER, Planetary Carrier
			B, T			ER0	DGS		
12	83503891	1	J, U				DGS		THRUST WASHER, Planetary Carrier
			B, T			ER0	DGS		
13	83503893	1	J, U				DGS		RACE, Thrust Bearing
			B, T			ER0	DGS		
14	83503887	1	J, U				DGS		THRUST BEARING, Needle Roller
			B, T			ER0	DGS		
15	83503897	1	J, U				DGS		KEY, Woodruff
			B, T			ER0	DGS		
16	83503947	1	J, U				DGS		GEAR, Speedometer Drive
			B, T			ER0	DGS		

CHEROKEE (XJ)

SERIES	LINE	BODY	ENGINE	TRANSMISSION
H = Sport	T = JEEP - 2WD	74 = 4 Dr (101.4WB)	ENC = ENGINE - 2.5L 4 CYL TURBO DIESEL	DDD = TRANSMISSION - 5-SPEED HD MANUAL
L = SE	B = JEEP - 2WD (RHD)	72 = 2 Dr (101.4WB)	EPE = ENGINE - 2.5L POWER TECH I-4 Cyl.	DDQ = TRANSMISSION - 5-SPEED MANUAL
P = Classic	J = JEEP - 4WD		ERH = ENGINE - 4.0L POWER TECH I-6	DGD = TRANSMISSION - 3-SPD. AUTOMATIC,30RH
S = Limited	U = JEEP - 4WD (RHD)			DGK = TRANSMISSION - 4-SPD. AUTOMATIC,42RE
				DGS = TRANSMISSION-4SPD. AUTO,AISIN WARNER
				DGT = TRANSMISSION - 4-SPD. AUTOMATIC,46RE
				DGW = TRANSMISSION - 4-SPD. AUTOMATIC,44RE
				DGX = TRANSMISSION - 4-SPEED AUTOMATIC
				DBB = ALL MANUAL TRANSMISSIONS
				DGO = ALL AUTOMATIC TRANSMISSIONS

AR = use ase required - = Non illustrated part

**Gear Train AW4 (DGS)
Figure AW4-440**



ITEM	PART NUMBER	QTY	LINE	SERIES	BODY	ENGINE	TRANS	TRIM	DESCRIPTION
	04897740AA	1	J, U				DGS		
	04897740AB	1	B, T			ER0	DGS		
17	83503943	1	J, U				DGS		SNAP RING
	83503945	1	B, T			ER0	DGS		
18	83503705	1	B, T			ER0	DGS		SPACER, Speedometer Gear
19	83503704	1	B, T			ER0	DGS		GEAR, Speedometer Drive
20									MAINSHAFT, Transmission
	04636789	1	J, U				DGS		
	83503944	1	B, T			ER0	DGS		
21									THRUST BEARING, Needle Roller
	83503885	1	J, U				DGS		
		1	B, T			ER0	DGS		
22									RACE, Thrust Bearing
	83503877	1	J, U				DGS		
		1	B, T			ER0	DGS		
23									RACE, Thrust Bearing
	83503886	1	J, U				DGS		
		1	B, T			ER0	DGS		

CHEROKEE (XJ)

SERIES LINE
H = Sport T = JEEP - 2WD
L = SE B = JEEP - 2WD (RHD)
P = Classic J = JEEP - 4WD
S = Limited U = JEEP - 4WD (RHD)

BODY
74 = 4 Dr (101.4WB)
72 = 2 Dr (101.4WB)

ENGINE
ENC = ENGINE - 2.5L 4 CYL TURBO DIESEL
EPE = ENGINE - 2.5L POWER TECH I-4 Cyl.
ERH = ENGINE - 4.0L POWER TECH I-6

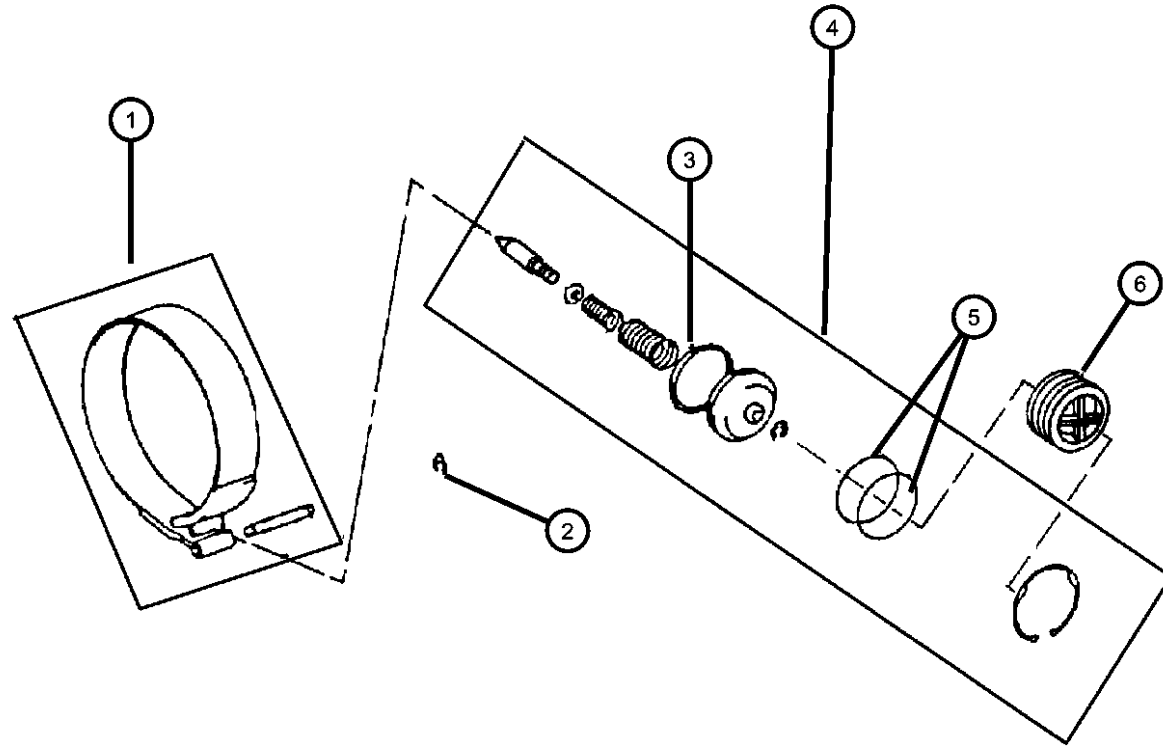
TRANSMISSION
DDD = TRANSMISSION - 5-SPEED HD MANUAL
DDQ = TRANSMISSION - 5-SPEED MANUAL
DGD = TRANSMISSION - 3-SPD. AUTOMATIC,30RH
DGK = TRANSMISSION - 4-SPD. AUTOMATIC,42RE
DGS = TRANSMISSION-4SPD. AUTO,AISIN WARNER
DGT = TRANSMISSION - 4-SPD. AUTOMATIC,46RE
DGW = TRANSMISSION - 4-SPD. AUTOMATIC,44RE
DGX = TRANSMISSION - 4-SPEED AUTOMATIC
DBB = ALL MANUAL TRANSMISSIONS
DGO = ALL AUTOMATIC TRANSMISSIONS

AR = use ase required - = Non illustrated part

**Bands AW4 (DGS)
Figure AW4-510**

ITEM	PART NUMBER	QTY	LINE	SERIES	BODY	ENGINE	TRANS	TRIM	DESCRIPTION
------	-------------	-----	------	--------	------	--------	-------	------	-------------

Notes:
ER0 = All 4.0L 6 Cylinder Gas Engines
DGS = Aisin Warner 4 Speed Automatic Transmission



1									BAND PACKAGE, Transmission Brake
	04886125AA	1	J, U				DGS		
		1	B, T			ER0	DGS		
2		1							E RING, (NOT SERVICED)
3									SEAL, Transmission Brake
	83503849	1	J, U				DGS		
		1	B, T			ER0	DGS		
4									PISTON, Brake
	83504299	1	J, U				DGS		
		1	B, T			ER0	DGS		
5									O RING, Transmission Coast Break
	83503855	2	J, U				DGS		
		2	B, T			ER0	DGS		
6									COVER, Brake Band
	83503853	1	J, U				DGS		
		1	B, T			ER0	DGS		

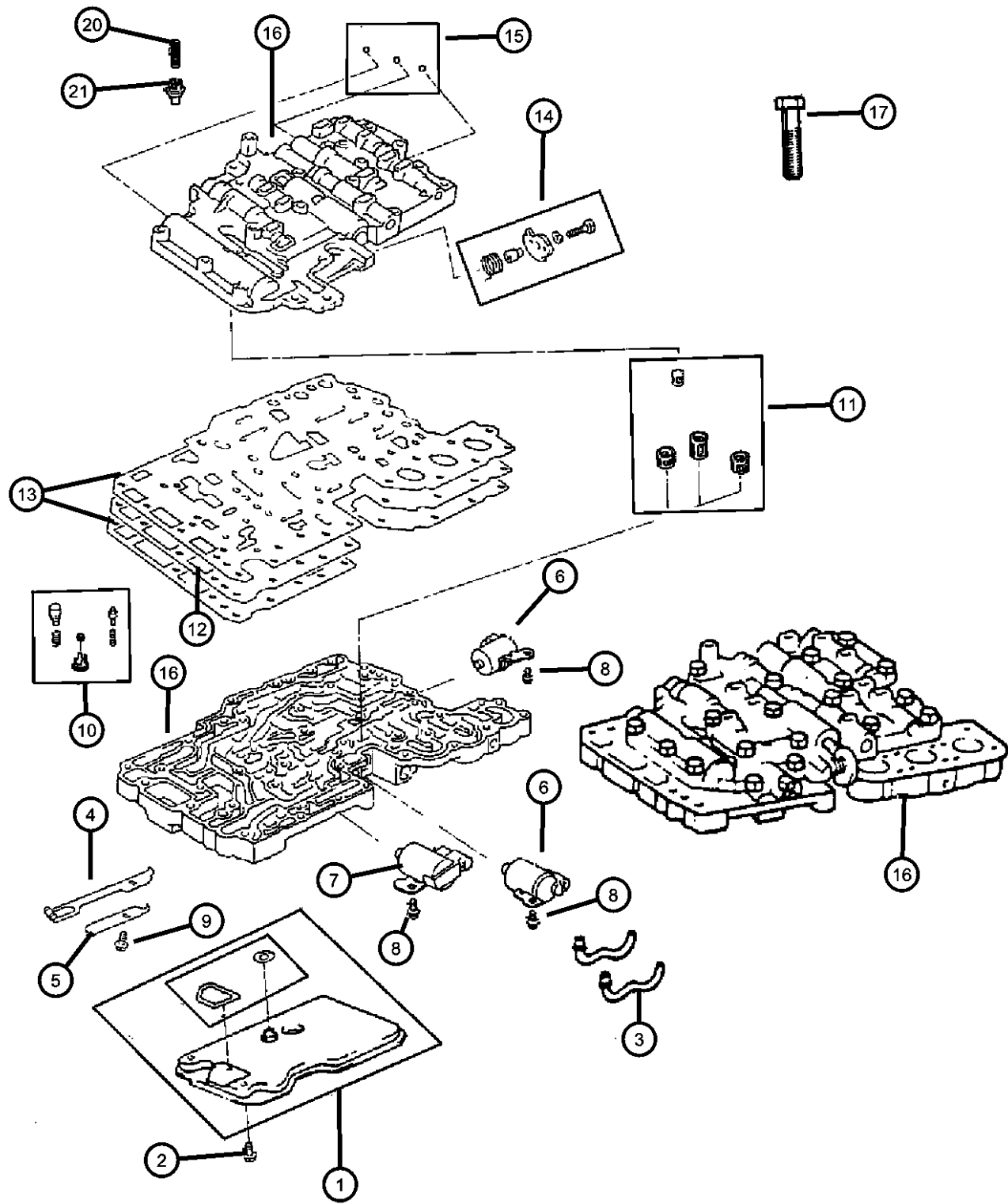
CHEROKEE (XJ)

SERIES	LINE	BODY	ENGINE	TRANSMISSION
H = Sport	T = JEEP - 2WD	74 = 4 Dr (101.4WB)	ENC = ENGINE - 2.5L 4 CYL TURBO DIESEL	DDD = TRANSMISSION - 5-SPEED HD MANUAL
L = SE	B = JEEP - 2WD (RHD)	72 = 2 Dr (101.4WB)	EPE = ENGINE - 2.5L POWER TECH I-4 Cyl.	DDQ = TRANSMISSION - 5-SPEED MANUAL
P = Classic	J = JEEP - 4WD		ERH = ENGINE - 4.0L POWER TECH I-6	DGD = TRANSMISSION - 3-SPD. AUTOMATIC,30RH
S = Limited	U = JEEP - 4WD (RHD)			DGK = TRANSMISSION - 4-SPD. AUTOMATIC,42RE
				DGS = TRANSMISSION-4SPD. AUTO,AISIN WARNER
				DGT = TRANSMISSION - 4-SPD. AUTOMATIC,46RE
				DGW = TRANSMISSION - 4-SPD. AUTOMATIC,44RE
				DGX = TRANSMISSION - 4-SPEED AUTOMATIC
				DBB = ALL MANUAL TRANSMISSIONS
				DGO = ALL AUTOMATIC TRANSMISSIONS

AR = use ase required - = Non illustrated part

2000 XJ

**Valve Body AW4 (DGS)
Figure AW4-710**



ITEM	PART NUMBER	QTY	LINE	SERIES	BODY	ENGINE	TRANS	TRIM	DESCRIPTION
------	-------------	-----	------	--------	------	--------	-------	------	-------------

Notes:
ER0 = All 4.0l 6 Cylinder Gas Engines
DGS = Aisin Warner 4 Speed Automatic Transmission

1	83504032	1	J, U				DGS		FILTER, Valve Body
		1	B, T			ER0	DGS		
2	83504031	4	J, U				DGS		BOLT, Hex Head, M6x1.00x12
		4	B, T			ER0	DGS		
3	83504334	2	J, U				DGS		TUBE, Valve Body
		2	B, T			ER0	DGS		
4	83504016	1	J, U				DGS		SPRING, Detent Manual
		1	B, T			ER0	DGS		
5	83504015	1	J, U				DGS		COVER, Transmission Detent
		1	B, T			ER0	DGS		
6	05016120AA	2	J, U				DGS		SOLENOID, Transmission
		2	B, T			ER0	DGS		
7	05016121AA	1	J, U				DGS		SOLENOID, Transmission
		1	B, T			ER0	DGS		
8	83504031	4	J, U				DGS		BOLT, Hex Head, M6x1.00x12

CHEROKEE (XJ)

SERIES	LINE
H = Sport	T = JEEP - 2WD
L = SE	B = JEEP - 2WD (RHD)
P = Classic	J = JEEP - 4WD
S = Limited	U = JEEP - 4WD (RHD)

BODY
74 = 4 Dr (101.4WB)
72 = 2 Dr (101.4WB)

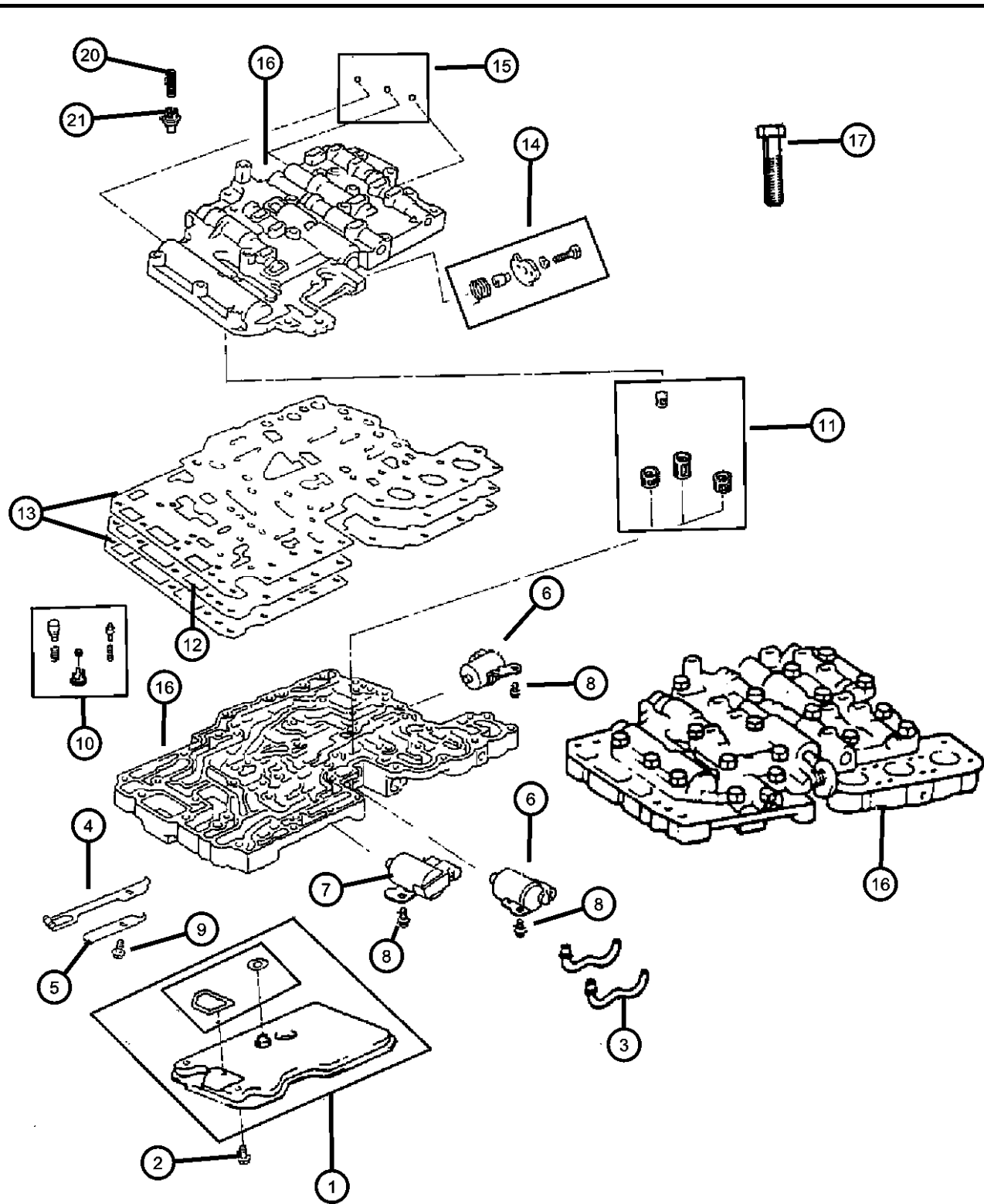
ENGINE
ENC = ENGINE - 2.5L 4 CYL TURBO DIESEL
EPE = ENGINE - 2.5L POWER TECH I-4 Cyl.
ERH = ENGINE - 4.0L POWER TECH I-6

TRANSMISSION
DDD = TRANSMISSION - 5-SPEED HD MANUAL
DDQ = TRANSMISSION - 5-SPEED MANUAL
DGD = TRANSMISSION - 3-SPD. AUTOMATIC,30RH
DGK = TRANSMISSION - 4-SPD. AUTOMATIC,42RE
DGS = TRANSMISSION-4SPD. AUTO,AISIN WARNER
DGT = TRANSMISSION - 4-SPD. AUTOMATIC,46RE
DGW = TRANSMISSION - 4-SPD. AUTOMATIC,44RE
DGX = TRANSMISSION - 4-SPEED AUTOMATIC
DBB = ALL MANUAL TRANSMISSIONS
DGO = ALL AUTOMATIC TRANSMISSIONS

AR = use ase required - = Non illustrated part

2000 XJ

Valve Body AW4 (DGS)
Figure AW4-710



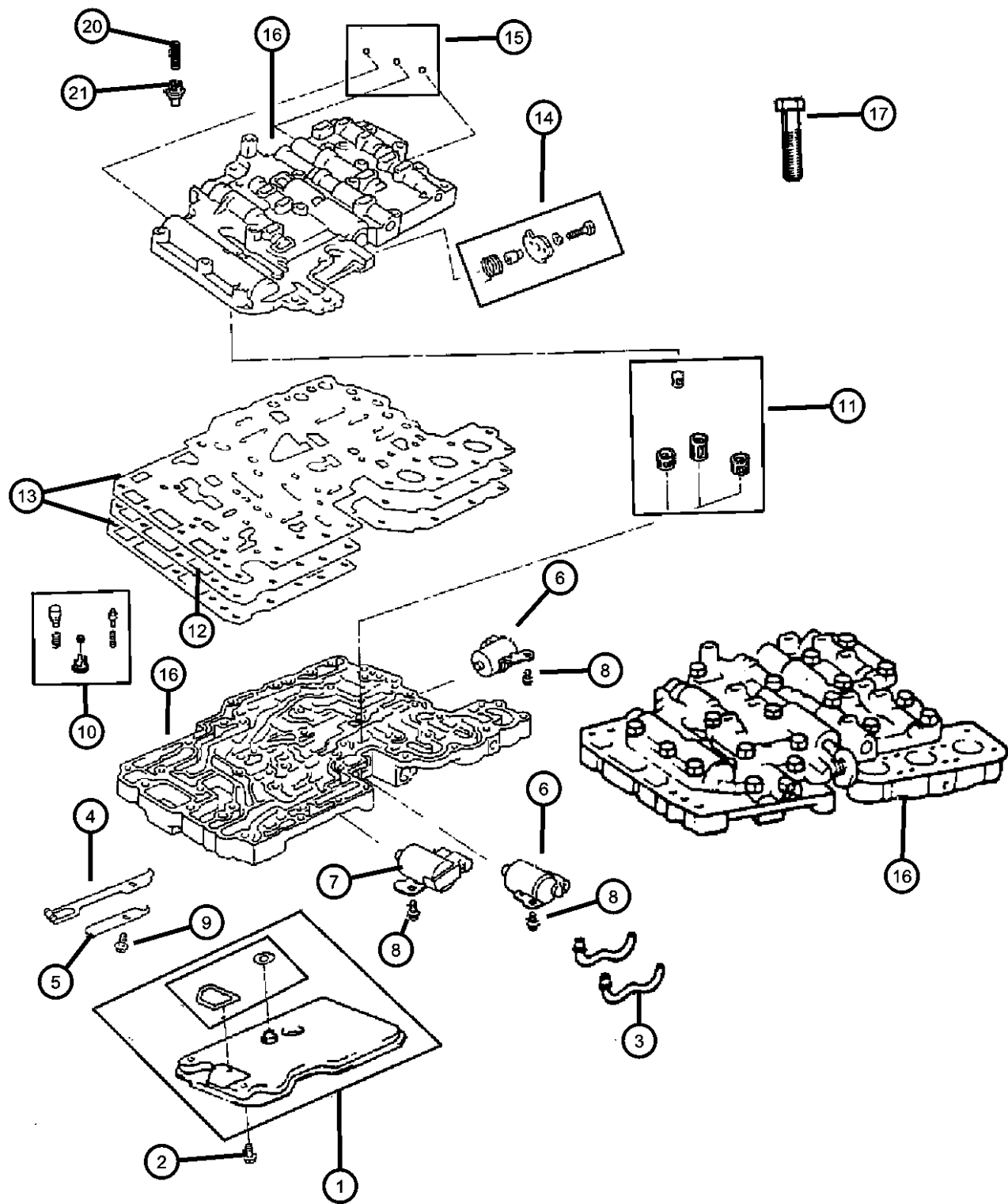
ITEM	PART NUMBER	QTY	LINE	SERIES	BODY	ENGINE	TRANS	TRIM	DESCRIPTION
9		3	B, T			ER0	DGS		BOLT, M6x1.00x32
	83503783	2	J, U				DGS		
	83504014	1	B, T			ER0	DGS		
10		1	J, U				DGS		BODY, Check Ball
	83504042	1	B, T			ER0	DGS		
11		1	B, T			ER0	DGS		FILTER, Valve Body
	83504336	1	J, U				DGS		
12		1	J, U				DGS		PLATE, Transmission Valve Body
	04637468	1	B, T			ER0	DGS		
13		1	J, U				DGS		GASKET, Valve Body
	04882361	1	B, T			ER0	DGS		
14		1	J, U				DGS		CAM PACKAGE, Throttle Valve
	04637026	1	B, T			ER0	DGS		
15		1	J, U				DGS		CHECK BALL PACKAGE, Valve Body
	04637031	1	B, T			ER0	DGS		
16		1	J, U				DGS		VALVE BODY
	04797404	1							52104180AB

CHEROKEE (XJ)

SERIES	LINE	BODY	ENGINE	TRANSMISSION
H = Sport	T = JEEP - 2WD	74 = 4 Dr (101.4WB)	ENC = ENGINE - 2.5L 4 CYL TURBO DIESEL	DDD = TRANSMISSION - 5-SPEED HD MANUAL
L = SE	B = JEEP - 2WD (RHD)	72 = 2 Dr (101.4WB)	EPE = ENGINE - 2.5L POWER TECH I-4 Cyl.	DDQ = TRANSMISSION - 5-SPEED MANUAL
P = Classic	J = JEEP - 4WD		ERH = ENGINE - 4.0L POWER TECH I-6	DGD = TRANSMISSION - 3-SPD. AUTOMATIC,30RH
S = Limited	U = JEEP - 4WD (RHD)			DGK = TRANSMISSION - 4-SPD. AUTOMATIC,42RE
				DGS = TRANSMISSION-4SPD. AUTO,AISIN WARNER
				DGT = TRANSMISSION - 4-SPD. AUTOMATIC,46RE
				DGW = TRANSMISSION - 4-SPD. AUTOMATIC,44RE
				DGX = TRANSMISSION - 4-SPEED AUTOMATIC
				DBB = ALL MANUAL TRANSMISSIONS
				DGO = ALL AUTOMATIC TRANSMISSIONS

AR = use ase required - = Non illustrated part

Valve Body AW4 (DGS)
Figure AW4-710



ITEM	PART NUMBER	QTY	LINE	SERIES	BODY	ENGINE	TRANS	TRIM	DESCRIPTION
17		1	B, T			ER0	DGS		BOLT, Hex Head, M6x1.00x12
	83504031	4	J, U				DGS		
-18		3	B, T			ER0	DGS		52104180AB BOLT, M6x1.00x32
	83504014	1	J, U				DGS		
-19		1	B, T			ER0	DGS		BOLT
	83504011	9	J, U				DGS		
	83504012	3	J, U			ER0	DGS		
		3	B, T			ER0	DGS		
	83504013	13	J, U				DGS		
		13	B, T			ER0	DGS		
20									SPRING, Accumulator
	83504036	1	J, U				DGS		
		1	B, T			ER0	DGS		
21									BODY, Check Ball
	83504042	1	J, U				DGS		
		1	B, T			ER0	DGS		

CHEROKEE (XJ)

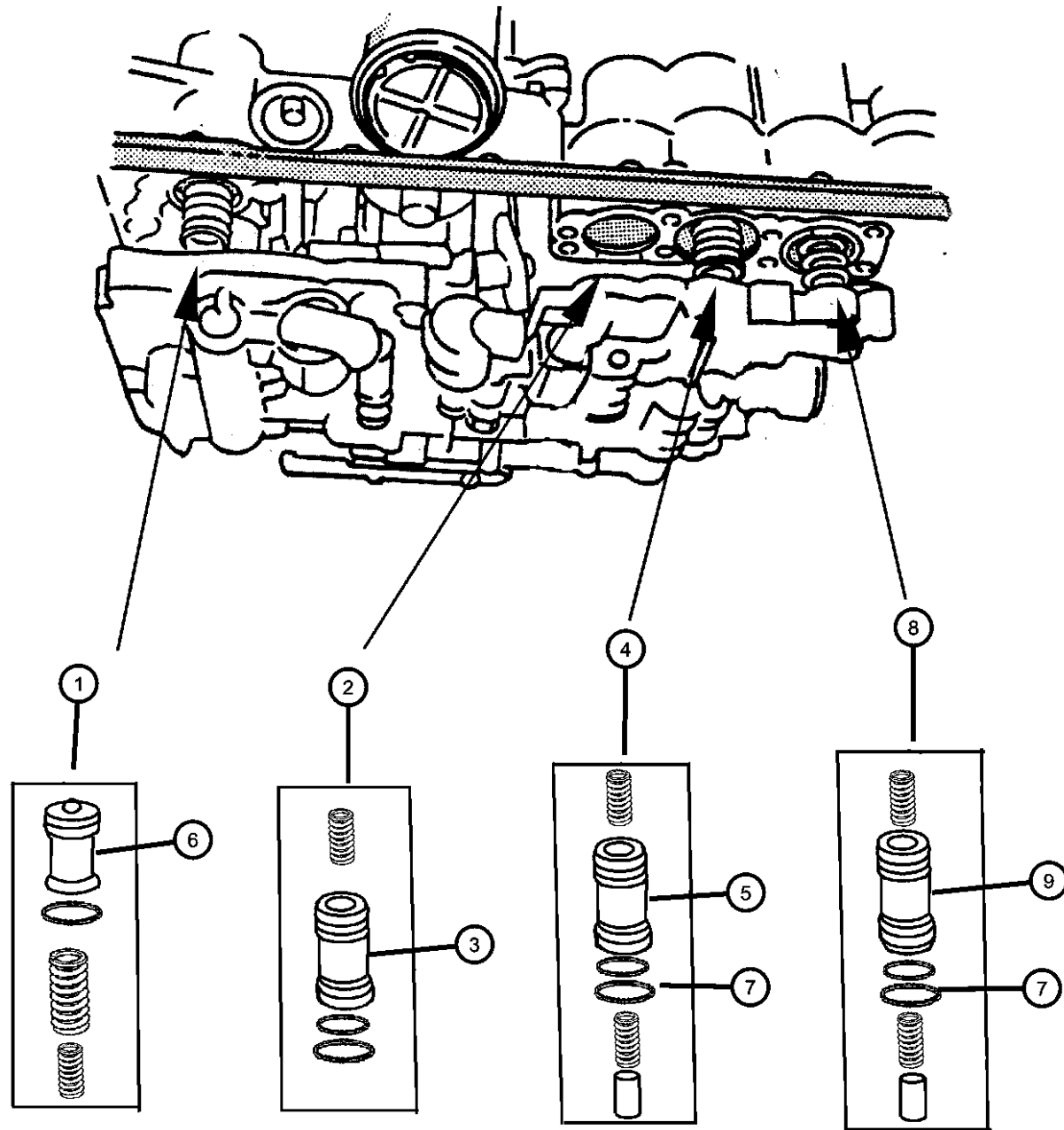
SERIES	LINE	BODY	ENGINE	TRANSMISSION
H = Sport	T = JEEP - 2WD	74 = 4 Dr (101.4WB)	ENC = ENGINE - 2.5L 4 CYL TURBO DIESEL	DDD = TRANSMISSION - 5-SPEED HD MANUAL
L = SE	B = JEEP - 2WD (RHD)	72 = 2 Dr (101.4WB)	EPE = ENGINE - 2.5L POWER TECH I-4 Cyl.	DDQ = TRANSMISSION - 5-SPEED MANUAL
P = Classic	J = JEEP - 4WD		ERH = ENGINE - 4.0L POWER TECH I-6	DGD = TRANSMISSION - 3-SPD. AUTOMATIC,30RH
S = Limited	U = JEEP - 4WD (RHD)			DGK = TRANSMISSION - 4-SPD. AUTOMATIC,42RE
				DGS = TRANSMISSION-4SPD. AUTO,AISIN WARNER
				DGT = TRANSMISSION - 4-SPD. AUTOMATIC,46RE
				DGW = TRANSMISSION - 4-SPD. AUTOMATIC,44RE
				DGX = TRANSMISSION - 4-SPEED AUTOMATIC
				DBB = ALL MANUAL TRANSMISSIONS
				DGO = ALL AUTOMATIC TRANSMISSIONS

AR = use ase required - = Non illustrated part

**Accumulator Piston AW4 (DGS)
Figure AW4-720**

ITEM	PART NUMBER	QTY	LINE	SERIES	BODY	ENGINE	TRANS	TRIM	DESCRIPTION
1	83504343	1	J, U				DGS		PISTON, Accumulator
		1	B, T			ER0	DGS		
2	04637028	1	J, U				DGS		ACCUMULATOR PACKAGE, Piston
		1	B, T			ER0	DGS		
3	04636788	1	J, U				DGS		PISTON, Accumulator
		1	B, T			ER0	DGS		
4	04637029	1	J, U				DGS		ACCUMULATOR PACKAGE, Piston
		1	B, T			ER0	DGS		
5	04636786	1	J, U				DGS		PISTON, Accumulator
		1	B, T			ER0	DGS		
6	83504017	1	J, U				DGS		PISTON, Accumulator
		1	B, T			ER0	DGS		
7	83504029	AR	J, U				DGS		O RING, Transmission Accumulator/Strainer
		AR	B, T			ER0	DGS		

Notes:
ER0 = All 4.0l 6 Cylinder Gas Engines
DGS = Aisin Warner 4 Speed Automatic Transmission



CHEROKEE (XJ)

SERIES LINE
H = Sport T = JEEP - 2WD
L = SE B = JEEP - 2WD (RHD)
P = Classic J = JEEP - 4WD
S = Limited U = JEEP - 4WD (RHD)

BODY
74 = 4 Dr (101.4WB)
72 = 2 Dr (101.4WB)

ENGINE
ENC = ENGINE - 2.5L 4 CYL
TURBO DIESEL
EPE = ENGINE - 2.5L POWER
TECH I-4 Cyl.
ERH = ENGINE - 4.0L
POWER TECH I-6

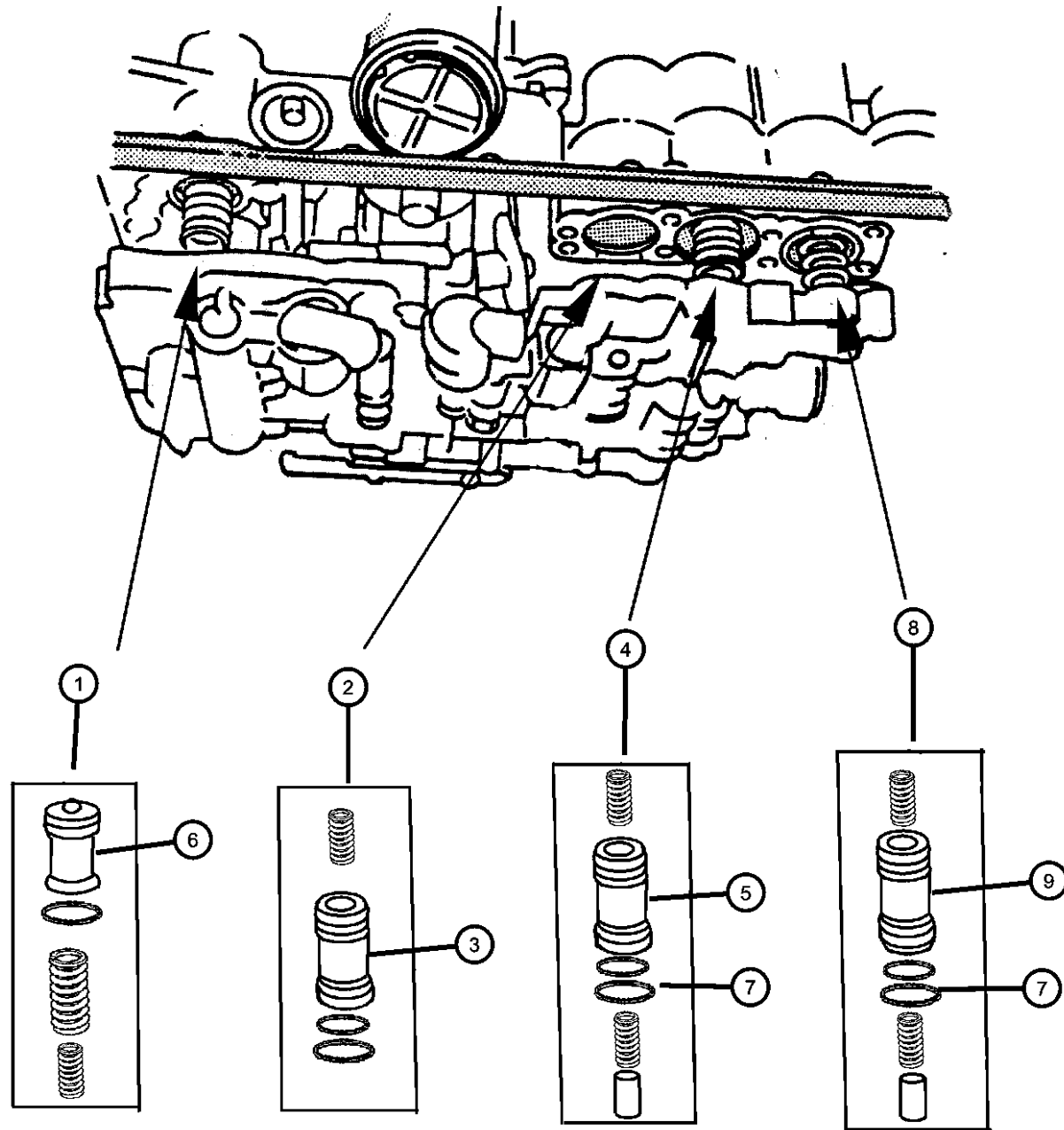
TRANSMISSION
DDD = TRANSMISSION - 5-SPEED
HD MANUAL
DDQ = TRANSMISSION - 5-SPEED
MANUAL
DGD = TRANSMISSION - 3-SPD.
AUTOMATIC,30RH
DGK = TRANSMISSION - 4-SPD.
AUTOMATIC,42RE
DGS = TRANSMISSION-4SPD.
AUTO,AISIN WARNER
DGT = TRANSMISSION - 4-SPD.
AUTOMATIC,46RE
DGW = TRANSMISSION - 4-SPD.
AUTOMATIC,44RE
DGX = TRANSMISSION - 4-SPEED
AUTOMATIC
DBB = ALL MANUAL
TRANSMISSIONS
DGO = ALL AUTOMATIC
TRANSMISSIONS

AR = use ase required - = Non illustrated part

2000 XJ

Accumulator Piston AW4 (DGS)
Figure AW4-720

ITEM	PART NUMBER	QTY	LINE	SERIES	BODY	ENGINE	TRANS	TRIM	DESCRIPTION
8									ACCUMULATOR PACKAGE, Piston
	05003158AA	1	J, U				DGS		
		1	B, T			ER0	DGS		
9									PISTON, Accumulator
	04636787	1	J, U				DGS		
		1	B, T			ER0	DGS		



CHEROKEE (XJ)

SERIES LINE
H = Sport T = JEEP - 2WD
L = SE B = JEEP - 2WD (RHD)
P = Classic J = JEEP - 4WD
S = Limited U = JEEP - 4WD (RHD)

BODY
74 = 4 Dr (101.4WB)
72 = 2 Dr (101.4WB)

ENGINE
ENC = ENGINE - 2.5L 4 CYL
TURBO DIESEL
EPE = ENGINE - 2.5L POWER
TECH I-4 Cyl.
ERH = ENGINE - 4.0L
POWER TECH I-6

TRANSMISSION
DDD = TRANSMISSION - 5-SPEED
HD MANUAL
DDQ = TRANSMISSION - 5-SPEED
MANUAL
DGD = TRANSMISSION - 3-SPD.
AUTOMATIC,30RH
DGK = TRANSMISSION - 4-SPD.
AUTOMATIC,42RE
DGS = TRANSMISSION-4SPD.
AUTO,AISIN WARNER
DGT = TRANSMISSION - 4-SPD.
AUTOMATIC,46RE
DGW = TRANSMISSION - 4-SPD.
AUTOMATIC,44RE
DGX = TRANSMISSION - 4-SPEED
AUTOMATIC
DBB = ALL MANUAL
TRANSMISSIONS
DGO = ALL AUTOMATIC
TRANSMISSIONS

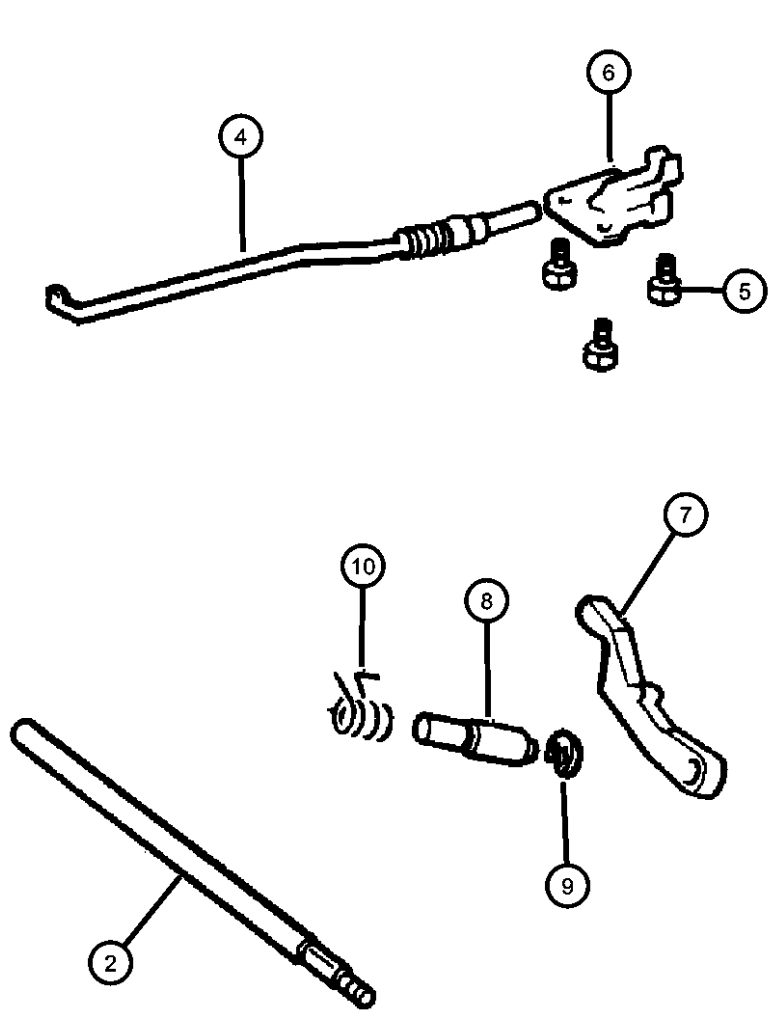
AR = use ase required - = Non illustrated part

2000 XJ

Lock, Parking AW4 (DGS)
Figure AW4-730

ITEM	PART NUMBER	QTY	LINE	SERIES	BODY	ENGINE	TRANS	TRIM	DESCRIPTION
------	-------------	-----	------	--------	------	--------	-------	------	-------------

Notes:
ER0 = All 4.0l 6 Cylinder Gas Engines
DGS = Aisin Warner 4 Speed Automatic Transmission



1	83503774	1	J, U				DGS		LEVER, Manual Valve
		1	B, T			ER0	DGS		
2	83503725	1	J, U				DGS		SHAFT, Manual Valve
		1	B, T			ER0	DGS		
3	83504332	1	J, U				DGS		LEVER REPAIR PACKAGE, Valve Body
		1	B, T			ER0	DGS		
4	04886042AA	1	J, U				DGS		ROD, Transmission Pawl
		1	B, T			ER0	DGS		
5	83503783	2	J, U				DGS		BOLT, M6x1.00x32
		5	B, T			ER0	DGS		
6	04886041AA	1	J, U				DGS		BRACKET, Park Lock
		1	B, T			ER0	DGS		
7	04886040AA	1	J, U				DGS		PAWL, Parking Sprag
		1	B, T			ER0	DGS		
8									SHAFT, Parking Sprag

CHEROKEE (XJ)

SERIES

H = Sport
L = SE
P = Classic
S = Limited

LINE

T = JEEP - 2WD
B = JEEP - 2WD (RHD)
J = JEEP - 4WD
U = JEEP - 4WD (RHD)

BODY

74 = 4 Dr (101.4WB)
72 = 2 Dr (101.4WB)

ENGINE

ENC = ENGINE - 2.5L 4 CYL TURBO DIESEL
EPE = ENGINE - 2.5L POWER TECH I-4 Cyl.
ERH = ENGINE - 4.0L POWER TECH I-6

TRANSMISSION

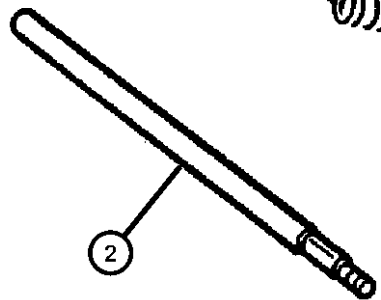
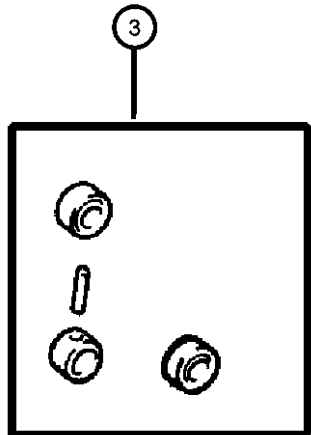
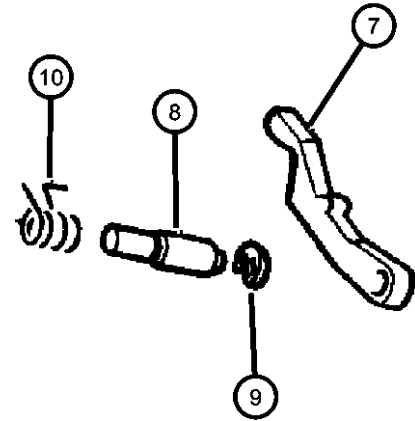
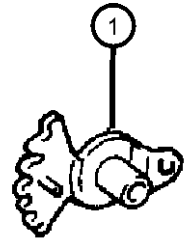
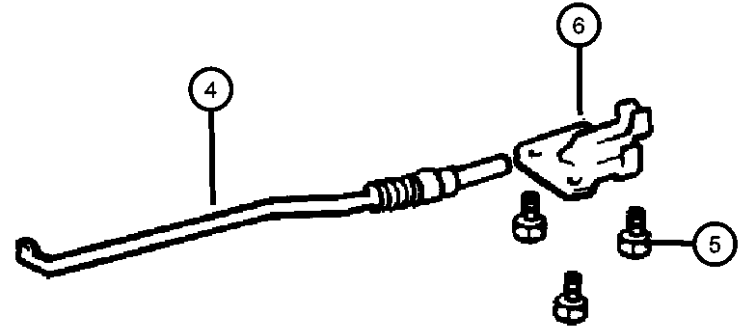
DDD = TRANSMISSION - 5-SPEED HD MANUAL
DDQ = TRANSMISSION - 5-SPEED MANUAL
DGD = TRANSMISSION - 3-SPD. AUTOMATIC,30RH
DGK = TRANSMISSION - 4-SPD. AUTOMATIC,42RE
DGS = TRANSMISSION-4SPD. AUTO,AISIN WARNER
DGT = TRANSMISSION - 4-SPD. AUTOMATIC,46RE
DGW = TRANSMISSION - 4-SPD. AUTOMATIC,44RE
DGX = TRANSMISSION - 4-SPEED AUTOMATIC
DBB = ALL MANUAL TRANSMISSIONS
DGO = ALL AUTOMATIC TRANSMISSIONS

AR = use ase required - = Non illustrated part

2000 XJ

Lock, Parking AW4 (DGS)
Figure AW4-730

ITEM	PART NUMBER	QTY	LINE	SERIES	BODY	ENGINE	TRANS	TRIM	DESCRIPTION
	83503777	1	J, U				DGS		
		1	B, T			ER0	DGS		
9	83503776	1	J, U				DGS		SNAP RING, Parking Pawl
		1	B, T			ER0	DGS		
10	83503778	1	J, U				DGS		SPRING, Park Lock
		1	B, T			ER0	DGS		



CHEROKEE (XJ)

SERIES	LINE
H = Sport	T = JEEP - 2WD
L = SE	B = JEEP - 2WD (RHD)
P = Classic	J = JEEP - 4WD
S = Limited	U = JEEP - 4WD (RHD)

BODY
74 = 4 Dr (101.4WB)
72 = 2 Dr (101.4WB)

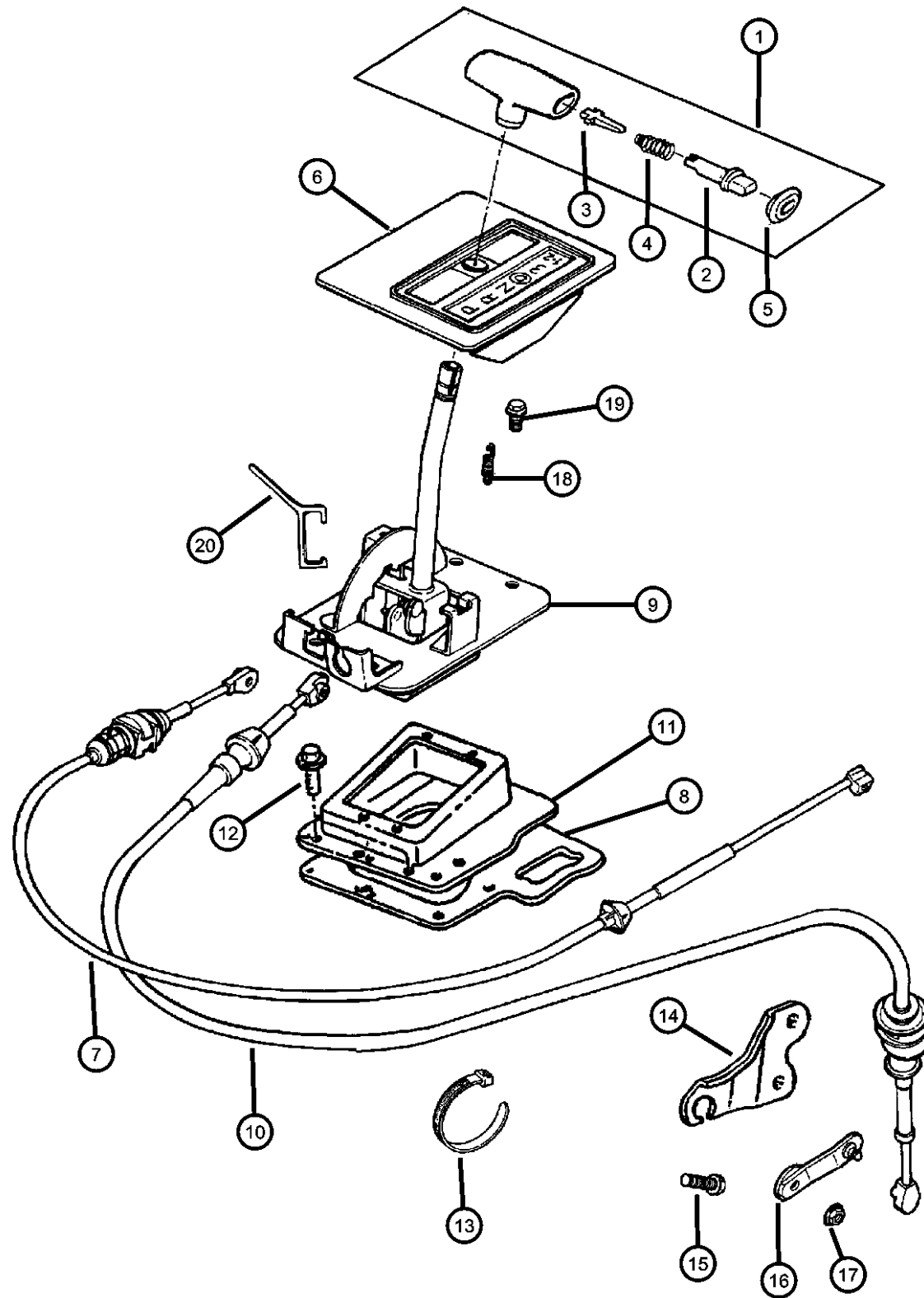
ENGINE
ENC = ENGINE - 2.5L 4 CYL TURBO DIESEL
EPE = ENGINE - 2.5L POWER TECH I-4 Cyl.
ERH = ENGINE - 4.0L POWER TECH I-6

TRANSMISSION
DDD = TRANSMISSION - 5-SPEED HD MANUAL
DDQ = TRANSMISSION - 5-SPEED MANUAL
DGD = TRANSMISSION - 3-SPD. AUTOMATIC,30RH
DGK = TRANSMISSION - 4-SPD. AUTOMATIC,42RE
DGS = TRANSMISSION-4SPD. AUTO,AISIN WARNER
DGT = TRANSMISSION - 4-SPD. AUTOMATIC,46RE
DGW = TRANSMISSION - 4-SPD. AUTOMATIC,44RE
DGX = TRANSMISSION - 4-SPEED AUTOMATIC
DBB = ALL MANUAL TRANSMISSIONS
DGO = ALL AUTOMATIC TRANSMISSIONS

AR = use ase required - = Non illustrated part

2000 XJ

**Gearshift Controls AW4 (DGS)
Figure AW4-1210**



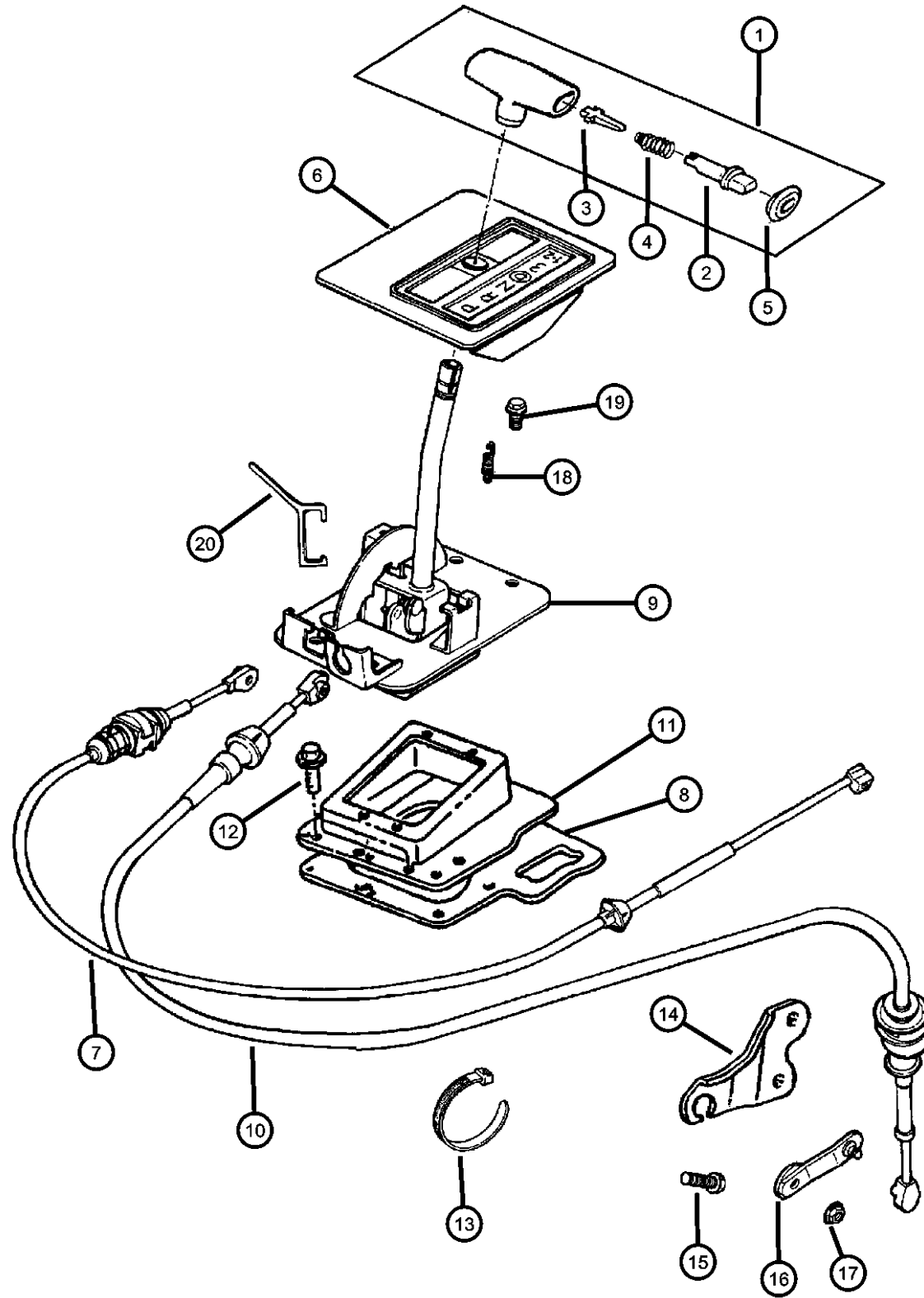
ITEM	PART NUMBER	QTY	LINE	SERIES	BODY	ENGINE	TRANS	TRIM	DESCRIPTION
Notes: ER0 = All 4.0l 6 Cylinder Gas Engines EP0 = All 2.5L Gas Engines DG0 = All Automatic Transmissions DGS = Aisin Warner 4 Speed Automatic Transmission									
1	52104028	1				EP0, ER0	DG0		HANDLE, Gearshift
2	53000211	1				EP0, ER0	DG0		BUTTON, Gearshift Knob
3	53000865	1				EP0, ER0	DG0		LEVER, Gearshift
4	53000866	1				EP0, ER0	DG0		SPRING, Button Return
5	52077561	1				EP0, ER0	DG0		CAP, Gearshift Handle Button
6									BEZEL, Console PRNDL
	5EK03LAZAB	1			J, T		DGS		
	5EK07LAZAB	1			B, U		DGS		
7									CABLE, Park Interlock
	52104144	1			J, T	EP0, ER0	DG0		
	52104144AB	1			B, U	EP0, ER0	DG0		
8	52104144AB	1							SEAL, Shift Housing, (NOT SERVICED)
9									HOUSING, Shift Lever
	52104005AB	1			J, T		DG0		
	52104007AB	1			B, U		DG0		
10	52077532AC	1					DG0		CABLE, Gearshift Control
11	53000704	1					DG0		COVER, Gearshift
12	J4001701	AR							SCREW, Hex Self Tapping, .19-16x.50
13	34201788	1				EP0, ER0			STRAP, Tie
14	53007746	1				ER0	DGS		BRACKET, Transmission Control Cable

CHEROKEE (XJ)

SERIES	LINE	BODY	ENGINE	TRANSMISSION
H = Sport	T = JEEP - 2WD	74 = 4 Dr (101.4WB)	ENC = ENGINE - 2.5L 4 CYL TURBO DIESEL	DDD = TRANSMISSION - 5-SPEED HD MANUAL
L = SE	B = JEEP - 2WD (RHD)	72 = 2 Dr (101.4WB)	EPE = ENGINE - 2.5L POWER TECH I-4 Cyl.	DDQ = TRANSMISSION - 5-SPEED MANUAL
P = Classic	J = JEEP - 4WD		ERH = ENGINE - 4.0L POWER TECH I-6	DGD = TRANSMISSION - 3-SPD. AUTOMATIC,30RH
S = Limited	U = JEEP - 4WD (RHD)			DGK = TRANSMISSION - 4-SPD. AUTOMATIC,42RE
				DGS = TRANSMISSION-4SPD. AUTO,AISIN WARNER
				DGT = TRANSMISSION - 4-SPD. AUTOMATIC,46RE
				DGW = TRANSMISSION - 4-SPD. AUTOMATIC,44RE
				DGX = TRANSMISSION - 4-SPEED AUTOMATIC
				DBB = ALL MANUAL TRANSMISSIONS
				DGO = ALL AUTOMATIC TRANSMISSIONS

AR = use ase required - = Non illustrated part

**Gearshift Controls AW4 (DGS)
Figure AW4-1210**



ITEM	PART NUMBER	QTY	LINE	SERIES	BODY	ENGINE	TRANS	TRIM	DESCRIPTION
15	11502850	2				ER0	DGS		BOLT, Hex Flange Head, M8x1.25x20
16	53007747	1	B, T			ER0	DGS		LEVER, Gearshift
17	J4200046	3							NUT AND WASHER, Hex Flange, M8x1.25
18	J4200046	3							SPRING, Pawl Return, (NOT SERVICED)
19	J4200046	3							SCREW, Hex Head, M8x1.25x18, (NOT SERVICED)
20	J4200046	3							GAUGE, Transmission Shifter, (NOT SERVICED)

CHEROKEE (XJ)

SERIES	LINE
H = Sport	T = JEEP - 2WD
L = SE	B = JEEP - 2WD (RHD)
P = Classic	J = JEEP - 4WD
S = Limited	U = JEEP - 4WD (RHD)

BODY
74 = 4 Dr (101.4WB)
72 = 2 Dr (101.4WB)

ENGINE
ENC = ENGINE - 2.5L 4 CYL TURBO DIESEL
EPE = ENGINE - 2.5L POWER TECH I-4 Cyl.
ERH = ENGINE - 4.0L POWER TECH I-6

TRANSMISSION
DDD = TRANSMISSION - 5-SPEED HD MANUAL
DDQ = TRANSMISSION - 5-SPEED MANUAL
DGD = TRANSMISSION - 3-SPD. AUTOMATIC,30RH
DGK = TRANSMISSION - 4-SPD. AUTOMATIC,42RE
DGS = TRANSMISSION-4SPD. AUTO,AISIN WARNER
DGT = TRANSMISSION - 4-SPD. AUTOMATIC,46RE
DGW = TRANSMISSION - 4-SPD. AUTOMATIC,44RE
DGX = TRANSMISSION - 4-SPEED AUTOMATIC
DBB = ALL MANUAL TRANSMISSIONS
DGO = ALL AUTOMATIC TRANSMISSIONS

AR = use ase required - = Non illustrated part

Group - 3550

Manual Transmission 5 Speed

Group - 3550 Manual Transmission 5 Speed

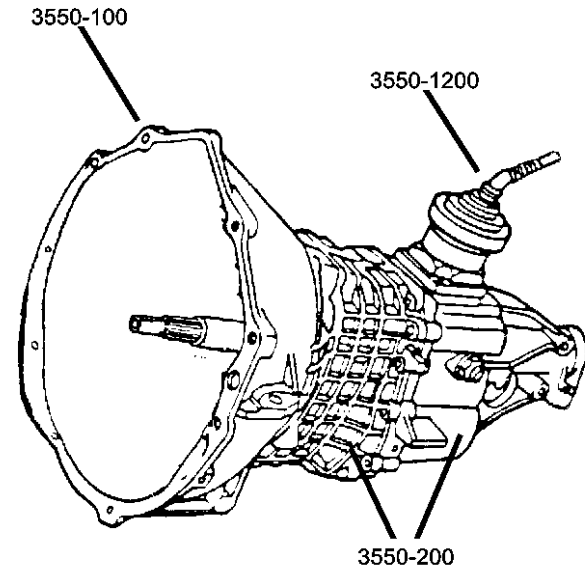


Illustration Title

Group-Fig. No.

Transmission Assembly

Transmission Assembly (DDD) Fig. 3550 - 110

Case and Extension

Case and Extension (DDD)..... Fig. 3550 - 210

Gear Train

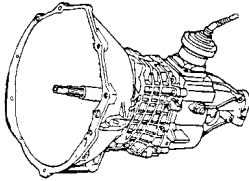
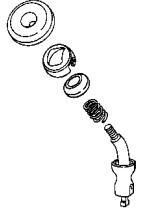
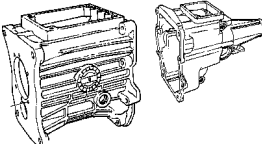
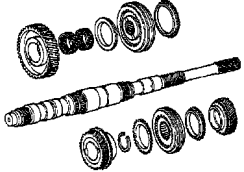
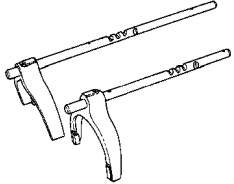
Gear Train (DDD) Fig. 3550 - 410

Fork and Rails

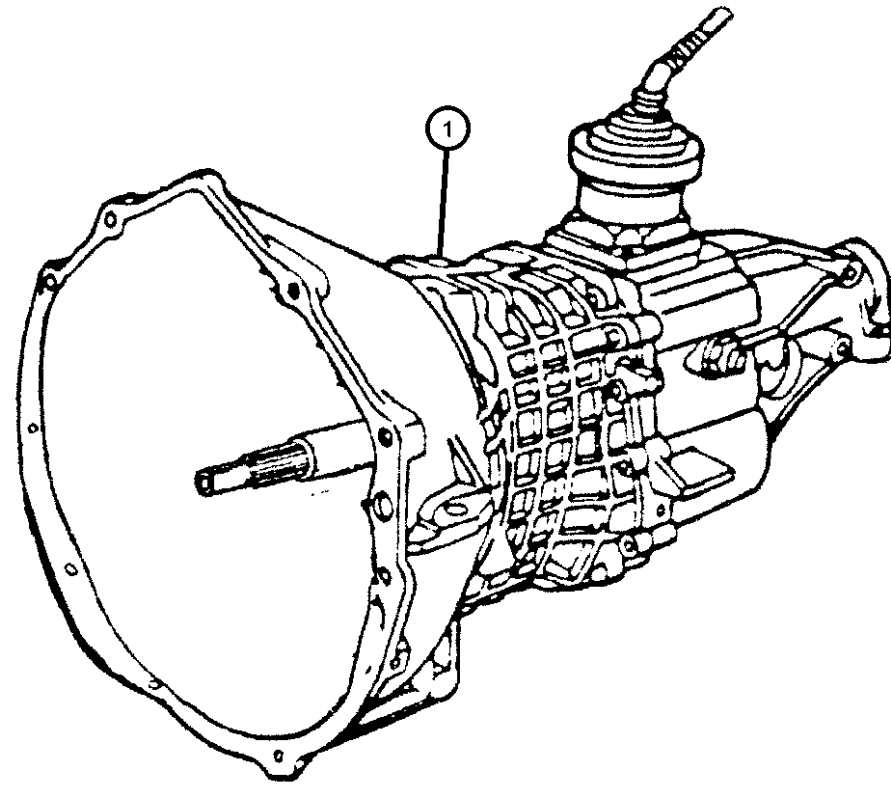
Fork and Rails (DDD)..... Fig. 3550 - 910

Gearshift Controls

Gearshift Controls (DDD)..... Fig. 3550 - 1210

<p>3550-100 Transmission Assembly</p> 	<p>3550-1200 Gearshift Controls</p> 	<p>3550-200 Case and Extension</p> 	<p>3550-400 Gear Train</p> 
<p>3550-900 Fork and Rails</p> 			

**Transmission Assembly (DDD)
Figure 3550-110**



ITEM	PART NUMBER	QTY	LINE	SERIES	BODY	ENGINE	TRANS	TRIM	DESCRIPTION
------	-------------	-----	------	--------	------	--------	-------	------	-------------

Notes:

ER0 = All 4.0L 6 Cylinder Gas Engine
ENC = 2.5L 4 Cylinder Turbo Diesel Engines
DDD = 5 Speed Manual Transmission

1									TRANSMISSION, 5 Speed
	52104385AA	1	J, U			ER0	DDD		
	52104386AA	1	B, T			ER0	DDD		
	52104387AA	1	J, U			ENC	DDD		

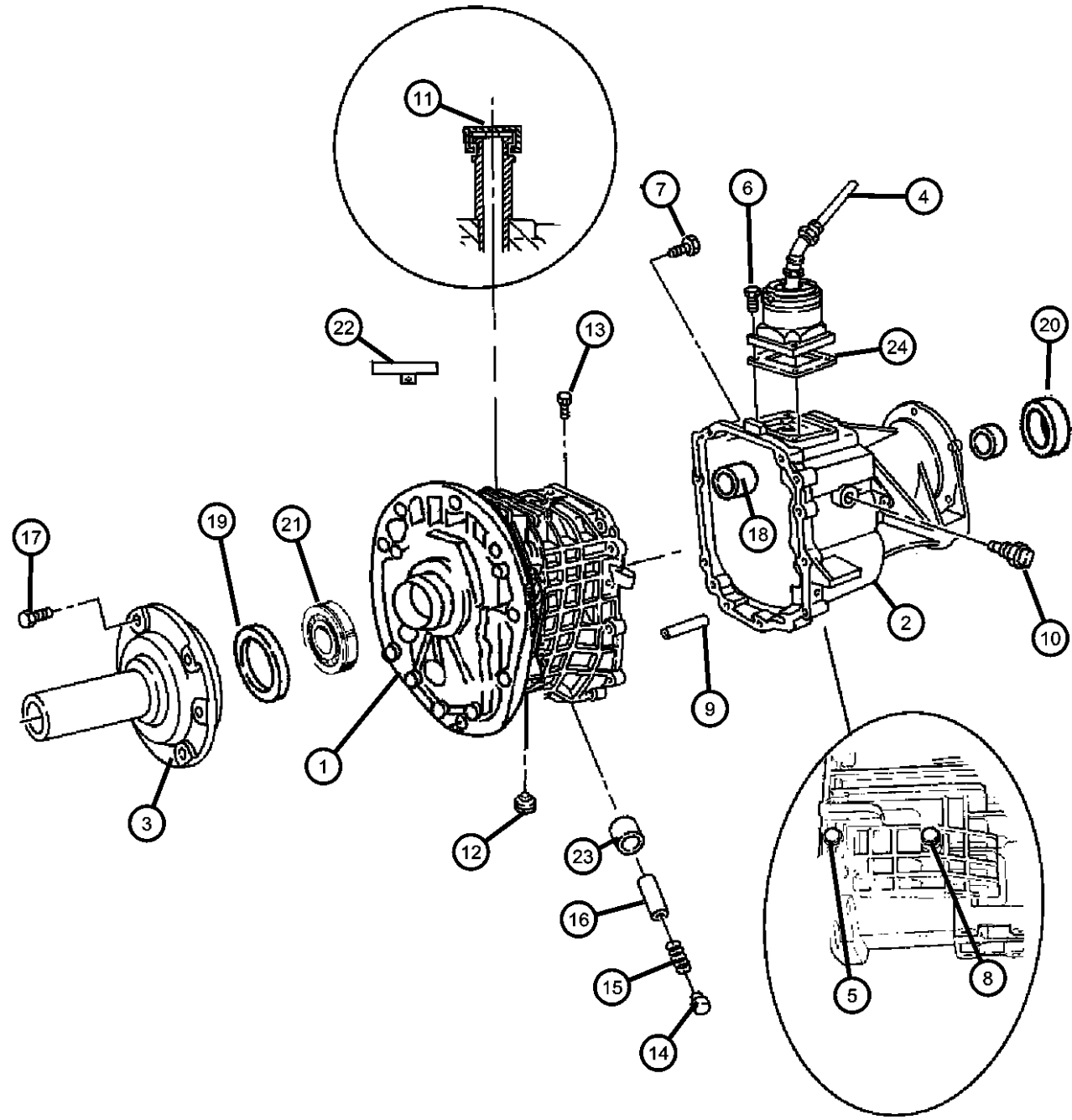
CHEROKEE (XJ)

SERIES	LINE	BODY	ENGINE	TRANSMISSION
H = Sport	T = JEEP - 2WD	74 = 4 Dr (101.4WB)	ENC = ENGINE - 2.5L 4 CYL TURBO DIESEL	DDD = TRANSMISSION - 5-SPEED HD MANUAL
L = SE	B = JEEP - 2WD (RHD)	72 = 2 Dr (101.4WB)	EPE = ENGINE - 2.5L POWER TECH I-4 Cyl.	DDQ = TRANSMISSION - 5-SPEED MANUAL
P = Classic	J = JEEP - 4WD		ERH = ENGINE - 4.0L POWER TECH I-6	DGD = TRANSMISSION - 3-SPD. AUTOMATIC,30RH
S = Limited	U = JEEP - 4WD (RHD)			DGK = TRANSMISSION - 4-SPD. AUTOMATIC,42RE
				DGS = TRANSMISSION-4SPD. AUTO,AISIN WARNER
				DGT = TRANSMISSION - 4-SPD. AUTOMATIC,46RE
				DGW = TRANSMISSION - 4-SPD. AUTOMATIC,44RE
				DGX = TRANSMISSION - 4-SPEED AUTOMATIC
				DBB = ALL MANUAL TRANSMISSIONS
				DGO = ALL AUTOMATIC TRANSMISSIONS

AR = use ase required - = Non illustrated part

2000 XJ

Case and Extension (DDD)
Figure 3550-210



ITEM	PART NUMBER	QTY	LINE	SERIES	BODY	ENGINE	TRANS	TRIM	DESCRIPTION
------	-------------	-----	------	--------	------	--------	-------	------	-------------

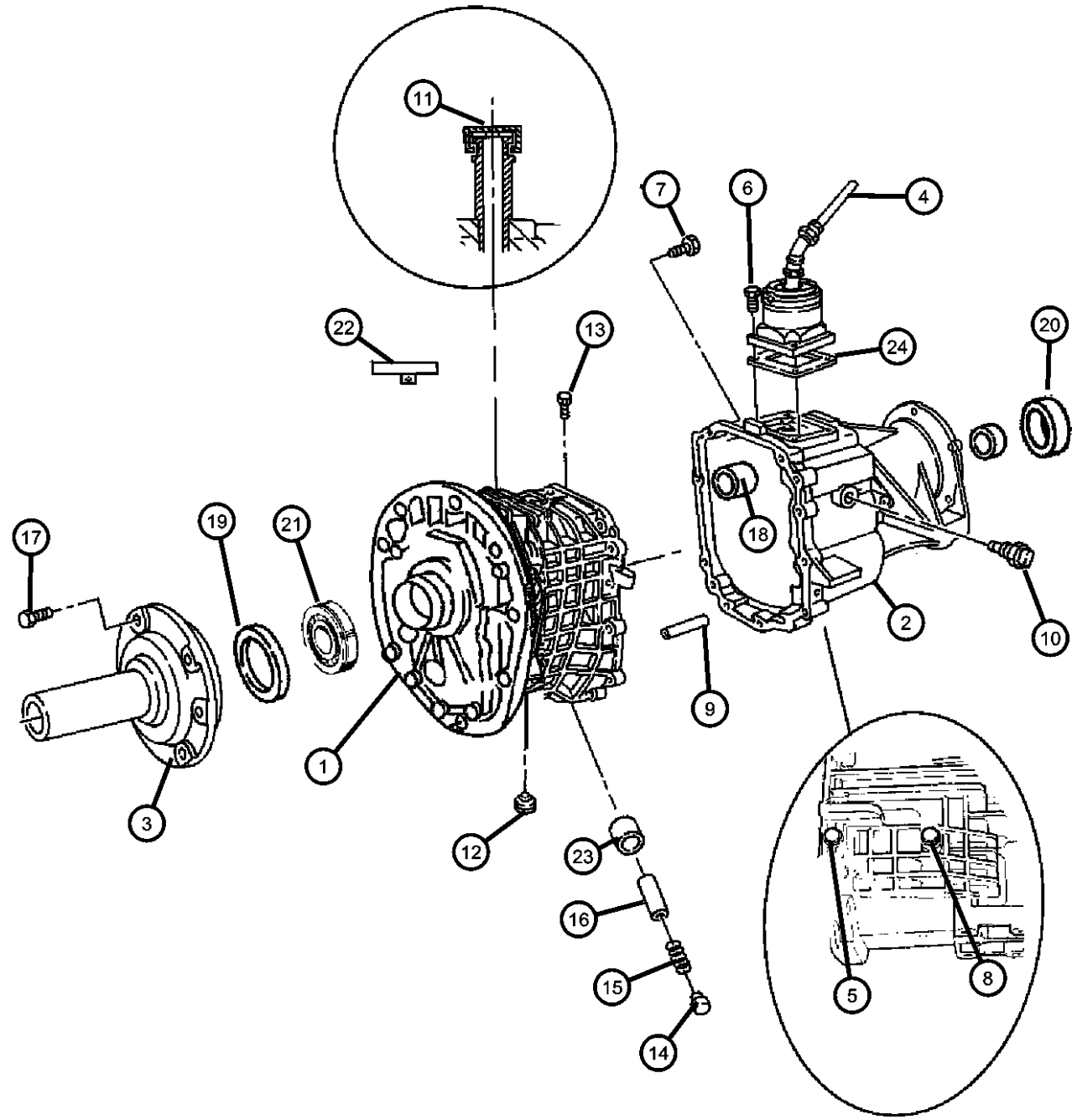
Notes:
ER0 = All 4.0L 6 Cylinder Gas Engine
ENC = 2.5L 4 Cylinder Turbo Diesel Engines
DDD = 5 Speed Manual Transmission

1	05015577AA	1	B, T			ER0	DDD		CASE, Transmission
		1	J, U			ER0	DDD		
		1	J, U			ENC	DDD		
2	05015946AA	1	B, T			ER0	DDD		CASE, Transmission Rear
	05015947AA	1	J, U			ER0	DDD		
		1	J, U			ENC	DDD		
3	05013306AA	1	J, U			ENC	DDD		RETAINER, Shaft
		1	B, T			ER0	DDD		
		1	J, U			ER0	DDD		
4	05015952AA	1	B, T			ER0	DDD		LEVER, Gearshift
		1	J, U			ER0	DDD		
	05015953AA	1	J, U			ENC	DDD		
5	04741313	1	J, U			ENC	DDD		BOLT, M8-1.25x70
		1	B, T			ER0	DDD		
		1	J, U			ER0	DDD		
6	04741144	4	J, U			ENC			BOLT, Hex Head

CHEROKEE (XJ)		BODY	ENGINE	TRANSMISSION
SERIES	LINE			
H = Sport	T = JEEP - 2WD	74 = 4 Dr (101.4WB)	ENC = ENGINE - 2.5L 4 CYL TURBO DIESEL	DDD = TRANSMISSION - 5-SPEED HD MANUAL
L = SE	B = JEEP - 2WD (RHD)	72 = 2 Dr (101.4WB)	EPE = ENGINE - 2.5L POWER TECH I-4 Cyl.	DDQ = TRANSMISSION - 5-SPEED MANUAL
P = Classic	J = JEEP - 4WD		ERH = ENGINE - 4.0L POWER TECH I-6	DGD = TRANSMISSION - 3-SPD. AUTOMATIC,30RH
S = Limited	U = JEEP - 4WD (RHD)			DGK = TRANSMISSION - 4-SPD. AUTOMATIC,42RE
				DGS = TRANSMISSION-4SPD. AUTO,AISIN WARNER
				DGT = TRANSMISSION - 4-SPD. AUTOMATIC,46RE
				DGW = TRANSMISSION - 4-SPD. AUTOMATIC,44RE
				DGX = TRANSMISSION - 4-SPEED AUTOMATIC
				DBB = ALL MANUAL TRANSMISSIONS
				DGO = ALL AUTOMATIC TRANSMISSIONS

AR = use ase required - = Non illustrated part

Case and Extension (DDD)
Figure 3550-210



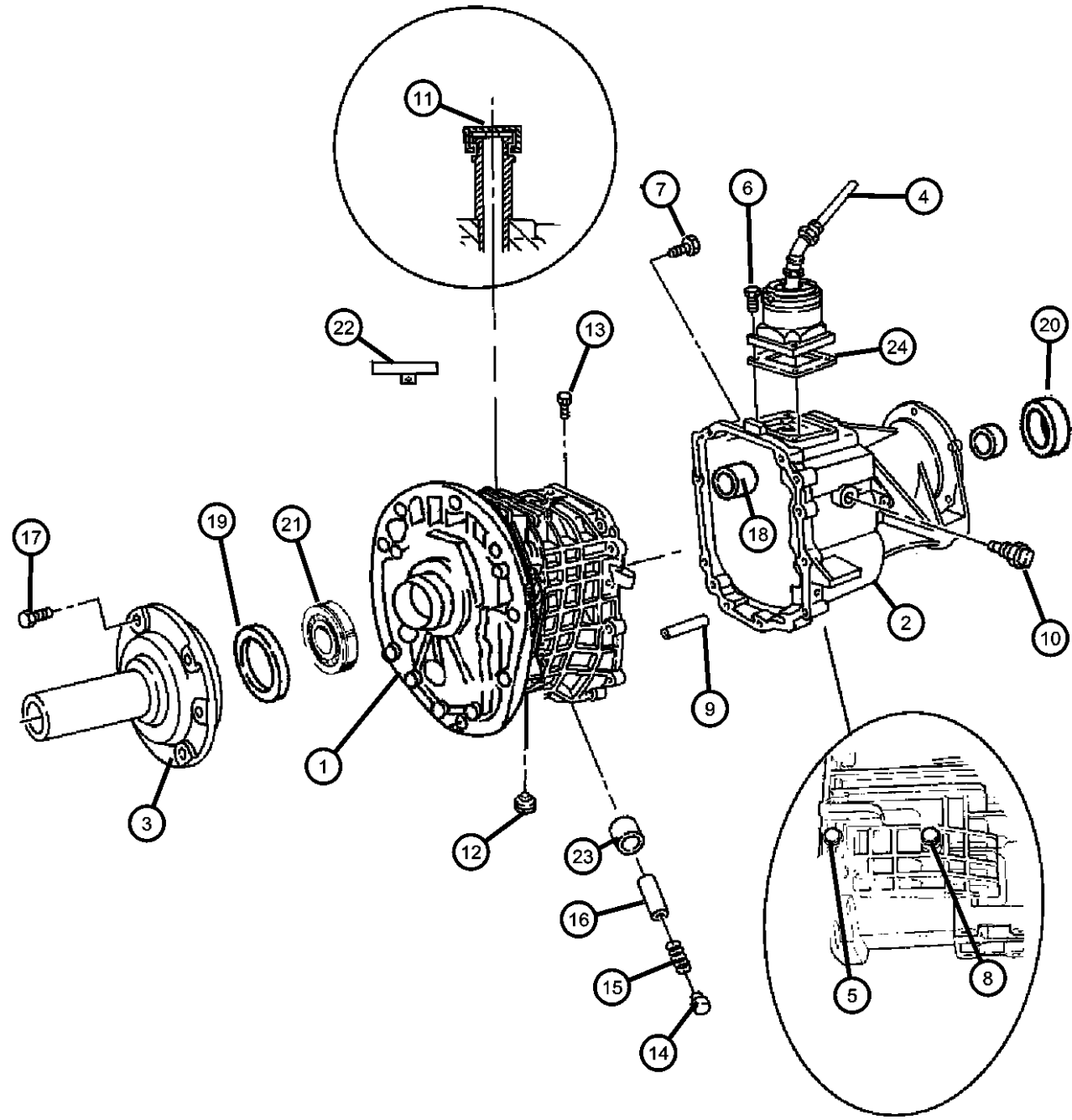
ITEM	PART NUMBER	QTY	LINE	SERIES	BODY	ENGINE	TRANS	TRIM	DESCRIPTION
		4	B, T			ER0	DDD		
		4	J, U			ER0	DDD		
7	04741123	11	J, U			ENC			BOLT, Hex Head, M8x1.25x50
		11	B, T			ER0	DDD		
		11	J, U			ER0	DDD		
8	04741115	1	J, U			ENC	DDD		BOLT, Hex
		1	B, T			ER0	DDD		
		1	J, U			ER0	DDD		
9	04741122	2	J, U			ENC			PIN, Locating
		2	B, T			ER0	DDD		
		2	J, U			ER0	DDD		
10	04741121	1	J, U			ENC	DDD		SWITCH, Back Up Lamp
		1	B, T			ER0	DDD		
		1	J, U			ER0	DDD		
11	05015945AA	1	J, U			ENC	DDD		VENT, Transmission
		1	B, T			ER0	DDD		
		1	J, U			ER0	DDD		
12	04882280	1	J, U			ER0	DDD		PLUG, Oil Fill
		1	B, T			ER0	DDD		

CHEROKEE (XJ)

SERIES	LINE	BODY	ENGINE	TRANSMISSION
H = Sport	T = JEEP - 2WD	74 = 4 Dr (101.4WB)	ENC = ENGINE - 2.5L 4 CYL TURBO DIESEL	DDD = TRANSMISSION - 5-SPEED HD MANUAL
L = SE	B = JEEP - 2WD (RHD)	72 = 2 Dr (101.4WB)	EPE = ENGINE - 2.5L POWER TECH I-4 Cyl.	DDQ = TRANSMISSION - 5-SPEED MANUAL
P = Classic	J = JEEP - 4WD		ERH = ENGINE - 4.0L POWER TECH I-6	DGD = TRANSMISSION - 3-SPD. AUTOMATIC,30RH
S = Limited	U = JEEP - 4WD (RHD)			DGK = TRANSMISSION - 4-SPD. AUTOMATIC,42RE
				DGS = TRANSMISSION-4SPD. AUTO,AISIN WARNER
				DGT = TRANSMISSION - 4-SPD. AUTOMATIC,46RE
				DGW = TRANSMISSION - 4-SPD. AUTOMATIC,44RE
				DGX = TRANSMISSION - 4-SPEED AUTOMATIC
				DBB = ALL MANUAL TRANSMISSIONS
				DGO = ALL AUTOMATIC TRANSMISSIONS

AR = use ase required - = Non illustrated part

Case and Extension (DDD)
Figure 3550-210



ITEM	PART NUMBER	QTY	LINE	SERIES	BODY	ENGINE	TRANS	TRIM	DESCRIPTION
13		1	J, U			ENC	DDD		PIN, Detent
	05013321AA	1	J, U			ENC	DDD		
		1	B, T			ER0	DDD		
		1	J, U			ER0	DDD		
14									CAP, Detent
	04741128	1	J, U			ENC	DDD		
		1	B, T			ER0	DDD		
		1	J, U			ER0	DDD		
15									SPRING, Shift Detent
	04796673	1	J, U			ENC	DDD		
		1	B, T			ER0	DDD		
		1	J, U			ER0	DDD		
16									PLUNGER
	05015949AA	1	J, U			ENC	DDD		
		1	B, T			ER0	DDD		
		1	J, U			ER0	DDD		
17									BOLT, Hex Head, M6x1.00x25
	04741300	6	J, U			ENC			
		6	B, T			ER0	DDD		
		6	J, U			ER0	DDD		
18									BEARING, Ball
	04741112	1	J, U			ENC	DDD		
		1	B, T			ER0	DDD		
		1	J, U			ER0	DDD		

CHEROKEE (XJ)

SERIES LINE
H = Sport T = JEEP - 2WD
L = SE B = JEEP - 2WD (RHD)
P = Classic J = JEEP - 4WD
S = Limited U = JEEP - 4WD (RHD)

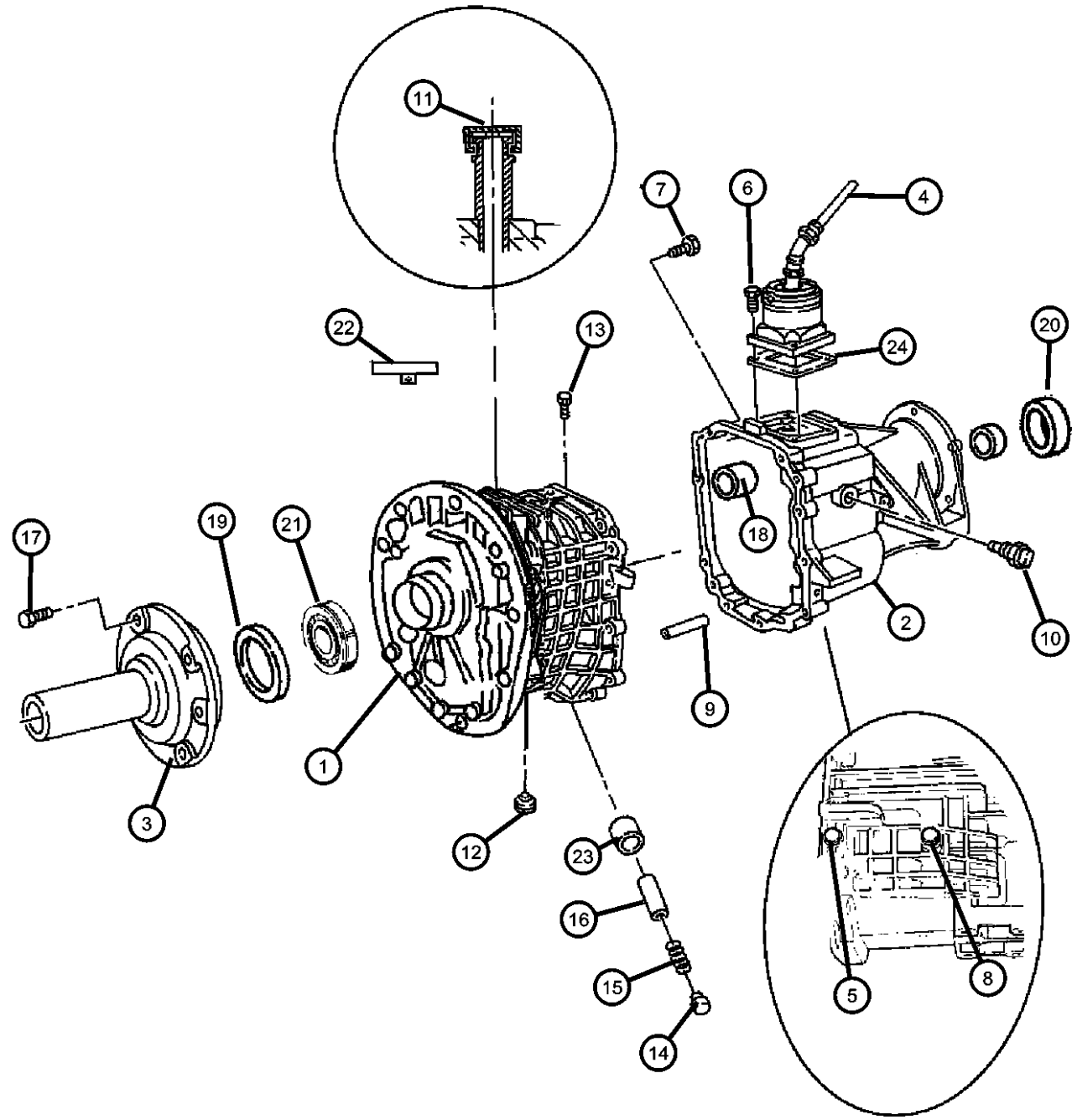
BODY
74 = 4 Dr (101.4WB)
72 = 2 Dr (101.4WB)

ENGINE
ENC = ENGINE - 2.5L 4 CYL
TURBO DIESEL
EPE = ENGINE - 2.5L POWER
TECH I-4 Cyl.
ERH = ENGINE - 4.0L
POWER TECH I-6

TRANSMISSION
DDD = TRANSMISSION - 5-SPEED
HD MANUAL
DDQ = TRANSMISSION - 5-SPEED
MANUAL
DGD = TRANSMISSION - 3-SPD.
AUTOMATIC,30RH
DGK = TRANSMISSION - 4-SPD.
AUTOMATIC,42RE
DGS = TRANSMISSION-4SPD.
AUTO,AISIN WARNER
DGT = TRANSMISSION - 4-SPD.
AUTOMATIC,46RE
DGW = TRANSMISSION - 4-SPD.
AUTOMATIC,44RE
DGX = TRANSMISSION - 4-SPEED
AUTOMATIC
DBB = ALL MANUAL
TRANSMISSIONS
DGO = ALL AUTOMATIC
TRANSMISSIONS

AR = use ase required - = Non illustrated part

Case and Extension (DDD)
Figure 3550-210



ITEM	PART NUMBER	QTY	LINE	SERIES	BODY	ENGINE	TRANS	TRIM	DESCRIPTION
19	04741296	1	J, U			ENC	DDD		SEAL, Input Shaft
		1	B, T			ER0	DDD		
		1	J, U			ER0	DDD		
20	04741118	1	J, U			ENC	DDD		SEAL, Output Shaft
		1	J, U			ER0	DDD		
	04741119	1	B, T			ER0	DDD		
21	04874174	1	J, U			ENC	DDD		BEARING, Input Shaft
		1	B, T			ER0	DDD		
		1	J, U			ER0	DDD		
22	05015945AA	1	J, U			ENC	DDD		VENT, Transmission
		1	B, T			ER0	DDD		
		1	J, U			ER0	DDD		
23	05012337AA	1	J, U			ENC	DDD		BUSHING, Transmission
		1	B, T			ER0	DDD		
		1	J, U			ER0	DDD		
24	04886153AA	1	J, U			ENC	DDD		SEAL, Shift Lever
		1	B, T			ER0	DDD		
		1	J, U			ER0	DDD		

CHEROKEE (XJ)

SERIES LINE
H = Sport T = JEEP - 2WD
L = SE B = JEEP - 2WD (RHD)
P = Classic J = JEEP - 4WD
S = Limited U = JEEP - 4WD (RHD)

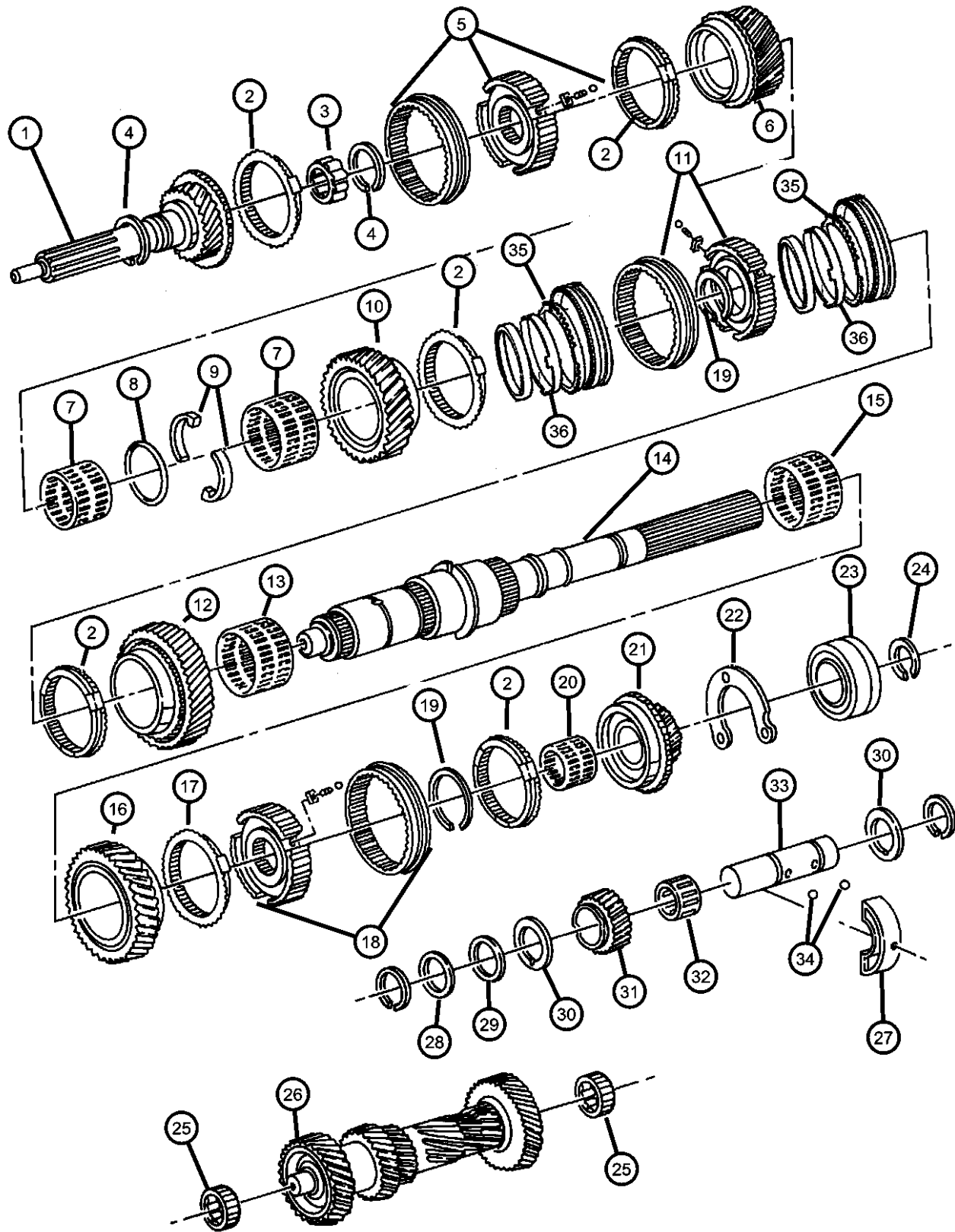
BODY
74 = 4 Dr (101.4WB)
72 = 2 Dr (101.4WB)

ENGINE
ENC = ENGINE - 2.5L 4 CYL TURBO DIESEL
EPE = ENGINE - 2.5L POWER TECH I-4 Cyl.
ERH = ENGINE - 4.0L POWER TECH I-6

TRANSMISSION
DDD = TRANSMISSION - 5-SPEED HD MANUAL
DDQ = TRANSMISSION - 5-SPEED MANUAL
DGD = TRANSMISSION - 3-SPD. AUTOMATIC,30RH
DGK = TRANSMISSION - 4-SPD. AUTOMATIC,42RE
DGS = TRANSMISSION-4SPD. AUTO,AISIN WARNER
DGT = TRANSMISSION - 4-SPD. AUTOMATIC,46RE
DGW = TRANSMISSION - 4-SPD. AUTOMATIC,44RE
DGX = TRANSMISSION - 4-SPEED AUTOMATIC
DBB = ALL MANUAL TRANSMISSIONS
DGO = ALL AUTOMATIC TRANSMISSIONS

AR = use ase required - = Non illustrated part

**Gear Train (DDD)
Figure 3550-410**



ITEM	PART NUMBER	QTY	LINE	SERIES	BODY	ENGINE	TRANS	TRIM	DESCRIPTION
------	-------------	-----	------	--------	------	--------	-------	------	-------------

Notes:
ER0 = All 4.0L 6 Cylinder Gas Engine
ENC = 2.5L 4 Cylinder Turbo Diesel Engines
DDD = 5 Speed Manual Transmission

1	05013302AA	1	J, U			ENC	DDD		SHAFT, Input
		1	B, T			ER0	DDD		
		1	J, U			ER0	DDD		
2	04741277	2	J, U			ENC			STOP RING, Synchronizer
		2	B, T			ER0	DDD		
		2	J, U			ER0	DDD		
3	04741878	1	J, U			ENC	DDD		NEEDLE BEARING, Input Shaft
		1	B, T			ER0	DDD		
		1	J, U			ER0	DDD		
4	04741266	2	J, U			ENC			SNAP RING, Output Shaft Bearing
		2	B, T			ER0	DDD		
		2	J, U			ER0	DDD		
5	04741293	1	J, U			ENC	DDD		SYNCHRONIZER, Third and Fourth
		1	B, T			ER0	DDD		
		1	J, U			ER0	DDD		
6	05013195AA	1	J, U			ENC	DDD		GEAR, Third

CHEROKEE (XJ)

SERIES LINE
H = Sport T = JEEP - 2WD
L = SE B = JEEP - 2WD (RHD)
P = Classic J = JEEP - 4WD
S = Limited U = JEEP - 4WD (RHD)

BODY
74 = 4 Dr (101.4WB)
72 = 2 Dr (101.4WB)

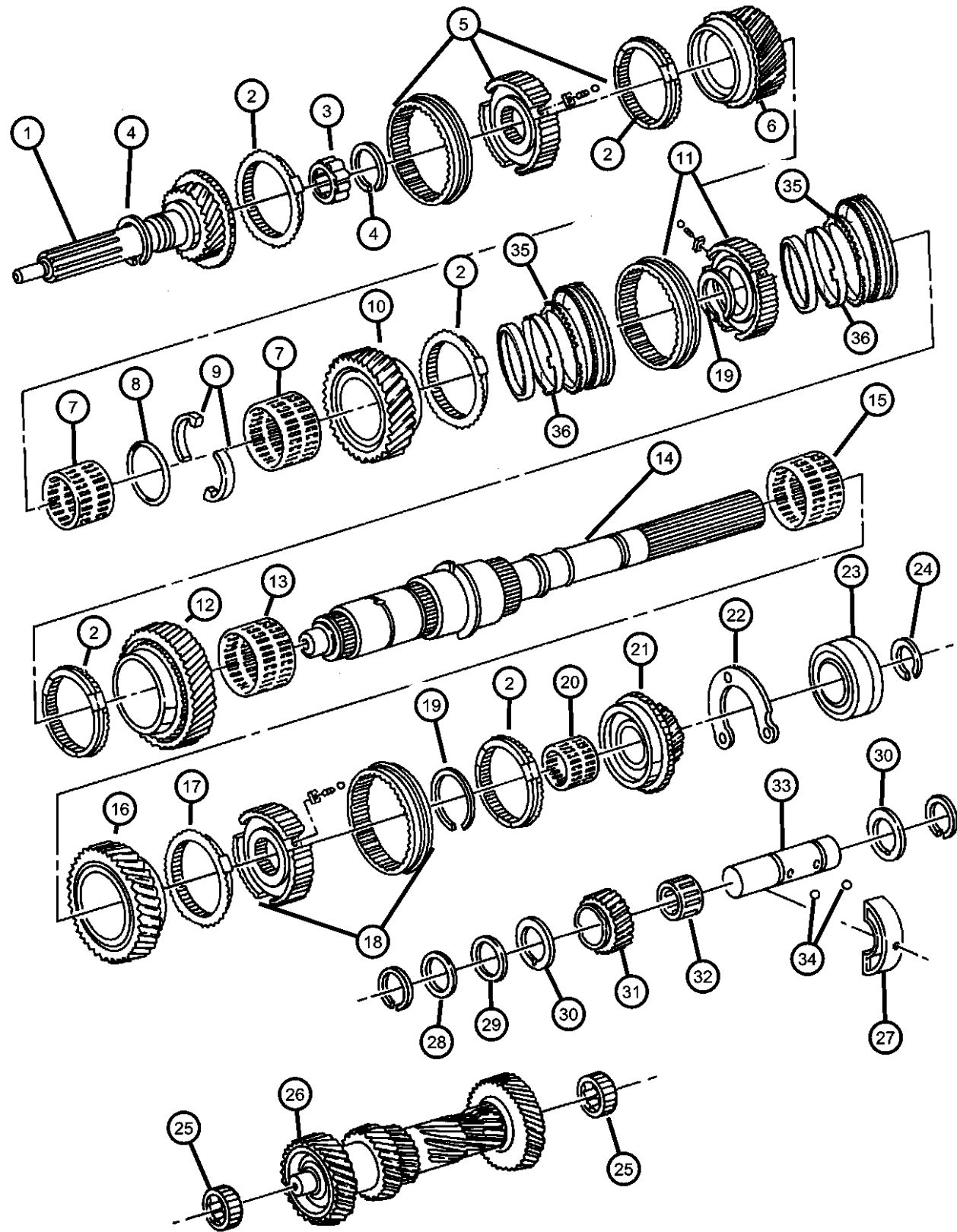
ENGINE
ENC = ENGINE - 2.5L 4 CYL
TURBO DIESEL
EPE = ENGINE - 2.5L POWER
TECH I-4 Cyl.
ERH = ENGINE - 4.0L
POWER TECH I-6

TRANSMISSION
DDD = TRANSMISSION - 5-SPEED
HD MANUAL
DDQ = TRANSMISSION - 5-SPEED
MANUAL
DGD = TRANSMISSION - 3-SPD.
AUTOMATIC,30RH
DGK = TRANSMISSION - 4-SPD.
AUTOMATIC,42RE
DGS = TRANSMISSION-4SPD.
AUTO,AISIN WARNER
DGT = TRANSMISSION - 4-SPD.
AUTOMATIC,46RE
DGW = TRANSMISSION - 4-SPD.
AUTOMATIC,44RE
DGX = TRANSMISSION - 4-SPEED
AUTOMATIC
DBB = ALL MANUAL
TRANSMISSIONS
DGO = ALL AUTOMATIC
TRANSMISSIONS

AR = use ase required - = Non illustrated part

2000 XJ

**Gear Train (DDD)
Figure 3550-410**



ITEM	PART NUMBER	QTY	LINE	SERIES	BODY	ENGINE	TRANS	TRIM	DESCRIPTION
		1	B, T			ER0	DDD		
		1	J, U			ER0	DDD		
7	05003039AA	1	J, U			ENC	DDD		NEEDLE BEARING, Second Gear
		1	B, T			ER0	DDD		
		1	J, U			ER0	DDD		
8	04897922AA	1	J, U			ENC	DDD		SNAP RING
		1	B, T			ER0	DDD		
		1	J, U			ER0	DDD		
9	05013192AA	2	J, U			ENC			WASHER, Output Shaft
		2	B, T			ER0	DDD		
		2	J, U			ER0	DDD		
10	05013194AA	1	J, U			ENC	DDD		GEAR, Second
		1	B, T			ER0	DDD		
		1	J, U			ER0	DDD		
11	05013191AA	1	J, U			ENC	DDD		SYNCHRONIZER, First and Second
		1	B, T			ER0	DDD		
		1	J, U			ER0	DDD		
12	05013189AA	1	J, U			ENC	DDD		GEAR, First

CHEROKEE (XJ)

SERIES
 H = Sport
 L = SE
 P = Classic
 S = Limited

LINE
 T = JEEP - 2WD
 B = JEEP - 2WD (RHD)
 J = JEEP - 4WD
 U = JEEP - 4WD (RHD)

BODY
 74 = 4 Dr (101.4WB)
 72 = 2 Dr (101.4WB)

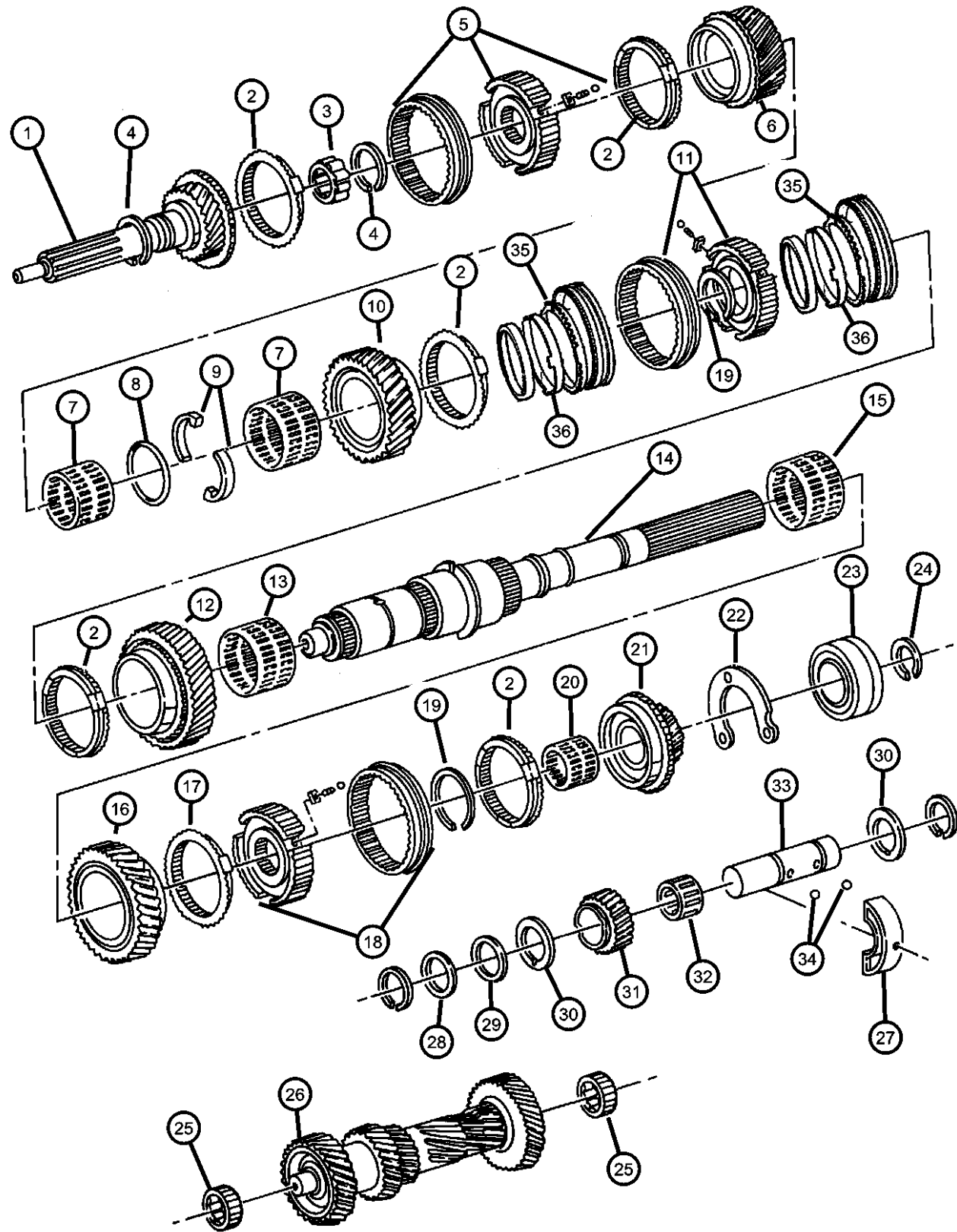
ENGINE
 ENC = ENGINE - 2.5L 4 CYL
 TURBO DIESEL
 EPE = ENGINE - 2.5L POWER
 TECH I-4 Cyl.
 ERH = ENGINE - 4.0L
 POWER TECH I-6

TRANSMISSION
 DDD = TRANSMISSION - 5-SPEED
 HD MANUAL
 DDQ = TRANSMISSION - 5-SPEED
 MANUAL
 DGD = TRANSMISSION - 3-SPD.
 AUTOMATIC,30RH
 DGK = TRANSMISSION - 4-SPD.
 AUTOMATIC,42RE
 DGS = TRANSMISSION-4SPD.
 AUTO,AISIN WARNER
 DGT = TRANSMISSION - 4-SPD.
 AUTOMATIC,46RE
 DGW = TRANSMISSION - 4-SPD.
 AUTOMATIC,44RE
 DGX = TRANSMISSION - 4-SPEED
 AUTOMATIC
 DBB = ALL MANUAL
 TRANSMISSIONS
 DGO = ALL AUTOMATIC
 TRANSMISSIONS

AR = use ase required - = Non illustrated part

2000 XJ

Gear Train (DDD)
Figure 3550-410



ITEM	PART NUMBER	QTY	LINE	SERIES	BODY	ENGINE	TRANS	TRIM	DESCRIPTION
		1	B, T			ER0	DDD		
		1	J, U			ER0	DDD		
13	04741871	1	J, U			ENC	DDD		NEEDLE BEARING, Transmission
		1	B, T			ER0	DDD		
		1	J, U			ER0	DDD		
14	05013180AA	1	J, U			ENC	DDD		SHAFT, Output
		1	J, U			ER0	DDD		
		1	B, T			ER0	DDD		
15	04741871	1	J, U			ENC	DDD		NEEDLE BEARING, Transmission
		1	B, T			ER0	DDD		
		1	J, U			ER0	DDD		
16	05013185AA	1	J, U			ENC	DDD		GEAR, Reverse
		1	B, T			ER0	DDD		
		1	J, U			ER0	DDD		
17	04741285	1	J, U			ENC	DDD		STOP RING, Synchronizer
		1	B, T			ER0	DDD		
		1	J, U			ER0	DDD		
18	04741278	1	J, U			ENC	DDD		SYNCHRONIZER, Fifth And Reverse

CHEROKEE (XJ)

SERIES LINE
H = Sport T = JEEP - 2WD
L = SE B = JEEP - 2WD (RHD)
P = Classic J = JEEP - 4WD
S = Limited U = JEEP - 4WD (RHD)

BODY
74 = 4 Dr (101.4WB)
72 = 2 Dr (101.4WB)

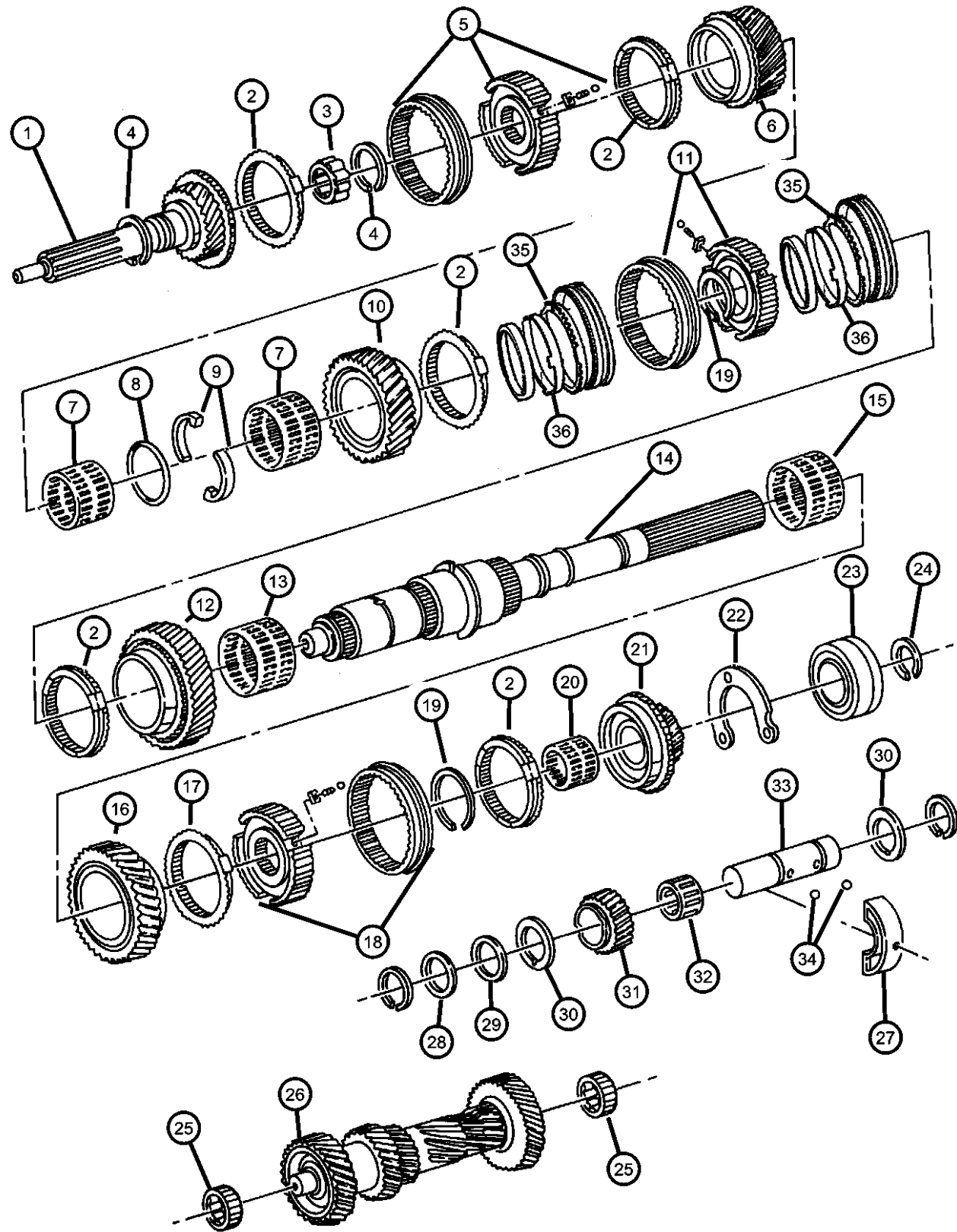
ENGINE
ENC = ENGINE - 2.5L 4 CYL TURBO DIESEL
EPE = ENGINE - 2.5L POWER TECH I-4 Cyl.
ERH = ENGINE - 4.0L POWER TECH I-6

TRANSMISSION
DDD = TRANSMISSION - 5-SPEED HD MANUAL
DDQ = TRANSMISSION - 5-SPEED MANUAL
DGD = TRANSMISSION - 3-SPD. AUTOMATIC,30RH
DGK = TRANSMISSION - 4-SPD. AUTOMATIC,42RE
DGS = TRANSMISSION-4SPD. AUTO,AISIN WARNER
DGT = TRANSMISSION - 4-SPD. AUTOMATIC,46RE
DGW = TRANSMISSION - 4-SPD. AUTOMATIC,44RE
DGX = TRANSMISSION - 4-SPEED AUTOMATIC
DBB = ALL MANUAL TRANSMISSIONS
DGO = ALL AUTOMATIC TRANSMISSIONS

AR = use ase required - = Non illustrated part

2000 XJ

**Gear Train (DDD)
Figure 3550-410**



ITEM	PART NUMBER	QTY	LINE	SERIES	BODY	ENGINE	TRANS	TRIM	DESCRIPTION
		1	B, T			ER0	DDD		
		1	J, U			ER0	DDD		
19		1	B, T			ER0	DDD		RING, Transmission
	04741805	1	J, U			ER0	DDD		
		1	J, U			ENC	DDD		
20		1	J, U			ENC	DDD		BEARING, Needle
	04741273	1	B, T			ER0	DDD		
		1	J, U			ER0	DDD		
21		1	J, U			ENC	DDD		GEAR, Fifth
	05015956AA	1	B, T			ER0	DDD		
		1	J, U			ER0	DDD		
22		1	J, U			ENC	DDD		RETAINER, Transmission Output Shaft Bearing
	04741114	1	J, U			ER0	DDD		
	04741116	1	B, T			ER0	DDD		
23		1	J, U			ENC	DDD		BEARING, Output Shaft
	04741866	1	B, T			ER0	DDD		
		1	J, U			ER0	DDD		
24		2	J, U			ENC			SNAP RING, Output Shaft Bearing
	04741266								

CHEROKEE (XJ)

SERIES LINE
 H = Sport T = JEEP - 2WD
 L = SE B = JEEP - 2WD (RHD)
 P = Classic J = JEEP - 4WD
 S = Limited U = JEEP - 4WD (RHD)

BODY
 74 = 4 Dr (101.4WB)
 72 = 2 Dr (101.4WB)

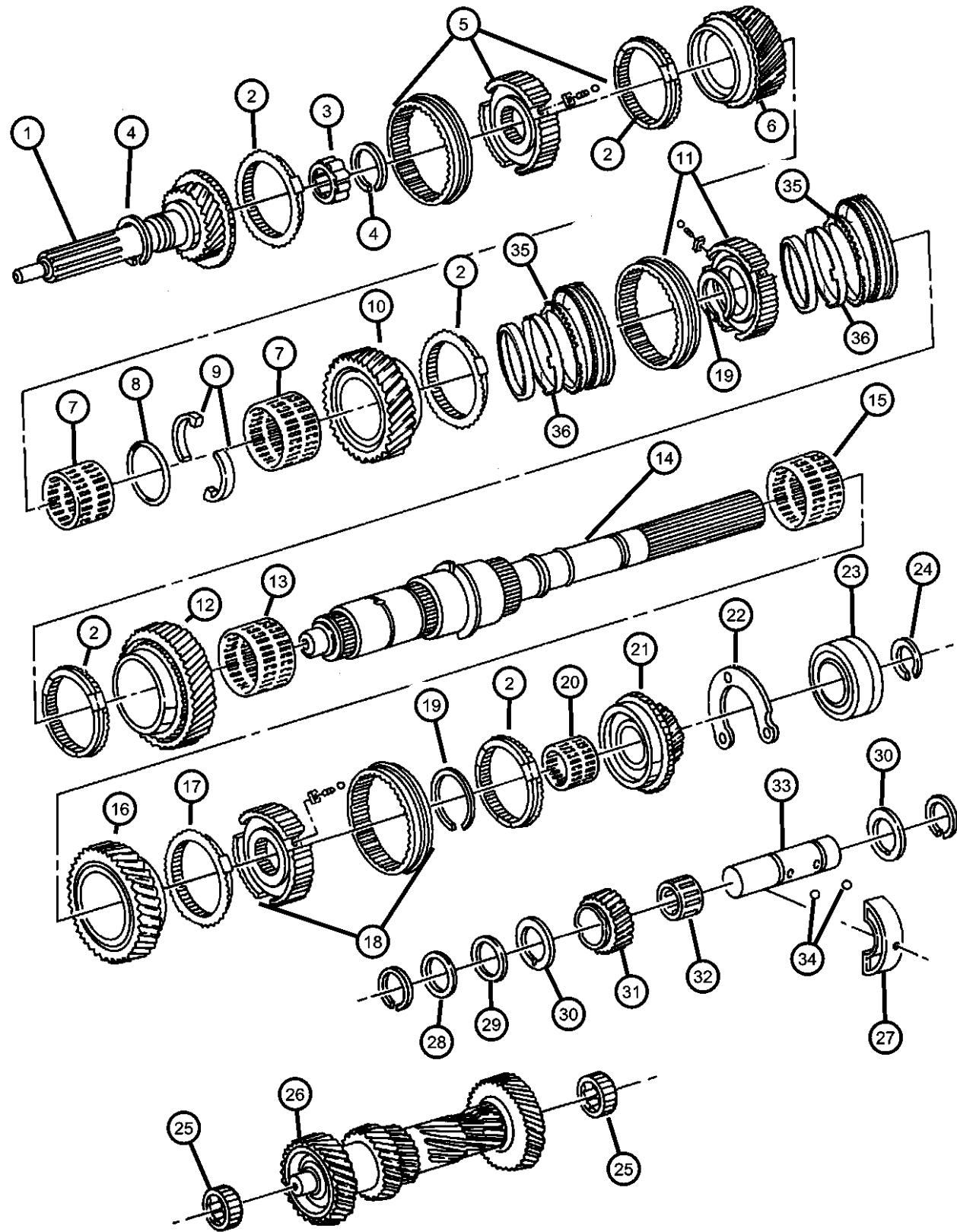
ENGINE
 ENC = ENGINE - 2.5L 4 CYL TURBO DIESEL
 EPE = ENGINE - 2.5L POWER TECH I-4 Cyl.
 ERH = ENGINE - 4.0L POWER TECH I-6

TRANSMISSION
 DDD = TRANSMISSION - 5-SPEED HD MANUAL
 DDQ = TRANSMISSION - 5-SPEED MANUAL
 DGD = TRANSMISSION - 3-SPD. AUTOMATIC,30RH
 DGK = TRANSMISSION - 4-SPD. AUTOMATIC,42RE
 DGS = TRANSMISSION-4SPD. AUTO,AISIN WARNER
 DGT = TRANSMISSION - 4-SPD. AUTOMATIC,46RE
 DGW = TRANSMISSION - 4-SPD. AUTOMATIC,44RE
 DGX = TRANSMISSION - 4-SPEED AUTOMATIC
 DBB = ALL MANUAL TRANSMISSIONS
 DGO = ALL AUTOMATIC TRANSMISSIONS

AR = use ase required - = Non illustrated part

2000 XJ

**Gear Train (DDD)
Figure 3550-410**



ITEM	PART NUMBER	QTY	LINE	SERIES	BODY	ENGINE	TRANS	TRIM	DESCRIPTION
25	05012971AA	2	B, T			ER0	DDD		BEARING, Countershaft
		2	J, U			ER0	DDD		
26	05015957AA	2	J, U			ENC			SHAFT, Counter
		2	B, T			ER0	DDD		
		2	J, U			ER0	DDD		
		1	J, U			ENC	DDD		
27	04741312	1	B, T			ER0	DDD		SUPPORT, Segment Idler Shaft
		1	J, U			ENC	DDD		
		1	J, U			ER0	DDD		
28	04741310	1	B, T			ER0	DDD		WASHER, Flat
		1	J, U			ENC	DDD		
		1	J, U			ER0	DDD		
29	04741309	1	B, T			ER0	DDD		WASHER, Idler Gear
		1	J, U			ENC	DDD		
		1	J, U			ER0	DDD		
30	04741307	2	J, U			ER0	DDD		THRUST WASHER, Reverse Idler
		2	J, U			ENC	DDD		

CHEROKEE (XJ)

SERIES LINE
H = Sport T = JEEP - 2WD
L = SE B = JEEP - 2WD (RHD)
P = Classic J = JEEP - 4WD
S = Limited U = JEEP - 4WD (RHD)

BODY
74 = 4 Dr (101.4WB)
72 = 2 Dr (101.4WB)

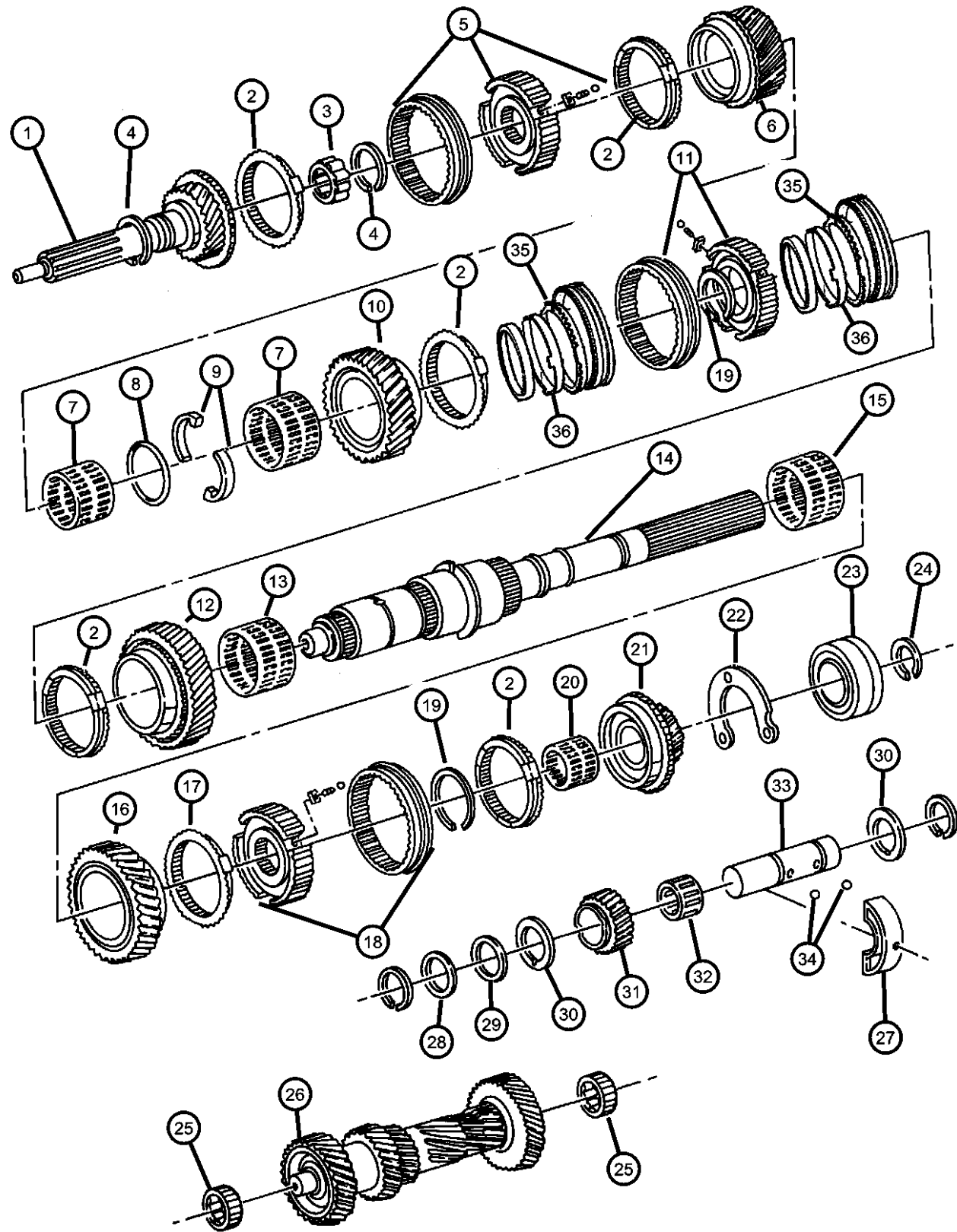
ENGINE
ENC = ENGINE - 2.5L 4 CYL TURBO DIESEL
EPE = ENGINE - 2.5L POWER TECH I-4 Cyl.
ERH = ENGINE - 4.0L POWER TECH I-6

TRANSMISSION
DDD = TRANSMISSION - 5-SPEED HD MANUAL
DDQ = TRANSMISSION - 5-SPEED MANUAL
DGD = TRANSMISSION - 3-SPD. AUTOMATIC,30RH
DGK = TRANSMISSION - 4-SPD. AUTOMATIC,42RE
DGS = TRANSMISSION-4SPD. AUTO,AISIN WARNER
DGT = TRANSMISSION - 4-SPD. AUTOMATIC,46RE
DGW = TRANSMISSION - 4-SPD. AUTOMATIC,44RE
DGX = TRANSMISSION - 4-SPEED AUTOMATIC
DBB = ALL MANUAL TRANSMISSIONS
DGO = ALL AUTOMATIC TRANSMISSIONS

AR = use ase required - = Non illustrated part

2000 XJ

**Gear Train (DDD)
Figure 3550-410**



ITEM	PART NUMBER	QTY	LINE	SERIES	BODY	ENGINE	TRANS	TRIM	DESCRIPTION
31		2	B, T			ER0	DDD		GEAR, Reverse Idler
	05013199AA	1	J, U			ENC	DDD		
		1	B, T			ER0	DDD		
		1	J, U			ER0	DDD		
32									BEARING, Idler
	04874359	1	J, U			ENC	DDD		
		1	B, T			ER0	DDD		
		1	J, U			ER0	DDD		
33									IDLER SHAFT, Transmission
	04741303	1	J, U			ENC	DDD		
		1	B, T			ER0	DDD		
		1	J, U			ER0	DDD		
34									BALL, Check, 4 mm
	04741891	2	J, U			ENC			
		2	B, T			ER0	DDD		
		2	J, U			ER0	DDD		
35									RING, Synchronizer Blocker
	04874363	2	J, U			ENC			
		2	B, T			ER0	DDD		
		2	J, U			ER0	DDD		
36									CONE, Synchronizer
	04874405	2	J, U			ENC			
		2	B, T			ER0	DDD		
		2	J, U			ER0	DDD		

CHEROKEE (XJ)

SERIES LINE
 H = Sport T = JEEP - 2WD
 L = SE B = JEEP - 2WD (RHD)
 P = Classic J = JEEP - 4WD
 S = Limited U = JEEP - 4WD (RHD)

BODY
 74 = 4 Dr (101.4WB)
 72 = 2 Dr (101.4WB)

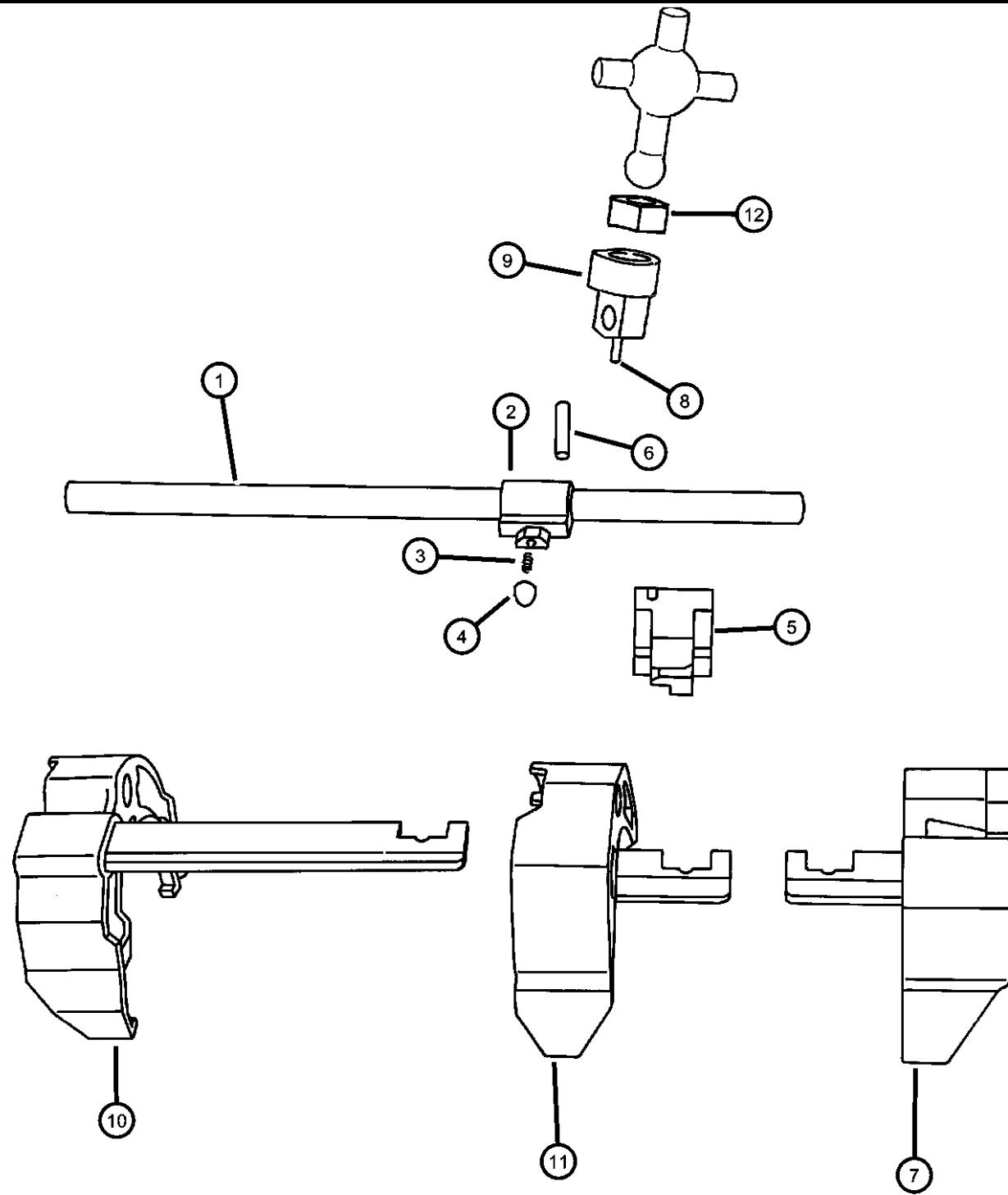
ENGINE
 ENC = ENGINE - 2.5L 4 CYL
 TURBO DIESEL
 EPE = ENGINE - 2.5L POWER
 TECH I-4 Cyl.
 ERH = ENGINE - 4.0L
 POWER TECH I-6

TRANSMISSION
 DDD = TRANSMISSION - 5-SPEED
 HD MANUAL
 DDQ = TRANSMISSION - 5-SPEED
 MANUAL
 DGD = TRANSMISSION - 3-SPD.
 AUTOMATIC,30RH
 DGK = TRANSMISSION - 4-SPD.
 AUTOMATIC,42RE
 DGS = TRANSMISSION-4SPD.
 AUTO,AISIN WARNER
 DGT = TRANSMISSION - 4-SPD.
 AUTOMATIC,46RE
 DGW = TRANSMISSION - 4-SPD.
 AUTOMATIC,44RE
 DGX = TRANSMISSION - 4-SPEED
 AUTOMATIC
 DBB = ALL MANUAL
 TRANSMISSIONS
 DGO = ALL AUTOMATIC
 TRANSMISSIONS

AR = use ase required - = Non illustrated part

2000 XJ

Fork and Rails (DDD)
Figure 3550-910



ITEM	PART NUMBER	QTY	LINE	SERIES	BODY	ENGINE	TRANS	TRIM	DESCRIPTION
------	-------------	-----	------	--------	------	--------	-------	------	-------------

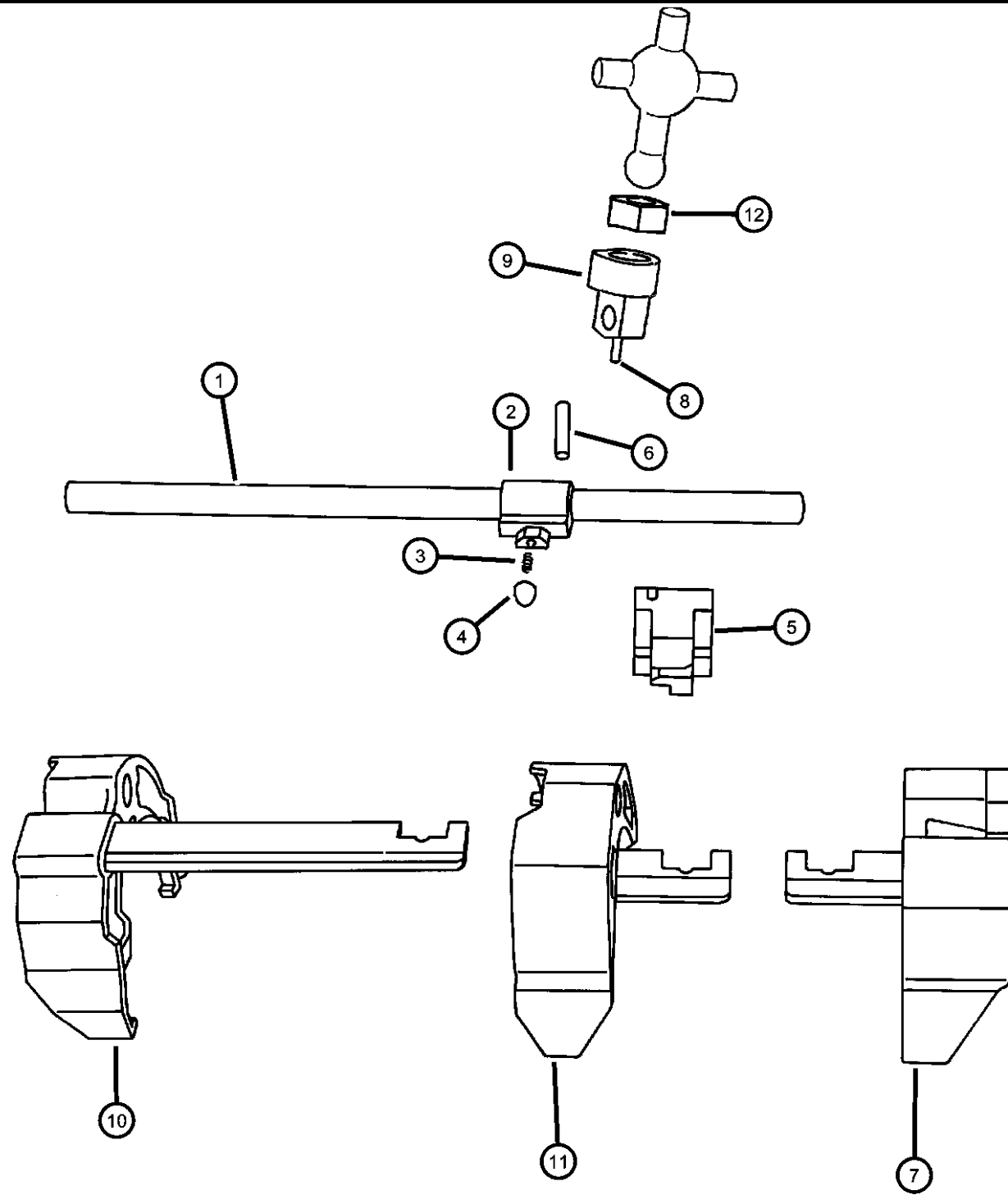
Notes:
ER0 = All 4.0L 6 Cylinder Gas Engine
ENC = 2.5L 4 Cylinder Turbo Diesel Engines
DDD = 5 Speed Manual Transmission

1	05015951AA	1	J, U			ENC	DDD		SHAFT, Selector
		1	B, T			ER0	DDD		
		1	J, U			ER0	DDD		
2	05014109AA	1	J, U			ENC	DDD		LEVER, Shift Shaft
		1	B, T			ER0	DDD		
		1	J, U			ER0	DDD		
3	04741137	AR	J, U			ENC			SPRING, Lever
		AR	B, T			ER0	DDD		
		AR	J, U			ER0	DDD		
4	05015949AA	1	J, U			ENC	DDD		PLUNGER
		1	B, T			ER0	DDD		
		1	J, U			ER0	DDD		
5	05012337AA	1	J, U			ENC	DDD		BUSHING, Transmission
		1	B, T			ER0	DDD		
		1	J, U			ER0	DDD		
6	04741138	1	J, U			ENC	DDD		PIN, Shift Shaft

CHEROKEE (XJ)		BODY	ENGINE	TRANSMISSION
SERIES	LINE	74 = 4 Dr (101.4WB)	ENC = ENGINE - 2.5L 4 CYL TURBO DIESEL	DDD = TRANSMISSION - 5-SPEED HD MANUAL
H = Sport	T = JEEP - 2WD	72 = 2 Dr (101.4WB)	EPE = ENGINE - 2.5L POWER TECH I-4 Cyl.	DDQ = TRANSMISSION - 5-SPEED MANUAL
L = SE	B = JEEP - 2WD (RHD)		ERH = ENGINE - 4.0L POWER TECH I-6	DGD = TRANSMISSION - 3-SPD. AUTOMATIC,30RH
P = Classic	J = JEEP - 4WD			DGK = TRANSMISSION - 4-SPD. AUTOMATIC,42RE
S = Limited	U = JEEP - 4WD (RHD)			DGS = TRANSMISSION-4SPD. AUTO,AISIN WARNER
				DGT = TRANSMISSION - 4-SPD. AUTOMATIC,46RE
				DGW = TRANSMISSION - 4-SPD. AUTOMATIC,44RE
				DGX = TRANSMISSION - 4-SPEED AUTOMATIC
				DBB = ALL MANUAL TRANSMISSIONS
				DGO = ALL AUTOMATIC TRANSMISSIONS

AR = use ase required - = Non illustrated part

Fork and Rails (DDD)
Figure 3550-910



ITEM	PART NUMBER	QTY	LINE	SERIES	BODY	ENGINE	TRANS	TRIM	DESCRIPTION
7	05015950AA	1	B, T			ER0	DDD		FORK, Third and Fourth
		1	J, U			ER0	DDD		
8	04741139	1	J, U			ENC	DDD		PIN, Shift Shaft
		1	B, T			ER0	DDD		
9	04874352	1	J, U			ENC	DDD		SOCKET, Shift Shaft
		1	B, T			ER0	DDD		
10	04773563AB	1	J, U			ENC	DDD		FORK, Transmission
		1	B, T			ER0	DDD		
11	05013178AA	1	J, U			ENC	DDD		FORK, First and Second
		1	B, T			ER0	DDD		
12	05012020AA	1	J, U			ER0	DDD		ISOLATOR, Shift Lever
		1	B, T			ENC	DDD		

CHEROKEE (XJ)

SERIES LINE
H = Sport T = JEEP - 2WD
L = SE B = JEEP - 2WD (RHD)
P = Classic J = JEEP - 4WD
S = Limited U = JEEP - 4WD (RHD)

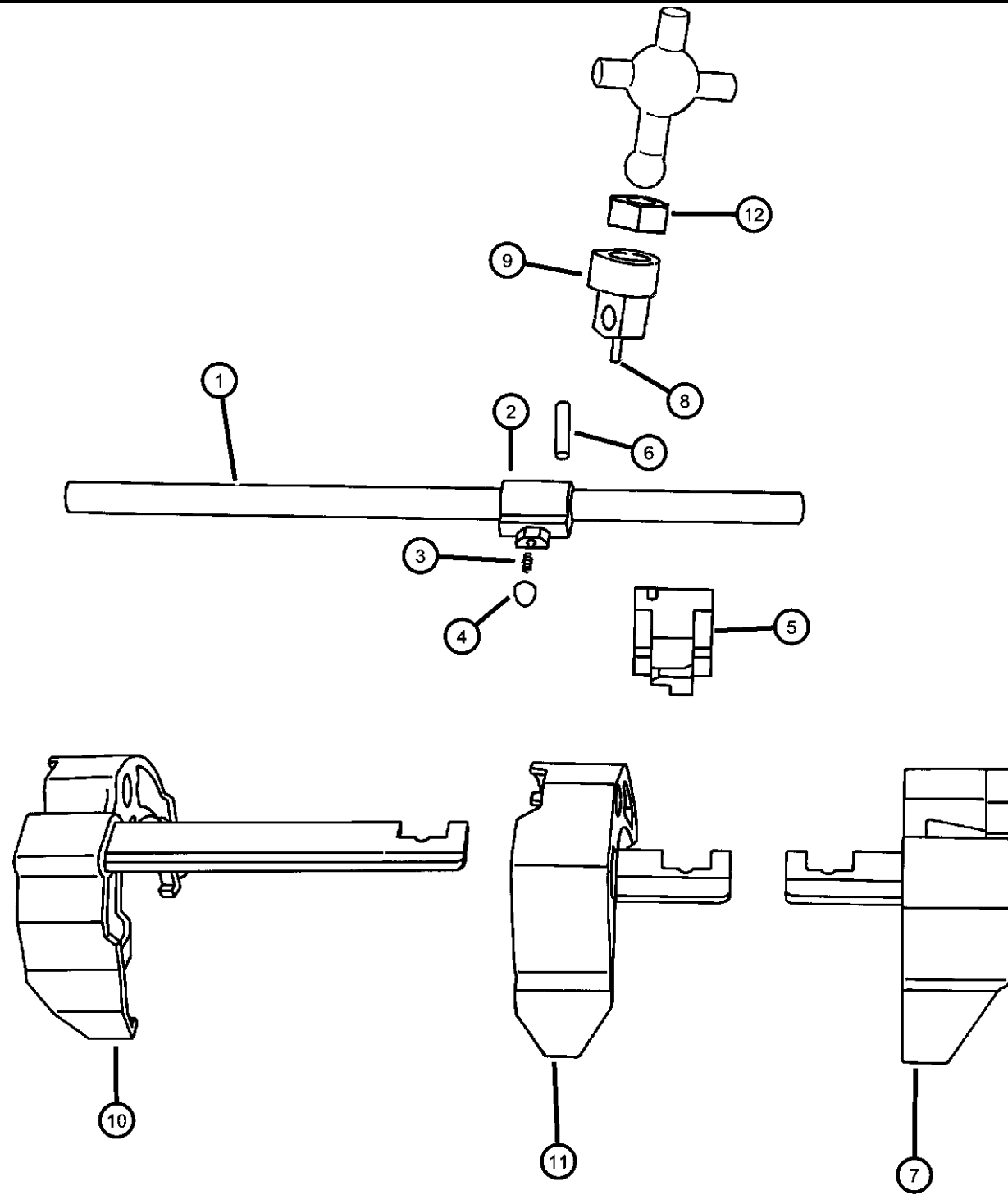
BODY
74 = 4 Dr (101.4WB)
72 = 2 Dr (101.4WB)

ENGINE
ENC = ENGINE - 2.5L 4 CYL TURBO DIESEL
EPE = ENGINE - 2.5L POWER TECH I-4 Cyl.
ERH = ENGINE - 4.0L POWER TECH I-6

TRANSMISSION
DDD = TRANSMISSION - 5-SPEED HD MANUAL
DDQ = TRANSMISSION - 5-SPEED MANUAL
DGD = TRANSMISSION - 3-SPD. AUTOMATIC,30RH
DGK = TRANSMISSION - 4-SPD. AUTOMATIC,42RE
DGS = TRANSMISSION-4SPD. AUTO,AISIN WARNER
DGT = TRANSMISSION - 4-SPD. AUTOMATIC,46RE
DGW = TRANSMISSION - 4-SPD. AUTOMATIC,44RE
DGX = TRANSMISSION - 4-SPEED AUTOMATIC
DBB = ALL MANUAL TRANSMISSIONS
DGO = ALL AUTOMATIC TRANSMISSIONS

AR = use ase required - = Non illustrated part

Fork and Rails (DDD)
Figure 3550-910



ITEM	PART NUMBER	QTY	LINE	SERIES	BODY	ENGINE	TRANS	TRIM	DESCRIPTION
------	-------------	-----	------	--------	------	--------	-------	------	-------------

		1	B, T			ER0	DDD		
		1	J, U			ER0	DDD		

CHEROKEE (XJ)

SERIES	LINE
H = Sport	T = JEEP - 2WD
L = SE	B = JEEP - 2WD (RHD)
P = Classic	J = JEEP - 4WD
S = Limited	U = JEEP - 4WD (RHD)

BODY
74 = 4 Dr (101.4WB)
72 = 2 Dr (101.4WB)

ENGINE
ENC = ENGINE - 2.5L 4 CYL TURBO DIESEL
EPE = ENGINE - 2.5L POWER TECH I-4 Cyl.
ERH = ENGINE - 4.0L POWER TECH I-6

TRANSMISSION
DDD = TRANSMISSION - 5-SPEED HD MANUAL
DDQ = TRANSMISSION - 5-SPEED MANUAL
DGD = TRANSMISSION - 3-SPD. AUTOMATIC,30RH
DGK = TRANSMISSION - 4-SPD. AUTOMATIC,42RE
DGS = TRANSMISSION-4SPD. AUTO,AISIN WARNER
DGT = TRANSMISSION - 4-SPD. AUTOMATIC,46RE
DGW = TRANSMISSION - 4-SPD. AUTOMATIC,44RE
DGX = TRANSMISSION - 4-SPEED AUTOMATIC
DBB = ALL MANUAL TRANSMISSIONS
DGO = ALL AUTOMATIC TRANSMISSIONS

AR = use ase required - = Non illustrated part

**Gearshift Controls (DDD)
Figure 3550-1210**

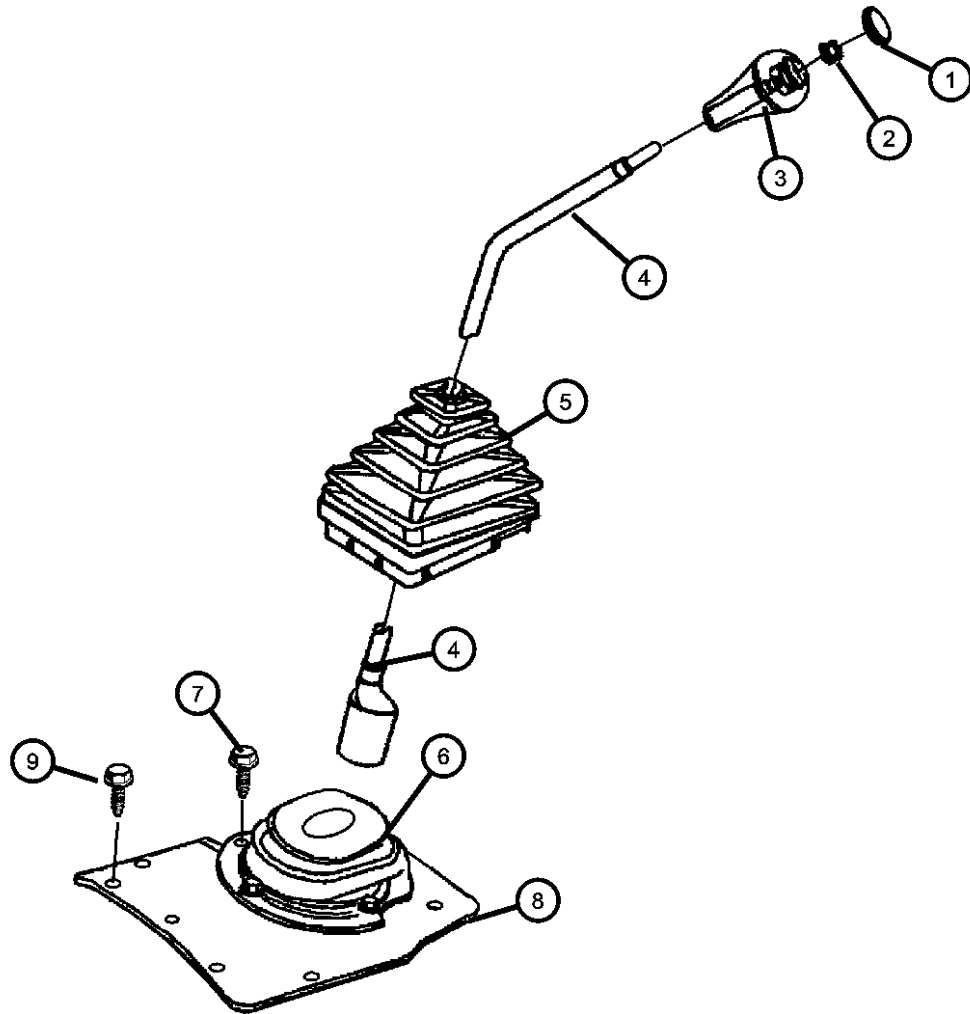
ITEM	PART NUMBER	QTY	LINE	SERIES	BODY	ENGINE	TRANS	TRIM	DESCRIPTION
------	-------------	-----	------	--------	------	--------	-------	------	-------------

Notes:

DD0 = All 5 Speed Manual Transmission

DBB = All Manual Transmissions

1	04446921	1					DD0		INSERT, Transmission Shift Knob
2	06502556	1					DBB		NUT, Hex, M10-1.5
3	52104174	1					DD0		KNOB, Gearshift
4									LEVER, Gearshift
	52104163AB	1	B, U				DBB		
	52104166AB	1	J, T				DBB		
5	52104079AC	1					DBB		BOOT, Gear Shift Lever
6	52104170	1					DDD		BOOT, Gear Shift Lever
7	11502843	7					DDD		SCREW, Hex Flange Head, M4.2x1.41x13.00
8	52104169	1					DDD		COVER, Floor Pan
9	52104169	1							SCREW, Hex Self Tapping, .19-16x.50, (NOT SERVICED)



CHEROKEE (XJ)

SERIES

H = Sport
L = SE
P = Classic
S = Limited

LINE

T = JEEP - 2WD
B = JEEP - 2WD (RHD)
J = JEEP - 4WD
U = JEEP - 4WD (RHD)

BODY

74 = 4 Dr (101.4WB)
72 = 2 Dr (101.4WB)

ENGINE

ENC = ENGINE - 2.5L 4 CYL TURBO DIESEL
EPE = ENGINE - 2.5L POWER TECH I-4 Cyl.
ERH = ENGINE - 4.0L POWER TECH I-6

TRANSMISSION

DDD = TRANSMISSION - 5-SPEED HD MANUAL
DDQ = TRANSMISSION - 5-SPEED MANUAL
DGD = TRANSMISSION - 3-SPD. AUTOMATIC,30RH
DGK = TRANSMISSION - 4-SPD. AUTOMATIC,42RE
DGS = TRANSMISSION-4SPD. AUTO,AISIN WARNER
DGT = TRANSMISSION - 4-SPD. AUTOMATIC,46RE
DGW = TRANSMISSION - 4-SPD. AUTOMATIC,44RE
DGX = TRANSMISSION - 4-SPEED AUTOMATIC
DBB = ALL MANUAL TRANSMISSIONS
DGO = ALL AUTOMATIC TRANSMISSIONS

AR = use ase required - = Non illustrated part

2000 XJ

Group - AX

Manual Transmission 5 Speed

Group - AX Manual Transmission 5 Speed

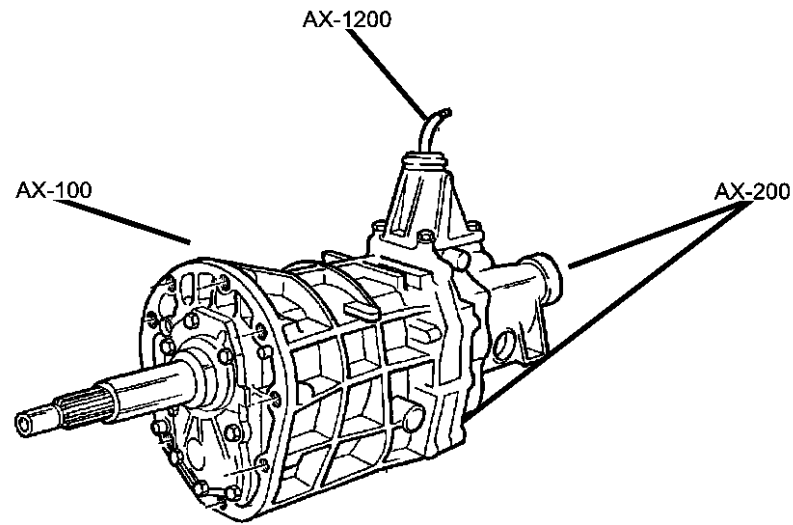


Illustration Title

Group-Fig. No.

Transmission Assembly

Transmission (DDQ) Fig. AX - 110

Case and Extension

Case and Extension AX5 (DDQ)..... Fig. AX - 210

Gear Train

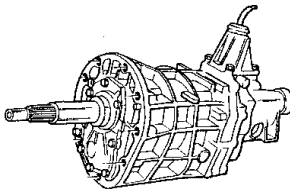
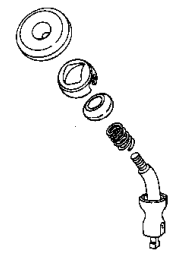
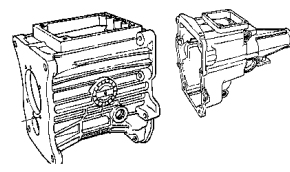
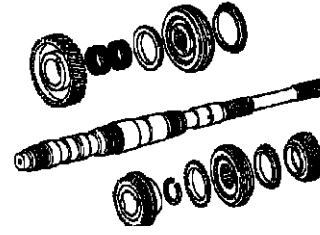
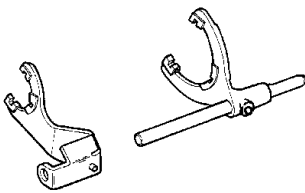
Gear Train AX 5 (DDQ)..... Fig. AX - 410

Fork and Rails

Forks AX 5 (DDQ)..... Fig. AX - 910

Gearshift Controls

Gearshift Controls (DDQ)..... Fig. AX - 1215

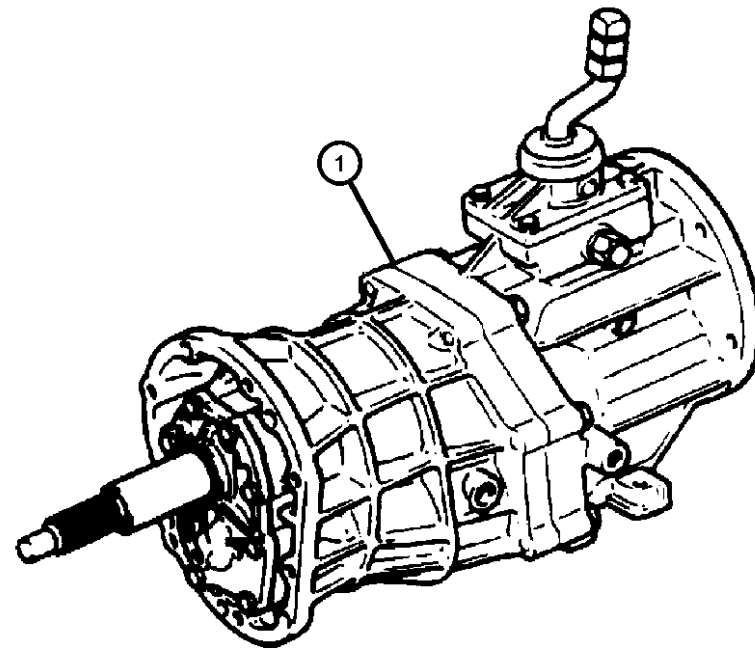
<p>AX-100 Transmission Assembly</p> 	<p>AX-1200 Gearshift Controls</p> 	<p>AX-200 Case and Extension</p> 	<p>AX-400 Gear Train</p> 
<p>AX-900 Fork and Rails</p> 			

Transmission (DDQ)
Figure AX-110

ITEM	PART NUMBER	QTY	LINE	SERIES	BODY	ENGINE	TRANS	TRIM	DESCRIPTION
------	-------------	-----	------	--------	------	--------	-------	------	-------------

Notes:
DDQ = 5 Speed Manual Transmission
EP0 = All 2.5L Gas Engines

1									TRANSMISSION, 5 Speed
	52104546	1	B, T			EP0	DDQ		
	52104547	1	J, U			EP0	DDQ		



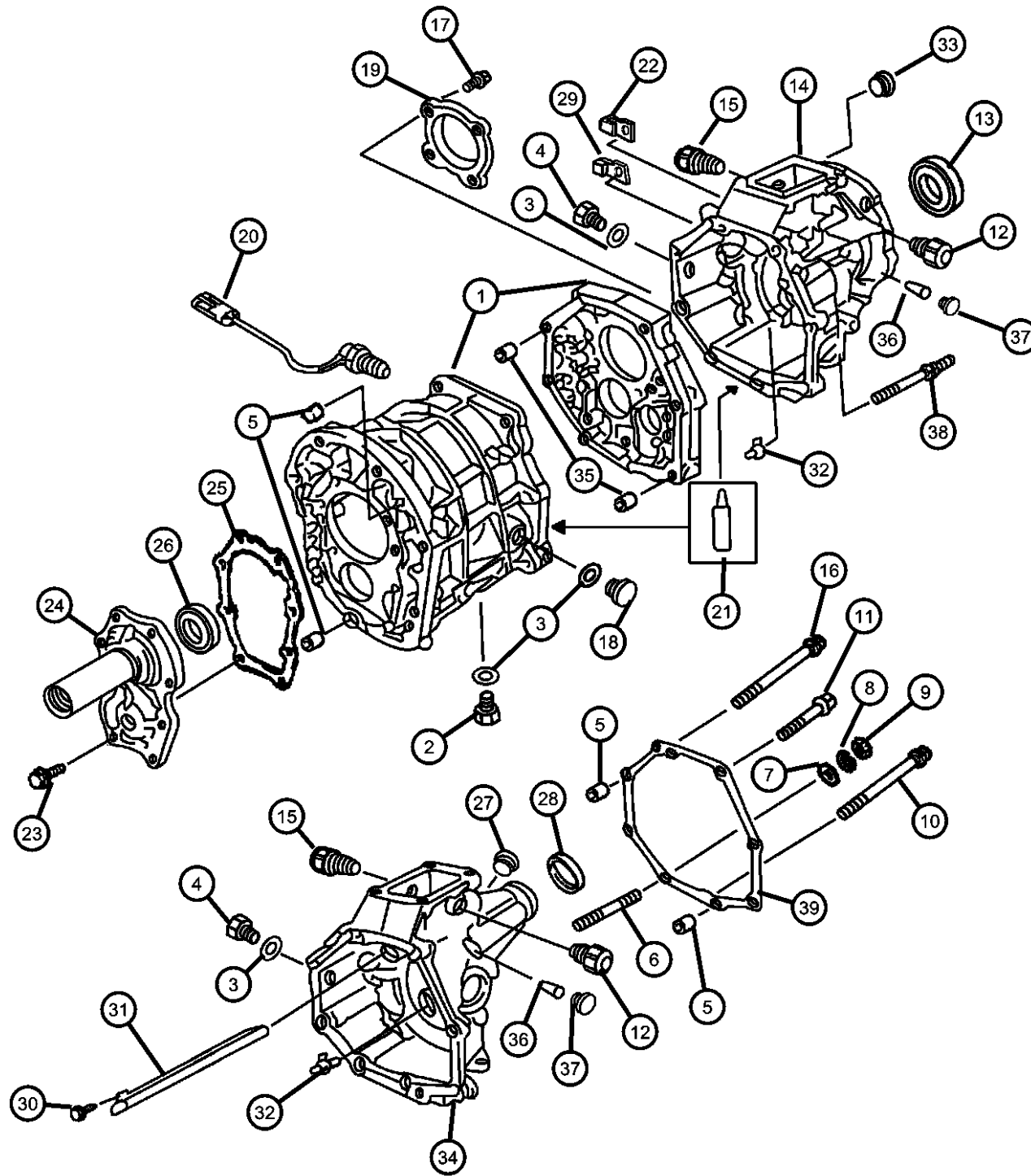
CHEROKEE (XJ)

SERIES	LINE	BODY	ENGINE	TRANSMISSION
H = Sport	T = JEEP - 2WD	74 = 4 Dr (101.4WB)	ENC = ENGINE - 2.5L 4 CYL TURBO DIESEL	DDD = TRANSMISSION - 5-SPEED HD MANUAL
L = SE	B = JEEP - 2WD (RHD)	72 = 2 Dr (101.4WB)	EPE = ENGINE - 2.5L POWER TECH I-4 Cyl.	DDQ = TRANSMISSION - 5-SPEED MANUAL
P = Classic	J = JEEP - 4WD		ERH = ENGINE - 4.0L POWER TECH I-6	DGD = TRANSMISSION - 3-SPD. AUTOMATIC,30RH
S = Limited	U = JEEP - 4WD (RHD)			DGK = TRANSMISSION - 4-SPD. AUTOMATIC,42RE
				DGS = TRANSMISSION-4SPD. AUTO,AISIN WARNER
				DGT = TRANSMISSION - 4-SPD. AUTOMATIC,46RE
				DGW = TRANSMISSION - 4-SPD. AUTOMATIC,44RE
				DGX = TRANSMISSION - 4-SPEED AUTOMATIC
				DBB = ALL MANUAL TRANSMISSIONS
				DGO = ALL AUTOMATIC TRANSMISSIONS

AR = use ase required - = Non illustrated part

2000 XJ

Case and Extension AX5 (DDQ)
Figure AX-210



ITEM	PART NUMBER	QTY	LINE	SERIES	BODY	ENGINE	TRANS	TRIM	DESCRIPTION
------	-------------	-----	------	--------	------	--------	-------	------	-------------

Notes:

DDQ = 5 Speed Manual Transmission

EP0 = All 2.5L Gas Engines

1	04897581AA	1	B, T			EP0	DDQ		CASE, Transmission
		1	J, U			EP0	DDQ		
2	04543303	1	B, T			EP0	DDQ		PLUG, Differential Drain
		1	J, U			EP0	DDQ		52104546
3	83500513	3	B, T			EP0	DDQ		GASKET, Drain Plug
		3	J, U			EP0	DDQ		52104547
4	83503548	1	B, T			EP0	DDQ		BOLT
		1	J, U			EP0	DDQ		52104547
5	83500504	4	J, U			EP0	DDQ		PIN, Locating
		4	B, T			EP0	DDQ		52104546
6	83500618	1	J, U			EP0	DDQ		STUD, Double Ended, M10x1.25x98, 52104547
7	83500627	1	B, T			EP0	DDQ		WASHER, Flat
		1	J, U			EP0	DDQ		52104547
8	83500626	1	B, T			EP0	DDQ		WASHER, Lock
		1	J, U			EP0	DDQ		

CHEROKEE (XJ)

SERIES

H = Sport

L = SE

P = Classic

S = Limited

LINE

T = JEEP - 2WD

B = JEEP - 2WD (RHD)

J = JEEP - 4WD

U = JEEP - 4WD (RHD)

BODY

74 = 4 Dr (101.4WB)

72 = 2 Dr (101.4WB)

ENGINE

ENC = ENGINE - 2.5L 4 CYL

TURBO DIESEL

EPE = ENGINE - 2.5L POWER

TECH I-4 Cyl.

ERH = ENGINE - 4.0L

POWER TECH I-6

TRANSMISSION

DDD = TRANSMISSION - 5-SPEED

HD MANUAL

DDQ = TRANSMISSION - 5-SPEED

MANUAL

DGD = TRANSMISSION - 3-SPD.

AUTOMATIC,30RH

DGK = TRANSMISSION - 4-SPD.

AUTOMATIC,42RE

DGS = TRANSMISSION-4SPD.

AUTO,AISIN WARNER

DGT = TRANSMISSION - 4-SPD.

AUTOMATIC,46RE

DGW = TRANSMISSION - 4-SPD.

AUTOMATIC,44RE

DGX = TRANSMISSION - 4-SPEED

AUTOMATIC

DBB = ALL MANUAL

TRANSMISSIONS

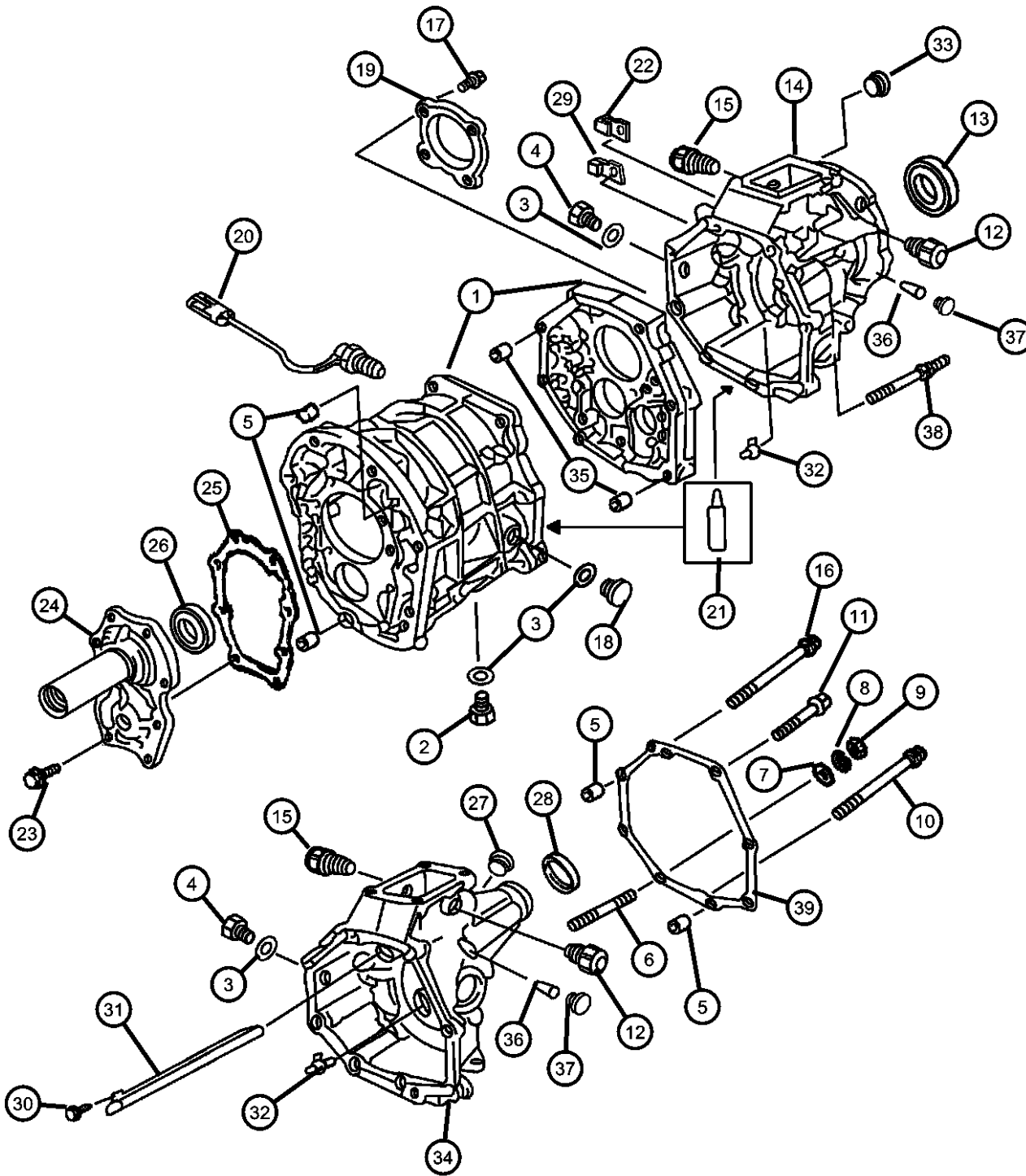
DGO = ALL AUTOMATIC

TRANSMISSIONS

AR = use ase required - = Non illustrated part

2000 XJ

Case and Extension AX5 (DDQ)
Figure AX-210



ITEM	PART NUMBER	QTY	LINE	SERIES	BODY	ENGINE	TRANS	TRIM	DESCRIPTION
9	83500625	1	J, U			EP0	DDQ		NUT, Transmission Case
		1	B, T			EP0	DDQ		52104547
		1	B, T			EP0	DDQ		52104546
10	83503547	1	B, T			EP0	DDQ		BOLT
		1	J, U			EP0	DDQ		52104547
11	83503549	5	B, T			EP0	DDQ		BOLT
		5	J, U			EP0	DDQ		
12	83500516	1	B, T			EP0	DDQ		PIN, Reverse Restrict
		1	J, U			EP0	DDQ		52104546
		1	J, U			EP0	DDQ		52104547
13	83503108	1	J, U			EP0	DDQ		SEAL, Adapter, 52104547
14	83506037	1	J, U			EP0	DDQ		ADAPTER, Transmission
15	83500515	1	B, T			EP0	DDQ		PIN, Reverse
		1	J, U			EP0	DDQ		52104546
		1	J, U			EP0	DDQ		52104547
16	83503547	1	B, T			EP0	DDQ		BOLT
		1	J, U			EP0	DDQ		
17	83500511	4	J, U			EP0	DDQ		SCREW, Manual Transmission
		4	B, T			EP0	DDQ		52104547
		4	B, T			EP0	DDQ		52104546
18	83500623	1	B, T			EP0	DDQ		PLUG, Oil Fill
		1	B, T			EP0	DDQ		52104546

CHEROKEE (XJ)

SERIES LINE
H = Sport T = JEEP - 2WD
L = SE B = JEEP - 2WD (RHD)
P = Classic J = JEEP - 4WD
S = Limited U = JEEP - 4WD (RHD)

BODY
74 = 4 Dr (101.4WB)
72 = 2 Dr (101.4WB)

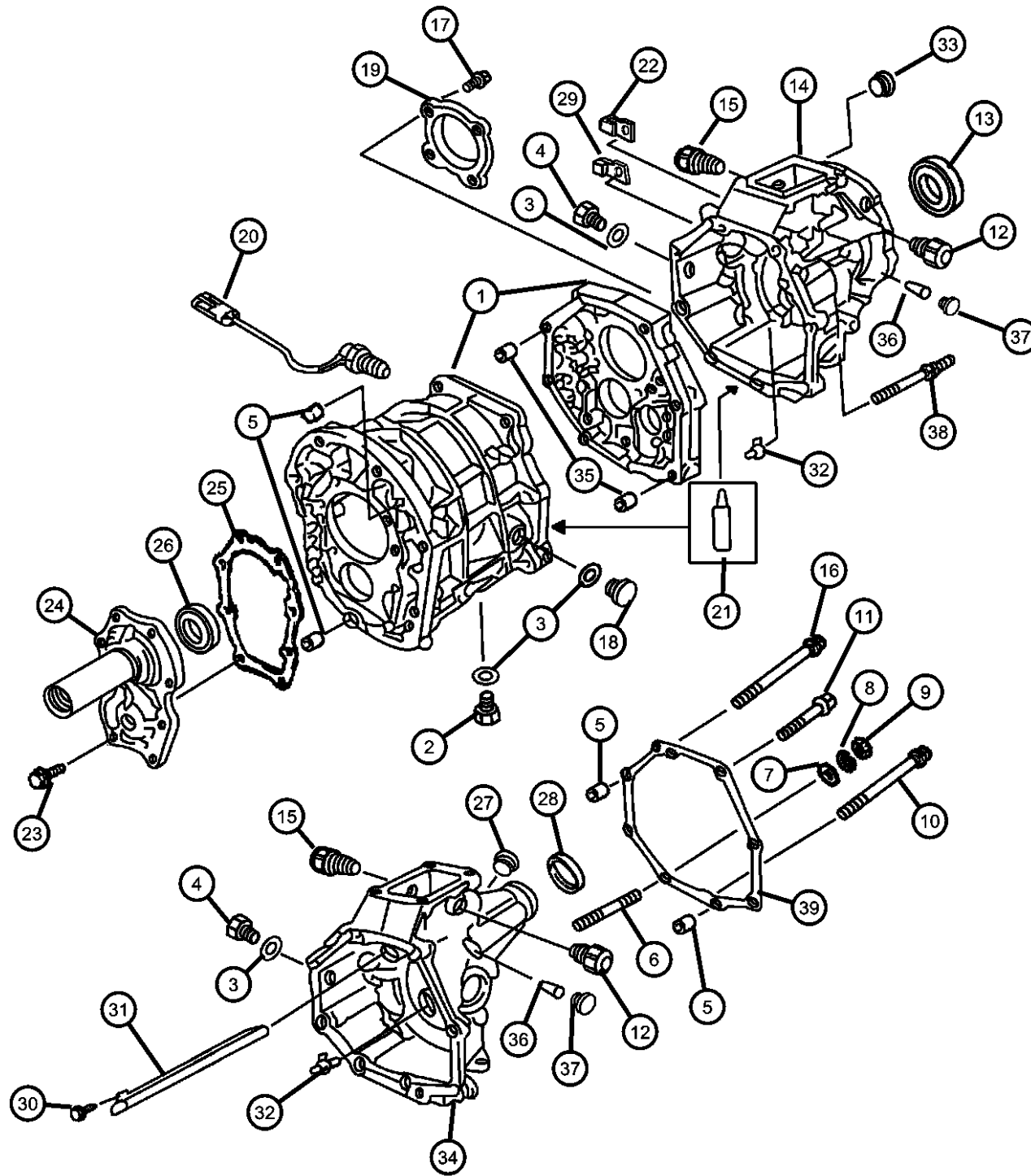
ENGINE
ENC = ENGINE - 2.5L 4 CYL
TURBO DIESEL
EPE = ENGINE - 2.5L POWER
TECH I-4 Cyl.
ERH = ENGINE - 4.0L
POWER TECH I-6

TRANSMISSION
DDD = TRANSMISSION - 5-SPEED
HD MANUAL
DDQ = TRANSMISSION - 5-SPEED
MANUAL
DGD = TRANSMISSION - 3-SPD.
AUTOMATIC,30RH
DGK = TRANSMISSION - 4-SPD.
AUTOMATIC,42RE
DGS = TRANSMISSION-4SPD.
AUTO,AISIN WARNER
DGT = TRANSMISSION - 4-SPD.
AUTOMATIC,46RE
DGW = TRANSMISSION - 4-SPD.
AUTOMATIC,44RE
DGX = TRANSMISSION - 4-SPEED
AUTOMATIC
DBB = ALL MANUAL
TRANSMISSIONS
DGO = ALL AUTOMATIC
TRANSMISSIONS

AR = use ase required - = Non illustrated part

2000 XJ

Case and Extension AX5 (DDQ)
Figure AX-210



ITEM	PART NUMBER	QTY	LINE	SERIES	BODY	ENGINE	TRANS	TRIM	DESCRIPTION
19		1	J, U			EP0	DDQ		52104547 RETAINER, Bearing
	83506034	1	B, T			EP0	DDQ		52104546
		1	J, U			EP0	DDQ		52104547
20		1	B, T			EP0	DDQ		52104546 SWITCH, Back Up Lamp
	83500629	1	J, U			EP0	DDQ		52104547
21		1	B, T			EP0	DDQ		52104546 SEALANT, RTV
	04318025	1	B, T			EP0	DDQ		52104546
	05010884AA	1	B, T			EP0	DDQ		
		1	J, U			EP0	DDQ		
22		1	B, T			EP0	DDQ		52104546 CLAMP, Transmission
	83503551	1	J, U			EP0	DDQ		52104547
23		8	B, T			EP0	DDQ		52104546 SCREW, Hex Head, M8x1.25x25
	34201818	8	J, U			EP0	DDQ		52104547
24		1	J, U			EP0	DDQ		52104547 RETAINER, Bearing
	04746025	1	B, T			EP0	DDQ		52104546
	83506034	1	B, T			EP0	DDQ		52104546 GASKET, Input Gear Retainer
25		1	B, T			EP0	DDQ		52104546
	83500505	1	J, U			EP0	DDQ		52104547
26		1	B, T			EP0	DDQ		52104546 SEAL, Main Shaft
	83506045	1	B, T			EP0	DDQ		52104546

CHEROKEE (XJ)

SERIES

H = Sport
L = SE
P = Classic
S = Limited

LINE

T = JEEP - 2WD
B = JEEP - 2WD (RHD)
J = JEEP - 4WD
U = JEEP - 4WD (RHD)

BODY

74 = 4 Dr (101.4WB)
72 = 2 Dr (101.4WB)

ENGINE

ENC = ENGINE - 2.5L 4 CYL
TURBO DIESEL
EPE = ENGINE - 2.5L POWER
TECH I-4 Cyl.
ERH = ENGINE - 4.0L
POWER TECH I-6

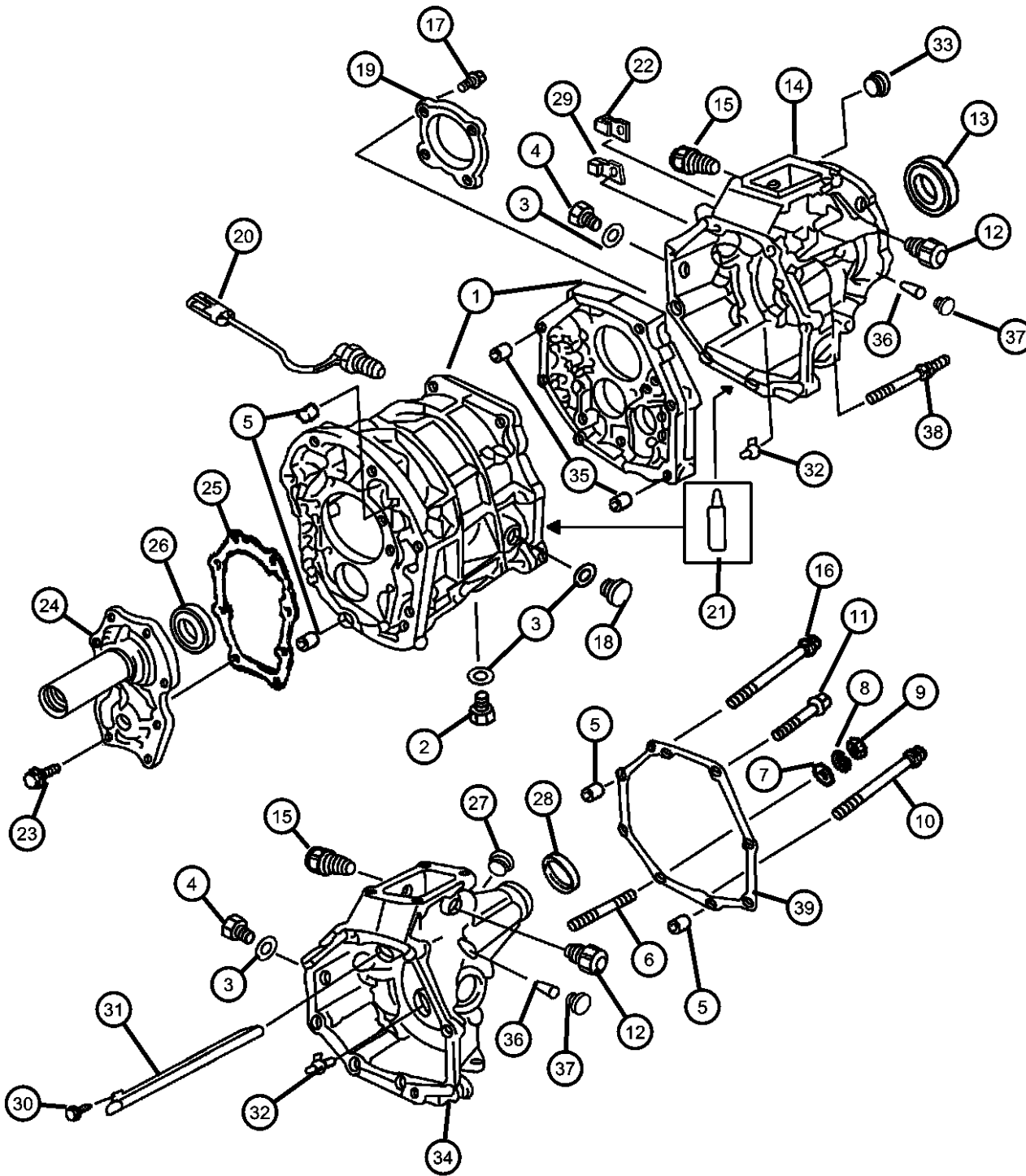
TRANSMISSION

DDD = TRANSMISSION - 5-SPEED
HD MANUAL
DDQ = TRANSMISSION - 5-SPEED
MANUAL
DGD = TRANSMISSION - 3-SPD.
AUTOMATIC,30RH
DGK = TRANSMISSION - 4-SPD.
AUTOMATIC,42RE
DGS = TRANSMISSION-4SPD.
AUTO,AISIN WARNER
DGT = TRANSMISSION - 4-SPD.
AUTOMATIC,46RE
DGW = TRANSMISSION - 4-SPD.
AUTOMATIC,44RE
DGX = TRANSMISSION - 4-SPEED
AUTOMATIC
DBB = ALL MANUAL
TRANSMISSIONS
DGO = ALL AUTOMATIC
TRANSMISSIONS

AR = use ase required - = Non illustrated part

2000 XJ

Case and Extension AX5 (DDQ)
Figure AX-210



ITEM	PART NUMBER	QTY	LINE	SERIES	BODY	ENGINE	TRANS	TRIM	DESCRIPTION
		1	J, U			EP0	DDQ		52104547
27	83502124	1	B, T			EP0	DDQ		PLUG, Extension Housing, 52104546
28	83502118	1	B, T			EP0	DDQ		SEAL, Extension, 52104546
29									CLAMP, Transmission
	83500631	1	B, T			EP0	DDQ		52104546
		1	J, U			EP0	DDQ		52104547
30	83502126	1	B, T			EP0	DDQ		BOLT, Oil Receiver Pipe
31	83502122	1	B, T			EP0	DDQ		PIPE, Oil Receiver
32									PIPE, Oil Receiver
	83500646	1	B, T			EP0	DDQ		
		1	J, U			EP0	DDQ		
33	83503109	AR	J, U			EP0	DDQ		CAP, Detent
34	83506013	1	B, T			EP0	DDQ		HOUSING, Transmission Rear Extension
35									PIN, Locating
	05003663AA	2	J, U			EP0	DDQ		
		2	B, T			EP0	DDQ		
36									PIN, Shift Shaft
	83500540	3	J, U			EP0	DDQ		
		3	B, T			EP0	DDQ		
37									PLUG, Transmission
	83500524	6	B, T			EP0	DDQ		
		6	J, U			EP0	DDQ		
38	83500972	1	J, U			EP0	DDQ		STUD, Hex Shoulder, M10x1.25x105
39	83500972	1							GASKET, (NOT REQUIRED)

CHEROKEE (XJ)

SERIES LINE
H = Sport T = JEEP - 2WD
L = SE B = JEEP - 2WD (RHD)
P = Classic J = JEEP - 4WD
S = Limited U = JEEP - 4WD (RHD)

BODY
74 = 4 Dr (101.4WB)
72 = 2 Dr (101.4WB)

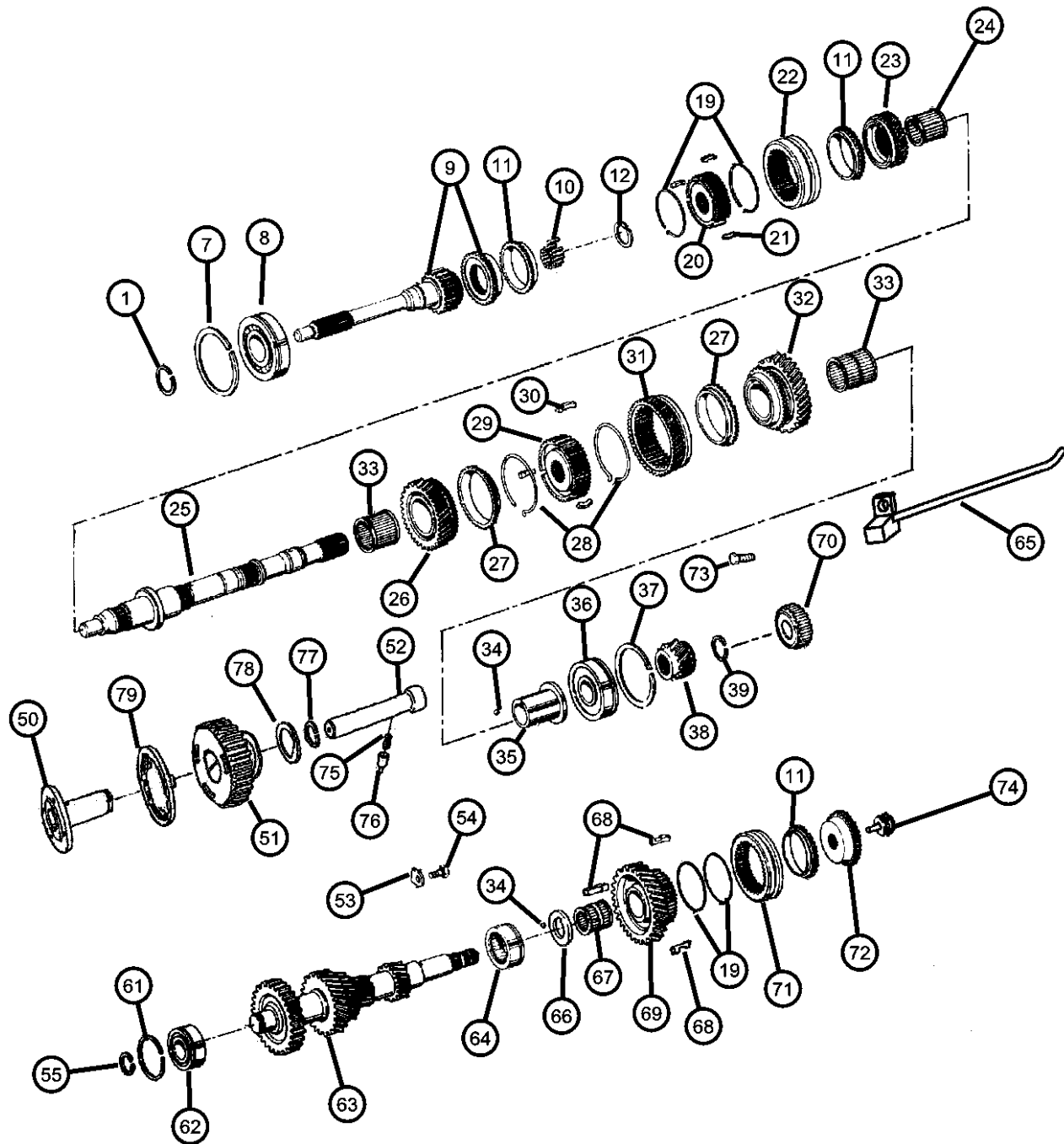
ENGINE
ENC = ENGINE - 2.5L 4 CYL
TURBO DIESEL
EPE = ENGINE - 2.5L POWER
TECH I-4 Cyl.
ERH = ENGINE - 4.0L
POWER TECH I-6

TRANSMISSION
DDD = TRANSMISSION - 5-SPEED
HD MANUAL
DDQ = TRANSMISSION - 5-SPEED
MANUAL
DGD = TRANSMISSION - 3-SPD.
AUTOMATIC,30RH
DGK = TRANSMISSION - 4-SPD.
AUTOMATIC,42RE
DGS = TRANSMISSION-4SPD.
AUTO,AISIN WARNER
DGT = TRANSMISSION - 4-SPD.
AUTOMATIC,46RE
DGW = TRANSMISSION - 4-SPD.
AUTOMATIC,44RE
DGX = TRANSMISSION - 4-SPEED
AUTOMATIC
DBB = ALL MANUAL
TRANSMISSIONS
DGO = ALL AUTOMATIC
TRANSMISSIONS

AR = use ase required - = Non illustrated part

2000 XJ

**Gear Train AX 5 (DDQ)
Figure AX-410**



ITEM	PART NUMBER	QTY	LINE	SERIES	BODY	ENGINE	TRANS	TRIM	DESCRIPTION
------	-------------	-----	------	--------	------	--------	-------	------	-------------

Notes:
DDQ = 5 Speed Manual Transmission
EP0 = All 2.5L Gas Engines

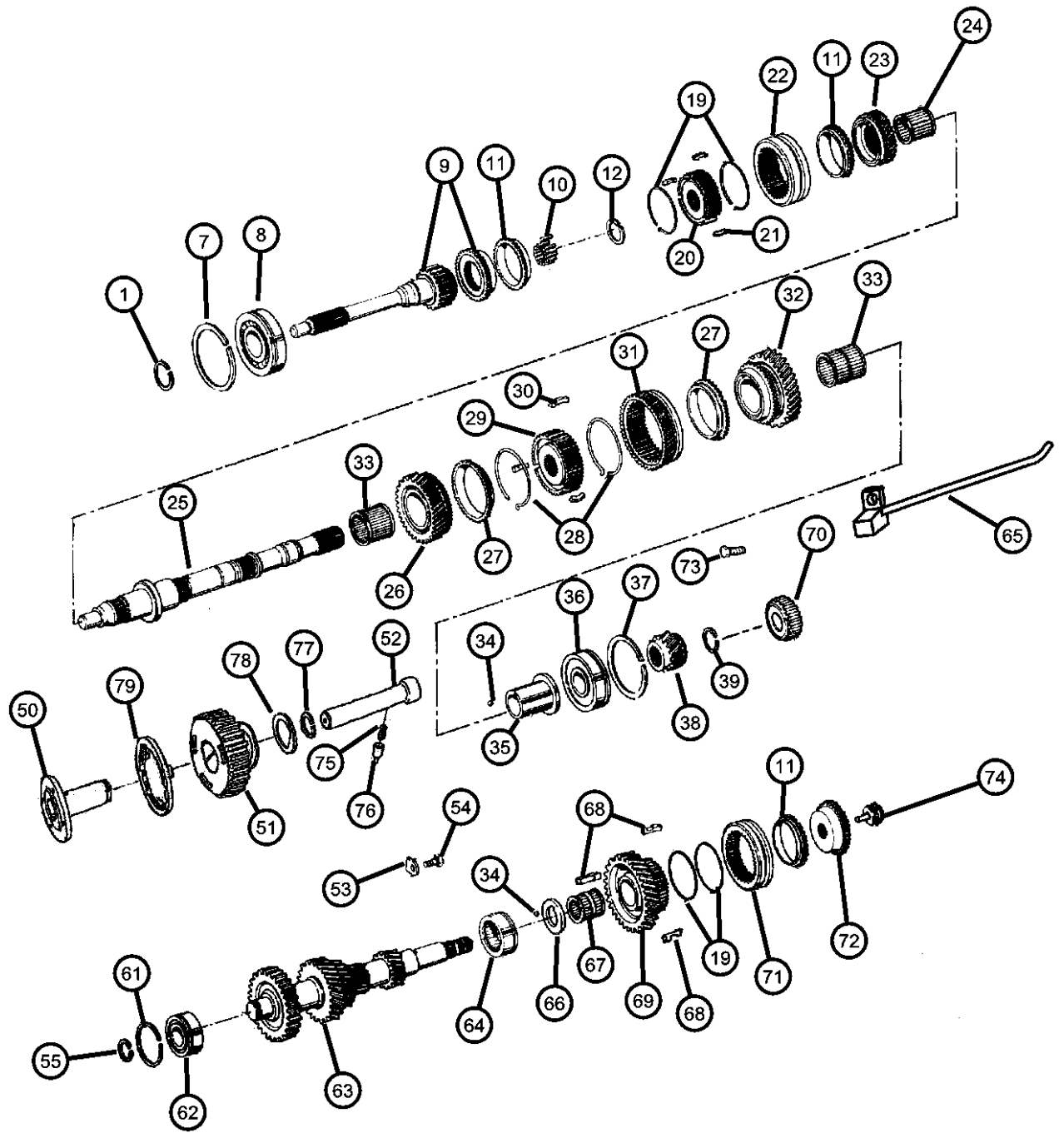
1	83500645	1	B, T			EP0	DDQ		SNAP RING 52104546
		1	J, U			EP0	DDQ		52104547
-2	83500607	1	B, T			EP0	DDQ		SNAP RING, Input Shaft, 2.10mm 52104546
		1	J, U			EP0	DDQ		52104547
-3	83500608	1	B, T			EP0	DDQ		SNAP RING, Input Shaft, 2.15mm 52104546
		1	J, U			EP0	DDQ		52104547
-4	83500609	1	B, T			EP0	DDQ		SNAP RING, Input Shaft, 2.20mm 52104546
		1	J, U			EP0	DDQ		52104547
-5	83500610	1	B, T			EP0	DDQ		SNAP RING, Input Shaft, 2.25mm 52104546
		1	J, U			EP0	DDQ		52104547
-6	83500611	1	B, T			EP0	DDQ		SNAP RING, Input Shaft, 2.30mm 52104546
		1	J, U			EP0	DDQ		52104547
7	83500614	1	B, T			EP0	DDQ		SNAP RING 52104546
		1	J, U			EP0	DDQ		52104547
8	83502681	1	B, T			EP0	DDQ		BEARING, Input Shaft 52104546

CHEROKEE (XJ)

SERIES	LINE	BODY	ENGINE	TRANSMISSION
H = Sport	T = JEEP - 2WD	74 = 4 Dr (101.4WB)	ENC = ENGINE - 2.5L 4 CYL TURBO DIESEL	DDD = TRANSMISSION - 5-SPEED HD MANUAL
L = SE	B = JEEP - 2WD (RHD)	72 = 2 Dr (101.4WB)	EPE = ENGINE - 2.5L POWER TECH I-4 Cyl.	DDQ = TRANSMISSION - 5-SPEED MANUAL
P = Classic	J = JEEP - 4WD		ERH = ENGINE - 4.0L POWER TECH I-6	DGD = TRANSMISSION - 3-SPD. AUTOMATIC,30RH
S = Limited	U = JEEP - 4WD (RHD)			DGK = TRANSMISSION - 4-SPD. AUTOMATIC,42RE
				DGS = TRANSMISSION-4SPD. AUTO,AISIN WARNER
				DGT = TRANSMISSION - 4-SPD. AUTOMATIC,46RE
				DGW = TRANSMISSION - 4-SPD. AUTOMATIC,44RE
				DGX = TRANSMISSION - 4-SPEED AUTOMATIC
				DBB = ALL MANUAL TRANSMISSIONS
				DGO = ALL AUTOMATIC TRANSMISSIONS

AR = use ase required - = Non illustrated part

**Gear Train AX 5 (DDQ)
Figure AX-410**



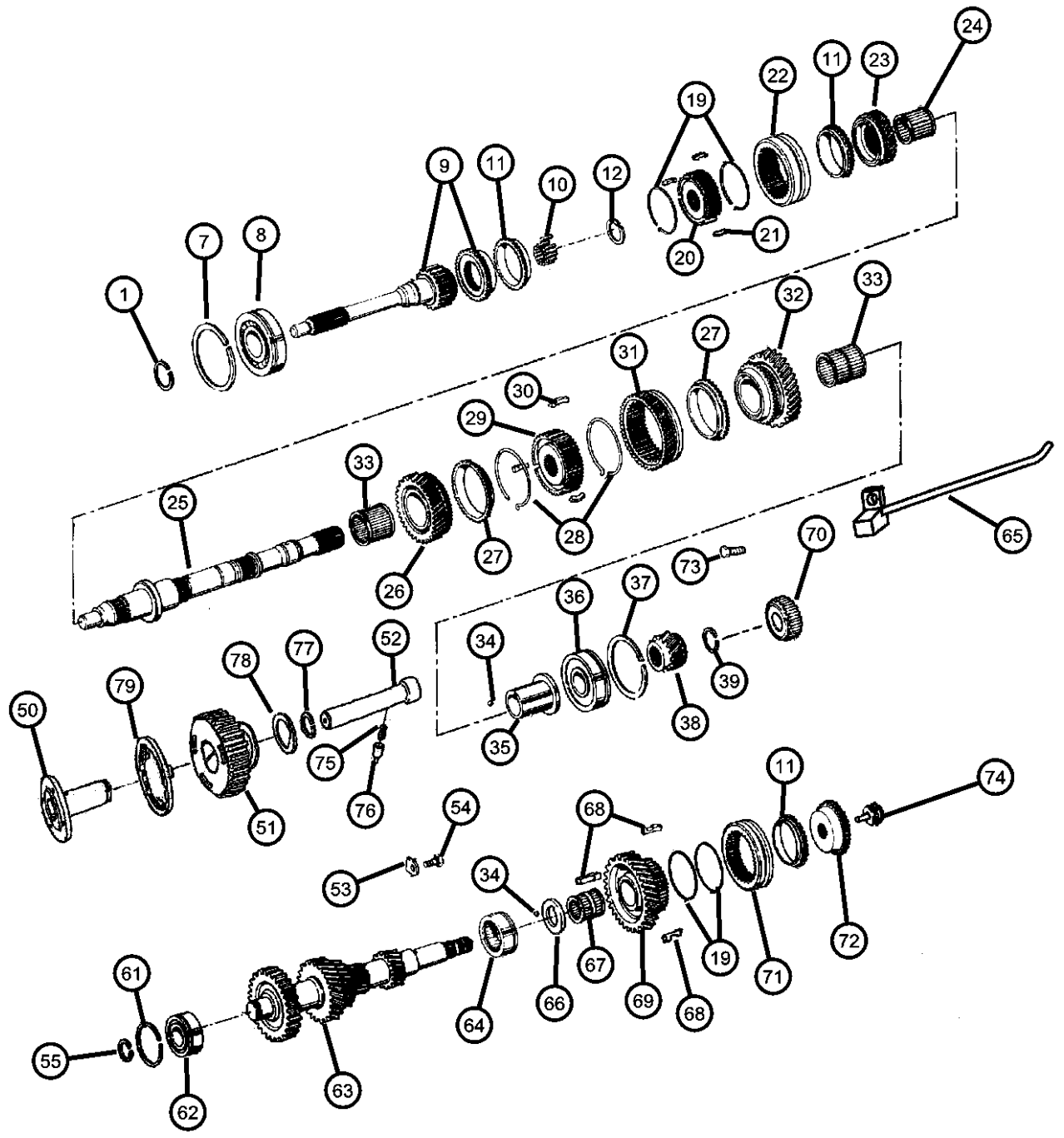
ITEM	PART NUMBER	QTY	LINE	SERIES	BODY	ENGINE	TRANS	TRIM	DESCRIPTION
9		1	J, U			EP0	DDQ		52107747 SHAFT, Input
	83506020	1	B, T			EP0	DDQ		52104546
		1	J, U			EP0	DDQ		52104547
10		13	J, U			EP0	DDQ		52104547 ROLLER, Input Gear
	83502680	13	B, T			EP0	DDQ		52104546
11		3	B, T			EP0	DDQ		52104546 STOP RING, Synchronizer
	83500566	3	J, U			EP0	DDQ		52104547
		2	B, T			EP0	DDQ		52104546
		2	J, U			EP0	DDQ		52104547
12		1	B, T			EP0	DDQ		52104546 SNAP RING, Mainshaft, 1.75mm
	83500598	1	J, U			EP0	DDQ		52104547
-13		1	B, T			EP0	DDQ		52104546 SNAP RING, Mainshaft, 1.80mm
	83500599	1	J, U			EP0	DDQ		52104547
-14		1	B, T			EP0	DDQ		52104546 SNAP RING, Mainshaft, 1.85mm
	83500602	1	J, U			EP0	DDQ		52104547
-15		1	B, T			EP0	DDQ		52104546 SNAP RING, Mainshaft, 1.90mm
	83500603	1	J, U			EP0	DDQ		52104547
-16		1	B, T			EP0	DDQ		52104546 SNAP RING, Mainshaft, 1.95mm

CHEROKEE (XJ)

SERIES	LINE	BODY	ENGINE	TRANSMISSION
H = Sport	T = JEEP - 2WD	74 = 4 Dr (101.4WB)	ENC = ENGINE - 2.5L 4 CYL TURBO DIESEL	DDD = TRANSMISSION - 5-SPEED HD MANUAL
L = SE	B = JEEP - 2WD (RHD)	72 = 2 Dr (101.4WB)	EPE = ENGINE - 2.5L POWER TECH I-4 Cyl.	DDQ = TRANSMISSION - 5-SPEED MANUAL
P = Classic	J = JEEP - 4WD		ERH = ENGINE - 4.0L POWER TECH I-6	DGD = TRANSMISSION - 3-SPD. AUTOMATIC,30RH
S = Limited	U = JEEP - 4WD (RHD)			DGK = TRANSMISSION - 4-SPD. AUTOMATIC,42RE
				DGS = TRANSMISSION-4SPD. AUTO,AISIN WARNER
				DGT = TRANSMISSION - 4-SPD. AUTOMATIC,46RE
				DGW = TRANSMISSION - 4-SPD. AUTOMATIC,44RE
				DGX = TRANSMISSION - 4-SPEED AUTOMATIC
				DBB = ALL MANUAL TRANSMISSIONS
				DGO = ALL AUTOMATIC TRANSMISSIONS

AR = use ase required - = Non illustrated part

**Gear Train AX 5 (DDQ)
Figure AX-410**



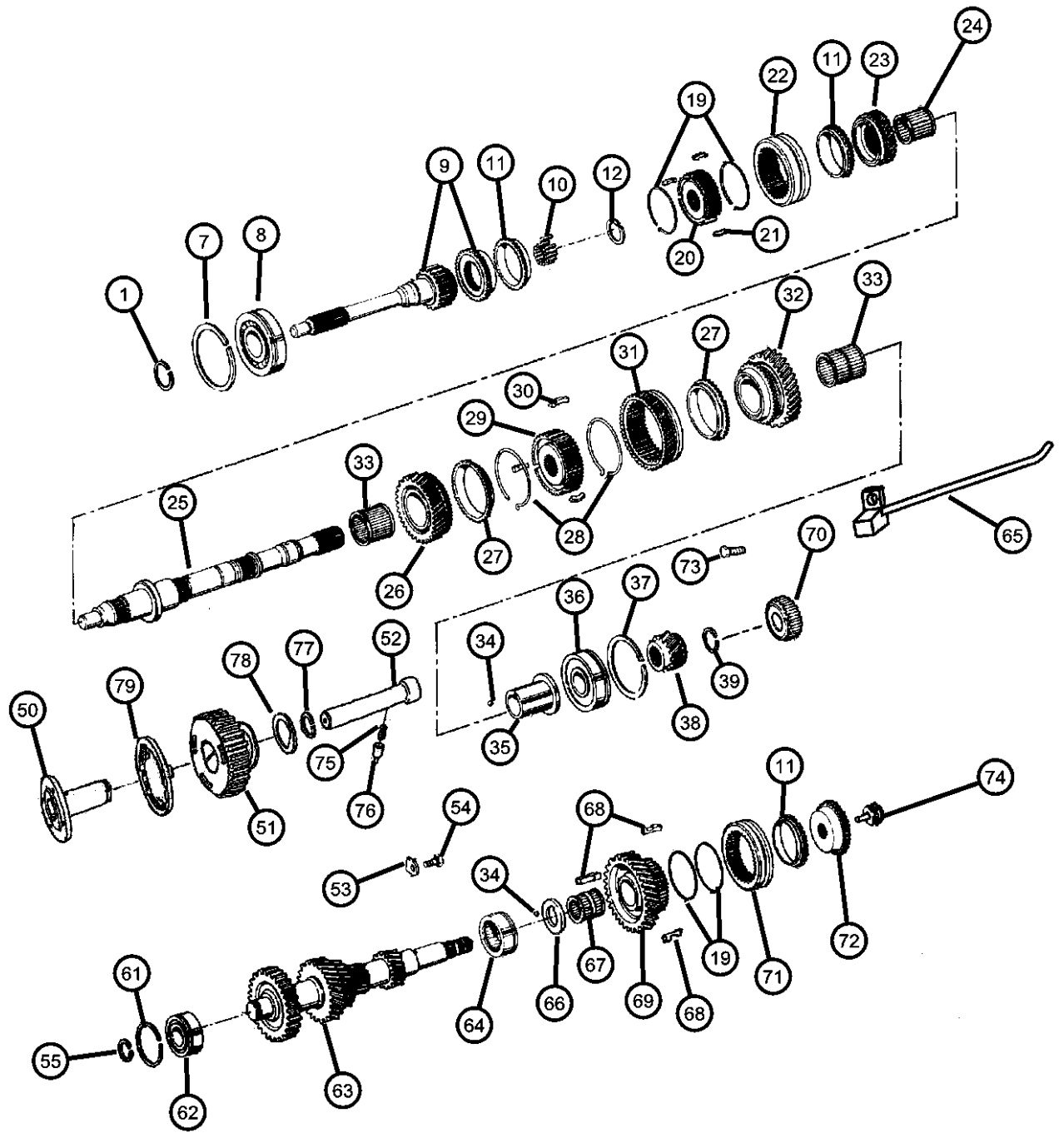
ITEM	PART NUMBER	QTY	LINE	SERIES	BODY	ENGINE	TRANS	TRIM	DESCRIPTION
	83500604	1	B, T			EP0	DDQ		52104546
		1	J, U			EP0	DDQ		52104547
-17									SNAP RING, Mainshaft, 2.00mm
	83500605	1	B, T			EP0	DDQ		52104546
		1	J, U			EP0	DDQ		52104547
-18									SNAP RING, Mainshaft, 2.05mm
	83500606	1	B, T			EP0	DDQ		52104546
		1	J, U			EP0	DDQ		52104547
19									SPRING, Synchronizer Key
	83500568	4	J, U			EP0	DDQ		52104547
		4	B, T			EP0	DDQ		52104546
20									SYNCHRONIZER, Third and Fourth
	83506027	1	B, T			EP0	DDQ		52104546
		1	J, U			EP0	DDQ		52104547
21									KEY, Synchronizer
	83506029	3	J, U			EP0	DDQ		52107747
		3	B, T			EP0	DDQ		52104546
22									SLEEVE, Synchromesh Clutch Gear
	04740235	1	B, T			EP0	DDQ		52104546
		1	J, U			EP0	DDQ		52104547
23									GEAR, Third
	83506019	1	B, T			EP0	DDQ		52104546
		1	J, U			EP0	DDQ		52104547
24									BEARING, Third Gear

CHEROKEE (XJ)

SERIES	LINE	BODY	ENGINE	TRANSMISSION
H = Sport	T = JEEP - 2WD	74 = 4 Dr (101.4WB)	ENC = ENGINE - 2.5L 4 CYL TURBO DIESEL	DDD = TRANSMISSION - 5-SPEED HD MANUAL
L = SE	B = JEEP - 2WD (RHD)	72 = 2 Dr (101.4WB)	EPE = ENGINE - 2.5L POWER TECH I-4 Cyl.	DDQ = TRANSMISSION - 5-SPEED MANUAL
P = Classic	J = JEEP - 4WD		ERH = ENGINE - 4.0L POWER TECH I-6	DGD = TRANSMISSION - 3-SPD. AUTOMATIC,30RH
S = Limited	U = JEEP - 4WD (RHD)			DGK = TRANSMISSION - 4-SPD. AUTOMATIC,42RE
				DGS = TRANSMISSION-4SPD. AUTO,AISIN WARNER
				DGT = TRANSMISSION - 4-SPD. AUTOMATIC,46RE
				DGW = TRANSMISSION - 4-SPD. AUTOMATIC,44RE
				DGX = TRANSMISSION - 4-SPEED AUTOMATIC
				DBB = ALL MANUAL TRANSMISSIONS
				DGO = ALL AUTOMATIC TRANSMISSIONS

AR = use ase required - = Non illustrated part

**Gear Train AX 5 (DDQ)
Figure AX-410**



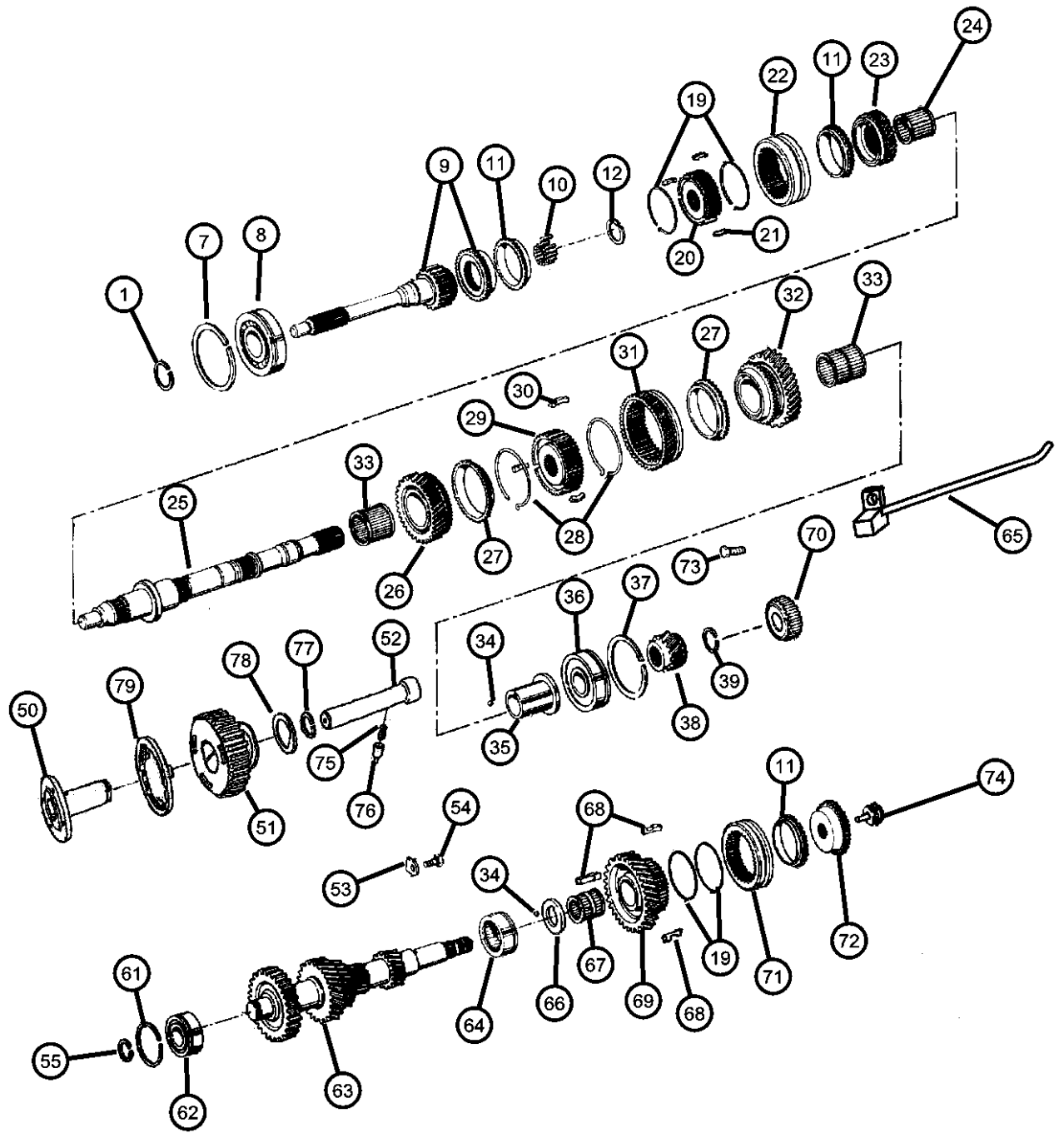
ITEM	PART NUMBER	QTY	LINE	SERIES	BODY	ENGINE	TRANS	TRIM	DESCRIPTION
	83500576	1	B, T			EP0	DDQ		52104546
		1	J, U			EP0	DDQ		52104547
25	83502117	1	B, T			EP0	DDQ		52104546
	83503105	1	J, U			EP0	DDQ		52104547
26	83506018	1	B, T			EP0	DDQ		52104546
		1	J, U			EP0	DDQ		52104547
27	83500567	2	J, U			EP0	DDQ		52104547
		2	B, T			EP0	DDQ		52104546
28	83500569	2	J, U			EP0	DDQ		52104547
		2	B, T			EP0	DDQ		52104546
29	83500561	1	B, T			EP0	DDQ		52104546
		1	J, U			EP0	DDQ		52104547
30	83500564	3	J, U			EP0	DDQ		52104547
		3	B, T			EP0	DDQ		52104546
31	04897101AA	1	B, T			EP0	DDQ		52104546
		1	J, U			EP0	DDQ		52104547
32									52104547

CHEROKEE (XJ)

SERIES	LINE	BODY	ENGINE	TRANSMISSION
H = Sport	T = JEEP - 2WD	74 = 4 Dr (101.4WB)	ENC = ENGINE - 2.5L 4 CYL TURBO DIESEL	DDD = TRANSMISSION - 5-SPEED HD MANUAL
L = SE	B = JEEP - 2WD (RHD)	72 = 2 Dr (101.4WB)	EPE = ENGINE - 2.5L POWER TECH I-4 Cyl.	DDQ = TRANSMISSION - 5-SPEED MANUAL
P = Classic	J = JEEP - 4WD		ERH = ENGINE - 4.0L POWER TECH I-6	DGD = TRANSMISSION - 3-SPD. AUTOMATIC,30RH
S = Limited	U = JEEP - 4WD (RHD)			DGK = TRANSMISSION - 4-SPD. AUTOMATIC,42RE
				DGS = TRANSMISSION-4SPD. AUTO,AISIN WARNER
				DGT = TRANSMISSION - 4-SPD. AUTOMATIC,46RE
				DGW = TRANSMISSION - 4-SPD. AUTOMATIC,44RE
				DGX = TRANSMISSION - 4-SPEED AUTOMATIC
				DBB = ALL MANUAL TRANSMISSIONS
				DGO = ALL AUTOMATIC TRANSMISSIONS

AR = use ase required - = Non illustrated part

**Gear Train AX 5 (DDQ)
Figure AX-410**



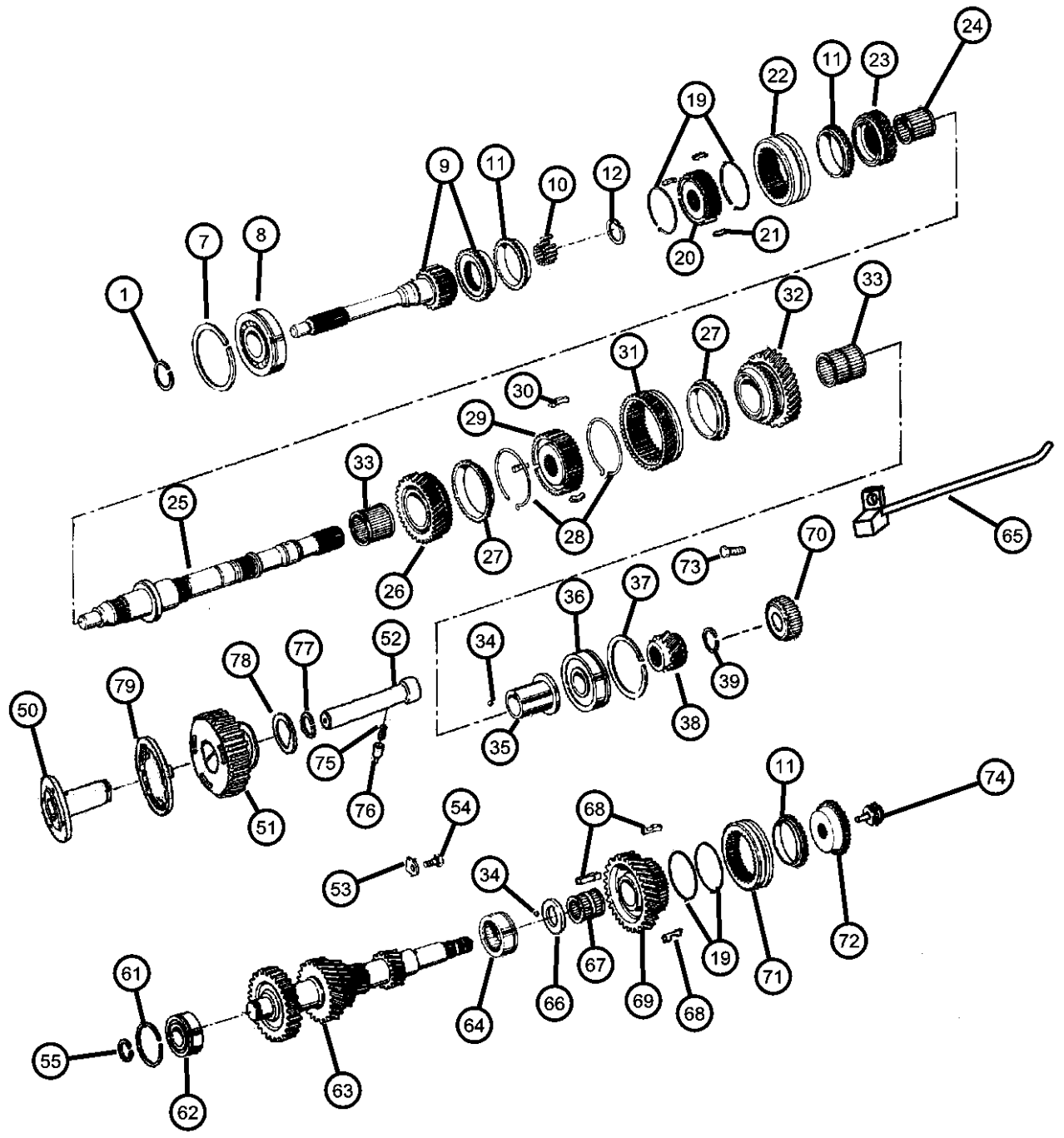
ITEM	PART NUMBER	QTY	LINE	SERIES	BODY	ENGINE	TRANS	TRIM	DESCRIPTION
	83506017	1	B, T			EP0	DDQ		52104546
		1	J, U			EP0	DDQ		52104547
33	83506031	1	B, T			EP0	DDQ		BEARING, First Gear
		2	J, U			EP0	DDQ		52104547
34	83500573	2	B, T			EP0	DDQ		BALL, Reverse, 52104546
35									RACE, First Gear
	83506026	1	B, T			EP0	DDQ		52104546
		1	J, U			EP0	DDQ		52104547
36									BEARING, Mainshaft
	83506030	1	B, T			EP0	DDQ		52104546
		1	J, U			EP0	DDQ		52104547
37									SNAP RING
	83500613	1	B, T			EP0	DDQ		52104546
		1	J, U			EP0	DDQ		52104547
38									GEAR, Fifth
	83500971	1	B, T			EP0	DDQ		52104546
		1	J, U			EP0	DDQ		52104547
39									SNAP RING, Mainshaft, 2.67-2.72mm
	83500587	1	B, T			EP0	DDQ		52104546
		1	J, U			EP0	DDQ		52104547
-40									SNAP RING, Mainshaft, 2.73-2.78mm
	83500588	1	B, T			EP0	DDQ		52104546
		1	J, U			EP0	DDQ		52104547

CHEROKEE (XJ)

SERIES	LINE	BODY	ENGINE	TRANSMISSION
H = Sport	T = JEEP - 2WD	74 = 4 Dr (101.4WB)	ENC = ENGINE - 2.5L 4 CYL TURBO DIESEL	DDD = TRANSMISSION - 5-SPEED HD MANUAL
L = SE	B = JEEP - 2WD (RHD)	72 = 2 Dr (101.4WB)	EPE = ENGINE - 2.5L POWER TECH I-4 Cyl.	DDQ = TRANSMISSION - 5-SPEED MANUAL
P = Classic	J = JEEP - 4WD		ERH = ENGINE - 4.0L POWER TECH I-6	DGD = TRANSMISSION - 3-SPD. AUTOMATIC,30RH
S = Limited	U = JEEP - 4WD (RHD)			DGK = TRANSMISSION - 4-SPD. AUTOMATIC,42RE
				DGS = TRANSMISSION-4SPD. AUTO,AISIN WARNER
				DGT = TRANSMISSION - 4-SPD. AUTOMATIC,46RE
				DGW = TRANSMISSION - 4-SPD. AUTOMATIC,44RE
				DGX = TRANSMISSION - 4-SPEED AUTOMATIC
				DBB = ALL MANUAL TRANSMISSIONS
				DGO = ALL AUTOMATIC TRANSMISSIONS

AR = use ase required - = Non illustrated part

**Gear Train AX 5 (DDQ)
Figure AX-410**



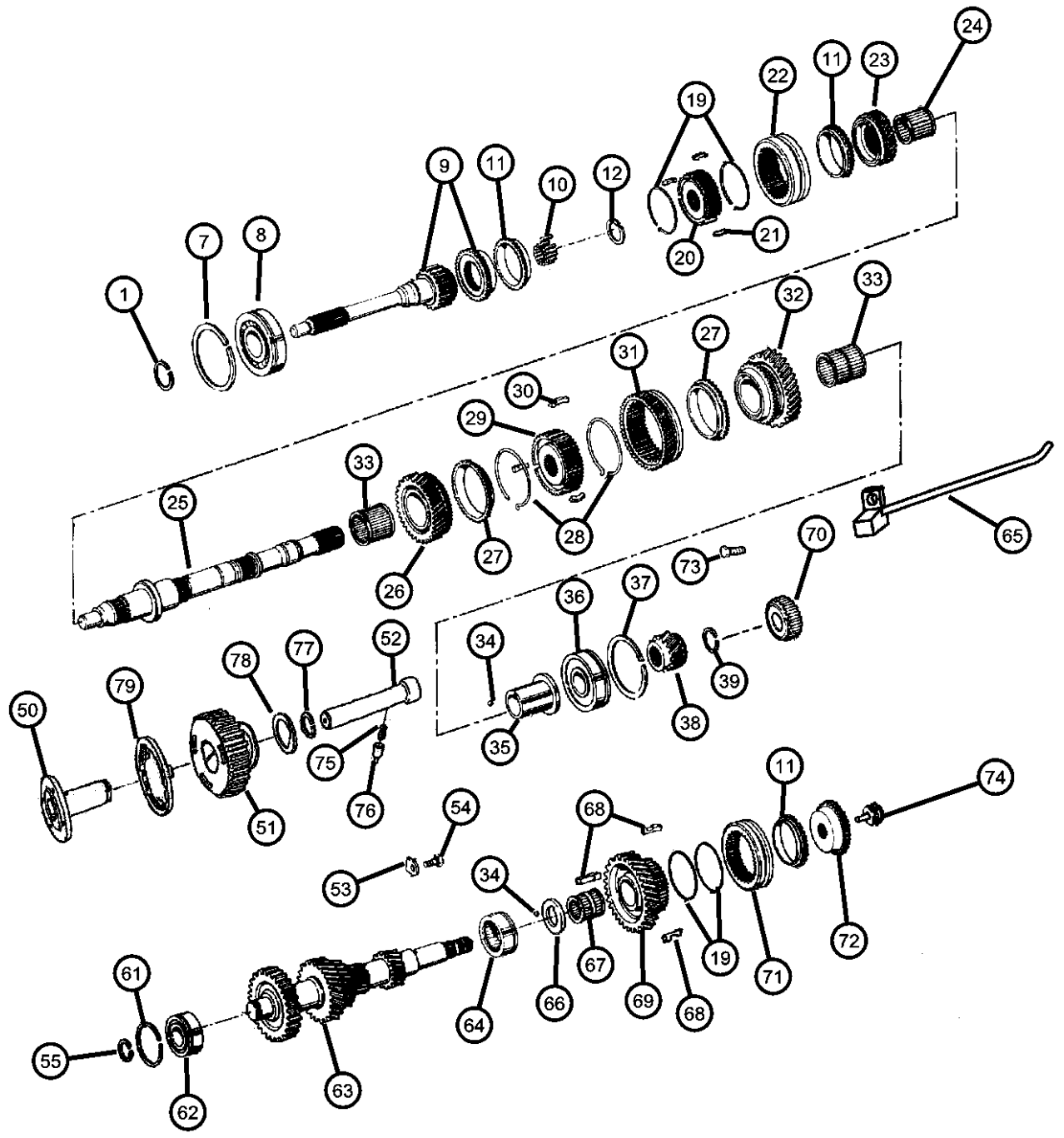
ITEM	PART NUMBER	QTY	LINE	SERIES	BODY	ENGINE	TRANS	TRIM	DESCRIPTION
-41									SNAP RING, Mainshaft, 2.79-2.84mm
	83500589	1	B, T			EP0	DDQ		52104546
		1	J, U			EP0	DDQ		52104547
-42									SNAP RING, Mainshaft, 2.85-2.90mm
	83500590	1	B, T			EP0	DDQ		52104546
		1	J, U			EP0	DDQ		52104547
-43									SNAP RING, Mainshaft, 2.91-2.96mm
	83500591	1	B, T			EP0	DDQ		52104546
		1	J, U			EP0	DDQ		52104547
-44									SNAP RING, Mainshaft, 2.97-3.02mm
	83500592	1	B, T			EP0	DDQ		52104546
		1	J, U			EP0	DDQ		52104547
-45									SNAP RING, Mainshaft, 3.03-3.08mm
	83500593	1	B, T			EP0	DDQ		52104546
		1	J, U			EP0	DDQ		52104747
-46									SNAP RING, Mainshaft, 3.09-3.14mm
	83500594	1	B, T			EP0	DDQ		52104546
		1	J, U			EP0	DDQ		52104547
-47									SNAP RING, Mainshaft, 3.15-3.20mm
	83500595	1	B, T			EP0	DDQ		52104546
		1	J, U			EP0	DDQ		52104547

CHEROKEE (XJ)

SERIES	LINE	BODY	ENGINE	TRANSMISSION
H = Sport	T = JEEP - 2WD	74 = 4 Dr (101.4WB)	ENC = ENGINE - 2.5L 4 CYL TURBO DIESEL	DDD = TRANSMISSION - 5-SPEED HD MANUAL
L = SE	B = JEEP - 2WD (RHD)	72 = 2 Dr (101.4WB)	EPE = ENGINE - 2.5L POWER TECH I-4 Cyl.	DDQ = TRANSMISSION - 5-SPEED MANUAL
P = Classic	J = JEEP - 4WD		ERH = ENGINE - 4.0L POWER TECH I-6	DGD = TRANSMISSION - 3-SPD. AUTOMATIC,30RH
S = Limited	U = JEEP - 4WD (RHD)			DGK = TRANSMISSION - 4-SPD. AUTOMATIC,42RE
				DGS = TRANSMISSION-4SPD. AUTO,AISIN WARNER
				DGT = TRANSMISSION - 4-SPD. AUTOMATIC,46RE
				DGW = TRANSMISSION - 4-SPD. AUTOMATIC,44RE
				DGX = TRANSMISSION - 4-SPEED AUTOMATIC
				DBB = ALL MANUAL TRANSMISSIONS
				DGO = ALL AUTOMATIC TRANSMISSIONS

AR = use ase required - = Non illustrated part

**Gear Train AX 5 (DDQ)
Figure AX-410**



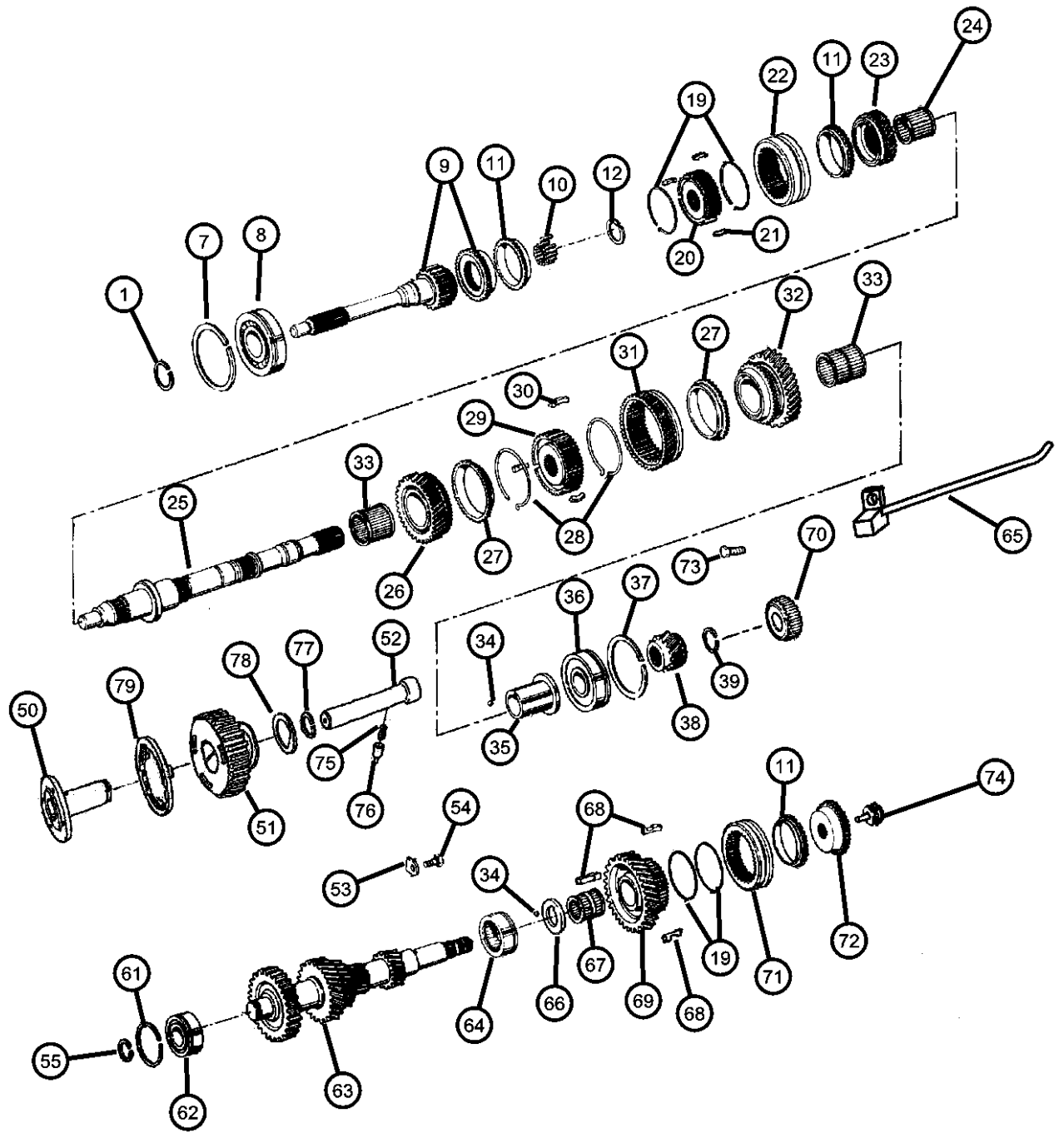
ITEM	PART NUMBER	QTY	LINE	SERIES	BODY	ENGINE	TRANS	TRIM	DESCRIPTION
-48									SNAP RING, Mainshaft, 3.21-3.26mm
	83500596	1	B, T			EP0	DDQ		52104546
		1	J, U			EP0	DDQ		52104547
-49									SNAP RING, Mainshaft
	83500597	1	B, T			EP0	DDQ		3.27mm/3.32mm. 52104546
		1	J, U			EP0	DDQ		3.27mm/3.32mm. 52104547
50									RACE, Idler Gear
	04897107AA	1	B, T			EP0	DDQ		52104546
		1	J, U			EP0	DDQ		52104547
51									GEAR, Reverse Idler
	04897102AA	1	B, T			EP0	DDQ		52104546
		1	J, U			EP0	DDQ		52104547
52									IDLER SHAFT, Transmission
	04897104AA	1	B, T			EP0	DDQ		52104546
		1	J, U			EP0	DDQ		52104547
53									STOPPER, Idler Shaft
	04883380AA	1	B, T			EP0	DDQ		52104546
		1	J, U			EP0	DDQ		52104547
54									BOLT AND LOCK WASHER, Hex Head, M8x1.25x20
	83500615	1	B, T			EP0	DDQ		52104546
		1	J, U			EP0	DDQ		52104547
55									SNAP RING, Cluster Gear, 2.05mm
	83500581	1	B, T			EP0	DDQ		52104546
		1	J, U			EP0	DDQ		52104547

CHEROKEE (XJ)

SERIES	LINE	BODY	ENGINE	TRANSMISSION
H = Sport	T = JEEP - 2WD	74 = 4 Dr (101.4WB)	ENC = ENGINE - 2.5L 4 CYL TURBO DIESEL	DDD = TRANSMISSION - 5-SPEED HD MANUAL
L = SE	B = JEEP - 2WD (RHD)	72 = 2 Dr (101.4WB)	EPE = ENGINE - 2.5L POWER TECH I-4 Cyl.	DDQ = TRANSMISSION - 5-SPEED MANUAL
P = Classic	J = JEEP - 4WD		ERH = ENGINE - 4.0L POWER TECH I-6	DGD = TRANSMISSION - 3-SPD. AUTOMATIC,30RH
S = Limited	U = JEEP - 4WD (RHD)			DGK = TRANSMISSION - 4-SPD. AUTOMATIC,42RE
				DGS = TRANSMISSION-4SPD. AUTO,AISIN WARNER
				DGT = TRANSMISSION - 4-SPD. AUTOMATIC,46RE
				DGW = TRANSMISSION - 4-SPD. AUTOMATIC,44RE
				DGX = TRANSMISSION - 4-SPEED AUTOMATIC
				DBB = ALL MANUAL TRANSMISSIONS
				DGO = ALL AUTOMATIC TRANSMISSIONS

AR = use ase required - = Non illustrated part

**Gear Train AX 5 (DDQ)
Figure AX-410**



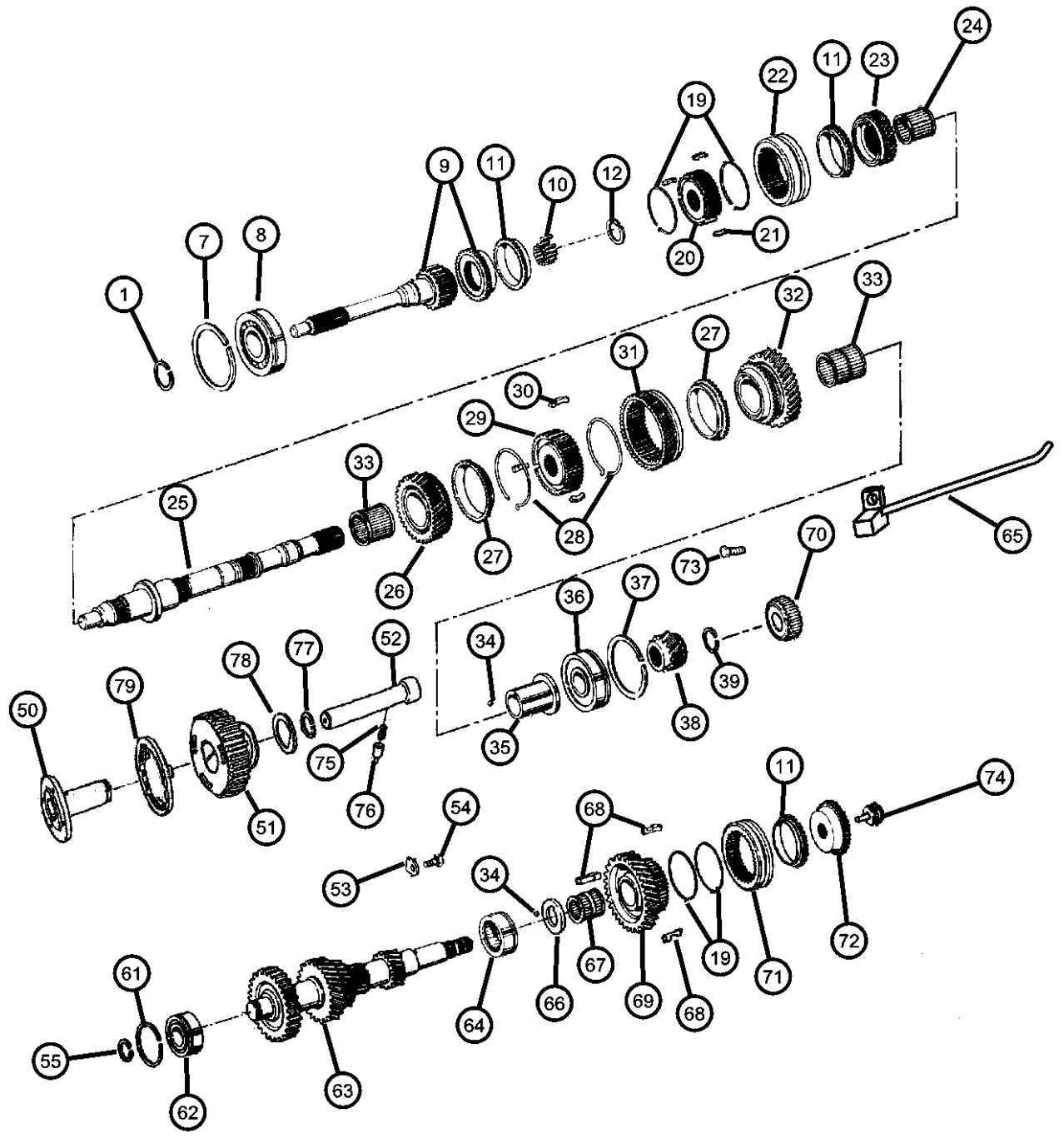
ITEM	PART NUMBER	QTY	LINE	SERIES	BODY	ENGINE	TRANS	TRIM	DESCRIPTION
-56									SNAP RING, Cluster Gear, 2.10-2.15mm
	83500582	1	B, T			EP0	DDQ		52104546
		1	J, U			EP0	DDQ		52104547
-57									SNAP RING, Cluster Gear, 2.15mm
	83500583	1	B, T			EP0	DDQ		52104546
		1	J, U			EP0	DDQ		52104547
-58									SNAP RING, Cluster Gear, 2.20mm
	83500584	1	B, T			EP0	DDQ		52104546
		1	J, U			EP0	DDQ		52104547
-59									SNAP RING, Cluster Gear, 2.25mm
	83500585	1	B, T			EP0	DDQ		52104546
		1	J, U			EP0	DDQ		52104547
-60									SNAP RING, Cluster Gear, 2.30mm
	83500586	1	B, T			EP0	DDQ		52104546
		1	J, U			EP0	DDQ		52104547
61									SNAP RING
	83500612	1	J, U			EP0	DDQ		With Transmission (52107747)
		1	B, T			EP0	DDQ		With Transmission (52107746)
62									BEARING, Cluster Gear
	83506032	1	B, T			EP0	DDQ		52104546
		1	J, U			EP0	DDQ		52104547
63									GEAR, Countershaft
	04897103AA	1	J, U			EP0	DDQ		
		1	B, T			EP0	DDQ		

CHEROKEE (XJ)

SERIES	LINE	BODY	ENGINE	TRANSMISSION
H = Sport	T = JEEP - 2WD	74 = 4 Dr (101.4WB)	ENC = ENGINE - 2.5L 4 CYL TURBO DIESEL	DDD = TRANSMISSION - 5-SPEED HD MANUAL
L = SE	B = JEEP - 2WD (RHD)	72 = 2 Dr (101.4WB)	EPE = ENGINE - 2.5L POWER TECH I-4 Cyl.	DDQ = TRANSMISSION - 5-SPEED MANUAL
P = Classic	J = JEEP - 4WD		ERH = ENGINE - 4.0L POWER TECH I-6	DGD = TRANSMISSION - 3-SPD. AUTOMATIC,30RH
S = Limited	U = JEEP - 4WD (RHD)			DGK = TRANSMISSION - 4-SPD. AUTOMATIC,42RE
				DGS = TRANSMISSION-4SPD. AUTO,AISIN WARNER
				DGT = TRANSMISSION - 4-SPD. AUTOMATIC,46RE
				DGW = TRANSMISSION - 4-SPD. AUTOMATIC,44RE
				DGX = TRANSMISSION - 4-SPEED AUTOMATIC
				DBB = ALL MANUAL TRANSMISSIONS
				DGO = ALL AUTOMATIC TRANSMISSIONS

AR = use ase required - = Non illustrated part

**Gear Train AX 5 (DDQ)
Figure AX-410**



ITEM	PART NUMBER	QTY	LINE	SERIES	BODY	ENGINE	TRANS	TRIM	DESCRIPTION
64	83506033	1	B, T			EP0	DDQ		BEARING, Cluster Gear 52104546
		1	J, U			EP0	DDQ		52104547
65	83502122	1	B, T			EP0	DDQ		PIPE, Oil Receiver, 52104546
66	83506025	1	B, T			EP0	DDQ		THRUST WASHER, Fourth Gear 52104546
		1	J, U			EP0	DDQ		52104547
67	83500644	1	B, T			EP0	DDQ		NEEDLE BEARING, Fifth Gear 52104546
		2	J, U			EP0	DDQ		52104547
68	83500641	3	J, U			EP0	DDQ		KEY, Synchronizer 52104547
		3	B, T			EP0	DDQ		52104546
69	83506022	1	B, T			EP0	DDQ		GEAR, Countershaft Fifth 52104546
		1	J, U			EP0	DDQ		52104547
70	83502121	1	B, T			EP0	DDQ		GEAR, Speedometer Drive, 52104546
71	04746657	1	B, T			EP0	DDQ		SLEEVE, Synchronizer 52104546
		1	J, U			EP0	DDQ		52104547
72	83506024	1	B, T			EP0	DDQ		GEAR, Fifth Splined 52104546
		1	J, U			EP0	DDQ		52104547
73	83502126	1	B, T			EP0	DDQ		BOLT, Oil Receiver Pipe, 52104546

CHEROKEE (XJ)

SERIES LINE
H = Sport T = JEEP - 2WD
L = SE B = JEEP - 2WD (RHD)
P = Classic J = JEEP - 4WD
S = Limited U = JEEP - 4WD (RHD)

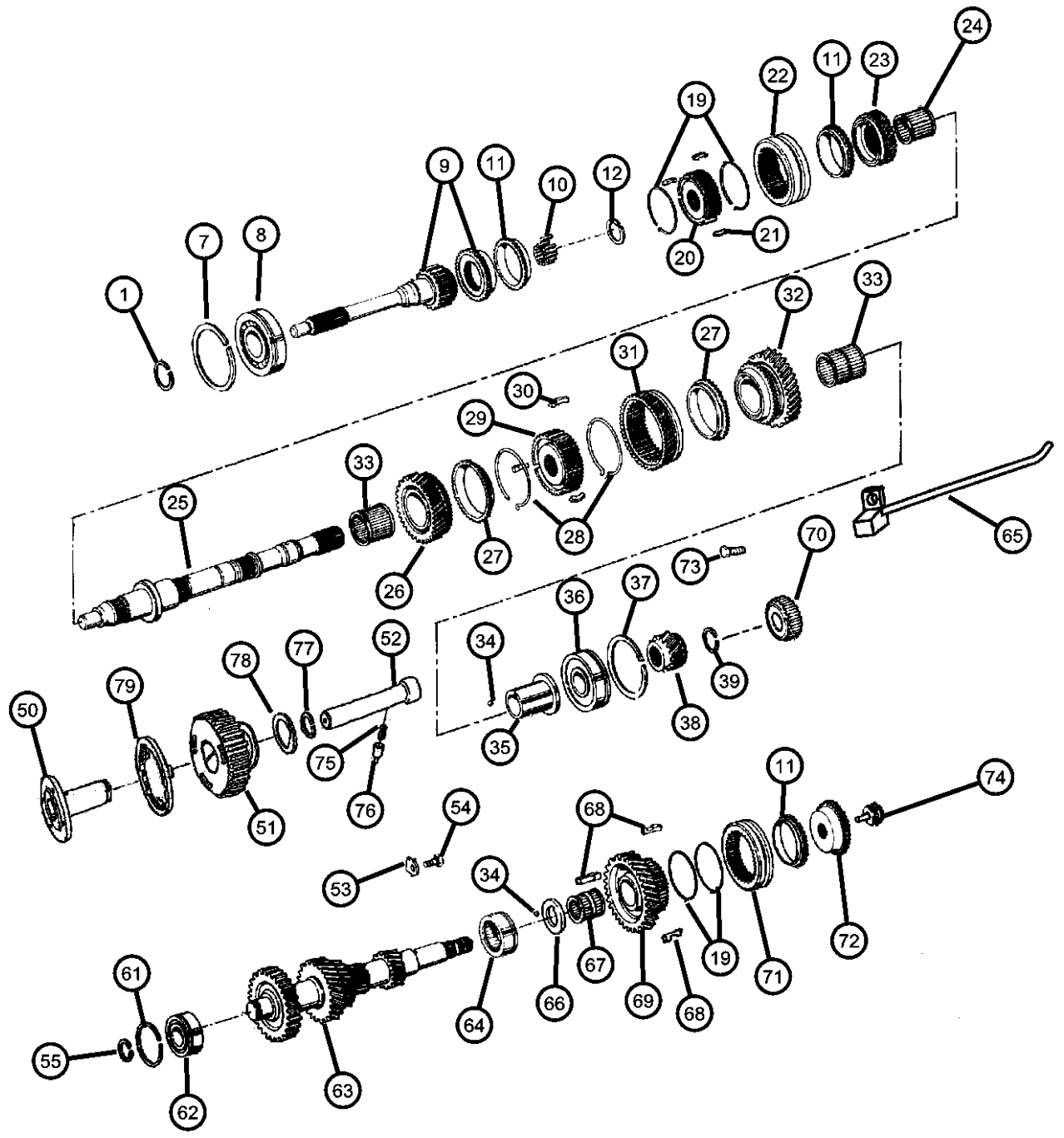
BODY
74 = 4 Dr (101.4WB)
72 = 2 Dr (101.4WB)

ENGINE
ENC = ENGINE - 2.5L 4 CYL
TURBO DIESEL
EPE = ENGINE - 2.5L POWER
TECH I-4 Cyl.
ERH = ENGINE - 4.0L
POWER TECH I-6

TRANSMISSION
DDD = TRANSMISSION - 5-SPEED
HD MANUAL
DDQ = TRANSMISSION - 5-SPEED
MANUAL
DGD = TRANSMISSION - 3-SPD.
AUTOMATIC,30RH
DGK = TRANSMISSION - 4-SPD.
AUTOMATIC,42RE
DGS = TRANSMISSION-4SPD.
AUTO,AISIN WARNER
DGT = TRANSMISSION - 4-SPD.
AUTOMATIC,46RE
DGW = TRANSMISSION - 4-SPD.
AUTOMATIC,44RE
DGX = TRANSMISSION - 4-SPEED
AUTOMATIC
DBB = ALL MANUAL
TRANSMISSIONS
DGO = ALL AUTOMATIC
TRANSMISSIONS

AR = use ase required - = Non illustrated part

**Gear Train AX 5 (DDQ)
Figure AX-410**



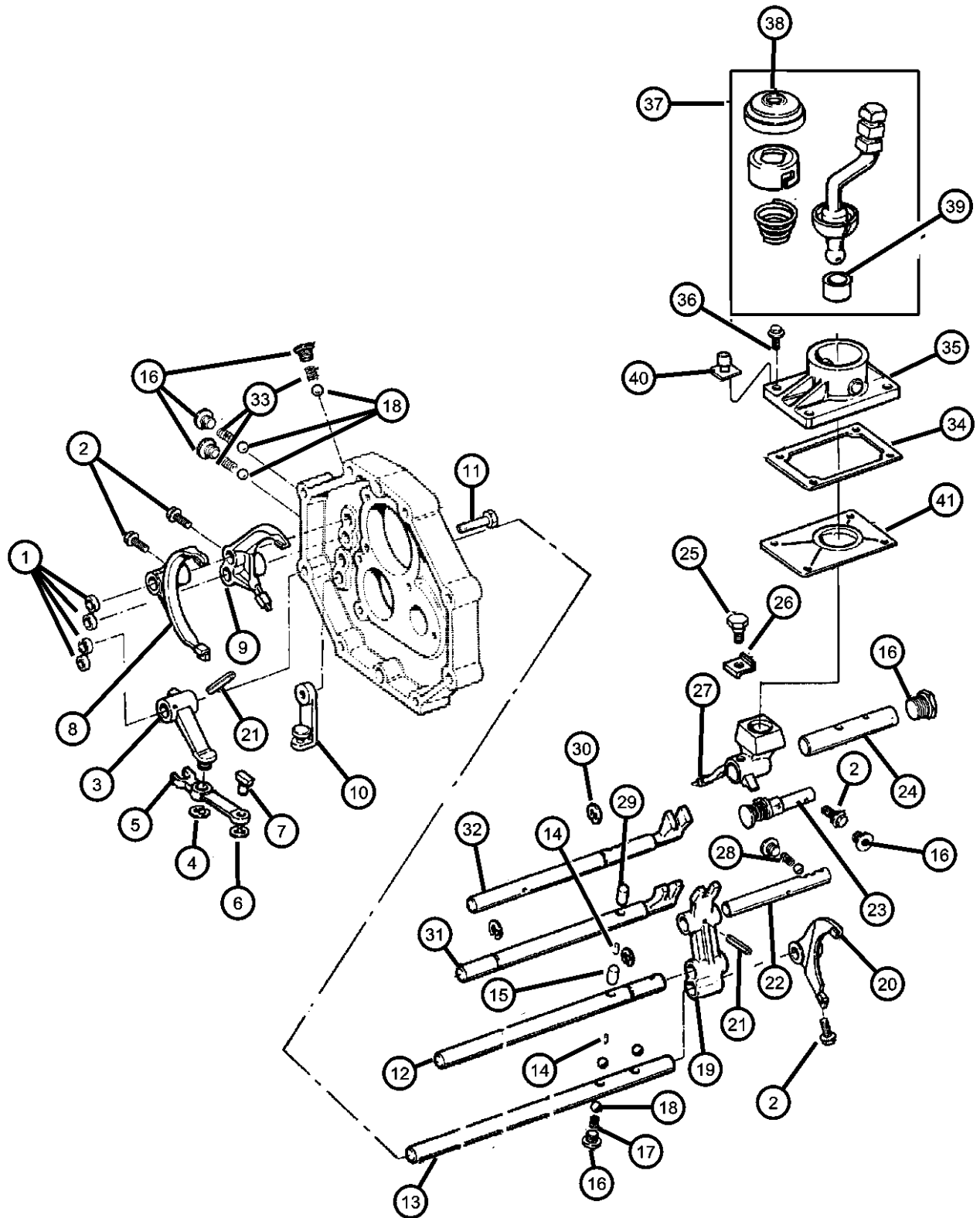
ITEM	PART NUMBER	QTY	LINE	SERIES	BODY	ENGINE	TRANS	TRIM	DESCRIPTION
74	83500646	1	B, T			EP0	DDQ		PIPE, Oil Receiver 52104546
		1	J, U			EP0	DDQ		52104547
75	04897110AA	1	B, T			EP0	DDQ		SPRING, Compression 52104546
		1	J, U			EP0	DDQ		52104547
76	04897109AA	1	B, T			EP0	DDQ		PIN 52104546
		1	J, U			EP0	DDQ		52104547
77	04897112AA	1	J, U			EP0	DDQ		RING, Snap 52104547
		1	B, T			EP0	DDQ		52104546
78	04897108AA	1	B, T			EP0	DDQ		PLATE, Transmission Idler Shaft 52104546
		1	J, U			EP0	DDQ		52104547
79	04897111AA	1	B, T			EP0	DDQ		RING, Transmission 52104546
		1	J, U			EP0	DDQ		52104547

CHEROKEE (XJ)

SERIES	LINE	BODY	ENGINE	TRANSMISSION
H = Sport	T = JEEP - 2WD	74 = 4 Dr (101.4WB)	ENC = ENGINE - 2.5L 4 CYL TURBO DIESEL	DDD = TRANSMISSION - 5-SPEED HD MANUAL
L = SE	B = JEEP - 2WD (RHD)	72 = 2 Dr (101.4WB)	EPE = ENGINE - 2.5L POWER TECH I-4 Cyl.	DDQ = TRANSMISSION - 5-SPEED MANUAL
P = Classic	J = JEEP - 4WD		ERH = ENGINE - 4.0L POWER TECH I-6	DGD = TRANSMISSION - 3-SPD. AUTOMATIC,30RH
S = Limited	U = JEEP - 4WD (RHD)			DGK = TRANSMISSION - 4-SPD. AUTOMATIC,42RE
				DGS = TRANSMISSION-4SPD. AUTO,AISIN WARNER
				DGT = TRANSMISSION - 4-SPD. AUTOMATIC,46RE
				DGW = TRANSMISSION - 4-SPD. AUTOMATIC,44RE
				DGX = TRANSMISSION - 4-SPEED AUTOMATIC
				DBB = ALL MANUAL TRANSMISSIONS
				DGO = ALL AUTOMATIC TRANSMISSIONS

AR = use ase required - = Non illustrated part

Forks AX 5 (DDQ)
Figure AX-910



ITEM	PART NUMBER	QTY	LINE	SERIES	BODY	ENGINE	TRANS	TRIM	DESCRIPTION
------	-------------	-----	------	--------	------	--------	-------	------	-------------

Notes:
DDQ = 5 Speed Manual Transmission
EP0 = All 2.5L Gas Engines

1	83500503	4	B, T			EP0	DDQ		PLUG, Shift Rail
		4	J, U			EP0	DDQ		
2	83502664	3	B, T			EP0	DDQ		BOLT, Shift Fork
		3	J, U			EP0	DDQ		
3	83500526	1	B, T			EP0	DDQ		FORK, Transmission
		1	J, U			EP0	DDQ		
4	83500548	1	B, T			EP0	DDQ		SNAP RING
		1	J, U			EP0	DDQ		
5	04897099AA	1	B, T			EP0	DDQ		ARM, Reverse Shift
		1	J, U			EP0	DDQ		
6	83500547	1	B, T			EP0	DDQ		SNAP RING
		1	J, U			EP0	DDQ		
7	04897100AA	1	B, T			EP0	DDQ		SHOE, Shift Lever
		1	J, U			EP0	DDQ		
8	04740236	1	B, T			EP0	DDQ		FORK PACKAGE, Shift

CHEROKEE (XJ)

SERIES LINE
H = Sport T = JEEP - 2WD
L = SE B = JEEP - 2WD (RHD)
P = Classic J = JEEP - 4WD
S = Limited U = JEEP - 4WD (RHD)

BODY
74 = 4 Dr (101.4WB)
72 = 2 Dr (101.4WB)

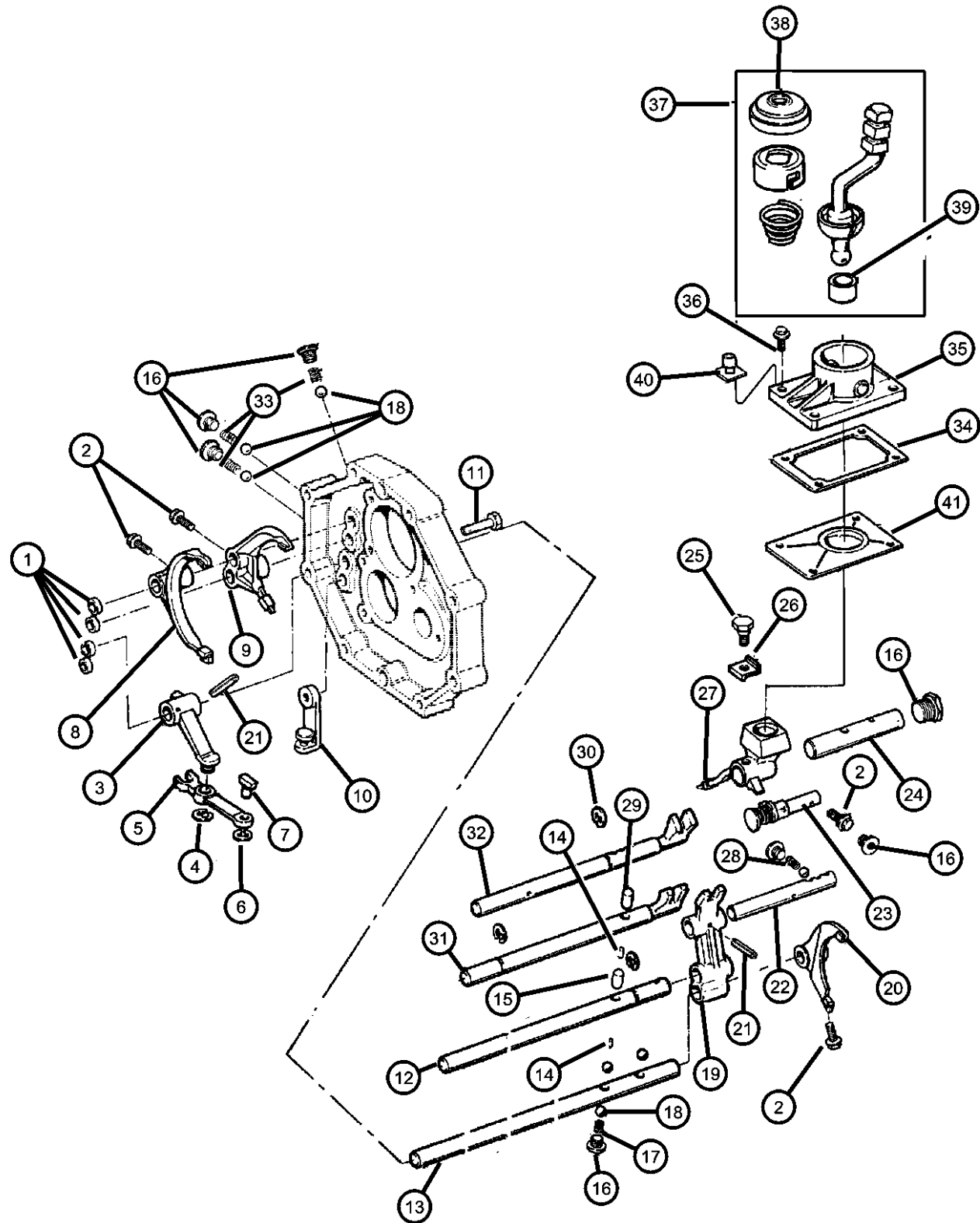
ENGINE
ENC = ENGINE - 2.5L 4 CYL
TURBO DIESEL
EPE = ENGINE - 2.5L POWER
TECH I-4 Cyl.
ERH = ENGINE - 4.0L
POWER TECH I-6

TRANSMISSION
DDD = TRANSMISSION - 5-SPEED
HD MANUAL
DDQ = TRANSMISSION - 5-SPEED
MANUAL
DGD = TRANSMISSION - 3-SPD.
AUTOMATIC,30RH
DGK = TRANSMISSION - 4-SPD.
AUTOMATIC,42RE
DGS = TRANSMISSION-4SPD.
AUTO,AISIN WARNER
DGT = TRANSMISSION - 4-SPD.
AUTOMATIC,46RE
DGW = TRANSMISSION - 4-SPD.
AUTOMATIC,44RE
DGX = TRANSMISSION - 4-SPEED
AUTOMATIC
DBB = ALL MANUAL
TRANSMISSIONS
DGO = ALL AUTOMATIC
TRANSMISSIONS

AR = use ase required - = Non illustrated part

2000 XJ

Forks AX 5 (DDQ)
Figure AX-910



ITEM	PART NUMBER	QTY	LINE	SERIES	BODY	ENGINE	TRANS	TRIM	DESCRIPTION
9		1	J, U			EP0	DDQ		FORK, Transmission
	83502662	1	B, T			EP0	DDQ		
		1	J, U			EP0	DDQ		
10		1	B, T			EP0	DDQ		BRACKET, Reverse Arm
	83500531	1	J, U			EP0	DDQ		
11		2	B, T			EP0	DDQ		BOLT, Bearing Retainer
	83500549	2	J, U			EP0	DDQ		
12		1	B, T			EP0	DDQ		SHAFT, Gear Shift Fork, Number 3
	04746659	1	J, U			EP0	DDQ		
13		1	B, T			EP0	DDQ		SHAFT, Gear Shift Fork, Number 4
	04746660	1	J, U			EP0	DDQ		
14		2	B, T			EP0	DDQ		PIN, Shift Shaft
	83500537	2	J, U			EP0	DDQ		
15		1	B, T			EP0	DDQ		PIN, Interlock, 21.6mm
	83500541	1	J, U			EP0	DDQ		
16		6	B, T			EP0	DDQ		PLUG, Transmission
	83500524	6	J, U			EP0	DDQ		

CHEROKEE (XJ)

SERIES LINE
H = Sport T = JEEP - 2WD
L = SE B = JEEP - 2WD (RHD)
P = Classic J = JEEP - 4WD
S = Limited U = JEEP - 4WD (RHD)

BODY
74 = 4 Dr (101.4WB)
72 = 2 Dr (101.4WB)

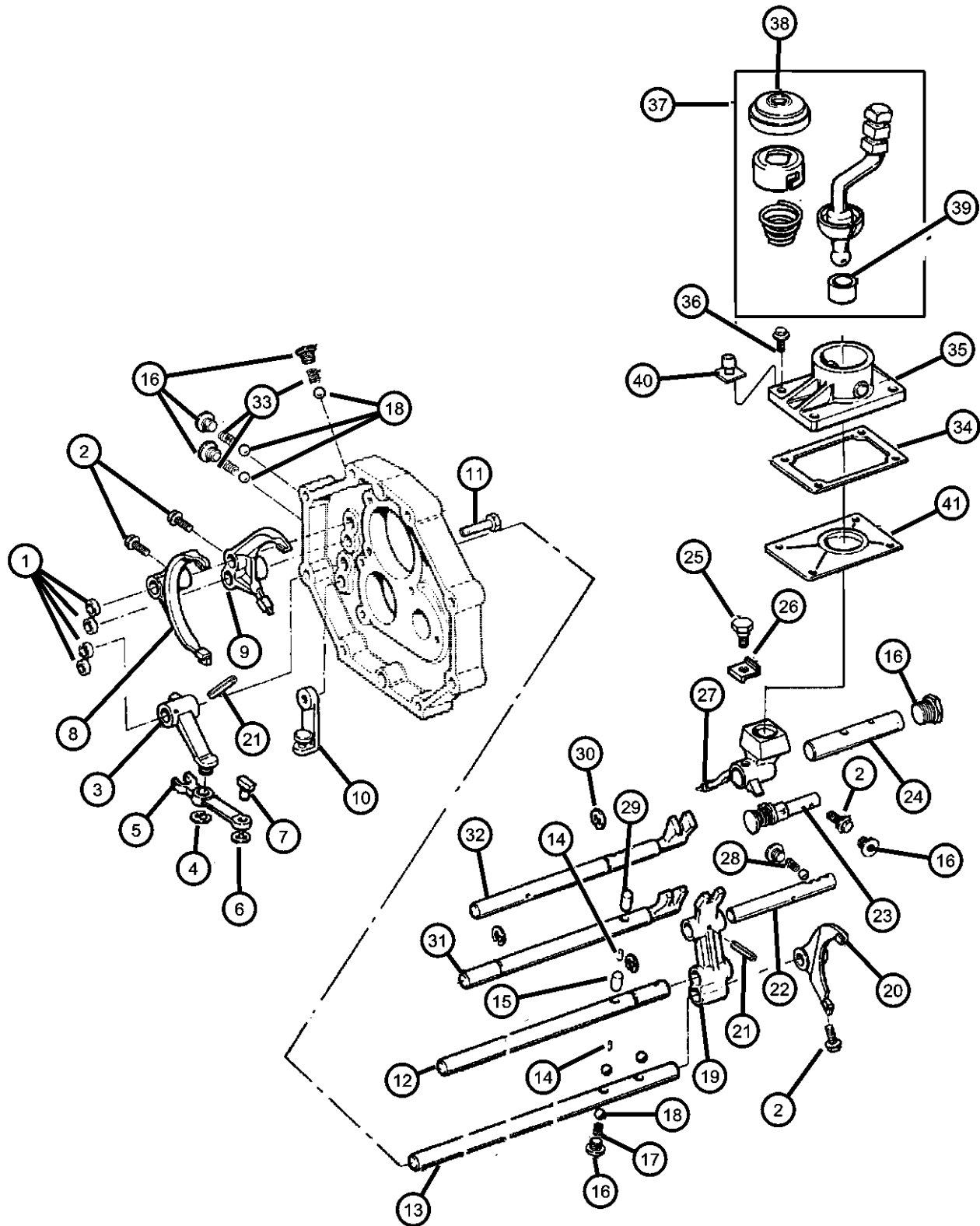
ENGINE
ENC = ENGINE - 2.5L 4 CYL
TURBO DIESEL
EPE = ENGINE - 2.5L POWER
TECH I-4 Cyl.
ERH = ENGINE - 4.0L
POWER TECH I-6

TRANSMISSION
DDD = TRANSMISSION - 5-SPEED
HD MANUAL
DDQ = TRANSMISSION - 5-SPEED
MANUAL
DGD = TRANSMISSION - 3-SPD.
AUTOMATIC,30RH
DGK = TRANSMISSION - 4-SPD.
AUTOMATIC,42RE
DGS = TRANSMISSION-4SPD.
AUTO,AISIN WARNER
DGT = TRANSMISSION - 4-SPD.
AUTOMATIC,46RE
DGW = TRANSMISSION - 4-SPD.
AUTOMATIC,44RE
DGX = TRANSMISSION - 4-SPEED
AUTOMATIC
DBB = ALL MANUAL
TRANSMISSIONS
DGO = ALL AUTOMATIC
TRANSMISSIONS

AR = use ase required - = Non illustrated part

2000 XJ

Forks AX 5 (DDQ)
Figure AX-910



ITEM	PART NUMBER	QTY	LINE	SERIES	BODY	ENGINE	TRANS	TRIM	DESCRIPTION
17									SPRING, Compression Shift
	83500638	1	B, T			EP0	DDQ		
		1	J, U			EP0	DDQ		
18									BALL, Gearshift Fork Lock
	83500542	7	B, T			EP0	DDQ		
		7	J, U			EP0	DDQ		
19									HEAD, Shifter Shaft
	04746658	1	B, T			EP0	DDQ		
		1	J, U			EP0	DDQ		
20									FORK, Transmission
	04746656	1	B, T			EP0	DDQ		
		1	J, U			EP0	DDQ		
21									PIN, Shift Shaft
	83500540	3	J, U			EP0	DDQ		
		3	B, T			EP0	DDQ		
22									SHAFT, Selector
	83500536	1	B, T			EP0	DDQ		
		1	J, U			EP0	DDQ		
23									PIN, Reverse
	83500635	1	B, T			EP0	DDQ		
		1	J, U			EP0	DDQ		
24									SHAFT, Shift Lever
	83500514	1	B, T			EP0	DDQ		
		1	J, U			EP0	DDQ		
25									BOLT

CHEROKEE (XJ)

SERIES LINE
H = Sport T = JEEP - 2WD
L = SE B = JEEP - 2WD (RHD)
P = Classic J = JEEP - 4WD
S = Limited U = JEEP - 4WD (RHD)

BODY
74 = 4 Dr (101.4WB)
72 = 2 Dr (101.4WB)

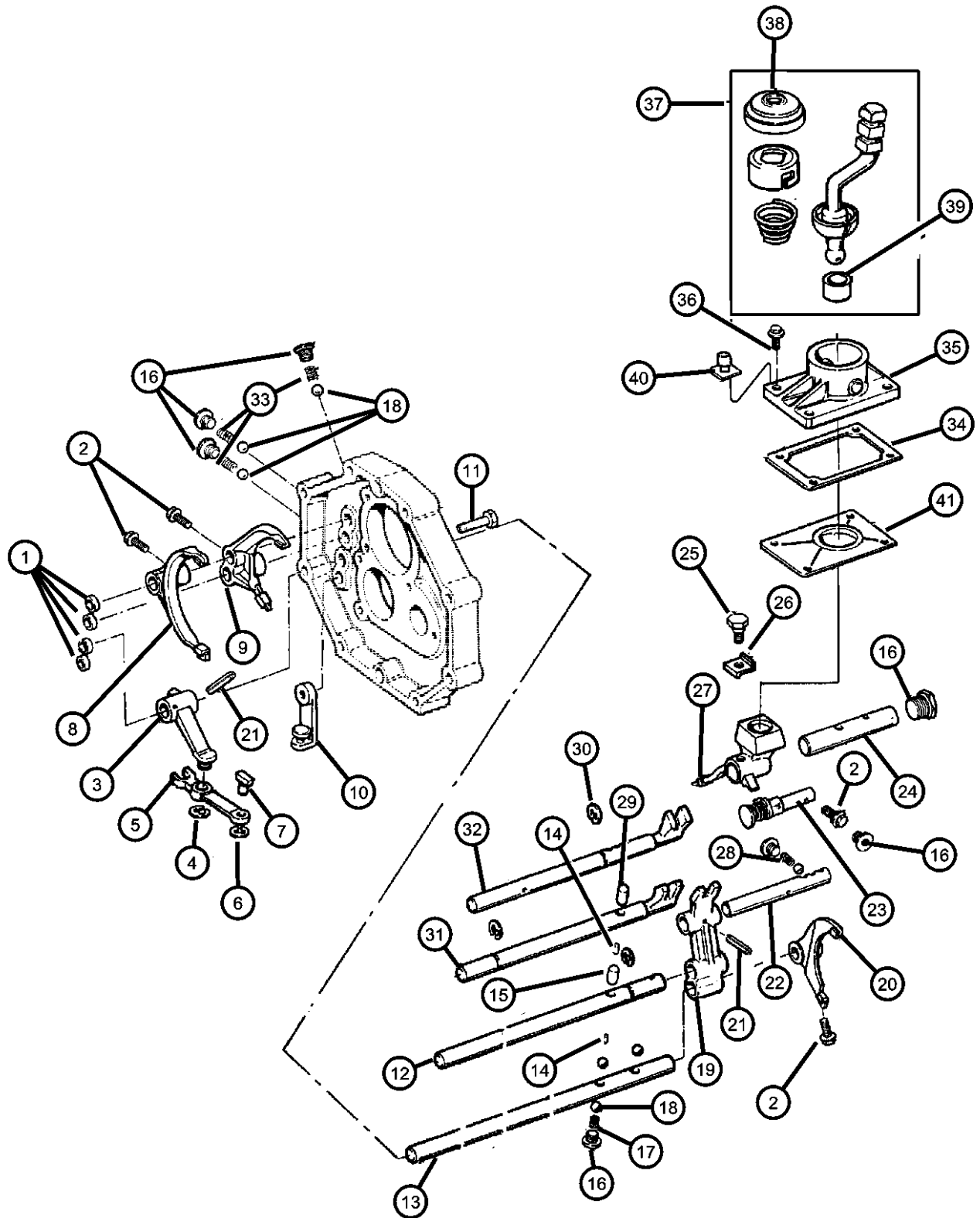
ENGINE
ENC = ENGINE - 2.5L 4 CYL
TURBO DIESEL
EPE = ENGINE - 2.5L POWER
TECH I-4 Cyl.
ERH = ENGINE - 4.0L
POWER TECH I-6

TRANSMISSION
DDD = TRANSMISSION - 5-SPEED
HD MANUAL
DDQ = TRANSMISSION - 5-SPEED
MANUAL
DGD = TRANSMISSION - 3-SPD.
AUTOMATIC,30RH
DGK = TRANSMISSION - 4-SPD.
AUTOMATIC,42RE
DGS = TRANSMISSION-4SPD.
AUTO,AISIN WARNER
DGT = TRANSMISSION - 4-SPD.
AUTOMATIC,46RE
DGW = TRANSMISSION - 4-SPD.
AUTOMATIC,44RE
DGX = TRANSMISSION - 4-SPEED
AUTOMATIC
DBB = ALL MANUAL
TRANSMISSIONS
DGO = ALL AUTOMATIC
TRANSMISSIONS

AR = use ase required - = Non illustrated part

2000 XJ

Forks AX 5 (DDQ)
Figure AX-910



ITEM	PART NUMBER	QTY	LINE	SERIES	BODY	ENGINE	TRANS	TRIM	DESCRIPTION
	83506036	1	B, T			EP0	DDQ		
		1	J, U			EP0	DDQ		
26	83500626	1	B, T			EP0	DDQ		WASHER, Lock
		1	J, U			EP0	DDQ		
27									HOUSING, Shift Lever
	83500636	1	B, T			EP0	DDQ		
		1	J, U			EP0	DDQ		
28									SPRING, Compression
	83500544	1	B, T			EP0	DDQ		
		1	J, U			EP0	DDQ		
29									PIN, Interlock, 30.3mm
	83500543	1	B, T			EP0	DDQ		
		1	J, U			EP0	DDQ		
30									SNAP RING
	83506054	3	B, T			EP0	DDQ		
		3	J, U			EP0	DDQ		
31									SHAFT, Gear Shift Fork, Number 1
	04874510	1	B, T			EP0	DDQ		
		1	J, U			EP0	DDQ		
32									SHAFT, Selector
	83506047	1	B, T			EP0	DDQ		
		1	J, U			EP0	DDQ		
33									SPRING, Compression Detent
	83500545	3	B, T			EP0	DDQ		

CHEROKEE (XJ)

SERIES LINE
H = Sport T = JEEP - 2WD
L = SE B = JEEP - 2WD (RHD)
P = Classic J = JEEP - 4WD
S = Limited U = JEEP - 4WD (RHD)

BODY
74 = 4 Dr (101.4WB)
72 = 2 Dr (101.4WB)

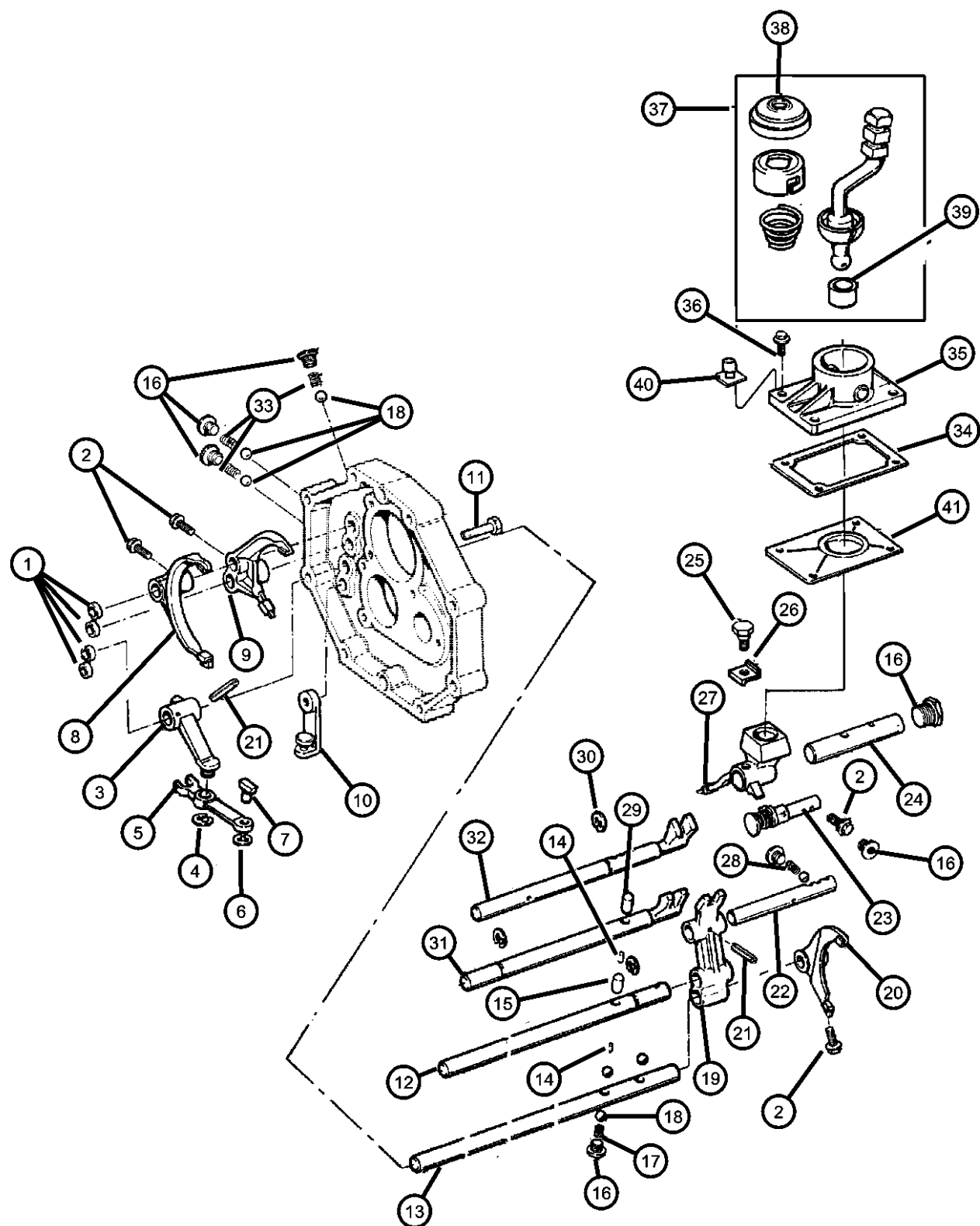
ENGINE
ENC = ENGINE - 2.5L 4 CYL
TURBO DIESEL
EPE = ENGINE - 2.5L POWER
TECH I-4 Cyl.
ERH = ENGINE - 4.0L
POWER TECH I-6

TRANSMISSION
DDD = TRANSMISSION - 5-SPEED
HD MANUAL
DDQ = TRANSMISSION - 5-SPEED
MANUAL
DGD = TRANSMISSION - 3-SPD.
AUTOMATIC,30RH
DGK = TRANSMISSION - 4-SPD.
AUTOMATIC,42RE
DGS = TRANSMISSION-4SPD.
AUTO,AISIN WARNER
DGT = TRANSMISSION - 4-SPD.
AUTOMATIC,46RE
DGW = TRANSMISSION - 4-SPD.
AUTOMATIC,44RE
DGX = TRANSMISSION - 4-SPEED
AUTOMATIC
DBB = ALL MANUAL
TRANSMISSIONS
DGO = ALL AUTOMATIC
TRANSMISSIONS

AR = use ase required - = Non illustrated part

2000 XJ

Forks AX 5 (DDQ)
Figure AX-910



ITEM	PART NUMBER	QTY	LINE	SERIES	BODY	ENGINE	TRANS	TRIM	DESCRIPTION
34		3	J, U			EP0	DDQ		GASKET, Shift Lever Housing
	83500521	1	B, T			EP0	DDQ		
		1	J, U			EP0	DDQ		
35		1	B, T			EP0	DDQ		RETAINER, Control Shift Lever
	04864219	1	J, U			EP0	DDQ		
36		4	B, T			EP0	DDQ		BOLT AND LOCK WASHER, Hex Head, M8x1.25x30
	83500525	4	J, U			EP0	DDQ		
37		1	B, T			EP0	DDQ		LEVER, Gearshift
	04874289	1	J, U			EP0	DDQ		
38		1	B, T			EP0	DDQ		BOOT, Gearshift
	83500520	1	J, U			EP0	DDQ		
39		1	B, T			EP0	DDQ		BUSHING, Shift Lever
	83500519	1	J, U			EP0	DDQ		
40		AR	B, T			EP0	DDQ		CAP, Vent
	04864215	AR	J, U			EP0	DDQ		
41									SHIELD, Transmission

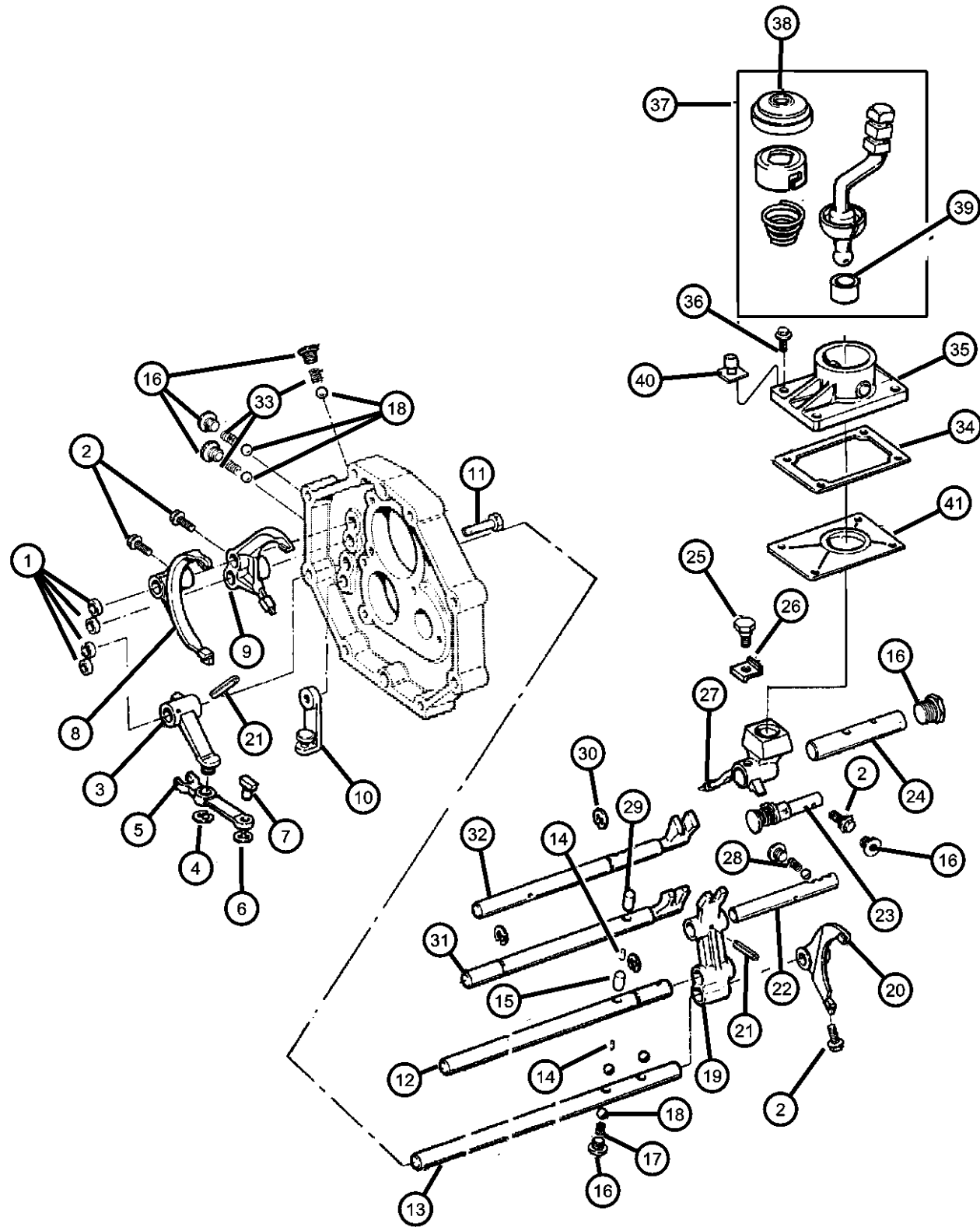
CHEROKEE (XJ)
 SERIES LINE BODY ENGINE TRANSMISSION
 H = Sport T = JEEP - 2WD 74 = 4 Dr (101.4WB) ENC = ENGINE - 2.5L 4 CYL TURBO DIESEL DDD = TRANSMISSION - 5-SPEED HD MANUAL
 L = SE B = JEEP - 2WD (RHD) 72 = 2 Dr (101.4WB) EPE = ENGINE - 2.5L POWER TECH I-4 Cyl. DDQ = TRANSMISSION - 5-SPEED MANUAL
 P = Classic J = JEEP - 4WD ERH = ENGINE - 4.0L DGD = TRANSMISSION - 3-SPD. AUTOMATIC,30RH
 S = Limited U = JEEP - 4WD (RHD) DGT = TRANSMISSION - 4-SPD. AUTOMATIC,42RE
 DGS = TRANSMISSION-4SPD. AUTO,AISIN WARNER
 DGT = TRANSMISSION - 4-SPD. AUTOMATIC,46RE
 DGW = TRANSMISSION - 4-SPD. AUTOMATIC,44RE
 DGX = TRANSMISSION - 4-SPEED AUTOMATIC
 DBB = ALL MANUAL TRANSMISSIONS
 DGO = ALL AUTOMATIC TRANSMISSIONS

AR = use ase required - = Non illustrated part

Forks AX 5 (DDQ)
Figure AX-910

ITEM	PART NUMBER	QTY	LINE	SERIES	BODY	ENGINE	TRANS	TRIM	DESCRIPTION
------	-------------	-----	------	--------	------	--------	-------	------	-------------

04864216	AR	B, T				EP0	DDQ		
	AR	J, U				EP0	DDQ		



CHEROKEE (XJ)

SERIES	LINE
H = Sport	T = JEEP - 2WD
L = SE	B = JEEP - 2WD (RHD)
P = Classic	J = JEEP - 4WD
S = Limited	U = JEEP - 4WD (RHD)

BODY
74 = 4 Dr (101.4WB)
72 = 2 Dr (101.4WB)

ENGINE
ENC = ENGINE - 2.5L 4 CYL TURBO DIESEL
EPE = ENGINE - 2.5L POWER TECH I-4 Cyl.
ERH = ENGINE - 4.0L POWER TECH I-6

TRANSMISSION
DDD = TRANSMISSION - 5-SPEED HD MANUAL
DDQ = TRANSMISSION - 5-SPEED MANUAL
DGD = TRANSMISSION - 3-SPD. AUTOMATIC,30RH
DGK = TRANSMISSION - 4-SPD. AUTOMATIC,42RE
DGS = TRANSMISSION-4SPD. AUTO,AISIN WARNER
DGT = TRANSMISSION - 4-SPD. AUTOMATIC,46RE
DGW = TRANSMISSION - 4-SPD. AUTOMATIC,44RE
DGX = TRANSMISSION - 4-SPEED AUTOMATIC
DBB = ALL MANUAL TRANSMISSIONS
DGO = ALL AUTOMATIC TRANSMISSIONS

AR = use ase required - = Non illustrated part

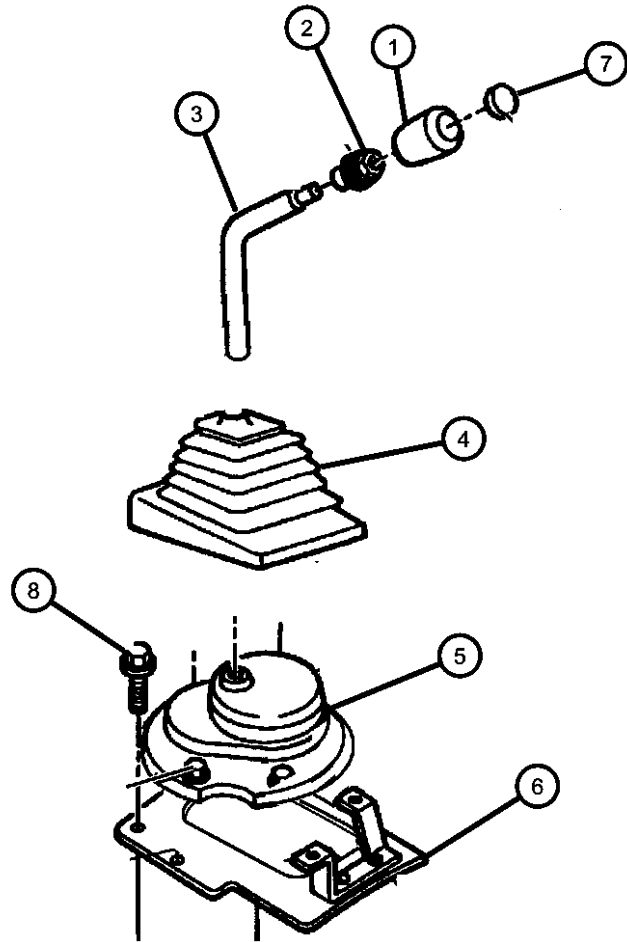
**Gearshift Controls (DDQ)
Figure AX-1215**

ITEM	PART NUMBER	QTY	LINE	SERIES	BODY	ENGINE	TRANS	TRIM	DESCRIPTION
------	-------------	-----	------	--------	------	--------	-------	------	-------------

Notes:

DBB = All Manual Transmissions
 DD0 = All 5 Speed Manual Transmissions
 DDQ = 5 Speed Manual Transmission
 EP0 = All 2.5L Gas Engines

1	52104174	1					DD0		KNOB, Gearshift
2	06502556	1					DBB		NUT, Hex, M10-1.5
3									LEVER, Gearshift
	04874289	1	B, T			EP0	DDQ		
		1	J, U			EP0	DDQ		
4	52104079AC	1					DBB		BOOT, Gear Shift Lever
5	52104170	1					DBB		BOOT, Gear Shift Lever
6	52104169	1					DDD		COVER, Floor Pan
7	04446921	1					DD0		INSERT, Transmission Shift Knob
8	J4001701	AR							SCREW, Hex Self Tapping, .19-16x.50



CHEROKEE (XJ)

SERIES	LINE	BODY	ENGINE	TRANSMISSION
H = Sport	T = JEEP - 2WD	74 = 4 Dr (101.4WB)	ENC = ENGINE - 2.5L 4 CYL TURBO DIESEL	DDD = TRANSMISSION - 5-SPEED HD MANUAL
L = SE	B = JEEP - 2WD (RHD)	72 = 2 Dr (101.4WB)	EPE = ENGINE - 2.5L POWER TECH I-4 Cyl.	DDQ = TRANSMISSION - 5-SPEED MANUAL
P = Classic	J = JEEP - 4WD		ERH = ENGINE - 4.0L POWER TECH I-6	DGD = TRANSMISSION - 3-SPD. AUTOMATIC,30RH
S = Limited	U = JEEP - 4WD (RHD)			DGK = TRANSMISSION - 4-SPD. AUTOMATIC,42RE
				DGS = TRANSMISSION-4SPD. AUTO,AISIN WARNER
				DGT = TRANSMISSION - 4-SPD. AUTOMATIC,46RE
				DGW = TRANSMISSION - 4-SPD. AUTOMATIC,44RE
				DGX = TRANSMISSION - 4-SPEED AUTOMATIC
				DBB = ALL MANUAL TRANSMISSIONS
				DGO = ALL AUTOMATIC TRANSMISSIONS

AR = use ase required - = Non illustrated part

2000 XJ

Group - 231

Transfer Case Model 231 [DHJ, DHK, DHN]

Group - 231 Transfer Case Model 231 [DHJ, DHK, DHN]

Illustration Title

Group-Fig. No.

Transfer Case Assembly

Transfer Case Command Trac (DHN) Fig. 231 - 110

Case and Related Parts

Case and Related Parts Command Trac (DHN) Fig. 231 - 210

Gear Train

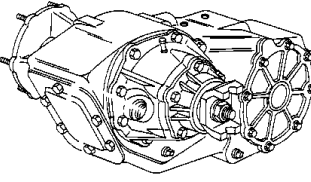

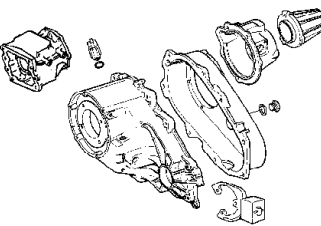
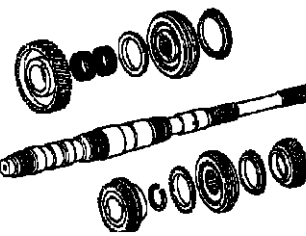
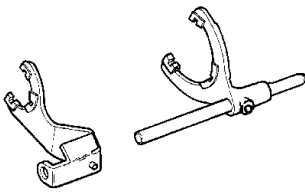
Gear Train Command Trac (DHN) Fig. 231 - 410

Fork and Rails

Fork and Rails Command Trac (DHN) Fig. 231 - 910

Gearshift Controls

Gearshift Controls Command Trac (DHN) Fig. 231 - 1220

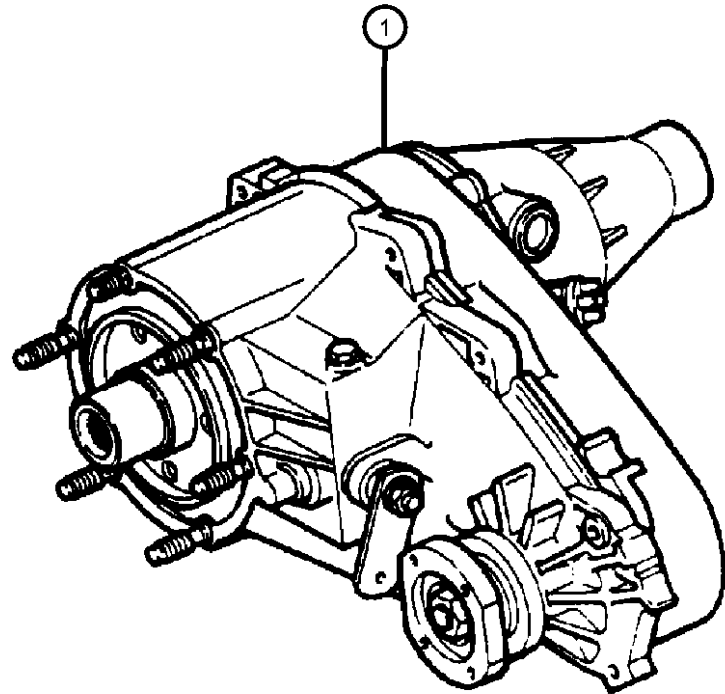
<p>231-100 Transfer Case Assembly</p> 	<p>231-1200 Gearshift Controls</p> 	<p>231-200 Case and Related Parts</p> 	<p>231-400 Gear Train</p> 
<p>231-900 Fork and Rails</p> 			

**Transfer Case Command Trac (DHN)
Figure 231-110**

ITEM	PART NUMBER	QTY	LINE	SERIES	BODY	ENGINE	TRANS	TRIM	DESCRIPTION
1									TRANSFER CASE, NV231
	52098913	1	J, U			EN0	DDQ		
	R2098913								Mopar Reman Manual Transmission
	52099212AB	1	J, U			ER0	DG0		
	52099310AB	1	J, U			EP0	DDQ		
	52099353AA	1	J, U			ER0	DDD		

Notes:

EP0= All 2.5L, 4 Cylinder, Gas Engine
ER0= All 4.0L., 6 Cylinder, Gas Engine
EN0= All 4/5 Cylinder, Turbo Diesel Engine
DDQ = 5 Speed Manual Transmission
DG0 = All Automatic Transmissions

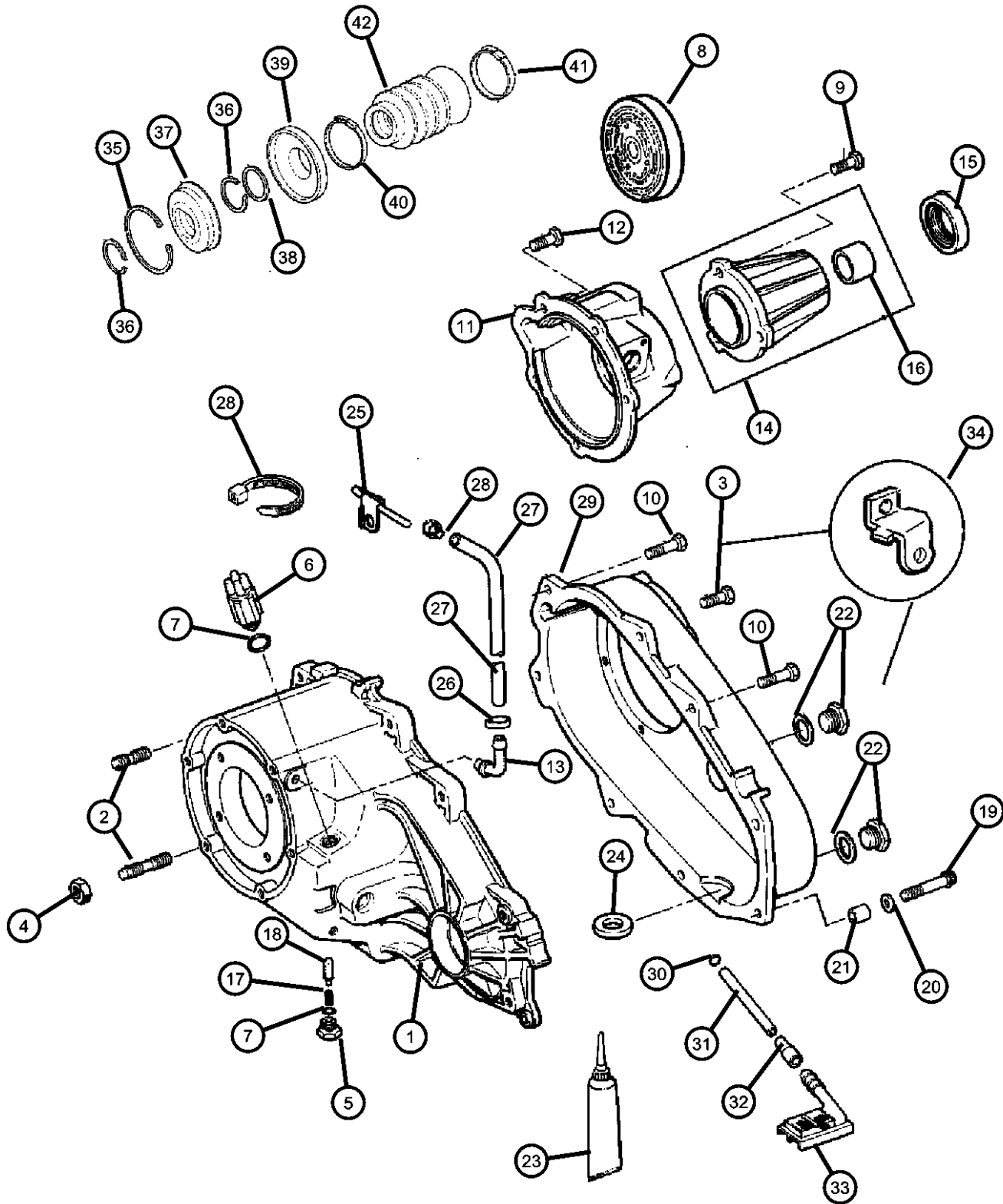


CHEROKEE (XJ)

SERIES	LINE	BODY	ENGINE	TRANSMISSION
H = Sport	T = JEEP - 2WD	74 = 4 Dr (101.4WB)	ENC = ENGINE - 2.5L 4 CYL TURBO DIESEL	DDD = TRANSMISSION - 5-SPEED HD MANUAL
L = SE	B = JEEP - 2WD (RHD)	72 = 2 Dr (101.4WB)	EPE = ENGINE - 2.5L POWER TECH I-4 Cyl.	DDQ = TRANSMISSION - 5-SPEED MANUAL
P = Classic	J = JEEP - 4WD		ERH = ENGINE - 4.0L POWER TECH I-6	DGD = TRANSMISSION - 3-SPD. AUTOMATIC,30RH
S = Limited	U = JEEP - 4WD (RHD)			DGK = TRANSMISSION - 4-SPD. AUTOMATIC,42RE
				DGS = TRANSMISSION-4SPD. AUTO,AISIN WARNER
				DGT = TRANSMISSION - 4-SPD. AUTOMATIC,46RE
				DGW = TRANSMISSION - 4-SPD. AUTOMATIC,44RE
				DGX = TRANSMISSION - 4-SPEED AUTOMATIC
				DBB = ALL MANUAL TRANSMISSIONS
				DGO = ALL AUTOMATIC TRANSMISSIONS

AR = use ase required - = Non illustrated part

**Case and Related Parts Command Trac (DHN)
Figure 231-210**



ITEM	PART NUMBER	QTY	LINE	SERIES	BODY	ENGINE	TRANS	TRIM	DESCRIPTION
------	-------------	-----	------	--------	------	--------	-------	------	-------------

Notes:
 EP0= All 2.5L, 4 Cylinder, Gas Engine
 ER0= All 4.0L., 6 Cylinder, Gas Engine
 EN0= All 4/5 Cylinder, Turbo Diesel Engine
 DD0 = All 5 Speed Manual Transmissions
 DDQ = 5 Speed Manual Transmission
 DG0 = All Automatic Transmissions

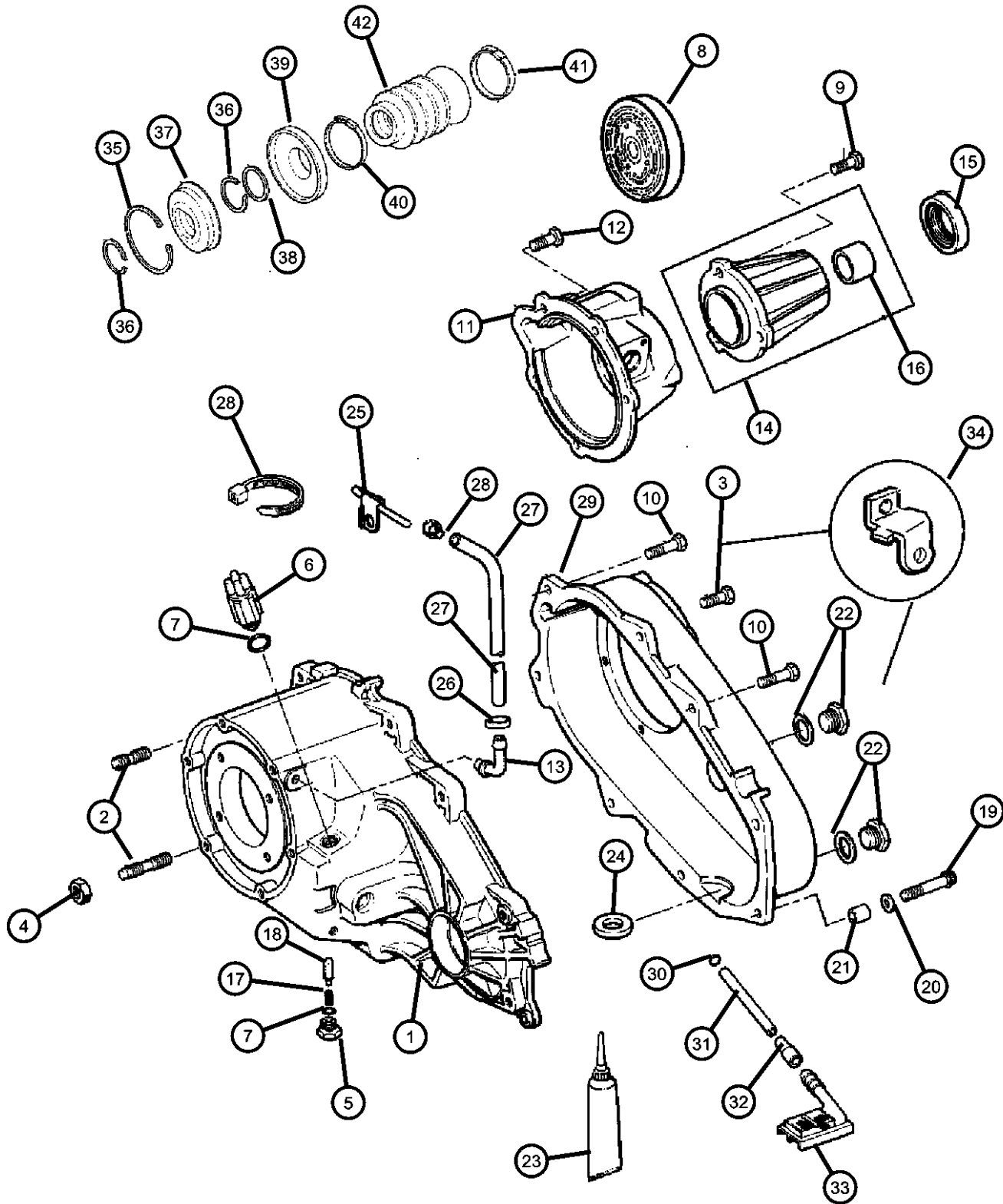
1	04796949	1	J, U			EN0	DD0		CASE, Transfer Front
	04798111	1	J, U			ER0	DG0		
		1	J, U			EP0	DDQ		
		1	J, U			ER0	DDD		
2	04505365	6	J, U			EN0	DD0		STUD
		6	J, U			ER0	DG0		
		6	J, U			EP0	DDQ		
		6	J, U			ER0	DDD		
3	J8130979	1	J, U			EN0	DD0		BOLT, Twelve Point Head, M10x1.5x48
		1	J, U			ER0	DG0		
		1	J, U			EP0	DDQ		
		1	J, U			ER0	DDD		
4	J4006681	5	J, U			EP0	DD0		NUT AND CONED WASHER, Hex, .375-24
		6	J, U			EN0, ER0			
5									SCREW

CHEROKEE (XJ)		BODY	ENGINE	TRANSMISSION
SERIES	LINE			
H = Sport	T = JEEP - 2WD	74 = 4 Dr (101.4WB)	ENC = ENGINE - 2.5L 4 CYL TURBO DIESEL	DDD = TRANSMISSION - 5-SPEED HD MANUAL
L = SE	B = JEEP - 2WD (RHD)	72 = 2 Dr (101.4WB)	EPE = ENGINE - 2.5L POWER TECH I-4 Cyl.	DDQ = TRANSMISSION - 5-SPEED MANUAL
P = Classic	J = JEEP - 4WD		ERH = ENGINE - 4.0L POWER TECH I-6	DGD = TRANSMISSION - 3-SPD. AUTOMATIC,30RH
S = Limited	U = JEEP - 4WD (RHD)			DGK = TRANSMISSION - 4-SPD. AUTOMATIC,42RE
				DGS = TRANSMISSION-4SPD. AUTO,AISIN WARNER
				DGT = TRANSMISSION - 4-SPD. AUTOMATIC,46RE
				DGW = TRANSMISSION - 4-SPD. AUTOMATIC,44RE
				DGX = TRANSMISSION - 4-SPEED AUTOMATIC
				DBB = ALL MANUAL TRANSMISSIONS
				DGO = ALL AUTOMATIC TRANSMISSIONS

AR = use ase required - = Non illustrated part

Case and Related Parts Command Trac (DHN)

Figure 231-210



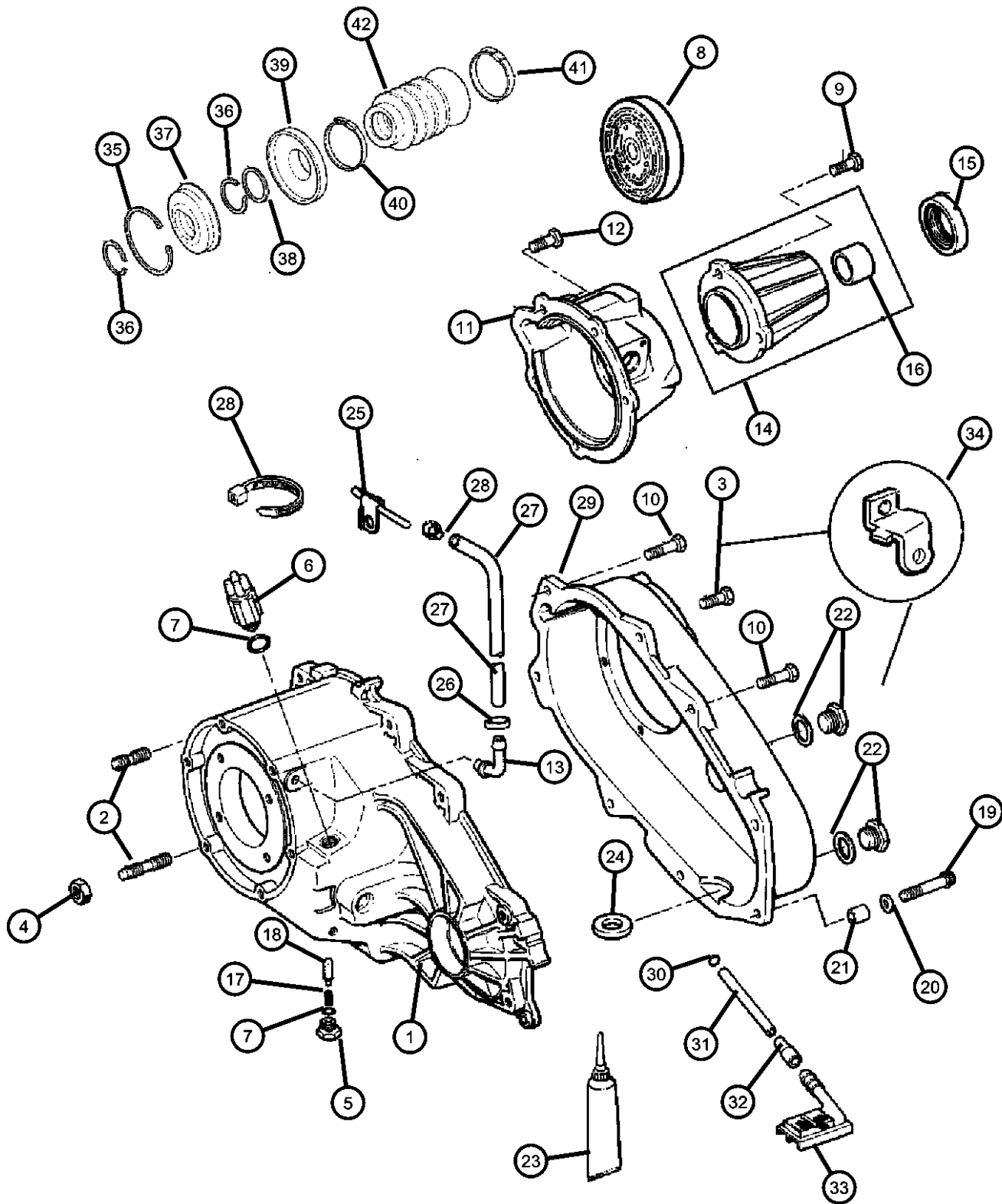
ITEM	PART NUMBER	QTY	LINE	SERIES	BODY	ENGINE	TRANS	TRIM	DESCRIPTION
	04886473AA	1	J, U			EP0	DDQ		
		1	J, U			EN0	DD0		
		1	J, U			ER0	DG0		
		1	J, U			ER0	DDD		
6	J8134473	1	J, U			EN0	DD0		SWITCH, Transfer Case Mode
		1	J, U			ER0	DG0		
		1	J, U			EP0	DDQ		
		1	J, U			ER0	DDD		
7	04338956	2	J, U			EN0	DDQ		SEAL, Vacuum Switch
		2	J, U			EN0	DD0		
		2	J, U			EP0	DDQ		
		1	J, U			ER0	DDD		
8	05017819AA	1	J, U			ER0	DDD		DAMPER, Transfer Case
9	04720708	3	J, U			EN0	DDQ		STUD
10	04210617	5	J, U			EN0	DD0		BOLT, Transfer Case
		5	J, U			ER0	DG0		
		5	J, U			EP0	DDQ		
		5	J, U			ER0	DDD		
11	04741243	1	J, U			EN0	DDQ		RETAINER, Transfer Case Rear
	05017477AA	1	J, U			ER0	DG0		
		1	J, U			ER0	DDD		

CHEROKEE (XJ)

SERIES	LINE	BODY	ENGINE	TRANSMISSION
H = Sport	T = JEEP - 2WD	74 = 4 Dr (101.4WB)	ENC = ENGINE - 2.5L 4 CYL TURBO DIESEL	DDD = TRANSMISSION - 5-SPEED HD MANUAL
L = SE	B = JEEP - 2WD (RHD)	72 = 2 Dr (101.4WB)	EPE = ENGINE - 2.5L POWER TECH I-4 Cyl.	DDQ = TRANSMISSION - 5-SPEED MANUAL
P = Classic	J = JEEP - 4WD		ERH = ENGINE - 4.0L POWER TECH I-6	DGD = TRANSMISSION - 3-SPD. AUTOMATIC,30RH
S = Limited	U = JEEP - 4WD (RHD)			DGK = TRANSMISSION - 4-SPD. AUTOMATIC,42RE
				DGS = TRANSMISSION-4SPD. AUTO,AISIN WARNER
				DGT = TRANSMISSION - 4-SPD. AUTOMATIC,46RE
				DGW = TRANSMISSION - 4-SPD. AUTOMATIC,44RE
				DGX = TRANSMISSION - 4-SPEED AUTOMATIC
				DBB = ALL MANUAL TRANSMISSIONS
				DGO = ALL AUTOMATIC TRANSMISSIONS

AR = use ase required - = Non illustrated part

Case and Related Parts Command Trac (DHN)
Figure 231-210

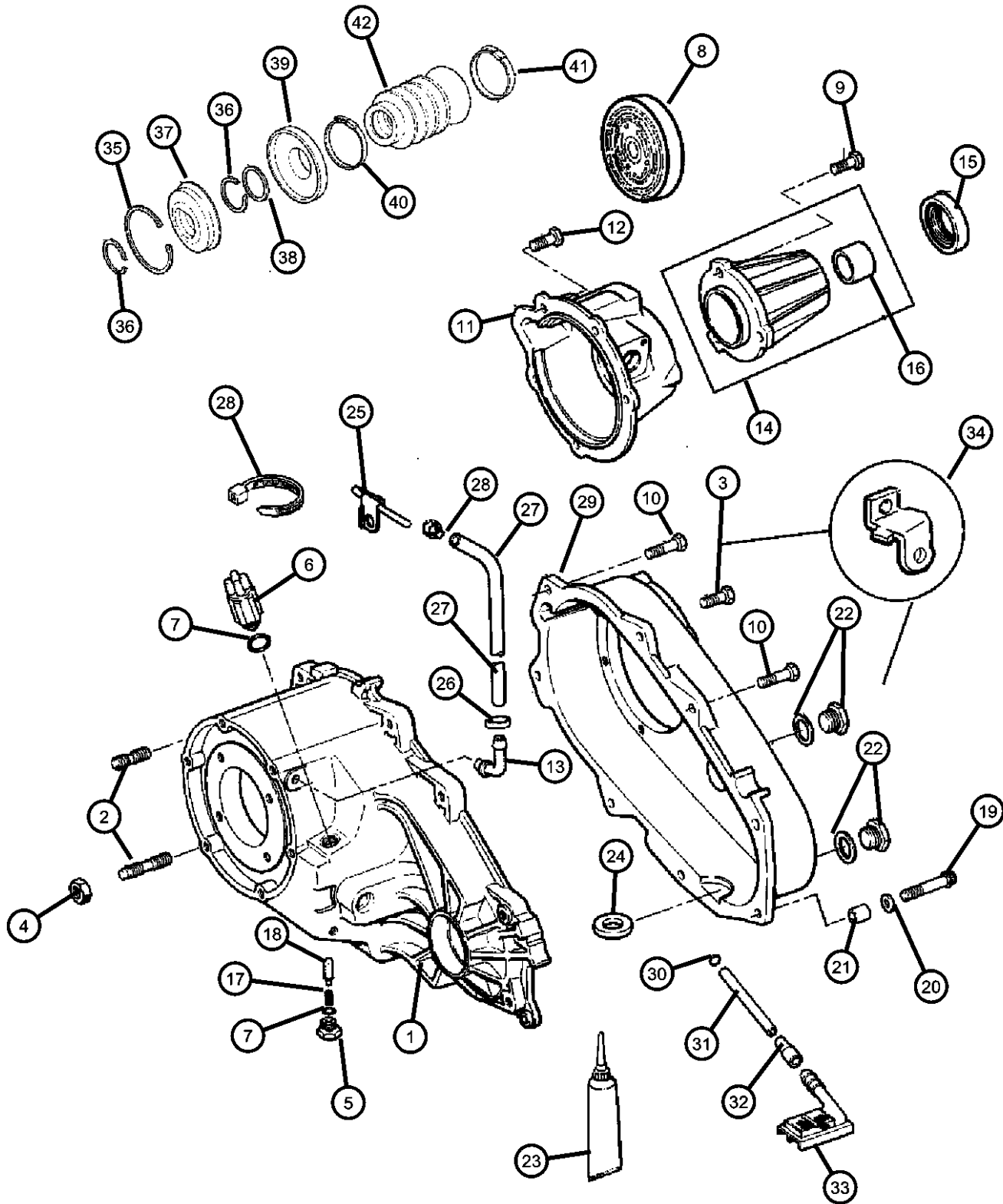


ITEM	PART NUMBER	QTY	LINE	SERIES	BODY	ENGINE	TRANS	TRIM	DESCRIPTION
12		1	J, U			EP0	DDQ		BOLT
	06500318	9	J, U			EN0	DDQ		
		9	J, U			EP0	DDQ		
		9	J, U			ER0	DG0		
		9	J, U			ER0	DDD		
13		1	J, U			EN0	DDQ		VENT, Transfer Case
	04796910	1	J, U			ER0	DG0		
		1	J, U			EP0	DDQ		
		1	J, U			ER0	DDD		
14		1	J, U			EN0	DDQ		EXTENSION, Transfer Case
	83503156	1	J, U			EN0	DD0		
15		1	J, U			EN0	DD0		SEAL, Output
	04638904	1	J, U			ER0	DG0		
	04798117	1	J, U			EP0	DDQ		
		1	J, U			ER0	DDD		
16	J8134490	1	J, U			EN0	DDQ		BUSHING, Extension Housing
17		1	J, U			EN0	DDQ		SPRING, Shift Detent
	04638497	1	J, U			ER0	DG0		
		1	J, U			EP0	DDQ		
		1	J, U			ER0	DDD		

CHEROKEE (XJ)
 SERIES LINE BODY ENGINE TRANSMISSION
 H = Sport T = JEEP - 2WD 74 = 4 Dr (101.4WB) ENC = ENGINE - 2.5L 4 CYL TURBO DIESEL DDD = TRANSMISSION - 5-SPEED HD MANUAL
 L = SE B = JEEP - 2WD (RHD) 72 = 2 Dr (101.4WB) EPE = ENGINE - 2.5L POWER TECH I-4 Cyl. DDQ = TRANSMISSION - 5-SPEED MANUAL
 P = Classic J = JEEP - 4WD ERH = ENGINE - 4.0L DGD = TRANSMISSION - 3-SPD. AUTOMATIC,30RH
 S = Limited U = JEEP - 4WD (RHD) POWER TECH I-6 DGS = TRANSMISSION-4SPD. AUTO,AISIN WARNER
 DGT = TRANSMISSION - 4-SPD. AUTOMATIC,46RE
 DGW = TRANSMISSION - 4-SPD. AUTOMATIC,44RE
 DGX = TRANSMISSION - 4-SPEED AUTOMATIC
 DBB = ALL MANUAL TRANSMISSIONS
 DGO = ALL AUTOMATIC TRANSMISSIONS

AR = use ase required - = Non illustrated part

Case and Related Parts Command Trac (DHN)
Figure 231-210

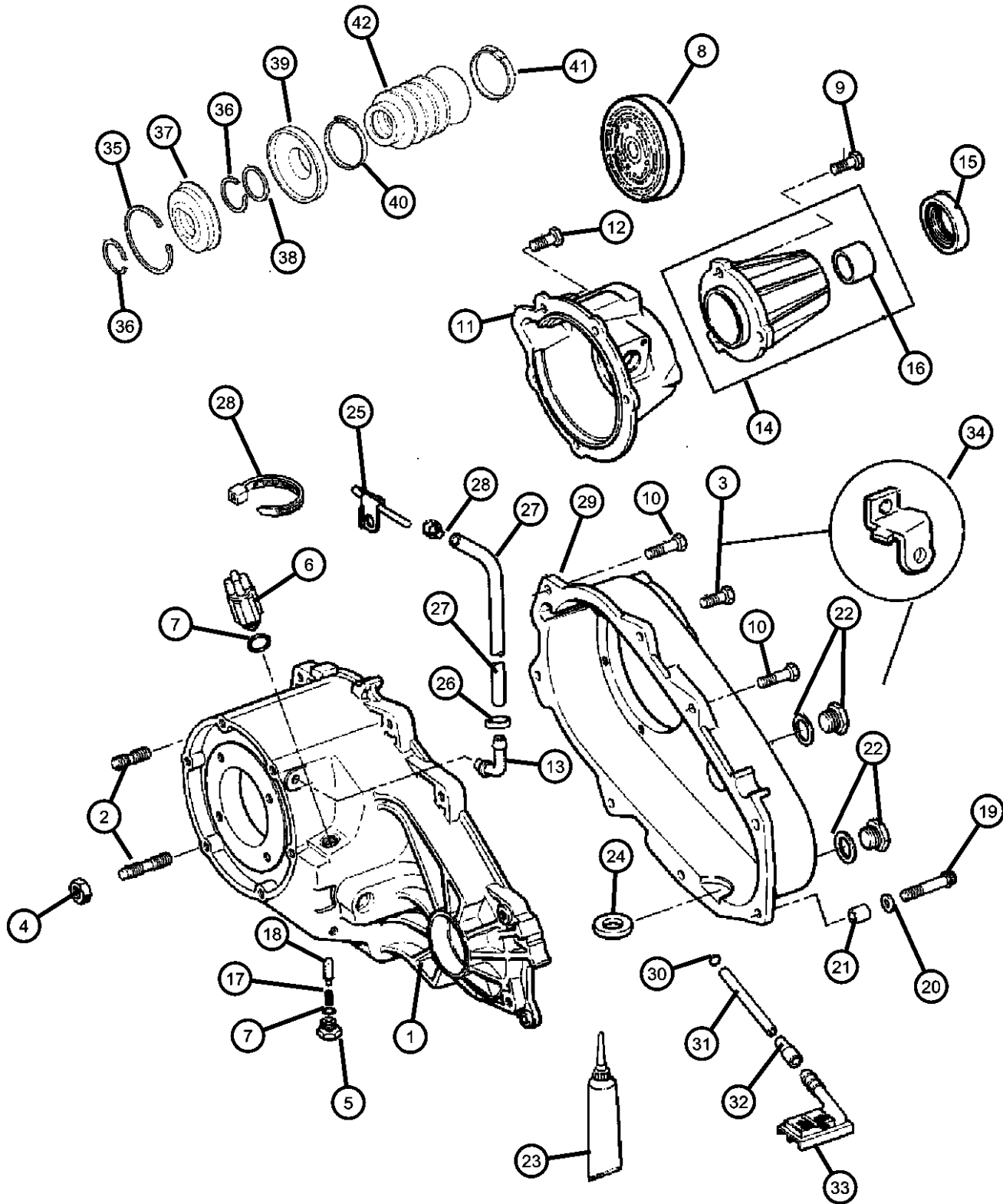


ITEM	PART NUMBER	QTY	LINE	SERIES	BODY	ENGINE	TRANS	TRIM	DESCRIPTION
18	53008217	1	J, U			EN0	DDQ		PLUNGER
		1	J, U			EP0	DDQ		
		1	J, U			ER0	DG0		
		1	J, U			ER0	DDD		
19	04210614	2	J, U			EN0	DDQ		BOLT, Hex Flange Head
		2	J, U			EN0	DD0		
		2	J, U			ER0	DG0		
		2	J, U			EP0	DDQ		
		2	J, U			ER0	DDD		
		2	J, U			ER0	DDD		
20	04210983	2	J, U			EN0	DDQ		WASHER, Flat
		2	J, U			ER0	DG0		
		2	J, U			EP0	DDQ		
		2	J, U			ER0	DDD		
		1	J, U			ER0	DG0		
		1	J, U			EP0	DDQ		
		1	J, U			ER0	DDD		
21	S2436163	1	J, U			EN0	DDQ		DOWEL, Transfer Case
		2	J, U			EN0	DDQ		
		2	J, U			EN0	DD0		
		2	J, U			ER0	DG0		
		2	J, U			EP0	DDQ		

CHEROKEE (XJ)
 SERIES LINE BODY ENGINE TRANSMISSION
 H = Sport T = JEEP - 2WD 74 = 4 Dr (101.4WB) ENC = ENGINE - 2.5L 4 CYL TURBO DIESEL DDD = TRANSMISSION - 5-SPEED HD MANUAL
 L = SE B = JEEP - 2WD (RHD) 72 = 2 Dr (101.4WB) EPE = ENGINE - 2.5L POWER TECH I-4 Cyl. DDQ = TRANSMISSION - 5-SPEED MANUAL
 P = Classic J = JEEP - 4WD ERH = ENGINE - 4.0L DGD = TRANSMISSION - 3-SPD. AUTOMATIC,30RH
 S = Limited U = JEEP - 4WD (RHD) POWER TECH I-6 DGS = TRANSMISSION-4SPD. AUTO,AISIN WARNER
 DGT = TRANSMISSION - 4-SPD. AUTOMATIC,46RE
 DGW = TRANSMISSION - 4-SPD. AUTOMATIC,44RE
 DGX = TRANSMISSION - 4-SPEED AUTOMATIC
 DBB = ALL MANUAL TRANSMISSIONS
 DGO = ALL AUTOMATIC TRANSMISSIONS

AR = use ase required - = Non illustrated part

**Case and Related Parts Command Trac (DHN)
Figure 231-210**

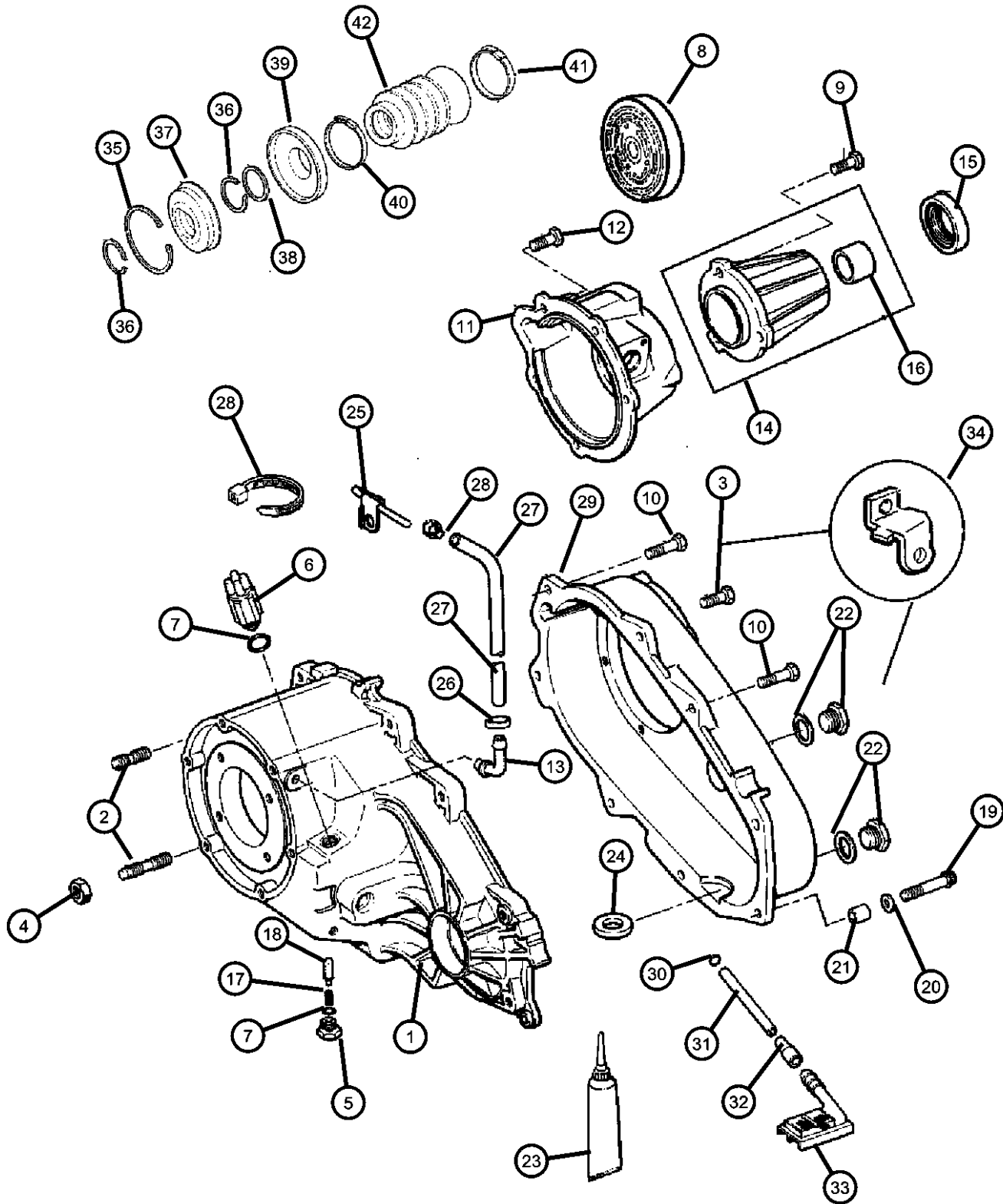


ITEM	PART NUMBER	QTY	LINE	SERIES	BODY	ENGINE	TRANS	TRIM	DESCRIPTION
22		2	J, U			ER0	DDD		PLUG, Oil Fill
	04856641	2	J, U			EN0	DDQ		
		2	J, U			ER0	DG0		
		2	J, U			EP0	DDQ		
		2	J, U			ER0	DDD		
23	05010884AA	1	J, U			EN0	DD0		SEALANT, RTV
24									MAGNET, Transmission
	03681601	1	J, U			EN0	DDQ		
		1	J, U			EP0	DDQ		
		1	J, U			ER0	DG0		
		1	J, U			ER0	DDD		
25									VENT, Transfer Case
	04796910	1	J, U			EN0	DDQ		
		1	J, U			ER0	DG0		
		1	J, U			EP0	DDQ		
		1	J, U			ER0	DDD		
26	06502081	2	J, U						CLAMP, Oil Cooler Line
27	04443176	1							HOSE, Fuel, .31 I.D. 50 Foot Roll
28	04641780	1							STRAP, Tie
29									CASE, Transfer Rear
	04886222AA	1	J, U			EN0	DDQ		
		1	J, U			ER0	DG0		
		1	J, U			EP0	DDQ		
		1	J, U			ER0	DDD		

CHEROKEE (XJ)
 SERIES LINE BODY ENGINE TRANSMISSION
 H = Sport T = JEEP - 2WD 74 = 4 Dr (101.4WB) ENC = ENGINE - 2.5L 4 CYL TURBO DIESEL DDD = TRANSMISSION - 5-SPEED HD MANUAL
 L = SE B = JEEP - 2WD (RHD) 72 = 2 Dr (101.4WB) EPE = ENGINE - 2.5L POWER TECH I-4 Cyl. DDQ = TRANSMISSION - 5-SPEED MANUAL
 P = Classic J = JEEP - 4WD ERH = ENGINE - 4.0L DGD = TRANSMISSION - 3-SPD. AUTOMATIC,30RH
 S = Limited U = JEEP - 4WD (RHD) POWER TECH I-6 DGS = TRANSMISSION-4SPD. AUTOMATIC,42RE
 DGK = TRANSMISSION - 4-SPD. AUTOMATIC,42RE
 DGS = TRANSMISSION-4SPD. AUTO,AISIN WARNER
 DGT = TRANSMISSION - 4-SPD. AUTOMATIC,46RE
 DGW = TRANSMISSION - 4-SPD. AUTOMATIC,44RE
 DGX = TRANSMISSION - 4-SPEED AUTOMATIC
 DBB = ALL MANUAL TRANSMISSIONS
 DGO = ALL AUTOMATIC TRANSMISSIONS

AR = use ase required - = Non illustrated part

**Case and Related Parts Command Trac (DHN)
Figure 231-210**



ITEM	PART NUMBER	QTY	LINE	SERIES	BODY	ENGINE	TRANS	TRIM	DESCRIPTION
30	04338942	1	J, U			EN0	DDQ		SEAL, Oil
		1	J, U			ER0	DG0		
		1	J, U			EP0	DDQ		
		1	J, U			ER0	DDD		
31	04338941	1	J, U			EN0	DDQ		TUBE, Oil Pickup
		1	J, U			ER0	DG0		
		1	J, U			EP0	DDQ		
		1	J, U			ER0	DDD		
32	04338944	1	J, U			EN0	DDQ		CONNECTOR, Oil Tube Pickup
		1	J, U			ER0	DG0		
		1	J, U			EP0	DDQ		
		1	J, U			ER0	DDD		
33	04338943	1	J, U			EN0	DDQ		FILTER, Transfer Case Oil
		1	J, U			ER0	DG0		
		1	J, U			EP0	DDQ		
		1	J, U			ER0	DDD		
34	52098522	1	J, U			EP0, ER0			BRACKET, Tube
35	04338933	1	J, U			EN0	DDQ		SNAP RING
		1	J, U			ER0	DG0		
		1	J, U			EP0	DDQ		

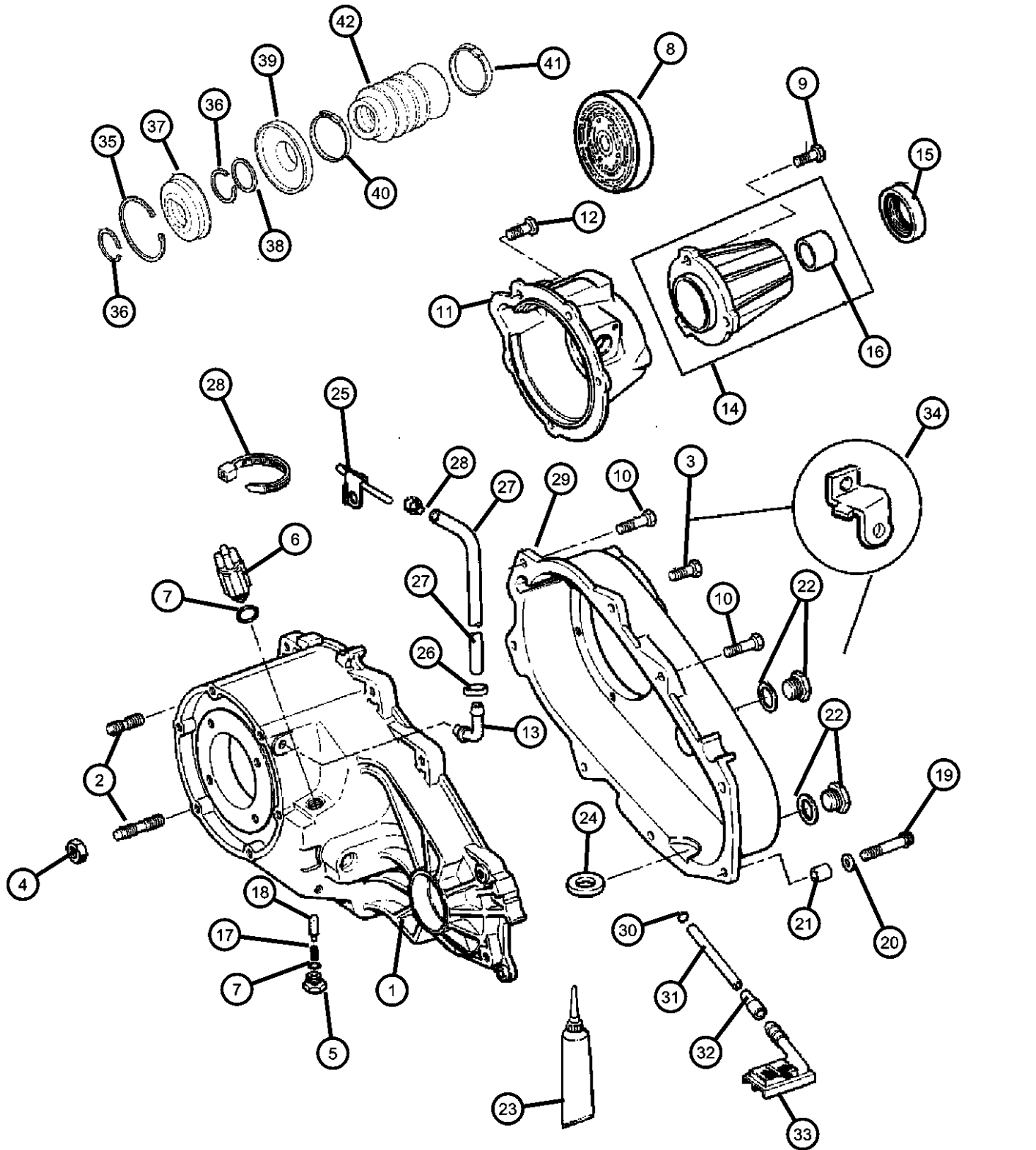
CHEROKEE (XJ)

SERIES	LINE	BODY	ENGINE	TRANSMISSION
H = Sport	T = JEEP - 2WD	74 = 4 Dr (101.4WB)	ENC = ENGINE - 2.5L 4 CYL TURBO DIESEL	DDD = TRANSMISSION - 5-SPEED HD MANUAL
L = SE	B = JEEP - 2WD (RHD)	72 = 2 Dr (101.4WB)	EPE = ENGINE - 2.5L POWER TECH I-4 Cyl.	DDQ = TRANSMISSION - 5-SPEED MANUAL
P = Classic	J = JEEP - 4WD		ERH = ENGINE - 4.0L POWER TECH I-6	DGD = TRANSMISSION - 3-SPD. AUTOMATIC,30RH
S = Limited	U = JEEP - 4WD (RHD)			DGK = TRANSMISSION - 4-SPD. AUTOMATIC,42RE
				DGS = TRANSMISSION-4SPD. AUTO,AISIN WARNER
				DGT = TRANSMISSION - 4-SPD. AUTOMATIC,46RE
				DGW = TRANSMISSION - 4-SPD. AUTOMATIC,44RE
				DGX = TRANSMISSION - 4-SPEED AUTOMATIC
				DBB = ALL MANUAL TRANSMISSIONS
				DGO = ALL AUTOMATIC TRANSMISSIONS

AR = use ase required - = Non illustrated part

Case and Related Parts Command Trac (DHN)

Figure 231-210



ITEM	PART NUMBER	QTY	LINE	SERIES	BODY	ENGINE	TRANS	TRIM	DESCRIPTION
36		1	J, U			ER0	DDD		SNAP RING
	J8134488	1	J, U			EN0	DDQ		
		1	J, U			ER0	DG0		
		1	J, U			ER0	DDD		
		1	J, U			EP0	DDQ		
37									SEAL, Output
	04338893	1	J, U			EN0	DDQ		
	04798117	1	J, U			ER0	DG0		
		1	J, U			EP0	DDQ		
		1	J, U			ER0	DDD		
38	S2436163	1	J, U			EN0	DD0		WASHER, Flat
39									SLINGER, Oil
	05016615AA	1	J, U			ER0	DG0		
		1	J, U			EP0	DDQ		
		1	J, U			ER0	DDD		
40									CLAMP, Boot
	04798121	1	J, U			ER0	DG0		
		1	J, U			EP0	DDQ		
		1	J, U			ER0	DDD		
41									CLAMP, Boot
	04798122	1	J, U			ER0	DG0		
		1	J, U			EP0	DDQ		
		1	J, U			ER0	DDD		
42									BOOT, Driveshaft

CHEROKEE (XJ)

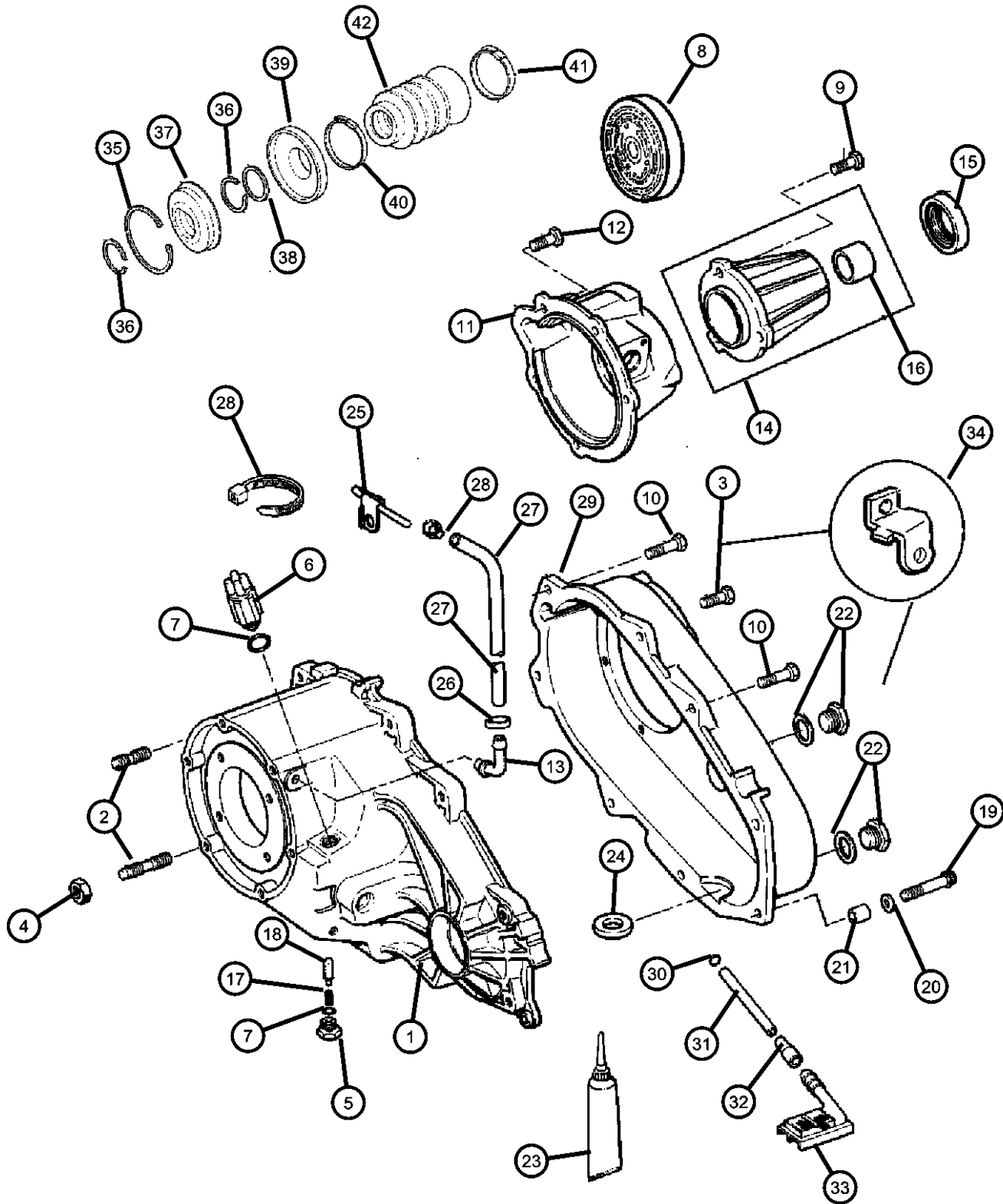
SERIES	LINE	BODY	ENGINE	TRANSMISSION
H = Sport	T = JEEP - 2WD	74 = 4 Dr (101.4WB)	ENC = ENGINE - 2.5L 4 CYL TURBO DIESEL	DDD = TRANSMISSION - 5-SPEED HD MANUAL
L = SE	B = JEEP - 2WD (RHD)	72 = 2 Dr (101.4WB)	EPE = ENGINE - 2.5L POWER TECH I-4 Cyl.	DDQ = TRANSMISSION - 5-SPEED MANUAL
P = Classic	J = JEEP - 4WD		ERH = ENGINE - 4.0L POWER TECH I-6	DGD = TRANSMISSION - 3-SPD. AUTOMATIC,30RH
S = Limited	U = JEEP - 4WD (RHD)			DGK = TRANSMISSION - 4-SPD. AUTOMATIC,42RE
				DGS = TRANSMISSION-4SPD. AUTO,AISIN WARNER
				DGT = TRANSMISSION - 4-SPD. AUTOMATIC,46RE
				DGW = TRANSMISSION - 4-SPD. AUTOMATIC,44RE
				DGX = TRANSMISSION - 4-SPEED AUTOMATIC
				DBB = ALL MANUAL TRANSMISSIONS
				DGO = ALL AUTOMATIC TRANSMISSIONS

AR = use ase required - = Non illustrated part

Case and Related Parts Command Trac (DHN)
Figure 231-210

ITEM	PART NUMBER	QTY	LINE	SERIES	BODY	ENGINE	TRANS	TRIM	DESCRIPTION
------	-------------	-----	------	--------	------	--------	-------	------	-------------

04798123	1	J, U				ER0	DG0		
	1	J, U				EP0	DDQ		
	1	J, U				ER0	DDD		



CHEROKEE (XJ)

SERIES	LINE
H = Sport	T = JEEP - 2WD
L = SE	B = JEEP - 2WD (RHD)
P = Classic	J = JEEP - 4WD
S = Limited	U = JEEP - 4WD (RHD)

BODY
74 = 4 Dr (101.4WB)
72 = 2 Dr (101.4WB)

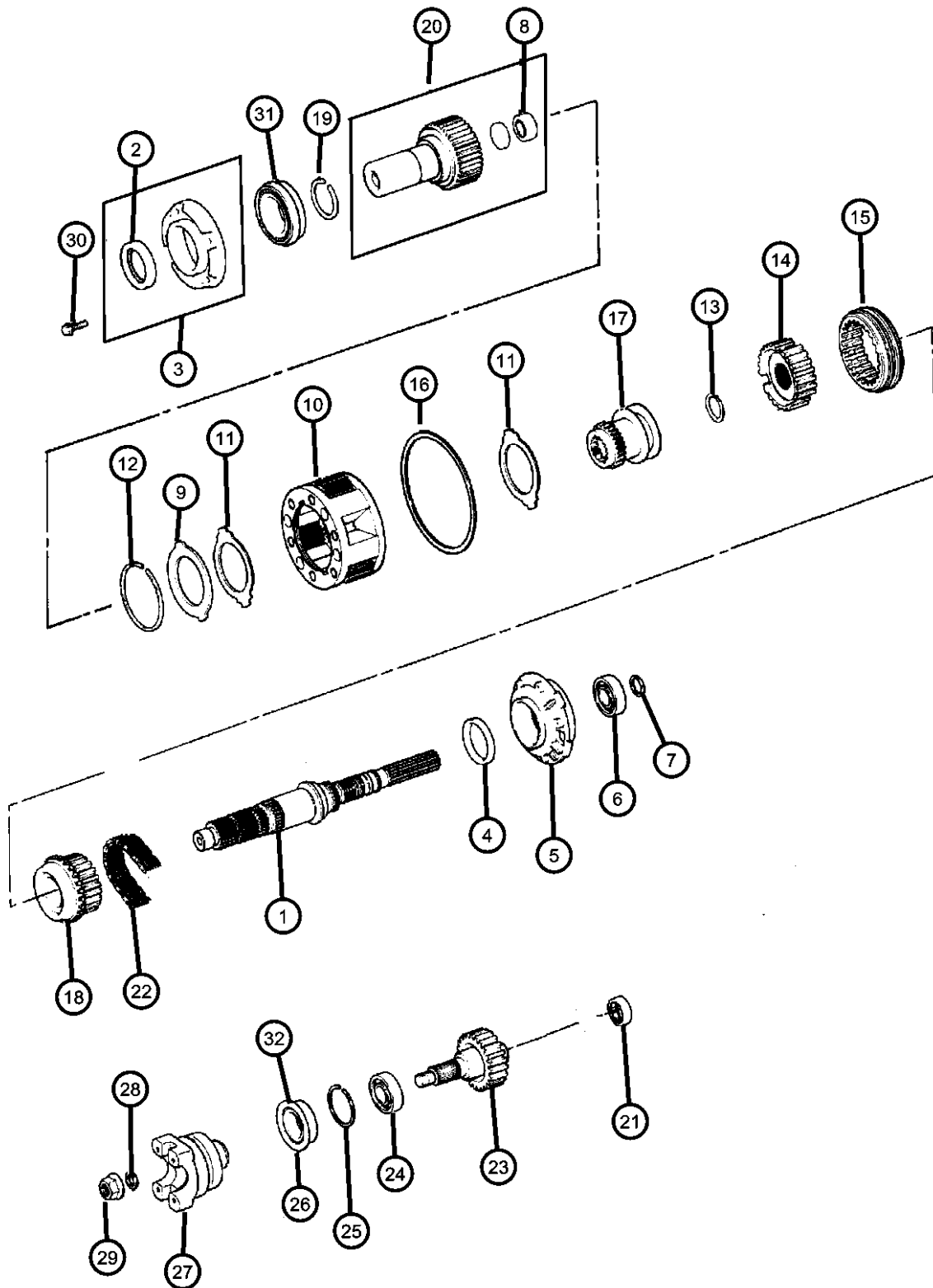
ENGINE
ENC = ENGINE - 2.5L 4 CYL TURBO DIESEL
EPE = ENGINE - 2.5L POWER TECH I-4 Cyl.
ERH = ENGINE - 4.0L POWER TECH I-6

TRANSMISSION
DDD = TRANSMISSION - 5-SPEED HD MANUAL
DDQ = TRANSMISSION - 5-SPEED MANUAL
DGD = TRANSMISSION - 3-SPD. AUTOMATIC,30RH
DGK = TRANSMISSION - 4-SPD. AUTOMATIC,42RE
DGS = TRANSMISSION-4SPD. AUTO,AISIN WARNER
DGT = TRANSMISSION - 4-SPD. AUTOMATIC,46RE
DGW = TRANSMISSION - 4-SPD. AUTOMATIC,44RE
DGX = TRANSMISSION - 4-SPEED AUTOMATIC
DBB = ALL MANUAL TRANSMISSIONS
DGO = ALL AUTOMATIC TRANSMISSIONS

AR = use ase required - = Non illustrated part

2000 XJ

**Gear Train Command Trac (DHN)
Figure 231-410**



ITEM	PART NUMBER	QTY	LINE	SERIES	BODY	ENGINE	TRANS	TRIM	DESCRIPTION
1									MAINSHAFT, Transfer Case
	04796907	1	J, U			EN0	DDQ		
	05016630AA	1	J, U			EP0	DDQ		
		1	J, U			ER0	DDD		
2									SEAL, Input Gear
	04167929	1	J, U			EN0	DDQ		
		1	J, U			ER0	DG0		
		1	J, U			EP0	DDQ		
		1	J, U			ER0	DDD		
3									EXTENSION, Transfer Case
	04338973	1	J, U			EN0	DDQ		
		1	J, U			ER0	DG0		
		1	J, U			EP0	DDQ		
		1	J, U			ER0	DDD		
4									SEAL, Main Shaft
	04210603	1	J, U			EN0	DDQ		
		1	J, U			ER0	DG0		
		1	J, U			EP0	DDQ		
		1	J, U			ER0	DDD		

Notes:

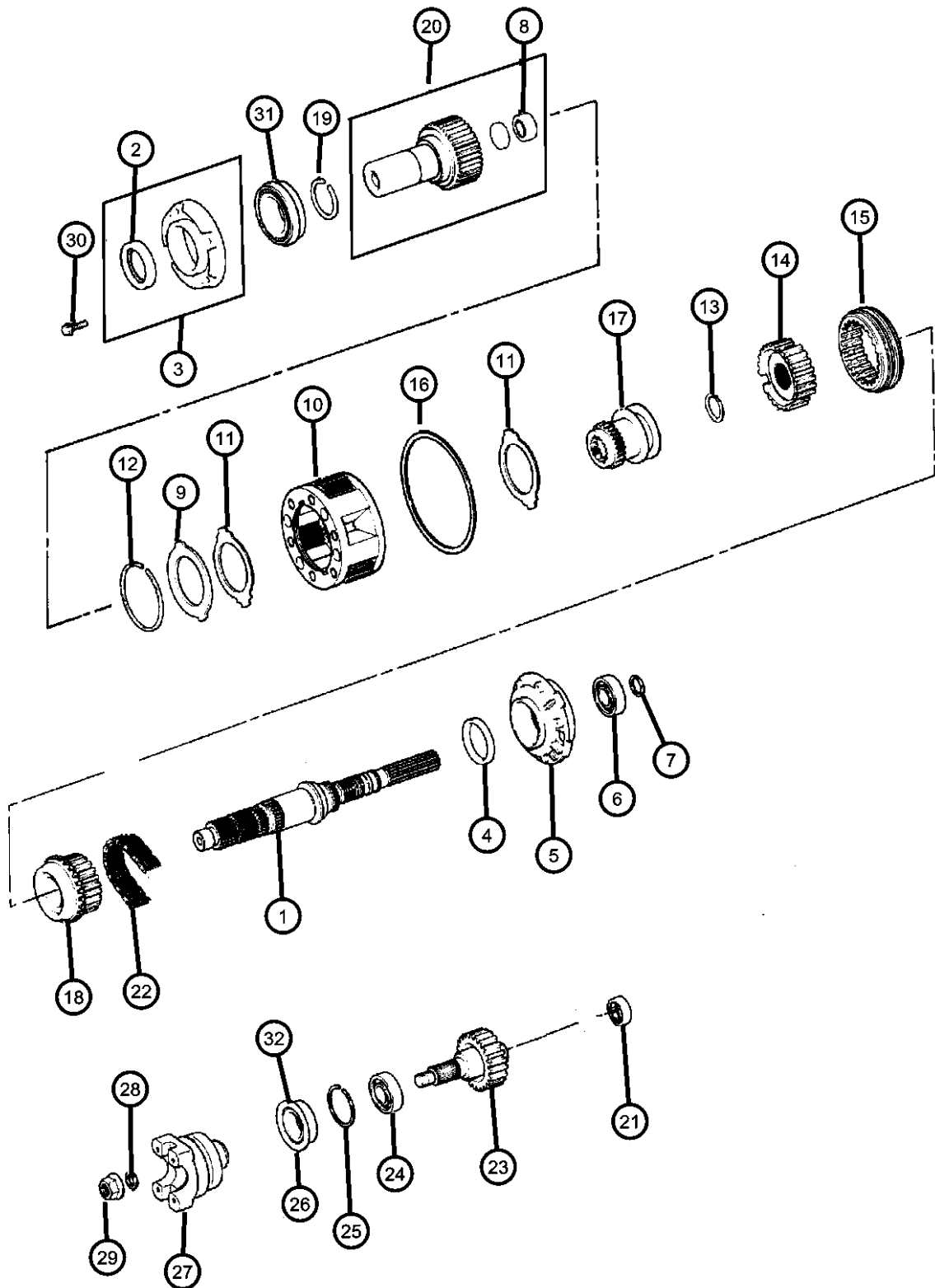
- EP0= All 2.5L, 4 Cylinder, Gas Engine
- ER0= All 4.0L., 6 Cylinder, Gas Engine
- EN0= All 4/5 Cylinder, Turbo Diesel Engine
- DD0 = All 5 Speed Manual Transmissions
- DDD = 5 Speed Heavy Duty Manual Transmission
- DDQ = 5 Speed Manual Transmission
- DG0 = All Automatic Transmissions

CHEROKEE (XJ)

SERIES	LINE	BODY	ENGINE	TRANSMISSION
H = Sport	T = JEEP - 2WD	74 = 4 Dr (101.4WB)	ENC = ENGINE - 2.5L 4 CYL TURBO DIESEL	DDD = TRANSMISSION - 5-SPEED HD MANUAL
L = SE	B = JEEP - 2WD (RHD)	72 = 2 Dr (101.4WB)	EPE = ENGINE - 2.5L POWER TECH I-4 Cyl.	DDQ = TRANSMISSION - 5-SPEED MANUAL
P = Classic	J = JEEP - 4WD		ERH = ENGINE - 4.0L POWER TECH I-6	DGD = TRANSMISSION - 3-SPD. AUTOMATIC,30RH
S = Limited	U = JEEP - 4WD (RHD)			DGK = TRANSMISSION - 4-SPD. AUTOMATIC,42RE
				DGS = TRANSMISSION-4SPD. AUTO,AISIN WARNER
				DGT = TRANSMISSION - 4-SPD. AUTOMATIC,46RE
				DGW = TRANSMISSION - 4-SPD. AUTOMATIC,44RE
				DGX = TRANSMISSION - 4-SPEED AUTOMATIC
				DBB = ALL MANUAL TRANSMISSIONS
				DGO = ALL AUTOMATIC TRANSMISSIONS

AR = use ase required - = Non illustrated part

**Gear Train Command Trac (DHN)
Figure 231-410**



ITEM	PART NUMBER	QTY	LINE	SERIES	BODY	ENGINE	TRANS	TRIM	DESCRIPTION
5	04338936	1	J, U			EN0	DDQ		PUMP, Transfer Case Oil
		1	J, U			ER0	DG0		
		1	J, U			EP0	DDQ		
		1	J, U			ER0	DDD		
6	04338892	2	J, U			EN0	DDQ		BEARING
		1	J, U			ER0	DG0		
		1	J, U			EP0	DDQ		
		1	J, U			ER0	DDD		
7	J8134488	1	J, U			EN0	DDQ		SNAP RING
		1	J, U			ER0	DG0		
		1	J, U			ER0	DDD		
		1	J, U			EP0	DDQ		
8	83503507	1	J, U			EN0	DDQ		BEARING, Input Shaft
		1	J, U			ER0	DG0		
		1	J, U			EP0	DDQ		
		1	J, U			ER0	DDD		
9	04338909	1	J, U			EN0	DDQ		RING
		1	J, U			ER0	DG0		
		1	J, U			EP0	DDQ		
		1	J, U			ER0	DDD		

CHEROKEE (XJ)

SERIES	LINE
H = Sport	T = JEEP - 2WD
L = SE	B = JEEP - 2WD (RHD)
P = Classic	J = JEEP - 4WD
S = Limited	U = JEEP - 4WD (RHD)

BODY
74 = 4 Dr (101.4WB)
72 = 2 Dr (101.4WB)

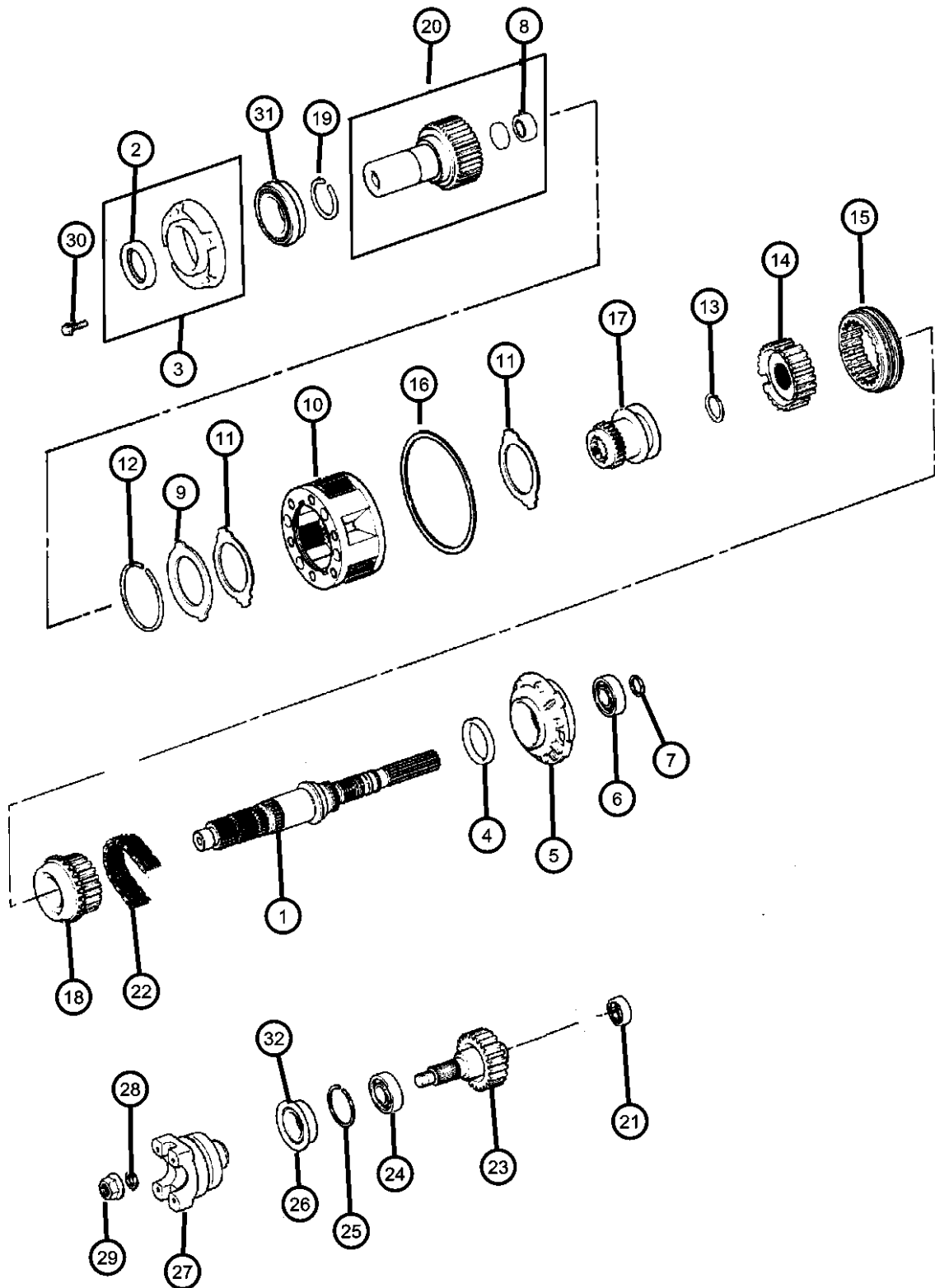
ENGINE
ENC = ENGINE - 2.5L 4 CYL TURBO DIESEL
EPE = ENGINE - 2.5L POWER TECH I-4 Cyl.
ERH = ENGINE - 4.0L POWER TECH I-6

TRANSMISSION
DDD = TRANSMISSION - 5-SPEED HD MANUAL
DDQ = TRANSMISSION - 5-SPEED MANUAL
DGD = TRANSMISSION - 3-SPD. AUTOMATIC,30RH
DGK = TRANSMISSION - 4-SPD. AUTOMATIC,42RE
DGS = TRANSMISSION-4SPD. AUTO,AISIN WARNER
DGT = TRANSMISSION - 4-SPD. AUTOMATIC,46RE
DGW = TRANSMISSION - 4-SPD. AUTOMATIC,44RE
DGX = TRANSMISSION - 4-SPEED AUTOMATIC
DBB = ALL MANUAL TRANSMISSIONS
DGO = ALL AUTOMATIC TRANSMISSIONS

AR = use ase required - = Non illustrated part

2000 XJ

**Gear Train Command Trac (DHN)
Figure 231-410**



ITEM	PART NUMBER	QTY	LINE	SERIES	BODY	ENGINE	TRANS	TRIM	DESCRIPTION
10	04796903	1	J, U			EN0	DDQ		PLANETARY, Transfer Case
		1	J, U			ER0	DG0		
		1	J, U			EP0	DDQ		
		1	J, U			ER0	DDD		
11	04338908	2	J, U			EN0	DDQ		THRUST WASHER, Planetary Carrier
		2	J, U			ER0	DG0		
		2	J, U			EP0	DDQ		
		2	J, U			ER0	DDD		
12	04338910	1	J, U			EN0	DDQ		SNAP RING
		1	J, U			ER0	DG0		
		1	J, U			EP0	DDQ		
		1	J, U			ER0	DDD		
13	04338933	1	J, U			EN0	DDQ		SNAP RING
		1	J, U			ER0	DG0		
		1	J, U			EP0	DDQ		
		1	J, U			ER0	DDD		
14	04741240	1	J, U			EN0	DDQ		HUB, Synchronizer Mode
		1	J, U			ER0	DG0		
		1	J, U			EP0	DDQ		

CHEROKEE (XJ)

SERIES	LINE
H = Sport	T = JEEP - 2WD
L = SE	B = JEEP - 2WD (RHD)
P = Classic	J = JEEP - 4WD
S = Limited	U = JEEP - 4WD (RHD)

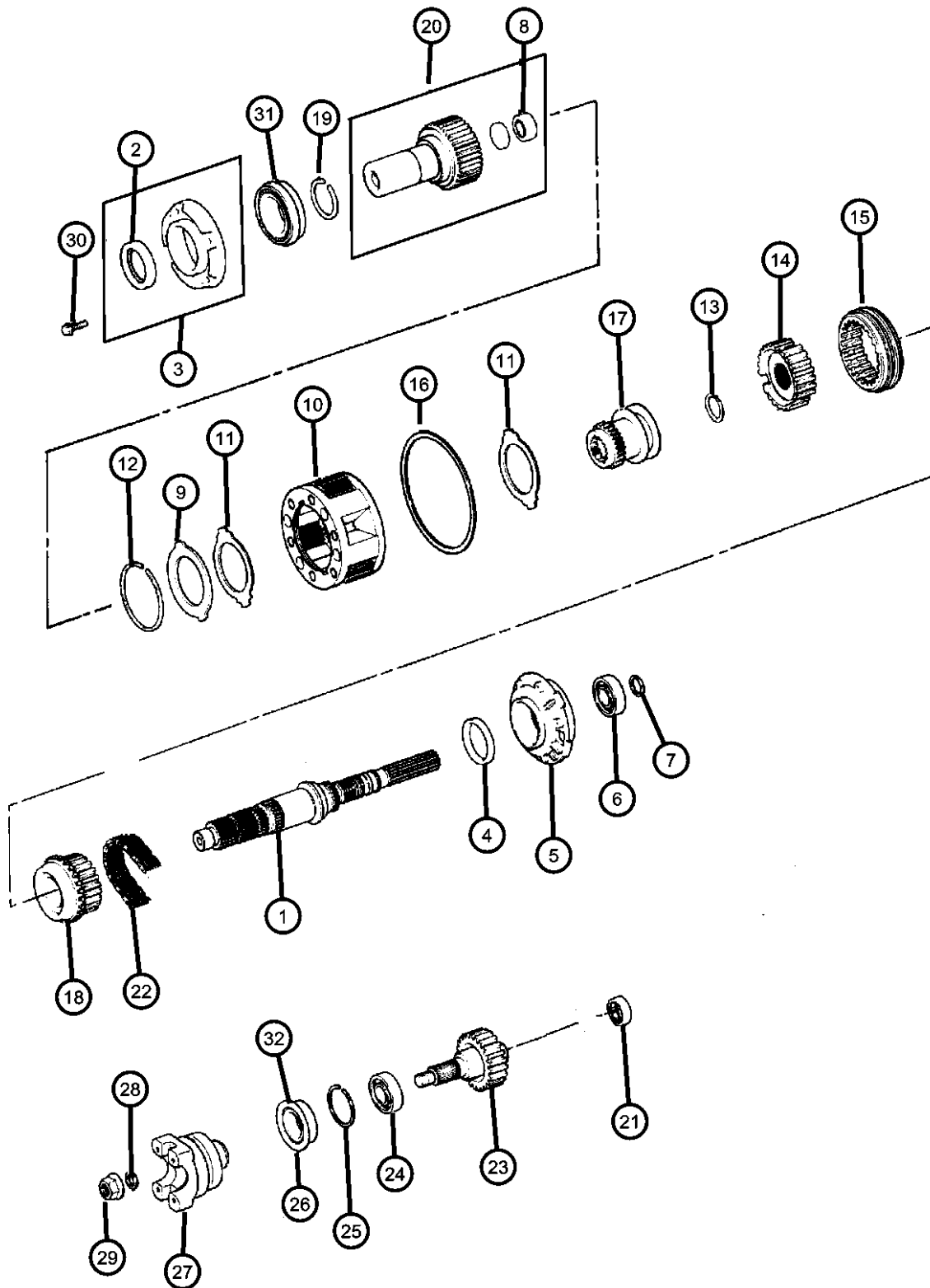
BODY
74 = 4 Dr (101.4WB)
72 = 2 Dr (101.4WB)

ENGINE
ENC = ENGINE - 2.5L 4 CYL TURBO DIESEL
EPE = ENGINE - 2.5L POWER TECH I-4 Cyl.
ERH = ENGINE - 4.0L POWER TECH I-6

TRANSMISSION
DDD = TRANSMISSION - 5-SPEED HD MANUAL
DDQ = TRANSMISSION - 5-SPEED MANUAL
DGD = TRANSMISSION - 3-SPD. AUTOMATIC,30RH
DGK = TRANSMISSION - 4-SPD. AUTOMATIC,42RE
DGS = TRANSMISSION-4SPD. AUTO,AISIN WARNER
DGT = TRANSMISSION - 4-SPD. AUTOMATIC,46RE
DGW = TRANSMISSION - 4-SPD. AUTOMATIC,44RE
DGX = TRANSMISSION - 4-SPEED AUTOMATIC
DBB = ALL MANUAL TRANSMISSIONS
DGO = ALL AUTOMATIC TRANSMISSIONS

AR = use ase required - = Non illustrated part

**Gear Train Command Trac (DHN)
Figure 231-410**



ITEM	PART NUMBER	QTY	LINE	SERIES	BODY	ENGINE	TRANS	TRIM	DESCRIPTION
15		1	J, U			ER0	DDD		SLEEVE, Mode Synchronizer
	04796909	1	J, U			EN0	DDQ		
		1	J, U			ER0	DG0		
		1	J, U			EP0	DDQ		
		1	J, U			ER0	DDD		
16		1	J, U			EN0	DDQ		SNAP RING, Annulus Gear
	04219065	1	J, U			ER0	DG0		
		1	J, U			EP0	DDQ		
		1	J, U			ER0	DDD		
17	04796906	1	J, U			EN0	DDQ		SLEEVE, Shift Range
18		1	J, U			EN0	DDQ		SPROCKET, Transfer Case
	04796908	1	J, U			ER0	DG0		
		1	J, U			EP0	DDQ		
		1	J, U			ER0	DDD		
19		1	J, U			EN0	DDQ		SNAP RING
	03821558	1	J, U			ER0	DG0		
		1	J, U			EP0	DDQ		
		1	J, U			ER0	DDD		
20		1	J, U			EN0	DDQ		GEAR, Input
	04796904	1	J, U			EP0	DDQ		
	04796956	1	J, U						

CHEROKEE (XJ)

SERIES	LINE
H = Sport	T = JEEP - 2WD
L = SE	B = JEEP - 2WD (RHD)
P = Classic	J = JEEP - 4WD
S = Limited	U = JEEP - 4WD (RHD)

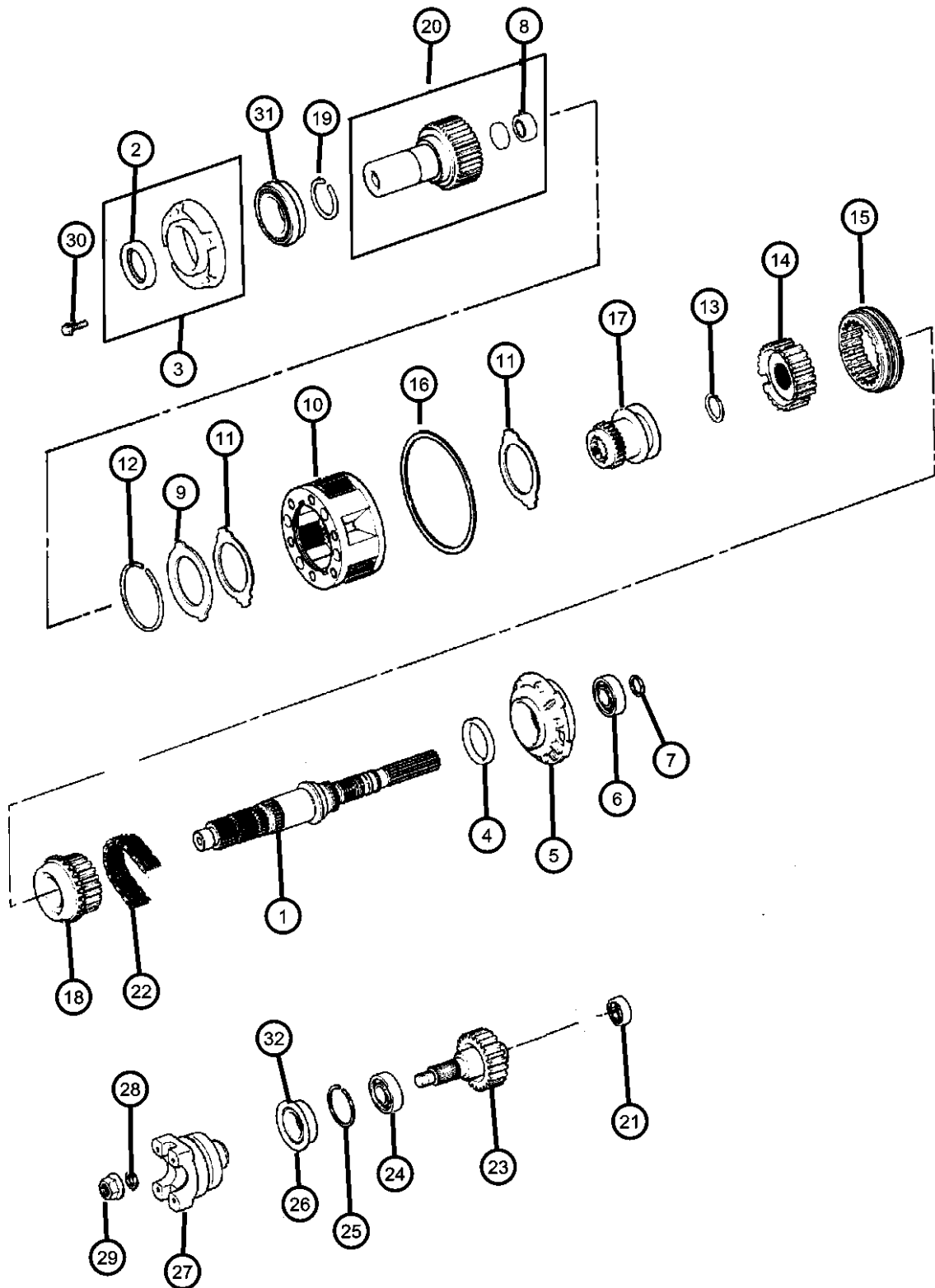
BODY
74 = 4 Dr (101.4WB)
72 = 2 Dr (101.4WB)

ENGINE
ENC = ENGINE - 2.5L 4 CYL TURBO DIESEL
EPE = ENGINE - 2.5L POWER TECH I-4 Cyl.
ERH = ENGINE - 4.0L POWER TECH I-6

TRANSMISSION
DDD = TRANSMISSION - 5-SPEED HD MANUAL
DDQ = TRANSMISSION - 5-SPEED MANUAL
DGD = TRANSMISSION - 3-SPD. AUTOMATIC,30RH
DGK = TRANSMISSION - 4-SPD. AUTOMATIC,42RE
DGS = TRANSMISSION-4SPD. AUTO,AISIN WARNER
DGT = TRANSMISSION - 4-SPD. AUTOMATIC,46RE
DGW = TRANSMISSION - 4-SPD. AUTOMATIC,44RE
DGX = TRANSMISSION - 4-SPEED AUTOMATIC
DBB = ALL MANUAL TRANSMISSIONS
DGO = ALL AUTOMATIC TRANSMISSIONS

AR = use ase required - = Non illustrated part

**Gear Train Command Trac (DHN)
Figure 231-410**



ITEM	PART NUMBER	QTY	LINE	SERIES	BODY	ENGINE	TRANS	TRIM	DESCRIPTION
21	04798113	1	J, U			ER0	DG0		BEARING, Output Shaft
		1	J, U			ER0	DDD		
	04269189	1	J, U			EN0	DDQ		
		1	J, U			ER0	DG0		
		1	J, U			EP0	DDQ		
22		1	J, U			ER0	DDD		CHAIN, Transfer Case
	04338935	1	J, U			EN0	DDQ		
		1	J, U			ER0	DG0		
		1	J, U			EP0	DDQ		
		1	J, U			ER0	DDD		
23		1	J, U			EN0	DDQ		OUTPUT SHAFT, Transfer Case
	04338934	1	J, U			ER0	DG0		
		1	J, U			EP0	DDQ		
		1	J, U			ER0	DDD		
		1	J, U			ER0	DDD		
24		1	J, U			ER0	DG0		BEARING
	04338892	1	J, U			EP0	DDQ		
		1	J, U			ER0	DDD		
25		1	J, U			EN0	DDQ		SNAP RING, Bearing
	04338894	1	J, U			ER0	DG0		
		1	J, U			EP0	DDQ		

CHEROKEE (XJ)

SERIES	LINE
H = Sport	T = JEEP - 2WD
L = SE	B = JEEP - 2WD (RHD)
P = Classic	J = JEEP - 4WD
S = Limited	U = JEEP - 4WD (RHD)

BODY
74 = 4 Dr (101.4WB)
72 = 2 Dr (101.4WB)

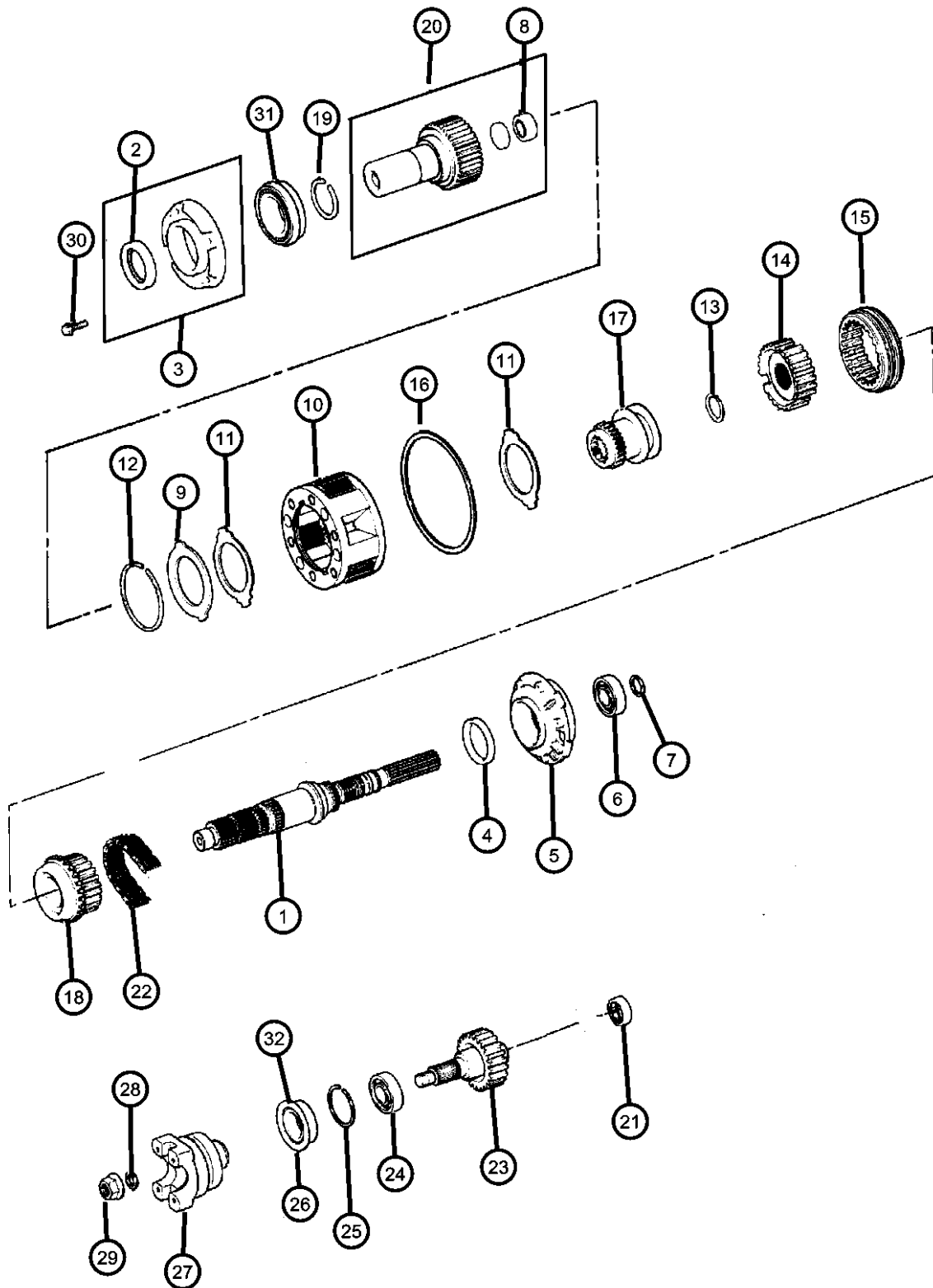
ENGINE
ENC = ENGINE - 2.5L 4 CYL TURBO DIESEL
EPE = ENGINE - 2.5L POWER TECH I-4 Cyl.
ERH = ENGINE - 4.0L POWER TECH I-6

TRANSMISSION
DDD = TRANSMISSION - 5-SPEED HD MANUAL
DDQ = TRANSMISSION - 5-SPEED MANUAL
DGD = TRANSMISSION - 3-SPD. AUTOMATIC,30RH
DGK = TRANSMISSION - 4-SPD. AUTOMATIC,42RE
DGS = TRANSMISSION-4SPD. AUTO,AISIN WARNER
DGT = TRANSMISSION - 4-SPD. AUTOMATIC,46RE
DGW = TRANSMISSION - 4-SPD. AUTOMATIC,44RE
DGX = TRANSMISSION - 4-SPEED AUTOMATIC
DBB = ALL MANUAL TRANSMISSIONS
DGO = ALL AUTOMATIC TRANSMISSIONS

AR = use ase required - = Non illustrated part

2000 XJ

**Gear Train Command Trac (DHN)
Figure 231-410**



ITEM	PART NUMBER	QTY	LINE	SERIES	BODY	ENGINE	TRANS	TRIM	DESCRIPTION
26	04338893	1	J, U			ER0	DDD		SEAL, Output
27	04446494	1	J, U			EN0	DDQ		YOKE, Transfer Case Output
	04798120	1	J, U			ER0	DG0		
		1	J, U			EP0	DDQ		
		1	J, U			ER0	DDD		
28	04446487	1	J, U			EN0	DD0		WASHER, Flat
		1	J, U			EP0	DDQ		
		1	J, U			ER0	DDD		
29	04446488	1	J, U			EN0	DDQ		NUT, Hex Flange
		1	J, U			ER0	DG0		
		1	J, U			EP0	DDQ		
		1	J, U			ER0	DDD		
30	06500318	9	J, U			EN0	DDQ		BOLT
		9	J, U			EP0	DDQ		
		9	J, U			ER0	DG0		
		9	J, U			ER0	DDD		
31	04746155	1	J, U			EN0	DDQ		BEARING, Input Gear
		1	J, U			ER0	DG0		
		1	J, U			EP0	DDQ		

CHEROKEE (XJ)

SERIES LINE
H = Sport T = JEEP - 2WD
L = SE B = JEEP - 2WD (RHD)
P = Classic J = JEEP - 4WD
S = Limited U = JEEP - 4WD (RHD)

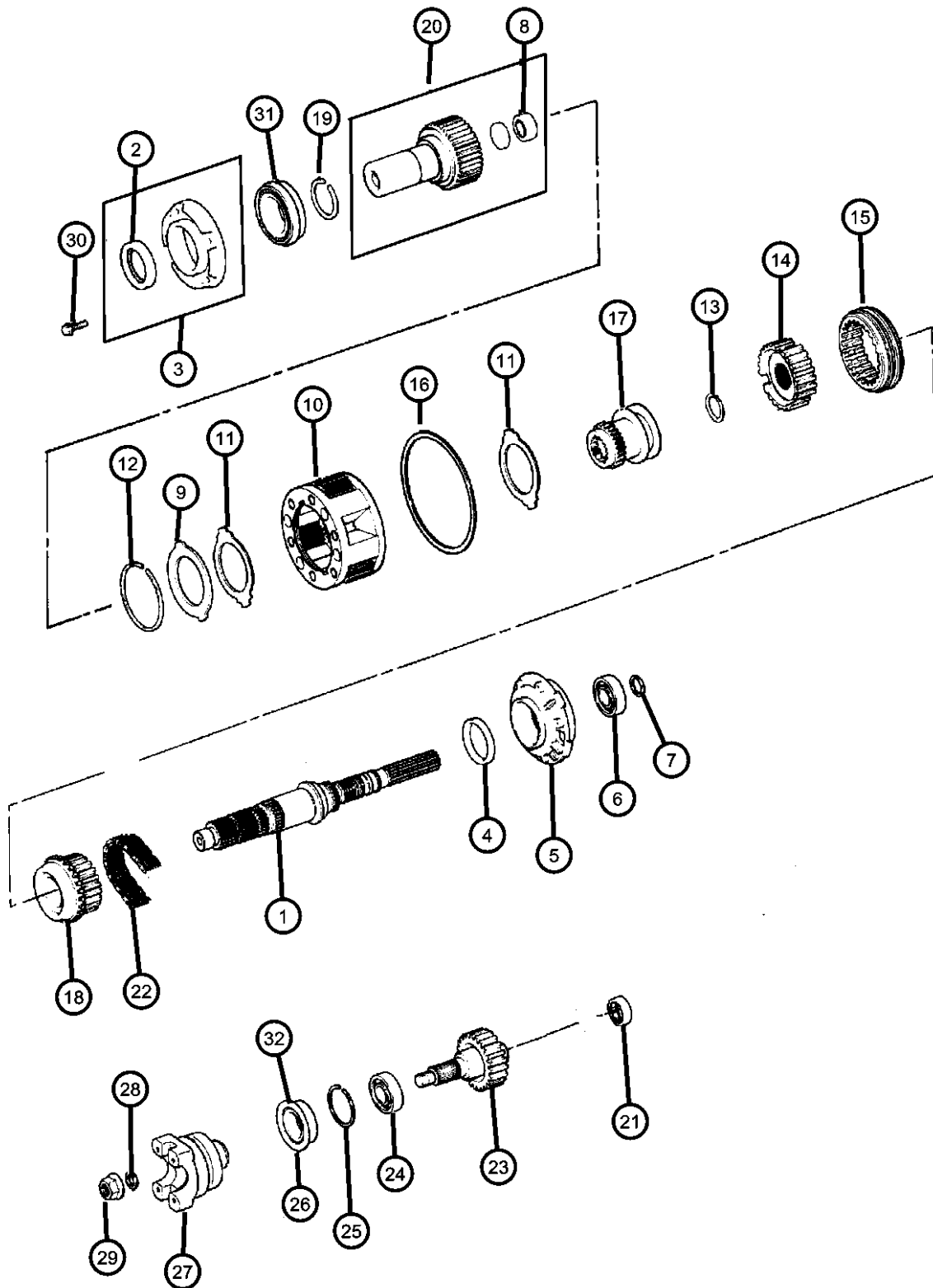
BODY
74 = 4 Dr (101.4WB)
72 = 2 Dr (101.4WB)

ENGINE
ENC = ENGINE - 2.5L 4 CYL TURBO DIESEL
EPE = ENGINE - 2.5L POWER TECH I-4 Cyl.
ERH = ENGINE - 4.0L POWER TECH I-6

TRANSMISSION
DDD = TRANSMISSION - 5-SPEED HD MANUAL
DDQ = TRANSMISSION - 5-SPEED MANUAL
DGD = TRANSMISSION - 3-SPD. AUTOMATIC,30RH
DGK = TRANSMISSION - 4-SPD. AUTOMATIC,42RE
DGS = TRANSMISSION-4SPD. AUTO,AISIN WARNER
DGT = TRANSMISSION - 4-SPD. AUTOMATIC,46RE
DGW = TRANSMISSION - 4-SPD. AUTOMATIC,44RE
DGX = TRANSMISSION - 4-SPEED AUTOMATIC
DBB = ALL MANUAL TRANSMISSIONS
DGO = ALL AUTOMATIC TRANSMISSIONS

AR = use ase required - = Non illustrated part

**Gear Train Command Trac (DHN)
Figure 231-410**



ITEM	PART NUMBER	QTY	LINE	SERIES	BODY	ENGINE	TRANS	TRIM	DESCRIPTION
		1	J, U			ER0	DDD		
32	04798112	1	J, U			ER0	DG0		SEAL
		1	J, U			EP0	DDQ		
		1	J, U			ER0	DDD		

CHEROKEE (XJ)

SERIES	LINE
H = Sport	T = JEEP - 2WD
L = SE	B = JEEP - 2WD (RHD)
P = Classic	J = JEEP - 4WD
S = Limited	U = JEEP - 4WD (RHD)

BODY
74 = 4 Dr (101.4WB)
72 = 2 Dr (101.4WB)

ENGINE	TRANSMISSION
ENC = ENGINE - 2.5L 4 CYL TURBO DIESEL	DDD = TRANSMISSION - 5-SPEED HD MANUAL
EPE = ENGINE - 2.5L POWER TECH I-4 Cyl.	DDQ = TRANSMISSION - 5-SPEED MANUAL
ERH = ENGINE - 4.0L POWER TECH I-6	DGD = TRANSMISSION - 3-SPD. AUTOMATIC,30RH
	DGK = TRANSMISSION - 4-SPD. AUTOMATIC,42RE
	DGS = TRANSMISSION-4SPD. AUTO,AISIN WARNER
	DGT = TRANSMISSION - 4-SPD. AUTOMATIC,46RE
	DGW = TRANSMISSION - 4-SPD. AUTOMATIC,44RE
	DGX = TRANSMISSION - 4-SPEED AUTOMATIC
	DBB = ALL MANUAL TRANSMISSIONS
	DGO = ALL AUTOMATIC TRANSMISSIONS

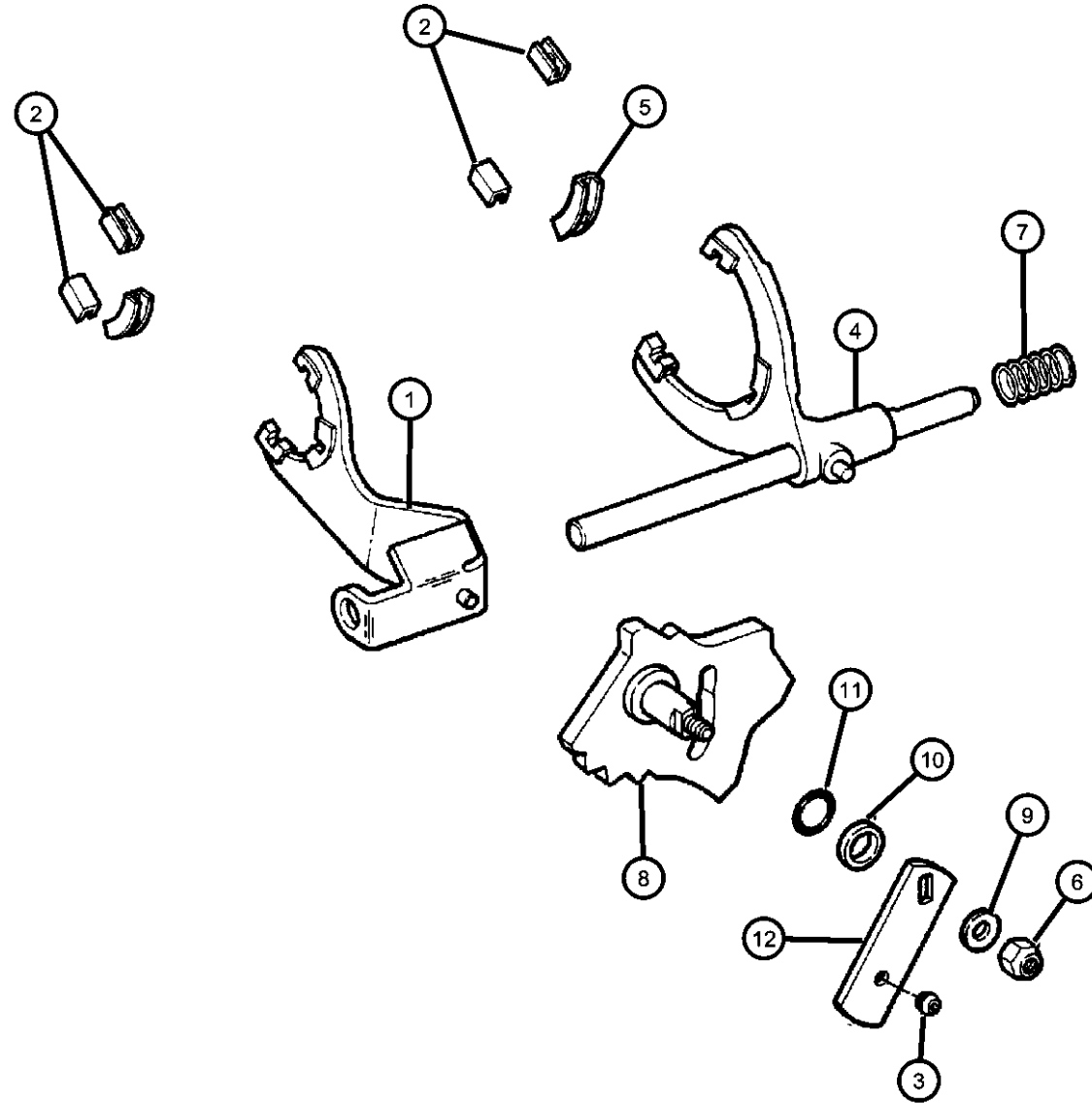
AR = use ase required - = Non illustrated part

Fork and Rails Command Trac (DHN)
Figure 231-910

ITEM	PART NUMBER	QTY	LINE	SERIES	BODY	ENGINE	TRANS	TRIM	DESCRIPTION
------	-------------	-----	------	--------	------	--------	-------	------	-------------

Notes:

EPO= All 2.5L, 4 Cylinder, Gas Engine
 ER0= All 4.0L., 6 Cylinder, Gas Engine
 EN0= All 4/5 Cylinder, Turbo Diesel Engine
 DD0 = All 5 Speed Manual Transmissions
 DDD = 5 Speed Heavy Duty Manual Transmission
 DDQ = 5 Speed Manual Transmission
 DG0 = All Automatic Transmissions



1	04638913	1	J, U			ER0	DG0		FORK, Range
		1	J, U			EPO	DDQ		
2	04167969	2	J, U			EN0	DDQ		PAD, Shift Fork
		2	J, U			ER0	DG0		
		2	J, U			EPO	DDQ		
		2	J, U			ER0	DDD		
3	53004810	1	J, U			EN0	DDQ		BUSHING, Shift Lever
		1	J, U			EPO	DDQ		
		1	J, U			ER0	DG0		
		1	J, U			ER0	DDD		
4	04741237	1	J, U			EN0	DDQ		FORK, Transfer Case Mode Shift
		1	J, U			ER0	DG0		
		1	J, U			EPO	DDQ		
		1	J, U			ER0	DDD		
5									PAD, Shift Fork

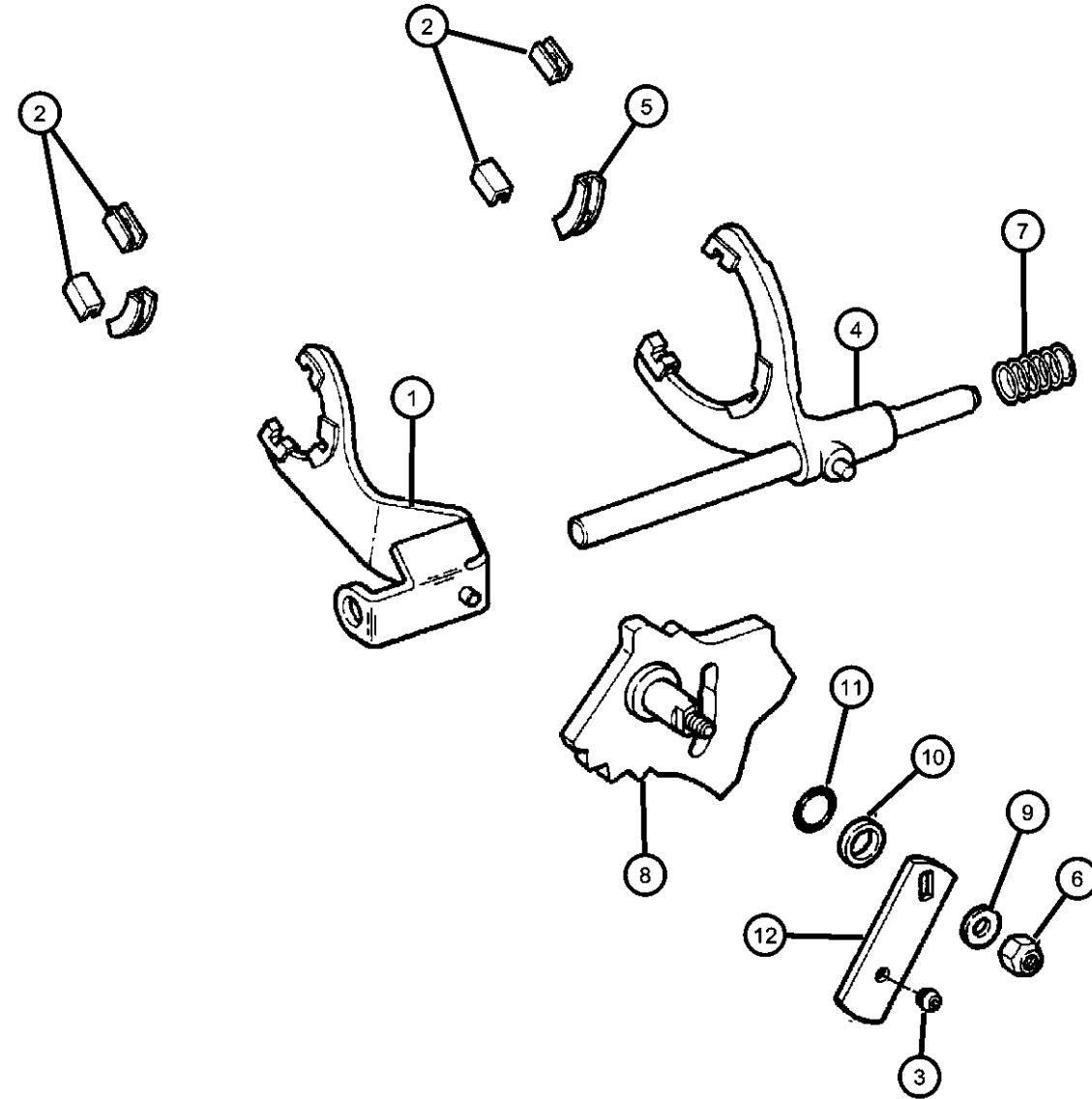
CHEROKEE (XJ)

SERIES	LINE	BODY	ENGINE	TRANSMISSION
H = Sport	T = JEEP - 2WD	74 = 4 Dr (101.4WB)	ENC = ENGINE - 2.5L 4 CYL TURBO DIESEL	DDD = TRANSMISSION - 5-SPEED HD MANUAL
L = SE	B = JEEP - 2WD (RHD)	72 = 2 Dr (101.4WB)	EPE = ENGINE - 2.5L POWER TECH I-4 Cyl.	DDQ = TRANSMISSION - 5-SPEED MANUAL
P = Classic	J = JEEP - 4WD		ERH = ENGINE - 4.0L POWER TECH I-6	DGD = TRANSMISSION - 3-SPD. AUTOMATIC,30RH
S = Limited	U = JEEP - 4WD (RHD)			DGK = TRANSMISSION - 4-SPD. AUTOMATIC,42RE
				DGS = TRANSMISSION-4SPD. AUTO,AISIN WARNER
				DGT = TRANSMISSION - 4-SPD. AUTOMATIC,46RE
				DGW = TRANSMISSION - 4-SPD. AUTOMATIC,44RE
				DGX = TRANSMISSION - 4-SPEED AUTOMATIC
				DBB = ALL MANUAL TRANSMISSIONS
				DGO = ALL AUTOMATIC TRANSMISSIONS

AR = use ase required - = Non illustrated part

2000 XJ

Fork and Rails Command Trac (DHN)
Figure 231-910



ITEM	PART NUMBER	QTY	LINE	SERIES	BODY	ENGINE	TRANS	TRIM	DESCRIPTION
	04219073	1	J, U			EN0	DDQ		52098913
		1	J, U			ER0	DG0		
		1	J, U			EP0	DDQ		
		1	J, U			ER0	DDD		
6									NUT, Hex Flange Lock
	00152345	1	J, U			EN0	DDQ		
		1	J, U			EP0	DDQ		
		1	J, U			ER0	DG0		
		1	J, U			ER0	DDD		
7									SPRING, Mode Shift Rail
	04338925	1	J, U			EN0	DDQ		
		1	J, U			ER0	DG0		
		1	J, U			EP0	DDQ		
		1	J, U			ER0	DDD		
8									SECTOR, Transfer Case
	04638845	1	J, U			EN0	DDQ		
		1	J, U			ER0	DG0		
		1	J, U			EP0	DDQ		
		1	J, U			ER0	DDD		
9									WASHER, Flat
	S2436163	1	J, U			ER0			
		1	J, U			EP0	DDQ		
		1	J, U			EN0	DDQ		
10									RETAINER, Rear Clutch
	04167964	1	J, U			EN0	DDQ		52098913

CHEROKEE (XJ)

SERIES

H = Sport
L = SE
P = Classic
S = Limited

LINE

T = JEEP - 2WD
B = JEEP - 2WD (RHD)
J = JEEP - 4WD
U = JEEP - 4WD (RHD)

BODY

74 = 4 Dr (101.4WB)
72 = 2 Dr (101.4WB)

ENGINE

ENC = ENGINE - 2.5L 4 CYL
TURBO DIESEL
EPE = ENGINE - 2.5L POWER
TECH I-4 Cyl.
ERH = ENGINE - 4.0L
POWER TECH I-6

TRANSMISSION

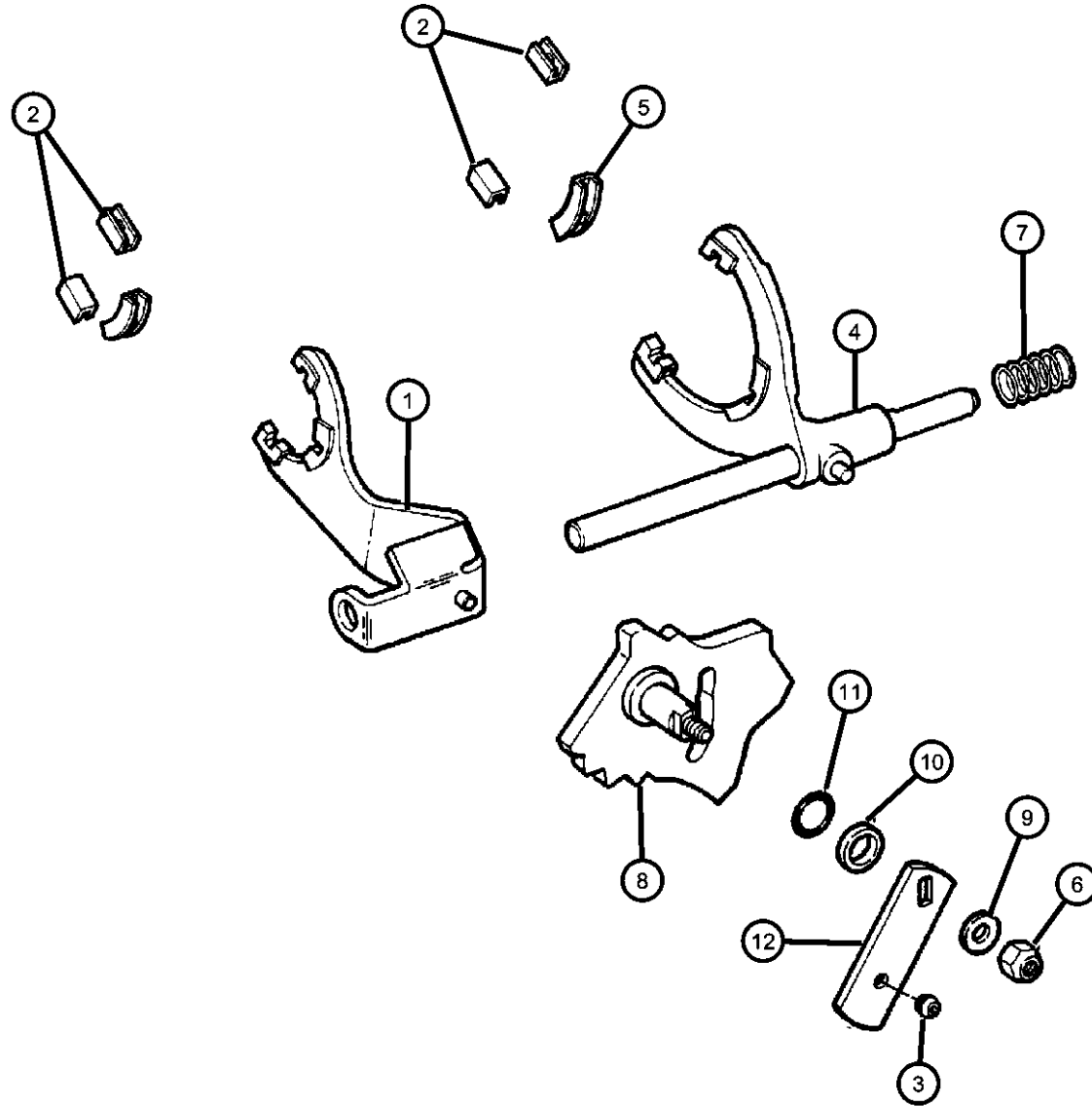
DDD = TRANSMISSION - 5-SPEED
HD MANUAL
DDQ = TRANSMISSION - 5-SPEED
MANUAL
DGD = TRANSMISSION - 3-SPD.
AUTOMATIC,30RH
DGK = TRANSMISSION - 4-SPD.
AUTOMATIC,42RE
DGS = TRANSMISSION-4SPD.
AUTO,AISIN WARNER
DGT = TRANSMISSION - 4-SPD.
AUTOMATIC,46RE
DGW = TRANSMISSION - 4-SPD.
AUTOMATIC,44RE
DGX = TRANSMISSION - 4-SPEED
AUTOMATIC
DBB = ALL MANUAL
TRANSMISSIONS
DGO = ALL AUTOMATIC
TRANSMISSIONS

AR = use ase required - = Non illustrated part

2000 XJ

Fork and Rails Command Trac (DHN)
Figure 231-910

ITEM	PART NUMBER	QTY	LINE	SERIES	BODY	ENGINE	TRANS	TRIM	DESCRIPTION
		1	J, U			ER0	DG0		
		1	J, U			EP0	DDQ		
		1	J, U			ER0	DDD		
11	04167963	1	J, U			EN0	DDQ		SEAL, O-Ring
		1	J, U			ER0	DG0		
		1	J, U			EP0	DDQ		
		1	J, U			ER0	DDD		
12	04897185AA	1	J, U			EN0	DDQ		LEVER, Selector 52098913
		1	J, U			ER0	DG0		
		1	J, U			ER0	DDD		
		1	J, U			EP0	DDQ		



CHEROKEE (XJ)

SERIES LINE
H = Sport T = JEEP - 2WD
L = SE B = JEEP - 2WD (RHD)
P = Classic J = JEEP - 4WD
S = Limited U = JEEP - 4WD (RHD)

BODY
74 = 4 Dr (101.4WB)
72 = 2 Dr (101.4WB)

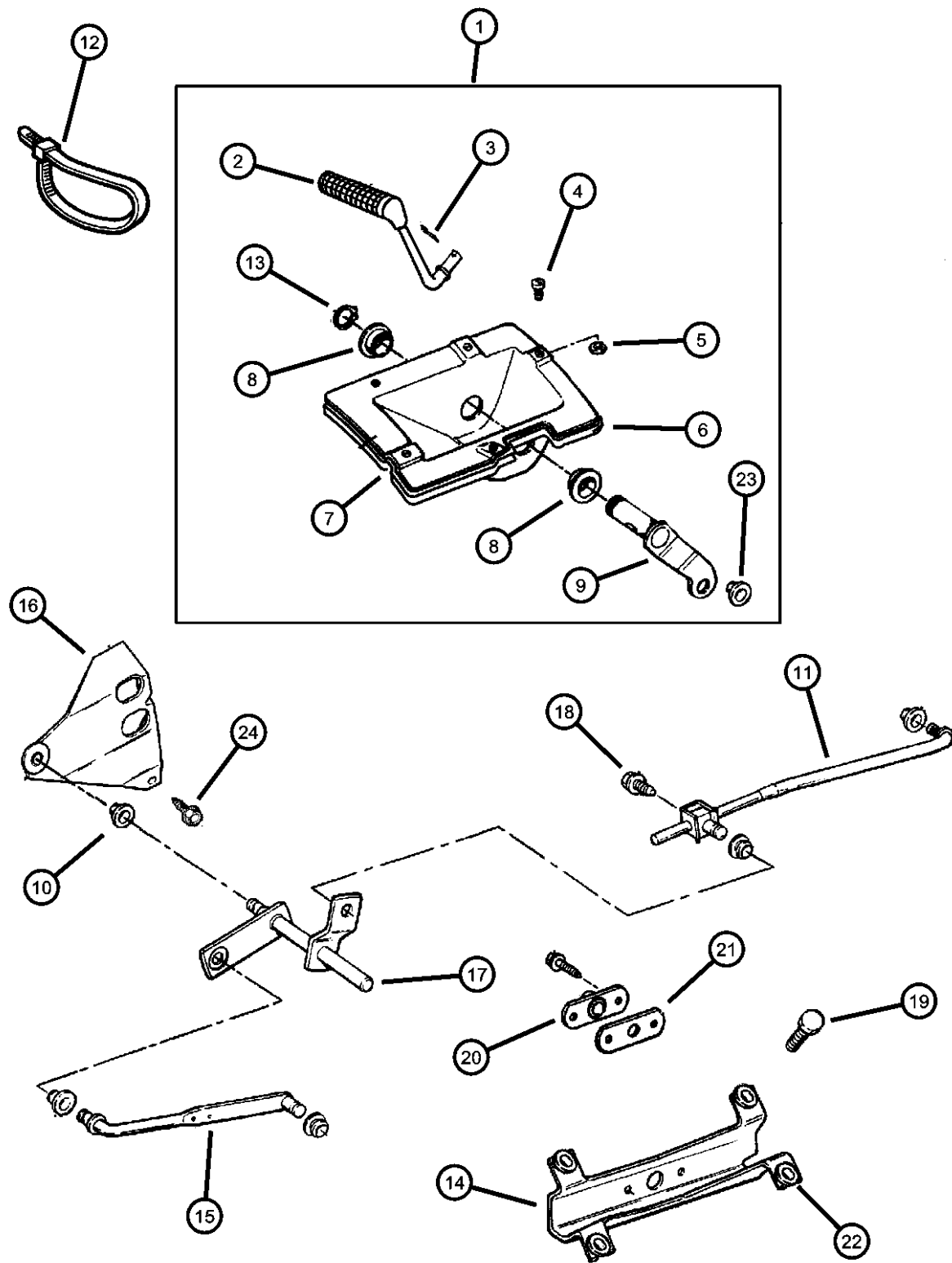
ENGINE
ENC = ENGINE - 2.5L 4 CYL TURBO DIESEL
EPE = ENGINE - 2.5L POWER TECH I-4 Cyl.
ERH = ENGINE - 4.0L POWER TECH I-6

TRANSMISSION
DDD = TRANSMISSION - 5-SPEED HD MANUAL
DDQ = TRANSMISSION - 5-SPEED MANUAL
DGD = TRANSMISSION - 3-SPD. AUTOMATIC,30RH
DGK = TRANSMISSION - 4-SPD. AUTOMATIC,42RE
DGS = TRANSMISSION-4SPD. AUTO,AISIN WARNER
DGT = TRANSMISSION - 4-SPD. AUTOMATIC,46RE
DGW = TRANSMISSION - 4-SPD. AUTOMATIC,44RE
DGX = TRANSMISSION - 4-SPEED AUTOMATIC
DBB = ALL MANUAL TRANSMISSIONS
DGO = ALL AUTOMATIC TRANSMISSIONS

AR = use ase required - = Non illustrated part

2000 XJ

**Gearshift Controls Command Trac (DHN)
Figure 231-1220**



ITEM	PART NUMBER	QTY	LINE	SERIES	BODY	ENGINE	TRANS	TRIM	DESCRIPTION
------	-------------	-----	------	--------	------	--------	-------	------	-------------

Notes:

EPO= All 2.5L, 4 Cylinder, Gas Engine
 ER0= All 4.0L., 6 Cylinder, Gas Engine
 ENC= 2.5L 4 Cylinder Turbo Diesel Engine
 DD0 = All 5 Speed Manual Transmissions
 DDD = 5 Speed Heavy Duty Manual Transmission
 DDQ = 5 Speed Manual Transmission
 DGO = All Automatic Transmissions

1									SHIFTER, Transfer Case
	52104100AC	1	J						
	52104101AC	1	U						
2									LEVER, Transfer Case Shifter
	52079256	1	U						
		1	J						
3									PIN, Cotter
	J4006723	1	U						
		1	J						
4									FASTENER, Push On
	52077671	1	U						
		1	J						
5									NUT, Push, M5
	06100839	2	U						
		2	J						
6									BOOT, Transfer Case Lever
	52104019	1	U						
		1	J						
7									HOUSING, Shift Lever

CHEROKEE (XJ)

SERIES	LINE
H = Sport	T = JEEP - 2WD
L = SE	B = JEEP - 2WD (RHD)
P = Classic	J = JEEP - 4WD
S = Limited	U = JEEP - 4WD (RHD)

BODY
74 = 4 Dr (101.4WB)
72 = 2 Dr (101.4WB)

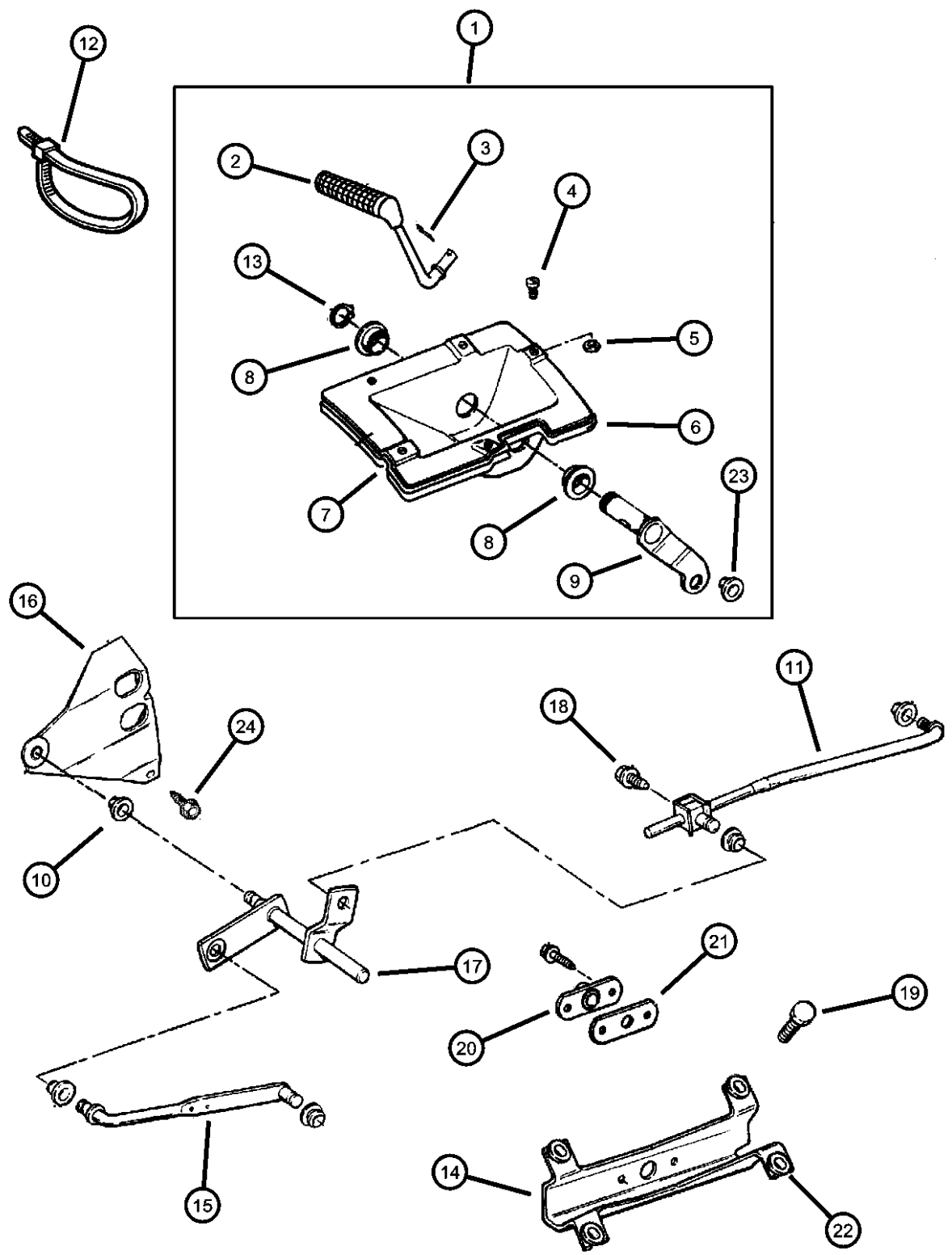
ENGINE
ENC = ENGINE - 2.5L 4 CYL TURBO DIESEL
EPE = ENGINE - 2.5L POWER TECH I-4 Cyl.
ERH = ENGINE - 4.0L POWER TECH I-6

TRANSMISSION
DDD = TRANSMISSION - 5-SPEED HD MANUAL
DDQ = TRANSMISSION - 5-SPEED MANUAL
DGD = TRANSMISSION - 3-SPD. AUTOMATIC,30RH
DGK = TRANSMISSION - 4-SPD. AUTOMATIC,42RE
DGS = TRANSMISSION-4SPD. AUTO,AISIN WARNER
DGT = TRANSMISSION - 4-SPD. AUTOMATIC,46RE
DGW = TRANSMISSION - 4-SPD. AUTOMATIC,44RE
DGX = TRANSMISSION - 4-SPEED AUTOMATIC
DBB = ALL MANUAL TRANSMISSIONS
DGO = ALL AUTOMATIC TRANSMISSIONS

AR = use ase required - = Non illustrated part

2000 XJ

**Gearshift Controls Command Trac (DHN)
Figure 231-1220**



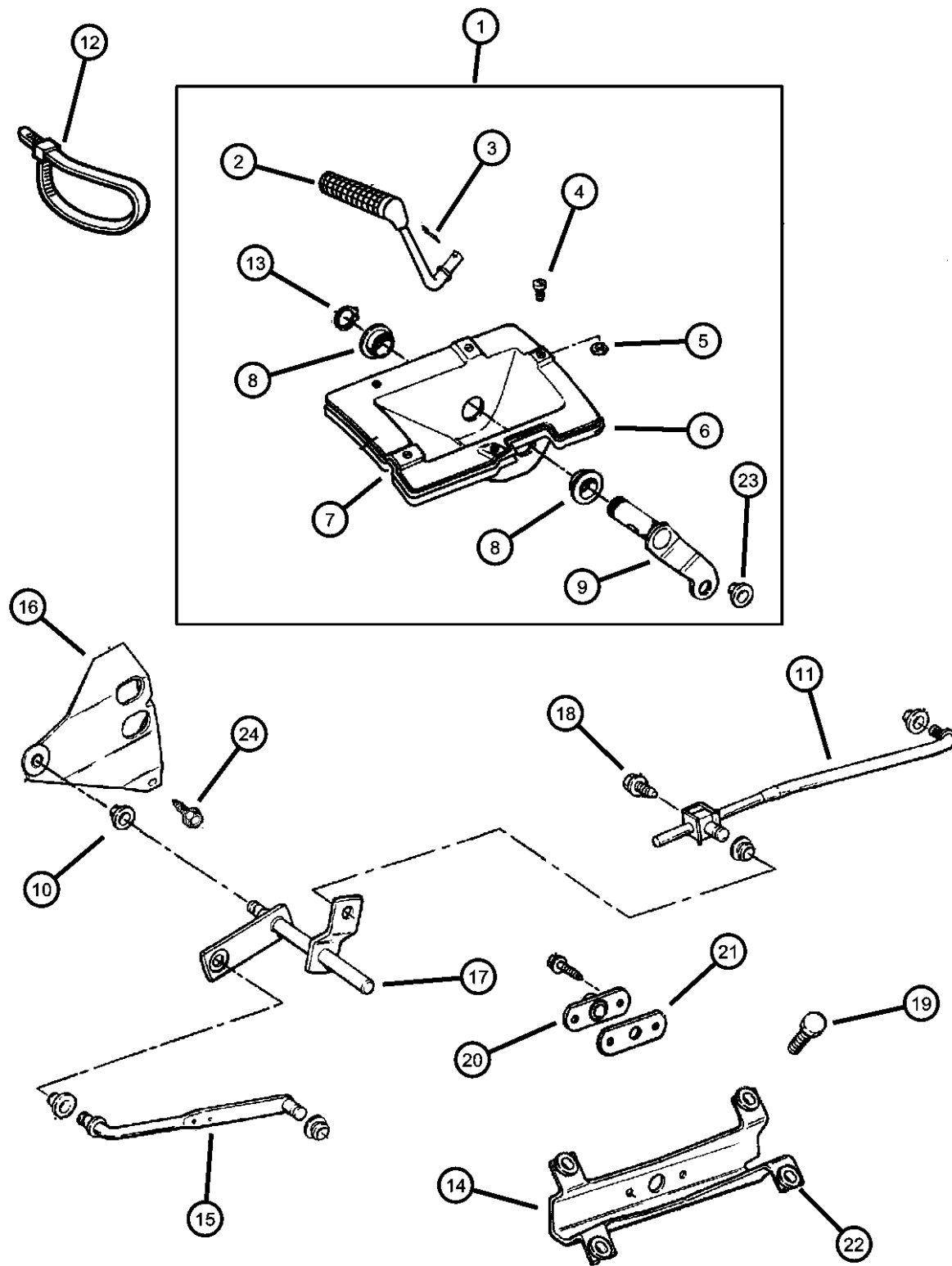
ITEM	PART NUMBER	QTY	LINE	SERIES	BODY	ENGINE	TRANS	TRIM	DESCRIPTION
	53001284	1	U						
		1	J						
8	53000639	2	U						BUSHING, Shift Control
		2	J						
9	53005150AC	1	U						LEVER, Transfer Case
		1	J						
10	53004810	1	J, U			ENC	DBB		BUSHING, Shift Lever
		1	J, U			ER0	DDQ		
		1	J, U			EP0			
11	52104073	1	J, U			EP0			ROD, Gear Shift Control, Transfer Case
		1	J, U			ER0	DG0		
12	J3693058	1	U						STRAP, Retaining
		1	J						
13	11505389	1	U						SNAP RING
		1	J						
14	52104017AB	1	J, U			EP0			BRACKET, Torque Shaft
		1	J, U			ER0	DG0		

CHEROKEE (XJ)

SERIES	LINE	BODY	ENGINE	TRANSMISSION
H = Sport	T = JEEP - 2WD	74 = 4 Dr (101.4WB)	ENC = ENGINE - 2.5L 4 CYL TURBO DIESEL	DDD = TRANSMISSION - 5-SPEED HD MANUAL
L = SE	B = JEEP - 2WD (RHD)	72 = 2 Dr (101.4WB)	EPE = ENGINE - 2.5L POWER TECH I-4 Cyl.	DDQ = TRANSMISSION - 5-SPEED MANUAL
P = Classic	J = JEEP - 4WD		ERH = ENGINE - 4.0L POWER TECH I-6	DGD = TRANSMISSION - 3-SPD. AUTOMATIC,30RH
S = Limited	U = JEEP - 4WD (RHD)			DGK = TRANSMISSION - 4-SPD. AUTOMATIC,42RE
				DGS = TRANSMISSION-4SPD. AUTO,AISIN WARNER
				DGT = TRANSMISSION - 4-SPD. AUTOMATIC,46RE
				DGW = TRANSMISSION - 4-SPD. AUTOMATIC,44RE
				DGX = TRANSMISSION - 4-SPEED AUTOMATIC
				DBB = ALL MANUAL TRANSMISSIONS
				DGO = ALL AUTOMATIC TRANSMISSIONS

AR = use ase required - = Non illustrated part

**Gearshift Controls Command Trac (DHN)
Figure 231-1220**



ITEM	PART NUMBER	QTY	LINE	SERIES	BODY	ENGINE	TRANS	TRIM	DESCRIPTION
15	52104018AB	1	J, U			ENC, ER0	DDQ		ROD, Gear Shift Control, Transfer Case
	53004941	1	J, U			EP0			
	53004942	1	J, U			ER0	DG0		
	53005448	1	J, U			ER0	DDQ		
16	52078605	1	J, U			ENC	DBB		BRACKET, Torque Shaft
	53005069	1	J, U			EP0			
	53005071AB	1	J, U			ER0	DG0		
17	52078541	1	J, U			ENC	DBB		TORQUE SHAFT, Transfer Case
	53005151	1	J, U			EP0			
	53005552	1	J, U			ER0	DBB		
18	J4006036	1	J, U						BOLT, Hex Head, .312-18x.50
19	06503811	4	J, U						BOLT, Hex Head, M6x1.00x20.00
20	52078134	1	J, U			ENC, ER0	DDQ		BEARING, Transfer Case Shift
		1	J, U			EP0			
		1	J, U			ER0	DG0		
21	53005154	1	J, U			ENC, ER0	DDQ		GASKET, Gearshift Control Rod
		1	J, U			EP0			
		1	J, U			ER0	DG0		
22									GROMMET

CHEROKEE (XJ)

SERIES LINE
H = Sport T = JEEP - 2WD
L = SE B = JEEP - 2WD (RHD)
P = Classic J = JEEP - 4WD
S = Limited U = JEEP - 4WD (RHD)

BODY
74 = 4 Dr (101.4WB)
72 = 2 Dr (101.4WB)

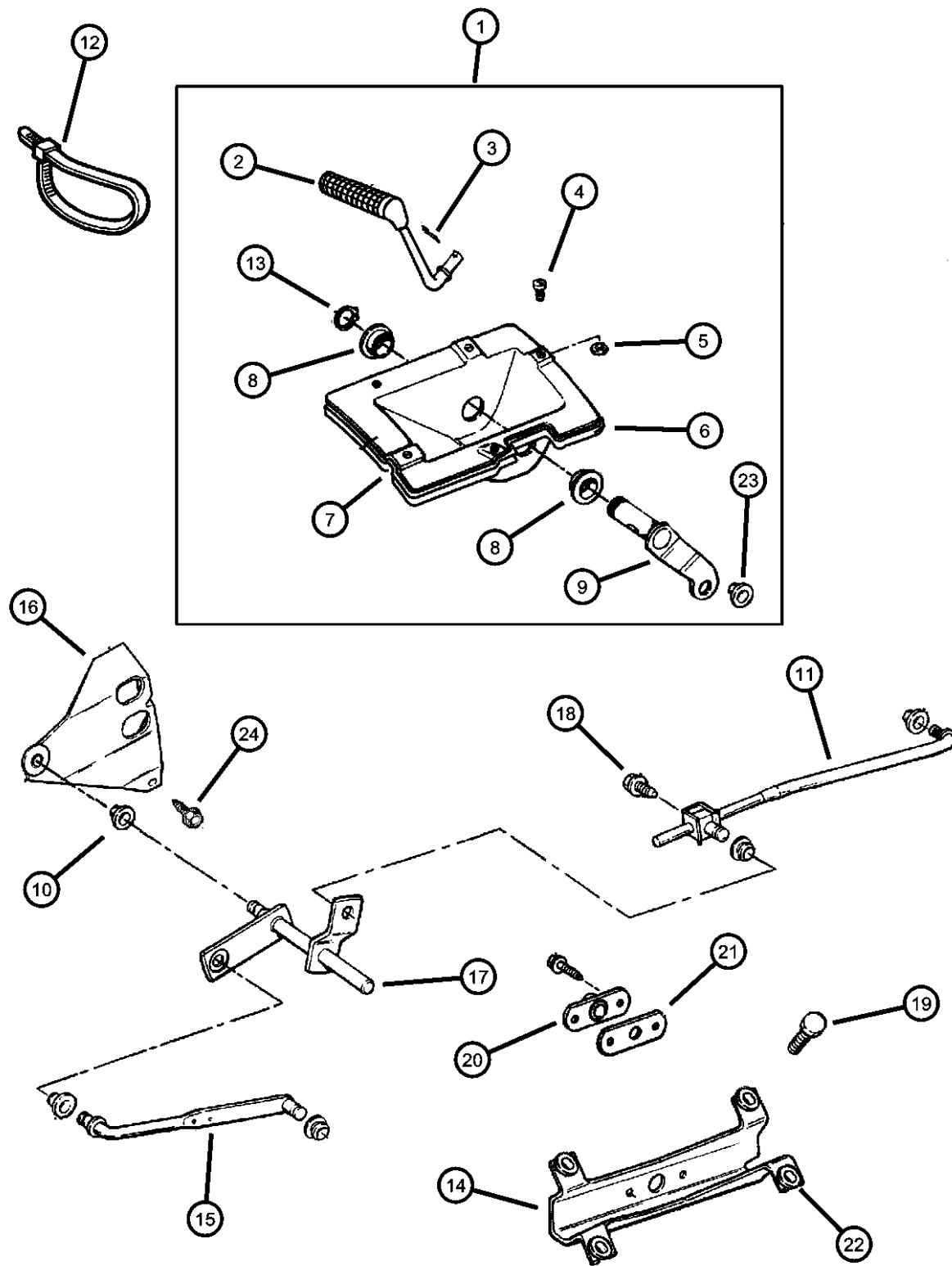
ENGINE
ENC = ENGINE - 2.5L 4 CYL
TURBO DIESEL
EPE = ENGINE - 2.5L POWER
TECH I-4 Cyl.
ERH = ENGINE - 4.0L
POWER TECH I-6

TRANSMISSION
DDD = TRANSMISSION - 5-SPEED
HD MANUAL
DDQ = TRANSMISSION - 5-SPEED
MANUAL
DGD = TRANSMISSION - 3-SPD.
AUTOMATIC,30RH
DGK = TRANSMISSION - 4-SPD.
AUTOMATIC,42RE
DGS = TRANSMISSION-4SPD.
AUTO,AISIN WARNER
DGT = TRANSMISSION - 4-SPD.
AUTOMATIC,46RE
DGW = TRANSMISSION - 4-SPD.
AUTOMATIC,44RE
DGX = TRANSMISSION - 4-SPEED
AUTOMATIC
DBB = ALL MANUAL
TRANSMISSIONS
DGO = ALL AUTOMATIC
TRANSMISSIONS

AR = use ase required - = Non illustrated part

2000 XJ

**Gearshift Controls Command Trac (DHN)
Figure 231-1220**



ITEM	PART NUMBER	QTY	LINE	SERIES	BODY	ENGINE	TRANS	TRIM	DESCRIPTION
	52104014	4	J, U			ENC, ER0	DDQ		
		4	J, U			EPO			
		4	J, U			ER0	DG0		
		4	J, U			ENC, ER0	DDD		
23	03575333	1	U						GROMMET, Control Rod Front
		1	J						
24	11504336	1	J, U			ER0	DG0		BOLT, Hex Head, M8x1.25x16

CHEROKEE (XJ)

SERIES	LINE
H = Sport	T = JEEP - 2WD
L = SE	B = JEEP - 2WD (RHD)
P = Classic	J = JEEP - 4WD
S = Limited	U = JEEP - 4WD (RHD)

BODY
74 = 4 Dr (101.4WB)
72 = 2 Dr (101.4WB)

ENGINE
ENC = ENGINE - 2.5L 4 CYL TURBO DIESEL
EPE = ENGINE - 2.5L POWER TECH I-4 Cyl.
ERH = ENGINE - 4.0L POWER TECH I-6

TRANSMISSION
DDD = TRANSMISSION - 5-SPEED HD MANUAL
DDQ = TRANSMISSION - 5-SPEED MANUAL
DGD = TRANSMISSION - 3-SPD. AUTOMATIC,30RH
DGK = TRANSMISSION - 4-SPD. AUTOMATIC,42RE
DGS = TRANSMISSION-4SPD. AUTO,AISIN WARNER
DGT = TRANSMISSION - 4-SPD. AUTOMATIC,46RE
DGW = TRANSMISSION - 4-SPD. AUTOMATIC,44RE
DGX = TRANSMISSION - 4-SPEED AUTOMATIC
DBB = ALL MANUAL TRANSMISSIONS
DGO = ALL AUTOMATIC TRANSMISSIONS

AR = use ase required - = Non illustrated part

2000 XJ

Group - 242

Transfer Case Model 242 [DHC, DHP]

Group - 242 Transfer Case Model 242 [DHC, DHP]

Illustration Title

Group-Fig. No.

Transfer Case Assembly

Transfer Case Select Trac (DHP) Fig. 242 - 110

Case and Related Parts

Case & Related Parts Select Trac (DHP) Fig. 242 - 210

Gear Train

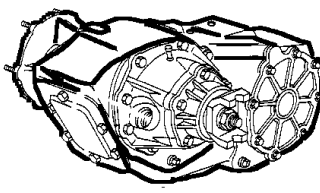
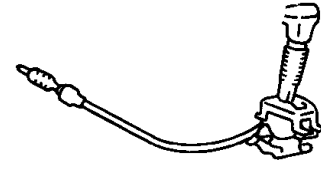
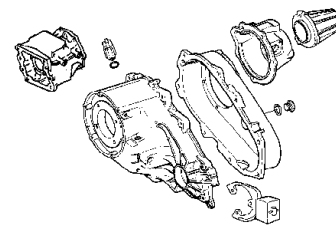
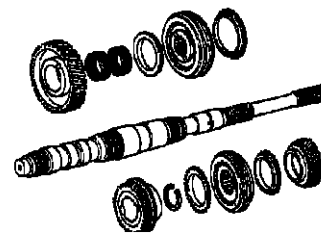
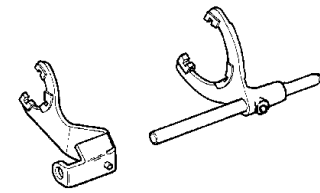
Gear Train Select Trac (DHP) Fig. 242 - 410

Fork and Rails

Fork and Rails Select Trac (DHP) Fig. 242 - 910

Gearshift Controls

Gearshift Controls Select Trac (DHP) Fig. 242 - 1210

<p>242-100 Transfer Case Assembly</p> 	<p>242-1200 Gearshift Controls</p> 	<p>242-200 Case and Related Parts</p> 	<p>242-400 Gear Train</p> 
<p>242-900 Fork and Rails</p> 			

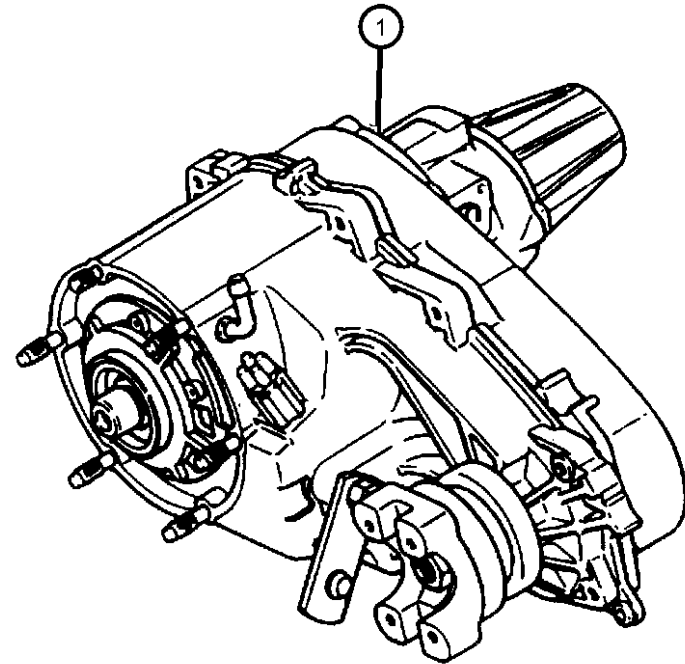
**Transfer Case Select Trac (DHP)
Figure 242-110**

ITEM	PART NUMBER	QTY	LINE	SERIES	BODY	ENGINE	TRANS	TRIM	DESCRIPTION
1									TRANSFER CASE, NP242
	52098899AC	1	J, U			ER0	DG0		Without police Group
	52111083AC	1	J, U			ER0	DG0		With Police Group

Notes:

ER0 = All 4.0L 6 Cylinder Gas Engine

DG0 = All Automatic Transmissions

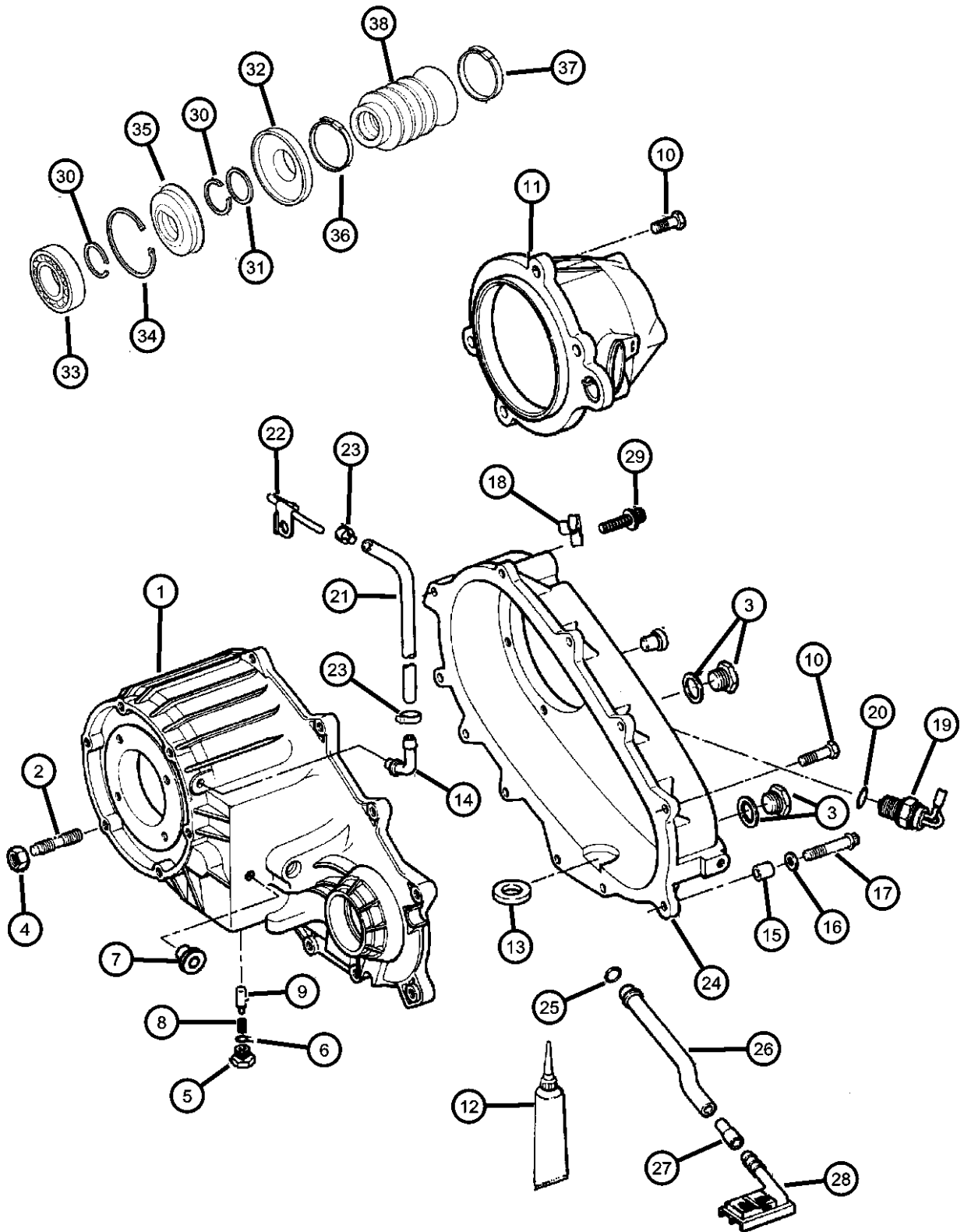


CHEROKEE (XJ)

SERIES	LINE	BODY	ENGINE	TRANSMISSION
H = Sport	T = JEEP - 2WD	74 = 4 Dr (101.4WB)	ENC = ENGINE - 2.5L 4 CYL TURBO DIESEL	DDD = TRANSMISSION - 5-SPEED HD MANUAL
L = SE	B = JEEP - 2WD (RHD)	72 = 2 Dr (101.4WB)	EPE = ENGINE - 2.5L POWER TECH I-4 Cyl.	DDQ = TRANSMISSION - 5-SPEED MANUAL
P = Classic	J = JEEP - 4WD		ERH = ENGINE - 4.0L POWER TECH I-6	DGD = TRANSMISSION - 3-SPD. AUTOMATIC,30RH
S = Limited	U = JEEP - 4WD (RHD)			DGK = TRANSMISSION - 4-SPD. AUTOMATIC,42RE
				DGS = TRANSMISSION-4SPD. AUTO,AISIN WARNER
				DGT = TRANSMISSION - 4-SPD. AUTOMATIC,46RE
				DGW = TRANSMISSION - 4-SPD. AUTOMATIC,44RE
				DGX = TRANSMISSION - 4-SPEED AUTOMATIC
				DBB = ALL MANUAL TRANSMISSIONS
				DGO = ALL AUTOMATIC TRANSMISSIONS

AR = use ase required - = Non illustrated part

Case & Related Parts Select Trac (DHP)
Figure 242-210



ITEM	PART NUMBER	QTY	LINE	SERIES	BODY	ENGINE	TRANS	TRIM	DESCRIPTION
------	-------------	-----	------	--------	------	--------	-------	------	-------------

Notes:

EPO= All 2.5L, 4 Cylinder, Gas Engine
ER0= All 4L., 6 Cylinder, Gas Engine
EN0= All 4/5 Cylinder, Turbo Diesel Engine
DDQ = 5 Speed Manual Transmission
DG0 = All Automatic Transmissions

1	04856389	1	J, U			ER0	DG0		CASE, Transfer Front
2	04505365	6	J, U			ER0	DG0		STUD
3	04856641	2	J, U			ER0	DG0		PLUG, Oil Fill
4									NUT AND CONED WASHER, Hex, .375-24
	J4006681	5	J, U			EPO	DD0		
		6	J, U			EN0, ER0			
5	04886473AA	1	J, U			ER0	DG0		SCREW
6	04338956	2	J, U			ER0	DG0		SEAL, Vacuum Switch
7	00015105	1	J, U			ER0	DG0		PLUG, Transmission Case
8	04638497	1	J, U			ER0	DG0		SPRING, Shift Detent
9	53008217	1	J, U			ER0	DG0		PLUNGER
10	04210617	15	J, U			ER0	DG0		BOLT, Transfer Case
11	04856391	1	J, U			ER0	DG0		RETAINER, Transfer Case Rear
12	05010884AA	1	J, U			EPO	DDQ		SEALANT, RTV
13	03681601	1	J, U			ER0	DG0		MAGNET, Transmission
14	04796910	1	J, U			ER0	DG0		VENT, Transfer Case
15	04116310	2	J, U			ER0	DG0		DOWEL, Transfer Case
16	83503512	1	J, U			ER0	DG0		WASHER, Flat
17	04210614	2	J, U			ER0	DG0		BOLT, Hex Flange Head
18	52118181	1	J, U			EN0	DDQ		CLIP

CHEROKEE (XJ)

SERIES LINE
H = Sport T = JEEP - 2WD
L = SE B = JEEP - 2WD (RHD)
P = Classic J = JEEP - 4WD
S = Limited U = JEEP - 4WD (RHD)

BODY
74 = 4 Dr (101.4WB)
72 = 2 Dr (101.4WB)

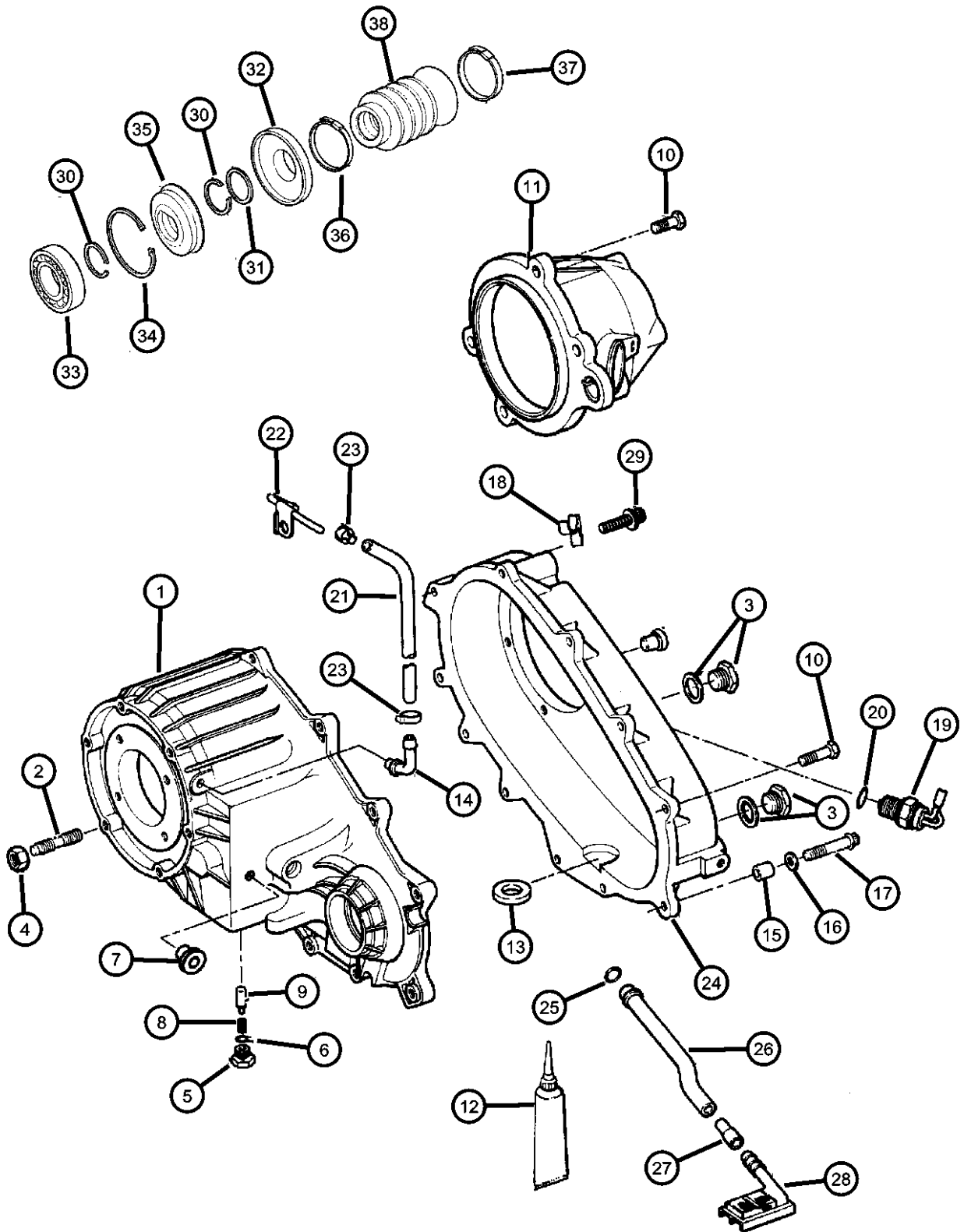
ENGINE
ENC = ENGINE - 2.5L 4 CYL
TURBO DIESEL
EPE = ENGINE - 2.5L POWER
TECH I-4 Cyl.
ERH = ENGINE - 4.0L
POWER TECH I-6

TRANSMISSION
DDD = TRANSMISSION - 5-SPEED
HD MANUAL
DDQ = TRANSMISSION - 5-SPEED
MANUAL
DGD = TRANSMISSION - 3-SPD.
AUTOMATIC,30RH
DGK = TRANSMISSION - 4-SPD.
AUTOMATIC,42RE
DGS = TRANSMISSION-4SPD.
AUTO,AISIN WARNER
DGT = TRANSMISSION - 4-SPD.
AUTOMATIC,46RE
DGW = TRANSMISSION - 4-SPD.
AUTOMATIC,44RE
DGX = TRANSMISSION - 4-SPEED
AUTOMATIC
DBB = ALL MANUAL
TRANSMISSIONS
DGO = ALL AUTOMATIC
TRANSMISSIONS

AR = use ase required - = Non illustrated part

2000 XJ

Case & Related Parts Select Trac (DHP)
Figure 242-210



ITEM	PART NUMBER	QTY	LINE	SERIES	BODY	ENGINE	TRANS	TRIM	DESCRIPTION
19	56006755	1	J, U			ER0	DG0		SWITCH, Transfer Case Mode
20	04338956	2	J, U			ER0	DG0		SEAL, Vacuum Switch
21	04443176	1	J, U						HOSE, Fuel, .31 I.D. 50 Foot Roll
22	53007494	1	J, U						VENT, Transfer Case
23	06502081	2	J, U						CLAMP, Oil Cooler Line
24	04886373AA	1	J, U			ER0	DG0		CASE, Transfer Case Rear
25	04338942	1	J, U			ER0	DG0		SEAL, Oil
26	83503523	1	J, U			ER0	DG0		TUBE, Oil Pickup
27	04338944	1	J, U			ER0	DG0		CONNECTOR, Oil Tube Pickup
28	04338943	1	J, U			ER0	DG0		FILTER, Transfer Case Oil
29	J8130979	1	J, U			ER0	DG0		BOLT, Twelve Point Head, M10x1.5x48
30	J8134488	1	J, U			ER0	DG0		SNAP RING
31	04798118	1	J, U			ER0	DG0		WASHER
32	05016615AA	1	J, U			ER0	DG0		SLINGER, Oil
33	04338892	1	J, U			ER0	DG0		BEARING
34	J8134488	1	J, U			ER0	DG0		SNAP RING
35	04798117	1	J, U			ER0			SEAL, Output Shaft
36	04798121	1	J, U			ER0	DG0		CLAMP, Boot
37	04798122	1	J, U			ER0	DG0		CLAMP, Boot
38	04798123	1	J, U			ER0	DG0		BOOT, Driveshaft

CHEROKEE (XJ)

SERIES LINE
H = Sport T = JEEP - 2WD
L = SE B = JEEP - 2WD (RHD)
P = Classic J = JEEP - 4WD
S = Limited U = JEEP - 4WD (RHD)

BODY
74 = 4 Dr (101.4WB)
72 = 2 Dr (101.4WB)

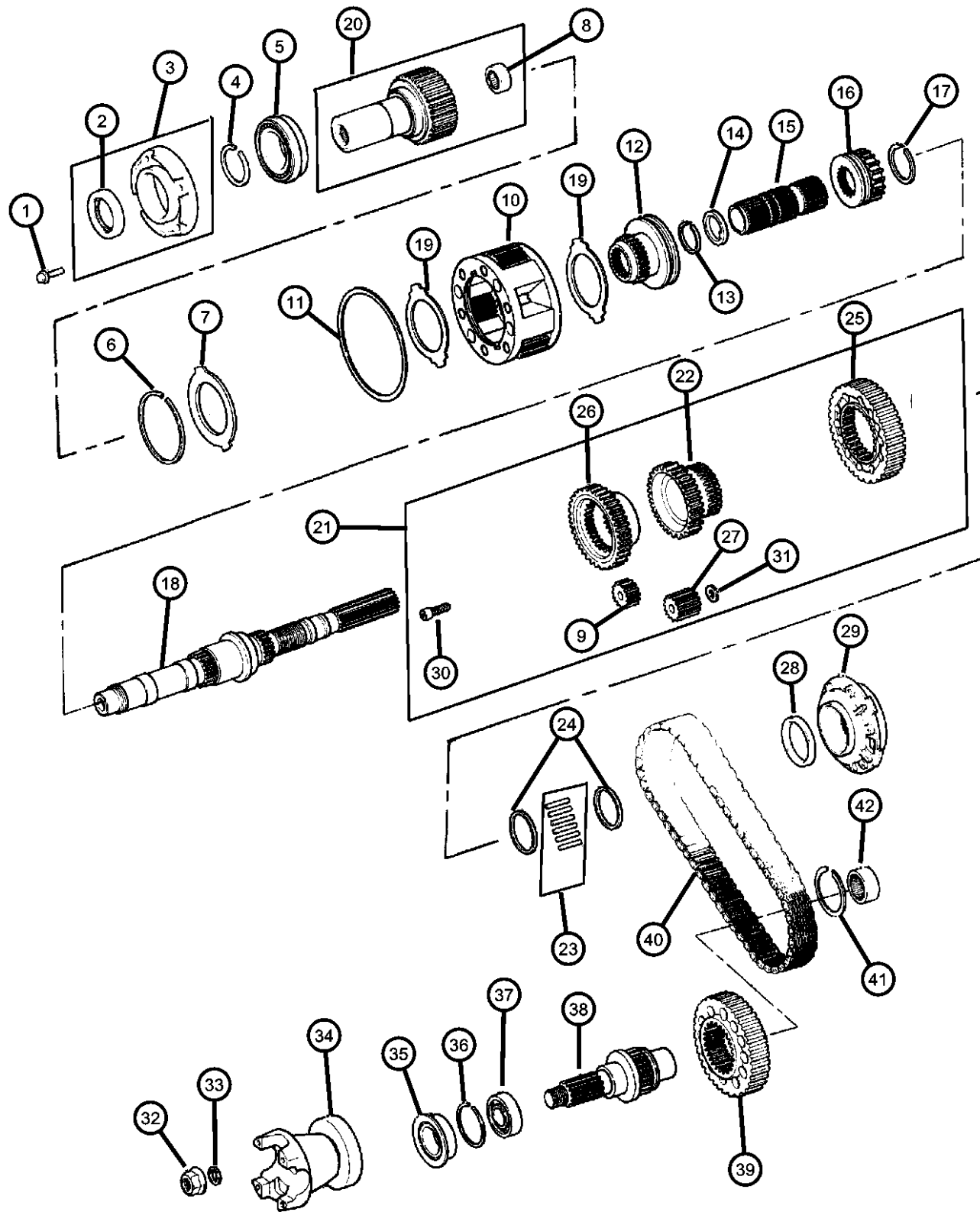
ENGINE
ENC = ENGINE - 2.5L 4 CYL TURBO DIESEL
EPE = ENGINE - 2.5L POWER TECH I-4 Cyl.
ERH = ENGINE - 4.0L POWER TECH I-6

TRANSMISSION
DDD = TRANSMISSION - 5-SPEED HD MANUAL
DDQ = TRANSMISSION - 5-SPEED MANUAL
DGD = TRANSMISSION - 3-SPD. AUTOMATIC,30RH
DGK = TRANSMISSION - 4-SPD. AUTOMATIC,42RE
DGS = TRANSMISSION-4SPD. AUTO,AISIN WARNER
DGT = TRANSMISSION - 4-SPD. AUTOMATIC,46RE
DGW = TRANSMISSION - 4-SPD. AUTOMATIC,44RE
DGX = TRANSMISSION - 4-SPEED AUTOMATIC
DBB = ALL MANUAL TRANSMISSIONS
DGO = ALL AUTOMATIC TRANSMISSIONS

AR = use ase required - = Non illustrated part

2000 XJ

**Gear Train Select Trac (DHP)
Figure 242-410**



ITEM	PART NUMBER	QTY	LINE	SERIES	BODY	ENGINE	TRANS	TRIM	DESCRIPTION
1	06500318	4	J, U			ER0	DG0		BOLT
2	04167929	1	J, U			ER0	DG0		SEAL, Input Gear
3	04338973	1	J, U			ER0	DG0		EXTENSION, Transfer Case
4	03821558	1	J, U			ER0	DG0		SNAP RING
5	04746155	1	J, U			ER0	DG0		BEARING, Input Gear
6	04338910	1	J, U			ER0	DG0		SNAP RING
7	04338909	1	J, U			ER0	DG0		RING
8	83503507	1	J, U			ER0	DG0		BEARING, Input Shaft
9	83504170	3	J, U			ER0	DG0		GEAR, Planetary
10	04796903	1	J, U			ER0	DG0		PLANETARY, Transfer Case
11	04219065	1	J, U			ER0	DG0		SNAP RING, Annulus Gear With Police
		1	J, U			ER0	DG0		Without Police
12	04798279	1	J, U			ER0	DG0		SLEEVE, Shift Range
13	83503540	1	J, U			ER0	DG0		SNAP RING
14	83503539	1	J, U			ER0	DG0		WASHER, Intermediate Sleeve
15	04798277	1	J, U			ER0	DG0		SHAFT, Intermediate
16	83503542	1	J, U			ER0	DG0		SLEEVE, Mode Synchronizer
17	83503537	1	J, U			ER0	DG0		SNAP RING
18	04798145	1	J, U			ER0	DG0		MAINSHAFT, Transfer Case
19	04338908	2	J, U			ER0	DG0		THRUST WASHER, Planetary Carrier
20	04798126	1	J, U			ER0	DG0		GEAR, Input

Notes:

ER0= All 4L., 6 Cylinder, Gas Engine
DG0 = All Automatic Transmissions

CHEROKEE (XJ)

SERIES	LINE
H = Sport	T = JEEP - 2WD
L = SE	B = JEEP - 2WD (RHD)
P = Classic	J = JEEP - 4WD
S = Limited	U = JEEP - 4WD (RHD)

BODY
74 = 4 Dr (101.4WB)
72 = 2 Dr (101.4WB)

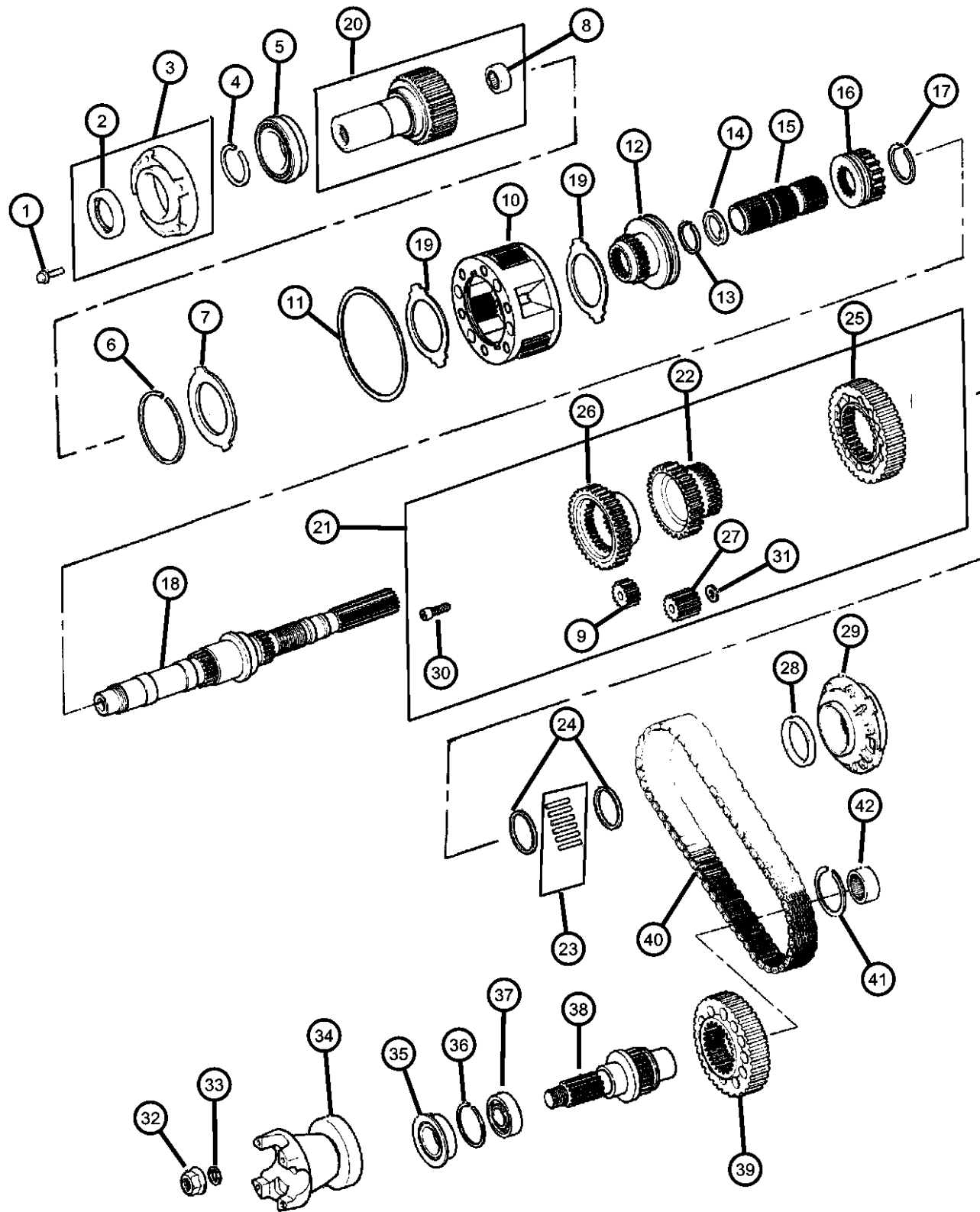
ENGINE
ENC = ENGINE - 2.5L 4 CYL TURBO DIESEL
EPE = ENGINE - 2.5L POWER TECH I-4 Cyl.
ERH = ENGINE - 4.0L POWER TECH I-6

TRANSMISSION
DDD = TRANSMISSION - 5-SPEED HD MANUAL
DDQ = TRANSMISSION - 5-SPEED MANUAL
DGD = TRANSMISSION - 3-SPD. AUTOMATIC,30RH
DGK = TRANSMISSION - 4-SPD. AUTOMATIC,42RE
DGS = TRANSMISSION-4SPD. AUTO,AISIN WARNER
DGT = TRANSMISSION - 4-SPD. AUTOMATIC,46RE
DGW = TRANSMISSION - 4-SPD. AUTOMATIC,44RE
DGX = TRANSMISSION - 4-SPEED AUTOMATIC
DBB = ALL MANUAL TRANSMISSIONS
DGO = ALL AUTOMATIC TRANSMISSIONS

AR = use ase required - = Non illustrated part

2000 XJ

**Gear Train Select Trac (DHP)
Figure 242-410**



ITEM	PART NUMBER	QTY	LINE	SERIES	BODY	ENGINE	TRANS	TRIM	DESCRIPTION
21	83503529	1	J, U			ER0	DG0		DIFFERENTIAL, Transfer Case
22	83503530	1	J, U			ER0	DG0		GEAR, Differential Drive
									Without Police
									With Police
23	83503543	1	J, U			ER0	DG0		BEARING PACKAGE, Transfer Case
24	83503533	2	J, U			ER0	DG0		SPACER, Sprocket
25	83503531	1	J, U			ER0	DG0		SPROCKET, Transfer Case
									Without Police
									With Police
26	83503536	1	J, U			ER0	DG0		SPROCKET, Differential
27	83504169	3	J, U			ER0	DG0		GEAR, Planetary
28	04210603	1	J, U			ER0	DG0		SEAL, Main Shaft
29	04338936	1	J, U			ER0	DG0		PUMP, Transfer Case Oil
30	03820898	6	J, U			ER0	DG0		SCREW
31	83504168	12	J, U			ER0	DG0		WASHER, Differential Gear
32	04167924	1	J, U			ER0	DG0		NUT, Transfer Case Yoke
33	04210973	1	J, U			ER0	DG0		WASHER, Transfer Case Yoke
34	04798138	1	J, U			ER0	DG0		YOKE, Transfer Case
35	04798125	1	J, U			ER0	DG0		SEAL, Output Shaft
36	0089331A	1	J, U			ER0	DG0		SNAP RING
37	04338321	1	J, U			ER0	DG0		BEARING
									With Police
									Without Police
38	83503517	1	J, U			ER0	DG0		OUTPUT SHAFT, Transfer Case

CHEROKEE (XJ)

SERIES LINE
H = Sport T = JEEP - 2WD
L = SE B = JEEP - 2WD (RHD)
P = Classic J = JEEP - 4WD
S = Limited U = JEEP - 4WD (RHD)

BODY
74 = 4 Dr (101.4WB)
72 = 2 Dr (101.4WB)

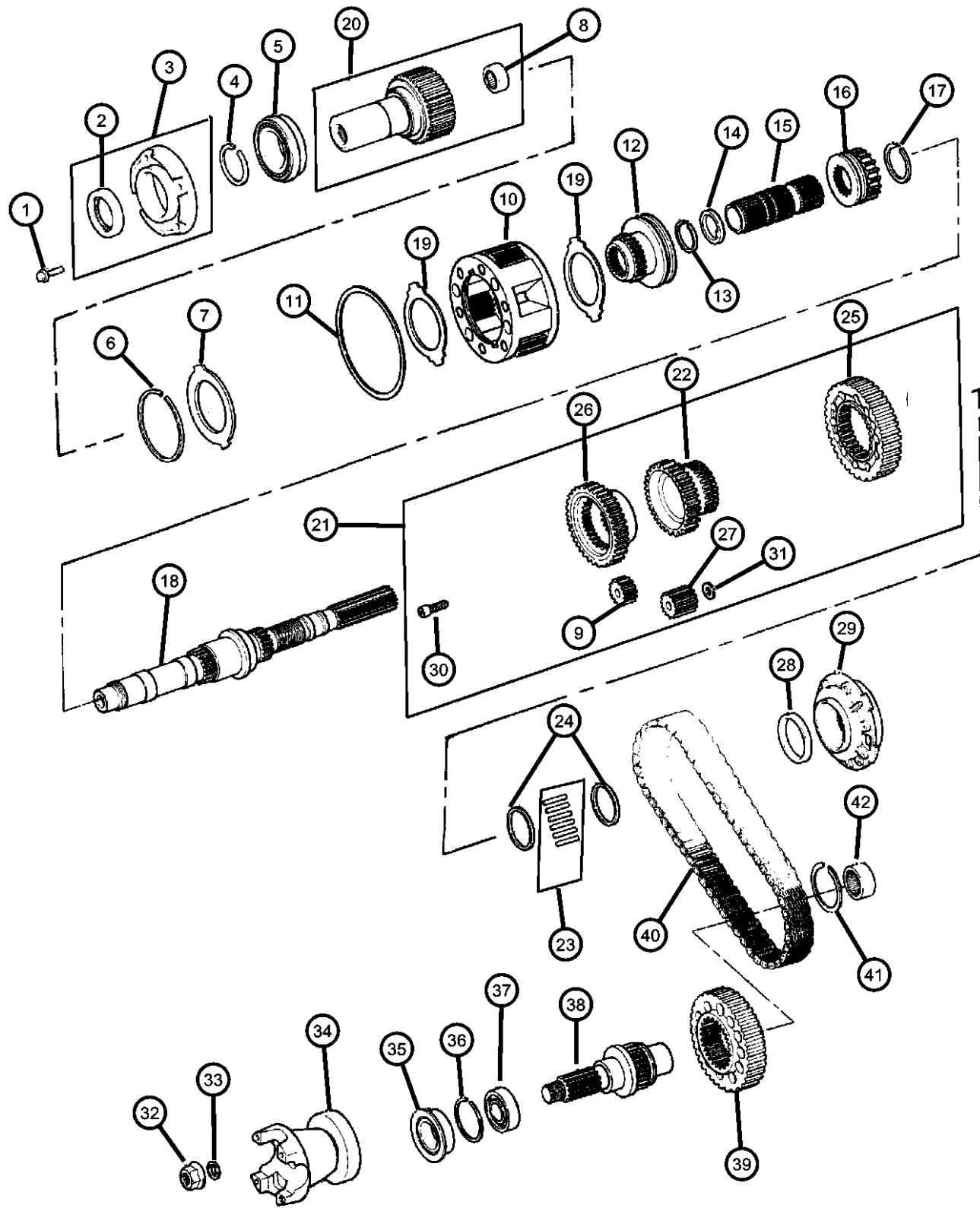
ENGINE
ENC = ENGINE - 2.5L 4 CYL TURBO DIESEL
EPE = ENGINE - 2.5L POWER TECH I-4 Cyl.
ERH = ENGINE - 4.0L POWER TECH I-6

TRANSMISSION
DDD = TRANSMISSION - 5-SPEED HD MANUAL
DDQ = TRANSMISSION - 5-SPEED MANUAL
DGD = TRANSMISSION - 3-SPD. AUTOMATIC,30RH
DGK = TRANSMISSION - 4-SPD. AUTOMATIC,42RE
DGS = TRANSMISSION-4SPD. AUTO,AISIN WARNER
DGT = TRANSMISSION - 4-SPD. AUTOMATIC,46RE
DGW = TRANSMISSION - 4-SPD. AUTOMATIC,44RE
DGX = TRANSMISSION - 4-SPEED AUTOMATIC
DBB = ALL MANUAL TRANSMISSIONS
DGO = ALL AUTOMATIC TRANSMISSIONS

AR = use ase required - = Non illustrated part

2000 XJ

**Gear Train Select Trac (DHP)
Figure 242-410**



ITEM	PART NUMBER	QTY	LINE	SERIES	BODY	ENGINE	TRANS	TRIM	DESCRIPTION
39	83503518	1	J, U			ER0	DG0		SPROCKET, Transfer Case
40	04638890	1	J, U			ER0	DG0		CHAIN, Transfer Case
41	04167991	1	J, U			ER0	DG0		SNAP RING, Bearing
42	04269189	1	J, U			ER0	DG0		BEARING, Output Shaft

CHEROKEE (XJ)

SERIES	LINE
H = Sport	T = JEEP - 2WD
L = SE	B = JEEP - 2WD (RHD)
P = Classic	J = JEEP - 4WD
S = Limited	U = JEEP - 4WD (RHD)

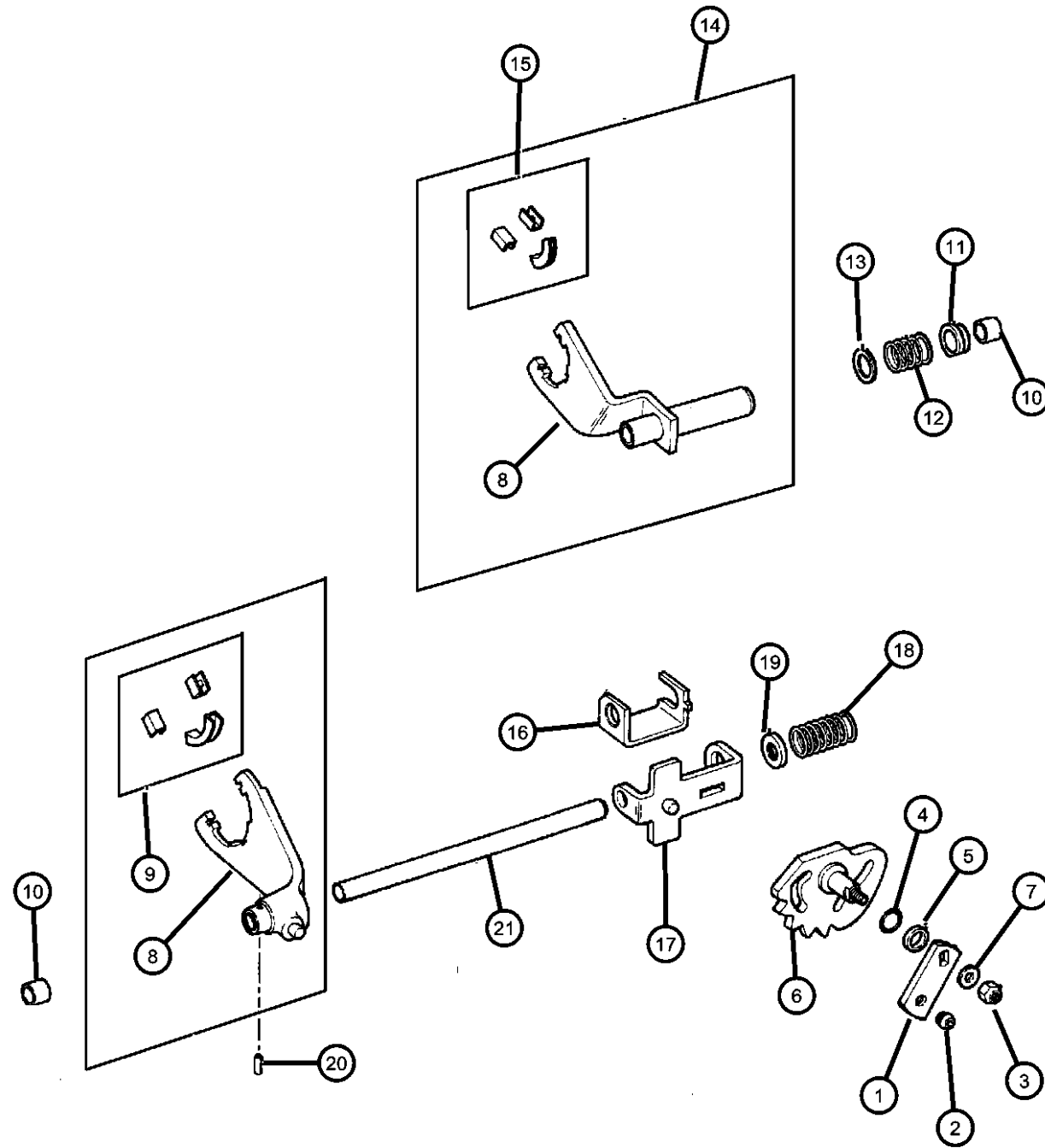
BODY
74 = 4 Dr (101.4WB)
72 = 2 Dr (101.4WB)

ENGINE
ENC = ENGINE - 2.5L 4 CYL TURBO DIESEL
EPE = ENGINE - 2.5L POWER TECH I-4 Cyl.
ERH = ENGINE - 4.0L POWER TECH I-6

TRANSMISSION
DDD = TRANSMISSION - 5-SPEED HD MANUAL
DDQ = TRANSMISSION - 5-SPEED MANUAL
DGD = TRANSMISSION - 3-SPD. AUTOMATIC,30RH
DGK = TRANSMISSION - 4-SPD. AUTOMATIC,42RE
DGS = TRANSMISSION-4SPD. AUTO,AISIN WARNER
DGT = TRANSMISSION - 4-SPD. AUTOMATIC,46RE
DGW = TRANSMISSION - 4-SPD. AUTOMATIC,44RE
DGX = TRANSMISSION - 4-SPEED AUTOMATIC
DBB = ALL MANUAL TRANSMISSIONS
DGO = ALL AUTOMATIC TRANSMISSIONS

AR = use ase required - = Non illustrated part

Fork and Rails Select Trac (DHP)
Figure 242-910



ITEM	PART NUMBER	QTY	LINE	SERIES	BODY	ENGINE	TRANS	TRIM	DESCRIPTION
1	53004227	1	J, U			ER0	DG0		LEVER, Transfer Case
2	53004810	1	J, U			ER0	DG0		BUSHING, Shift Lever
3	00152345	1	J, U			ER0	DG0		NUT, Hex Flange Lock
4	04167963	1	J, U			ER0	DG0		SEAL, O-Ring
5	04167964	1	J, U			ER0	DG0		RETAINER, Rear Clutch
6	04638949	1	J, U			ER0	DG0		SECTOR, Transfer Case
7	04638949	1							WASHER, (NOT SERVICED)
8	83503508	1	J, U			ER0	DG0		FORK, Range
9	04167970	1	J, U			ER0	DG0		PAD, Shift Fork
10	J8134291	2	J, U			ER0	DG0		BUSHING, Shift Fork
11	83503514	1	J, U			ER0	DG0		BUSHING, Shift Rail
12	83503513	1	J, U			ER0	DG0		SPRING, Mode Shift Fork
13	83503512	1	J, U			ER0	DG0		WASHER, Flat
14	04638950	1	J, U			ER0	DG0		FORK, Transfer Case Mode Shift
15	04167969	2	J, U			ER0	DG0		PAD, Shift Fork
16	83503510	1	J, U			ER0	DG0		BRACKET, Shift Mode
17	83503511	1	J, U			ER0	DG0		BRACKET, Shift Mode
18	83503516	1	J, U			ER0	DG0		SPRING, Mode Shift Fork
19	83503515	1	J, U			ER0	DG0		CUP, Shift Fork Spring
20	01664355	1	J, U			ER0	DG0		PIN, Shift Fork
21	83504469	1	J, U			ER0	DG0		RAIL, Transfer Case

Notes:

ER0= All 4L., 6 Cylinder, Gas Engine

DG0 = All Automatic Transmissions

CHEROKEE (XJ)

SERIES LINE
H = Sport T = JEEP - 2WD
L = SE B = JEEP - 2WD (RHD)
P = Classic J = JEEP - 4WD
S = Limited U = JEEP - 4WD (RHD)

BODY
74 = 4 Dr (101.4WB)
72 = 2 Dr (101.4WB)

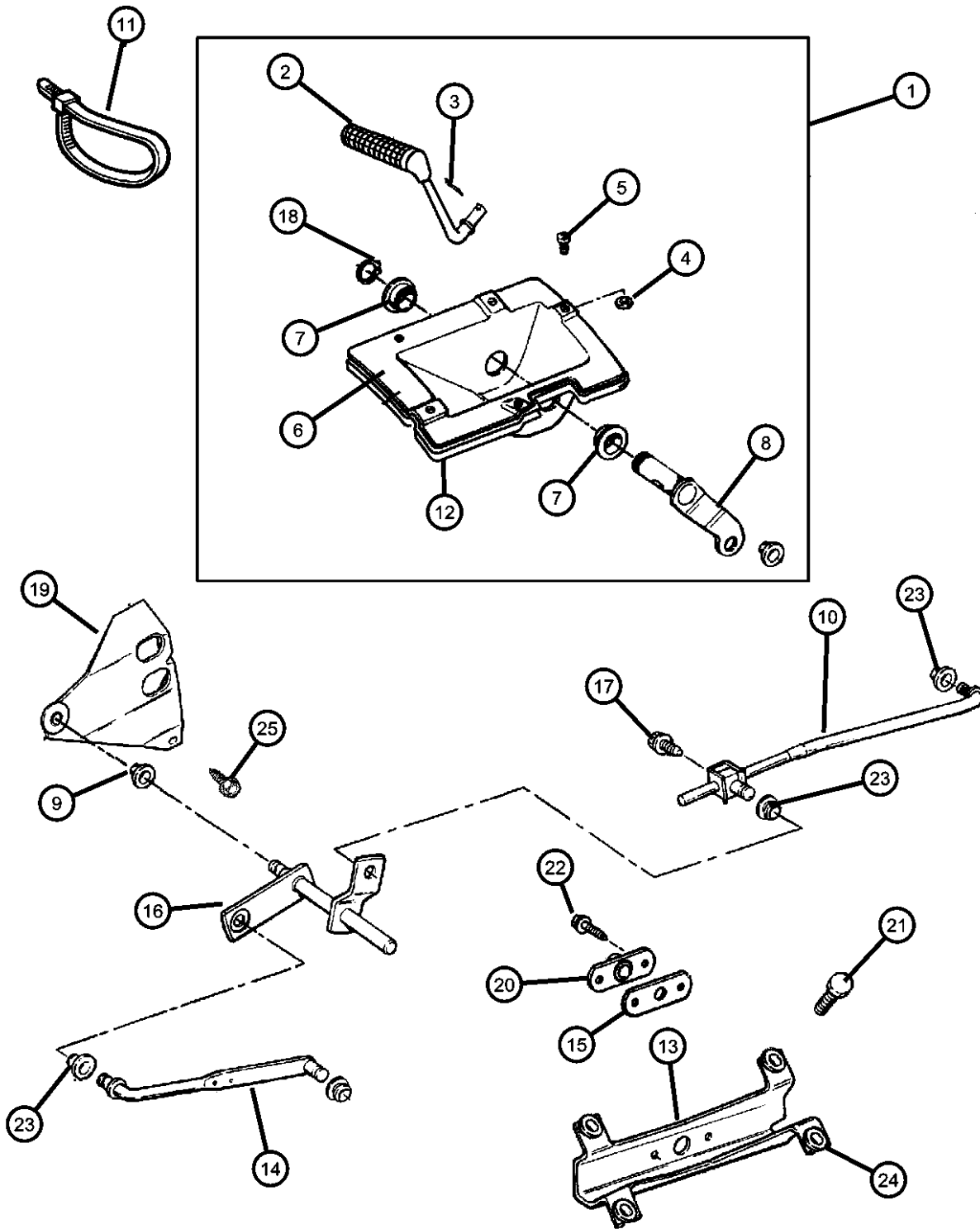
ENGINE
ENC = ENGINE - 2.5L 4 CYL TURBO DIESEL
EPE = ENGINE - 2.5L POWER TECH I-4 Cyl.
ERH = ENGINE - 4.0L POWER TECH I-6

TRANSMISSION
DDD = TRANSMISSION - 5-SPEED HD MANUAL
DDQ = TRANSMISSION - 5-SPEED MANUAL
DGD = TRANSMISSION - 3-SPD. AUTOMATIC,30RH
DGK = TRANSMISSION - 4-SPD. AUTOMATIC,42RE
DGS = TRANSMISSION-4SPD. AUTO,AISIN WARNER
DGT = TRANSMISSION - 4-SPD. AUTOMATIC,46RE
DGW = TRANSMISSION - 4-SPD. AUTOMATIC,44RE
DGX = TRANSMISSION - 4-SPEED AUTOMATIC
DBB = ALL MANUAL TRANSMISSIONS
DGO = ALL AUTOMATIC TRANSMISSIONS

AR = use ase required - = Non illustrated part

2000 XJ

**Gearshift Controls Select Trac (DHP)
Figure 242-1210**



ITEM	PART NUMBER	QTY	LINE	SERIES	BODY	ENGINE	TRANS	TRIM	DESCRIPTION
------	-------------	-----	------	--------	------	--------	-------	------	-------------

Notes:

ERO= All 4L., 6 Cylinder, Gas Engine

DBB = All Manual Transmissions

DG0 = All Automatic Transmissions

1	52104102AB	1	J				DG0		SHIFTER, Transfer Case
	52104103AB	1	U				DG0		
2	52079256	1	J				DG0		LEVER, Transfer Case Shifter
		1	U				DG0		
3	J4006723	1	J				DG0		PIN, Cotter
		1	U				DG0		
4	06100839	2	J				DG0		NUT, Push, M5
		2	U				DG0		
5	52077671	1	J				DG0		FASTENER, Push On
		1	U				DG0		
6	53001284	1	J				DG0		HOUSING, Shift Lever
		1	U				DG0		
7	53000639	2	J				DG0		BUSHING, Shift Control
		2	U				DG0		
8									LEVER, Transfer Case

CHEROKEE (XJ)

SERIES	LINE
H = Sport	T = JEEP - 2WD
L = SE	B = JEEP - 2WD (RHD)
P = Classic	J = JEEP - 4WD
S = Limited	U = JEEP - 4WD (RHD)

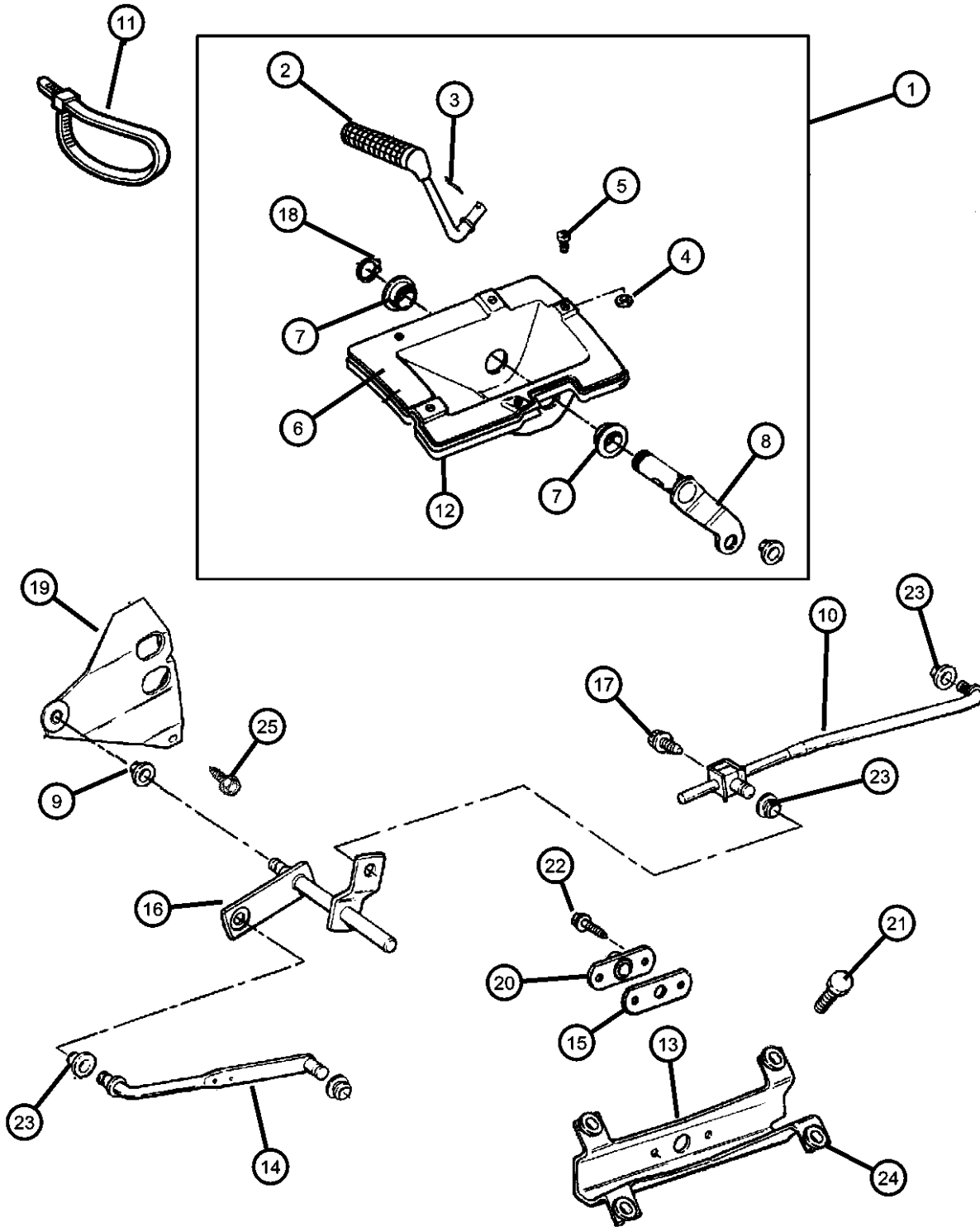
BODY
74 = 4 Dr (101.4WB)
72 = 2 Dr (101.4WB)

ENGINE	TRANSMISSION
ENC = ENGINE - 2.5L 4 CYL TURBO DIESEL	DDD = TRANSMISSION - 5-SPEED HD MANUAL
EPE = ENGINE - 2.5L POWER TECH I-4 Cyl.	DDQ = TRANSMISSION - 5-SPEED MANUAL
ERH = ENGINE - 4.0L POWER TECH I-6	DGD = TRANSMISSION - 3-SPD. AUTOMATIC,30RH
	DGK = TRANSMISSION - 4-SPD. AUTOMATIC,42RE
	DGS = TRANSMISSION-4SPD. AUTO,AISIN WARNER
	DGT = TRANSMISSION - 4-SPD. AUTOMATIC,46RE
	DGW = TRANSMISSION - 4-SPD. AUTOMATIC,44RE
	DGX = TRANSMISSION - 4-SPEED AUTOMATIC
	DBB = ALL MANUAL TRANSMISSIONS
	DGO = ALL AUTOMATIC TRANSMISSIONS

AR = use ase required - = Non illustrated part

2000 XJ

**Gearshift Controls Select Trac (DHP)
Figure 242-1210**



ITEM	PART NUMBER	QTY	LINE	SERIES	BODY	ENGINE	TRANS	TRIM	DESCRIPTION
	53005150	1	J				DG0		
		1	U				DG0		
9	53004810	1	J, U			ER0	DG0		BUSHING, Shift Lever
10	52104073	1	J, U			ER0	DG0		ROD, Gear Shift Control, Transfer Case
11									STRAP, Retaining
	J3693058	1	J				DG0		
		1	U				DG0		
12									BOOT, Transfer Case Lever
	52104019	1	J				DG0		
		1	U				DG0		
13	52104017AB	1	J, U			ER0	DG0		BRACKET, Torque Shaft
14									ROD, Gear Shift Control, Transfer Case
	52104122	1	J, U			ER0	DBB		
	53004943	1	J, U			ER0	DG0		
15	53005154	1	J, U			ER0	DG0		GASKET, Gearshift Control Rod
16	53005151	1	J, U			ER0	DG0		TORQUE SHAFT, Transfer Case
17	J4006036	1	J, U						BOLT, Hex Head, .312-18x.50
18									SNAP RING
	11505389	1	J				DG0		
		1	U				DG0		
19	53005071AB	1	J, U			ER0	DG0		BRACKET, Torque Shaft
20	52078134	1	J, U			ER0	DG0		BEARING, Transfer Case Shift
21	06503811	4	J, U						BOLT, Hex Head, M6x1.00x20.00

CHEROKEE (XJ)

SERIES LINE
H = Sport T = JEEP - 2WD
L = SE B = JEEP - 2WD (RHD)
P = Classic J = JEEP - 4WD
S = Limited U = JEEP - 4WD (RHD)

BODY
74 = 4 Dr (101.4WB)
72 = 2 Dr (101.4WB)

ENGINE
ENC = ENGINE - 2.5L 4 CYL TURBO DIESEL
EPE = ENGINE - 2.5L POWER TECH I-4 Cyl.
ERH = ENGINE - 4.0L POWER TECH I-6

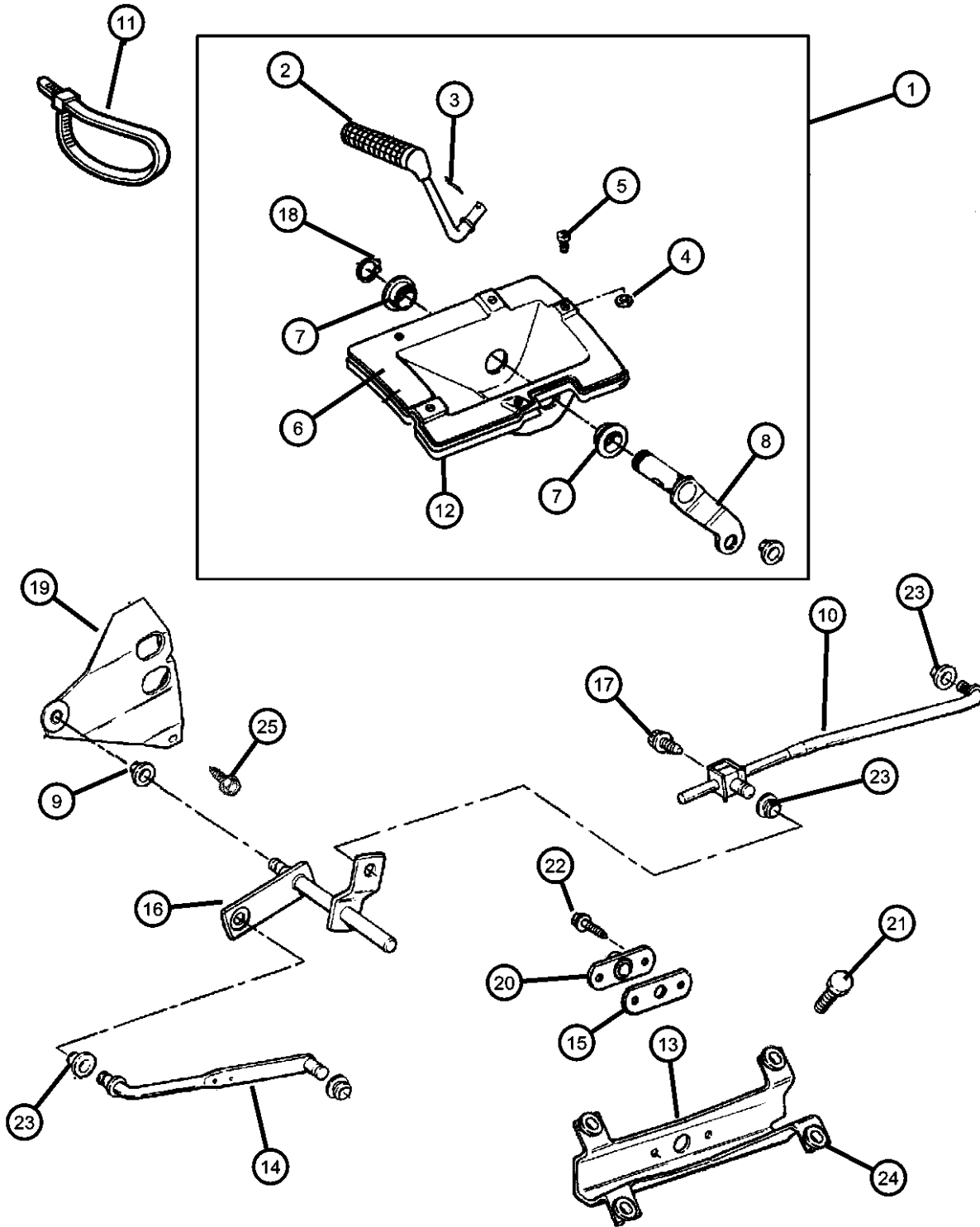
TRANSMISSION
DDD = TRANSMISSION - 5-SPEED HD MANUAL
DDQ = TRANSMISSION - 5-SPEED MANUAL
DGD = TRANSMISSION - 3-SPD. AUTOMATIC,30RH
DGK = TRANSMISSION - 4-SPD. AUTOMATIC,42RE
DGS = TRANSMISSION-4SPD. AUTO,AISIN WARNER
DGT = TRANSMISSION - 4-SPD. AUTOMATIC,46RE
DGW = TRANSMISSION - 4-SPD. AUTOMATIC,44RE
DGX = TRANSMISSION - 4-SPEED AUTOMATIC
DBB = ALL MANUAL TRANSMISSIONS
DGO = ALL AUTOMATIC TRANSMISSIONS

AR = use ase required - = Non illustrated part

2000 XJ

**Gearshift Controls Select Trac (DHP)
Figure 242-1210**

ITEM	PART NUMBER	QTY	LINE	SERIES	BODY	ENGINE	TRANS	TRIM	DESCRIPTION
22	34201381	2	J, U			ER0	DG0		SCREW, Hex Flange Head Tapping, M6x1.00x20.00
23	03575333	2	J, U			ER0	DG0		GROMMET, Control Rod Front
24	52104014	4	J, U			ER0	DG0		GROMMET
25	11504336	1	J, U			ER0	DG0		BOLT, Hex Head, M8x1.25x16



CHEROKEE (XJ)

SERIES	LINE
H = Sport	T = JEEP - 2WD
L = SE	B = JEEP - 2WD (RHD)
P = Classic	J = JEEP - 4WD
S = Limited	U = JEEP - 4WD (RHD)

BODY
74 = 4 Dr (101.4WB)
72 = 2 Dr (101.4WB)

ENGINE
ENC = ENGINE - 2.5L 4 CYL TURBO DIESEL
EPE = ENGINE - 2.5L POWER TECH I-4 Cyl.
ERH = ENGINE - 4.0L POWER TECH I-6

TRANSMISSION
DDD = TRANSMISSION - 5-SPEED HD MANUAL
DDQ = TRANSMISSION - 5-SPEED MANUAL
DGD = TRANSMISSION - 3-SPD. AUTOMATIC,30RH
DGK = TRANSMISSION - 4-SPD. AUTOMATIC,42RE
DGS = TRANSMISSION-4SPD. AUTO,AISIN WARNER
DGT = TRANSMISSION - 4-SPD. AUTOMATIC,46RE
DGW = TRANSMISSION - 4-SPD. AUTOMATIC,44RE
DGX = TRANSMISSION - 4-SPEED AUTOMATIC
DBB = ALL MANUAL TRANSMISSIONS
DGO = ALL AUTOMATIC TRANSMISSIONS

AR = use ase required - = Non illustrated part

Group - 21P

Speedometer Pinions


Group - 21P Speedometer Pinions

Group-Fig. No.

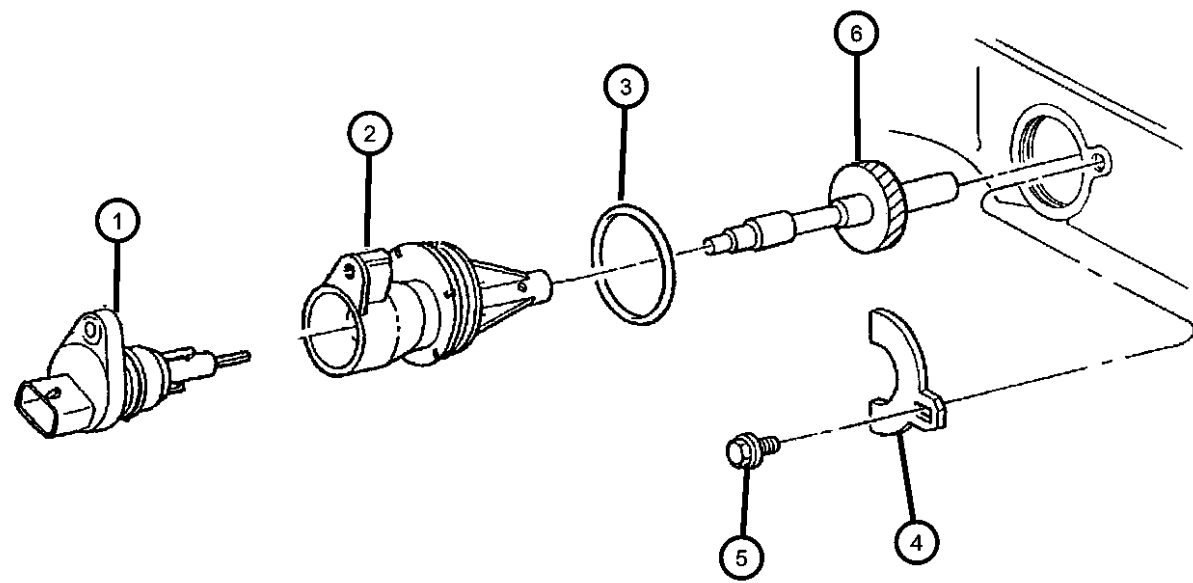
Illustration Title

Speedometer Pinions

Speedometer Pinion Fig. 21P - 110

<p>21P-100 Speedometer Pinions</p> 			
--	--	--	--

**Speedometer Pinion
Figure 21P-110**



ITEM	PART NUMBER	QTY	LINE	SERIES	BODY	ENGINE	TRANS	TRIM	DESCRIPTION
1	56027905	1							SENSOR, Vehicle Speed
2	52069315	1							HOUSING, Speedometer Drive Gear
3	06035709	1							O RING, Trans Speedo Adapter
4	02892399	1							CLAMP, Speedometer
5	00180077	1							BOLT, Hex Head, 5/16x18x3/4
6									PINION, Speedometer Drive
	52067629	1							3.07 AXLE RATIO, 29 Teeth, P225/75R15 Wrangler RT/S AT
	52067630	1							3.07 AXLE RATIO, 30 Teeth, All P215/75R15/R16/R17, P225/70R15 (OWL) Eagle GA A/S
	52067633	1							3.50 AXLE RATIO, 33 Teeth, P225/75R15 Wrangler RT/S AT Michelin
	52067634	1							3.50 AXLE RATIO, 34 Teeth, P225/75R15 Wrangler RT/S AT Goodyear
		1							3.50 AXLE RATIO, 34 Teeth, P225/75R15 Wrangler RT/S AT Goodyear P225/70R16 BSW Wrangler
	52067635	1							3.50 AXLE RATIO, 35 Teeth P215/75R15 BSW A/S Wrangler AP
		1							3.70 AXLE RATIO, 35 Teeth, P225/75R15 Wrangler RT/S AT Michelin
		1							3.50 AXLE RATIO, 35 Teeth, P225/70R15 High Speed Rated Eagle GA, P225/70R15 (OWL) Eagle GA A/S

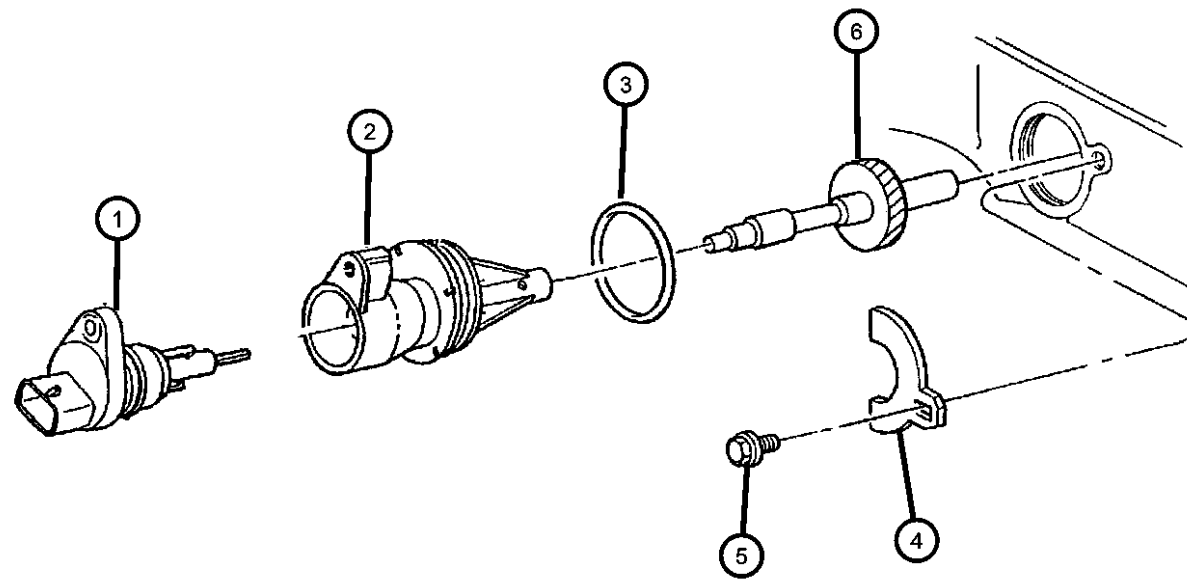
CHEROKEE (XJ)

SERIES	LINE	BODY	ENGINE	TRANSMISSION
H = Sport	T = JEEP - 2WD	74 = 4 Dr (101.4WB)	ENC = ENGINE - 2.5L 4 CYL TURBO DIESEL	DDD = TRANSMISSION - 5-SPEED HD MANUAL
L = SE	B = JEEP - 2WD (RHD)	72 = 2 Dr (101.4WB)	EPE = ENGINE - 2.5L POWER TECH I-4 Cyl.	DDQ = TRANSMISSION - 5-SPEED MANUAL
P = Classic	J = JEEP - 4WD		ERH = ENGINE - 4.0L POWER TECH I-6	DGD = TRANSMISSION - 3-SPD. AUTOMATIC,30RH
S = Limited	U = JEEP - 4WD (RHD)			DGK = TRANSMISSION - 4-SPD. AUTOMATIC,42RE
				DGS = TRANSMISSION-4SPD. AUTO,AISIN WARNER
				DGT = TRANSMISSION - 4-SPD. AUTOMATIC,46RE
				DGW = TRANSMISSION - 4-SPD. AUTOMATIC,44RE
				DGX = TRANSMISSION - 4-SPEED AUTOMATIC
				DBB = ALL MANUAL TRANSMISSIONS
				DGO = ALL AUTOMATIC TRANSMISSIONS

AR = use ase required - = Non illustrated part

**Speedometer Pinion
Figure 21P-110**

ITEM	PART NUMBER	QTY	LINE	SERIES	BODY	ENGINE	TRANS	TRIM	DESCRIPTION
	52067636	1							3.70 AXLE RATIO, 36 Teeth, P225/75R15 Wrangler RT/S AT, P225/75R15 (OWL) A/S Goodyear Tires
		1							3.70 AXLE RATIO, 36 Teeth, P225/75R15 Wrangler RT/S AT, P225/75R15 (OWL) A/S Goodyear Tires P225/70R16 BSW AT
	52067637	1							3.70 AXLE RATIO, 37 Teeth, All P215R15/R16/R17 Tires,P225/70R15 (OWL) Eagle GA A/S Tires
	52067639	1							4.11 AXLE RATIO, 39 Teeth, P215/75R15 Wrangler RT/S AT
	52067640	1							4.11 AXLE RATIO, 40 Teeth, All P215R15/R16/R17 Tires
	52067641	1							4.11 AXLE RATIO, 41 Teeth, P225/70R15 (OWL) A/S



CHEROKEE (XJ)

SERIES	LINE	BODY	ENGINE	TRANSMISSION
H = Sport	T = JEEP - 2WD	74 = 4 Dr (101.4WB)	ENC = ENGINE - 2.5L 4 CYL TURBO DIESEL	DDD = TRANSMISSION - 5-SPEED HD MANUAL
L = SE	B = JEEP - 2WD (RHD)	72 = 2 Dr (101.4WB)	EPE = ENGINE - 2.5L POWER TECH I-4 Cyl.	DDQ = TRANSMISSION - 5-SPEED MANUAL
P = Classic	J = JEEP - 4WD		ERH = ENGINE - 4.0L POWER TECH I-6	DGD = TRANSMISSION - 3-SPD. AUTOMATIC,30RH
S = Limited	U = JEEP - 4WD (RHD)			DGK = TRANSMISSION - 4-SPD. AUTOMATIC,42RE
				DGS = TRANSMISSION-4SPD. AUTO,AISIN WARNER
				DGT = TRANSMISSION - 4-SPD. AUTOMATIC,46RE
				DGW = TRANSMISSION - 4-SPD. AUTOMATIC,44RE
				DGX = TRANSMISSION - 4-SPEED AUTOMATIC
				DBB = ALL MANUAL TRANSMISSIONS
				DGO = ALL AUTOMATIC TRANSMISSIONS

AR = use ase required - = Non illustrated part

Group - 22

Wheels, Covers and Jacks

Group - 22 Wheels, Covers and Jacks

Group-Fig. No.

Illustration Title

Wheels and Hardware

Wheels and HardwareFig. 22 - 120

Wheel Covers and Center Caps


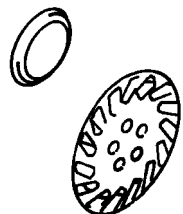
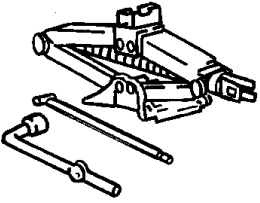
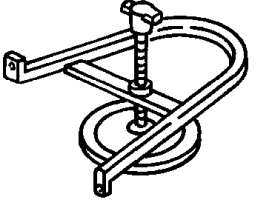
Wheel CapFig. 22 - 220

Jack Stowage

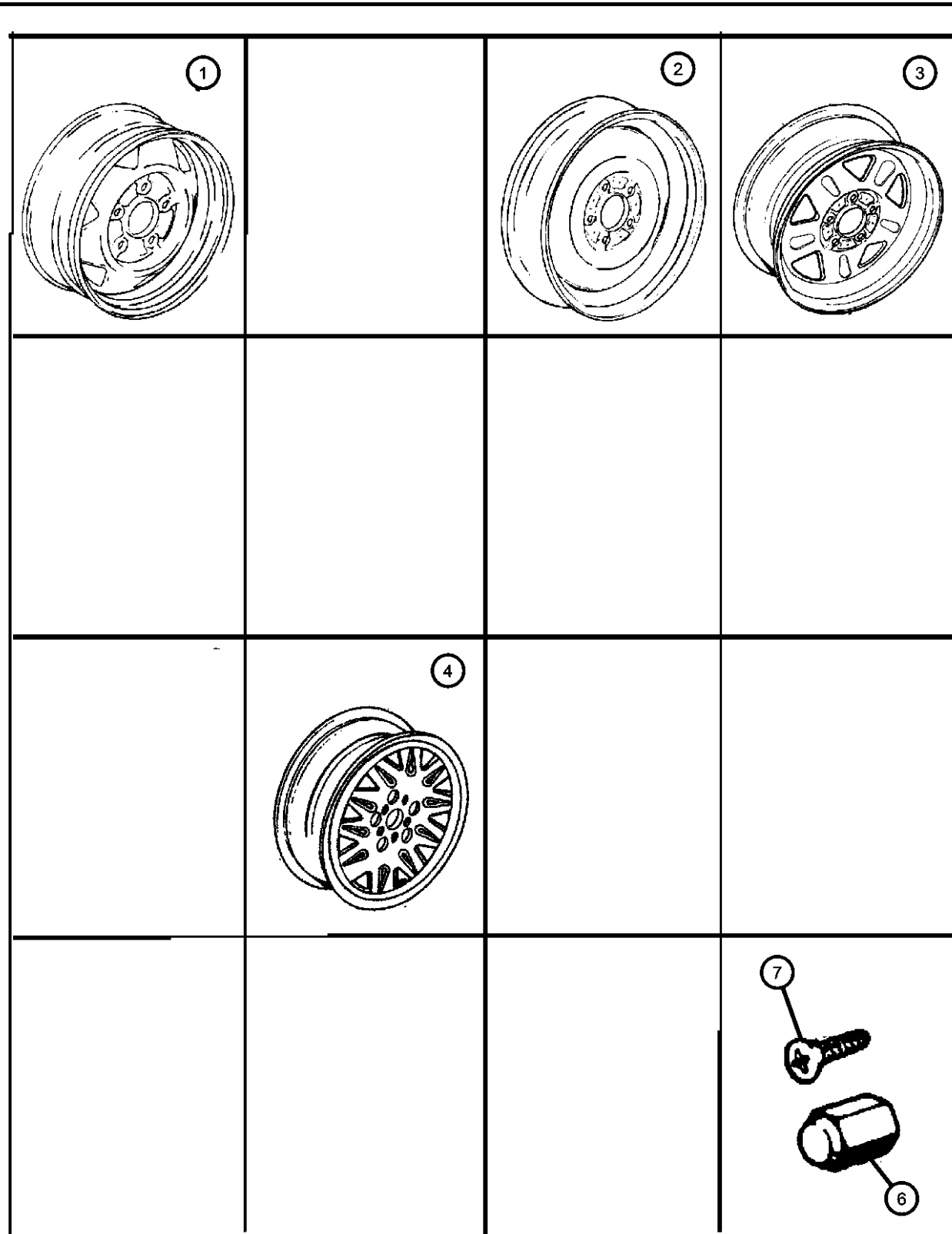
Jack StowageFig. 22 - 310

Spare Tire Stowage

Wheel, SpareFig. 22 - 430

<p>022-100 Wheels and Hardware</p> 	<p>022-200 Wheel Covers and Center Caps</p> 	<p>022-300 Jack Stowage</p> 	<p>022-400 Spare Tire Stowage</p> 
---	--	---	--

Wheels and Hardware
Figure 22-120



ITEM	PART NUMBER	QTY	LINE	SERIES	BODY	ENGINE	TRANS	TRIM	DESCRIPTION
Note: Sales Code WJW,WJ1 = 15x7.0 Aluminum Wheel									
Note: Sales Code WNL,WDF,WDU = 16x7.0 Aluminum Wheel									
1	5EW03T4A	4							WHEEL, Steel, [WJD]
2	52000019	1							WHEEL, Spare
3									WHEEL, Steel
	5FV63S4A	4							Up-To 5-1-99 [WJ5]
	5FV63S4AAB	4							After 5-1-99 [WJ5]
4									WHEEL, Aluminum
	5EE80TAE	4							15 x 7.0 WJW
	5EE80WTD	4							15 x 7.0 WJU
-5									WHEEL, Aluminum
	5FG56PAKAB	4							16 x 7.0 WDU
	5GK75PAKAA	4							16 x 7.0 WDF
	5GR08MA8AA	4							16 x 7.0 WNL
6	J4006956	20							NUT, Wheel, .50x20
7	34202523	12							SCREW, Hex Flange Head, M4.8x1.59x11.00

CHEROKEE (XJ)

SERIES

H = Sport
L = SE
P = Classic
S = Limited

LINE

T = JEEP - 2WD
B = JEEP - 2WD (RHD)
J = JEEP - 4WD
U = JEEP - 4WD (RHD)

BODY

74 = 4 Dr (101.4WB)
72 = 2 Dr (101.4WB)

ENGINE

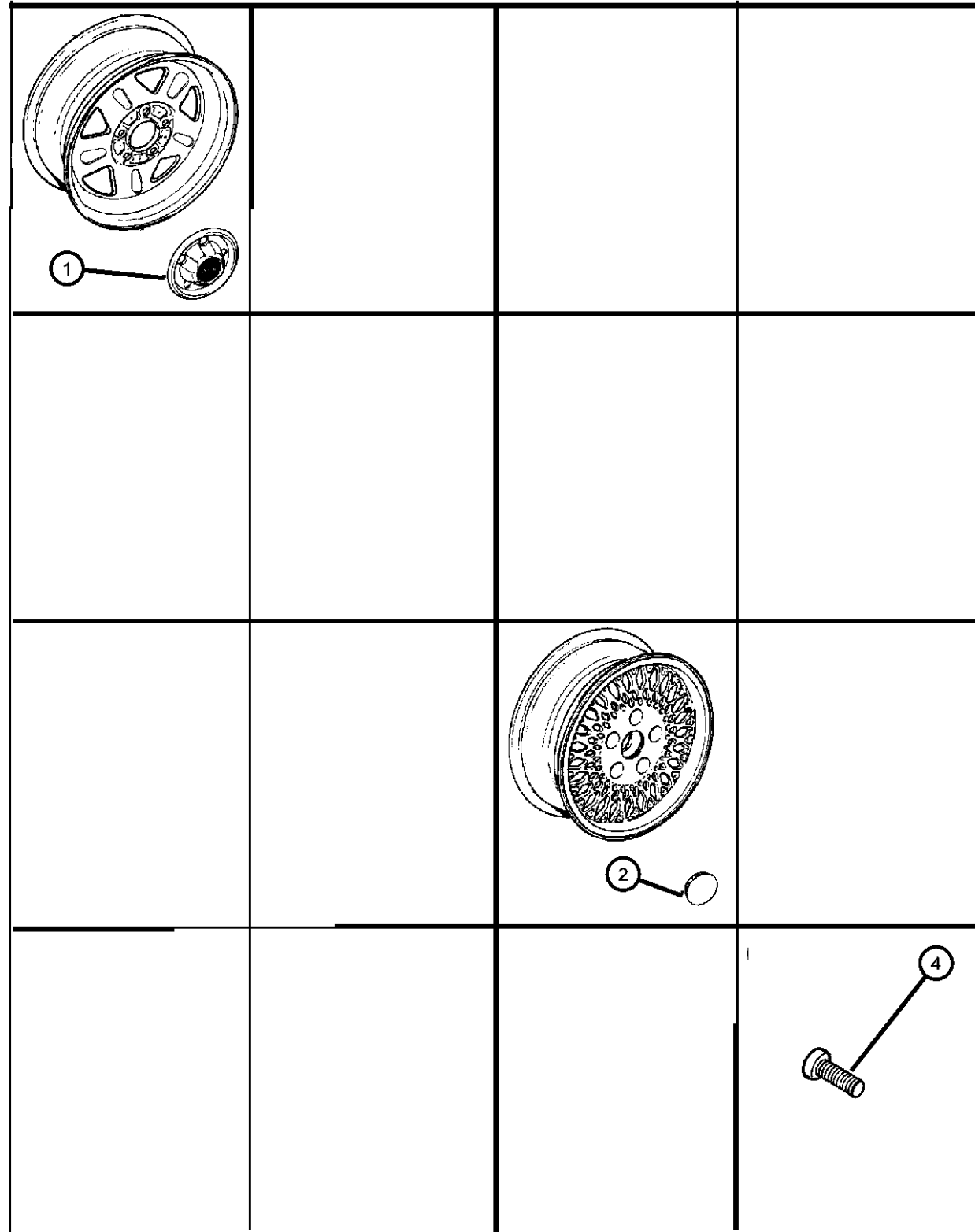
ENC = ENGINE - 2.5L 4 CYL TURBO DIESEL
EPE = ENGINE - 2.5L POWER TECH I-4 Cyl.
ERH = ENGINE - 4.0L POWER TECH I-6

TRANSMISSION

DDD = TRANSMISSION - 5-SPEED HD MANUAL
DDQ = TRANSMISSION - 5-SPEED MANUAL
DGD = TRANSMISSION - 3-SPD. AUTOMATIC,30RH
DGK = TRANSMISSION - 4-SPD. AUTOMATIC,42RE
DGS = TRANSMISSION-4SPD. AUTO,AISIN WARNER
DGT = TRANSMISSION - 4-SPD. AUTOMATIC,46RE
DGW = TRANSMISSION - 4-SPD. AUTOMATIC,44RE
DGX = TRANSMISSION - 4-SPEED AUTOMATIC
DBB = ALL MANUAL TRANSMISSIONS
DGO = ALL AUTOMATIC TRANSMISSIONS

AR = use ase required - = Non illustrated part

Wheel Cap
Figure 22-220



ITEM	PART NUMBER	QTY	LINE	SERIES	BODY	ENGINE	TRANS	TRIM	DESCRIPTION
Note: Sales Code WJW,WJ1,WJ7 = 15x7.0 Aluminum Wheel									
Note: Sales Code WNL,WDF,WDU = 16x7.0 Aluminum Wheel									
1	52089008	4							CAP, Wheel Center, [WJD]
2									CAP, Wheel Center
	5CF34L4A	4							[WJ5]
	5DY07TA8	4							[WNL]
	5DY07TAK	4							[WDF]
		4							[WDU]
	5DY07WTD	4							[WJU]
-3	5DY07TAE	4							CAP, Wheel Center, [WJW]
4	34202523	12							SCREW, Hex Flange Head, M4.8x1.59x11.00

CHEROKEE (XJ)

SERIES

H = Sport
L = SE
P = Classic
S = Limited

LINE

T = JEEP - 2WD
B = JEEP - 2WD (RHD)
J = JEEP - 4WD
U = JEEP - 4WD (RHD)

BODY

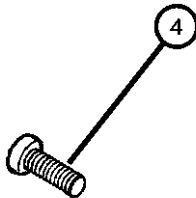
74 = 4 Dr (101.4WB)
72 = 2 Dr (101.4WB)

ENGINE

ENC = ENGINE - 2.5L 4 CYL TURBO DIESEL
EPE = ENGINE - 2.5L POWER TECH I-4 Cyl.
ERH = ENGINE - 4.0L POWER TECH I-6

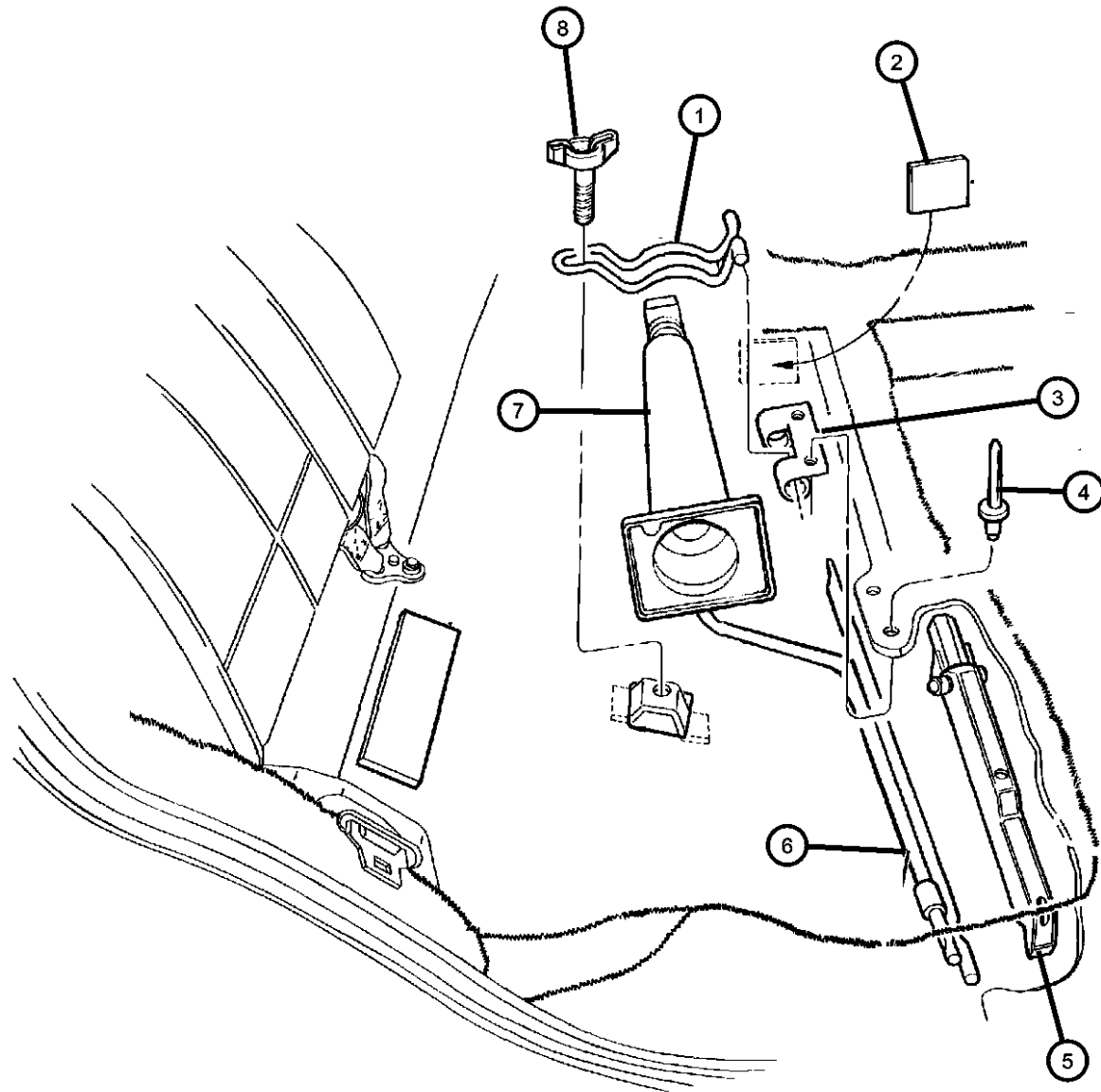
TRANSMISSION

DDD = TRANSMISSION - 5-SPEED HD MANUAL
DDQ = TRANSMISSION - 5-SPEED MANUAL
DGD = TRANSMISSION - 3-SPD. AUTOMATIC,30RH
DGK = TRANSMISSION - 4-SPD. AUTOMATIC,42RE
DGS = TRANSMISSION-4SPD. AUTO,AISIN WARNER
DGT = TRANSMISSION - 4-SPD. AUTOMATIC,46RE
DGW = TRANSMISSION - 4-SPD. AUTOMATIC,44RE
DGX = TRANSMISSION - 4-SPEED AUTOMATIC
DBB = ALL MANUAL TRANSMISSIONS
DGO = ALL AUTOMATIC TRANSMISSIONS



Jack Stowage
Figure 22-310

ITEM	PART NUMBER	QTY	LINE	SERIES	BODY	ENGINE	TRANS	TRIM	DESCRIPTION
1	52003474AB	1							RETAINER, Jack Hold Down
2	52003474AB	1							LABEL, Jack Ok, (NOT SERVICED)
3	55001903	1							BRACKET, Jack
4	34201684	2			74				RIVET, M3.18x2.37
5	52003583	1							WRENCH, Wheel Lug Nut
6	52000221	1							HANDLE, Jack
7	52059104	1							JACK
8	52000354	1							WINGSCREW



CHEROKEE (XJ)

SERIES	LINE
H = Sport	T = JEEP - 2WD
L = SE	B = JEEP - 2WD (RHD)
P = Classic	J = JEEP - 4WD
S = Limited	U = JEEP - 4WD (RHD)

BODY
74 = 4 Dr (101.4WB)
72 = 2 Dr (101.4WB)

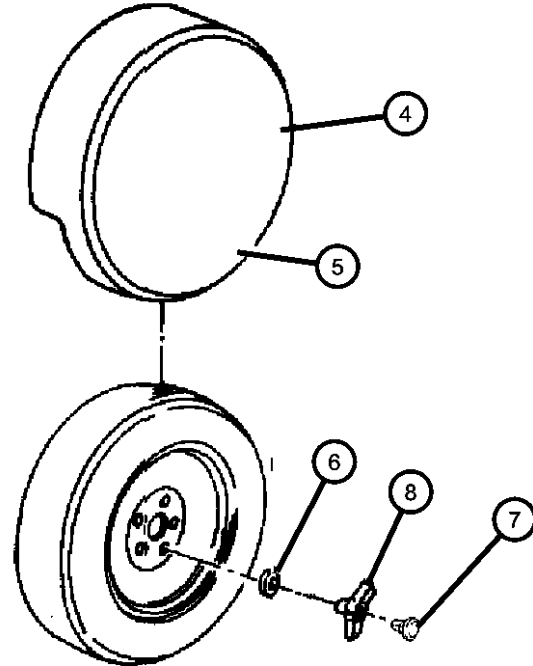
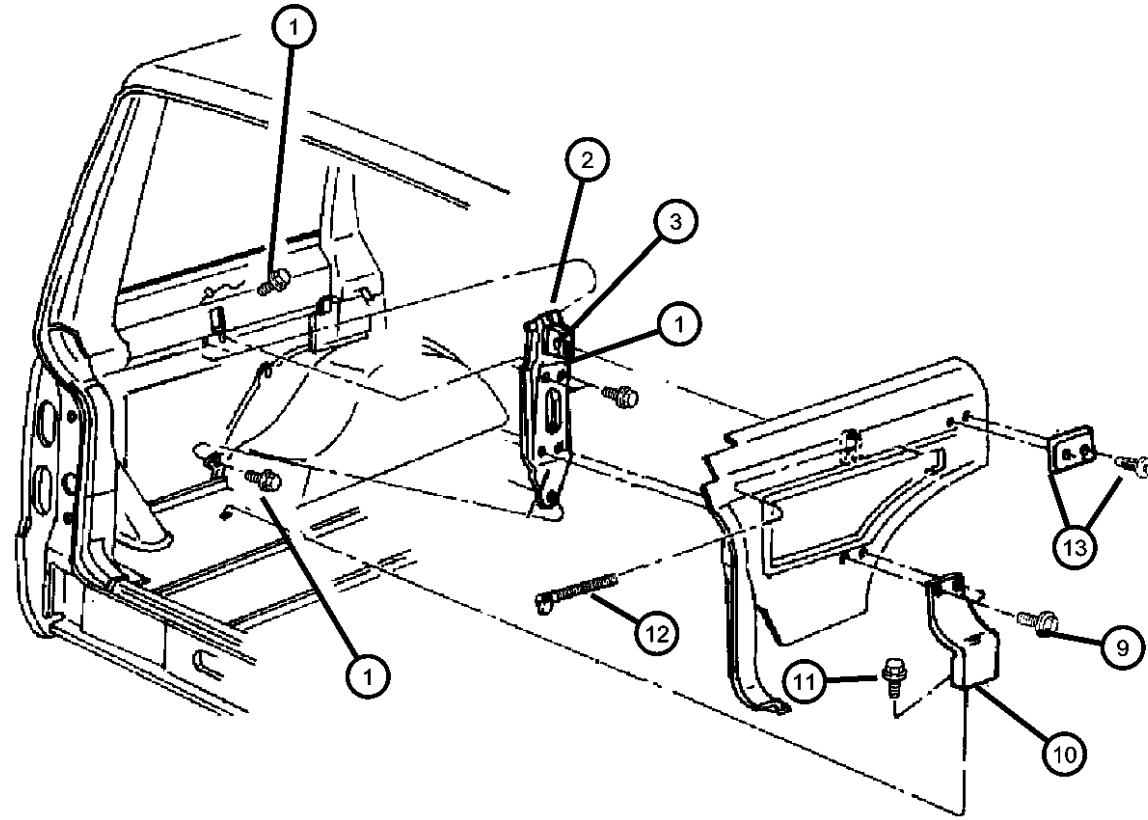
ENGINE
ENC = ENGINE - 2.5L 4 CYL TURBO DIESEL
EPE = ENGINE - 2.5L POWER TECH I-4 Cyl.
ERH = ENGINE - 4.0L POWER TECH I-6

TRANSMISSION
DDD = TRANSMISSION - 5-SPEED HD MANUAL
DDQ = TRANSMISSION - 5-SPEED MANUAL
DGD = TRANSMISSION - 3-SPD. AUTOMATIC,30RH
DGK = TRANSMISSION - 4-SPD. AUTOMATIC,42RE
DGS = TRANSMISSION-4SPD. AUTO,AISIN WARNER
DGT = TRANSMISSION - 4-SPD. AUTOMATIC,46RE
DGW = TRANSMISSION - 4-SPD. AUTOMATIC,44RE
DGX = TRANSMISSION - 4-SPEED AUTOMATIC
DBB = ALL MANUAL TRANSMISSIONS
DGO = ALL AUTOMATIC TRANSMISSIONS

AR = use ase required - = Non illustrated part

2000 XJ

Wheel, Spare
Figure 22-430



ITEM	PART NUMBER	QTY	LINE	SERIES	BODY	ENGINE	TRANS	TRIM	DESCRIPTION
1	34201381	2	J, U						SCREW, Hex Flange Head Tapping, M6x1.00x20.00
2	55235198AB	1			74				BRACKET, Spare Tire, Complete
3	55235195AB	1	J, T, U		72				BRACKET, Swing Bolt Retainer, Top Portion
4	5FM74LAZAC	1							COVER, Inside Spare Tire Gray, Compact Spare
	5FM74VK9AC	1							Tan, Compact Spare
	5FM76LAZAD	1							Gray, Standard
	5FM76VK9AD	1							Tan, Standard
5	5FX791AZAF	1							COVER, Spare Tire, Shade Assy., with Clips Agate, with Compact Spare
	5FX791K9AF	1							Tan, with Compact Spare
	5GW97VK9AA	1							Tan, without Compact Spare
	5GW97LAZAB	1							Agate, without Compact Spare
	5GX041AZAB	1							[AZ]
	5GX041K9AB	1							[K5]
6	52087669	1							CUP, Spare Tire Retention
7	52000733	1							CAP, Spare Tire Wing Nut
8	06503070	1							WINGNUT, Jack and Tire Hold Down
9	34201610	2							SCREW AND WASHER, Hex Head, M6x1x30
10	55000859AB	1							BRACKET, Spare Tire
11	55000859AB	1							SCREW, (NOT SERVICED)

CHEROKEE (XJ)

SERIES	LINE	BODY	ENGINE	TRANSMISSION
H = Sport	T = JEEP - 2WD	74 = 4 Dr (101.4WB)	ENC = ENGINE - 2.5L 4 CYL TURBO DIESEL	DDD = TRANSMISSION - 5-SPEED HD MANUAL
L = SE	B = JEEP - 2WD (RHD)	72 = 2 Dr (101.4WB)	EPE = ENGINE - 2.5L POWER TECH I-4 Cyl.	DDQ = TRANSMISSION - 5-SPEED MANUAL
P = Classic	J = JEEP - 4WD		ERH = ENGINE - 4.0L POWER TECH I-6	DGD = TRANSMISSION - 3-SPD. AUTOMATIC,30RH
S = Limited	U = JEEP - 4WD (RHD)			DGK = TRANSMISSION - 4-SPD. AUTOMATIC,42RE

BODY
74 = 4 Dr (101.4WB)
72 = 2 Dr (101.4WB)

ENGINE
ENC = ENGINE - 2.5L 4 CYL TURBO DIESEL
EPE = ENGINE - 2.5L POWER TECH I-4 Cyl.
ERH = ENGINE - 4.0L POWER TECH I-6

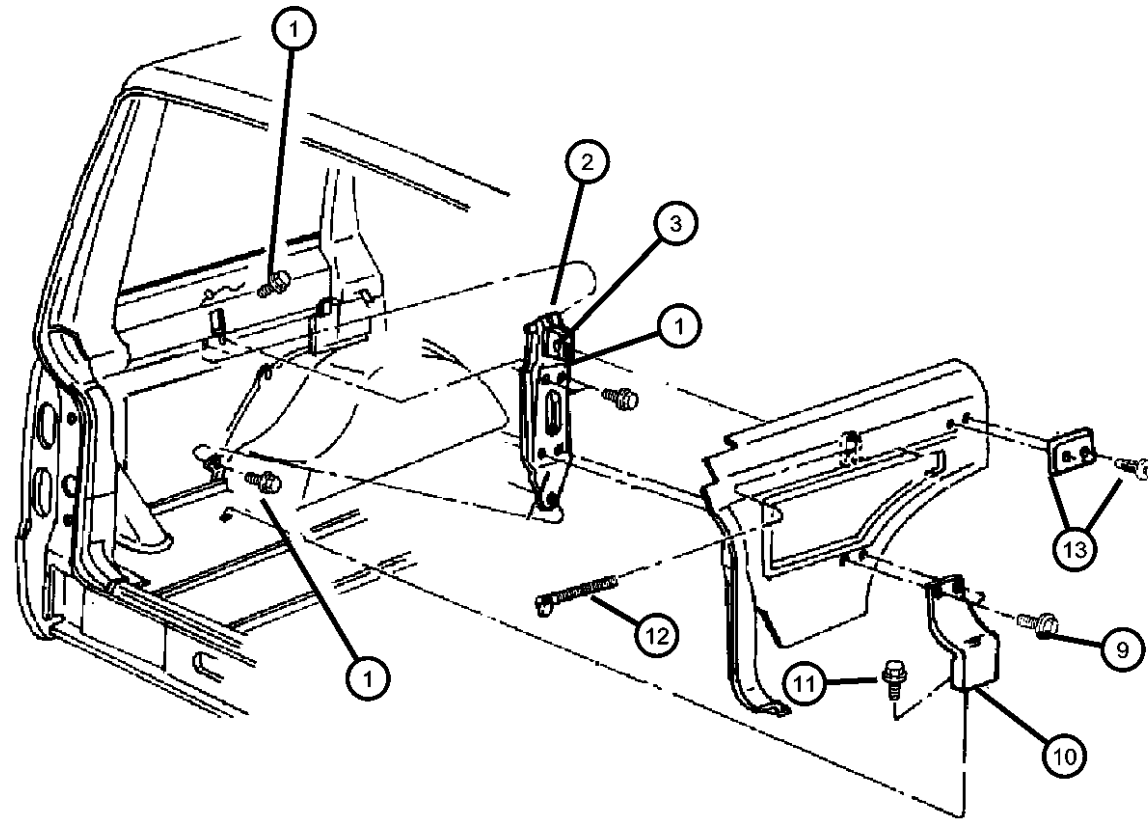
TRANSMISSION
DDD = TRANSMISSION - 5-SPEED HD MANUAL
DDQ = TRANSMISSION - 5-SPEED MANUAL
DGD = TRANSMISSION - 3-SPD. AUTOMATIC,30RH
DGK = TRANSMISSION - 4-SPD. AUTOMATIC,42RE
DGS = TRANSMISSION-4SPD. AUTO,AISIN WARNER
DGT = TRANSMISSION - 4-SPD. AUTOMATIC,46RE
DGW = TRANSMISSION - 4-SPD. AUTOMATIC,44RE
DGX = TRANSMISSION - 4-SPEED AUTOMATIC
DBB = ALL MANUAL TRANSMISSIONS
DGO = ALL AUTOMATIC TRANSMISSIONS

AR = use ase required - = Non illustrated part

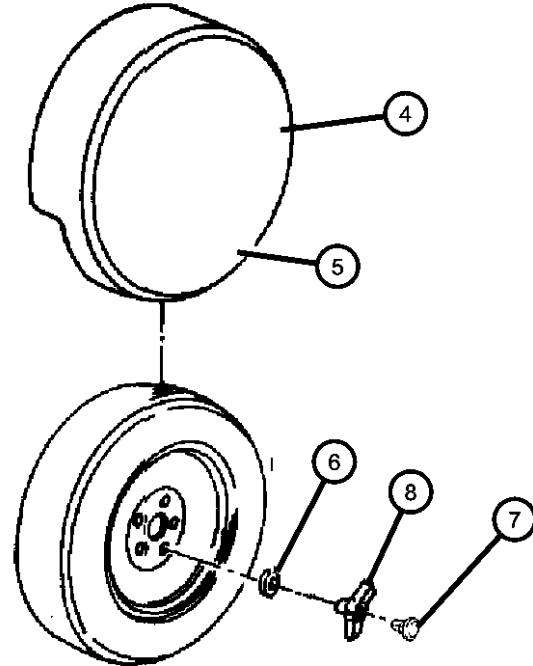
2000 XJ

Wheel, Spare
Figure 22-430

ITEM	PART NUMBER	QTY	LINE	SERIES	BODY	ENGINE	TRANS	TRIM	DESCRIPTION
------	-------------	-----	------	--------	------	--------	-------	------	-------------



12	55235181AC	1							BOLT, Spare Wheel Hold Down
13	55235181AC	1							REST, Spare Tire, (NOT SERVICED)



CHEROKEE (XJ)

SERIES	LINE
H = Sport	T = JEEP - 2WD
L = SE	B = JEEP - 2WD (RHD)
P = Classic	J = JEEP - 4WD
S = Limited	U = JEEP - 4WD (RHD)

BODY
74 = 4 Dr (101.4WB)
72 = 2 Dr (101.4WB)

ENGINE
ENC = ENGINE - 2.5L 4 CYL TURBO DIESEL
EPE = ENGINE - 2.5L POWER TECH I-4 Cyl.
ERH = ENGINE - 4.0L POWER TECH I-6

TRANSMISSION
DDD = TRANSMISSION - 5-SPEED HD MANUAL
DDQ = TRANSMISSION - 5-SPEED MANUAL
DGD = TRANSMISSION - 3-SPD. AUTOMATIC,30RH
DGK = TRANSMISSION - 4-SPD. AUTOMATIC,42RE
DGS = TRANSMISSION-4SPD. AUTO,AISIN WARNER
DGT = TRANSMISSION - 4-SPD. AUTOMATIC,46RE
DGW = TRANSMISSION - 4-SPD. AUTOMATIC,44RE
DGX = TRANSMISSION - 4-SPEED AUTOMATIC
DBB = ALL MANUAL TRANSMISSIONS
DGO = ALL AUTOMATIC TRANSMISSIONS

AR = use ase required - = Non illustrated part

2000 XJ

Group - 23D

Wiper/Lock Cylinder and Keys

Group - 23D Wiper/Lock Cylinder and Keys

Group-Fig. No.

Illustration Title

Lock Cylinders and Keys

Lock Cylinders & Keys.....Fig. 23D - 120

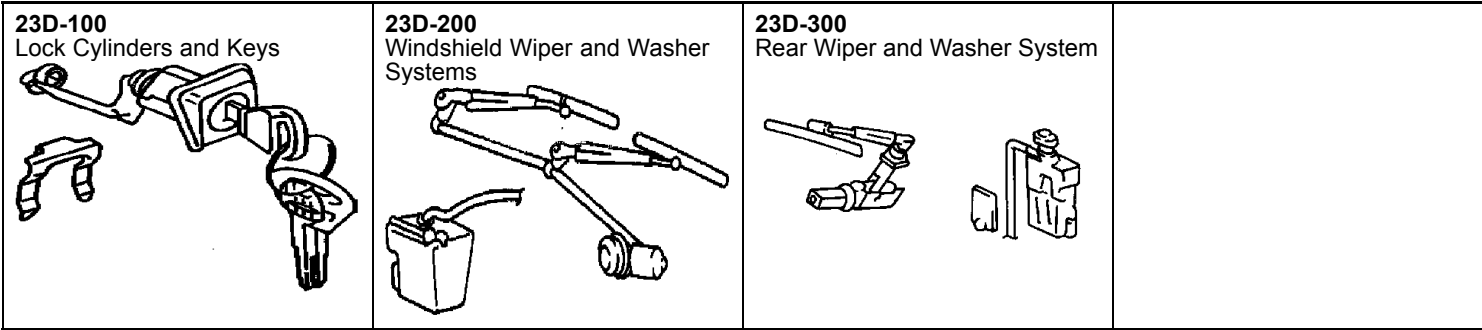
Windshield Wiper and Washer Systems

Windshield Wiper & Washer L.H.D.....Fig. 23D - 220

Windshield Wiper & Washer R.H.D.....Fig. 23D - 222

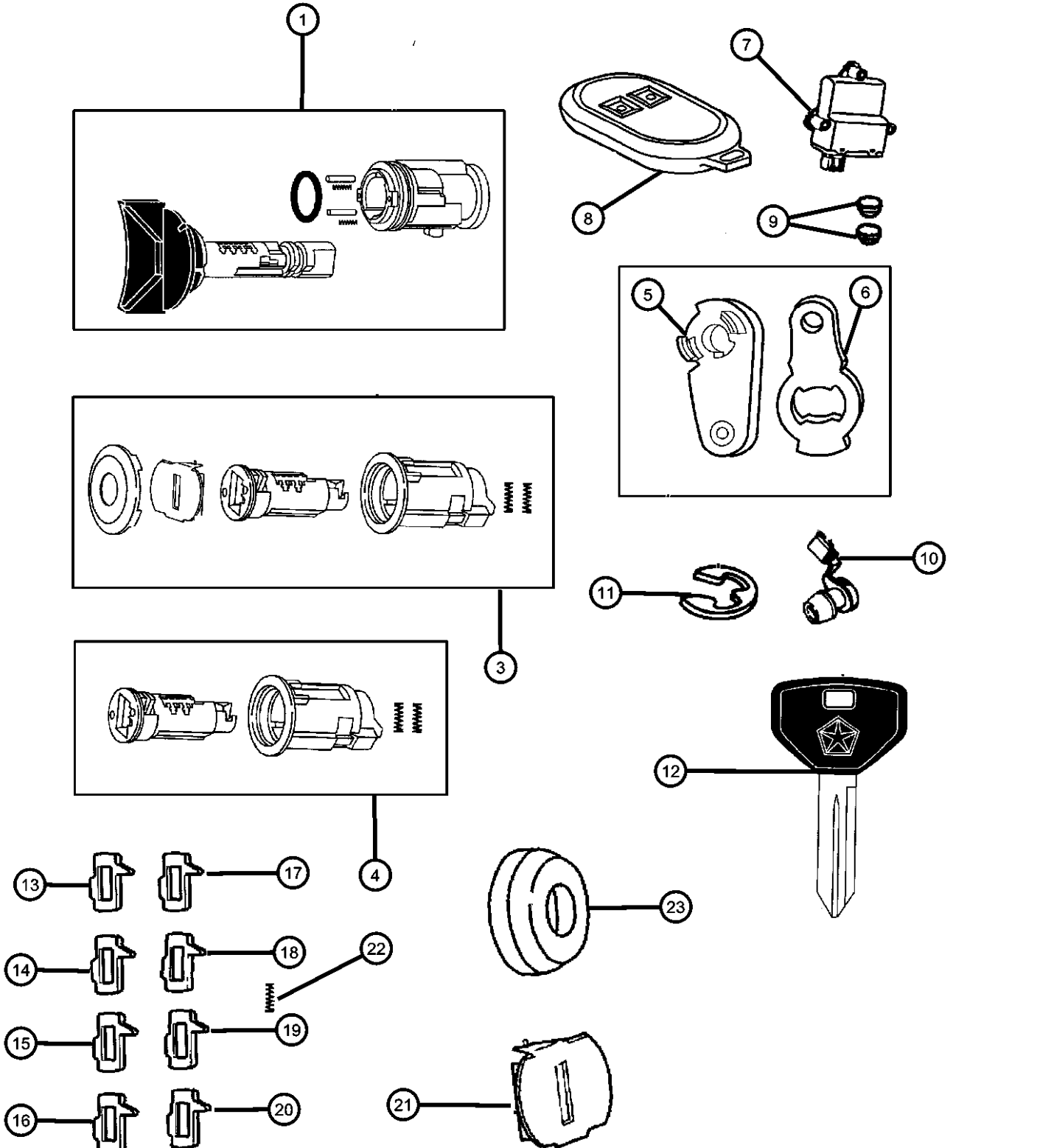
Rear Wiper and Washer System

Rear Wiper & Washer.....Fig. 23D - 320



Lock Cylinders & Keys
Figure 23D-120

ITEM	PART NUMBER	QTY	LINE	SERIES	BODY	ENGINE	TRANS	TRIM	DESCRIPTION
------	-------------	-----	------	--------	------	--------	-------	------	-------------



1	05003843AA	1							CYLINDER, Ignition Lock
-2	04864651	1							CYLINDER, Door Lock
3	04778125	AR							LOCK CYLINDER, Door/Liftgate
4	04746315	AR							CYLINDER, Glove Box Lock
5	55075824	1							LEVER, Door Lock Cylinder
6	55075838	1							LEVER, Liftgate Lock Cylinder
7									MODULE PACKAGE, Keyless Entry
	05003378AC	1							EUROPE
	05003382AB	1							TRANSMITTER, Keyless Entry
8									W/o Immobilizer Driver # 1-black
	56036859AB	2							W/Immobilizer Driver #2 grey
	56036862AB	2							BATTERY, Transmitter
9	83504802	2							CLIP, Latch
10									Purple
	04658444	1							Orange
	04658445	1							CLIP, Retainer
11	06026125	1							KEY, Master
12									Century 'Jeep'
	05010366AA	2							Oval Key
	05013807AA	1							TUMBLER, Ignition Number 1, Sidebar
	05013809AA	2							TUMBLER, Ignition Number 2, Sidebar
13	05010879AA	1							TUMBLER, Ignition Number 3, Sidebar
14	05010880AA	1							
15	05010881AA	1							

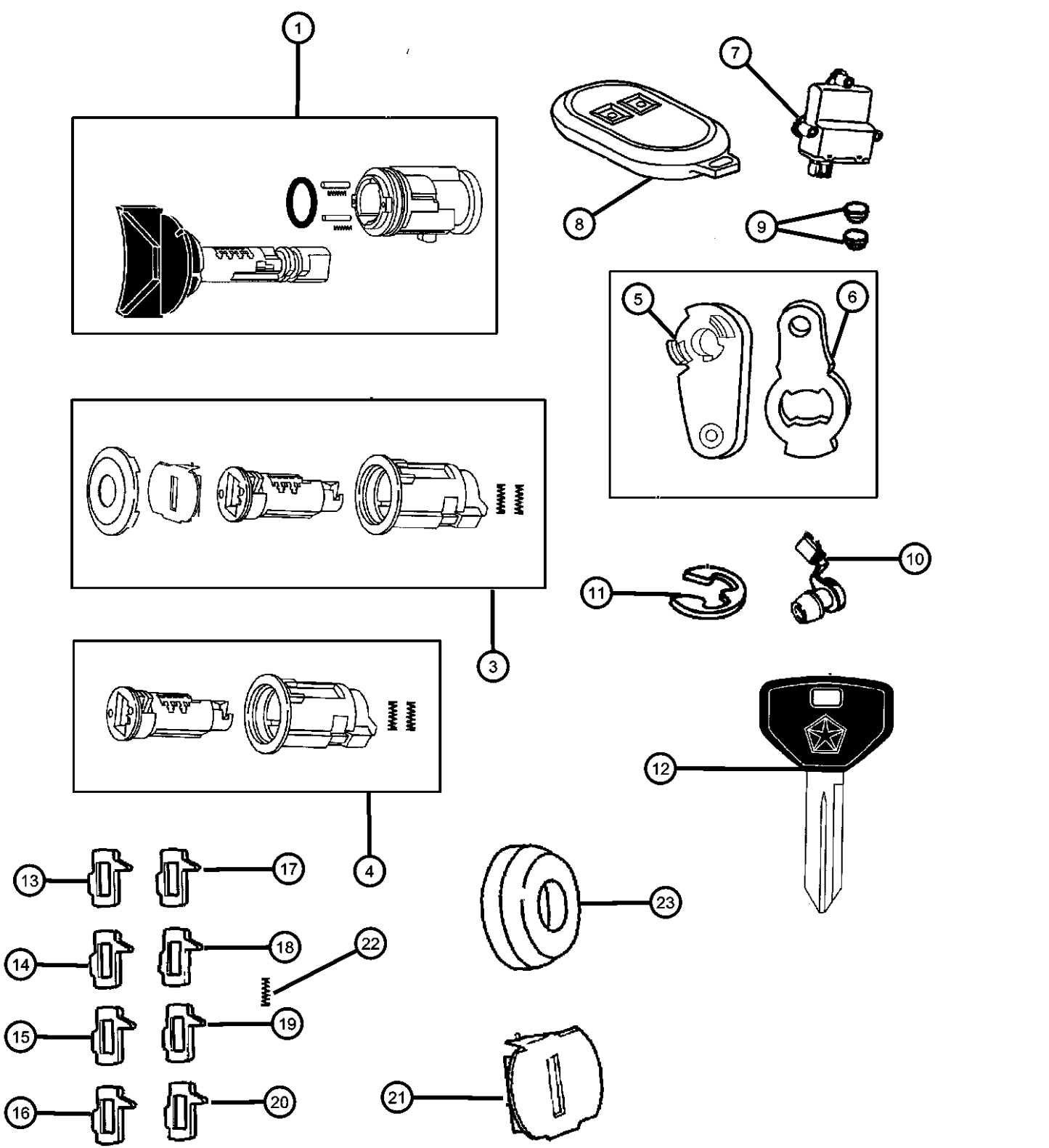
CHEROKEE (XJ)

SERIES	LINE	BODY	ENGINE	TRANSMISSION
H = Sport	T = JEEP - 2WD	74 = 4 Dr (101.4WB)	ENC = ENGINE - 2.5L 4 CYL TURBO DIESEL	DDD = TRANSMISSION - 5-SPEED HD MANUAL
L = SE	B = JEEP - 2WD (RHD)	72 = 2 Dr (101.4WB)	EPE = ENGINE - 2.5L POWER TECH I-4 Cyl.	DDQ = TRANSMISSION - 5-SPEED MANUAL
P = Classic	J = JEEP - 4WD		ERH = ENGINE - 4.0L POWER TECH I-6	DGD = TRANSMISSION - 3-SPD. AUTOMATIC,30RH
S = Limited	U = JEEP - 4WD (RHD)			DGK = TRANSMISSION - 4-SPD. AUTOMATIC,42RE
				DGS = TRANSMISSION-4SPD. AUTO,AISIN WARNER
				DGT = TRANSMISSION - 4-SPD. AUTOMATIC,46RE
				DGW = TRANSMISSION - 4-SPD. AUTOMATIC,44RE
				DGX = TRANSMISSION - 4-SPEED AUTOMATIC
				DBB = ALL MANUAL TRANSMISSIONS
				DGO = ALL AUTOMATIC TRANSMISSIONS

AR = use ase required - = Non illustrated part

Lock Cylinders & Keys
Figure 23D-120

ITEM	PART NUMBER	QTY	LINE	SERIES	BODY	ENGINE	TRANS	TRIM	DESCRIPTION
------	-------------	-----	------	--------	------	--------	-------	------	-------------



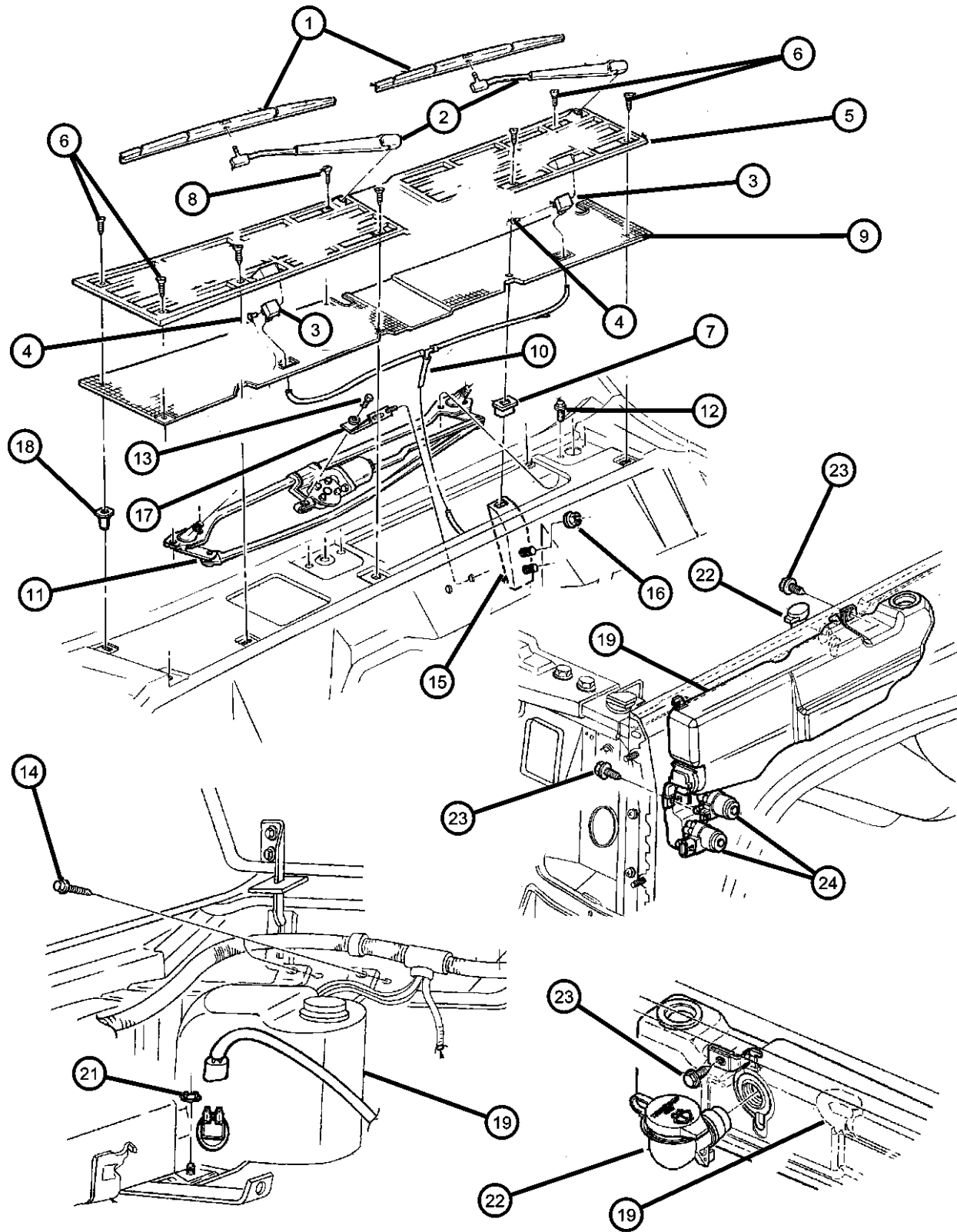
16	05010882AA	1							TUMBLER, Ignition Number 4, Sidebar
17	04778117	1							TUMBLER, Door and Deck Number 1, Wide
18	04778118	1							TUMBLER, Door and Deck Number 2, Wide
19	04778119	1							TUMBLER, Door and Deck Number 3, Wide
20	04778120	1							TUMBLER, Door and Deck Number 4, Wide
21	04778150	1							SHUTTER, Door, Deck and Liftgate, Bright
22	04778121	1							SPRING, Door and Deck Tumbler
23	04882178	1							CAP, Door Lock Cylinder
-24	56042844AA	1							LABEL, General Information
-25	55314965AB	1							TRIM RING, Ignition Key Cylinder
-26	05003378AD	1							MODULE PACKAGE, Keyless Entry
-27	05003378AD	1							MODULE PACKAGE, Keyless Entry
-28	55235561	2							GASKET, Door Lock Cylinder, Black
-29	55295904	2							RETAINER, Door Cylinder To Handle
-30	55295904	2							RETAINER, Door Cylinder To Handle

CHEROKEE (XJ)

SERIES	LINE	BODY	ENGINE	TRANSMISSION
H = Sport	T = JEEP - 2WD	74 = 4 Dr (101.4WB)	ENC = ENGINE - 2.5L 4 CYL TURBO DIESEL	DDD = TRANSMISSION - 5-SPEED HD MANUAL
L = SE	B = JEEP - 2WD (RHD)	72 = 2 Dr (101.4WB)	EPE = ENGINE - 2.5L POWER TECH I-4 Cyl.	DDQ = TRANSMISSION - 5-SPEED MANUAL
P = Classic	J = JEEP - 4WD		ERH = ENGINE - 4.0L POWER TECH I-6	DGD = TRANSMISSION - 3-SPD. AUTOMATIC,30RH
S = Limited	U = JEEP - 4WD (RHD)			DGK = TRANSMISSION - 4-SPD. AUTOMATIC,42RE
				DGS = TRANSMISSION-4SPD. AUTO,AISIN WARNER
				DGT = TRANSMISSION - 4-SPD. AUTOMATIC,46RE
				DGW = TRANSMISSION - 4-SPD. AUTOMATIC,44RE
				DGX = TRANSMISSION - 4-SPEED AUTOMATIC
				DBB = ALL MANUAL TRANSMISSIONS
				DGO = ALL AUTOMATIC TRANSMISSIONS

AR = use ase required - = Non illustrated part

**Windshield Wiper & Washer L.H.D.
Figure 23D-220**



ITEM	PART NUMBER	QTY	LINE	SERIES	BODY	ENGINE	TRANS	TRIM	DESCRIPTION
1									BLADE, Wiper
	55155650	2	J, T						Mopar Alternative Flat Blade Set
	WBFLAT01AA								Mopar Alternative Winter Wiper Blades
	WBW00018AD								Mopar V-Line Alternative Part
	WB000018AE								
	55155652	2	B, U						
2	55155649	2	J, T						ARM, Wiper
3	56001601	2							NOZZLE, Washer, Windshield
4	J4004262	2							PIN, Push, .15x.41
5	55008832AD	1	J, T						GRILLE, Cowl Panel
6	34201230	7							SCREW, Round Washer Head AB
7	34201872	AR							NUT, Snap In, M4.2 x 1.41
8	34201872	AR							SCREW, .164-18x.625, (NOT SERVICED)
9	55008833	1	J, T						SCREEN, Cowl
10	55155041AC	1							HOSE, Windshield Washer
11	55155297AB	1	J, T						MOTOR, Wiper
12	34201496	4							SCREW, Pan Plastite, M7.25x3.18x25.00
13	34201686	2							BOLT, Hex Flange Head, M12x1.18x35
14	06101786	2							SCREW, Self Tapping, M6x1x15
15	55235370AB	1	J, T						BRACKET, Grille To Cowl Extension
16	34201358	2							NUT AND WASHER, Hex Nut-Sealing Washer, M6 x 1.00
17	55003036	1	J, T						BRACKET, Wiper Motor, w/o Grommet

CHEROKEE (XJ)

SERIES	LINE
H = Sport	T = JEEP - 2WD
L = SE	B = JEEP - 2WD (RHD)
P = Classic	J = JEEP - 4WD
S = Limited	U = JEEP - 4WD (RHD)

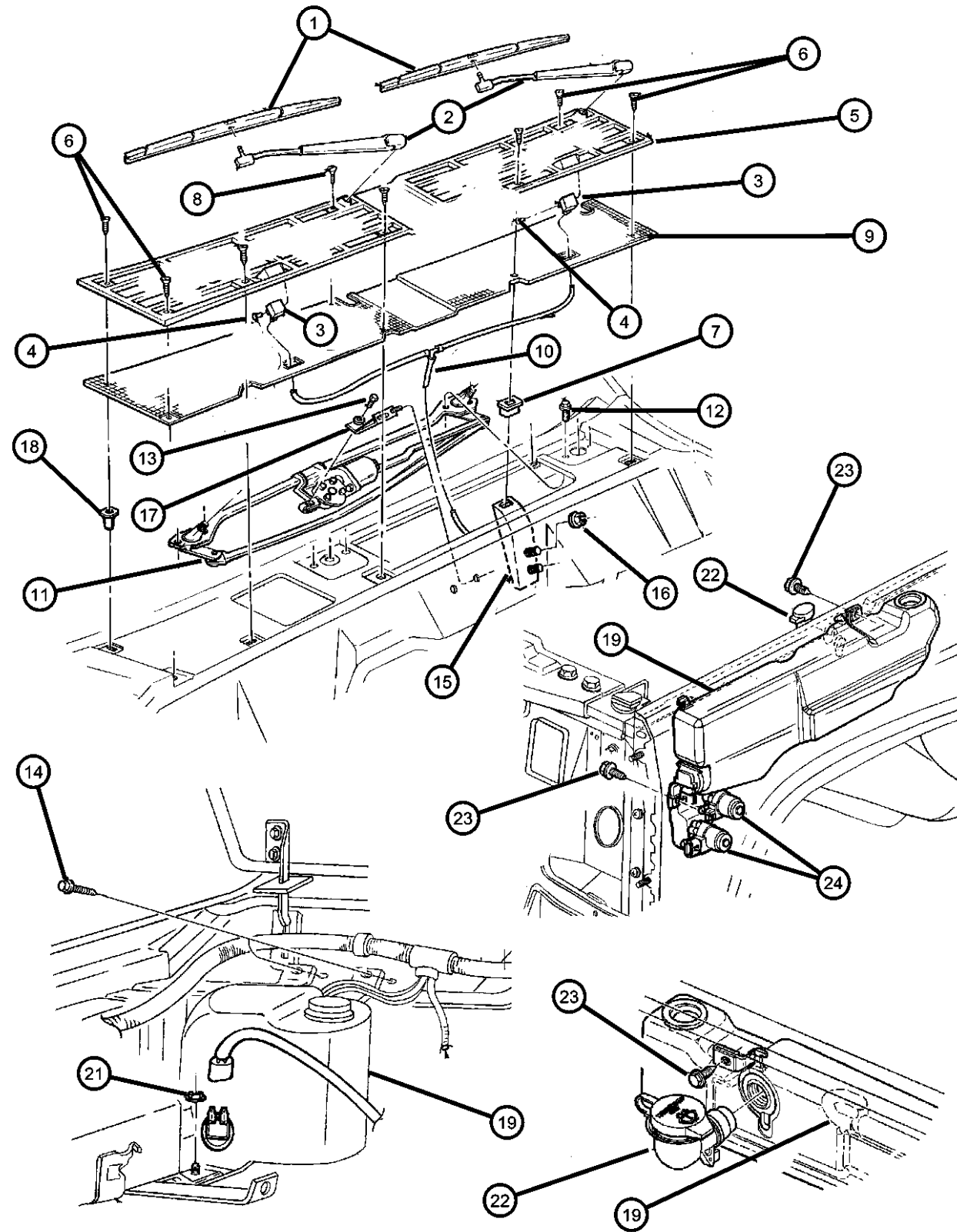
BODY
74 = 4 Dr (101.4WB)
72 = 2 Dr (101.4WB)

ENGINE
ENC = ENGINE - 2.5L 4 CYL TURBO DIESEL
EPE = ENGINE - 2.5L POWER TECH I-4 Cyl.
ERH = ENGINE - 4.0L POWER TECH I-6

TRANSMISSION
DDD = TRANSMISSION - 5-SPEED HD MANUAL
DDQ = TRANSMISSION - 5-SPEED MANUAL
DGD = TRANSMISSION - 3-SPD. AUTOMATIC,30RH
DGK = TRANSMISSION - 4-SPD. AUTOMATIC,42RE
DGS = TRANSMISSION-4SPD. AUTO,AISIN WARNER
DGT = TRANSMISSION - 4-SPD. AUTOMATIC,46RE
DGW = TRANSMISSION - 4-SPD. AUTOMATIC,44RE
DGX = TRANSMISSION - 4-SPEED AUTOMATIC
DBB = ALL MANUAL TRANSMISSIONS
DGO = ALL AUTOMATIC TRANSMISSIONS

AR = use ase required - = Non illustrated part

**Windshield Wiper & Washer L.H.D.
Figure 23D-220**



ITEM	PART NUMBER	QTY	LINE	SERIES	BODY	ENGINE	TRANS	TRIM	DESCRIPTION
18	00441263	2							NUT, Push
19									RESERVOIR, Washer
	04778344	1							w/Sensor
	04778345	1							w/o Sensor
-20	55154979	1							SENSOR, Washer Fluid Level
21	06100047	1							NUT AND WASHER, Hex Nut-Coned Washer, M6 x 1.00
22	55154812AB	1							FILLER NECK AND CAP, Washer Reservoir
23	06033567	2							BOLT AND WASHER, Hex Head, .19-16x.75
24									PUMP, Washer, Windshield
	04778347	1							Front
	04778348	1							Rear
-25									GROMMET, Washer Reservoir
	04778346	1							Sensor/Pump
	04778350	1							Filler Neck

CHEROKEE (XJ)

SERIES	LINE
H = Sport	T = JEEP - 2WD
L = SE	B = JEEP - 2WD (RHD)
P = Classic	J = JEEP - 4WD
S = Limited	U = JEEP - 4WD (RHD)

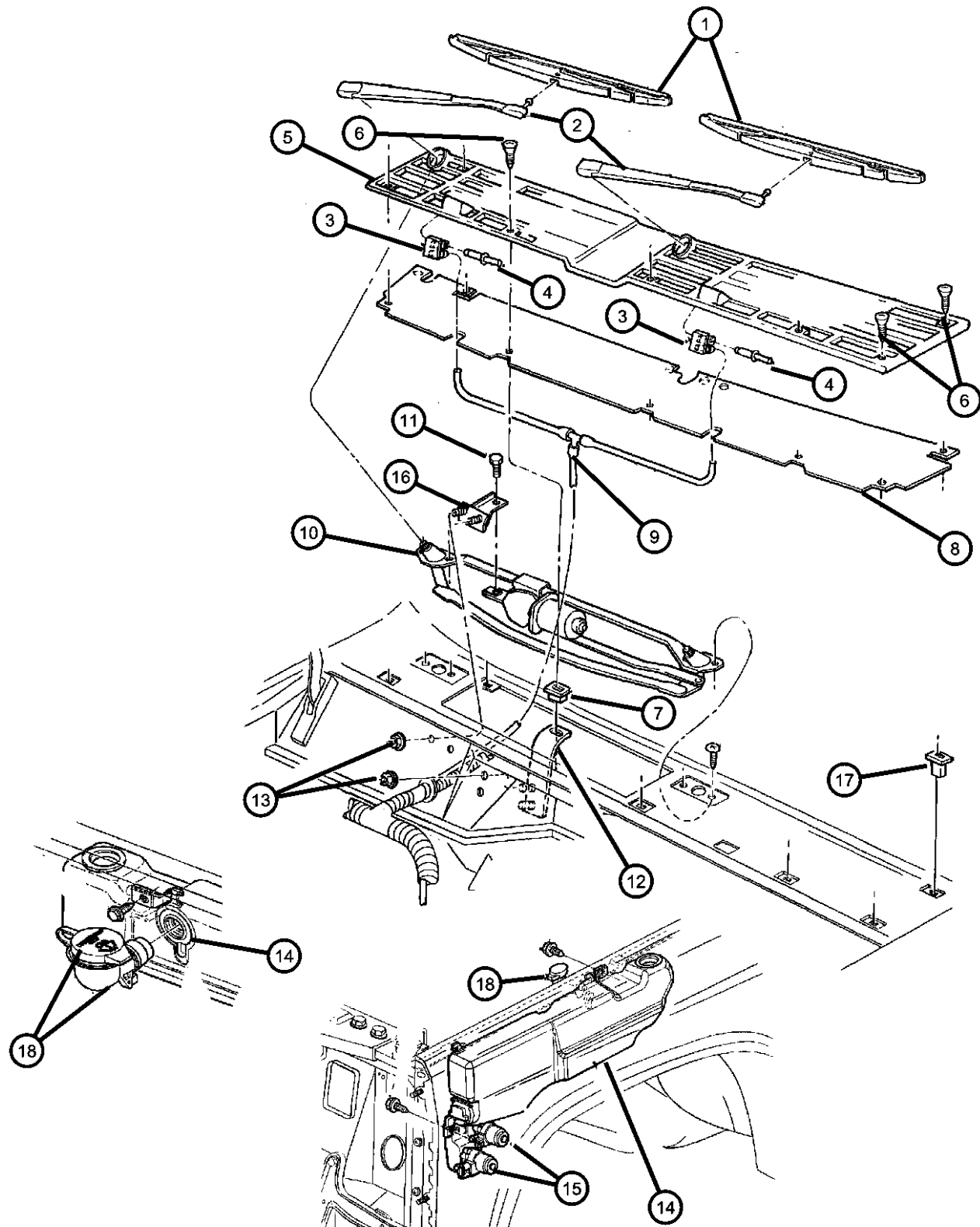
BODY
74 = 4 Dr (101.4WB)
72 = 2 Dr (101.4WB)

ENGINE
ENC = ENGINE - 2.5L 4 CYL TURBO DIESEL
EPE = ENGINE - 2.5L POWER TECH I-4 Cyl.
ERH = ENGINE - 4.0L POWER TECH I-6

TRANSMISSION
DDD = TRANSMISSION - 5-SPEED HD MANUAL
DDQ = TRANSMISSION - 5-SPEED MANUAL
DGD = TRANSMISSION - 3-SPD. AUTOMATIC,30RH
DGK = TRANSMISSION - 4-SPD. AUTOMATIC,42RE
DGS = TRANSMISSION-4SPD. AUTO,AISIN WARNER
DGT = TRANSMISSION - 4-SPD. AUTOMATIC,46RE
DGW = TRANSMISSION - 4-SPD. AUTOMATIC,44RE
DGX = TRANSMISSION - 4-SPEED AUTOMATIC
DBB = ALL MANUAL TRANSMISSIONS
DGO = ALL AUTOMATIC TRANSMISSIONS

AR = use ase required - = Non illustrated part

**Windshield Wiper & Washer R.H.D.
Figure 23D-222**



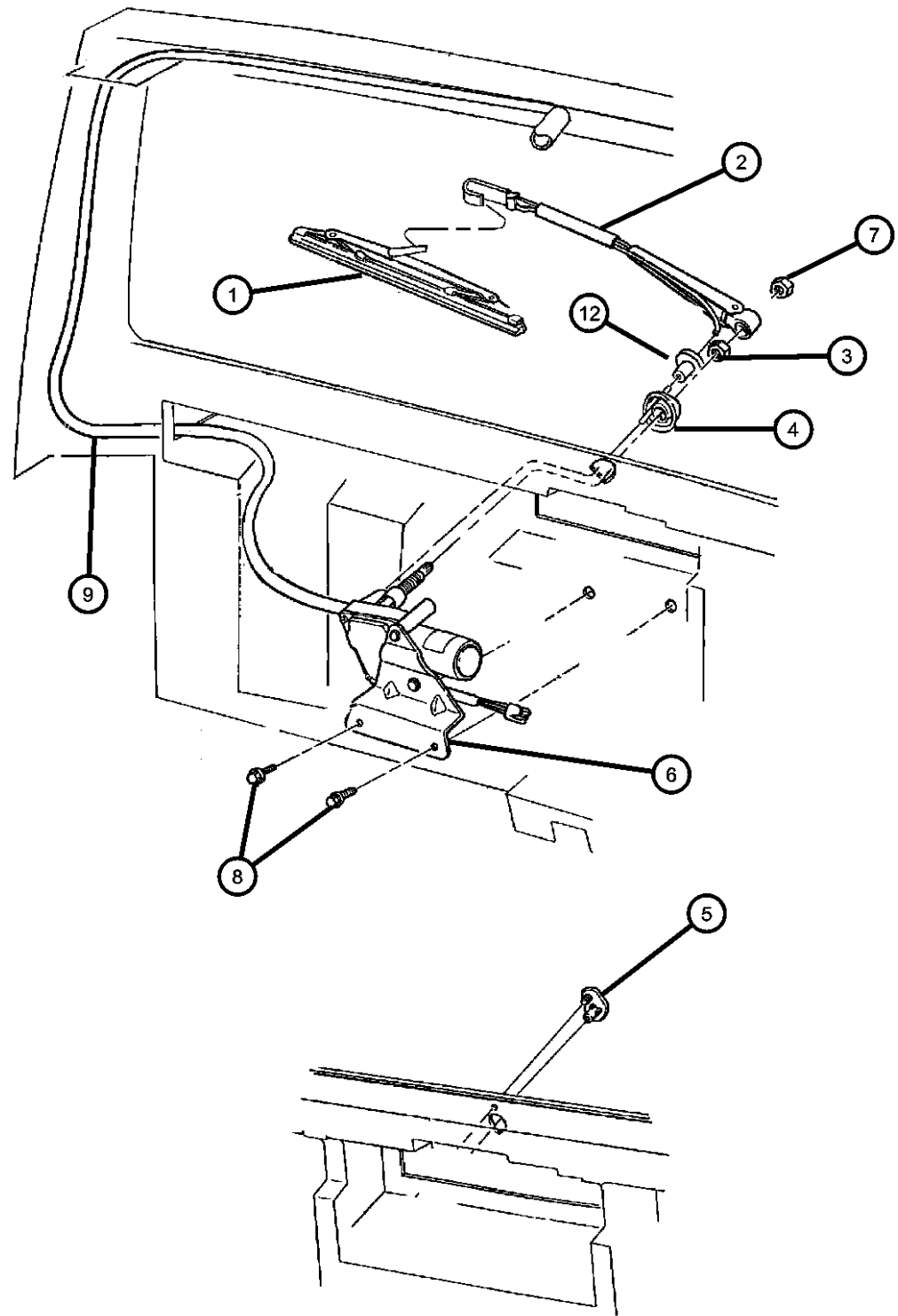
ITEM	PART NUMBER	QTY	LINE	SERIES	BODY	ENGINE	TRANS	TRIM	DESCRIPTION
1	55155652	2	B, U						BLADE, Wiper
2	55155651	2	B, U						ARM, Wiper
3	56001601	2							NOZZLE, Washer, Windshield
4	J4004262	2							PIN, Push, .15x.41
5	55027696	1	B, U						GRILLE, Cowl Panel
6	34201230	7							SCREW, Round Washer Head AB
7	34201872	AR							NUT, Snap In, M4.2 x 1.41
8	55027697	1	B, U						SCREEN, Cowl
9	55027697	1							HOSE, Windshield Washer, 0156 ID=4MM, (NOT SERVICED)
10	55155300AB	1	B, U						MOTOR, Wiper
11	34201686	2							BOLT, Hex Flange Head, M12x1.18x35
12	55235371AB	1	B, U						BRACKET, Extension to Cowl Top
13	34201358	2							NUT AND WASHER, Hex Nut-Sealing Washer, M6 x 1.00
14	04778344	1							RESERVOIR, Washer, w/Sensor
15	04778347	1							PUMP, Washer, Windshield, w/o Sensor
16	55154763	1	B, U						BRACKET, Wiper Motor
17	J4005242	5							NUT, Push
18	55154812AB	1							FILLER NECK AND CAP, Washer Reservoir
-19	04778346	1							GROMMET, Washer Reservoir, Sensor/Pump
-20	04778350	1							GROMMET, Washer Reservoir, Filler Neck
-21	55154979	1							SENSOR, Washer Fluid Level

CHEROKEE (XJ)

SERIES	LINE	BODY	ENGINE	TRANSMISSION
H = Sport	T = JEEP - 2WD	74 = 4 Dr (101.4WB)	ENC = ENGINE - 2.5L 4 CYL TURBO DIESEL	DDD = TRANSMISSION - 5-SPEED HD MANUAL
L = SE	B = JEEP - 2WD (RHD)	72 = 2 Dr (101.4WB)	EPE = ENGINE - 2.5L POWER TECH I-4 Cyl.	DDQ = TRANSMISSION - 5-SPEED MANUAL
P = Classic	J = JEEP - 4WD		ERH = ENGINE - 4.0L POWER TECH I-6	DGD = TRANSMISSION - 3-SPD. AUTOMATIC,30RH
S = Limited	U = JEEP - 4WD (RHD)			DGK = TRANSMISSION - 4-SPD. AUTOMATIC,42RE
				DGS = TRANSMISSION-4SPD. AUTO,AISIN WARNER
				DGT = TRANSMISSION - 4-SPD. AUTOMATIC,46RE
				DGW = TRANSMISSION - 4-SPD. AUTOMATIC,44RE
				DGX = TRANSMISSION - 4-SPEED AUTOMATIC
				DBB = ALL MANUAL TRANSMISSIONS
				DGO = ALL AUTOMATIC TRANSMISSIONS

AR = use ase required - = Non illustrated part

Rear Wiper & Washer
Figure 23D-320



ITEM	PART NUMBER	QTY	LINE	SERIES	BODY	ENGINE	TRANS	TRIM	DESCRIPTION
1	55154920AB WBW00013AD WB000013AE	1							BLADE, Wiper Mopar Alternative Winter Wiper Blades Mopar V-Line Alternative Part
2	55154919AB	1							ARM, Wiper
3	06502299	1							CAPS, M16x1.00
4	55154942AB	1							BEZEL, Liftgate Wiper Motor
5	55154939AB	1							PLUG, Liftgate
6	55154944AB	1							MOTOR, Wiper
7	06500165	1							NUT, Wiper Arm
8	06101780	3							SCREW, M6x1x25
9	55155041AC	1							HOSE, Windshield Washer, Check Valve & Grommet Included
-10	55155024	1							CHECK VALVE, Washer
-11	56009766AB	1							GROMMET, Body Wiring, Liftgate to Body
12									CLIP, Tube
	32000404	1			B, U				
	34201633	1			J, T				
-13	04778344	1							RESERVOIR, Washer
-14	04778348	1							PUMP, Washer, Windshield

CHEROKEE (XJ)

SERIES	LINE	BODY	ENGINE	TRANSMISSION
H = Sport	T = JEEP - 2WD	74 = 4 Dr (101.4WB)	ENC = ENGINE - 2.5L 4 CYL TURBO DIESEL	DDD = TRANSMISSION - 5-SPEED HD MANUAL
L = SE	B = JEEP - 2WD (RHD)	72 = 2 Dr (101.4WB)	EPE = ENGINE - 2.5L POWER TECH I-4 Cyl.	DDQ = TRANSMISSION - 5-SPEED MANUAL
P = Classic	J = JEEP - 4WD		ERH = ENGINE - 4.0L POWER TECH I-6	DGD = TRANSMISSION - 3-SPD. AUTOMATIC,30RH
S = Limited	U = JEEP - 4WD (RHD)			DGK = TRANSMISSION - 4-SPD. AUTOMATIC,42RE
				DGS = TRANSMISSION-4SPD. AUTO,AISIN WARNER
				DGT = TRANSMISSION - 4-SPD. AUTOMATIC,46RE
				DGW = TRANSMISSION - 4-SPD. AUTOMATIC,44RE
				DGX = TRANSMISSION - 4-SPEED AUTOMATIC
				DBB = ALL MANUAL TRANSMISSIONS
				DGO = ALL AUTOMATIC TRANSMISSIONS

AR = use ase required - = Non illustrated part

Group - 24

Air Conditioning & Heater

Group - 24 Air Conditioning & Heater

Illustration Title

Group-Fig. No.

Air Conditioner and Heater Units

Hevac Unit Fig. 24 - 110

Air Conditioner and Heater Plumbing

Plumbing, Heater 2.5,4.0L Engine,LHD Fig. 24 - 210
 Plumbing, Heater 2.5,4.0L Engine, RHD Fig. 24 - 220
 Plumbing, Heater 2.5L Diesel Engine, LHD Fig. 24 - 230
 Plumbing, Heater 2.5L Diesel Engine, RHD Fig. 24 - 240
 Plumbing, Air Conditioning 2.5,4.0L Engine, LHD Fig. 24 - 250
 Plumbing, Air Conditioning 2.5L Gas Engine, RHD Fig. 24 - 260
 Plumbing, Air Conditioning, 4.0L Engine, RHD Fig. 24 - 270
 Plumbing, Air Conditioning, 2.5L Diesel Engine, LHD Fig. 24 - 280
 Plumbing, Air Conditioning, 2.5L Diesel Engine, RHD Fig. 24 - 290

Air Conditioner and Heater Controls

Control, Heater and Air Conditioning Fig. 24 - 310

Air Conditioning Compressor

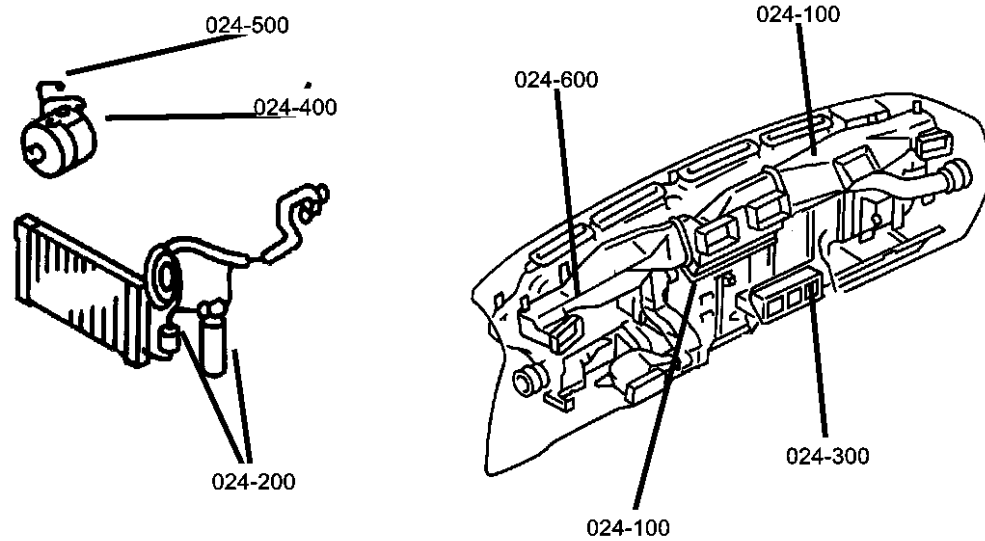
Compressor, Air Conditioning, 2.5,4.0L Gas Engines Fig. 24 - 410
 Compressor, Air Conditioning, 2.5L Diesel Engine Fig. 24 - 415

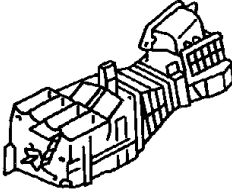
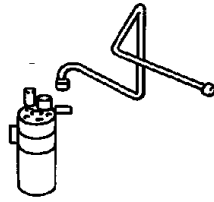
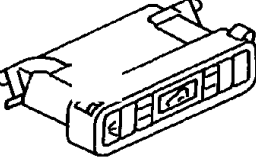
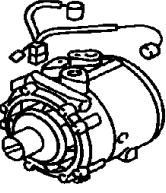
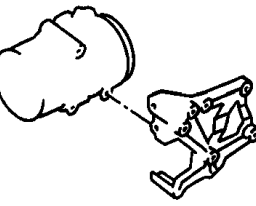
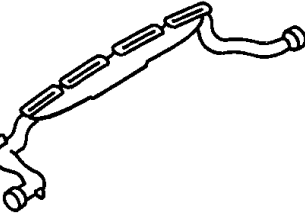
Air Conditioning Compressor Mounting

Compressor Mounting Fig. 24 - 510

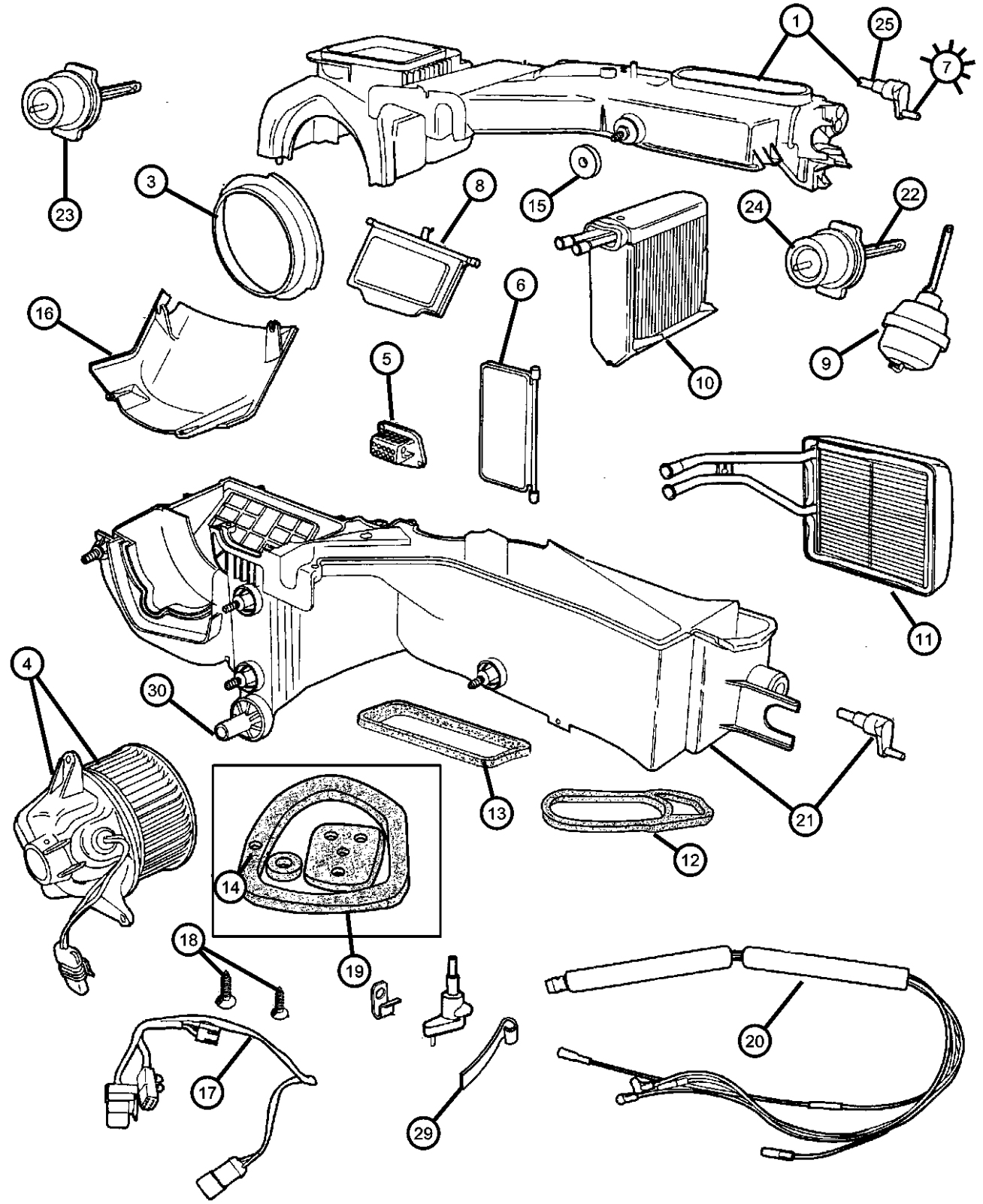
Air Ducts and Outlets

Air Distribution Ducts Fig. 24 - 610



<p>024-100 Air Conditioner and Heater Units</p> 	<p>024-200 Air Conditioner and Heater Plumbing</p> 	<p>024-300 Air Conditioner and Heater Controls</p> 	<p>024-400 Air Conditioning Compressor</p> 
<p>024-500 Air Conditioning Compressor Mounting</p> 	<p>024-600 Air Ducts and Outlets</p> 		

Hevac Unit
Figure 24-110



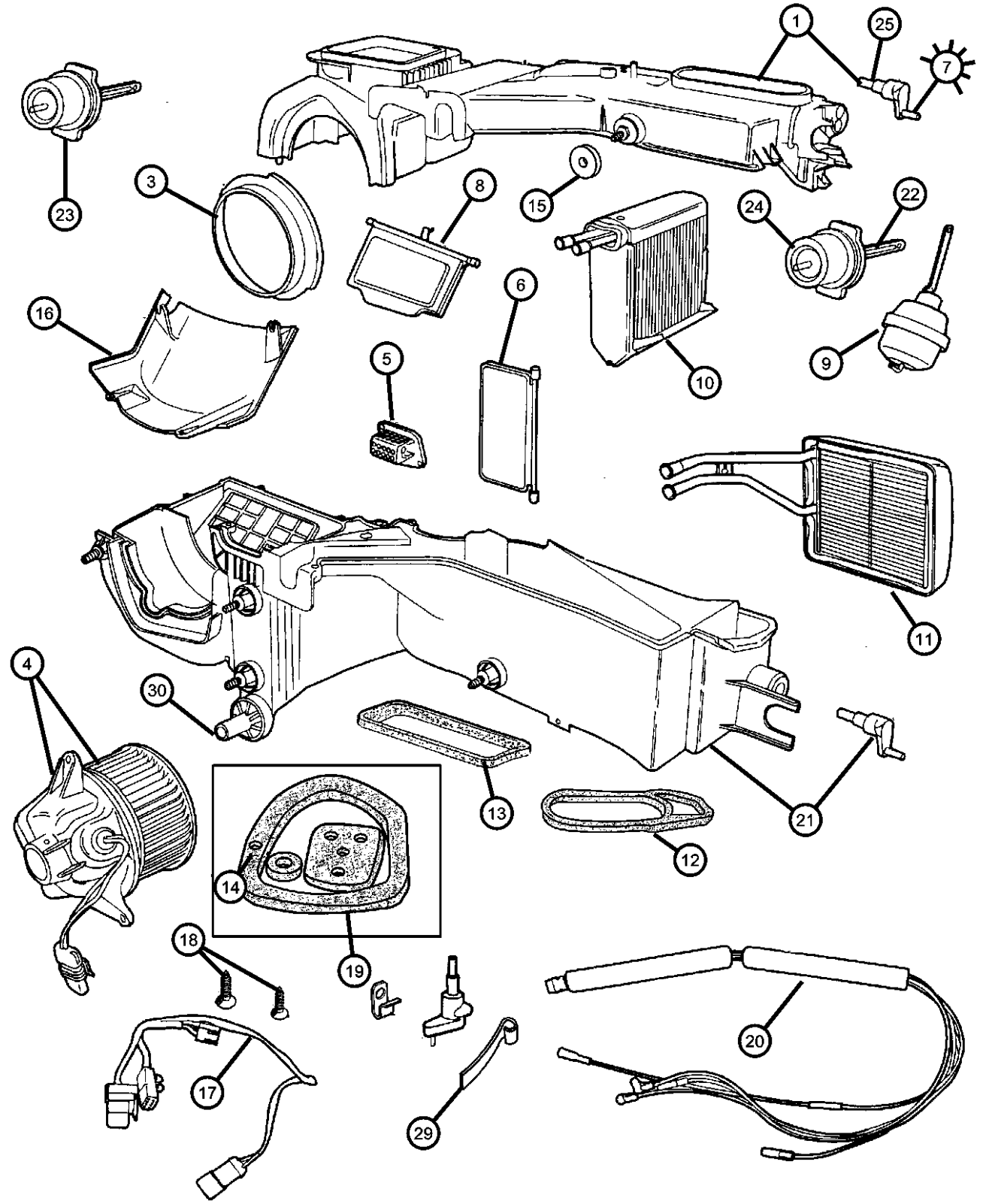
ITEM	PART NUMBER	QTY	LINE	SERIES	BODY	ENGINE	TRANS	TRIM	DESCRIPTION
1	04864943	1	J, T						HOUSING, A/C Upper
	04864945	1	B, U						Upper
-2	04864944	1	J, T						HOUSING, Heater
	05013739AA	1	B, U						Upper
3	04864951	1	J, T						RING
		1	B, U						
4	04864956	1	B, U						BLOWER
	04886150AA	1	J, T						
5	04864957	1	B, U						RESISTOR, Blower Motor
		1	J, T						
6	04897610AA	1	J, T						DOOR, Blend Air
	04897611AA	1	B, U						Up to 11-15-99
	05073553AA	1	J, T						After 11-15-99
7	05013742AA	1	J, T						ADAPTER, Blend Door, A/C and Heater, Use on Up to 11-15-99
8	04864992	1	J, T						Blend door
	04864993	1	B, U						DOOR, Fresh Air
9									ACTUATOR, Vacuum

CHEROKEE (XJ)

SERIES	LINE	BODY	ENGINE	TRANSMISSION
H = Sport	T = JEEP - 2WD	74 = 4 Dr (101.4WB)	ENC = ENGINE - 2.5L 4 CYL TURBO DIESEL	DDD = TRANSMISSION - 5-SPEED HD MANUAL
L = SE	B = JEEP - 2WD (RHD)	72 = 2 Dr (101.4WB)	EPE = ENGINE - 2.5L POWER TECH I-4 Cyl.	DDQ = TRANSMISSION - 5-SPEED MANUAL
P = Classic	J = JEEP - 4WD		ERH = ENGINE - 4.0L POWER TECH I-6	DGD = TRANSMISSION - 3-SPD. AUTOMATIC,30RH
S = Limited	U = JEEP - 4WD (RHD)			DGK = TRANSMISSION - 4-SPD. AUTOMATIC,42RE
				DGS = TRANSMISSION-4SPD. AUTO,AISIN WARNER
				DGT = TRANSMISSION - 4-SPD. AUTOMATIC,46RE
				DGW = TRANSMISSION - 4-SPD. AUTOMATIC,44RE
				DGX = TRANSMISSION - 4-SPEED AUTOMATIC
				DBB = ALL MANUAL TRANSMISSIONS
				DGO = ALL AUTOMATIC TRANSMISSIONS

AR = use ase required - = Non illustrated part

Hevac Unit
Figure 24-110



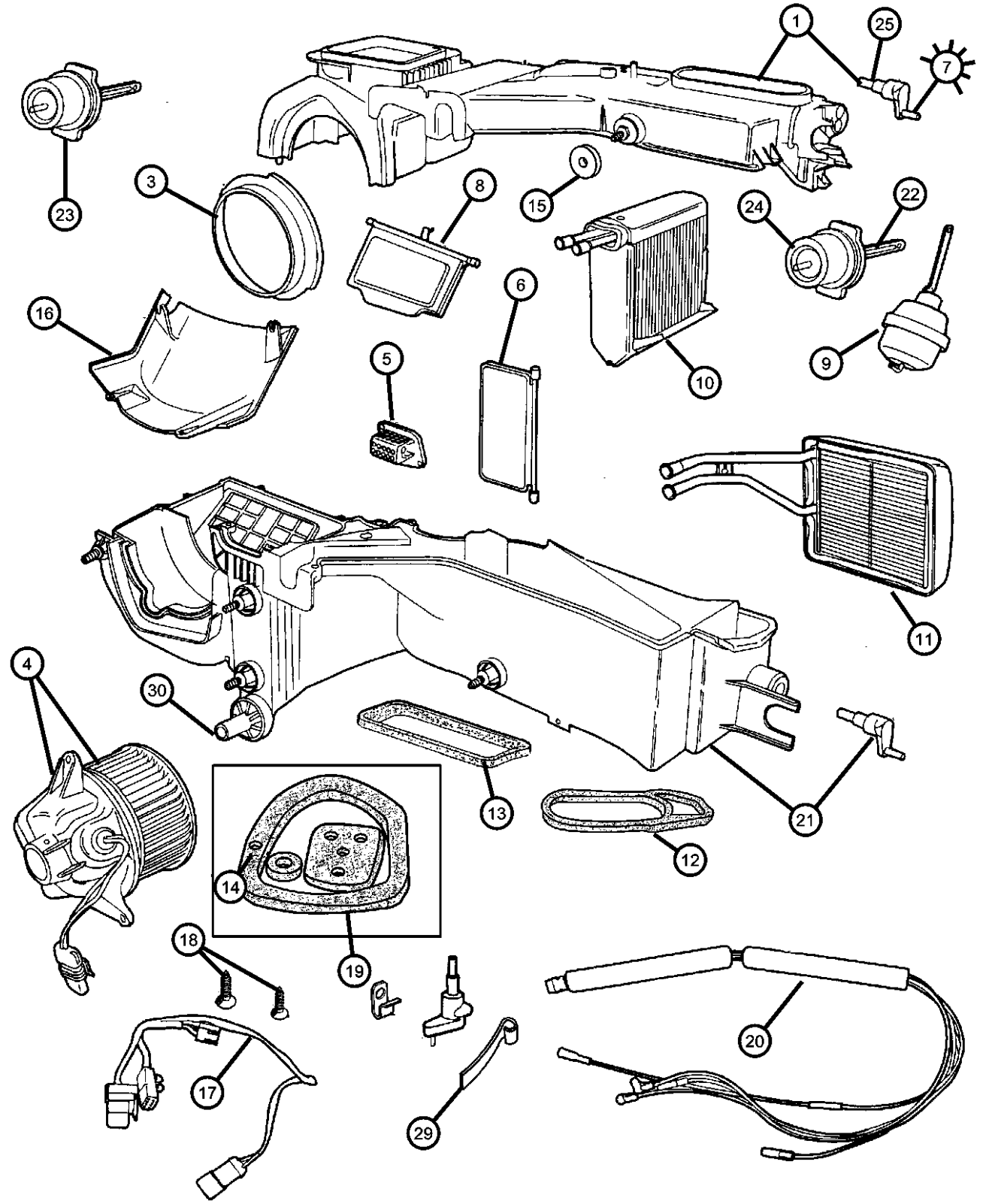
ITEM	PART NUMBER	QTY	LINE	SERIES	BODY	ENGINE	TRANS	TRIM	DESCRIPTION
	04864994	1	J, T						Defrost Door
		1	B, U						Defrost Door
10	04864999AC	1	J, T						EVAPORATOR KIT, A/C
	04874044AC	1	B, U						
11	04874045	1	J, T						CORE, Heater
	04874046	1	B, U						
12	04874063	1	J, T						SEAL, Demister
	04874065	1	B, U						
13	04874068	1	J, T						SEAL, Vent
		1	B, U						
14	04874069AB	1	J, T						SEAL KIT, A/C And Heater Unit with Air Conditioning
	04874070AB	1	B, U						with Air Conditioning
	04874071AB	1	J, T						without Air Conditioning
	04874072AB	1	B, U						without Air Conditioning
15	55005519	1							WASHER, Sealing
16	04874078	1	J, T						COVER, Recirculating Valve
	04874079	1	B, U						
17	05013744AA	1	J, T						WIRING, Air Conditioning Module

CHEROKEE (XJ)

SERIES	LINE	BODY	ENGINE	TRANSMISSION
H = Sport	T = JEEP - 2WD	74 = 4 Dr (101.4WB)	ENC = ENGINE - 2.5L 4 CYL TURBO DIESEL	DDD = TRANSMISSION - 5-SPEED HD MANUAL
L = SE	B = JEEP - 2WD (RHD)	72 = 2 Dr (101.4WB)	EPE = ENGINE - 2.5L POWER TECH I-4 Cyl.	DDQ = TRANSMISSION - 5-SPEED MANUAL
P = Classic	J = JEEP - 4WD		ERH = ENGINE - 4.0L POWER TECH I-6	DGD = TRANSMISSION - 3-SPD. AUTOMATIC,30RH
S = Limited	U = JEEP - 4WD (RHD)			DGK = TRANSMISSION - 4-SPD. AUTOMATIC,42RE
				DGS = TRANSMISSION-4SPD. AUTO,AISIN WARNER
				DGT = TRANSMISSION - 4-SPD. AUTOMATIC,46RE
				DGW = TRANSMISSION - 4-SPD. AUTOMATIC,44RE
				DGX = TRANSMISSION - 4-SPEED AUTOMATIC
				DBB = ALL MANUAL TRANSMISSIONS
				DGO = ALL AUTOMATIC TRANSMISSIONS

AR = use ase required - = Non illustrated part

Hevac Unit
Figure 24-110



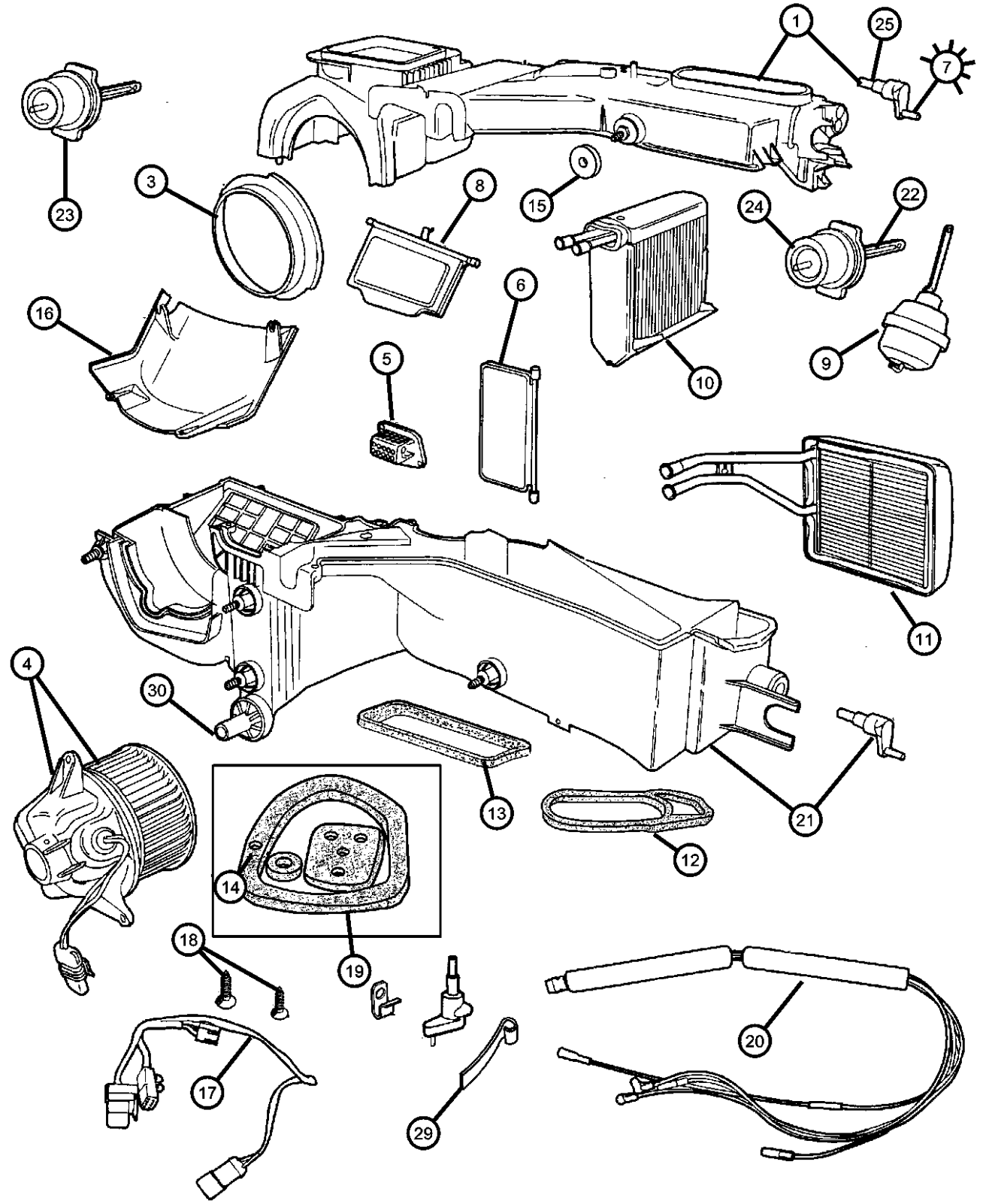
ITEM	PART NUMBER	QTY	LINE	SERIES	BODY	ENGINE	TRANS	TRIM	DESCRIPTION
18		1	B, U						SCREW, Hex Head, M4.8-1.59x19
	04734227	15	J, T						
		15	B, U						
19		4	J, T						CLIP, A/C Heater Housing
	04644388	4	B, U						
20		4							HARNES, Heater Vacuum, (NOT REQUIRED)
21		4							HOUSING, A/C Lower
	05013735AA	1	J, T						
	05013738AA	1	B, U						
22		1							ACTUATOR, Vacuum
	04864995	1	B, U						
		1	J, T						
23		1							ACTUATOR, Vacuum
	04864996	1	J, T						Recirculating Door
		1	B, U						Recirculating Door
24		1							ACTUATOR, Blend Door
	05013741AA	1	J, T						
		1	B, U						
25		1							ADAPTER, Blend Door, A/C and Heater
	05013742AA	1	J, T						
	05013743AA	1	B, U						
-26									WIRING, Air Conditioning Module

CHEROKEE (XJ)

SERIES	LINE	BODY	ENGINE	TRANSMISSION
H = Sport	T = JEEP - 2WD	74 = 4 Dr (101.4WB)	ENC = ENGINE - 2.5L 4 CYL TURBO DIESEL	DDD = TRANSMISSION - 5-SPEED HD MANUAL
L = SE	B = JEEP - 2WD (RHD)	72 = 2 Dr (101.4WB)	EPE = ENGINE - 2.5L POWER TECH I-4 Cyl.	DDQ = TRANSMISSION - 5-SPEED MANUAL
P = Classic	J = JEEP - 4WD		ERH = ENGINE - 4.0L POWER TECH I-6	DGD = TRANSMISSION - 3-SPD. AUTOMATIC,30RH
S = Limited	U = JEEP - 4WD (RHD)			DGK = TRANSMISSION - 4-SPD. AUTOMATIC,42RE
				DGS = TRANSMISSION-4SPD. AUTO,AISIN WARNER
				DGT = TRANSMISSION - 4-SPD. AUTOMATIC,46RE
				DGW = TRANSMISSION - 4-SPD. AUTOMATIC,44RE
				DGX = TRANSMISSION - 4-SPEED AUTOMATIC
				DBB = ALL MANUAL TRANSMISSIONS
				DGO = ALL AUTOMATIC TRANSMISSIONS

AR = use ase required - = Non illustrated part

Hevac Unit
Figure 24-110



ITEM	PART NUMBER	QTY	LINE	SERIES	BODY	ENGINE	TRANS	TRIM	DESCRIPTION
	05013744AA	1	J, T						
		1	B, U						
-27	05013745AA	1	J, T						BRACKET, Blend Door Adapter, A/C and Heater
-28	05014108AA	1	J, T						LEVER, Defroster Door
29	05014108AA	1							SPRING, A/C Heater Mode Door, (NOT REQUIRED)
30	56000724AB	1							TUBE, Evaporator Housing

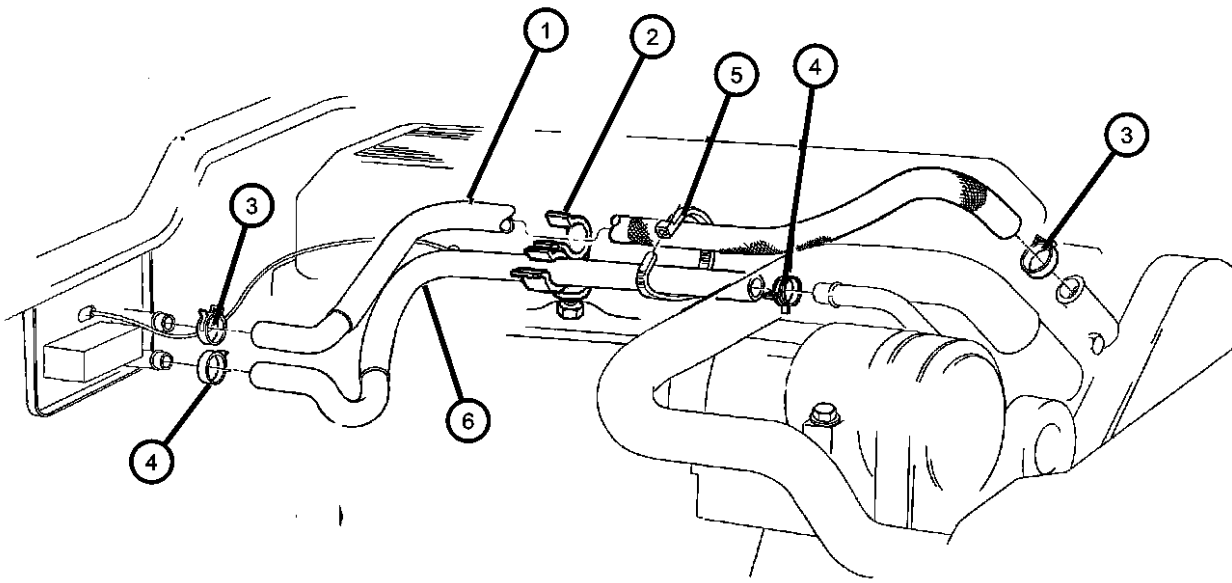
CHEROKEE (XJ)

SERIES	LINE	BODY	ENGINE	TRANSMISSION
H = Sport	T = JEEP - 2WD	74 = 4 Dr (101.4WB)	ENC = ENGINE - 2.5L 4 CYL TURBO DIESEL	DDD = TRANSMISSION - 5-SPEED HD MANUAL
L = SE	B = JEEP - 2WD (RHD)	72 = 2 Dr (101.4WB)	EPE = ENGINE - 2.5L POWER TECH I-4 Cyl.	DDQ = TRANSMISSION - 5-SPEED MANUAL
P = Classic	J = JEEP - 4WD		ERH = ENGINE - 4.0L POWER TECH I-6	DGD = TRANSMISSION - 3-SPD. AUTOMATIC,30RH
S = Limited	U = JEEP - 4WD (RHD)			DGK = TRANSMISSION - 4-SPD. AUTOMATIC,42RE
				DGS = TRANSMISSION-4SPD. AUTO,AISIN WARNER
				DGT = TRANSMISSION - 4-SPD. AUTOMATIC,46RE
				DGW = TRANSMISSION - 4-SPD. AUTOMATIC,44RE
				DGX = TRANSMISSION - 4-SPEED AUTOMATIC
				DBB = ALL MANUAL TRANSMISSIONS
				DGO = ALL AUTOMATIC TRANSMISSIONS

AR = use ase required - = Non illustrated part

Plumbing, Heater 2.5,4.0L Engine,LHD
Figure 24-210

ITEM	PART NUMBER	QTY	LINE	SERIES	BODY	ENGINE	TRANS	TRIM	DESCRIPTION
Note: Sales Code EP0 = 2.5L Gas Engine Note: Sales Code ER0 = 4.0L Engine									
1									HOSE, Heater Supply
	55036925AC	1	J, T			EP0			
	55037326AC	1	J, T			ER0			
2	55035933AB	1	J, T			EP0, ER0			BRACKET, Hose
3	06502018	1				EN0			CLAMP, Hose, M28.9 x 1.60
4	06502017	1	J, T			EP0			CLAMP, Heater Hose
5	04641780	2							STRAP, Tie
6									HOSE, Heater Return
	55036924AD	1	J, T			ER0			
	55036926AC	1	J, T			EP0			



CHEROKEE (XJ)

SERIES	LINE	BODY	ENGINE	TRANSMISSION
H = Sport	T = JEEP - 2WD	74 = 4 Dr (101.4WB)	ENC = ENGINE - 2.5L 4 CYL TURBO DIESEL	DDD = TRANSMISSION - 5-SPEED HD MANUAL
L = SE	B = JEEP - 2WD (RHD)	72 = 2 Dr (101.4WB)	EPE = ENGINE - 2.5L POWER TECH I-4 Cyl.	DDQ = TRANSMISSION - 5-SPEED MANUAL
P = Classic	J = JEEP - 4WD		ERH = ENGINE - 4.0L	DGD = TRANSMISSION - 3-SPD. AUTOMATIC,30RH
S = Limited	U = JEEP - 4WD (RHD)		POWER TECH I-6	DGK = TRANSMISSION - 4-SPD. AUTOMATIC,42RE
				DGS = TRANSMISSION-4SPD. AUTO,AISIN WARNER
				DGT = TRANSMISSION - 4-SPD. AUTOMATIC,46RE
				DGW = TRANSMISSION - 4-SPD. AUTOMATIC,44RE
				DGX = TRANSMISSION - 4-SPEED AUTOMATIC
				DBB = ALL MANUAL TRANSMISSIONS
				DGO = ALL AUTOMATIC TRANSMISSIONS

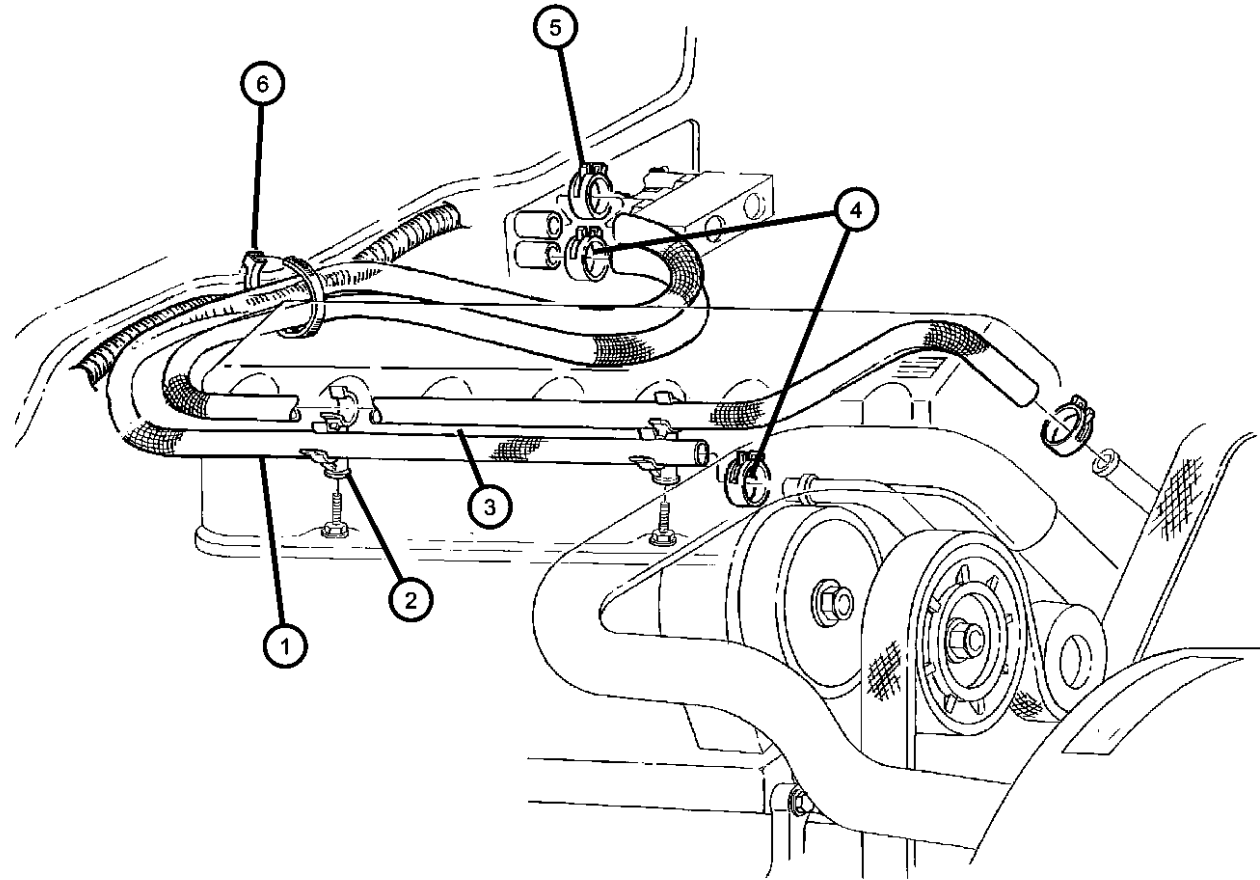
AR = use ase required - = Non illustrated part

2000 XJ

Plumbing, Heater 2.5,4.0L Engine, RHD
Figure 24-220

ITEM	PART NUMBER	QTY	LINE	SERIES	BODY	ENGINE	TRANS	TRIM	DESCRIPTION
------	-------------	-----	------	--------	------	--------	-------	------	-------------

Note: Sales Code EP0 = 2.5L Gas Engine
 Note: Sales Code ER0 = 4.0L Engine



1									HOSE, Heater Return
	55037333AC	1	B, U			ER0			
	55037334AC	1	B, U			EP0			
2	55035933AB	2	B, U			EP0, ER0			BRACKET, Hose
3									HOSE, Heater Supply
	55037268AC	1	B, U			EP0			
	55037269AC	1	B, U			ER0			
4									CLAMP, Heater Hose
	06502017	2	B, U			EP0			
		2	B, U			ER0			
5	06502018	1				EN0			CLAMP, Hose, M28.9 x 1.60
6	04641780	1							STRAP, Tie

CHEROKEE (XJ)

SERIES	LINE	BODY	ENGINE	TRANSMISSION
H = Sport	T = JEEP - 2WD	74 = 4 Dr (101.4WB)	ENC = ENGINE - 2.5L 4 CYL TURBO DIESEL	DDD = TRANSMISSION - 5-SPEED HD MANUAL
L = SE	B = JEEP - 2WD (RHD)	72 = 2 Dr (101.4WB)	EPE = ENGINE - 2.5L POWER TECH I-4 Cyl.	DDQ = TRANSMISSION - 5-SPEED MANUAL
P = Classic	J = JEEP - 4WD		ERH = ENGINE - 4.0L	DGD = TRANSMISSION - 3-SPD. AUTOMATIC,30RH
S = Limited	U = JEEP - 4WD (RHD)		POWER TECH I-6	DGK = TRANSMISSION - 4-SPD. AUTOMATIC,42RE
				DGS = TRANSMISSION-4SPD. AUTO,AISIN WARNER
				DGT = TRANSMISSION - 4-SPD. AUTOMATIC,46RE
				DGW = TRANSMISSION - 4-SPD. AUTOMATIC,44RE
				DGX = TRANSMISSION - 4-SPEED AUTOMATIC
				DBB = ALL MANUAL TRANSMISSIONS
				DGO = ALL AUTOMATIC TRANSMISSIONS

AR = use ase required - = Non illustrated part

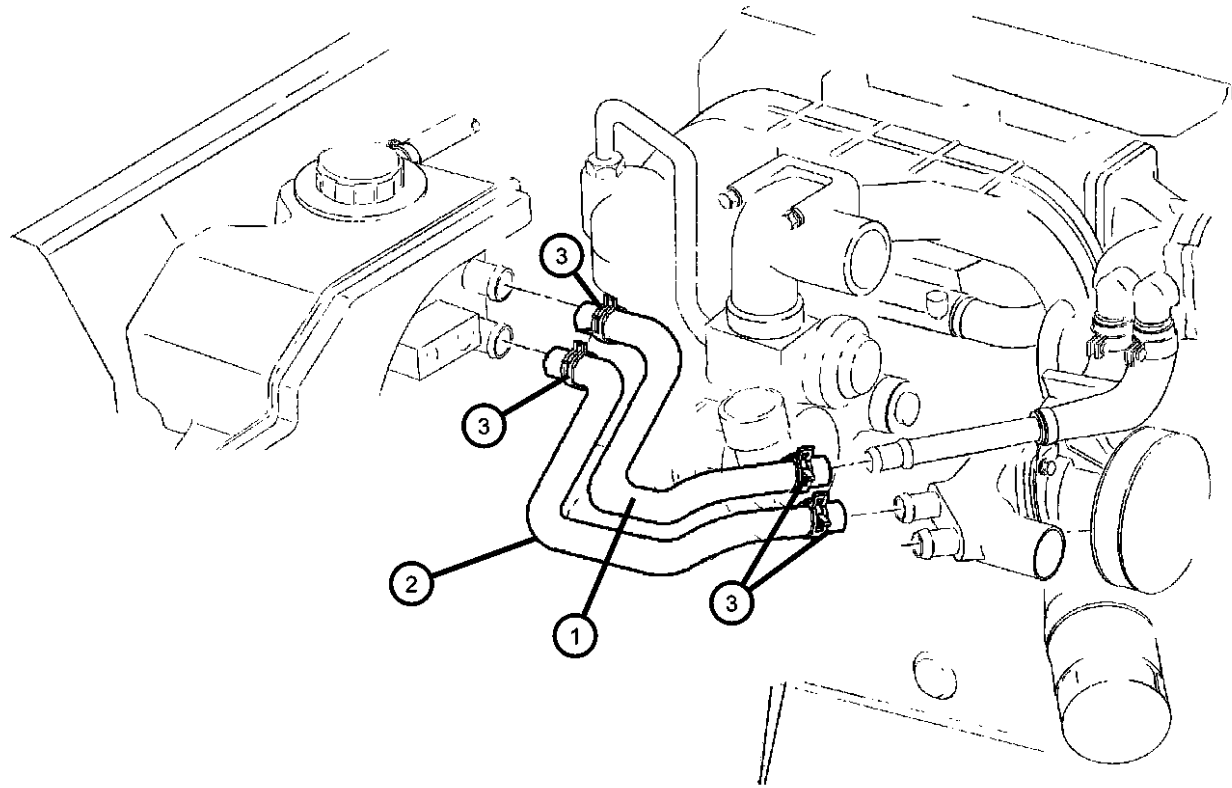
2000 XJ

Plumbing, Heater 2.5L Diesel Engine, LHD
Figure 24-230

ITEM	PART NUMBER	QTY	LINE	SERIES	BODY	ENGINE	TRANS	TRIM	DESCRIPTION
------	-------------	-----	------	--------	------	--------	-------	------	-------------

Note: Sales Code EN0 = 2.5L Diesel Engine

1	55037301	1	J, T			EN0			HOSE, Heater Supply
2	55037319	1	J, T			EN0			HOSE, Heater Return
3	06502017	2	B, U			EN0			CLAMP, Heater Hose



CHEROKEE (XJ)

SERIES	LINE
H = Sport	T = JEEP - 2WD
L = SE	B = JEEP - 2WD (RHD)
P = Classic	J = JEEP - 4WD
S = Limited	U = JEEP - 4WD (RHD)

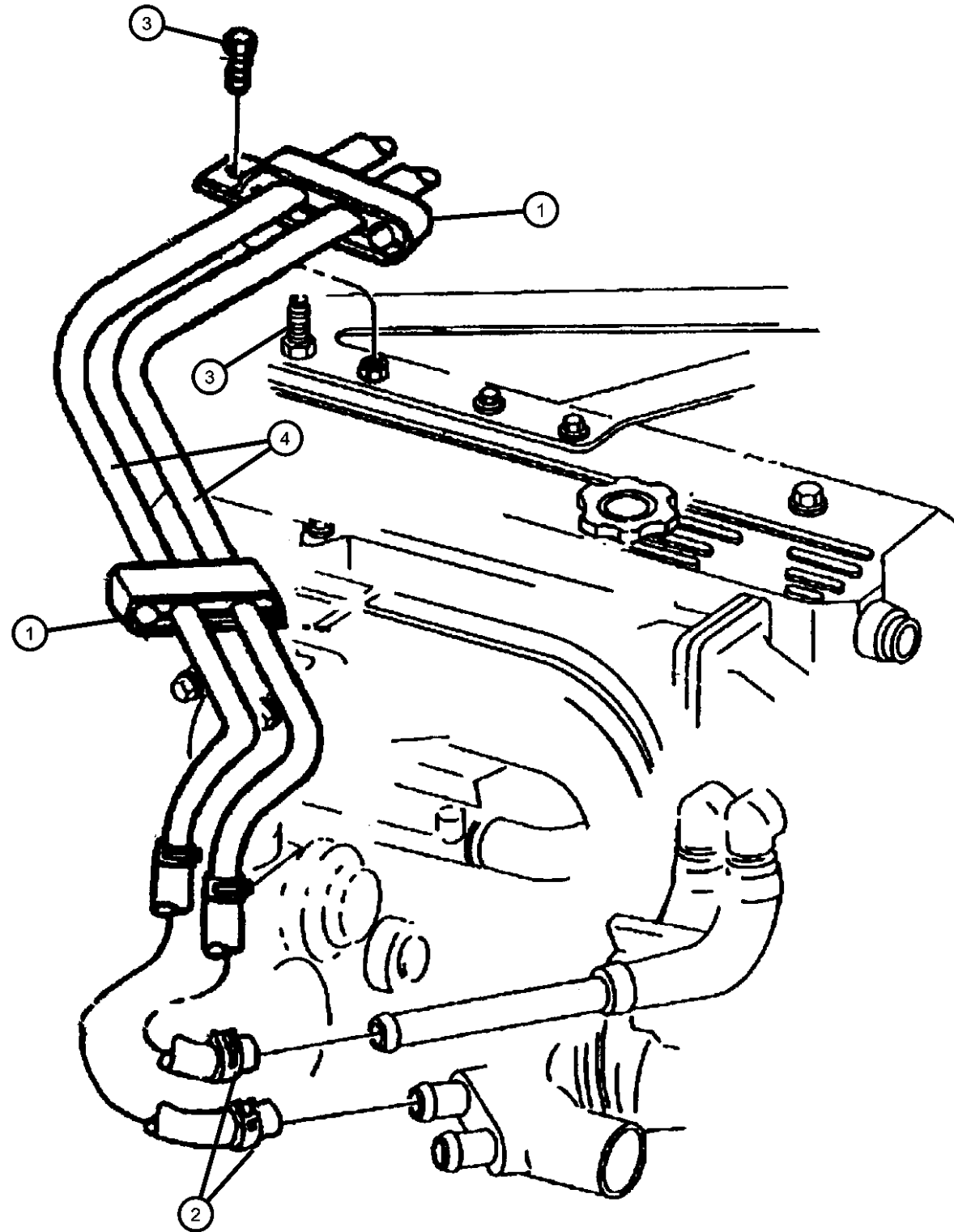
BODY
74 = 4 Dr (101.4WB)
72 = 2 Dr (101.4WB)

ENGINE	TRANSMISSION
ENC = ENGINE - 2.5L 4 CYL TURBO DIESEL	DDD = TRANSMISSION - 5-SPEED HD MANUAL
EPE = ENGINE - 2.5L POWER TECH I-4 Cyl.	DDQ = TRANSMISSION - 5-SPEED MANUAL
ERH = ENGINE - 4.0L POWER TECH I-6	DGD = TRANSMISSION - 3-SPD. AUTOMATIC,30RH
	DGK = TRANSMISSION - 4-SPD. AUTOMATIC,42RE
	DGS = TRANSMISSION-4SPD. AUTO,AISIN WARNER
	DGT = TRANSMISSION - 4-SPD. AUTOMATIC,46RE
	DGW = TRANSMISSION - 4-SPD. AUTOMATIC,44RE
	DGX = TRANSMISSION - 4-SPEED AUTOMATIC
	DBB = ALL MANUAL TRANSMISSIONS
	DGO = ALL AUTOMATIC TRANSMISSIONS

AR = use ase required - = Non illustrated part

2000 XJ

Plumbing, Heater 2.5L Diesel Engine, RHD
Figure 24-240



ITEM	PART NUMBER	QTY	LINE	SERIES	BODY	ENGINE	TRANS	TRIM	DESCRIPTION
------	-------------	-----	------	--------	------	--------	-------	------	-------------

Note: Sales Code EN0 = 2.5L Diesel Engine

1	52001603	1	J, T			ENC			CLIP, Heater Hose
2	04883924AA	4				EN0			CLAMP, Heater Hose
3	04883924AA	4							SCREW, (NOT SERVICED)
4	52129121AB	1	B, U			EN0			HOSE AND TUBE, Heater Supply And Return

CHEROKEE (XJ)

SERIES	LINE
H = Sport	T = JEEP - 2WD
L = SE	B = JEEP - 2WD (RHD)
P = Classic	J = JEEP - 4WD
S = Limited	U = JEEP - 4WD (RHD)

BODY
74 = 4 Dr (101.4WB)
72 = 2 Dr (101.4WB)

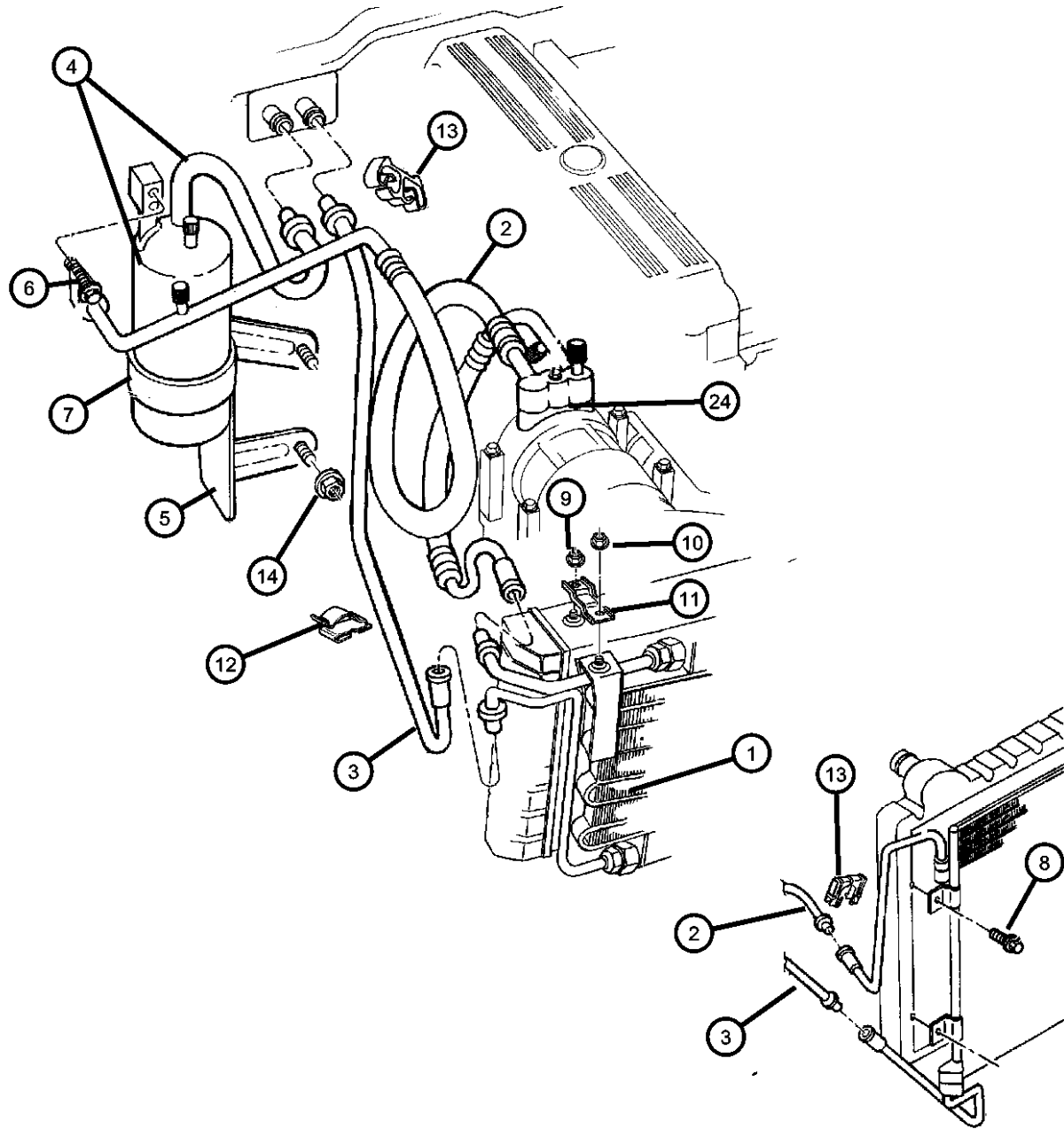
ENGINE
ENC = ENGINE - 2.5L 4 CYL TURBO DIESEL
EPE = ENGINE - 2.5L POWER TECH I-4 Cyl.
ERH = ENGINE - 4.0L POWER TECH I-6

TRANSMISSION
DDD = TRANSMISSION - 5-SPEED HD MANUAL
DDQ = TRANSMISSION - 5-SPEED MANUAL
DGD = TRANSMISSION - 3-SPD. AUTOMATIC,30RH
DGK = TRANSMISSION - 4-SPD. AUTOMATIC,42RE
DGS = TRANSMISSION-4SPD. AUTO,AISIN WARNER
DGT = TRANSMISSION - 4-SPD. AUTOMATIC,46RE
DGW = TRANSMISSION - 4-SPD. AUTOMATIC,44RE
DGX = TRANSMISSION - 4-SPEED AUTOMATIC
DBB = ALL MANUAL TRANSMISSIONS
DGO = ALL AUTOMATIC TRANSMISSIONS

AR = use ase required - = Non illustrated part

2000 XJ

Plumbing, Air Conditioning 2.5,4.0L Engine, LHD
Figure 24-250



ITEM	PART NUMBER	QTY	LINE	SERIES	BODY	ENGINE	TRANS	TRIM	DESCRIPTION
------	-------------	-----	------	--------	------	--------	-------	------	-------------

Note: Sales Code EP0 = 2.5L Gas Engine
 Note: Sales Code ER0 = 4.0L Engine

1	55036595AD	1	J, T			EP0, ER0			CONDENSER, A/C
	55037434AA	1	B, U			EP0, ER0			
2	55037492AA	1	J, T			EP0			LINE, A/C Suction & Discharge
	55037553AA	1	J, T			ER0			[Up To 11-1-99]
	55037570AA	1	J, T			ER0			[After To 11-1-99]
3	55036632AC	1	J, T			ER0			LINE, A/C Liquid
	55037218AC	1	B, U			ER0			
	55037495AA	1	B, U			EP0			Evaporator Out
	55037496AA	1	B, U			EP0			Evaporator In
	55037554AA	1	J, T			EP0			
4	55036630AC	1	J, T			EP0, ER0			ACCUMULATOR, Suction Line With Block Mounting Line
	55036649AC	1	B, U			EN0, ER0			
	55037479AB	1	B, U			EP0			
	55037569AB	1	J, T			ER0			Without Block Mounting Line
5	55036619	1	J, T			EP0, ER0			BRACKET, Accumulator
6	11502628	8							BOLT, Hex Flange Head, M8x1.25x30
7	55037431AB	1	J, T			EP0, ER0			BAND, Accumulator Retaining
8	55037431AB	1							BOLT AND CONED WASHER, Hex Head, M8x30x20, (NOT SERVICED)

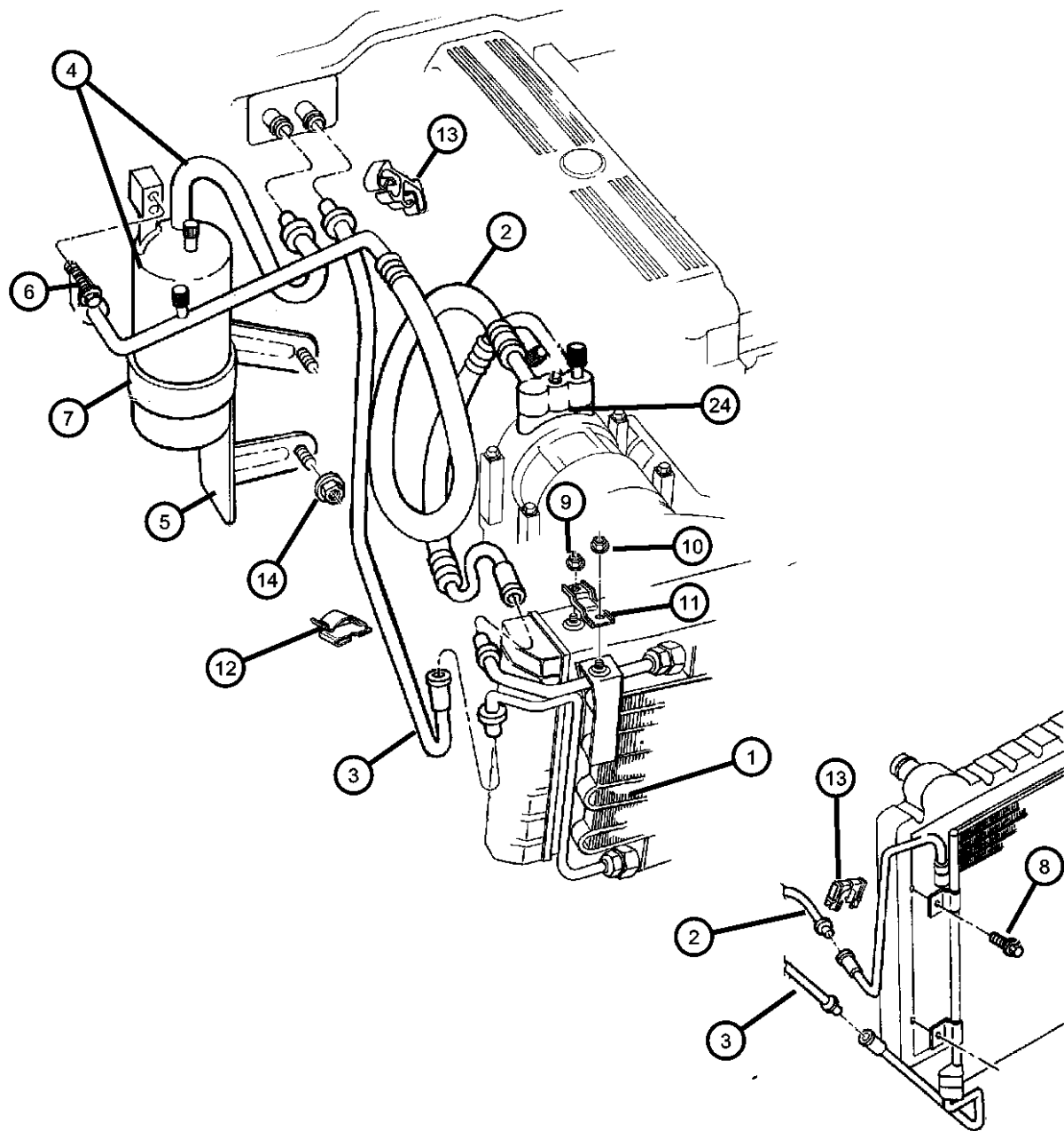
CHEROKEE (XJ)

SERIES	LINE	BODY	ENGINE	TRANSMISSION
H = Sport	T = JEEP - 2WD	74 = 4 Dr (101.4WB)	ENC = ENGINE - 2.5L 4 CYL TURBO DIESEL	DDD = TRANSMISSION - 5-SPEED HD MANUAL
L = SE	B = JEEP - 2WD (RHD)	72 = 2 Dr (101.4WB)	EPE = ENGINE - 2.5L POWER TECH I-4 Cyl.	DDQ = TRANSMISSION - 5-SPEED MANUAL
P = Classic	J = JEEP - 4WD		ERH = ENGINE - 4.0L	DGD = TRANSMISSION - 3-SPD. AUTOMATIC,30RH
S = Limited	U = JEEP - 4WD (RHD)		POWER TECH I-6	DGK = TRANSMISSION - 4-SPD. AUTOMATIC,42RE
				DGS = TRANSMISSION-4SPD. AUTO,AISIN WARNER
				DGT = TRANSMISSION - 4-SPD. AUTOMATIC,46RE
				DGW = TRANSMISSION - 4-SPD. AUTOMATIC,44RE
				DGX = TRANSMISSION - 4-SPEED AUTOMATIC
				DBB = ALL MANUAL TRANSMISSIONS
				DGO = ALL AUTOMATIC TRANSMISSIONS

AR = use ase required - = Non illustrated part

2000 XJ

Plumbing, Air Conditioning 2.5,4.0L Engine, LHD
Figure 24-250



ITEM	PART NUMBER	QTY	LINE	SERIES	BODY	ENGINE	TRANS	TRIM	DESCRIPTION
9	06503226	4							NUT, Hex Flange, M5x.8
10	06100814	2							NUT, Hex, M6
11	56002231	2							BRACKET, Radiator to Condenser
12	55037289	1				ER0			CLIP, A/C Liquid Line
13									CLIP, A/C Quick Disconnect
	04596152	2				EP0			Suction Liquid Line
	04596153	1							Discharge Line
14	06504997AA	3	J, T						SCREW
-15	04740401	2	B, U			EP0			O RING, A/C Suction Line, 5/8'
-16									O RING, A/C Liquid Line
	04741705	2	J, T			ER0			Green
		2	J, T			EP0			Green
		4	U, B			EP0			Green
-17									SWITCH, A/C High Pressure Cut Off
	04897617AA	1	J, T			EP0			
	05015792AA	1	J, T			ER0			
-18	05015872AA	1	J, T			EP0, ER0			SWITCH, A/C Low Pressure Cut Off
-19	04882334	1	J, T			EP0			VALVE, A/C Discharge Line Check
-20	04882335	1	J, T			EP0			CAP, A/C Check Valve
-21	04882335	1							VALVE CORE, Service Port, (NOT SERVICED)
-22	04728856	1	J, T			EP0			SPRING, Quick Disconnect
-23									ORIFICE, Liquid Line
	55036182	1	B, U			ER0			

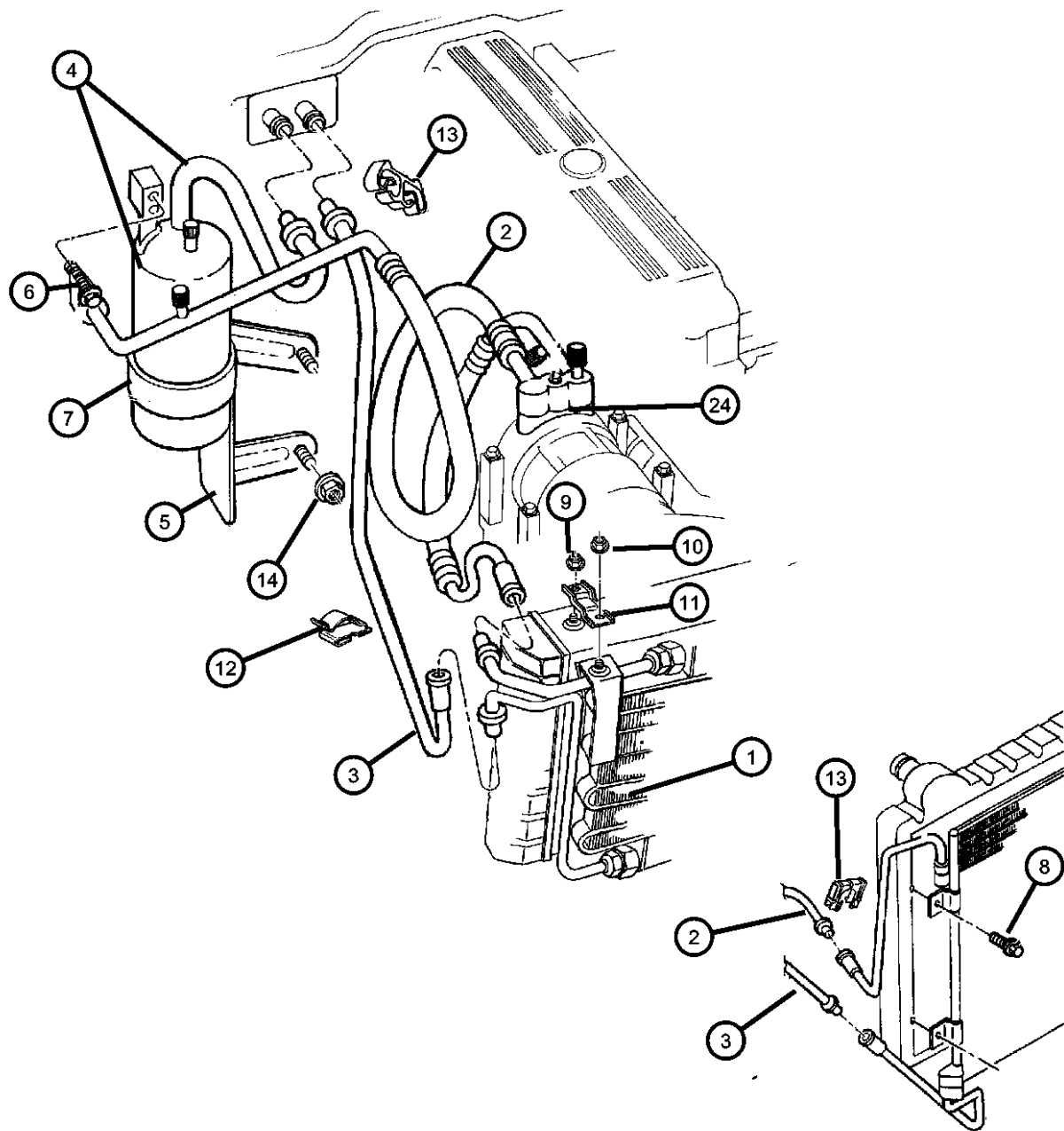
CHEROKEE (XJ)

SERIES	LINE	BODY	ENGINE	TRANSMISSION
H = Sport	T = JEEP - 2WD	74 = 4 Dr (101.4WB)	ENC = ENGINE - 2.5L 4 CYL TURBO DIESEL	DDD = TRANSMISSION - 5-SPEED HD MANUAL
L = SE	B = JEEP - 2WD (RHD)	72 = 2 Dr (101.4WB)	EPE = ENGINE - 2.5L POWER TECH I-4 Cyl.	DDQ = TRANSMISSION - 5-SPEED MANUAL
P = Classic	J = JEEP - 4WD		ERH = ENGINE - 4.0L POWER TECH I-6	DGD = TRANSMISSION - 3-SPD. AUTOMATIC,30RH
S = Limited	U = JEEP - 4WD (RHD)			DGK = TRANSMISSION - 4-SPD. AUTOMATIC,42RE
				DGS = TRANSMISSION-4SPD. AUTO,AISIN WARNER
				DGT = TRANSMISSION - 4-SPD. AUTOMATIC,46RE
				DGW = TRANSMISSION - 4-SPD. AUTOMATIC,44RE
				DGX = TRANSMISSION - 4-SPEED AUTOMATIC
				DBB = ALL MANUAL TRANSMISSIONS
				DGO = ALL AUTOMATIC TRANSMISSIONS

AR = use ase required - = Non illustrated part

Plumbing, Air Conditioning 2.5,4.0L Engine, LHD
Figure 24-250

ITEM	PART NUMBER	QTY	LINE	SERIES	BODY	ENGINE	TRANS	TRIM	DESCRIPTION
		1	J, T			EP0			
24		2	J, T			ER0			O RING, A/C Suction Line
	04761737	2	J, T			ER0			Stat O Seal
		2	J, T			EP0			Stat O Seal



CHEROKEE (XJ)

SERIES LINE
H = Sport T = JEEP - 2WD
L = SE B = JEEP - 2WD (RHD)
P = Classic J = JEEP - 4WD
S = Limited U = JEEP - 4WD (RHD)

BODY
74 = 4 Dr (101.4WB)
72 = 2 Dr (101.4WB)

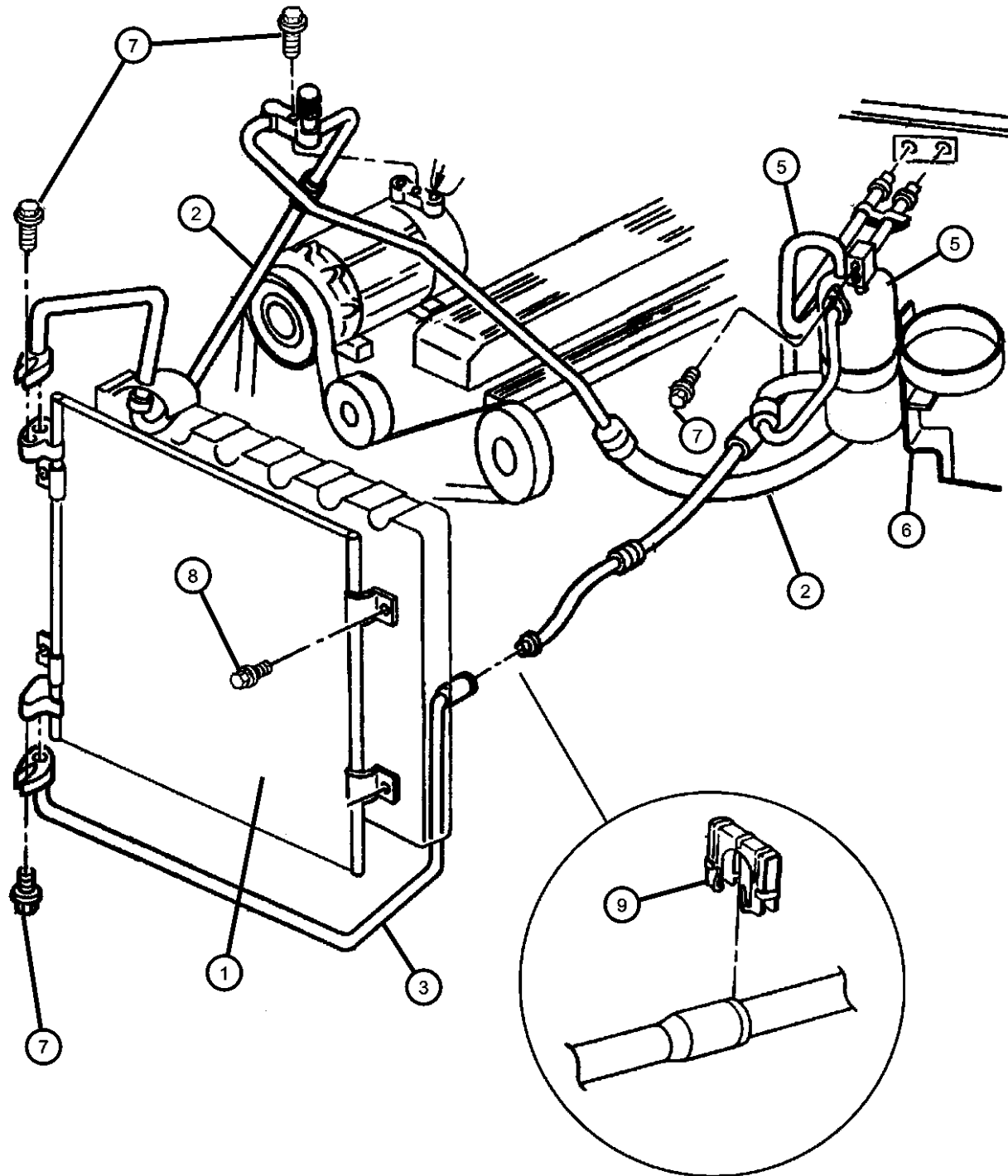
ENGINE
ENC = ENGINE - 2.5L 4 CYL TURBO DIESEL
EPE = ENGINE - 2.5L POWER TECH I-4 Cyl.
ERH = ENGINE - 4.0L POWER TECH I-6

TRANSMISSION
DDD = TRANSMISSION - 5-SPEED HD MANUAL
DDQ = TRANSMISSION - 5-SPEED MANUAL
DGD = TRANSMISSION - 3-SPD. AUTOMATIC,30RH
DGK = TRANSMISSION - 4-SPD. AUTOMATIC,42RE
DGS = TRANSMISSION-4SPD. AUTO,AISIN WARNER
DGT = TRANSMISSION - 4-SPD. AUTOMATIC,46RE
DGW = TRANSMISSION - 4-SPD. AUTOMATIC,44RE
DGX = TRANSMISSION - 4-SPEED AUTOMATIC
DBB = ALL MANUAL TRANSMISSIONS
DGO = ALL AUTOMATIC TRANSMISSIONS

AR = use ase required - = Non illustrated part

2000 XJ

Plumbing, Air Conditioning 2.5L Gas Engine, RHD
Figure 24-260



ITEM	PART NUMBER	QTY	LINE	SERIES	BODY	ENGINE	TRANS	TRIM	DESCRIPTION
------	-------------	-----	------	--------	------	--------	-------	------	-------------

Note: Sales Code EP0 = 2.5L Gas Engine

1	55036595AD	1	J, T			EP0, ERO			CONDENSER, A/C
2	55037493AA	1	B, U			EP0			LINE, A/C Suction & Discharge
3	55037495AA	1	B, U			EP0			LINE, A/C Liquid
-4	05003563AA	1	B, U			EP0			BRACKET, A/C Line
5	55037479AB	1	B, U			EP0			ACCUMULATOR, Suction Line
6	55036620AD	1	B, U			EP0			BRACKET, Accumulator
7	11502628	2							BOLT, Hex Flange Head, M8x1.25x30
8	11502628	2							BOLT AND CONED WASHER, Hex Head, M8x30x20, (NOT SERVICED)
9									CLIP, A/C Quick Disconnect
	04596152	2				EP0			Discharge Line
	04596153	1							Suction Liquid Line
-10	04897617AA	1	B, U			EP0			SWITCH, A/C High Pressure Cut Off
-11	04740401	2	B, U			EP0			O RING, A/C Suction Line
-12	04882334	1	B, U			EP0			VALVE, A/C Discharge Line Check
-13	04882335	1	B, U			EP0			CAP, A/C Check Valve
-14	04761737	2	B, U			EP0			O RING, A/C Suction Line
-15	04761737	2							VALVE CORE, Service Port, (NOT SERVICED)
-16	04728856	1	B, U			EP0			SPRING, Quick Disconnect
-17	04741705	2	B, U			EP0			O RING, A/C Liquid Line

CHEROKEE (XJ)

SERIES	LINE
H = Sport	T = JEEP - 2WD
L = SE	B = JEEP - 2WD (RHD)
P = Classic	J = JEEP - 4WD
S = Limited	U = JEEP - 4WD (RHD)

BODY
74 = 4 Dr (101.4WB)
72 = 2 Dr (101.4WB)

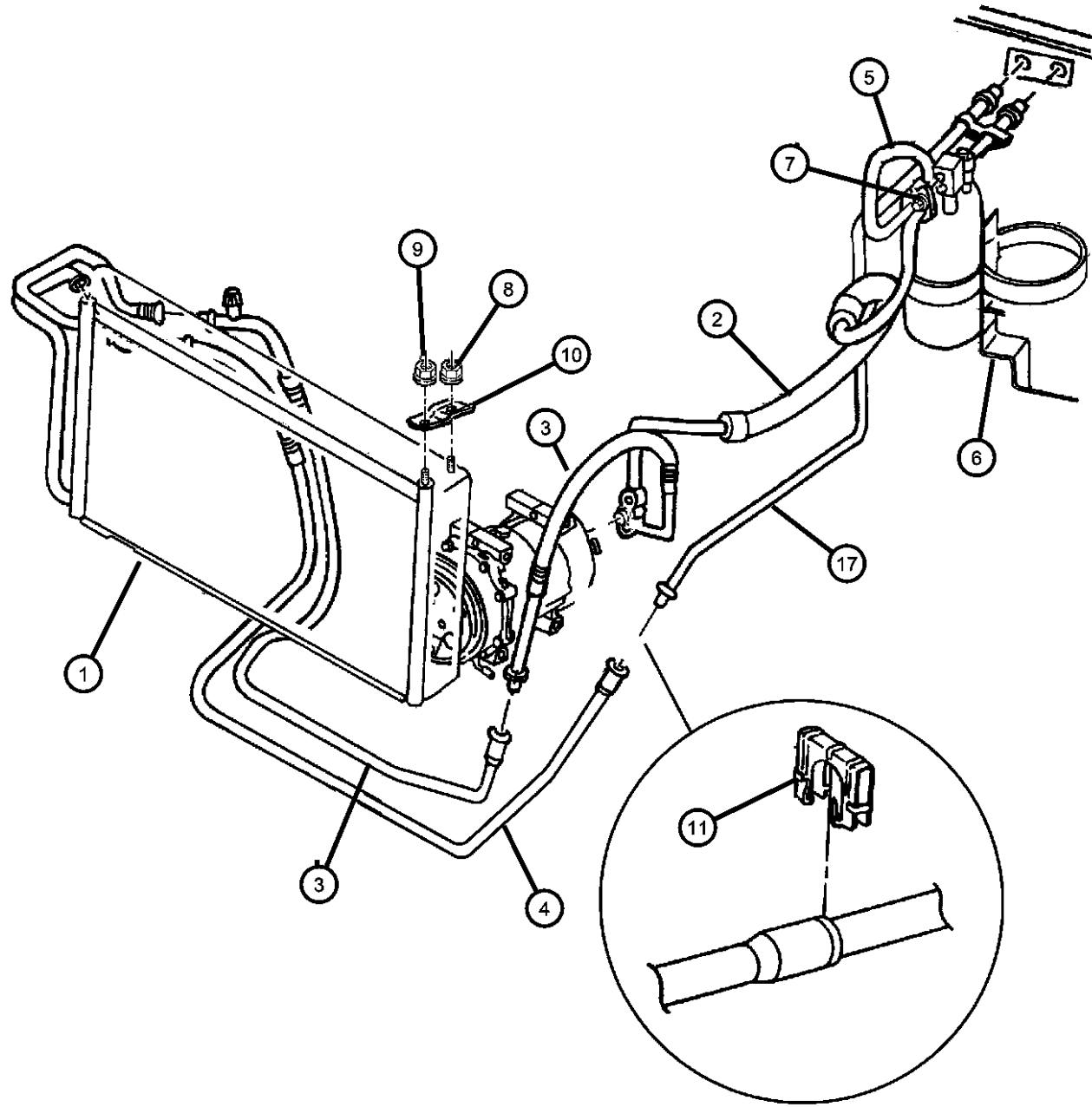
ENGINE
ENC = ENGINE - 2.5L 4 CYL TURBO DIESEL
EPE = ENGINE - 2.5L POWER TECH I-4 Cyl.
ERH = ENGINE - 4.0L POWER TECH I-6

TRANSMISSION
DDD = TRANSMISSION - 5-SPEED HD MANUAL
DDQ = TRANSMISSION - 5-SPEED MANUAL
DGD = TRANSMISSION - 3-SPD. AUTOMATIC,30RH
DGK = TRANSMISSION - 4-SPD. AUTOMATIC,42RE
DGS = TRANSMISSION-4SPD. AUTO,AISIN WARNER
DGT = TRANSMISSION - 4-SPD. AUTOMATIC,46RE
DGW = TRANSMISSION - 4-SPD. AUTOMATIC,44RE
DGX = TRANSMISSION - 4-SPEED AUTOMATIC
DBB = ALL MANUAL TRANSMISSIONS
DGO = ALL AUTOMATIC TRANSMISSIONS

AR = use ase required - = Non illustrated part

2000 XJ

Plumbing, Air Conditioning, 4.0L Engine, RHD
Figure 24-270



ITEM	PART NUMBER	QTY	LINE	SERIES	BODY	ENGINE	TRANS	TRIM	DESCRIPTION
Note: Sales Code ER0 = 4.0L Engine									
1	55037434AA	1	B, U			EP0, ER0			CONDENSER, A/C
2	55037748AA	1	B, U			ER0			LINE, A/C Suction & Discharge
3	55037559AA	1	B, U			ER0			LINE, A/C Discharge
4	55036633AC	1	B, U			ER0			LINE, A/C Liquid
5	55036649AC	1	B, U			EN0, ER0			ACCUMULATOR, Suction Line
6	55036620AD	1	B, U			ER0			BRACKET, Accumulator
7	11502628	2							BOLT, Hex Flange Head, M8x1.25x30
8	11502722	2				ER0, EN0			NUT, Hex Flange, M5x.8
9	06100814	2							NUT, Hex, M6
10	56002231	2							BRACKET, Radiator to Condenser
11									CLIP, A/C Quick Disconnect
	04596152	4	B, U			ER0			Discharge Line
	04596153	1							Suction Liquid Line
-12	05015792AA	1	B, U			ER0			SWITCH, A/C High Pressure Cut Off
-13	04796667	2	B, U			ER0			O RING, A/C Suction Line
-14	04723029	2	B, U			ER0			VALVE, A/C Discharge Line Check
-15	05264642	2	B, U			ER0			CAP, A/C Check Valve
-16	05264642	2							VALVE CORE, Service Port, (NOT SERVICED)
17	55037218AC	1	B, U			ER0			LINE, A/C Liquid
-18	55037347	1	B, U			ER0			JUNCTION BLOCK, Air Conditioning Lines

CHEROKEE (XJ)

SERIES	LINE
H = Sport	T = JEEP - 2WD
L = SE	B = JEEP - 2WD (RHD)
P = Classic	J = JEEP - 4WD
S = Limited	U = JEEP - 4WD (RHD)

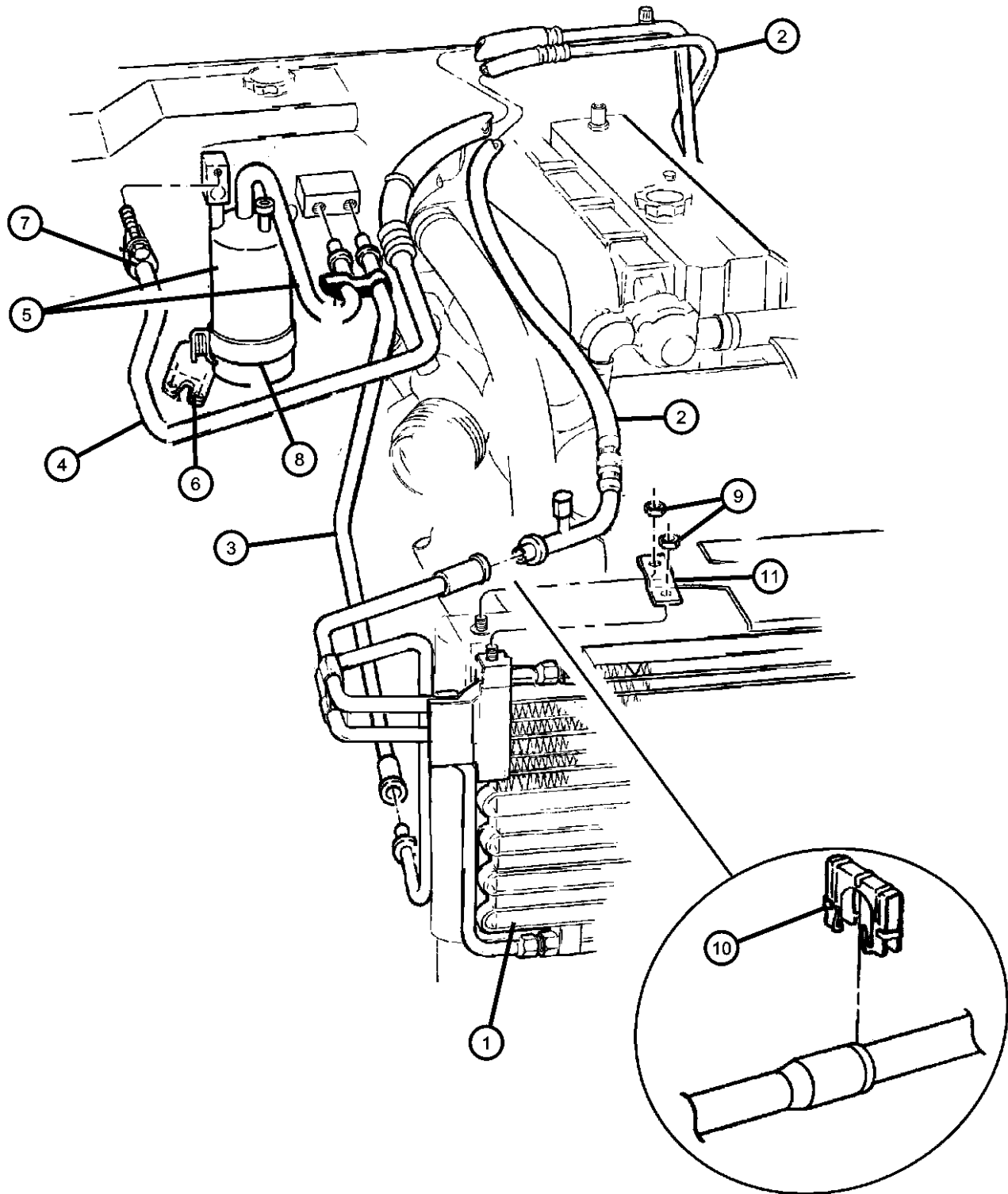
BODY
74 = 4 Dr (101.4WB)
72 = 2 Dr (101.4WB)

ENGINE
ENC = ENGINE - 2.5L 4 CYL TURBO DIESEL
EPE = ENGINE - 2.5L POWER TECH I-4 Cyl.
ERH = ENGINE - 4.0L POWER TECH I-6

TRANSMISSION
DDD = TRANSMISSION - 5-SPEED HD MANUAL
DDQ = TRANSMISSION - 5-SPEED MANUAL
DGD = TRANSMISSION - 3-SPD. AUTOMATIC,30RH
DGK = TRANSMISSION - 4-SPD. AUTOMATIC,42RE
DGS = TRANSMISSION-4SPD. AUTO,AISIN WARNER
DGT = TRANSMISSION - 4-SPD. AUTOMATIC,46RE
DGW = TRANSMISSION - 4-SPD. AUTOMATIC,44RE
DGX = TRANSMISSION - 4-SPEED AUTOMATIC
DBB = ALL MANUAL TRANSMISSIONS
DGO = ALL AUTOMATIC TRANSMISSIONS

AR = use ase required - = Non illustrated part

Plumbing, Air Conditioning, 2.5L Diesel Engine, LHD
Figure 24-280



ITEM	PART NUMBER	QTY	LINE	SERIES	BODY	ENGINE	TRANS	TRIM	DESCRIPTION
------	-------------	-----	------	--------	------	--------	-------	------	-------------

Note: Sales Code EN0 = 2.5L Diesel Engine

1	55036599AB	1				EN0			CONDENSER, A/C
2	55037366AB	1	J, T			EN0			LINE, A/C Suction
3	55036650	1	J, T			EN0			LINE, A/C Liquid
4	55037557AA	1	J, T			EN0			LINE, A/C Discharge
5	55036648AD	1	J, T			EN0			ACCUMULATOR, Suction Line
6	55036646	1	J, T			EN0			BRACKET, Accumulator
7	11502628	2							BOLT, Hex Flange Head, M8x1.25x30
8	55037410AB	1	J, T			EN0			BAND, Accumulator Retaining
9	06100814	2							NUT, Hex, M6
10	04596152	3				EN0			CLIP, A/C Quick Disconnect
11	56002231	2							BRACKET, Radiator to Condenser
-12	04740401	1	J, T			ER0			O RING, A/C Suction Line
-13	04723029	2	J, T			EN0			VALVE, A/C Discharge Line Check
-14	04723029	2							VALVE CORE, Service Port, (NOT SERVICED)

CHEROKEE (XJ)

SERIES	LINE
H = Sport	T = JEEP - 2WD
L = SE	B = JEEP - 2WD (RHD)
P = Classic	J = JEEP - 4WD
S = Limited	U = JEEP - 4WD (RHD)

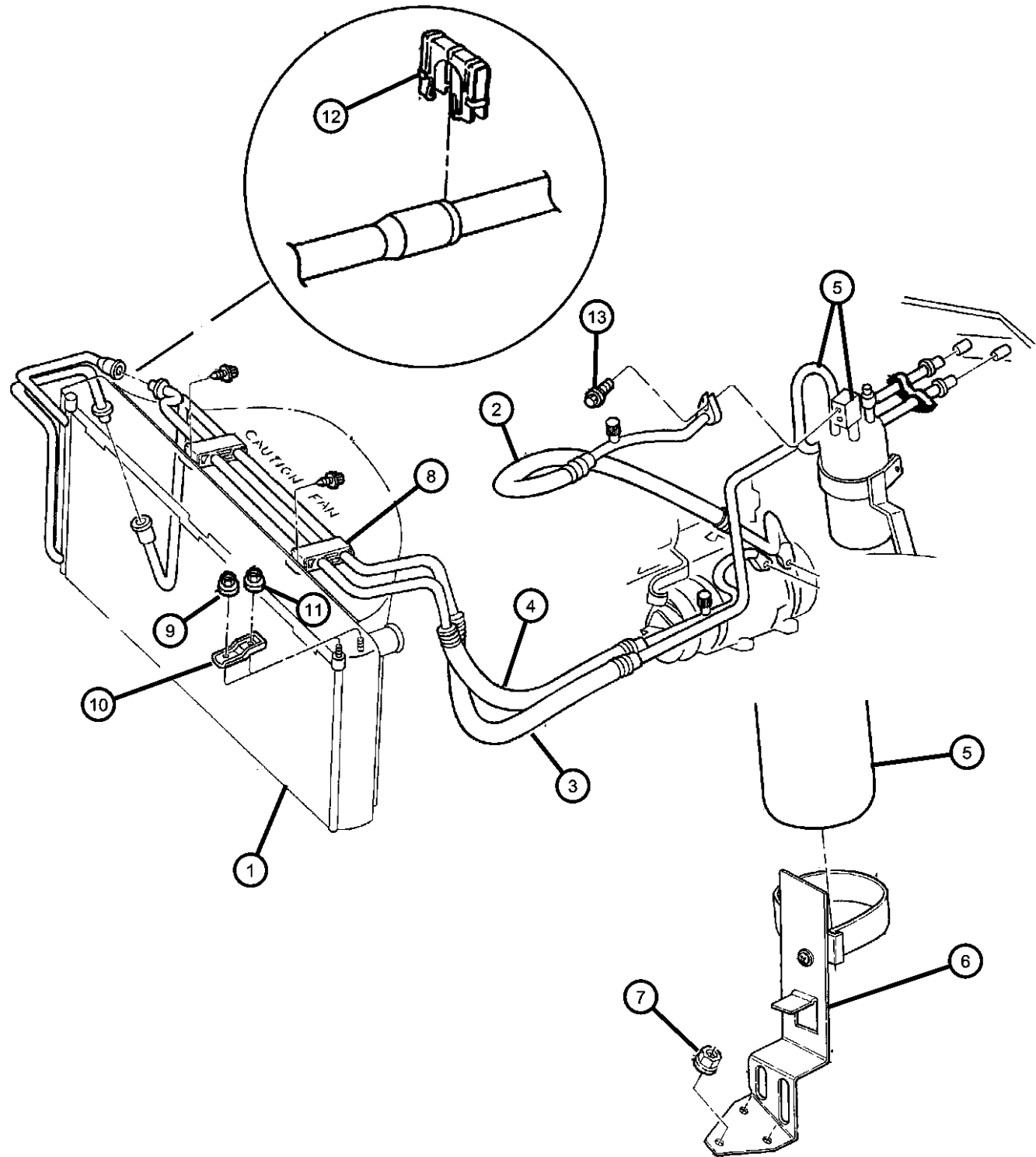
BODY
74 = 4 Dr (101.4WB)
72 = 2 Dr (101.4WB)

ENGINE	TRANSMISSION
ENC = ENGINE - 2.5L 4 CYL TURBO DIESEL	DDD = TRANSMISSION - 5-SPEED HD MANUAL
EPE = ENGINE - 2.5L POWER TECH I-4 Cyl.	DDQ = TRANSMISSION - 5-SPEED MANUAL
ERH = ENGINE - 4.0L POWER TECH I-6	DGD = TRANSMISSION - 3-SPD. AUTOMATIC,30RH
	DGK = TRANSMISSION - 4-SPD. AUTOMATIC,42RE
	DGS = TRANSMISSION-4SPD. AUTO,AISIN WARNER
	DGT = TRANSMISSION - 4-SPD. AUTOMATIC,46RE
	DGW = TRANSMISSION - 4-SPD. AUTOMATIC,44RE
	DGX = TRANSMISSION - 4-SPEED AUTOMATIC
	DBB = ALL MANUAL TRANSMISSIONS
	DGO = ALL AUTOMATIC TRANSMISSIONS

AR = use ase required - = Non illustrated part

2000 XJ

Plumbing, Air Conditioning, 2.5L Diesel Engine, RHD
Figure 24-290



ITEM	PART NUMBER	QTY	LINE	SERIES	BODY	ENGINE	TRANS	TRIM	DESCRIPTION
Note: Sales Code EN0 = 2.5L Diesel Engine									
1	55036599AB	1				EN0			CONDENSER, A/C
2	55036653AB	1	B, U			EN0			LINE, A/C Suction
3	55037494AB	1	B, U			EN0			LINE, A/C Liquid
4	55037560AA	1	B, U			EN0			LINE, A/C Discharge
5	55036649AC	1	B, U			EN0, ERO			ACCUMULATOR, Suction Line
6	55036647AB	1	B, U			EN0			BRACKET, Accumulator
7	06033560	1							NUT AND WASHER, Hex Nut-Coned Washer, .25-20
8	55037344	2	B, U			EN0			CLIP, Discharge Line
9	06100814	2							NUT, Hex, M6
10	56002231	2							BRACKET, Radiator to Condenser
11	11502722	2				EN0, ERO			NUT, Hex Flange, M5x.8
12	04596152	3				EN0			CLIP, A/C Quick Disconnect
13	11502628	2							BOLT, Hex Flange Head, M8x1.25x30
-14	04740401	2	B, U			EP0			O RING, A/C Suction Line
-15	04882334	1	B, U			EN0			VALVE, A/C Discharge Line Check
-16	04882335	1	B, U			EN0			CAP, A/C Check Valve
-17	04882335	1							VALVE CORE, Service Port, (NOT SERVICED)
-18	04728856	1	B, U			EN0			SPRING, Quick Disconnect
-19	04741705	2	B, U			EN0			O RING, A/C Liquid Line

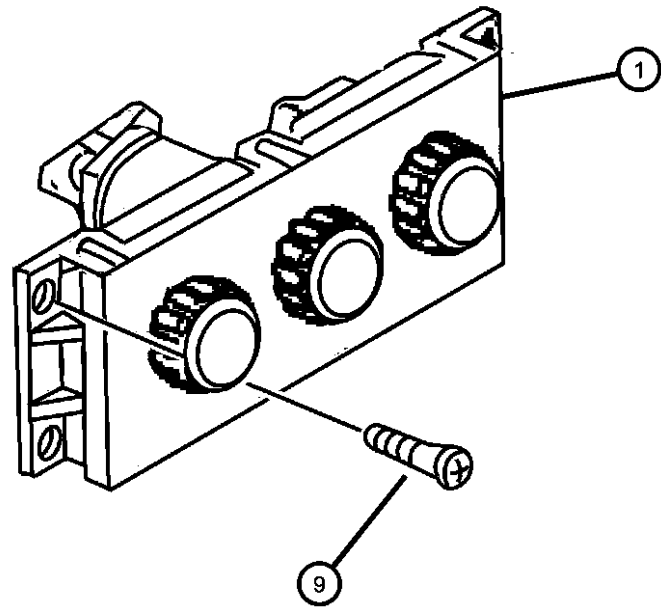
CHEROKEE (XJ)

SERIES	LINE	BODY	ENGINE	TRANSMISSION
H = Sport	T = JEEP - 2WD	74 = 4 Dr (101.4WB)	ENC = ENGINE - 2.5L 4 CYL TURBO DIESEL	DDD = TRANSMISSION - 5-SPEED HD MANUAL
L = SE	B = JEEP - 2WD (RHD)	72 = 2 Dr (101.4WB)	EPE = ENGINE - 2.5L POWER TECH I-4 Cyl.	DDQ = TRANSMISSION - 5-SPEED MANUAL
P = Classic	J = JEEP - 4WD		ERH = ENGINE - 4.0L POWER TECH I-6	DGD = TRANSMISSION - 3-SPD. AUTOMATIC,30RH
S = Limited	U = JEEP - 4WD (RHD)			DGK = TRANSMISSION - 4-SPD. AUTOMATIC,42RE
				DGS = TRANSMISSION-4SPD. AUTO,AISIN WARNER
				DGT = TRANSMISSION - 4-SPD. AUTOMATIC,46RE
				DGW = TRANSMISSION - 4-SPD. AUTOMATIC,44RE
				DGX = TRANSMISSION - 4-SPEED AUTOMATIC
				DBB = ALL MANUAL TRANSMISSIONS
				DGO = ALL AUTOMATIC TRANSMISSIONS

AR = use ase required - = Non illustrated part

**Control, Heater and Air Conditioning
Figure 24-310**

ITEM	PART NUMBER	QTY	LINE	SERIES	BODY	ENGINE	TRANS	TRIM	DESCRIPTION
Note: Sales Code EP0 = 2.5L Gas Engine									
1	05011343AB	1							CONTROL, A/C And Heater
-2	04882861	3							KNOB, A/C And Heater Control - Slide
-3	55036909AC	1	J, T			EP0			VACUUM HARNESS, Heater and A/C
-4	05003281AA	1							BULB, Heater and A/C Control
-5	05011342AB	1							CONTROL, Heater
-6	04882861	3							KNOB, A/C And Heater Control - Slide
-7	05011340AB	1							HARNESS, Heater Vacuum
-8	05003281AA	1							BULB, Heater and A/C Control
9	06032723	2							SCREW, Self Tapping, M4.2x1.69x19.05
-10	55036909AC	1	J, T			EP0			VACUUM HARNESS, Heater and A/C



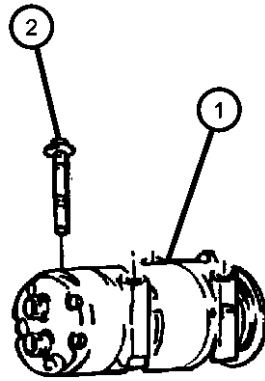
CHEROKEE (XJ)

SERIES	LINE	BODY	ENGINE	TRANSMISSION
H = Sport	T = JEEP - 2WD	74 = 4 Dr (101.4WB)	ENC = ENGINE - 2.5L 4 CYL TURBO DIESEL	DDD = TRANSMISSION - 5-SPEED HD MANUAL
L = SE	B = JEEP - 2WD (RHD)	72 = 2 Dr (101.4WB)	EPE = ENGINE - 2.5L POWER TECH I-4 Cyl.	DDQ = TRANSMISSION - 5-SPEED MANUAL
P = Classic	J = JEEP - 4WD		ERH = ENGINE - 4.0L POWER TECH I-6	DGD = TRANSMISSION - 3-SPD. AUTOMATIC,30RH
S = Limited	U = JEEP - 4WD (RHD)			DGK = TRANSMISSION - 4-SPD. AUTOMATIC,42RE
				DGS = TRANSMISSION-4SPD. AUTO,AISIN WARNER
				DGT = TRANSMISSION - 4-SPD. AUTOMATIC,46RE
				DGW = TRANSMISSION - 4-SPD. AUTOMATIC,44RE
				DGX = TRANSMISSION - 4-SPEED AUTOMATIC
				DBB = ALL MANUAL TRANSMISSIONS
				DGO = ALL AUTOMATIC TRANSMISSIONS

AR = use ase required - = Non illustrated part

**Compressor, Air Conditioning, 2.5,4.0L Gas Engines
Figure 24-410**

ITEM	PART NUMBER	QTY	LINE	SERIES	BODY	ENGINE	TRANS	TRIM	DESCRIPTION
Note: Sales Code EP0 = 2.5L Gas Engine Note: Sales Code ER0 = 4.0L Engine									
1	55037205AI	1				EP0			COMPRESSOR, Air Conditioning With Clutch
		1	J, T			ER0			
	55037214AC	1	B, U			ER0			
2	55037214AC	1							STUD, (NOT SERVICED)
-3									CLUTCH, A/C Compressor
	05015314AA	1				EP0			
		1	J, T			ER0			
	05015315AA	1	B, U			ER0			



CHEROKEE (XJ)

SERIES	LINE	BODY	ENGINE	TRANSMISSION
H = Sport	T = JEEP - 2WD	74 = 4 Dr (101.4WB)	ENC = ENGINE - 2.5L 4 CYL TURBO DIESEL	DDD = TRANSMISSION - 5-SPEED HD MANUAL
L = SE	B = JEEP - 2WD (RHD)	72 = 2 Dr (101.4WB)	EPE = ENGINE - 2.5L POWER TECH I-4 Cyl.	DDQ = TRANSMISSION - 5-SPEED MANUAL
P = Classic	J = JEEP - 4WD		ERH = ENGINE - 4.0L POWER TECH I-6	DGD = TRANSMISSION - 3-SPD. AUTOMATIC,30RH
S = Limited	U = JEEP - 4WD (RHD)			DGK = TRANSMISSION - 4-SPD. AUTOMATIC,42RE
				DGS = TRANSMISSION-4SPD. AUTO,AISIN WARNER
				DGT = TRANSMISSION - 4-SPD. AUTOMATIC,46RE
				DGW = TRANSMISSION - 4-SPD. AUTOMATIC,44RE
				DGX = TRANSMISSION - 4-SPEED AUTOMATIC
				DBB = ALL MANUAL TRANSMISSIONS
				DGO = ALL AUTOMATIC TRANSMISSIONS

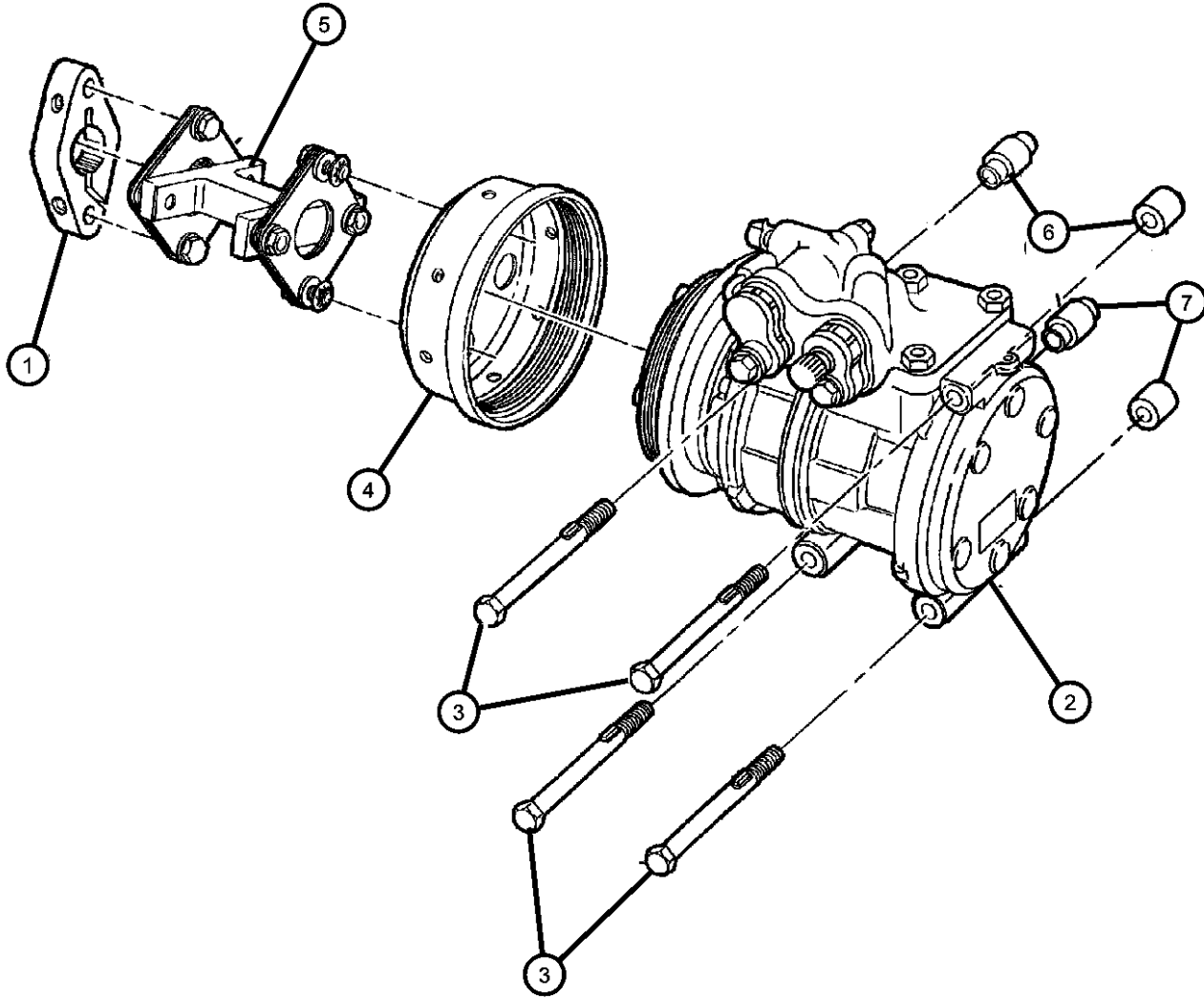
AR = use ase required - = Non illustrated part

Compressor, Air Conditioning, 2.5L Diesel Engine
Figure 24-415

ITEM	PART NUMBER	QTY	LINE	SERIES	BODY	ENGINE	TRANS	TRIM	DESCRIPTION
------	-------------	-----	------	--------	------	--------	-------	------	-------------

Note: Sales Code EN0 = 2.5L Diesel Engine

1	04864600	1				EN0			FLANGE, Accessory Drive
2	55037556AA	1				EN0			COMPRESSOR, Air Conditioning
3	06503802	4				EN0			SCREW, M8-1.25
4	04797754	1				EN0			CUP, A/C DRIVE
5	04797720AB	1				EN0			SHAFT, Power Steering Pump
6	55036677	2				EN0			SPACER, A/C Compressor
7	55036678	2				EN0			SPACER, A/C Compressor



CHEROKEE (XJ)

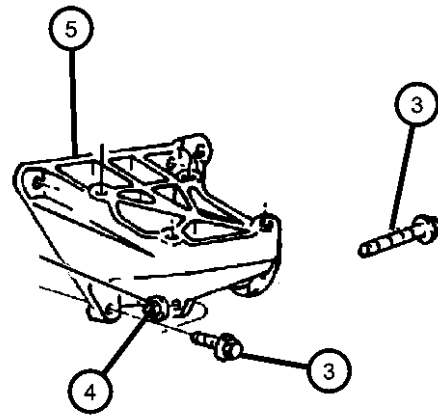
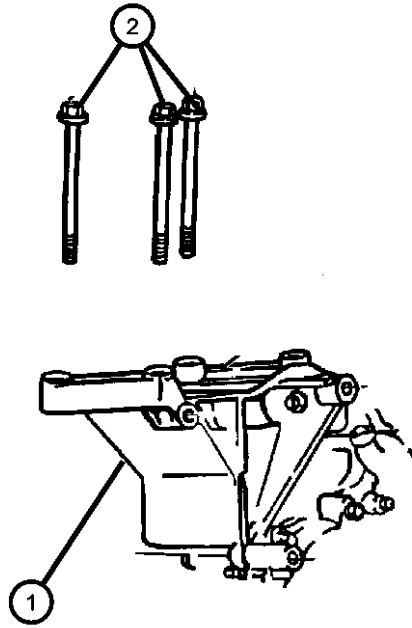
SERIES	LINE	BODY	ENGINE	TRANSMISSION
H = Sport	T = JEEP - 2WD	74 = 4 Dr (101.4WB)	ENC = ENGINE - 2.5L 4 CYL TURBO DIESEL	DDD = TRANSMISSION - 5-SPEED HD MANUAL
L = SE	B = JEEP - 2WD (RHD)	72 = 2 Dr (101.4WB)	EPE = ENGINE - 2.5L POWER TECH I-4 Cyl.	DDQ = TRANSMISSION - 5-SPEED MANUAL
P = Classic	J = JEEP - 4WD		ERH = ENGINE - 4.0L POWER TECH I-6	DGD = TRANSMISSION - 3-SPD. AUTOMATIC,30RH
S = Limited	U = JEEP - 4WD (RHD)			DGK = TRANSMISSION - 4-SPD. AUTOMATIC,42RE
				DGS = TRANSMISSION-4SPD. AUTO,AISIN WARNER
				DGT = TRANSMISSION - 4-SPD. AUTOMATIC,46RE
				DGW = TRANSMISSION - 4-SPD. AUTOMATIC,44RE
				DGX = TRANSMISSION - 4-SPEED AUTOMATIC
				DBB = ALL MANUAL TRANSMISSIONS
				DGO = ALL AUTOMATIC TRANSMISSIONS

AR = use ase required - = Non illustrated part

2000 XJ

**Compressor Mounting
Figure 24-510**

ITEM	PART NUMBER	QTY	LINE	SERIES	BODY	ENGINE	TRANS	TRIM	DESCRIPTION
Note: Sales Code EP0 = 2.5L Gas Engine Note: Sales Code ER0 = 4.0L Engine									
1	53010207	1	J, T			EP0			BRACKET, Alternator And Compressor
2	06502957	1	J, T			ER0			BOLT, Hex Flange Head, M10-1.5x90.0
3	J4007073	2							SCREW AND WASHER, .375-16x1.125
4									NUT, Hex Flange, M10x1.5
	06502135	1	J, T			EP0			
		1	J, T			ER0			
5	53011002	1	J, T			ER0			BRACKET, A/C Compressor

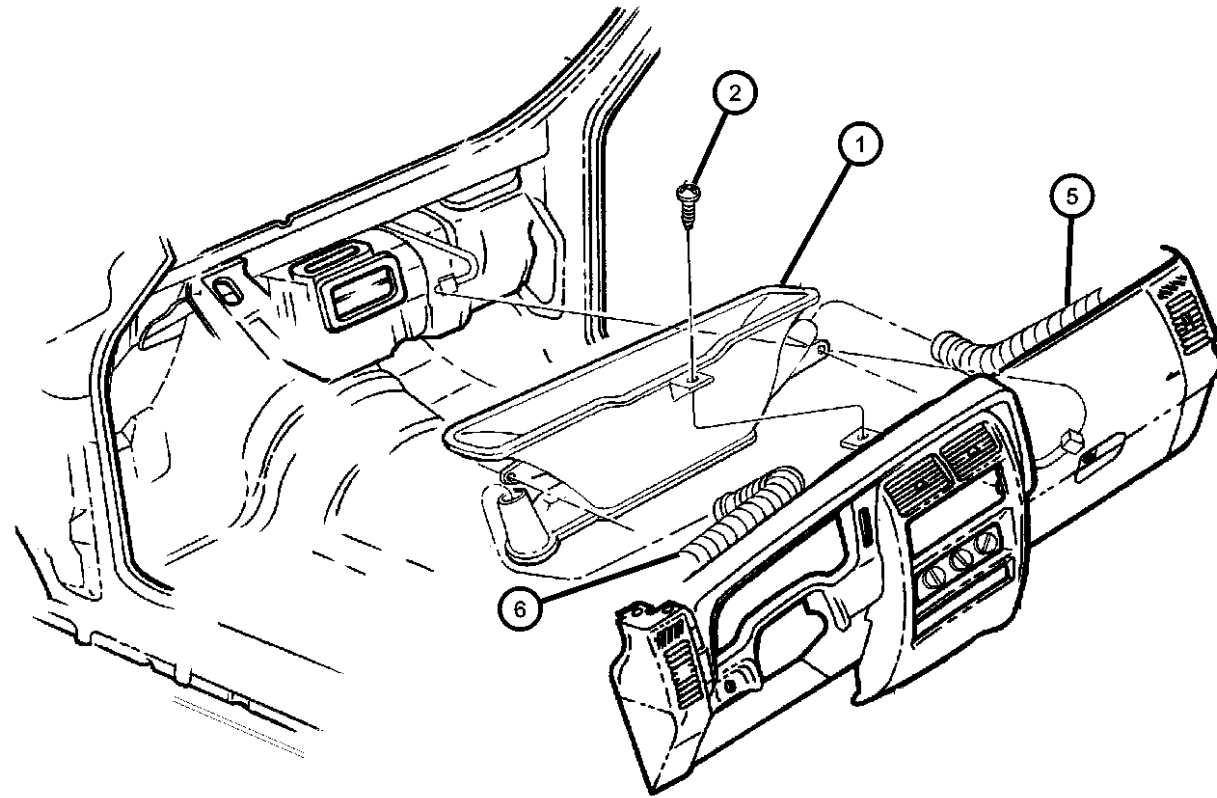


CHEROKEE (XJ)

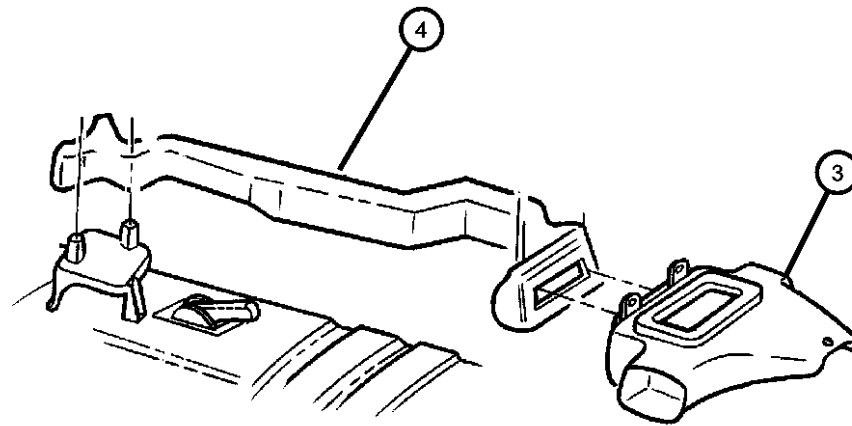
SERIES	LINE	BODY	ENGINE	TRANSMISSION
H = Sport	T = JEEP - 2WD	74 = 4 Dr (101.4WB)	ENC = ENGINE - 2.5L 4 CYL TURBO DIESEL	DDD = TRANSMISSION - 5-SPEED HD MANUAL
L = SE	B = JEEP - 2WD (RHD)	72 = 2 Dr (101.4WB)	EPE = ENGINE - 2.5L POWER TECH I-4 Cyl.	DDQ = TRANSMISSION - 5-SPEED MANUAL
P = Classic	J = JEEP - 4WD		ERH = ENGINE - 4.0L POWER TECH I-6	DGD = TRANSMISSION - 3-SPD. AUTOMATIC,30RH
S = Limited	U = JEEP - 4WD (RHD)			DGK = TRANSMISSION - 4-SPD. AUTOMATIC,42RE
				DGS = TRANSMISSION-4SPD. AUTO,AISIN WARNER
				DGT = TRANSMISSION - 4-SPD. AUTOMATIC,46RE
				DGW = TRANSMISSION - 4-SPD. AUTOMATIC,44RE
				DGX = TRANSMISSION - 4-SPEED AUTOMATIC
				DBB = ALL MANUAL TRANSMISSIONS
				DGO = ALL AUTOMATIC TRANSMISSIONS

AR = use ase required - = Non illustrated part

**Air Distribution Ducts
Figure 24-610**



ITEM	PART NUMBER	QTY	LINE	SERIES	BODY	ENGINE	TRANS	TRIM	DESCRIPTION
1									DUCT, Defroster
	55036682	1	J, T						
	55036683	1	B, U						
2	06032723	3							SCREW, Self Tapping, M4.2x1.69x19.05
3									DUCT, Floor Console
	55036869	1	J, T						
	55036870	1	B, U						
4	55036789AB	1							DUCT, Rear Floor Heat
5	55115494	1	B, U						HOSE, Demister, Right
6	55115495	1	B, U						HOSE, Demister, Left
-7	55037040	1	B, U						DUCT, DemisterRight



CHEROKEE (XJ)

SERIES	LINE
H = Sport	T = JEEP - 2WD
L = SE	B = JEEP - 2WD (RHD)
P = Classic	J = JEEP - 4WD
S = Limited	U = JEEP - 4WD (RHD)

BODY
74 = 4 Dr (101.4WB)
72 = 2 Dr (101.4WB)

ENGINE
ENC = ENGINE - 2.5L 4 CYL TURBO DIESEL
EPE = ENGINE - 2.5L POWER TECH I-4 Cyl.
ERH = ENGINE - 4.0L POWER TECH I-6

TRANSMISSION
DDD = TRANSMISSION - 5-SPEED HD MANUAL
DDQ = TRANSMISSION - 5-SPEED MANUAL
DGD = TRANSMISSION - 3-SPD. AUTOMATIC,30RH
DGK = TRANSMISSION - 4-SPD. AUTOMATIC,42RE
DGS = TRANSMISSION-4SPD. AUTO,AISIN WARNER
DGT = TRANSMISSION - 4-SPD. AUTOMATIC,46RE
DGW = TRANSMISSION - 4-SPD. AUTOMATIC,44RE
DGX = TRANSMISSION - 4-SPEED AUTOMATIC
DBB = ALL MANUAL TRANSMISSIONS
DGO = ALL AUTOMATIC TRANSMISSIONS

AR = use ase required - = Non illustrated part

Group - 25

Emission Systems

Group - 25 Emission Systems

Illustration Title

Group-Fig. No.

Emission Labels

Emission Labels Fig. 25 - 120

EGR System

EGR System Fig. 25 - 220

Vacuum Canister

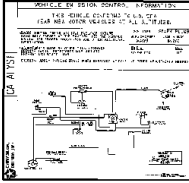
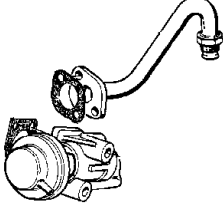
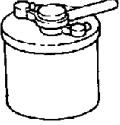
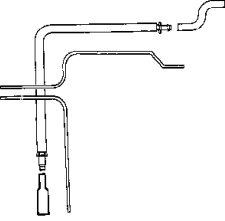
Vacuum Canister Fig. 25 - 335

Emission Harness

Emission Control Vacuum Harness Fig. 25 - 430

Emission Control Vacuum Harness Fig. 25 - 450

Leak Detection Pump Fig. 25 - 460

<p>025-100 Emission Labels</p> 	<p>025-200 EGR System</p> 	<p>025-300 Vacuum Canister</p> 	<p>025-400 Emission Harness</p> 
--	--	---	--

Emission Labels
Figure 25-120

ITEM	PART NUMBER	QTY	LINE	SERIES	BODY	ENGINE	TRANS	TRIM	DESCRIPTION
------	-------------	-----	------	--------	------	--------	-------	------	-------------

NOTE: EN0=All 2.5L Diesel Engines, EPE= 2.5L Power Tech I-4, ERH= 4.0L Power Tech I-6,
DBB= Manual Transmissions, DGS= 4 Speed Automatic Transmissions

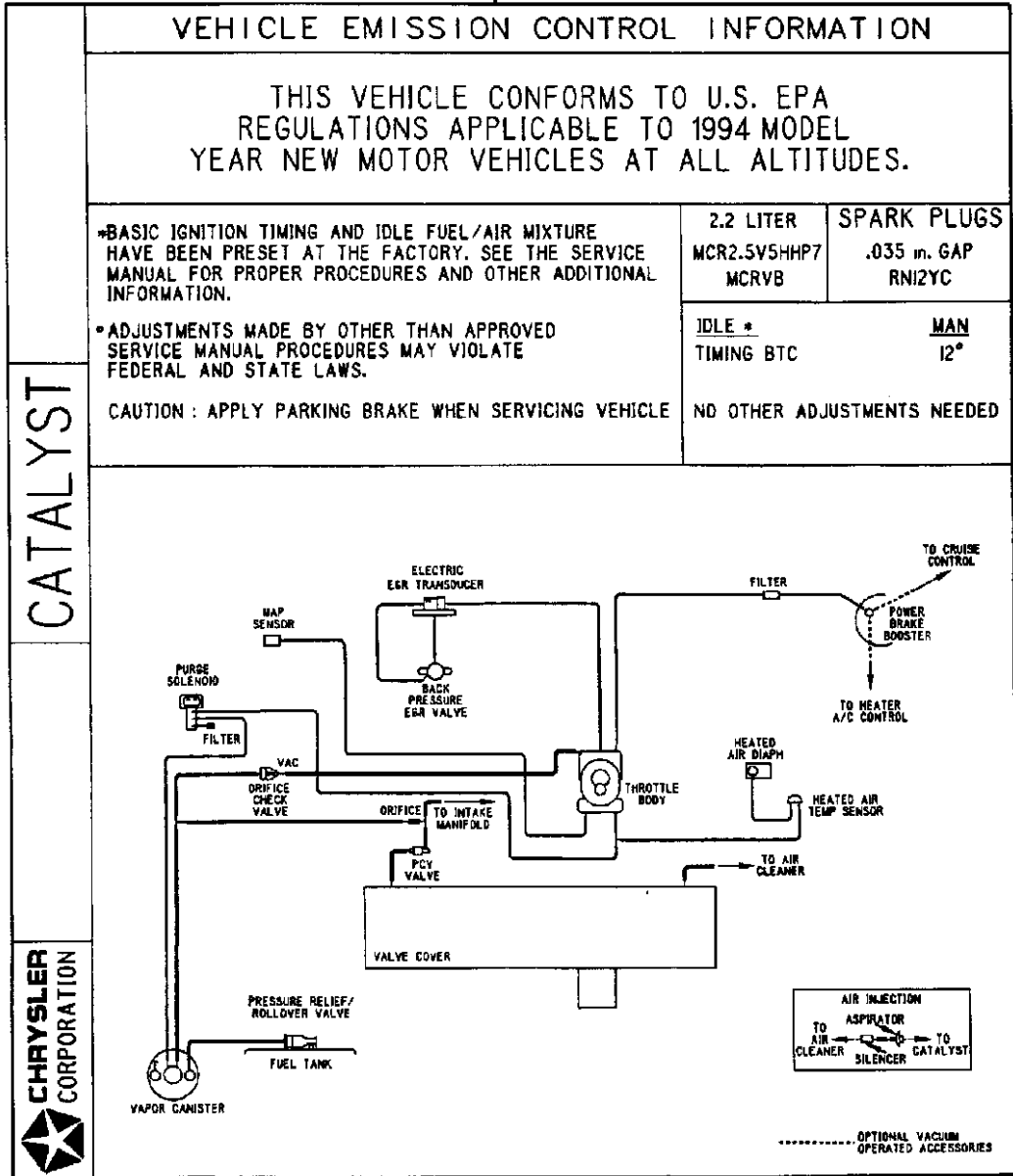
ITEM	PART NUMBER	QTY	LINE	SERIES	BODY	ENGINE	TRANS	TRIM	DESCRIPTION
1									LABEL, Emission
	53013446AA	1	J		72	ERH	DGS		Federal
		1	J		74	ERH			Federal
		1	U			ERH	DGS		Federal
	53013447AA	1	J		72	ERH	DGS		Canada
		1	J		74	ERH			Canada
	53013448AA	1				ERH			Europe II
	53013449AA	1	B, T			ERH			Federal
		1	J		72	ERH	DBB		Federal, (H) Series
		1	J		72	ERH			Federal, (L) Series
	53013450AA	1	B, T			ERH			Canada
		1	J		72	ERH	DBB		Canada, (H) Series
		1	J		72	ERH			Canada, (L) Series
	53013451AA	1	B, T			ERH			California
		1	J		72	ERH	DBB		California
		1	J		72	ERH	DGS		California, (L) Series
		1	B, T			ERH			Northeastern States
		1	J		72	ERH	DBB		Northeastern States
		1	J		72	ERH	DGS		Northeastern States, (L) Series
	53013452AA	1				ERH			Europe III
	53013453AA	1	J		72	ERH	DGS		California, (H) Series
		1	J		74	ERH			California
		1	U			ERH			California
		1	J		72	ERH	DGS		Northeastern States, (H) Series

CHEROKEE (XJ)

SERIES	LINE	BODY	ENGINE	TRANSMISSION
H = Sport	T = JEEP - 2WD	74 = 4 Dr (101.4WB)	ENC = ENGINE - 2.5L 4 CYL TURBO DIESEL	DDD = TRANSMISSION - 5-SPEED HD MANUAL
L = SE	B = JEEP - 2WD (RHD)	72 = 2 Dr (101.4WB)	EPE = ENGINE - 2.5L POWER TECH I-4 Cyl.	DDQ = TRANSMISSION - 5-SPEED MANUAL
P = Classic	J = JEEP - 4WD		ERH = ENGINE - 4.0L POWER TECH I-6	DGD = TRANSMISSION - 3-SPD. AUTOMATIC,30RH
S = Limited	U = JEEP - 4WD (RHD)			DGK = TRANSMISSION - 4-SPD. AUTOMATIC,42RE
				DGS = TRANSMISSION-4SPD. AUTO,AISIN WARNER
				DGT = TRANSMISSION - 4-SPD. AUTOMATIC,46RE
				DGW = TRANSMISSION - 4-SPD. AUTOMATIC,44RE
				DGX = TRANSMISSION - 4-SPEED AUTOMATIC
				DBB = ALL MANUAL TRANSMISSIONS
				DGO = ALL AUTOMATIC TRANSMISSIONS

AR = use ase required - = Non illustrated part

2000 XJ



Emission Labels
Figure 25-120

ITEM	PART NUMBER	QTY	LINE	SERIES	BODY	ENGINE	TRANS	TRIM	DESCRIPTION
		1	J		74	ERH			Northeastern States
		1	U			ERH			Northeastern States
	53014004AA	1	J, U			EN0			Australia
	53032266AA	1				EPE			Federal
	53032267AA	1				EPE			Canada
	53032271AA	1				EPE			Europe II
	53032272AA	1				EPE			California
		1				EPE			Northeastern States

VEHICLE EMISSION CONTROL INFORMATION

THIS VEHICLE CONFORMS TO U.S. EPA REGULATIONS APPLICABLE TO 1994 MODEL YEAR NEW MOTOR VEHICLES AT ALL ALTITUDES.

*BASIC IGNITION TIMING AND IDLE FUEL/AIR MIXTURE HAVE BEEN PRESET AT THE FACTORY. SEE THE SERVICE MANUAL FOR PROPER PROCEDURES AND OTHER ADDITIONAL INFORMATION. *ADJUSTMENTS MADE BY OTHER THAN APPROVED SERVICE MANUAL PROCEDURES MAY VIOLATE FEDERAL AND STATE LAWS. CAUTION: APPLY PARKING BRAKE WHEN SERVICING VEHICLE	2.2 LITER MCR2.5V5HHP7 MCRVB	SPARK PLUGS .035 in. GAP RN12YC
IDLE * TIMING BTC	MAN 12° NO OTHER ADJUSTMENTS NEEDED	

VALVE COVER

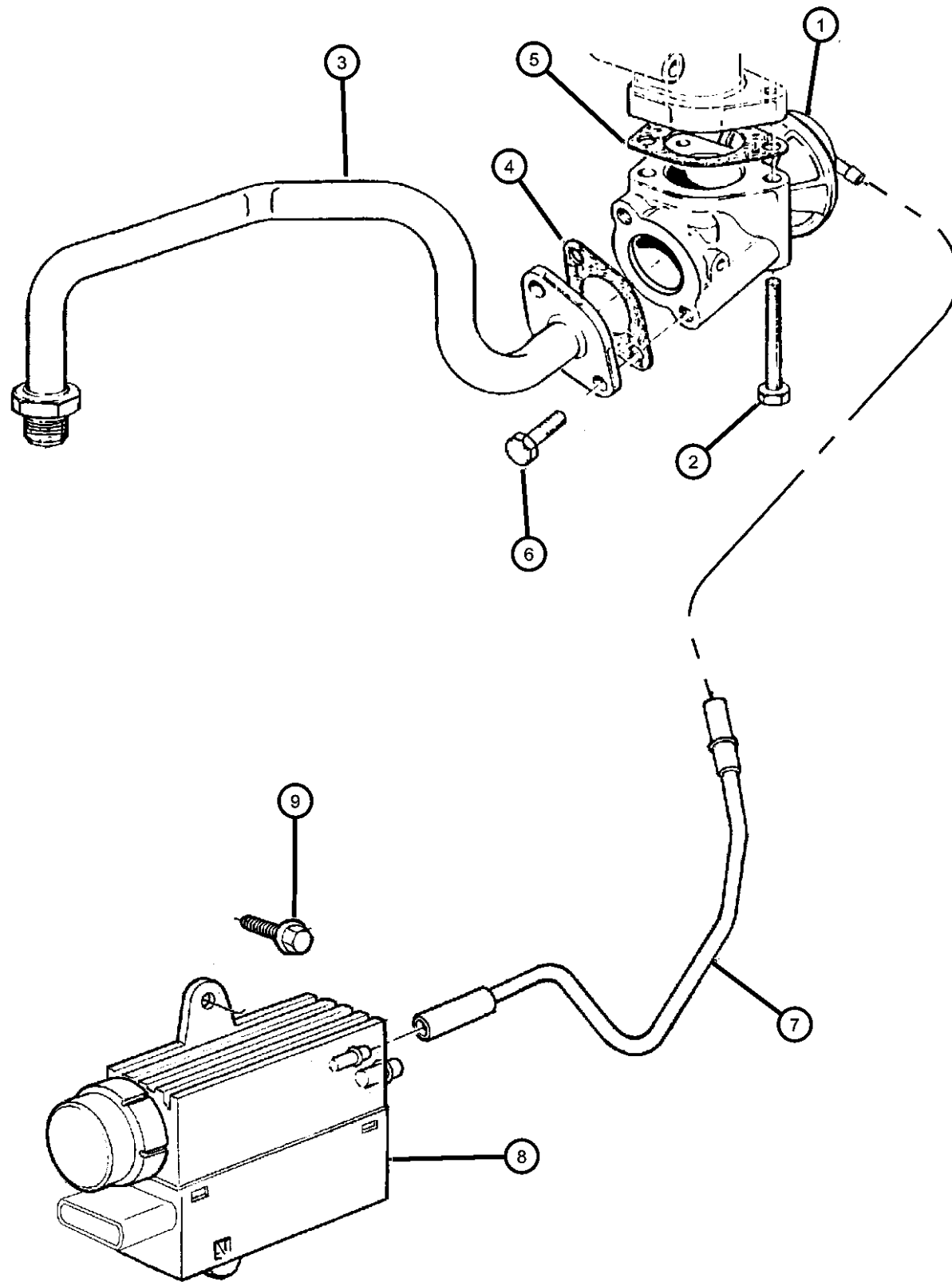
AIR INJECTION ASPIRATOR
TO AIR CLEANER TO SILENCER TO CATALYST

..... OPTIONAL VACUUM OPERATED ACCESSORIES

CHEROKEE (XJ)				
SERIES	LINE	BODY	ENGINE	TRANSMISSION
H = Sport	T = JEEP - 2WD	74 = 4 Dr (101.4WB)	ENC = ENGINE - 2.5L 4 CYL TURBO DIESEL	DDD = TRANSMISSION - 5-SPEED HD MANUAL
L = SE	B = JEEP - 2WD (RHD)	72 = 2 Dr (101.4WB)	EPE = ENGINE - 2.5L POWER TECH I-4 Cyl.	DDQ = TRANSMISSION - 5-SPEED MANUAL
P = Classic	J = JEEP - 4WD		ERH = ENGINE - 4.0L POWER TECH I-6	DGD = TRANSMISSION - 3-SPD. AUTOMATIC,30RH
S = Limited	U = JEEP - 4WD (RHD)			DGK = TRANSMISSION - 4-SPD. AUTOMATIC,42RE
				DGS = TRANSMISSION-4SPD. AUTO,AISIN WARNER
				DGT = TRANSMISSION - 4-SPD. AUTOMATIC,46RE
				DGW = TRANSMISSION - 4-SPD. AUTOMATIC,44RE
				DGX = TRANSMISSION - 4-SPEED AUTOMATIC
				DBB = ALL MANUAL TRANSMISSIONS
				DGO = ALL AUTOMATIC TRANSMISSIONS

AR = use ase required - = Non illustrated part

**EGR System
Figure 25-220**



ITEM	PART NUMBER	QTY	LINE	SERIES	BODY	ENGINE	TRANS	TRIM	DESCRIPTION
------	-------------	-----	------	--------	------	--------	-------	------	-------------

NOTE: EN0=All 2.5L Diesel Engines

1	04882409	1				EN0			VALVE, EGR
2	05003565AA	2				EN0			BOLT
3	04864751	1				EN0			PIPE, EGR to Manifold
4	04720208	1				EN0			GASKET, EGR Tube Flange
5	05017196AA	1				EN0			GASKET, EGR Tube
6	04864537	1				EN0			BOLT, 8Mx20
7	53031542	1				EN0			TUBE, Exhaust Gas Recovery
8	56027094	1				EN0			MODULATOR, Vacuum Electric
9	56027094	1							SCREW/WASHER, Hex Head, .250-14x.500, (NOT SERVICED)

CHEROKEE (XJ)

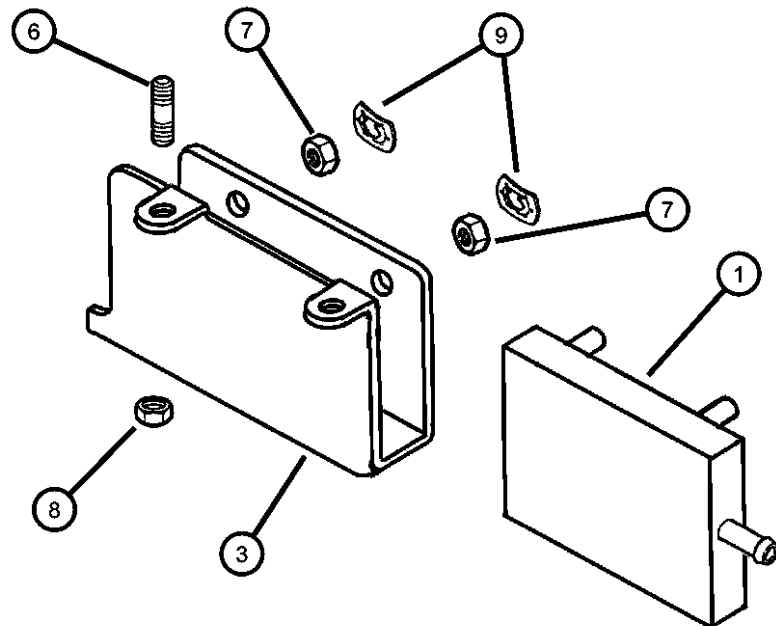
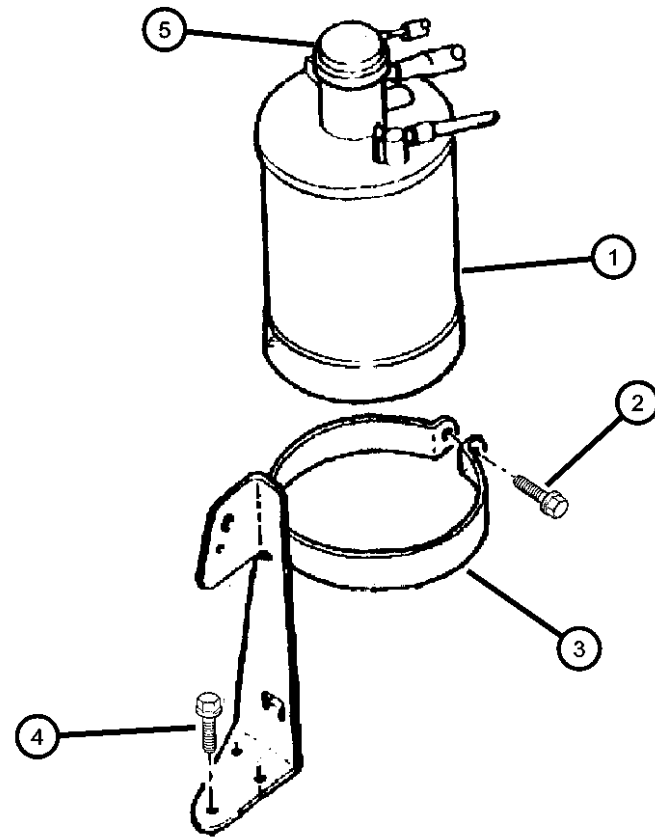
SERIES	LINE	BODY	ENGINE	TRANSMISSION
H = Sport	T = JEEP - 2WD	74 = 4 Dr (101.4WB)	ENC = ENGINE - 2.5L 4 CYL TURBO DIESEL	DDD = TRANSMISSION - 5-SPEED HD MANUAL
L = SE	B = JEEP - 2WD (RHD)	72 = 2 Dr (101.4WB)	EPE = ENGINE - 2.5L POWER TECH I-4 Cyl.	DDQ = TRANSMISSION - 5-SPEED MANUAL
P = Classic	J = JEEP - 4WD		ERH = ENGINE - 4.0L POWER TECH I-6	DGD = TRANSMISSION - 3-SPD. AUTOMATIC,30RH
S = Limited	U = JEEP - 4WD (RHD)			DGK = TRANSMISSION - 4-SPD. AUTOMATIC,42RE
				DGS = TRANSMISSION-4SPD. AUTO,AISIN WARNER
				DGT = TRANSMISSION - 4-SPD. AUTOMATIC,46RE
				DGW = TRANSMISSION - 4-SPD. AUTOMATIC,44RE
				DGX = TRANSMISSION - 4-SPEED AUTOMATIC
				DBB = ALL MANUAL TRANSMISSIONS
				DGO = ALL AUTOMATIC TRANSMISSIONS

AR = use ase required - = Non illustrated part

2000 XJ

Vacuum Canister
Figure 25-335

ITEM	PART NUMBER	QTY	LINE	SERIES	BODY	ENGINE	TRANS	TRIM	DESCRIPTION
Note: EPO= All 2.5L Gas Engines, ERO= All 4.0L Gas Engines									
1	04854112	1				EP0, ERO			CANISTER, Vapor Federal, California
	53031904AB	1				EP0, ERO			Europe II, Leaded Fuel
2	J9420882	1				EP0, ERO			SCREW, Hex Flange Head, .25-14x1.50
3	53007836	1	J, T			EP0, ERO			BRACKET, Vapor Canister Europe II, Leaded Fuel
	53013040AC	1				EP0, ERO			Federal, California
4	06035058	3	J, T			EP0, ERO			SCREW, Hex Flange Head, .19-16x.50
5	04192074	1				EP0, ERO			CAP, Vapor Canister
6	06503951	2				EP0, ERO			STUD, M6X1.00X.250-14X30.00
7	04669177	2				EP0, ERO			GROMMET, Air Cleaner Bracket
8	06500284	2				EP0, ERO			NUT, Hex, M6x1.00
9	00441263	2				EP0, ERO			NUT, Push
-10	52100162AE	1				ERO			TUBE, Fuel Vapor
-11	53013041AD	1	J, T			EP0, ERO			Canister
	53013256AB	1	U			EP0, ERO			Canister



CHEROKEE (XJ)

SERIES	LINE
H = Sport	T = JEEP - 2WD
L = SE	B = JEEP - 2WD (RHD)
P = Classic	J = JEEP - 4WD
S = Limited	U = JEEP - 4WD (RHD)

BODY
74 = 4 Dr (101.4WB)
72 = 2 Dr (101.4WB)

ENGINE
ENC = ENGINE - 2.5L 4 CYL TURBO DIESEL
EPE = ENGINE - 2.5L POWER TECH I-4 Cyl.
ERH = ENGINE - 4.0L POWER TECH I-6

TRANSMISSION
DDD = TRANSMISSION - 5-SPEED HD MANUAL
DDQ = TRANSMISSION - 5-SPEED MANUAL
DGD = TRANSMISSION - 3-SPD. AUTOMATIC,30RH
DGK = TRANSMISSION - 4-SPD. AUTOMATIC,42RE
DGS = TRANSMISSION-4SPD. AUTO,AISIN WARNER
DGT = TRANSMISSION - 4-SPD. AUTOMATIC,46RE
DGW = TRANSMISSION - 4-SPD. AUTOMATIC,44RE
DGX = TRANSMISSION - 4-SPEED AUTOMATIC
DBB = ALL MANUAL TRANSMISSIONS
DGO = ALL AUTOMATIC TRANSMISSIONS

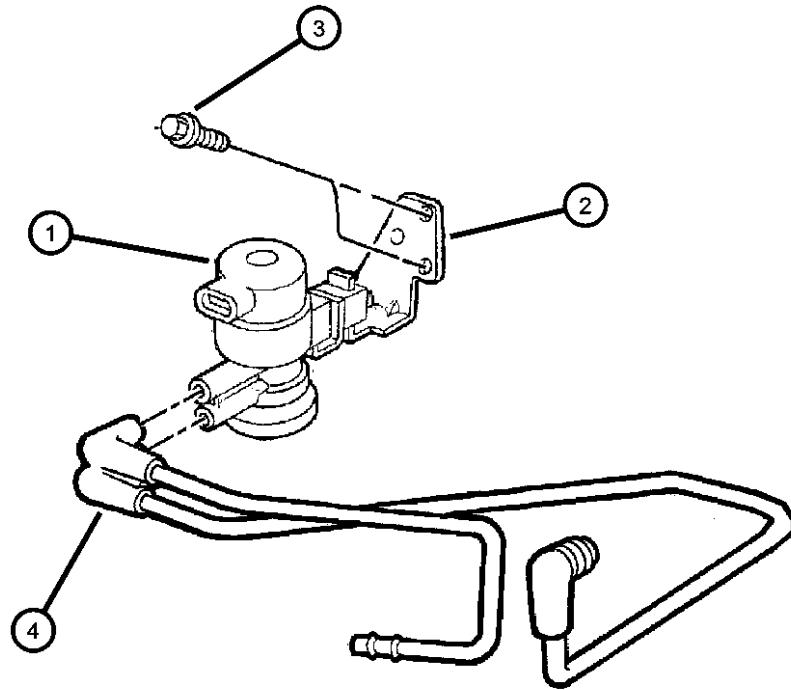
AR = use ase required - = Non illustrated part

2000 XJ

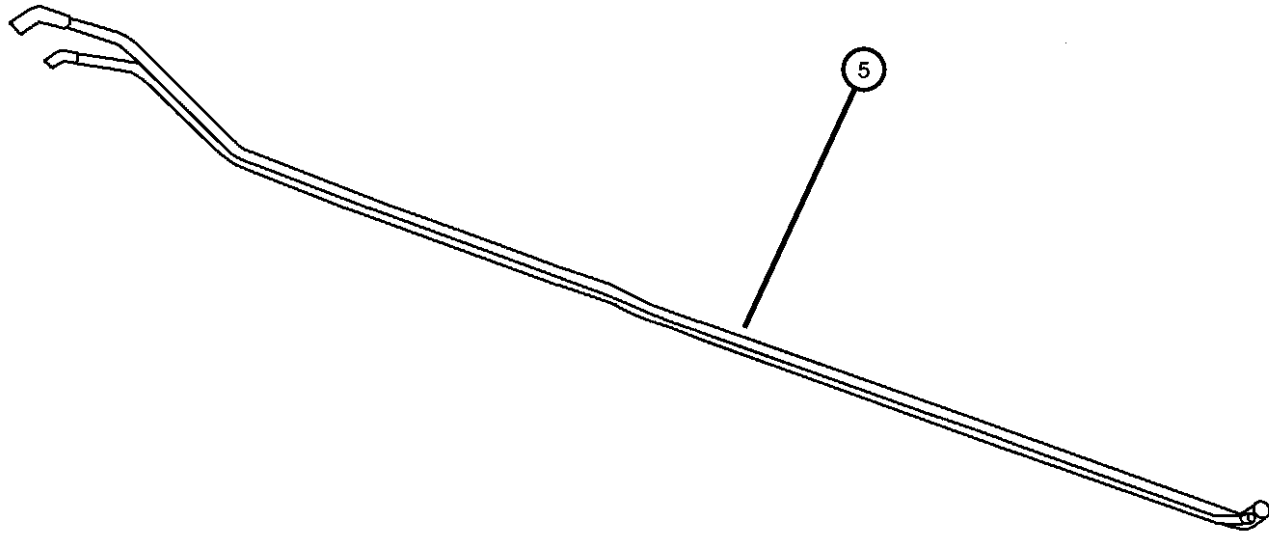
**Emission Control Vacuum Harness
Figure 25-430**

ITEM	PART NUMBER	QTY	LINE	SERIES	BODY	ENGINE	TRANS	TRIM	DESCRIPTION
------	-------------	-----	------	--------	------	--------	-------	------	-------------

NOTE: EP0=All 2.5L Gas Engines ER0=All 4.0L Engines



1	04669475AB	1				EP0, ER0			SOLENOID, Duty Cycle Purge
2	56027773AB	1				EP0, ER0			BRACKET, Duty Cycle Purge Solenoid
3	06032988	2							SCREW
4									HARNESS, Duty Cycle Purge Solenoid
	04854149	1	B, U			EP0			
	04854151AC	1	B, U			ER0			
	04854895	1	J, T			EP0			
	04854896AB	1	J, T			ER0			
5									HARNESS, Vacuum Body Side
	04854207AC	1				ER0			
		1				EP0			
-6									PORT, Emission Testing
	04591090	1	J, T			EP0			
		1	B, U			EP0			
		1	J, T			ER0			
		1	B, U			ER0			
-7	04854138AE	1	J, T			ER0			HARNESS, Vapor Purge
-8	04854135AC	1	J, T			EP0			HARNESS, Vapor Canister



CHEROKEE (XJ)

SERIES	LINE	BODY	ENGINE	TRANSMISSION
H = Sport	T = JEEP - 2WD	74 = 4 Dr (101.4WB)	ENC = ENGINE - 2.5L 4 CYL TURBO DIESEL	DDD = TRANSMISSION - 5-SPEED HD MANUAL
L = SE	B = JEEP - 2WD (RHD)	72 = 2 Dr (101.4WB)	EPE = ENGINE - 2.5L POWER TECH I-4 Cyl.	DDQ = TRANSMISSION - 5-SPEED MANUAL
P = Classic	J = JEEP - 4WD		ERH = ENGINE - 4.0L POWER TECH I-6	DGD = TRANSMISSION - 3-SPD. AUTOMATIC,30RH
S = Limited	U = JEEP - 4WD (RHD)			DGK = TRANSMISSION - 4-SPD. AUTOMATIC,42RE
				DGS = TRANSMISSION-4SPD. AUTO,AISIN WARNER
				DGT = TRANSMISSION - 4-SPD. AUTOMATIC,46RE
				DGW = TRANSMISSION - 4-SPD. AUTOMATIC,44RE
				DGX = TRANSMISSION - 4-SPEED AUTOMATIC
				DBB = ALL MANUAL TRANSMISSIONS
				DGO = ALL AUTOMATIC TRANSMISSIONS

AR = use ase required - = Non illustrated part

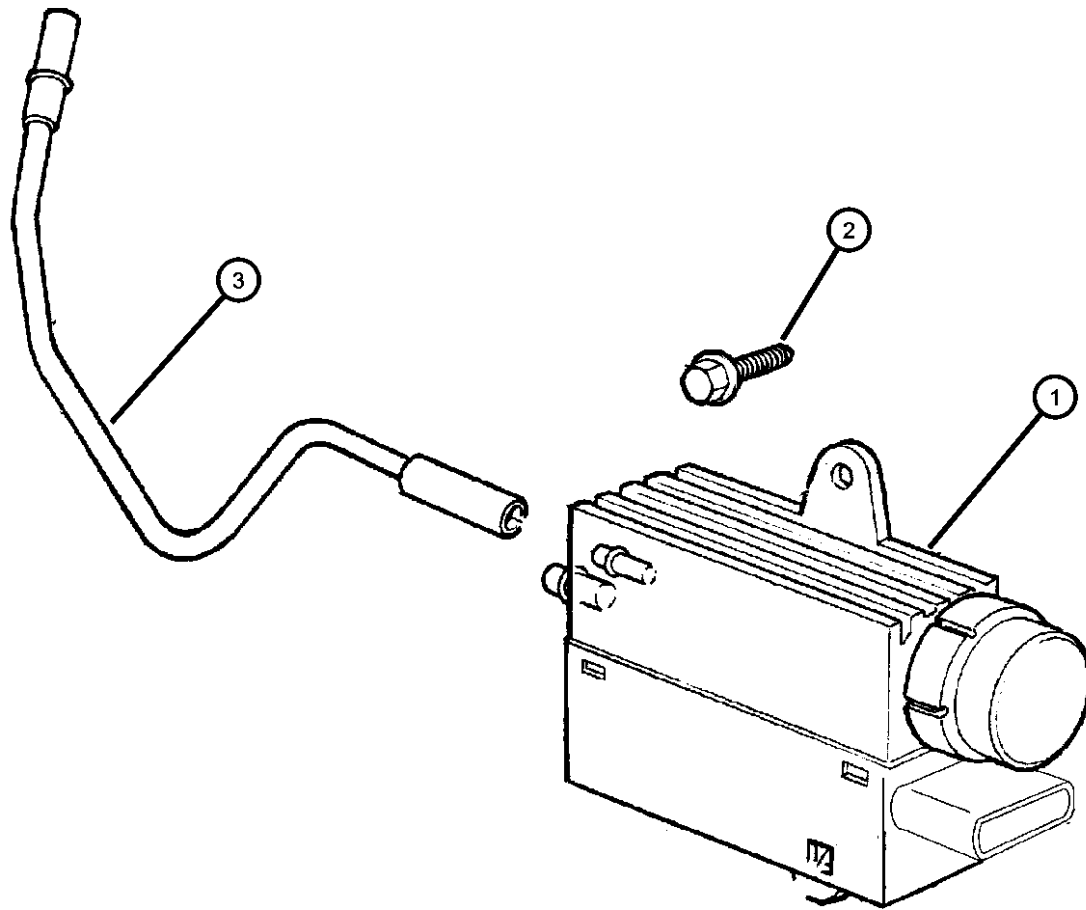
2000 XJ

**Emission Control Vacuum Harness
Figure 25-450**

ITEM	PART NUMBER	QTY	LINE	SERIES	BODY	ENGINE	TRANS	TRIM	DESCRIPTION
------	-------------	-----	------	--------	------	--------	-------	------	-------------

NOTE: ENO= All 2.5L Diesel Engines

1	56027094	1				ENO			MODULATOR, Vacuum Electric
2	06034959	2				ENO			SCREW, Hex Flange Head, .25-14x.549
3	53031542	1				ENO			TUBE, Exhaust Gas Recovery



CHEROKEE (XJ)

SERIES	LINE
H = Sport	T = JEEP - 2WD
L = SE	B = JEEP - 2WD (RHD)
P = Classic	J = JEEP - 4WD
S = Limited	U = JEEP - 4WD (RHD)

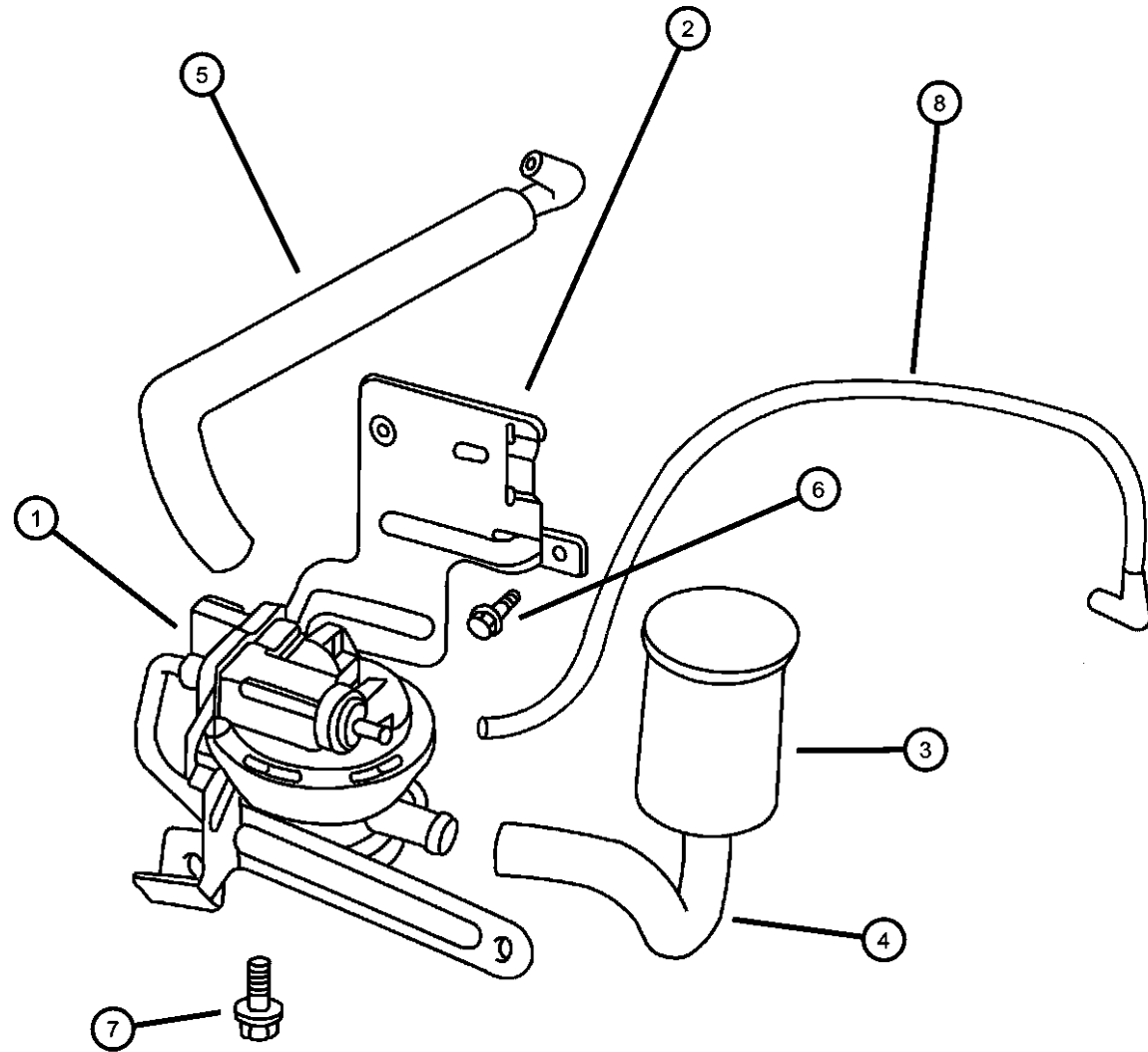
BODY
74 = 4 Dr (101.4WB)
72 = 2 Dr (101.4WB)

ENGINE	TRANSMISSION
ENC = ENGINE - 2.5L 4 CYL TURBO DIESEL	DDD = TRANSMISSION - 5-SPEED HD MANUAL
EPE = ENGINE - 2.5L POWER TECH I-4 Cyl.	DDQ = TRANSMISSION - 5-SPEED MANUAL
ERH = ENGINE - 4.0L POWER TECH I-6	DGD = TRANSMISSION - 3-SPD. AUTOMATIC,30RH
	DGK = TRANSMISSION - 4-SPD. AUTOMATIC,42RE
	DGS = TRANSMISSION-4SPD. AUTO,AISIN WARNER
	DGT = TRANSMISSION - 4-SPD. AUTOMATIC,46RE
	DGW = TRANSMISSION - 4-SPD. AUTOMATIC,44RE
	DGX = TRANSMISSION - 4-SPEED AUTOMATIC
	DBB = ALL MANUAL TRANSMISSIONS
	DGO = ALL AUTOMATIC TRANSMISSIONS

AR = use ase required - = Non illustrated part

2000 XJ

**Leak Detection Pump
Figure 25-460**



ITEM	PART NUMBER	QTY	LINE	SERIES	BODY	ENGINE	TRANS	TRIM	DESCRIPTION
Note: EPO= All 2.5L Gas Engines, ERO= All 4.0L Gas Engines									
1	53013113AA	1	J, T			EP0, ER0			PUMP, Leak Detection
2	04854184	1	J, T			EP0, ER0			BRACKET, Leak Detection Pump
3	04612901	1	J, T			EP0, ER0			FILTER, Fuel Vapor Vent
4	53013001AA	1	J, T			EP0, ER0			HOSE, Leak Detection Pump
5	53013030AB	1	J, T			EP0, ER0			HOSE, Leak Detection Pump
6	53013030AB	1							SCREW, M6x1.00x11.00, (NOT SERVICED)
7	06035482	3	J, T			EP0, ER0			SCREW, Tapping, .19-16x.375
8									TUBE, LDP to Intake Manifold
	53013042AB	1	J, T			EP0			
	53013043AB	1	J, T			ER0			

CHEROKEE (XJ)

SERIES	LINE	BODY	ENGINE	TRANSMISSION
H = Sport	T = JEEP - 2WD	74 = 4 Dr (101.4WB)	ENC = ENGINE - 2.5L 4 CYL TURBO DIESEL	DDD = TRANSMISSION - 5-SPEED HD MANUAL
L = SE	B = JEEP - 2WD (RHD)	72 = 2 Dr (101.4WB)	EPE = ENGINE - 2.5L POWER TECH I-4 Cyl.	DDQ = TRANSMISSION - 5-SPEED MANUAL
P = Classic	J = JEEP - 4WD		ERH = ENGINE - 4.0L POWER TECH I-6	DGD = TRANSMISSION - 3-SPD. AUTOMATIC,30RH
S = Limited	U = JEEP - 4WD (RHD)			DGK = TRANSMISSION - 4-SPD. AUTOMATIC,42RE
				DGS = TRANSMISSION-4SPD. AUTO,AISIN WARNER
				DGT = TRANSMISSION - 4-SPD. AUTOMATIC,46RE
				DGW = TRANSMISSION - 4-SPD. AUTOMATIC,44RE
				DGX = TRANSMISSION - 4-SPEED AUTOMATIC
				DBB = ALL MANUAL TRANSMISSIONS
				DGO = ALL AUTOMATIC TRANSMISSIONS

AR = use ase required - = Non illustrated part

2000 XJ

Group - DXJ

Doors and Related Parts

Group - DXJ Doors and Related Parts

Illustration Title

Group-Fig. No.

Front Door

Door, Front, Shell and Hinges	Fig. DXJ - 110
Door, Front, Glass and Controls	Fig. DXJ - 120
Door, Front, Lock and Controls	Fig. DXJ - 130

Rear Door

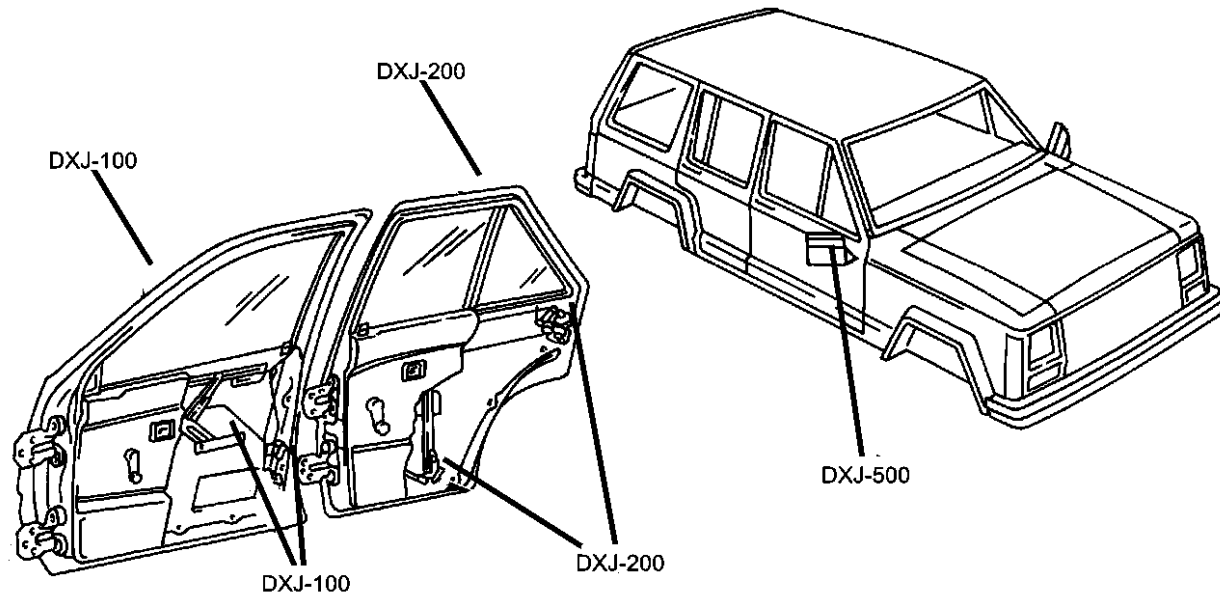
Door, Rear, Shell and Hinges	Fig. DXJ - 210
Door, Rear, Glass and Regulator	Fig. DXJ - 220
Door, Rear, Lock and Controls	Fig. DXJ - 230

Exterior Mirror

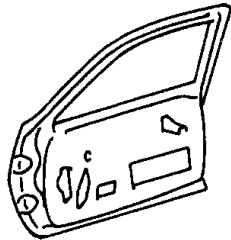
Mirrors, Exterior	Fig. DXJ - 510
-------------------------	----------------

Weatherstrips and Seals

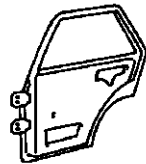
Door, Front	Fig. DXJ - 610
Door, Rear	Fig. DXJ - 620



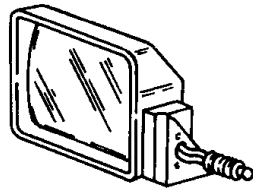
DXJ-100
Front Door



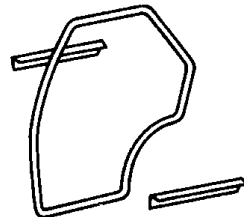
DXJ-200
Rear Door



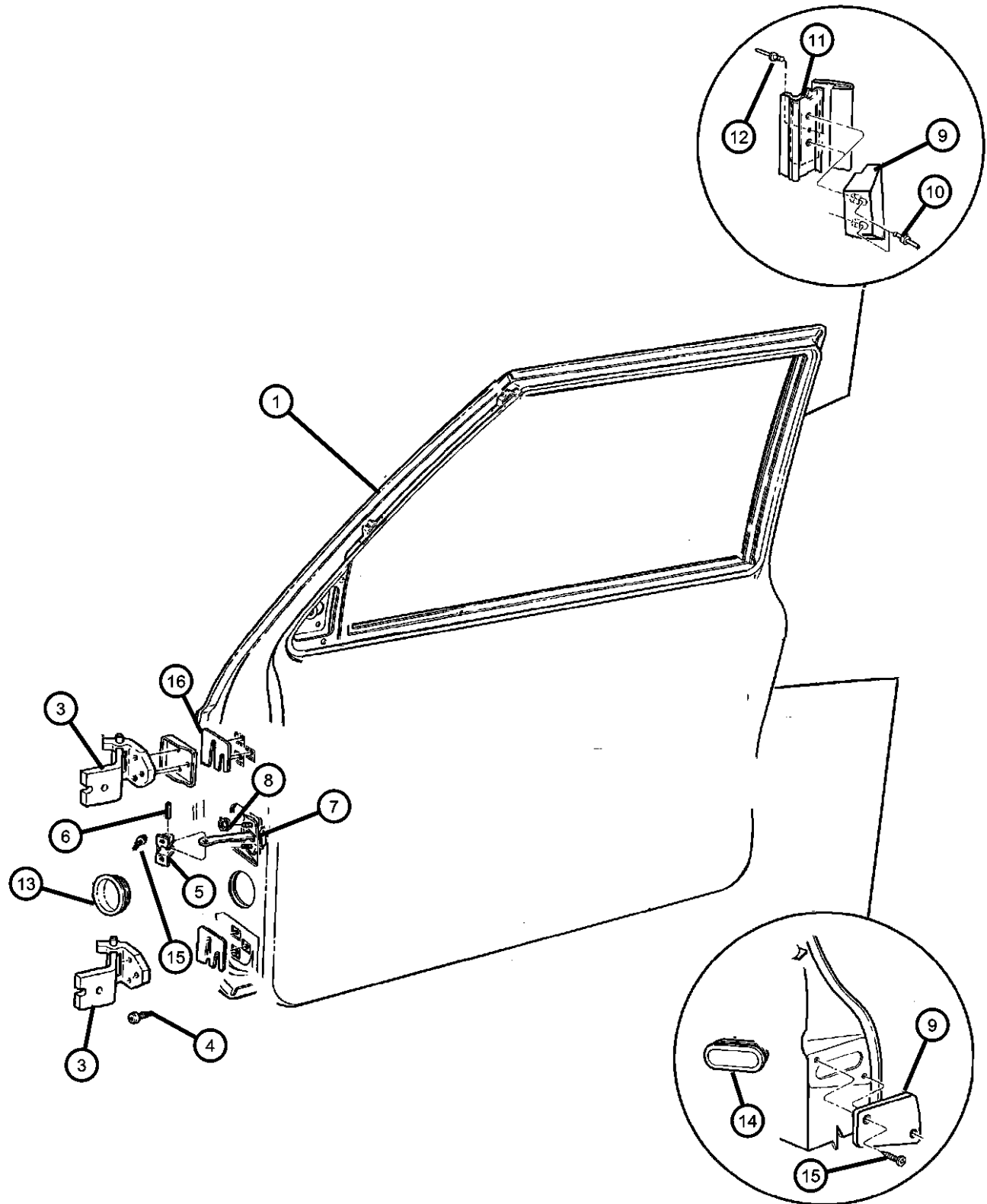
DXJ-500
Exterior Mirror



DXJ-600
Weatherstrips and Seals



**Door, Front, Shell and Hinges
Figure DXJ-110**



ITEM	PART NUMBER	QTY	LINE	SERIES	BODY	ENGINE	TRANS	TRIM	DESCRIPTION
1									DOOR, Front
	55175424AF	1	J, T, U		72				Right
	55175425AF	1	J, T, U		72				Left
	55235906AA	1			74				Right
	55235907AA	1			74				Left
-2									PANEL, Door Outer Repair
	05003400AA	1	J, T, U		72				Right
	05003401AA	1	J, T, U		72				Left
	05003402AB	1			74				Right
	05003403AA	1			74				Left
3	55235368AC	4							HINGE, Door
4	06505434AA	12							SCREW, M8-1.25
5	55002361	2							BRACKET, Check Arm
6	55012900	2							PIN, Check Arm
7	55235571AB	2							CHECK, Front Door
8	55235571AB	2							LOCK NUT, Hex Flange, M6-1.00, (NOT SERVICED)
9									SPACER, Door
	55074906	1	J, T, U		72				Lower Right
	55074907	1	J, T, U		72				Lower Left
	55074908	1	J, T, U		72				Upper Right
	55074909	1	J, T, U		72				Upper Left
10	J4006990	2							RIVET, Blind Expansion (R-Lok)
11	55006216	2	J, T, U		72				REINFORCEMENT, Door Spacer
12	34201684	2							RIVET, M3.18x2.37
13	55002367	2							PLUG, Door Wiring Conduit

CHEROKEE (XJ)

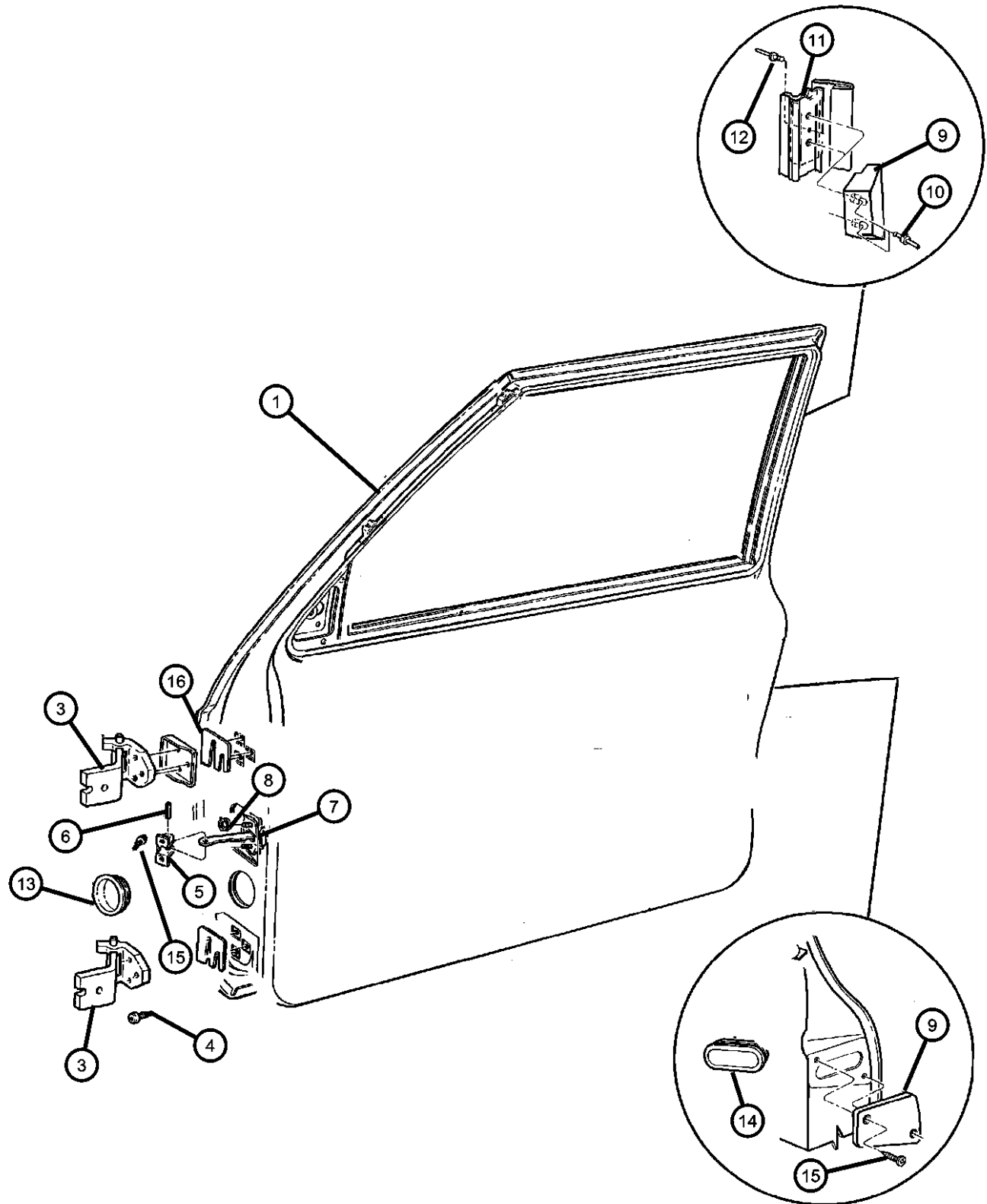
SERIES	LINE	BODY	ENGINE	TRANSMISSION
H = Sport	T = JEEP - 2WD	74 = 4 Dr (101.4WB)	ENC = ENGINE - 2.5L 4 CYL TURBO DIESEL	DDD = TRANSMISSION - 5-SPEED HD MANUAL
L = SE	B = JEEP - 2WD (RHD)	72 = 2 Dr (101.4WB)	EPE = ENGINE - 2.5L POWER TECH I-4 Cyl.	DDQ = TRANSMISSION - 5-SPEED MANUAL
P = Classic	J = JEEP - 4WD		ERH = ENGINE - 4.0L POWER TECH I-6	DGD = TRANSMISSION - 3-SPD. AUTOMATIC,30RH
S = Limited	U = JEEP - 4WD (RHD)			DGK = TRANSMISSION - 4-SPD. AUTOMATIC,42RE
				DGS = TRANSMISSION-4SPD. AUTO,AISIN WARNER
				DGT = TRANSMISSION - 4-SPD. AUTOMATIC,46RE
				DGW = TRANSMISSION - 4-SPD. AUTOMATIC,44RE
				DGX = TRANSMISSION - 4-SPEED AUTOMATIC
				DBB = ALL MANUAL TRANSMISSIONS
				DGO = ALL AUTOMATIC TRANSMISSIONS

AR = use ase required - = Non illustrated part

**Door, Front, Shell and Hinges
Figure DXJ-110**

ITEM	PART NUMBER	QTY	LINE	SERIES	BODY	ENGINE	TRANS	TRIM	DESCRIPTION
------	-------------	-----	------	--------	------	--------	-------	------	-------------

14	55002368	2							PLUG, Door Latch
15	55002368	2							SCREW, (NOT SERVICED)
16	55004920	AR							SHIM



CHEROKEE (XJ)

SERIES	LINE
H = Sport	T = JEEP - 2WD
L = SE	B = JEEP - 2WD (RHD)
P = Classic	J = JEEP - 4WD
S = Limited	U = JEEP - 4WD (RHD)

BODY
74 = 4 Dr (101.4WB)
72 = 2 Dr (101.4WB)

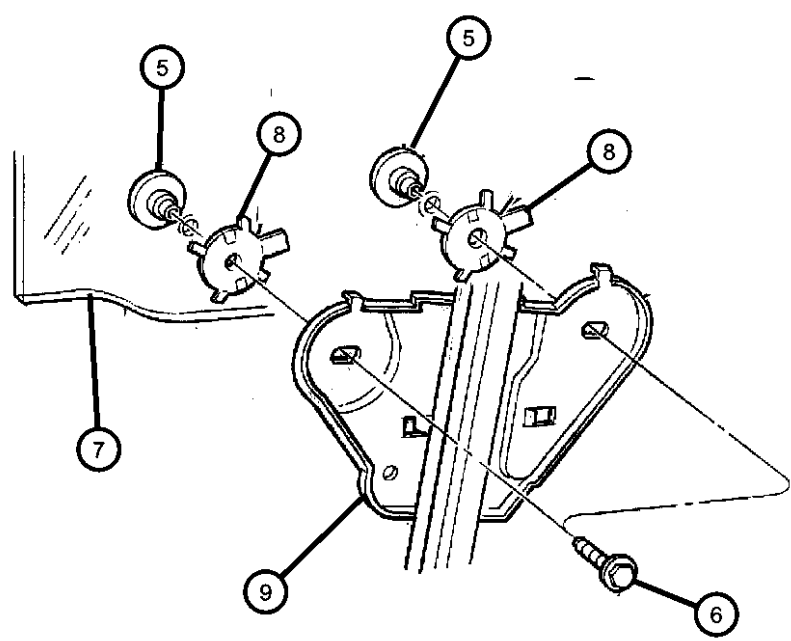
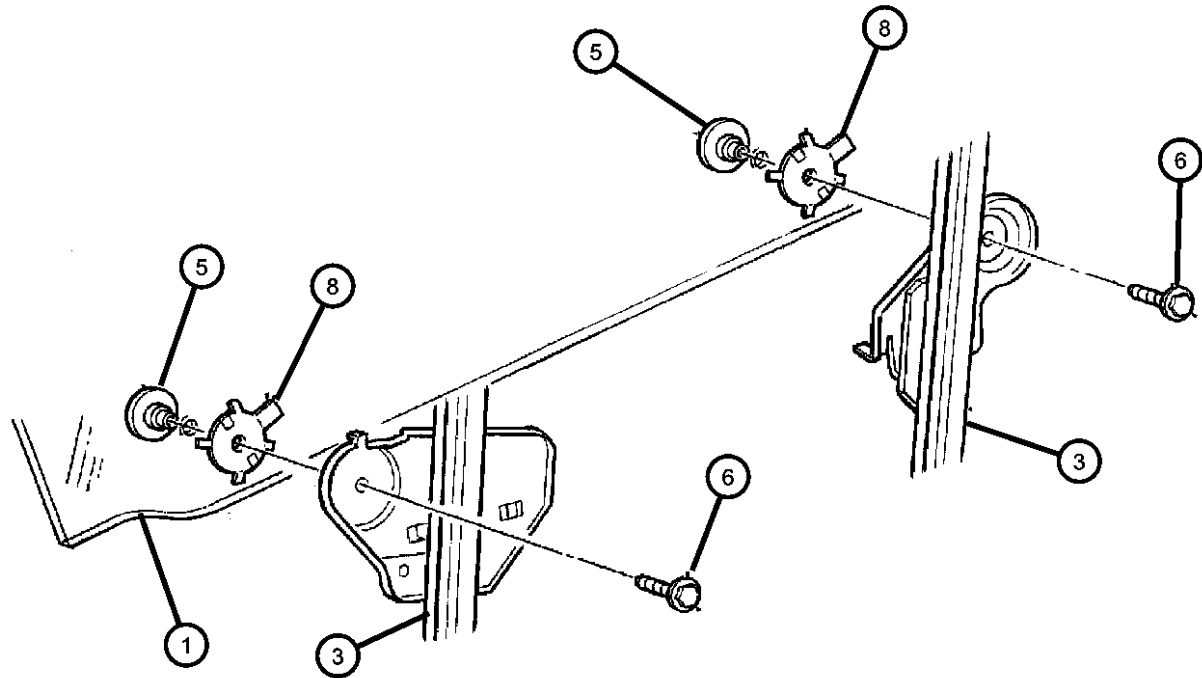
ENGINE
ENC = ENGINE - 2.5L 4 CYL TURBO DIESEL
EPE = ENGINE - 2.5L POWER TECH I-4 Cyl.
ERH = ENGINE - 4.0L POWER TECH I-6

TRANSMISSION
DDD = TRANSMISSION - 5-SPEED HD MANUAL
DDQ = TRANSMISSION - 5-SPEED MANUAL
DGD = TRANSMISSION - 3-SPD. AUTOMATIC,30RH
DGK = TRANSMISSION - 4-SPD. AUTOMATIC,42RE
DGS = TRANSMISSION-4SPD. AUTO,AISIN WARNER
DGT = TRANSMISSION - 4-SPD. AUTOMATIC,46RE
DGW = TRANSMISSION - 4-SPD. AUTOMATIC,44RE
DGX = TRANSMISSION - 4-SPEED AUTOMATIC
DBB = ALL MANUAL TRANSMISSIONS
DGO = ALL AUTOMATIC TRANSMISSIONS

AR = use ase required - = Non illustrated part

2000 XJ

**Door, Front, Glass and Controls
Figure DXJ-120**



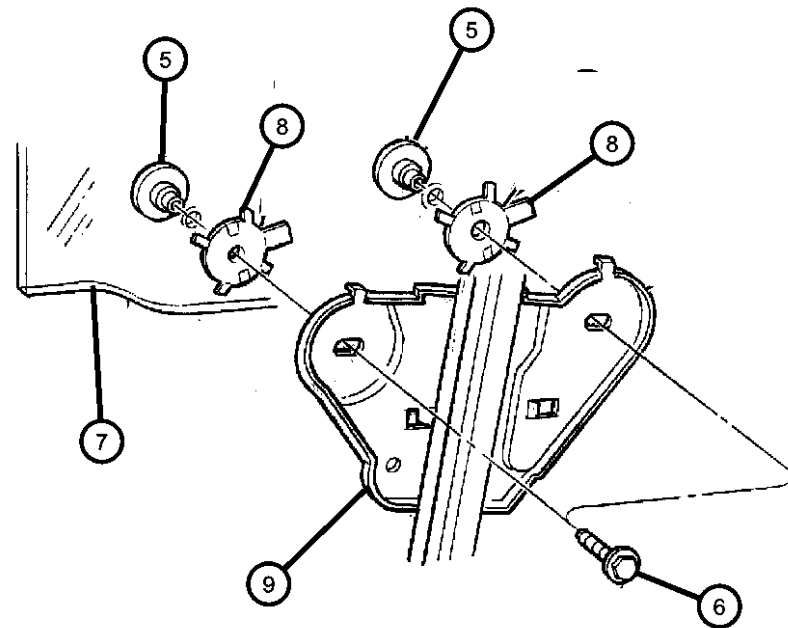
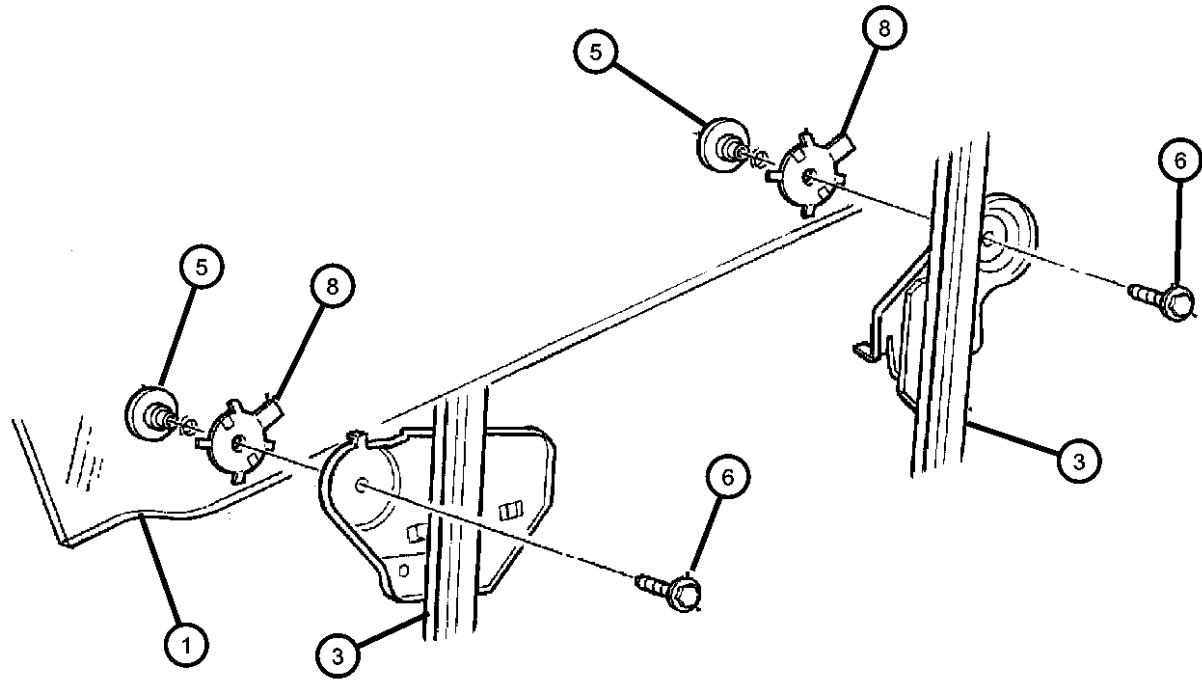
ITEM	PART NUMBER	QTY	LINE	SERIES	BODY	ENGINE	TRANS	TRIM	DESCRIPTION
1	55175436	1	J, T, U		72				GLASS, Door Right
	DD09230GTN								Collision Replacement Glass
	55175437	1	J, T, U		72				Left
	DD09231GTN								Collision Replacement Glass
-2									CHANNEL, Glass Run Lower
	55076172AB	1			74				Right
	55076173AB	1			74				Left
3									REGULATOR, Front Door Window
	55076052AF	1			74				Without Power, Right
	55076053AF	1			74				Without Power, Left
	55076276AH	1	J, T, U		72				Without Power, Right
	55076277AH	1	J, T, U		72				Without Power, Left
	55154958AH	1			74				With Power, Right
	55154959AH	1			74				With Power, Left
	55155012AJ	1	J, T, U		72				With Power, Right
	55155013AJ	1	J, T, U		72				With Power, Left
-4	0FW80TAZ	2	J, T, U						HANDLE, Window Regulator, Grey
5	04415943	4							RETAINER, Glass to Liftplate
6	34201807	2							BOLT, Hex Flange Head, M6x1.00x16
7									GLASS, Front Door
	55175430	1			74				Right
	DD09228GTN								Collision Replacement Glass
	55175431	1			74				Left
	DD09229GTN								Collision Replacement Glass

CHEROKEE (XJ)

SERIES	LINE	BODY	ENGINE	TRANSMISSION
H = Sport	T = JEEP - 2WD	74 = 4 Dr (101.4WB)	ENC = ENGINE - 2.5L 4 CYL TURBO DIESEL	DDD = TRANSMISSION - 5-SPEED HD MANUAL
L = SE	B = JEEP - 2WD (RHD)	72 = 2 Dr (101.4WB)	EPE = ENGINE - 2.5L POWER TECH I-4 Cyl.	DDQ = TRANSMISSION - 5-SPEED MANUAL
P = Classic	J = JEEP - 4WD		ERH = ENGINE - 4.0L POWER TECH I-6	DGD = TRANSMISSION - 3-SPD. AUTOMATIC,30RH
S = Limited	U = JEEP - 4WD (RHD)			DGK = TRANSMISSION - 4-SPD. AUTOMATIC,42RE
				DGS = TRANSMISSION-4SPD. AUTO,AISIN WARNER
				DGT = TRANSMISSION - 4-SPD. AUTOMATIC,46RE
				DGW = TRANSMISSION - 4-SPD. AUTOMATIC,44RE
				DGX = TRANSMISSION - 4-SPEED AUTOMATIC
				DBB = ALL MANUAL TRANSMISSIONS
				DGO = ALL AUTOMATIC TRANSMISSIONS

AR = use ase required - = Non illustrated part

**Door, Front, Glass and Controls
Figure DXJ-120**



ITEM	PART NUMBER	QTY	LINE	SERIES	BODY	ENGINE	TRANS	TRIM	DESCRIPTION
8	35026818	4							RETAINER, Glass to Liftplate
9									REGULATOR, Front Door Window
	55076052AF	1			74				Without Power, Right
	55076053AF	1			74				Without Power, Left
	55154958AH	1			74				With Power, Right
	55154959AH	1			74				With Power, Left

CHEROKEE (XJ)

SERIES	LINE
H = Sport	T = JEEP - 2WD
L = SE	B = JEEP - 2WD (RHD)
P = Classic	J = JEEP - 4WD
S = Limited	U = JEEP - 4WD (RHD)

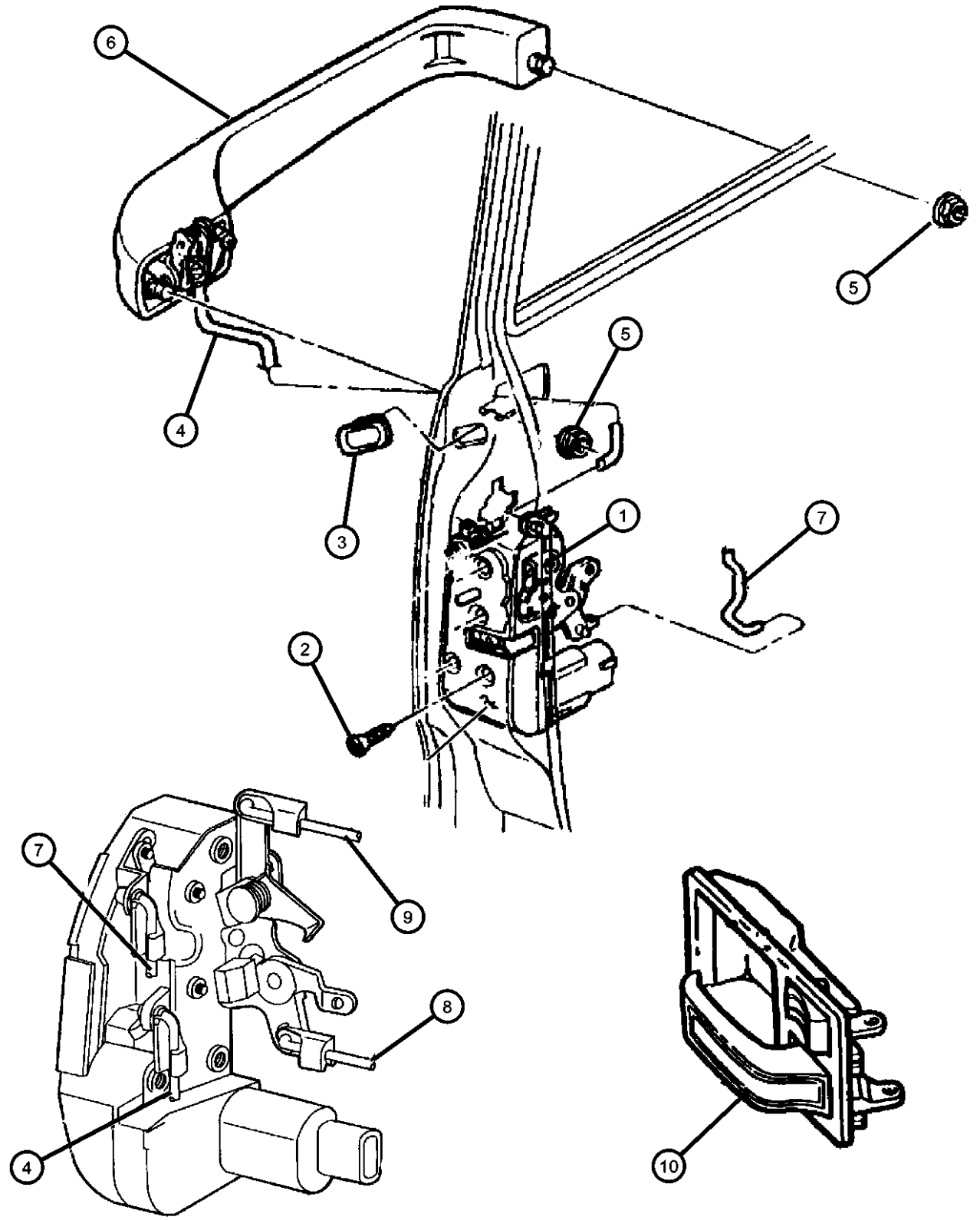
BODY
74 = 4 Dr (101.4WB)
72 = 2 Dr (101.4WB)

ENGINE
ENC = ENGINE - 2.5L 4 CYL TURBO DIESEL
EPE = ENGINE - 2.5L POWER TECH I-4 Cyl.
ERH = ENGINE - 4.0L POWER TECH I-6

TRANSMISSION
DDD = TRANSMISSION - 5-SPEED HD MANUAL
DDQ = TRANSMISSION - 5-SPEED MANUAL
DGD = TRANSMISSION - 3-SPD. AUTOMATIC,30RH
DGK = TRANSMISSION - 4-SPD. AUTOMATIC,42RE
DGS = TRANSMISSION-4SPD. AUTO,AISIN WARNER
DGT = TRANSMISSION - 4-SPD. AUTOMATIC,46RE
DGW = TRANSMISSION - 4-SPD. AUTOMATIC,44RE
DGX = TRANSMISSION - 4-SPEED AUTOMATIC
DBB = ALL MANUAL TRANSMISSIONS
DGO = ALL AUTOMATIC TRANSMISSIONS

AR = use ase required - = Non illustrated part

**Door, Front, Lock and Controls
Figure DXJ-130**



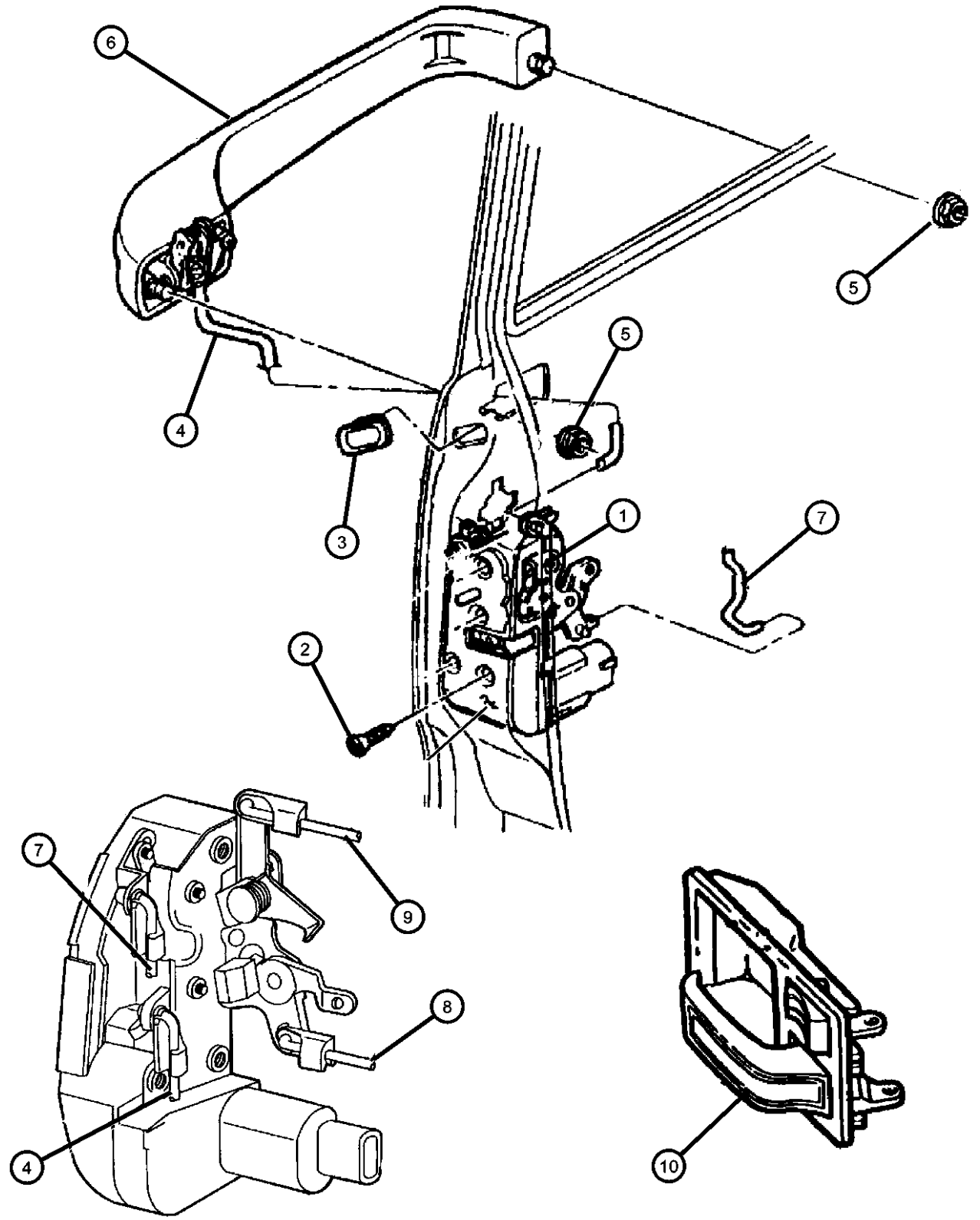
ITEM	PART NUMBER	QTY	LINE	SERIES	BODY	ENGINE	TRANS	TRIM	DESCRIPTION
1	04798914AC	1							LATCH PKG, FRONT DOOR Right
	04798915AC	1							Left
2	06033876	6							SCREW, Tapping, M6.3x1.8x38.1
3	55002368	2							PLUG, Door Latch
4									ROD, Outside Handle to Latch
	55076226	1	J, T, U		72				Right
	55076227	1	J, T, U		72				Left
	55235318	1			74				Right
	55235319	1			74				Left
5	06503226	4							NUT, Hex Flange, M5x.8
6									HANDLE, Exterior Door
	55076056AB	1			74				Right
	55076057AB	1			74				Left
7									LINK, Key Cylinder To Latch
	55076046	1	J, T, U		72				Right
	55076047	1	J, T, U		72				Left
	55235326	1			74				Right
	55235327	1			74				Left
8									LINK, Latch Release
	55076040AB	1			74				Right
	55076041AB	1			74				Left
	55076316AC	1	J, T, U		72				Right
	55076317AC	1	J, T, U		72				Left
9									ROD, Inside Lock to Latch

CHEROKEE (XJ)

SERIES	LINE	BODY	ENGINE	TRANSMISSION
H = Sport	T = JEEP - 2WD	74 = 4 Dr (101.4WB)	ENC = ENGINE - 2.5L 4 CYL TURBO DIESEL	DDD = TRANSMISSION - 5-SPEED HD MANUAL
L = SE	B = JEEP - 2WD (RHD)	72 = 2 Dr (101.4WB)	EPE = ENGINE - 2.5L POWER TECH I-4 Cyl.	DDQ = TRANSMISSION - 5-SPEED MANUAL
P = Classic	J = JEEP - 4WD		ERH = ENGINE - 4.0L POWER TECH I-6	DGD = TRANSMISSION - 3-SPD. AUTOMATIC,30RH
S = Limited	U = JEEP - 4WD (RHD)			DGK = TRANSMISSION - 4-SPD. AUTOMATIC,42RE
				DGS = TRANSMISSION-4SPD. AUTO,AISIN WARNER
				DGT = TRANSMISSION - 4-SPD. AUTOMATIC,46RE
				DGW = TRANSMISSION - 4-SPD. AUTOMATIC,44RE
				DGX = TRANSMISSION - 4-SPEED AUTOMATIC
				DBB = ALL MANUAL TRANSMISSIONS
				DGO = ALL AUTOMATIC TRANSMISSIONS

AR = use ase required - = Non illustrated part

Door, Front, Lock and Controls
Figure DXJ-130



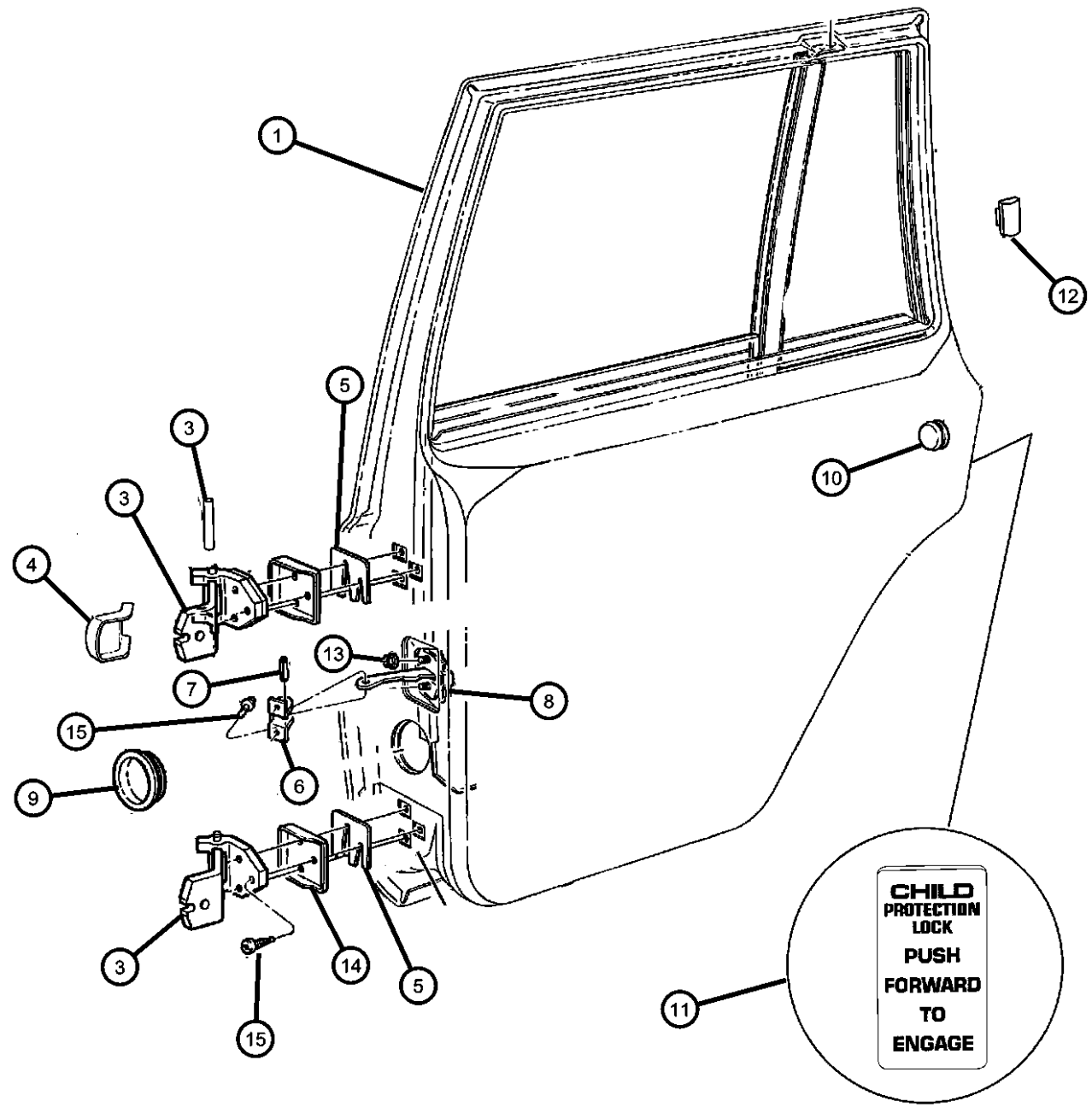
ITEM	PART NUMBER	QTY	LINE	SERIES	BODY	ENGINE	TRANS	TRIM	DESCRIPTION
	55076272AC	1			74				Right
	55076273AC	1			74				Left
	55076320AB	1	J, T, U		72				Right
	55076321AB	1	J, T, U		72				Left
10									HANDLE, Door Interior, 6505449AA Rivet
	55076054	1			74				Right
		1	J, T		72				Right
	55076055	1			74				Left
		1	J, T		72				Left

CHEROKEE (XJ)

SERIES	LINE	BODY	ENGINE	TRANSMISSION
H = Sport	T = JEEP - 2WD	74 = 4 Dr (101.4WB)	ENC = ENGINE - 2.5L 4 CYL TURBO DIESEL	DDD = TRANSMISSION - 5-SPEED HD MANUAL
L = SE	B = JEEP - 2WD (RHD)	72 = 2 Dr (101.4WB)	EPE = ENGINE - 2.5L POWER TECH I-4 Cyl.	DDQ = TRANSMISSION - 5-SPEED MANUAL
P = Classic	J = JEEP - 4WD		ERH = ENGINE - 4.0L POWER TECH I-6	DGD = TRANSMISSION - 3-SPD. AUTOMATIC,30RH
S = Limited	U = JEEP - 4WD (RHD)			DGK = TRANSMISSION - 4-SPD. AUTOMATIC,42RE
				DGS = TRANSMISSION-4SPD. AUTO,AISIN WARNER
				DGT = TRANSMISSION - 4-SPD. AUTOMATIC,46RE
				DGW = TRANSMISSION - 4-SPD. AUTOMATIC,44RE
				DGX = TRANSMISSION - 4-SPEED AUTOMATIC
				DBB = ALL MANUAL TRANSMISSIONS
				DGO = ALL AUTOMATIC TRANSMISSIONS

AR = use ase required - = Non illustrated part

**Door, Rear, Shell and Hinges
Figure DXJ-210**



ITEM	PART NUMBER	QTY	LINE	SERIES	BODY	ENGINE	TRANS	TRIM	DESCRIPTION
1									DOOR, Rear
	55235904AA	1			74				Right
	55235905AA	1			74				Left
-2									PANEL, Door Outer Repair
	05013888AA	1			74				Right
	05013889AA	1			74				Left
3	55235369AC	4			74				HINGE, Door
4	55235822AA	4			74				COVER, Body Half Hinge
5	55235822AA	4							SHIM, Door Hinge Plate, (NOT REQUIRED)
6	55002361	2							BRACKET, Check Arm
7	55012900	2							PIN, Check Arm
8	55075259AB	2			74				CHECK, Rear Door
9	55002367	2							PLUG, Door Wiring Conduit
10	04854035	1							PLUG, Access Hole
11	04615722AB	2			74				LABEL, Child Protection Lock, English
12	55235957AA	4			74				SHIM, Door Hinge
13	55235957AA	4							NUT, (NOT SERVICED)
14									TAPPING PLATE, Door Hinge
	55000248	1			74				Right
	55000249	1			74				Left
15	55000249	1							SCREW, (NOT SERVICED)

CHEROKEE (XJ)

SERIES	LINE
H = Sport	T = JEEP - 2WD
L = SE	B = JEEP - 2WD (RHD)
P = Classic	J = JEEP - 4WD
S = Limited	U = JEEP - 4WD (RHD)

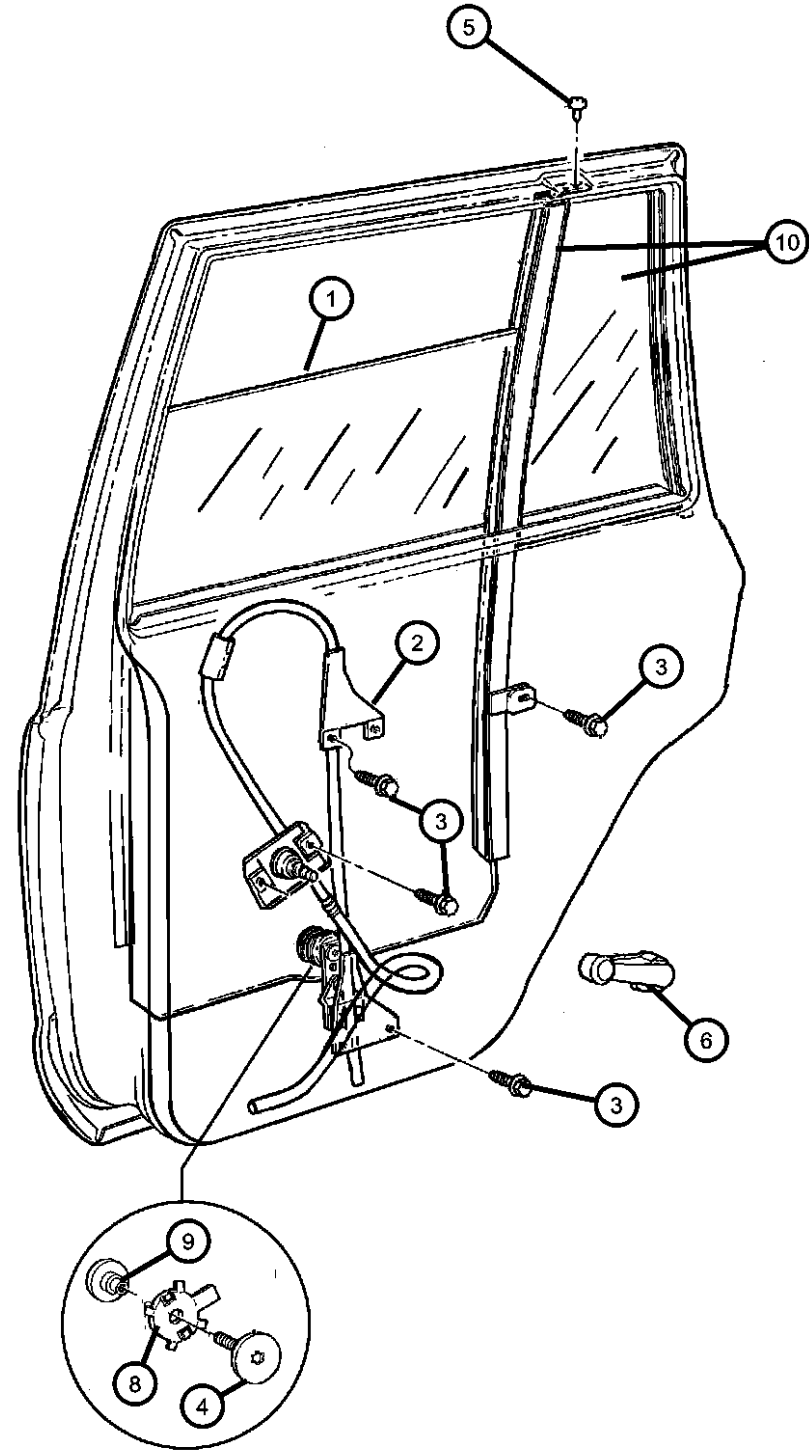
BODY
74 = 4 Dr (101.4WB)
72 = 2 Dr (101.4WB)

ENGINE
ENC = ENGINE - 2.5L 4 CYL TURBO DIESEL
EPE = ENGINE - 2.5L POWER TECH I-4 Cyl.
ERH = ENGINE - 4.0L POWER TECH I-6

TRANSMISSION
DDD = TRANSMISSION - 5-SPEED HD MANUAL
DDQ = TRANSMISSION - 5-SPEED MANUAL
DGD = TRANSMISSION - 3-SPD. AUTOMATIC,30RH
DGK = TRANSMISSION - 4-SPD. AUTOMATIC,42RE
DGS = TRANSMISSION-4SPD. AUTO,AISIN WARNER
DGT = TRANSMISSION - 4-SPD. AUTOMATIC,46RE
DGW = TRANSMISSION - 4-SPD. AUTOMATIC,44RE
DGX = TRANSMISSION - 4-SPEED AUTOMATIC
DBB = ALL MANUAL TRANSMISSIONS
DGO = ALL AUTOMATIC TRANSMISSIONS

AR = use ase required - = Non illustrated part

**Door, Rear, Glass and Regulator
Figure DXJ-220**



ITEM	PART NUMBER	QTY	LINE	SERIES	BODY	ENGINE	TRANS	TRIM	DESCRIPTION
1	55000590	1			74				GLASS, Rear Door Tinted, Right
	DD06603GTN								Collision Replacement Glass
	55000591	1			74				Tinted, Left
	DD06604GTN								Collision Replacement Glass
	55175066AB	1			74				Privacy, Right
	DD09421YPN								Collision Replacement Glass
	55175067AB	1			74				Privacy, Left
	DD09422YPN								Collision Replacement Glass
2									REGULATOR, Rear Door Window
	55076292AD	1			74				Manual, Right
	55076293AD	1			74				Manual, Left
	55154960AE	1			74				Electric, Right
	55154961AE	1			74				Electric, Left
3	06504357	4			74				SCREW AND WASHER, Hex Head, M6x1x12
4	55154752	2			74				SCREW FASTNER, Glass To Regulator, M6
5	55154752	2							SCREW, (NOT SERVICED)
6	0FW80SK5	2	J, T, U						HANDLE, Window Regulator, Tan
-7	0FW80SK5	2							NUT, U Multi Thread, M4 x .70 x 17.00, (NOT SERVICED)
8	04415943	4							RETAINER, Glass to Liftplate
9	04415943	4							RETAINER, Glass to Liftplate
10									GLASS, Rear Door
	55235562AB	1			74				Privacy, Right
	55235563AB	1			74				Privacy, Left

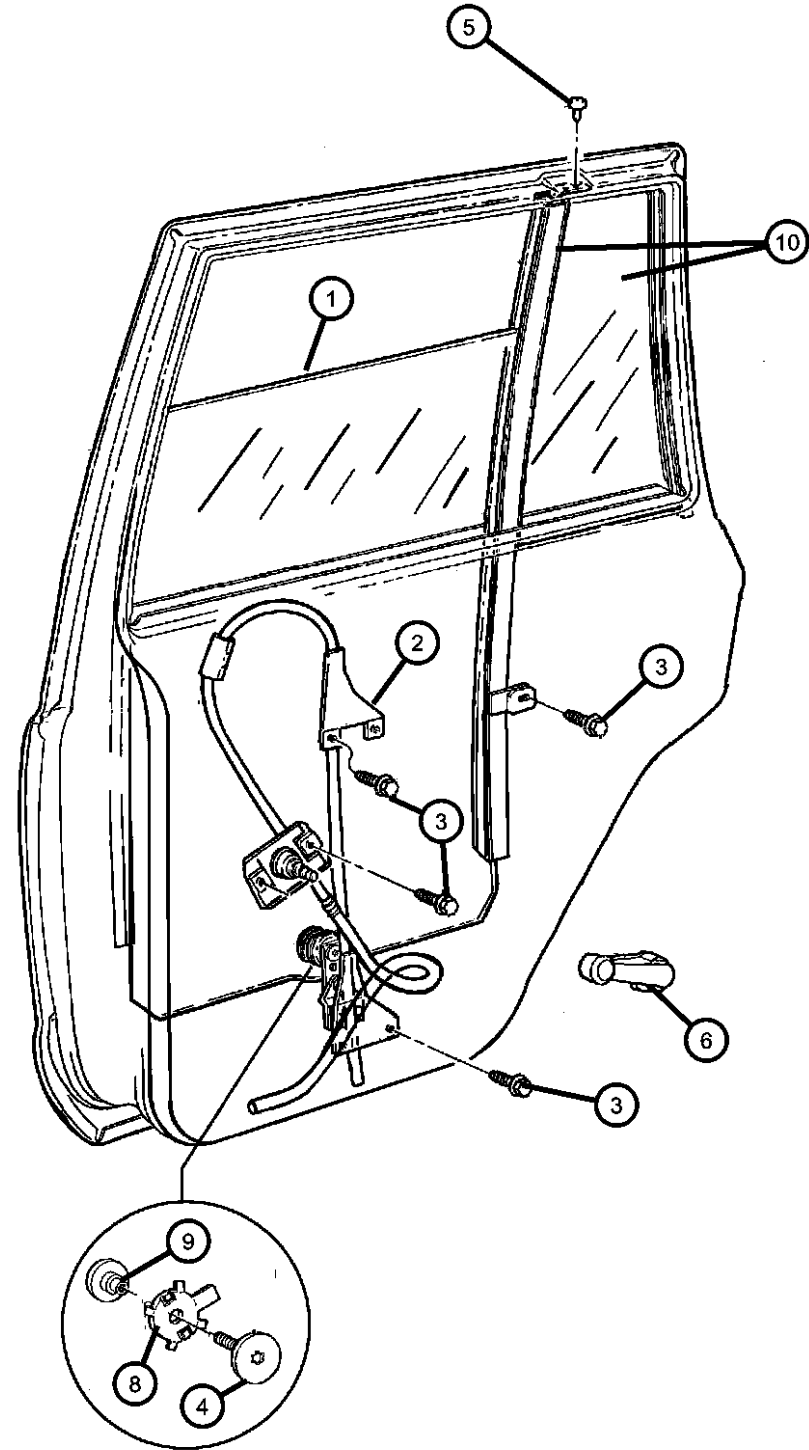
CHEROKEE (XJ)

SERIES	LINE	BODY	ENGINE	TRANSMISSION
H = Sport	T = JEEP - 2WD	74 = 4 Dr (101.4WB)	ENC = ENGINE - 2.5L 4 CYL TURBO DIESEL	DDD = TRANSMISSION - 5-SPEED HD MANUAL
L = SE	B = JEEP - 2WD (RHD)	72 = 2 Dr (101.4WB)	EPE = ENGINE - 2.5L POWER TECH I-4 Cyl.	DDQ = TRANSMISSION - 5-SPEED MANUAL
P = Classic	J = JEEP - 4WD		ERH = ENGINE - 4.0L POWER TECH I-6	DGD = TRANSMISSION - 3-SPD. AUTOMATIC,30RH
S = Limited	U = JEEP - 4WD (RHD)			DGK = TRANSMISSION - 4-SPD. AUTOMATIC,42RE
				DGS = TRANSMISSION-4SPD. AUTO,AISIN WARNER
				DGT = TRANSMISSION - 4-SPD. AUTOMATIC,46RE
				DGW = TRANSMISSION - 4-SPD. AUTOMATIC,44RE
				DGX = TRANSMISSION - 4-SPEED AUTOMATIC
				DBB = ALL MANUAL TRANSMISSIONS
				DGO = ALL AUTOMATIC TRANSMISSIONS

AR = use ase required - = Non illustrated part

2000 XJ

**Door, Rear, Glass and Regulator
Figure DXJ-220**



ITEM	PART NUMBER	QTY	LINE	SERIES	BODY	ENGINE	TRANS	TRIM	DESCRIPTION
	55235564	1			74				Tinted, Right
	55235565	1			74				Tinted, Left
-11	04615722AB	2			74				LABEL, Child Protection Lock, English

CHEROKEE (XJ)

SERIES	LINE
H = Sport	T = JEEP - 2WD
L = SE	B = JEEP - 2WD (RHD)
P = Classic	J = JEEP - 4WD
S = Limited	U = JEEP - 4WD (RHD)

BODY
74 = 4 Dr (101.4WB)
72 = 2 Dr (101.4WB)

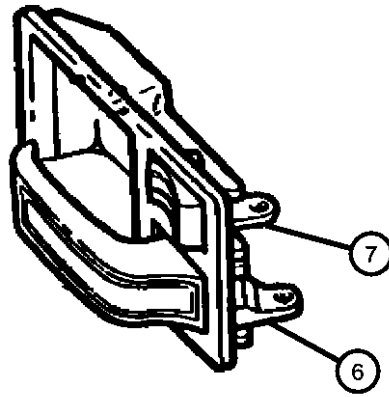
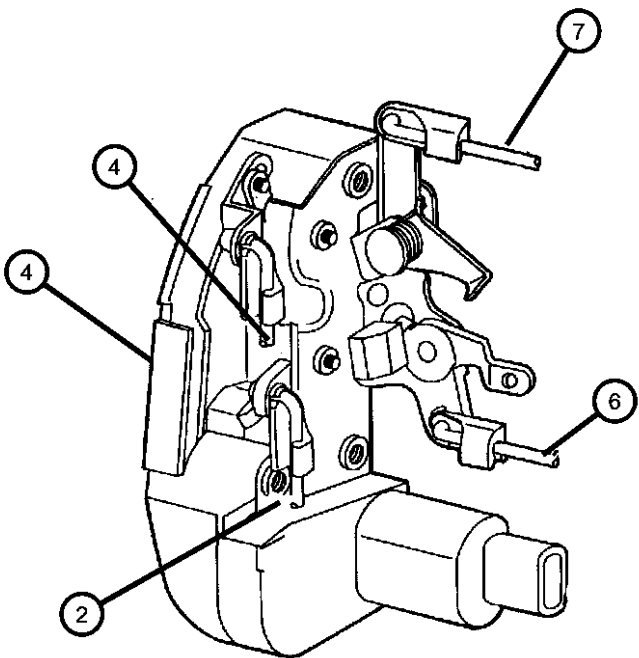
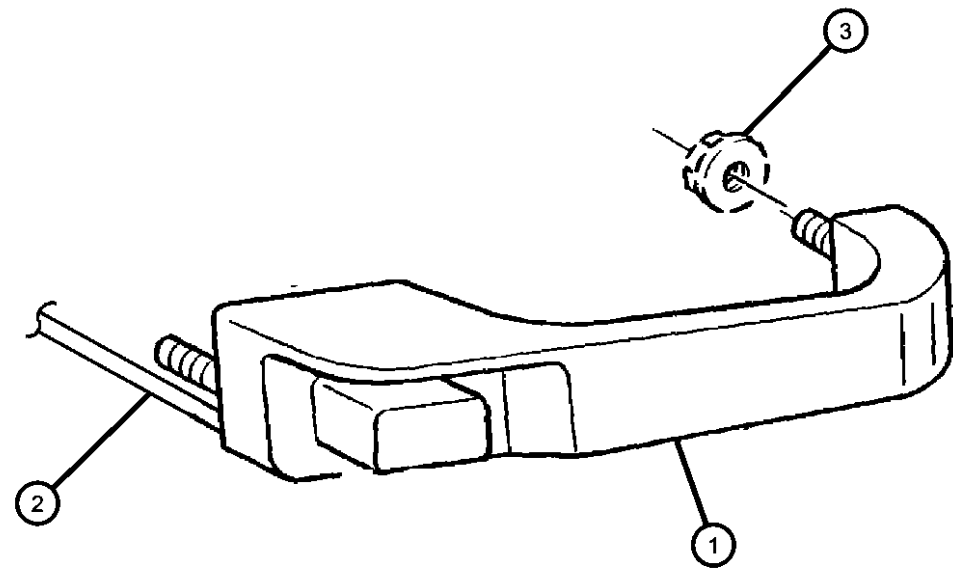
ENGINE
ENC = ENGINE - 2.5L 4 CYL TURBO DIESEL
EPE = ENGINE - 2.5L POWER TECH I-4 Cyl.
ERH = ENGINE - 4.0L POWER TECH I-6

TRANSMISSION
DDD = TRANSMISSION - 5-SPEED HD MANUAL
DDQ = TRANSMISSION - 5-SPEED MANUAL
DGD = TRANSMISSION - 3-SPD. AUTOMATIC,30RH
DGK = TRANSMISSION - 4-SPD. AUTOMATIC,42RE
DGS = TRANSMISSION-4SPD. AUTO,AISIN WARNER
DGT = TRANSMISSION - 4-SPD. AUTOMATIC,46RE
DGW = TRANSMISSION - 4-SPD. AUTOMATIC,44RE
DGX = TRANSMISSION - 4-SPEED AUTOMATIC
DBB = ALL MANUAL TRANSMISSIONS
DGO = ALL AUTOMATIC TRANSMISSIONS

AR = use ase required - = Non illustrated part

**Door, Rear, Lock and Controls
Figure DXJ-230**

ITEM	PART NUMBER	QTY	LINE	SERIES	BODY	ENGINE	TRANS	TRIM	DESCRIPTION
------	-------------	-----	------	--------	------	--------	-------	------	-------------



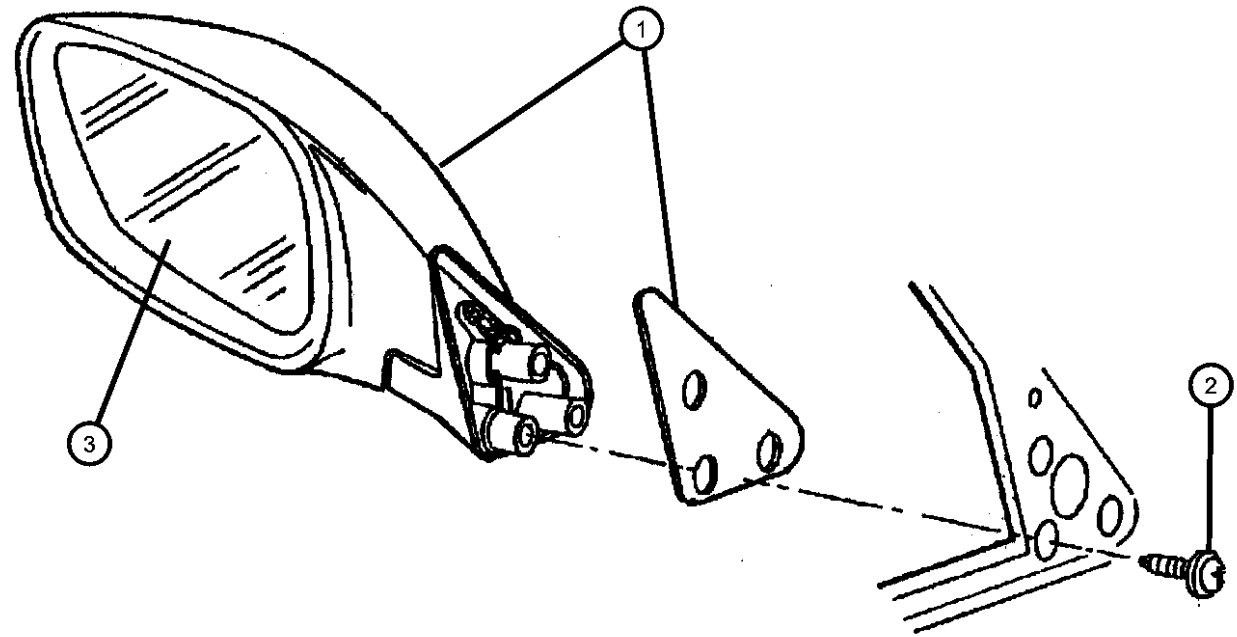
1	55076056AB	1			74				HANDLE, Exterior Door Right
	55076057AB	1			74				Left
2	55076368	1			74				ROD, Outside Handle to Latch Right
	55076369	1			74				Left
3	06503226	4							NUT, Hex Flange, M5x.8
4	55235204AB	1			74				LATCH, Door Manual with Child Guard With Manual Locks, Right
	55235205AB	1			74				With Manual Locks, Left
-5	55235202AC	1			74				LATCH, Rear Door With Power Locks, Right
	55235203AC	1			74				With Power Locks, Left
6	55076070AC	1			74				ROD, Inside Handle to Latch Right
	55076071AC	1			74				Left
7	55076066AC	1			74				ROD, Inside Handle to Latch Right
	55076067AC	1			74				Left

CHEROKEE (XJ)

SERIES	LINE	BODY	ENGINE	TRANSMISSION
H = Sport	T = JEEP - 2WD	74 = 4 Dr (101.4WB)	ENC = ENGINE - 2.5L 4 CYL TURBO DIESEL	DDD = TRANSMISSION - 5-SPEED HD MANUAL
L = SE	B = JEEP - 2WD (RHD)	72 = 2 Dr (101.4WB)	EPE = ENGINE - 2.5L POWER TECH I-4 Cyl.	DDQ = TRANSMISSION - 5-SPEED MANUAL
P = Classic	J = JEEP - 4WD		ERH = ENGINE - 4.0L POWER TECH I-6	DGD = TRANSMISSION - 3-SPD. AUTOMATIC,30RH
S = Limited	U = JEEP - 4WD (RHD)			DGK = TRANSMISSION - 4-SPD. AUTOMATIC,42RE
				DGS = TRANSMISSION-4SPD. AUTO,AISIN WARNER
				DGT = TRANSMISSION - 4-SPD. AUTOMATIC,46RE
				DGW = TRANSMISSION - 4-SPD. AUTOMATIC,44RE
				DGX = TRANSMISSION - 4-SPEED AUTOMATIC
				DBB = ALL MANUAL TRANSMISSIONS
				DGO = ALL AUTOMATIC TRANSMISSIONS

AR = use ase required - = Non illustrated part

Mirrors, Exterior
Figure DXJ-510



ITEM	PART NUMBER	QTY	LINE	SERIES	BODY	ENGINE	TRANS	TRIM	DESCRIPTION
1									MIRROR, Outside Rearview
	55154946AC	1	J, T						Black Manual Foldaway, Right
	55154947AC	1	J, T						Black Manual Foldaway, Left
	55154948AC	1							Black Electric Foldaway, Right
	55154949AC	1							Black Electric Foldaway, Left
	55154950AC	1							Electric Heated Foldaway, Right
	55154951AC	1	J, T						Electric Heated Foldaway, Left
	55154952AC	1	B, U						Electric Heated, Right
	55154953AC	1	B, U						Electric Heated, Left
	55155654AC	1	J, T						Manual Gulf Foldaway, Right
	55155655AC	1	J, T						Manual Gulf Foldaway, Left
	55156024AC	1	B, U						Black Manual Remote, Right
	55156025AC	1	B, U						Black Manual Remote, Left
2	55156025AC	1							SCREW, Pan Head, .25-20x.620, (NOT SERVICED),
3									GLASS, Mirror Replacement
	05012210AA	1							For 55154946AC, 55154948AC Mirror, Right
	05012211AA	1							For 55154947AC, 55154949AC Mirror, Left
	05012212AA	1							For 55154950AC Mirror, Right
	05012213AA	1	J, T						For 55154951AC Mirror, Left
	05012214AA	1	B, U						For 55156024AC Mirror, Right
	05012215AA	1	B, U						For 55156025AC Mirror, Left
	05012216AA	1	B, U						For 55154952AC Mirror, Right
	05012217AA	1	B, U						For 55154953AC Mirror, Left

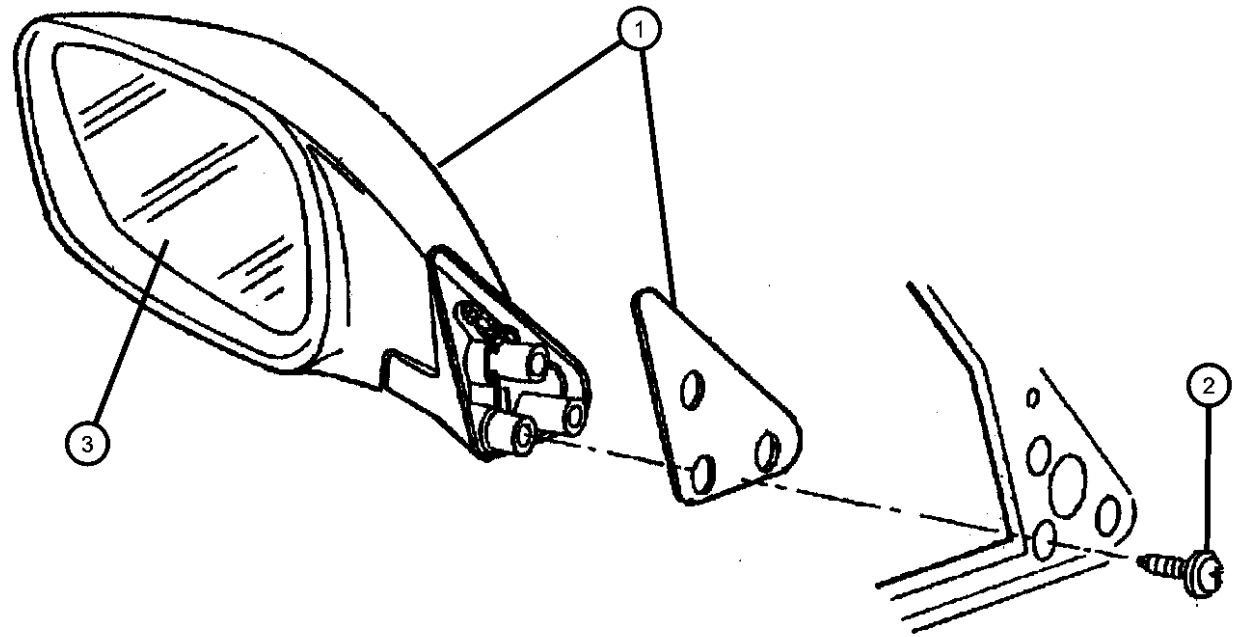
CHEROKEE (XJ)

SERIES	LINE	BODY	ENGINE	TRANSMISSION
H = Sport	T = JEEP - 2WD	74 = 4 Dr (101.4WB)	ENC = ENGINE - 2.5L 4 CYL TURBO DIESEL	DDD = TRANSMISSION - 5-SPEED HD MANUAL
L = SE	B = JEEP - 2WD (RHD)	72 = 2 Dr (101.4WB)	EPE = ENGINE - 2.5L POWER TECH I-4 Cyl.	DDQ = TRANSMISSION - 5-SPEED MANUAL
P = Classic	J = JEEP - 4WD		ERH = ENGINE - 4.0L POWER TECH I-6	DGD = TRANSMISSION - 3-SPD. AUTOMATIC,30RH
S = Limited	U = JEEP - 4WD (RHD)			DGK = TRANSMISSION - 4-SPD. AUTOMATIC,42RE
				DGS = TRANSMISSION-4SPD. AUTO,AISIN WARNER
				DGT = TRANSMISSION - 4-SPD. AUTOMATIC,46RE
				DGW = TRANSMISSION - 4-SPD. AUTOMATIC,44RE
				DGX = TRANSMISSION - 4-SPEED AUTOMATIC
				DBB = ALL MANUAL TRANSMISSIONS
				DGO = ALL AUTOMATIC TRANSMISSIONS

AR = use ase required - = Non illustrated part

Mirrors, Exterior
Figure DXJ-510

ITEM	PART NUMBER	QTY	LINE	SERIES	BODY	ENGINE	TRANS	TRIM	DESCRIPTION
	05012218AA	1	J, T						For 55155654AC Mirror, Right
	05012220AA	1	J, T						For 55155655Ac Mirror, Right



CHEROKEE (XJ)

SERIES
H = Sport
L = SE
P = Classic
S = Limited

LINE
T = JEEP - 2WD
B = JEEP - 2WD (RHD)
J = JEEP - 4WD
U = JEEP - 4WD (RHD)

BODY
74 = 4 Dr (101.4WB)
72 = 2 Dr (101.4WB)

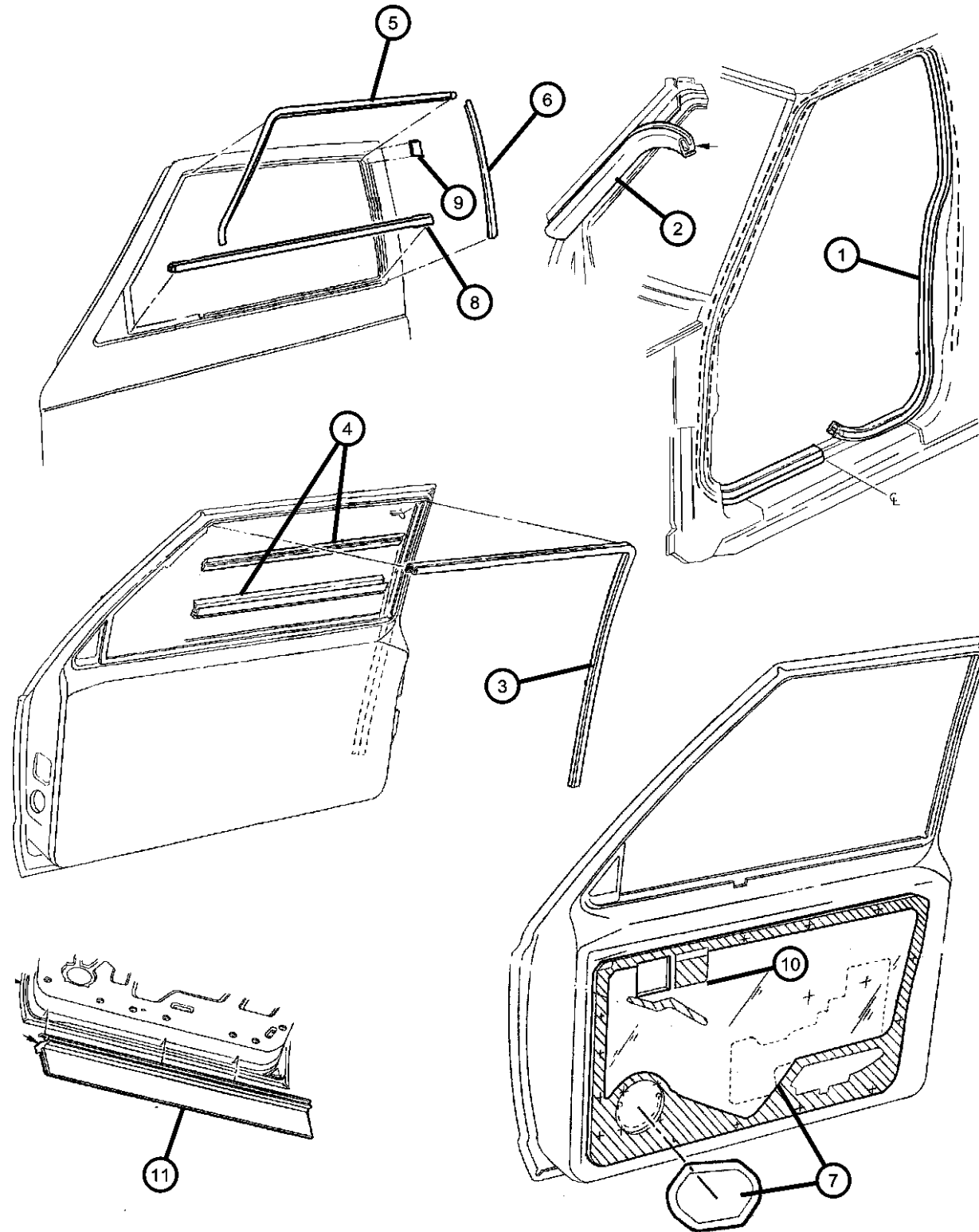
ENGINE
ENC = ENGINE - 2.5L 4 CYL
TURBO DIESEL
EPE = ENGINE - 2.5L POWER
TECH I-4 Cyl.
ERH = ENGINE - 4.0L
POWER TECH I-6

TRANSMISSION
DDD = TRANSMISSION - 5-SPEED
HD MANUAL
DDQ = TRANSMISSION - 5-SPEED
MANUAL
DGD = TRANSMISSION - 3-SPD.
AUTOMATIC,30RH
DGK = TRANSMISSION - 4-SPD.
AUTOMATIC,42RE
DGS = TRANSMISSION-4SPD.
AUTO,AISIN WARNER
DGT = TRANSMISSION - 4-SPD.
AUTOMATIC,46RE
DGW = TRANSMISSION - 4-SPD.
AUTOMATIC,44RE
DGX = TRANSMISSION - 4-SPEED
AUTOMATIC
DBB = ALL MANUAL
TRANSMISSIONS
DGO = ALL AUTOMATIC
TRANSMISSIONS

AR = use ase required - = Non illustrated part

2000 XJ

Door, Front
Figure DXJ-610



ITEM	PART NUMBER	QTY	LINE	SERIES	BODY	ENGINE	TRANS	TRIM	DESCRIPTION
1									WEATHERSEAL, Full Door To Body
	55176146AC	2	J, T, U		72				
	55176148AC	2			74				Secondary
2	55175355AD	2							SEAL, Door
3									WEATHERSTRIP, Glass Channel Run
	55175352AC	1			74				Right
	55175353AC	1			74				Left
	55175368AC	1	J, T, U		72				Right
	55175369AC	1	J, T, U		72				Left
4									WEATHERSTRIP, Door Belt
	55175358	1			74				Inner, Right
	55175359	1			74				Inner, Left
	55175372AB	1	J, T, U		72				Outer, Right
	55175373AB	1	J, T, U		72				Outer, Left
5									MOLDING, Door
	55176194AB	1			74				Right
	55176195AB	1			74				Left
	55176196AB	1	J, T, U		72				Right
	55176197AB	1	J, T, U		72				Left
6									MOLDING, Front Door Frame
	55235778	1							Right
	55235779	1							Left
7									WATERDAM, Front Door
	55235982AC	1	J, T, U		72				Right
	55235983AC	1	J, T, U		72				Left

CHEROKEE (XJ)

SERIES
H = Sport
L = SE
P = Classic
S = Limited

LINE
T = JEEP - 2WD
B = JEEP - 2WD (RHD)
J = JEEP - 4WD
U = JEEP - 4WD (RHD)

BODY
74 = 4 Dr (101.4WB)
72 = 2 Dr (101.4WB)

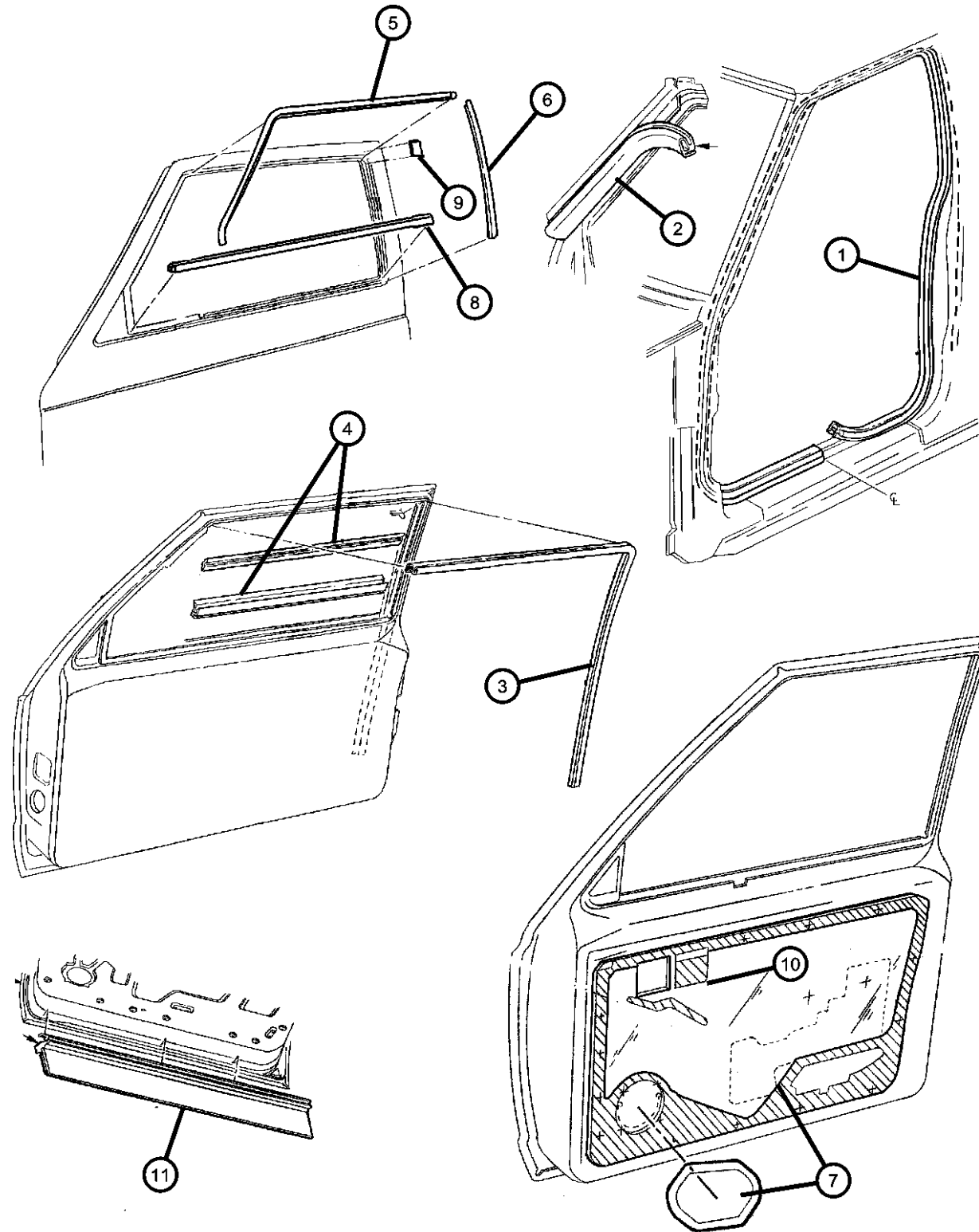
ENGINE
ENC = ENGINE - 2.5L 4 CYL TURBO DIESEL
EPE = ENGINE - 2.5L POWER TECH I-4 Cyl.
ERH = ENGINE - 4.0L POWER TECH I-6

TRANSMISSION
DDD = TRANSMISSION - 5-SPEED HD MANUAL
DDQ = TRANSMISSION - 5-SPEED MANUAL
DGD = TRANSMISSION - 3-SPD. AUTOMATIC,30RH
DGK = TRANSMISSION - 4-SPD. AUTOMATIC,42RE
DGS = TRANSMISSION-4SPD. AUTO,AISIN WARNER
DGT = TRANSMISSION - 4-SPD. AUTOMATIC,46RE
DGW = TRANSMISSION - 4-SPD. AUTOMATIC,44RE
DGX = TRANSMISSION - 4-SPEED AUTOMATIC
DBB = ALL MANUAL TRANSMISSIONS
DGO = ALL AUTOMATIC TRANSMISSIONS

AR = use ase required - = Non illustrated part

2000 XJ

Door, Front
Figure DXJ-610



ITEM	PART NUMBER	QTY	LINE	SERIES	BODY	ENGINE	TRANS	TRIM	DESCRIPTION
	55235984AC	1			74				Right
	55235985AC	1			74				Left
8									WEATHERSTRIP, Door Belt
	55175360AB	1			74				Right
	55175361AB	1			74				Left
	55175370AB	2	J, T, U		72				
9	55004920	AR							SHIM
10									WATERSHIELD, Front Door
	55027146	1			74				Right
	55027147	1			74				Left
11	55027147	1							SEAL, Door, (NOT REQUIRED)

CHEROKEE (XJ)

SERIES

H = Sport
L = SE
P = Classic
S = Limited

LINE

T = JEEP - 2WD
B = JEEP - 2WD (RHD)
J = JEEP - 4WD
U = JEEP - 4WD (RHD)

BODY

74 = 4 Dr (101.4WB)
72 = 2 Dr (101.4WB)

ENGINE

ENC = ENGINE - 2.5L 4 CYL TURBO DIESEL
EPE = ENGINE - 2.5L POWER TECH I-4 Cyl.
ERH = ENGINE - 4.0L POWER TECH I-6

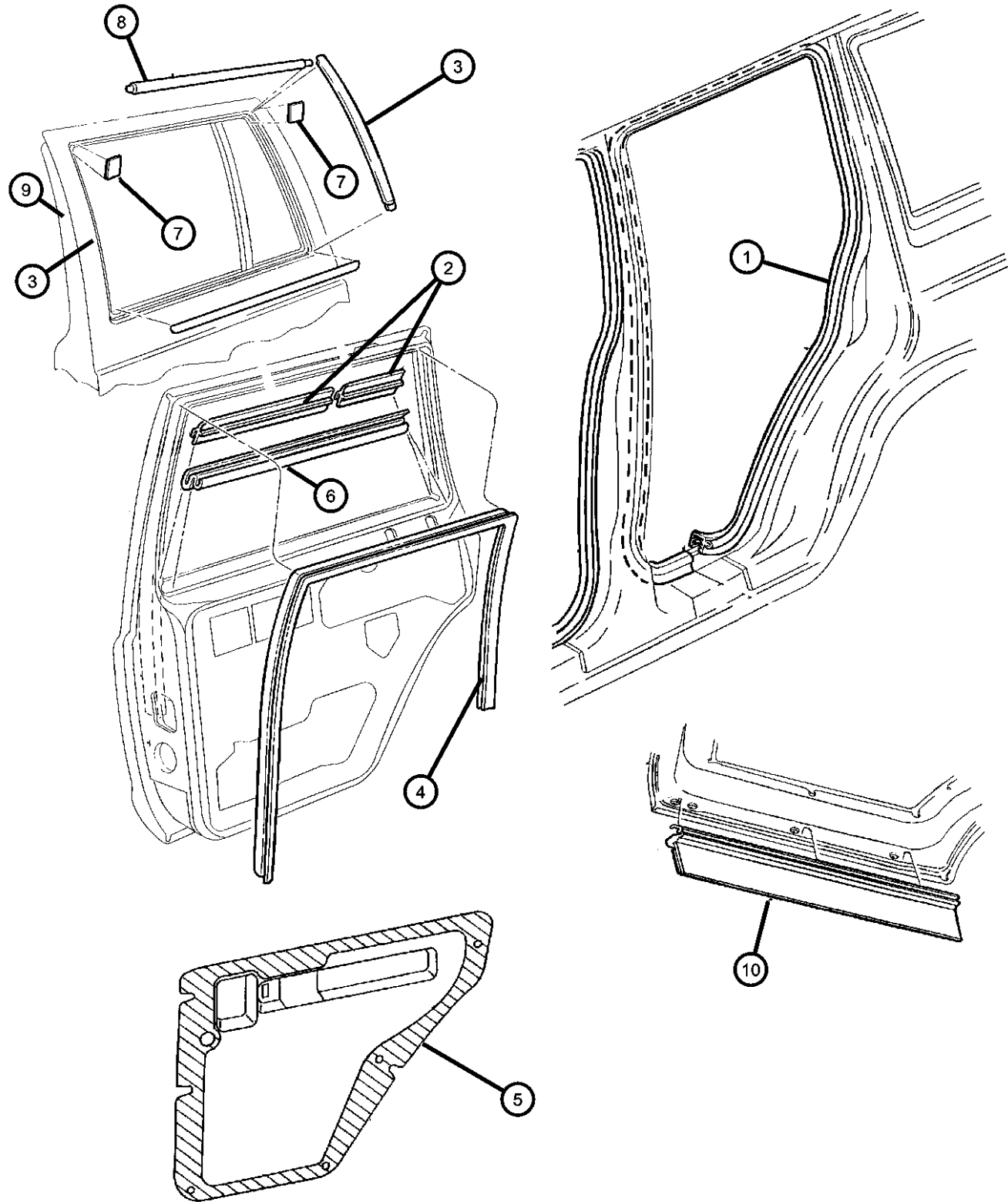
TRANSMISSION

DDD = TRANSMISSION - 5-SPEED HD MANUAL
DDQ = TRANSMISSION - 5-SPEED MANUAL
DGD = TRANSMISSION - 3-SPD. AUTOMATIC,30RH
DGK = TRANSMISSION - 4-SPD. AUTOMATIC,42RE
DGS = TRANSMISSION-4SPD. AUTO,AISIN WARNER
DGT = TRANSMISSION - 4-SPD. AUTOMATIC,46RE
DGW = TRANSMISSION - 4-SPD. AUTOMATIC,44RE
DGX = TRANSMISSION - 4-SPEED AUTOMATIC
DBB = ALL MANUAL TRANSMISSIONS
DGO = ALL AUTOMATIC TRANSMISSIONS

AR = use ase required - = Non illustrated part

2000 XJ

Door, Rear
Figure DXJ-620



ITEM	PART NUMBER	QTY	LINE	SERIES	BODY	ENGINE	TRANS	TRIM	DESCRIPTION
1	55175351AC	2			74				WEATHERSEAL, Full Door To Body
2	55175952AB	2			74				WEATHERSTRIP, BeltOuter
3									MOLDING, Rear Door Frame
	55235780	2			74				Right
	55235781	2			74				Left
4									WEATHERSTRIP, Door Glass Run
	55175356AC	1			74				Right
	55175357AC	1			74				Left
5									WATERDAM, Rear Door
	55235986AB	1			74				Right
	55235987AB	1			74				Left
6	55175948	2			74				WEATHERSTRIP, BeltInner
7	55004920	AR							SHIM
8	55175838AB	2			74				MOLDING, Rear Door Frame UprUpper
9	55235791AB	2			74				WEATHERSTRIP, B Pillar Secondary
10	55235791AB	2							SEAL, Door, (NOT REQUIRED)

CHEROKEE (XJ)

SERIES	LINE	BODY	ENGINE	TRANSMISSION
H = Sport	T = JEEP - 2WD	74 = 4 Dr (101.4WB)	ENC = ENGINE - 2.5L 4 CYL TURBO DIESEL	DDD = TRANSMISSION - 5-SPEED HD MANUAL
L = SE	B = JEEP - 2WD (RHD)	72 = 2 Dr (101.4WB)	EPE = ENGINE - 2.5L POWER TECH I-4 Cyl.	DDQ = TRANSMISSION - 5-SPEED MANUAL
P = Classic	J = JEEP - 4WD		ERH = ENGINE - 4.0L POWER TECH I-6	DGD = TRANSMISSION - 3-SPD. AUTOMATIC,30RH
S = Limited	U = JEEP - 4WD (RHD)			DGK = TRANSMISSION - 4-SPD. AUTOMATIC,42RE
				DGS = TRANSMISSION-4SPD. AUTO,AISIN WARNER
				DGT = TRANSMISSION - 4-SPD. AUTOMATIC,46RE
				DGW = TRANSMISSION - 4-SPD. AUTOMATIC,44RE
				DGX = TRANSMISSION - 4-SPEED AUTOMATIC
				DBB = ALL MANUAL TRANSMISSIONS
				DGO = ALL AUTOMATIC TRANSMISSIONS

AR = use ase required - = Non illustrated part

Group - EXJ

Exterior Ornamentation

Group - EXJ Exterior Ornamentation

Illustration Title

Group-Fig. No.

Nameplates

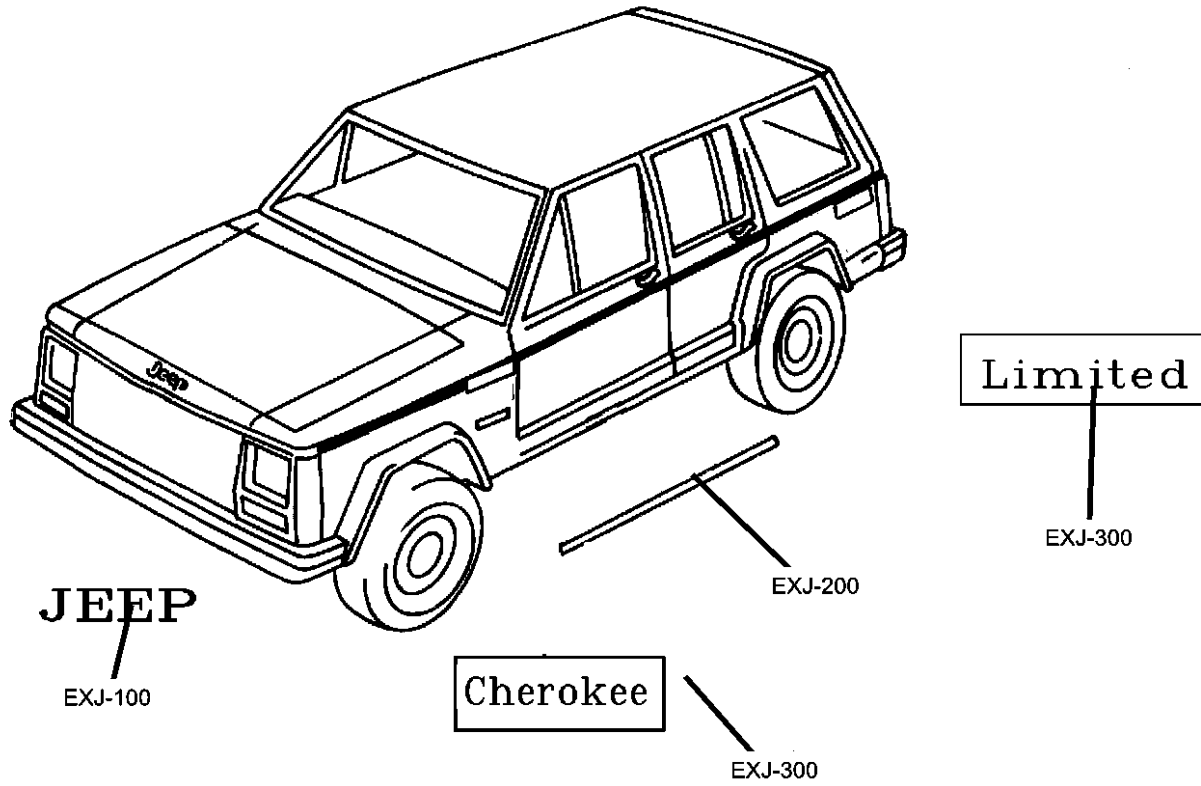
Nameplates Fig. EXJ - 110






Moldings and Ornamentation

Moldings Body Side Fig. EXJ - 215

Decals and Tapestripes

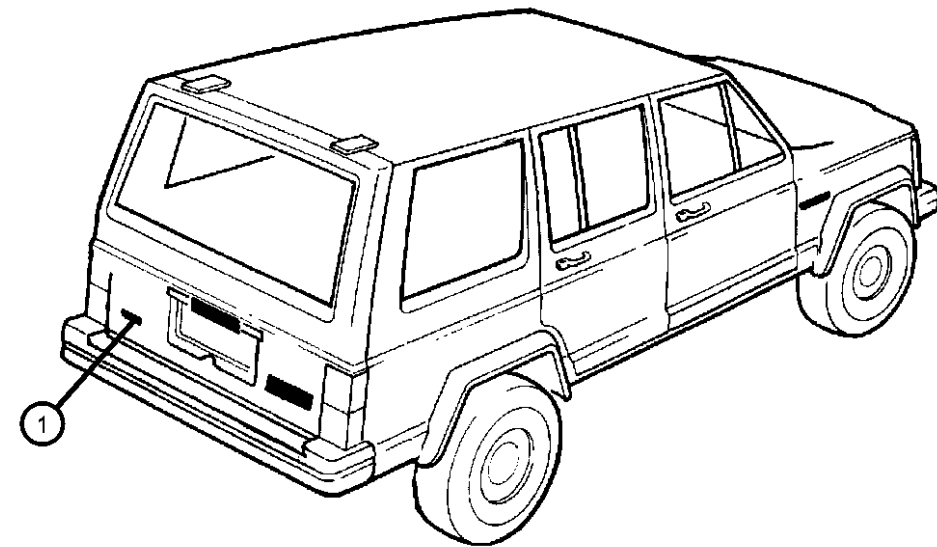
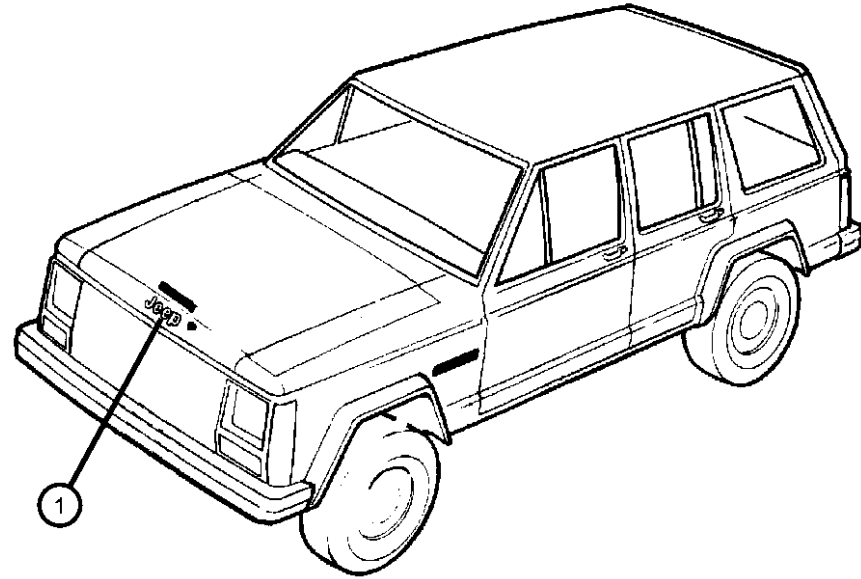
Decals Fig. EXJ - 310



EXJ-100 Nameplates	EXJ-200 Moldings and Ornamentation	EXJ-300 Decals and Tapestripes	
 		 	

Nameplates
Figure EXJ-110

ITEM	PART NUMBER	QTY	LINE	SERIES	BODY	ENGINE	TRANS	TRIM	DESCRIPTION
1									NAMEPLATE, Jeep
	55155622	2	J, U						Chrome
	5EM87SA1	1							Silver



CHEROKEE (XJ)

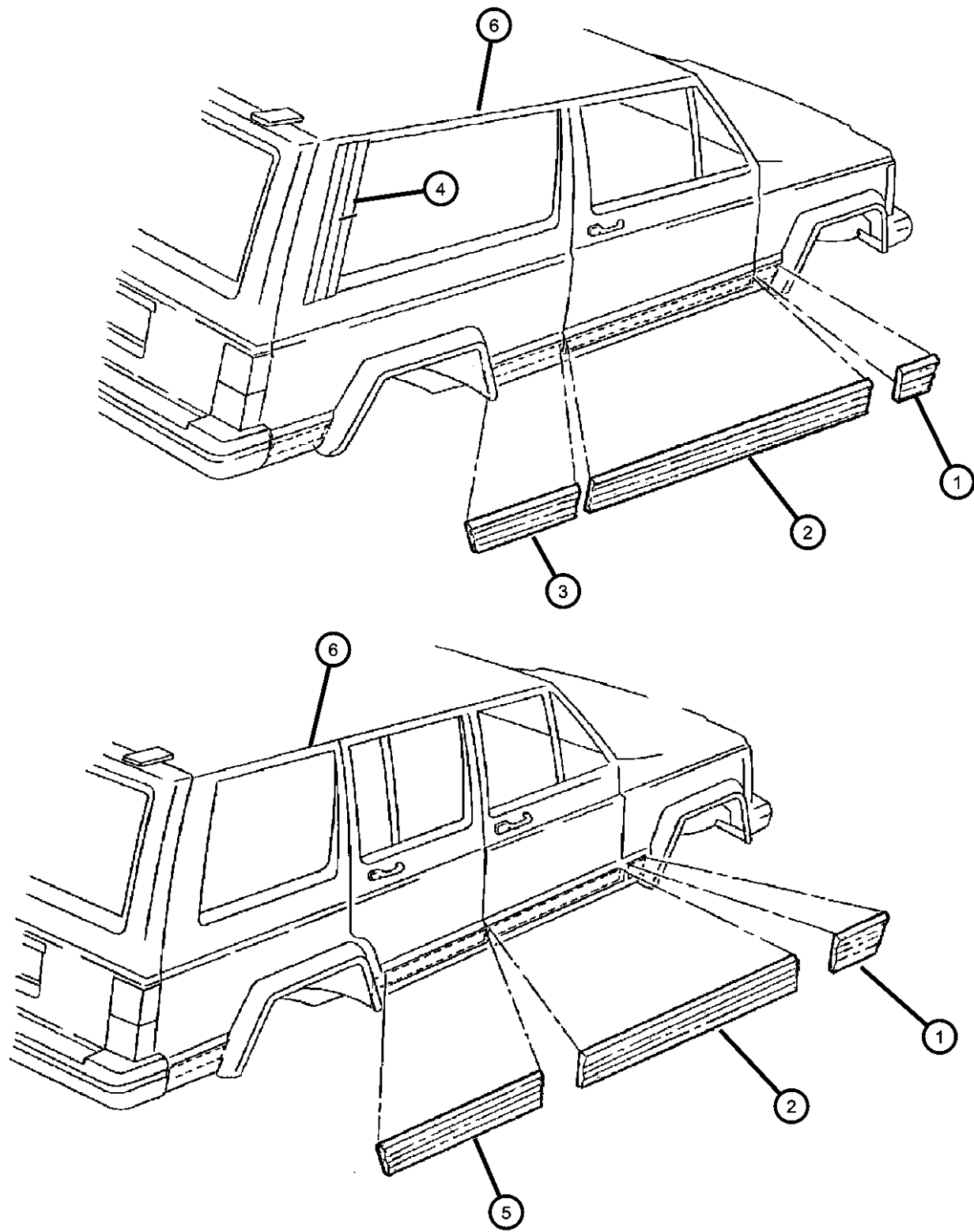
SERIES	LINE
H = Sport	T = JEEP - 2WD
L = SE	B = JEEP - 2WD (RHD)
P = Classic	J = JEEP - 4WD
S = Limited	U = JEEP - 4WD (RHD)

BODY
74 = 4 Dr (101.4WB)
72 = 2 Dr (101.4WB)

ENGINE	TRANSMISSION
ENC = ENGINE - 2.5L 4 CYL TURBO DIESEL	DDD = TRANSMISSION - 5-SPEED HD MANUAL
EPE = ENGINE - 2.5L POWER TECH I-4 Cyl.	DDQ = TRANSMISSION - 5-SPEED MANUAL
ERH = ENGINE - 4.0L POWER TECH I-6	DGD = TRANSMISSION - 3-SPD. AUTOMATIC,30RH
	DGK = TRANSMISSION - 4-SPD. AUTOMATIC,42RE
	DGS = TRANSMISSION-4SPD. AUTO,AISIN WARNER
	DGT = TRANSMISSION - 4-SPD. AUTOMATIC,46RE
	DGW = TRANSMISSION - 4-SPD. AUTOMATIC,44RE
	DGX = TRANSMISSION - 4-SPEED AUTOMATIC
	DBB = ALL MANUAL TRANSMISSIONS
	DGO = ALL AUTOMATIC TRANSMISSIONS

AR = use ase required - = Non illustrated part

**Moldings Body Side
Figure EXJ-215**



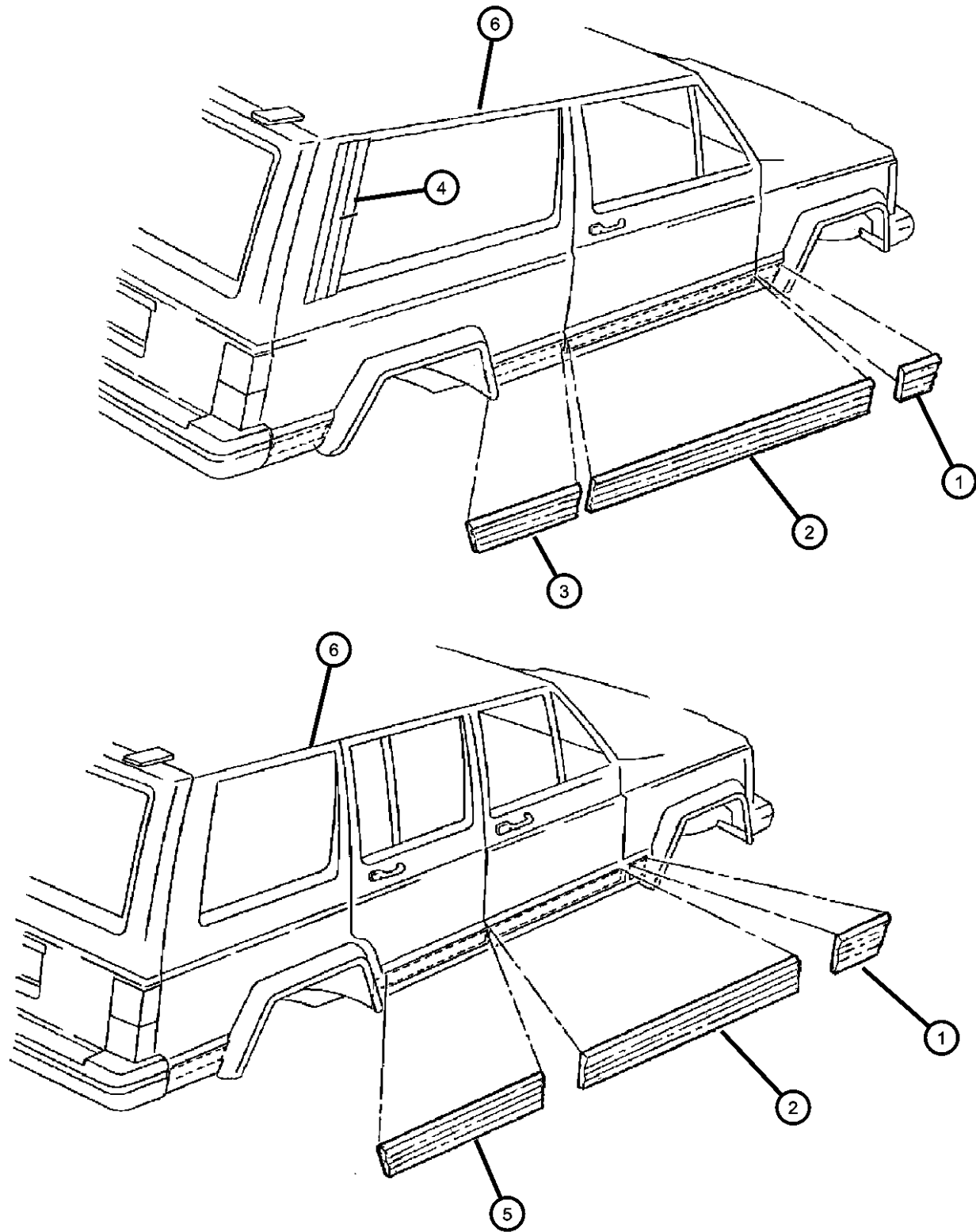
ITEM	PART NUMBER	QTY	LINE	SERIES	BODY	ENGINE	TRANS	TRIM	DESCRIPTION
1									MOLDING, Fender
	5DY12DX9AB	1		H					Black w/o Country Package, Right
	5DY13DX9AB	1		H					Black w/o Country Package, Left
	5EM46DX8AB	1		P					Black w/Country Package, Right
	5EM46PR4AB	1		P					Red w/Country Package, Right
	5EM46RJAB	1		P					Moss Green w/Country Package, Right
	5EM46SG8AB	1		P					Green w/Country Package, Right
	5EM46SW1AB	1		P					White w/Country Package, Right
	5EM46WBTAB	1		P					Patriot Blue w/Country Package, Right
	5EM46WTDAB	1		P					Desert Sand w/Country Package, Right
	5EM46WU7AB	1		P					Black Pearl Coat w/Country Package, Right
	5EM46XS5AB	1		P					Dark Gray w/Country Package, Right
	5EM47DX8AB	1		P					Black w/Country Package, Left
	5EM47PR4AB	1		P					Red w/Country Package, Left
	5EM47RJAB	1		P					Moss Green w/Country Package, Left
	5EM47SG8AB	1		P					Green w/Country Package, Left
	5EM47SW1AB	1		P					White w/Country Package, Left
	5EM47WBTAB	1		P					Patriot Blue w/Country Package, Left
	5EM47WTDAB	1		P					Desert Sand w/Country Package, Left
	5EM47WU7AB	1		P					Black Pearl Coat w/Country Package, Left
	5EM47XS5AB	1		P					Dark Gray w/Country Package, Left

CHEROKEE (XJ)

SERIES	LINE	BODY	ENGINE	TRANSMISSION
H = Sport	T = JEEP - 2WD	74 = 4 Dr (101.4WB)	ENC = ENGINE - 2.5L 4 CYL TURBO DIESEL	DDD = TRANSMISSION - 5-SPEED HD MANUAL
L = SE	B = JEEP - 2WD (RHD)	72 = 2 Dr (101.4WB)	EPE = ENGINE - 2.5L POWER TECH I-4 Cyl.	DDQ = TRANSMISSION - 5-SPEED MANUAL
P = Classic	J = JEEP - 4WD		ERH = ENGINE - 4.0L POWER TECH I-6	DGD = TRANSMISSION - 3-SPD. AUTOMATIC,30RH
S = Limited	U = JEEP - 4WD (RHD)			DGK = TRANSMISSION - 4-SPD. AUTOMATIC,42RE
				DGS = TRANSMISSION-4SPD. AUTO,AISIN WARNER
				DGT = TRANSMISSION - 4-SPD. AUTOMATIC,46RE
				DGW = TRANSMISSION - 4-SPD. AUTOMATIC,44RE
				DGX = TRANSMISSION - 4-SPEED AUTOMATIC
				DBB = ALL MANUAL TRANSMISSIONS
				DGO = ALL AUTOMATIC TRANSMISSIONS

AR = use ase required - = Non illustrated part

**Moldings Body Side
Figure EXJ-215**



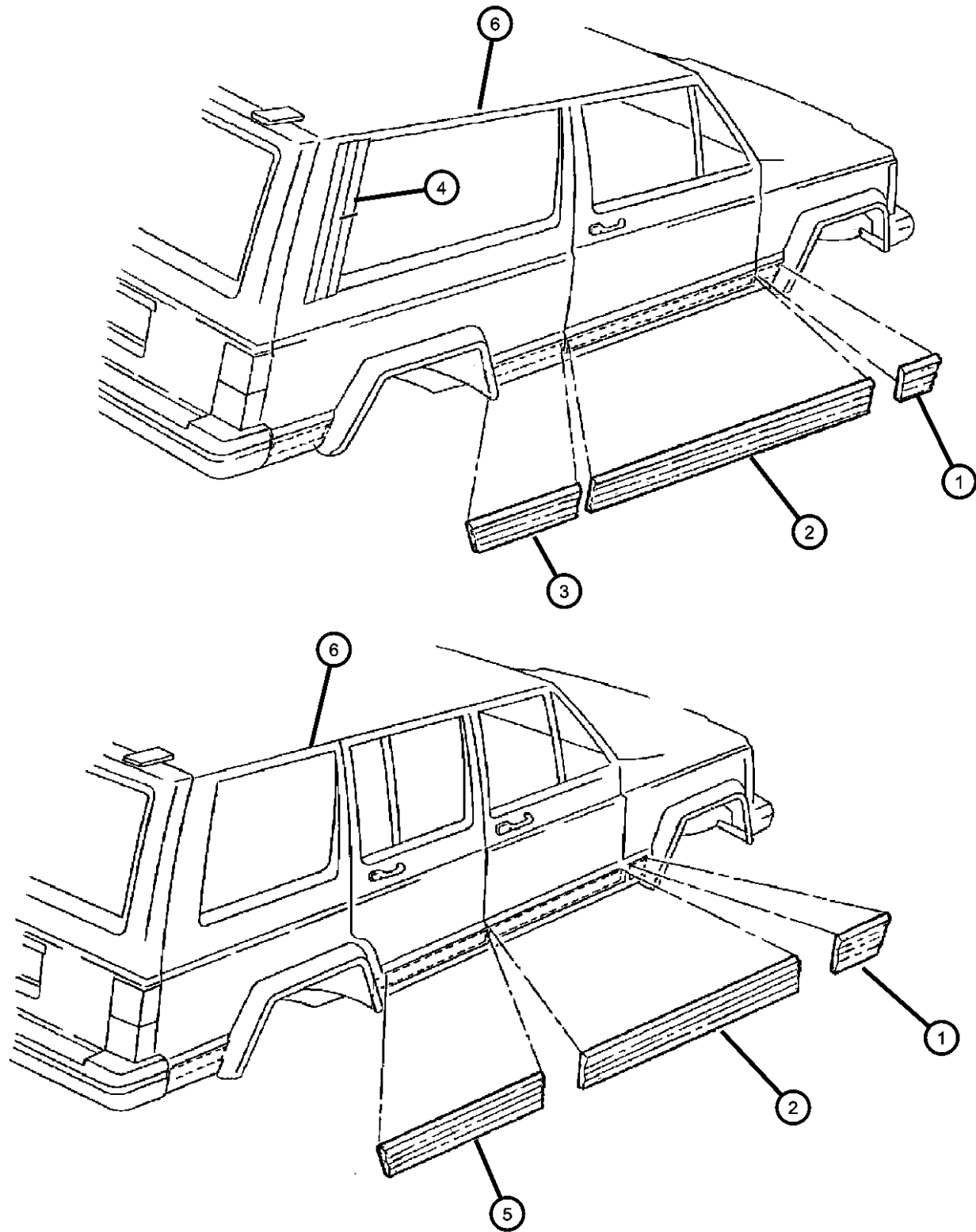
ITEM	PART NUMBER	QTY	LINE	SERIES	BODY	ENGINE	TRANS	TRIM	DESCRIPTION
2									MOLDING, Front Door
	5DY14DX9AC	1	J, T, U	H	72				Black w/o Country Package, Right
	5DY15DX9AC	1	J, T, U	H	72				Black w/o Country Package, Left
	5DY16DX9AC	1		H	74				Black w/o Country Package, Right
	5DY17DX9AC	1		H	74				Black w/o Country Package, Left
	5EM56DX8AC	1		P, S	74				Black w/Country Package, Right
	5EM56PR4AC	1		P, S	74				Red w/Country Package, Right
	5EM56RJ PAC	1		P, S	74				Moss Green w/Country Package, Right
	5EM56SG8AC	1		P, S	74				Green w/Country Package, Right
	5EM56SW1AC	1		P, S	74				White w/Country Package, Right
	5EM56WB-TAC	1		P, S	74				Patriot Blue w/Country Package, Right
	5EM56WT-DAC	1		P, S	74				Desert Sand w/Country Package, Right
	5EM56WU7AC	1		P, S	74				Black Pearl Coat w/Country Package, Right
	5EM56XS5AC	1		P, S	74				Dark Gray w/Country Package, Right
	5EM57DX8AC	1		P, S	74				Black w/Country Package, Left
	5EM57PR4AC	1		P, S	74				Red w/Country Package, Left
	5EM57RJ PAC	1		P, S	74				Moss Green w/Country Package, Left
	5EM57SG8AC	1		P, S	74				Green w/Country Package, Left
	5EM57SW1AC	1		P, S	74				White w/Country Package, Left
	5EM57WB-TAC	1		P, S	74				Patriot Blue w/Country Package, Left

CHEROKEE (XJ)

SERIES	LINE	BODY	ENGINE	TRANSMISSION
H = Sport	T = JEEP - 2WD	74 = 4 Dr (101.4WB)	ENC = ENGINE - 2.5L 4 CYL TURBO DIESEL	DDD = TRANSMISSION - 5-SPEED HD MANUAL
L = SE	B = JEEP - 2WD (RHD)	72 = 2 Dr (101.4WB)	EPE = ENGINE - 2.5L POWER TECH I-4 Cyl.	DDQ = TRANSMISSION - 5-SPEED MANUAL
P = Classic	J = JEEP - 4WD		ERH = ENGINE - 4.0L POWER TECH I-6	DGD = TRANSMISSION - 3-SPD. AUTOMATIC,30RH
S = Limited	U = JEEP - 4WD (RHD)			DGK = TRANSMISSION - 4-SPD. AUTOMATIC,42RE
				DGS = TRANSMISSION-4SPD. AUTO,AISIN WARNER
				DGT = TRANSMISSION - 4-SPD. AUTOMATIC,46RE
				DGW = TRANSMISSION - 4-SPD. AUTOMATIC,44RE
				DGX = TRANSMISSION - 4-SPEED AUTOMATIC
				DBB = ALL MANUAL TRANSMISSIONS
				DGO = ALL AUTOMATIC TRANSMISSIONS

AR = use ase required - = Non illustrated part

Moldings Body Side
Figure EXJ-215



ITEM	PART NUMBER	QTY	LINE	SERIES	BODY	ENGINE	TRANS	TRIM	DESCRIPTION
	5EM57WT-DAC	1		P, S	74				Desert Sand w/Country Package, Left
	5EM57WU7AC	1		P, S	74				Black Pearl Coat w/Country Package, Left
	5EM57XS5AC	1		P, S	74				Dark Gray w/Country Package, Left
3									MOLDING, Quarter Panel Right
	5DY26DX9AC	1	J, T, U	H	72				Left
	5DY27DX9AC	1	J, T, U	H	72				Right
4									APPLIQUE, Quarter Window Right
	55025788	1	J, T, U		72				Left
	55025789	1	J, T, U		72				Right
5									MOLDING, Rear Door
	5DY18DX9AC	1		H	74				Black w/o Country Package, Right
	5DY19DX9AC	1		H	74				Black w/o Country Package, Left
	5EM58DX8AC	1		P, S	74				Black w/Country Package, Right
	5EM58PR4AC	1		P, S	74				Red w/Country Package, Right
	5EM58RJAC	1		P, S	74				Moss Green w/Country Package, Right
	5EM58SG8AC	1		P, S	74				Green w/Country Package, Right
	5EM58SW1AC	1		P, S	74				White w/Country Package, Right
	5EM58WB-TAC	1		P, S	74				Patriot Blue w/Country Package, Right
	5EM58WT-DAC	1		P, S	74				Desert Sand w/Country Package, Right
	5EM58WU7AC	1		P, S	74				Black Pearl Coat w/Country Package, Right
	5EM58XS5AC	1		P, S	74				Dark Gray w/Country Package, Right

CHEROKEE (XJ)

SERIES

H = Sport
L = SE
P = Classic
S = Limited

LINE

T = JEEP - 2WD
B = JEEP - 2WD (RHD)
J = JEEP - 4WD
U = JEEP - 4WD (RHD)

BODY

74 = 4 Dr (101.4WB)
72 = 2 Dr (101.4WB)

ENGINE

ENC = ENGINE - 2.5L 4 CYL TURBO DIESEL
EPE = ENGINE - 2.5L POWER TECH I-4 Cyl.
ERH = ENGINE - 4.0L POWER TECH I-6

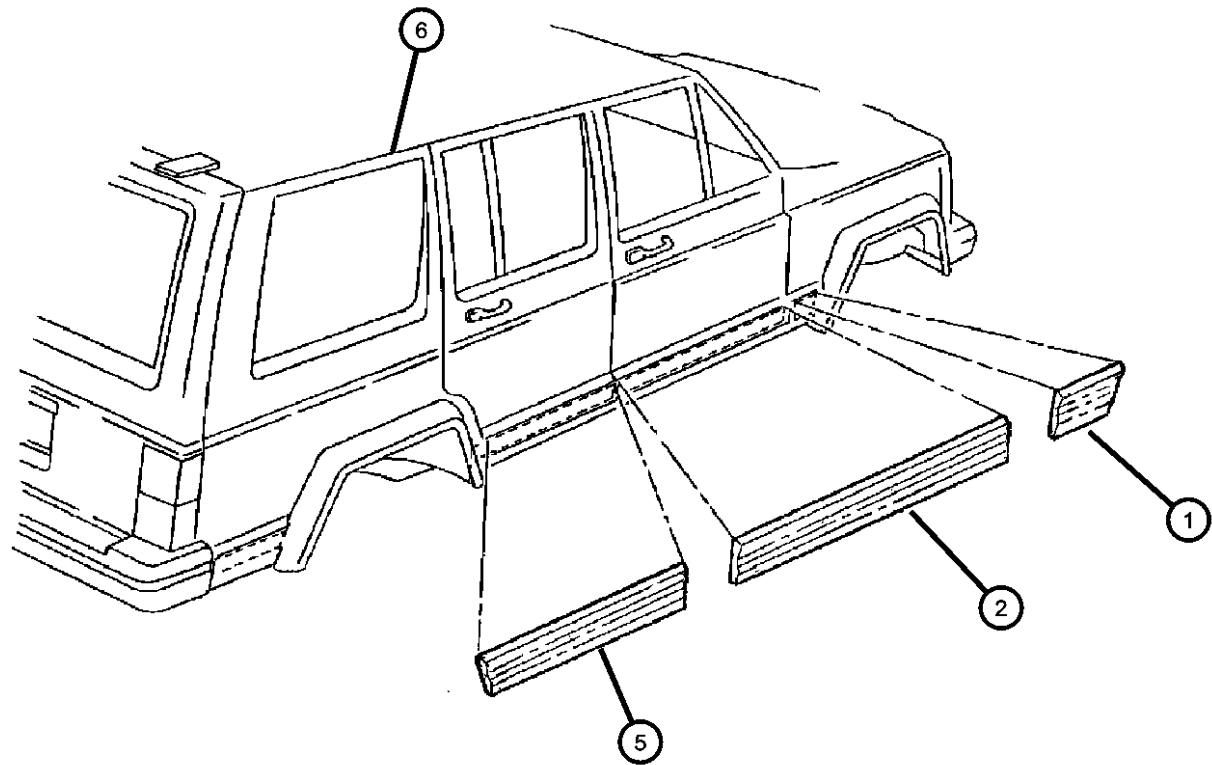
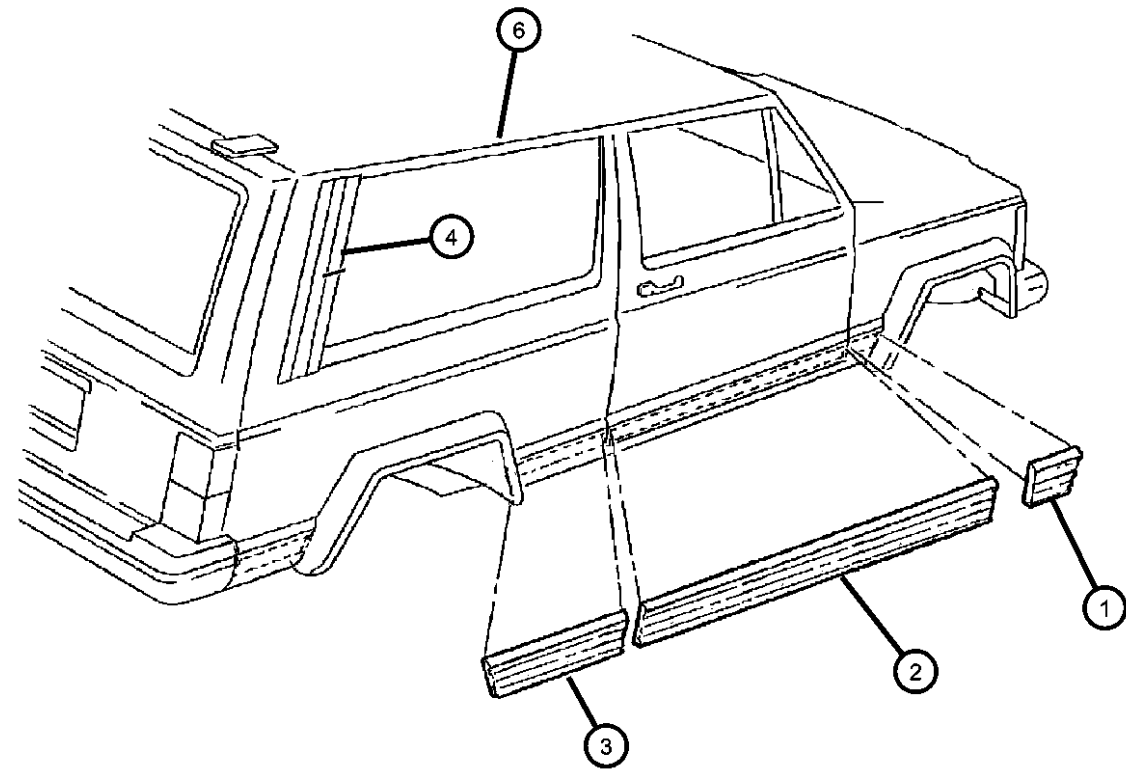
TRANSMISSION

DDD = TRANSMISSION - 5-SPEED HD MANUAL
DDQ = TRANSMISSION - 5-SPEED MANUAL
DGD = TRANSMISSION - 3-SPD. AUTOMATIC,30RH
DGK = TRANSMISSION - 4-SPD. AUTOMATIC,42RE
DGS = TRANSMISSION-4SPD. AUTO,AISIN WARNER
DGT = TRANSMISSION - 4-SPD. AUTOMATIC,46RE
DGW = TRANSMISSION - 4-SPD. AUTOMATIC,44RE
DGX = TRANSMISSION - 4-SPEED AUTOMATIC
DBB = ALL MANUAL TRANSMISSIONS
DGO = ALL AUTOMATIC TRANSMISSIONS

AR = use ase required - = Non illustrated part

2000 XJ

**Moldings Body Side
Figure EXJ-215**



ITEM	PART NUMBER	QTY	LINE	SERIES	BODY	ENGINE	TRANS	TRIM	DESCRIPTION
	5EM59DX8AC	1		P, S	74				Black w/Country Package, Left
	5EM59PR4AC	1		P, S	74				Red w/Country Package, Left
	5EM59RJPAC	1		P, S	74				Moss Green w/Country Package, Left
	5EM59SG8AC	1		P, S	74				Green w/Country Package, Left
	5EM59SW1AC	1		P, S	74				White w/Country Package, Left
	5EM59WB-TAC	1		P, S	74				Patriot Blue w/Country Package, Left
	5EM59WT-DAC	1		P, S	74				Desert Sand w/Country Package, Left
	5EM59WU7AC	1		P, S	74				Black Pearl Coat w/Country Package, Left
	5EM59XS5AC	1		P, S	74				Dark Gray w/Country Package, Left
6									MOLDING, Drip Rail
	04856714	1							Right
	04856715	1							Left
-7	55235518	10							CLIP, Roof Drip Molding

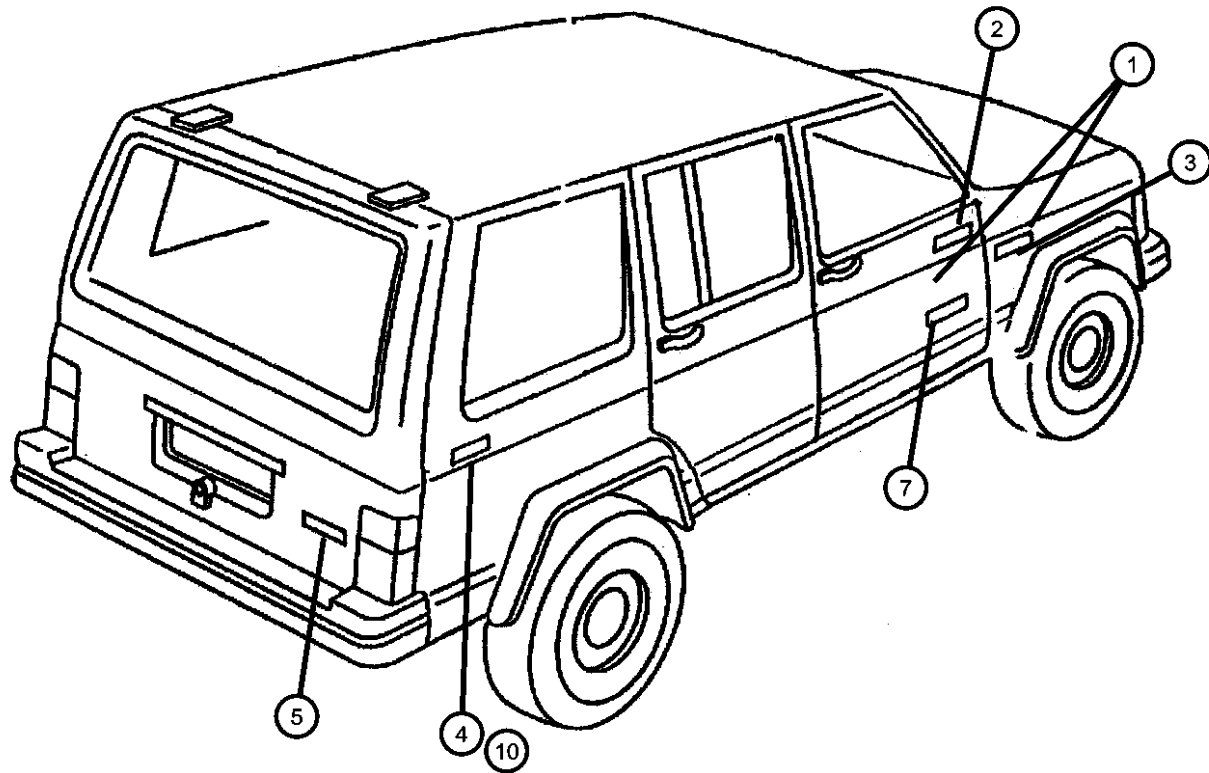
CHEROKEE (XJ)

SERIES	LINE	BODY	ENGINE	TRANSMISSION
H = Sport	T = JEEP - 2WD	74 = 4 Dr (101.4WB)	ENC = ENGINE - 2.5L 4 CYL TURBO DIESEL	DDD = TRANSMISSION - 5-SPEED HD MANUAL
L = SE	B = JEEP - 2WD (RHD)	72 = 2 Dr (101.4WB)	EPE = ENGINE - 2.5L POWER TECH I-4 Cyl.	DDQ = TRANSMISSION - 5-SPEED MANUAL
P = Classic	J = JEEP - 4WD		ERH = ENGINE - 4.0L POWER TECH I-6	DGD = TRANSMISSION - 3-SPD. AUTOMATIC,30RH
S = Limited	U = JEEP - 4WD (RHD)			DGK = TRANSMISSION - 4-SPD. AUTOMATIC,42RE
				DGS = TRANSMISSION-4SPD. AUTO,AISIN WARNER
				DGT = TRANSMISSION - 4-SPD. AUTOMATIC,46RE
				DGW = TRANSMISSION - 4-SPD. AUTOMATIC,44RE
				DGX = TRANSMISSION - 4-SPEED AUTOMATIC
				DBB = ALL MANUAL TRANSMISSIONS
				DGO = ALL AUTOMATIC TRANSMISSIONS

AR = use ase required - = Non illustrated part

**Decals
Figure EXJ-310**

ITEM	PART NUMBER	QTY	LINE	SERIES	BODY	ENGINE	TRANS	TRIM	DESCRIPTION
1	5GN26CA1AA	2							DECAL, Sport, Silver
2	5FY12CA1AA	2		P	74				DECAL, Country, Silver
3									DIMENSIONAL GRAPHIC
	55156022AA	2							Cherokee, Chrome
	55156023AA	2							Limited, Chrome
	55156026AA	1							4.0 Litre
	5GC82CA1AA	2							Cherokee, Silver
4									NAMEPLATE, Jeep
	55155622	2	J, U						Chrome
	5EM87SA1	1							Silver
5	5HD22CA1AA	1							DECAL, 4.0 Litre High Output
-6	5FJ65CA1	1							DECAL, Liftgate, Turbo Diesel
7	5GM60CA1AA	2							DECAL, Front Door, Classic
-8	55155623	2	J, U						NAMEPLATE, Chrome, 4x4
-9	5HK95YB5AA	2							DECAL, Freedom
10	5EM89SA1	2	J, U						NAMEPLATE, Jeep, 4x4



CHEROKEE (XJ)

SERIES	LINE
H = Sport	T = JEEP - 2WD
L = SE	B = JEEP - 2WD (RHD)
P = Classic	J = JEEP - 4WD
S = Limited	U = JEEP - 4WD (RHD)

BODY
74 = 4 Dr (101.4WB)
72 = 2 Dr (101.4WB)

ENGINE
ENC = ENGINE - 2.5L 4 CYL TURBO DIESEL
EPE = ENGINE - 2.5L POWER TECH I-4 Cyl.
ERH = ENGINE - 4.0L POWER TECH I-6

TRANSMISSION
DDD = TRANSMISSION - 5-SPEED HD MANUAL
DDQ = TRANSMISSION - 5-SPEED MANUAL
DGD = TRANSMISSION - 3-SPD. AUTOMATIC,30RH
DGK = TRANSMISSION - 4-SPD. AUTOMATIC,42RE
DGS = TRANSMISSION-4SPD. AUTO,AISIN WARNER
DGT = TRANSMISSION - 4-SPD. AUTOMATIC,46RE
DGW = TRANSMISSION - 4-SPD. AUTOMATIC,44RE
DGX = TRANSMISSION - 4-SPEED AUTOMATIC
DBB = ALL MANUAL TRANSMISSIONS
DGO = ALL AUTOMATIC TRANSMISSIONS

AR = use ase required - = Non illustrated part

2000 XJ

Group - IXJ

Interior Trim

Group - IXJ Interior Trim

Illustration Title

Group-Fig. No.

Headliner and Visor

Headliner and Upper Trim Moldings Fig. IXJ - 110
 Visors and Vanity Mirrors Fig. IXJ - 120

Moldings, Scuff Plates

Panels, Interior Trim, Front, 2 Door Fig. IXJ - 210
 Panels, Interior Trim, Rear, 2 Door Fig. IXJ - 215
 Panels, Interior Trim, Front, 4 Door Fig. IXJ - 220
 Panels, Interior Trim, Rear, 4 Door Fig. IXJ - 225

Carpet

Carpets and Mats Fig. IXJ - 310
 Insulation Fig. IXJ - 320
 Cover, Cargo Fig. IXJ - 330

Door Trim Panels-Front and Rear

Interior Trim Parts, 2 Door Fig. IXJ - 410
 Interior Trim Parts, 4 Door Fig. IXJ - 420

Front Seats and Attaching Parts

Seat Covers and Seat Assemblies Fig. IXJ - 510

Rear Seats and Attaching Parts

Frame and Pad Fig. IXJ - 610
 Covers, Seat Upholstery Fig. IXJ - 620

Seat Belts-Front and Rear

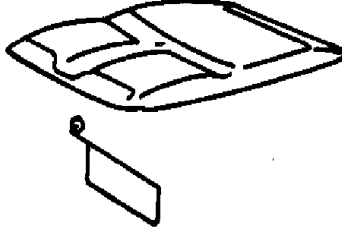
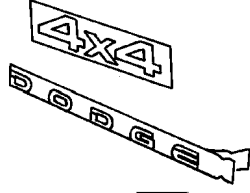
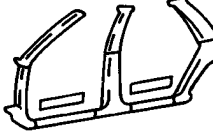
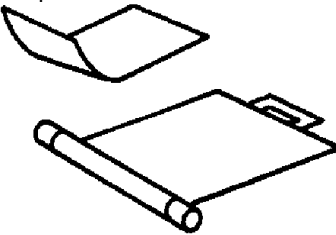
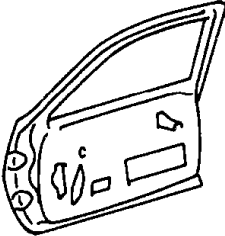
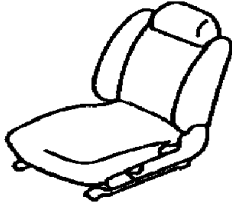
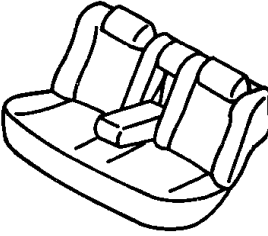
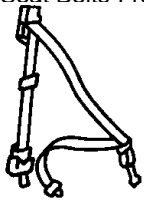
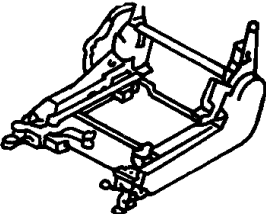
Seat Belts, Front Seat 2 Door Fig. IXJ - 710
 Seat Belts, Front Seat 4 Door Fig. IXJ - 720
 Seat Belts, Rear Seats Fig. IXJ - 730

Adjusters, Covers, Shields, and Risers

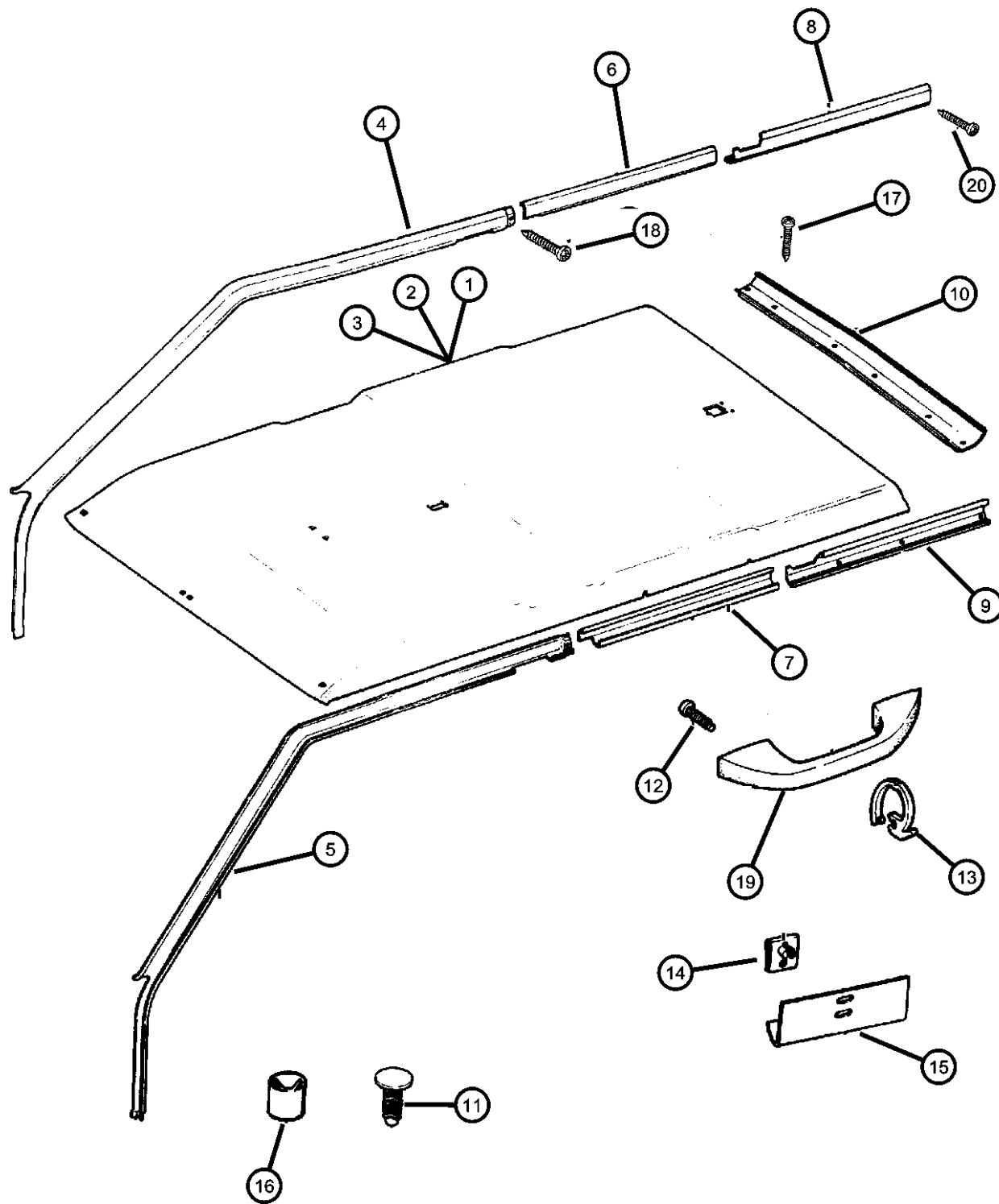
Recliner and Adjuster Fig. IXJ - 810

Lift Gate Trim

Liftgate Trim Panel Fig. IXJ - 1010

<p>IXJ-100 Headliner and Visor</p> 	<p>IXJ-1000 Lift Gate Trim</p> 	<p>IXJ-200 Moldings, Scuff Plates</p> 	<p>IXJ-300 Carpet</p> 
<p>IXJ-400 Door Trim Panels-Front and Rear</p> 	<p>IXJ-500 Front Seats and Attaching Parts</p> 	<p>IXJ-600 Rear Seats and Attaching Parts</p> 	<p>IXJ-700 Seat Belts-Front and Rear</p> 
<p>IXJ-800 Adjusters, Covers, Shields, and Risers</p> 			

Headliner and Upper Trim Moldings Figure IXJ-110



ITEM	PART NUMBER	QTY	LINE	SERIES	BODY	ENGINE	TRANS	TRIM	DESCRIPTION
------	-------------	-----	------	--------	------	--------	-------	------	-------------

Note: [P.A.R.] = Paint As Required.
 Sales Codes:
 [CF7] = Tether Ready
 [CUN] = Console Overhead
 [LCD] = Lamps Map/Dome Reading
 [LCK] = Lamp Front Dome
 [RCG] = 4 Sprakers
 [RCR] = 6 Speakers, Premium Infinity

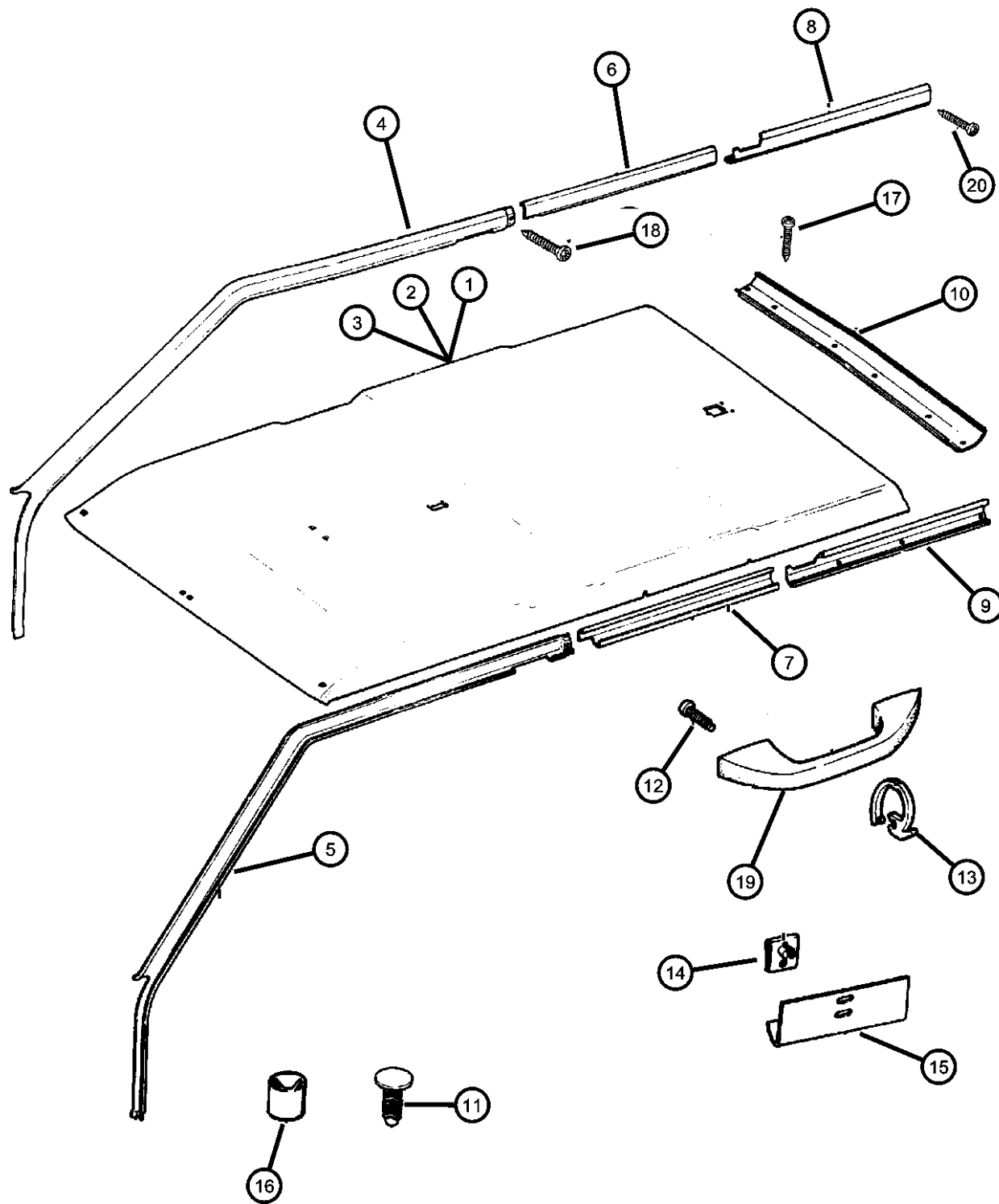
1									HEADLINER, With Lamps Map/Dome Reading, [LCD]
	0SX84HW8AA	1						*00	[AZ], With, 6 Speakers Infinity [RCG], 4 Speakers [RCR], With Child Tether Access Hole of 18mm
	0SX84RK5AA	1						*00	[K5], 6 Speakers Infinity [RCG], 4 Speakers [RCR], With Child Tether Access Hole of 18mm
	0UA73HW8AA	1						*00	[AZ], [LCD], 6 Speakers Infinity [RCG], 4 Speakers [RCR], With Child Tether Access Hole of 10mm
	0UA73RK5AA	1						*00	[K5], [LCD], 6 Speakers Infinity [RCG], 4 Speakers [RCR], With Child Tether Access Hole of 10mm
	5GG42HW8AF	1						*00	[AZ], Tether Ready [CF7], Without 6 Speakers Infinity [RCG], Without 4 Speakers [RCR]
	5GG42RK5AF	1						*00	[K5], Tether Ready [CF7], Without 6 Speakers Infinity [RCG], Without 4 Speakers [RCR]

CHEROKEE (XJ)

SERIES	LINE	BODY	ENGINE	TRANSMISSION
H = Sport	T = JEEP - 2WD	74 = 4 Dr (101.4WB)	ENC = ENGINE - 2.5L 4 CYL TURBO DIESEL	DDD = TRANSMISSION - 5-SPEED HD MANUAL
L = SE	B = JEEP - 2WD (RHD)	72 = 2 Dr (101.4WB)	EPE = ENGINE - 2.5L POWER TECH I-4 Cyl.	DDQ = TRANSMISSION - 5-SPEED MANUAL
P = Classic	J = JEEP - 4WD		ERH = ENGINE - 4.0L POWER TECH I-6	DGD = TRANSMISSION - 3-SPD. AUTOMATIC, 30RH
S = Limited	U = JEEP - 4WD (RHD)			DGK = TRANSMISSION - 4-SPD. AUTOMATIC, 42RE
				DGS = TRANSMISSION-4SPD. AUTO, AISIN WARNER
				DGT = TRANSMISSION - 4-SPD. AUTOMATIC, 46RE
				DGW = TRANSMISSION - 4-SPD. AUTOMATIC, 44RE
				DGX = TRANSMISSION - 4-SPEED AUTOMATIC
				DBB = ALL MANUAL TRANSMISSIONS
				DGO = ALL AUTOMATIC TRANSMISSIONS

AR = use ase required - = Non illustrated part

Headliner and Upper Trim Moldings
Figure IXJ-110



ITEM	PART NUMBER	QTY	LINE	SERIES	BODY	ENGINE	TRANS	TRIM	DESCRIPTION
	5GG42HW8AH	1						*00	[AZ], Without Tether Ready [CF7], Without 6 Speakers Infinity [RCG], Without 4 Speakers [RCR]
	5GG42RK5AH	1						*00	[K5], Without Tether Ready [CF7], Without 6 Speakers Infinity [RCG], Without 4 Speakers [RCR]
2	0SX86HW8AA	1						*00	HEADLINER, With Overhead Console, [CUN]
	0SX86RK5AA	1						*00	[K5], With Child Tether Access Hole of 18mm, [CF7]
	0UA74HW8AA	1						*00	[AZ], With Child Tether Access Hole of 10mm, [CF7]
	0UA74RK5AA	1						*00	[K5], With Child Tether Access Hole of 10mm, [CF7]
3	0SF83HW8AA	1						*00	HEADLINER, With Lamp Front Dome, [LCK]
	0SF83RK5AA	1						*00	[K5], With 6 Speakers Infinity [RCG], 4 Speakers [RCR], With Child Tether Access Hole of 18mm, [CF7]
	0UA72HW8AA	1						*00	[AZ], With 6 Speakers Infinity [RCG], 4 Speakers [RCR], With Child Tether Access Hole of 10mm, [CF7]

CHEROKEE (XJ)

SERIES	LINE
H = Sport	T = JEEP - 2WD
L = SE	B = JEEP - 2WD (RHD)
P = Classic	J = JEEP - 4WD
S = Limited	U = JEEP - 4WD (RHD)

BODY
74 = 4 Dr (101.4WB)
72 = 2 Dr (101.4WB)

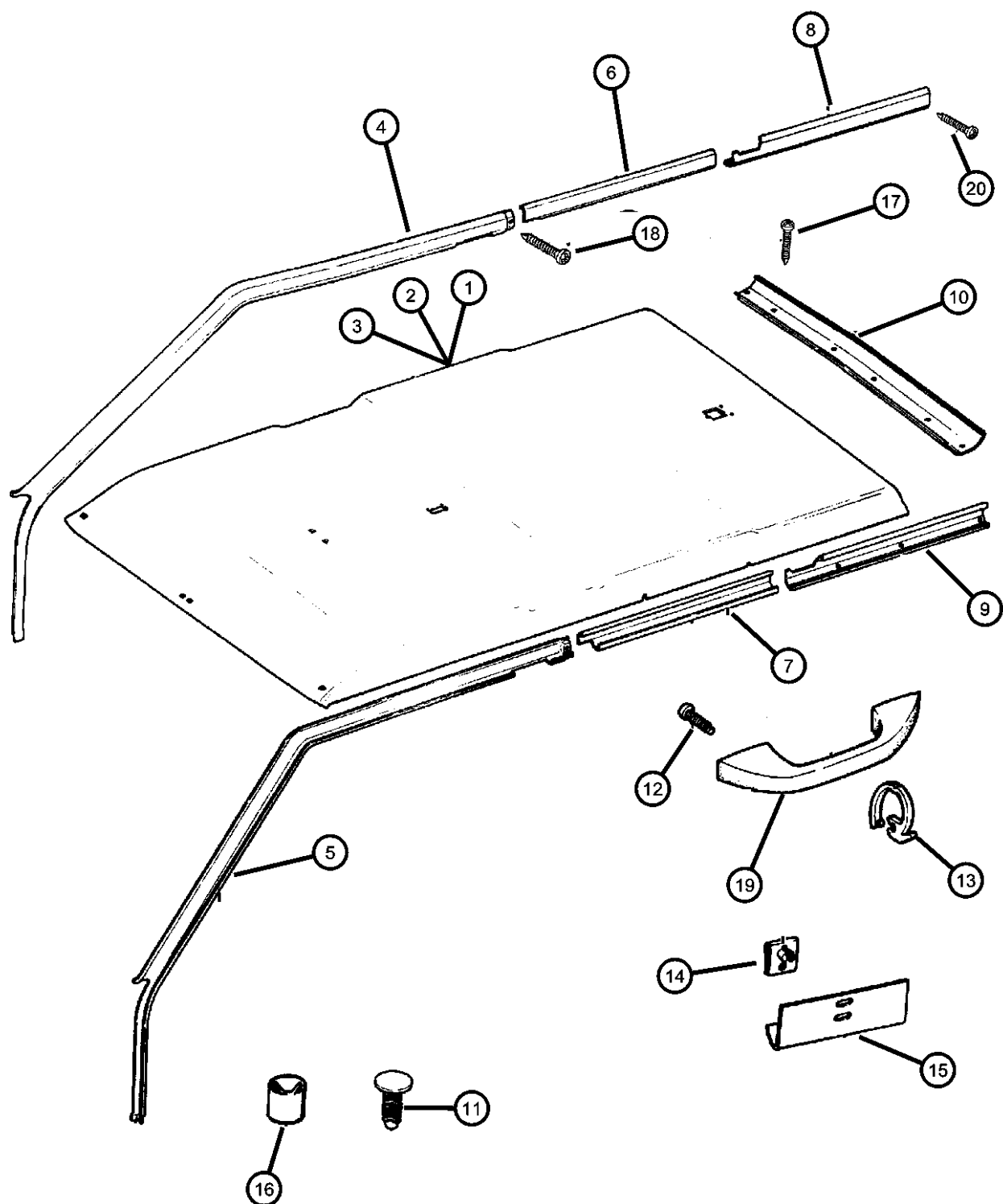
ENGINE
ENC = ENGINE - 2.5L 4 CYL TURBO DIESEL
EPE = ENGINE - 2.5L POWER TECH I-4 Cyl.
ERH = ENGINE - 4.0L POWER TECH I-6

TRANSMISSION
DDD = TRANSMISSION - 5-SPEED HD MANUAL
DDQ = TRANSMISSION - 5-SPEED MANUAL
DGD = TRANSMISSION - 3-SPD. AUTOMATIC,30RH
DGK = TRANSMISSION - 4-SPD. AUTOMATIC,42RE
DGS = TRANSMISSION-4SPD. AUTO,AISIN WARNER
DGT = TRANSMISSION - 4-SPD. AUTOMATIC,46RE
DGW = TRANSMISSION - 4-SPD. AUTOMATIC,44RE
DGX = TRANSMISSION - 4-SPEED AUTOMATIC
DBB = ALL MANUAL TRANSMISSIONS
DGO = ALL AUTOMATIC TRANSMISSIONS

AR = use ase required - = Non illustrated part

2000 XJ

Headliner and Upper Trim Moldings
Figure IXJ-110

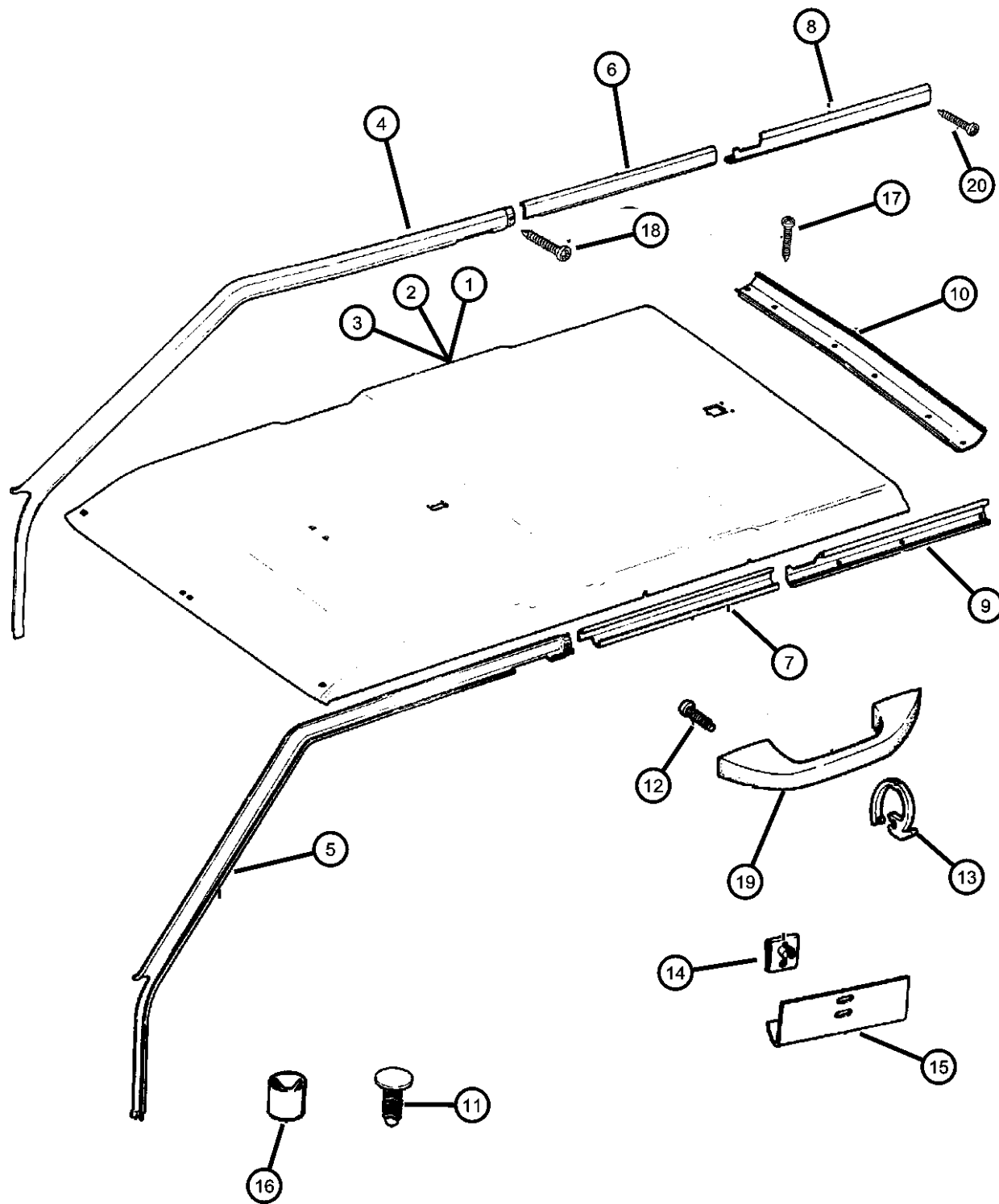


ITEM	PART NUMBER	QTY	LINE	SERIES	BODY	ENGINE	TRANS	TRIM	DESCRIPTION
	0UA72RK5AA	1						*O0	[K5], With 6 Speakers Infinity [RCG], 4 Speakers [RCR], With Child Tether Access Hole of 10mm, [CF7]
	5FM41HW8AE	1						*O0	[AZ], Without 6 Speakers Infinity [RCG], 4 Speakers [RCR], With Child Tether Access Hole, [CF7]
	5FM41RK5AE	1						*O0	[K5], Without 6 Speakers Infinity [RCG], 4 Speakers [RCR], With Child Tether Access Hole, [CF7]
4	5GG38LAZAE	1			74			*O0	[AZ], Right
	5GG38RK5AE	1			74			*O0	[K5], Right
	5GG48LAZAE	1	J, T, U		72			*O0	[AZ], Right
	5GG48RK5AE	1	J, T, U		72			*O0	[K5], Right
5	5GG43LAZAE	1	J, T		74			*O0	[AZ], Left
		1	B, U		74			*O0	[AZ], Left
	5GG43RK5AE	1	B, U		74			*O0	[K5], Left
		1	J, T		74			*O0	[K5], Left
	5GG49LAZAD	1	J, T		72			*O0	[AZ], Without Holes, After 9-18-98, Left
	5GG49RK5AD	1	J, T		72			*O0	[K5], Without Holes, After 9-18-98, Left
	5GG49LAZAE	1	J, T		72			*O0	[AZ], Left
	5GG49RK5AE	1	J, T		72			*O0	[K5], Left
6	5AC62LAZ	1			74			*O0	MOLDING, Headliner, Paint as Required, Right
7	5AC63LAZ	1			74			*O0	MOLDING, Headliner, Paint as Required, Left

CHEROKEE (XJ)				
SERIES	LINE	BODY	ENGINE	TRANSMISSION
H = Sport	T = JEEP - 2WD	74 = 4 Dr (101.4WB)	ENC = ENGINE - 2.5L 4 CYL TURBO DIESEL	DDD = TRANSMISSION - 5-SPEED HD MANUAL
L = SE	B = JEEP - 2WD (RHD)	72 = 2 Dr (101.4WB)	EPE = ENGINE - 2.5L POWER TECH I-4 Cyl.	DDQ = TRANSMISSION - 5-SPEED MANUAL
P = Classic	J = JEEP - 4WD		ERH = ENGINE - 4.0L POWER TECH I-6	DGD = TRANSMISSION - 3-SPD. AUTOMATIC,30RH
S = Limited	U = JEEP - 4WD (RHD)			DGK = TRANSMISSION - 4-SPD. AUTOMATIC,42RE
				DGS = TRANSMISSION-4SPD. AUTO,AISIN WARNER
				DGT = TRANSMISSION - 4-SPD. AUTOMATIC,46RE
				DGW = TRANSMISSION - 4-SPD. AUTOMATIC,44RE
				DGX = TRANSMISSION - 4-SPEED AUTOMATIC
				DBB = ALL MANUAL TRANSMISSIONS
				DGO = ALL AUTOMATIC TRANSMISSIONS

AR = use ase required - = Non illustrated part

Headliner and Upper Trim Moldings
Figure IXJ-110



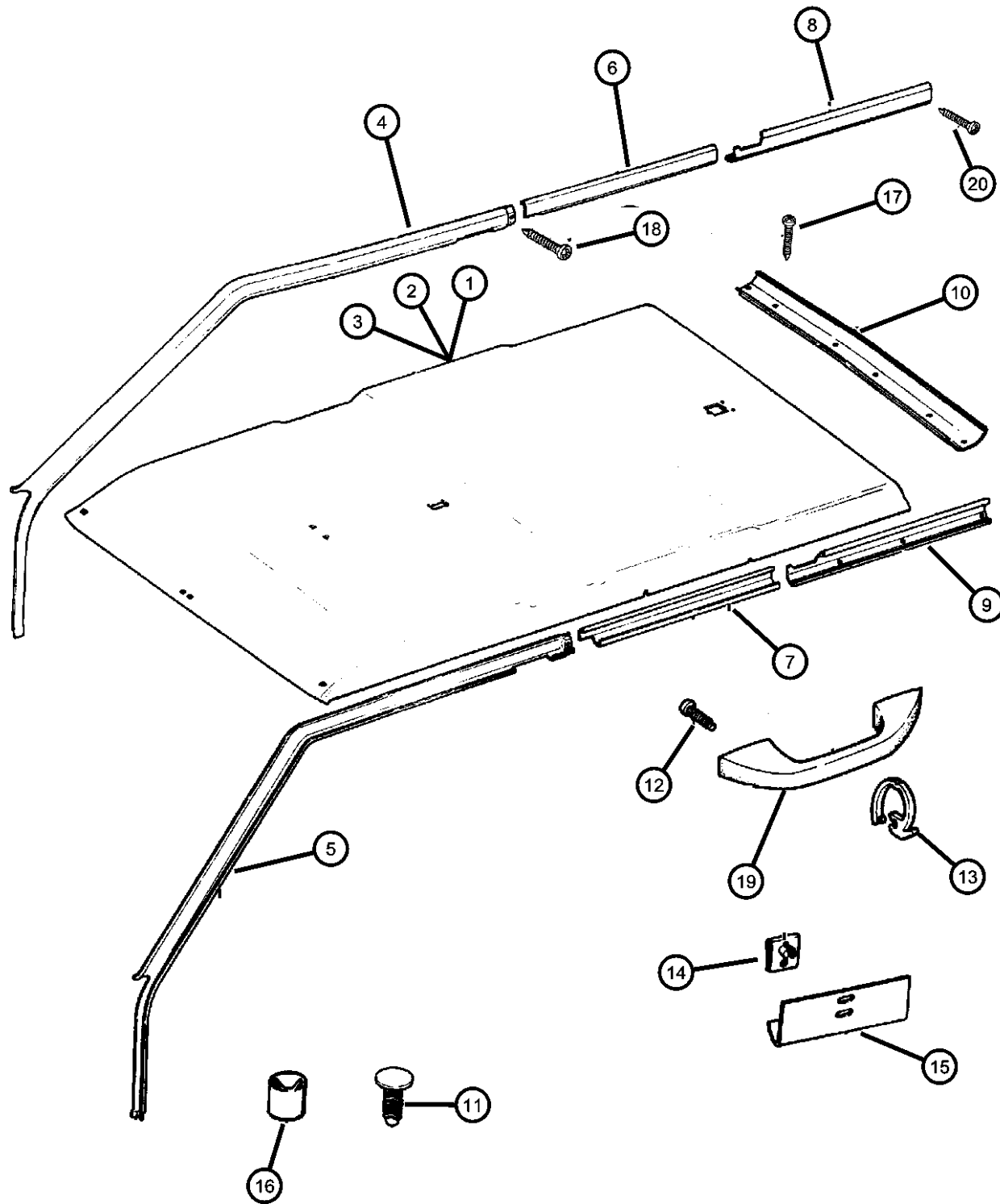
ITEM	PART NUMBER	QTY	LINE	SERIES	BODY	ENGINE	TRANS	TRIM	DESCRIPTION
8	5AC26LAZ	1			74			*O0	MOLDING, Headliner Paint as Required, Right
	5AD74LAZ	1	J, T, U		72			*O0	Paint as Required, Right
9	5AC27LAZ	1			74			*O0	MOLDING, Headliner Paint as Required, Left
	5AD75LAZ	1	J, T, U		72			*O0	Paint as Required, Left
10	5ER43LAZAD	1						*O0	MOLDING, Liftgate Upper [AZ]
	5ER43RK5AD	1						*O0	[K5]
11	06504995AA	4	J, T, U		72				PIN, Push, M6.3x19.84
		4			74				
12	34202189	6	J, T						SCREW, Pan Head Torx, M5x0.8x30.00
		8	B, U						
13	5AD91LAZ	2						*O0	HOOK, Coat, Paint as Required
14	J4000322	2							CLIP, U Type, .625x.719x.020
15	J3681225	1							CLIP, Headliner Mounting
16	55002520	2	J, T, U		72				SPACER, Headliner Molding Rear
17	55002520	2							SCREW, .164-18x.75, (NOT SERVICED)
18	55002520	2							SCREW, Pan Head, .164-18x.75, (NOT SERVICED)
19	5CX10LAZ	3	J, T					*O0	HANDLE, Roof Grab [AZ]

CHEROKEE (XJ)

SERIES	LINE	BODY	ENGINE	TRANSMISSION
H = Sport	T = JEEP - 2WD	74 = 4 Dr (101.4WB)	ENC = ENGINE - 2.5L 4 CYL TURBO DIESEL	DDD = TRANSMISSION - 5-SPEED HD MANUAL
L = SE	B = JEEP - 2WD (RHD)	72 = 2 Dr (101.4WB)	EPE = ENGINE - 2.5L POWER TECH I-4 Cyl.	DDQ = TRANSMISSION - 5-SPEED MANUAL
P = Classic	J = JEEP - 4WD		ERH = ENGINE - 4.0L POWER TECH I-6	DGD = TRANSMISSION - 3-SPD. AUTOMATIC,30RH
S = Limited	U = JEEP - 4WD (RHD)			DGK = TRANSMISSION - 4-SPD. AUTOMATIC,42RE
				DGS = TRANSMISSION-4SPD. AUTO,AISIN WARNER
				DGT = TRANSMISSION - 4-SPD. AUTOMATIC,46RE
				DGW = TRANSMISSION - 4-SPD. AUTOMATIC,44RE
				DGX = TRANSMISSION - 4-SPEED AUTOMATIC
				DBB = ALL MANUAL TRANSMISSIONS
				DGO = ALL AUTOMATIC TRANSMISSIONS

AR = use ase required - = Non illustrated part

**Headliner and Upper Trim Moldings
Figure IXJ-110**



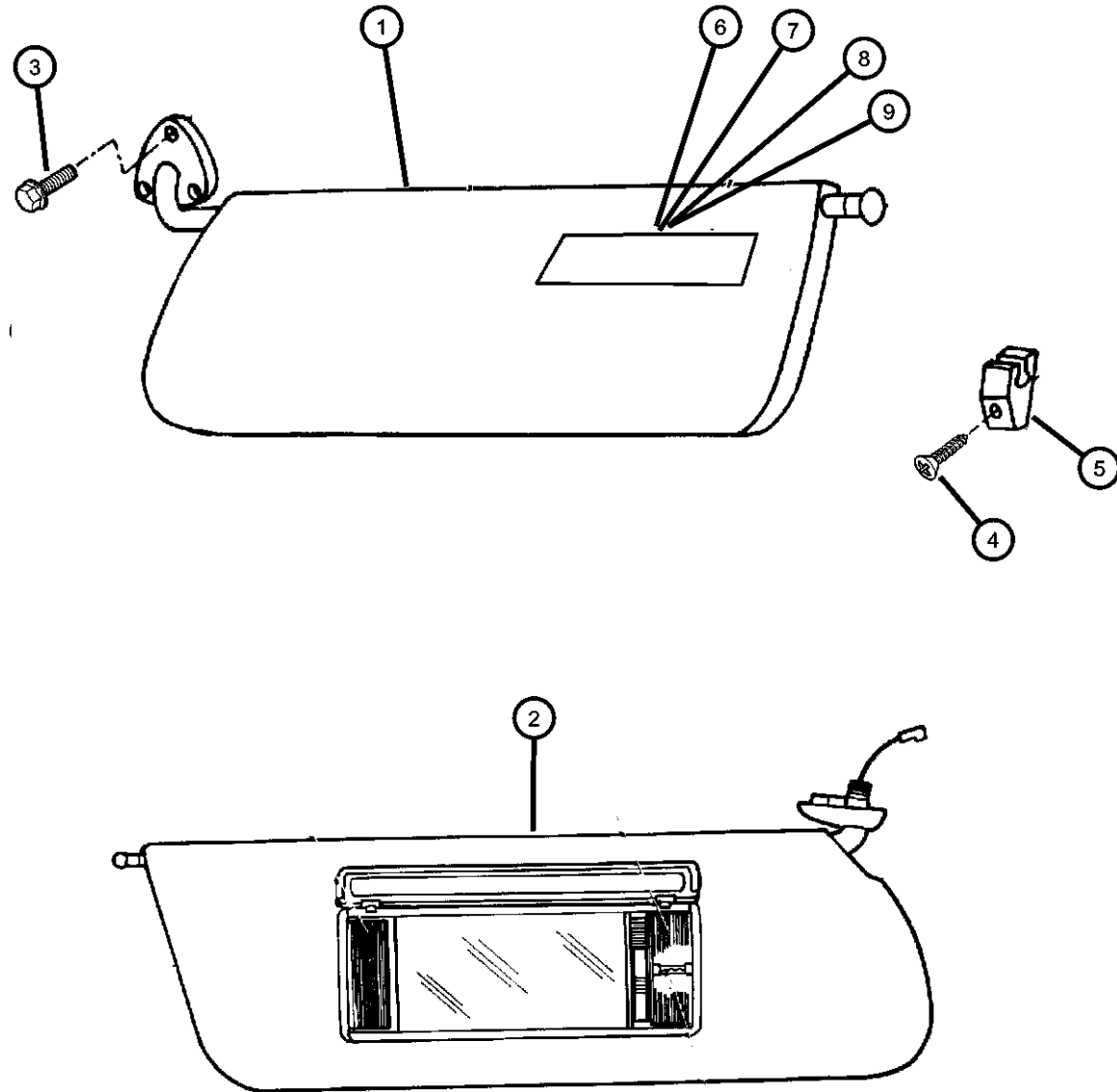
ITEM	PART NUMBER	QTY	LINE	SERIES	BODY	ENGINE	TRANS	TRIM	DESCRIPTION
		4	B, U					*00	[AZ]
	5CX10RK5	3	J, T					*00	[K5]
		4	B, U					*00	[K5]
20	11501614	4			74				SCREW DRILL, Oval Truss Head, .164x18x1.378

CHEROKEE (XJ)

SERIES	LINE	BODY	ENGINE	TRANSMISSION
H = Sport	T = JEEP - 2WD	74 = 4 Dr (101.4WB)	ENC = ENGINE - 2.5L 4 CYL TURBO DIESEL	DDD = TRANSMISSION - 5-SPEED HD MANUAL
L = SE	B = JEEP - 2WD (RHD)	72 = 2 Dr (101.4WB)	EPE = ENGINE - 2.5L POWER TECH I-4 Cyl.	DDQ = TRANSMISSION - 5-SPEED MANUAL
P = Classic	J = JEEP - 4WD		ERH = ENGINE - 4.0L POWER TECH I-6	DGD = TRANSMISSION - 3-SPD. AUTOMATIC,30RH
S = Limited	U = JEEP - 4WD (RHD)			DGK = TRANSMISSION - 4-SPD. AUTOMATIC,42RE
				DGS = TRANSMISSION-4SPD. AUTO,AISIN WARNER
				DGT = TRANSMISSION - 4-SPD. AUTOMATIC,46RE
				DGW = TRANSMISSION - 4-SPD. AUTOMATIC,44RE
				DGX = TRANSMISSION - 4-SPEED AUTOMATIC
				DBB = ALL MANUAL TRANSMISSIONS
				DGO = ALL AUTOMATIC TRANSMISSIONS

AR = use ase required - = Non illustrated part

**Visors and Vanity Mirrors
Figure IXJ-120**



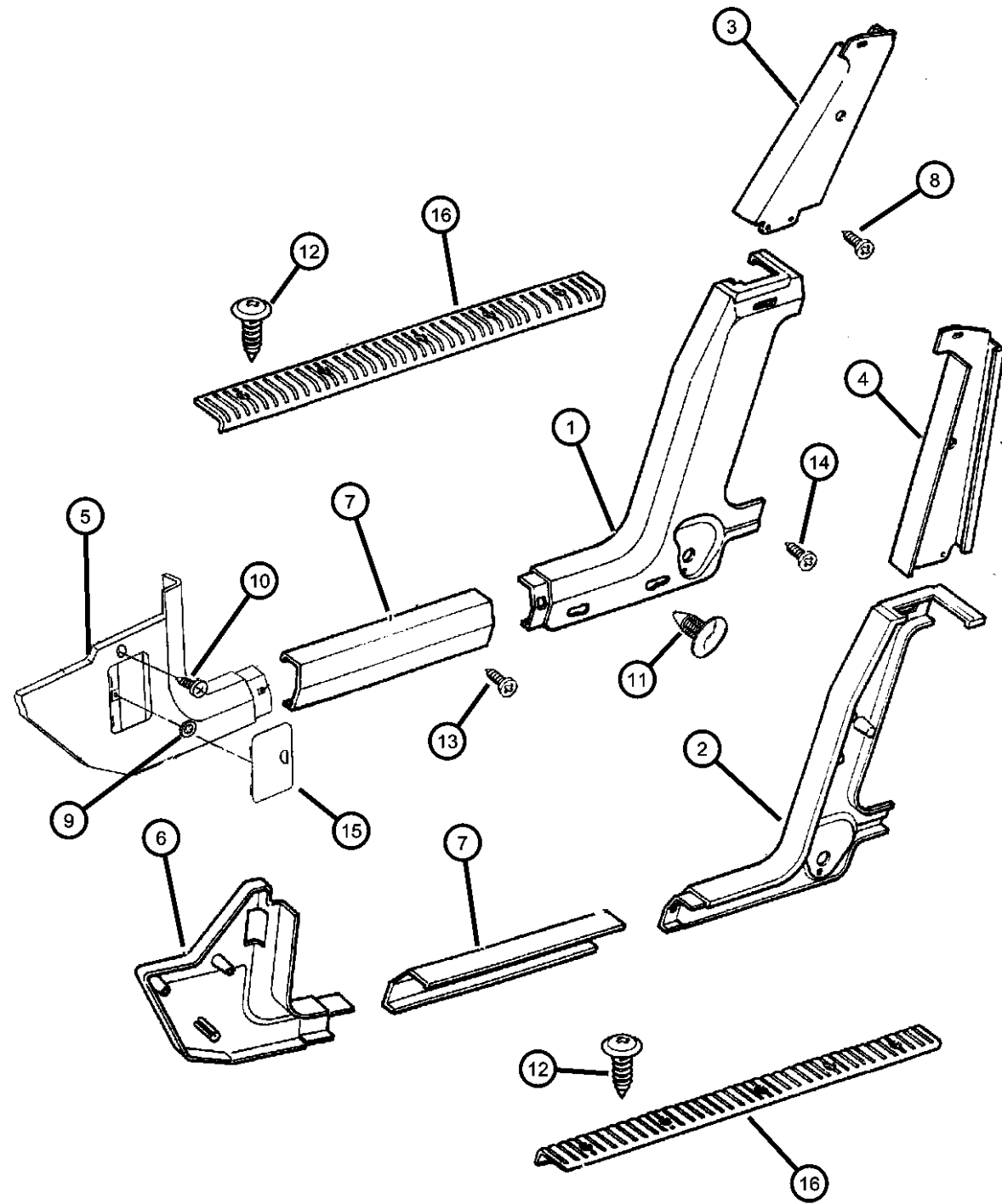
ITEM	PART NUMBER	QTY	LINE	SERIES	BODY	ENGINE	TRANS	TRIM	DESCRIPTION
1									VISOR
	5FX361K5AC	1						*00	[K5], Right
	5FX361W8AC	1						*00	[AZ], Right
	5FX371K5AC	1						*00	[K5], Left
	5FX371W8AC	1						*00	[AZ], Left
2									VISOR, Illuminated
	5FX341K5AC	1						*00	[K5], Right
	5FX341W8AC	1						*00	[AZ], Right
	5FX351K5AC	1						*00	[K5], Left
	5FX351W8AC	1						*00	[AZ], Left
3	06036201AA	6							SCREW, Oval Head Tapping, .164x18x.984
4	34201398	2							SCREW AND WASHER, Oval Truss Head, .164-18x.984
5									CLIP, Visor
	0DF49HW8AB	2						*00	[AZ]
	0DF49RK5AB	2						*00	[K5]
6									LABEL, Transfer Case Shift
	53009357	1			J, U				English, With 242
	53009358	1			J, U				Bilingual, With 242
7	52006337AB	1							LABEL, Diesel Starting
8	04787437AA	2			J, T				LABEL, Air Bag Warning, English and French, 5 Points
9									LABEL, Airbag
	04897875AA	1						*00	
	55196783AA	2			J, T				CANADA

CHEROKEE (XJ)

SERIES	LINE	BODY	ENGINE	TRANSMISSION
H = Sport	T = JEEP - 2WD	74 = 4 Dr (101.4WB)	ENC = ENGINE - 2.5L 4 CYL TURBO DIESEL	DDD = TRANSMISSION - 5-SPEED HD MANUAL
L = SE	B = JEEP - 2WD (RHD)	72 = 2 Dr (101.4WB)	EPE = ENGINE - 2.5L POWER TECH I-4 Cyl.	DDQ = TRANSMISSION - 5-SPEED MANUAL
P = Classic	J = JEEP - 4WD		ERH = ENGINE - 4.0L POWER TECH I-6	DGD = TRANSMISSION - 3-SPD. AUTOMATIC,30RH
S = Limited	U = JEEP - 4WD (RHD)			DGK = TRANSMISSION - 4-SPD. AUTOMATIC,42RE
				DGS = TRANSMISSION-4SPD. AUTO,AISIN WARNER
				DGT = TRANSMISSION - 4-SPD. AUTOMATIC,46RE
				DGW = TRANSMISSION - 4-SPD. AUTOMATIC,44RE
				DGX = TRANSMISSION - 4-SPEED AUTOMATIC
				DBB = ALL MANUAL TRANSMISSIONS
				DGO = ALL AUTOMATIC TRANSMISSIONS

AR = use ase required - = Non illustrated part

**Panels, Interior Trim, Front, 2 Door
Figure IXJ-210**



ITEM	PART NUMBER	QTY	LINE	SERIES	BODY	ENGINE	TRANS	TRIM	DESCRIPTION
[P.A.R.] = Paint As Required									
1	5EW90LAZAD	1	J, T, U		72			*O0	EXTENSION, B Pillar, [P.A.R.], Right
2	5EW91LAZAD	1	J, T, U		72			*O0	EXTENSION, B Pillar, [P.A.R.], Left
3	5ER16LAZAF	1	J, T, U		72			*O0	COVER, Lock Pillar [AZ], Right
	5ER16RK5AF	1	J, T, U		72			*O0	[K5], Right
4	5ER17LAZAF	1	J, T, U		72			*O0	COVER, Lock Pillar [AZ], Left
	5ER17RK5AF	1	J, T, U		72			*O0	[K5], Left
5	5EG14LAZAE	1						*O0	PANEL, Cowl Side Trim [AZ], Right
	5EG14RK5AE	1						*O0	[K5], Right
6	5EG17LAZAD	1	J, T					*O0	PANEL, Cowl Side Trim [AZ], Left
	5EG17RK5AD	1	J, T					*O0	[K5], Left
	5ES93LAZAD	1	B, U					*O0	[AZ], Left
	5ES93RK5AD	1	B, U					*O0	[K5], Left
7	5EW78LAZ	1	J, T, U		72			*O0	PLATE, Scuff [AZ], Right
	5EW78RK5	1	J, T, U		72			*O0	[K5], Right
	5EW79LAZ	1	J, T, U		72			*O0	[AZ], Left
	5EW79RK5	1	J, T, U		72			*O0	[K5], Left
8	34201314	4	J, T, U		72				SCREW, Tapping Round Head, .164x18x1.232
9	06033560	1							NUT AND WASHER, Hex Nut-Coned Washer, .25-20

CHEROKEE (XJ)

SERIES

H = Sport
L = SE
P = Classic
S = Limited

LINE

T = JEEP - 2WD
B = JEEP - 2WD (RHD)
J = JEEP - 4WD
U = JEEP - 4WD (RHD)

BODY

74 = 4 Dr (101.4WB)
72 = 2 Dr (101.4WB)

ENGINE

ENC = ENGINE - 2.5L 4 CYL TURBO DIESEL
EPE = ENGINE - 2.5L POWER TECH I-4 Cyl.
ERH = ENGINE - 4.0L POWER TECH I-6

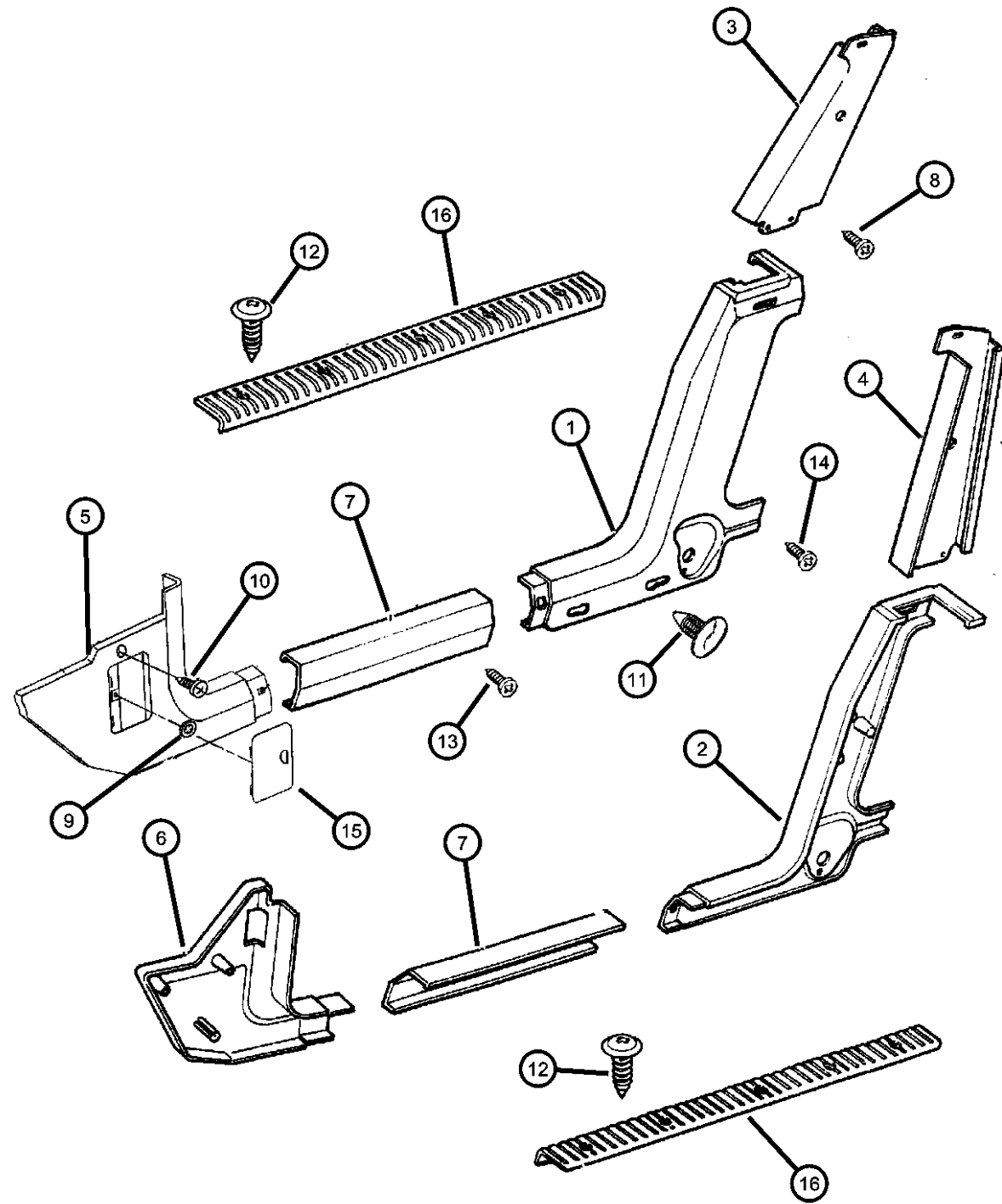
TRANSMISSION

DDD = TRANSMISSION - 5-SPEED HD MANUAL
DDQ = TRANSMISSION - 5-SPEED MANUAL
DGD = TRANSMISSION - 3-SPD. AUTOMATIC,30RH
DGK = TRANSMISSION - 4-SPD. AUTOMATIC,42RE
DGS = TRANSMISSION-4SPD. AUTO,AISIN WARNER
DGT = TRANSMISSION - 4-SPD. AUTOMATIC,46RE
DGW = TRANSMISSION - 4-SPD. AUTOMATIC,44RE
DGX = TRANSMISSION - 4-SPEED AUTOMATIC
DBB = ALL MANUAL TRANSMISSIONS
DGO = ALL AUTOMATIC TRANSMISSIONS

AR = use ase required - = Non illustrated part

2000 XJ

**Panels, Interior Trim, Front, 2 Door
Figure IXJ-210**



ITEM	PART NUMBER	QTY	LINE	SERIES	BODY	ENGINE	TRANS	TRIM	DESCRIPTION
10	06033560	1							SCREW AND WASHER, Pan Head, .19-16x1, (NOT SERVICED)
11	06504995AA	4	J, T, U		72				PIN, Push, M6.3x19.84
12	06504995AA	4							SCREW, .164-18x.500, (NOT SERVICED)
13	06034863	8	J, T, U		72				SCREW, Pan Head, .164-18x1.25
14	34201400	2	J, T, U		72				SCREW AND FINISH WASHER, Oval Head TR, 40mm Long
15	5FU34LAZAB	1						*00	[AZ]
	5FU34RK5AB	1						*00	[K5]
16	55003374	2	J, T, U		72				PLATE, Scuff

CHEROKEE (XJ)

SERIES	LINE
H = Sport	T = JEEP - 2WD
L = SE	B = JEEP - 2WD (RHD)
P = Classic	J = JEEP - 4WD
S = Limited	U = JEEP - 4WD (RHD)

BODY
74 = 4 Dr (101.4WB)
72 = 2 Dr (101.4WB)

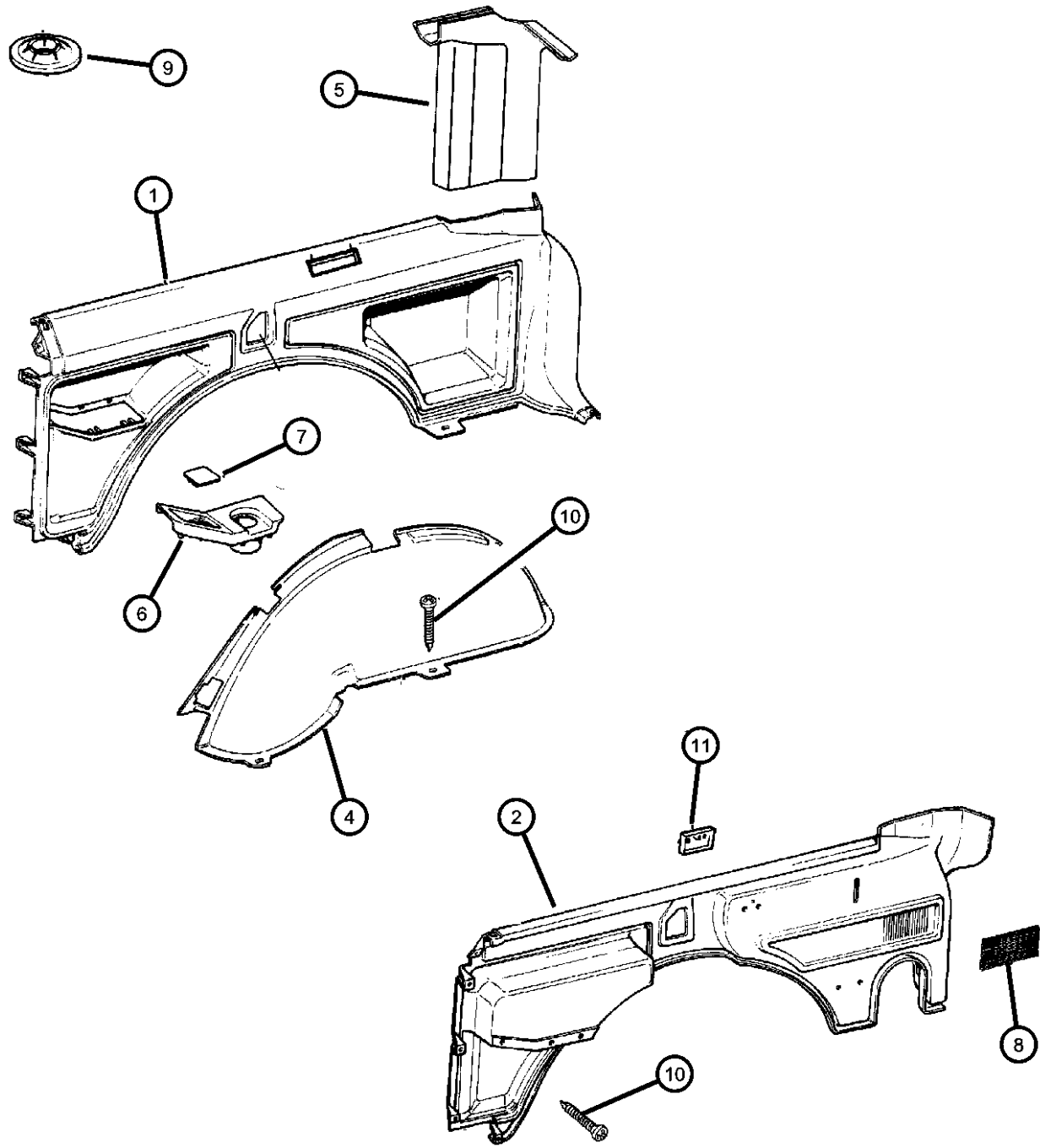
ENGINE
ENC = ENGINE - 2.5L 4 CYL TURBO DIESEL
EPE = ENGINE - 2.5L POWER TECH I-4 Cyl.
ERH = ENGINE - 4.0L POWER TECH I-6

TRANSMISSION
DDD = TRANSMISSION - 5-SPEED HD MANUAL
DDQ = TRANSMISSION - 5-SPEED MANUAL
DGD = TRANSMISSION - 3-SPD. AUTOMATIC,30RH
DGK = TRANSMISSION - 4-SPD. AUTOMATIC,42RE
DGS = TRANSMISSION-4SPD. AUTO,AISIN WARNER
DGT = TRANSMISSION - 4-SPD. AUTOMATIC,46RE
DGW = TRANSMISSION - 4-SPD. AUTOMATIC,44RE
DGX = TRANSMISSION - 4-SPEED AUTOMATIC
DBB = ALL MANUAL TRANSMISSIONS
DGO = ALL AUTOMATIC TRANSMISSIONS

AR = use ase required - = Non illustrated part

2000 XJ

Panels, Interior Trim, Rear, 2 Door
Figure IXJ-215



ITEM	PART NUMBER	QTY	LINE	SERIES	BODY	ENGINE	TRANS	TRIM	DESCRIPTION
1	5EG04LAZAE	1	J, T, U		72			*00	PANEL, Quarter Trim [AZ], Right
	5EG04RK5AE	1	J, T, U		72			*00	[K5], Right
2	5EG05LAZAF	1	J, T, U		72			*00	PANEL, Quarter Trim [AZ], Left
	5EG05RK5AF	1	J, T, U		72			*00	[K5], Left
-3	5EG05RK5AF	1							PIN, Push .281, (NOT REQUIRED),
4	5AC58LAZAB	1						*00	PANEL, Wheelhouse [AZ], Right
	5AC58RK5AB	1						*00	[K5], Right
	5AC59LAZAB	1						*00	[AZ], Left
	5AC59RK5AB	1						*00	[K5], Left
5	5ER40LAZAD	1	J, T, U		72			*00	COVER, Liftgate Pillar [AZ], Right
	5ER40RK5AD	1	J, T, U		72			*00	[K5], Right
	5ER41LAZAD	1	J, T, U		72			*00	[AZ], Left
	5ER41RK5AD	1	J, T, U		72			*00	[K5], Left
6	5ER41RK5AD	1							COVER, Armrest, Serviced in Quarter Trim Panel, (NOT SERVICED),
7	5AC64LAZ	2	J, T, U		72			*00	COVER, Ash Receiver Opening [AZ]
	5AC64RK5	2	J, T, U		72			*00	[K5]
8	55004406	1	J, T, U		72			*00	SCREEN, Louvre
9	34201481	6	J, T, U		72			*00	NUT, Push On

CHEROKEE (XJ)

SERIES LINE
H = Sport T = JEEP - 2WD
L = SE B = JEEP - 2WD (RHD)
P = Classic J = JEEP - 4WD
S = Limited U = JEEP - 4WD (RHD)

BODY
74 = 4 Dr (101.4WB)
72 = 2 Dr (101.4WB)

ENGINE
ENC = ENGINE - 2.5L 4 CYL TURBO DIESEL
EPE = ENGINE - 2.5L POWER TECH I-4 Cyl.
ERH = ENGINE - 4.0L POWER TECH I-6

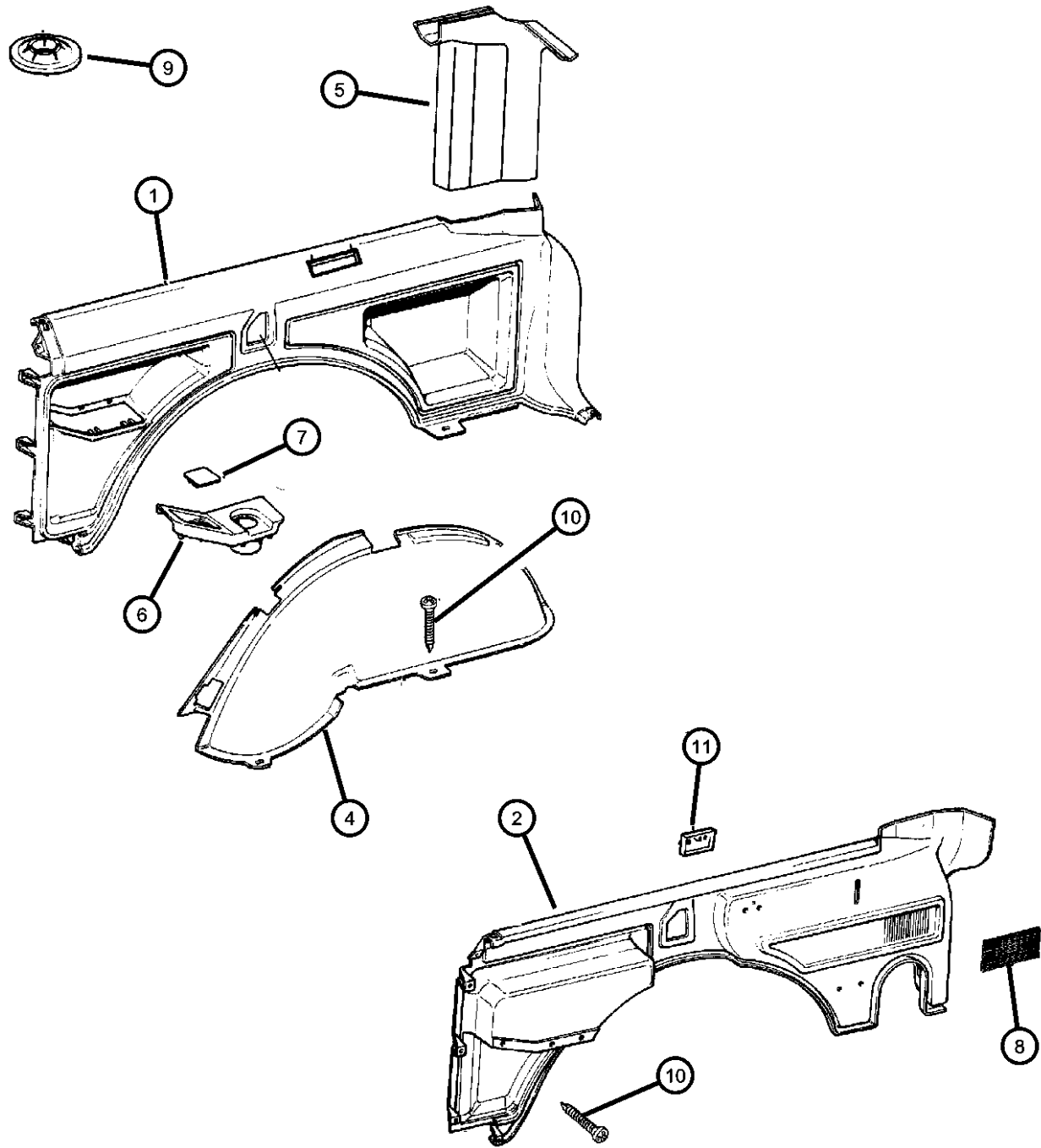
TRANSMISSION
DDD = TRANSMISSION - 5-SPEED HD MANUAL
DDQ = TRANSMISSION - 5-SPEED MANUAL
DGD = TRANSMISSION - 3-SPD. AUTOMATIC,30RH
DGK = TRANSMISSION - 4-SPD. AUTOMATIC,42RE
DGS = TRANSMISSION-4SPD. AUTO,AISIN WARNER
DGT = TRANSMISSION - 4-SPD. AUTOMATIC,46RE
DGW = TRANSMISSION - 4-SPD. AUTOMATIC,44RE
DGX = TRANSMISSION - 4-SPEED AUTOMATIC
DBB = ALL MANUAL TRANSMISSIONS
DGO = ALL AUTOMATIC TRANSMISSIONS

AR = use ase required - = Non illustrated part

2000 XJ

**Panels, Interior Trim, Rear, 2 Door
Figure IXJ-215**

ITEM	PART NUMBER	QTY	LINE	SERIES	BODY	ENGINE	TRANS	TRIM	DESCRIPTION
10	34201468	4							SCREW, Round Washer Head, M4.2x1.41x25.00
11	34201468	4							REST, Spare Tire, (NOT SERVICED)



CHEROKEE (XJ)

SERIES	LINE
H = Sport	T = JEEP - 2WD
L = SE	B = JEEP - 2WD (RHD)
P = Classic	J = JEEP - 4WD
S = Limited	U = JEEP - 4WD (RHD)

BODY
74 = 4 Dr (101.4WB)
72 = 2 Dr (101.4WB)

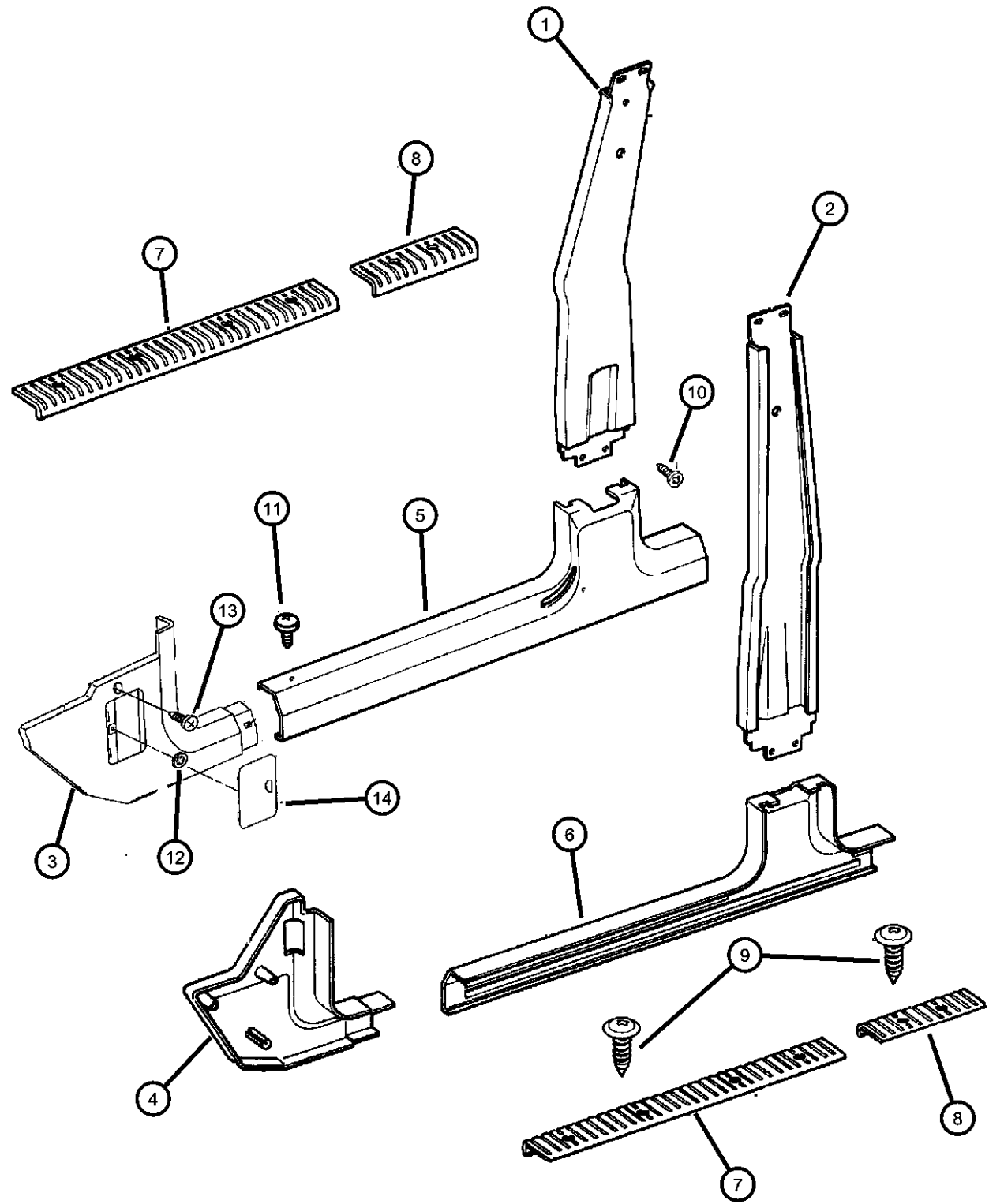
ENGINE
ENC = ENGINE - 2.5L 4 CYL TURBO DIESEL
EPE = ENGINE - 2.5L POWER TECH I-4 Cyl.
ERH = ENGINE - 4.0L POWER TECH I-6

TRANSMISSION
DDD = TRANSMISSION - 5-SPEED HD MANUAL
DDQ = TRANSMISSION - 5-SPEED MANUAL
DGD = TRANSMISSION - 3-SPD. AUTOMATIC,30RH
DGK = TRANSMISSION - 4-SPD. AUTOMATIC,42RE
DGS = TRANSMISSION-4SPD. AUTO,AISIN WARNER
DGT = TRANSMISSION - 4-SPD. AUTOMATIC,46RE
DGW = TRANSMISSION - 4-SPD. AUTOMATIC,44RE
DGX = TRANSMISSION - 4-SPEED AUTOMATIC
DBB = ALL MANUAL TRANSMISSIONS
DGO = ALL AUTOMATIC TRANSMISSIONS

AR = use ase required - = Non illustrated part

2000 XJ

Panels, Interior Trim, Front, 4 Door
Figure IXJ-220



ITEM	PART NUMBER	QTY	LINE	SERIES	BODY	ENGINE	TRANS	TRIM	DESCRIPTION
[P.A.R.] = Paint As Required									
1	5ER20RK5AE	1			74			*00	COVER, B Pillar Trim Panel, [P.A.R.], Right
2	5ER21RK5AE	1			74			*00	COVER, B Pillar Trim Panel, [P.A.R.], Left
3	5EG14LAZAE	1						*00	PANEL, Cowl Side Trim [AZ], Right
	5EG14RK5AE	1						*00	PANEL, Cowl Side Trim [K5], Right
4	5EG17LAZAD	1	J, T					*00	PANEL, Cowl Side Trim [AZ], Left
	5EG17RK5AD	1	J, T					*00	PANEL, Cowl Side Trim [K5], Left
	5ES93LAZAD	1	B, U					*00	PANEL, Cowl Side Trim [AZ], Left
	5ES93RK5AD	1	B, U					*00	PANEL, Cowl Side Trim [K5], Left
5	5EW80LAZAE	1			74			*00	COVER, B Pillar Trim Panel [AZ], Right
	5EW80RK5AE	1			74			*00	COVER, B Pillar Trim Panel [K5], Right
6	5EW81LAZAE	1			74			*00	COVER, B Pillar Trim Panel [AZ], Left
	5EW81RK5AE	1			74			*00	COVER, B Pillar Trim Panel [K5], Left
7	55003370	2			74				PLATE, ScuffFront
8	55003372	2			74				PLATE, ScuffRear
9	55003372	2							SCREW, .164-18x.500, (NOT SERVICED)
10	06504995AA	2			74				PIN, Push, M6.3x19.84
11	34201400	10			74				SCREW AND FINISH WASHER, Oval Head TR, 40mm Long
12	06033560	1							NUT AND WASHER, Hex Nut-Coned Washer, .25-20

CHEROKEE (XJ)

SERIES	LINE
H = Sport	T = JEEP - 2WD
L = SE	B = JEEP - 2WD (RHD)
P = Classic	J = JEEP - 4WD
S = Limited	U = JEEP - 4WD (RHD)

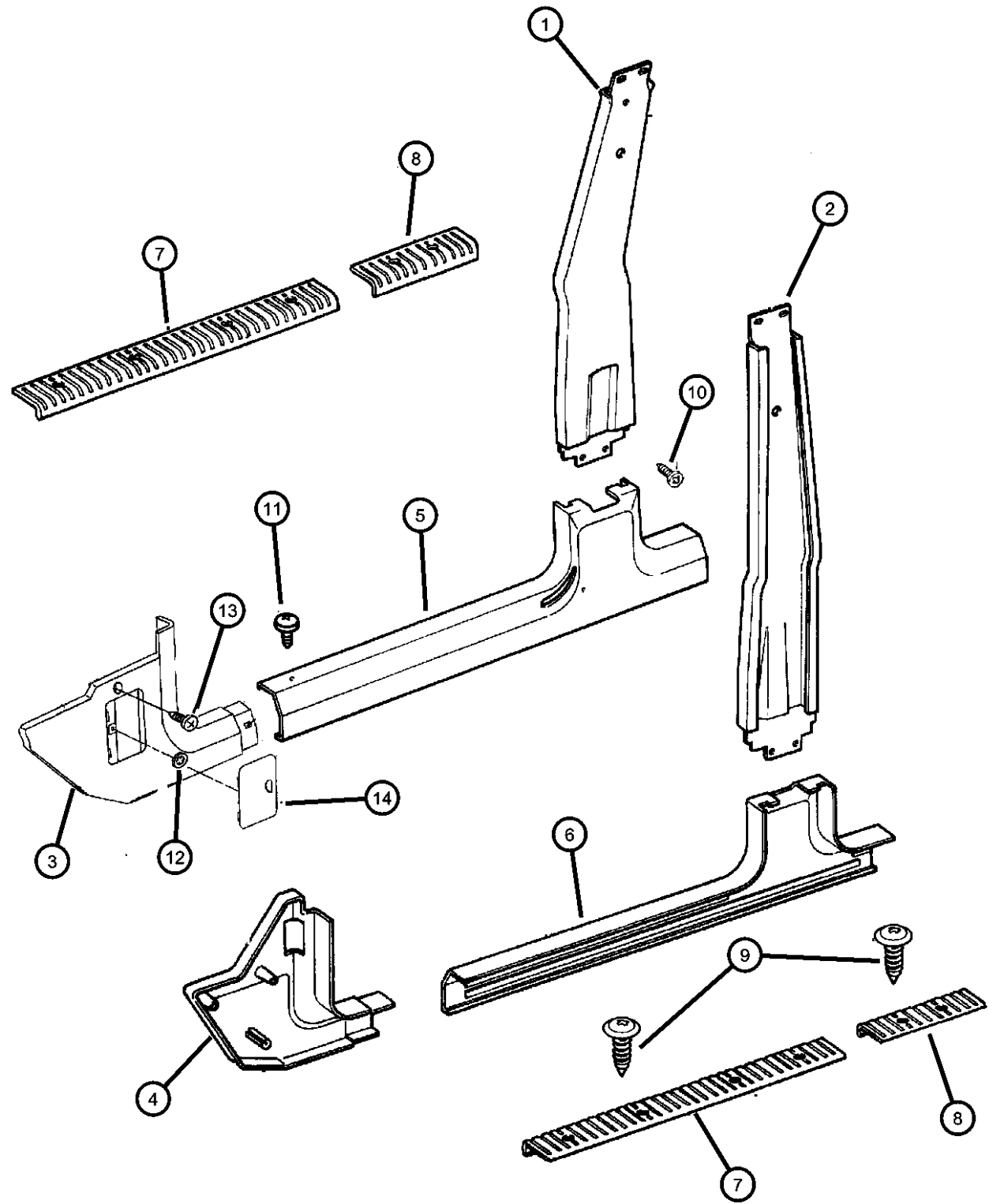
BODY
74 = 4 Dr (101.4WB)
72 = 2 Dr (101.4WB)

ENGINE
ENC = ENGINE - 2.5L 4 CYL TURBO DIESEL
EPE = ENGINE - 2.5L POWER TECH I-4 Cyl.
ERH = ENGINE - 4.0L POWER TECH I-6

TRANSMISSION
DDD = TRANSMISSION - 5-SPEED HD MANUAL
DDQ = TRANSMISSION - 5-SPEED MANUAL
DGD = TRANSMISSION - 3-SPD. AUTOMATIC,30RH
DGK = TRANSMISSION - 4-SPD. AUTOMATIC,42RE
DGS = TRANSMISSION-4SPD. AUTO,AISIN WARNER
DGT = TRANSMISSION - 4-SPD. AUTOMATIC,46RE
DGW = TRANSMISSION - 4-SPD. AUTOMATIC,44RE
DGX = TRANSMISSION - 4-SPEED AUTOMATIC
DBB = ALL MANUAL TRANSMISSIONS
DGO = ALL AUTOMATIC TRANSMISSIONS

AR = use ase required - = Non illustrated part

**Panels, Interior Trim, Front, 4 Door
Figure IXJ-220**



ITEM	PART NUMBER	QTY	LINE	SERIES	BODY	ENGINE	TRANS	TRIM	DESCRIPTION
13	34201468	2							SCREW, Round Washer Head, M4.2x1.41x25.00
14	5FU34LAZAB	1						*00	[AZ] DOOR, Fuse Access
	5FU34RK5AB	1						*00	[K5]

CHEROKEE (XJ)

SERIES	LINE
H = Sport	T = JEEP - 2WD
L = SE	B = JEEP - 2WD (RHD)
P = Classic	J = JEEP - 4WD
S = Limited	U = JEEP - 4WD (RHD)

BODY
74 = 4 Dr (101.4WB)
72 = 2 Dr (101.4WB)

ENGINE
ENC = ENGINE - 2.5L 4 CYL TURBO DIESEL
EPE = ENGINE - 2.5L POWER TECH I-4 Cyl.
ERH = ENGINE - 4.0L POWER TECH I-6

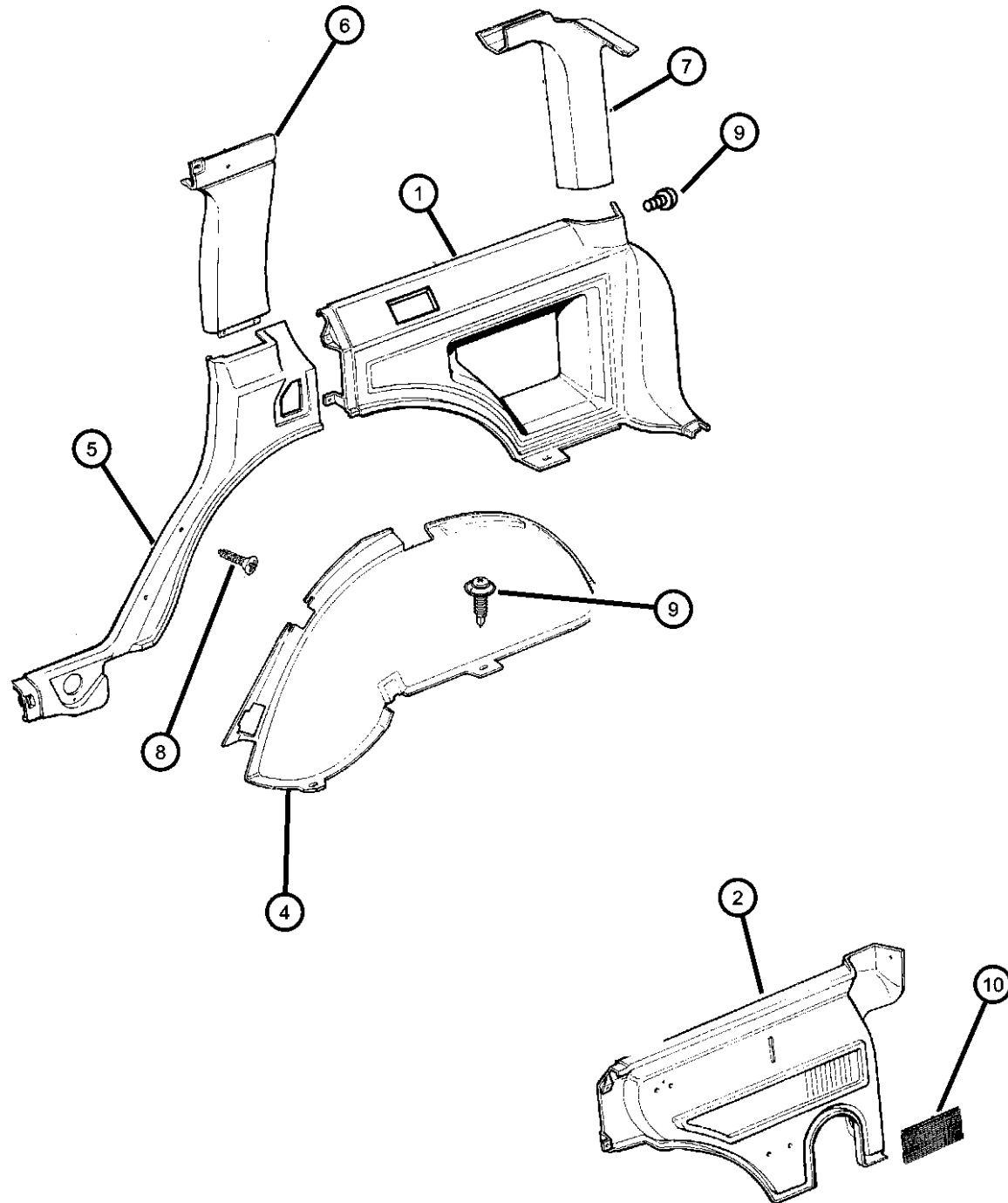
TRANSMISSION
DDD = TRANSMISSION - 5-SPEED HD MANUAL
DDQ = TRANSMISSION - 5-SPEED MANUAL
DGD = TRANSMISSION - 3-SPD. AUTOMATIC,30RH
DGK = TRANSMISSION - 4-SPD. AUTOMATIC,42RE
DGS = TRANSMISSION-4SPD. AUTO,AISIN WARNER
DGT = TRANSMISSION - 4-SPD. AUTOMATIC,46RE
DGW = TRANSMISSION - 4-SPD. AUTOMATIC,44RE
DGX = TRANSMISSION - 4-SPEED AUTOMATIC
DBB = ALL MANUAL TRANSMISSIONS
DGO = ALL AUTOMATIC TRANSMISSIONS

AR = use ase required - = Non illustrated part

**Panels, Interior Trim, Rear, 4 Door
Figure IXJ-225**

ITEM	PART NUMBER	QTY	LINE	SERIES	BODY	ENGINE	TRANS	TRIM	DESCRIPTION
------	-------------	-----	------	--------	------	--------	-------	------	-------------

[P.A.R.] = Paint As Required



1	5EG02LAZAE	1			74			*00	PANEL, Quarter Trim [AZ], Right
	5EG02RK5AE	1			74			*00	[K5], Right
2	5EG03LAZAG	1			74			*00	PANEL, Quarter Trim [AZ], Left
	5EG03RK5AG	1			74			*00	[K5], Left
-3	5EG03RK5AG	1							PIN, Push .281, (NOT REQUIRED),
4	5AC58LAZAB	1						*00	PANEL, Wheelhouse [AZ], Right
	5AC58RK5AB	1						*00	[K5], Right
	5AC59LAZAB	1						*00	[AZ], Left
	5AC59RK5AB	1						*00	[K5], Left
5	5GM58LAZAC	1			74			*00	EXTENSION, C Pillar [AZ], Right
	5GM58RK5AC	1			74			*00	[K5], Right
	5GM59LAZAC	1			74			*00	[AZ], Left
	5GM59RK5AC	1			74			*00	[K5], Left
6	5EW86LAZAC	1			74			*00	COVER, C Pillar [P.A.R.], Right
	5EW87LAZAC	1			74			*00	[P.A.R.], Left
7	5FX18LAZAC	1			74			*00	COVER, Liftgate [AZ], Right
	5FX18RK5AC	1			74			*00	[K5], Right
	5FX19LAZAD	1			74			*00	[AZ], Left

CHEROKEE (XJ)

SERIES	LINE
H = Sport	T = JEEP - 2WD
L = SE	B = JEEP - 2WD (RHD)
P = Classic	J = JEEP - 4WD
S = Limited	U = JEEP - 4WD (RHD)

BODY
74 = 4 Dr (101.4WB)
72 = 2 Dr (101.4WB)

ENGINE
ENC = ENGINE - 2.5L 4 CYL TURBO DIESEL
EPE = ENGINE - 2.5L POWER TECH I-4 Cyl.
ERH = ENGINE - 4.0L POWER TECH I-6

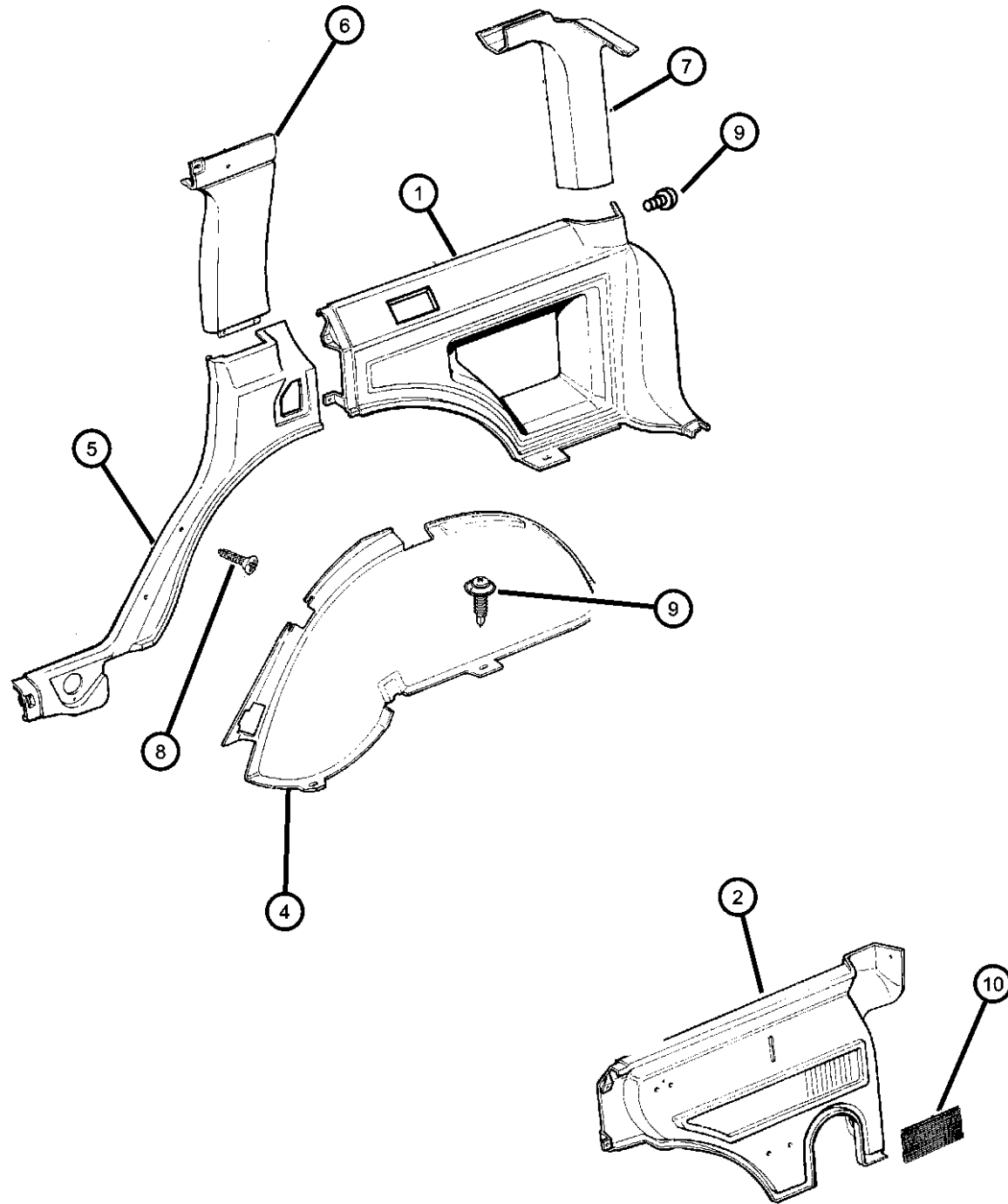
TRANSMISSION
DDD = TRANSMISSION - 5-SPEED HD MANUAL
DDQ = TRANSMISSION - 5-SPEED MANUAL
DGD = TRANSMISSION - 3-SPD. AUTOMATIC,30RH
DGK = TRANSMISSION - 4-SPD. AUTOMATIC,42RE
DGS = TRANSMISSION-4SPD. AUTO,AISIN WARNER
DGT = TRANSMISSION - 4-SPD. AUTOMATIC,46RE
DGW = TRANSMISSION - 4-SPD. AUTOMATIC,44RE
DGX = TRANSMISSION - 4-SPEED AUTOMATIC
DBB = ALL MANUAL TRANSMISSIONS
DGO = ALL AUTOMATIC TRANSMISSIONS

AR = use ase required - = Non illustrated part

2000 XJ

**Panels, Interior Trim, Rear, 4 Door
Figure IXJ-225**

ITEM	PART NUMBER	QTY	LINE	SERIES	BODY	ENGINE	TRANS	TRIM	DESCRIPTION
	5FX19RK5AD	1			74			*00	[K5], Left
8	06504995AA	4			74				PIN, Push, M6.3x19.84
9	34201468	4							SCREW, Round Washer Head, M4.2x1.41x25.00
10	55004406	1			74			*00	SCREEN, Louvre



CHEROKEE (XJ)

SERIES	LINE
H = Sport	T = JEEP - 2WD
L = SE	B = JEEP - 2WD (RHD)
P = Classic	J = JEEP - 4WD
S = Limited	U = JEEP - 4WD (RHD)

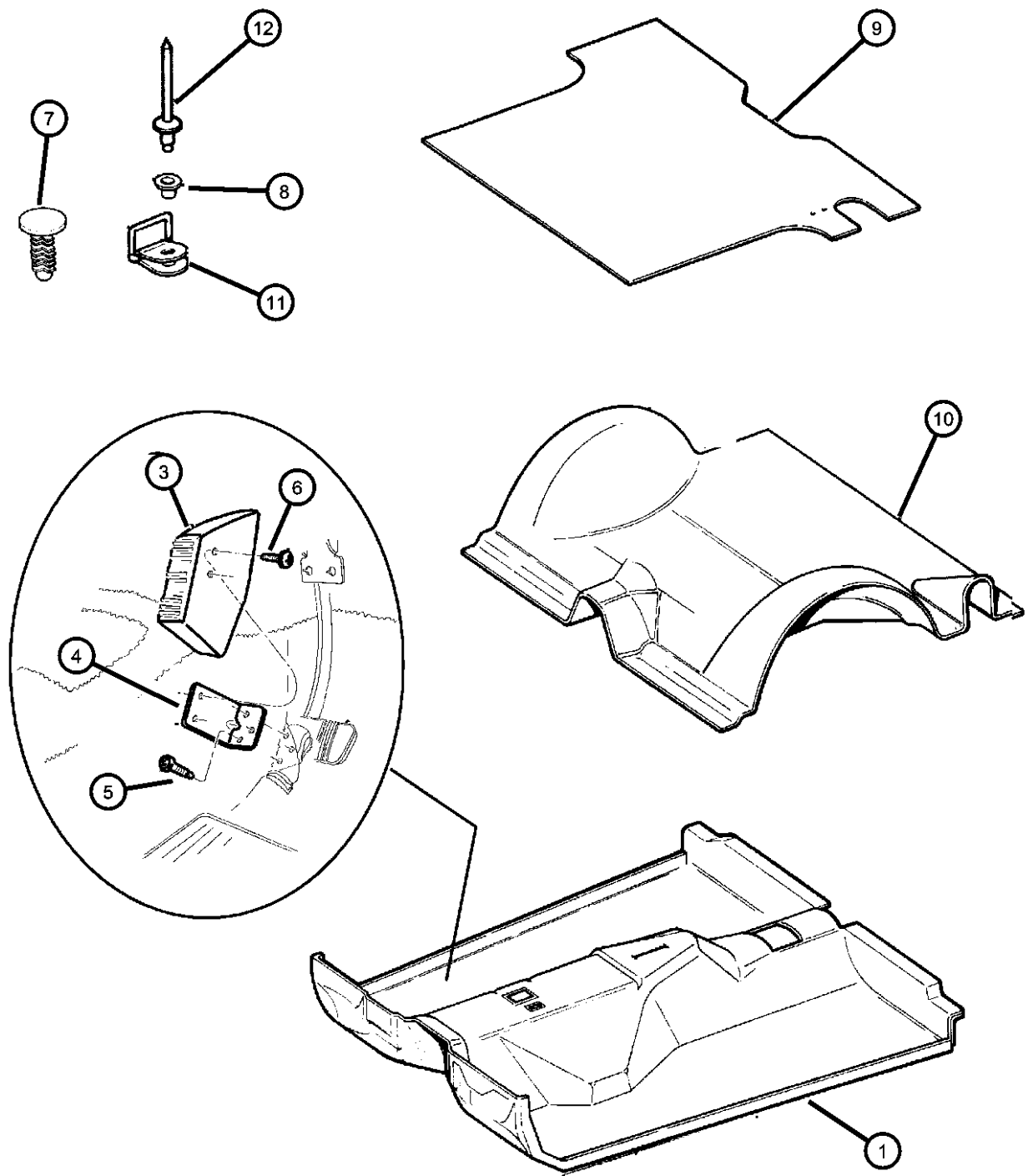
BODY
74 = 4 Dr (101.4WB)
72 = 2 Dr (101.4WB)

ENGINE
ENC = ENGINE - 2.5L 4 CYL TURBO DIESEL
EPE = ENGINE - 2.5L POWER TECH I-4 Cyl.
ERH = ENGINE - 4.0L POWER TECH I-6

TRANSMISSION
DDD = TRANSMISSION - 5-SPEED HD MANUAL
DDQ = TRANSMISSION - 5-SPEED MANUAL
DGD = TRANSMISSION - 3-SPD. AUTOMATIC,30RH
DGK = TRANSMISSION - 4-SPD. AUTOMATIC,42RE
DGS = TRANSMISSION-4SPD. AUTO,AISIN WARNER
DGT = TRANSMISSION - 4-SPD. AUTOMATIC,46RE
DGW = TRANSMISSION - 4-SPD. AUTOMATIC,44RE
DGX = TRANSMISSION - 4-SPEED AUTOMATIC
DBB = ALL MANUAL TRANSMISSIONS
DGO = ALL AUTOMATIC TRANSMISSIONS

AR = use ase required - = Non illustrated part

**Carpets and Mats
Figure IXJ-310**



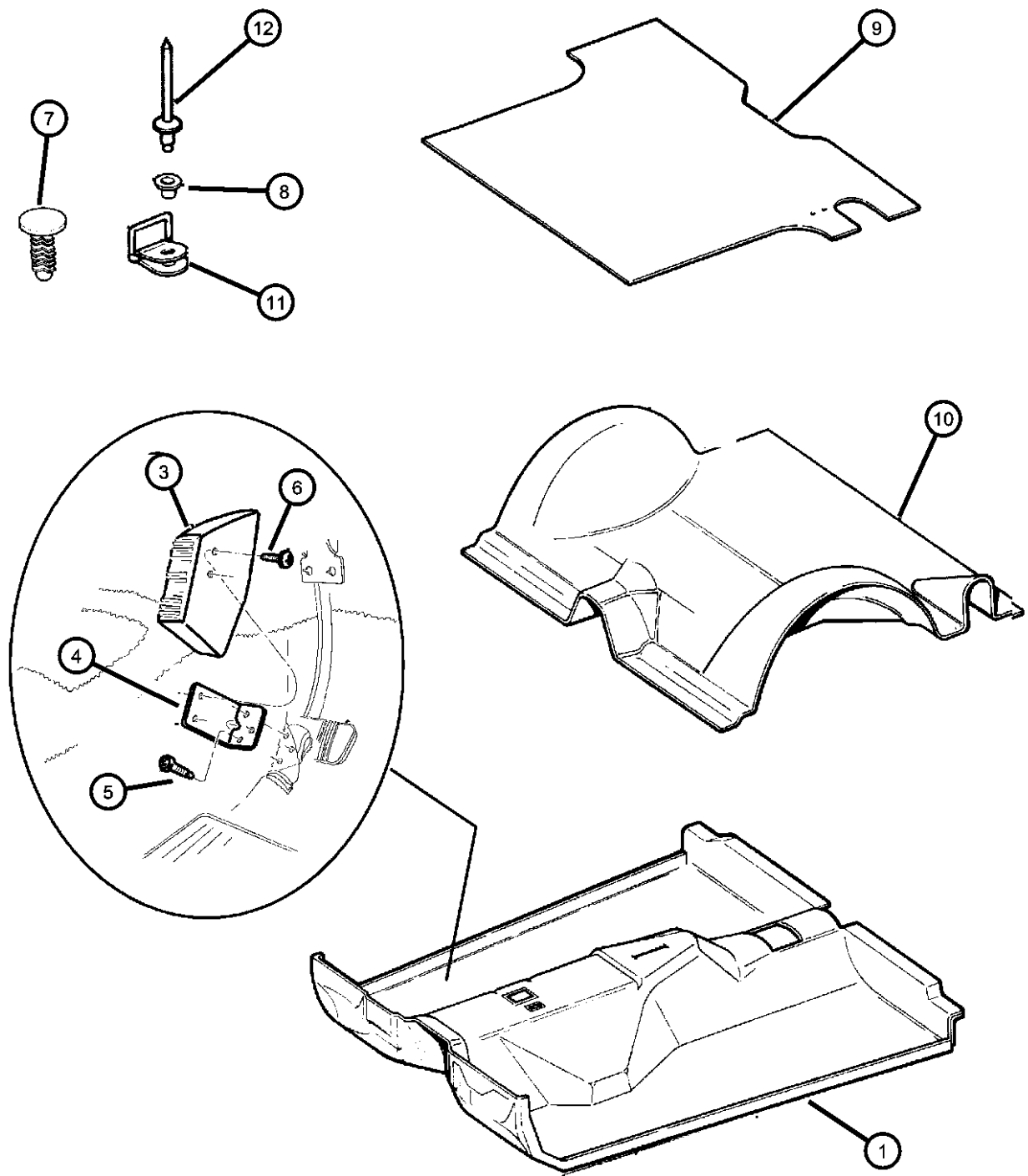
ITEM	PART NUMBER	QTY	LINE	SERIES	BODY	ENGINE	TRANS	TRIM	DESCRIPTION
1	5EY16LAZAR	1	J, T					*O0	CARPET, Floor [AZ], Gas Only
	5EY16VK9AR	1	J, T					*O0	[K5], Gas Only
	5FM05LAZAO	1	B, U					*O0	[AZ]
	5FM05VK9AO	1	B, U					*O0	[K5]
	5FY03LAZAQ	1	J, T					*O0	[AZ], Diesel
	5FY03VK9AQ	1	J, T					*O0	[K5], Diesel
-2									MAT, Full Floor, Rubber
	5FM11DX9AJ	1	B, U					*O0	
	5FN10DX9AM	1	J, T					*O0	
3	55115066	1	B, U						PAD, Foot Rest
4	55115067	1	B, U						BRACKET, Foot Rest
5	55115067	1							SCREW, [.190-16x.625], (NOT SERVICED)
6	55115067	1							SCREW, [.190-16x1.00], (NOT SERVICED)
7	55115067	1							PIN, Push .281, (NOT REQUIRED)
8	34202365	4							WASHER
9	55008727	1							MAT, Floor
10									CARPET, Cargo Floor
	5FX14LAZAH	1						*O0	[AZ]
	5FX14VK9AH	1						*O0	[K5]
11	55215609AB	4							LOOP, Cargo Tie Down
12	06035122	4							RIVET, .187x.70 Black
-13	34202672	2							RIVET, .197 Grip-.187-.375, Carpet Attach
-14									MAT KIT, Floor

CHEROKEE (XJ)

SERIES	LINE	BODY	ENGINE	TRANSMISSION
H = Sport	T = JEEP - 2WD	74 = 4 Dr (101.4WB)	ENC = ENGINE - 2.5L 4 CYL TURBO DIESEL	DDD = TRANSMISSION - 5-SPEED HD MANUAL
L = SE	B = JEEP - 2WD (RHD)	72 = 2 Dr (101.4WB)	EPE = ENGINE - 2.5L POWER TECH I-4 Cyl.	DDQ = TRANSMISSION - 5-SPEED MANUAL
P = Classic	J = JEEP - 4WD		ERH = ENGINE - 4.0L POWER TECH I-6	DGD = TRANSMISSION - 3-SPD. AUTOMATIC,30RH
S = Limited	U = JEEP - 4WD (RHD)			DGK = TRANSMISSION - 4-SPD. AUTOMATIC,42RE
				DGS = TRANSMISSION-4SPD. AUTO,AISIN WARNER
				DGT = TRANSMISSION - 4-SPD. AUTOMATIC,46RE
				DGW = TRANSMISSION - 4-SPD. AUTOMATIC,44RE
				DGX = TRANSMISSION - 4-SPEED AUTOMATIC
				DBB = ALL MANUAL TRANSMISSIONS
				DGO = ALL AUTOMATIC TRANSMISSIONS

AR = use ase required - = Non illustrated part

Carpets and Mats
Figure IXJ-310



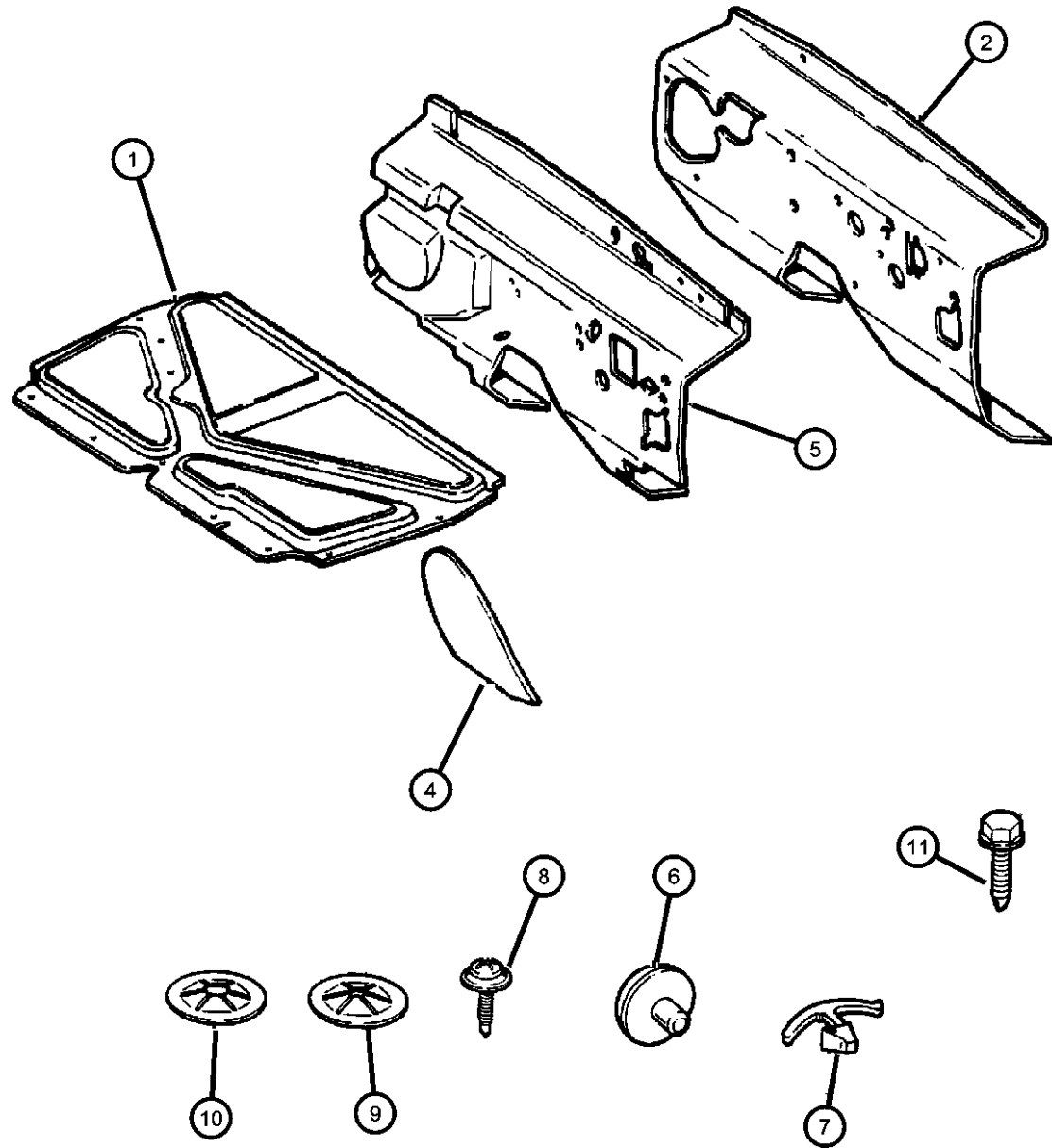
ITEM	PART NUMBER	QTY	LINE	SERIES	BODY	ENGINE	TRANS	TRIM	DESCRIPTION
	5FJ35LAZAB	1	B, U					*00	[AZ]
	5FJ35VK9AB	1	B, U					*00	[K5]
-15									CLIP, Carpet
	55196834AA	1	J, T					*00	
		1	B, U					*00	

CHEROKEE (XJ)

SERIES	LINE	BODY	ENGINE	TRANSMISSION
H = Sport	T = JEEP - 2WD	74 = 4 Dr (101.4WB)	ENC = ENGINE - 2.5L 4 CYL TURBO DIESEL	DDD = TRANSMISSION - 5-SPEED HD MANUAL
L = SE	B = JEEP - 2WD (RHD)	72 = 2 Dr (101.4WB)	EPE = ENGINE - 2.5L POWER TECH I-4 Cyl.	DDQ = TRANSMISSION - 5-SPEED MANUAL
P = Classic	J = JEEP - 4WD		ERH = ENGINE - 4.0L POWER TECH I-6	DGD = TRANSMISSION - 3-SPD. AUTOMATIC,30RH
S = Limited	U = JEEP - 4WD (RHD)			DGK = TRANSMISSION - 4-SPD. AUTOMATIC,42RE
				DGS = TRANSMISSION-4SPD. AUTO,AISIN WARNER
				DGT = TRANSMISSION - 4-SPD. AUTOMATIC,46RE
				DGW = TRANSMISSION - 4-SPD. AUTOMATIC,44RE
				DGX = TRANSMISSION - 4-SPEED AUTOMATIC
				DBB = ALL MANUAL TRANSMISSIONS
				DGO = ALL AUTOMATIC TRANSMISSIONS

AR = use ase required - = Non illustrated part

**Insulation
Figure IXJ-320**



ITEM	PART NUMBER	QTY	LINE	SERIES	BODY	ENGINE	TRANS	TRIM	DESCRIPTION
1	55217068AE	1							INSULATION, Hood
2	55217409AL	1	J, T						INSULATION, Dash Panel, Inner
3	55217409AL	1							WASHER, Flat, (NOT REQUIRED)
4	55004230	1							INSULATION, Toe Board
5	55004230	1							INSULATION, Dash Panel, Outer, (NOT SERVICED)
6									NUT, Push On
	06503274	6	J, T						Insulation to Dash
		5	B, U						Insulation to Dash
7	06003351	13							RETAINER, Hood Insulation, .415x.690
8	06003351	13							SCREW, Flat Head, .312-18x1.00, (NOT REQUIRED)
9	J4005955	4	J, T						NUT, Hood Insulation , Diesel Engine
10	J4000235	2							NUT, Push, .375, Insulation to Accelerator Stud
11	06035156	2							SCREW, Flat Head, .312-18x1.00, Attach Insulation to Dash Panel

CHEROKEE (XJ)

SERIES	LINE
H = Sport	T = JEEP - 2WD
L = SE	B = JEEP - 2WD (RHD)
P = Classic	J = JEEP - 4WD
S = Limited	U = JEEP - 4WD (RHD)

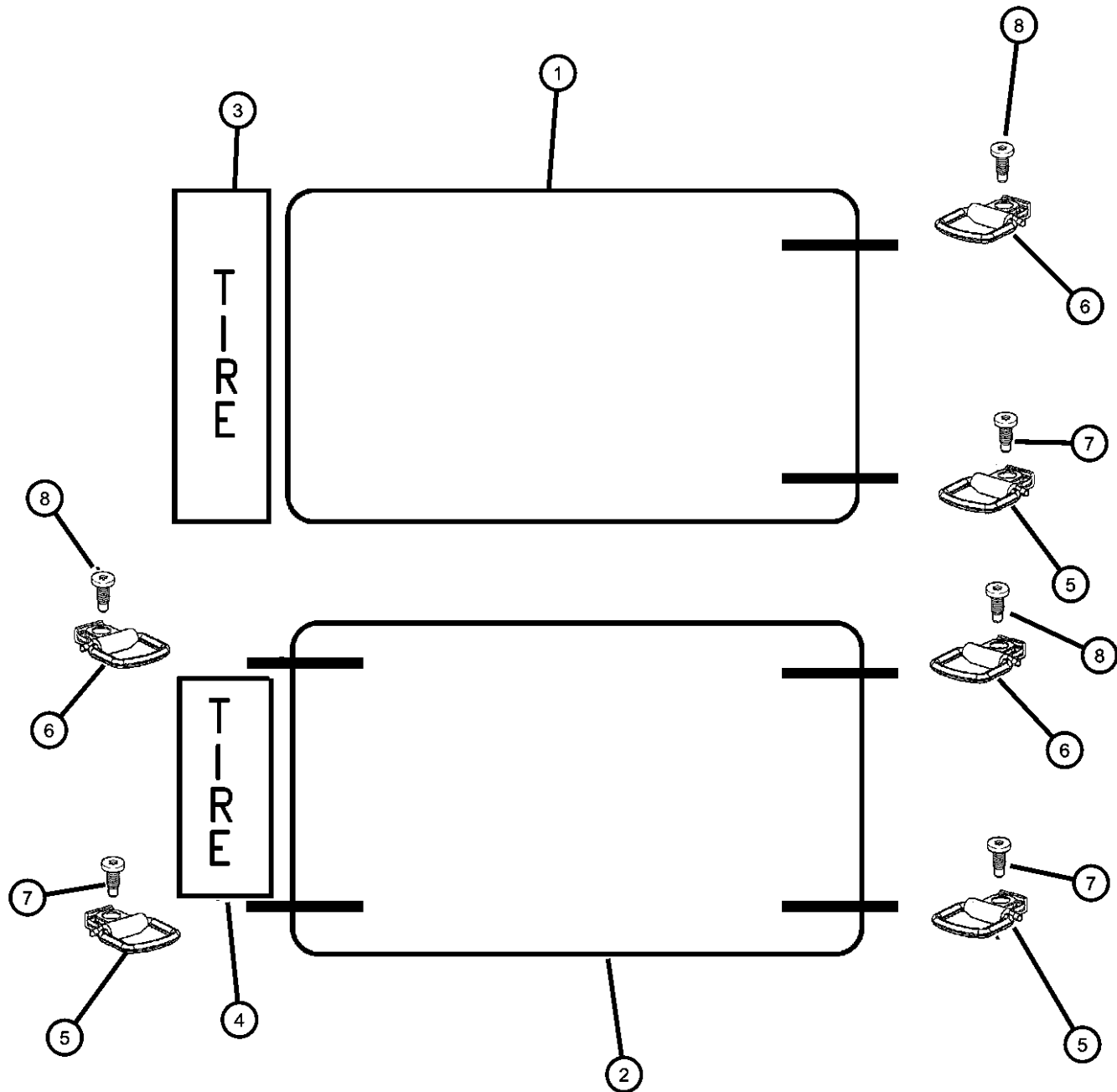
BODY
74 = 4 Dr (101.4WB)
72 = 2 Dr (101.4WB)

ENGINE
ENC = ENGINE - 2.5L 4 CYL TURBO DIESEL
EPE = ENGINE - 2.5L POWER TECH I-4 Cyl.
ERH = ENGINE - 4.0L POWER TECH I-6

TRANSMISSION
DDD = TRANSMISSION - 5-SPEED HD MANUAL
DDQ = TRANSMISSION - 5-SPEED MANUAL
DGD = TRANSMISSION - 3-SPD. AUTOMATIC,30RH
DGK = TRANSMISSION - 4-SPD. AUTOMATIC,42RE
DGS = TRANSMISSION-4SPD. AUTO,AISIN WARNER
DGT = TRANSMISSION - 4-SPD. AUTOMATIC,46RE
DGW = TRANSMISSION - 4-SPD. AUTOMATIC,44RE
DGX = TRANSMISSION - 4-SPEED AUTOMATIC
DBB = ALL MANUAL TRANSMISSIONS
DGO = ALL AUTOMATIC TRANSMISSIONS

AR = use ase required - = Non illustrated part

Cover, Cargo
Figure IXJ-330



ITEM	PART NUMBER	QTY	LINE	SERIES	BODY	ENGINE	TRANS	TRIM	DESCRIPTION
1	5FX86LAZAB	1						*O0	COVER, Cargo Compartment [AZ], With Full Spare
	5FX86RK5AB	1						*O0	[K5], With Full Spare
	5FX87LAZAB	1	J, U					*O0	[AZ], With Compact Spare T155/90D16-Full
	5FX87RK5AB	1	J, U					*O0	[K5], With Compact Spare T155/90D16-Full
2	5FX84LAZAA	1	J, T					*O0	COVER, Cargo Compartment [AZ], With Mini Spare
	5FX84RK5AA	1	J, T					*O0	[K5], With Mini Spare
3	5FM76LAZAD	1						*O0	COVER, Spare Tire [AZ], With Full Spare, Without Cargo Cover
	5FM76VK9AD	1						*O0	[K5], With Full Spare, Without Cargo Cover
	5FX761AZAD	1	J, U					*O0	[AZ], With Compact Spare T155/90D16-Full
	5FX761K9AD	1	J, U					*O0	[K5], With Compact Spare T155/90D16-Full
	5FX791AZAE	1						*O0	[AZ], With Full Spare, With Cargo Cover
	5FX791K9AE	1						*O0	[K5], With Full Spare, With Cargo Cover
4	5FM74LAZAC	1	J, T					*O0	COVER, Inside Spare Tire [AZ], With Mini Spare
	5FM74VK9AC	1	J, T					*O0	[K5], With Mini Spare
5	55352692AA	2							LOOP, Cargo Tie Down
6	55352697AA	2							LOOP, Cargo Tie Down

CHEROKEE (XJ)

SERIES	LINE	BODY	ENGINE	TRANSMISSION
H = Sport	T = JEEP - 2WD	74 = 4 Dr (101.4WB)	ENC = ENGINE - 2.5L 4 CYL TURBO DIESEL	DDD = TRANSMISSION - 5-SPEED HD MANUAL
L = SE	B = JEEP - 2WD (RHD)	72 = 2 Dr (101.4WB)	EPE = ENGINE - 2.5L POWER TECH I-4 Cyl.	DDQ = TRANSMISSION - 5-SPEED MANUAL
P = Classic	J = JEEP - 4WD		ERH = ENGINE - 4.0L POWER TECH I-6	DGD = TRANSMISSION - 3-SPD. AUTOMATIC,30RH
S = Limited	U = JEEP - 4WD (RHD)			DGK = TRANSMISSION - 4-SPD. AUTOMATIC,42RE
				DGS = TRANSMISSION-4SPD. AUTO,AISIN WARNER
				DGT = TRANSMISSION - 4-SPD. AUTOMATIC,46RE
				DGW = TRANSMISSION - 4-SPD. AUTOMATIC,44RE
				DGX = TRANSMISSION - 4-SPEED AUTOMATIC
				DBB = ALL MANUAL TRANSMISSIONS
				DGO = ALL AUTOMATIC TRANSMISSIONS

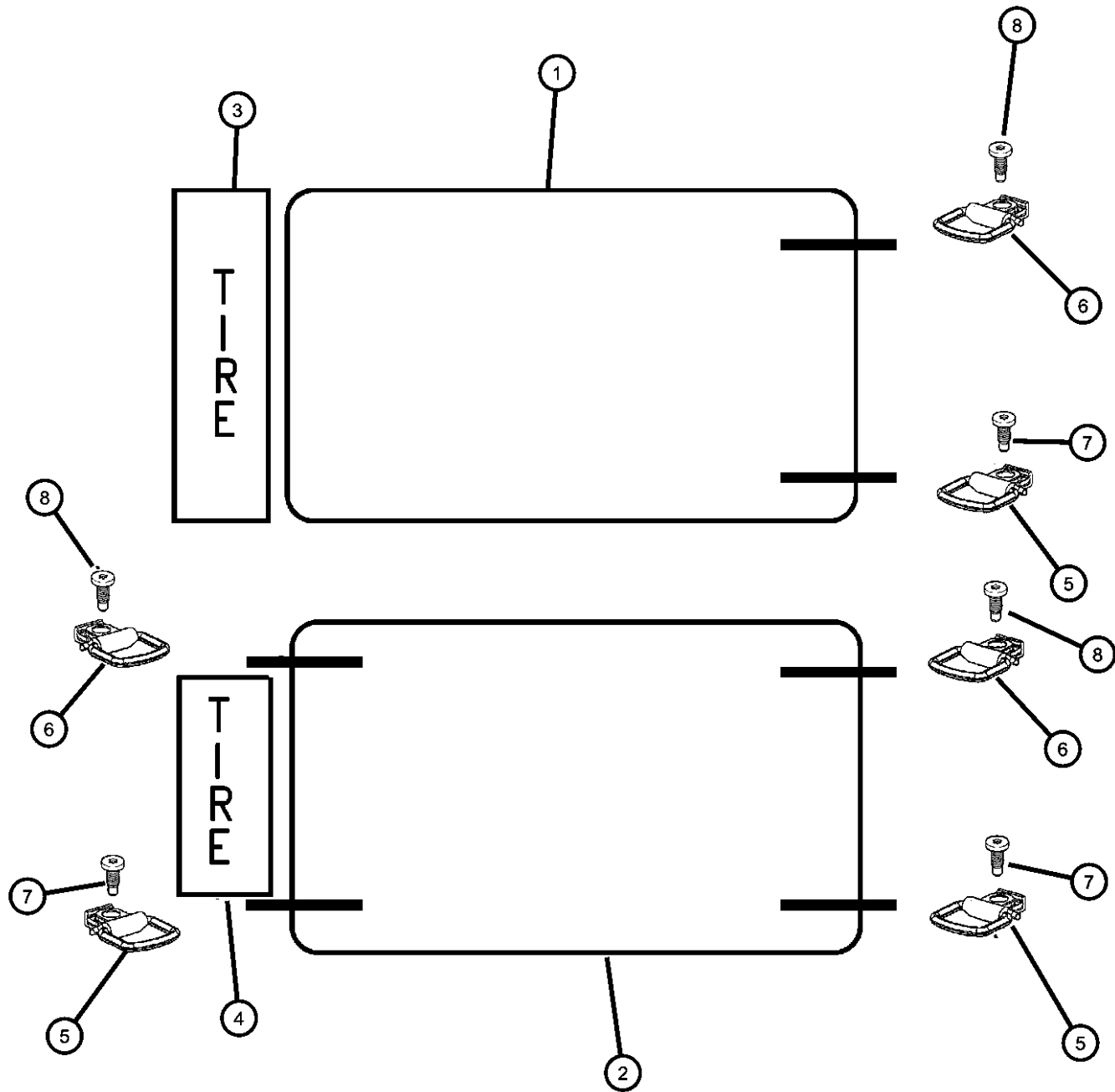
AR = use ase required - = Non illustrated part

**Cover, Cargo
Figure IXJ-330**

ITEM	PART NUMBER	QTY	LINE	SERIES	BODY	ENGINE	TRANS	TRIM	DESCRIPTION
------	-------------	-----	------	--------	------	--------	-------	------	-------------

7	34201400	2							
8	34201400	2							

SCREW AND FINISH WASHER,
Oval Head TR, 40mm Long
SCREW DRILL, Oval Truss Head,
.164x18x1.378, (NOT SERVICED)



CHEROKEE (XJ)

SERIES	LINE
H = Sport	T = JEEP - 2WD
L = SE	B = JEEP - 2WD (RHD)
P = Classic	J = JEEP - 4WD
S = Limited	U = JEEP - 4WD (RHD)

BODY
74 = 4 Dr (101.4WB)
72 = 2 Dr (101.4WB)

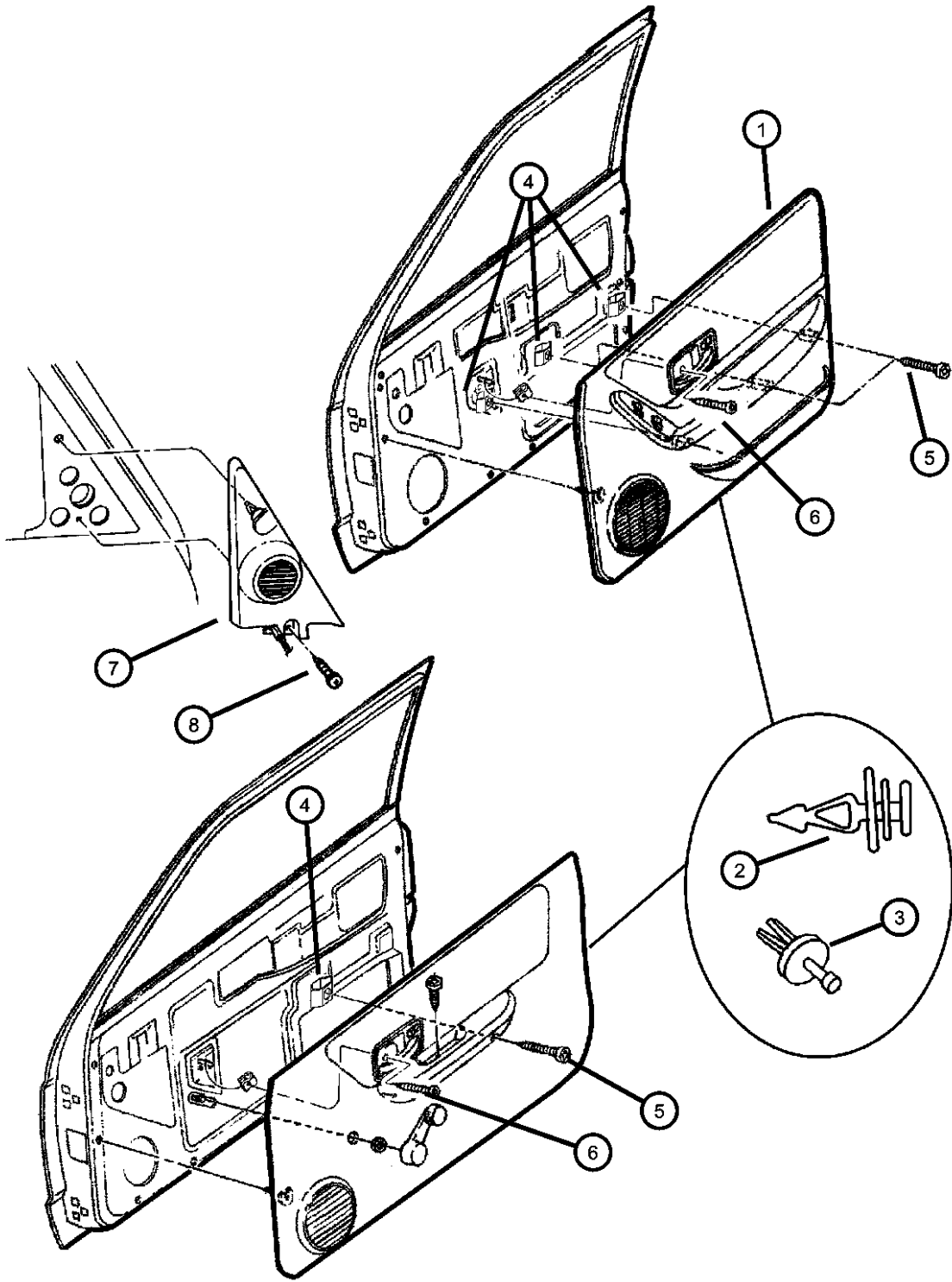
ENGINE
ENC = ENGINE - 2.5L 4 CYL TURBO DIESEL
EPE = ENGINE - 2.5L POWER TECH I-4 Cyl.
ERH = ENGINE - 4.0L POWER TECH I-6

TRANSMISSION
DDD = TRANSMISSION - 5-SPEED HD MANUAL
DDQ = TRANSMISSION - 5-SPEED MANUAL
DGD = TRANSMISSION - 3-SPD. AUTOMATIC,30RH
DGK = TRANSMISSION - 4-SPD. AUTOMATIC,42RE
DGS = TRANSMISSION-4SPD. AUTO,AISIN WARNER
DGT = TRANSMISSION - 4-SPD. AUTOMATIC,46RE
DGW = TRANSMISSION - 4-SPD. AUTOMATIC,44RE
DGX = TRANSMISSION - 4-SPEED AUTOMATIC
DBB = ALL MANUAL TRANSMISSIONS
DGO = ALL AUTOMATIC TRANSMISSIONS

AR = use ase required - = Non illustrated part

2000 XJ

**Interior Trim Parts, 2 Door
Figure IXJ-410**



ITEM	PART NUMBER	QTY	LINE	SERIES	BODY	ENGINE	TRANS	TRIM	DESCRIPTION
1									PANEL, Front Door Trim
	0SR121AZAA	1	J, T		72			*00	[AZ], With Power Windows, Locks, Right
	0SR121K5AA	1	J, T		72			*00	[K5], With Power Windows, Locks, Right
	0SR131AZAA	1	J, T		72			*00	[AZ], With Power Windows, Locks Mirrors, Left
	0SR131K5AA	1	J, T		72			*00	[K5], With Power Windows, Locks Mirrors, Left
	5EH321AZAE	1	J, T		72			*00	[AZ], Right
	5EH321K5AE	1	J, T		72			*00	[K5], Right
	5EH331AZAE	1	J, T		72			*00	[AZ], Left
	5EH331K5AE	1	J, T		72			*00	[K5], Left
	5EH351AZAF	1	J, T		72			*00	[AZ], With Power Mirrors, Left
	5EH351K5AF	1	J, T		72			*00	[K5], With Power Mirrors, Left
2	06504014	AR							FASTENER, Door Trim Panel, White
3	06505009AC	AR							FASTENER, Door Trim Panel, Black
4	06029509	2							U-NUT, .250-14
5	11500068	6			74				SCREW, Pan Head Tapping, .250x14x1.772
6	11500068	6							SCREW, M4x0.7-16, (NOT SERVICED)
7									COVER, Mirror Opening
	5FM02LAZAB	1						*00	Without Tweeter, Right
	5FM03LAZAB	1						*00	Without Tweeter, Left
	5FV14LAZAB	1						*00	With Tweeter, Right
	5FV15LAZAB	1						*00	With Tweeter, Left
8	5FV15LAZAB	1							SCREW, .164-18x.625, (NOT SERVICED),

CHEROKEE (XJ)

SERIES	LINE
H = Sport	T = JEEP - 2WD
L = SE	B = JEEP - 2WD (RHD)
P = Classic	J = JEEP - 4WD
S = Limited	U = JEEP - 4WD (RHD)

BODY
74 = 4 Dr (101.4WB)
72 = 2 Dr (101.4WB)

ENGINE
ENC = ENGINE - 2.5L 4 CYL TURBO DIESEL
EPE = ENGINE - 2.5L POWER TECH I-4 Cyl.
ERH = ENGINE - 4.0L POWER TECH I-6

TRANSMISSION
DDD = TRANSMISSION - 5-SPEED HD MANUAL
DDQ = TRANSMISSION - 5-SPEED MANUAL
DGD = TRANSMISSION - 3-SPD. AUTOMATIC,30RH
DGK = TRANSMISSION - 4-SPD. AUTOMATIC,42RE
DGS = TRANSMISSION-4SPD. AUTO,AISIN WARNER
DGT = TRANSMISSION - 4-SPD. AUTOMATIC,46RE
DGW = TRANSMISSION - 4-SPD. AUTOMATIC,44RE
DGX = TRANSMISSION - 4-SPEED AUTOMATIC
DBB = ALL MANUAL TRANSMISSIONS
DGO = ALL AUTOMATIC TRANSMISSIONS

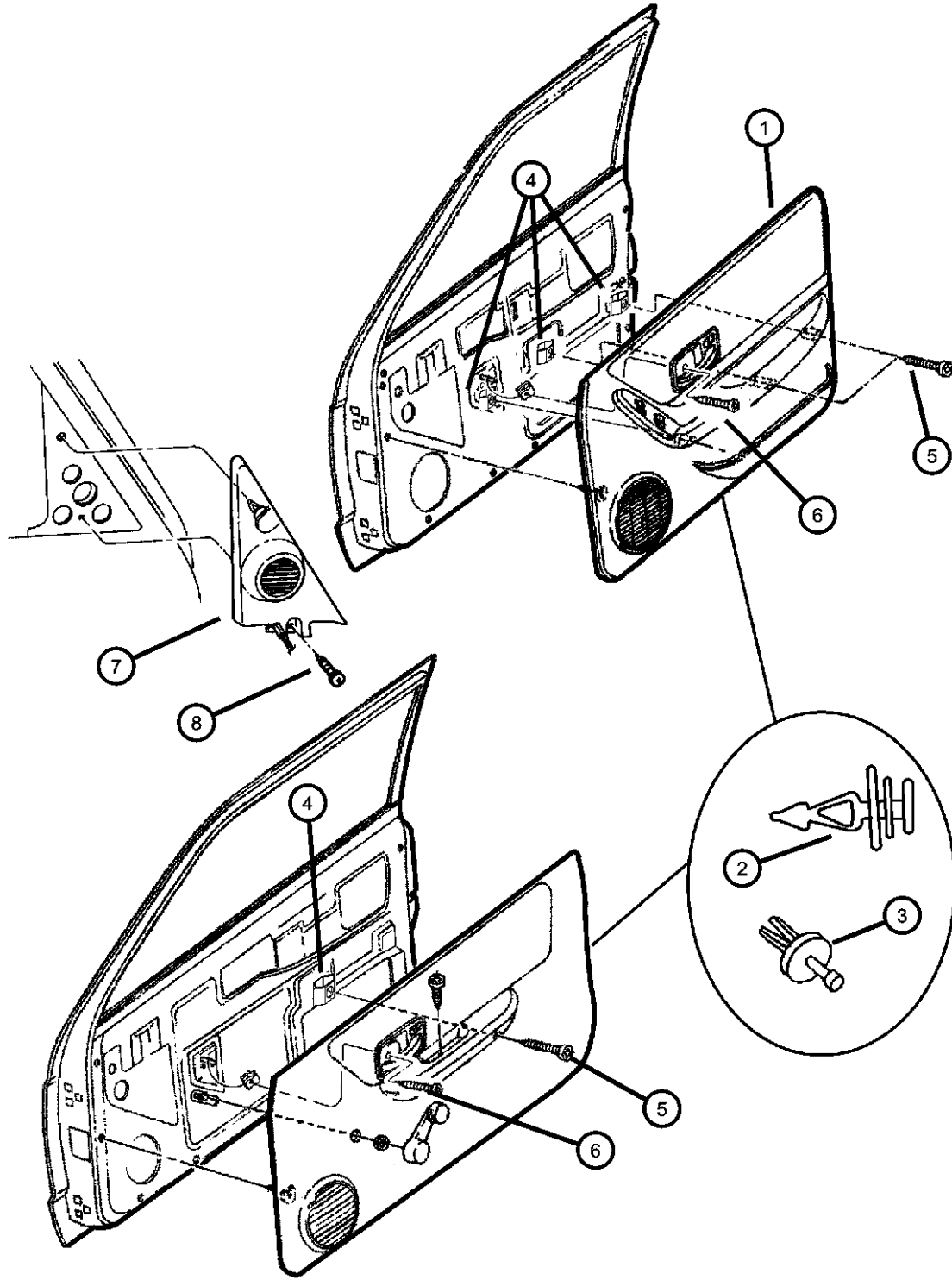
AR = use ase required - = Non illustrated part

2000 XJ

**Interior Trim Parts, 2 Door
Figure IXJ-410**

ITEM	PART NUMBER	QTY	LINE	SERIES	BODY	ENGINE	TRANS	TRIM	DESCRIPTION
------	-------------	-----	------	--------	------	--------	-------	------	-------------

-9	06032723	2							SCREW, Self Tapping, M4.2x1.69x19.05, Used on Front Door Trim Panel Tab U-NUT, M6.3X1.81
-10	06505387AA	6							



CHEROKEE (XJ)

SERIES	LINE
H = Sport	T = JEEP - 2WD
L = SE	B = JEEP - 2WD (RHD)
P = Classic	J = JEEP - 4WD
S = Limited	U = JEEP - 4WD (RHD)

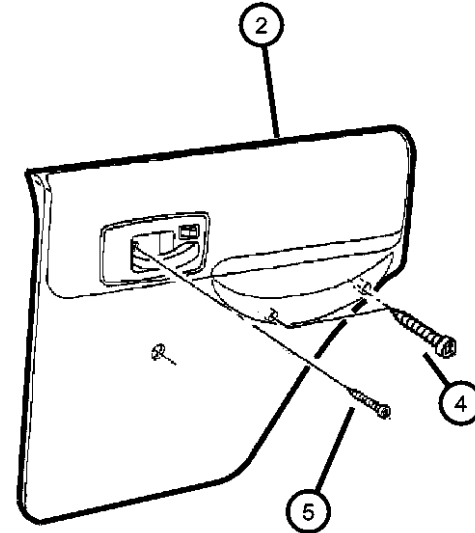
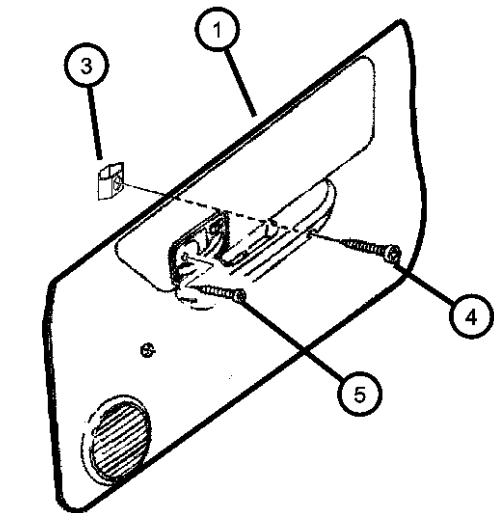
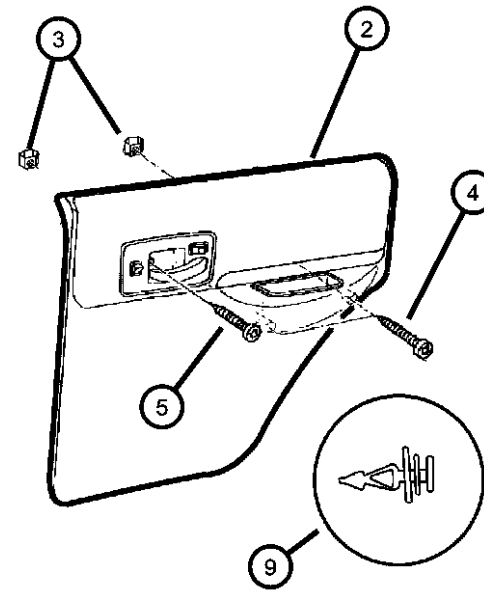
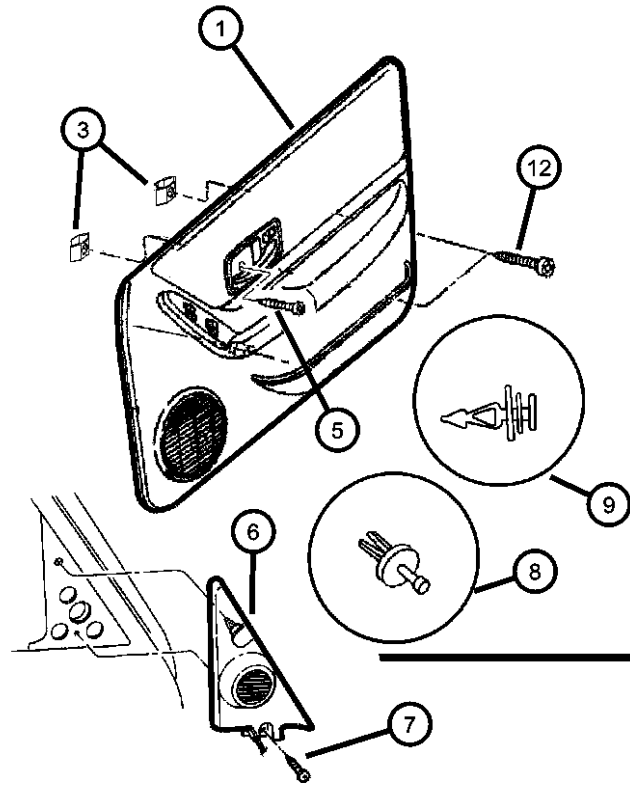
BODY
74 = 4 Dr (101.4WB)
72 = 2 Dr (101.4WB)

ENGINE	TRANSMISSION
ENC = ENGINE - 2.5L 4 CYL TURBO DIESEL	DDD = TRANSMISSION - 5-SPEED HD MANUAL
EPE = ENGINE - 2.5L POWER TECH I-4 Cyl.	DDQ = TRANSMISSION - 5-SPEED MANUAL
ERH = ENGINE - 4.0L POWER TECH I-6	DGD = TRANSMISSION - 3-SPD. AUTOMATIC,30RH
	DGK = TRANSMISSION - 4-SPD. AUTOMATIC,42RE
	DGS = TRANSMISSION-4SPD. AUTO,AISIN WARNER
	DGT = TRANSMISSION - 4-SPD. AUTOMATIC,46RE
	DGW = TRANSMISSION - 4-SPD. AUTOMATIC,44RE
	DGX = TRANSMISSION - 4-SPEED AUTOMATIC
	DBB = ALL MANUAL TRANSMISSIONS
	DGO = ALL AUTOMATIC TRANSMISSIONS

AR = use ase required - = Non illustrated part

2000 XJ

**Interior Trim Parts, 4 Door
Figure IXJ-420**



ITEM	PART NUMBER	QTY	LINE	SERIES	BODY	ENGINE	TRANS	TRIM	DESCRIPTION
------	-------------	-----	------	--------	------	--------	-------	------	-------------

Sales Codes: [CBW]= Highland Vinyl
 [CBV]= Cloth With Map Pocket
 [CBZ]= Premium Vinyl With Map Pocket
 [GVB]= Power Mirrors
 [JPA]= Power Windows
 [JPB]= Power Doors

1	0QL561AZ	1	J, T		74			*00	PANEL, Front Door Trim [AZ], Highland Vinyl With Sales Codes, [CBW, JPA, JPB], Right
	0QL561K5	1	J, T		74			*00	[K5], Highland Vinyl With Sales Codes, [CBW, JPA, JPB], Right
	0QL571AZ	1	J, T		74			*00	[AZ], Highland Vinyl With Sales Codes, [CBW, JPA, JPB, GVB], Left
	0QL571K5	1	J, T		74			*00	[K5], Highland Vinyl With Sales Codes, [CBW, JPA, JPB, GVB], Left
	0SR021AZAA	1	B, U		74			*00	[AZ], Highland Vinyl With Sales Codes, [CBW, JPA, JPB], Right
	0SR021K5AA	1	B, U		74			*00	[K5], Highland Vinyl With Sales Codes, [CBW, JPA, JPB], Right
	0SR031AZAA	1	B, U		74			*00	[AZ], Highland Vinyl With Sales Codes, [CBW, JPA, JPB, GVB], Left
	0SR031K5AA	1	B, U		74			*00	[K5], Highland Vinyl With Sales Codes, [CBW, JPA, JPB, GVB], Left
	0SR041AZAA	1	J, T		74			*00	[AZ], Cloth With Map Pocket, Sales Code [CBV], Right
	0SR041K5AA	1	J, T		74			*00	[K5], Cloth With Map Pocket, Sales Code [CBV], Right
	0SR051AZAA	1	J, T		74			*00	[AZ], Cloth With Map Pocket, Sales Code [CBV], Left
	0SR051K5AA	1	J, T		74			*00	[K5], Cloth With Map Pocket, Sales Code [CBV], Left

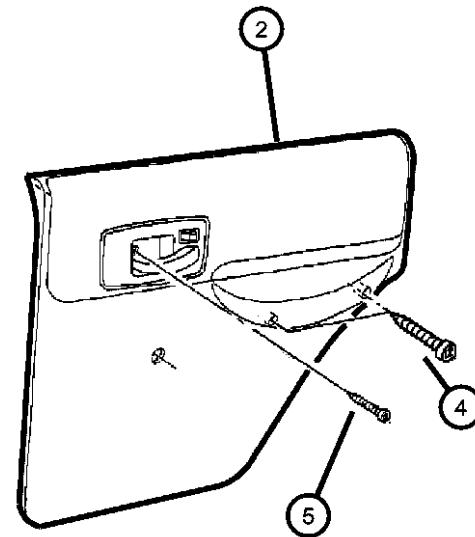
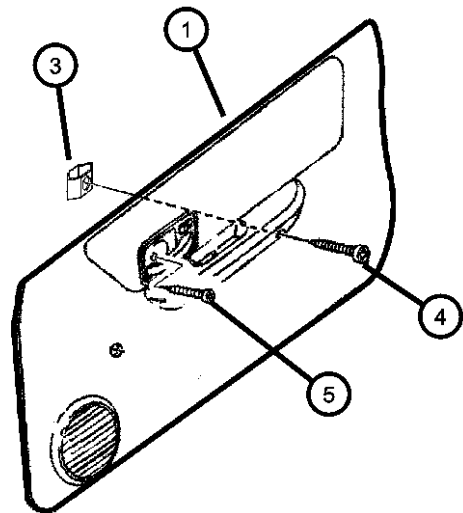
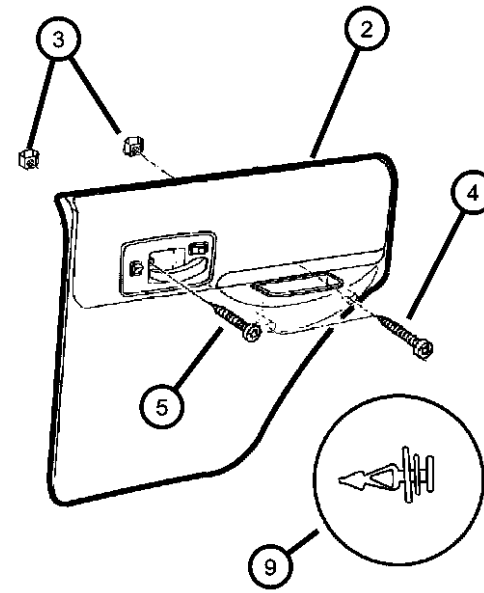
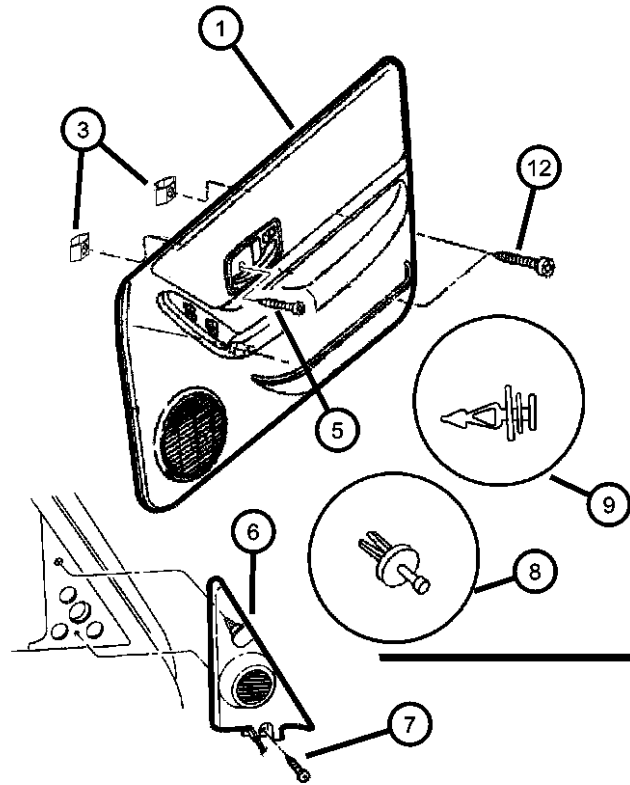
CHEROKEE (XJ)

SERIES	LINE	BODY	ENGINE	TRANSMISSION
H = Sport	T = JEEP - 2WD	74 = 4 Dr (101.4WB)	ENC = ENGINE - 2.5L 4 CYL TURBO DIESEL	DDD = TRANSMISSION - 5-SPEED HD MANUAL
L = SE	B = JEEP - 2WD (RHD)	72 = 2 Dr (101.4WB)	EPE = ENGINE - 2.5L POWER TECH I-4 Cyl.	DDQ = TRANSMISSION - 5-SPEED MANUAL
P = Classic	J = JEEP - 4WD		ERH = ENGINE - 4.0L POWER TECH I-6	DGD = TRANSMISSION - 3-SPD. AUTOMATIC,30RH
S = Limited	U = JEEP - 4WD (RHD)			DGK = TRANSMISSION - 4-SPD. AUTOMATIC,42RE
				DGS = TRANSMISSION-4SPD. AUTO,AISIN WARNER
				DGT = TRANSMISSION - 4-SPD. AUTOMATIC,46RE
				DGW = TRANSMISSION - 4-SPD. AUTOMATIC,44RE
				DGX = TRANSMISSION - 4-SPEED AUTOMATIC
				DBB = ALL MANUAL TRANSMISSIONS
				DGO = ALL AUTOMATIC TRANSMISSIONS

AR = use ase required - = Non illustrated part

2000 XJ

**Interior Trim Parts, 4 Door
Figure IXJ-420**



ITEM	PART NUMBER	QTY	LINE	SERIES	BODY	ENGINE	TRANS	TRIM	DESCRIPTION
	0SR061AZAA	1	B, U		74			*00	[AZ], Cloth With Map Pocket, Sales Code [CBV], Right
	0SR061K5AA	1	B, U		74			*00	[K5], Cloth With Map Pocket, Sales Code [CBV], Right
	0SR071AZAA	1	B, U		74			*00	[AZ], Cloth With Map Pocket, Sales Code [CBV], Left
	0SR071K5AA	1	B, U		74			*00	[K5], Cloth With Map Pocket, Sales Code [CBV], Left
	0SR081AZAA	1	J, T		74			*00	[AZ], Premium Vinyl With Map Pocket, Sales Code [CBZ], Right
	0SR081K5AA	1	J, T		74			*00	[K5], Premium Vinyl With Map Pocket, Sales Code [CBZ], Right
	0SR091AZAA	1	J, T		74			*00	[AZ], Premium Vinyl With Map Pocket, Sales Code [CBZ], Left
	0SR091K5AA	1	J, T		74			*00	[K5], Premium Vinyl With Map Pocket, Sales Code [CBZ], Left
	0SR101AZAA	1	B, U		74			*00	[AZ], Premium Vinyl With Map Pocket, Sales Code [CBZ], Right
	0SR101K5AA	1	B, U		74			*00	[K5], Premium Vinyl With Map Pocket, Sales Code [CBZ], Right
	0SR111AZAA	1	B, U		74			*00	[AZ], Premium Vinyl With Map Pocket, Sales Code [CBZ], Left
	0SR111K5AA	1	B, U		74			*00	[K5], Premium Vinyl With Map Pocket, Sales Code [CBZ], Left
	5EH241AZAE	1	J, T		74			*00	[AZ], Highland Vinyl, Without Power, Sales Code [CBW], Right
		1	B, U		74			*00	[AZ], Highland Vinyl, Without Power, Sales Code [CBW], Right
	5EH241K5AE	1	J, T		74			*00	[K5], Highland Vinyl, Without Power, Sales Code [CBW], Right
		1	B, U		74			*00	[K5], Highland Vinyl, Without Power, Sales Code [CBW], Right
	5EH251AZAE	1	B, U		74			*00	[AZ], Highland Vinyl, Without Power, Sales Code [CBW], Left

CHEROKEE (XJ)

SERIES LINE
H = Sport T = JEEP - 2WD
L = SE B = JEEP - 2WD (RHD)
P = Classic J = JEEP - 4WD
S = Limited U = JEEP - 4WD (RHD)

BODY
74 = 4 Dr (101.4WB)
72 = 2 Dr (101.4WB)

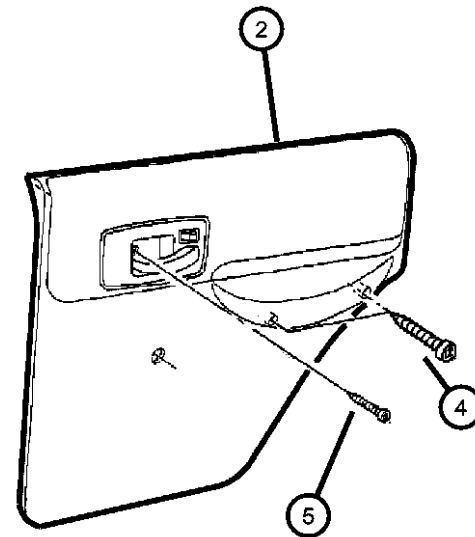
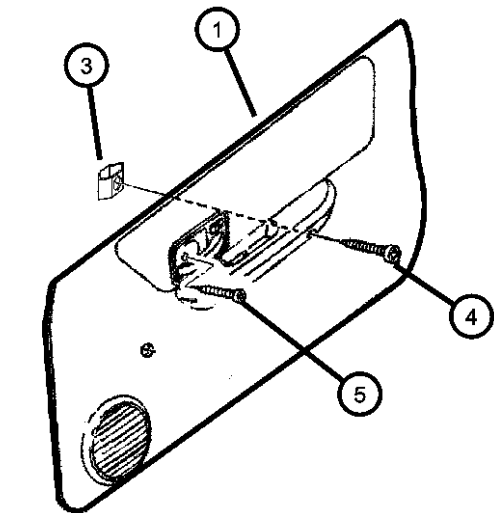
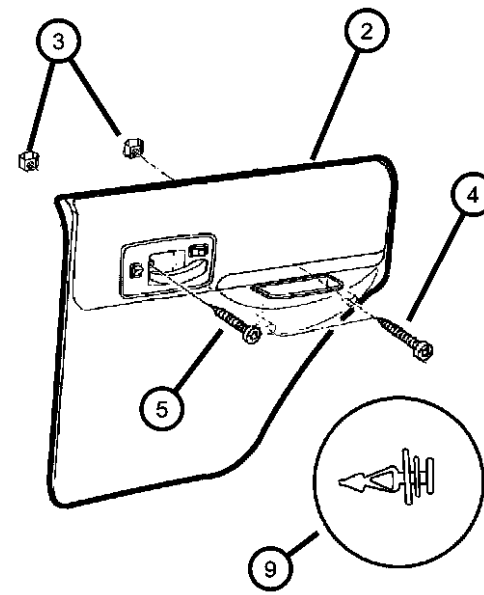
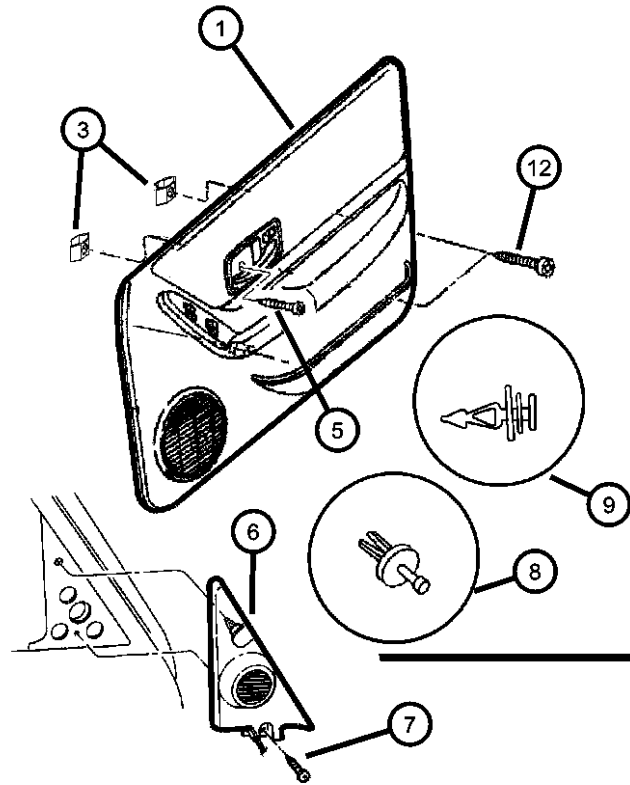
ENGINE
ENC = ENGINE - 2.5L 4 CYL TURBO DIESEL
EPE = ENGINE - 2.5L POWER TECH I-4 Cyl.
ERH = ENGINE - 4.0L POWER TECH I-6

TRANSMISSION
DDD = TRANSMISSION - 5-SPEED HD MANUAL
DDQ = TRANSMISSION - 5-SPEED MANUAL
DGD = TRANSMISSION - 3-SPD. AUTOMATIC,30RH
DGK = TRANSMISSION - 4-SPD. AUTOMATIC,42RE
DGS = TRANSMISSION-4SPD. AUTO,AISIN WARNER
DGT = TRANSMISSION - 4-SPD. AUTOMATIC,46RE
DGW = TRANSMISSION - 4-SPD. AUTOMATIC,44RE
DGX = TRANSMISSION - 4-SPEED AUTOMATIC
DBB = ALL MANUAL TRANSMISSIONS
DGO = ALL AUTOMATIC TRANSMISSIONS

AR = use ase required - = Non illustrated part

2000 XJ

**Interior Trim Parts, 4 Door
Figure IXJ-420**



ITEM	PART NUMBER	QTY	LINE	SERIES	BODY	ENGINE	TRANS	TRIM	DESCRIPTION
		1	J, T		74			*00	[AZ], Highland Vinyl, Without Power, Sales Code [CBW], Left
	5EH251K5AE	1	B, U		74			*00	[K5], Highland Vinyl, Without Power, Sales Code [CBW], Left
		1	J, T		74			*00	[K5], Highland Vinyl, Without Power, Sales Code [CBW], Left
	5EH261AZAF	1	B, U		74			*00	[AZ], Highland Vinyl, With Power Mirrors Only, Sales Codes [CBW, GVB], Right
	5EH261K5AF	1	B, U		74			*00	[K5], Highland Vinyl, With Power Mirrors Only, Sales Codes [CBW, GVB], Right
	5EH271AZAF	1	J, T		74			*00	[AZ], Highland Vinyl, With Power Mirrors Only, Sales Codes [CBW, GVB], Left
	5EH271K5AF	1	J, T		74			*00	[K5], Highland Vinyl, With Power Mirrors Only, Sales Codes [CBW, GVB], Left
2									PANEL, Rear Door Trim
	0QL781AZ	1			74			*00	[AZ], Highland Vinyl, With Sales Codes [CBW, JPA, JPB], Right
	0QL781K5	1			74			*00	[K5], Highland Vinyl, With Sales Codes [CBW, JPA, JPB], Right
	0QL791AZ	1			74			*00	[AZ], Highland Vinyl, With Sales Codes [CBW, JPA, JPB], Left
	0QL791K5	1			74			*00	[K5], Highland Vinyl, With Sales Codes [CBW, JPA, JPB], Left
	0QL801AZ	1			74			*00	[AZ], Cloth With Map Pocket, Sales Code [CBV], Right
	0QL801K5	1			74			*00	[K5], Cloth With Map Pocket, Sales Code [CBV], Right
	0QL811AZ	1			74			*00	[AZ], Cloth With Map Pocket, Sales Code [CBV], Left

CHEROKEE (XJ)

SERIES LINE
H = Sport T = JEEP - 2WD
L = SE B = JEEP - 2WD (RHD)
P = Classic J = JEEP - 4WD
S = Limited U = JEEP - 4WD (RHD)

BODY
74 = 4 Dr (101.4WB)
72 = 2 Dr (101.4WB)

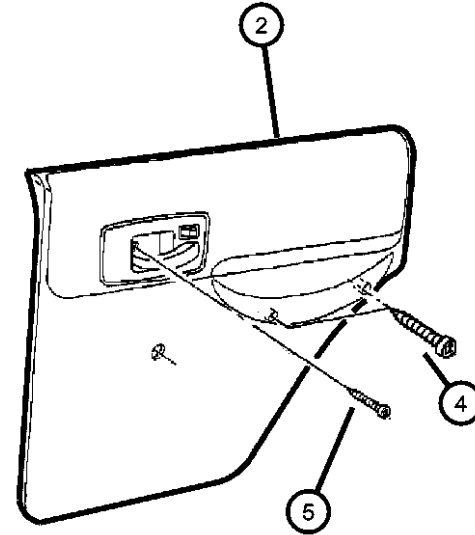
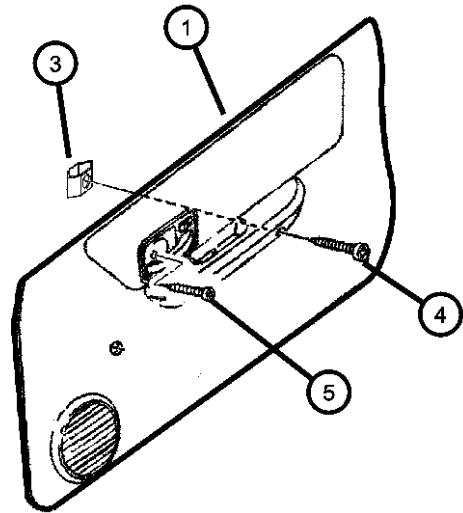
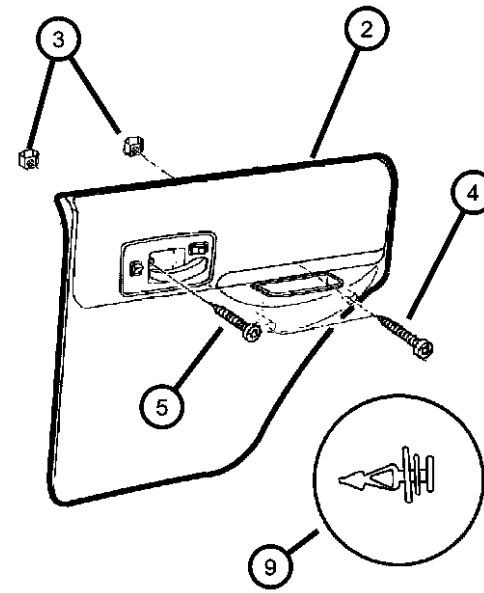
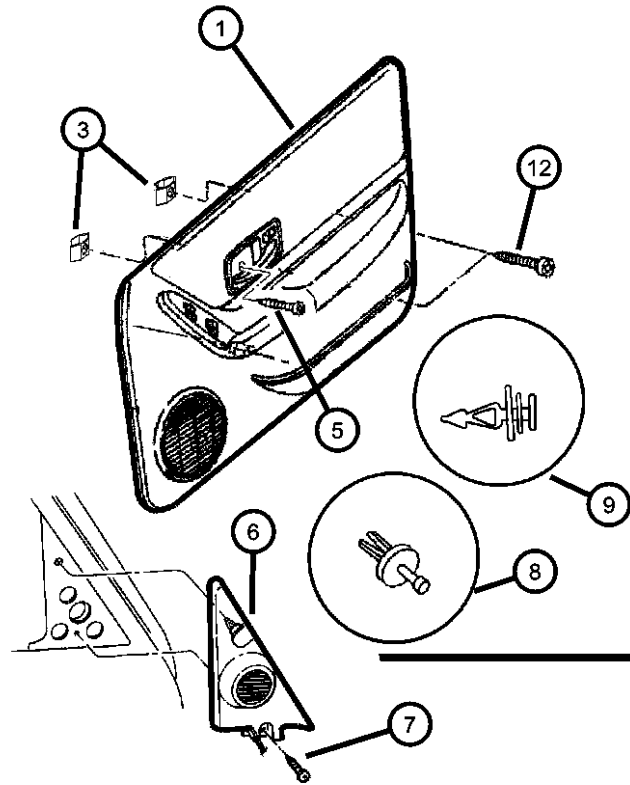
ENGINE
ENC = ENGINE - 2.5L 4 CYL TURBO DIESEL
EPE = ENGINE - 2.5L POWER TECH I-4 Cyl.
ERH = ENGINE - 4.0L POWER TECH I-6

TRANSMISSION
DDD = TRANSMISSION - 5-SPEED HD MANUAL
DDQ = TRANSMISSION - 5-SPEED MANUAL
DGD = TRANSMISSION - 3-SPD. AUTOMATIC,30RH
DGK = TRANSMISSION - 4-SPD. AUTOMATIC,42RE
DGS = TRANSMISSION-4SPD. AUTO,AISIN WARNER
DGT = TRANSMISSION - 4-SPD. AUTOMATIC,46RE
DGW = TRANSMISSION - 4-SPD. AUTOMATIC,44RE
DGX = TRANSMISSION - 4-SPEED AUTOMATIC
DBB = ALL MANUAL TRANSMISSIONS
DGO = ALL AUTOMATIC TRANSMISSIONS

AR = use ase required - = Non illustrated part

2000 XJ

Interior Trim Parts, 4 Door
Figure IXJ-420



ITEM	PART NUMBER	QTY	LINE	SERIES	BODY	ENGINE	TRANS	TRIM	DESCRIPTION
	0QL811K5	1			74			*00	[K5], Cloth With Map Pocket, Sales Code [CBV], Left
	0QL821AZ	1			74			*00	[AZ], Premium Vinyl With Map Pockets, Sales Code [CBZ], Right
	0QL821K5	1			74			*00	[K5], Premium Vinyl With Map Pockets, Sales Code [CBZ], Right
	0QL831AZ	1			74			*00	[AZ], Premium Vinyl With Map Pockets, Sales Code [CBZ], Left
	0QL831K5	1			74			*00	[K5], Premium Vinyl With Map Pockets, Sales Code [CBZ], Left
	5EG821AZAC	1			74			*00	[AZ], Highland Vinyl, Without Power, Sales Code [CBW], Right
	5EG821K5AC	1			74			*00	[K5], Highland Vinyl, Without Power, Sales Code [CBW], Right
	5EG831AZAC	1			74			*00	[AZ], Highland Vinyl, Without Power, Sales Code [CBW], Left
	5EG831K5AC	1			74			*00	[K5], Highland Vinyl, Without Power, Sales Code [CBW], Left
3	06029509	2							U-NUT, .250-14
4	06029509	2							SCREW, Pan Head Tapping, .250x14x1.772, (NOT SERVICED)
5	06029509	2							SCREW, Remote Control Handle, M4x.7x16, (NOT SERVICED)
6									COVER, Mirror Opening
	5FM02LAZAB	1						*00	[AZ], Without Tweeter, Right
	5FM03LAZAB	1						*00	[AZ], Without Tweeter, Left
	5FV14LAZAB	1						*00	[AZ], With Tweeter, Right
	5FV15LAZAB	1						*00	[AZ], With Tweeter, Left
7	5FV15LAZAB	1							SCREW, .164-18x.625, (NOT SERVICED),

CHEROKEE (XJ)

SERIES LINE
 H = Sport T = JEEP - 2WD
 L = SE B = JEEP - 2WD (RHD)
 P = Classic J = JEEP - 4WD
 S = Limited U = JEEP - 4WD (RHD)

BODY
 74 = 4 Dr (101.4WB)
 72 = 2 Dr (101.4WB)

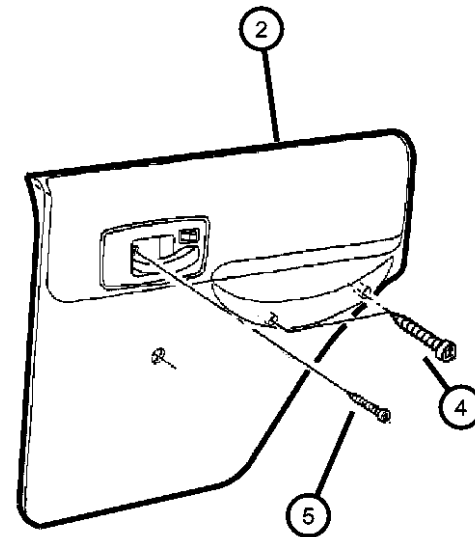
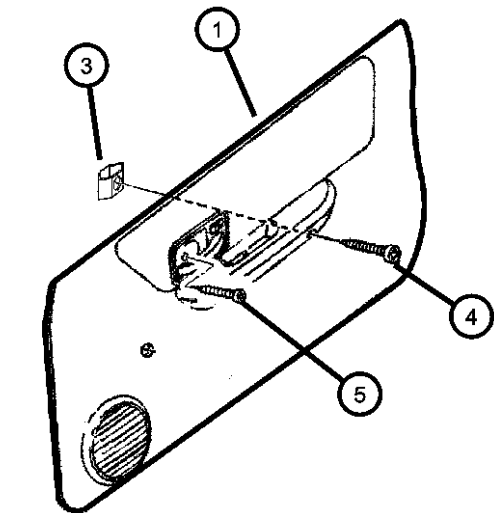
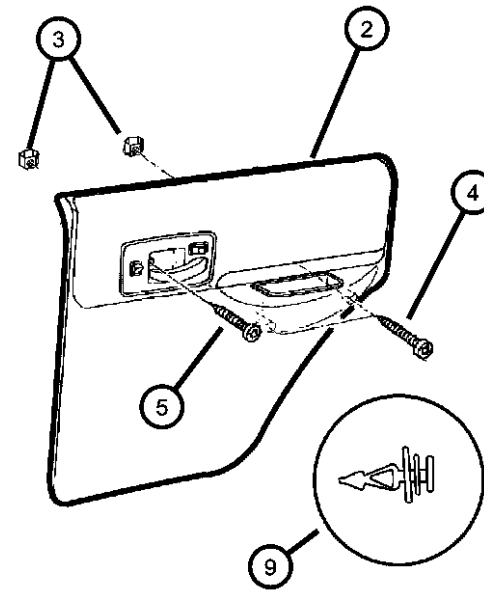
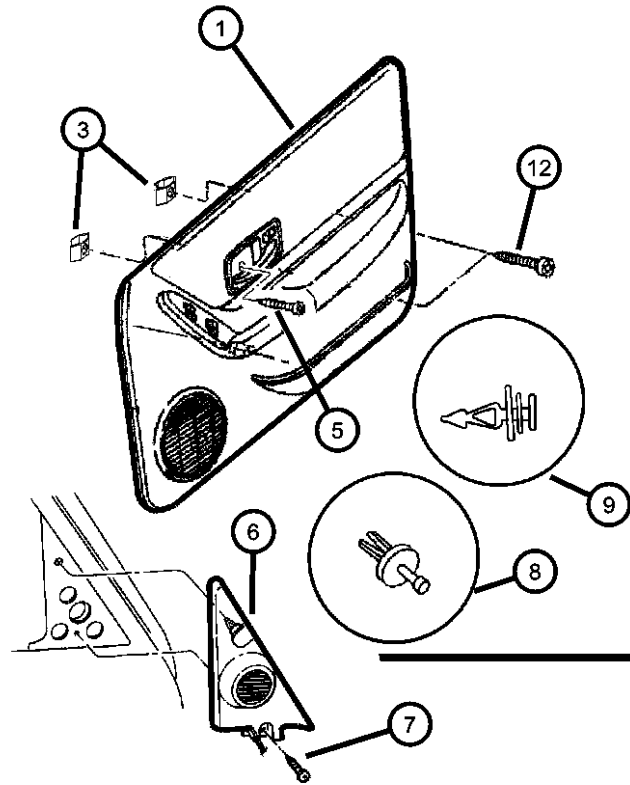
ENGINE
 ENC = ENGINE - 2.5L 4 CYL TURBO DIESEL
 EPE = ENGINE - 2.5L POWER TECH I-4 Cyl.
 ERH = ENGINE - 4.0L POWER TECH I-6

TRANSMISSION
 DDD = TRANSMISSION - 5-SPEED HD MANUAL
 DDQ = TRANSMISSION - 5-SPEED MANUAL
 DGD = TRANSMISSION - 3-SPD. AUTOMATIC,30RH
 DGK = TRANSMISSION - 4-SPD. AUTOMATIC,42RE
 DGS = TRANSMISSION-4SPD. AUTO,AISIN WARNER
 DGT = TRANSMISSION - 4-SPD. AUTOMATIC,46RE
 DGW = TRANSMISSION - 4-SPD. AUTOMATIC,44RE
 DGX = TRANSMISSION - 4-SPEED AUTOMATIC
 DBB = ALL MANUAL TRANSMISSIONS
 DGO = ALL AUTOMATIC TRANSMISSIONS

AR = use ase required - = Non illustrated part

2000 XJ

**Interior Trim Parts, 4 Door
Figure IXJ-420**



ITEM	PART NUMBER	QTY	LINE	SERIES	BODY	ENGINE	TRANS	TRIM	DESCRIPTION
8	06505009AC	AR							FASTENER, Door Trim Panel, Black
9	06504014	5						*O0	FASTENER, Door Trim Panel, White
-10	06032723	2							SCREW, Self Tapping, M4.2x1.69x19.05, Used on Front Door Trim Panel Tab
-11	06505387AA	6							U-NUT, M6.3X1.81
12	11500068	6							SCREW, Pan Head Tapping, .250x14x1.772

CHEROKEE (XJ)

SERIES	LINE
H = Sport	T = JEEP - 2WD
L = SE	B = JEEP - 2WD (RHD)
P = Classic	J = JEEP - 4WD
S = Limited	U = JEEP - 4WD (RHD)

BODY
74 = 4 Dr (101.4WB)
72 = 2 Dr (101.4WB)

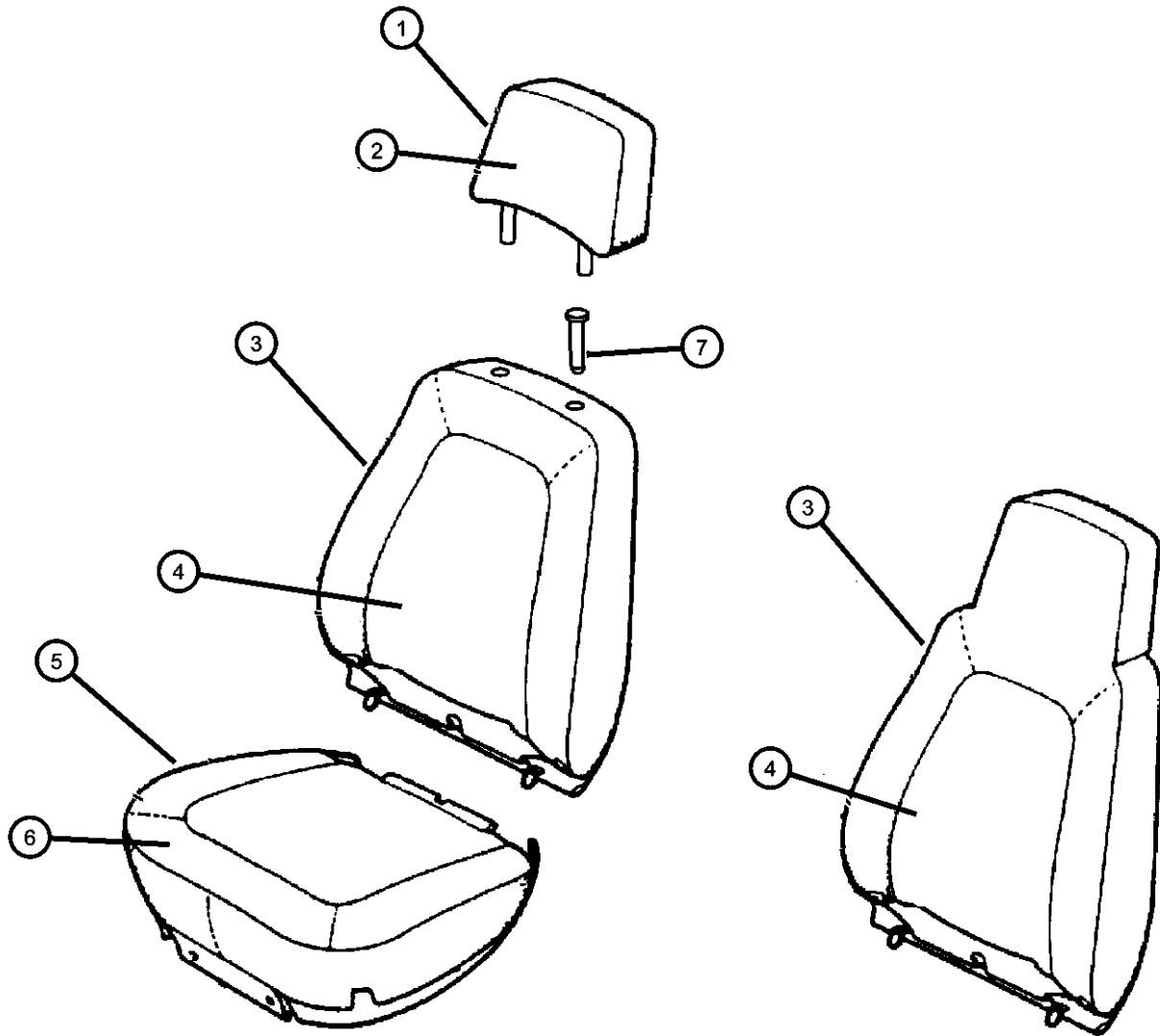
ENGINE
ENC = ENGINE - 2.5L 4 CYL TURBO DIESEL
EPE = ENGINE - 2.5L POWER TECH I-4 Cyl.
ERH = ENGINE - 4.0L POWER TECH I-6

TRANSMISSION
DDD = TRANSMISSION - 5-SPEED HD MANUAL
DDQ = TRANSMISSION - 5-SPEED MANUAL
DGD = TRANSMISSION - 3-SPD. AUTOMATIC,30RH
DGK = TRANSMISSION - 4-SPD. AUTOMATIC,42RE
DGS = TRANSMISSION-4SPD. AUTO,AISIN WARNER
DGT = TRANSMISSION - 4-SPD. AUTOMATIC,46RE
DGW = TRANSMISSION - 4-SPD. AUTOMATIC,44RE
DGX = TRANSMISSION - 4-SPEED AUTOMATIC
DBB = ALL MANUAL TRANSMISSIONS
DGO = ALL AUTOMATIC TRANSMISSIONS

AR = use ase required - = Non illustrated part

Seat Covers and Seat Assemblies
Figure IXJ-510

ITEM	PART NUMBER	QTY	LINE	SERIES	BODY	ENGINE	TRANS	TRIM	DESCRIPTION
1									HEADREST, Front
	0TH651AZAA	2	J, T		74			*XJ [AZ]	
		2	J, T		72			*XJ [AZ]	
		2	B, U		74			*XJ [AZ]	
	0TH651K5AA	2	J, T		74			*XJ [K5]	
		2	J, T		72			*XJ [K5]	
		2	B, U		74			*XJ [K5]	
	0TH671AZAA	2	J, T		74			*DL [AZ]	
		2	B, U		74			*DL [AZ]	
	0TH671K5AA	2	J, T		74			*DL [K5]	
		2	B, U		74			*DL [K5]	
2									COVER, Seat Headrest
	0QW201AZAA	1	J, T		74			*DL [AZ]	
		1	B, U		74			*DL [AZ]	
	0QW201K5AA	1	J, T		74			*DL [K5]	
		1	B, U		74			*DL [K5]	
	0QW651AZAA	1	J, T		72			*XJ [AZ]	
		1	B, U		74			*XJ [AZ]	
		1	J, T		74			*XJ [AZ]	
	0QW651K5AA	1	J, T		72			*XJ [K5]	
		1	B, U		74			*XJ [K5]	
		1	J, T		74			*XJ [K5]	
3									BACK, Front Seat
	0QV901AZAA	1	B, U		74			*B6 [AZ], Right	
		1	J, T, U		72			*B6 [AZ], Right	



CHEROKEE (XJ)

SERIES

H = Sport
L = SE
P = Classic
S = Limited

LINE

T = JEEP - 2WD
B = JEEP - 2WD (RHD)
J = JEEP - 4WD
U = JEEP - 4WD (RHD)

BODY

74 = 4 Dr (101.4WB)
72 = 2 Dr (101.4WB)

ENGINE

ENC = ENGINE - 2.5L 4 CYL TURBO DIESEL
EPE = ENGINE - 2.5L POWER TECH I-4 Cyl.
ERH = ENGINE - 4.0L POWER TECH I-6

TRANSMISSION

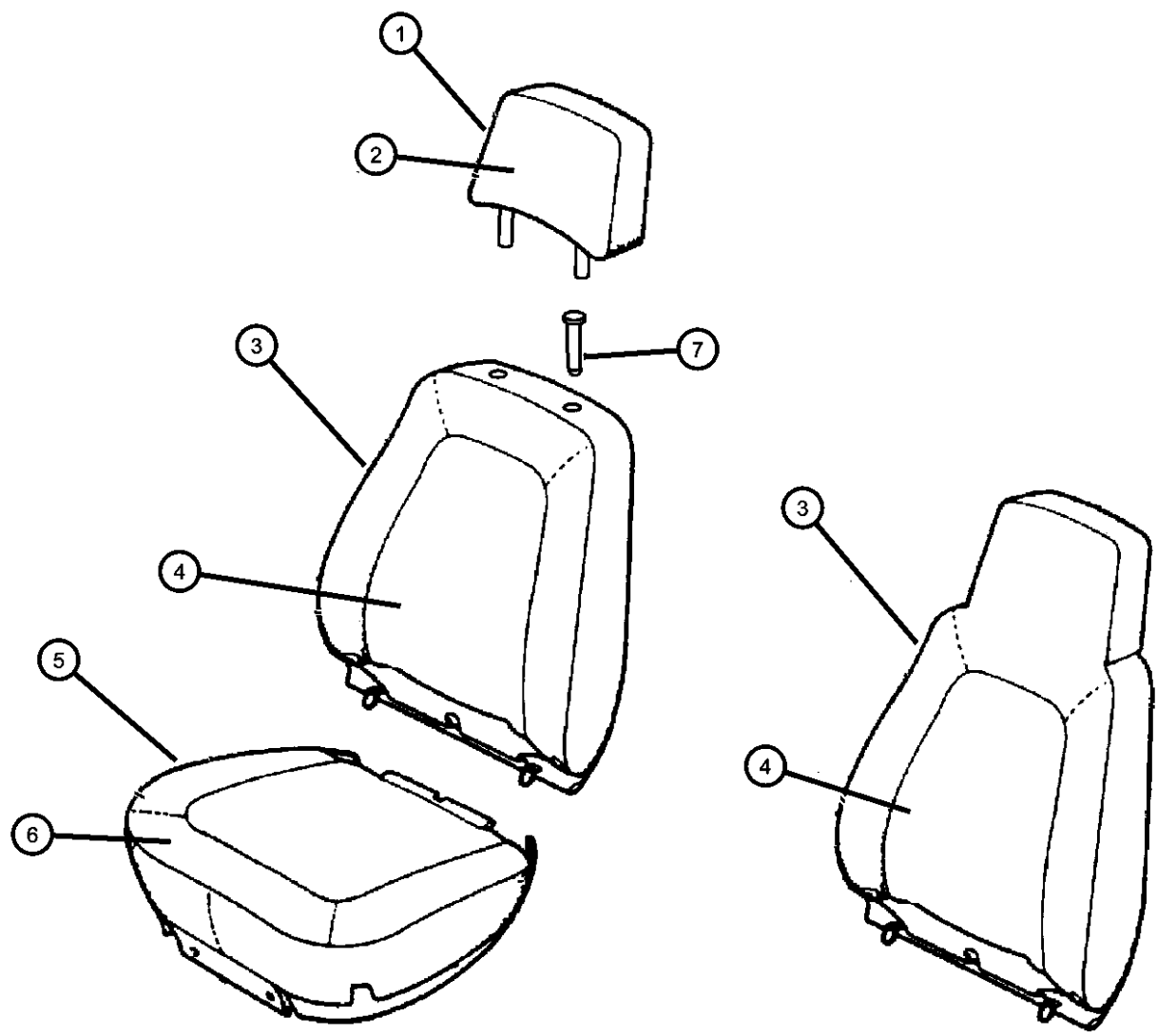
DDD = TRANSMISSION - 5-SPEED HD MANUAL
DDQ = TRANSMISSION - 5-SPEED MANUAL
DGD = TRANSMISSION - 3-SPD. AUTOMATIC,30RH
DGK = TRANSMISSION - 4-SPD. AUTOMATIC,42RE
DGS = TRANSMISSION-4SPD. AUTO,AISIN WARNER
DGT = TRANSMISSION - 4-SPD. AUTOMATIC,46RE
DGW = TRANSMISSION - 4-SPD. AUTOMATIC,44RE
DGX = TRANSMISSION - 4-SPEED AUTOMATIC
DBB = ALL MANUAL TRANSMISSIONS
DGO = ALL AUTOMATIC TRANSMISSIONS

AR = use ase required - = Non illustrated part

2000 XJ

Seat Covers and Seat Assemblies
Figure IXJ-510

ITEM	PART NUMBER	QTY	LINE	SERIES	BODY	ENGINE	TRANS	TRIM	DESCRIPTION
		1	J, T		74			*B6	[AZ], Right
	0QV901K5AA	1	B, U		74			*B6	[K5], Right
		1	J, T, U		72			*B6	[K5], Right
		1	J, T		74			*B6	[K5], Right
	0QV911AZAA	1	B, U		74			*B6	[AZ], Left
		1	J, T, U		72			*B6	[AZ], Left
		1	J, T		74			*B6	[AZ], Left
	0QV911K5AA	1	B, U		74			*B6	[K5], Left
		1	J, T, U		72			*B6	[K5], Left
		1	J, T		74			*B6	[K5], Left
	0QW061AZAA	1	J, T		74			*DL	[AZ], Right
		1	B, U		74			*DL	[AZ], Right
	0QW061K5AA	1	B, U		74			*DL	[K5], Right
		1	J, T		74			*DL	[K5], Right
	0QW071AZAA	1	B, U		74			*DL	[AZ], Left
		1	J, T		74			*DL	[AZ], Left
	0QW071K5AA	1	B, U		74			*DL	[K5], Left
		1	J, T		74			*DL	[K5], Left
	0QW221AZAA	1	J, T		74			*M5	[AZ], Right
		1	J, T		74			*X5	[AZ], Right
		1	J, T		72			*M5	[AZ], Right
		1	B, U		74			*M5	[AZ], Right
	0QW221K5AA	1	J, T		74			*M5	[K5], Right
		1	J, T		74			*X5	[K5], Right
		1	B, U		74			*M5	[K5], Right



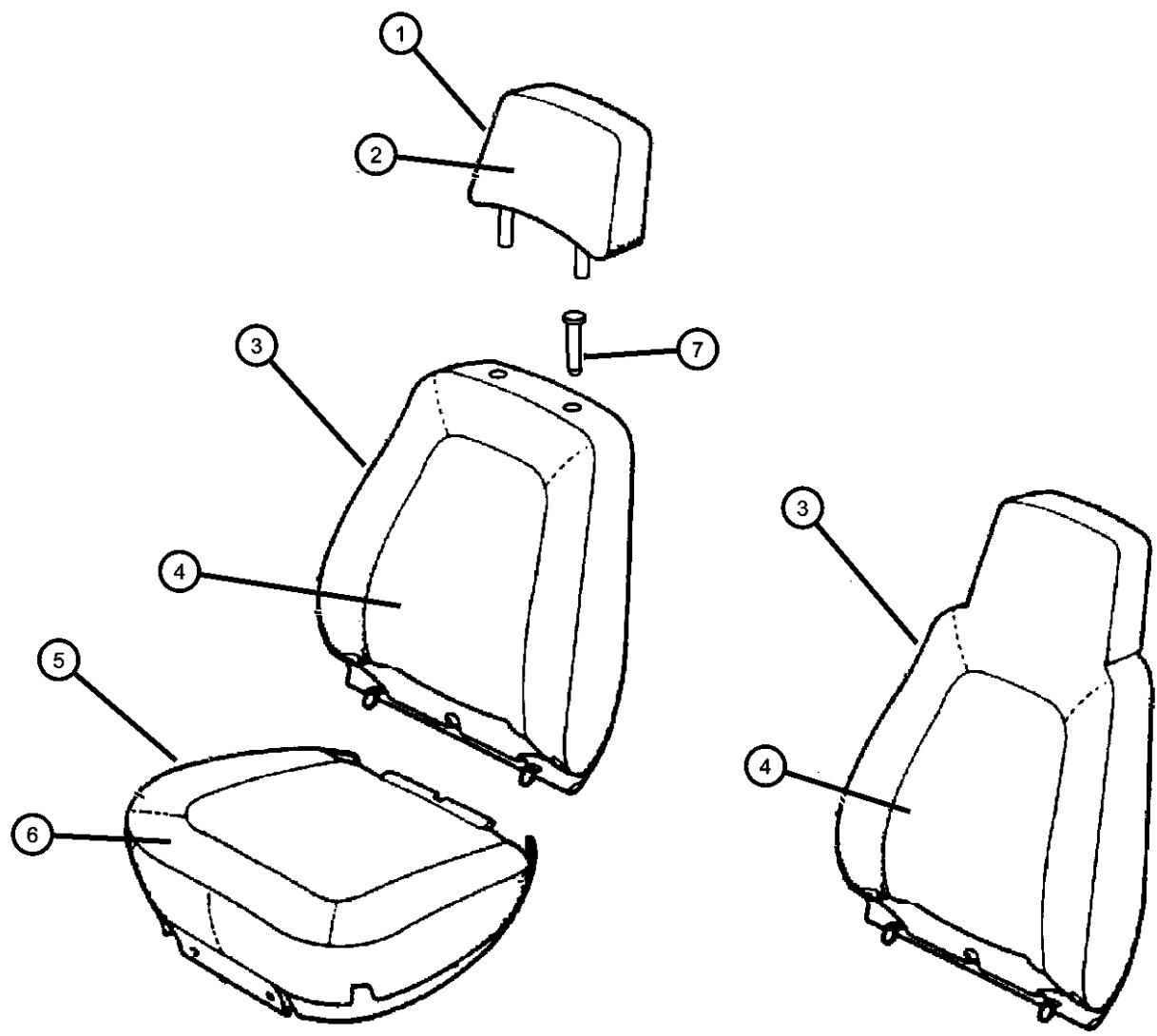
CHEROKEE (XJ)

SERIES	LINE	BODY	ENGINE	TRANSMISSION
H = Sport	T = JEEP - 2WD	74 = 4 Dr (101.4WB)	ENC = ENGINE - 2.5L 4 CYL TURBO DIESEL	DDD = TRANSMISSION - 5-SPEED HD MANUAL
L = SE	B = JEEP - 2WD (RHD)	72 = 2 Dr (101.4WB)	EPE = ENGINE - 2.5L POWER TECH I-4 Cyl.	DDQ = TRANSMISSION - 5-SPEED MANUAL
P = Classic	J = JEEP - 4WD		ERH = ENGINE - 4.0L POWER TECH I-6	DGD = TRANSMISSION - 3-SPD. AUTOMATIC,30RH
S = Limited	U = JEEP - 4WD (RHD)			DGK = TRANSMISSION - 4-SPD. AUTOMATIC,42RE
				DGS = TRANSMISSION-4SPD. AUTO,AISIN WARNER
				DGT = TRANSMISSION - 4-SPD. AUTOMATIC,46RE
				DGW = TRANSMISSION - 4-SPD. AUTOMATIC,44RE
				DGX = TRANSMISSION - 4-SPEED AUTOMATIC
				DBB = ALL MANUAL TRANSMISSIONS
				DGO = ALL AUTOMATIC TRANSMISSIONS

AR = use ase required - = Non illustrated part

Seat Covers and Seat Assemblies
Figure IXJ-510

ITEM	PART NUMBER	QTY	LINE	SERIES	BODY	ENGINE	TRANS	TRIM	DESCRIPTION
		1	J, T		72			*M5	[K5], Right
	0QW231AZAA	1	J, T		74			*M5	[AZ], Left
		1	J, T		74			*X5	[AZ], Left
		1	B, U		74			*M5	[AZ], Left
		1	J, T		72			*M5	[AZ], Left
	0QW231K5AA	1	J, T		74			*M5	[K5], Left
		1	B, U		74			*M5	[K5], Left
		1	J, T		72			*M5	[K5], Left
	0QW441AZAA	1	J, T		72			*XJ	[AZ], Right
		1	B, U		74			*XJ	[AZ], Right
		1	J, T		74			*XJ	[AZ], Right
	0QW441K5AA	1	J, T		72			*XJ	[K5], Right
		1	B, U		74			*XJ	[K5], Right
		1	J, T		74			*XJ	[K5], Right
	0QW451AZAA	1	J, T		72			*XJ	[AZ], Left
		1	B, U		74			*XJ	[AZ], Left
		1	J, T		74			*XJ	[AZ], Left
	0QW451K5AA	1	J, T		72			*XJ	[K5], Left
		1	B, U		74			*XJ	[K5], Left
		1	J, T		74			*XJ	[K5], Left
	0SN481AZAA	1	J, T		74			*DL	[AZ], Heated, Right
		1	B, U		74			*DL	[AZ], Heated, Right
	0SN481K5AA	1	J, T		74			*DL	[K5], Heated, Right
		1	B, U		74			*DL	[K5], Heated, Right
	0SN491AZAA	1	J, T		74			*DL	[AZ], Heated, Left



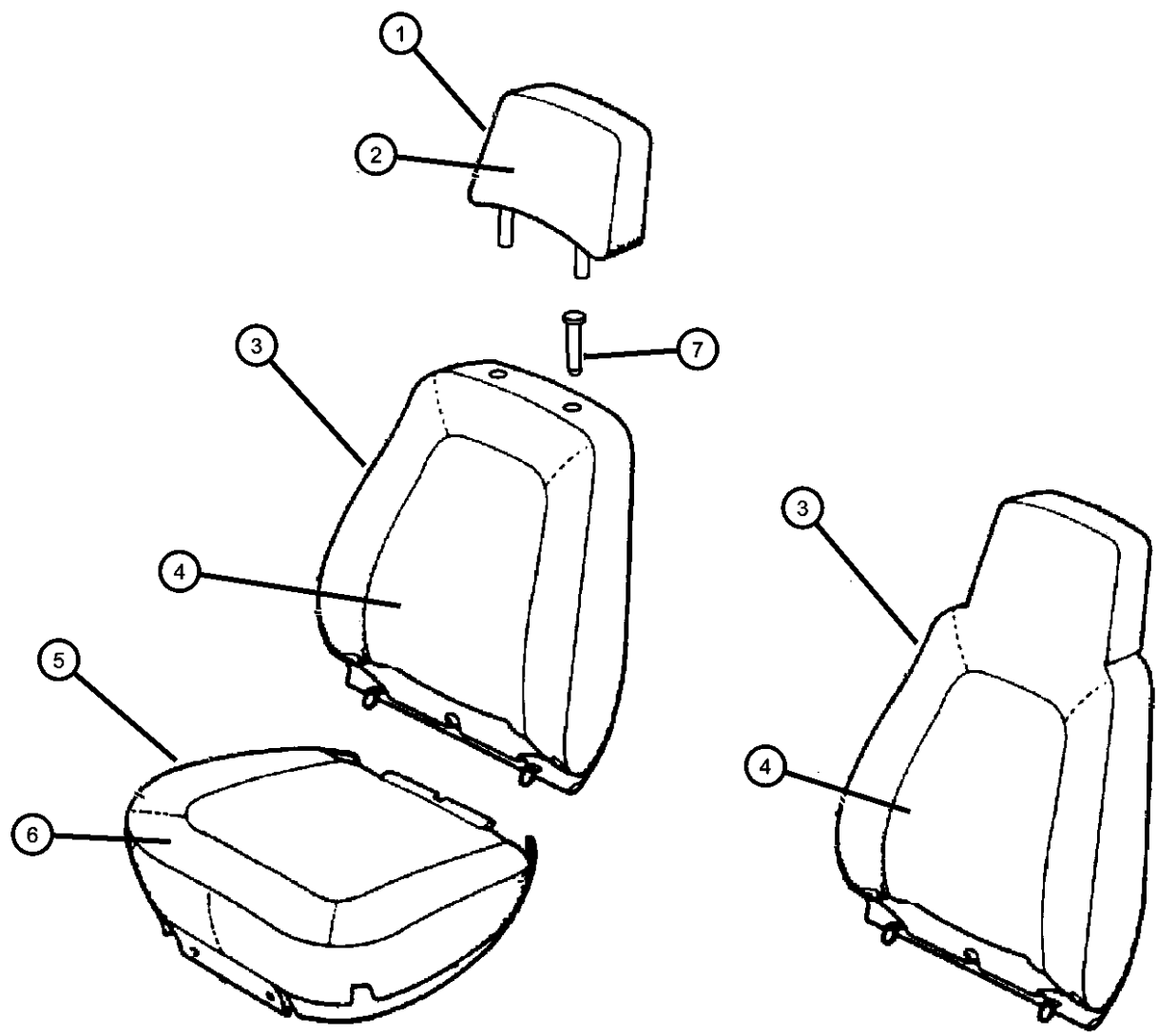
CHEROKEE (XJ)

SERIES	LINE	BODY	ENGINE	TRANSMISSION
H = Sport	T = JEEP - 2WD	74 = 4 Dr (101.4WB)	ENC = ENGINE - 2.5L 4 CYL TURBO DIESEL	DDD = TRANSMISSION - 5-SPEED HD MANUAL
L = SE	B = JEEP - 2WD (RHD)	72 = 2 Dr (101.4WB)	EPE = ENGINE - 2.5L POWER TECH I-4 Cyl.	DDQ = TRANSMISSION - 5-SPEED MANUAL
P = Classic	J = JEEP - 4WD		ERH = ENGINE - 4.0L POWER TECH I-6	DGD = TRANSMISSION - 3-SPD. AUTOMATIC,30RH
S = Limited	U = JEEP - 4WD (RHD)			DGK = TRANSMISSION - 4-SPD. AUTOMATIC,42RE
				DGS = TRANSMISSION-4SPD. AUTO,AISIN WARNER
				DGT = TRANSMISSION - 4-SPD. AUTOMATIC,46RE
				DGW = TRANSMISSION - 4-SPD. AUTOMATIC,44RE
				DGX = TRANSMISSION - 4-SPEED AUTOMATIC
				DBB = ALL MANUAL TRANSMISSIONS
				DGO = ALL AUTOMATIC TRANSMISSIONS

AR = use ase required - = Non illustrated part

Seat Covers and Seat Assemblies
Figure IXJ-510

ITEM	PART NUMBER	QTY	LINE	SERIES	BODY	ENGINE	TRANS	TRIM	DESCRIPTION
		1	B, U		74			*DL	[AZ], Heated, Left
	0SN491K5AA	1	J, T		74			*DL	[K5], Heated, Left
		1	B, U		74			*DL	[K5], Heated, Left
4									COVER, Seat Back
	0QV951AZAA	1	B, U		74			*B6	[AZ]
		1	J, T, U		72			*B6	[AZ]
		1	J, T		74			*B6	[AZ]
	0QV951K5AA	1	B, U		74			*B6	[K5]
		1	J, T, U		72			*B6	[K5]
		1	J, T		74			*B6	[K5]
	0QW041AZAA	2	B, U		74			*DL	[AZ]
		2	J, T		74			*DL	[AZ]
	0QW041K5AA	2	B, U		74			*DL	[K5]
		2	J, T		74			*DL	[K5]
	0QW241AZAA	1	J, T		74			*M5	[AZ]
		1	J, T		74			*X5	[AZ]
		1	B, U		74			*M5	[AZ]
		1	J, T		72			*M5	[AZ]
	0QW241K5AA	1	J, T		74			*X5	[K5]
		1	B, U		74			*M5	[K5]
		1	J, T		72			*M5	[K5]
		1	J, T		74			*M5	[K5]
	0QW461AZAA	2	J, T		74			*XJ	[AZ]
		2	J, T		72			*XJ	[AZ]
		2	B, U		74			*XJ	[AZ]



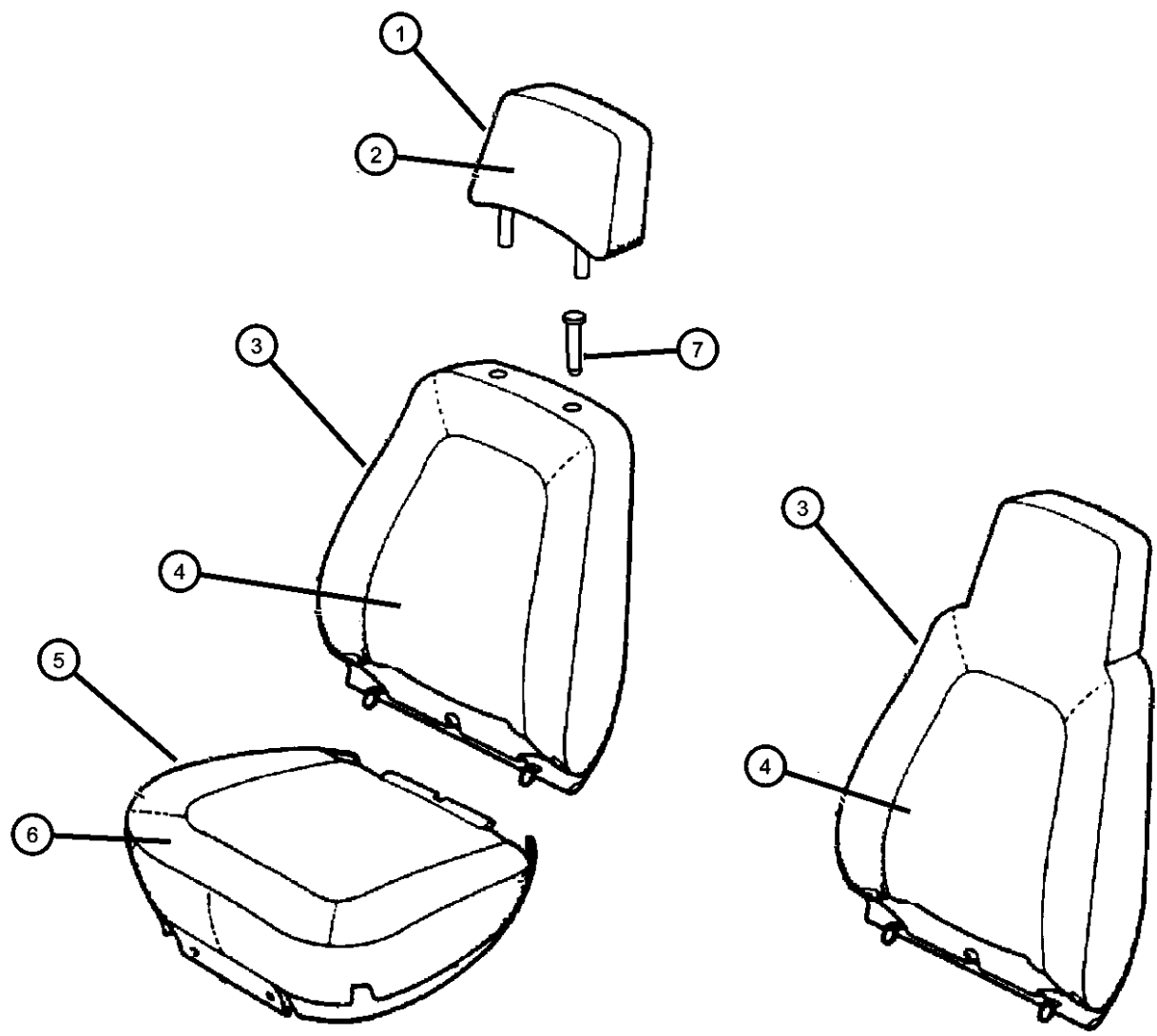
CHEROKEE (XJ)

SERIES	LINE	BODY	ENGINE	TRANSMISSION
H = Sport	T = JEEP - 2WD	74 = 4 Dr (101.4WB)	ENC = ENGINE - 2.5L 4 CYL TURBO DIESEL	DDD = TRANSMISSION - 5-SPEED HD MANUAL
L = SE	B = JEEP - 2WD (RHD)	72 = 2 Dr (101.4WB)	EPE = ENGINE - 2.5L POWER TECH I-4 Cyl.	DDQ = TRANSMISSION - 5-SPEED MANUAL
P = Classic	J = JEEP - 4WD		ERH = ENGINE - 4.0L POWER TECH I-6	DGD = TRANSMISSION - 3-SPD. AUTOMATIC,30RH
S = Limited	U = JEEP - 4WD (RHD)			DGK = TRANSMISSION - 4-SPD. AUTOMATIC,42RE
				DGS = TRANSMISSION-4SPD. AUTO,AISIN WARNER
				DGT = TRANSMISSION - 4-SPD. AUTOMATIC,46RE
				DGW = TRANSMISSION - 4-SPD. AUTOMATIC,44RE
				DGX = TRANSMISSION - 4-SPEED AUTOMATIC
				DBB = ALL MANUAL TRANSMISSIONS
				DGO = ALL AUTOMATIC TRANSMISSIONS

AR = use ase required - = Non illustrated part

Seat Covers and Seat Assemblies
Figure IXJ-510

ITEM	PART NUMBER	QTY	LINE	SERIES	BODY	ENGINE	TRANS	TRIM	DESCRIPTION
------	-------------	-----	------	--------	------	--------	-------	------	-------------



	0QW461K5AA	2	J, T		74			*XJ	[K5]
		2	J, T		72			*XJ	[K5]
		2	B, U		74			*XJ	[K5]
	0SN551AZAA	2	B, U		74			*DL	[AZ], Heated
		2	J, T		74			*DL	[AZ], Heated
	0SN551K5AA	2	J, T		74			*DL	[K5], Heated
		2	B, U		74			*DL	[K5], Heated
5									FRAME, Front Seat
	04856470	1	J, T		74			*M5	Right
		1	J, T		74			*DL	Right
		1	J, T		72			*XJ	Right
		1	B, U		74			*DL	Right
		1	J, T		74			*X5	Right
		1	B, U		74			*M5	Right
		1	B, U		74			*B6	Right
		1	J, T		74			*XJ	Right
		1	J, T, U		72			*B6	Right
		1	J, T		74			*B6	Right
		1	J, T		72			*M5	Right
		1	B, U		74			*XJ	Right
	04856471	1	J, T		74			*M5	Left
		1	J, T		74			*DL	Left
		1	J, T		72			*XJ	Left
		1	J, T		74			*X5	Left
		1	B, U		74			*M5	Left

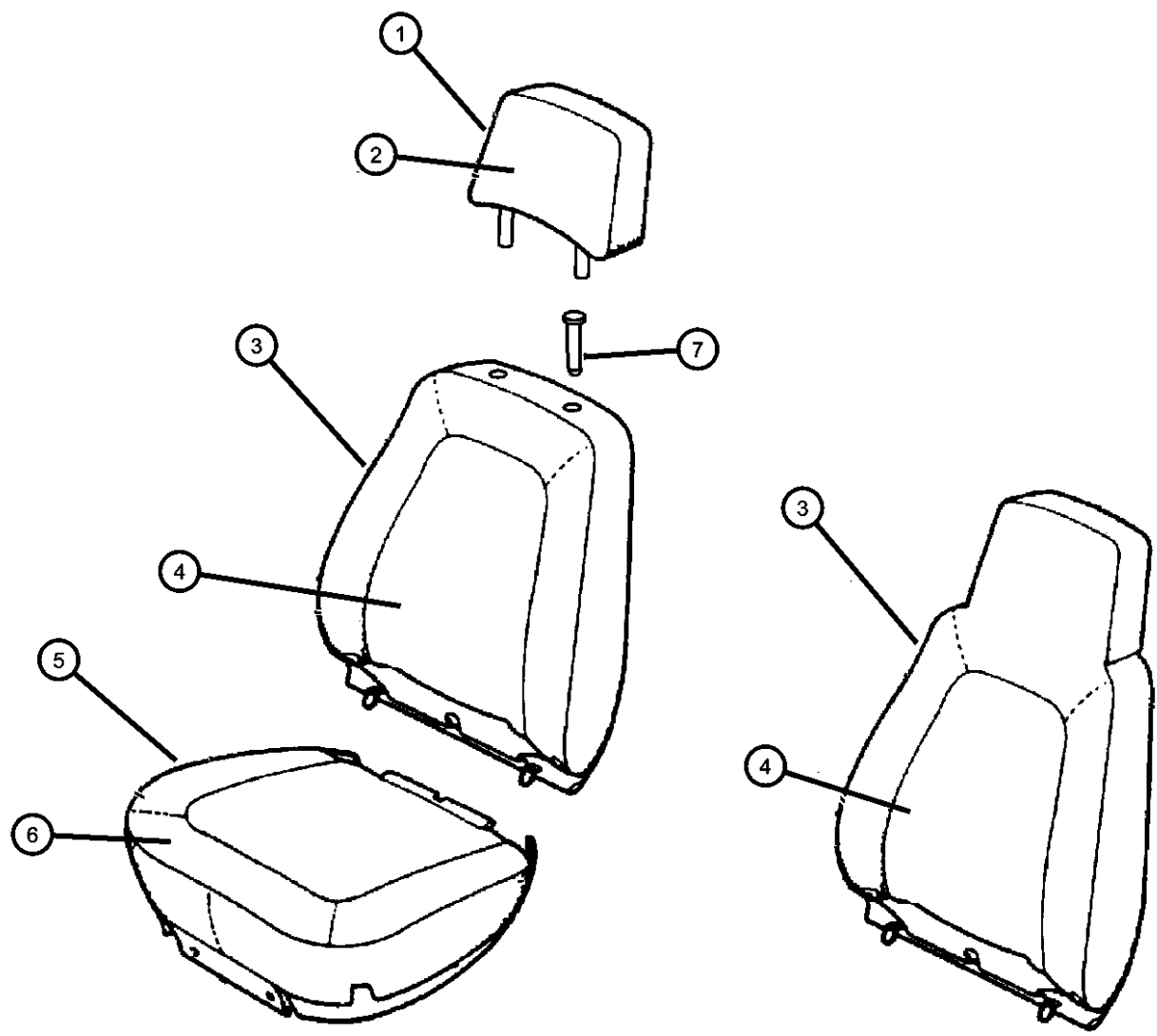
CHEROKEE (XJ)

SERIES	LINE	BODY	ENGINE	TRANSMISSION
H = Sport	T = JEEP - 2WD	74 = 4 Dr (101.4WB)	ENC = ENGINE - 2.5L 4 CYL TURBO DIESEL	DDD = TRANSMISSION - 5-SPEED HD MANUAL
L = SE	B = JEEP - 2WD (RHD)	72 = 2 Dr (101.4WB)	EPE = ENGINE - 2.5L POWER TECH I-4 Cyl.	DDQ = TRANSMISSION - 5-SPEED MANUAL
P = Classic	J = JEEP - 4WD		ERH = ENGINE - 4.0L POWER TECH I-6	DGD = TRANSMISSION - 3-SPD. AUTOMATIC,30RH
S = Limited	U = JEEP - 4WD (RHD)			DGK = TRANSMISSION - 4-SPD. AUTOMATIC,42RE
				DGS = TRANSMISSION-4SPD. AUTO,AISIN WARNER
				DGT = TRANSMISSION - 4-SPD. AUTOMATIC,46RE
				DGW = TRANSMISSION - 4-SPD. AUTOMATIC,44RE
				DGX = TRANSMISSION - 4-SPEED AUTOMATIC
				DBB = ALL MANUAL TRANSMISSIONS
				DGO = ALL AUTOMATIC TRANSMISSIONS

AR = use ase required - = Non illustrated part

Seat Covers and Seat Assemblies
Figure IXJ-510

ITEM	PART NUMBER	QTY	LINE	SERIES	BODY	ENGINE	TRANS	TRIM	DESCRIPTION
		1	B, U		74			*B6	Left
		1	J, T, U		72			*B6	Left
		1	B, U		74			*XJ	Left
		1	J, T		74			*B6	Left
		1	J, T		72			*M5	Left
		1	J, T		74			*XJ	Left
		1	B, U		74			*DL	Left
6									COVER AND PAD, Cushion
	0RG621AZAA	1	B, U		74			*B6	[AZ], Right
		1	J, T, U		72			*B6	[AZ], Right
		1	J, T		74			*B6	[AZ], Right
	0RG621K5AA	1	B, U		74			*B6	[K5], Right
		1	J, T, U		72			*B6	[K5], Right
		1	J, T		74			*B6	[K5], Right
	0RG631AZAA	1	B, U		74			*B6	[AZ], Left
		1	J, T, U		72			*B6	[AZ], Left
		1	J, T		74			*B6	[AZ], Left
	0RG631K5AA	1	B, U		74			*B6	[K5], Left
		1	J, T, U		72			*B6	[K5], Left
		1	J, T		74			*B6	[K5], Left
	0RG681AZAA	1	B, U		74			*DL	[AZ], Right
		1	J, T		74			*DL	[AZ], Right
	0RG681K5AA	1	B, U		74			*DL	[K5], Right
		1	J, T		74			*DL	[K5], Right
	0RG691AZAA	1	B, U		74			*DL	[AZ], Left



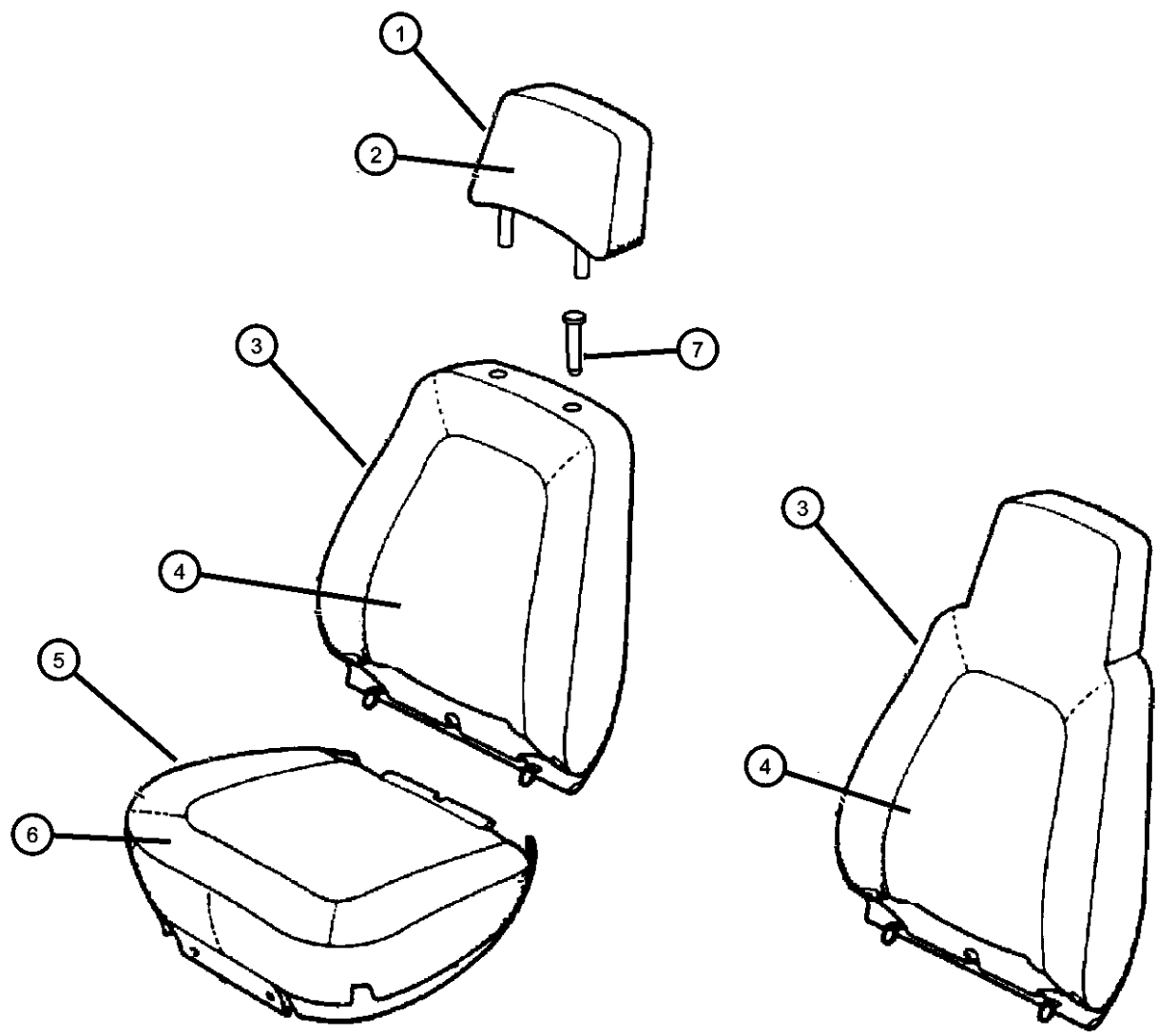
CHEROKEE (XJ)

SERIES	LINE	BODY	ENGINE	TRANSMISSION
H = Sport	T = JEEP - 2WD	74 = 4 Dr (101.4WB)	ENC = ENGINE - 2.5L 4 CYL TURBO DIESEL	DDD = TRANSMISSION - 5-SPEED HD MANUAL
L = SE	B = JEEP - 2WD (RHD)	72 = 2 Dr (101.4WB)	EPE = ENGINE - 2.5L POWER TECH I-4 Cyl.	DDQ = TRANSMISSION - 5-SPEED MANUAL
P = Classic	J = JEEP - 4WD		ERH = ENGINE - 4.0L POWER TECH I-6	DGD = TRANSMISSION - 3-SPD. AUTOMATIC,30RH
S = Limited	U = JEEP - 4WD (RHD)			DGK = TRANSMISSION - 4-SPD. AUTOMATIC,42RE
				DGS = TRANSMISSION-4SPD. AUTO,AISIN WARNER
				DGT = TRANSMISSION - 4-SPD. AUTOMATIC,46RE
				DGW = TRANSMISSION - 4-SPD. AUTOMATIC,44RE
				DGX = TRANSMISSION - 4-SPEED AUTOMATIC
				DBB = ALL MANUAL TRANSMISSIONS
				DGO = ALL AUTOMATIC TRANSMISSIONS

AR = use ase required - = Non illustrated part

Seat Covers and Seat Assemblies
Figure IXJ-510

ITEM	PART NUMBER	QTY	LINE	SERIES	BODY	ENGINE	TRANS	TRIM	DESCRIPTION
		1	J, T		74			*DL	[AZ], Left
	0RG691K5AA	1	B, U		74			*DL	[K5], Left
		1	J, T		74			*DL	[K5], Left
	0RG701AZAA	1	B, U		74			*M5	[AZ], Right
		1	J, T		74			*X5	[AZ], Right
		1	J, T		72			*M5	[AZ], Right
		1	J, T		74			*M5	[AZ], Right
	0RG701K5AA	1	J, T		74			*M5	[K5], Right
		1	J, T		74			*X5	[K5], Right
		1	B, U		74			*M5	[K5], Right
		1	J, T		72			*M5	[K5], Right
	0RG711AZAA	1	J, T		74			*M5	[AZ], Left
		1	J, T		74			*X5	[AZ], Left
		1	J, T		72			*M5	[AZ], Left
		1	B, U		74			*M5	[AZ], Left
	0RG711K5AA	1	J, T		74			*M5	[K5], Left
		1	B, U		74			*M5	[K5], Left
		1	J, T		74			*X5	[K5], Left
		1	J, T		72			*M5	[K5], Left
	0RG721AZAA	1	J, T		72			*XJ	[AZ], Right
		1	J, T		74			*XJ	[AZ], Right
		1	B, U		74			*XJ	[AZ], Right
	0RG721K5AA	1	J, T		72			*XJ	[K5], Right
		1	B, U		74			*XJ	[K5], Right
		1	J, T		74			*XJ	[K5], Right



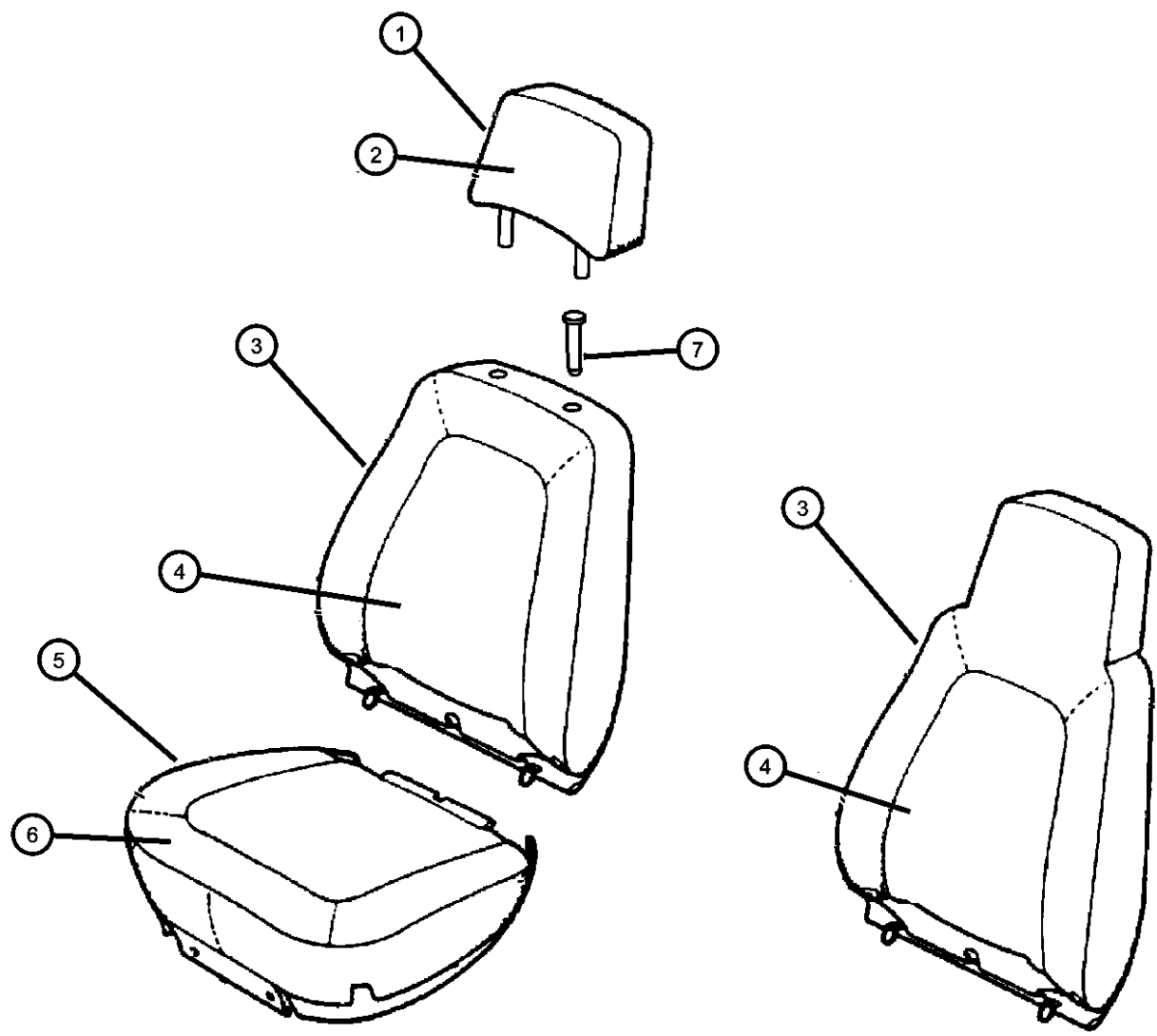
CHEROKEE (XJ)

SERIES	LINE	BODY	ENGINE	TRANSMISSION
H = Sport	T = JEEP - 2WD	74 = 4 Dr (101.4WB)	ENC = ENGINE - 2.5L 4 CYL TURBO DIESEL	DDD = TRANSMISSION - 5-SPEED HD MANUAL
L = SE	B = JEEP - 2WD (RHD)	72 = 2 Dr (101.4WB)	EPE = ENGINE - 2.5L POWER TECH I-4 Cyl.	DDQ = TRANSMISSION - 5-SPEED MANUAL
P = Classic	J = JEEP - 4WD		ERH = ENGINE - 4.0L POWER TECH I-6	DGD = TRANSMISSION - 3-SPD. AUTOMATIC,30RH
S = Limited	U = JEEP - 4WD (RHD)			DGK = TRANSMISSION - 4-SPD. AUTOMATIC,42RE
				DGS = TRANSMISSION-4SPD. AUTO,AISIN WARNER
				DGT = TRANSMISSION - 4-SPD. AUTOMATIC,46RE
				DGW = TRANSMISSION - 4-SPD. AUTOMATIC,44RE
				DGX = TRANSMISSION - 4-SPEED AUTOMATIC
				DBB = ALL MANUAL TRANSMISSIONS
				DGO = ALL AUTOMATIC TRANSMISSIONS

AR = use ase required - = Non illustrated part

Seat Covers and Seat Assemblies
Figure IXJ-510

ITEM	PART NUMBER	QTY	LINE	SERIES	BODY	ENGINE	TRANS	TRIM	DESCRIPTION
	0RG731AZAA	1	J, T		72			*XJ	[AZ], Left
		1	J, T		74			*XJ	[AZ], Left
		1	B, U		74			*XJ	[AZ], Left
	0RG731K5AA	1	J, T		72			*XJ	[K5], Left
		1	J, T		74			*XJ	[K5], Left
		1	B, U		74			*XJ	[K5], Left
	0SN901AZAA	1	J, T		74			*DL	[AZ], Heated, Right
		1	B, U		74			*DL	[AZ], Heated, Right
	0SN901K5AA	1	J, T		74			*DL	[K5], Heated, Right
		1	B, U		74			*DL	[K5], Heated, Right
	0SN911AZAA	1	J, T		74			*DL	[AZ], Heated, Left
		1	B, U		74			*DL	[AZ], Heated, Left
	0SN911K5AA	1	J, T		74			*DL	[K5], Heated, Left
		1	B, U		74			*DL	[K5], Heated, Left
7	05013152AA	1	B, U		74			*DL	CYLINDER, Headrest
		4	J, T		74			*DL	
		4	J, T		74			*XJ	
		4	J, T		72			*XJ	
		4	B, U		74			*XJ	

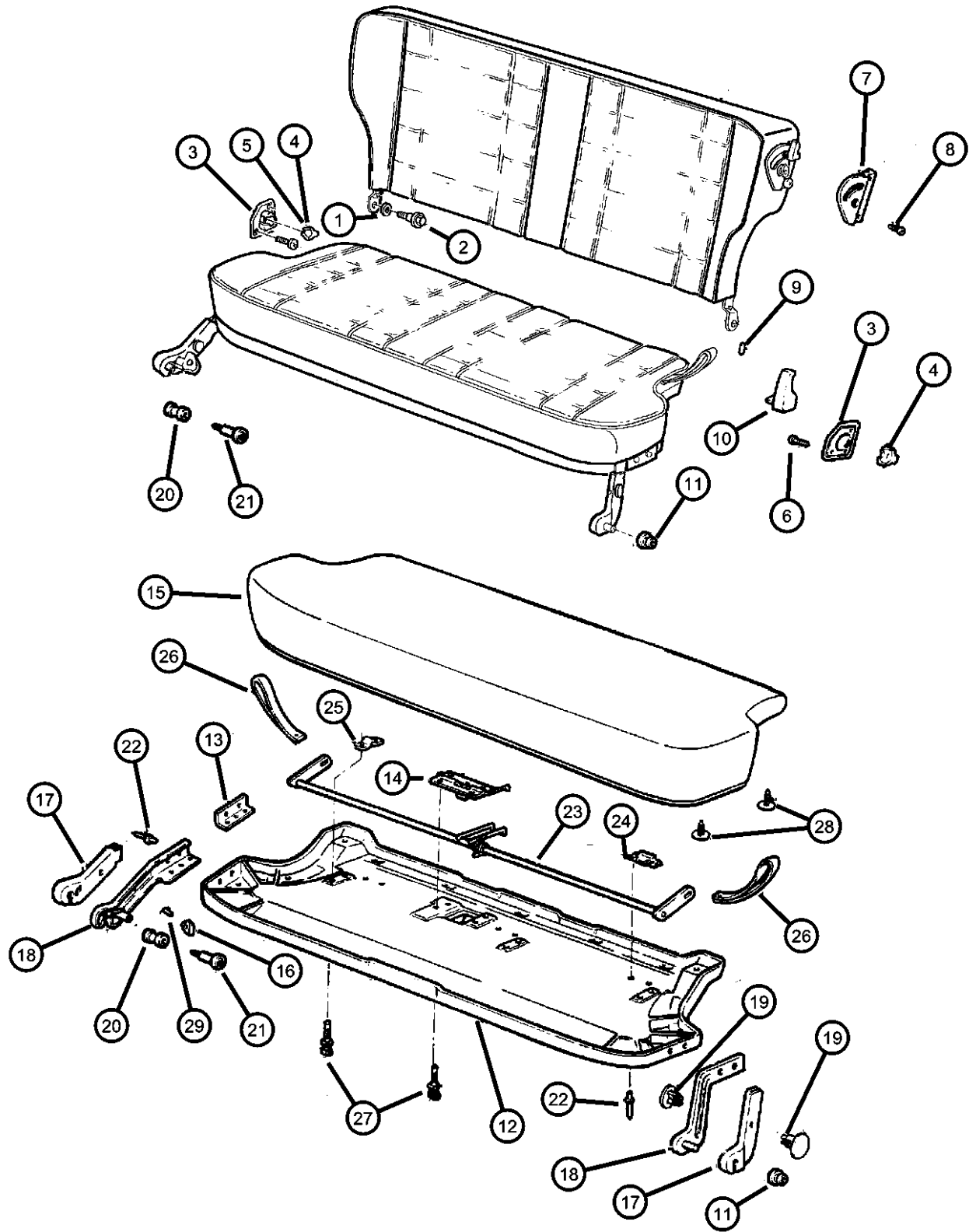


CHEROKEE (XJ)

SERIES	LINE	BODY	ENGINE	TRANSMISSION
H = Sport	T = JEEP - 2WD	74 = 4 Dr (101.4WB)	ENC = ENGINE - 2.5L 4 CYL TURBO DIESEL	DDD = TRANSMISSION - 5-SPEED HD MANUAL
L = SE	B = JEEP - 2WD (RHD)	72 = 2 Dr (101.4WB)	EPE = ENGINE - 2.5L POWER TECH I-4 Cyl.	DDQ = TRANSMISSION - 5-SPEED MANUAL
P = Classic	J = JEEP - 4WD		ERH = ENGINE - 4.0L POWER TECH I-6	DGD = TRANSMISSION - 3-SPD. AUTOMATIC,30RH
S = Limited	U = JEEP - 4WD (RHD)			DGK = TRANSMISSION - 4-SPD. AUTOMATIC,42RE
				DGS = TRANSMISSION-4SPD. AUTO,AISIN WARNER
				DGT = TRANSMISSION - 4-SPD. AUTOMATIC,46RE
				DGW = TRANSMISSION - 4-SPD. AUTOMATIC,44RE
				DGX = TRANSMISSION - 4-SPEED AUTOMATIC
				DBB = ALL MANUAL TRANSMISSIONS
				DGO = ALL AUTOMATIC TRANSMISSIONS

AR = use ase required - = Non illustrated part

Frame and Pad
Figure IXJ-610



ITEM	PART NUMBER	QTY	LINE	SERIES	BODY	ENGINE	TRANS	TRIM	DESCRIPTION
1	55005617	1							SPACER, Seat Back Pivot
2	06505739AA	2							SCREW
3									BRACKET, Seat Lock Striker
	55195980AB	1							Right
	55195981AB	1							Left
4	55001212	1							BUMPER, Latch Striker
5	55001213	1							BUMPER, Seat Back
6									SCREW, Pan Head Torx, M5x0.8x30.00
	34202189	6	J, T						
		8	B, U						
7									BEZEL, Seat Latch
	5AC661AZ	1	J, T		74			*M5	[AZ], Right
		1	J, T		74			*DL	[AZ], Right
		1	J, T		72			*XJ	[AZ], Right
		1	J, T		74			*XJ	[AZ], Right
		1	J, T		72			*M5	[AZ], Right
		1	B, U		74			*DL	[AZ], Right
		1	B, U		74			*XJ	[AZ], Right
		1	J, T		74			*X5	[AZ], Right
		1	B, U		74			*M5	[AZ], Right
		1	B, U		74			*B6	[AZ], Right
		1	J, T		74			*B6	[AZ], Right
	5AC661K5	1	J, T, U		72			*B6	[AZ], Right
		1	J, T		74			*M5	[K5], Right
		1	J, T		74			*DL	[K5], Right

CHEROKEE (XJ)

SERIES

H = Sport
L = SE
P = Classic
S = Limited

LINE

T = JEEP - 2WD
B = JEEP - 2WD (RHD)
J = JEEP - 4WD
U = JEEP - 4WD (RHD)

BODY

74 = 4 Dr (101.4WB)
72 = 2 Dr (101.4WB)

ENGINE

ENC = ENGINE - 2.5L 4 CYL TURBO DIESEL
EPE = ENGINE - 2.5L POWER TECH I-4 Cyl.
ERH = ENGINE - 4.0L POWER TECH I-6

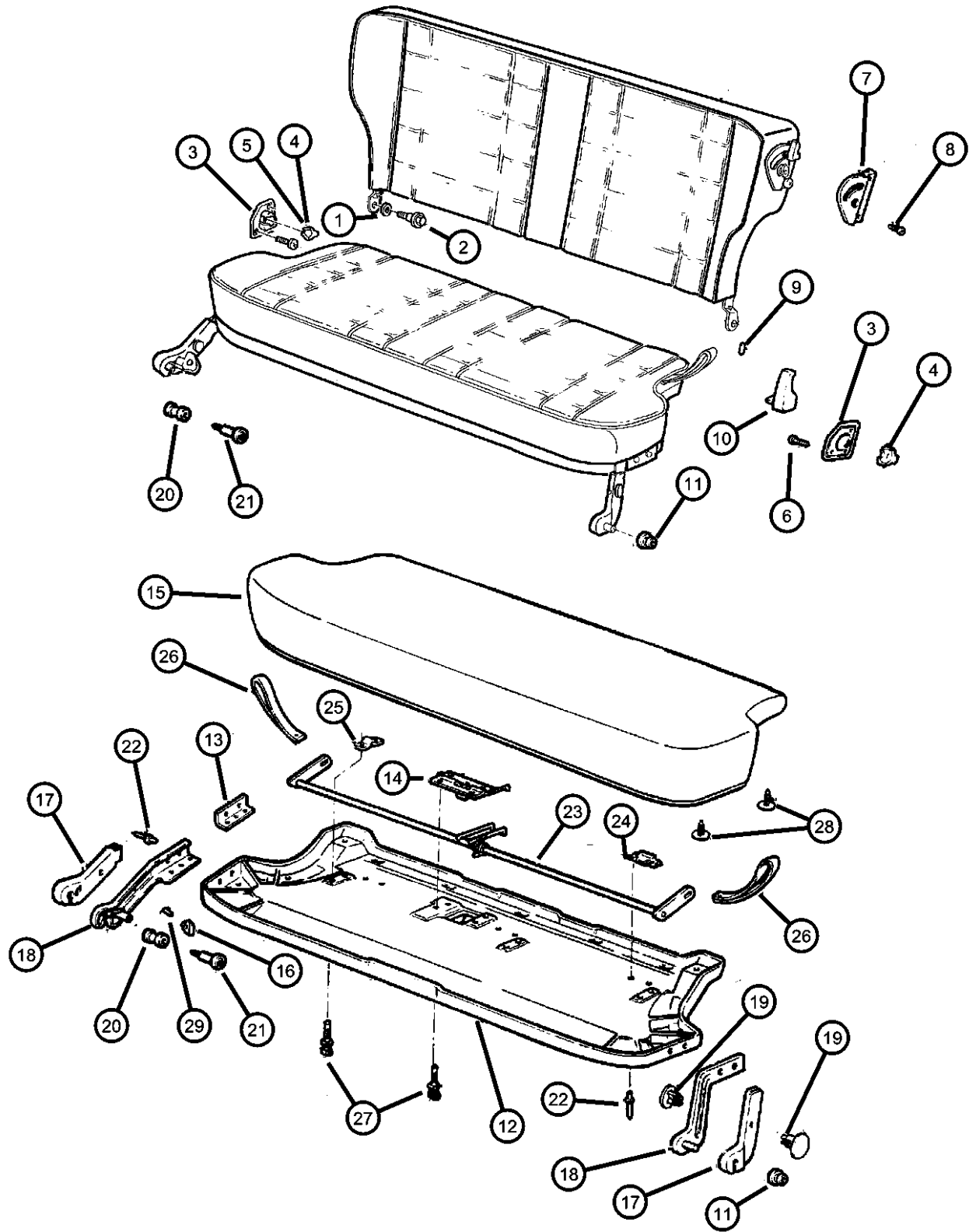
TRANSMISSION

DDD = TRANSMISSION - 5-SPEED HD MANUAL
DDQ = TRANSMISSION - 5-SPEED MANUAL
DGD = TRANSMISSION - 3-SPD. AUTOMATIC,30RH
DGK = TRANSMISSION - 4-SPD. AUTOMATIC,42RE
DGS = TRANSMISSION-4SPD. AUTO,AISIN WARNER
DGT = TRANSMISSION - 4-SPD. AUTOMATIC,46RE
DGW = TRANSMISSION - 4-SPD. AUTOMATIC,44RE
DGX = TRANSMISSION - 4-SPEED AUTOMATIC
DBB = ALL MANUAL TRANSMISSIONS
DGO = ALL AUTOMATIC TRANSMISSIONS

AR = use ase required - = Non illustrated part

2000 XJ

Frame and Pad
Figure IXJ-610



ITEM	PART NUMBER	QTY	LINE	SERIES	BODY	ENGINE	TRANS	TRIM	DESCRIPTION
------	-------------	-----	------	--------	------	--------	-------	------	-------------

		1	J, T		72			*XJ	[K5], Right
		1	J, T		74			*XJ	[K5], Right
		1	J, T		72			*M5	[K5], Right
		1	B, U		74			*XJ	[K5], Right
		1	J, T		74			*X5	[K5], Right
		1	B, U		74			*M5	[K5], Right
		1	B, U		74			*B6	[K5], Right
		1	B, U		74			*DL	[K5], Right
		1	J, T		74			*B6	[K5], Right
		1	J, T, U		72			*B6	[K5], Right
	5AC671AZ	1	J, T		74			*M5	[AZ], Left
		1	J, T		74			*DL	[AZ], Left
		1	J, T		72			*XJ	[AZ], Left
		1	J, T		72			*M5	[AZ], Left
		1	B, U		74			*DL	[AZ], Left
		1	B, U		74			*XJ	[AZ], Left
		1	J, T		74			*X5	[AZ], Left
		1	B, U		74			*M5	[AZ], Left
		1	B, U		74			*B6	[AZ], Left
		1	J, T		74			*XJ	[AZ], Left
		1	J, T, U		72			*B6	[AZ], Left
	5AC671K5	1	J, T		74			*B6	[AZ], Left
		1	J, T		74			*DL	[K5], Left
		1	J, T		72			*XJ	[K5], Left

CHEROKEE (XJ)

SERIES LINE
H = Sport T = JEEP - 2WD
L = SE B = JEEP - 2WD (RHD)
P = Classic J = JEEP - 4WD
S = Limited U = JEEP - 4WD (RHD)

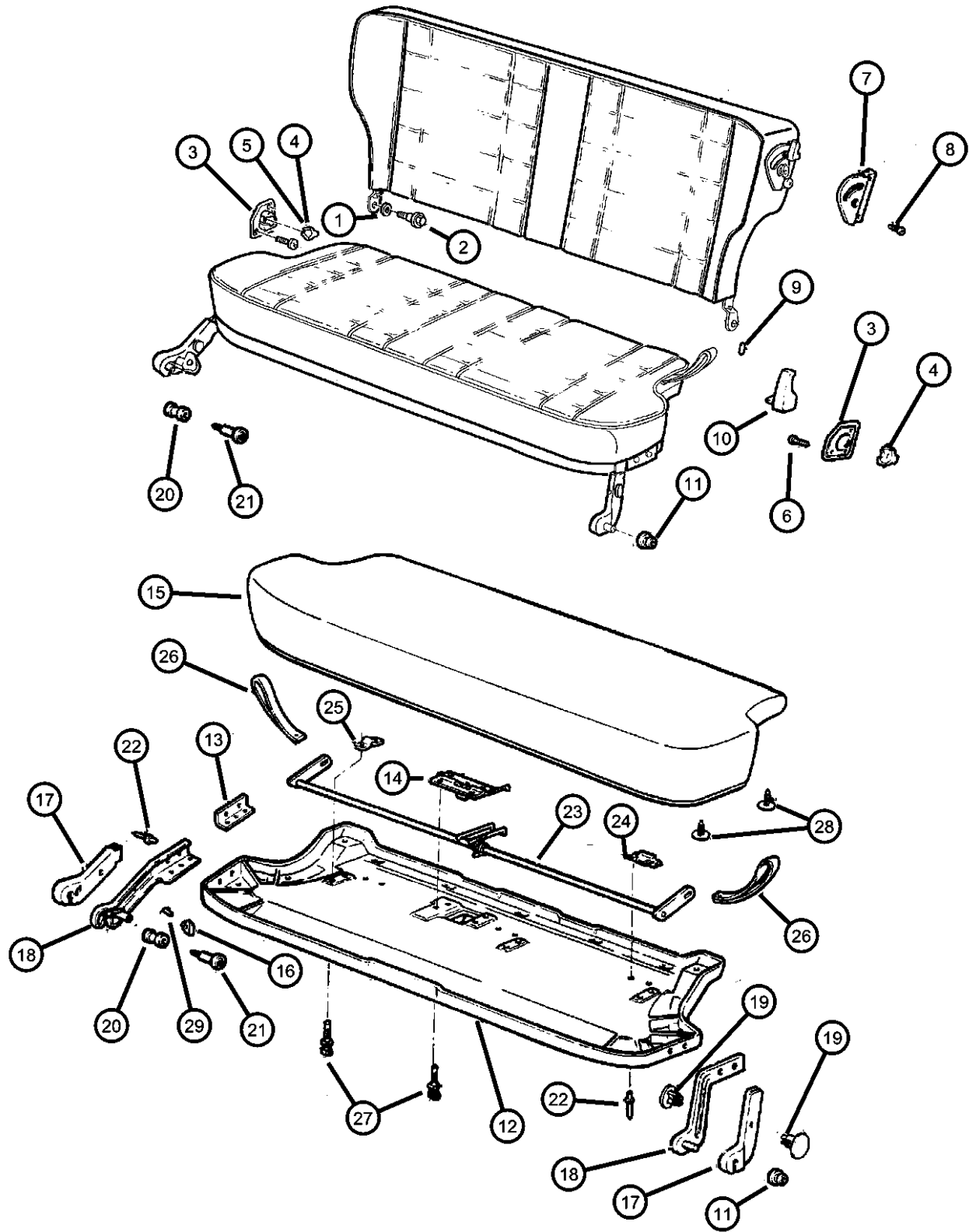
BODY
74 = 4 Dr (101.4WB)
72 = 2 Dr (101.4WB)

ENGINE
ENC = ENGINE - 2.5L 4 CYL TURBO DIESEL
EPE = ENGINE - 2.5L POWER TECH I-4 Cyl.
ERH = ENGINE - 4.0L POWER TECH I-6

TRANSMISSION
DDD = TRANSMISSION - 5-SPEED HD MANUAL
DDQ = TRANSMISSION - 5-SPEED MANUAL
DGD = TRANSMISSION - 3-SPD. AUTOMATIC,30RH
DGK = TRANSMISSION - 4-SPD. AUTOMATIC,42RE
DGS = TRANSMISSION-4SPD. AUTO,AISIN WARNER
DGT = TRANSMISSION - 4-SPD. AUTOMATIC,46RE
DGW = TRANSMISSION - 4-SPD. AUTOMATIC,44RE
DGX = TRANSMISSION - 4-SPEED AUTOMATIC
DBB = ALL MANUAL TRANSMISSIONS
DGO = ALL AUTOMATIC TRANSMISSIONS

AR = use ase required - = Non illustrated part

Frame and Pad
Figure IXJ-610



ITEM	PART NUMBER	QTY	LINE	SERIES	BODY	ENGINE	TRANS	TRIM	DESCRIPTION
		1	J, T		72			*M5	[K5], Left
		1	B, U		74			*DL	[K5], Left
		1	B, U		74			*XJ	[K5], Left
		1	J, T		74			*X5	[K5], Left
		1	B, U		74			*M5	[K5], Left
		1	B, U		74			*B6	[K5], Left
		1	J, T		74			*XJ	[K5], Left
		1	J, T, U		72			*B6	[K5], Left
		1	J, T		74			*B6	[K5], Left
8									SCREW, Tapping Round Head, .164x18x1.232
	34201314	4	J, T, U		72				
		4			74				
9									SPRING, Pin
	J0455735	1	J, T		74			*DL	
		1	J, T		72			*XJ	
		1	J, T		72			*M5	
		1	J, T		74			*M5	
		1	B, U		74			*XJ	
		1	B, U		74			*M5	
		1	B, U		74			*B6	
		1	J, T		74			*X5	
		1	B, U		74			*DL	
		1	J, T		74			*XJ	
		1	J, T		74			*B6	

CHEROKEE (XJ)

SERIES LINE
H = Sport T = JEEP - 2WD
L = SE B = JEEP - 2WD (RHD)
P = Classic J = JEEP - 4WD
S = Limited U = JEEP - 4WD (RHD)

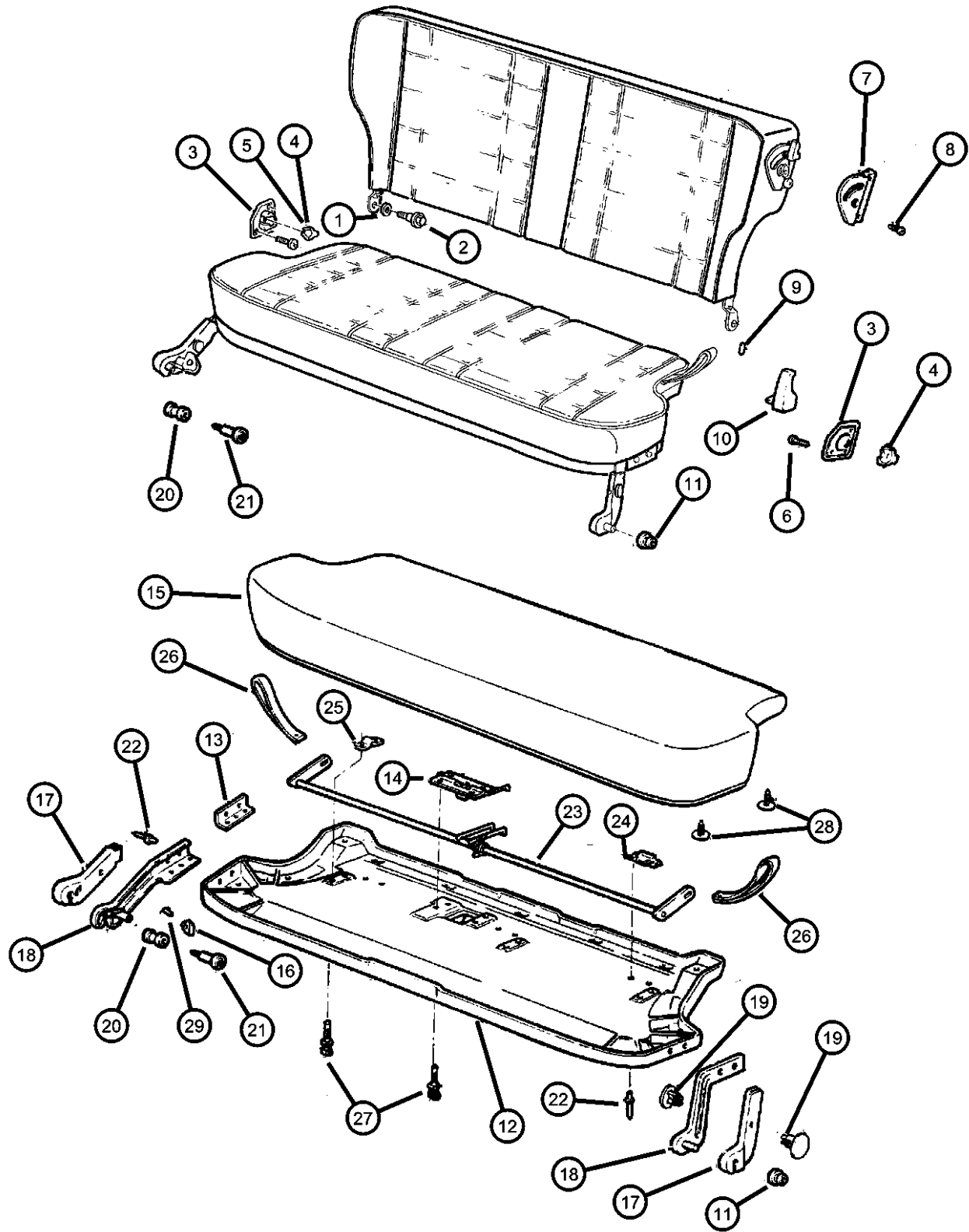
BODY
74 = 4 Dr (101.4WB)
72 = 2 Dr (101.4WB)

ENGINE TRANSMISSION
ENC = ENGINE - 2.5L 4 CYL TURBO DIESEL
EPE = ENGINE - 2.5L POWER TECH I-4 Cyl.
ERH = ENGINE - 4.0L POWER TECH I-6
DDD = TRANSMISSION - 5-SPEED HD MANUAL
DDQ = TRANSMISSION - 5-SPEED MANUAL
DGD = TRANSMISSION - 3-SPD. AUTOMATIC,30RH
DGK = TRANSMISSION - 4-SPD. AUTOMATIC,42RE
DGS = TRANSMISSION-4SPD. AUTO,AISIN WARNER
DGT = TRANSMISSION - 4-SPD. AUTOMATIC,46RE
DGW = TRANSMISSION - 4-SPD. AUTOMATIC,44RE
DGX = TRANSMISSION - 4-SPEED AUTOMATIC
DBB = ALL MANUAL TRANSMISSIONS
DGO = ALL AUTOMATIC TRANSMISSIONS

AR = use ase required - = Non illustrated part

2000 XJ

Frame and Pad
Figure IXJ-610



ITEM	PART NUMBER	QTY	LINE	SERIES	BODY	ENGINE	TRANS	TRIM	DESCRIPTION
------	-------------	-----	------	--------	------	--------	-------	------	-------------

10									KNOB, Seat Back Latch
	0QC041AZ	1	J, T		74			*M5	[AZ], Right
		1	J, T		74			*DL	[AZ], Right
		1	J, T		72			*XJ	[AZ], Right
		1	J, T		72			*M5	[AZ], Right
		1	B, U		74			*DL	[K5], Right
		1	B, U		74			*XJ	[AZ], Right
		1	J, T		74			*X5	[AZ], Right
		1	B, U		74			*M5	[AZ], Right
		1	B, U		74			*B6	[AZ], Right
		1	J, T		74			*XJ	[AZ], Right
		1	J, T, U		72			*B6	[AZ], Right
		1	J, T		74			*B6	[AZ], Right
	0QC041K5	1	B, U		74			*DL	[AZ], Right
		1	J, T		74			*M5	[K5], Right
		1	J, T		72			*XJ	[K5], Right
		1	J, T		72			*M5	[K5], Right
		1	B, U		74			*XJ	[K5], Right
		1	J, T		74			*X5	[K5], Right
		1	B, U		74			*M5	[K5], Right
		1	B, U		74			*B6	[K5], Right
		1	J, T		74			*XJ	[K5], Right
		1	J, T, U		72			*B6	[K5], Right
		1	J, T		74			*DL	[K5], Right
		1	J, T		74			*B6	[K5], Right

CHEROKEE (XJ)

SERIES	LINE
H = Sport	T = JEEP - 2WD
L = SE	B = JEEP - 2WD (RHD)
P = Classic	J = JEEP - 4WD
S = Limited	U = JEEP - 4WD (RHD)

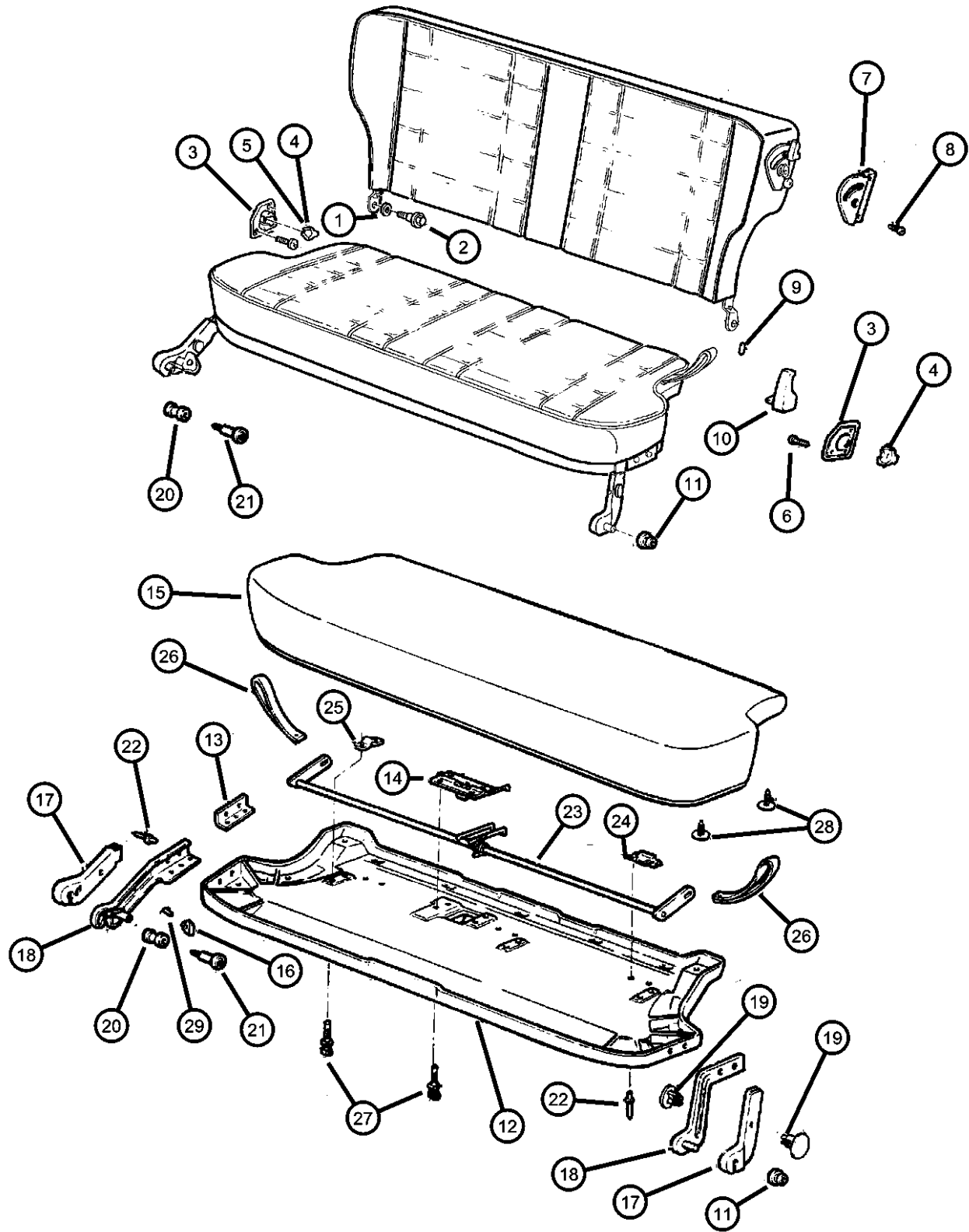
BODY
74 = 4 Dr (101.4WB)
72 = 2 Dr (101.4WB)

ENGINE	TRANSMISSION
ENC = ENGINE - 2.5L 4 CYL TURBO DIESEL	DDD = TRANSMISSION - 5-SPEED HD MANUAL
EPE = ENGINE - 2.5L POWER TECH I-4 Cyl.	DDQ = TRANSMISSION - 5-SPEED MANUAL
ERH = ENGINE - 4.0L POWER TECH I-6	DGD = TRANSMISSION - 3-SPD. AUTOMATIC,30RH
	DGK = TRANSMISSION - 4-SPD. AUTOMATIC,42RE
	DGS = TRANSMISSION-4SPD. AUTO,AISIN WARNER
	DGT = TRANSMISSION - 4-SPD. AUTOMATIC,46RE
	DGW = TRANSMISSION - 4-SPD. AUTOMATIC,44RE
	DGX = TRANSMISSION - 4-SPEED AUTOMATIC
	DBB = ALL MANUAL TRANSMISSIONS
	DGO = ALL AUTOMATIC TRANSMISSIONS

AR = use ase required - = Non illustrated part

2000 XJ

Frame and Pad
Figure IXJ-610



ITEM	PART NUMBER	QTY	LINE	SERIES	BODY	ENGINE	TRANS	TRIM	DESCRIPTION
	0QC051AZ	1	J, T		74			*M5	[AZ], Left
		1	J, T		74			*DL	[AZ], Left
		1	J, T		72			*XJ	[AZ], Left
		1	J, T		72			*M5	[AZ], Left
		1	B, U		74			*DL	[AZ], Left
		1	B, U		74			*XJ	[AZ], Left
		1	J, T		74			*X5	[AZ], Left
		1	B, U		74			*M5	[AZ], Left
		1	B, U		74			*B6	[AZ], Left
		1	J, T		74			*XJ	[AZ], Left
		1	J, T, U		72			*B6	[AZ], Left
	0QC051K5	1	J, T		74			*B6	[AZ], Left
		1	J, T		72			*XJ	[K5], Left
		1	J, T		72			*M5	[K5], Left
		1	J, T		74			*M5	[K5], Left
		1	B, U		74			*DL	[K5], Left
		1	B, U		74			*XJ	[K5], Left
		1	J, T		74			*X5	[K5], Left
		1	B, U		74			*M5	[K5], Left
		1	B, U		74			*B6	[K5], Left
		1	J, T		74			*XJ	[K5], Left
		1	J, T, U		72			*B6	[K5], Left
		1	J, T		74			*DL	[K5], Left
11	55001230	1	J, T		74			*B6	[K5], Left
									GROMMET, Rear Seat

CHEROKEE (XJ)

SERIES LINE
H = Sport T = JEEP - 2WD
L = SE B = JEEP - 2WD (RHD)
P = Classic J = JEEP - 4WD
S = Limited U = JEEP - 4WD (RHD)

BODY
74 = 4 Dr (101.4WB)
72 = 2 Dr (101.4WB)

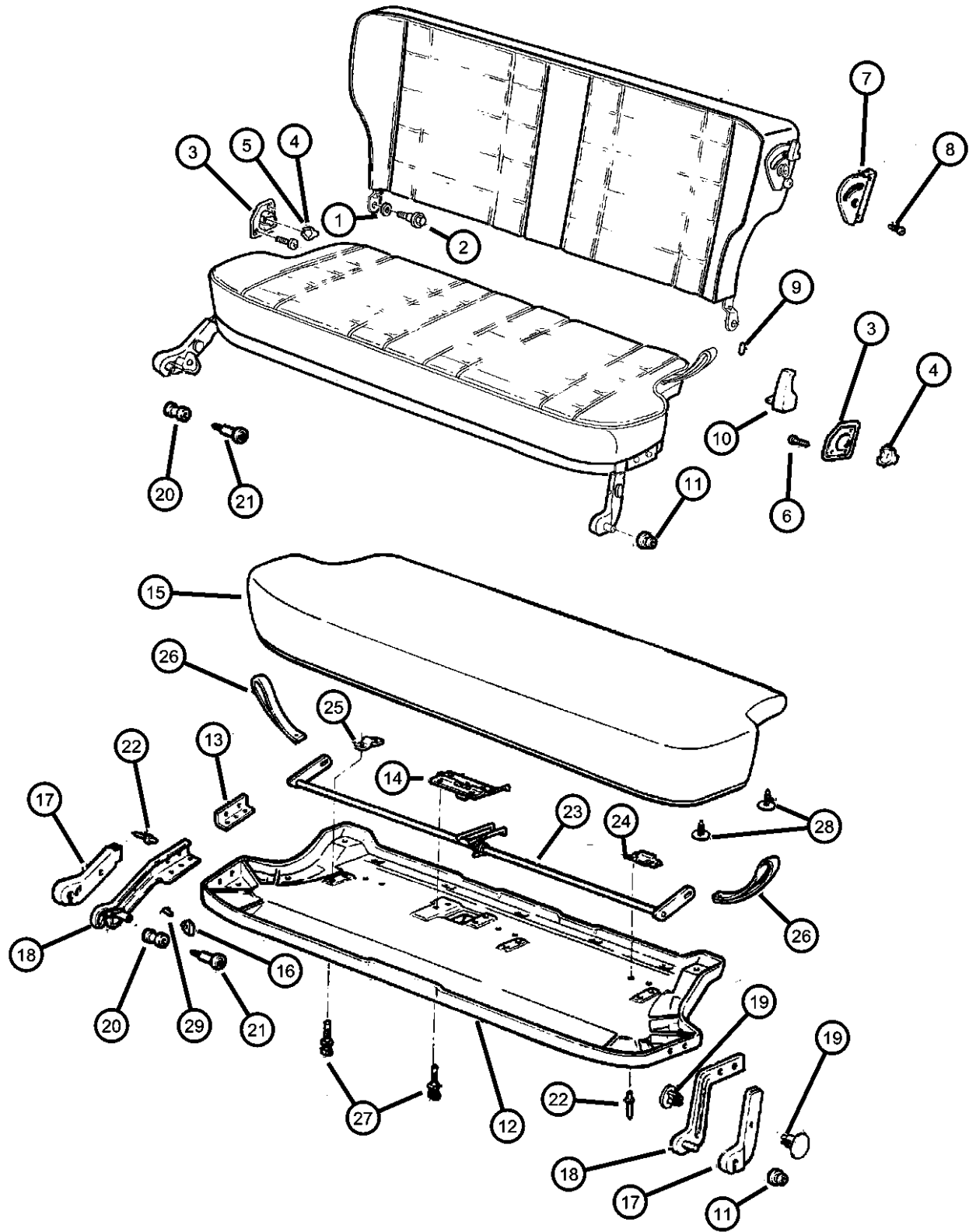
ENGINE
ENC = ENGINE - 2.5L 4 CYL
TURBO DIESEL
EPE = ENGINE - 2.5L POWER
TECH I-4 Cyl.
ERH = ENGINE - 4.0L
POWER TECH I-6

TRANSMISSION
DDD = TRANSMISSION - 5-SPEED
HD MANUAL
DDQ = TRANSMISSION - 5-SPEED
MANUAL
DGD = TRANSMISSION - 3-SPD.
AUTOMATIC,30RH
DGK = TRANSMISSION - 4-SPD.
AUTOMATIC,42RE
DGS = TRANSMISSION-4SPD.
AUTO,AISIN WARNER
DGT = TRANSMISSION - 4-SPD.
AUTOMATIC,46RE
DGW = TRANSMISSION - 4-SPD.
AUTOMATIC,44RE
DGX = TRANSMISSION - 4-SPEED
AUTOMATIC
DBB = ALL MANUAL
TRANSMISSIONS
DGO = ALL AUTOMATIC
TRANSMISSIONS

AR = use ase required - = Non illustrated part

2000 XJ

Frame and Pad
Figure IXJ-610



ITEM	PART NUMBER	QTY	LINE	SERIES	BODY	ENGINE	TRANS	TRIM	DESCRIPTION
12	05015244AA	1	J, T, U		72			*B6	PANEL, Seat Cushion
		1	J, T		74			*DL	
		1	J, T		72			*M5	
		1	J, T		74			*M5	
		1	J, T		74			*XJ	
		1	J, T		72			*XJ	
		1	B, U		74			*XJ	
		1	J, T		74			*X5	
		1	B, U		74			*M5	
		1	B, U		74			*B6	
		1	B, U		74			*DL	
13	55002833	1	J, T		74			*B6	REINFORCEMENT, Seat Cushion Hinge
		1	J, T		72			*M5	
		2	B, U		74			*DL	
		1	B, U		74			*XJ	
		1	J, T		74			*X5	
		1	B, U		74			*M5	
		1	B, U		74			*B6	
		1	J, T		74			*DL	
		1	J, T		74			*XJ	
		1	J, T, U		72			*B6	

CHEROKEE (XJ)

SERIES

H = Sport
L = SE
P = Classic
S = Limited

LINE

T = JEEP - 2WD
B = JEEP - 2WD (RHD)
J = JEEP - 4WD
U = JEEP - 4WD (RHD)

BODY

74 = 4 Dr (101.4WB)
72 = 2 Dr (101.4WB)

ENGINE

ENC = ENGINE - 2.5L 4 CYL TURBO DIESEL
EPE = ENGINE - 2.5L POWER TECH I-4 Cyl.
ERH = ENGINE - 4.0L POWER TECH I-6

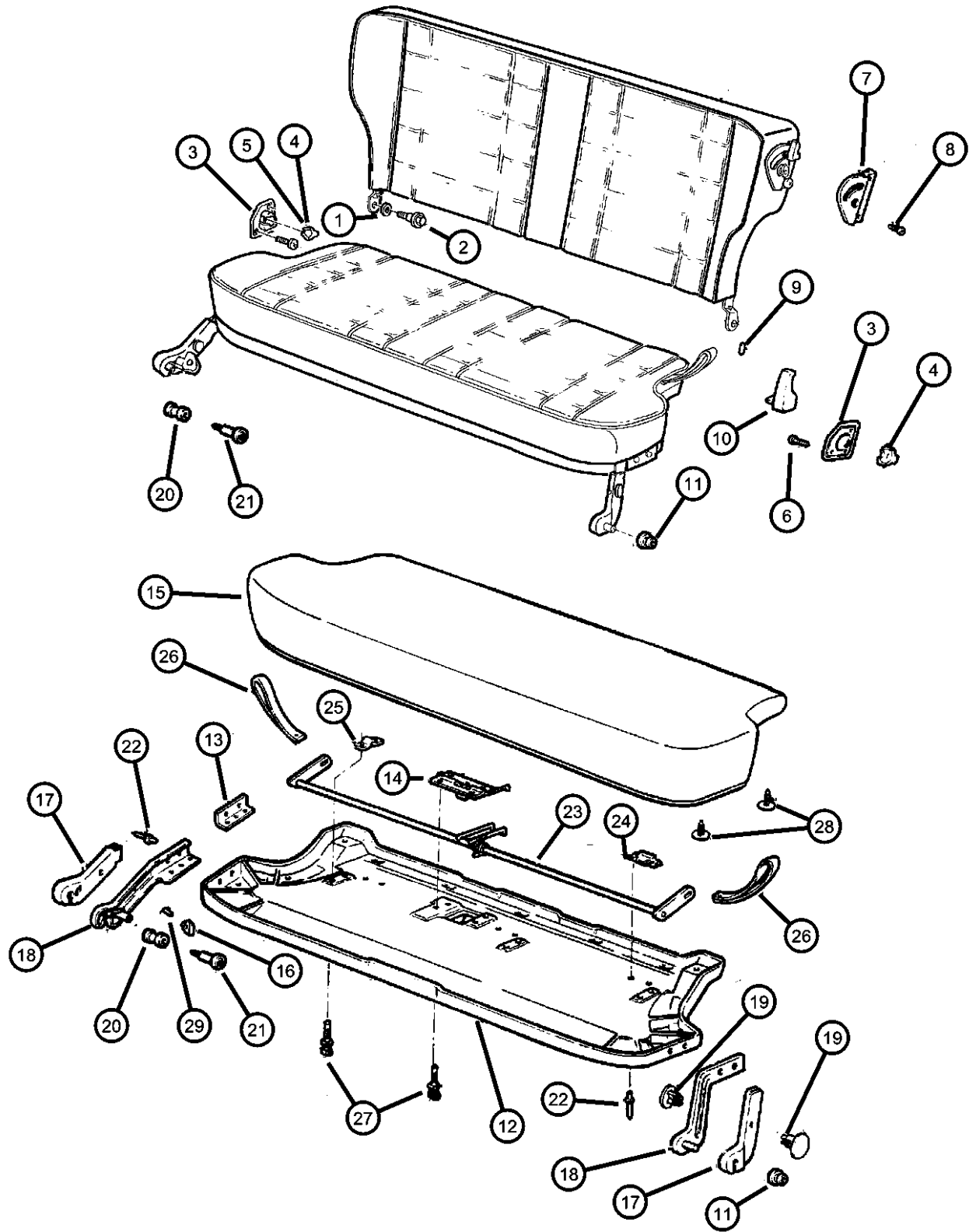
TRANSMISSION

DDD = TRANSMISSION - 5-SPEED HD MANUAL
DDQ = TRANSMISSION - 5-SPEED MANUAL
DGD = TRANSMISSION - 3-SPD. AUTOMATIC,30RH
DGK = TRANSMISSION - 4-SPD. AUTOMATIC,42RE
DGS = TRANSMISSION-4SPD. AUTO,AISIN WARNER
DGT = TRANSMISSION - 4-SPD. AUTOMATIC,46RE
DGW = TRANSMISSION - 4-SPD. AUTOMATIC,44RE
DGX = TRANSMISSION - 4-SPEED AUTOMATIC
DBB = ALL MANUAL TRANSMISSIONS
DGO = ALL AUTOMATIC TRANSMISSIONS

AR = use ase required - = Non illustrated part

2000 XJ

Frame and Pad
Figure IXJ-610



ITEM	PART NUMBER	QTY	LINE	SERIES	BODY	ENGINE	TRANS	TRIM	DESCRIPTION
14	55195372	2	J, T		72			*XJ	LATCH, Seat
		1	J, T		74			*B6	
		1	J, T		74			*M5	
		1	J, T		74			*DL	
		1	J, T		72			*XJ	
		1	J, T		74			*XJ	
		1	J, T		72			*M5	
		1	B, U		74			*XJ	
		1	J, T		74			*X5	
		1	B, U		74			*M5	
15	05015225AA	1	J, T, U		72			*B6	PAD, Rear Seat Cushion
		1	J, T		74			*DL	
		1	J, T		72			*M5	
		1	J, T		74			*M5	
		1	J, T		74			*XJ	
		1	J, T		72			*XJ	
		1	B, U		74			*XJ	
		1	J, T		74			*X5	
		1	B, U		74			*M5	

CHEROKEE (XJ)

SERIES

H = Sport
L = SE
P = Classic
S = Limited

LINE

T = JEEP - 2WD
B = JEEP - 2WD (RHD)
J = JEEP - 4WD
U = JEEP - 4WD (RHD)

BODY

74 = 4 Dr (101.4WB)
72 = 2 Dr (101.4WB)

ENGINE

ENC = ENGINE - 2.5L 4 CYL TURBO DIESEL
EPE = ENGINE - 2.5L POWER TECH I-4 Cyl.
ERH = ENGINE - 4.0L POWER TECH I-6

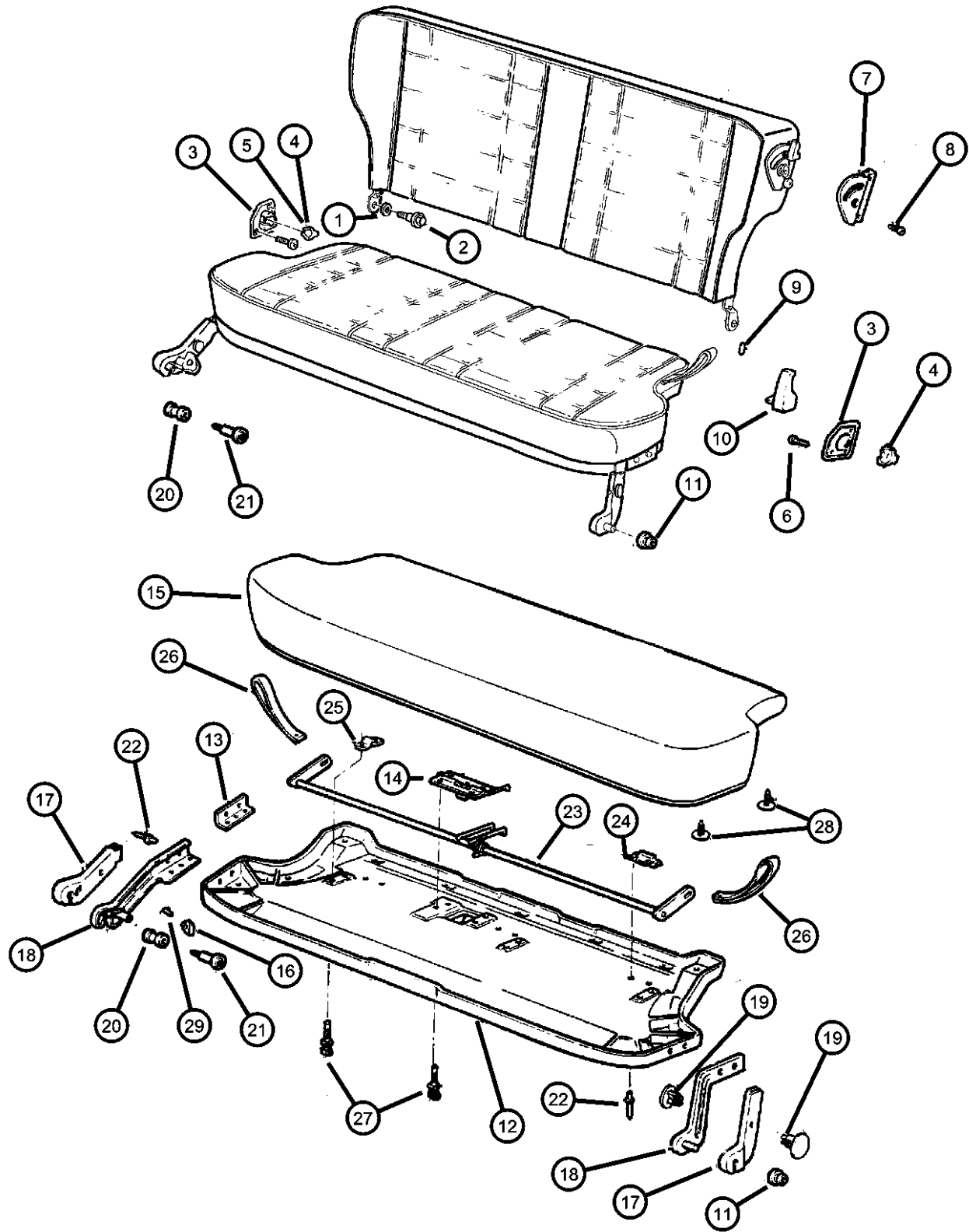
TRANSMISSION

DDD = TRANSMISSION - 5-SPEED HD MANUAL
DDQ = TRANSMISSION - 5-SPEED MANUAL
DGD = TRANSMISSION - 3-SPD. AUTOMATIC,30RH
DGK = TRANSMISSION - 4-SPD. AUTOMATIC,42RE
DGS = TRANSMISSION-4SPD. AUTO,AISIN WARNER
DGT = TRANSMISSION - 4-SPD. AUTOMATIC,46RE
DGW = TRANSMISSION - 4-SPD. AUTOMATIC,44RE
DGX = TRANSMISSION - 4-SPEED AUTOMATIC
DBB = ALL MANUAL TRANSMISSIONS
DGO = ALL AUTOMATIC TRANSMISSIONS

AR = use ase required - = Non illustrated part

2000 XJ

Frame and Pad
Figure IXJ-610

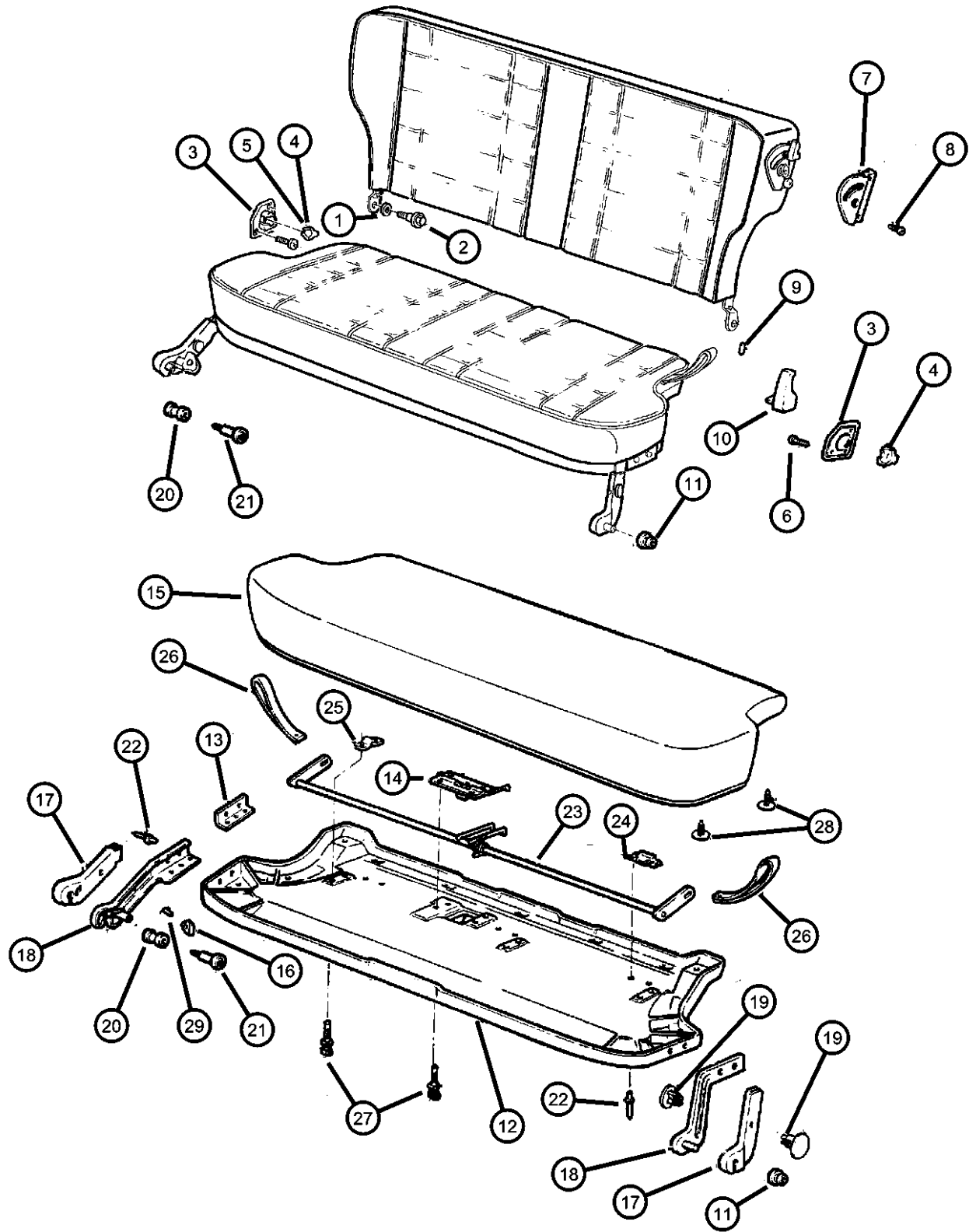


ITEM	PART NUMBER	QTY	LINE	SERIES	BODY	ENGINE	TRANS	TRIM	DESCRIPTION	
16	5AC681AZ	1	B, U		74			*B6		
		1	B, U		74			*DL		
		1	J, T		74			*B6		
										KNOB, Seat Back Latch
		1	J, T		74			*M5	[AZ]	
		1	J, T		74			*DL	[AZ]	
		1	J, T		72			*XJ	[AZ]	
		1	J, T		72			*M5	[AZ]	
		1	B, U		74			*XJ	[AZ]	
		1	J, T		74			*X5	[AZ]	
		1	B, U		74			*M5	[AZ]	
		1	B, U		74			*B6	[AZ]	
		1	B, U		74			*DL	[AZ]	
		1	J, T		74			*XJ	[AZ]	
		16	5AC681K5	1	J, T, U		72			*B6
1	J, T				74			*B6	[AZ]	
1	J, T				74			*M5	[K5]	
1	J, T				72			*XJ	[K5]	
1	J, T				72			*M5	[K5]	
1	B, U				74			*XJ	[K5]	
1	J, T				74			*X5	[K5]	
1	B, U				74			*B6	[K5]	
1	B, U				74			*DL	[K5]	
1	J, T				74			*XJ	[K5]	
1	J, T, U				72			*B6	[K5]	

CHEROKEE (XJ)
 SERIES LINE BODY ENGINE TRANSMISSION
 H = Sport T = JEEP - 2WD 74 = 4 Dr (101.4WB) ENC = ENGINE - 2.5L 4 CYL TURBO DIESEL DDD = TRANSMISSION - 5-SPEED HD MANUAL
 L = SE B = JEEP - 2WD (RHD) 72 = 2 Dr (101.4WB) EPE = ENGINE - 2.5L POWER TECH I-4 Cyl. DDQ = TRANSMISSION - 5-SPEED MANUAL
 P = Classic J = JEEP - 4WD ERH = ENGINE - 4.0L DGD = TRANSMISSION - 3-SPD. AUTOMATIC,30RH
 S = Limited U = JEEP - 4WD (RHD) POWER TECH I-6 DGK = TRANSMISSION - 4-SPD. AUTOMATIC,42RE
 DGS = TRANSMISSION-4SPD. AUTO,AISIN WARNER
 DGT = TRANSMISSION - 4-SPD. AUTOMATIC,46RE
 DGW = TRANSMISSION - 4-SPD. AUTOMATIC,44RE
 DGX = TRANSMISSION - 4-SPEED AUTOMATIC
 DBB = ALL MANUAL TRANSMISSIONS
 DGO = ALL AUTOMATIC TRANSMISSIONS

AR = use ase required - = Non illustrated part

Frame and Pad
Figure IXJ-610

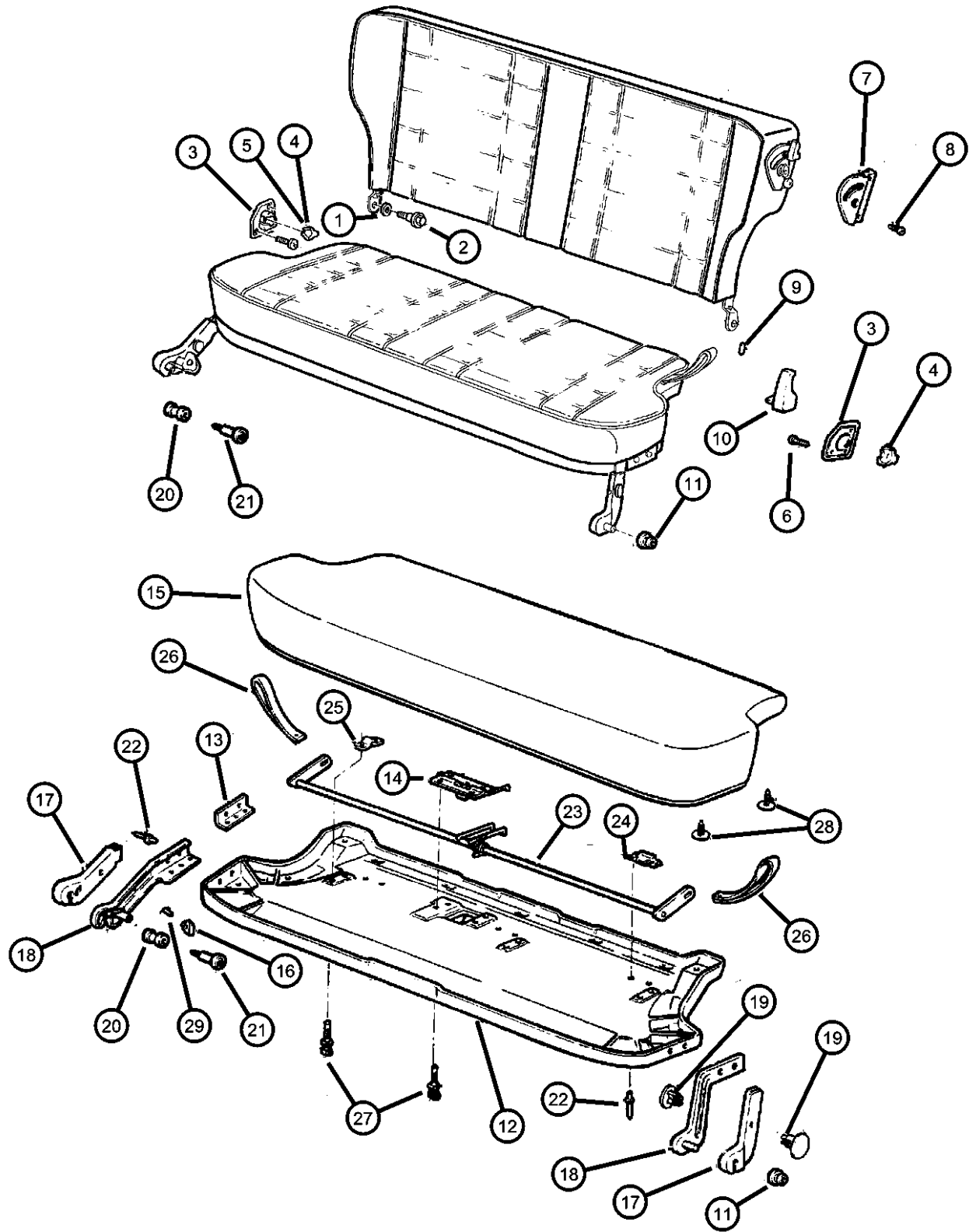


ITEM	PART NUMBER	QTY	LINE	SERIES	BODY	ENGINE	TRANS	TRIM	DESCRIPTION	
17	5AC461AZ	2	J, T		74			*DL	[K5]	
		1	J, T		74			*B6	[K5]	
		1	B, U		74			*M5	[K5]	
		COVER, Rear Seat Hinge								
		1	J, T		74				*DL	[AZ], Right
		1	J, T		72				*XJ	[AZ], Right
		1	J, T		72				*M5	[AZ], Right
		1	J, T		74				*M5	[AZ], Right
		1	B, U		74				*DL	[AZ], Right
		1	B, U		74				*XJ	[AZ], Right
		1	J, T		74				*X5	[AZ], Right
		1	B, U		74				*M5	[AZ], Right
		1	B, U		74				*B6	[AZ], Right
		1	J, T		74				*XJ	[AZ], Right
		1	J, T		74				*B6	[AZ], Right
		1	J, T		74				*M5	[K5], Right
		1	J, T		74				*DL	[K5], Right
1	J, T		72				*XJ	[K5], Right		
1	J, T		72				*M5	[K5], Right		
1	B, U		74				*DL	[K5], Right		
1	B, U		74				*XJ	[K5], Right		
1	J, T		74				*X5	[K5], Right		
1	B, U		74				*M5	[K5], Right		
1	B, U		74				*B6	[K5], Right		
1	J, T		74				*XJ	[K5], Right		

CHEROKEE (XJ)
 SERIES LINE BODY ENGINE TRANSMISSION
 H = Sport T = JEEP - 2WD 74 = 4 Dr (101.4WB) ENC = ENGINE - 2.5L 4 CYL TURBO DIESEL DDD = TRANSMISSION - 5-SPEED HD MANUAL
 L = SE B = JEEP - 2WD (RHD) 72 = 2 Dr (101.4WB) EPE = ENGINE - 2.5L POWER TECH I-4 Cyl. DDQ = TRANSMISSION - 5-SPEED MANUAL
 P = Classic J = JEEP - 4WD ERH = ENGINE - 4.0L DGD = TRANSMISSION - 3-SPD. AUTOMATIC,30RH
 S = Limited U = JEEP - 4WD (RHD) POWER TECH I-6 DGS = TRANSMISSION-4SPD. AUTO,AISIN WARNER
 DGT = TRANSMISSION - 4-SPD. AUTOMATIC,46RE
 DGW = TRANSMISSION - 4-SPD. AUTOMATIC,44RE
 DGX = TRANSMISSION - 4-SPEED AUTOMATIC
 DBB = ALL MANUAL TRANSMISSIONS
 DGO = ALL AUTOMATIC TRANSMISSIONS

AR = use ase required - = Non illustrated part

Frame and Pad
Figure IXJ-610



ITEM	PART NUMBER	QTY	LINE	SERIES	BODY	ENGINE	TRANS	TRIM	DESCRIPTION
	5AC471AZ	1	J, T		74			*B6	[K5], Right
		1	J, T		74			*M5	[AZ], Left
		1	J, T		74			*DL	[AZ], Left
		1	J, T		72			*XJ	[AZ], Left
		1	J, T		72			*M5	[AZ], Left
		1	B, U		74			*DL	[AZ], Left
		1	B, U		74			*XJ	[AZ], Left
		1	J, T		74			*X5	[AZ], Left
		1	B, U		74			*M5	[AZ], Left
		1	B, U		74			*B6	[AZ], Left
		1	J, T		74			*XJ	[AZ], Left
		1	J, T		74			*B6	[AZ], Left
	5AC471K5	1	J, T, U		72			*B6	[AZ], Left
		1	J, T		74			*M5	[K5], Left
		1	J, T		74			*DL	[K5], Left
		1	J, T		72			*M5	[K5], Left
		1	B, U		74			*DL	[K5], Left
		1	B, U		74			*XJ	[K5], Left
		1	J, T		74			*X5	[K5], Left
		1	B, U		74			*M5	[K5], Left
		1	B, U		74			*B6	[K5], Left
		1	J, T		74			*XJ	[K5], Left
		1	J, T		74			*B6	[K5], Left
		1	J, T, U		72			*B6	[K5], Left
		1	J, T		72			*XJ	[K5], Left

CHEROKEE (XJ)

SERIES

H = Sport
L = SE
P = Classic
S = Limited

LINE

T = JEEP - 2WD
B = JEEP - 2WD (RHD)
J = JEEP - 4WD
U = JEEP - 4WD (RHD)

BODY

74 = 4 Dr (101.4WB)
72 = 2 Dr (101.4WB)

ENGINE

ENC = ENGINE - 2.5L 4 CYL TURBO DIESEL
EPE = ENGINE - 2.5L POWER TECH I-4 Cyl.
ERH = ENGINE - 4.0L POWER TECH I-6

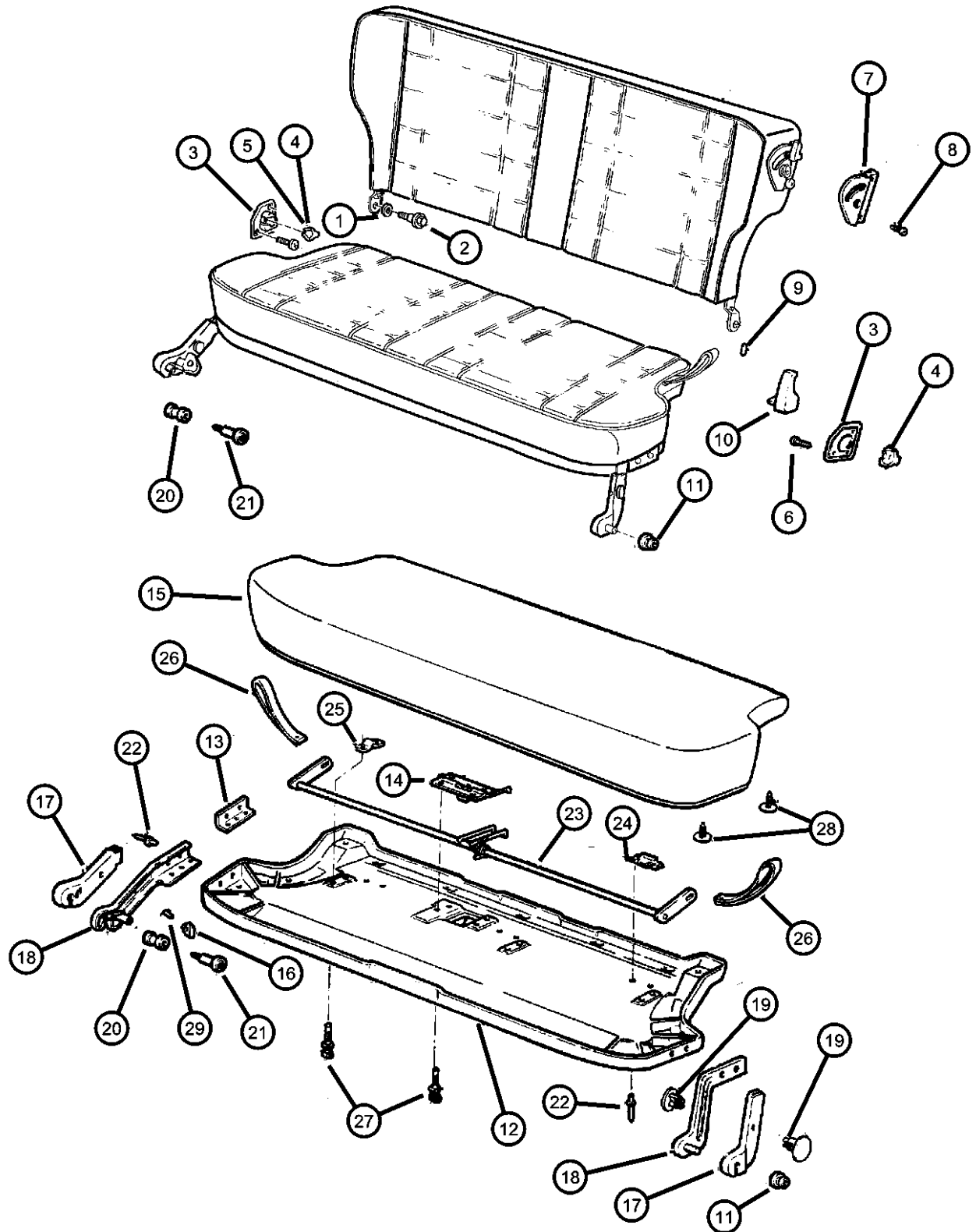
TRANSMISSION

DDD = TRANSMISSION - 5-SPEED HD MANUAL
DDQ = TRANSMISSION - 5-SPEED MANUAL
DGD = TRANSMISSION - 3-SPD. AUTOMATIC,30RH
DGK = TRANSMISSION - 4-SPD. AUTOMATIC,42RE
DGS = TRANSMISSION-4SPD. AUTO,AISIN WARNER
DGT = TRANSMISSION - 4-SPD. AUTOMATIC,46RE
DGW = TRANSMISSION - 4-SPD. AUTOMATIC,44RE
DGX = TRANSMISSION - 4-SPEED AUTOMATIC
DBB = ALL MANUAL TRANSMISSIONS
DGO = ALL AUTOMATIC TRANSMISSIONS

AR = use ase required - = Non illustrated part

2000 XJ

Frame and Pad
Figure IXJ-610



ITEM	PART NUMBER	QTY	LINE	SERIES	BODY	ENGINE	TRANS	TRIM	DESCRIPTION
------	-------------	-----	------	--------	------	--------	-------	------	-------------

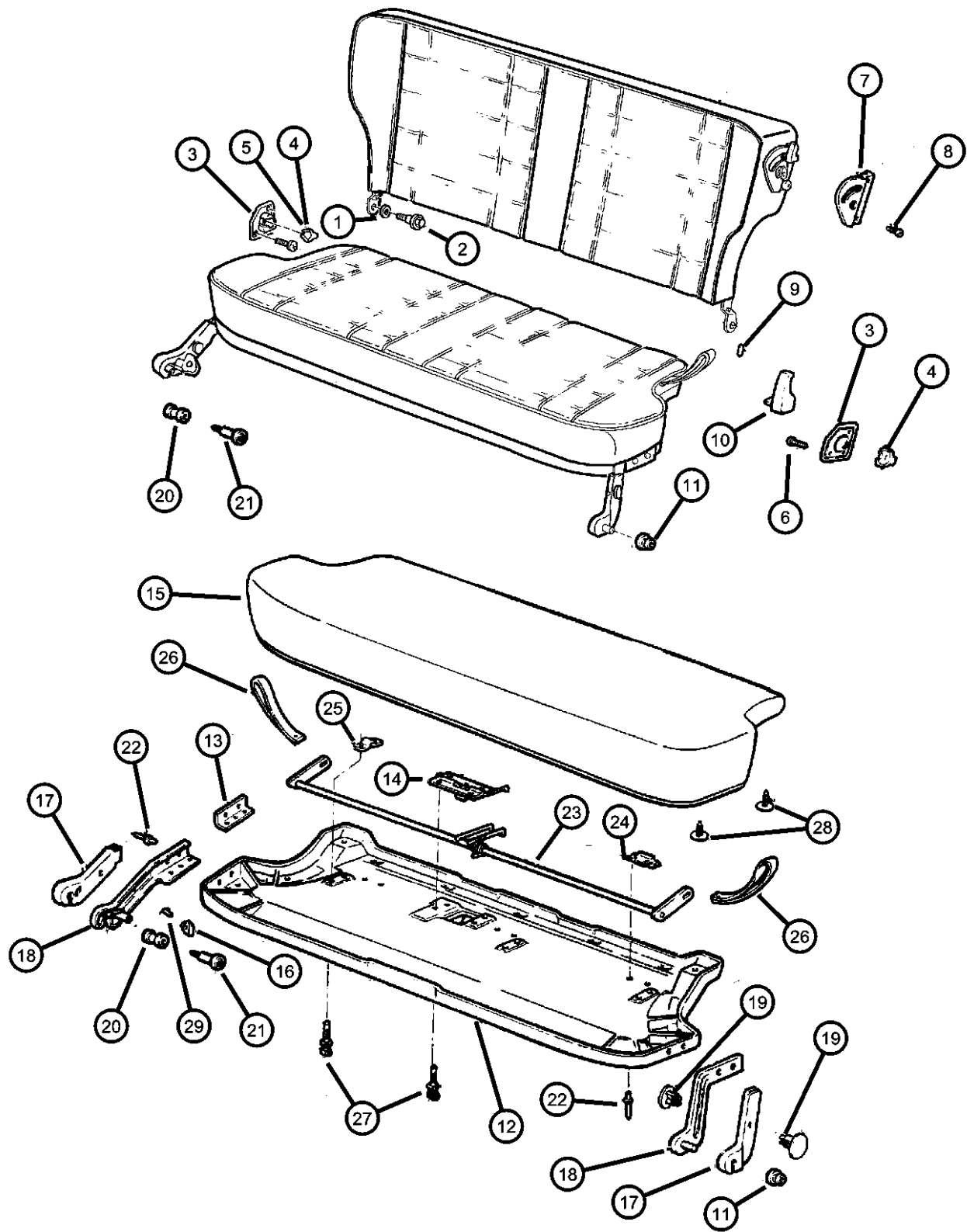
18									HINGE, Seat Cushion
	55001136	1	J, T		74			*M5	Right
		1	J, T		74			*DL	Right
		1	J, T		72			*XJ	Right
		1	J, T		72			*M5	Right
		1	B, U		74			*DL	Right
		1	J, T		74			*X5	Right
		1	B, U		74			*M5	Right
		1	B, U		74			*B6	Right
		1	J, T		74			*XJ	Right
		1	J, T, U		72			*B6	Right
		1	J, T		74			*B6	Right
	55001137	1	B, U		74			*XJ	Right
		1	J, T		74			*M5	Left
		1	J, T		74			*DL	Left
		1	J, T		72			*XJ	Left
		1	J, T		72			*M5	Left
		1	B, U		74			*DL	Left
		1	B, U		74			*XJ	Left
		1	J, T		74			*X5	Left
		1	B, U		74			*M5	Left
		1	B, U		74			*B6	Left
		1	J, T		74			*XJ	Left
		1	J, T		74			*B6	Left
		1	J, T, U		72			*B6	Left

CHEROKEE (XJ)

SERIES	LINE	BODY	ENGINE	TRANSMISSION
H = Sport	T = JEEP - 2WD	74 = 4 Dr (101.4WB)	ENC = ENGINE - 2.5L 4 CYL TURBO DIESEL	DDD = TRANSMISSION - 5-SPEED HD MANUAL
L = SE	B = JEEP - 2WD (RHD)	72 = 2 Dr (101.4WB)	EPE = ENGINE - 2.5L POWER TECH I-4 Cyl.	DDQ = TRANSMISSION - 5-SPEED MANUAL
P = Classic	J = JEEP - 4WD		ERH = ENGINE - 4.0L POWER TECH I-6	DGD = TRANSMISSION - 3-SPD. AUTOMATIC,30RH
S = Limited	U = JEEP - 4WD (RHD)			DGK = TRANSMISSION - 4-SPD. AUTOMATIC,42RE
				DGS = TRANSMISSION-4SPD. AUTO,AISIN WARNER
				DGT = TRANSMISSION - 4-SPD. AUTOMATIC,46RE
				DGW = TRANSMISSION - 4-SPD. AUTOMATIC,44RE
				DGX = TRANSMISSION - 4-SPEED AUTOMATIC
				DBB = ALL MANUAL TRANSMISSIONS
				DGO = ALL AUTOMATIC TRANSMISSIONS

AR = use ase required - = Non illustrated part

Frame and Pad
Figure IXJ-610



ITEM	PART NUMBER	QTY	LINE	SERIES	BODY	ENGINE	TRANS	TRIM	DESCRIPTION
19	34201845	1	J, T		74			*M5	RIVET, M8x12.40 Ratchet Type
		1	J, T		72			*XJ	
		1	J, T		72			*M5	
		1	B, U		74			*XJ	
		1	J, T		74			*X5	
		1	B, U		74			*M5	
		1	B, U		74			*B6	
		1	B, U		74			*DL	
		1	J, T		74			*XJ	
		1	J, T, U		72			*B6	
		4	J, T		74			*DL	
		1	J, T		74			*B6	
20	55002437	1							BUSHING, Seat Cushion
21	34201530	1							BOLT, Shoulder, M10x1.50x50.6
22	34201557	1	J, T		74			*M5	RIVET, M6.3x23.47
		1	J, T		74			*DL	
		1	J, T		72			*XJ	
		1	B, U		74			*XJ	
		1	J, T		74			*X5	
		1	B, U		74			*M5	
		1	B, U		74			*B6	
		1	B, U		74			*DL	
		1	J, T		74			*XJ	

CHEROKEE (XJ)

SERIES

H = Sport
L = SE
P = Classic
S = Limited

LINE

T = JEEP - 2WD
B = JEEP - 2WD (RHD)
J = JEEP - 4WD
U = JEEP - 4WD (RHD)

BODY

74 = 4 Dr (101.4WB)
72 = 2 Dr (101.4WB)

ENGINE

ENC = ENGINE - 2.5L 4 CYL
TURBO DIESEL
EPE = ENGINE - 2.5L POWER
TECH I-4 Cyl.
ERH = ENGINE - 4.0L
POWER TECH I-6

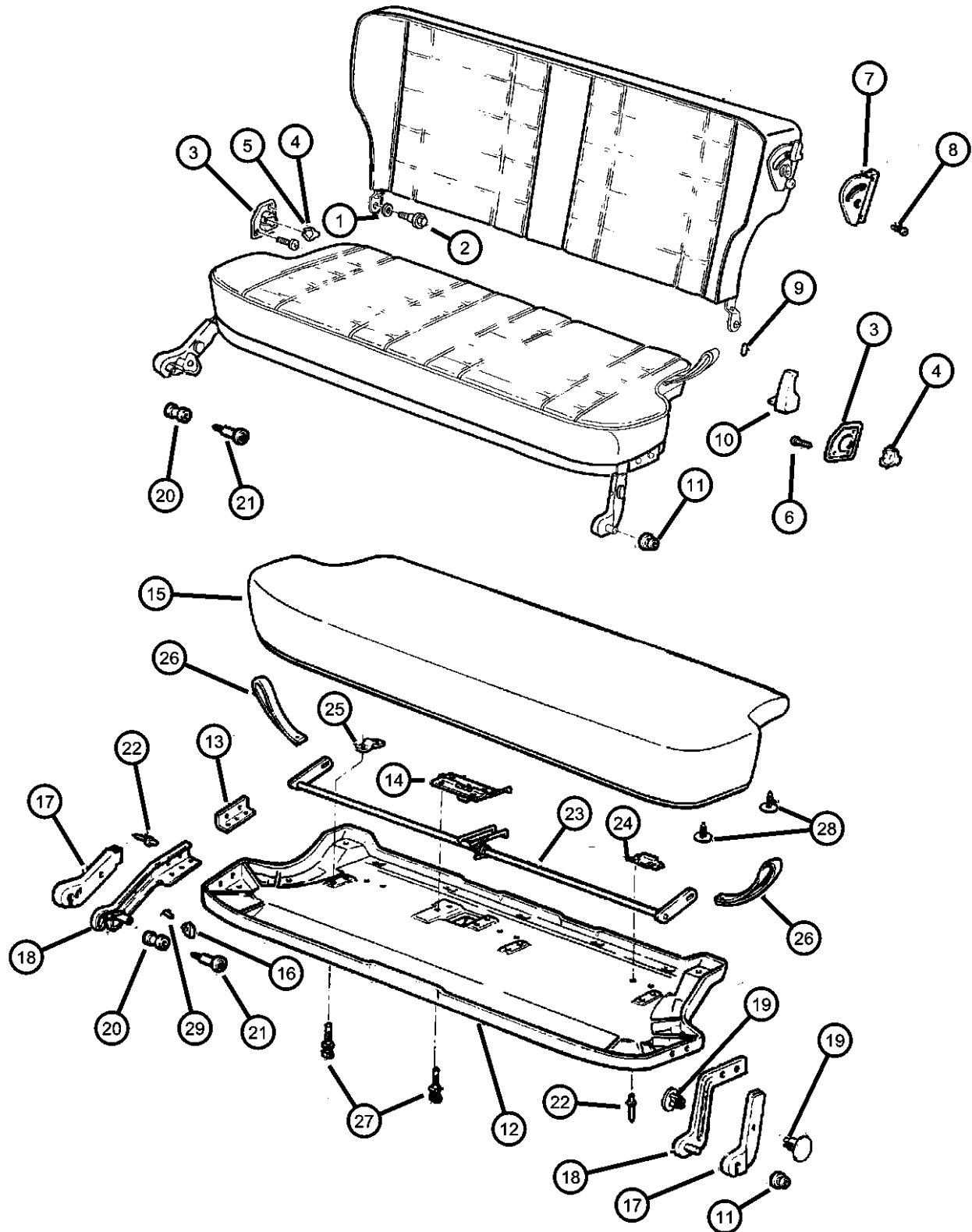
TRANSMISSION

DDD = TRANSMISSION - 5-SPEED
HD MANUAL
DDQ = TRANSMISSION - 5-SPEED
MANUAL
DGD = TRANSMISSION - 3-SPD.
AUTOMATIC,30RH
DGK = TRANSMISSION - 4-SPD.
AUTOMATIC,42RE
DGS = TRANSMISSION-4SPD.
AUTO,AISIN WARNER
DGT = TRANSMISSION - 4-SPD.
AUTOMATIC,46RE
DGW = TRANSMISSION - 4-SPD.
AUTOMATIC,44RE
DGX = TRANSMISSION - 4-SPEED
AUTOMATIC
DBB = ALL MANUAL
TRANSMISSIONS
DGO = ALL AUTOMATIC
TRANSMISSIONS

AR = use ase required - = Non illustrated part

2000 XJ

Frame and Pad
Figure IXJ-610



ITEM	PART NUMBER	QTY	LINE	SERIES	BODY	ENGINE	TRANS	TRIM	DESCRIPTION
23	55004302	1	J, T		72			*M5	RELEASE, Seat Latch
		1	J, T		74			*B6	
		1	J, T		74			*M5	
		1	J, T		72			*XJ	
		1	J, T		72			*M5	
		1	B, U		74			*DL	
		1	J, T		74			*X5	
		1	B, U		74			*M5	
		1	B, U		74			*B6	
		1	J, T		74			*XJ	
24	55195937	1	J, T, U		72			*B6	BRACKET, Seat Cushion
		1	J, T		74			*DL	
		1	J, T		74			*M5	
		1	J, T		72			*XJ	
		1	J, T		72			*M5	
		1	B, U		74			*XJ	
		1	J, T		74			*X5	
		1	B, U		74			*M5	
		1	B, U		74			*B6	
		1	B, U		74			*DL	

CHEROKEE (XJ)

SERIES LINE
H = Sport T = JEEP - 2WD
L = SE B = JEEP - 2WD (RHD)
P = Classic J = JEEP - 4WD
S = Limited U = JEEP - 4WD (RHD)

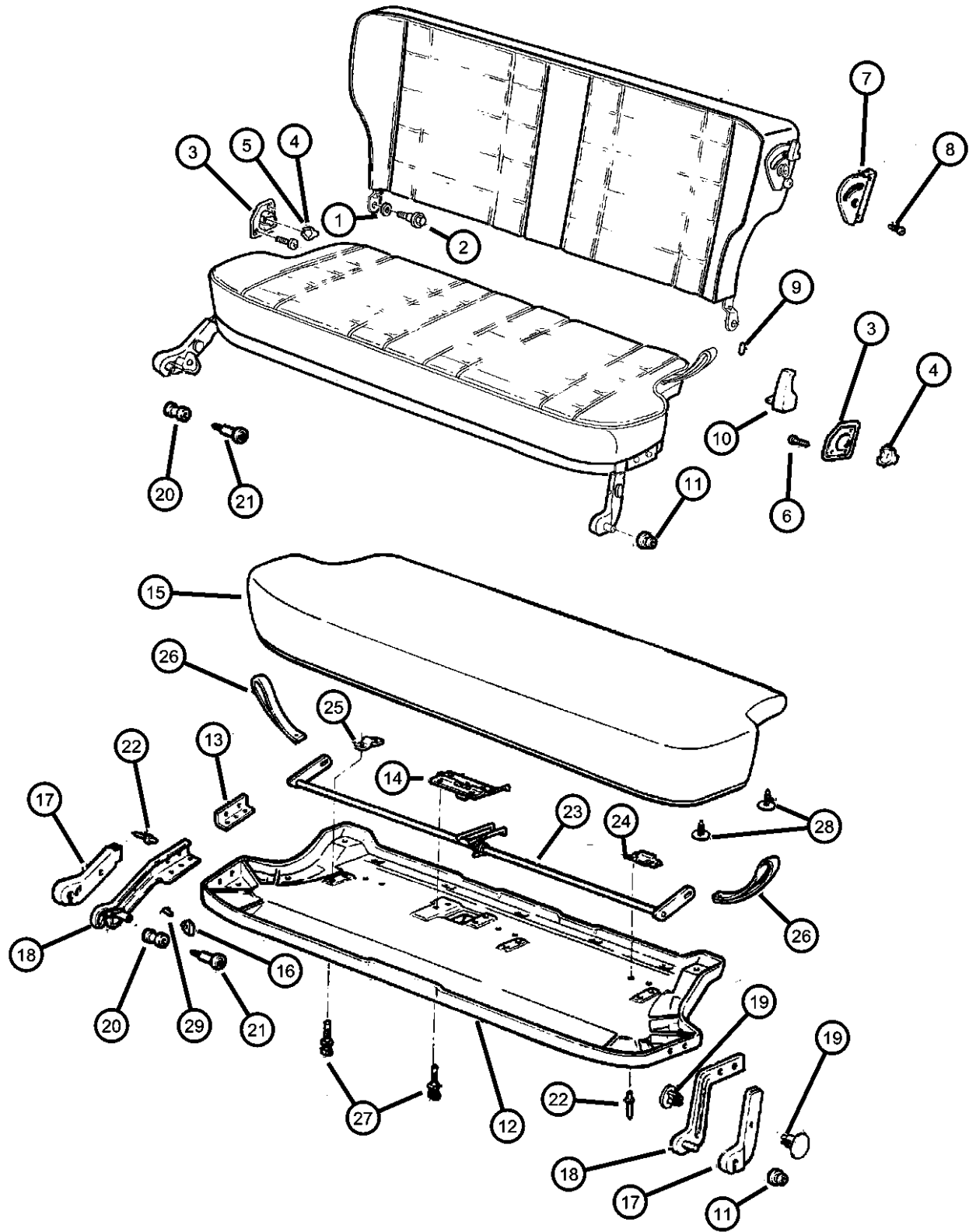
BODY
74 = 4 Dr (101.4WB)
72 = 2 Dr (101.4WB)

ENGINE
ENC = ENGINE - 2.5L 4 CYL TURBO DIESEL
EPE = ENGINE - 2.5L POWER TECH I-4 Cyl.
ERH = ENGINE - 4.0L POWER TECH I-6

TRANSMISSION
DDD = TRANSMISSION - 5-SPEED HD MANUAL
DDQ = TRANSMISSION - 5-SPEED MANUAL
DGD = TRANSMISSION - 3-SPD. AUTOMATIC,30RH
DGK = TRANSMISSION - 4-SPD. AUTOMATIC,42RE
DGS = TRANSMISSION-4SPD. AUTO,AISIN WARNER
DGT = TRANSMISSION - 4-SPD. AUTOMATIC,46RE
DGW = TRANSMISSION - 4-SPD. AUTOMATIC,44RE
DGX = TRANSMISSION - 4-SPEED AUTOMATIC
DBB = ALL MANUAL TRANSMISSIONS
DGO = ALL AUTOMATIC TRANSMISSIONS

AR = use ase required - = Non illustrated part

Frame and Pad
Figure IXJ-610



ITEM	PART NUMBER	QTY	LINE	SERIES	BODY	ENGINE	TRANS	TRIM	DESCRIPTION
25	55004301	1	J, T		74			*XJ	BRACKET, Seat Latch
		1	J, T		74			*B6	
		1	J, T, U		72			*B6	
		1	J, T		74			*M5	
		1	J, T		72			*XJ	
		1	J, T		72			*M5	
		1	B, U		74			*XJ	
		1	J, T		74			*X5	
		1	B, U		74			*M5	
		1	B, U		74			*B6	
26	5AJ471AZ	1	J, T		74			*DL	STRAP, Rear Seat Latch
		1	J, T		74			*XJ	
		2	J, T		74			*DL	
		1	J, T		74			*B6	
		1	J, T		72			*XJ [AZ]	
		1	J, T		72			*M5 [AZ]	
		1	J, T		74			*M5 [AZ]	
		1	B, U		74			*XJ [AZ]	
		1	J, T		74			*X5 [AZ]	
		1	B, U		74			*M5 [AZ]	
1	B, U		74			*B6 [AZ]			
1	B, U		74			*DL [AZ]			
1	J, T		74			*XJ [AZ]			

CHEROKEE (XJ)

SERIES

H = Sport
L = SE
P = Classic
S = Limited

LINE

T = JEEP - 2WD
B = JEEP - 2WD (RHD)
J = JEEP - 4WD
U = JEEP - 4WD (RHD)

BODY

74 = 4 Dr (101.4WB)
72 = 2 Dr (101.4WB)

ENGINE

ENC = ENGINE - 2.5L 4 CYL TURBO DIESEL
EPE = ENGINE - 2.5L POWER TECH I-4 Cyl.
ERH = ENGINE - 4.0L POWER TECH I-6

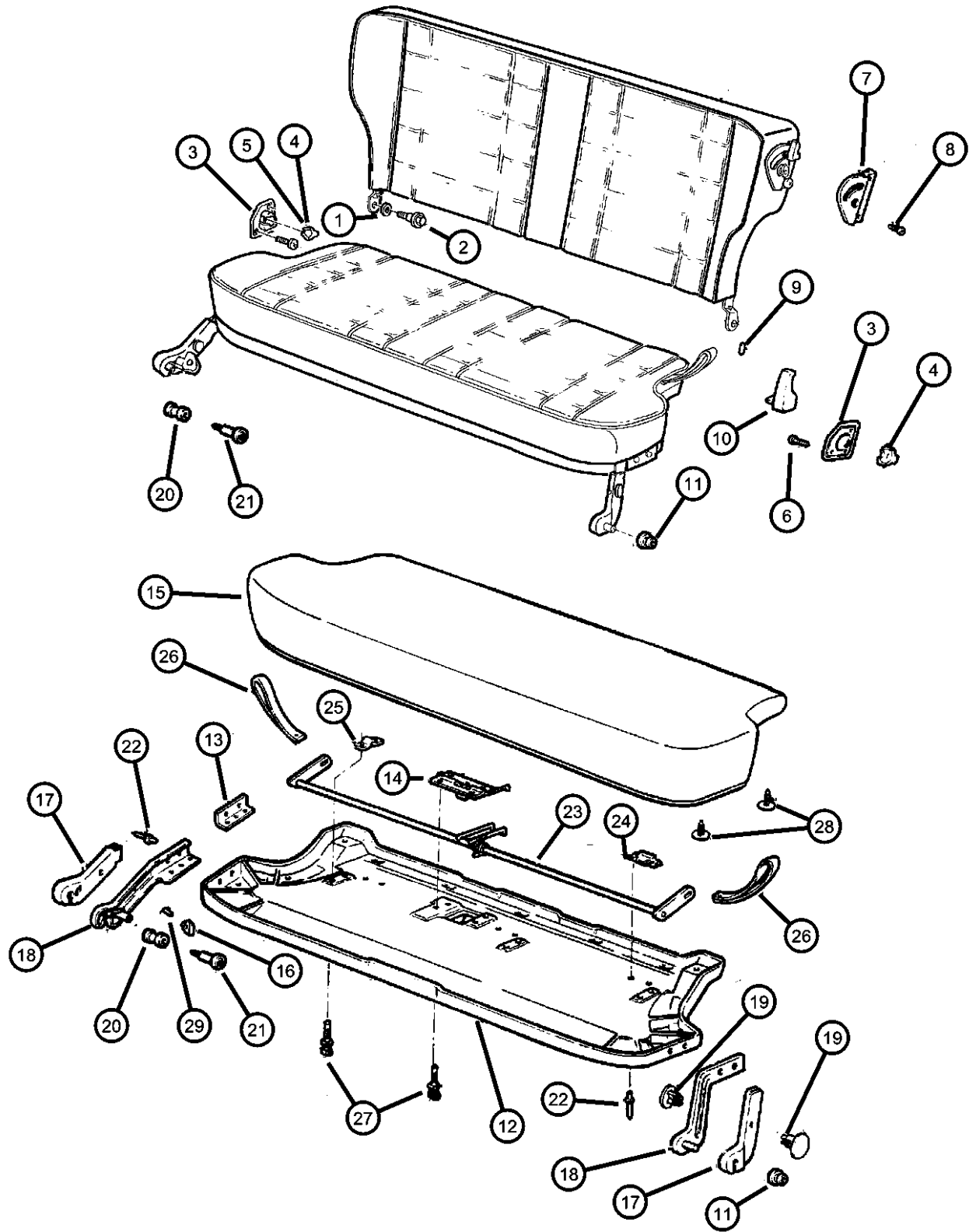
TRANSMISSION

DDD = TRANSMISSION - 5-SPEED HD MANUAL
DDQ = TRANSMISSION - 5-SPEED MANUAL
DGD = TRANSMISSION - 3-SPD. AUTOMATIC,30RH
DGK = TRANSMISSION - 4-SPD. AUTOMATIC,42RE
DGS = TRANSMISSION-4SPD. AUTO,AISIN WARNER
DGT = TRANSMISSION - 4-SPD. AUTOMATIC,46RE
DGW = TRANSMISSION - 4-SPD. AUTOMATIC,44RE
DGX = TRANSMISSION - 4-SPEED AUTOMATIC
DBB = ALL MANUAL TRANSMISSIONS
DGO = ALL AUTOMATIC TRANSMISSIONS

AR = use ase required - = Non illustrated part

2000 XJ

Frame and Pad
Figure IXJ-610



ITEM	PART NUMBER	QTY	LINE	SERIES	BODY	ENGINE	TRANS	TRIM	DESCRIPTION
		1	J, T		74			*B6 [AZ]	
		2	J, T		74			*DL [AZ]	
		1	J, T, U		72			*B6 [AZ]	
	5AJ471K5	1	J, T		74			*M5 [K5]	
		1	J, T		72			*XJ [K5]	
		1	B, U		74			*XJ [K5]	
		1	J, T		74			*X5 [K5]	
		1	B, U		74			*M5 [K5]	
		1	B, U		74			*B6 [K5]	
		1	B, U		74			*DL [K5]	
		1	J, T		74			*XJ [K5]	
		1	J, T		72			*M5 [K5]	
		1	J, T, U		72			*B6 [K5]	
		2	J, T		74			*DL [K5]	
		1	J, T		74			*B6 [K5]	
27									RIVET, Blind, M6.25x28
	34202078	1	J, T		74			*M5	
		1	J, T		72			*XJ	
		1	B, U		74			*XJ	
		1	J, T		74			*X5	
		1	B, U		74			*M5	
		1	B, U		74			*B6	
		1	B, U		74			*DL	
		1	J, T		74			*XJ	
		1	J, T		72			*M5	

CHEROKEE (XJ)

SERIES

H = Sport
L = SE
P = Classic
S = Limited

LINE

T = JEEP - 2WD
B = JEEP - 2WD (RHD)
J = JEEP - 4WD
U = JEEP - 4WD (RHD)

BODY

74 = 4 Dr (101.4WB)
72 = 2 Dr (101.4WB)

ENGINE

ENC = ENGINE - 2.5L 4 CYL TURBO DIESEL
EPE = ENGINE - 2.5L POWER TECH I-4 Cyl.
ERH = ENGINE - 4.0L POWER TECH I-6

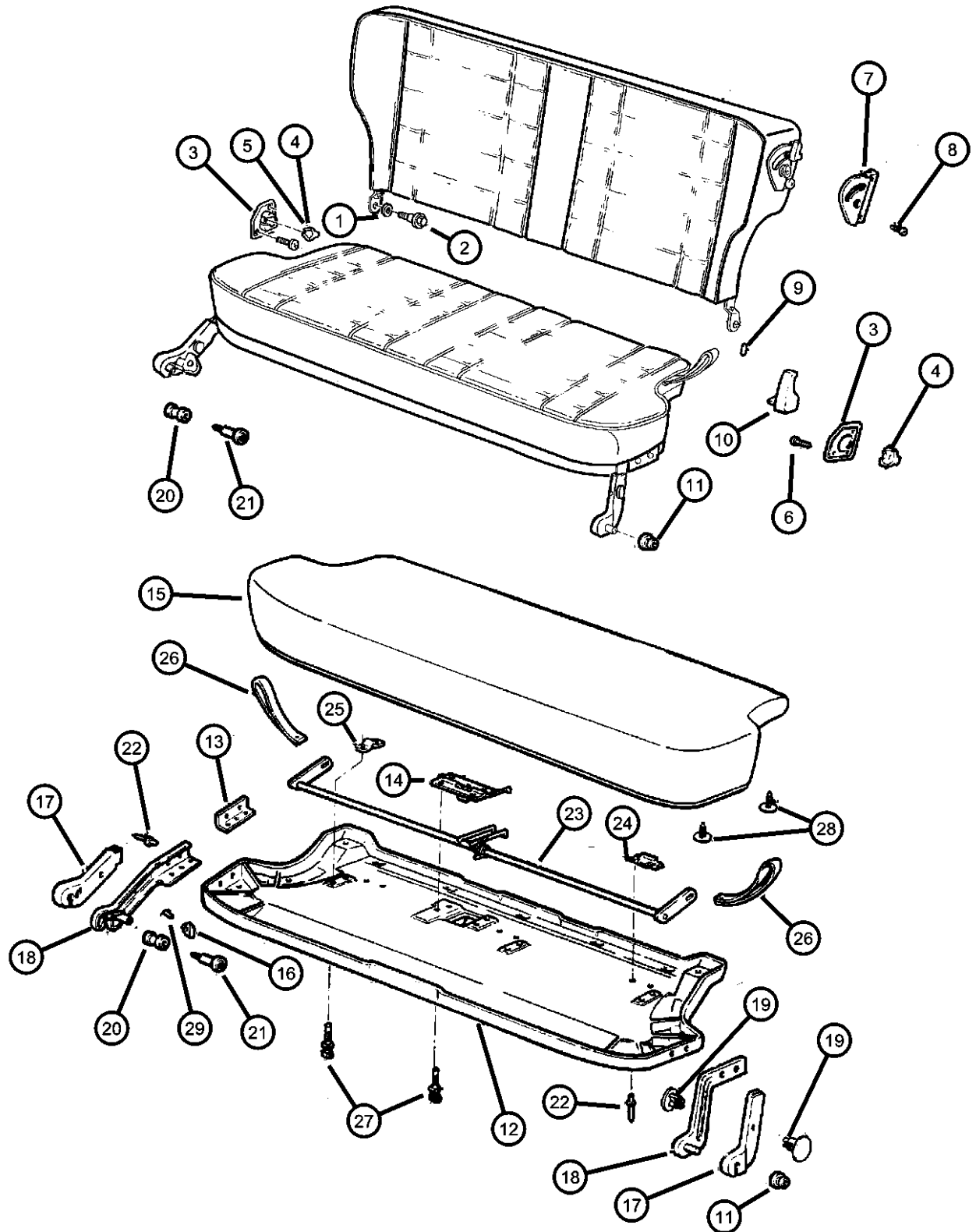
TRANSMISSION

DDD = TRANSMISSION - 5-SPEED HD MANUAL
DDQ = TRANSMISSION - 5-SPEED MANUAL
DGD = TRANSMISSION - 3-SPD. AUTOMATIC,30RH
DGK = TRANSMISSION - 4-SPD. AUTOMATIC,42RE
DGS = TRANSMISSION-4SPD. AUTO,AISIN WARNER
DGT = TRANSMISSION - 4-SPD. AUTOMATIC,46RE
DGW = TRANSMISSION - 4-SPD. AUTOMATIC,44RE
DGX = TRANSMISSION - 4-SPEED AUTOMATIC
DBB = ALL MANUAL TRANSMISSIONS
DGO = ALL AUTOMATIC TRANSMISSIONS

AR = use ase required - = Non illustrated part

2000 XJ

Frame and Pad
Figure IXJ-610



ITEM	PART NUMBER	QTY	LINE	SERIES	BODY	ENGINE	TRANS	TRIM	DESCRIPTION
------	-------------	-----	------	--------	------	--------	-------	------	-------------

		1	J, T		74			*B6	
		1	J, T, U		72			*B6	
		6	J, T		74			*DL	
28	5AA341AZ	1	J, T		74			*M5	[AZ]
		1	J, T		74			*DL	[AZ]
		1	J, T		72			*XJ	[AZ]
		1	J, T		72			*M5	[AZ]
		1	B, U		74			*XJ	[AZ]
		1	J, T		74			*X5	[AZ]
		1	B, U		74			*M5	[AZ]
		1	B, U		74			*B6	[AZ]
		1	B, U		74			*DL	[AZ]
		1	J, T		74			*XJ	[AZ]
		1	J, T, U		72			*B6	[AZ]
		1	J, T		74			*B6	[AZ]
	5AA341K5	1	J, T		74			*DL	[K5]
		1	J, T		72			*XJ	[K5]
		1	J, T		74			*M5	[K5]
		1	B, U		74			*XJ	[K5]
		1	J, T		74			*X5	[K5]
		1	B, U		74			*M5	[K5]
		1	B, U		74			*B6	[K5]
		1	B, U		74			*DL	[K5]
		1	J, T		74			*XJ	[K5]

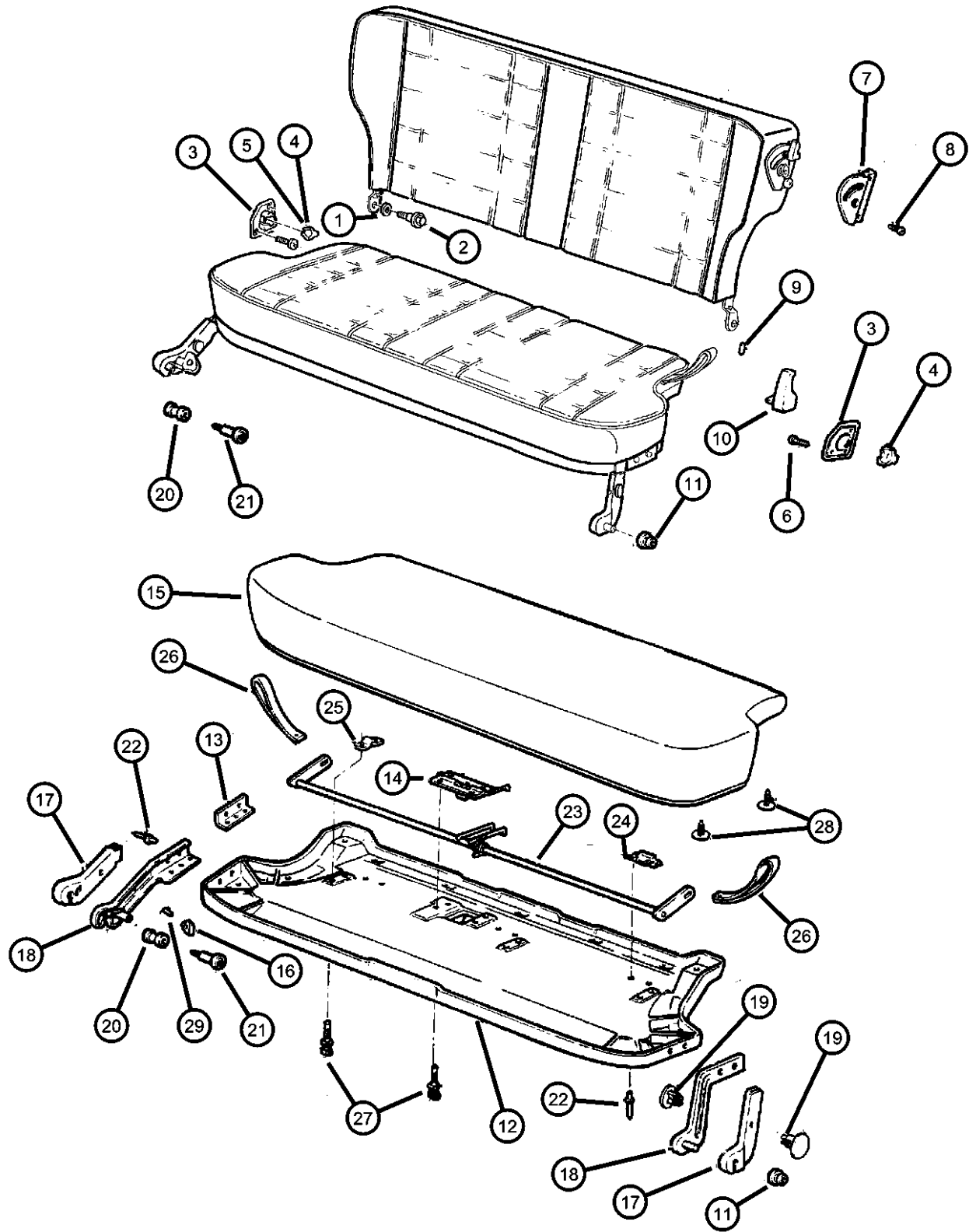
FASTENER, .193 Hole

CHEROKEE (XJ)

SERIES	LINE	BODY	ENGINE	TRANSMISSION
H = Sport	T = JEEP - 2WD	74 = 4 Dr (101.4WB)	ENC = ENGINE - 2.5L 4 CYL TURBO DIESEL	DDD = TRANSMISSION - 5-SPEED HD MANUAL
L = SE	B = JEEP - 2WD (RHD)	72 = 2 Dr (101.4WB)	EPE = ENGINE - 2.5L POWER TECH I-4 Cyl.	DDQ = TRANSMISSION - 5-SPEED MANUAL
P = Classic	J = JEEP - 4WD		ERH = ENGINE - 4.0L POWER TECH I-6	DGD = TRANSMISSION - 3-SPD. AUTOMATIC,30RH
S = Limited	U = JEEP - 4WD (RHD)			DGK = TRANSMISSION - 4-SPD. AUTOMATIC,42RE
				DGS = TRANSMISSION-4SPD. AUTO,AISIN WARNER
				DGT = TRANSMISSION - 4-SPD. AUTOMATIC,46RE
				DGW = TRANSMISSION - 4-SPD. AUTOMATIC,44RE
				DGX = TRANSMISSION - 4-SPEED AUTOMATIC
				DBB = ALL MANUAL TRANSMISSIONS
				DGO = ALL AUTOMATIC TRANSMISSIONS

AR = use ase required - = Non illustrated part

Frame and Pad
Figure IXJ-610



ITEM	PART NUMBER	QTY	LINE	SERIES	BODY	ENGINE	TRANS	TRIM	DESCRIPTION	
29	J0455735	1	J, T		72			*M5	[K5]	
		1	J, T		74			*B6	[K5]	
		1	J, T, U		72			*B6	[K5]	
										SPRING, Pin
		1	J, T		74			*M5		
		1	J, T		74			*DL		
		1	J, T		72			*XJ		
		1	B, U		74			*XJ		
		1	J, T		74			*X5		
		1	B, U		74			*M5		
		1	B, U		74			*B6		
		1	B, U		74			*DL		
		1	J, T		74			*XJ		
		1	J, T		72			*M5		
1	J, T		74			*B6				

CHEROKEE (XJ)

SERIES LINE
H = Sport T = JEEP - 2WD
L = SE B = JEEP - 2WD (RHD)
P = Classic J = JEEP - 4WD
S = Limited U = JEEP - 4WD (RHD)

BODY
74 = 4 Dr (101.4WB)
72 = 2 Dr (101.4WB)

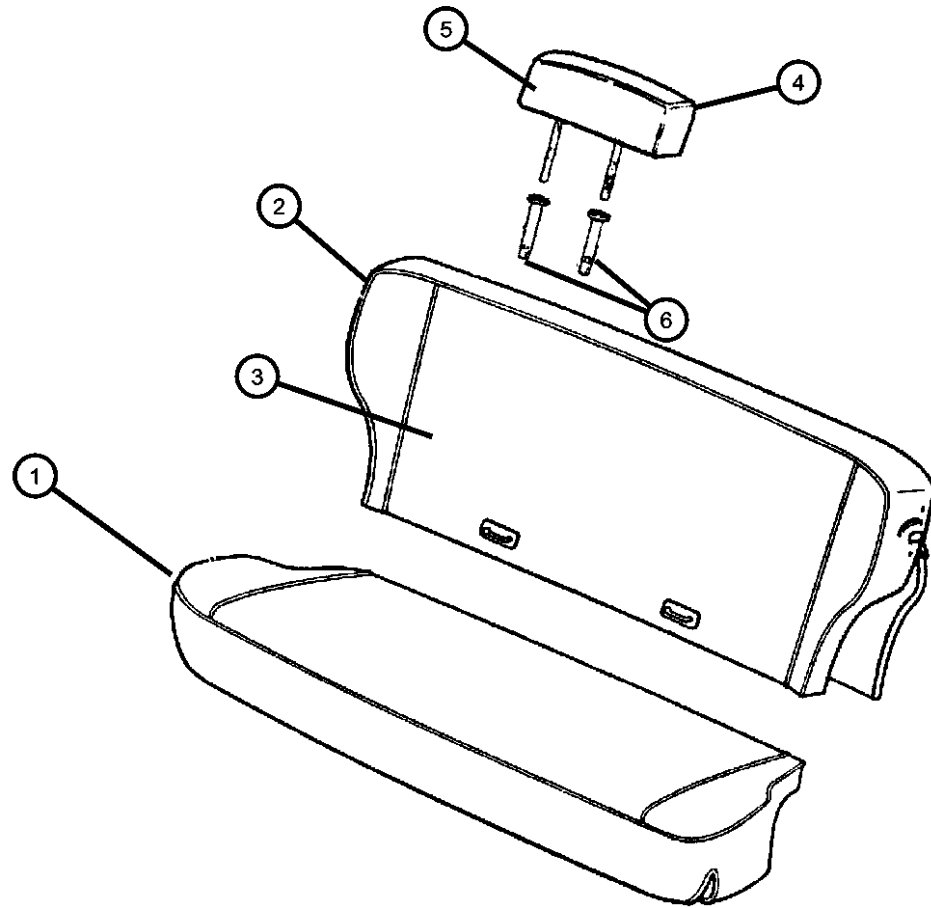
ENGINE
ENC = ENGINE - 2.5L 4 CYL TURBO DIESEL
EPE = ENGINE - 2.5L POWER TECH I-4 Cyl.
ERH = ENGINE - 4.0L POWER TECH I-6

TRANSMISSION
DDD = TRANSMISSION - 5-SPEED HD MANUAL
DDQ = TRANSMISSION - 5-SPEED MANUAL
DGD = TRANSMISSION - 3-SPD. AUTOMATIC,30RH
DGK = TRANSMISSION - 4-SPD. AUTOMATIC,42RE
DGS = TRANSMISSION-4SPD. AUTO,AISIN WARNER
DGT = TRANSMISSION - 4-SPD. AUTOMATIC,46RE
DGW = TRANSMISSION - 4-SPD. AUTOMATIC,44RE
DGX = TRANSMISSION - 4-SPEED AUTOMATIC
DBB = ALL MANUAL TRANSMISSIONS
DGO = ALL AUTOMATIC TRANSMISSIONS

AR = use ase required - = Non illustrated part

**Covers, Seat Upholstery
Figure IXJ-620**

ITEM	PART NUMBER	QTY	LINE	SERIES	BODY	ENGINE	TRANS	TRIM	DESCRIPTION
1									COVER, Rear Seat Cushion
	0TD741AZAA	1	J, T, U		72			*B6	[AZ]
		1	J, T		74			*B6	[AZ]
		1	J, T		74			*X5	[AZ]
		1	B, U		74			*B6	[AZ]
	0TD741K5AA	1	J, T, U		72			*B6	[K5]
		1	J, T		74			*B6	[K5]
		1	B, U		74			*B6	[K5]
	0TD751AZAA	1	J, T		74			*DL	[AZ]
		1	B, U		74			*DL	[AZ]
	0TD751K5AA	1	J, T		74			*DL	[K5]
		1	B, U		74			*DL	[K5]
	0TD761AZAA	1	J, T		72			*M5	[AZ]
		1	J, T		74			*M5	[AZ]
		1	B, U		74			*M5	[AZ]
	0TD761K5AA	1	J, T		72			*M5	[K5]
		1	J, T		74			*M5	[K5]
		1	B, U		74			*M5	[K5]
	0TD771AZAA	1	J, T		72			*XJ	[AZ]
		1	J, T		74			*XJ	[AZ]
		1	B, U		74			*XJ	[AZ]
	0TD771K5AA	1	J, T		72			*XJ	[K5]
		1	J, T		74			*XJ	[K5]
		1	B, U		74			*XJ	[K5]
2									SEAT BACK, Rear



CHEROKEE (XJ)

SERIES	LINE
H = Sport	T = JEEP - 2WD
L = SE	B = JEEP - 2WD (RHD)
P = Classic	J = JEEP - 4WD
S = Limited	U = JEEP - 4WD (RHD)

BODY
74 = 4 Dr (101.4WB)
72 = 2 Dr (101.4WB)

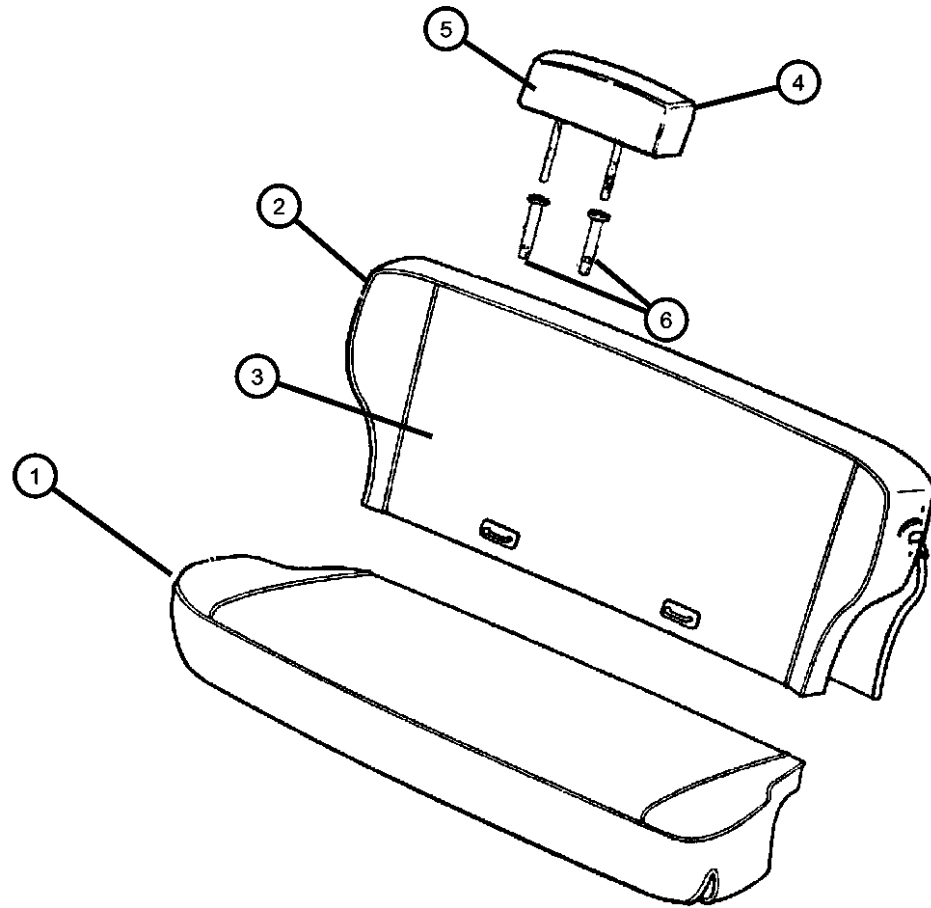
ENGINE	TRANSMISSION
ENC = ENGINE - 2.5L 4 CYL TURBO DIESEL	DDD = TRANSMISSION - 5-SPEED HD MANUAL
EPE = ENGINE - 2.5L POWER TECH I-4 Cyl.	DDQ = TRANSMISSION - 5-SPEED MANUAL
ERH = ENGINE - 4.0L POWER TECH I-6	DGD = TRANSMISSION - 3-SPD. AUTOMATIC,30RH
	DGK = TRANSMISSION - 4-SPD. AUTOMATIC,42RE
	DGS = TRANSMISSION-4SPD. AUTO,AISIN WARNER
	DGT = TRANSMISSION - 4-SPD. AUTOMATIC,46RE
	DGW = TRANSMISSION - 4-SPD. AUTOMATIC,44RE
	DGX = TRANSMISSION - 4-SPEED AUTOMATIC
	DBB = ALL MANUAL TRANSMISSIONS
	DGO = ALL AUTOMATIC TRANSMISSIONS

AR = use ase required - = Non illustrated part

2000 XJ

**Covers, Seat Upholstery
Figure IXJ-620**

ITEM	PART NUMBER	QTY	LINE	SERIES	BODY	ENGINE	TRANS	TRIM	DESCRIPTION
	0TD621AZAA	1	J, T, U		72			*B6 [AZ]	
		1	J, T		74			*B6 [AZ]	
		1	J, T		74			*X5 [AZ]	
		1	B, U		74			*B6 [AZ]	
	0TD621K5AA	1	J, T, U		72			*B6 [K5]	
		1	J, T		74			*B6 [K5]	
		1	B, U		74			*B6 [K5]	
		1	J, T		74			*X5 [K5]	
	0TD641AZAA	1	J, T		74			*DL [AZ]	
	0TD641K5AA	1	J, T		74			*DL [K5]	
	0TD681AZAA	1	J, T		72			*M5 [AZ]	
		1	J, T		74			*M5 [AZ]	
		1	B, U		74			*M5 [AZ]	
	0TD681K5AA	1	J, T		72			*M5 [K5]	
		1	J, T		74			*M5 [K5]	
		1	B, U		74			*M5 [K5]	
	0TD701AZAA	1	J, T		74			*XJ [AZ]	
	0TD701K5AA	1	J, T		74			*XJ [K5]	
	0TN341AZAA	1	J, T		74			*DL [AZ], Export	
		1	B, U		74			*DL [AZ], Export	
	0TN341K5AA	1	J, T		74			*DL [K5], Export	
		1	B, U		74			*DL [K5], Export	
	0TN351AZAA	1	J, T		72			*XJ [AZ], Export	
		1	J, T		74			*XJ [AZ], Export	
		1	B, U		74			*XJ [AZ], Export	



CHEROKEE (XJ)

SERIES

H = Sport
L = SE
P = Classic
S = Limited

LINE

T = JEEP - 2WD
B = JEEP - 2WD (RHD)
J = JEEP - 4WD
U = JEEP - 4WD (RHD)

BODY

74 = 4 Dr (101.4WB)
72 = 2 Dr (101.4WB)

ENGINE

ENC = ENGINE - 2.5L 4 CYL TURBO DIESEL
EPE = ENGINE - 2.5L POWER TECH I-4 Cyl.
ERH = ENGINE - 4.0L POWER TECH I-6

TRANSMISSION

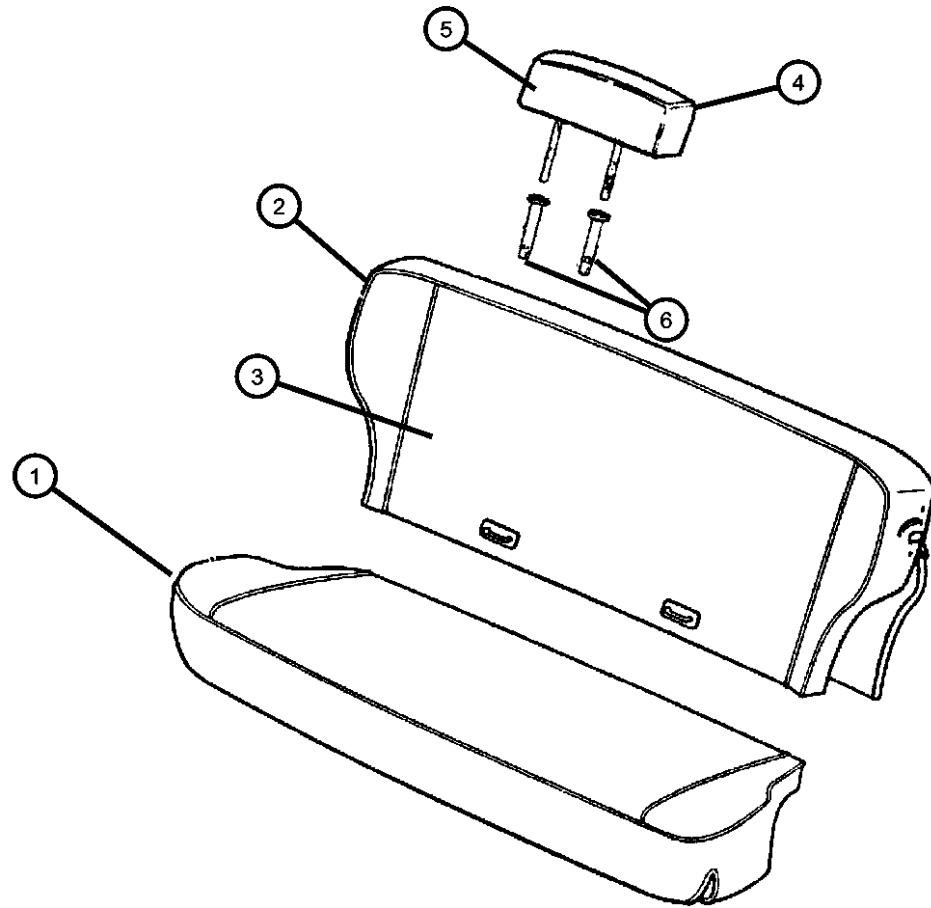
DDD = TRANSMISSION - 5-SPEED HD MANUAL
DDQ = TRANSMISSION - 5-SPEED MANUAL
DGD = TRANSMISSION - 3-SPD. AUTOMATIC,30RH
DGK = TRANSMISSION - 4-SPD. AUTOMATIC,42RE
DGS = TRANSMISSION-4SPD. AUTO,AISIN WARNER
DGT = TRANSMISSION - 4-SPD. AUTOMATIC,46RE
DGW = TRANSMISSION - 4-SPD. AUTOMATIC,44RE
DGX = TRANSMISSION - 4-SPEED AUTOMATIC
DBB = ALL MANUAL TRANSMISSIONS
DGO = ALL AUTOMATIC TRANSMISSIONS

AR = use ase required - = Non illustrated part

2000 XJ

**Covers, Seat Upholstery
Figure IXJ-620**

ITEM	PART NUMBER	QTY	LINE	SERIES	BODY	ENGINE	TRANS	TRIM	DESCRIPTION
	0TN351K5AA	1	J, T		72			*XJ	[K5], Export
		1	J, T		74			*XJ	[K5], Export
		1	B, U		74			*XJ	[K5], Export
3									COVER, Rear Seat Back
	0TD631AZAA	1	J, T, U		72			*B6	[AZ]
		1	J, T		74			*B6	[AZ]
		1	J, T		74			*X5	[AZ]
		1	B, U		74			*B6	[AZ]
	0TD631K5AA	1	J, T, U		72			*B6	[K5]
		1	J, T		74			*B6	[K5]
		1	J, T		74			*X5	[K5]
		1	B, U		74			*B6	[K5]
	0TD651AZAA	1	J, T		74			*DL	[AZ]
	0TD651K5AA	1	J, T		74			*DL	[K5]
	0TD671AZAA	1	J, T		74			*DL	[AZ], Export
		1	B, U		74			*DL	[AZ], Export
	0TD671K5AA	1	J, T		74			*DL	[K5], Export
		1	B, U		74			*DL	[K5], Export
	0TD691AZAA	1	J, T		72			*M5	[AZ]
		1	J, T		74			*M5	[AZ]
		1	B, U		74			*M5	[AZ]
	0TD691K5AA	1	J, T		72			*M5	[K5]
		1	J, T		74			*M5	[K5]
		1	B, U		74			*M5	[K5]
	0TD711AZAA	1	J, T		74			*XJ	[AZ]



CHEROKEE (XJ)

SERIES

H = Sport
L = SE
P = Classic
S = Limited

LINE

T = JEEP - 2WD
B = JEEP - 2WD (RHD)
J = JEEP - 4WD
U = JEEP - 4WD (RHD)

BODY

74 = 4 Dr (101.4WB)
72 = 2 Dr (101.4WB)

ENGINE

ENC = ENGINE - 2.5L 4 CYL TURBO DIESEL
EPE = ENGINE - 2.5L POWER TECH I-4 Cyl.
ERH = ENGINE - 4.0L POWER TECH I-6

TRANSMISSION

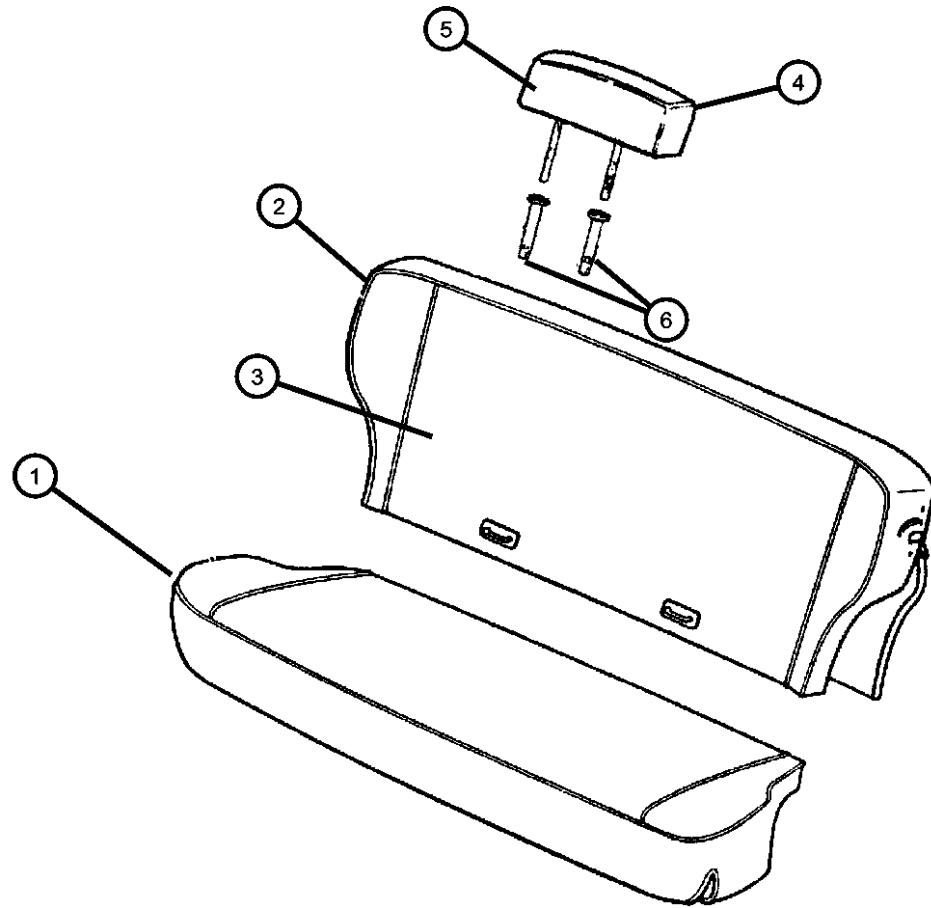
DDD = TRANSMISSION - 5-SPEED HD MANUAL
DDQ = TRANSMISSION - 5-SPEED MANUAL
DGD = TRANSMISSION - 3-SPD. AUTOMATIC,30RH
DGK = TRANSMISSION - 4-SPD. AUTOMATIC,42RE
DGS = TRANSMISSION-4SPD. AUTO,AISIN WARNER
DGT = TRANSMISSION - 4-SPD. AUTOMATIC,46RE
DGW = TRANSMISSION - 4-SPD. AUTOMATIC,44RE
DGX = TRANSMISSION - 4-SPEED AUTOMATIC
DBB = ALL MANUAL TRANSMISSIONS
DGO = ALL AUTOMATIC TRANSMISSIONS

AR = use ase required - = Non illustrated part

2000 XJ

**Covers, Seat Upholstery
Figure IXJ-620**

ITEM	PART NUMBER	QTY	LINE	SERIES	BODY	ENGINE	TRANS	TRIM	DESCRIPTION
	0TD711K5AA	1	J, T		74			*XJ	[K5]
	0TD731AZAA	1	J, T		72			*XJ	[AZ], Export
		1	J, T		74			*XJ	[AZ], Export
		1	B, U		74			*XJ	[AZ], Export
	0TD731K5AA	1	J, T		72			*XJ	[K5], Export
		1	J, T		74			*XJ	[K5], Export
		1	B, U		74			*XJ	[K5], Export
4									HEADREST, Rear
	0QW191AZAA	1	J, T		74			*DL	[AZ], Export
		1	B, U		74			*DL	[AZ], Export
	0QW191K5AA	1	J, T		74			*DL	[K5], Export
		1	B, U		74			*DL	[K5], Export
	0TV691AZAA	2	B, U		74			*DL	[AZ]
		2	J, T		74			*DL	[AZ]
	0TV691K5AA	2	B, U		74			*DL	[K5]
		2	J, T		74			*DL	[K5]
	0TV711AZAA	2	J, T		72			*XJ	[AZ]
		2	J, T		74			*XJ	[AZ]
		2	B, U		74			*XJ	[AZ]
	0TV711K5AA	2	J, T		72			*XJ	[K5]
		2	J, T		74			*XJ	[K5]
		2	B, U		74			*XJ	[K5]
5									COVER, Seat Headrest
	0QW201AZAA	2	J, T		74			*DL	[AZ]
		2	B, U		74			*DL	[AZ]



CHEROKEE (XJ)

SERIES

H = Sport
L = SE
P = Classic
S = Limited

LINE

T = JEEP - 2WD
B = JEEP - 2WD (RHD)
J = JEEP - 4WD
U = JEEP - 4WD (RHD)

BODY

74 = 4 Dr (101.4WB)
72 = 2 Dr (101.4WB)

ENGINE

ENC = ENGINE - 2.5L 4 CYL
TURBO DIESEL
EPE = ENGINE - 2.5L POWER
TECH I-4 Cyl.
ERH = ENGINE - 4.0L
POWER TECH I-6

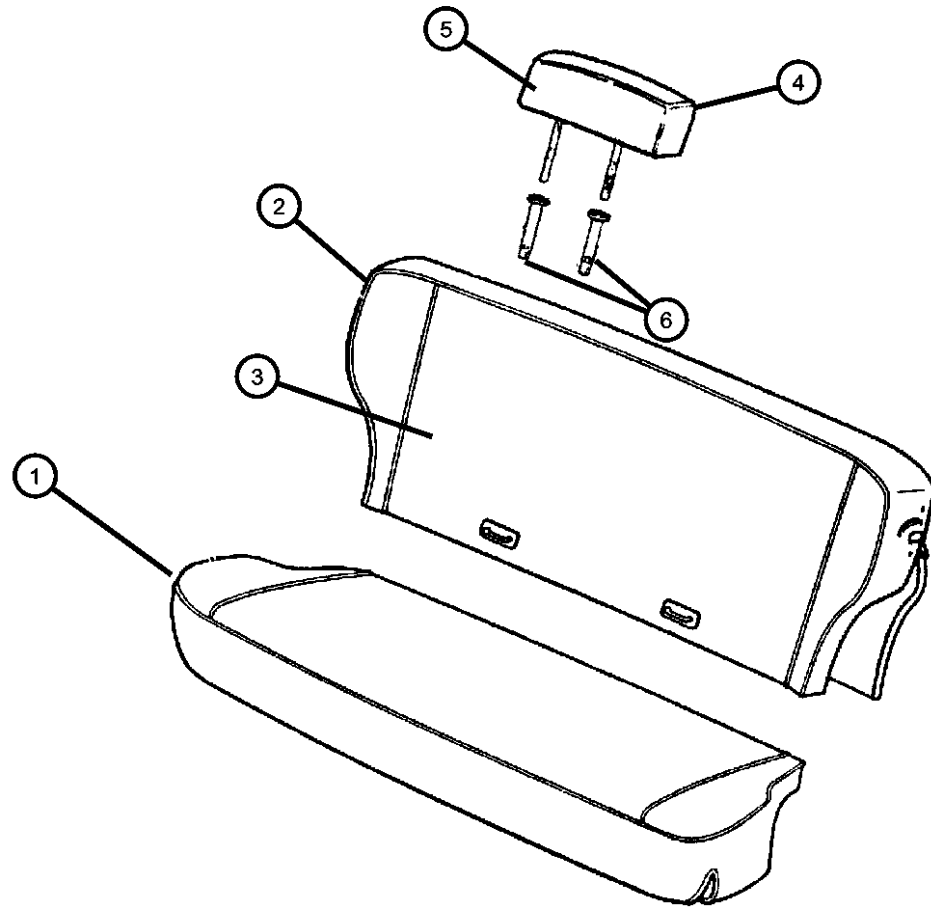
TRANSMISSION

DDD = TRANSMISSION - 5-SPEED
HD MANUAL
DDQ = TRANSMISSION - 5-SPEED
MANUAL
DGD = TRANSMISSION - 3-SPD.
AUTOMATIC,30RH
DGK = TRANSMISSION - 4-SPD.
AUTOMATIC,42RE
DGS = TRANSMISSION-4SPD.
AUTO,AISIN WARNER
DGT = TRANSMISSION - 4-SPD.
AUTOMATIC,46RE
DGW = TRANSMISSION - 4-SPD.
AUTOMATIC,44RE
DGX = TRANSMISSION - 4-SPEED
AUTOMATIC
DBB = ALL MANUAL
TRANSMISSIONS
DGO = ALL AUTOMATIC
TRANSMISSIONS

AR = use ase required - = Non illustrated part

2000 XJ

**Covers, Seat Upholstery
Figure IXJ-620**



ITEM	PART NUMBER	QTY	LINE	SERIES	BODY	ENGINE	TRANS	TRIM	DESCRIPTION
	0QW201K5AA	2	B, U		74			*DL	[K5]
		2	J, T		74			*DL	[K5]
	0QW651AZAA	2	J, T		72			*XJ	[AZ]
		2	J, T		74			*XJ	[AZ]
		2	B, U		74			*XJ	[AZ]
	0QW651K5AA	1	B, U		74			*XJ	[K5]
		1	J, T		74			*XJ	[K5]
		2	J, T		72			*XJ	[K5]
	0TV701AZAA	2	B, U		74			*DL	[AZ], Export
		2	J, T		74			*DL	[AZ], Export
	0TV701K5AA	2	B, U		74			*DL	[K5], Export
		2	J, T		74			*DL	[K5], Export
	0TV721AZAA	2	J, T		72			*XJ	[AZ], Export
		2	J, T		74			*XJ	[AZ], Export
		2	B, U		74			*XJ	[AZ], Export
	0TV721K5AA	2	J, T		72			*XJ	[K5], Export
		2	J, T		74			*XJ	[K5], Export
		2	B, U		74			*XJ	[K5], Export
6	05016551AA	4	J, T		72			*XJ	CYLINDER, Headrest
		4	J, T		74			*XJ	
		4	B, U		74			*XJ	
		4	B, U		74			*DL	
		4	J, T		74			*DL	
-7	55315034AA	1							TETHER, Child Seat

CHEROKEE (XJ)

SERIES	LINE
H = Sport	T = JEEP - 2WD
L = SE	B = JEEP - 2WD (RHD)
P = Classic	J = JEEP - 4WD
S = Limited	U = JEEP - 4WD (RHD)

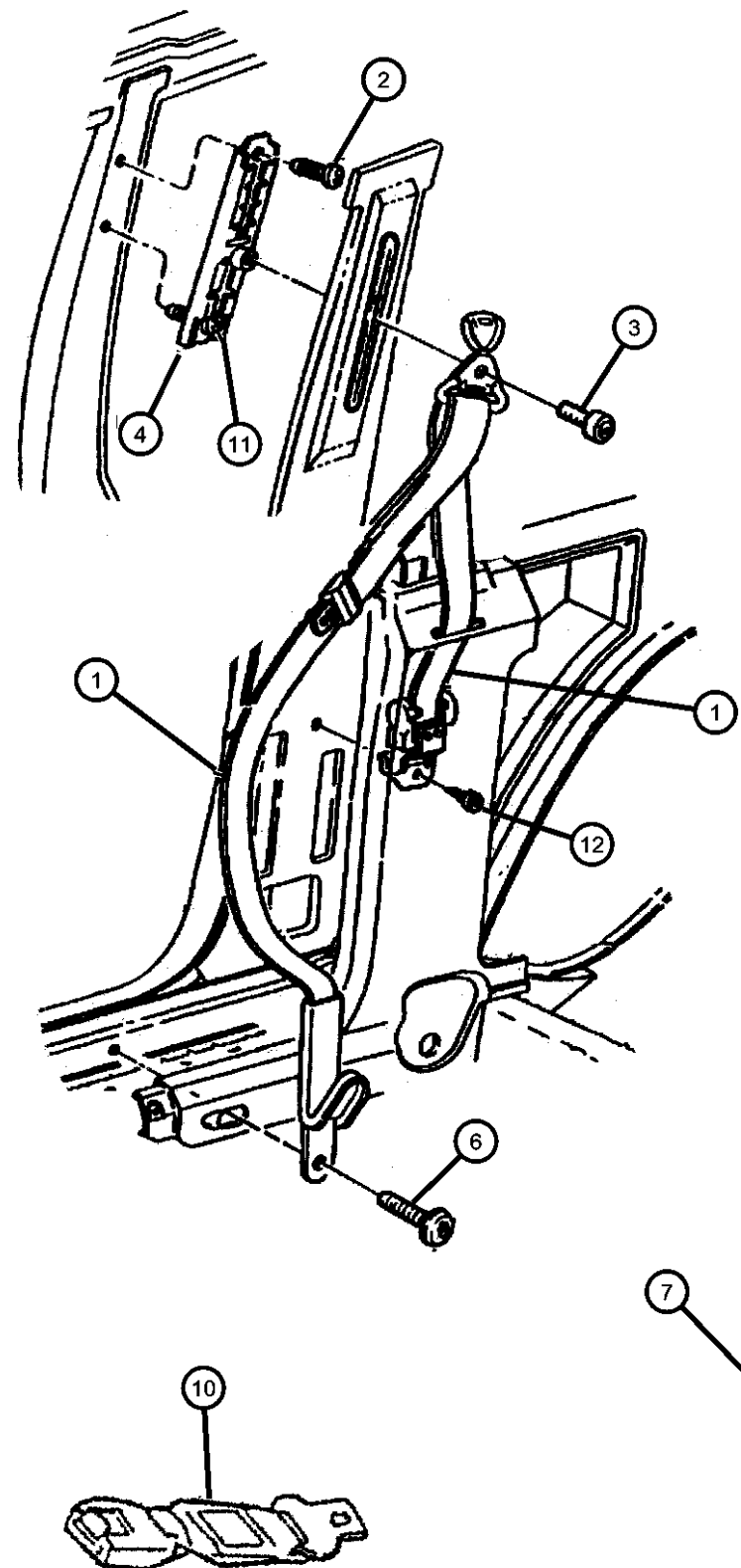
BODY
74 = 4 Dr (101.4WB)
72 = 2 Dr (101.4WB)

ENGINE
ENC = ENGINE - 2.5L 4 CYL TURBO DIESEL
EPE = ENGINE - 2.5L POWER TECH I-4 Cyl.
ERH = ENGINE - 4.0L POWER TECH I-6

TRANSMISSION
DDD = TRANSMISSION - 5-SPEED HD MANUAL
DDQ = TRANSMISSION - 5-SPEED MANUAL
DGD = TRANSMISSION - 3-SPD. AUTOMATIC,30RH
DGK = TRANSMISSION - 4-SPD. AUTOMATIC,42RE
DGS = TRANSMISSION-4SPD. AUTO,AISIN WARNER
DGT = TRANSMISSION - 4-SPD. AUTOMATIC,46RE
DGW = TRANSMISSION - 4-SPD. AUTOMATIC,44RE
DGX = TRANSMISSION - 4-SPEED AUTOMATIC
DBB = ALL MANUAL TRANSMISSIONS
DGO = ALL AUTOMATIC TRANSMISSIONS

AR = use ase required - = Non illustrated part

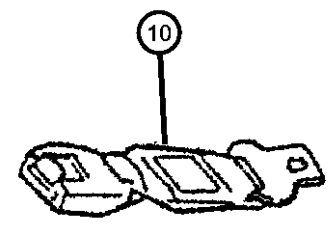
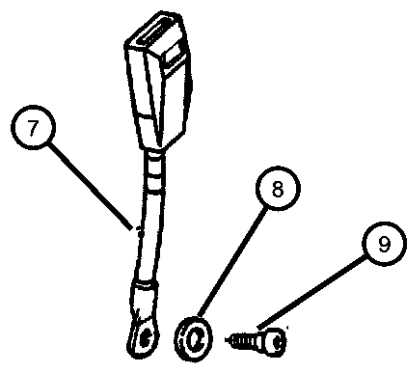
Seat Belts, Front Seat 2 Door
Figure IXJ-710



ITEM	PART NUMBER	QTY	LINE	SERIES	BODY	ENGINE	TRANS	TRIM	DESCRIPTION
1	5EZ14LAZAE	1	J, T, U		72			*O0	SEAT BELT, Front Outer Right
	5EZ15LAZAE	1	J, T, U		72			*O0	Left
	5GG66LAZAB	2	J, U		72			*O0	Export
2	06036295AA	2							SCREW, Pan Head
3	06036095AA	2	J, T, U		72				SCREW, Pan Head
4	55314697AC	2							ADJUSTER, Seat Belt Turning Loop
-5	55352693AA	2	J, T, U		72				SPACER
6	06036294AA	1						*O0	BOLT, Shoulder
7	5EE52LAZ	1	J, T		72			*XJ	SEAT BELT, Front Inner Right
		1	J, T		72			*M5	Right
		1	J, T, U		72			*B6	Right
	5EE53LAZ	1	J, T		72			*M5	Left
		1	J, T, U		72			*B6	Left
	5GA131AZAA	1	J, T		72			*XJ	Left
8	04798898	1	J, T		72			*XJ	WASHER, Seat Belt Attaching
		1	J, T		72			*M5	
9	06035115	1	J, T		72			*XJ	SCREW, Button Head, .375-24x.62
		2	J, T		72			*M5	
		2	J, T, U		72			*B6	
10	04740415	1							EXTENDER, Seat Belt

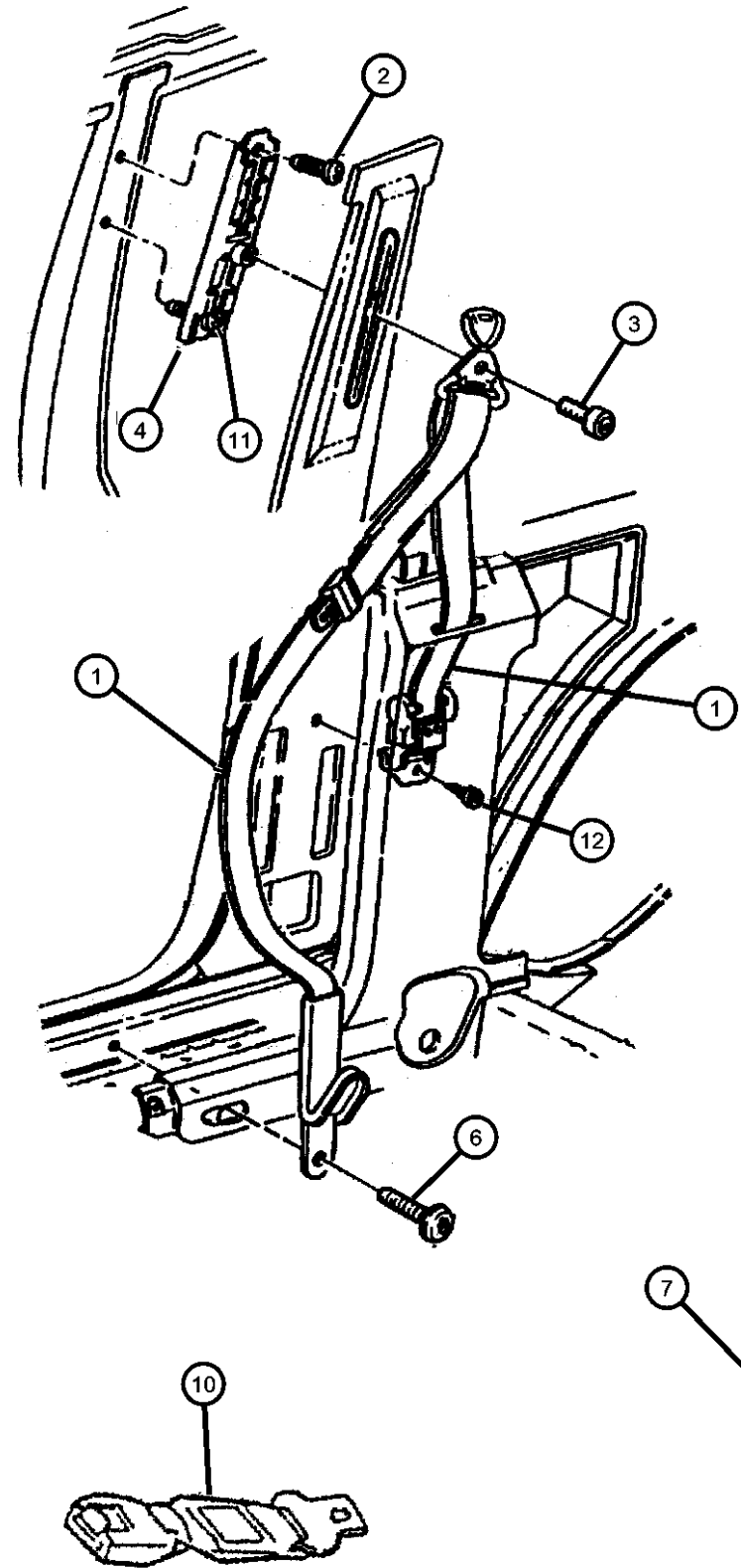
CHEROKEE (XJ)

SERIES	LINE	BODY	ENGINE	TRANSMISSION
H = Sport	T = JEEP - 2WD	74 = 4 Dr (101.4WB)	ENC = ENGINE - 2.5L 4 CYL TURBO DIESEL	DDD = TRANSMISSION - 5-SPEED HD MANUAL
L = SE	B = JEEP - 2WD (RHD)	72 = 2 Dr (101.4WB)	EPE = ENGINE - 2.5L POWER TECH I-4 Cyl.	DDQ = TRANSMISSION - 5-SPEED MANUAL
P = Classic	J = JEEP - 4WD		ERH = ENGINE - 4.0L POWER TECH I-6	DGD = TRANSMISSION - 3-SPD. AUTOMATIC,30RH
S = Limited	U = JEEP - 4WD (RHD)			DGK = TRANSMISSION - 4-SPD. AUTOMATIC,42RE
				DGS = TRANSMISSION-4SPD. AUTO,AISIN WARNER
				DGT = TRANSMISSION - 4-SPD. AUTOMATIC,46RE
				DGW = TRANSMISSION - 4-SPD. AUTOMATIC,44RE
				DGX = TRANSMISSION - 4-SPEED AUTOMATIC
				DBB = ALL MANUAL TRANSMISSIONS
				DGO = ALL AUTOMATIC TRANSMISSIONS



AR = use ase required - = Non illustrated part

Seat Belts, Front Seat 2 Door
Figure IXJ-710



ITEM	PART NUMBER	QTY	LINE	SERIES	BODY	ENGINE	TRANS	TRIM	DESCRIPTION
------	-------------	-----	------	--------	------	--------	-------	------	-------------

11	06502985	2							SCREW, Hex Head, M10x1.5x30
12	06034384	2							SCREW, Pan Head, .437-20x1.15

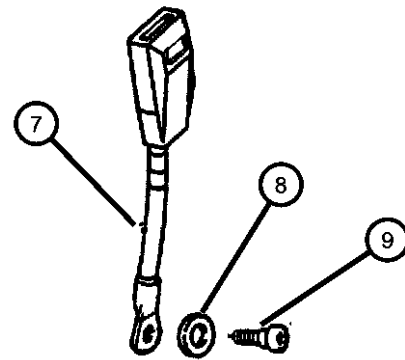
CHEROKEE (XJ)

SERIES	LINE
H = Sport	T = JEEP - 2WD
L = SE	B = JEEP - 2WD (RHD)
P = Classic	J = JEEP - 4WD
S = Limited	U = JEEP - 4WD (RHD)

BODY
74 = 4 Dr (101.4WB)
72 = 2 Dr (101.4WB)

ENGINE
ENC = ENGINE - 2.5L 4 CYL TURBO DIESEL
EPE = ENGINE - 2.5L POWER TECH I-4 Cyl.
ERH = ENGINE - 4.0L POWER TECH I-6

TRANSMISSION
DDD = TRANSMISSION - 5-SPEED HD MANUAL
DDQ = TRANSMISSION - 5-SPEED MANUAL
DGD = TRANSMISSION - 3-SPD. AUTOMATIC,30RH
DGK = TRANSMISSION - 4-SPD. AUTOMATIC,42RE
DGS = TRANSMISSION-4SPD. AUTO,AISIN WARNER
DGT = TRANSMISSION - 4-SPD. AUTOMATIC,46RE
DGW = TRANSMISSION - 4-SPD. AUTOMATIC,44RE
DGX = TRANSMISSION - 4-SPEED AUTOMATIC
DBB = ALL MANUAL TRANSMISSIONS
DGO = ALL AUTOMATIC TRANSMISSIONS



AR = use ase required - = Non illustrated part

2000 XJ

Seat Belts, Front Seat 4 Door
Figure IXJ-720

ITEM	PART NUMBER	QTY	LINE	SERIES	BODY	ENGINE	TRANS	TRIM	DESCRIPTION
1	5FM30LAZAF	1			74			*O0	SEAT BELT, Front Outer Right
	5FM31LAZAF	1			74			*O0	Left
	5GG68LAZAC	1	J, U		74			*O0	Right, Export
	5GG69LAZAC	1	J, U		74			*O0	Left, Export
	06036295AA	2							SCREW, Pan Head
3	06506393AA	2							SCREW, Hex Head, M10x1.5x30
4	55314697AC	2							ADJUSTER, Seat Belt Turning Loop
5	55314697AC	2							SCREW, Pan Head, .437-20x1.375, (NOT REQUIRED)
6	5EE52LAZ	1	J, T		74			*X5	SEAT BELT, Front Inner Manual Seats, Right
		1	J, T		74			*M5	Manual Seats, Right
		1	J, T		74			*XJ	Manual Seats, Right
		1	J, T		74			*DL	Manual Seats, Right
		1	J, T		74			*B6	Manual Seats, Right
	5EE53LAZ	1	J, T		74			*X5	Manual Seats, Left
		1	J, T		74			*XJ	Manual Seats, Left
		1	J, T		74			*B6	Manual Seats, Left
		1	J, T		74			*M5	Manual Seats, Left
	5FS24LAZ	1	J, T		74			*XJ	Power Seats, Right
		1	J, T		74			*DL	Power Seats, Right
	5FS25LAZ	1	J, T		74			*M5	Power Seats, Left
		1	J, T		74			*XJ	Power Seats, Left
		1	J, T		74			*DL	Power Seats, Left
	5GA121AZAA	1	B, U		74			*M5	Manual Seats, Right

CHEROKEE (XJ)

SERIES

H = Sport
L = SE
P = Classic
S = Limited

LINE

T = JEEP - 2WD
B = JEEP - 2WD (RHD)
J = JEEP - 4WD
U = JEEP - 4WD (RHD)

BODY

74 = 4 Dr (101.4WB)
72 = 2 Dr (101.4WB)

ENGINE

ENC = ENGINE - 2.5L 4 CYL TURBO DIESEL
EPE = ENGINE - 2.5L POWER TECH I-4 Cyl.
ERH = ENGINE - 4.0L POWER TECH I-6

TRANSMISSION

DDD = TRANSMISSION - 5-SPEED HD MANUAL
DDQ = TRANSMISSION - 5-SPEED MANUAL
DGD = TRANSMISSION - 3-SPD. AUTOMATIC,30RH
DGK = TRANSMISSION - 4-SPD. AUTOMATIC,42RE
DGS = TRANSMISSION-4SPD. AUTO,AISIN WARNER
DGT = TRANSMISSION - 4-SPD. AUTOMATIC,46RE
DGW = TRANSMISSION - 4-SPD. AUTOMATIC,44RE
DGX = TRANSMISSION - 4-SPEED AUTOMATIC
DBB = ALL MANUAL TRANSMISSIONS
DGO = ALL AUTOMATIC TRANSMISSIONS

AR = use ase required - = Non illustrated part

2000 XJ

Seat Belts, Front Seat 4 Door
Figure IXJ-720

ITEM	PART NUMBER	QTY	LINE	SERIES	BODY	ENGINE	TRANS	TRIM	DESCRIPTION
		1	B, U		74			*XJ	Manual Seats, Right
	5GA131AZAA	1	B, U		74			*XJ	Manual Seats, Left
		1	J, T		74			*XJ	Manual Seats, Left, Export
	5GH591AZAA	1	B, U		74			*DL	Power Seats, Left, Export
		1	B, U		74			*XJ	Power Seats, Left, Export
		1	J, T		74			*XJ	Power Seats, Left, Export
	5GH601AZAA	1	B, U		74			*DL	Power Seats, Left, Export
		1	B, U		74			*XJ	Power Seats, Right
		1	B, U		74			*DL	Power Seats, Right, Export
7	04798898	1	J, T		74			*M5	WASHER, Seat Belt Attaching
		1	J, T		74			*DL	
		1	J, T		74			*XJ	
		1	B, U		74			*XJ	
		1	J, T		74			*X5	
		1	B, U		74			*M5	
		1	B, U		74			*B6	
		1	B, U		74			*DL	
		1	J, T		74			*B6	
8	06035115	2	B, U		74			*DL	SCREW, Button Head, .375-24x.62
		2	J, T		74			*XJ	
		2	J, T		74			*DL	
		2	B, U		74			*XJ	
		2	B, U		74			*B6	

CHEROKEE (XJ)

SERIES

H = Sport
L = SE
P = Classic
S = Limited

LINE

T = JEEP - 2WD
B = JEEP - 2WD (RHD)
J = JEEP - 4WD
U = JEEP - 4WD (RHD)

BODY

74 = 4 Dr (101.4WB)
72 = 2 Dr (101.4WB)

ENGINE

ENC = ENGINE - 2.5L 4 CYL
TURBO DIESEL
EPE = ENGINE - 2.5L POWER
TECH I-4 Cyl.
ERH = ENGINE - 4.0L
POWER TECH I-6

TRANSMISSION

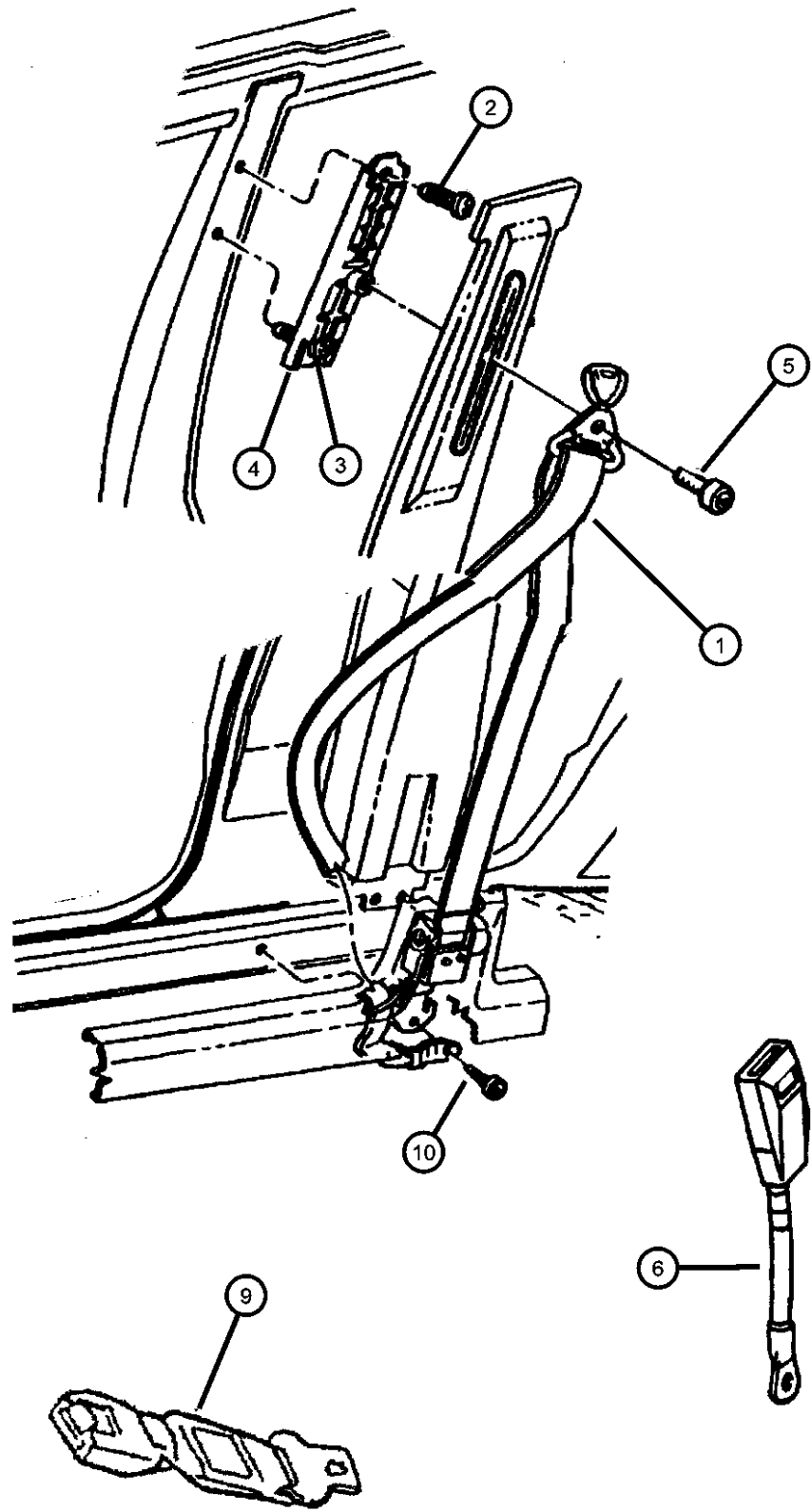
DDD = TRANSMISSION - 5-SPEED
HD MANUAL
DDQ = TRANSMISSION - 5-SPEED
MANUAL
DGD = TRANSMISSION - 3-SPD.
AUTOMATIC,30RH
DGK = TRANSMISSION - 4-SPD.
AUTOMATIC,42RE
DGS = TRANSMISSION-4SPD.
AUTO,AISIN WARNER
DGT = TRANSMISSION - 4-SPD.
AUTOMATIC,46RE
DGW = TRANSMISSION - 4-SPD.
AUTOMATIC,44RE
DGX = TRANSMISSION - 4-SPEED
AUTOMATIC
DBB = ALL MANUAL
TRANSMISSIONS
DGO = ALL AUTOMATIC
TRANSMISSIONS

AR = use ase required - = Non illustrated part

2000 XJ

Seat Belts, Front Seat 4 Door
Figure IXJ-720

ITEM	PART NUMBER	QTY	LINE	SERIES	BODY	ENGINE	TRANS	TRIM	DESCRIPTION
		2	J, T		74			*B6	
		2	J, T		74			*M5	
		2	B, U		74			*M5	
		2	J, T		74			*X5	
9	04740415	1							EXTENDER, Seat Belt
10	06036294AA	1						*O0	BOLT, Shoulder



CHEROKEE (XJ)

SERIES	LINE
H = Sport	T = JEEP - 2WD
L = SE	B = JEEP - 2WD (RHD)
P = Classic	J = JEEP - 4WD
S = Limited	U = JEEP - 4WD (RHD)

BODY
74 = 4 Dr (101.4WB)
72 = 2 Dr (101.4WB)

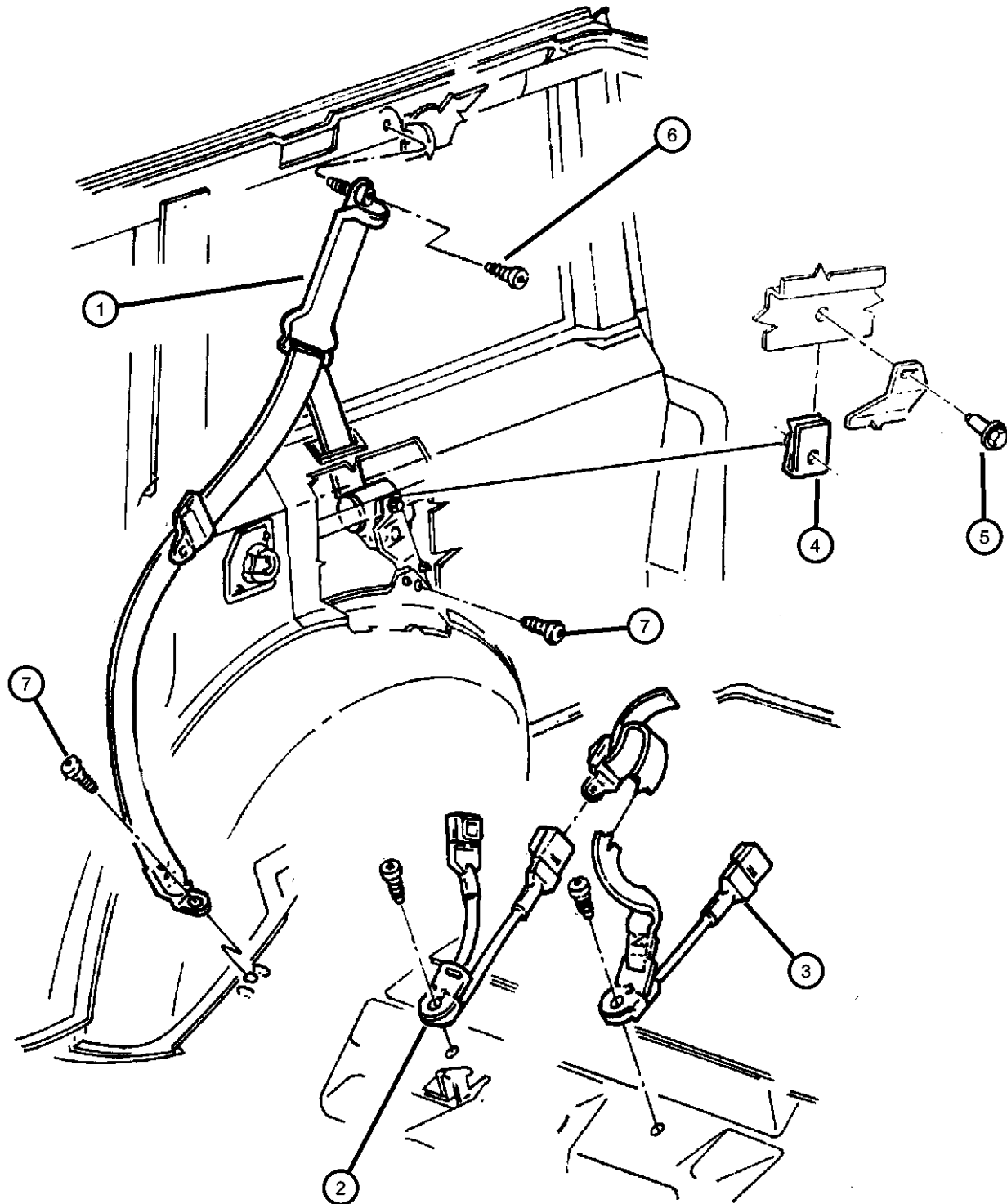
ENGINE
ENC = ENGINE - 2.5L 4 CYL TURBO DIESEL
EPE = ENGINE - 2.5L POWER TECH I-4 Cyl.
ERH = ENGINE - 4.0L POWER TECH I-6

TRANSMISSION
DDD = TRANSMISSION - 5-SPEED HD MANUAL
DDQ = TRANSMISSION - 5-SPEED MANUAL
DGD = TRANSMISSION - 3-SPD. AUTOMATIC,30RH
DGK = TRANSMISSION - 4-SPD. AUTOMATIC,42RE
DGS = TRANSMISSION-4SPD. AUTO,AISIN WARNER
DGT = TRANSMISSION - 4-SPD. AUTOMATIC,46RE
DGW = TRANSMISSION - 4-SPD. AUTOMATIC,44RE
DGX = TRANSMISSION - 4-SPEED AUTOMATIC
DBB = ALL MANUAL TRANSMISSIONS
DGO = ALL AUTOMATIC TRANSMISSIONS

AR = use ase required - = Non illustrated part

2000 XJ

Seat Belts, Rear Seats
Figure IXJ-730



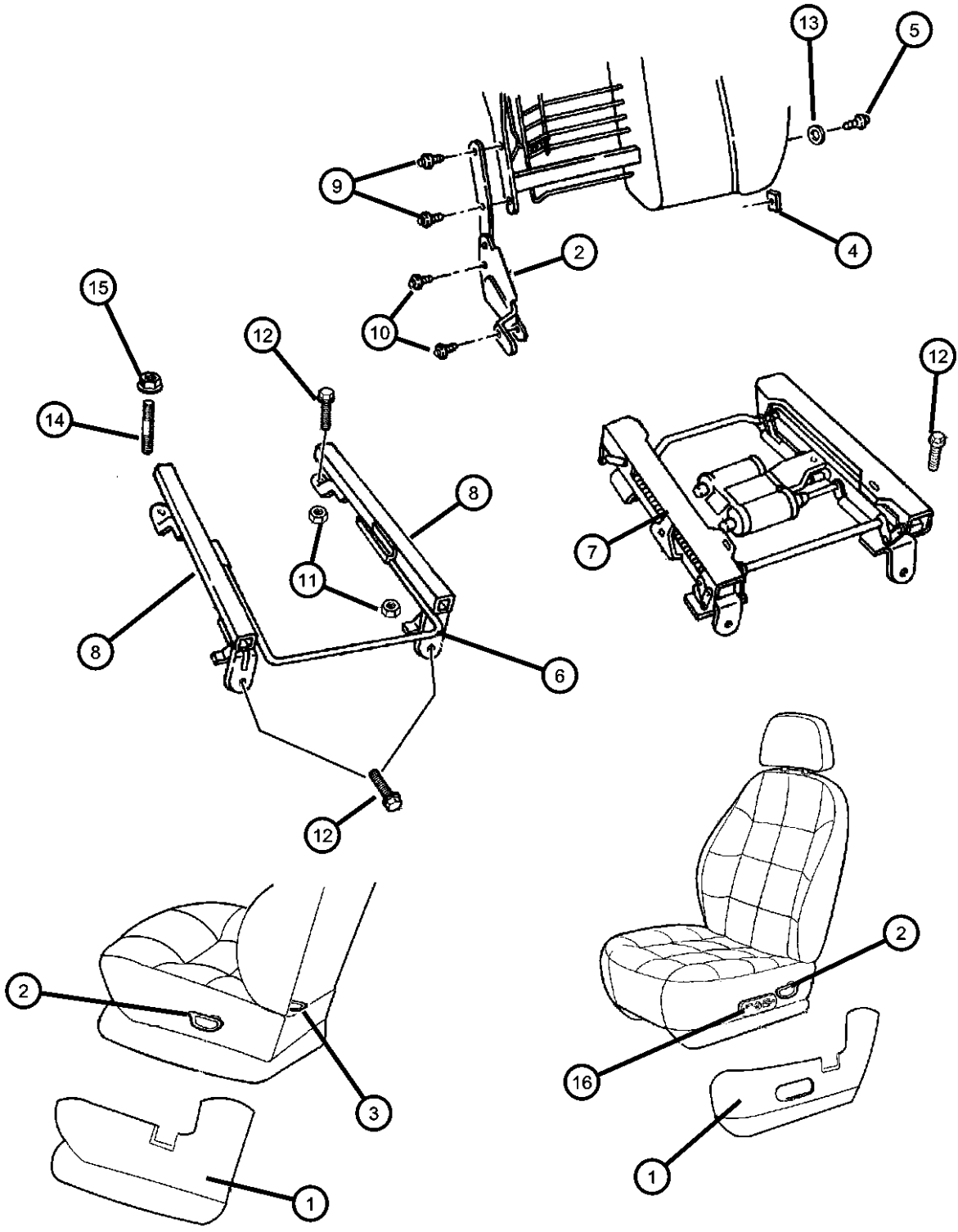
ITEM	PART NUMBER	QTY	LINE	SERIES	BODY	ENGINE	TRANS	TRIM	DESCRIPTION
1	5FG521K5AF	1						*00	SEAT BELT, Outer [K5], Right
	5FG52LAZAF	1						*00	[AZ], Right
	5FG531K5AG	1						*00	[K5], Left
	5FG53LAZAG	1						*00	[AZ], Left
	5GG701K5AC	1						*00	[K5], Right, Export
	5GG70LAZAC	1						*00	[AZ], Right, Export
	5GG711K5AC	1						*00	[K5], Left, Export
	5GG71LAZAC	1						*00	[AZ], Left, Export
2	5FG50LAZAB	1						*00	SEAT BELT, Two BucklesRight
3	5FG51LAZAB	1						*00	SEAT BELT, Buckle And Tip Left
	5FT53LAZAC	1						*00	Left, Export
4	06504118	2							U-NUT, M6 x 1.00, M6x1.00
5	34201807	2							BOLT, Hex Flange Head, M6x1.00x16
6	34201807	2							SCREW, Pan Head Shoulder, .437-20x1.87, (NOT REQUIRED)
7	06036295AA	2							SCREW, Pan Head
-8	55315034AA	1							TETHER, Child Seat, CANADA

CHEROKEE (XJ)

SERIES	LINE	BODY	ENGINE	TRANSMISSION
H = Sport	T = JEEP - 2WD	74 = 4 Dr (101.4WB)	ENC = ENGINE - 2.5L 4 CYL TURBO DIESEL	DDD = TRANSMISSION - 5-SPEED HD MANUAL
L = SE	B = JEEP - 2WD (RHD)	72 = 2 Dr (101.4WB)	EPE = ENGINE - 2.5L POWER TECH I-4 Cyl.	DDQ = TRANSMISSION - 5-SPEED MANUAL
P = Classic	J = JEEP - 4WD		ERH = ENGINE - 4.0L POWER TECH I-6	DGD = TRANSMISSION - 3-SPD. AUTOMATIC,30RH
S = Limited	U = JEEP - 4WD (RHD)			DGK = TRANSMISSION - 4-SPD. AUTOMATIC,42RE
				DGS = TRANSMISSION-4SPD. AUTO,AISIN WARNER
				DGT = TRANSMISSION - 4-SPD. AUTOMATIC,46RE
				DGW = TRANSMISSION - 4-SPD. AUTOMATIC,44RE
				DGX = TRANSMISSION - 4-SPEED AUTOMATIC
				DBB = ALL MANUAL TRANSMISSIONS
				DGO = ALL AUTOMATIC TRANSMISSIONS

AR = use ase required - = Non illustrated part

**Recliner and Adjuster
Figure IXJ-810**



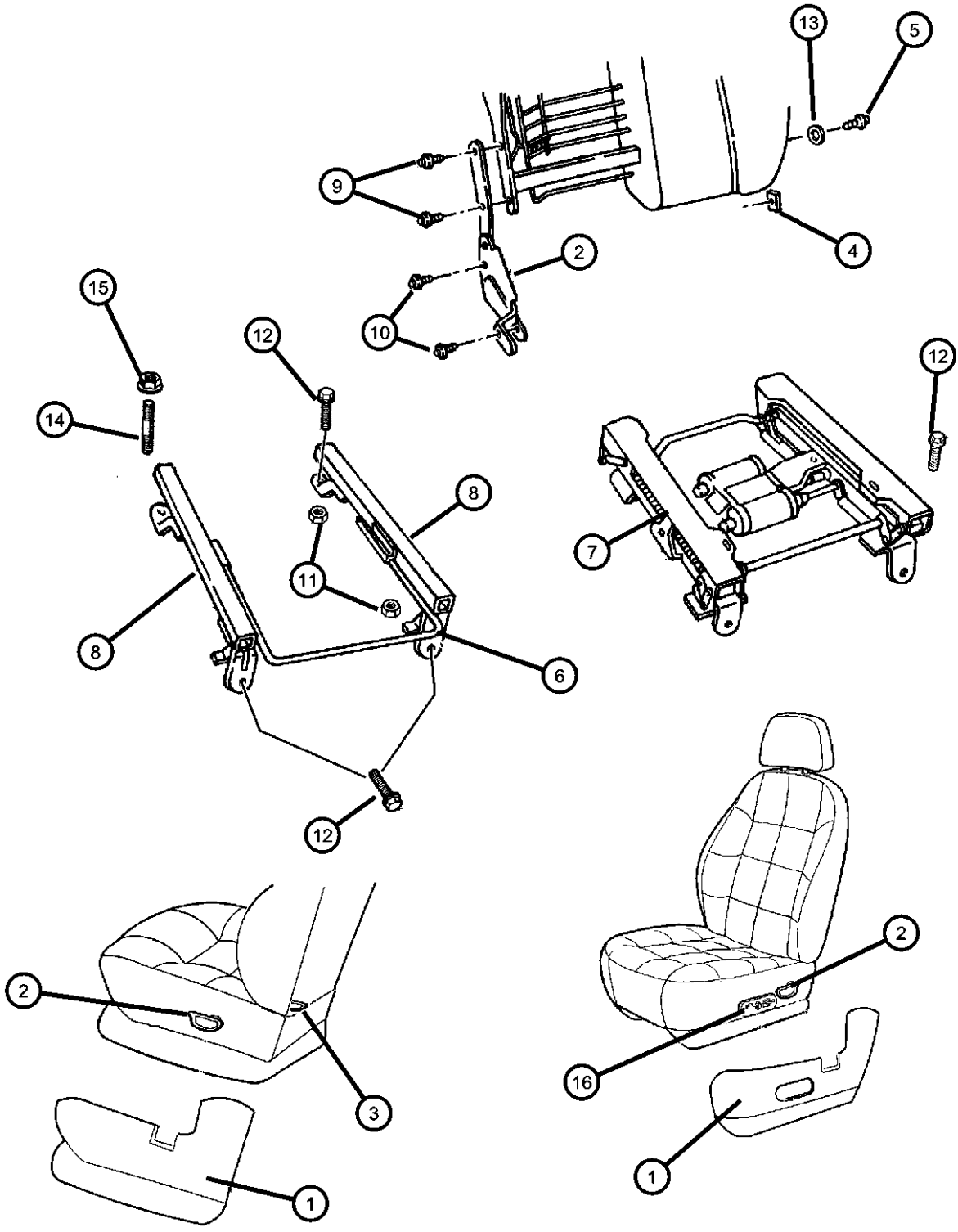
ITEM	PART NUMBER	QTY	LINE	SERIES	BODY	ENGINE	TRANS	TRIM	DESCRIPTION
1									SHIELD, Seat Cushion
	0RA701AZAA	1	J, T		74			*DL	[AZ], With Power, Right
		1	J, T		72			*XJ	[AZ], With Power, Right
		1	J, T		74			*XJ	[AZ], With Power, Right
		1	B, U		74			*XJ	[AZ], With Power, Right
		1	B, U		74			*DL	[AZ], With Power, Right
	0RA701K5AA	1	J, T		74			*DL	[K5], With Power, Right
		1	J, T		72			*XJ	[K5], With Power, Right
		1	J, T		74			*XJ	[K5], With Power, Right
		1	B, U		74			*DL	[K5], With Power, Right
		1	B, U		74			*XJ	[K5], With Power, Right
	0RA711AZAA	1	J, T		74			*DL	[AZ], With Power, Left
		1	J, T		72			*XJ	[AZ], With Power, Left
		1	J, T		74			*M5	[AZ], With Power, Left
		1	B, U		74			*DL	[AZ], With Power, Left
		1	J, T		74			*XJ	[AZ], With Power, Left
		1	J, T		72			*M5	[AZ], With Power, Left
		1	B, U		74			*XJ	[AZ], With Power, Left
	0RA711K5AA	1	J, T		72			*XJ	[K5], With Power, Left
		1	J, T		74			*M5	[K5], With Power, Left
		1	B, U		74			*DL	[K5], With Power, Left
		1	B, U		74			*XJ	[K5], With Power, Left
		1	J, T		74			*XJ	[K5], With Power, Left
		1	J, T		72			*M5	[K5], With Power, Left
		1	J, T		74			*DL	[K5], With Power, Left

CHEROKEE (XJ)

SERIES	LINE	BODY	ENGINE	TRANSMISSION
H = Sport	T = JEEP - 2WD	74 = 4 Dr (101.4WB)	ENC = ENGINE - 2.5L 4 CYL TURBO DIESEL	DDD = TRANSMISSION - 5-SPEED HD MANUAL
L = SE	B = JEEP - 2WD (RHD)	72 = 2 Dr (101.4WB)	EPE = ENGINE - 2.5L POWER TECH I-4 Cyl.	DDQ = TRANSMISSION - 5-SPEED MANUAL
P = Classic	J = JEEP - 4WD		ERH = ENGINE - 4.0L POWER TECH I-6	DGD = TRANSMISSION - 3-SPD. AUTOMATIC,30RH
S = Limited	U = JEEP - 4WD (RHD)			DGK = TRANSMISSION - 4-SPD. AUTOMATIC,42RE
				DGS = TRANSMISSION-4SPD. AUTO,AISIN WARNER
				DGT = TRANSMISSION - 4-SPD. AUTOMATIC,46RE
				DGW = TRANSMISSION - 4-SPD. AUTOMATIC,44RE
				DGX = TRANSMISSION - 4-SPEED AUTOMATIC
				DBB = ALL MANUAL TRANSMISSIONS
				DGO = ALL AUTOMATIC TRANSMISSIONS

AR = use ase required - = Non illustrated part

**Recliner and Adjuster
Figure IXJ-810**



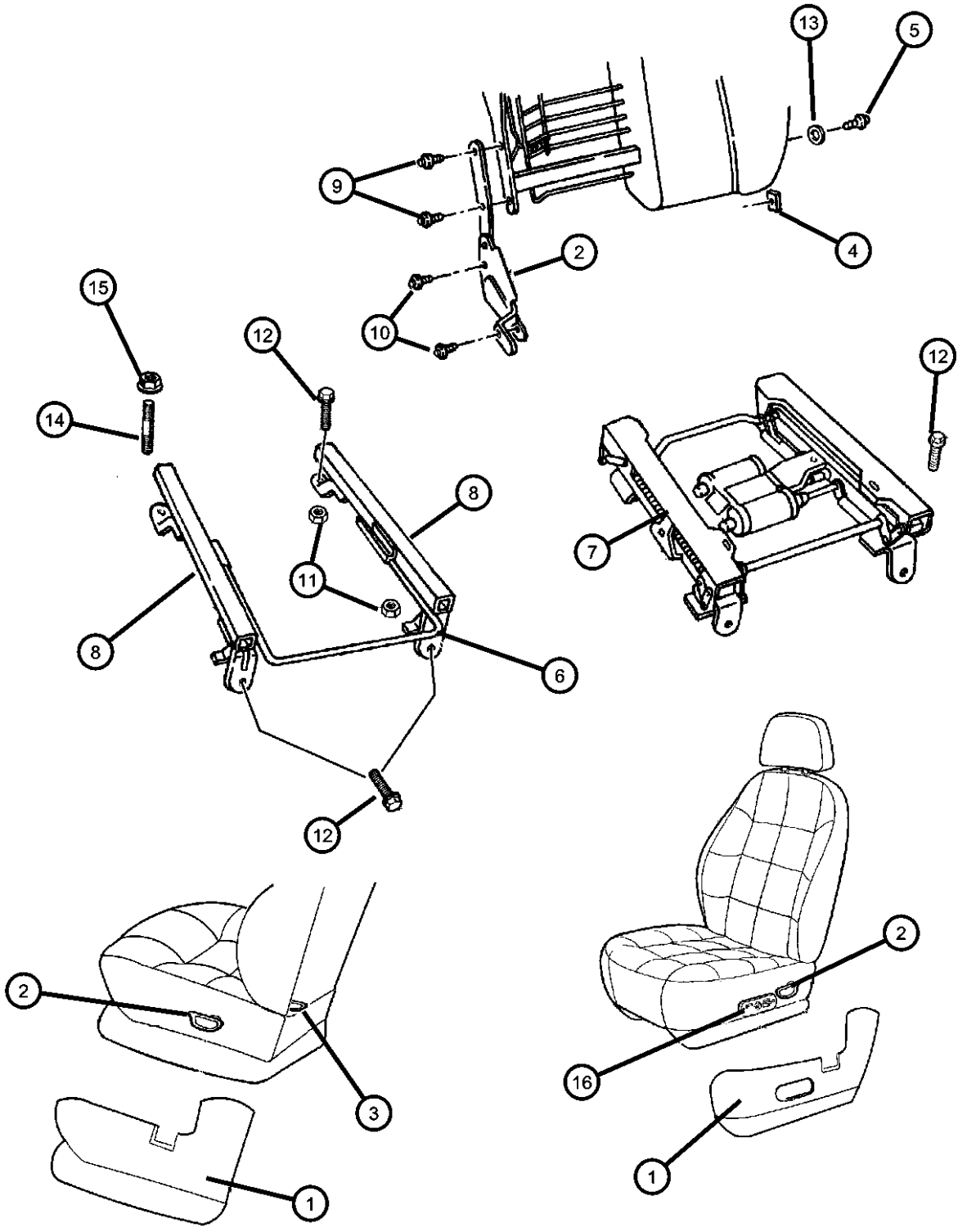
ITEM	PART NUMBER	QTY	LINE	SERIES	BODY	ENGINE	TRANS	TRIM	DESCRIPTION
	0RA721AZAA	1	J, T		74			*M5	[AZ], Manual, Right
		1	J, T		72			*XJ	[AZ], Manual, Right
		1	B, U		74			*B6	[AZ], Manual, Right
		1	J, T		74			*XJ	[AZ], Manual, Right
		1	J, T, U		72			*B6	[AZ], Manual, Right
		1	J, T		74			*B6	[AZ], Manual, Right
		1	J, T		72			*M5	[AZ], Manual, Right
		1	B, U		74			*XJ	[AZ], Manual, Right
		1	J, T		74			*X5	[AZ], Manual, Right
		1	B, U		74			*M5	[AZ], Manual, Right
		1	J, T		74			*DL	[AZ], Manual, Right
	0RA721K5AA	1	J, T		74			*M5	[K5], Manual, Right
		1	J, T		74			*DL	[K5], Manual, Right
		1	J, T		72			*XJ	[K5], Manual, Right
		1	J, T		74			*X5	[K5], Manual, Right
		1	B, U		74			*M5	[K5], Manual, Right
		1	B, U		74			*B6	[K5], Manual, Right
		1	J, T		74			*XJ	[K5], Manual, Right
		1	J, T, U		72			*B6	[K5], Manual, Right
		1	J, T		74			*B6	[K5], Manual, Right
		1	J, T		72			*M5	[K5], Manual, Right
		1	B, U		74			*XJ	[K5], Manual, Right
	0RA731AZAA	1	J, T		74			*M5	[AZ], Manual, Left
		1	J, T		72			*XJ	[AZ], Manual, Left
		1	J, T		74			*XJ	[AZ], Manual, Left

CHEROKEE (XJ)

SERIES	LINE	BODY	ENGINE	TRANSMISSION
H = Sport	T = JEEP - 2WD	74 = 4 Dr (101.4WB)	ENC = ENGINE - 2.5L 4 CYL TURBO DIESEL	DDD = TRANSMISSION - 5-SPEED HD MANUAL
L = SE	B = JEEP - 2WD (RHD)	72 = 2 Dr (101.4WB)	EPE = ENGINE - 2.5L POWER TECH I-4 Cyl.	DDQ = TRANSMISSION - 5-SPEED MANUAL
P = Classic	J = JEEP - 4WD		ERH = ENGINE - 4.0L POWER TECH I-6	DGD = TRANSMISSION - 3-SPD. AUTOMATIC,30RH
S = Limited	U = JEEP - 4WD (RHD)			DGK = TRANSMISSION - 4-SPD. AUTOMATIC,42RE
				DGS = TRANSMISSION-4SPD. AUTO,AISIN WARNER
				DGT = TRANSMISSION - 4-SPD. AUTOMATIC,46RE
				DGW = TRANSMISSION - 4-SPD. AUTOMATIC,44RE
				DGX = TRANSMISSION - 4-SPEED AUTOMATIC
				DBB = ALL MANUAL TRANSMISSIONS
				DGO = ALL AUTOMATIC TRANSMISSIONS

AR = use ase required - = Non illustrated part

**Recliner and Adjuster
Figure IXJ-810**



ITEM	PART NUMBER	QTY	LINE	SERIES	BODY	ENGINE	TRANS	TRIM	DESCRIPTION
------	-------------	-----	------	--------	------	--------	-------	------	-------------

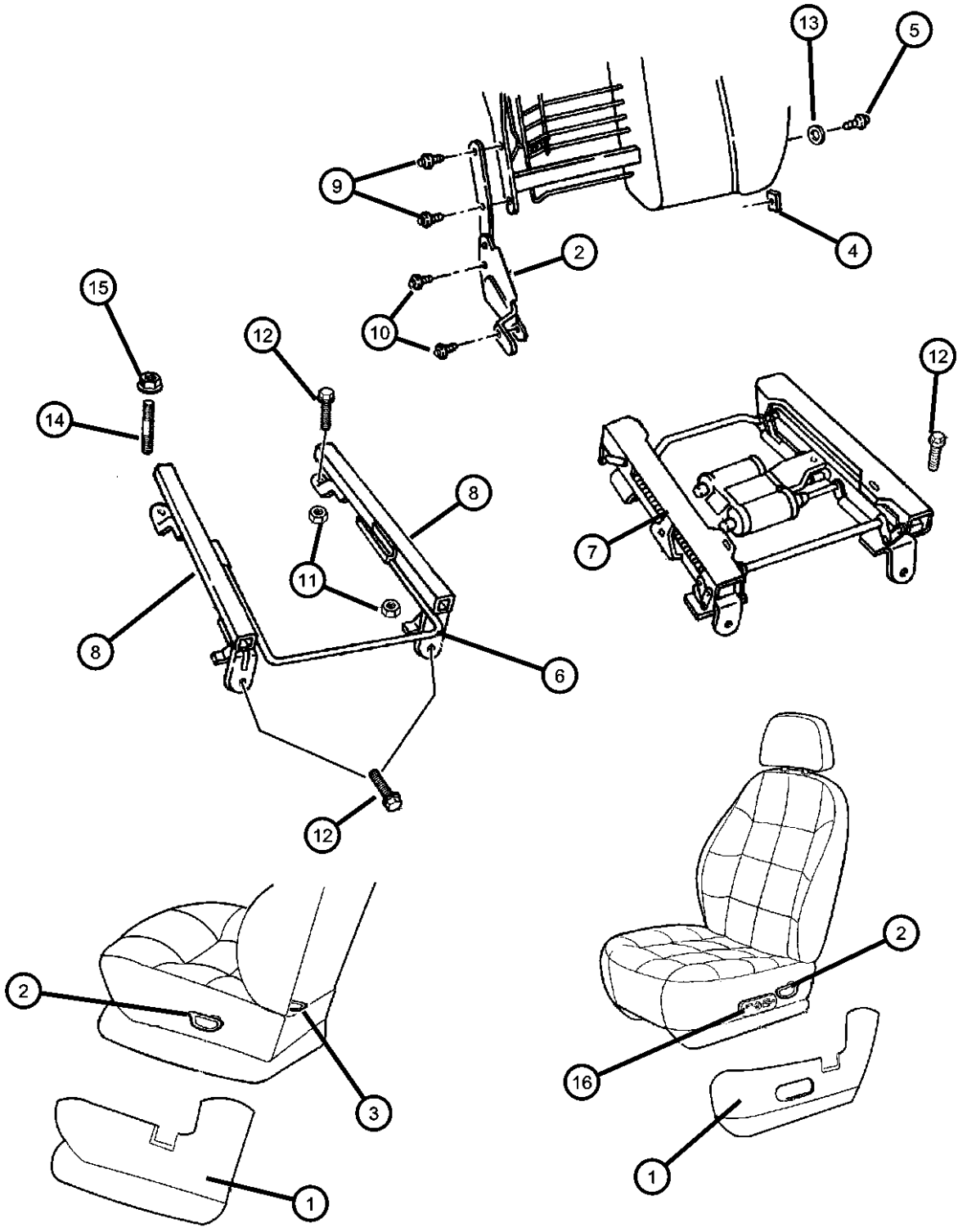
		1	B, U		74			*XJ	[AZ], Manual, Left
		1	B, U		74			*M5	[AZ], Manual, Left
		1	B, U		74			*B6	[AZ], Manual, Left
		1	J, T, U		72			*B6	[AZ], Manual, Left
		1	J, T		74			*B6	[AZ], Manual, Left
		1	J, T		72			*M5	[AZ], Manual, Left
		1	J, T		74			*X5	[AZ], Manual, Left
	ORA731K5AA	1	J, T		74			*M5	[K5], Manual, Left
		1	J, T		72			*XJ	[K5], Manual, Left
		1	J, T		74			*XJ	[K5], Manual, Left
		1	B, U		74			*XJ	[K5], Manual, Left
		1	J, T		74			*X5	[K5], Manual, Left
		1	B, U		74			*M5	[K5], Manual, Left
		1	B, U		74			*B6	[K5], Manual, Left
		1	J, T, U		72			*B6	[K5], Manual, Left
		1	J, T		74			*B6	[K5], Manual, Left
		1	J, T		72			*M5	[K5], Manual, Left
2									RECLINER, Seat Back
	04796712	1	J, T		72			*XJ	Right
		1	J, T		72			*M5	Right
		1	J, T, U		72			*B6	Right
	04796713	1	J, T		72			*XJ	Left
		1	J, T		72			*M5	Left
		1	J, T, U		72			*B6	Left
	04796714	1	J, T		74			*M5	Includes Handle, Right

CHEROKEE (XJ)

SERIES	LINE	BODY	ENGINE	TRANSMISSION
H = Sport	T = JEEP - 2WD	74 = 4 Dr (101.4WB)	ENC = ENGINE - 2.5L 4 CYL TURBO DIESEL	DDD = TRANSMISSION - 5-SPEED HD MANUAL
L = SE	B = JEEP - 2WD (RHD)	72 = 2 Dr (101.4WB)	EPE = ENGINE - 2.5L POWER TECH I-4 Cyl.	DDQ = TRANSMISSION - 5-SPEED MANUAL
P = Classic	J = JEEP - 4WD		ERH = ENGINE - 4.0L POWER TECH I-6	DGD = TRANSMISSION - 3-SPD. AUTOMATIC,30RH
S = Limited	U = JEEP - 4WD (RHD)			DGK = TRANSMISSION - 4-SPD. AUTOMATIC,42RE
				DGS = TRANSMISSION-4SPD. AUTO,AISIN WARNER
				DGT = TRANSMISSION - 4-SPD. AUTOMATIC,46RE
				DGW = TRANSMISSION - 4-SPD. AUTOMATIC,44RE
				DGX = TRANSMISSION - 4-SPEED AUTOMATIC
				DBB = ALL MANUAL TRANSMISSIONS
				DGO = ALL AUTOMATIC TRANSMISSIONS

AR = use ase required - = Non illustrated part

**Recliner and Adjuster
Figure IXJ-810**



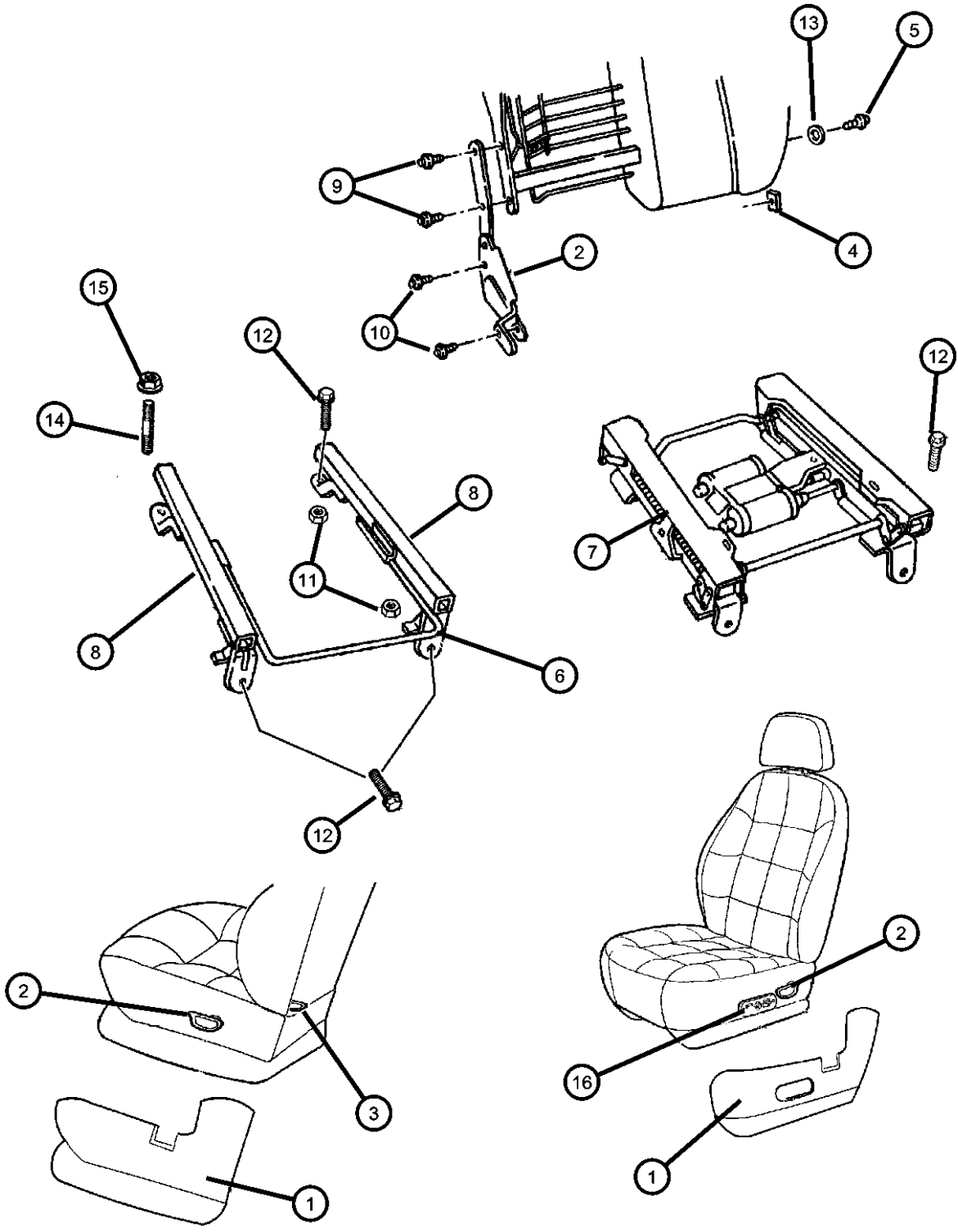
ITEM	PART NUMBER	QTY	LINE	SERIES	BODY	ENGINE	TRANS	TRIM	DESCRIPTION
		1	B, U		74			*DL	Includes Handle, Right
		1	B, U		74			*XJ	Includes Handle, Right
		1	J, T		74			*X5	Includes Handle, Right
		1	B, U		74			*M5	Includes Handle, Right
		1	B, U		74			*B6	Includes Handle, Right
		1	J, T		74			*DL	Includes Handle, Right
		1	J, T		74			*XJ	Includes Handle, Right
		1	J, T		74			*B6	Includes Handle, Right
	04796715	1	J, T		74			*M5	Includes Handle, Left
		1	J, T		74			*DL	Includes Handle, Left
		1	B, U		74			*DL	Includes Handle, Left
		1	B, U		74			*XJ	Includes Handle, Left
		1	B, U		74			*M5	Includes Handle, Left
		1	B, U		74			*B6	Includes Handle, Left
		1	J, T		74			*X5	Includes Handle, Left
		1	J, T		74			*XJ	Includes Handle, Left
		1	J, T		74			*B6	Includes Handle, Left
3									KNOB, Seat Recliner
	04796720	1	J, T		72			*XJ	
		1	J, T		72			*M5	
		1	J, T, U		72			*B6	
4									U-NUT, Seat Back
	04713982	1	J, T		74			*M5	
		1	J, T		74			*DL	
		1	J, T		72			*XJ	

CHEROKEE (XJ)

SERIES	LINE	BODY	ENGINE	TRANSMISSION
H = Sport	T = JEEP - 2WD	74 = 4 Dr (101.4WB)	ENC = ENGINE - 2.5L 4 CYL TURBO DIESEL	DDD = TRANSMISSION - 5-SPEED HD MANUAL
L = SE	B = JEEP - 2WD (RHD)	72 = 2 Dr (101.4WB)	EPE = ENGINE - 2.5L POWER TECH I-4 Cyl.	DDQ = TRANSMISSION - 5-SPEED MANUAL
P = Classic	J = JEEP - 4WD		ERH = ENGINE - 4.0L POWER TECH I-6	DGD = TRANSMISSION - 3-SPD. AUTOMATIC,30RH
S = Limited	U = JEEP - 4WD (RHD)			DGK = TRANSMISSION - 4-SPD. AUTOMATIC,42RE
				DGS = TRANSMISSION-4SPD. AUTO,AISIN WARNER
				DGT = TRANSMISSION - 4-SPD. AUTOMATIC,46RE
				DGW = TRANSMISSION - 4-SPD. AUTOMATIC,44RE
				DGX = TRANSMISSION - 4-SPEED AUTOMATIC
				DBB = ALL MANUAL TRANSMISSIONS
				DGO = ALL AUTOMATIC TRANSMISSIONS

AR = use ase required - = Non illustrated part

**Recliner and Adjuster
Figure IXJ-810**



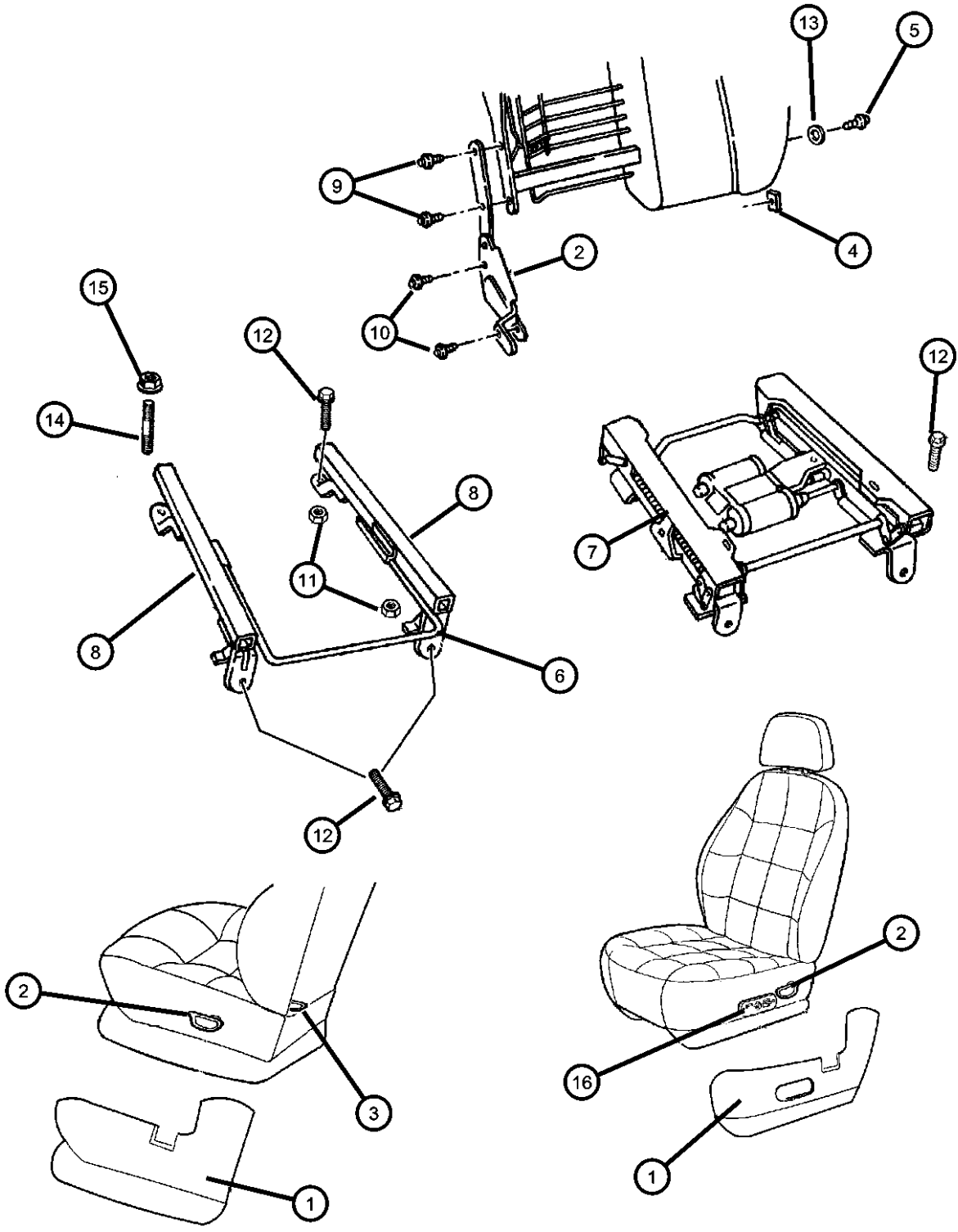
ITEM	PART NUMBER	QTY	LINE	SERIES	BODY	ENGINE	TRANS	TRIM	DESCRIPTION
		1	J, T		72			*M5	
		1	B, U		74			*XJ	
		1	J, T		74			*X5	
		1	B, U		74			*M5	
		1	B, U		74			*B6	
		1	B, U		74			*DL	
		1	J, T		74			*XJ	
		1	J, T, U		72			*B6	
		1	J, T		74			*B6	
5									BOLT, Shoulder, I.B.-Back To Cushion-Pivot
	04797554	1	J, T		74			*DL	
		1	J, T		72			*XJ	
		1	J, T		72			*M5	
		1	J, T		74			*M5	
		1	B, U		74			*XJ	
		1	J, T		74			*X5	
		1	B, U		74			*M5	
		1	B, U		74			*B6	
		1	B, U		74			*DL	
		1	J, T		74			*XJ	
		1	J, T		74			*B6	
		1	J, T, U		72			*B6	
6									HANDLE, Seat Release
	04796780	1	J, T		74			*M5	

CHEROKEE (XJ)

SERIES	LINE	BODY	ENGINE	TRANSMISSION
H = Sport	T = JEEP - 2WD	74 = 4 Dr (101.4WB)	ENC = ENGINE - 2.5L 4 CYL TURBO DIESEL	DDD = TRANSMISSION - 5-SPEED HD MANUAL
L = SE	B = JEEP - 2WD (RHD)	72 = 2 Dr (101.4WB)	EPE = ENGINE - 2.5L POWER TECH I-4 Cyl.	DDQ = TRANSMISSION - 5-SPEED MANUAL
P = Classic	J = JEEP - 4WD		ERH = ENGINE - 4.0L POWER TECH I-6	DGD = TRANSMISSION - 3-SPD. AUTOMATIC,30RH
S = Limited	U = JEEP - 4WD (RHD)			DGK = TRANSMISSION - 4-SPD. AUTOMATIC,42RE
				DGS = TRANSMISSION-4SPD. AUTO,AISIN WARNER
				DGT = TRANSMISSION - 4-SPD. AUTOMATIC,46RE
				DGW = TRANSMISSION - 4-SPD. AUTOMATIC,44RE
				DGX = TRANSMISSION - 4-SPEED AUTOMATIC
				DBB = ALL MANUAL TRANSMISSIONS
				DGO = ALL AUTOMATIC TRANSMISSIONS

AR = use ase required - = Non illustrated part

**Recliner and Adjuster
Figure IXJ-810**



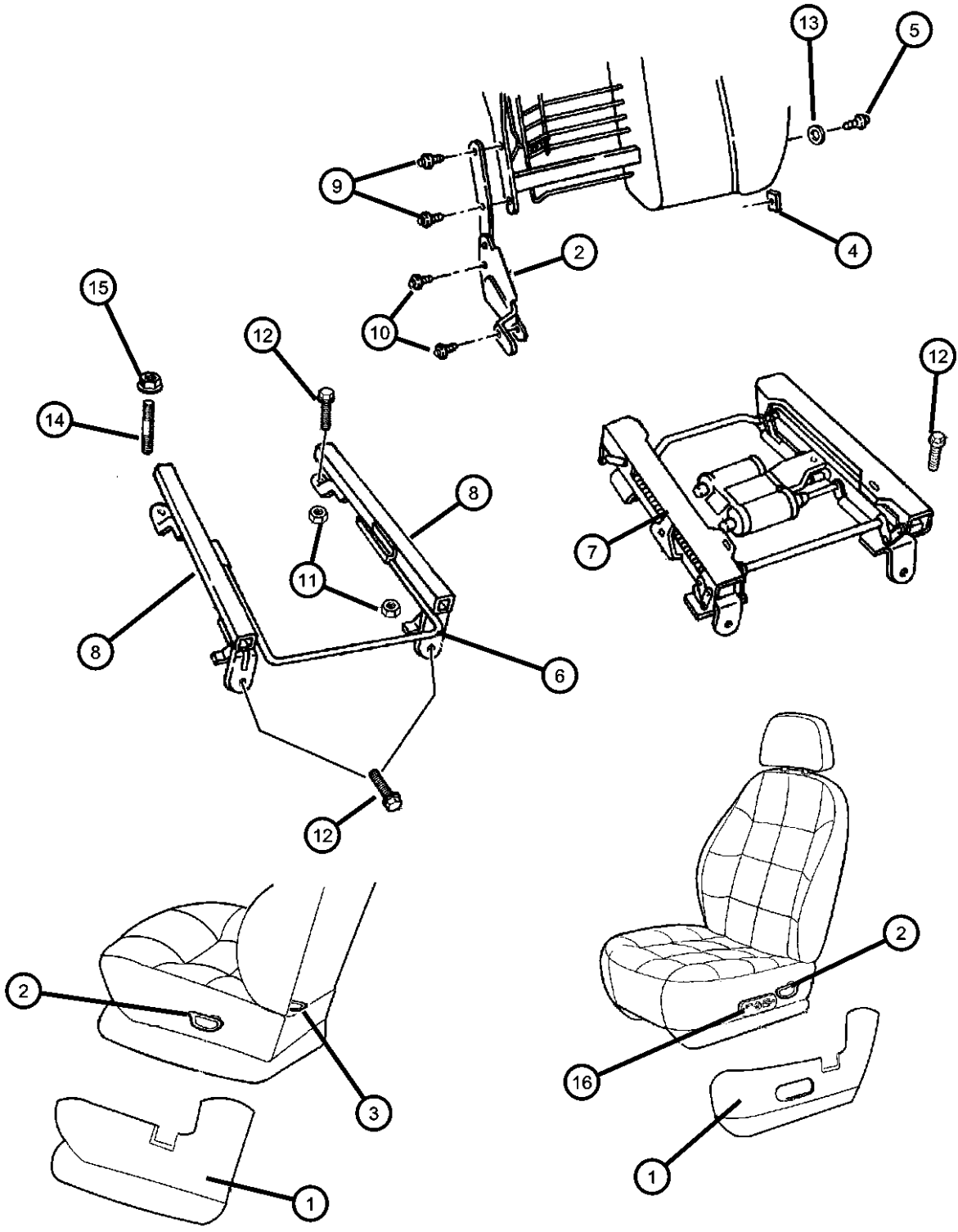
ITEM	PART NUMBER	QTY	LINE	SERIES	BODY	ENGINE	TRANS	TRIM	DESCRIPTION
		1	J, T		74			*DL	
		1	J, T		72			*M5	
		1	B, U		74			*XJ	
		1	J, T		74			*X5	
		1	B, U		74			*M5	
		1	B, U		74			*B6	
		1	J, T		74			*XJ	
		1	J, T, U		72			*B6	
		1	J, T		74			*B6	
7									ADJUSTER, Power Seat, Includes Motor
	04886375AA	1	B, U		74			*DL	Right, Export
		1	B, U		74			*XJ	Right, Export
		1	J, T		72			*XJ	Right, Export
		1	J, T		74			*DL	Right, Export
	04886376AA	1	J, T		74			*XJ	Right, Export
		1	J, T		74			*DL	Left
		1	J, T		72			*M5	Left
		1	J, T		74			*M5	Left
		1	B, U		74			*DL	Left
		1	B, U		74			*XJ	Left
		1	J, T		74			*XJ	Left
	05013658AA	1	J, T		72			*XJ	Left
		1	J, T		74			*DL	With Heated Seats, Right
		1	B, U		74			*DL	With Heated Seats, Right

CHEROKEE (XJ)

SERIES	LINE	BODY	ENGINE	TRANSMISSION
H = Sport	T = JEEP - 2WD	74 = 4 Dr (101.4WB)	ENC = ENGINE - 2.5L 4 CYL TURBO DIESEL	DDD = TRANSMISSION - 5-SPEED HD MANUAL
L = SE	B = JEEP - 2WD (RHD)	72 = 2 Dr (101.4WB)	EPE = ENGINE - 2.5L POWER TECH I-4 Cyl.	DDQ = TRANSMISSION - 5-SPEED MANUAL
P = Classic	J = JEEP - 4WD		ERH = ENGINE - 4.0L POWER TECH I-6	DGD = TRANSMISSION - 3-SPD. AUTOMATIC,30RH
S = Limited	U = JEEP - 4WD (RHD)			DGK = TRANSMISSION - 4-SPD. AUTOMATIC,42RE
				DGS = TRANSMISSION-4SPD. AUTO,AISIN WARNER
				DGT = TRANSMISSION - 4-SPD. AUTOMATIC,46RE
				DGW = TRANSMISSION - 4-SPD. AUTOMATIC,44RE
				DGX = TRANSMISSION - 4-SPEED AUTOMATIC
				DBB = ALL MANUAL TRANSMISSIONS
				DGO = ALL AUTOMATIC TRANSMISSIONS

AR = use ase required - = Non illustrated part

**Recliner and Adjuster
Figure IXJ-810**



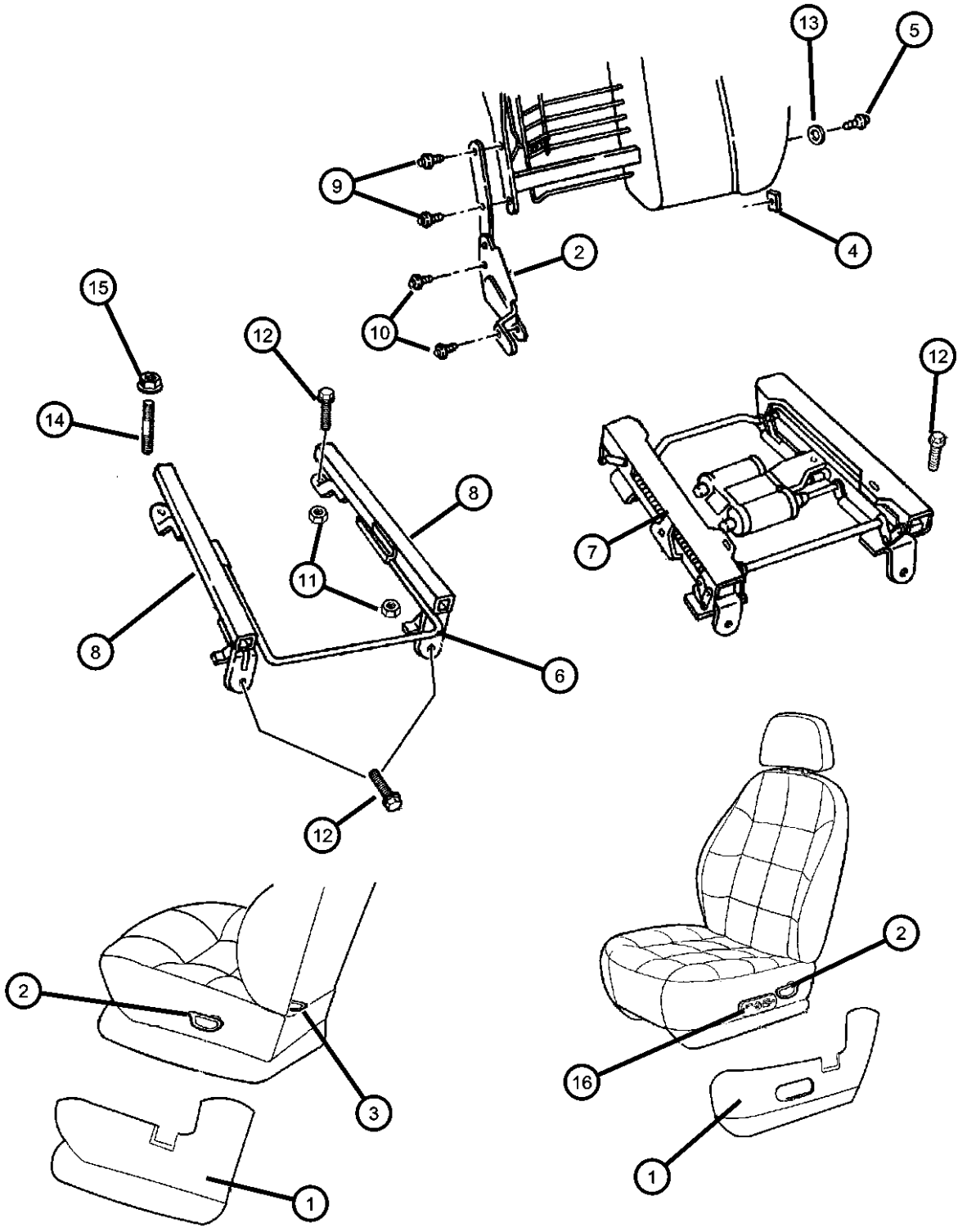
ITEM	PART NUMBER	QTY	LINE	SERIES	BODY	ENGINE	TRANS	TRIM	DESCRIPTION
8	05013659AA	1	J, T		74			*DL	With Heated Seats, Left
		1	B, U		74			*DL	With Heated Seats, Left
	05014595AA	1	J, T		74			*M5	Driver, Outboard
		1	J, T		72			*XJ	Driver, Outboard
		1	J, T		72			*M5	Driver, Outboard
		1	B, U		74			*XJ	Driver, Outboard
		1	J, T		74			*X5	Driver, Outboard
		1	B, U		74			*M5	Driver, Outboard
		1	B, U		74			*B6	Driver, Outboard
		1	J, T, U		72			*B6	Driver, Outboard
		1	J, T		74			*XJ	Driver, Outboard
	05014596AA	1	J, T		74			*B6	Driver, Outboard
		1	J, T		74			*DL	Passenger, Outboard
		1	J, T		72			*XJ	Passenger, Outboard
		1	J, T		72			*M5	Passenger, Outboard
	1	B, U		74			*XJ	Passenger, Outboard	
	1	B, U		74			*B6	Passenger, Outboard	
	1	J, T		74			*X5	Passenger, Outboard	
	1	J, T, U		72			*B6	Passenger, Outboard	
	1	J, T		74			*M5	Passenger, Outboard	
	1	J, T		74			*B6	Passenger, Outboard	
	1	J, T		74			*XJ	Passenger, Outboard	
	1	B, U		74			*M5	Passenger, Outboard	
05014655AA	1	J, T			74			*M5	Passenger, Inboard

CHEROKEE (XJ)

SERIES	LINE	BODY	ENGINE	TRANSMISSION
H = Sport	T = JEEP - 2WD	74 = 4 Dr (101.4WB)	ENC = ENGINE - 2.5L 4 CYL TURBO DIESEL	DDD = TRANSMISSION - 5-SPEED HD MANUAL
L = SE	B = JEEP - 2WD (RHD)	72 = 2 Dr (101.4WB)	EPE = ENGINE - 2.5L POWER TECH I-4 Cyl.	DDQ = TRANSMISSION - 5-SPEED MANUAL
P = Classic	J = JEEP - 4WD		ERH = ENGINE - 4.0L POWER TECH I-6	DGD = TRANSMISSION - 3-SPD. AUTOMATIC,30RH
S = Limited	U = JEEP - 4WD (RHD)			DGK = TRANSMISSION - 4-SPD. AUTOMATIC,42RE
				DGS = TRANSMISSION-4SPD. AUTO,AISIN WARNER
				DGT = TRANSMISSION - 4-SPD. AUTOMATIC,46RE
				DGW = TRANSMISSION - 4-SPD. AUTOMATIC,44RE
				DGX = TRANSMISSION - 4-SPEED AUTOMATIC
				DBB = ALL MANUAL TRANSMISSIONS
				DGO = ALL AUTOMATIC TRANSMISSIONS

AR = use ase required - = Non illustrated part

**Recliner and Adjuster
Figure IXJ-810**



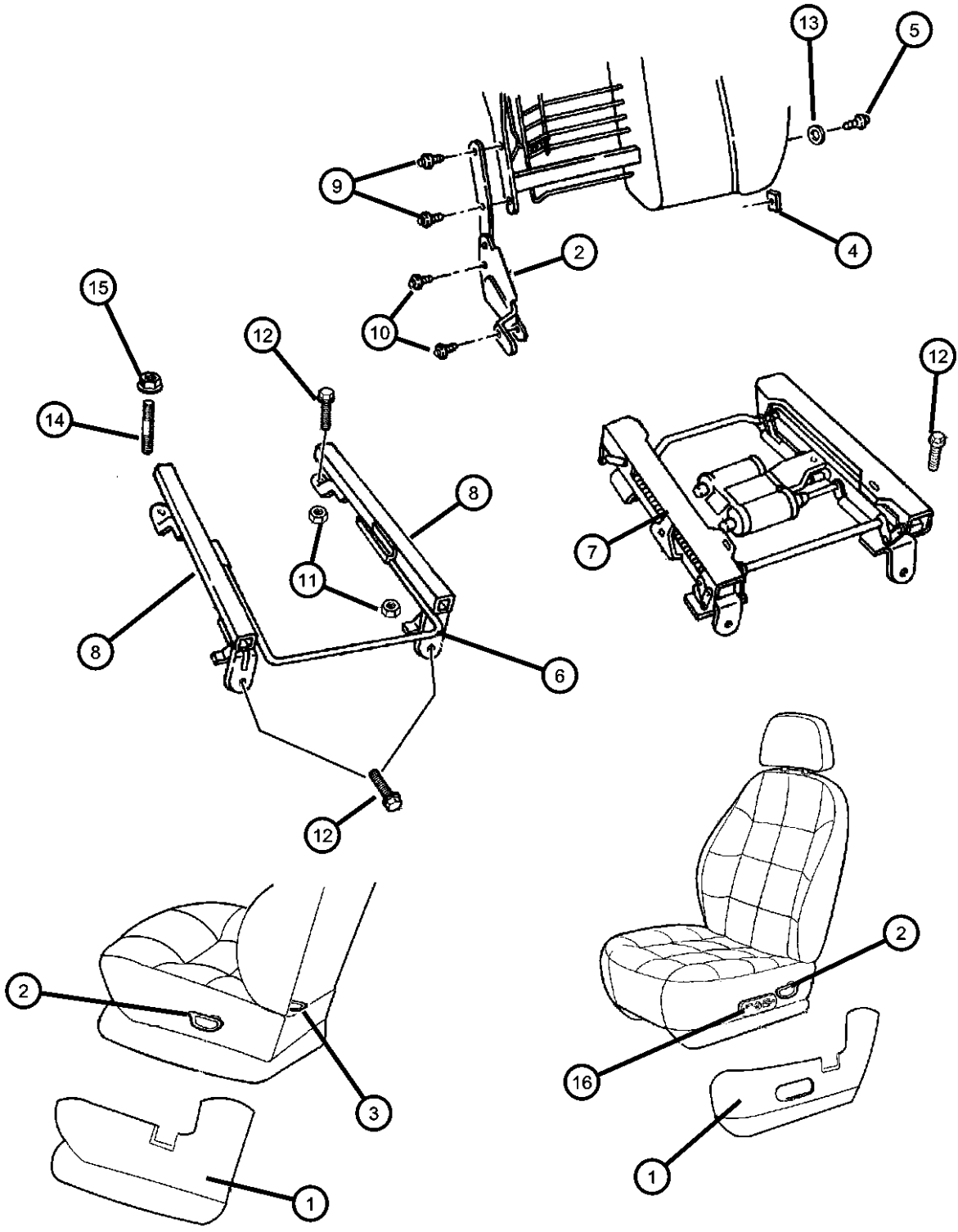
ITEM	PART NUMBER	QTY	LINE	SERIES	BODY	ENGINE	TRANS	TRIM	DESCRIPTION
		1	J, T		74			*DL	Passenger, Inboard
		1	J, T		72			*XJ	Passenger, Inboard
		1	J, T		72			*M5	Passenger, Inboard
		1	B, U		74			*XJ	Passenger, Inboard
		1	J, T		74			*X5	Passenger, Inboard
		1	B, U		74			*M5	Passenger, Inboard
		1	B, U		74			*B6	Passenger, Inboard
		1	J, T		74			*XJ	Passenger, Inboard
		1	J, T, U		72			*B6	Passenger, Inboard
		1	J, T		74			*B6	Passenger, Inboard
	05014656AA	1	J, T		74			*M5	Driver, Inboard
		1	J, T		72			*XJ	Driver, Inboard
		1	J, T		74			*XJ	Driver, Inboard
		1	J, T		72			*M5	Driver, Inboard
		1	B, U		74			*XJ	Driver, Inboard
		1	J, T		74			*X5	Driver, Inboard
		1	B, U		74			*M5	Driver, Inboard
		1	B, U		74			*B6	Driver, Inboard
		1	J, T, U		72			*B6	Driver, Inboard
		1	J, T		74			*B6	Driver, Inboard
9									BOLT, Recliner to Seat Back
	04720768	1	J, T		74			*M5	
		1	J, T		74			*DL	
		1	J, T		72			*XJ	
		1	J, T		74			*XJ	

CHEROKEE (XJ)

SERIES	LINE	BODY	ENGINE	TRANSMISSION
H = Sport	T = JEEP - 2WD	74 = 4 Dr (101.4WB)	ENC = ENGINE - 2.5L 4 CYL TURBO DIESEL	DDD = TRANSMISSION - 5-SPEED HD MANUAL
L = SE	B = JEEP - 2WD (RHD)	72 = 2 Dr (101.4WB)	EPE = ENGINE - 2.5L POWER TECH I-4 Cyl.	DDQ = TRANSMISSION - 5-SPEED MANUAL
P = Classic	J = JEEP - 4WD		ERH = ENGINE - 4.0L POWER TECH I-6	DGD = TRANSMISSION - 3-SPD. AUTOMATIC,30RH
S = Limited	U = JEEP - 4WD (RHD)			DGK = TRANSMISSION - 4-SPD. AUTOMATIC,42RE
				DGS = TRANSMISSION-4SPD. AUTO,AISIN WARNER
				DGT = TRANSMISSION - 4-SPD. AUTOMATIC,46RE
				DGW = TRANSMISSION - 4-SPD. AUTOMATIC,44RE
				DGX = TRANSMISSION - 4-SPEED AUTOMATIC
				DBB = ALL MANUAL TRANSMISSIONS
				DGO = ALL AUTOMATIC TRANSMISSIONS

AR = use ase required - = Non illustrated part

**Recliner and Adjuster
Figure IXJ-810**



ITEM	PART NUMBER	QTY	LINE	SERIES	BODY	ENGINE	TRANS	TRIM	DESCRIPTION
		1	J, T		72			*M5	
		1	B, U		74			*XJ	
		1	J, T		74			*X5	
		1	B, U		74			*M5	
		1	B, U		74			*B6	
		1	B, U		74			*DL	
		1	J, T, U		72			*B6	
		1	J, T		74			*B6	
10									BOLT, Recliner To Cushion, Front Seat
	04796793	1	J, T		74			*M5	
		1	J, T		72			*M5	
		1	B, U		74			*M5	
		1	B, U		74			*B6	
		1	J, T		74			*X5	
		1	J, T, U		72			*B6	
		4	J, T		74			*XJ	
		4	J, T		72			*XJ	
		4	B, U		74			*XJ	
		4	B, U		74			*DL	
		1	J, T		74			*B6	
		4	J, T		74			*DL	
11	05101925AA	8							*O0 NUT, Seat Adjuster To Cushion
12	06505227AA	6							SCREW AND WASHER, Hex Head Tap, M8x1.25x33.00
13	06505227AA	6							WASHER, (NOT SERVICED)

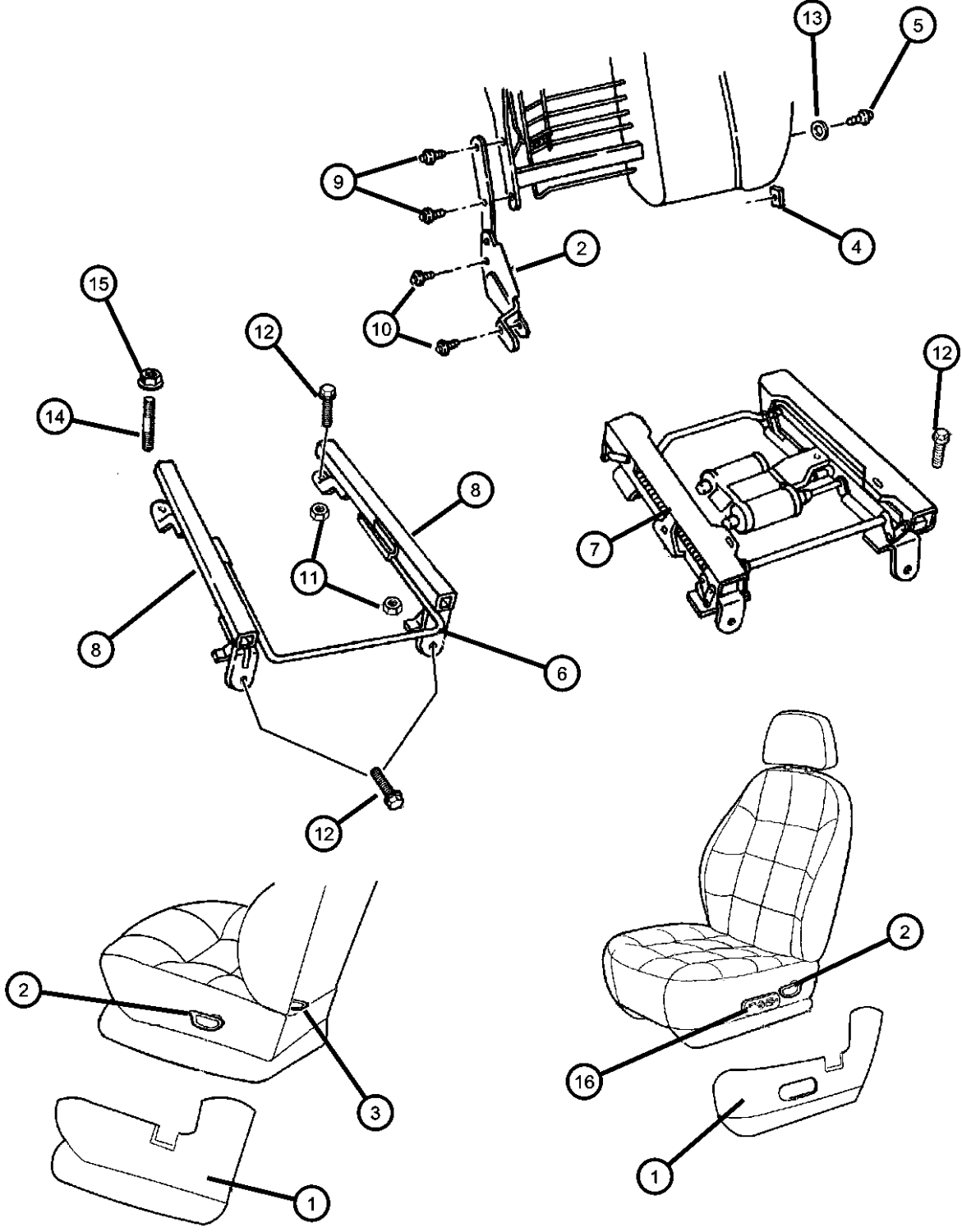
CHEROKEE (XJ)

SERIES	LINE	BODY	ENGINE	TRANSMISSION
H = Sport	T = JEEP - 2WD	74 = 4 Dr (101.4WB)	ENC = ENGINE - 2.5L 4 CYL TURBO DIESEL	DDD = TRANSMISSION - 5-SPEED HD MANUAL
L = SE	B = JEEP - 2WD (RHD)	72 = 2 Dr (101.4WB)	EPE = ENGINE - 2.5L POWER TECH I-4 Cyl.	DDQ = TRANSMISSION - 5-SPEED MANUAL
P = Classic	J = JEEP - 4WD		ERH = ENGINE - 4.0L POWER TECH I-6	DGD = TRANSMISSION - 3-SPD. AUTOMATIC,30RH
S = Limited	U = JEEP - 4WD (RHD)			DGK = TRANSMISSION - 4-SPD. AUTOMATIC,42RE
				DGS = TRANSMISSION-4SPD. AUTO,AISIN WARNER
				DGT = TRANSMISSION - 4-SPD. AUTOMATIC,46RE
				DGW = TRANSMISSION - 4-SPD. AUTOMATIC,44RE
				DGX = TRANSMISSION - 4-SPEED AUTOMATIC
				DBB = ALL MANUAL TRANSMISSIONS
				DGO = ALL AUTOMATIC TRANSMISSIONS

AR = use ase required - = Non illustrated part

**Recliner and Adjuster
Figure IXJ-810**

ITEM	PART NUMBER	QTY	LINE	SERIES	BODY	ENGINE	TRANS	TRIM	DESCRIPTION
------	-------------	-----	------	--------	------	--------	-------	------	-------------



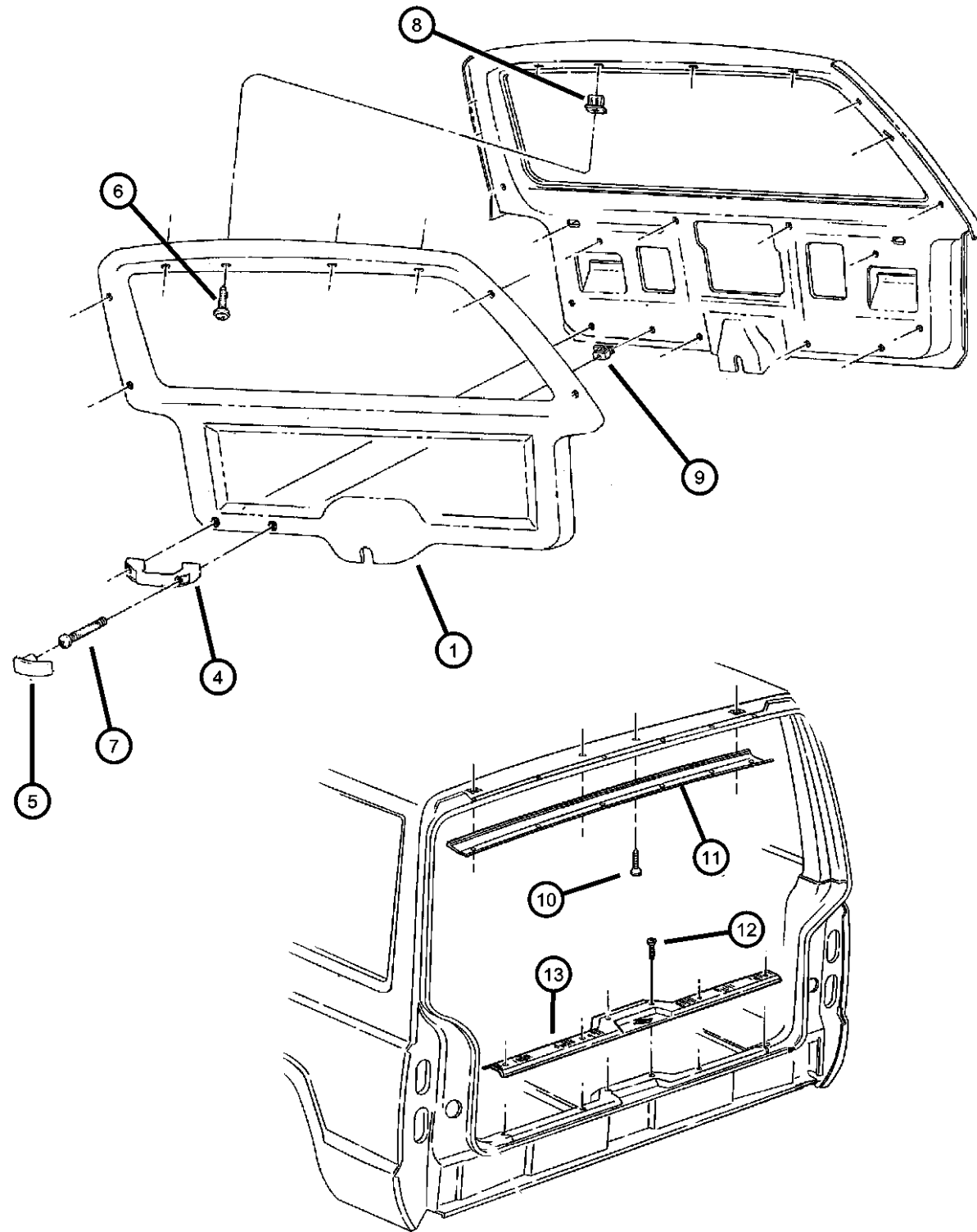
14	06505227AA	6							STUD, (NOT SERVICED)
15	00152477	2							NUT, Hex Flange Lock, .437-20
16									SWITCH, Seat
	04373666	1	J, T		72			*M5	
		2	J, T		72			*XJ	
		2	J, T		74			*XJ	
		2	B, U		74			*XJ	
		2	J, T		74			*DL	
		2	B, U		74			*DL	

CHEROKEE (XJ)

SERIES	LINE	BODY	ENGINE	TRANSMISSION
H = Sport	T = JEEP - 2WD	74 = 4 Dr (101.4WB)	ENC = ENGINE - 2.5L 4 CYL TURBO DIESEL	DDD = TRANSMISSION - 5-SPEED HD MANUAL
L = SE	B = JEEP - 2WD (RHD)	72 = 2 Dr (101.4WB)	EPE = ENGINE - 2.5L POWER TECH I-4 Cyl.	DDQ = TRANSMISSION - 5-SPEED MANUAL
P = Classic	J = JEEP - 4WD		ERH = ENGINE - 4.0L POWER TECH I-6	DGD = TRANSMISSION - 3-SPD. AUTOMATIC,30RH
S = Limited	U = JEEP - 4WD (RHD)			DGK = TRANSMISSION - 4-SPD. AUTOMATIC,42RE
				DGS = TRANSMISSION-4SPD. AUTO,AISIN WARNER
				DGT = TRANSMISSION - 4-SPD. AUTOMATIC,46RE
				DGW = TRANSMISSION - 4-SPD. AUTOMATIC,44RE
				DGX = TRANSMISSION - 4-SPEED AUTOMATIC
				DBB = ALL MANUAL TRANSMISSIONS
				DGO = ALL AUTOMATIC TRANSMISSIONS

AR = use ase required - = Non illustrated part

Liftgate Trim Panel
Figure IXJ-1010



ITEM	PART NUMBER	QTY	LINE	SERIES	BODY	ENGINE	TRANS	TRIM	DESCRIPTION
1									PANEL, Liftgate
	5EG06LAZAB	1						*00	[AZ]
	5EG06RK5AB	1						*00	[K5]
-2	06504014	5						*00	FASTENER, Door Trim Panel
-3	06503709	4						*00	PIN, Door Panel
4									HANDLE, Roof Grab
	5DX76LAZAC	1						*00	[AZ]
	5DX76RK5AC	1						*00	[K5]
5									PLUG, Assist and Grab Handle
	0H526TAZ	2						*00	[AZ]
	0H526TK5	2						*00	[K5]
6	0H526TK5	2							SCREW, .164-18x1.00, (NOT SERVICED),
7	0H526TK5	2							SCREW, [.250-14x2.375], (NOT SERVICED)
8	06505141AA	4							NUT, Snap In, M4.2 x 1.41
9	06029509	2							U-NUT, .250-14
10	06029509	2							SCREW, .164-18x.625, (NOT SERVICED)
11									MOLDING, Liftgate Upper
	5ER43LAZAD	1						*00	[AZ]
	5ER43RK5AD	1						*00	[K5]
12	34201468	6							SCREW, Round Washer Head, M4.2x1.41x25.00
13									SILL COVER, Interior
	5EG09LAZAB	1						*00	[AZ]

CHEROKEE (XJ)

SERIES LINE
H = Sport T = JEEP - 2WD
L = SE B = JEEP - 2WD (RHD)
P = Classic J = JEEP - 4WD
S = Limited U = JEEP - 4WD (RHD)

BODY
74 = 4 Dr (101.4WB)
72 = 2 Dr (101.4WB)

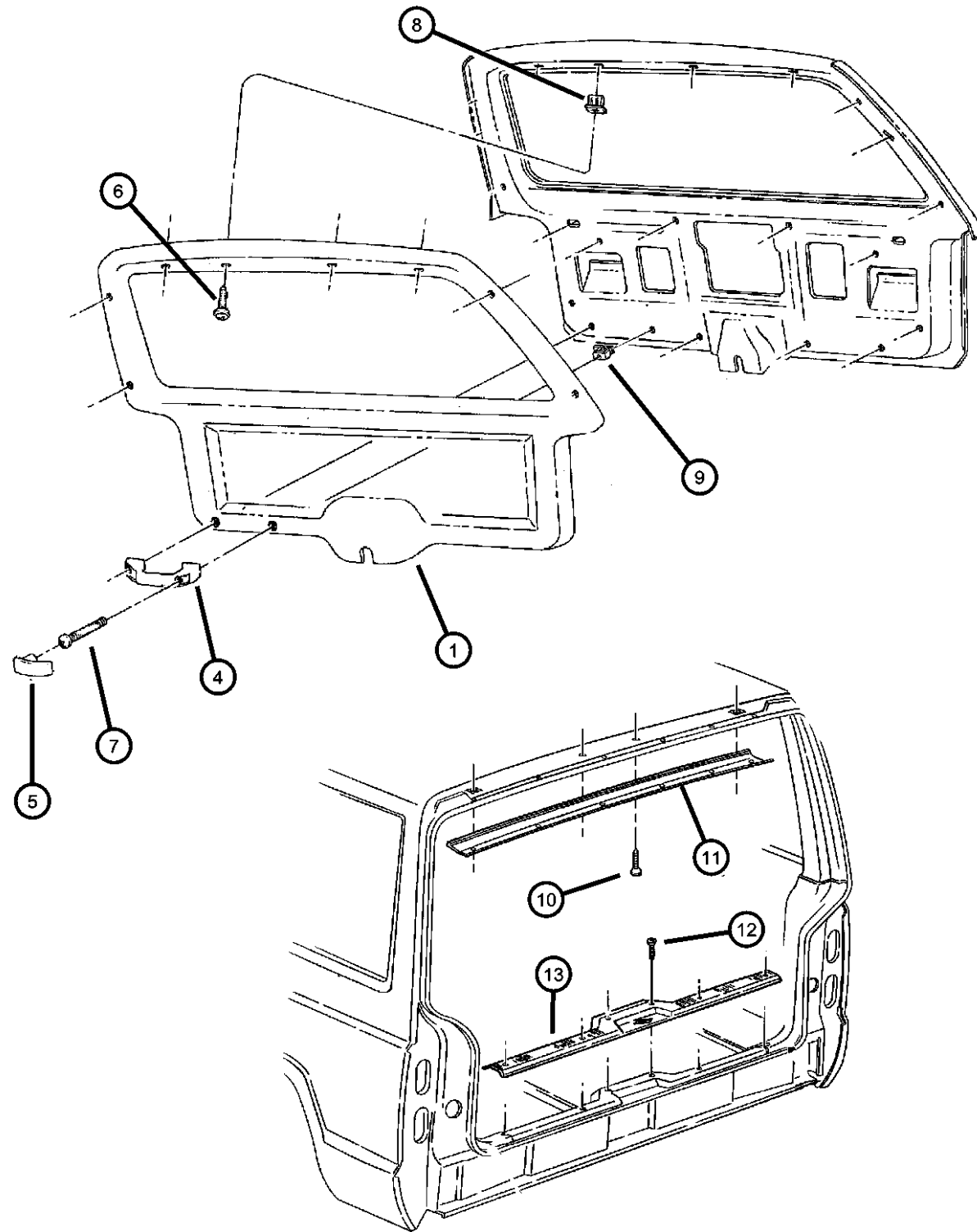
ENGINE
ENC = ENGINE - 2.5L 4 CYL TURBO DIESEL
EPE = ENGINE - 2.5L POWER TECH I-4 Cyl.
ERH = ENGINE - 4.0L POWER TECH I-6

TRANSMISSION
DDD = TRANSMISSION - 5-SPEED HD MANUAL
DDQ = TRANSMISSION - 5-SPEED MANUAL
DGD = TRANSMISSION - 3-SPD. AUTOMATIC,30RH
DGK = TRANSMISSION - 4-SPD. AUTOMATIC,42RE
DGS = TRANSMISSION-4SPD. AUTO,AISIN WARNER
DGT = TRANSMISSION - 4-SPD. AUTOMATIC,46RE
DGW = TRANSMISSION - 4-SPD. AUTOMATIC,44RE
DGX = TRANSMISSION - 4-SPEED AUTOMATIC
DBB = ALL MANUAL TRANSMISSIONS
DGO = ALL AUTOMATIC TRANSMISSIONS

AR = use ase required - = Non illustrated part

2000 XJ

Liftgate Trim Panel
Figure IXJ-1010



ITEM	PART NUMBER	QTY	LINE	SERIES	BODY	ENGINE	TRANS	TRIM	DESCRIPTION
------	-------------	-----	------	--------	------	--------	-------	------	-------------

	5EG09RK5AB	1							
-14	06506063AA	2							

*00 [K5]
NUT, Snap In, Upper Liftgate
Molding Mounting

CHEROKEE (XJ)

SERIES	LINE
H = Sport	T = JEEP - 2WD
L = SE	B = JEEP - 2WD (RHD)
P = Classic	J = JEEP - 4WD
S = Limited	U = JEEP - 4WD (RHD)

BODY
74 = 4 Dr (101.4WB)
72 = 2 Dr (101.4WB)

ENGINE
ENC = ENGINE - 2.5L 4 CYL TURBO DIESEL
EPE = ENGINE - 2.5L POWER TECH I-4 Cyl.
ERH = ENGINE - 4.0L POWER TECH I-6

TRANSMISSION
DDD = TRANSMISSION - 5-SPEED HD MANUAL
DDQ = TRANSMISSION - 5-SPEED MANUAL
DGD = TRANSMISSION - 3-SPD. AUTOMATIC,30RH
DGK = TRANSMISSION - 4-SPD. AUTOMATIC,42RE
DGS = TRANSMISSION-4SPD. AUTO,AISIN WARNER
DGT = TRANSMISSION - 4-SPD. AUTOMATIC,46RE
DGW = TRANSMISSION - 4-SPD. AUTOMATIC,44RE
DGX = TRANSMISSION - 4-SPEED AUTOMATIC
DBB = ALL MANUAL TRANSMISSIONS
DGO = ALL AUTOMATIC TRANSMISSIONS

AR = use ase required - = Non illustrated part

2000 XJ

Group - SXJ

Body Sheet Metal Except Doors

Group - SXJ Body Sheet Metal Except Doors

Illustration Title

Group-Fig. No.

Floor Pans

Pans, Floor Fig. SXJ - 210
 Plates, Underbody Skid..... Fig. SXJ - 220

Plugs

Plugs Fig. SXJ - 310

Front Fenders

Panels, Front End Inner and Wheelhouse Fig. SXJ - 410
 Fenders, Front..... Fig. SXJ - 420

Hood & Hood Release

Hood, Latch and Hinges Fig. SXJ - 510

Cowl and Dash Panel

Panels, Cowl And Dash, L.H.D..... Fig. SXJ - 610
 Cowl And Dash Panel, R.H.D. Fig. SXJ - 620

Glass and Rear View Mirror

Glass, Windshield, Backlite and Mirror Fig. SXJ - 710
 Windows, Quarter, 2 and 4 Doors..... Fig. SXJ - 720

Aperture Panel

Panels, Body side, 2 Door Fig. SXJ - 810
 Panels, Body Side, 4 Door Fig. SXJ - 820

Quarter Panel and Pillar

Panels, Rear Quarter, 2 Door Fig. SXJ - 910
 Fuel Filler Housing & Door Fig. SXJ - 920
 Panels, Rear Quarter, 4 Door Fig. SXJ - 930
 Appliques, Rear Quarter Panel..... Fig. SXJ - 940

Roof Panels

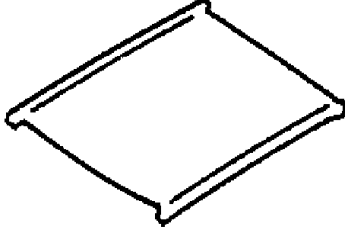
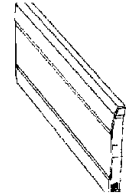
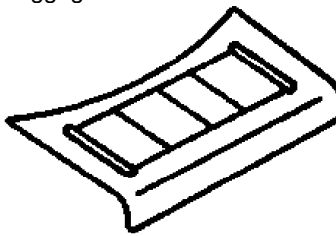
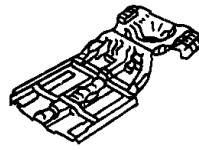

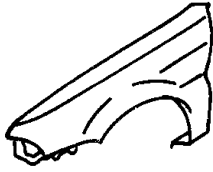
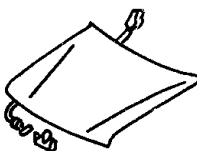
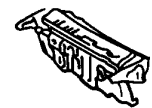

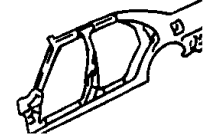
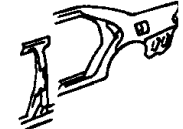
Roof Panel..... Fig. SXJ - 1110

Liftgate Panel

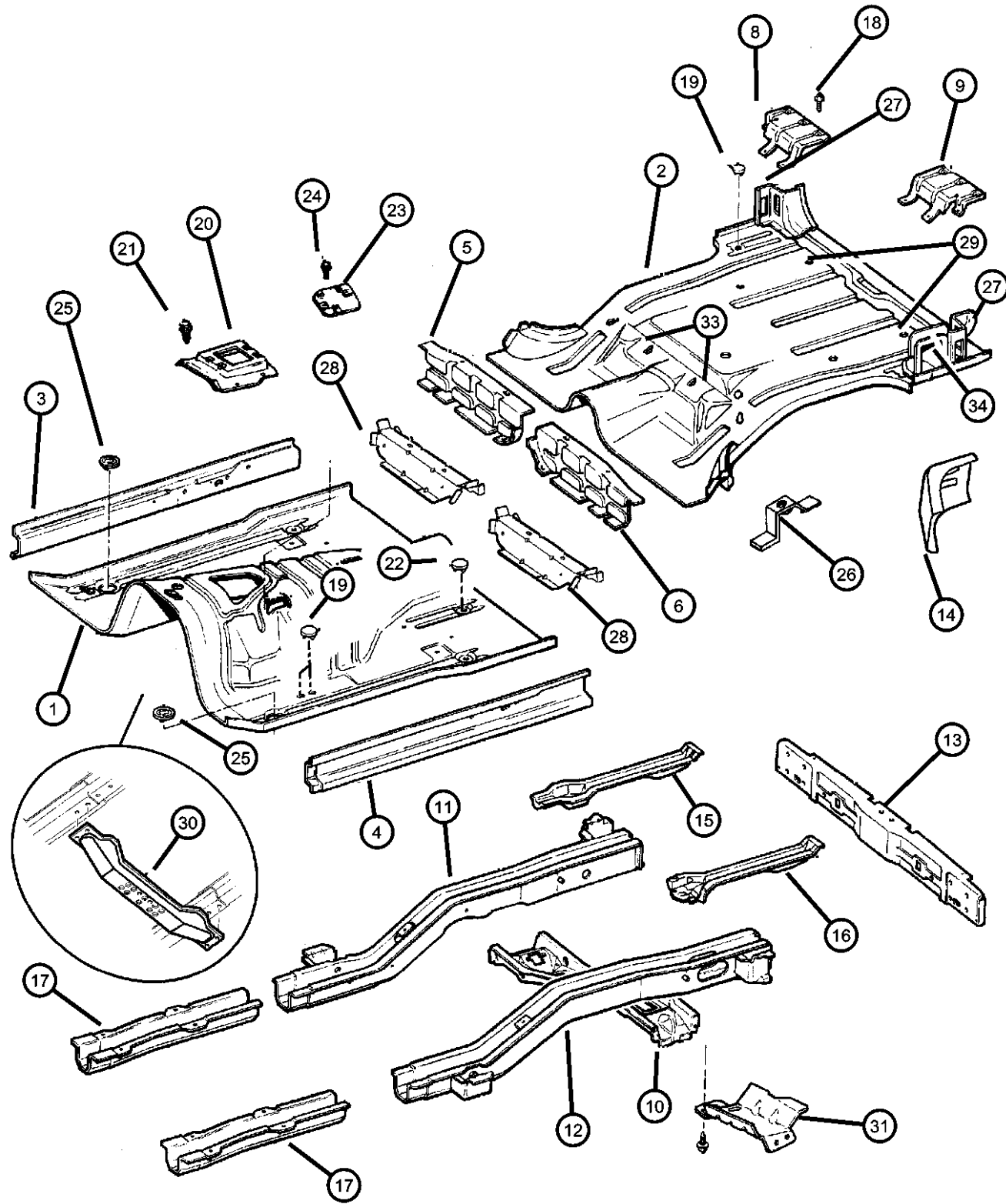
Lift Door, Latch and Hinges Fig. SXJ - 1310

Luggage Rack

Rack, Roof Luggage Fig. SXJ - 1610

<p>SXJ-1100 Roof Panels</p> 	<p>SXJ-1300 Liftgate Panel</p> 	<p>SXJ-1600 Luggage Rack</p> 	<p>SXJ-200 Floor Pans</p> 
<p>SXJ-300 Plugs</p> 	<p>SXJ-400 Front Fenders</p> 	<p>SXJ-500 Hood & Hood Release</p> 	<p>SXJ-600 Cowl and Dash Panel</p> 
<p>SXJ-700 Glass and Rear View Mirror</p> 	<p>SXJ-800 Aperture Panel</p> 	<p>SXJ-900 Quarter Panel and Pillar</p> 	

Pans, Floor
Figure SXJ-210



ITEM	PART NUMBER	QTY	LINE	SERIES	BODY	ENGINE	TRANS	TRIM	DESCRIPTION
1	05015108AB	1							PAN, Front Floor
2	55175177AD	1							PAN, Floor
3	55175088	1							SILL, Body SideRight
4	55235527	1							SILL, Body SideLeft
5	55235812AB	1							CROSSMEMBER, Floor PanRight
6	55235813AA	1							CROSSMEMBER, Floor PanLeft
-7	J4007073	2							SCREW AND WASHER, .375-16x1.125
8	55002230	1							SUPPORT, Rear FloorRight
9	55002231	1							SUPPORT, Rear FloorLeft
10	55175942	1							CROSSMEMBER, Rear Suspension
11	55235696AD	1							SILL, RearRight
12	55235697AD	1							SILL, RearLeft
13	55175178	1							SILL, Rear Cross
14	55175228	1							REINFORCEMENT, Liftgate Opening
15	57000022	1							SUPPORT, Fuel TankRight
16	55002935	1							SUPPORT, Fuel TankLeft
17	55235554AC	2							SILL, Body SideCenter
18	J4001701	7							SCREW, Hex Self Tapping, .19-16x.50
19	55235716	2							PLUG, Floor
20	53000704	1							COVER, GearshiftAutomatic Transmission
21	J4001701	7							SCREW, Hex Self Tapping, .19-16x.50
22	55006579	3							PLUG, Body, 38.1mm Diameter
23	55010460	1	B, T						COVER, Floor Pan

CHEROKEE (XJ)

SERIES	LINE
H = Sport	T = JEEP - 2WD
L = SE	B = JEEP - 2WD (RHD)
P = Classic	J = JEEP - 4WD
S = Limited	U = JEEP - 4WD (RHD)

BODY
74 = 4 Dr (101.4WB)
72 = 2 Dr (101.4WB)

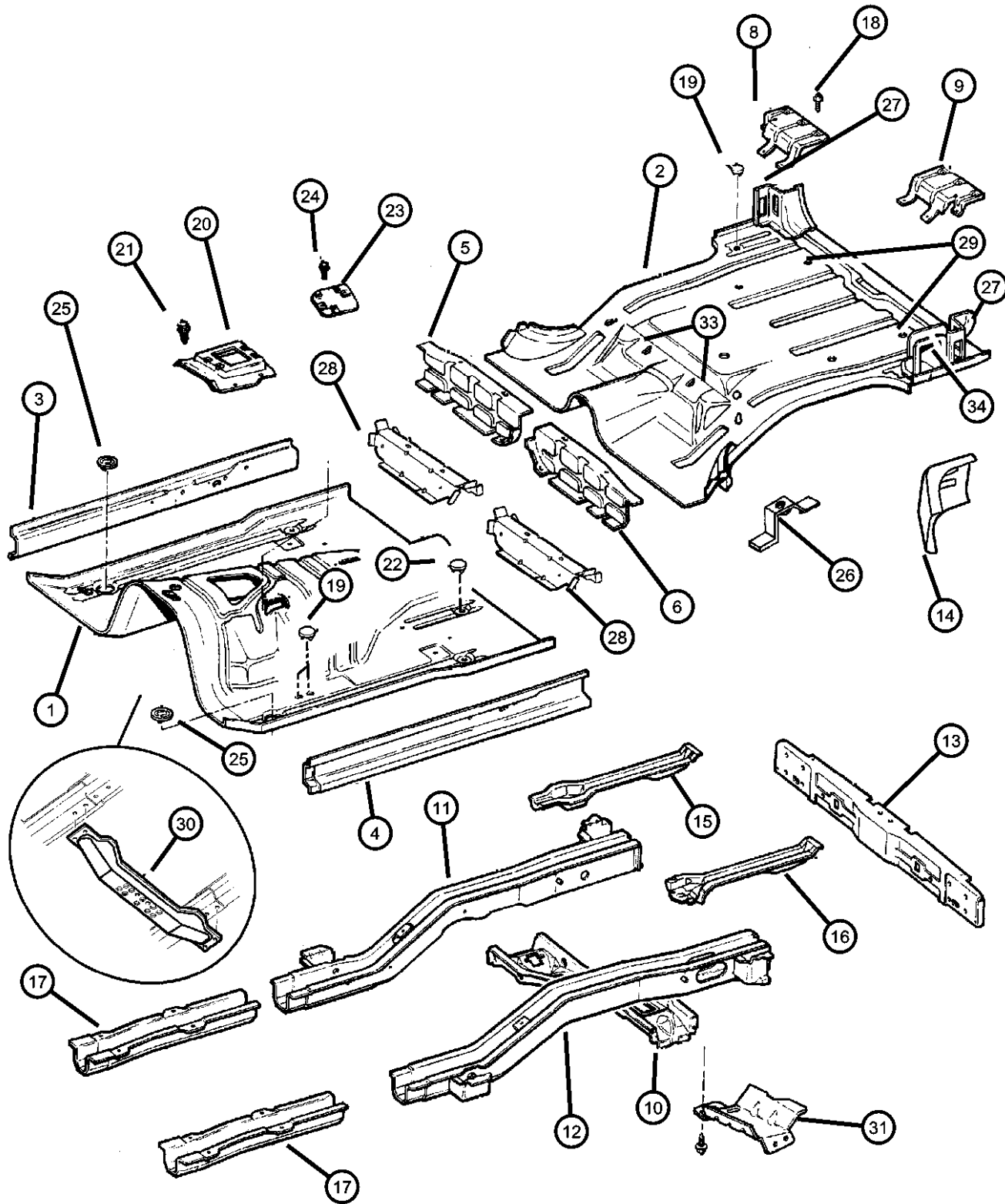
ENGINE
ENC = ENGINE - 2.5L 4 CYL TURBO DIESEL
EPE = ENGINE - 2.5L POWER TECH I-4 Cyl.
ERH = ENGINE - 4.0L POWER TECH I-6

TRANSMISSION
DDD = TRANSMISSION - 5-SPEED HD MANUAL
DDQ = TRANSMISSION - 5-SPEED MANUAL
DGD = TRANSMISSION - 3-SPD. AUTOMATIC,30RH
DGK = TRANSMISSION - 4-SPD. AUTOMATIC,42RE
DGS = TRANSMISSION-4SPD. AUTO,AISIN WARNER
DGT = TRANSMISSION - 4-SPD. AUTOMATIC,46RE
DGW = TRANSMISSION - 4-SPD. AUTOMATIC,44RE
DGX = TRANSMISSION - 4-SPEED AUTOMATIC
DBB = ALL MANUAL TRANSMISSIONS
DGO = ALL AUTOMATIC TRANSMISSIONS

AR = use ase required - = Non illustrated part

2000 XJ

Pans, Floor
Figure SXJ-210



ITEM	PART NUMBER	QTY	LINE	SERIES	BODY	ENGINE	TRANS	TRIM	DESCRIPTION
24	55010460	1							SCREW, M5x0.8x25.00, (NOT SERVICED)
25	04586052	2							PLUG
26	55001903	1							BRACKET, Jack
27									BRACE, Liftgate Opening
	55345172AB	1							Right
	55345173AB	1							Left
28									REINFORCEMENT, Front Seat
	55174756AB	1							Right
	55174759AB	1							Left
29	55257380AA	6							PLUG
30									CROSSMEMBER, Transmission
	52002328AC	1	B, U						2.5L, All Manual
	52003929AC	1							4.0L, Manual 5 Speed
	52058643AD	1	J, T						2.5L, All Manual
	52058682AB	1							Turbo, Diesel
	52059345AA	1							4.0L, Automatic
31	55003285AB	1							SHIELD, Heat
-32	55235831AB	1							REINFORCEMENT, Rear Floor Pan
33									REINFORCEMENT, Seat Belt Anchor
	55235028	1							Right
	55235029AB	1							Left
34									EXTENSION, Rear Floor Pan
	55175960	1			74				Right

CHEROKEE (XJ)

SERIES LINE
H = Sport T = JEEP - 2WD
L = SE B = JEEP - 2WD (RHD)
P = Classic J = JEEP - 4WD
S = Limited U = JEEP - 4WD (RHD)

BODY
74 = 4 Dr (101.4WB)
72 = 2 Dr (101.4WB)

ENGINE
ENC = ENGINE - 2.5L 4 CYL
TURBO DIESEL
EPE = ENGINE - 2.5L POWER
TECH I-4 Cyl.
ERH = ENGINE - 4.0L
POWER TECH I-6

TRANSMISSION
DDD = TRANSMISSION - 5-SPEED
HD MANUAL
DDQ = TRANSMISSION - 5-SPEED
MANUAL
DGD = TRANSMISSION - 3-SPD.
AUTOMATIC,30RH
DGK = TRANSMISSION - 4-SPD.
AUTOMATIC,42RE
DGS = TRANSMISSION-4SPD.
AUTO,AISIN WARNER
DGT = TRANSMISSION - 4-SPD.
AUTOMATIC,46RE
DGW = TRANSMISSION - 4-SPD.
AUTOMATIC,44RE
DGX = TRANSMISSION - 4-SPEED
AUTOMATIC
DBB = ALL MANUAL
TRANSMISSIONS
DGO = ALL AUTOMATIC
TRANSMISSIONS

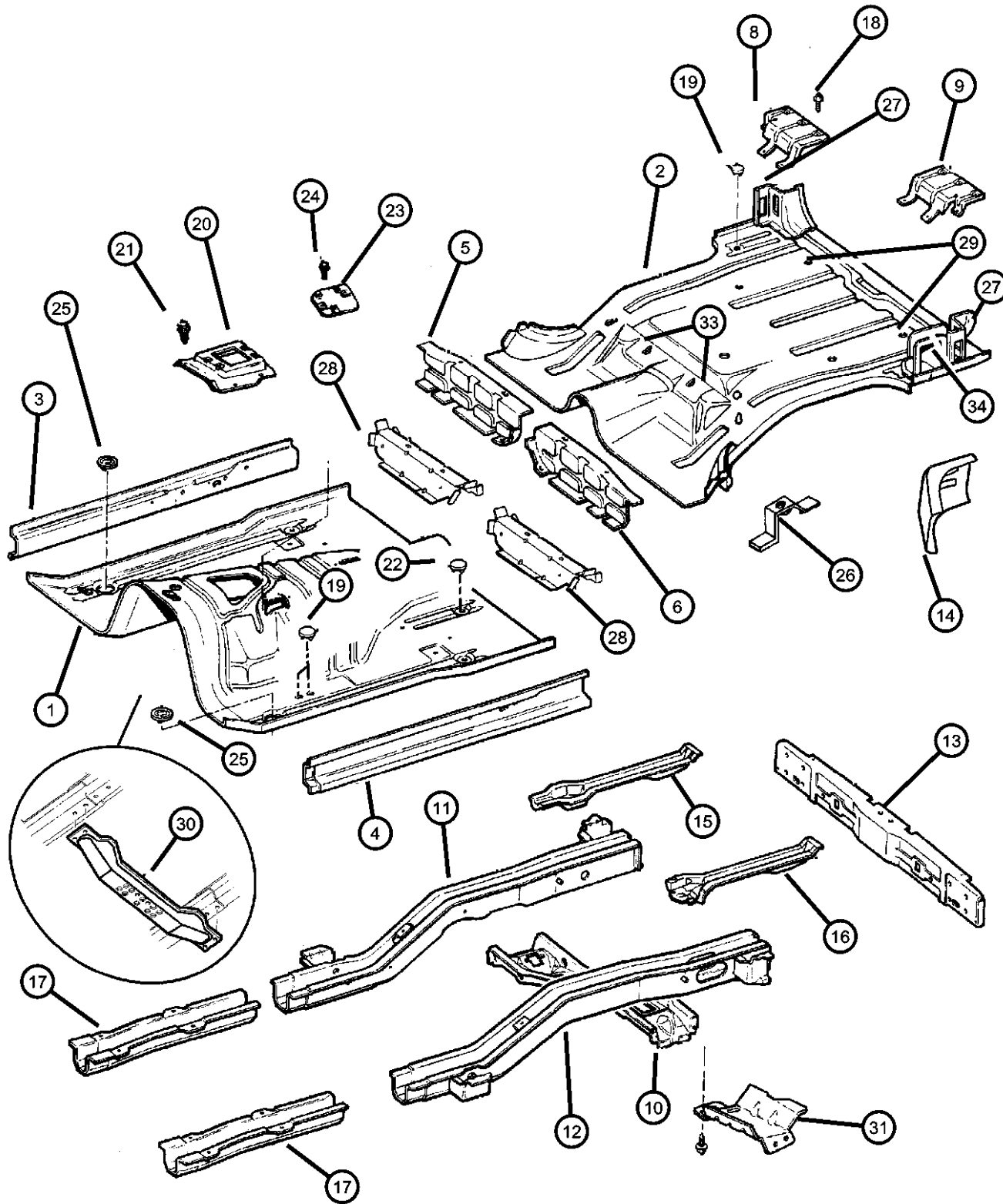
AR = use ase required - = Non illustrated part

2000 XJ

Pans, Floor
Figure SXJ-210

ITEM	PART NUMBER	QTY	LINE	SERIES	BODY	ENGINE	TRANS	TRIM	DESCRIPTION
------	-------------	-----	------	--------	------	--------	-------	------	-------------

		1	J, T, U		72				Right
	55175961	1			74				Left
		1	J, T, U		72				Left



CHEROKEE (XJ)

SERIES	LINE
H = Sport	T = JEEP - 2WD
L = SE	B = JEEP - 2WD (RHD)
P = Classic	J = JEEP - 4WD
S = Limited	U = JEEP - 4WD (RHD)

BODY
74 = 4 Dr (101.4WB)
72 = 2 Dr (101.4WB)

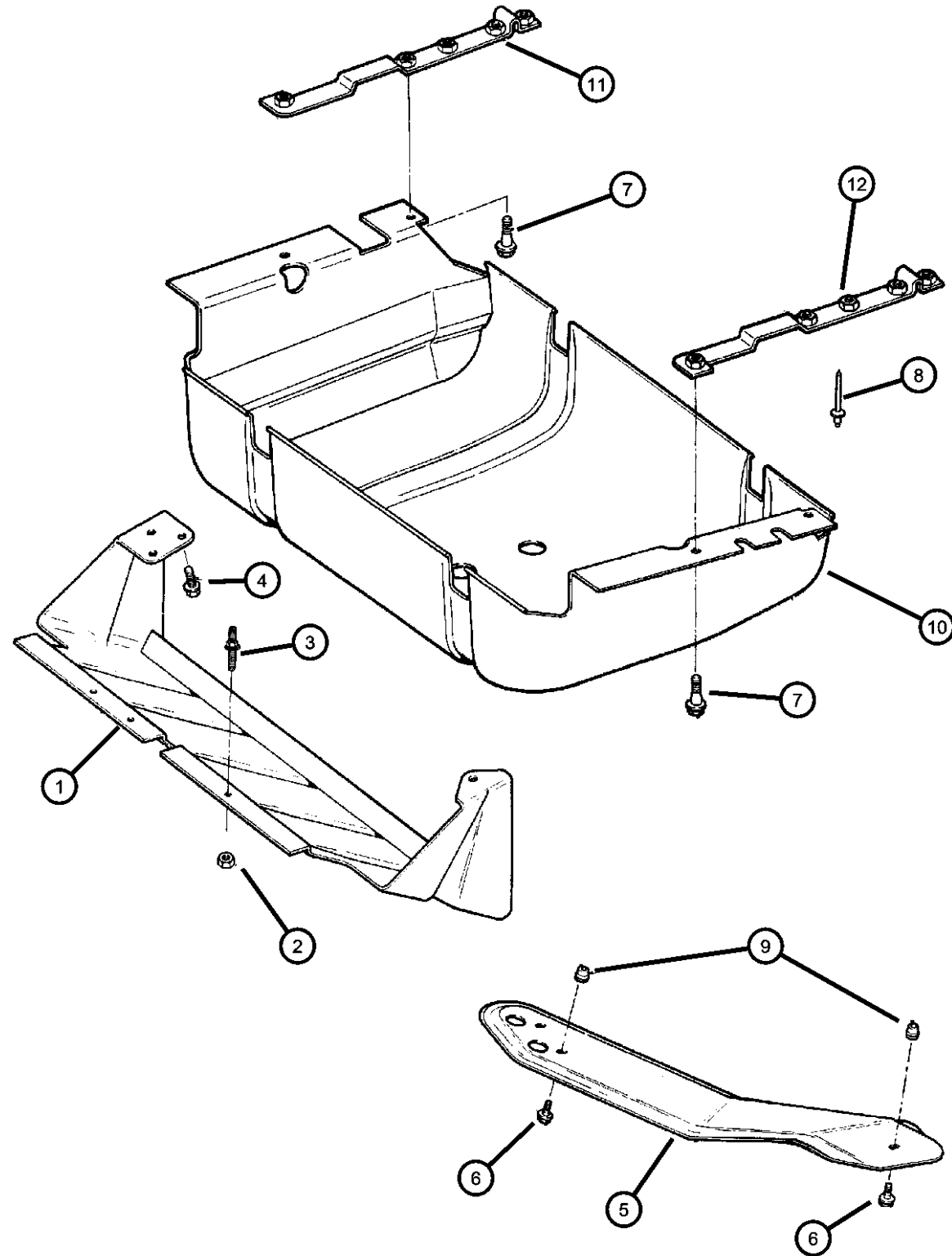
ENGINE
ENC = ENGINE - 2.5L 4 CYL TURBO DIESEL
EPE = ENGINE - 2.5L POWER TECH I-4 Cyl.
ERH = ENGINE - 4.0L POWER TECH I-6

TRANSMISSION
DDD = TRANSMISSION - 5-SPEED HD MANUAL
DDQ = TRANSMISSION - 5-SPEED MANUAL
DGD = TRANSMISSION - 3-SPD. AUTOMATIC,30RH
DGK = TRANSMISSION - 4-SPD. AUTOMATIC,42RE
DGS = TRANSMISSION-4SPD. AUTO,AISIN WARNER
DGT = TRANSMISSION - 4-SPD. AUTOMATIC,46RE
DGW = TRANSMISSION - 4-SPD. AUTOMATIC,44RE
DGX = TRANSMISSION - 4-SPEED AUTOMATIC
DBB = ALL MANUAL TRANSMISSIONS
DGO = ALL AUTOMATIC TRANSMISSIONS

AR = use ase required - = Non illustrated part

2000 XJ

Plates, Underbody Skid
Figure SXJ-220



ITEM	PART NUMBER	QTY	LINE	SERIES	BODY	ENGINE	TRANS	TRIM	DESCRIPTION
1	82202851	1							PLATE PACKAGE, Skid - Front
2	J4200046	3							NUT AND WASHER, Hex Flange, M8x1.25
3	06505888AA	3							STUD
4	34201540	4							BOLT AND WASHER, Implement Attaching
5	82205147	1	J		72, 74				PLATE PACKAGE, Skid - Transfer Case
6	11502850	4							BOLT, Hex Flange Head, M8x1.25x20
7	34201964	4							BOLT, Hex Flange Head, M12x1.75x40
8	34201964	4							RIVET, .250x.475, (NOT SERVICED)
9	34201575	2	J, U						NUT, Insert, M8 x 1.25 x 18.29
10	52100328AA	1							PLATE, Skid
11	52001174	1							REINFORCEMENT, SillRight
12	52001175	1							REINFORCEMENT, SillLeft

CHEROKEE (XJ)

SERIES	LINE
H = Sport	T = JEEP - 2WD
L = SE	B = JEEP - 2WD (RHD)
P = Classic	J = JEEP - 4WD
S = Limited	U = JEEP - 4WD (RHD)

BODY
74 = 4 Dr (101.4WB)
72 = 2 Dr (101.4WB)

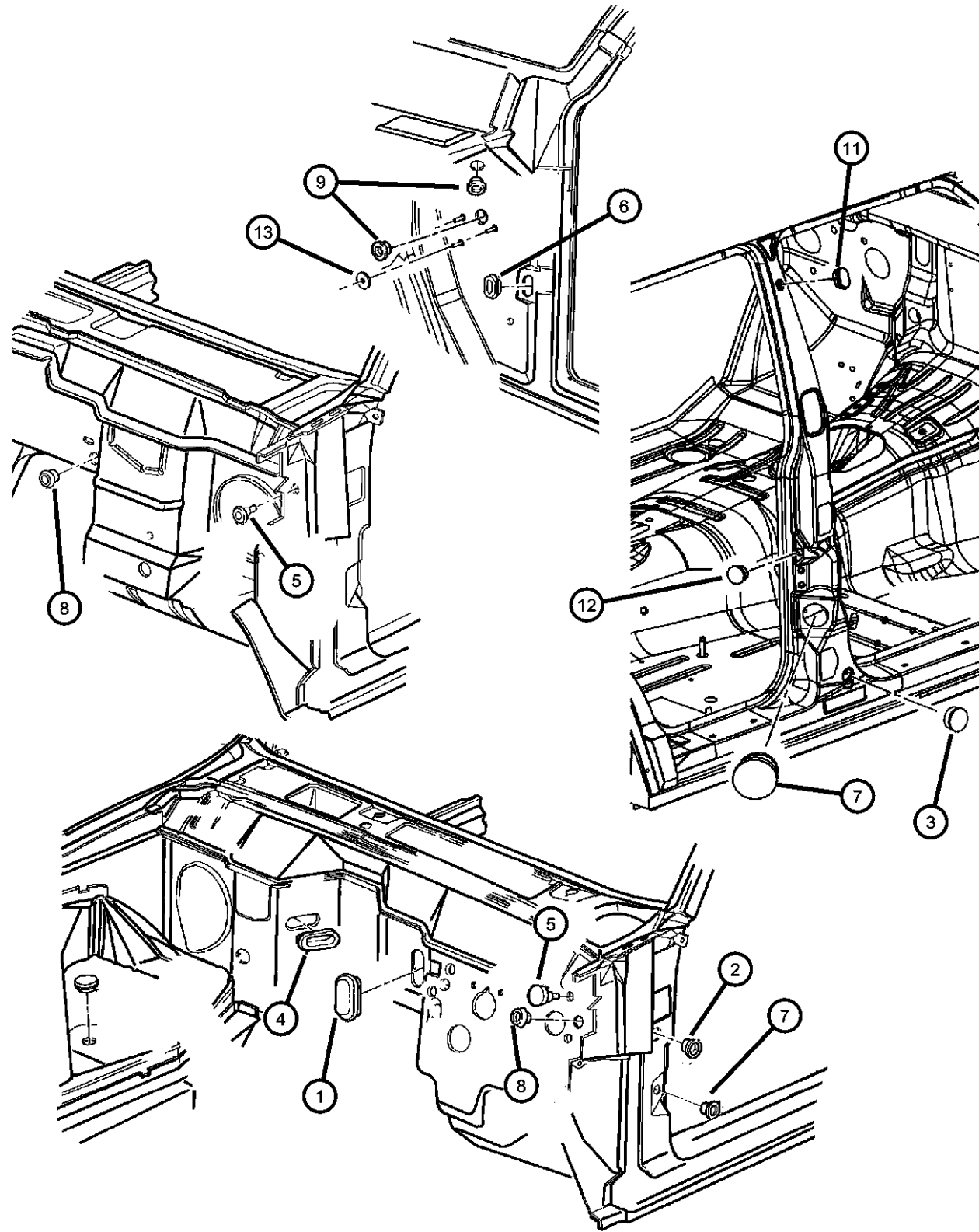
ENGINE
ENC = ENGINE - 2.5L 4 CYL TURBO DIESEL
EPE = ENGINE - 2.5L POWER TECH I-4 Cyl.
ERH = ENGINE - 4.0L POWER TECH I-6

TRANSMISSION
DDD = TRANSMISSION - 5-SPEED HD MANUAL
DDQ = TRANSMISSION - 5-SPEED MANUAL
DGD = TRANSMISSION - 3-SPD. AUTOMATIC,30RH
DGK = TRANSMISSION - 4-SPD. AUTOMATIC,42RE
DGS = TRANSMISSION-4SPD. AUTO,AISIN WARNER
DGT = TRANSMISSION - 4-SPD. AUTOMATIC,46RE
DGW = TRANSMISSION - 4-SPD. AUTOMATIC,44RE
DGX = TRANSMISSION - 4-SPEED AUTOMATIC
DBB = ALL MANUAL TRANSMISSIONS
DGO = ALL AUTOMATIC TRANSMISSIONS

AR = use ase required - = Non illustrated part

2000 XJ

Plugs
Figure SXJ-310



ITEM	PART NUMBER	QTY	LINE	SERIES	BODY	ENGINE	TRANS	TRIM	DESCRIPTION
1	34202215	1	B, J, U						PLUG, Dash Panel
2	J4000377	2							PLUG, Floor Pan, 1.00 Diameter
3	J4000377	2							PLUG, Floor Pan, 1.00 Diameter
4	06502246	1							PLUG, Body, 4.0mm X 76.4mm
5	06502246	1							PLUG, (NOT SERVICED)
6	06502246	1							PLUG, Body, 25.4mm x 39mm, (NOT REQUIRED)
7	55002367	2							PLUG, Door Wiring Conduit
8	06034362	1							PLUG, Body, 31.9mm Diameter
9	55275493AA	2							PLUG, Body
-10	04586055	2							PLUG, Floor Pan
11	01774076	2			74				PLUG
12	04373728	2							PLUG
13	55235952AA	3							WASHER, Sealing

CHEROKEE (XJ)

SERIES	LINE
H = Sport	T = JEEP - 2WD
L = SE	B = JEEP - 2WD (RHD)
P = Classic	J = JEEP - 4WD
S = Limited	U = JEEP - 4WD (RHD)

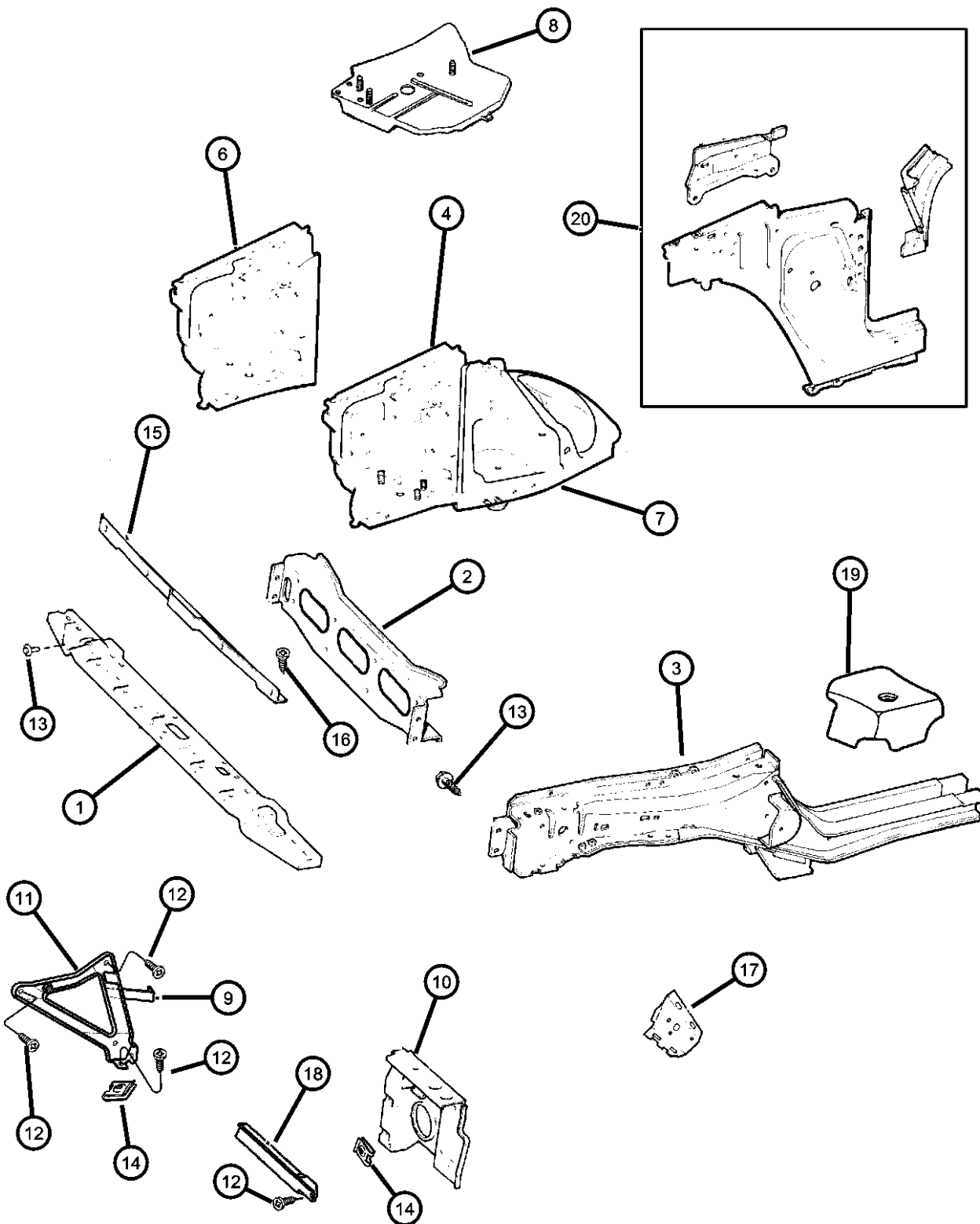
BODY
74 = 4 Dr (101.4WB)
72 = 2 Dr (101.4WB)

ENGINE	TRANSMISSION
ENC = ENGINE - 2.5L 4 CYL TURBO DIESEL	DDD = TRANSMISSION - 5-SPEED HD MANUAL
EPE = ENGINE - 2.5L POWER TECH I-4 Cyl.	DDQ = TRANSMISSION - 5-SPEED MANUAL
ERH = ENGINE - 4.0L POWER TECH I-6	DGD = TRANSMISSION - 3-SPD. AUTOMATIC,30RH
	DGK = TRANSMISSION - 4-SPD. AUTOMATIC,42RE
	DGS = TRANSMISSION-4SPD. AUTO,AISIN WARNER
	DGT = TRANSMISSION - 4-SPD. AUTOMATIC,46RE
	DGW = TRANSMISSION - 4-SPD. AUTOMATIC,44RE
	DGX = TRANSMISSION - 4-SPEED AUTOMATIC
	DBB = ALL MANUAL TRANSMISSIONS
	DGO = ALL AUTOMATIC TRANSMISSIONS

AR = use ase required - = Non illustrated part

2000 XJ

**Panels, Front End Inner and Wheelhouse
Figure SXJ-410**



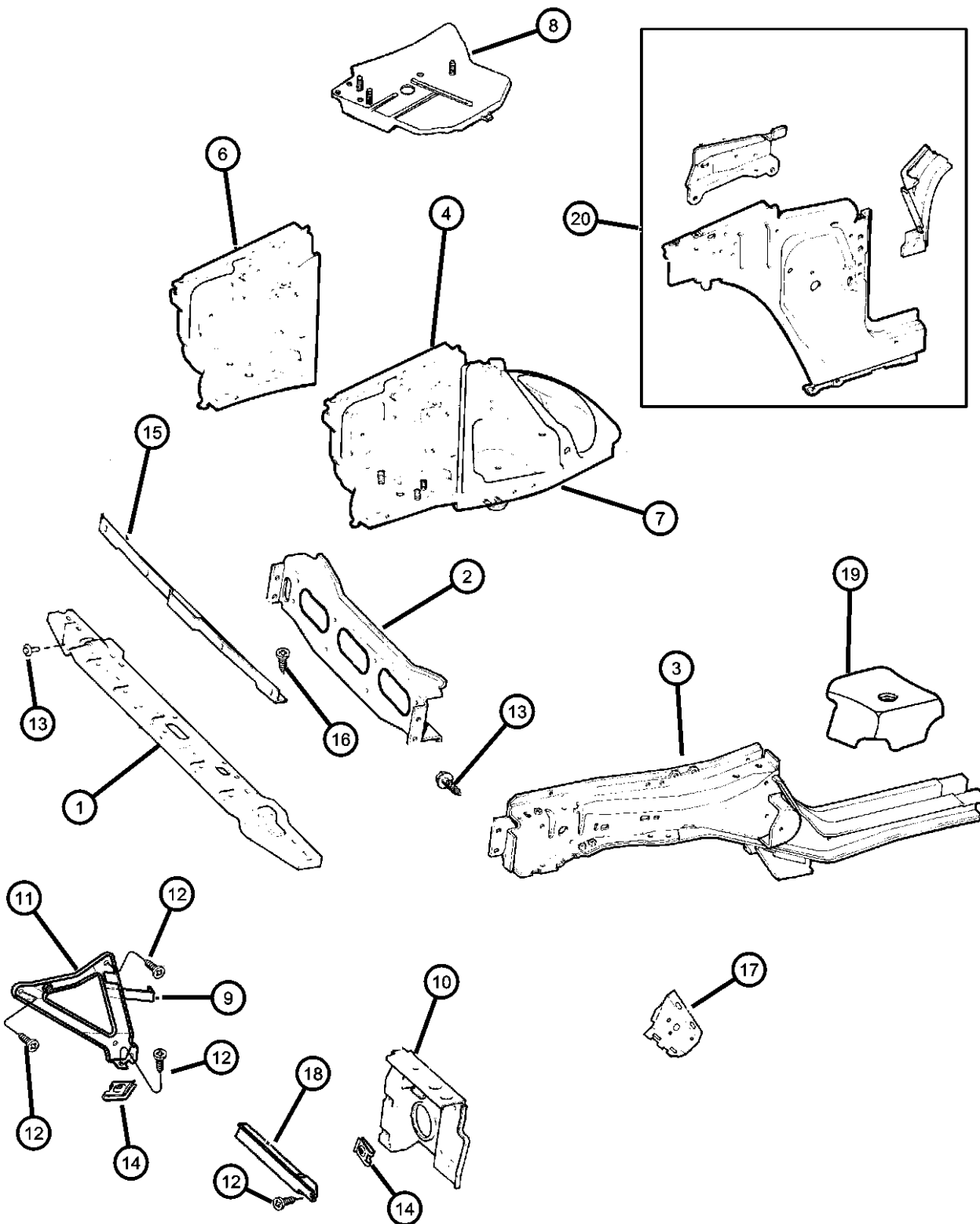
ITEM	PART NUMBER	QTY	LINE	SERIES	BODY	ENGINE	TRANS	TRIM	DESCRIPTION
1	55235830AA	1							CROSSMEMBER, Radiator
2	55174978	1							CROSSMEMBER, Front Suspension
3									PANEL, Sill
	04798084AB	1	J, T						Right
	04798085AB	1	J, T						Left
	04897136AB	1	B, U						Right
	04897137AB	1	B, U						Left
4									WHEELHOUSE, Front Inner
	55175636	1	B, U						Right
	55175637	1	B, U						Left
	55175640AB	1	J, T						Right
	55235517AB	1	J, T						Left
-5	09428962	3	B, U						SCREW, Internal Weld Stud, .250x20x.625
6									PANEL, Front Wheelhouse
	55235624AB	1							Right
	55235625AB	1							Left
7									SUPPORT, Shock Absorber
	55174992	1							Right
	55174993	1							Left
	55175003	1							Includes 55174993 & 6503267 Screw, Left
8									REINFORCEMENT, Battery Tray
	55015210	1							Diesel, Left Side
	55235293	1							
9	55019221	2							REINFORCEMENT, Sill

CHEROKEE (XJ)

SERIES	LINE	BODY	ENGINE	TRANSMISSION
H = Sport	T = JEEP - 2WD	74 = 4 Dr (101.4WB)	ENC = ENGINE - 2.5L 4 CYL TURBO DIESEL	DDD = TRANSMISSION - 5-SPEED HD MANUAL
L = SE	B = JEEP - 2WD (RHD)	72 = 2 Dr (101.4WB)	EPE = ENGINE - 2.5L POWER TECH I-4 Cyl.	DDQ = TRANSMISSION - 5-SPEED MANUAL
P = Classic	J = JEEP - 4WD		ERH = ENGINE - 4.0L POWER TECH I-6	DGD = TRANSMISSION - 3-SPD. AUTOMATIC,30RH
S = Limited	U = JEEP - 4WD (RHD)			DGK = TRANSMISSION - 4-SPD. AUTOMATIC,42RE
				DGS = TRANSMISSION-4SPD. AUTO,AISIN WARNER
				DGT = TRANSMISSION - 4-SPD. AUTOMATIC,46RE
				DGW = TRANSMISSION - 4-SPD. AUTOMATIC,44RE
				DGX = TRANSMISSION - 4-SPEED AUTOMATIC
				DBB = ALL MANUAL TRANSMISSIONS
				DGO = ALL AUTOMATIC TRANSMISSIONS

AR = use ase required - = Non illustrated part

Panels, Front End Inner and Wheelhouse
Figure SXJ-410



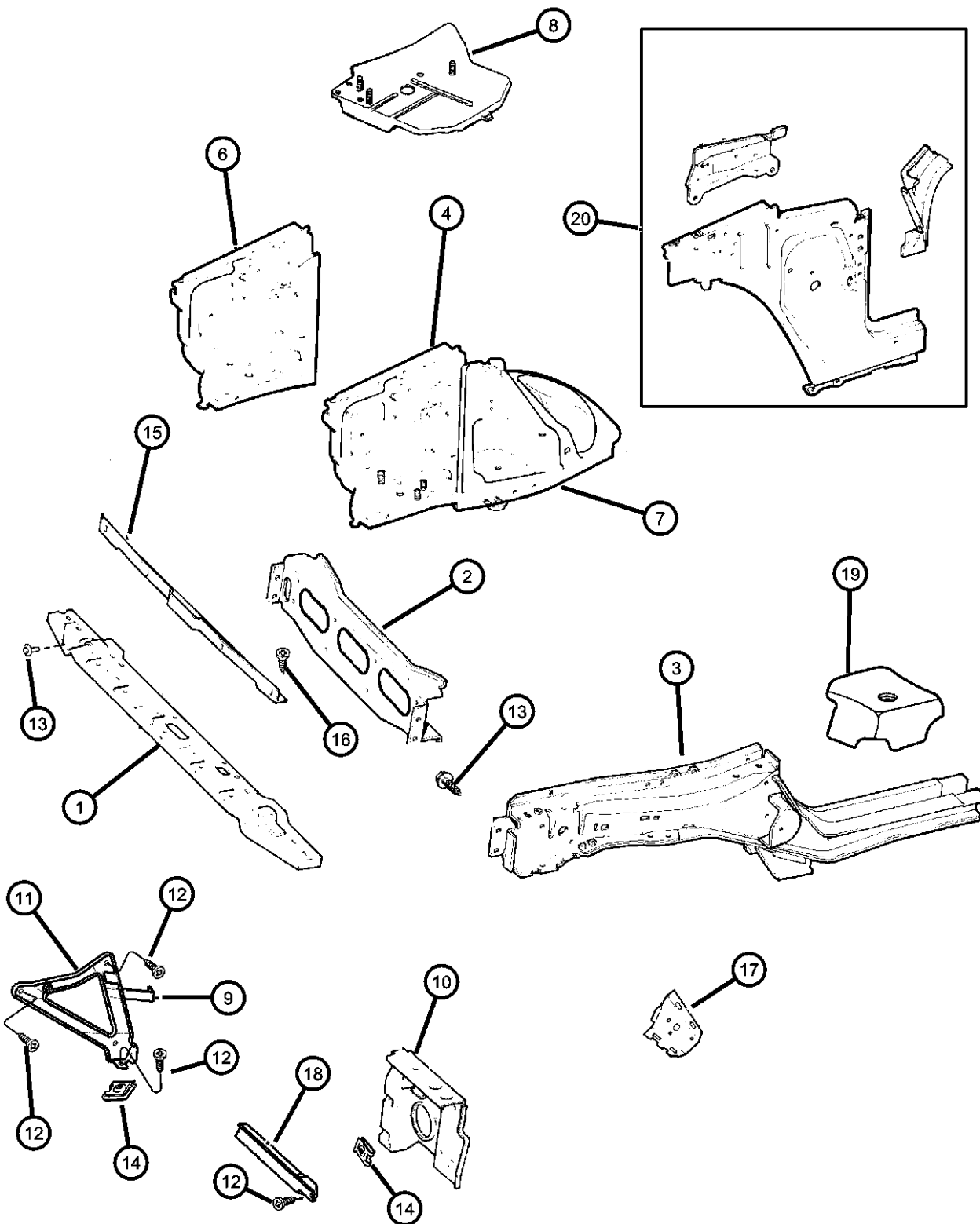
ITEM	PART NUMBER	QTY	LINE	SERIES	BODY	ENGINE	TRANS	TRIM	DESCRIPTION
10	55235220AD	1							BAFFLE, Radiator Right
	55235221AD	1							Left
11	55013176AB	1							REINFORCEMENT, Sill Right
	55013177AB	1							Left
12	34202575	2							SCREW AND WASHER, Hex Head
13									SCREW AND CONED WASHER, Hex Head, M6x1.00x16.00
	34201808	AR			J, U				
		AR			B, T				
14	06504118	3							U-NUT, M6 x 1.00, M6x1.00
15	55010074AC	1							BRACKET, Grille
16	06503259	4							SCREW, Tapping, M6x1x20
17									REINFORCEMENT, Sill Right
	55006948	1							Left
18	55006949	1							REINFORCEMENT, Radiator Baffle, Serviced With BAFFLE, Radiator, (NOT SERVICED)
19									REINFORCEMENT, Spring and Shock Right
	55346022	1							Left
	55346023	1							
20									REINFORCEMENT, Pillar And Cowl

CHEROKEE (XJ)

SERIES	LINE	BODY	ENGINE	TRANSMISSION
H = Sport	T = JEEP - 2WD	74 = 4 Dr (101.4WB)	ENC = ENGINE - 2.5L 4 CYL TURBO DIESEL	DDD = TRANSMISSION - 5-SPEED HD MANUAL
L = SE	B = JEEP - 2WD (RHD)	72 = 2 Dr (101.4WB)	EPE = ENGINE - 2.5L POWER TECH I-4 Cyl.	DDQ = TRANSMISSION - 5-SPEED MANUAL
P = Classic	J = JEEP - 4WD		ERH = ENGINE - 4.0L POWER TECH I-6	DGD = TRANSMISSION - 3-SPD. AUTOMATIC,30RH
S = Limited	U = JEEP - 4WD (RHD)			DGK = TRANSMISSION - 4-SPD. AUTOMATIC,42RE
				DGS = TRANSMISSION-4SPD. AUTO,AISIN WARNER
				DGT = TRANSMISSION - 4-SPD. AUTOMATIC,46RE
				DGW = TRANSMISSION - 4-SPD. AUTOMATIC,44RE
				DGX = TRANSMISSION - 4-SPEED AUTOMATIC
				DBB = ALL MANUAL TRANSMISSIONS
				DGO = ALL AUTOMATIC TRANSMISSIONS

AR = use ase required - = Non illustrated part

**Panels, Front End Inner and Wheelhouse
Figure SXJ-410**



ITEM	PART NUMBER	QTY	LINE	SERIES	BODY	ENGINE	TRANS	TRIM	DESCRIPTION
------	-------------	-----	------	--------	------	--------	-------	------	-------------

	55175194	1							Right
	55175195	1							Left

CHEROKEE (XJ)

SERIES	LINE	BODY	ENGINE	TRANSMISSION
H = Sport	T = JEEP - 2WD	74 = 4 Dr (101.4WB)	ENC = ENGINE - 2.5L 4 CYL TURBO DIESEL	DDD = TRANSMISSION - 5-SPEED HD MANUAL
L = SE	B = JEEP - 2WD (RHD)	72 = 2 Dr (101.4WB)	EPE = ENGINE - 2.5L POWER TECH I-4 Cyl.	DDQ = TRANSMISSION - 5-SPEED MANUAL
P = Classic	J = JEEP - 4WD		ERH = ENGINE - 4.0L POWER TECH I-6	DGD = TRANSMISSION - 3-SPD. AUTOMATIC,30RH
S = Limited	U = JEEP - 4WD (RHD)			DGK = TRANSMISSION - 4-SPD. AUTOMATIC,42RE
				DGS = TRANSMISSION-4SPD. AUTO,AISIN WARNER
				DGT = TRANSMISSION - 4-SPD. AUTOMATIC,46RE
				DGW = TRANSMISSION - 4-SPD. AUTOMATIC,44RE
				DGX = TRANSMISSION - 4-SPEED AUTOMATIC
				DBB = ALL MANUAL TRANSMISSIONS
				DGO = ALL AUTOMATIC TRANSMISSIONS

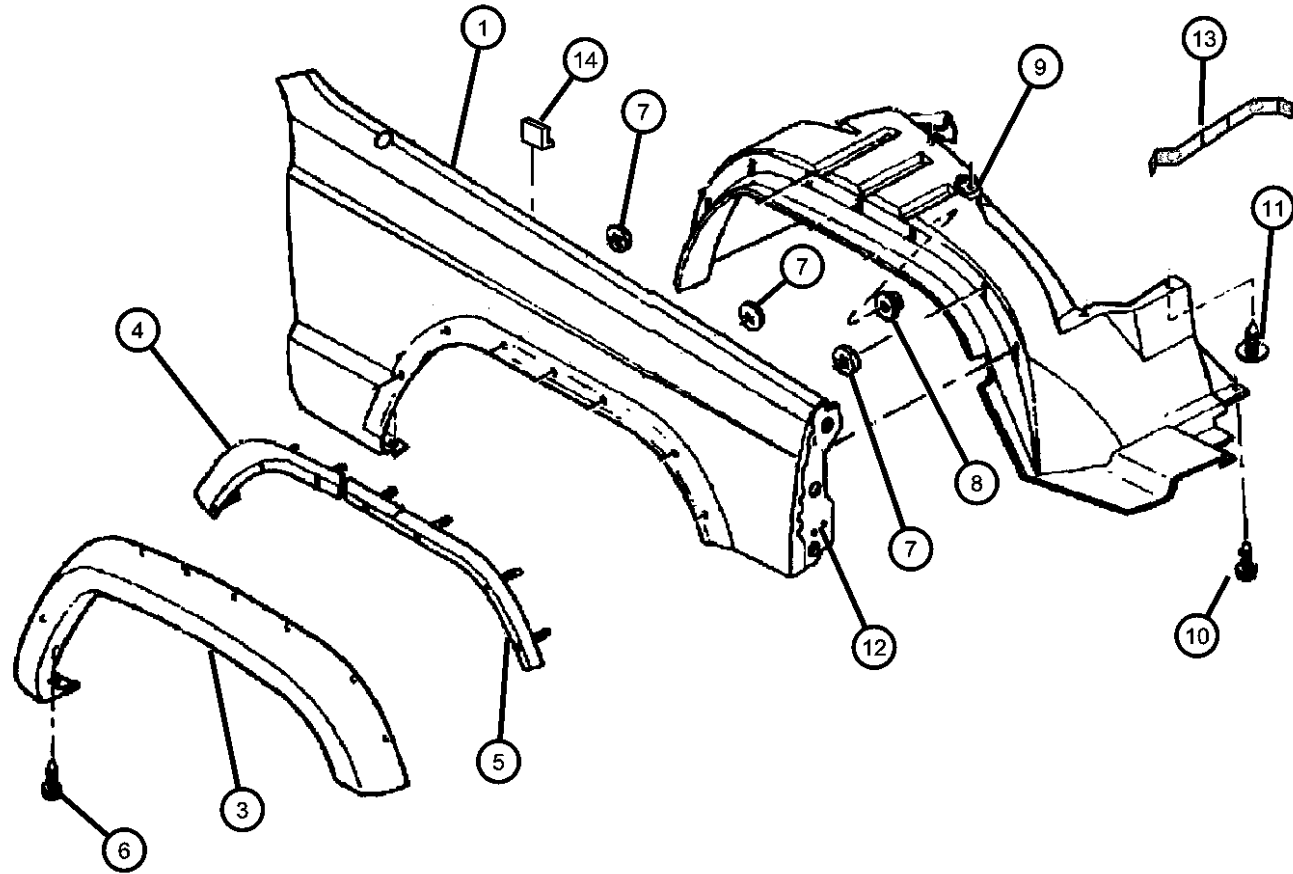
AR = use ase required - = Non illustrated part

Fenders, Front
Figure SXJ-420

ITEM	PART NUMBER	QTY	LINE	SERIES	BODY	ENGINE	TRANS	TRIM	DESCRIPTION
------	-------------	-----	------	--------	------	--------	-------	------	-------------

Sles Code : [ARU]= [SE] Decor

1									FENDER, Front
	56022320AA	1							Right
	56022321AA	1							Left
	56022322AA	1	J, U						Right, Export
	56022323AA	1	J, U						Left, Export
-2	11503745	2							NUT, Hex, M6x1
3									APPLIQUE, Fender Wheel Opening
	5FW70DX8AD	1							Glossy Black, [K3X], Right
	5FW70PR4AD	1							Flame Red, [K3R], Right
	5FW70RJPAD	1							Medium Fern Green, [K3M], Right
	5FW70SG8AD	1							Forest Green, [K3G], Right
	5FW70SW1AD	1							Stone White, [K3N], Right
	5FW70WB-TAD	1							Patroit Blue, [K3B], Right
	5FW70WT-DAD	1							Dessert Sand, [K3S], Right
	5FW70WU7AD	1							Sienna, [K3U], Right
	5FW70XS5AD	1							Silvertone, [K3L], Right
	5FW71DX8AD	1							Glossy Black, [K3X], Left
	5FW71PR4AD	1							Flame Red, [K3R], Left
	5FW71RJPAD	1							Medium Fern Green, [K3M], Left
	5FW71SG8AD	1							Forest Green, [K3G], Left
	5FW71SW1AD	1							Stone White, [K3N], Left
	5FW71WB-TAD	1							Patroit Blue, [K3B], Left



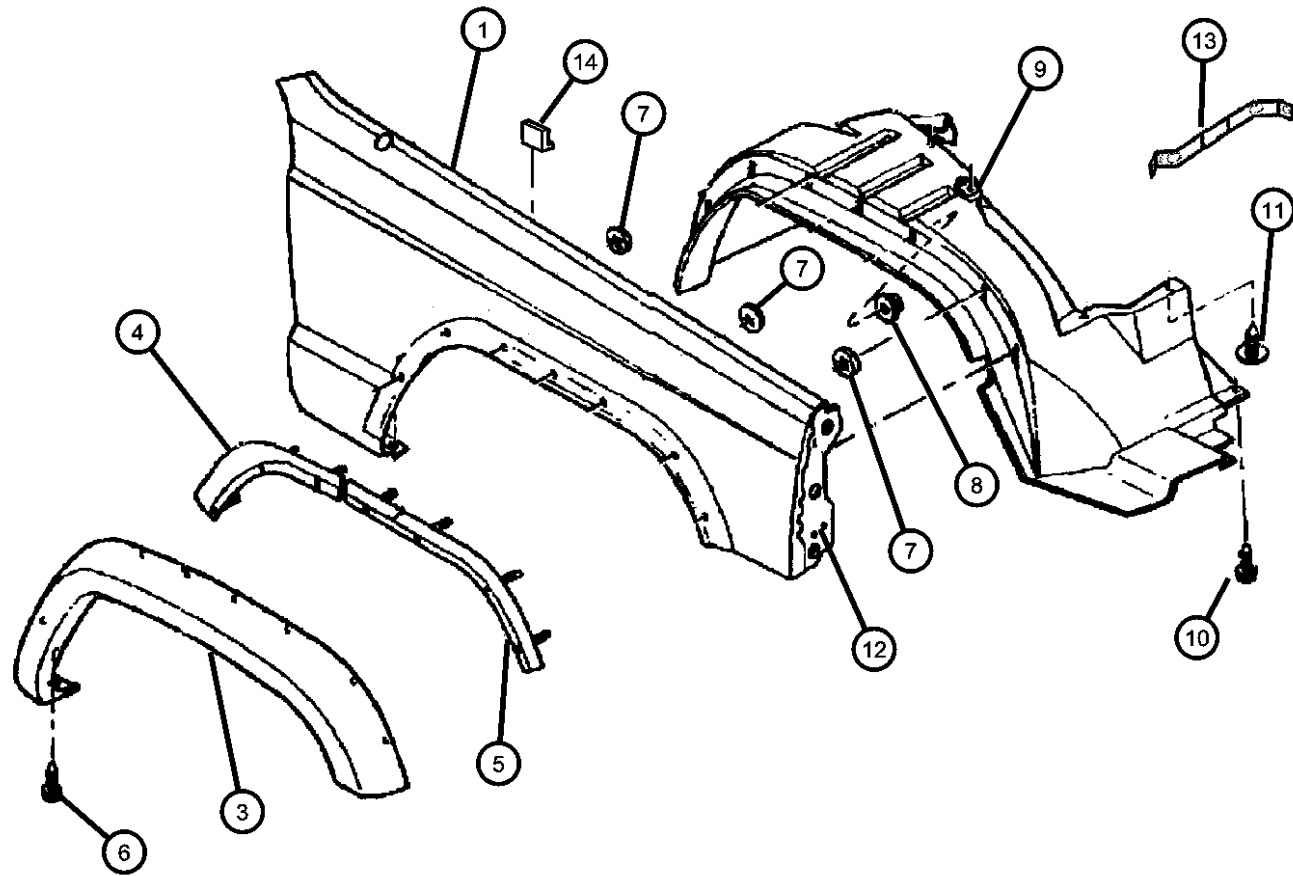
CHEROKEE (XJ)

SERIES	LINE	BODY	ENGINE	TRANSMISSION
H = Sport	T = JEEP - 2WD	74 = 4 Dr (101.4WB)	ENC = ENGINE - 2.5L 4 CYL TURBO DIESEL	DDD = TRANSMISSION - 5-SPEED HD MANUAL
L = SE	B = JEEP - 2WD (RHD)	72 = 2 Dr (101.4WB)	EPE = ENGINE - 2.5L POWER TECH I-4 Cyl.	DDQ = TRANSMISSION - 5-SPEED MANUAL
P = Classic	J = JEEP - 4WD		ERH = ENGINE - 4.0L POWER TECH I-6	DGD = TRANSMISSION - 3-SPD. AUTOMATIC,30RH
S = Limited	U = JEEP - 4WD (RHD)			DGK = TRANSMISSION - 4-SPD. AUTOMATIC,42RE
				DGS = TRANSMISSION-4SPD. AUTO,AISIN WARNER
				DGT = TRANSMISSION - 4-SPD. AUTOMATIC,46RE
				DGW = TRANSMISSION - 4-SPD. AUTOMATIC,44RE
				DGX = TRANSMISSION - 4-SPEED AUTOMATIC
				DBB = ALL MANUAL TRANSMISSIONS
				DGO = ALL AUTOMATIC TRANSMISSIONS

AR = use ase required - = Non illustrated part

2000 XJ

Fenders, Front
Figure SXJ-420



ITEM	PART NUMBER	QTY	LINE	SERIES	BODY	ENGINE	TRANS	TRIM	DESCRIPTION
	5FW71WT-DAD	1							Dessert Sand, [K3S], Left
	5FW71WU7AD	1							Sienna, [K3U], Left
	5FW71XS5AD	1							Silvertone, [K3L], Left
	5FW72DX9AD	1							Flat Black, SE Decor, [ARU], [K3Z], Right
	5FW73DX9AD	1							Flat Black, SE Decor, [ARU], [K3Z], Left
4									RETAINER, Applique, Rear
	55155674AB	1							Right
	55155675AB	1							Left
5									RETAINER, Applique, Front
	55155676AE	1							Right
	55155677AE	1							Left
6	06035322	2							SCREW
7	06505049AA	6							NUT, M5
8	J4200408	14							NUT AND WASHER, Hex Nut-Coned Washer, M5 x 0.80
9									LINER, Front Fender
	55175896AD	1							Right
	55175897AD	1							Left
10	34202575	2							SCREW AND WASHER, Hex Head
11	06030441	14							PIN, Retainer
12									BRACKET, Fender
	55175586AB	1							Extension to Baffle, Right
	55175587AB	1							Extension to Baffle, Left

CHEROKEE (XJ)

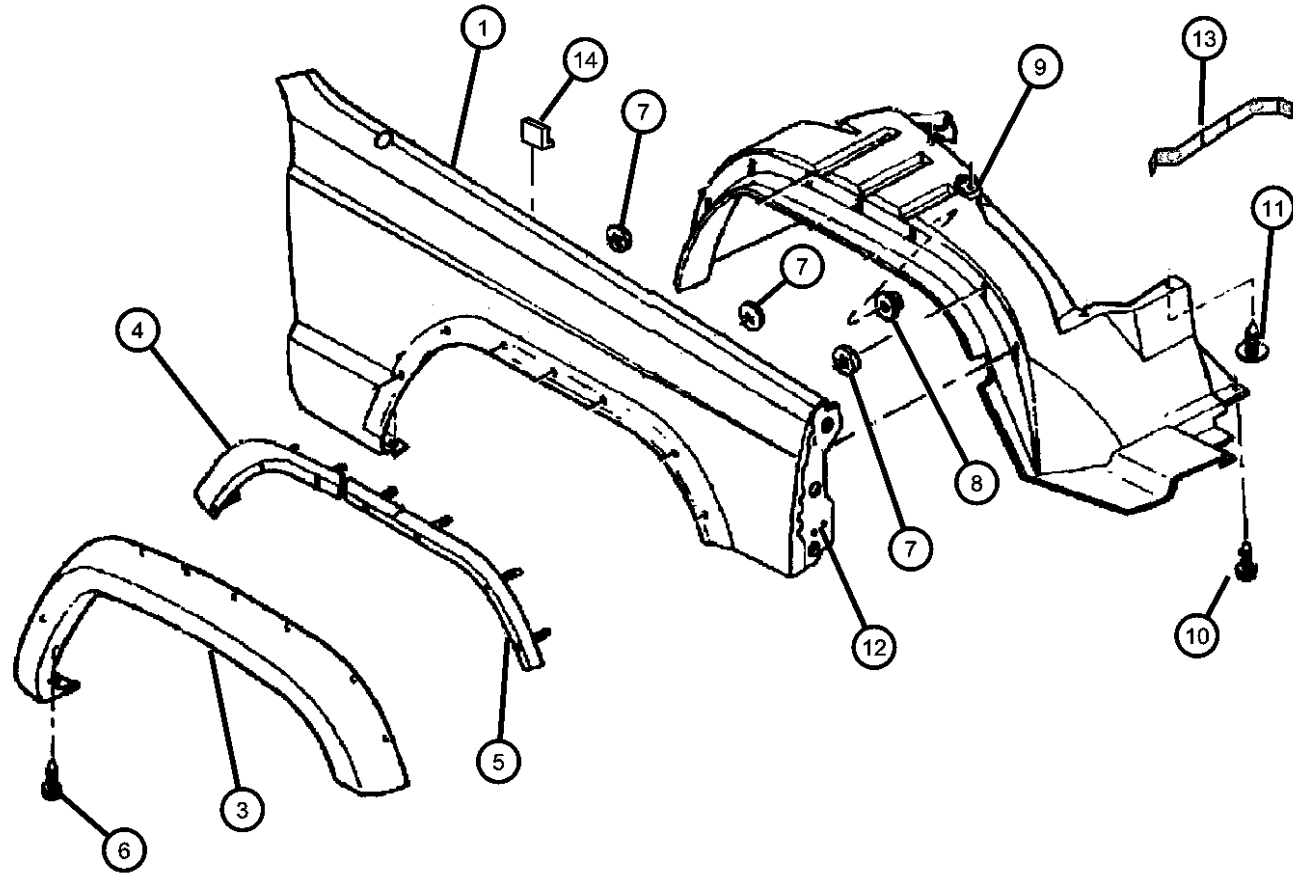
SERIES	LINE	BODY	ENGINE	TRANSMISSION
H = Sport	T = JEEP - 2WD	74 = 4 Dr (101.4WB)	ENC = ENGINE - 2.5L 4 CYL TURBO DIESEL	DDD = TRANSMISSION - 5-SPEED HD MANUAL
L = SE	B = JEEP - 2WD (RHD)	72 = 2 Dr (101.4WB)	EPE = ENGINE - 2.5L POWER TECH I-4 Cyl.	DDQ = TRANSMISSION - 5-SPEED MANUAL
P = Classic	J = JEEP - 4WD		ERH = ENGINE - 4.0L POWER TECH I-6	DGD = TRANSMISSION - 3-SPD. AUTOMATIC,30RH
S = Limited	U = JEEP - 4WD (RHD)			DGK = TRANSMISSION - 4-SPD. AUTOMATIC,42RE
				DGS = TRANSMISSION-4SPD. AUTO,AISIN WARNER
				DGT = TRANSMISSION - 4-SPD. AUTOMATIC,46RE
				DGW = TRANSMISSION - 4-SPD. AUTOMATIC,44RE
				DGX = TRANSMISSION - 4-SPEED AUTOMATIC
				DBB = ALL MANUAL TRANSMISSIONS
				DGO = ALL AUTOMATIC TRANSMISSIONS

AR = use ase required - = Non illustrated part

2000 XJ

Fenders, Front
Figure SXJ-420

ITEM	PART NUMBER	QTY	LINE	SERIES	BODY	ENGINE	TRANS	TRIM	DESCRIPTION
13	55003652	2							BRACKET, Fender, Wheelhouse To Support Spring Shock
14	J3689548	2							BUMPER, Hood, Fender to Hood



CHEROKEE (XJ)

SERIES	LINE
H = Sport	T = JEEP - 2WD
L = SE	B = JEEP - 2WD (RHD)
P = Classic	J = JEEP - 4WD
S = Limited	U = JEEP - 4WD (RHD)

BODY
74 = 4 Dr (101.4WB)
72 = 2 Dr (101.4WB)

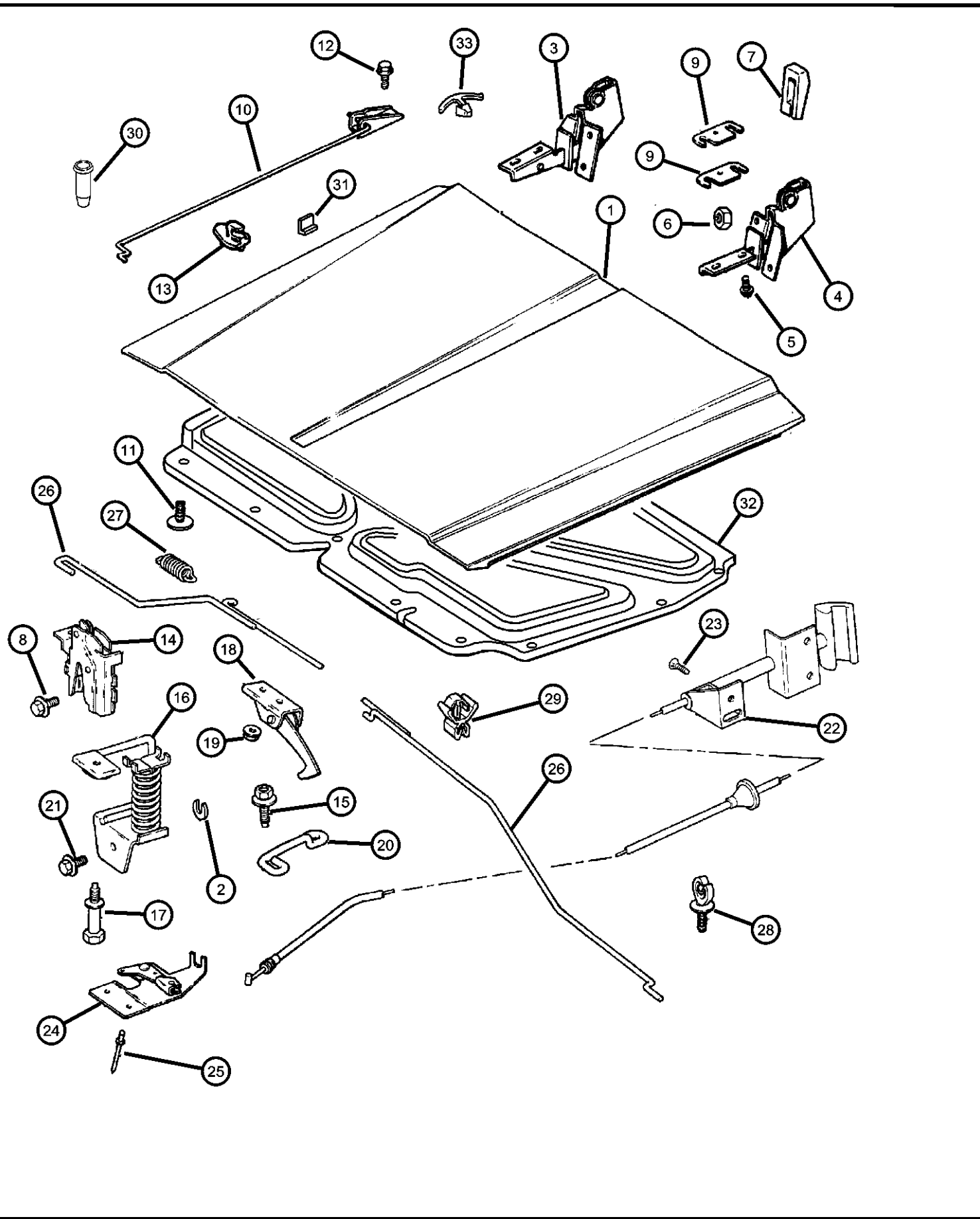
ENGINE
ENC = ENGINE - 2.5L 4 CYL TURBO DIESEL
EPE = ENGINE - 2.5L POWER TECH I-4 Cyl.
ERH = ENGINE - 4.0L POWER TECH I-6

TRANSMISSION
DDD = TRANSMISSION - 5-SPEED HD MANUAL
DDQ = TRANSMISSION - 5-SPEED MANUAL
DGD = TRANSMISSION - 3-SPD. AUTOMATIC,30RH
DGK = TRANSMISSION - 4-SPD. AUTOMATIC,42RE
DGS = TRANSMISSION-4SPD. AUTO,AISIN WARNER
DGT = TRANSMISSION - 4-SPD. AUTOMATIC,46RE
DGW = TRANSMISSION - 4-SPD. AUTOMATIC,44RE
DGX = TRANSMISSION - 4-SPEED AUTOMATIC
DBB = ALL MANUAL TRANSMISSIONS
DGO = ALL AUTOMATIC TRANSMISSIONS

AR = use ase required - = Non illustrated part

2000 XJ

Hood, Latch and Hinges Figure SXJ-510



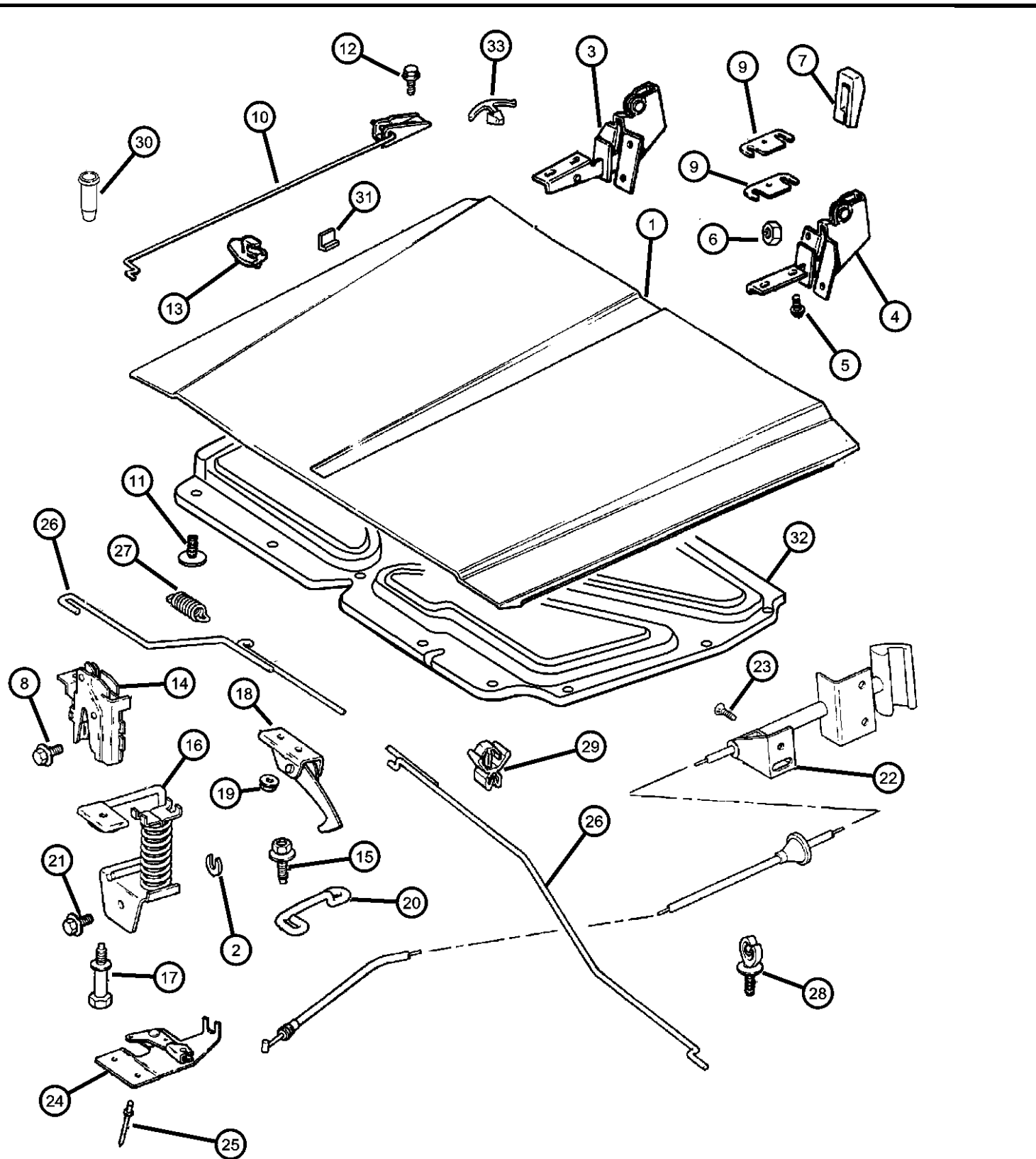
ITEM	PART NUMBER	QTY	LINE	SERIES	BODY	ENGINE	TRANS	TRIM	DESCRIPTION
1	55235439AB	1							HOOD
2	34202581	AR							SPACER, Hood Latch
3	55235724AB	1							HINGE, HoodRight
4	55235725AB	1							HINGE, HoodLeft
5	06100576	4							SCREW AND WASHER, Hex Head, M8-1.25x30
6	06506240AA	4							NUT
7	55001982	2							SEAL, Hood Hinge
8	34202005	2							SCREW, Pan Head Torx, M6x1x14
9	J0680435	AR							SHIM, Hood Hinge
10	55017480	1							ROD, Hood Prop
11									BUMPER, Hood
	04103165	1							Crossmember to Hood Adjust
	J3689548	2							Hood Front Fender Side
12	34201807	2							BOLT, Hex Flange Head, M6x1.00x16
13	55075480	1							CLIP, Prop Rod
14	55235523AC	2							LATCH, Hood
15	06504641	2							SCREW AND WASHER, Button Head Torx
16	55075884	2							STRIKER, Hood Latch
17	06503963	2							BOLT AND CONED WASHER, Hex Head, M8x1.25x58.28
18	55009998AE	1							HOOK, Hood Safety Catch
19	34201680	2							NUT, Hex Flange, M6x1
20	55009999AB	1							STRIKER, Hood Safety Catch
21	06504641	2							SCREW AND WASHER, Button Head Torx

CHEROKEE (XJ)

SERIES	LINE	BODY	ENGINE	TRANSMISSION
H = Sport	T = JEEP - 2WD	74 = 4 Dr (101.4WB)	ENC = ENGINE - 2.5L 4 CYL TURBO DIESEL	DDD = TRANSMISSION - 5-SPEED HD MANUAL
L = SE	B = JEEP - 2WD (RHD)	72 = 2 Dr (101.4WB)	EPE = ENGINE - 2.5L POWER TECH I-4 Cyl.	DDQ = TRANSMISSION - 5-SPEED MANUAL
P = Classic	J = JEEP - 4WD		ERH = ENGINE - 4.0L POWER TECH I-6	DGD = TRANSMISSION - 3-SPD. AUTOMATIC,30RH
S = Limited	U = JEEP - 4WD (RHD)			DGK = TRANSMISSION - 4-SPD. AUTOMATIC,42RE
				DGS = TRANSMISSION-4SPD. AUTO,AISIN WARNER
				DGT = TRANSMISSION - 4-SPD. AUTOMATIC,46RE
				DGW = TRANSMISSION - 4-SPD. AUTOMATIC,44RE
				DGX = TRANSMISSION - 4-SPEED AUTOMATIC
				DBB = ALL MANUAL TRANSMISSIONS
				DGO = ALL AUTOMATIC TRANSMISSIONS

AR = use ase required - = Non illustrated part

Hood, Latch and Hinges Figure SXJ-510



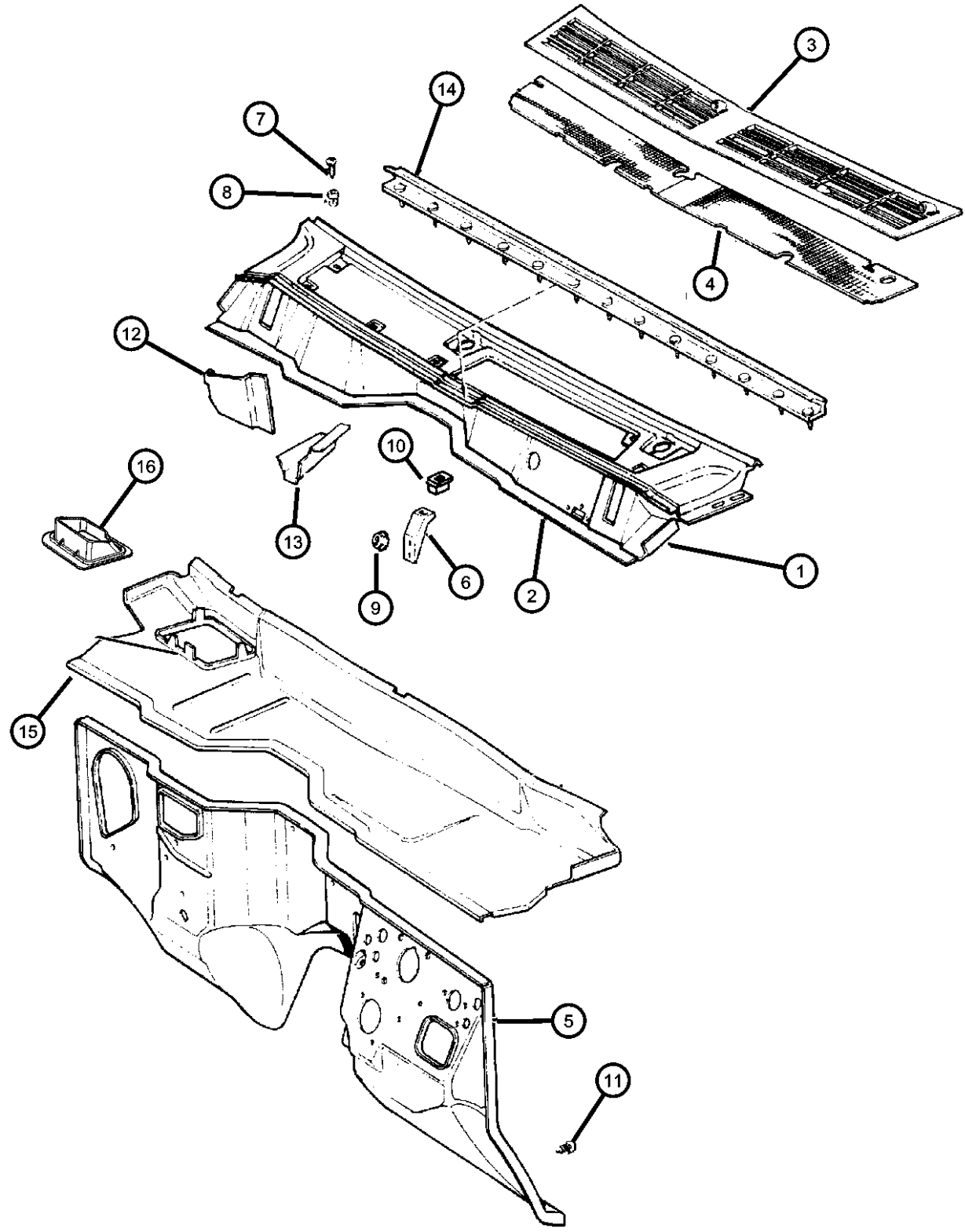
ITEM	PART NUMBER	QTY	LINE	SERIES	BODY	ENGINE	TRANS	TRIM	DESCRIPTION
22									CABLE, Hood Release
	55235270AD	1	B, U						
	55235483AB	1	J, T						
23	06504997AA	3	J, T						SCREW
24	55074526AC	1							BELLCRANK, Hood Release
25	34201208	2							RIVET, M4.8x13.23
26	55075442	1							ROD, Hood Latch
27	55029718	1							SPRING, Hood Latch
28									CLIP, Tube
	32000404	3	B, U						
		2	J, T						
29	34202688	2							CLIP, Latch&Line
30	06505175AA	2							NUT, Rivet
31	J3689548	2							BUMPER, Hood, Hood Front Fender Side
32	55217068AE	1							INSULATION, Hood
33	06003351	13							RETAINER, Hood Insulation, .415x.690

CHEROKEE (XJ)

SERIES	LINE	BODY	ENGINE	TRANSMISSION
H = Sport	T = JEEP - 2WD	74 = 4 Dr (101.4WB)	ENC = ENGINE - 2.5L 4 CYL TURBO DIESEL	DDD = TRANSMISSION - 5-SPEED HD MANUAL
L = SE	B = JEEP - 2WD (RHD)	72 = 2 Dr (101.4WB)	EPE = ENGINE - 2.5L POWER TECH I-4 Cyl.	DDQ = TRANSMISSION - 5-SPEED MANUAL
P = Classic	J = JEEP - 4WD		ERH = ENGINE - 4.0L POWER TECH I-6	DGD = TRANSMISSION - 3-SPD. AUTOMATIC,30RH
S = Limited	U = JEEP - 4WD (RHD)			DGK = TRANSMISSION - 4-SPD. AUTOMATIC,42RE
				DGS = TRANSMISSION-4SPD. AUTO,AISIN WARNER
				DGT = TRANSMISSION - 4-SPD. AUTOMATIC,46RE
				DGW = TRANSMISSION - 4-SPD. AUTOMATIC,44RE
				DGX = TRANSMISSION - 4-SPEED AUTOMATIC
				DBB = ALL MANUAL TRANSMISSIONS
				DGO = ALL AUTOMATIC TRANSMISSIONS

AR = use ase required - = Non illustrated part

Panels, Cowl And Dash, L.H.D.
Figure SXJ-610



ITEM	PART NUMBER	QTY	LINE	SERIES	BODY	ENGINE	TRANS	TRIM	DESCRIPTION
1	55175386AC	1	J, T						PANEL, Cowl
2	55175638AB	1	J, T						EXTENSION, Cowl Top
3	55008832AC	1	J, T						GRILLE, Cowl Panel
4	55008833	1	J, T						SCREEN, Cowl
5	55175378AC	1	J, T						PANEL, Dash
6	55235370AB	1	J, T						BRACKET, Grille To Cowl Extension
7	34201230	7							SCREW, Round Washer Head AB
8	J4005242	5							NUT, Push
9	34201358	2							NUT AND WASHER, Hex Nut-Sealing Washer, M6 x 1.00
10	06505366AA	1							NUT, Snap In
11	06505366AA	1							RIVET, Blind Expansion (R-Lok), (NOT SERVICED)
12	55006544	1	J, T						SHIELD, Plenum
13	55004918AB	1	J, T						SHIELD, Cowl
14	55235178AB	1							SEAL, Hood To Cowl
15	55175964AB	1	J, T						PANEL, Cowl And Plenum
16	55037128AB	1	J, T						BAFFLE, Air Inlet

CHEROKEE (XJ)

SERIES	LINE
H = Sport	T = JEEP - 2WD
L = SE	B = JEEP - 2WD (RHD)
P = Classic	J = JEEP - 4WD
S = Limited	U = JEEP - 4WD (RHD)

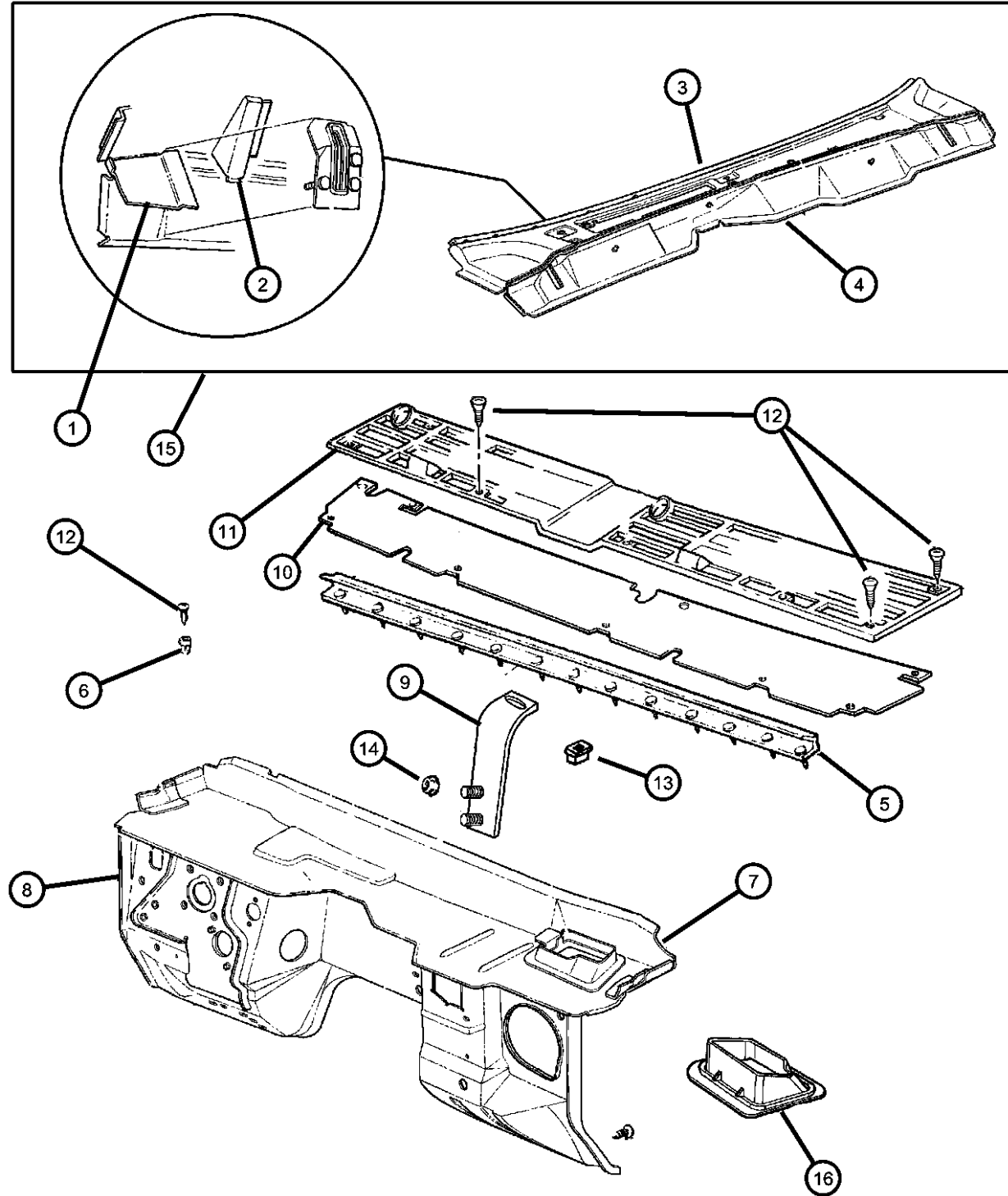
BODY
74 = 4 Dr (101.4WB)
72 = 2 Dr (101.4WB)

ENGINE
ENC = ENGINE - 2.5L 4 CYL TURBO DIESEL
EPE = ENGINE - 2.5L POWER TECH I-4 Cyl.
ERH = ENGINE - 4.0L POWER TECH I-6

TRANSMISSION
DDD = TRANSMISSION - 5-SPEED HD MANUAL
DDQ = TRANSMISSION - 5-SPEED MANUAL
DGD = TRANSMISSION - 3-SPD. AUTOMATIC,30RH
DGK = TRANSMISSION - 4-SPD. AUTOMATIC,42RE
DGS = TRANSMISSION-4SPD. AUTO,AISIN WARNER
DGT = TRANSMISSION - 4-SPD. AUTOMATIC,46RE
DGW = TRANSMISSION - 4-SPD. AUTOMATIC,44RE
DGX = TRANSMISSION - 4-SPEED AUTOMATIC
DBB = ALL MANUAL TRANSMISSIONS
DGO = ALL AUTOMATIC TRANSMISSIONS

AR = use ase required - = Non illustrated part

**Cowl And Dash Panel, R.H.D.
Figure SXJ-620**



ITEM	PART NUMBER	QTY	LINE	SERIES	BODY	ENGINE	TRANS	TRIM	DESCRIPTION
1	55027542	1	B, U						SHIELD, Plenum
2	55027543	1	B, U						SHIELD, Cowl
3	55175387AC	1	B, U						PANEL, Cowl, Includes Item #4
4	55175639AB	1	B, U						EXTENSION, Cowl Top
5	55235178AB	1							SEAL, Hood To Cowl
6	J4005242	5							NUT, Push
7	55175965AB	1	B, U						PANEL, Cowl And Plenum
8	55175379AC	1	B, U						PANEL, Dash
9	55235371AB	1	B, U						BRACKET, Extension to Cowl Top
10	55027697	1	B, U						SCREEN, Cowl
11	55027696	1	B, U						GRILLE, Cowl Panel
12	34201230	7							SCREW, Round Washer Head AB
13	06505366AA	1							NUT, Snap In
14	34201358	2							NUT AND WASHER, Hex Nut-Sealing Washer, M6 x 1.00
15	55175387AC	1	B, U						PANEL, Cowl
16	55037127AB	1	B, U						BAFFLE, Air Inlet

CHEROKEE (XJ)

SERIES	LINE
H = Sport	T = JEEP - 2WD
L = SE	B = JEEP - 2WD (RHD)
P = Classic	J = JEEP - 4WD
S = Limited	U = JEEP - 4WD (RHD)

BODY
74 = 4 Dr (101.4WB)
72 = 2 Dr (101.4WB)

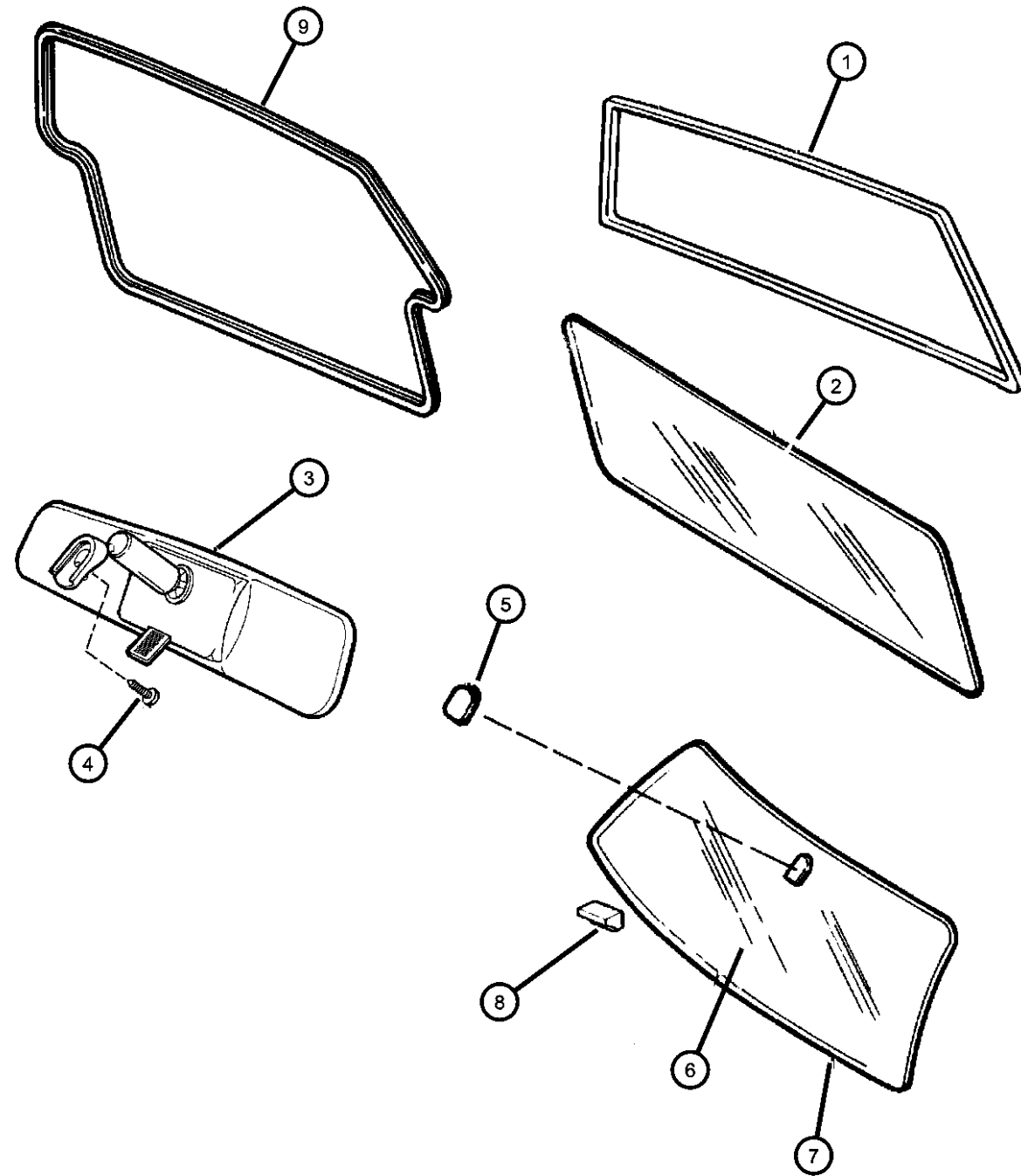
ENGINE
ENC = ENGINE - 2.5L 4 CYL TURBO DIESEL
EPE = ENGINE - 2.5L POWER TECH I-4 Cyl.
ERH = ENGINE - 4.0L POWER TECH I-6

TRANSMISSION
DDD = TRANSMISSION - 5-SPEED HD MANUAL
DDQ = TRANSMISSION - 5-SPEED MANUAL
DGD = TRANSMISSION - 3-SPD. AUTOMATIC,30RH
DGK = TRANSMISSION - 4-SPD. AUTOMATIC,42RE
DGS = TRANSMISSION-4SPD. AUTO,AISIN WARNER
DGT = TRANSMISSION - 4-SPD. AUTOMATIC,46RE
DGW = TRANSMISSION - 4-SPD. AUTOMATIC,44RE
DGX = TRANSMISSION - 4-SPEED AUTOMATIC
DBB = ALL MANUAL TRANSMISSIONS
DGO = ALL AUTOMATIC TRANSMISSIONS

AR = use ase required - = Non illustrated part

2000 XJ

**Glass, Windshield, Backlite and Mirror
Figure SXJ-710**



ITEM	PART NUMBER	QTY	LINE	SERIES	BODY	ENGINE	TRANS	TRIM	DESCRIPTION
1	55175366AD	1							MOLDING, Liftgate
2	55174950	1							BACKLITE Tinted
	DB09238GTN								Collision Replacement Glass
	55174951AB	1							Tint Heated
	DB09236GTN								Collision Replacement Glass
	55174952AC	1							Privacy Heated
	DB09427YPN								Collision Replacement Glass
3	04299325	1							MIRROR, Inside Rear View
4	06031094	1							SCREW, Pan Head Tapping, .19-16x.375
5	55076401	1							BUTTON, Rear View Mirror
6	55154994AB	1							WINDSHIELD
7	55235391AC	1							MOLDING, Windshield
8	55235796AA	2							SPACER, Windshield
9	55175354AE	1							WEATHERSEAL, Full Door To Body

CHEROKEE (XJ)

SERIES	LINE
H = Sport	T = JEEP - 2WD
L = SE	B = JEEP - 2WD (RHD)
P = Classic	J = JEEP - 4WD
S = Limited	U = JEEP - 4WD (RHD)

BODY
74 = 4 Dr (101.4WB)
72 = 2 Dr (101.4WB)

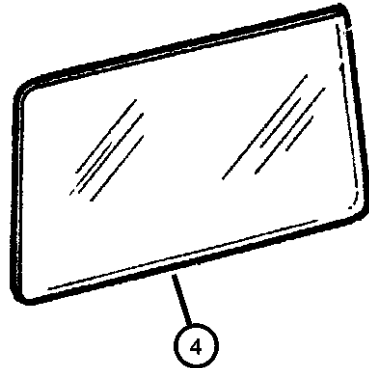
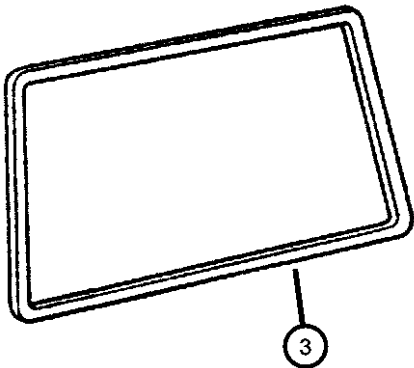
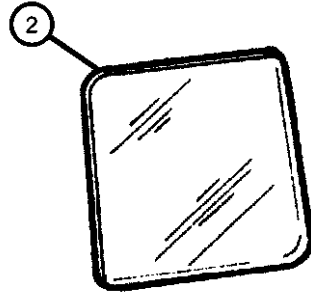
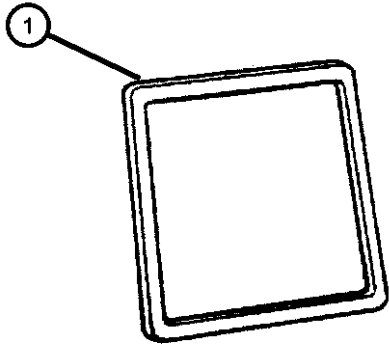
ENGINE
ENC = ENGINE - 2.5L 4 CYL TURBO DIESEL
EPE = ENGINE - 2.5L POWER TECH I-4 Cyl.
ERH = ENGINE - 4.0L POWER TECH I-6

TRANSMISSION
DDD = TRANSMISSION - 5-SPEED HD MANUAL
DDQ = TRANSMISSION - 5-SPEED MANUAL
DGD = TRANSMISSION - 3-SPD. AUTOMATIC,30RH
DGK = TRANSMISSION - 4-SPD. AUTOMATIC,42RE
DGS = TRANSMISSION-4SPD. AUTO,AISIN WARNER
DGT = TRANSMISSION - 4-SPD. AUTOMATIC,46RE
DGW = TRANSMISSION - 4-SPD. AUTOMATIC,44RE
DGX = TRANSMISSION - 4-SPEED AUTOMATIC
DBB = ALL MANUAL TRANSMISSIONS
DGO = ALL AUTOMATIC TRANSMISSIONS

AR = use ase required - = Non illustrated part

**Windows, Quarter, 2 and 4 Doors
Figure SXJ-720**

ITEM	PART NUMBER	QTY	LINE	SERIES	BODY	ENGINE	TRANS	TRIM	DESCRIPTION
1	55007128	1			74				SEAL, Quarter Window Right
	55007129	1			74				Left
2	55000700	1			74				GLASS, Quarter Window Tinted, Right
	DQ06607GTN								Collision Replacement Glass
	55000701	1			74				Tinted, Left
	DQ06608GTN								Collision Replacement Glass
	55174998AB	1			74				Privacy, Right
	DQ09425YPN								Collision Replacement Glass
3	55174999AB	1			74				Privacy, Left
	DQ09426YPN								Collision Replacement Glass
	55235296AB	1	J, T, U		72				SEAL, Quarter Window Right
4	55235297AB	1	J, T, U		72				Left
	55000186	1	J, T, U		72				GLASS, Quarter Window Without Vents, Right
3	DQ06595GTN								Collision Replacement Glass
	55000187	1	J, T, U		72				Without Vents, Left
	DQ06596GTN								Collision Replacement Glass
	55235990AA	1	J, T, U		72				Privacy, Right
	DQ09595YPN								Collision Replacement Glass
	55235991AA	1	J, T, U		72				Privacy, Left
4	DQ09596YPN								Collision Replacement Glass



CHEROKEE (XJ)

SERIES

H = Sport
L = SE
P = Classic
S = Limited

LINE

T = JEEP - 2WD
B = JEEP - 2WD (RHD)
J = JEEP - 4WD
U = JEEP - 4WD (RHD)

BODY

74 = 4 Dr (101.4WB)
72 = 2 Dr (101.4WB)

ENGINE

ENC = ENGINE - 2.5L 4 CYL
TURBO DIESEL
EPE = ENGINE - 2.5L POWER
TECH I-4 Cyl.
ERH = ENGINE - 4.0L
POWER TECH I-6

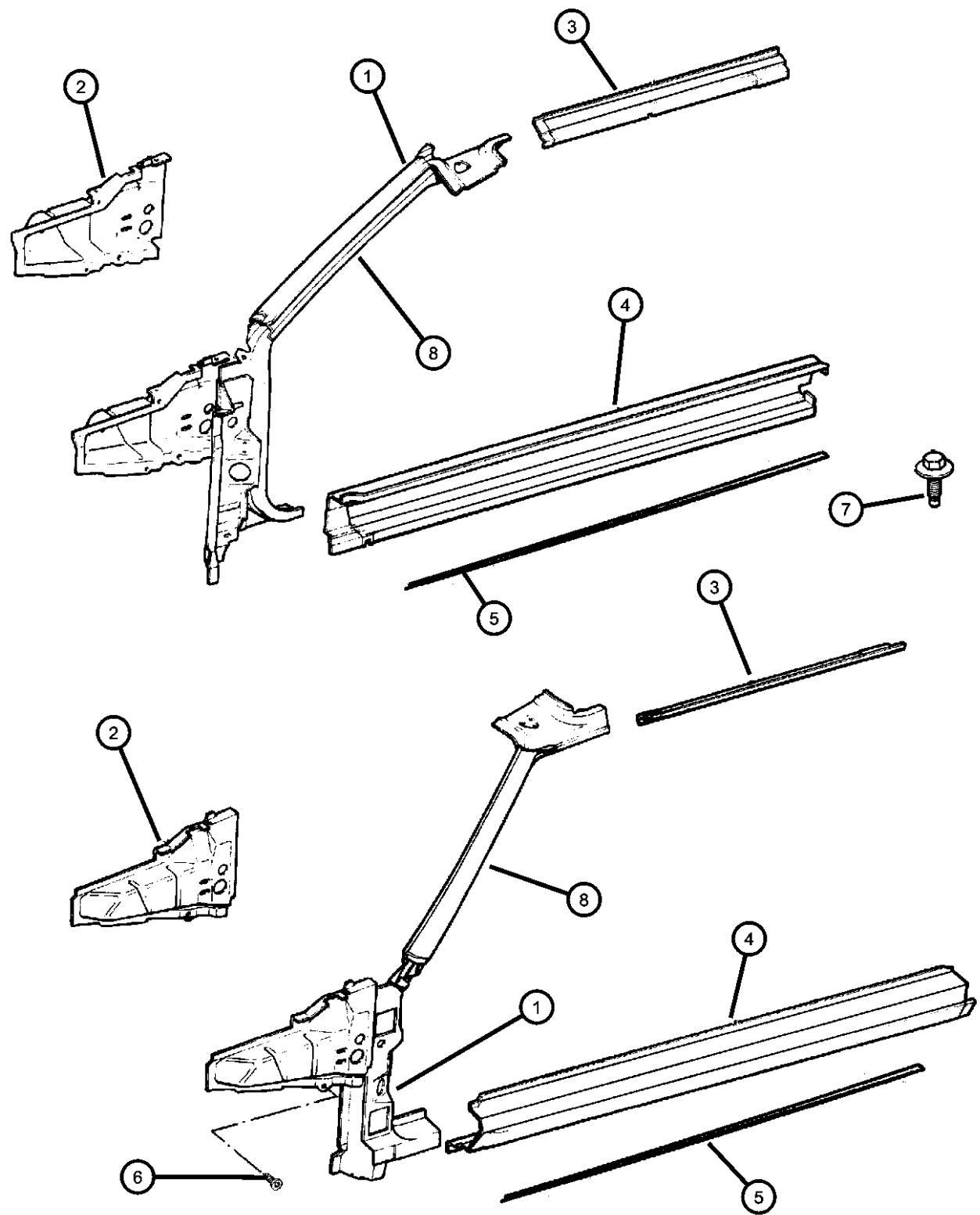
TRANSMISSION

DDD = TRANSMISSION - 5-SPEED
HD MANUAL
DDQ = TRANSMISSION - 5-SPEED
MANUAL
DGD = TRANSMISSION - 3-SPD.
AUTOMATIC,30RH
DGK = TRANSMISSION - 4-SPD.
AUTOMATIC,42RE
DGS = TRANSMISSION-4SPD.
AUTO,AISIN WARNER
DGT = TRANSMISSION - 4-SPD.
AUTOMATIC,46RE
DGW = TRANSMISSION - 4-SPD.
AUTOMATIC,44RE
DGX = TRANSMISSION - 4-SPEED
AUTOMATIC
DBB = ALL MANUAL
TRANSMISSIONS
DGO = ALL AUTOMATIC
TRANSMISSIONS

AR = use ase required - = Non illustrated part

2000 XJ

**Panels, Body side, 2 Door
Figure SXJ-810**



ITEM	PART NUMBER	QTY	LINE	SERIES	BODY	ENGINE	TRANS	TRIM	DESCRIPTION
1	55235620AC	1	J, T, U		72				PILLAR, Front Right
	55235621AC	1	J, T, U		72				Left
2	55175506AB	1	J, T, U		72				PANEL, Cowl Side Right
	55175507AB	1	J, T, U		72				Left
3	55345844	1	J, T, U		72				RAIL, Roof Side Right
	55345845	1	J, T, U		72				Left
4	55235088	1	J, T, U		72				PANEL, Rocker Extension Right
	55235089	1	J, T, U		72				Left
5	55235089	1							SEAL, Rocker Panel, (NOT REQUIRED)
6	55235089	1							RIVET, Blind Expansion (R-Lok), (NOT SERVICED)
7	06101455	2							SCREW AND WASHER, Hex Head, M6x1x20
8	55235640AB	1	J, T, U		72				REINFORCEMENT, Front Pillar Right
	55235641AB	1	J, T, U		72				Left
-9	55363274AA	1							LABEL, Mercury Warning, B Pillar Below The Striker

CHEROKEE (XJ)

SERIES	LINE
H = Sport	T = JEEP - 2WD
L = SE	B = JEEP - 2WD (RHD)
P = Classic	J = JEEP - 4WD
S = Limited	U = JEEP - 4WD (RHD)

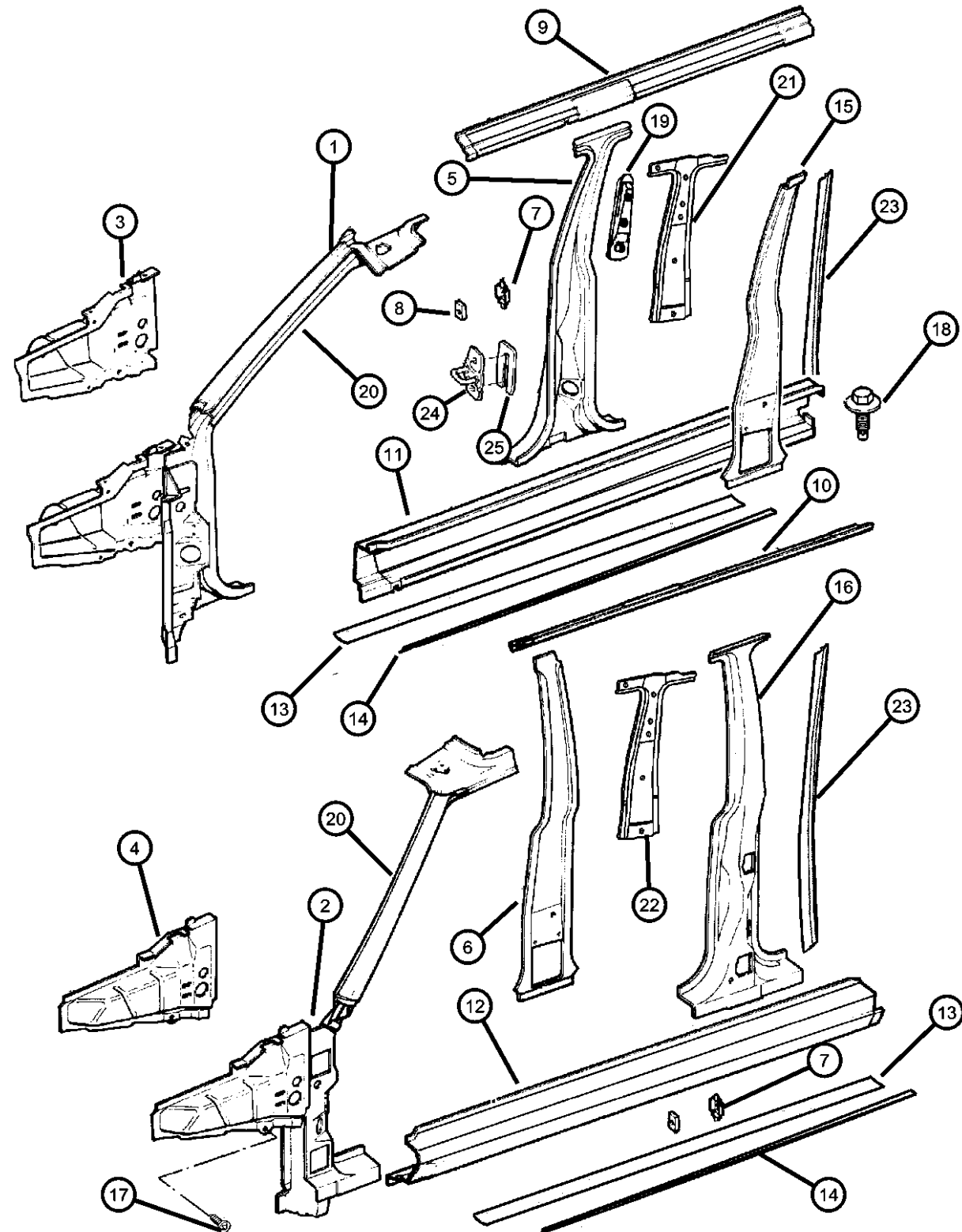
BODY
74 = 4 Dr (101.4WB)
72 = 2 Dr (101.4WB)

ENGINE
ENC = ENGINE - 2.5L 4 CYL TURBO DIESEL
EPE = ENGINE - 2.5L POWER TECH I-4 Cyl.
ERH = ENGINE - 4.0L POWER TECH I-6

TRANSMISSION
DDD = TRANSMISSION - 5-SPEED HD MANUAL
DDQ = TRANSMISSION - 5-SPEED MANUAL
DGD = TRANSMISSION - 3-SPD. AUTOMATIC,30RH
DGK = TRANSMISSION - 4-SPD. AUTOMATIC,42RE
DGS = TRANSMISSION-4SPD. AUTO,AISIN WARNER
DGT = TRANSMISSION - 4-SPD. AUTOMATIC,46RE
DGW = TRANSMISSION - 4-SPD. AUTOMATIC,44RE
DGX = TRANSMISSION - 4-SPEED AUTOMATIC
DBB = ALL MANUAL TRANSMISSIONS
DGO = ALL AUTOMATIC TRANSMISSIONS

AR = use ase required - = Non illustrated part

**Panels, Body Side, 4 Door
Figure SXJ-820**



ITEM	PART NUMBER	QTY	LINE	SERIES	BODY	ENGINE	TRANS	TRIM	DESCRIPTION
1	55235620AC	1			74				PILLAR, FrontRight
2	55235621AC	1			74				PILLAR, FrontLeft
3	55175506AB	1			74				PANEL, Cowl SideRight
4	55175507AB	1			74				PANEL, Cowl SideLeft
5	55235466	1			74				PILLAR, Center
6	55235695AB	1			74				REINFORCEMENT, Center Pillar
7	55256174	1			74				RETAINER, Door Lock Striker
8	04674669	2			74				PLATE, Liftgate Striker
9	55235328AB	1			74				RAIL, Roof SideRight
10	55235329AB	1			74				RAIL, Roof SideLeft
11	55235090	1			74				PANEL, Rocker ExtensionRight
12	55235091	1			74				PANEL, Rocker ExtensionLeft
13	55235091	1							TAPE, Anti Chip, (NOT REQUIRED)
14	55235091	1							SEAL, Rocker Panel, (NOT REQUIRED)
15	55235694AB	1			74				REINFORCEMENT, Center PillarRight
16	55235467	1			74				PILLAR, Center
17	55235467	1							RIVET, Blind Expansion (R-Lok), (NOT SERVICED)
18	06101455	4							SCREW AND WASHER, Hex Head, M6x1x20
19	55235692	1			74				TAPPING PLATE, Shoulder Belt
20									REINFORCEMENT, Front Pillar
	55235640AB	1			74				Right
	55235641AB	1			74				Left
21	55235288AB	1			74				REINFORCEMENT, Seat BeltRight

CHEROKEE (XJ)

SERIES	LINE
H = Sport	T = JEEP - 2WD
L = SE	B = JEEP - 2WD (RHD)
P = Classic	J = JEEP - 4WD
S = Limited	U = JEEP - 4WD (RHD)

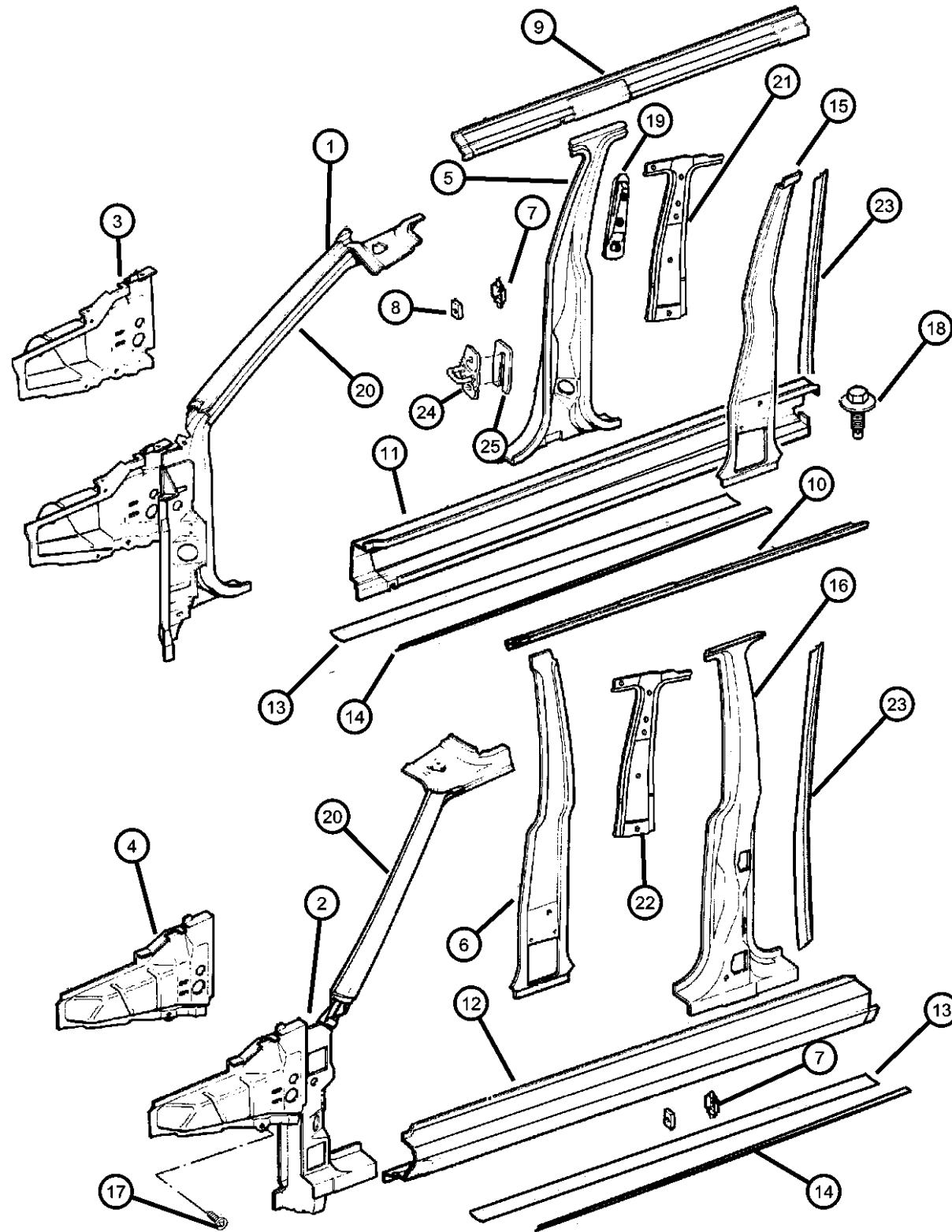
BODY
74 = 4 Dr (101.4WB)
72 = 2 Dr (101.4WB)

ENGINE	TRANSMISSION
ENC = ENGINE - 2.5L 4 CYL TURBO DIESEL	DDD = TRANSMISSION - 5-SPEED HD MANUAL
EPE = ENGINE - 2.5L POWER TECH I-4 Cyl.	DDQ = TRANSMISSION - 5-SPEED MANUAL
ERH = ENGINE - 4.0L POWER TECH I-6	DGD = TRANSMISSION - 3-SPD. AUTOMATIC,30RH
	DGK = TRANSMISSION - 4-SPD. AUTOMATIC,42RE
	DGS = TRANSMISSION-4SPD. AUTO,AISIN WARNER
	DGT = TRANSMISSION - 4-SPD. AUTOMATIC,46RE
	DGW = TRANSMISSION - 4-SPD. AUTOMATIC,44RE
	DGX = TRANSMISSION - 4-SPEED AUTOMATIC
	DBB = ALL MANUAL TRANSMISSIONS
	DGO = ALL AUTOMATIC TRANSMISSIONS

AR = use ase required - = Non illustrated part

2000 XJ

**Panels, Body Side, 4 Door
Figure SXJ-820**



ITEM	PART NUMBER	QTY	LINE	SERIES	BODY	ENGINE	TRANS	TRIM	DESCRIPTION
22	55235289AB	1			74				REINFORCEMENT, Seat BeltLeft
23	55235791AB	2			74				WEATHERSTRIP, B Pillar Secondary
24	04520288	2			74				STRIKER, Door Latch
25	04520289	AR							SPACER, Door Latch Striker
	55075483	AR			74				2.0/2.5 Thick
-26	55363274AA	1							LABEL, Mercury Warning, B Pillar Below The Striker

CHEROKEE (XJ)

SERIES	LINE
H = Sport	T = JEEP - 2WD
L = SE	B = JEEP - 2WD (RHD)
P = Classic	J = JEEP - 4WD
S = Limited	U = JEEP - 4WD (RHD)

BODY
74 = 4 Dr (101.4WB)
72 = 2 Dr (101.4WB)

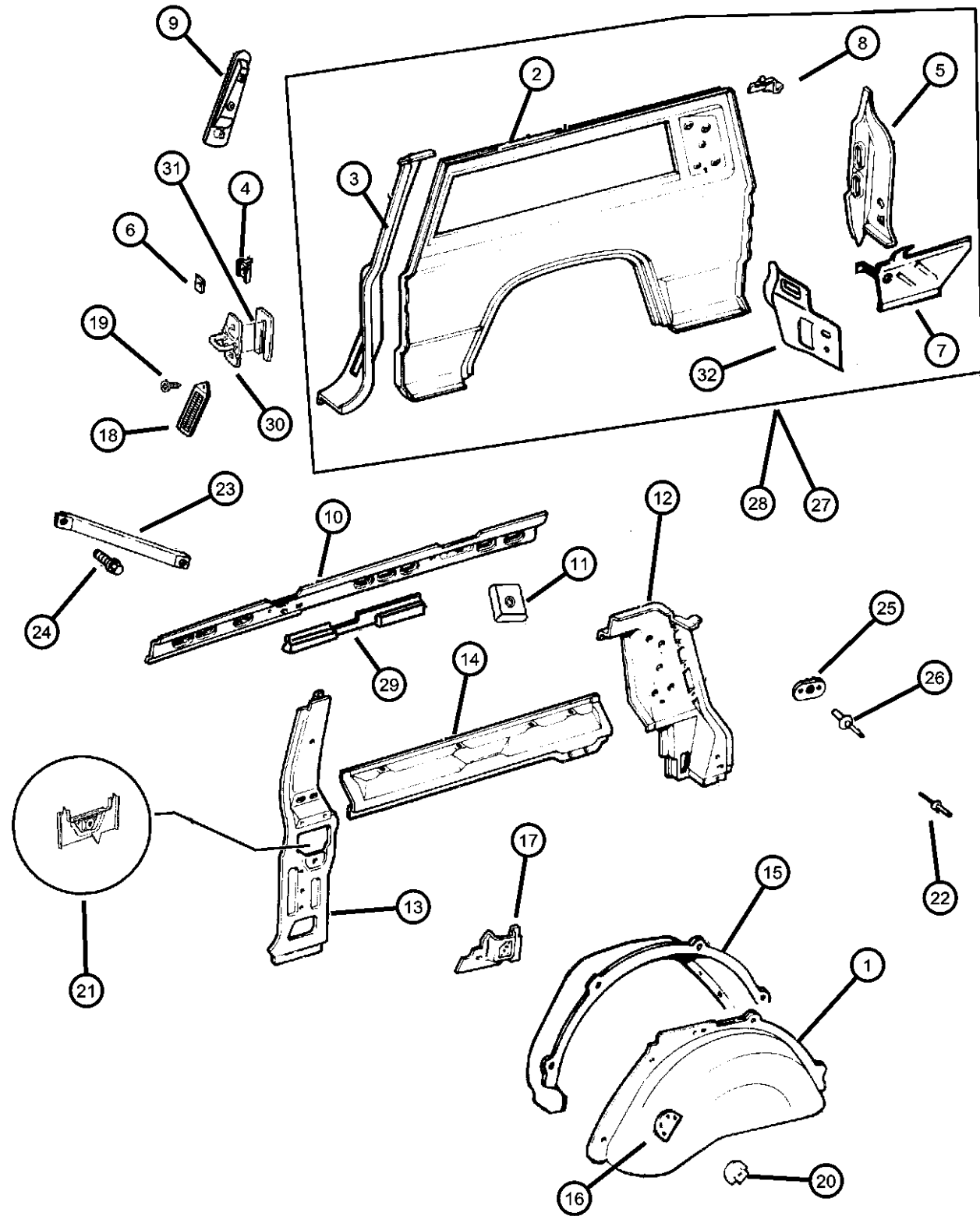
ENGINE
ENC = ENGINE - 2.5L 4 CYL TURBO DIESEL
EPE = ENGINE - 2.5L POWER TECH I-4 Cyl.
ERH = ENGINE - 4.0L POWER TECH I-6

TRANSMISSION
DDD = TRANSMISSION - 5-SPEED HD MANUAL
DDQ = TRANSMISSION - 5-SPEED MANUAL
DGD = TRANSMISSION - 3-SPD. AUTOMATIC,30RH
DGK = TRANSMISSION - 4-SPD. AUTOMATIC,42RE
DGS = TRANSMISSION-4SPD. AUTO,AISIN WARNER
DGT = TRANSMISSION - 4-SPD. AUTOMATIC,46RE
DGW = TRANSMISSION - 4-SPD. AUTOMATIC,44RE
DGX = TRANSMISSION - 4-SPEED AUTOMATIC
DBB = ALL MANUAL TRANSMISSIONS
DGO = ALL AUTOMATIC TRANSMISSIONS

AR = use ase required - = Non illustrated part

2000 XJ

**Panels, Rear Quarter, 2 Door
Figure SXJ-910**



ITEM	PART NUMBER	QTY	LINE	SERIES	BODY	ENGINE	TRANS	TRIM	DESCRIPTION
1	55000147	1	J, T, U		72				WHEELHOUSE, Rear Inner Left
	55027694	1	J, T, U		72				Right
2	55235426	1	J, T, U		72				PANEL, Quarter Right
	55235427	1	J, T, U		72				Left
3	55175674	1	J, T, U		72				PILLAR, Rear Cargo Door Lock Right
	55175675	1	J, T, U		72				Left
4	04674669	1	J, T, U		72				PLATE, Liftgate Striker
5	55235510	1	J, T, U		72				PANEL, Taillamp Mounting Right
	55235511	1	J, T, U		72				Left
6	04520288	2							STRIKER, Door Latch
7	55175960	1	J, T, U		72				EXTENSION, Rear Floor Pan Right
	55175961	1	J, T, U		72				Left
8	55176082	1	J, T, U		72				EXTENSION, Quarter Panel Right
	55176083	1	J, T, U		72				Left
9	55235692	1	J, T, U		72				TAPPING PLATE, Shoulder Belt
10	55235846AA	1	J, T, U		72				RAIL, Roof Side Right
	55235847AA	1	J, T, U		72				Left
11	04490111	1	J, T, U		72				TAPPING PLATE

CHEROKEE (XJ)

SERIES LINE
H = Sport T = JEEP - 2WD
L = SE B = JEEP - 2WD (RHD)
P = Classic J = JEEP - 4WD
S = Limited U = JEEP - 4WD (RHD)

BODY
74 = 4 Dr (101.4WB)
72 = 2 Dr (101.4WB)

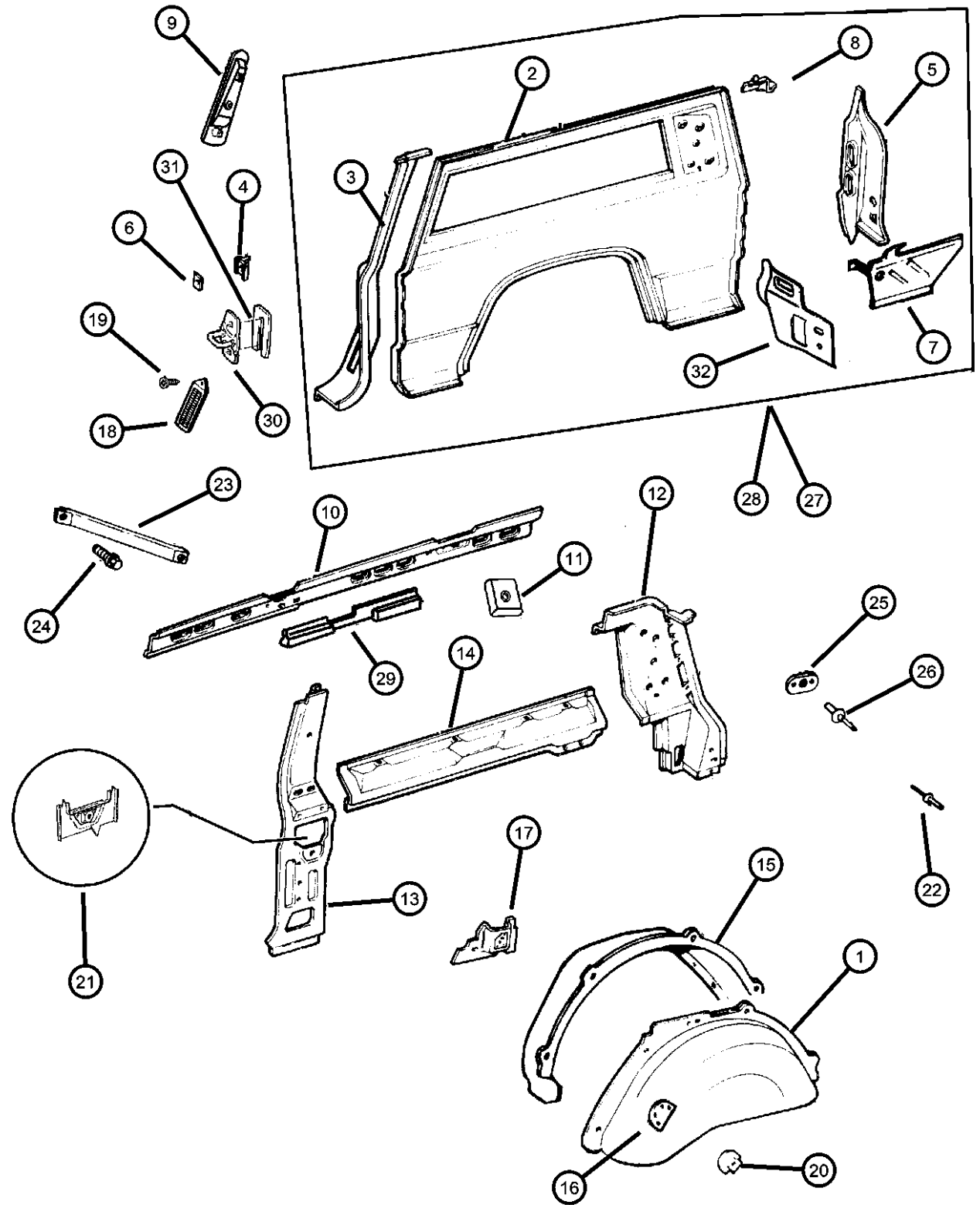
ENGINE
ENC = ENGINE - 2.5L 4 CYL
TURBO DIESEL
EPE = ENGINE - 2.5L POWER
TECH I-4 Cyl.
ERH = ENGINE - 4.0L
POWER TECH I-6

TRANSMISSION
DDD = TRANSMISSION - 5-SPEED
HD MANUAL
DDQ = TRANSMISSION - 5-SPEED
MANUAL
DGD = TRANSMISSION - 3-SPD.
AUTOMATIC,30RH
DGK = TRANSMISSION - 4-SPD.
AUTOMATIC,42RE
DGS = TRANSMISSION-4SPD.
AUTO,AISIN WARNER
DGT = TRANSMISSION - 4-SPD.
AUTOMATIC,46RE
DGW = TRANSMISSION - 4-SPD.
AUTOMATIC,44RE
DGX = TRANSMISSION - 4-SPEED
AUTOMATIC
DBB = ALL MANUAL
TRANSMISSIONS
DGO = ALL AUTOMATIC
TRANSMISSIONS

AR = use ase required - = Non illustrated part

2000 XJ

**Panels, Rear Quarter, 2 Door
Figure SXJ-910**



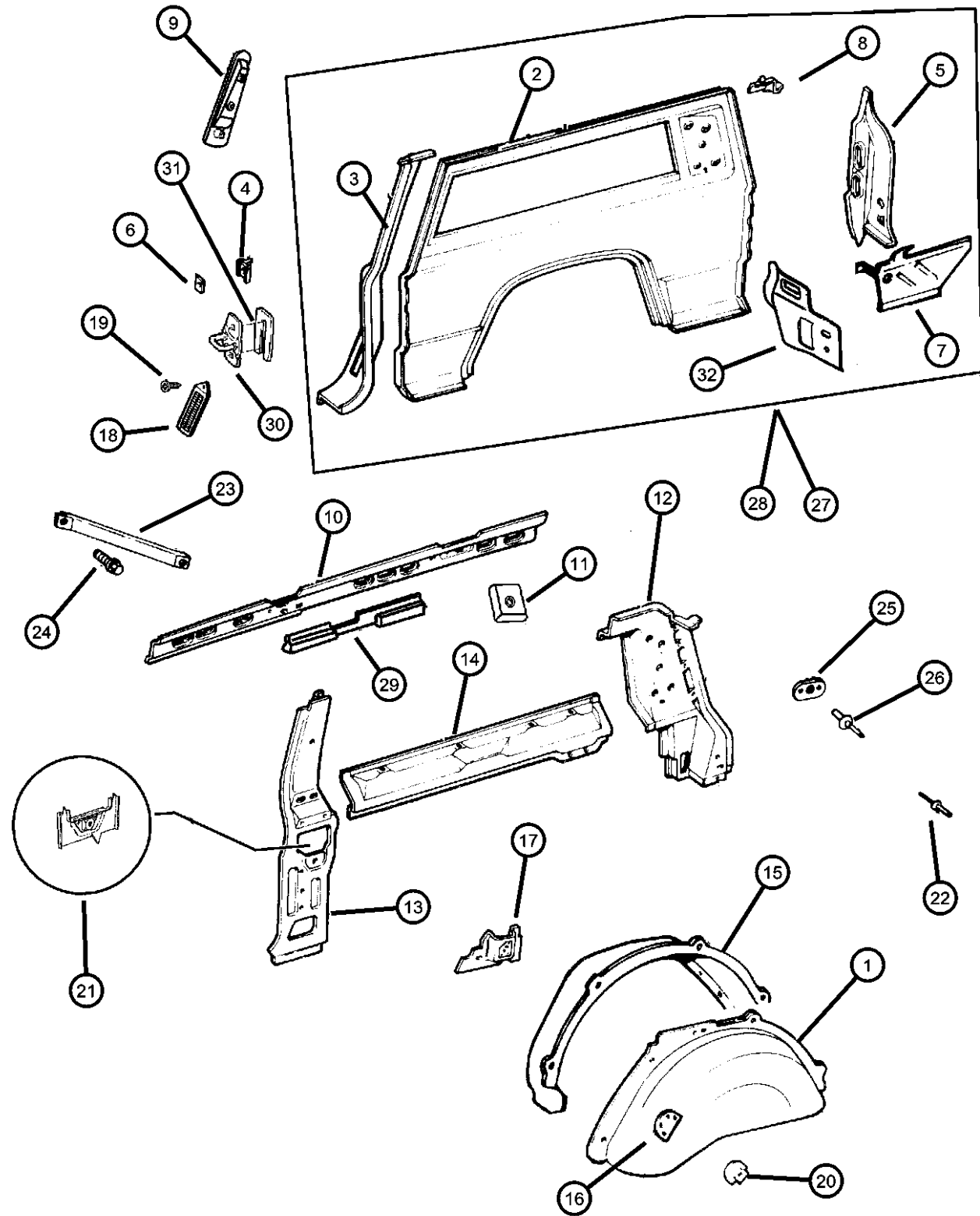
ITEM	PART NUMBER	QTY	LINE	SERIES	BODY	ENGINE	TRANS	TRIM	DESCRIPTION
12	55176094	1	J, T, U		72				PILLAR, Liftgate Opening Right
	55176095	1	J, T, U		72				Left
13	55345808AB	1	J, T, U		72				REINFORCEMENT, Body Lock Pillar Right
	55345809AB	1	J, T, U		72				Left
14	55235382AB	1	J, T, U		72				RAIL, Rear Quarter Belt Right
	55344583AB	1	J, T, U		72				Left
15	55235346	1	J, T, U		72				WHEELHOUSE, Rear Outer Right
	55235347	1	J, T, U		72				Left
16	55026758	1	J, T, U		72				DOUBLER, Wheelhouse
17	55001270	1	J, T, U		72				BRACKET, Seat Right
	55001271	1	J, T, U		72				Left
18	55001980	2							EXHAUSTER, Quarter Panel
19	55001980	2							SCREW, .164-18x.437, (NOT SERVICED)
20	55001231	1	J, T, U		72				BRACKET, Seat
21	55345291	1	J, T, U		72				BRACKET, Seat Belt Retractor
22	55345291	1							RIVET, M4x12 Aluminum, (NOT REQUIRED)
23	55006218	2	J, T, U		72				BRACE, Door Lock
24	34202036	4	J, T, U		72				SCREW, Hex Head, M8x1.25x25

CHEROKEE (XJ)

SERIES	LINE	BODY	ENGINE	TRANSMISSION
H = Sport	T = JEEP - 2WD	74 = 4 Dr (101.4WB)	ENC = ENGINE - 2.5L 4 CYL TURBO DIESEL	DDD = TRANSMISSION - 5-SPEED HD MANUAL
L = SE	B = JEEP - 2WD (RHD)	72 = 2 Dr (101.4WB)	EPE = ENGINE - 2.5L POWER TECH I-4 Cyl.	DDQ = TRANSMISSION - 5-SPEED MANUAL
P = Classic	J = JEEP - 4WD		ERH = ENGINE - 4.0L POWER TECH I-6	DGD = TRANSMISSION - 3-SPD. AUTOMATIC,30RH
S = Limited	U = JEEP - 4WD (RHD)			DGK = TRANSMISSION - 4-SPD. AUTOMATIC,42RE
				DGS = TRANSMISSION-4SPD. AUTO,AISIN WARNER
				DGT = TRANSMISSION - 4-SPD. AUTOMATIC,46RE
				DGW = TRANSMISSION - 4-SPD. AUTOMATIC,44RE
				DGX = TRANSMISSION - 4-SPEED AUTOMATIC
				DBB = ALL MANUAL TRANSMISSIONS
				DGO = ALL AUTOMATIC TRANSMISSIONS

AR = use ase required - = Non illustrated part

**Panels, Rear Quarter, 2 Door
Figure SXJ-910**



ITEM	PART NUMBER	QTY	LINE	SERIES	BODY	ENGINE	TRANS	TRIM	DESCRIPTION
25	04490111	1	J, T, U		72				TAPPING PLATE
26	34201197	2							RIVET, Blind, M3.17x10.00
27	55235606	1	J, T, U		72				PANEL, Rear BodyRight
28	55235607	1	J, T, U		72				PANEL, Body SideLeft
29	55006988AC	2	J, T, U		72				REINFORCEMENT
30	04520288	2							STRIKER, Door Latch
31									SPACER, Door Latch Striker
	04520289	AR							
	55075483	AR							2.0/2.5 Thick
32									REINFORCEMENT, Rear Corner Panel
	55235600	1	J, T, U		72				Right
	55235601	1	J, T, U		72				Left

CHEROKEE (XJ)

SERIES LINE
H = Sport T = JEEP - 2WD
L = SE B = JEEP - 2WD (RHD)
P = Classic J = JEEP - 4WD
S = Limited U = JEEP - 4WD (RHD)

BODY
74 = 4 Dr (101.4WB)
72 = 2 Dr (101.4WB)

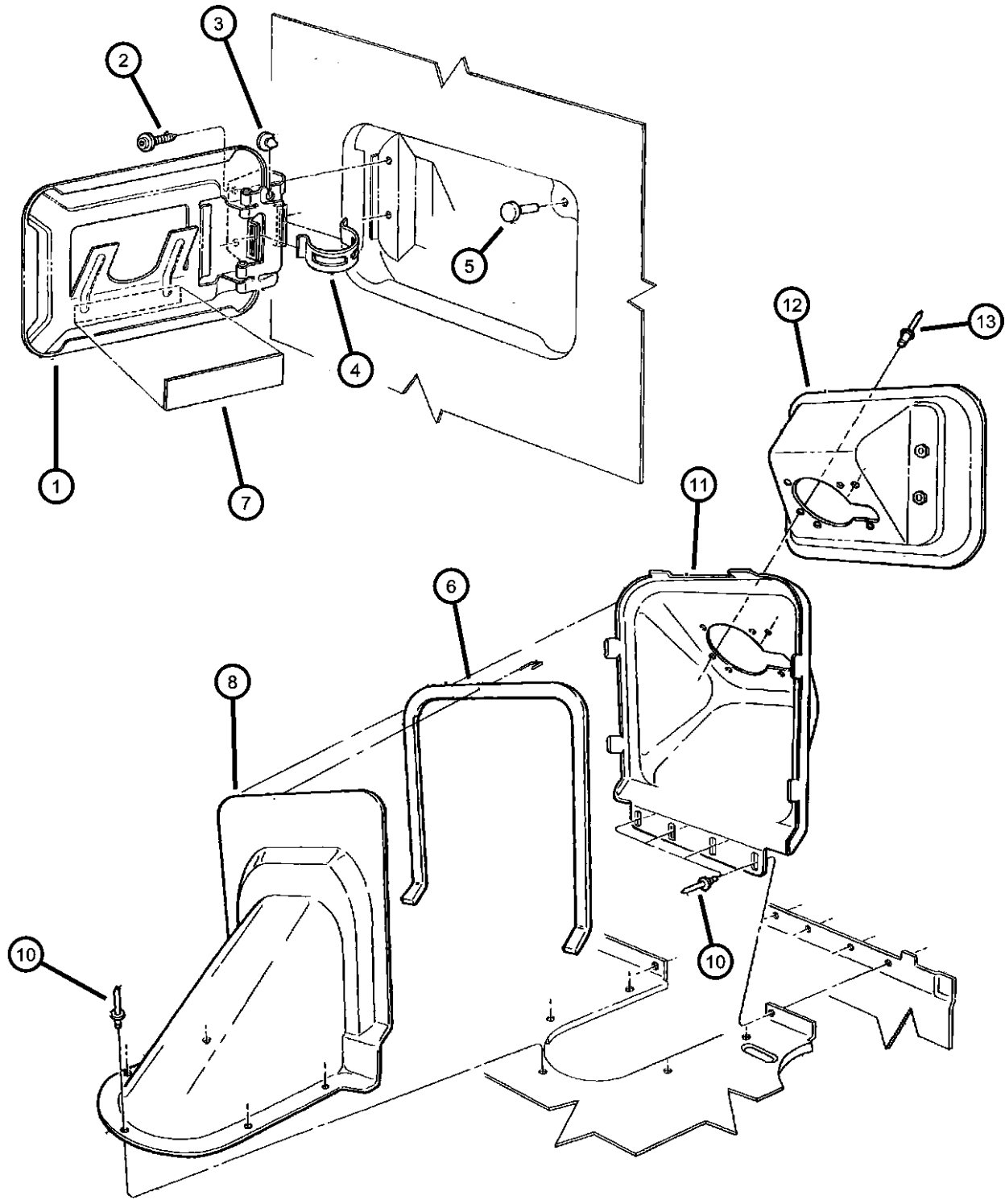
ENGINE
ENC = ENGINE - 2.5L 4 CYL TURBO DIESEL
EPE = ENGINE - 2.5L POWER TECH I-4 Cyl.
ERH = ENGINE - 4.0L POWER TECH I-6

TRANSMISSION
DDD = TRANSMISSION - 5-SPEED HD MANUAL
DDQ = TRANSMISSION - 5-SPEED MANUAL
DGD = TRANSMISSION - 3-SPD. AUTOMATIC,30RH
DGK = TRANSMISSION - 4-SPD. AUTOMATIC,42RE
DGS = TRANSMISSION-4SPD. AUTO,AISIN WARNER
DGT = TRANSMISSION - 4-SPD. AUTOMATIC,46RE
DGW = TRANSMISSION - 4-SPD. AUTOMATIC,44RE
DGX = TRANSMISSION - 4-SPEED AUTOMATIC
DBB = ALL MANUAL TRANSMISSIONS
DGO = ALL AUTOMATIC TRANSMISSIONS

AR = use ase required - = Non illustrated part

2000 XJ

Fuel Filler Housing & Door
Figure SXJ-920



ITEM	PART NUMBER	QTY	LINE	SERIES	BODY	ENGINE	TRANS	TRIM	DESCRIPTION
1	55000819AD	1							DOOR, Fuel Fill
2	34201661	2							SCREW AND WASHER, Button Head
3	55235953AA	1							BUMPER, Fuel Door
4	55004206	1							SPRING, Fuel Filler Door
5	55235953AA	1							BUMPER, Fuel Door
6	55345178	1							SEAL, Fuel Filler Flange
7	J5464900	1							LABEL, Fuel
8	55345623	1							HOUSING, Fuel Filler
-9	55345178	1							SEAL, Fuel Filler Flange
10	34201208	5							RIVET, M4.8x13.23
11	55235533AC	1							EXTENSION, Fuel Filler Housing
12									HOUSING, Fuel Filler
	52100230AC	1	J, T, U						72
		1							74
13	34201684	2							RIVET, M3.18x2.37

CHEROKEE (XJ)
 SERIES LINE
 H = Sport T = JEEP - 2WD
 L = SE B = JEEP - 2WD (RHD)
 P = Classic J = JEEP - 4WD
 S = Limited U = JEEP - 4WD (RHD)

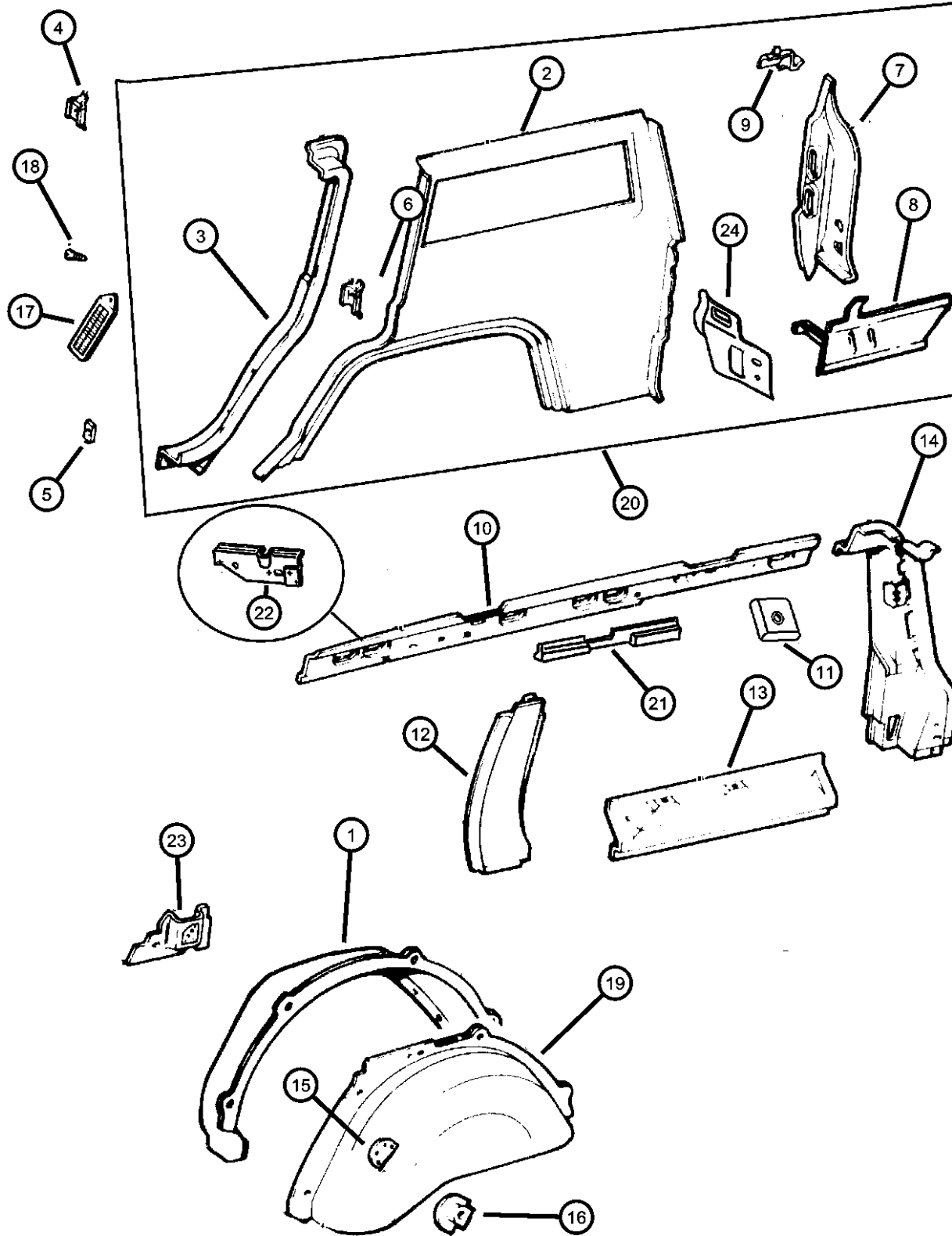
BODY
 74 = 4 Dr (101.4WB)
 72 = 2 Dr (101.4WB)

ENGINE
 ENC = ENGINE - 2.5L 4 CYL TURBO DIESEL
 EPE = ENGINE - 2.5L POWER TECH I-4 Cyl.
 ERH = ENGINE - 4.0L POWER TECH I-6

TRANSMISSION
 DDD = TRANSMISSION - 5-SPEED HD MANUAL
 DDQ = TRANSMISSION - 5-SPEED MANUAL
 DGD = TRANSMISSION - 3-SPD. AUTOMATIC,30RH
 DGK = TRANSMISSION - 4-SPD. AUTOMATIC,42RE
 DGS = TRANSMISSION-4SPD. AUTO,AISIN WARNER
 DGT = TRANSMISSION - 4-SPD. AUTOMATIC,46RE
 DGW = TRANSMISSION - 4-SPD. AUTOMATIC,44RE
 DGX = TRANSMISSION - 4-SPEED AUTOMATIC
 DBB = ALL MANUAL TRANSMISSIONS
 DGO = ALL AUTOMATIC TRANSMISSIONS

AR = use ase required - = Non illustrated part

Panels, Rear Quarter, 4 Door
Figure SXJ-930



ITEM	PART NUMBER	QTY	LINE	SERIES	BODY	ENGINE	TRANS	TRIM	DESCRIPTION
1	55235346	1			74				WHEELHOUSE, Rear Outer Right
	55235347	1			74				Left
2	55235424	1			74				PANEL, Quarter Right
	55235425	1			74				Left
3	55175672	1			74				PILLAR, Front Door Lock Right
	55175673	1			74				Left
4	04674669	2			74				PLATE, Liftgate Striker
5	04520288	2							STRIKER, Door Latch
6	55256174	1			74				RETAINER, Door Lock Striker
7	55235510	1			74				PANEL, Taillamp Mounting Right
	55235511	1			74				Left
8	55175960	1			74				EXTENSION, Rear Floor Pan Right
	55175961	1			74				Left
9	55176084	1			74				EXTENSION, Quarter Panel Right
10	55235332AB	1			74				RAIL, Roof Side Right
	55235333AB	1			74				Left
11	04490111	1			74				TAPPING PLATE
12	55235792AA	1			74				REINFORCEMENT, Body Lock Pillar Right

CHEROKEE (XJ)

SERIES LINE
H = Sport T = JEEP - 2WD
L = SE B = JEEP - 2WD (RHD)
P = Classic J = JEEP - 4WD
S = Limited U = JEEP - 4WD (RHD)

BODY
74 = 4 Dr (101.4WB)
72 = 2 Dr (101.4WB)

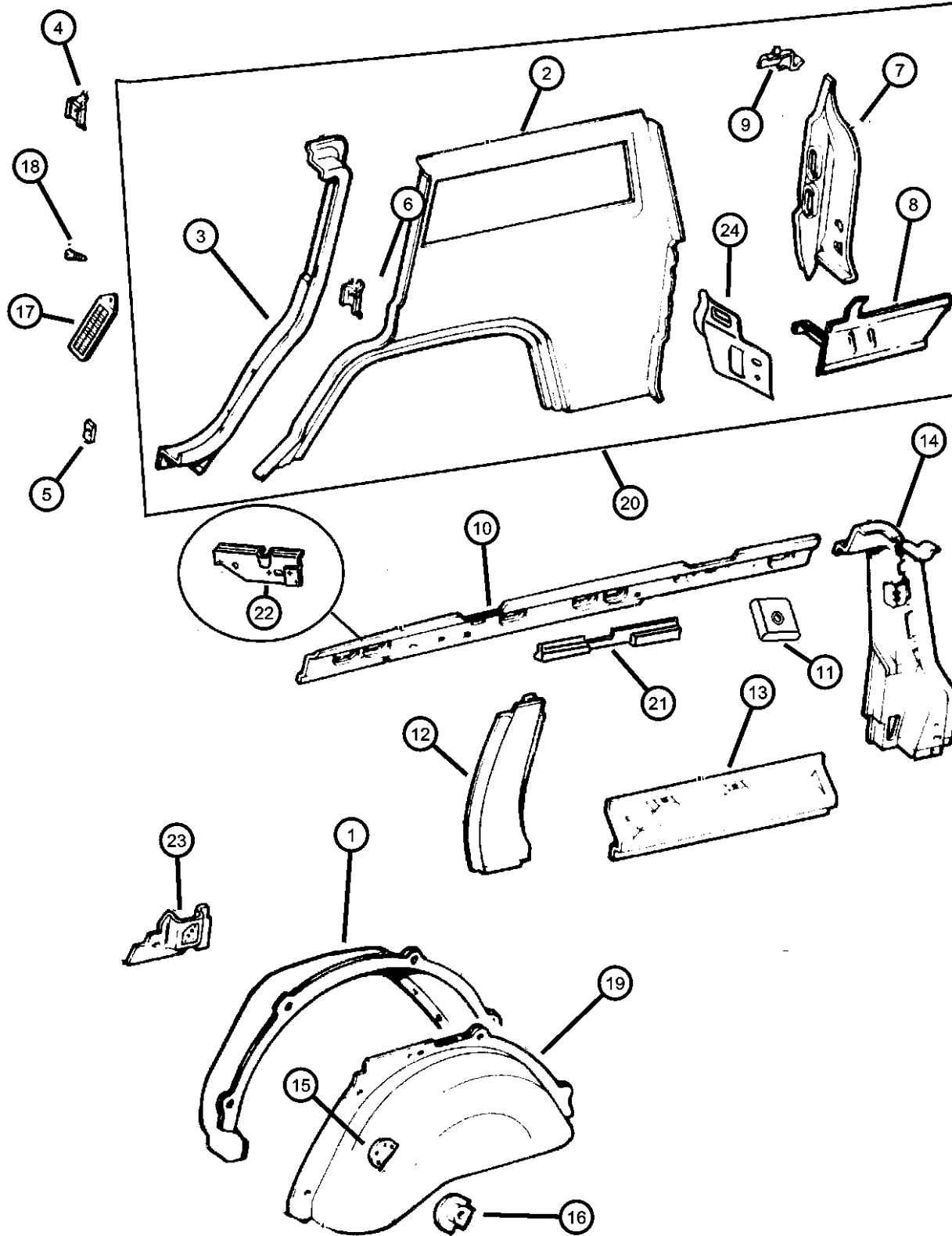
ENGINE
ENC = ENGINE - 2.5L 4 CYL
TURBO DIESEL
EPE = ENGINE - 2.5L POWER
TECH I-4 Cyl.
ERH = ENGINE - 4.0L
POWER TECH I-6

TRANSMISSION
DDD = TRANSMISSION - 5-SPEED
HD MANUAL
DDQ = TRANSMISSION - 5-SPEED
MANUAL
DGD = TRANSMISSION - 3-SPD.
AUTOMATIC,30RH
DGK = TRANSMISSION - 4-SPD.
AUTOMATIC,42RE
DGS = TRANSMISSION-4SPD.
AUTO,AISIN WARNER
DGT = TRANSMISSION - 4-SPD.
AUTOMATIC,46RE
DGW = TRANSMISSION - 4-SPD.
AUTOMATIC,44RE
DGX = TRANSMISSION - 4-SPEED
AUTOMATIC
DBB = ALL MANUAL
TRANSMISSIONS
DGO = ALL AUTOMATIC
TRANSMISSIONS

AR = use ase required - = Non illustrated part

2000 XJ

Panels, Rear Quarter, 4 Door
Figure SXJ-930



ITEM	PART NUMBER	QTY	LINE	SERIES	BODY	ENGINE	TRANS	TRIM	DESCRIPTION
	55235793AA	1			74				Left
13	55235794AA	1			74				RAIL, Rear Quarter Belt
	55235795AA	1			74				Right
14	55176096	1			74				Left
	55176097	1			74				PILLAR, Liftgate Opening
15	55026758	1			74				Right
16	55001231	1			74				Left
17	55001980	2							DOUBLER, Wheelhouse
18	55001980	2							BRACKET, Seat
19	55000147	1			74				EXHAUSTER, Quarter Panel
	55027694	1			74				SCREW, .164-18x.437, (NOT SERVICED)
20	55235604	1			74				WHEELHOUSE, Rear Inner
	55235605	1			74				Left
21	55006988AC	2			74				PANEL, Quarter
22	55235602	1			74				Right
	55235603	1			74				Left
23	55001270	1			74				REINFORCEMENT
	55001271	1			74				REINFORCEMENT
									Right
									Left
									BRACKET, Seat
									Right
									Left

CHEROKEE (XJ)

SERIES

H = Sport
L = SE
P = Classic
S = Limited

LINE

T = JEEP - 2WD
B = JEEP - 2WD (RHD)
J = JEEP - 4WD
U = JEEP - 4WD (RHD)

BODY

74 = 4 Dr (101.4WB)
72 = 2 Dr (101.4WB)

ENGINE

ENC = ENGINE - 2.5L 4 CYL
TURBO DIESEL
EPE = ENGINE - 2.5L POWER
TECH I-4 Cyl.
ERH = ENGINE - 4.0L
POWER TECH I-6

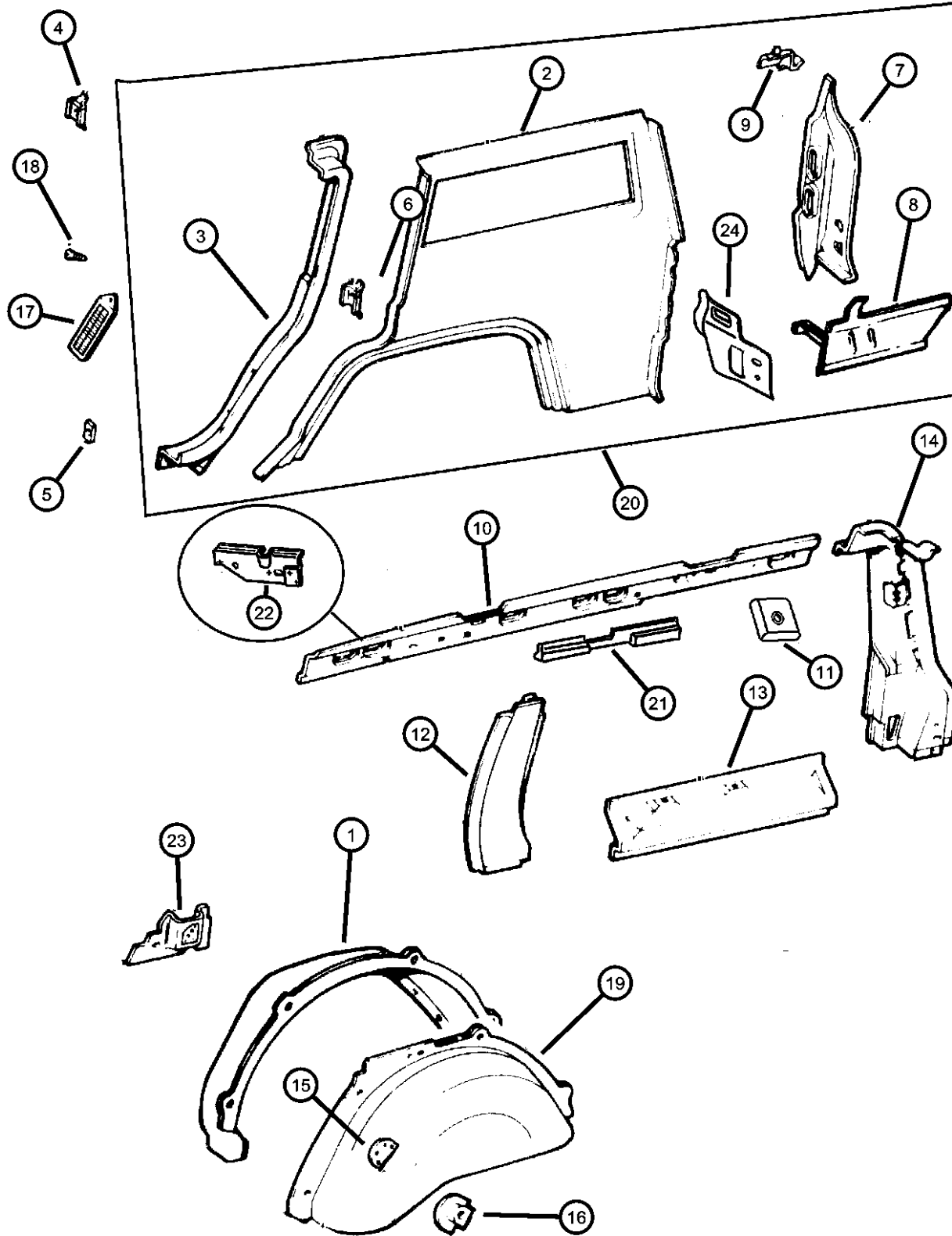
TRANSMISSION

DDD = TRANSMISSION - 5-SPEED
HD MANUAL
DDQ = TRANSMISSION - 5-SPEED
MANUAL
DGD = TRANSMISSION - 3-SPD.
AUTOMATIC,30RH
DGK = TRANSMISSION - 4-SPD.
AUTOMATIC,42RE
DGS = TRANSMISSION-4SPD.
AUTO,AISIN WARNER
DGT = TRANSMISSION - 4-SPD.
AUTOMATIC,46RE
DGW = TRANSMISSION - 4-SPD.
AUTOMATIC,44RE
DGX = TRANSMISSION - 4-SPEED
AUTOMATIC
DBB = ALL MANUAL
TRANSMISSIONS
DGO = ALL AUTOMATIC
TRANSMISSIONS

AR = use ase required - = Non illustrated part

2000 XJ

Panels, Rear Quarter, 4 Door
Figure SXJ-930



ITEM	PART NUMBER	QTY	LINE	SERIES	BODY	ENGINE	TRANS	TRIM	DESCRIPTION
24									REINFORCEMENT, Rear Corner Panel
	55235600	1			74				Right
	55235601	1			74				Left

CHEROKEE (XJ)

SERIES LINE
H = Sport T = JEEP - 2WD
L = SE B = JEEP - 2WD (RHD)
P = Classic J = JEEP - 4WD
S = Limited U = JEEP - 4WD (RHD)

BODY
74 = 4 Dr (101.4WB)
72 = 2 Dr (101.4WB)

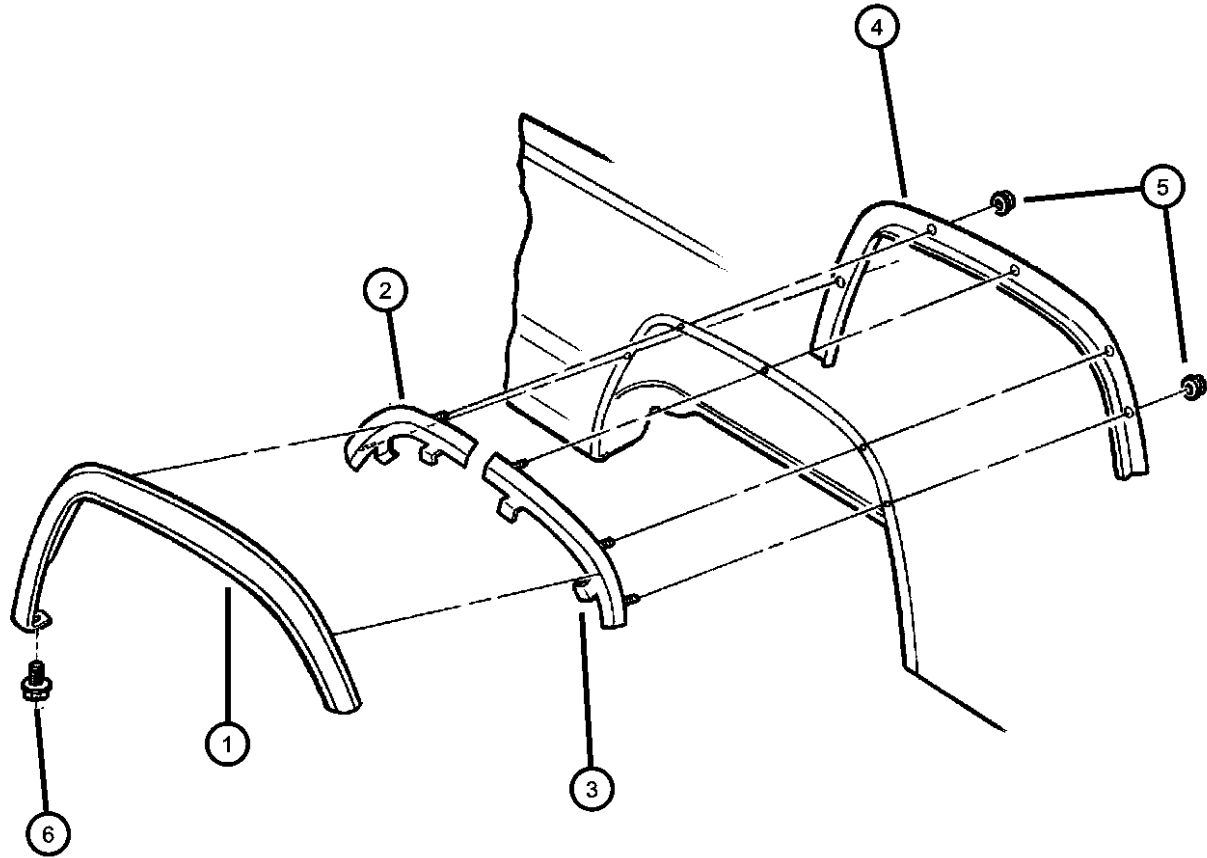
ENGINE
ENC = ENGINE - 2.5L 4 CYL TURBO DIESEL
EPE = ENGINE - 2.5L POWER TECH I-4 Cyl.
ERH = ENGINE - 4.0L POWER TECH I-6

TRANSMISSION
DDD = TRANSMISSION - 5-SPEED HD MANUAL
DDQ = TRANSMISSION - 5-SPEED MANUAL
DGD = TRANSMISSION - 3-SPD. AUTOMATIC,30RH
DGK = TRANSMISSION - 4-SPD. AUTOMATIC,42RE
DGS = TRANSMISSION-4SPD. AUTO,AISIN WARNER
DGT = TRANSMISSION - 4-SPD. AUTOMATIC,46RE
DGW = TRANSMISSION - 4-SPD. AUTOMATIC,44RE
DGX = TRANSMISSION - 4-SPEED AUTOMATIC
DBB = ALL MANUAL TRANSMISSIONS
DGO = ALL AUTOMATIC TRANSMISSIONS

AR = use ase required - = Non illustrated part

2000 XJ

**Appliques, Rear Quarter Panel
Figure SXJ-940**



ITEM	PART NUMBER	QTY	LINE	SERIES	BODY	ENGINE	TRANS	TRIM	DESCRIPTION
1									APPLIQUE, Fender Wheel Opening
	5FW74DX8AC	1							Glossy Black, [K3X], Right
	5FW74PR4AC	1							Flame Red, [K3R], Right
	5FW74RJPAC	1							Medium Fern Green, [K3M], Right
	5FW74SG8AC	1							Forest Green, [K3G], Right
	5FW74SW1AC	1							Stone White, [K3N], Right
	5FW74WB-TAC	1							Patroit Blue, [K3B], Right
	5FW74WT-DAC	1							Dessert Sand, [K3S], Right
	5FW74WU7AC	1							Sienna, [K3U], Right
	5FW74XS5AC	1							Silvertone, [K3L], Right
	5FW75DX8AC	1							Glossy Black, [K3X], Left
	5FW75PR4AC	1							Flame Red, [K3R], Left
	5FW75RJPAC	1							Medium Fern Green, [K3M], Left
	5FW75SG8AC	1							Forest Green, [K3G], Left
	5FW75SW1AC	1							Stone White, [K3N], Left
	5FW75WB-TAC	1							Patroit Blue, [K3B], Left
	5FW75WT-DAC	1							Dessert Sand, [K3S], Left
	5FW75WU7AC	1							Sienna, [K3U], Left
	5FW75XS5AC	1							Silvertone, [K3L], Left
	5FW76DX9AC	1							Flat Black, [K3Z], Right
	5FW77DX9AC	1							Flat Black, [K3Z], Left
2									RETAINER, Applique
	55155678AC	1							Right

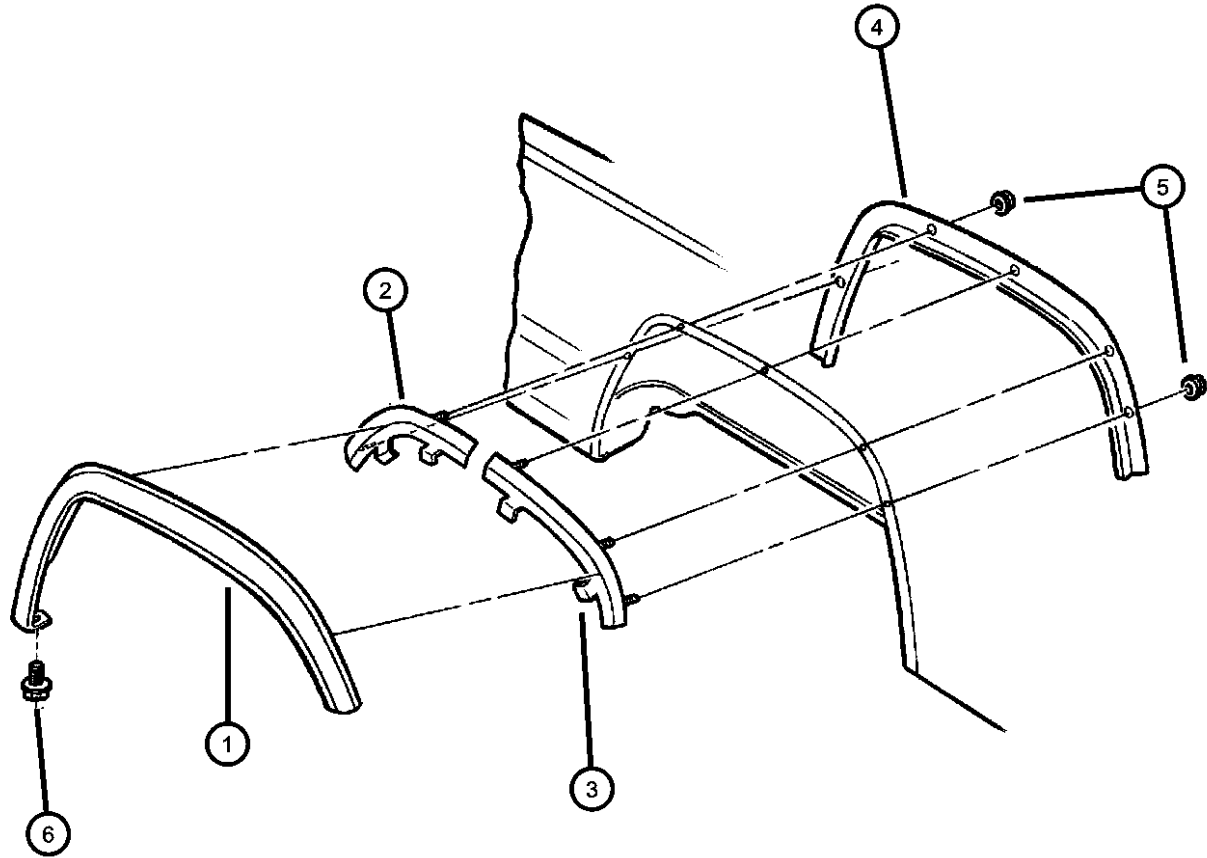
CHEROKEE (XJ)

SERIES	LINE	BODY	ENGINE	TRANSMISSION
H = Sport	T = JEEP - 2WD	74 = 4 Dr (101.4WB)	ENC = ENGINE - 2.5L 4 CYL TURBO DIESEL	DDD = TRANSMISSION - 5-SPEED HD MANUAL
L = SE	B = JEEP - 2WD (RHD)	72 = 2 Dr (101.4WB)	EPE = ENGINE - 2.5L POWER TECH I-4 Cyl.	DDQ = TRANSMISSION - 5-SPEED MANUAL
P = Classic	J = JEEP - 4WD		ERH = ENGINE - 4.0L POWER TECH I-6	DGD = TRANSMISSION - 3-SPD. AUTOMATIC,30RH
S = Limited	U = JEEP - 4WD (RHD)			DGK = TRANSMISSION - 4-SPD. AUTOMATIC,42RE
				DGS = TRANSMISSION-4SPD. AUTO,AISIN WARNER
				DGT = TRANSMISSION - 4-SPD. AUTOMATIC,46RE
				DGW = TRANSMISSION - 4-SPD. AUTOMATIC,44RE
				DGX = TRANSMISSION - 4-SPEED AUTOMATIC
				DBB = ALL MANUAL TRANSMISSIONS
				DGO = ALL AUTOMATIC TRANSMISSIONS

AR = use ase required - = Non illustrated part

**Appliques, Rear Quarter Panel
Figure SXJ-940**

ITEM	PART NUMBER	QTY	LINE	SERIES	BODY	ENGINE	TRANS	TRIM	DESCRIPTION
	55155679AC	1							Left
3									RETAINER, Applique
	55155680AC	1							Right
	55155681AC	1							Left
4									LINER, Fender Side
	55175898	1							Right
	55175899	1							Left
5	J4200408	10							NUT AND WASHER, Hex Nut-Coned Washer, M5 x 0.80
6	00153185	2							SCREW, .164-18x.500



CHEROKEE (XJ)

SERIES

H = Sport
L = SE
P = Classic
S = Limited

LINE

T = JEEP - 2WD
B = JEEP - 2WD (RHD)
J = JEEP - 4WD
U = JEEP - 4WD (RHD)

BODY

74 = 4 Dr (101.4WB)
72 = 2 Dr (101.4WB)

ENGINE

ENC = ENGINE - 2.5L 4 CYL
TURBO DIESEL
EPE = ENGINE - 2.5L POWER
TECH I-4 Cyl.
ERH = ENGINE - 4.0L
POWER TECH I-6

TRANSMISSION

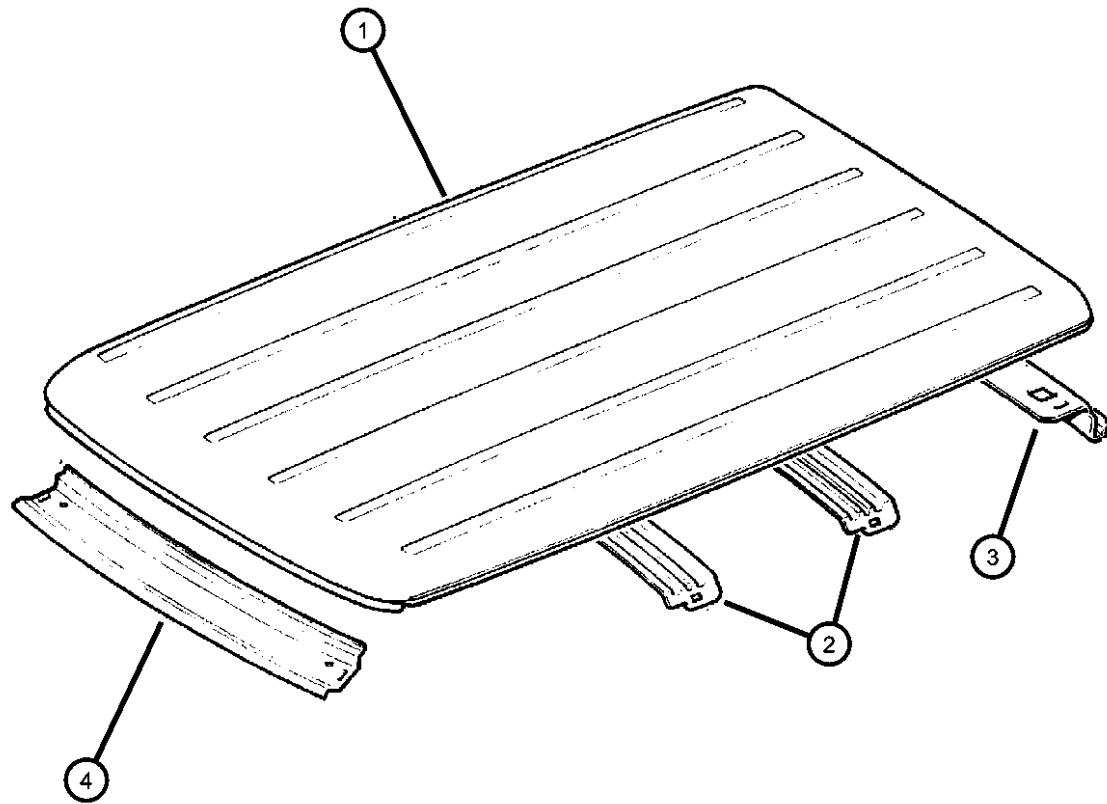
DDD = TRANSMISSION - 5-SPEED
HD MANUAL
DDQ = TRANSMISSION - 5-SPEED
MANUAL
DGD = TRANSMISSION - 3-SPD.
AUTOMATIC,30RH
DGK = TRANSMISSION - 4-SPD.
AUTOMATIC,42RE
DGS = TRANSMISSION-4SPD.
AUTO,AISIN WARNER
DGT = TRANSMISSION - 4-SPD.
AUTOMATIC,46RE
DGW = TRANSMISSION - 4-SPD.
AUTOMATIC,44RE
DGX = TRANSMISSION - 4-SPEED
AUTOMATIC
DBB = ALL MANUAL
TRANSMISSIONS
DGO = ALL AUTOMATIC
TRANSMISSIONS

AR = use ase required - = Non illustrated part

2000 XJ

Roof Panel
Figure SXJ-1110

ITEM	PART NUMBER	QTY	LINE	SERIES	BODY	ENGINE	TRANS	TRIM	DESCRIPTION
1	55175156	1							PANEL, Roof, With or Without Luggage Rack. Only One Roof Used In Production.
2	55000138AB	2							SUPPORT, Roof
3	55176169AE	1							PANEL, Liftgate
4	55235339	1							HEADER, Windshield



CHEROKEE (XJ)

SERIES	LINE
H = Sport	T = JEEP - 2WD
L = SE	B = JEEP - 2WD (RHD)
P = Classic	J = JEEP - 4WD
S = Limited	U = JEEP - 4WD (RHD)

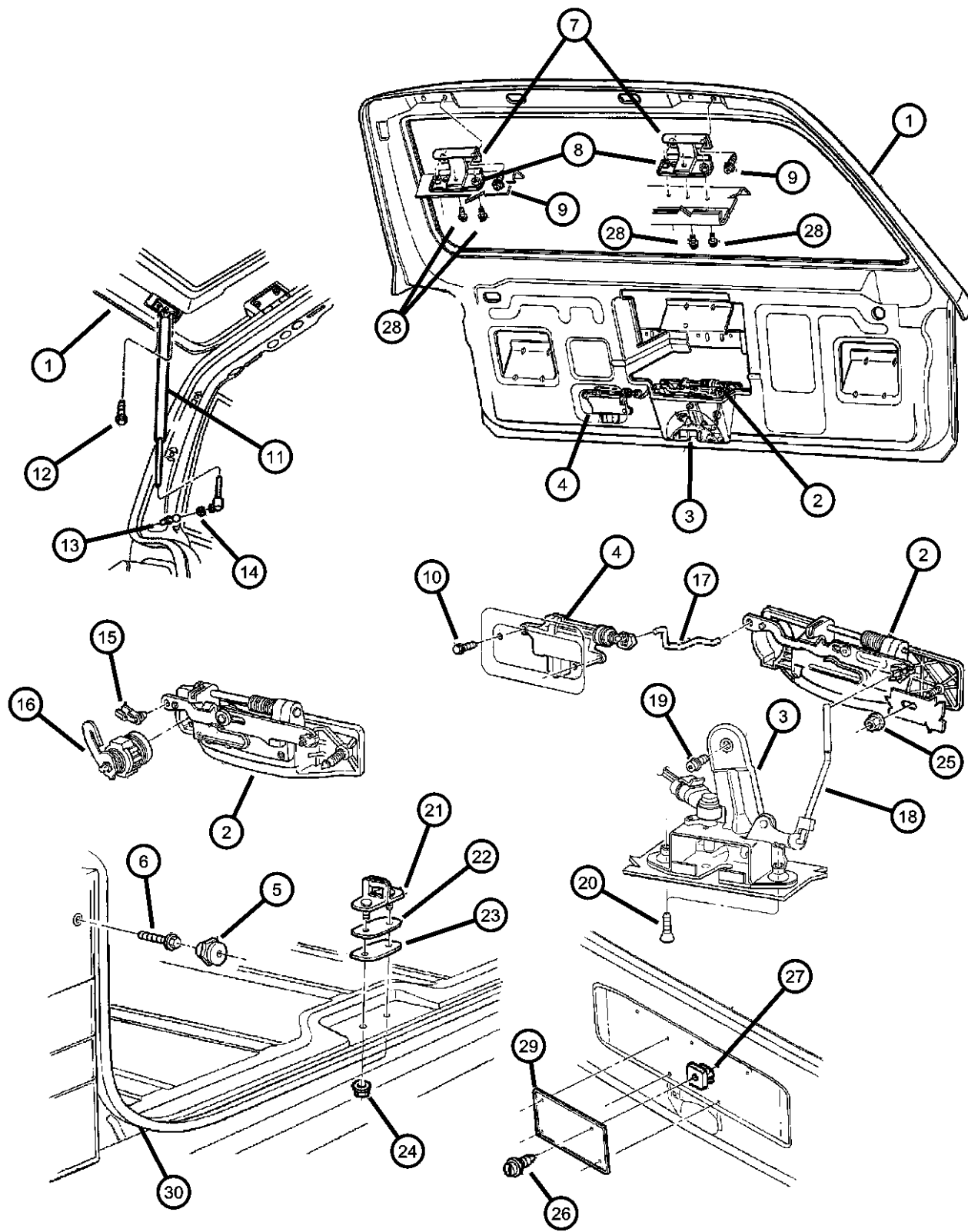
BODY
74 = 4 Dr (101.4WB)
72 = 2 Dr (101.4WB)

ENGINE
ENC = ENGINE - 2.5L 4 CYL TURBO DIESEL
EPE = ENGINE - 2.5L POWER TECH I-4 Cyl.
ERH = ENGINE - 4.0L POWER TECH I-6

TRANSMISSION
DDD = TRANSMISSION - 5-SPEED HD MANUAL
DDQ = TRANSMISSION - 5-SPEED MANUAL
DGD = TRANSMISSION - 3-SPD. AUTOMATIC,30RH
DGK = TRANSMISSION - 4-SPD. AUTOMATIC,42RE
DGS = TRANSMISSION-4SPD. AUTO,AISIN WARNER
DGT = TRANSMISSION - 4-SPD. AUTOMATIC,46RE
DGW = TRANSMISSION - 4-SPD. AUTOMATIC,44RE
DGX = TRANSMISSION - 4-SPEED AUTOMATIC
DBB = ALL MANUAL TRANSMISSIONS
DGO = ALL AUTOMATIC TRANSMISSIONS

AR = use ase required - = Non illustrated part

Lift Door, Latch and Hinges
Figure SXJ-1310

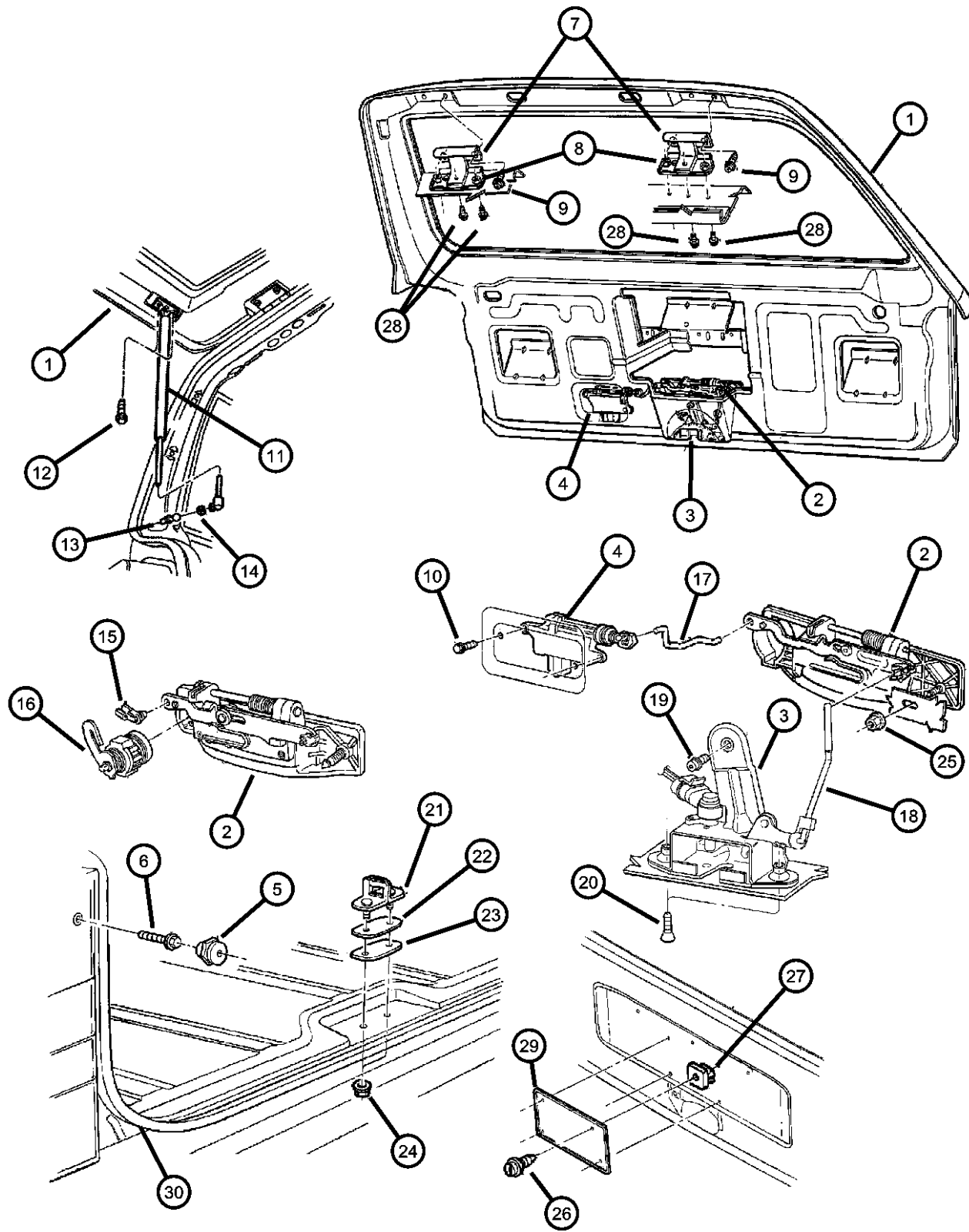


ITEM	PART NUMBER	QTY	LINE	SERIES	BODY	ENGINE	TRANS	TRIM	DESCRIPTION
1	55174895AF	1							LIFTGATE
2	55076016AE	1							HANDLE, Liftgate
3	55235643AB	1							LATCH, Liftgate
4	55295716AB	1							ACTUATOR, Liftgate Lock
5	55254847	2							BUMPER, Liftgate
6	06035646	2							BOLT, Hex Head, .312-18
7	55076225AC	2							HINGE, Liftgate
8	55235699	2							SEAL, Hinge
9	06503757	4							SCREW AND WASHER, Hex Head, M8-1.25x22.00
10	06503757	4							SCREW, [.250-14x.750], (NOT SERVICED)
11	55076208	2							PROP, Liftgate
	G0004291								Mopar V-Line Alternative Part
12	55076208	2							SCREW, M6x1.00x20, (NOT SERVICED)
13	55075205AB	2							BALL STUD, Liftgate Glass
14	55075205AB	2							WASHER, (NOT SERVICED)
15	04658677	1							CLIP, Latch Link
16	04658677	1							LOCK CYLINDER, Decklid, See Group 23c, (NOT SERVICED)
17	55076377	1							LINK, Latch Locking
18	55075860	1							ROD, Liftgate Handle to Latch
19	06503154	1							SCREW AND WASHER, Round Head, M8x1.25x20
20	06502623	2							SCREW, Flat Head, M8x1.25x23
21	55296077	1							STRIKER, Door Latch
22	55235844AA	AR							STRIKER, Seal Plate

CHEROKEE (XJ)				
SERIES	LINE	BODY	ENGINE	TRANSMISSION
H = Sport	T = JEEP - 2WD	74 = 4 Dr (101.4WB)	ENC = ENGINE - 2.5L 4 CYL TURBO DIESEL	DDD = TRANSMISSION - 5-SPEED HD MANUAL
L = SE	B = JEEP - 2WD (RHD)	72 = 2 Dr (101.4WB)	EPE = ENGINE - 2.5L POWER TECH I-4 Cyl.	DDQ = TRANSMISSION - 5-SPEED MANUAL
P = Classic	J = JEEP - 4WD		ERH = ENGINE - 4.0L POWER TECH I-6	DGD = TRANSMISSION - 3-SPD. AUTOMATIC,30RH
S = Limited	U = JEEP - 4WD (RHD)			DGK = TRANSMISSION - 4-SPD. AUTOMATIC,42RE
				DGS = TRANSMISSION-4SPD. AUTO,AISIN WARNER
				DGT = TRANSMISSION - 4-SPD. AUTOMATIC,46RE
				DGW = TRANSMISSION - 4-SPD. AUTOMATIC,44RE
				DGX = TRANSMISSION - 4-SPEED AUTOMATIC
				DBB = ALL MANUAL TRANSMISSIONS
				DGO = ALL AUTOMATIC TRANSMISSIONS

AR = use ase required - = Non illustrated part

Lift Door, Latch and Hinges
Figure SXJ-1310



ITEM	PART NUMBER	QTY	LINE	SERIES	BODY	ENGINE	TRANS	TRIM	DESCRIPTION
23	55235842AA	1							STRIKER, Seal Plate
24	06101761	2							NUT, Coned Washer, M10 x 1.50
25	06501730	1							NUT, Retainer, M6 x 1.00
26	06502407	4							SCREW AND WASHER, Hex Head, M6x1x20
27	06502407	4							NUT, (NOT SERVICED)
28	06506458AA	4							SCREW AND WASHER, Hex Head, M8x1.25x25
29	06506458AA	4							LICENSE PLATE KIT, (NOT SERVICED)
30	55175354AE	1							WEATHERSEAL, Full Door To Body

CHEROKEE (XJ)

SERIES	LINE
H = Sport	T = JEEP - 2WD
L = SE	B = JEEP - 2WD (RHD)
P = Classic	J = JEEP - 4WD
S = Limited	U = JEEP - 4WD (RHD)

BODY
74 = 4 Dr (101.4WB)
72 = 2 Dr (101.4WB)

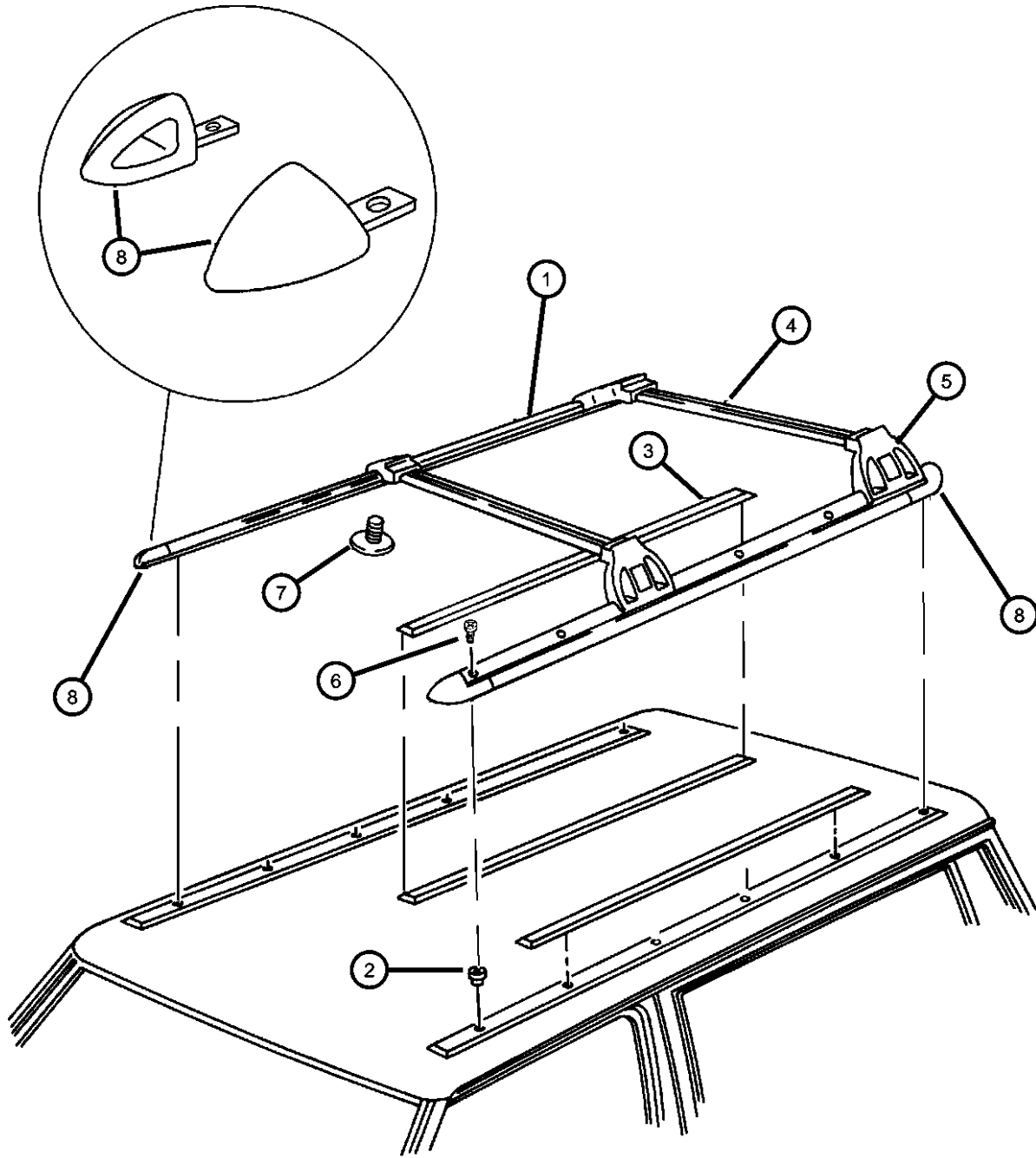
ENGINE	TRANSMISSION
ENC = ENGINE - 2.5L 4 CYL TURBO DIESEL	DDD = TRANSMISSION - 5-SPEED HD MANUAL
EPE = ENGINE - 2.5L POWER TECH I-4 Cyl.	DDQ = TRANSMISSION - 5-SPEED MANUAL
ERH = ENGINE - 4.0L POWER TECH I-6	DGD = TRANSMISSION - 3-SPD. AUTOMATIC,30RH
	DGK = TRANSMISSION - 4-SPD. AUTOMATIC,42RE
	DGS = TRANSMISSION-4SPD. AUTO,AISIN WARNER
	DGT = TRANSMISSION - 4-SPD. AUTOMATIC,46RE
	DGW = TRANSMISSION - 4-SPD. AUTOMATIC,44RE
	DGX = TRANSMISSION - 4-SPEED AUTOMATIC
	DBB = ALL MANUAL TRANSMISSIONS
	DGO = ALL AUTOMATIC TRANSMISSIONS

AR = use ase required - = Non illustrated part

2000 XJ

**Rack, Roof Luggage
Figure SXJ-1610**

ITEM	PART NUMBER	QTY	LINE	SERIES	BODY	ENGINE	TRANS	TRIM	DESCRIPTION
1	55235979AA	2							RAIL, Luggage Rack Side
2	06503910	12							NUT
3	55075106AB	4							SKID STRIP, Roof Rack
4	55235978AA	2							CROSS BAR, Roof Rack
5									STANCHION, LUGG RACK CROSS RAIL
	55076028AB	2							Right
	55076029AB	2							Left
6	06505937AA	10							SCREW, Pan Head
7	06035499	4							SCREW, Pan Head Tapping, .242-10x.625
8									CAP, Side Rail
	55236002AA	2							Right
	55236003AA	2							Left



CHEROKEE (XJ)

SERIES LINE
H = Sport T = JEEP - 2WD
L = SE B = JEEP - 2WD (RHD)
P = Classic J = JEEP - 4WD
S = Limited U = JEEP - 4WD (RHD)

BODY
74 = 4 Dr (101.4WB)
72 = 2 Dr (101.4WB)

ENGINE
ENC = ENGINE - 2.5L 4 CYL
TURBO DIESEL
EPE = ENGINE - 2.5L POWER
TECH I-4 Cyl.
ERH = ENGINE - 4.0L
POWER TECH I-6

TRANSMISSION
DDD = TRANSMISSION - 5-SPEED
HD MANUAL
DDQ = TRANSMISSION - 5-SPEED
MANUAL
DGD = TRANSMISSION - 3-SPD.
AUTOMATIC,30RH
DGK = TRANSMISSION - 4-SPD.
AUTOMATIC,42RE
DGS = TRANSMISSION-4SPD.
AUTO,AISIN WARNER
DGT = TRANSMISSION - 4-SPD.
AUTOMATIC,46RE
DGW = TRANSMISSION - 4-SPD.
AUTOMATIC,44RE
DGX = TRANSMISSION - 4-SPEED
AUTOMATIC
DBB = ALL MANUAL
TRANSMISSIONS
DGO = ALL AUTOMATIC
TRANSMISSIONS

AR = use ase required - = Non illustrated part

2000 XJ